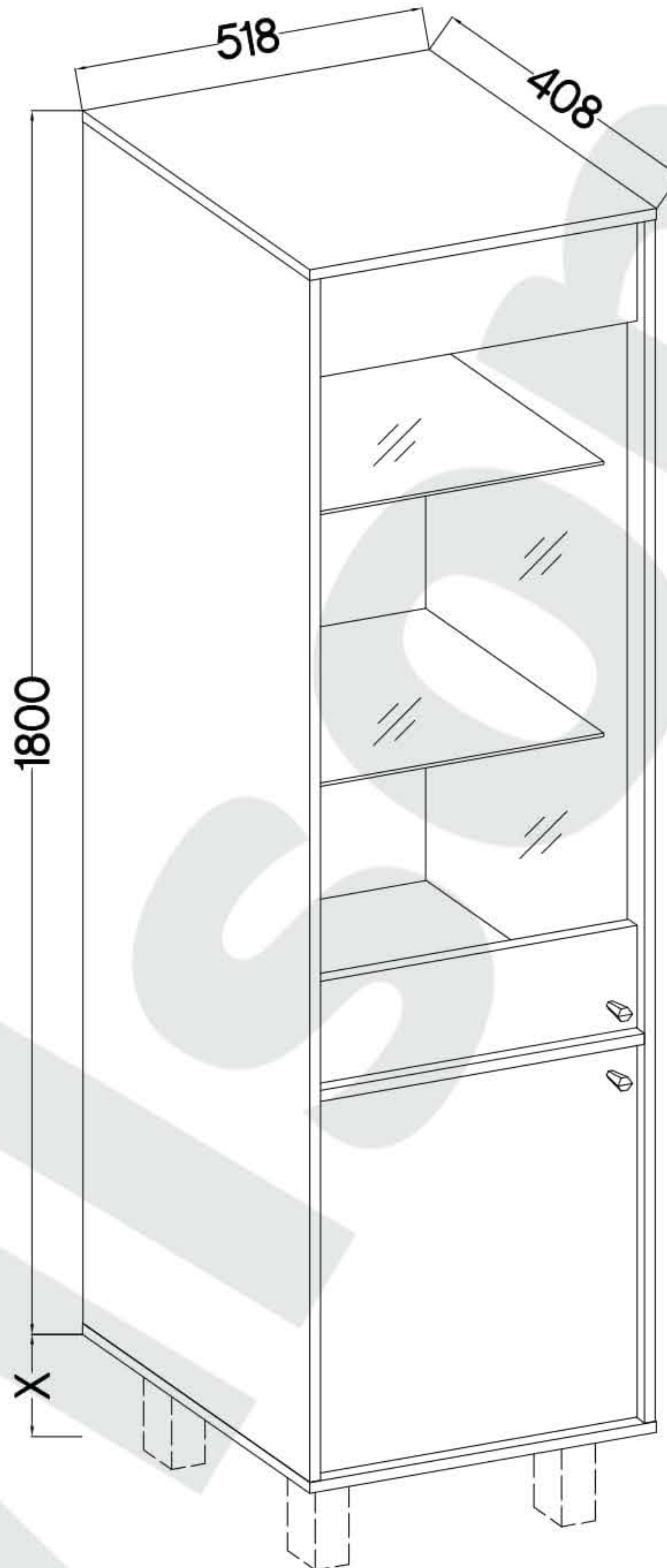


TYP 101

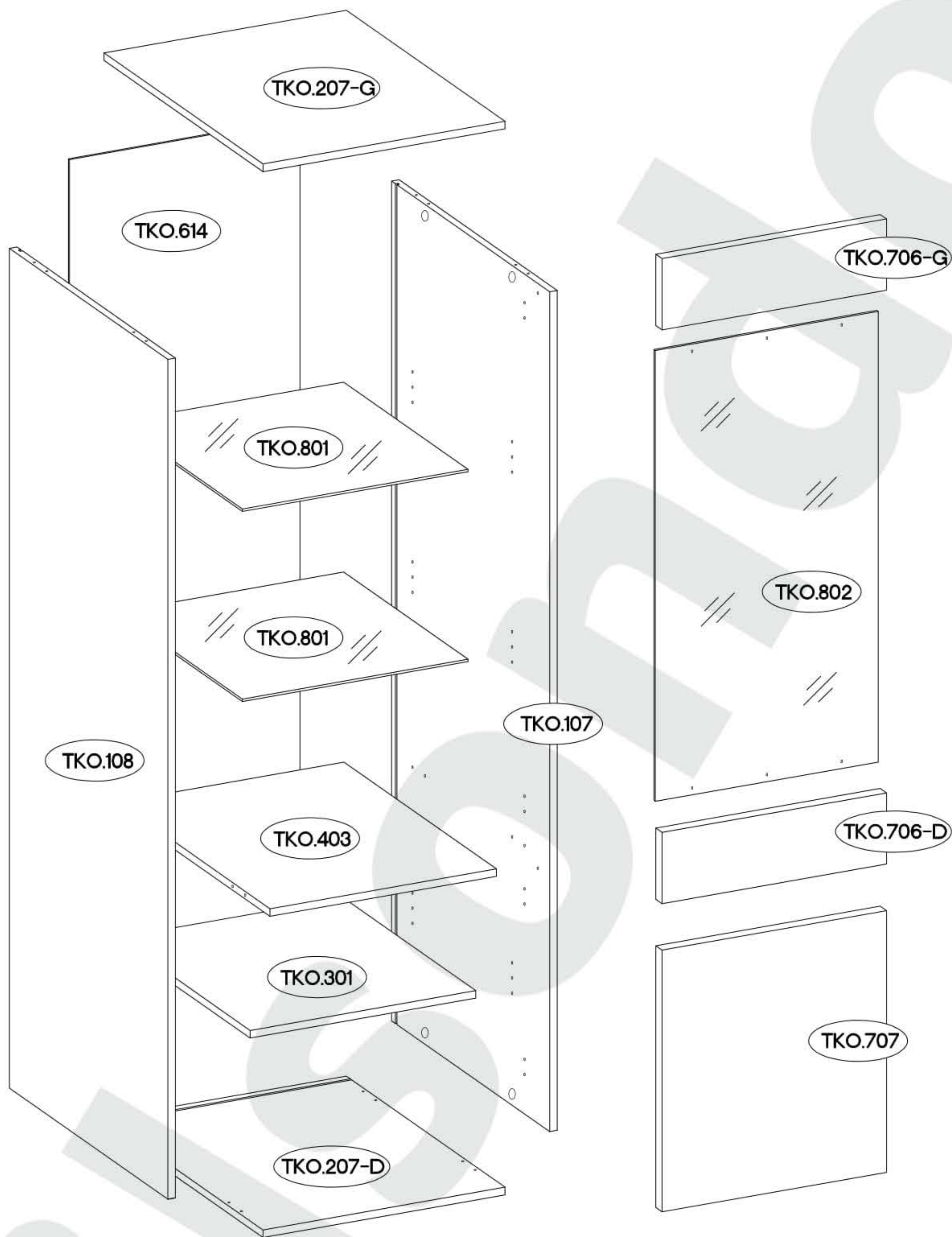


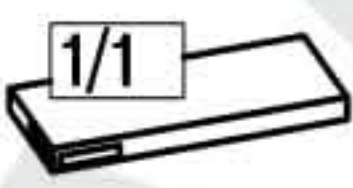
 †8x30mm A 12	 †15/12mm C 12	 L=20mm D2 12
 †7/4mm J7 6	 †7/4mm J12 10	 L 16

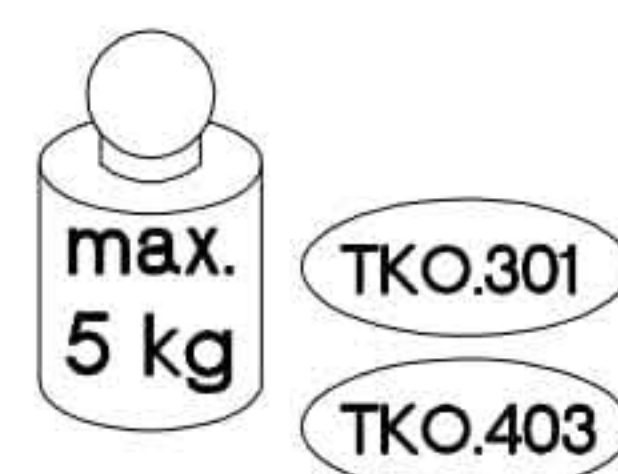
 75x30x15mm L19 1	 †10x50mm O7 1	 †3.5x13mm P5 10	 †5.0x60mm P12 1	 †3.0x20mm P7 4	 †4.0x16mm R11 6	 M4x22mm S 2	 M4x22mm U 2
--	---------------------------------------	---	---	--	---	-------------------------------------	-------------------------------------

 †20 E11 12	 †35/16mm HG2 4	 †5/16mm J3 4
------------------------------------	--	--------------------------------------




ISM-TKO-006

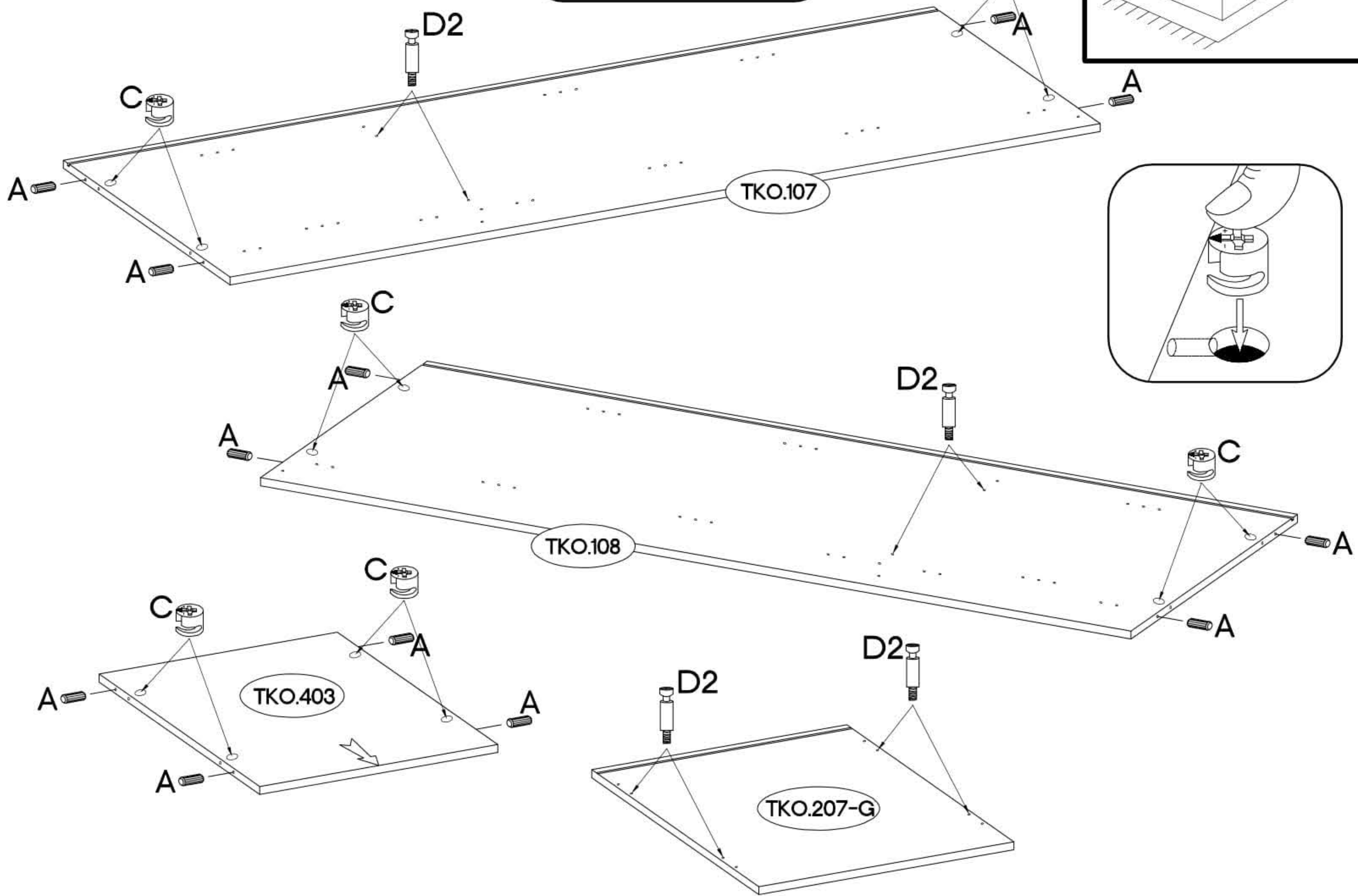
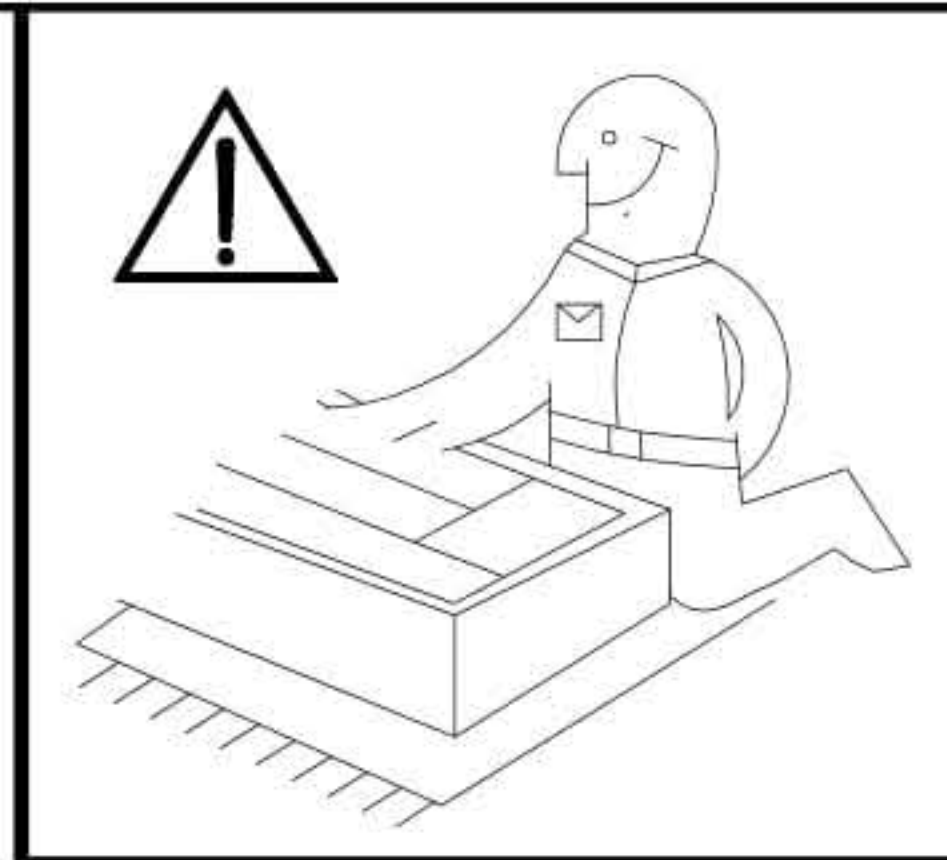
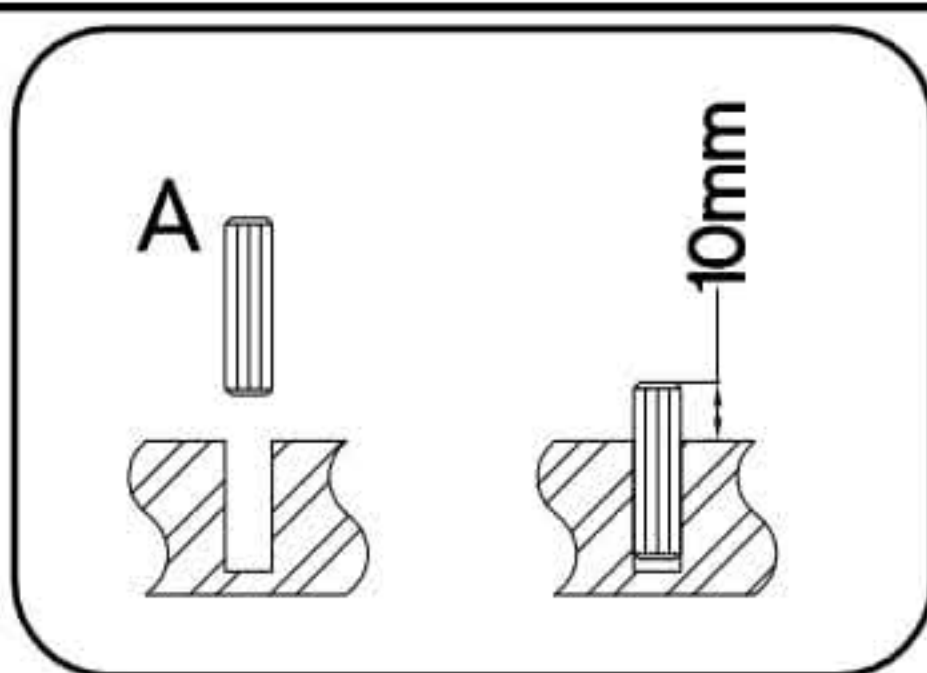


	Ersatzteil Nummer	Dimension
	TKO.107	1768x407x16
	TKO.108	1768x407x16
	TKO.207 x2	518x408x16
	TKO.403	484x392x16
	TKO.301	383x340x16
	TKO.614	1777x493x2,5
	TKO.801 x2	483x320x5
	TKO.802	949x477x4
	TKO.706 x2	150x480x16
	TKO.707	551x480x16



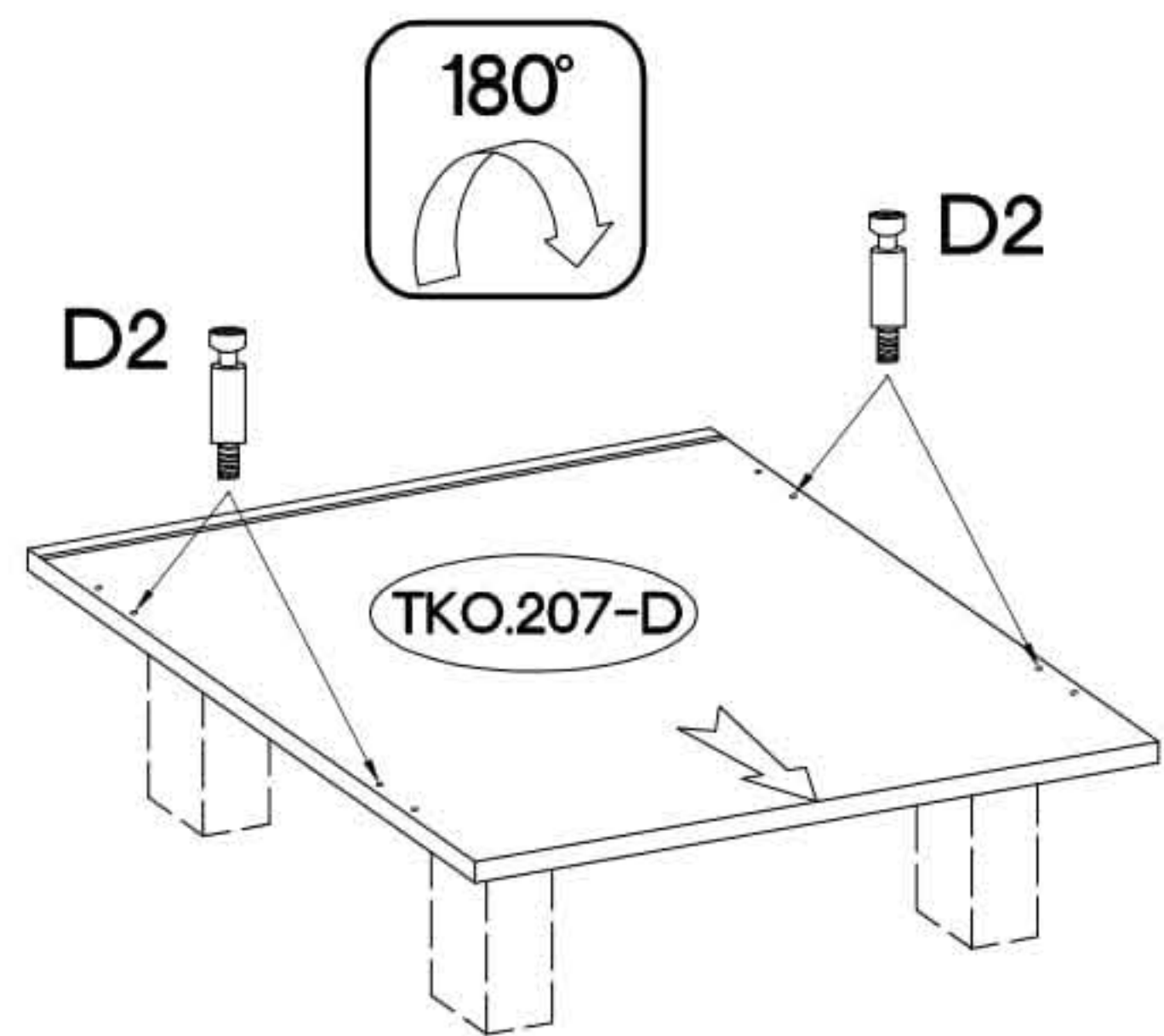
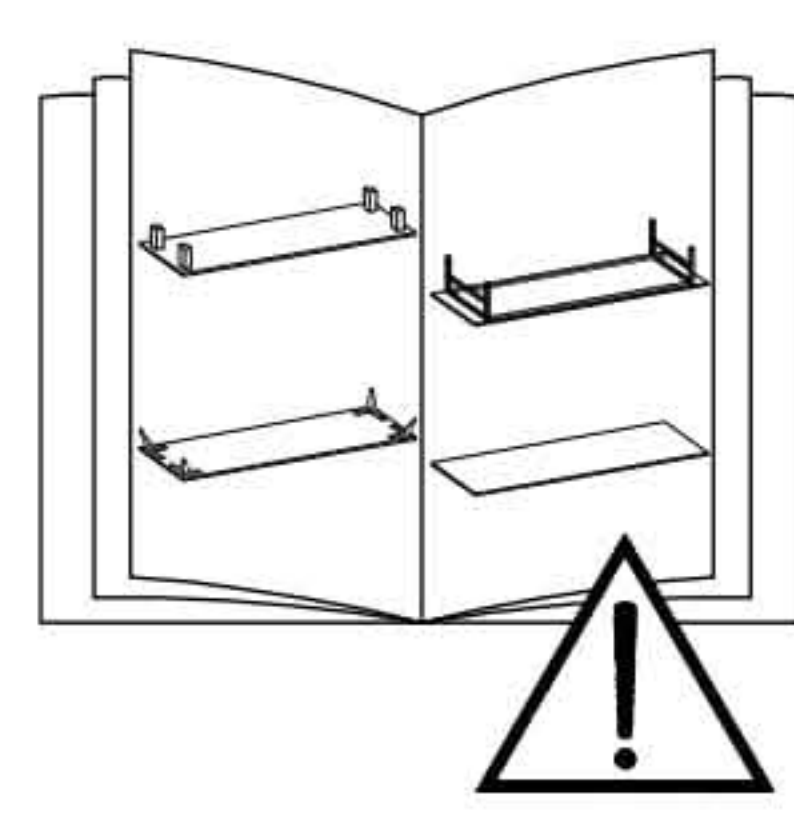
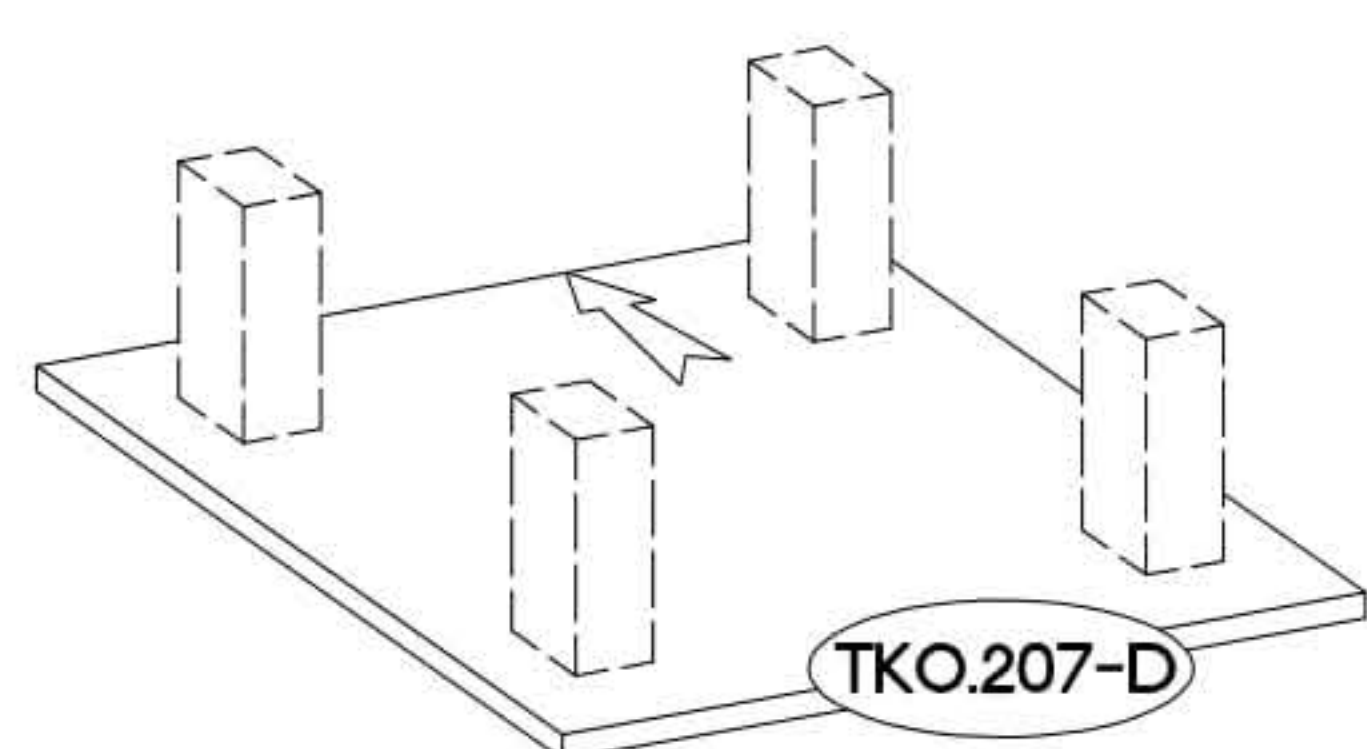
1

 †8x30mm A 12	 †15/12mm C 12	 L=20mm D2 8
--	---	---

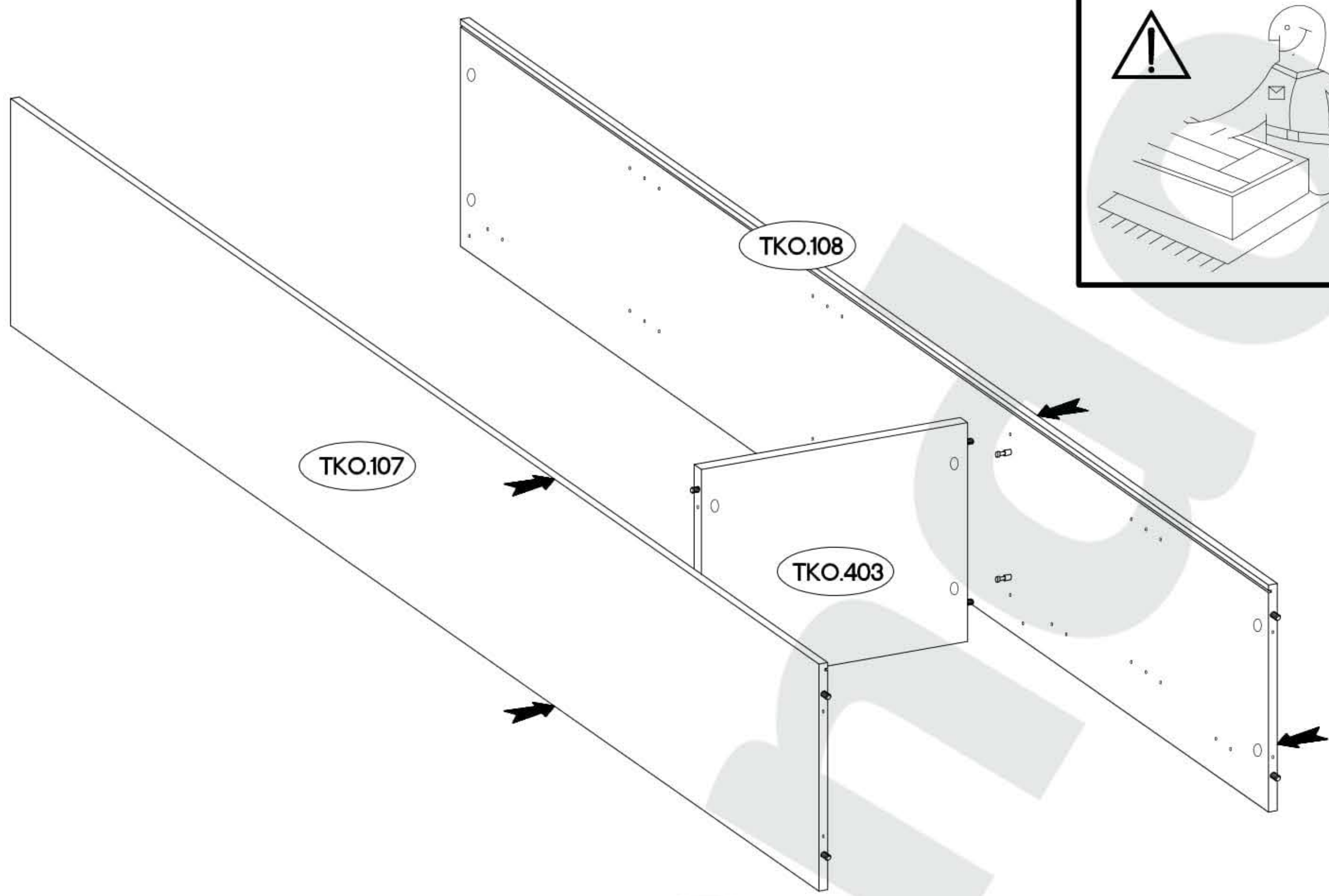


2

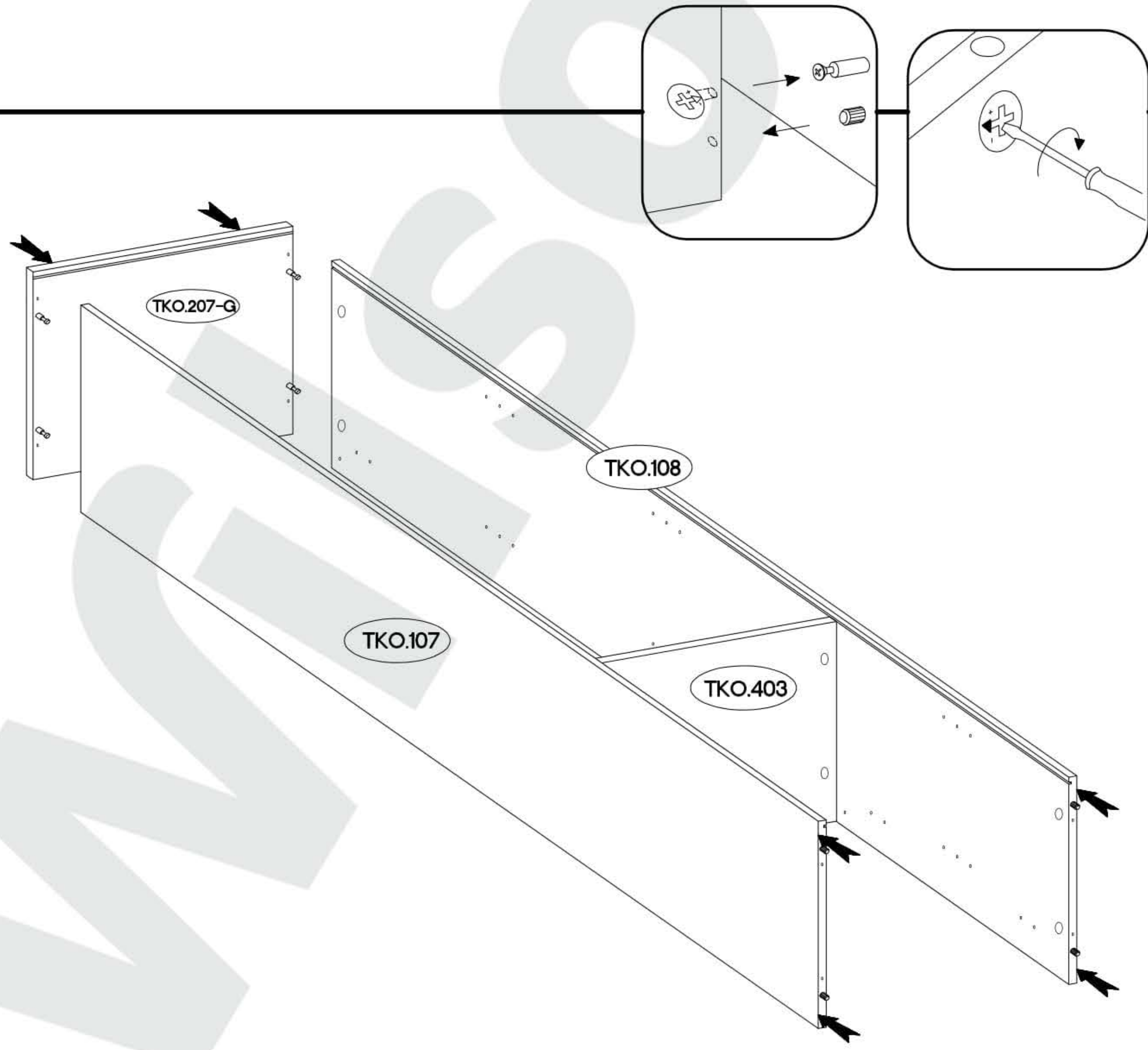
 L=20mm D2 4
--



3



4



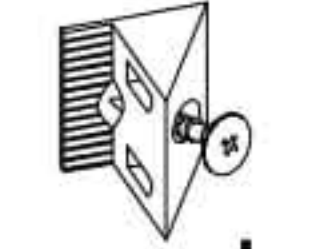
5

±3.0x20mm



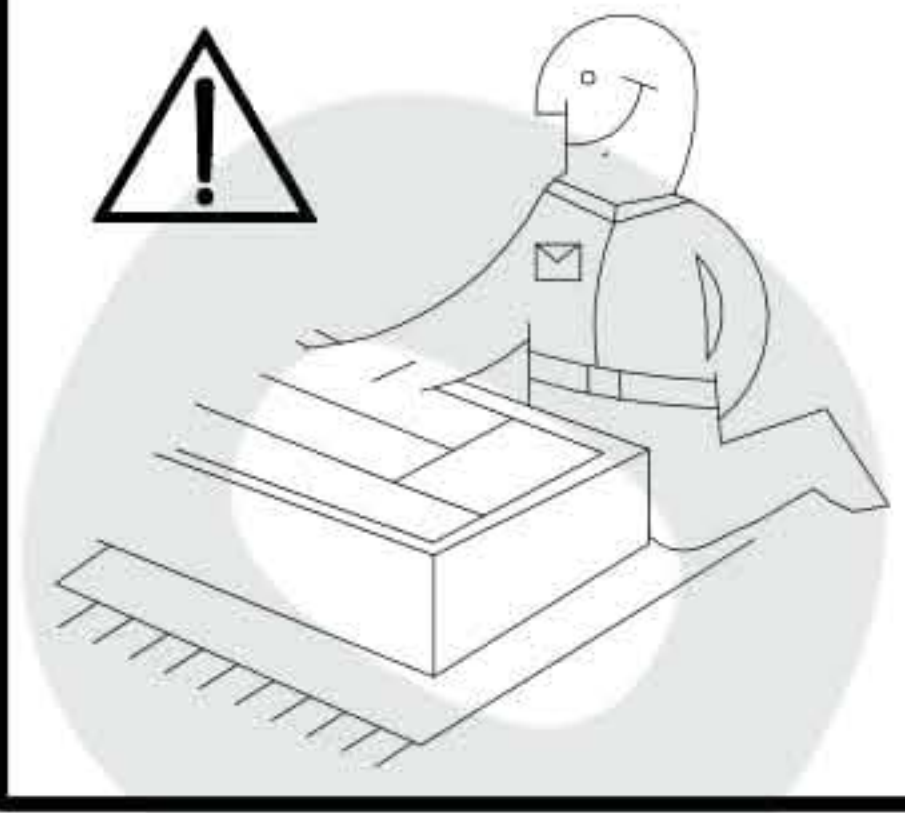
P7

4

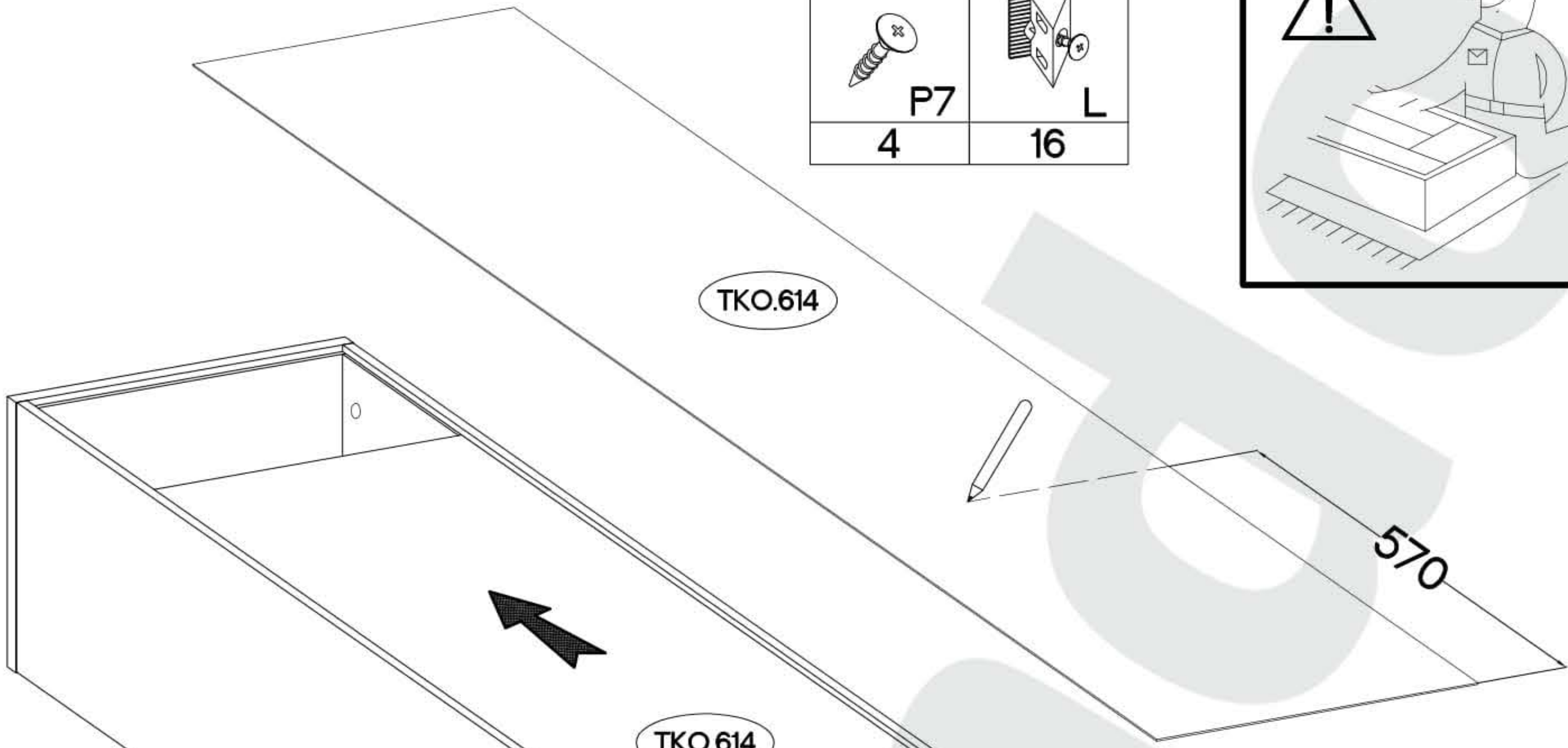


L

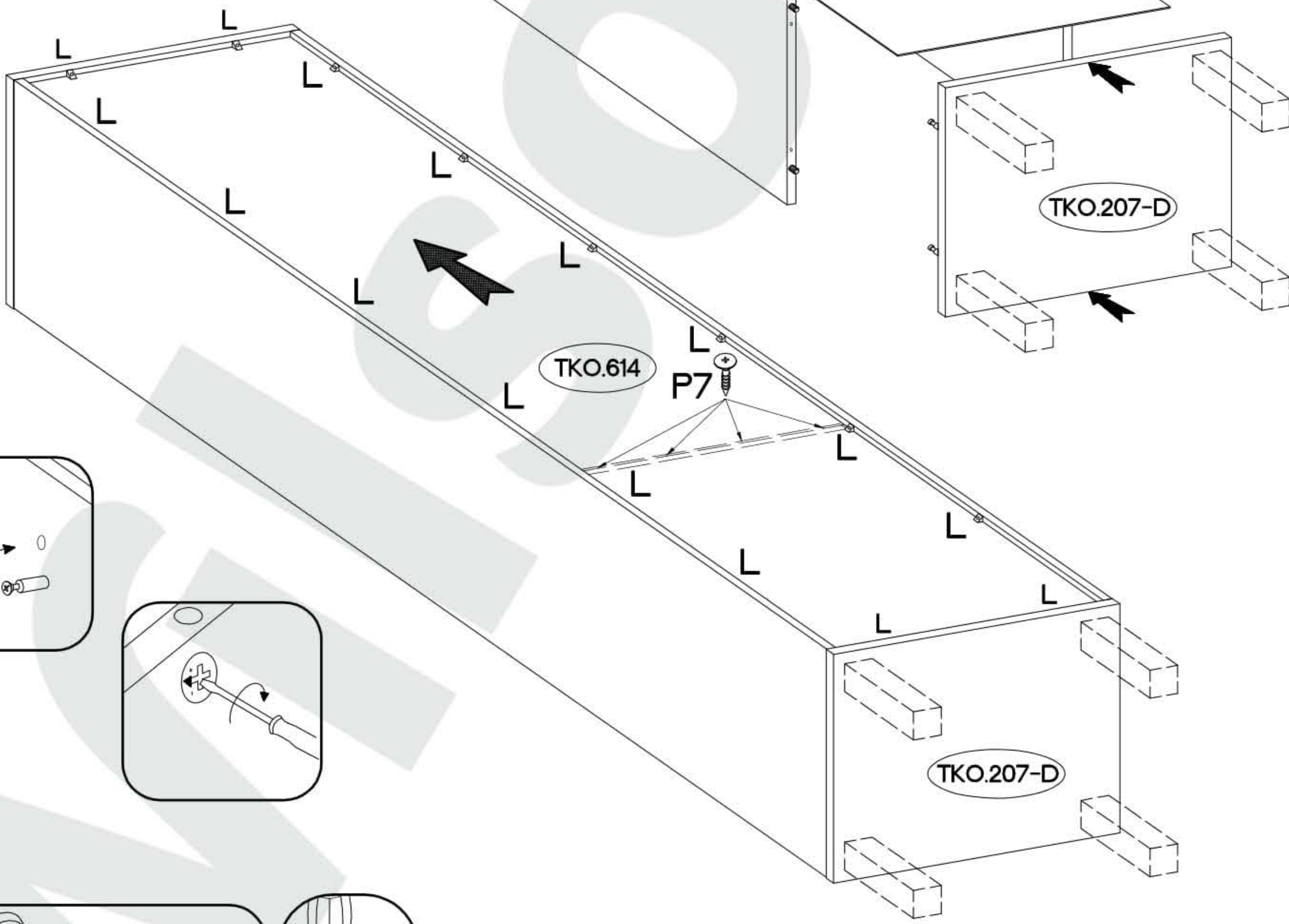
16



TKO.614



TKO.614

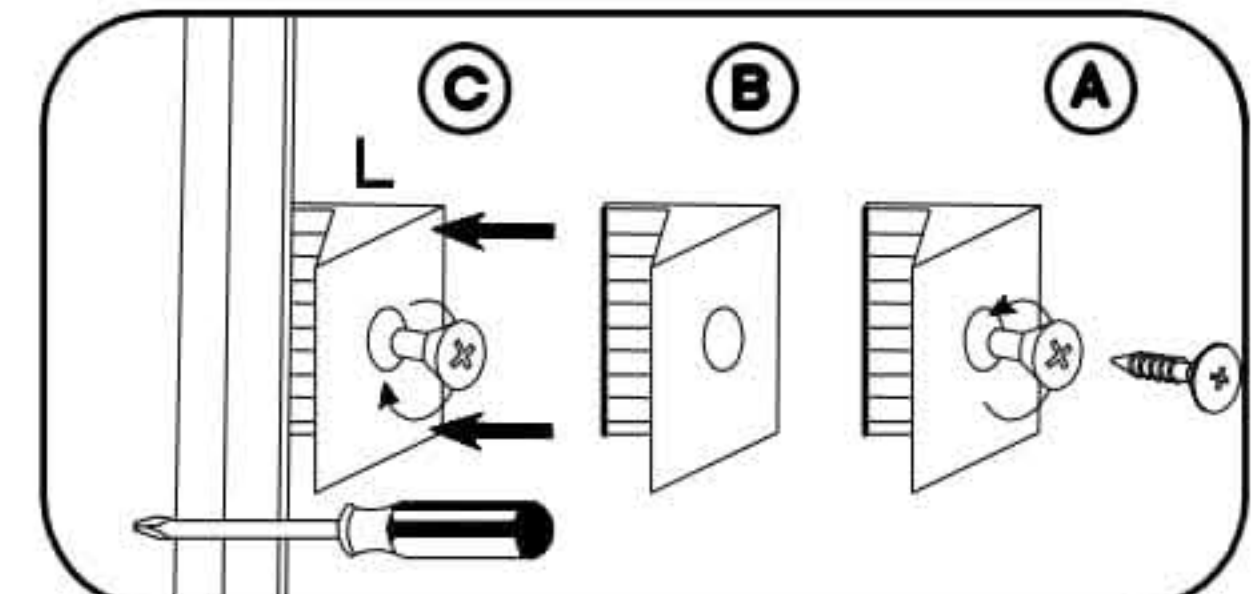
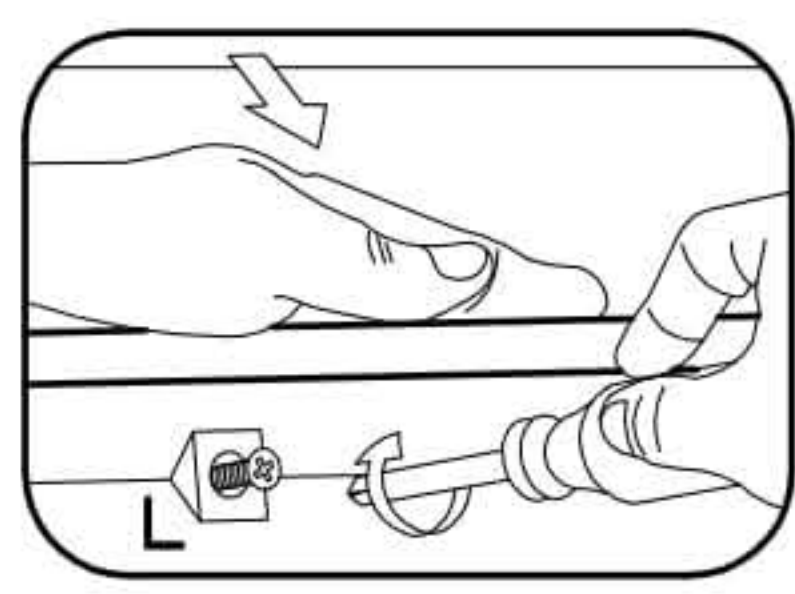
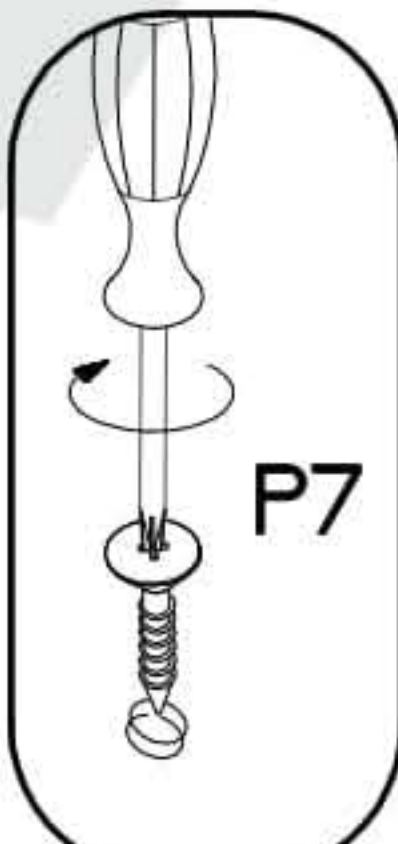
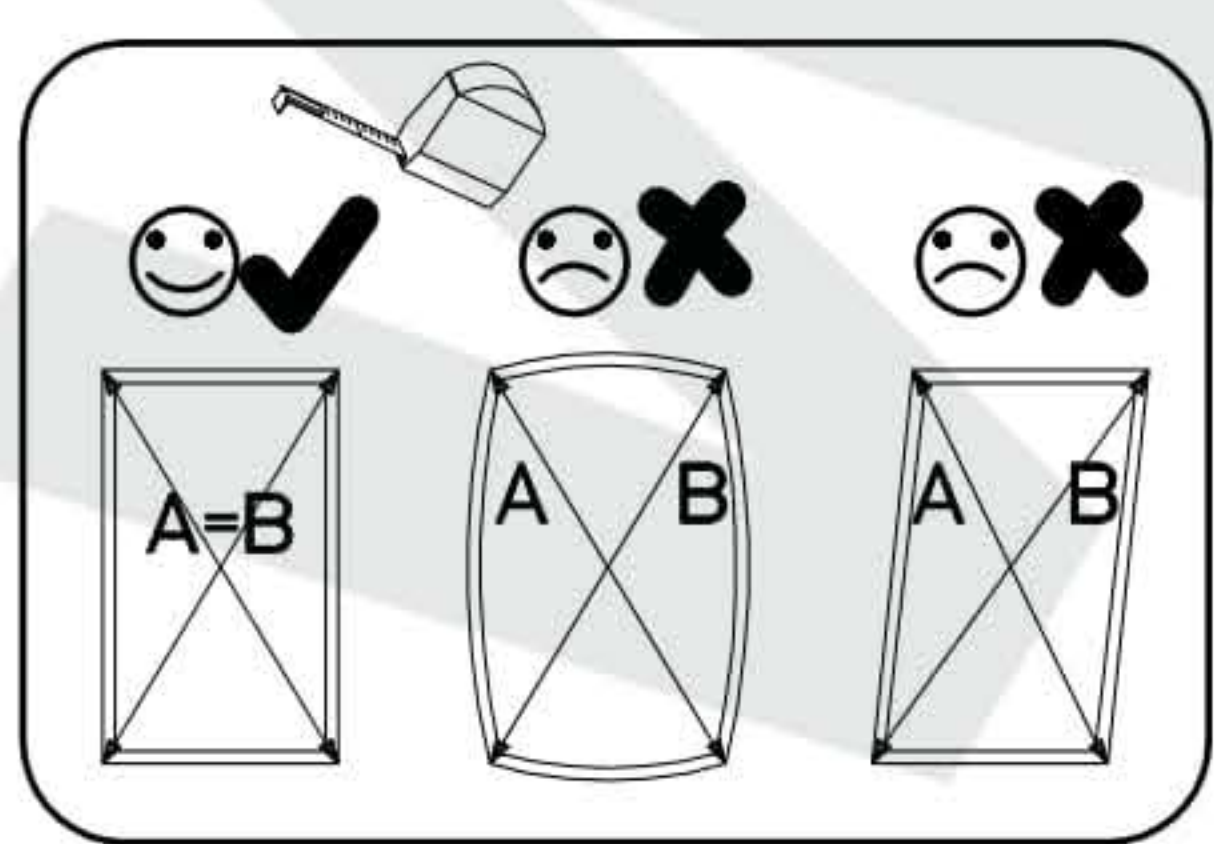
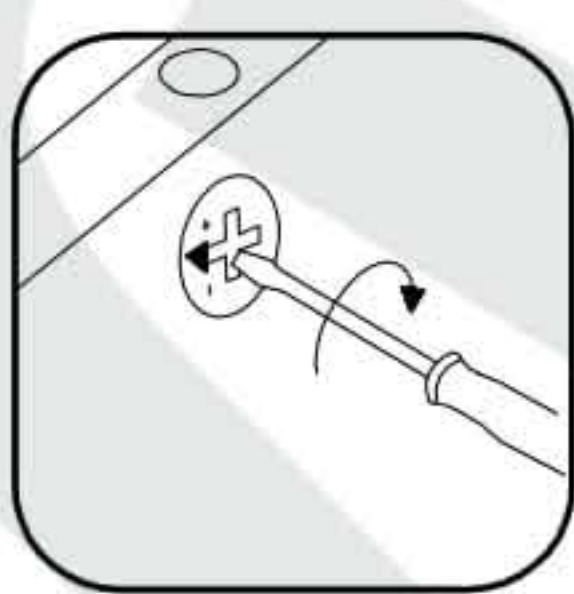
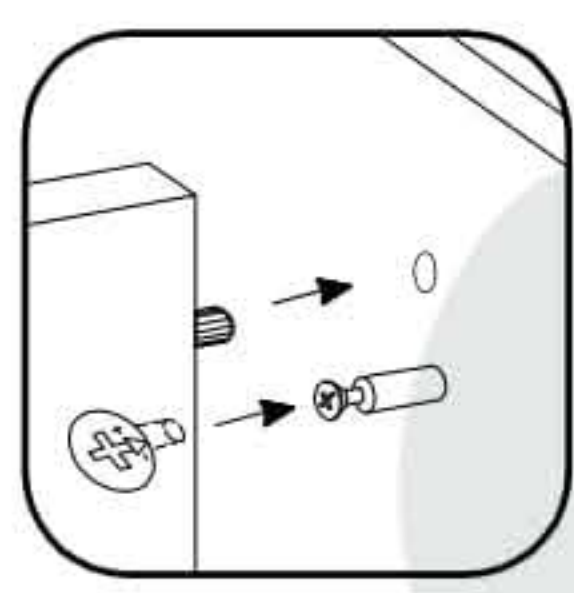






TKO.207-D

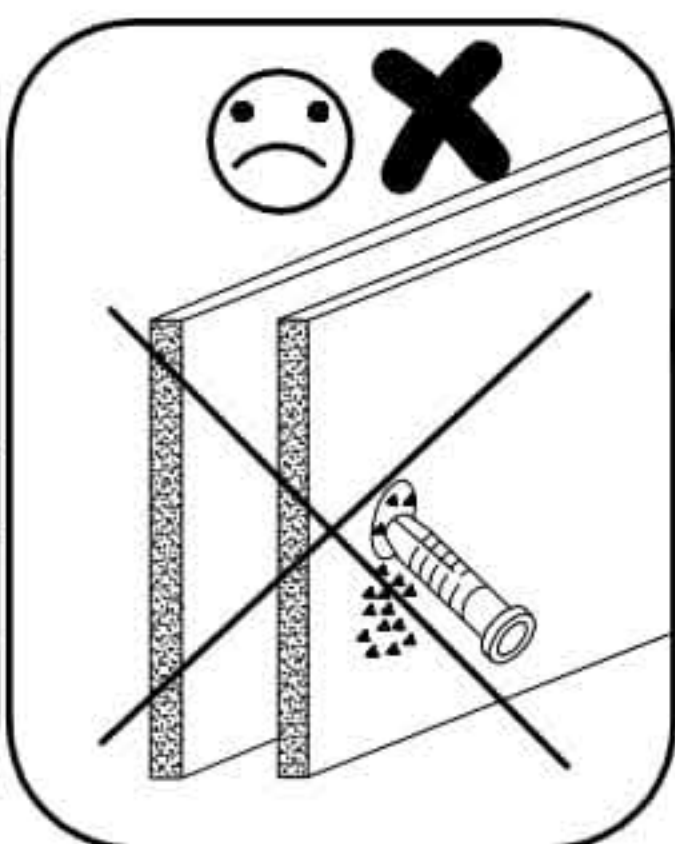
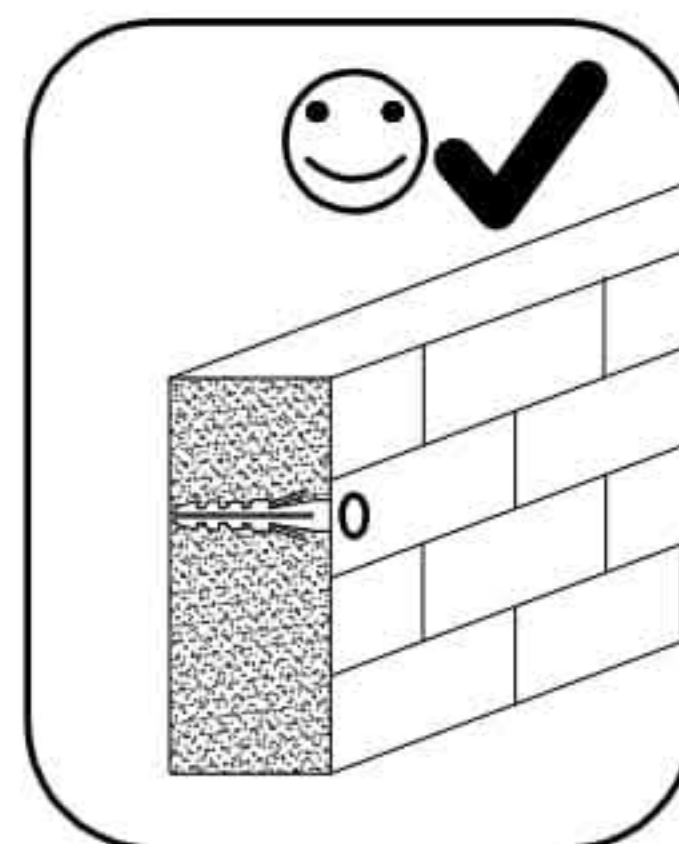
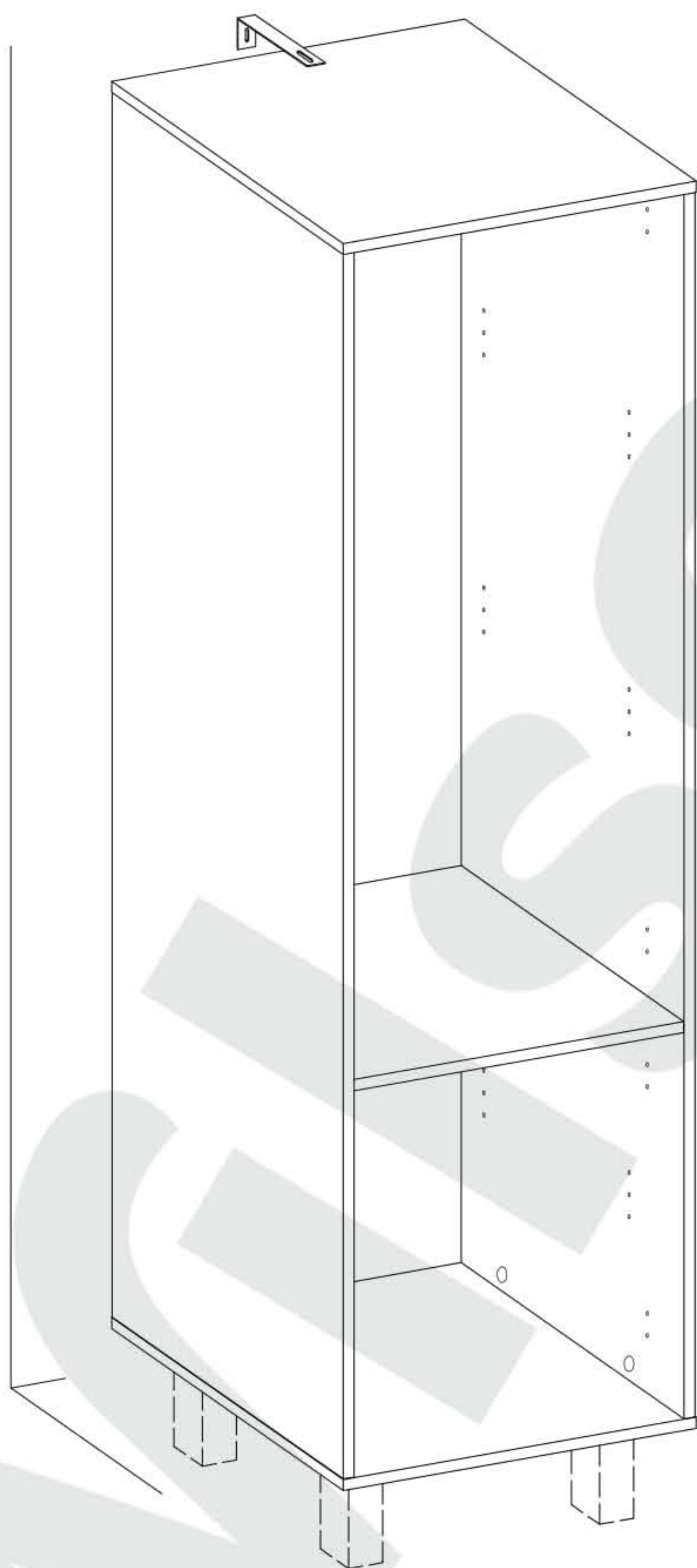
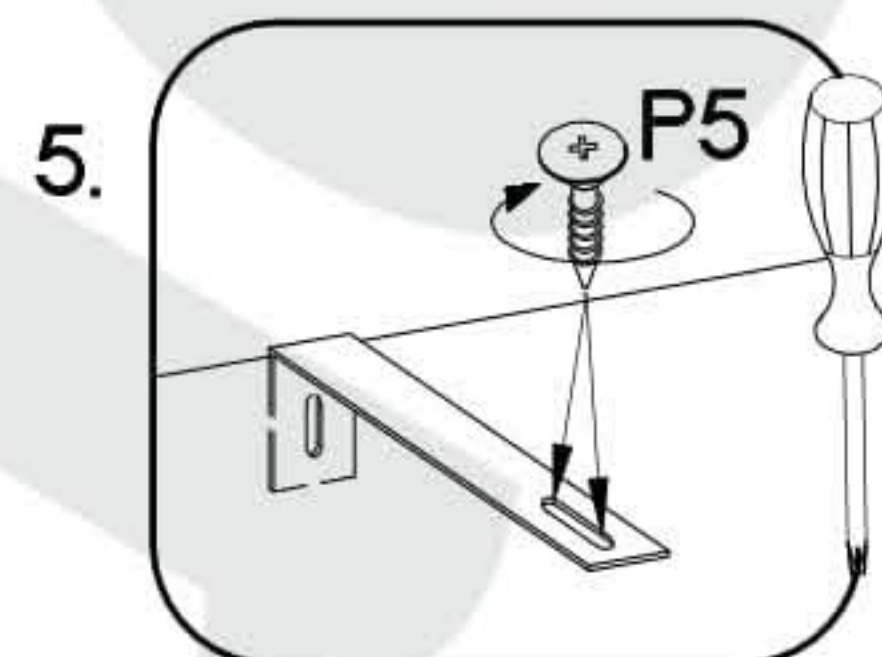
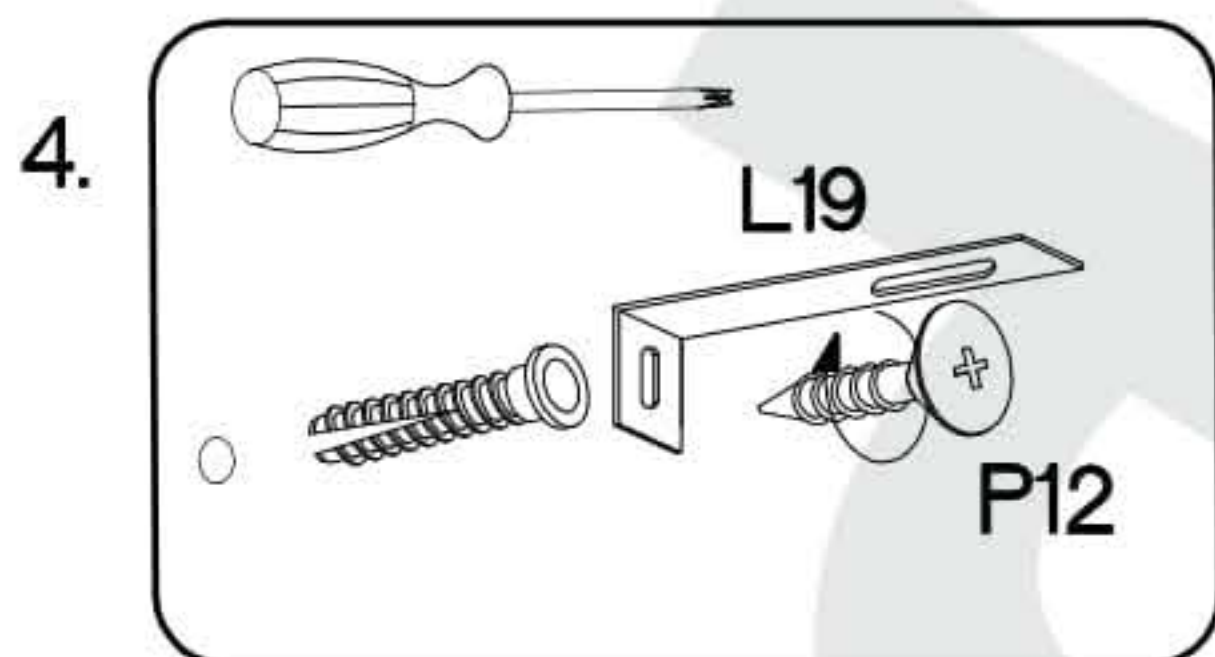
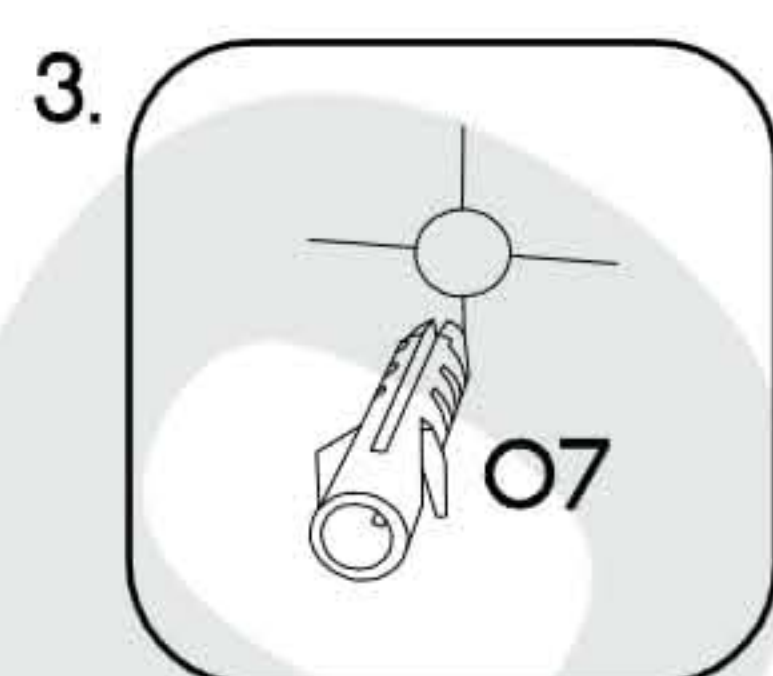
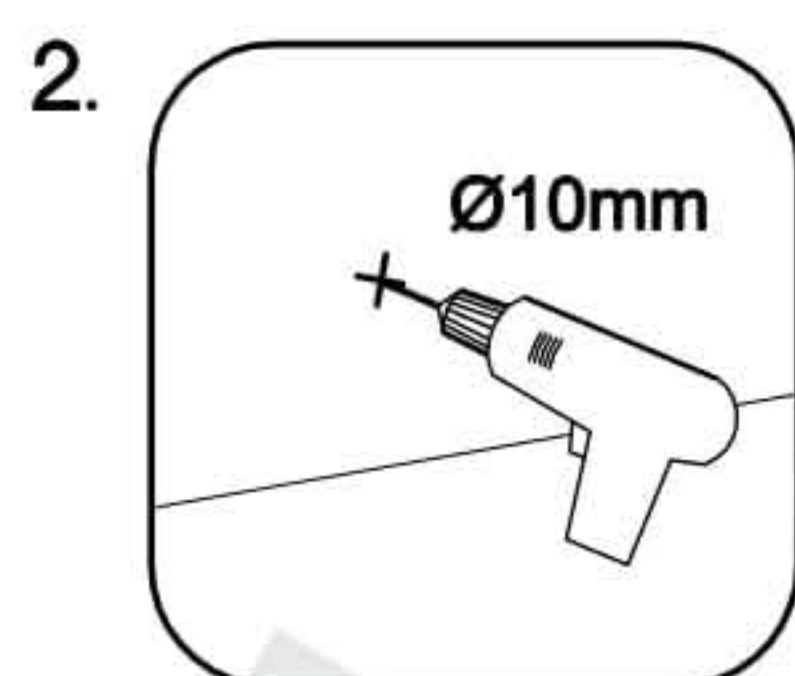
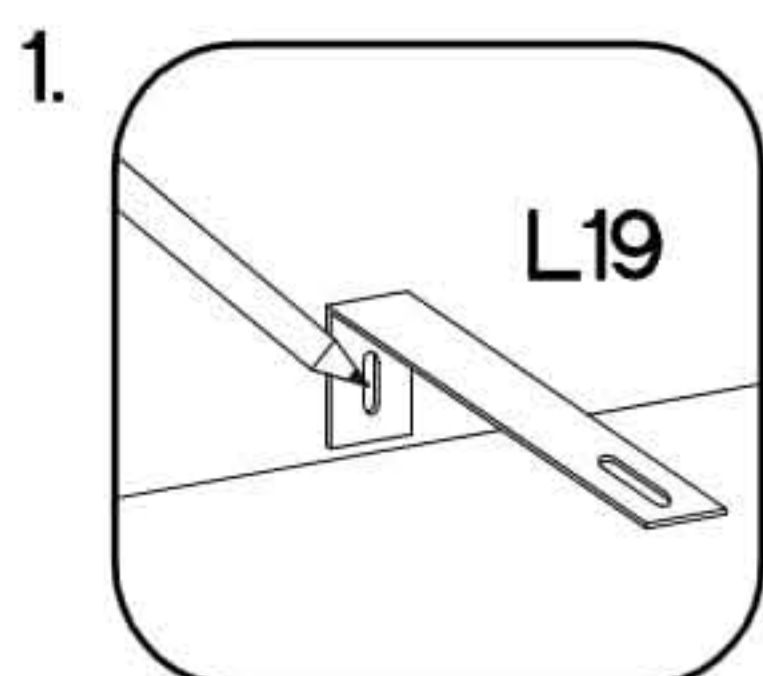
TKO.614



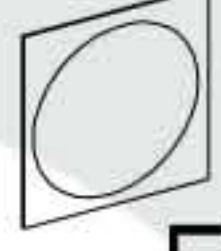
P7

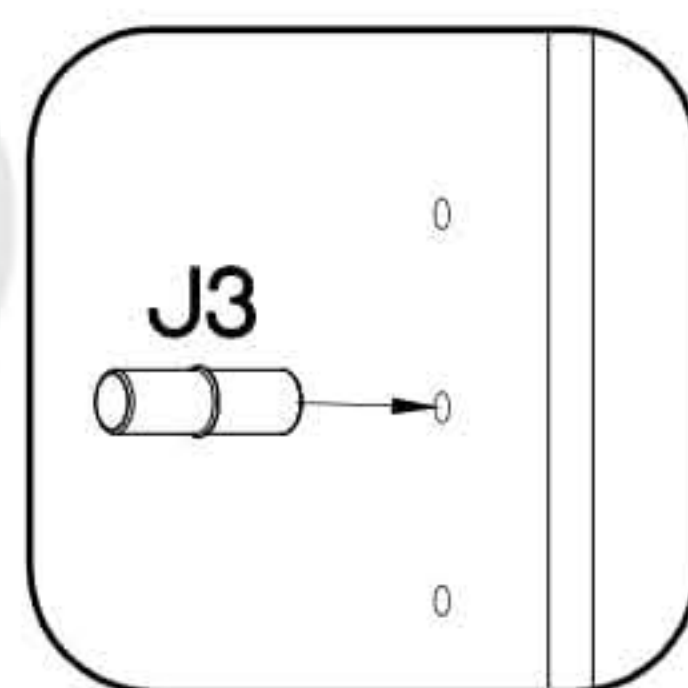
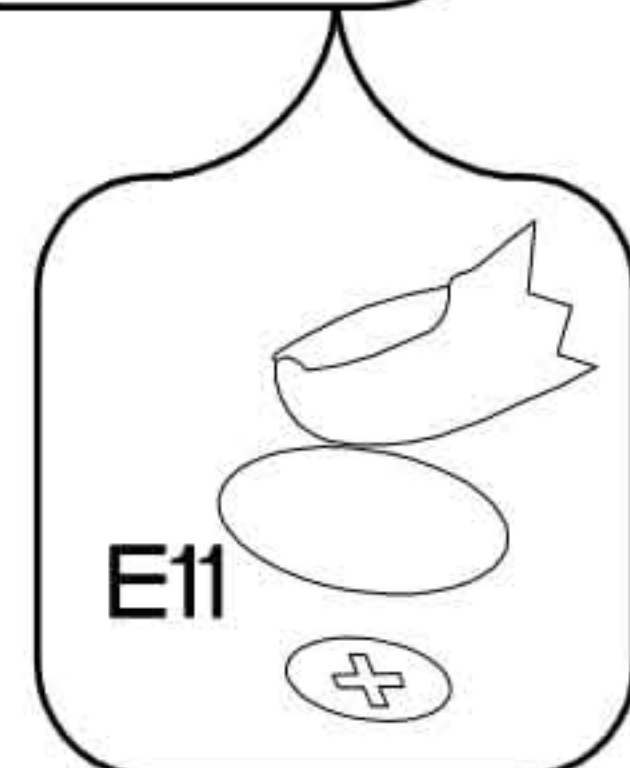
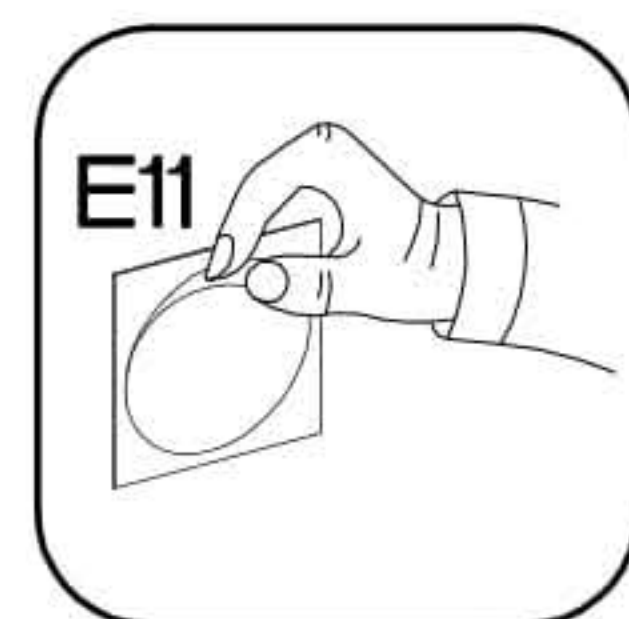
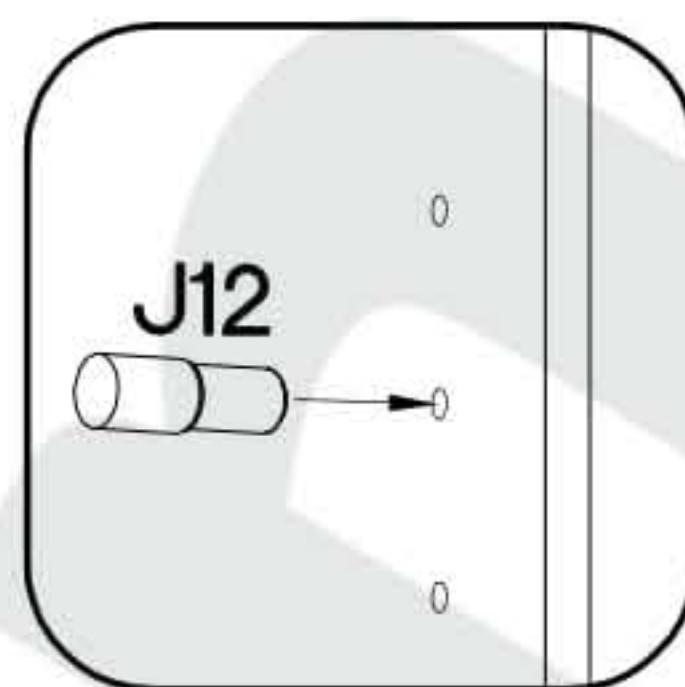
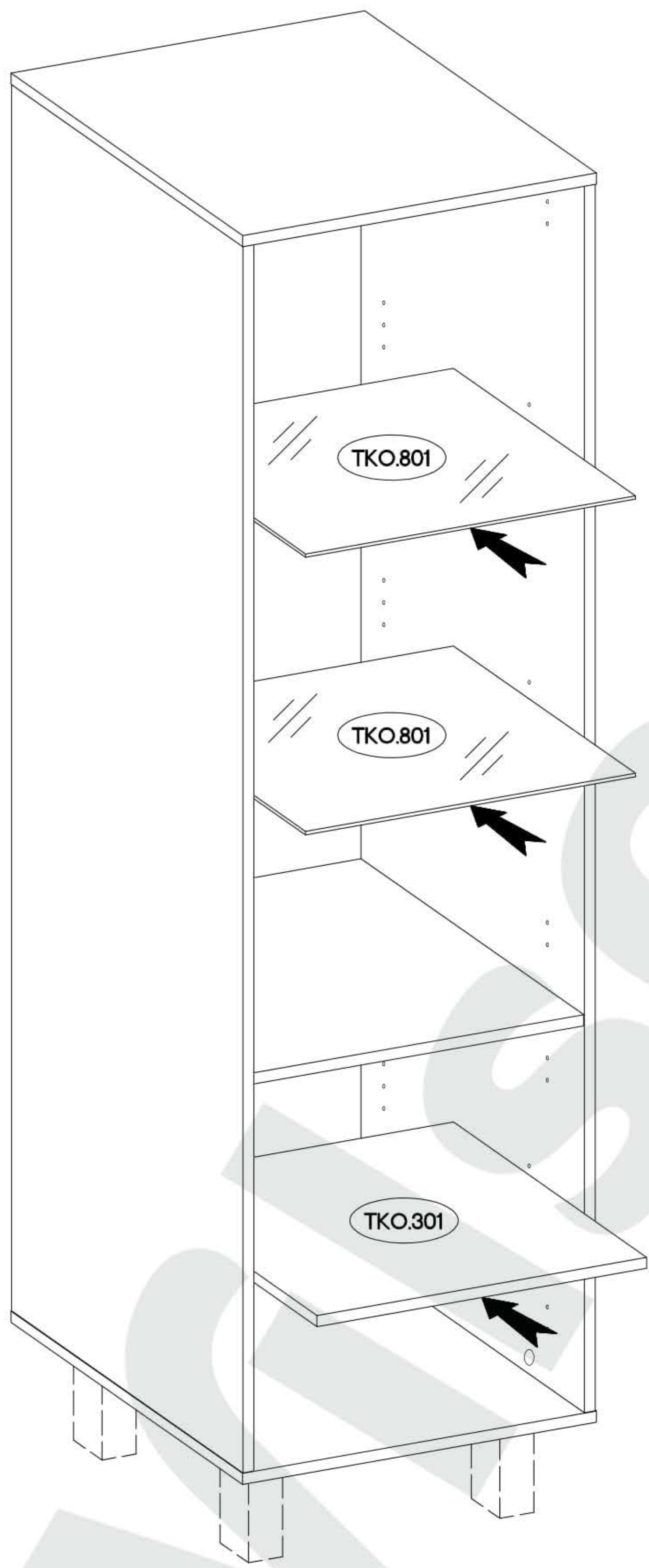
TKO.207-D



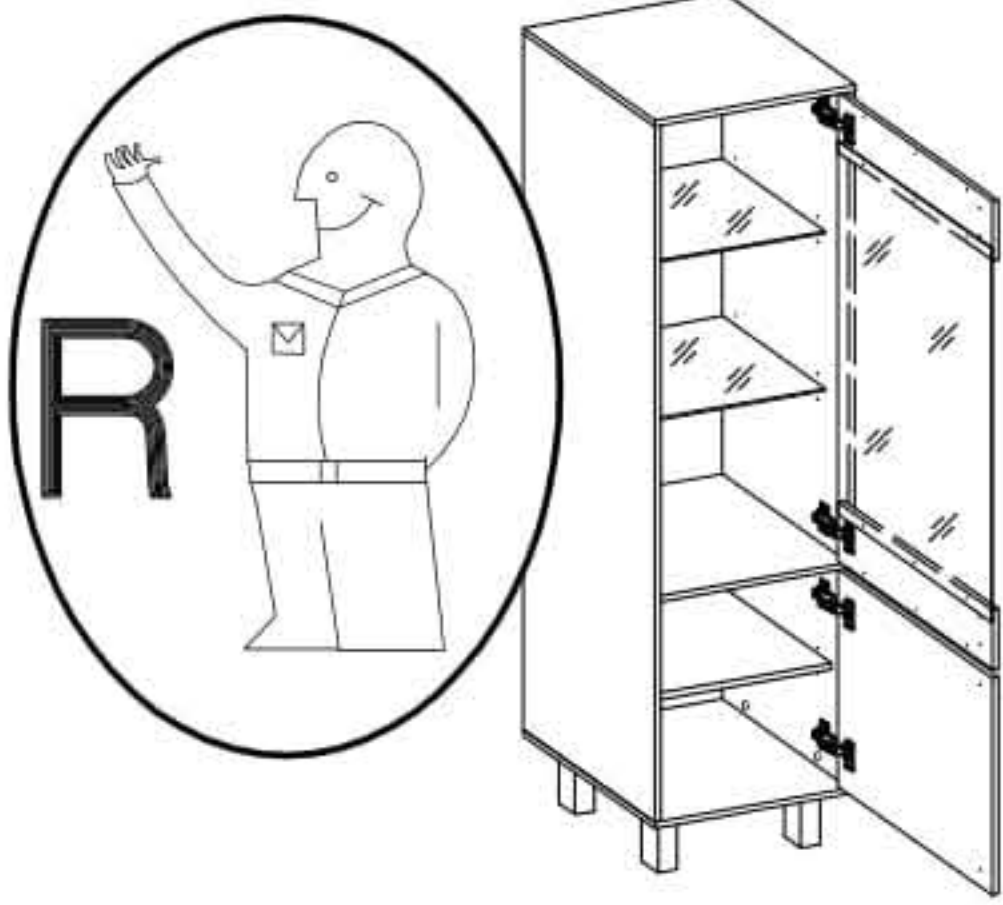
75x30x15mm	3.5x13mm	5.0x60mm	10x50mm
			
L19	P5	P12	O7
1	2	1	1



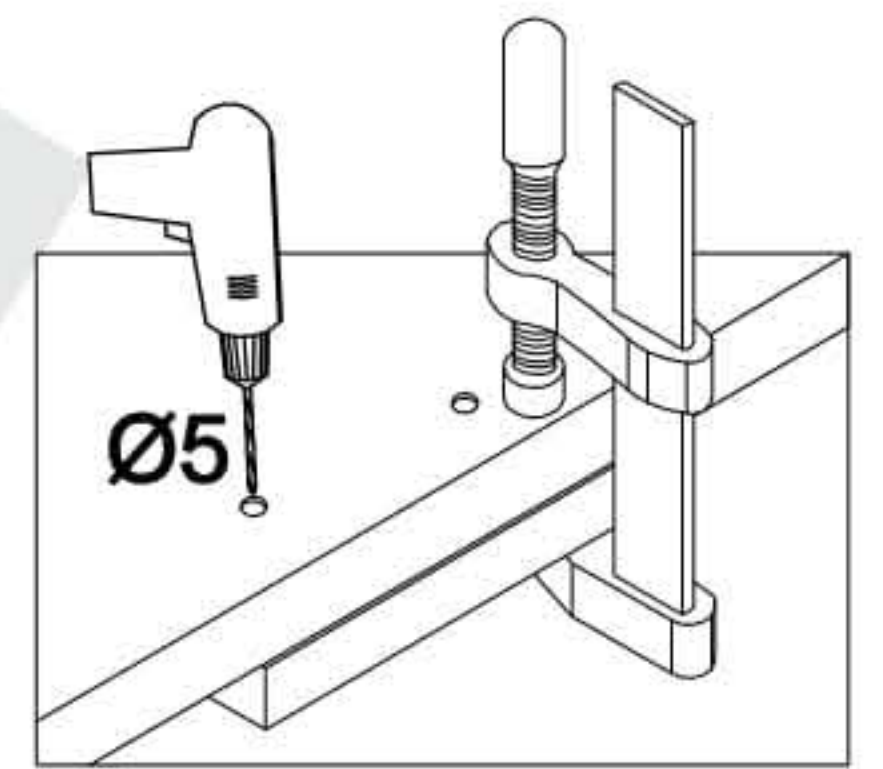
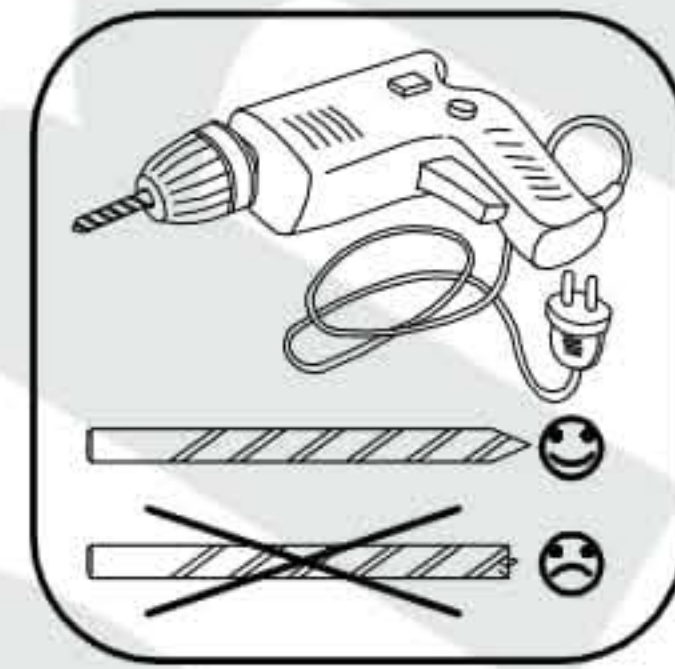
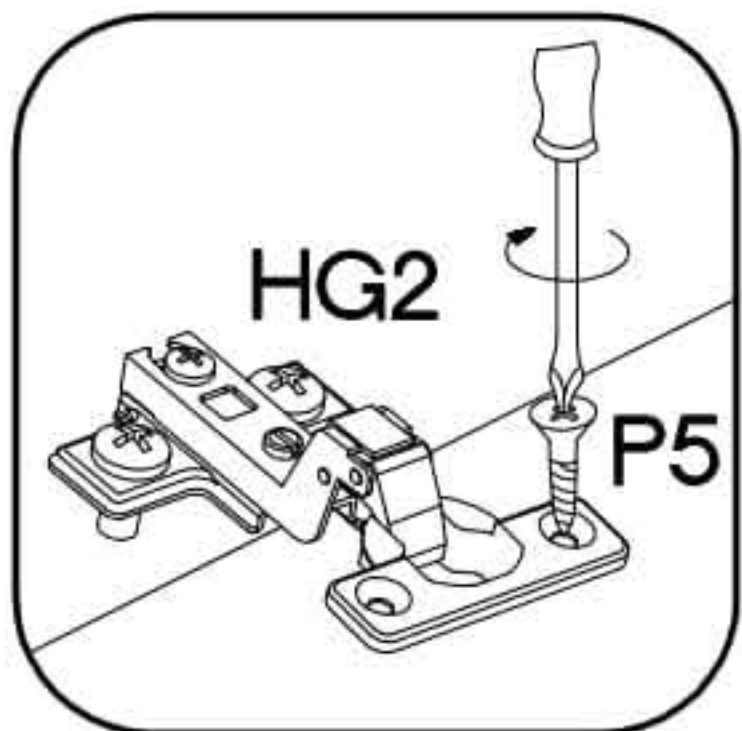
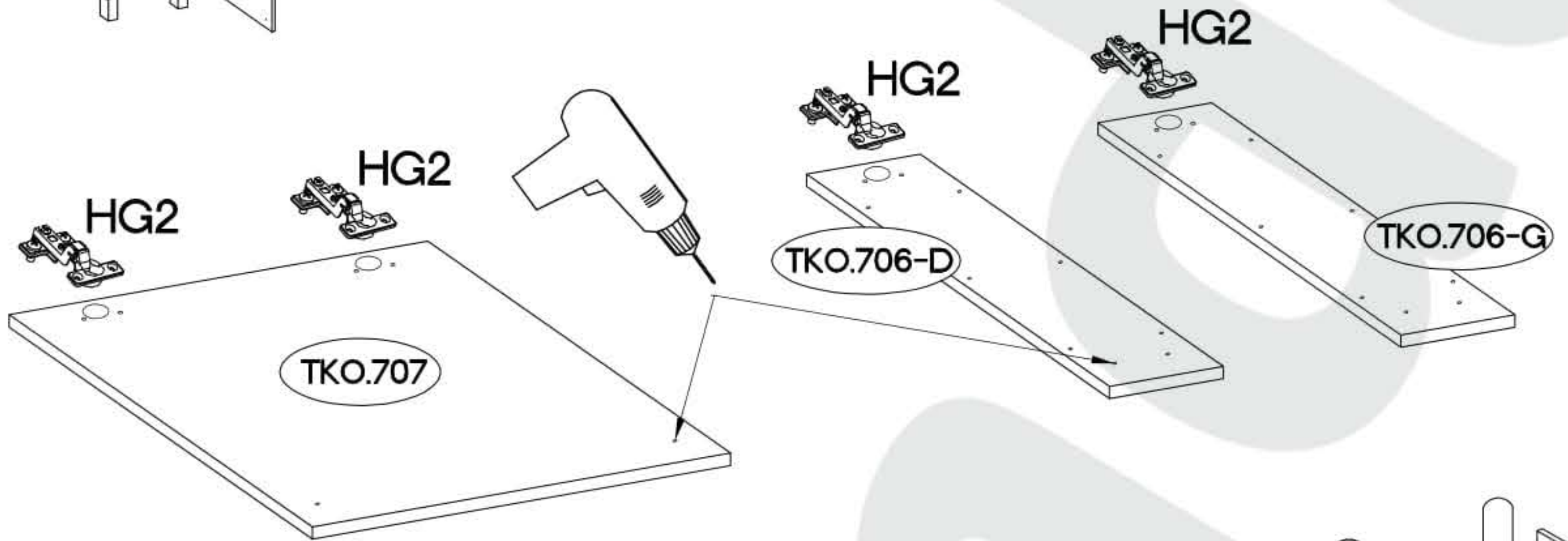
$\pm 5/16\text{mm}$  J3 4	 J12 8	± 20  E11 12
---	---	--



8

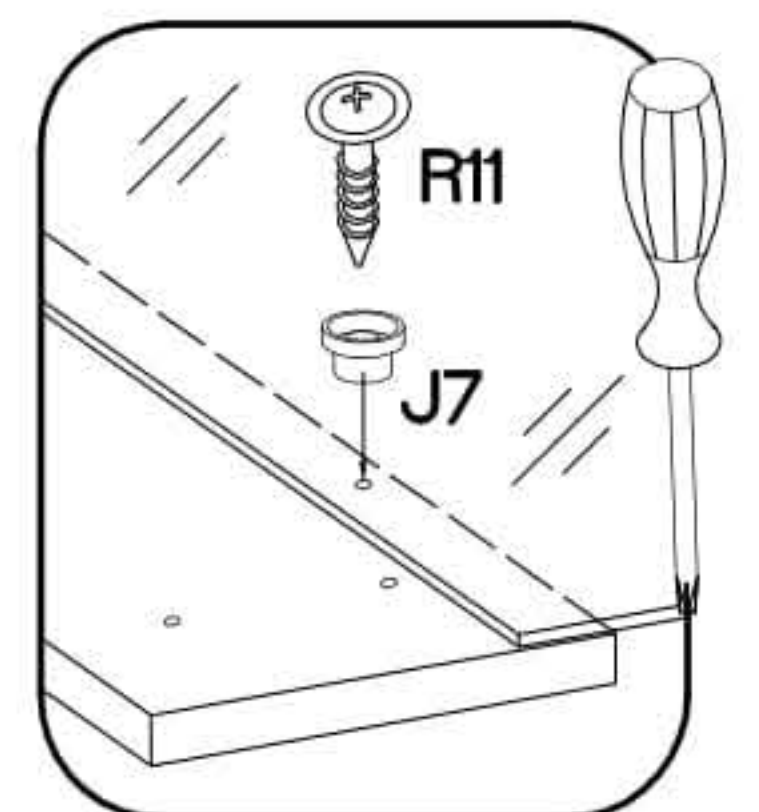
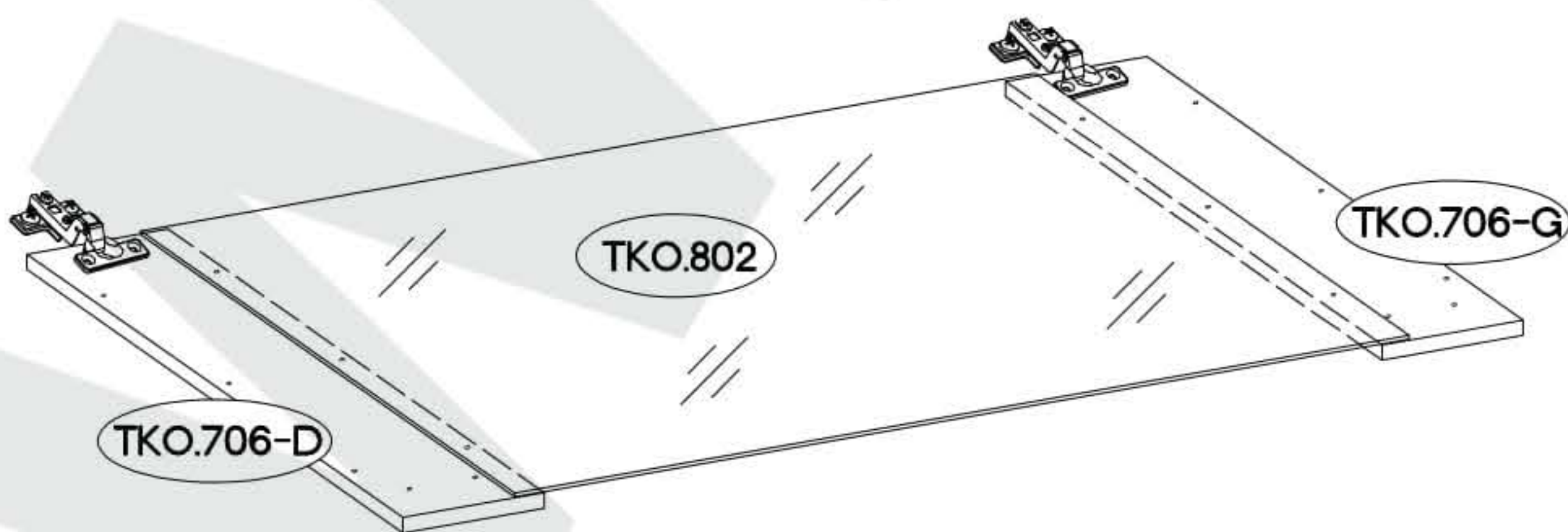
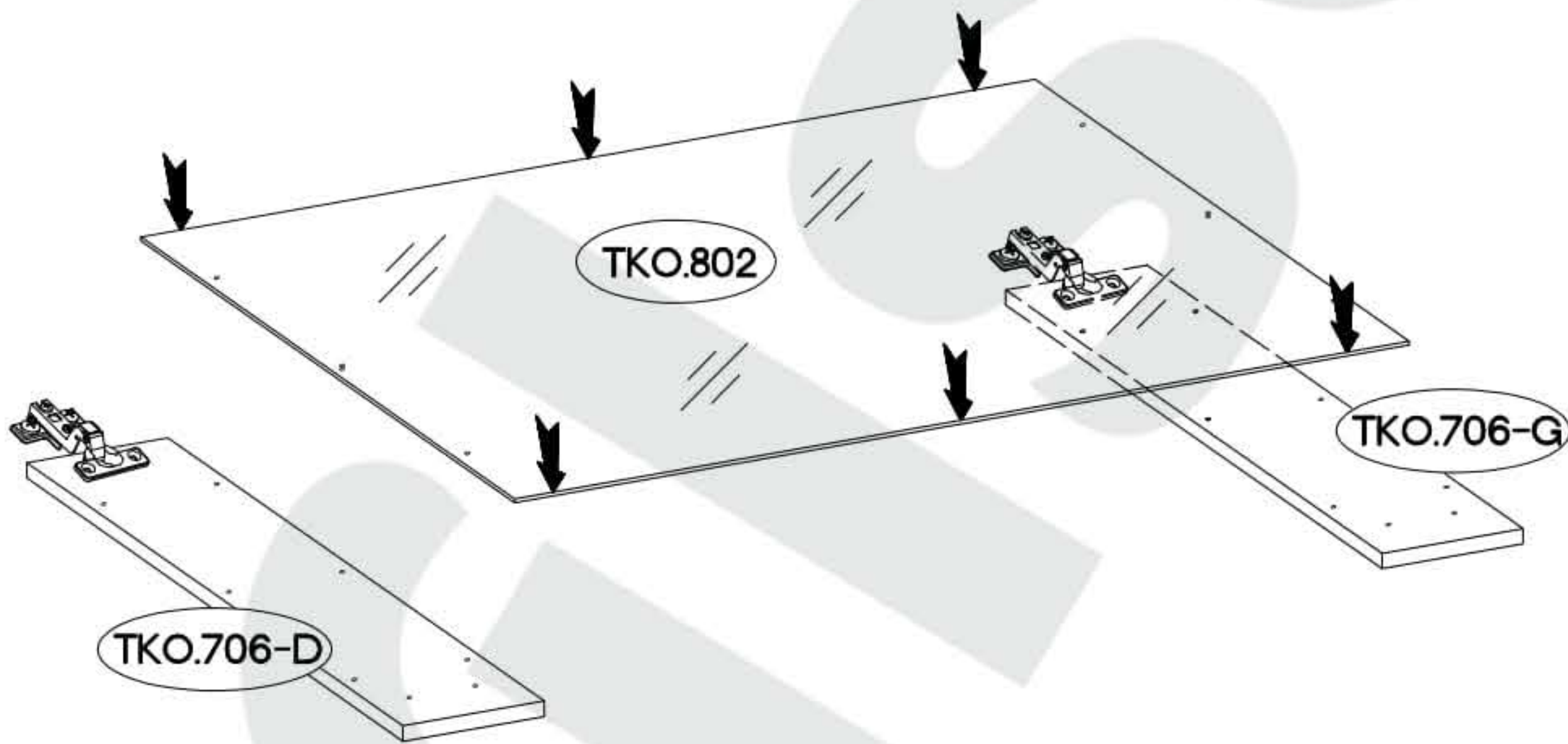


$\pm 35/16\text{mm}$	$\pm 3.5 \times 13\text{mm}$
HG2	P5
4	8

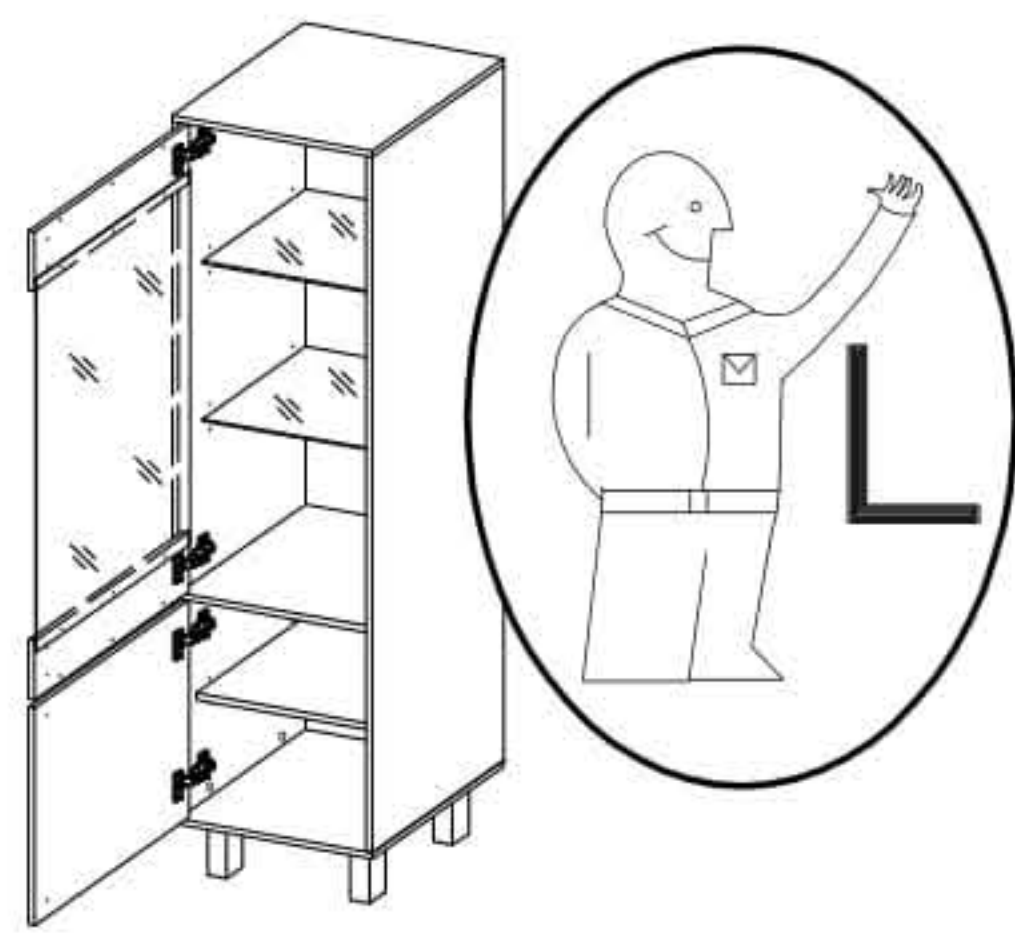


9

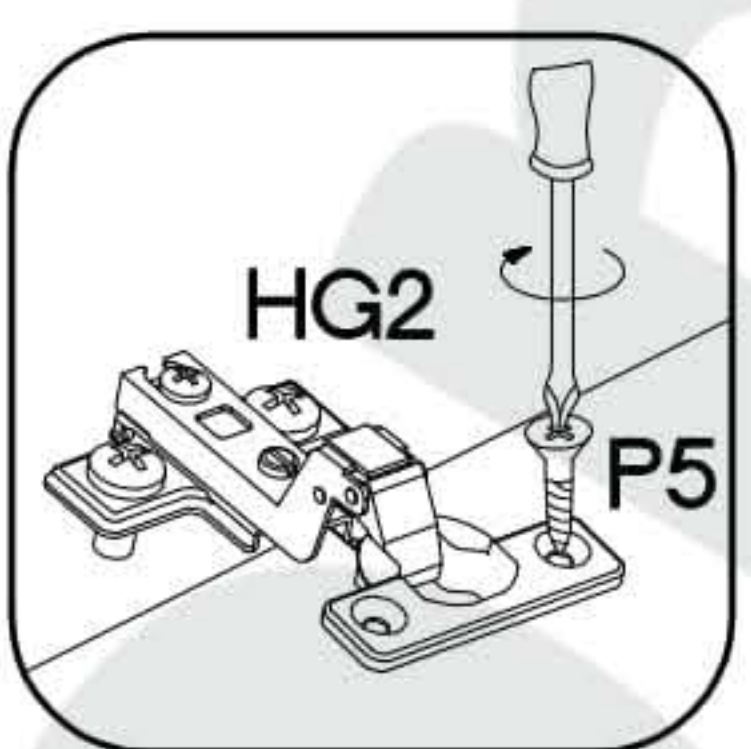
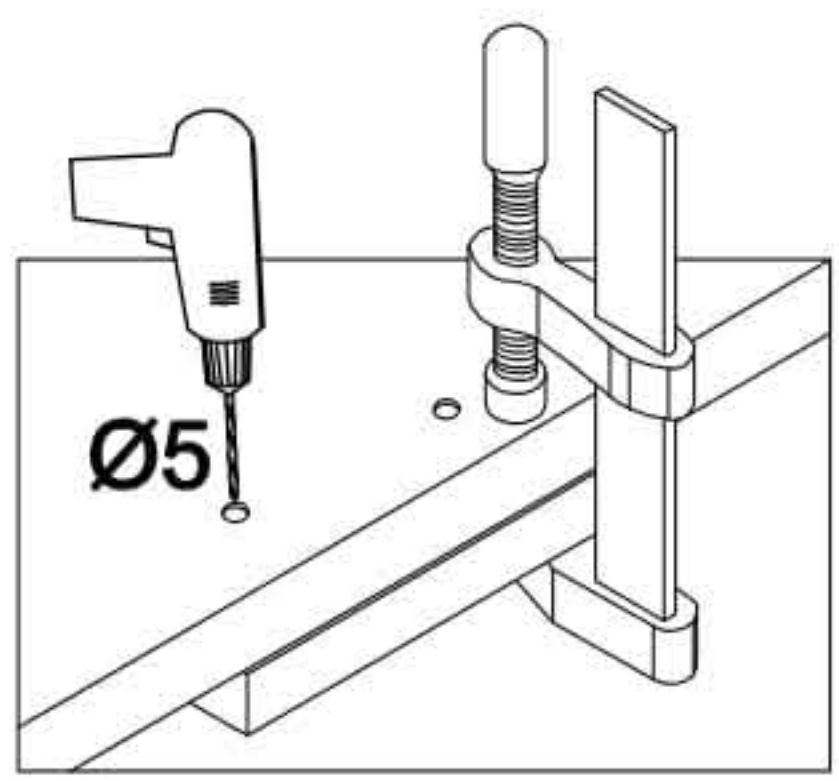
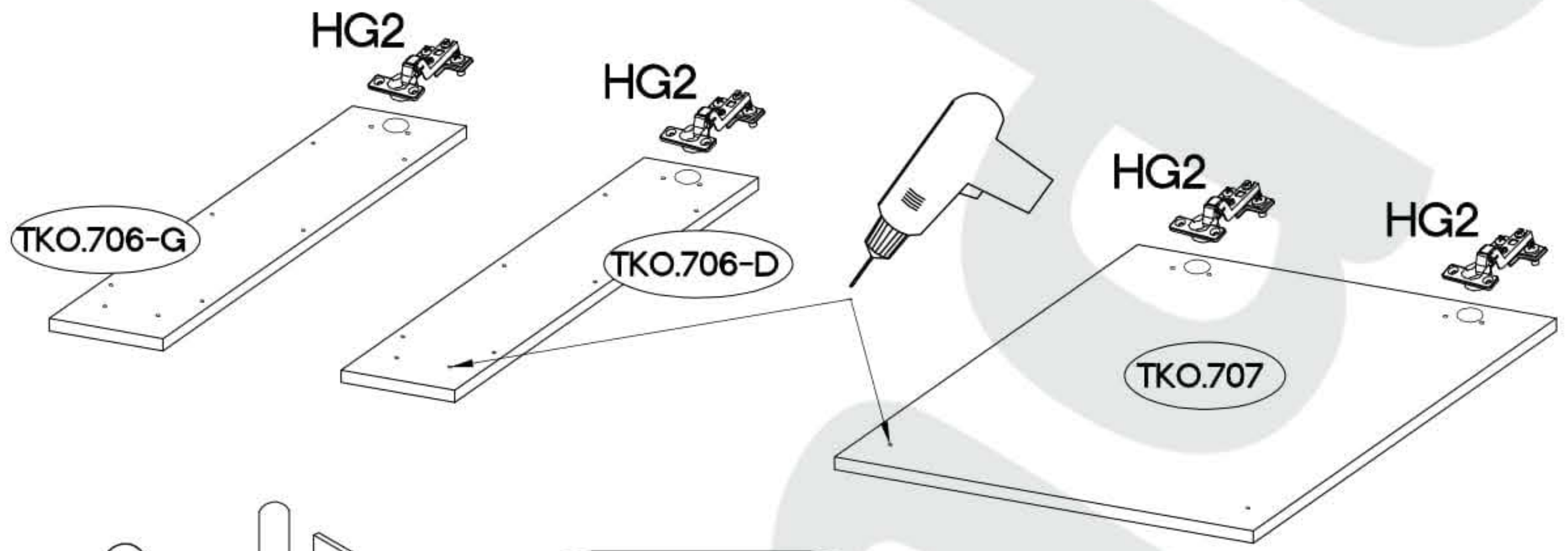
$\pm 4.0 \times 16\text{mm}$	$\pm 7/4\text{mm}$
R11	J7
6	6



10

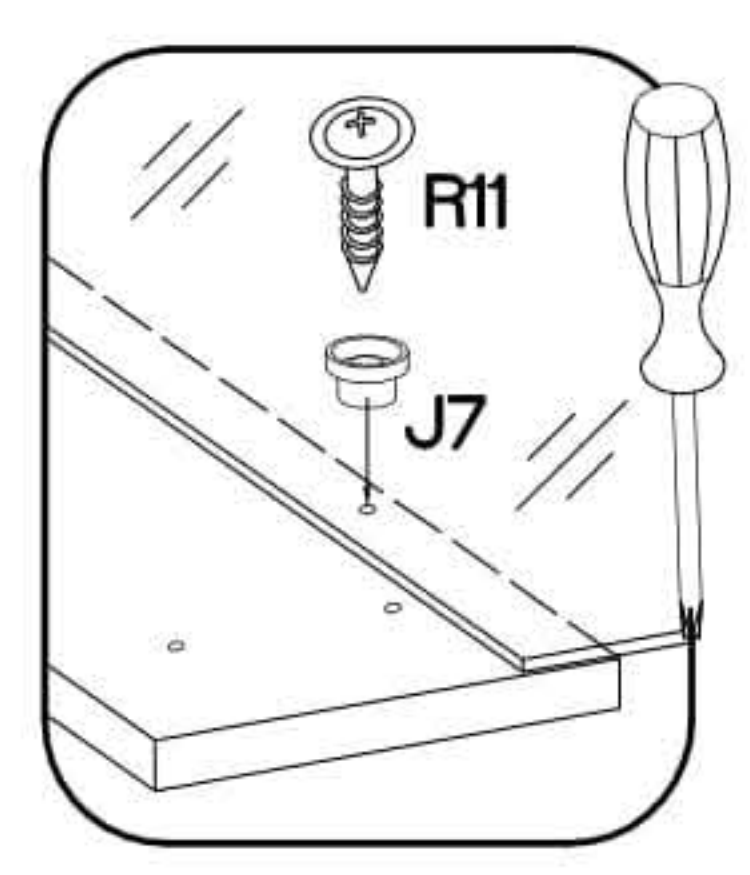
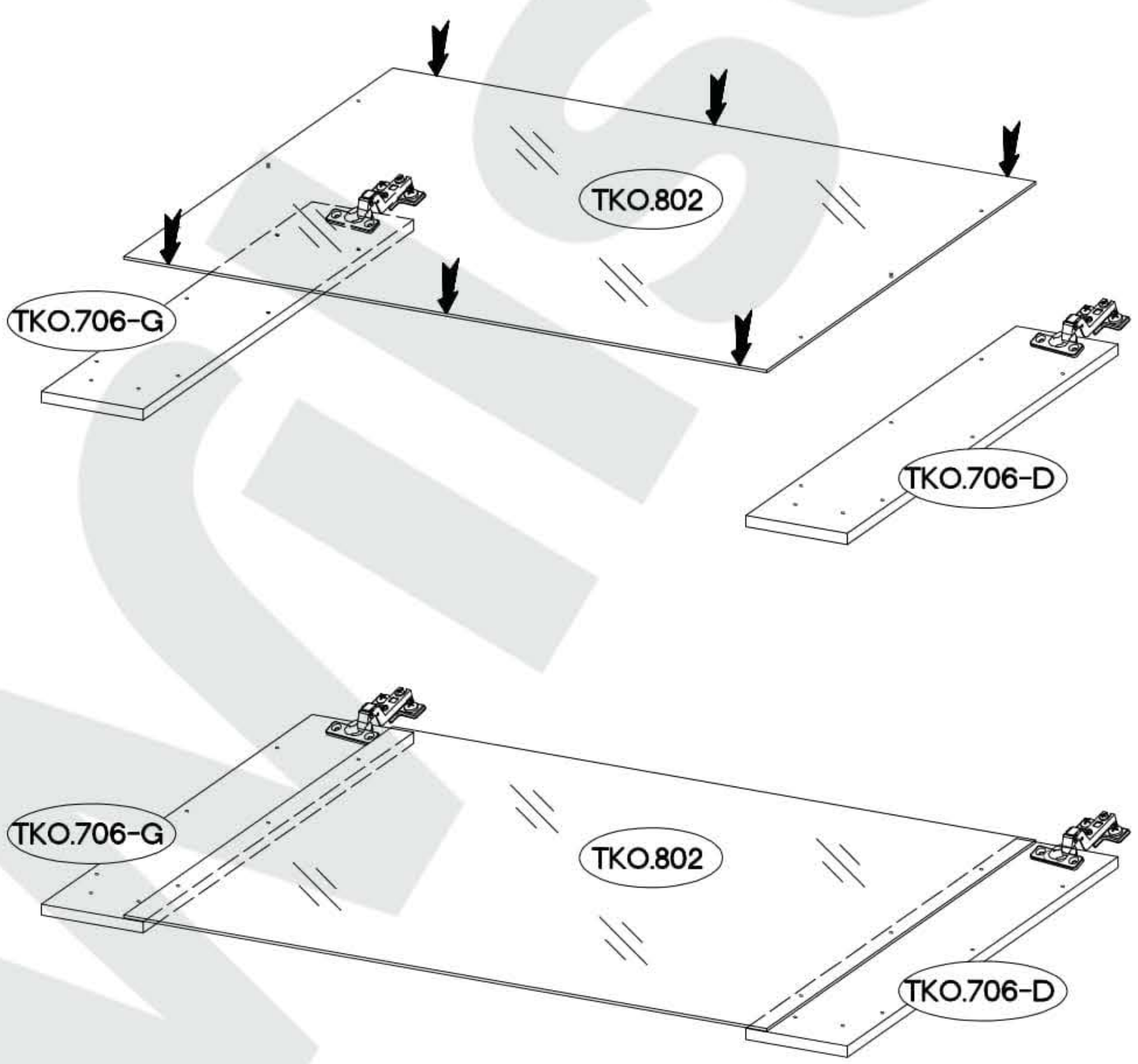


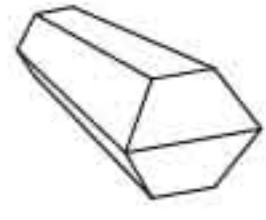

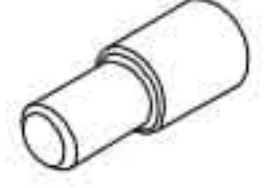
$\pm 35/16\text{mm}$	$\pm 3.5 \times 13\text{mm}$
HG2	P5
4	8



11

$\pm 4.0 \times 16\text{mm}$	$\pm 7/4\text{mm}$
R11	J7
6	6



	M4x22mm 	
S	U	J12
2	2	2

