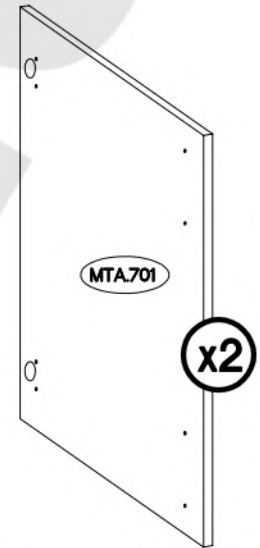
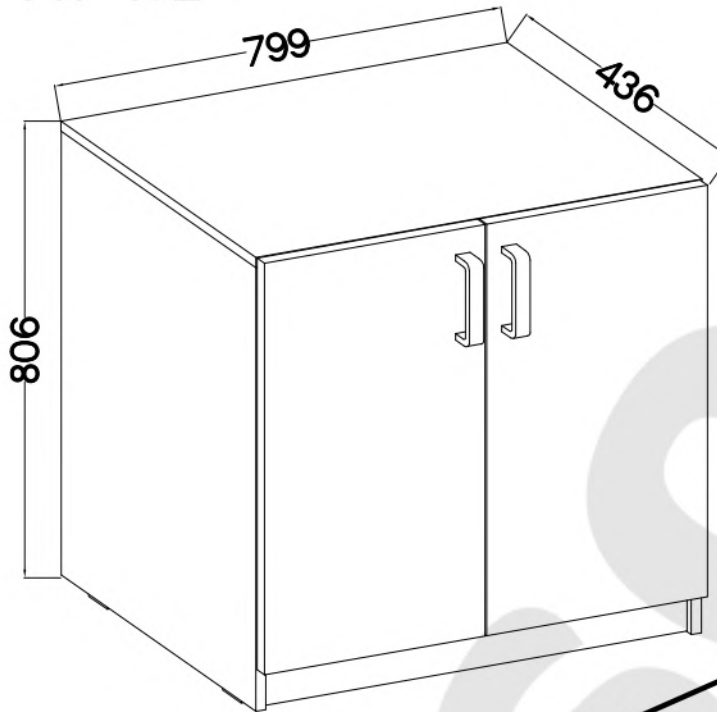


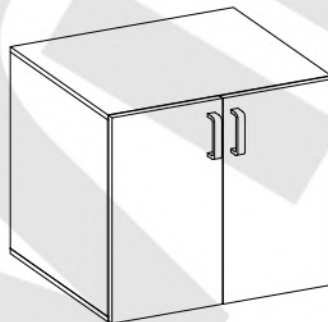
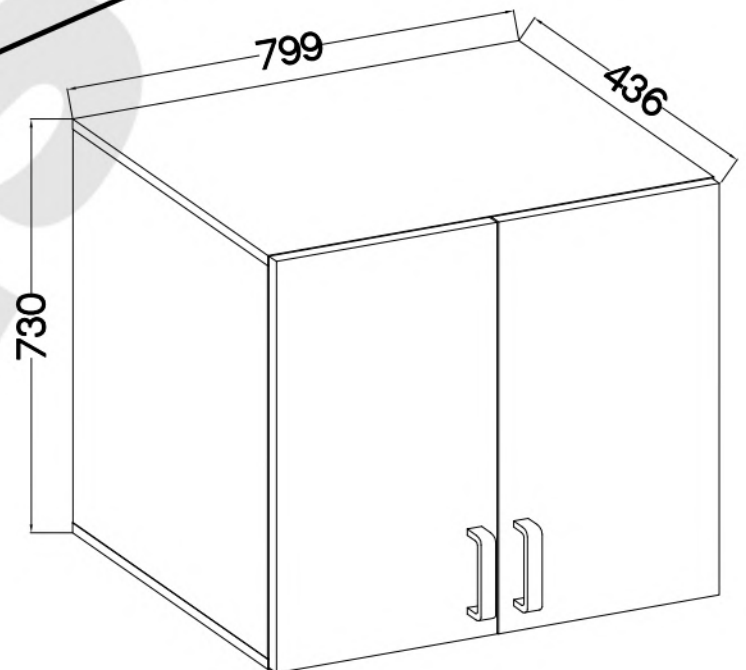
MALTA
front



TYP 102



TYP 104



 †35/0mm [CD] HG 4	 †3.5x13mm P5 8	 L=128mm S 2	 M4x22mm U 4
-----------------------------	--------------------------	-----------------------	-----------------------

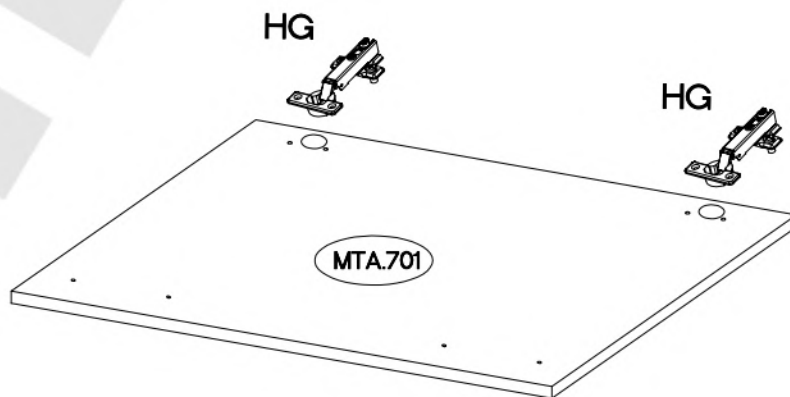
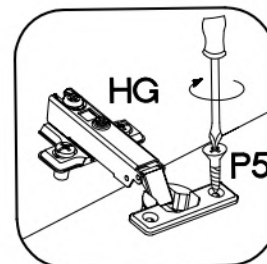
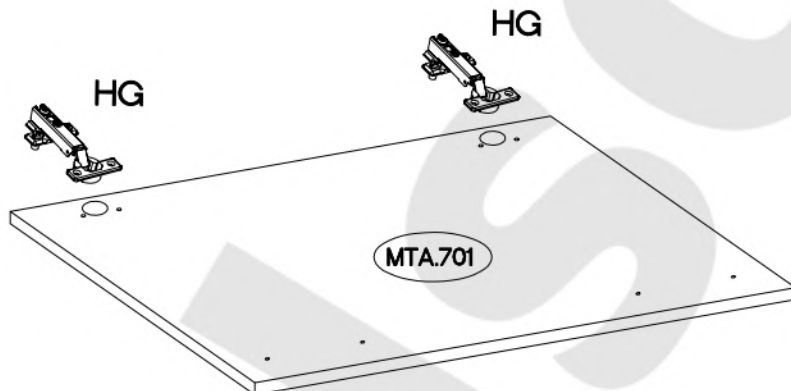
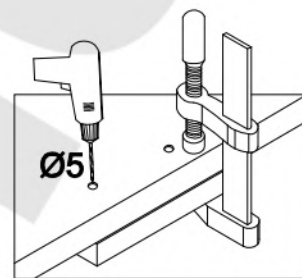
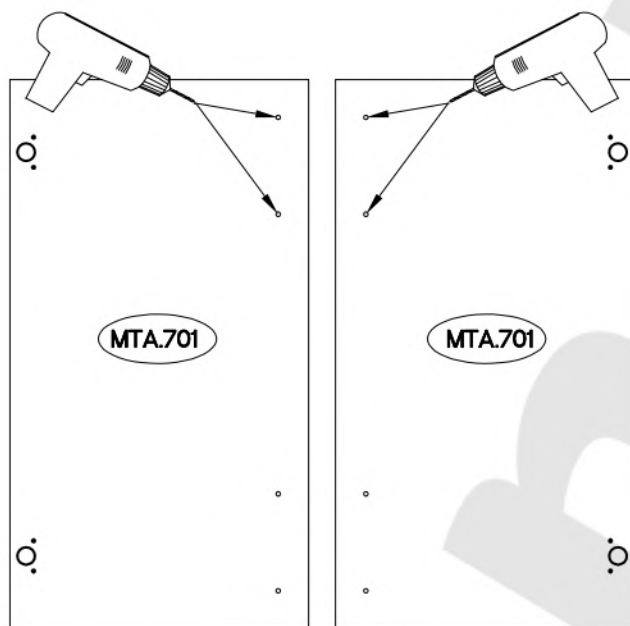
Ersatzteil Nummer	Dimension
MTA.701 x2	726x395x16

ISM-MTA-02

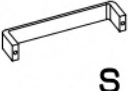

1

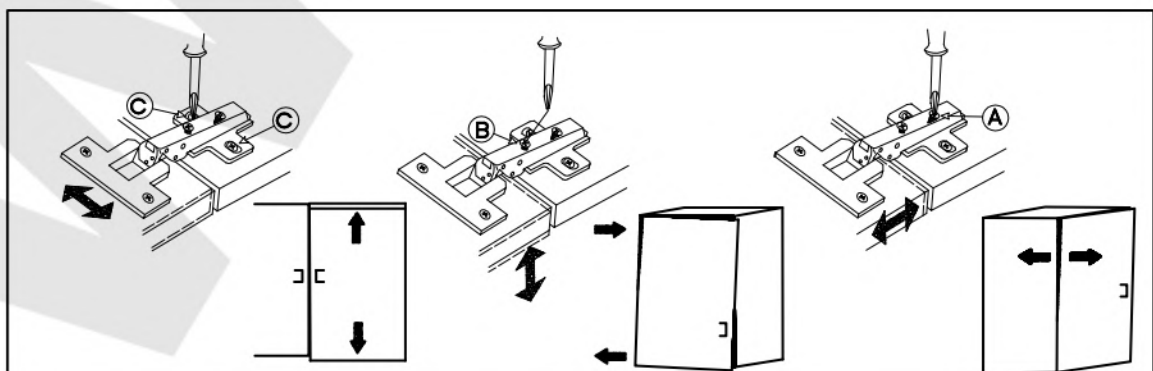
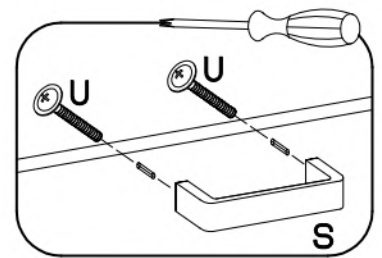
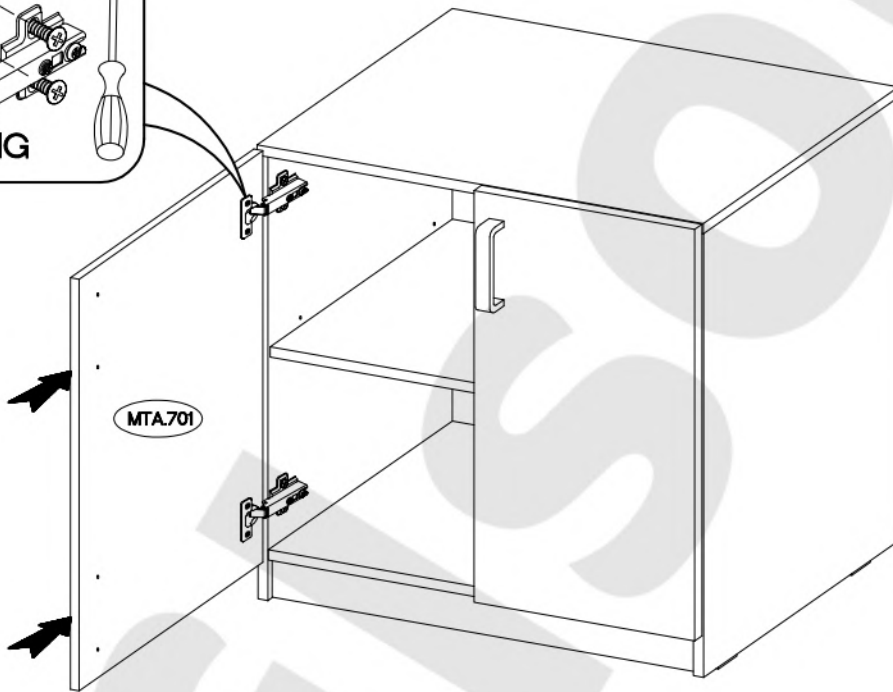
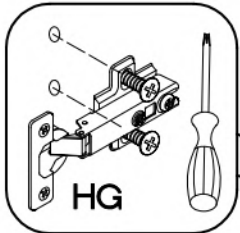
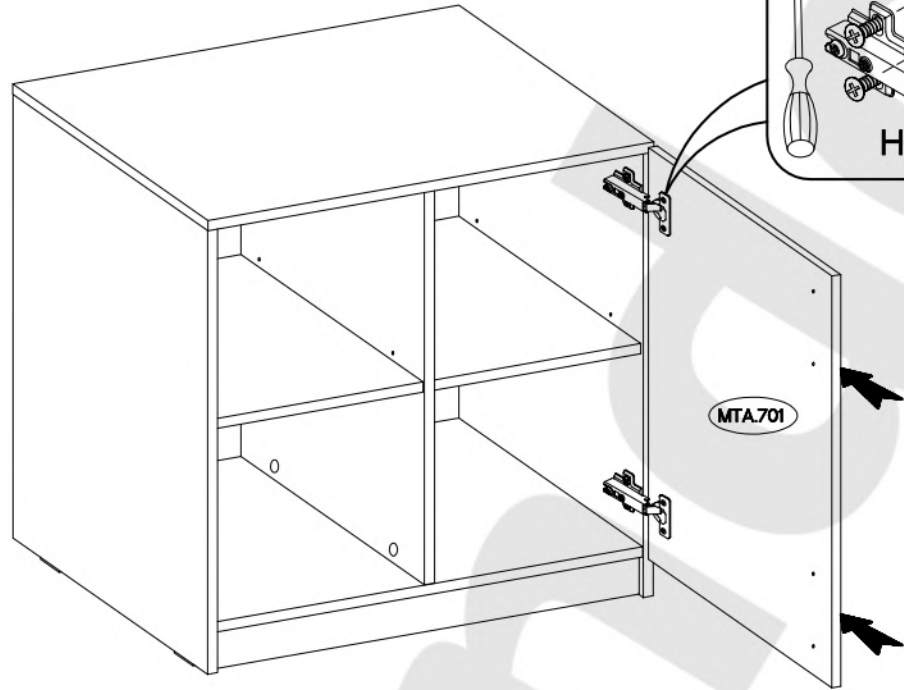
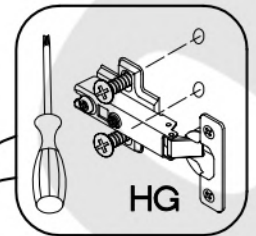
TYP 102

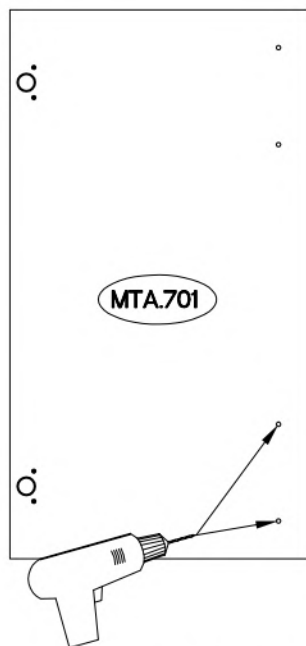
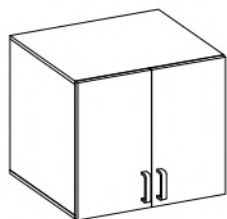
±35/0mm [CD] HG 4	±3.5x13mm P5 8
-------------------------	----------------------



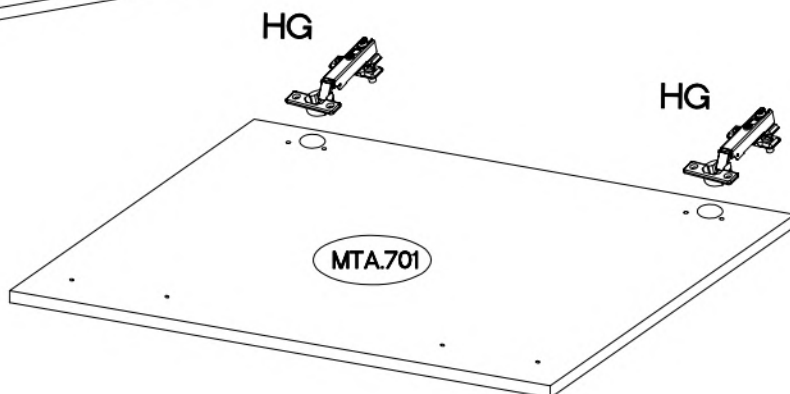
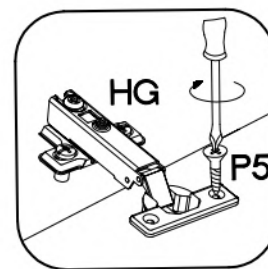
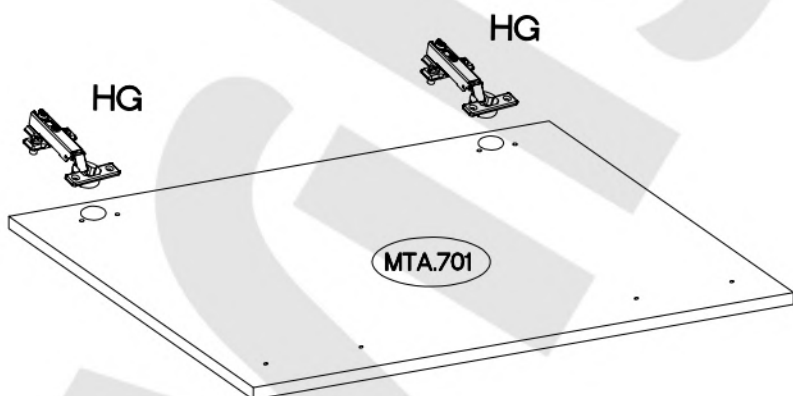
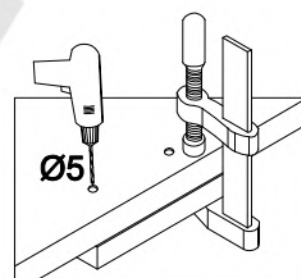
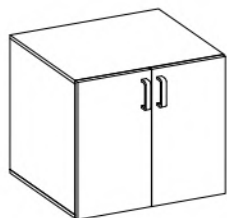
2

L-128mm	M4x22mm
	
S	U
2	4

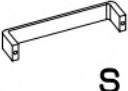



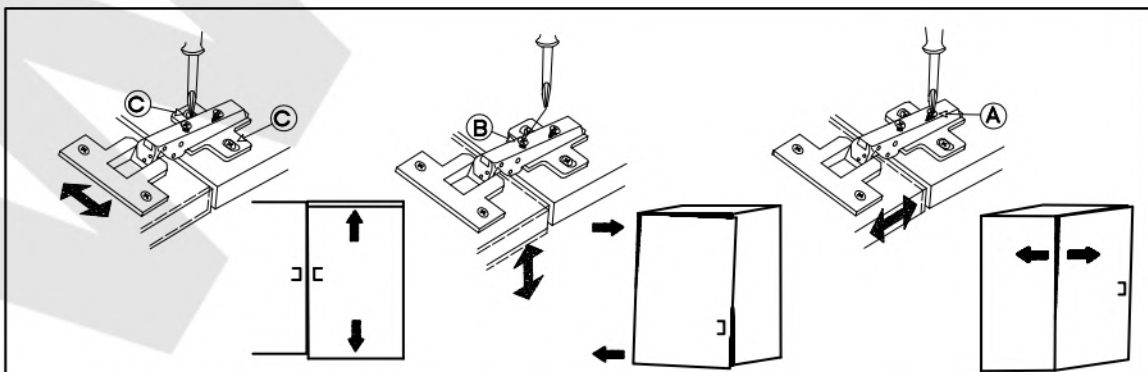
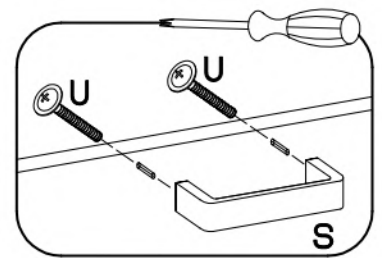
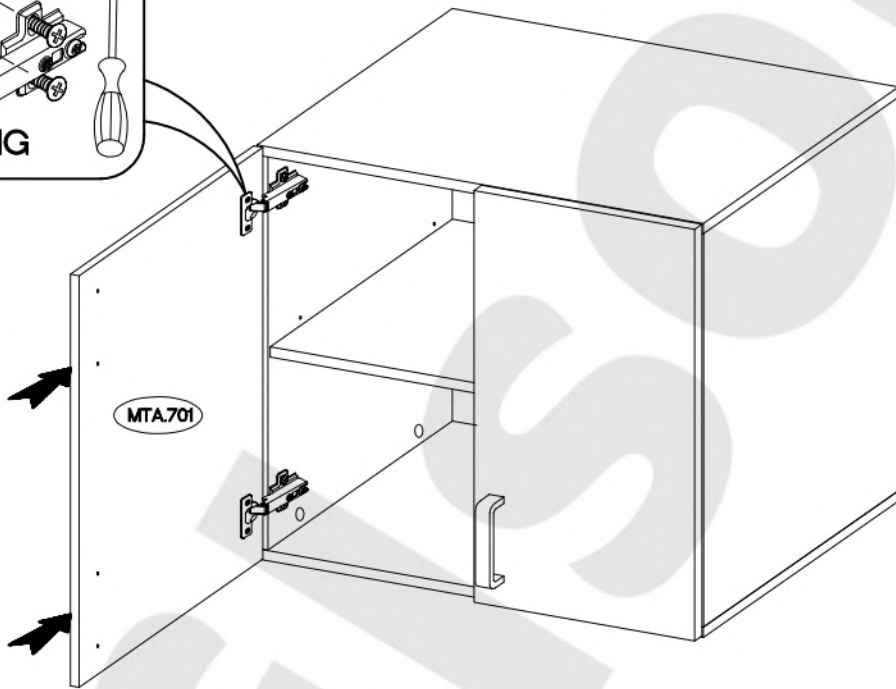
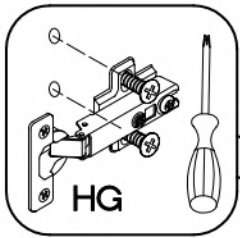
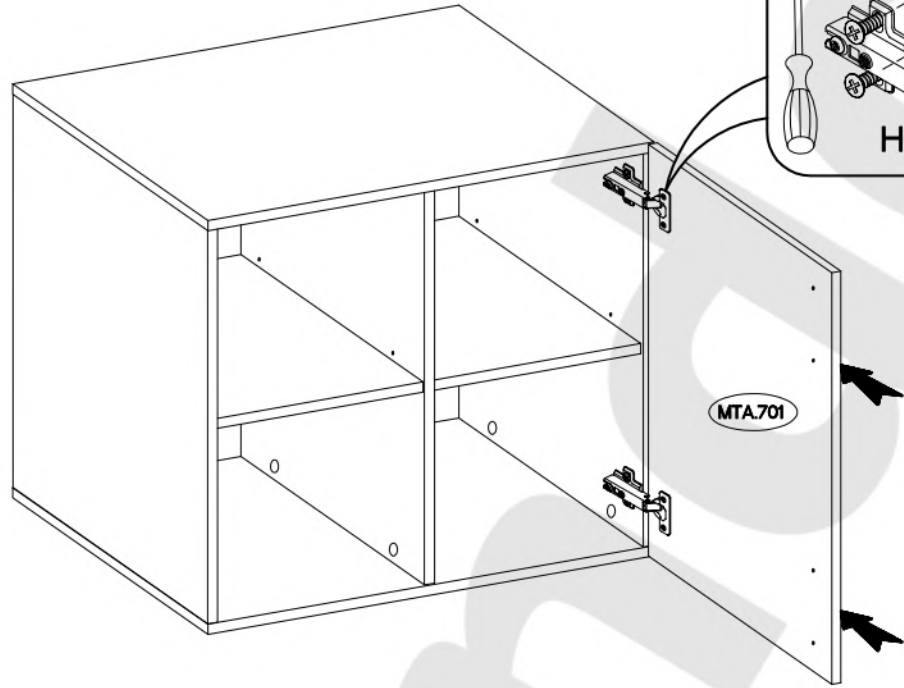


$\pm 35/0\text{mm}$ [CD] HG 4	$\pm 3.5 \times 13\text{mm}$ P5 8
--	---



4

L-128mm	M4x22mm
	
S	U
2	4



5

OPTION

