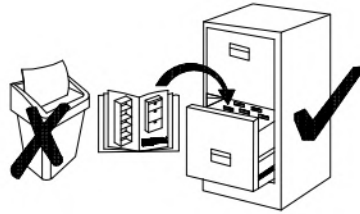
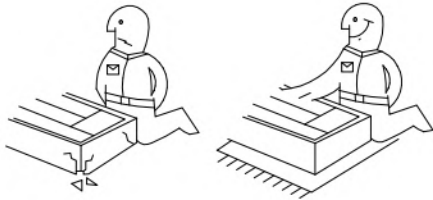
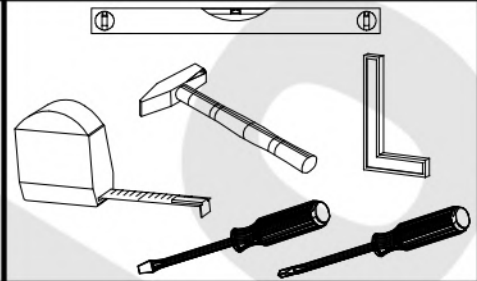
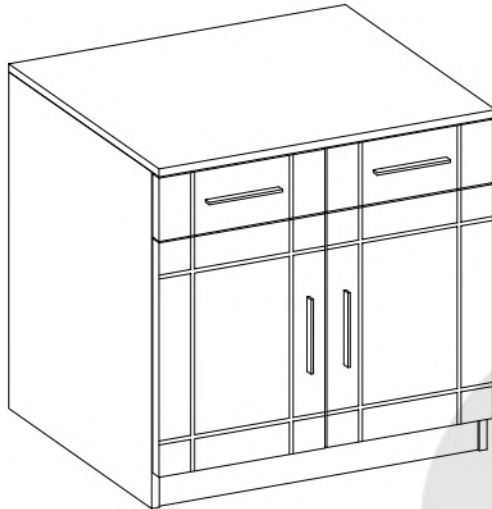


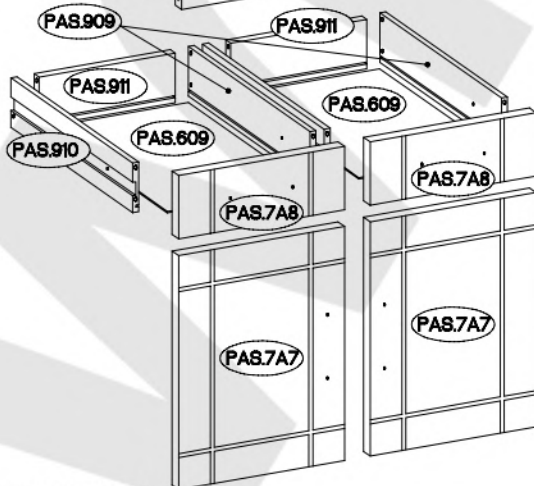
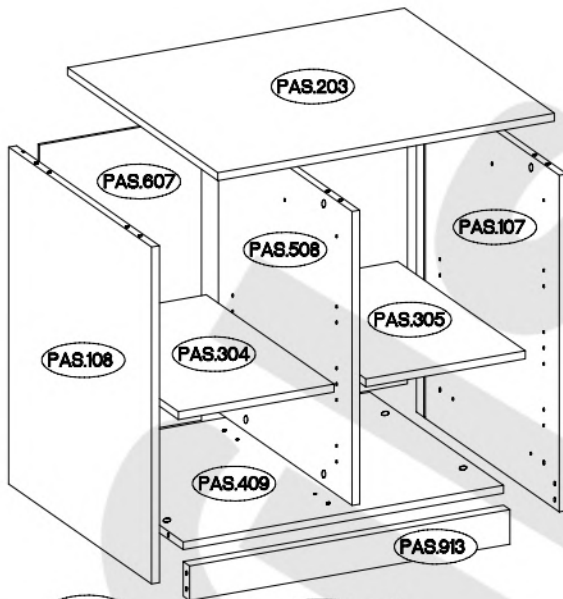
PARIS 2F2S



WH2F2S
SO2F2S

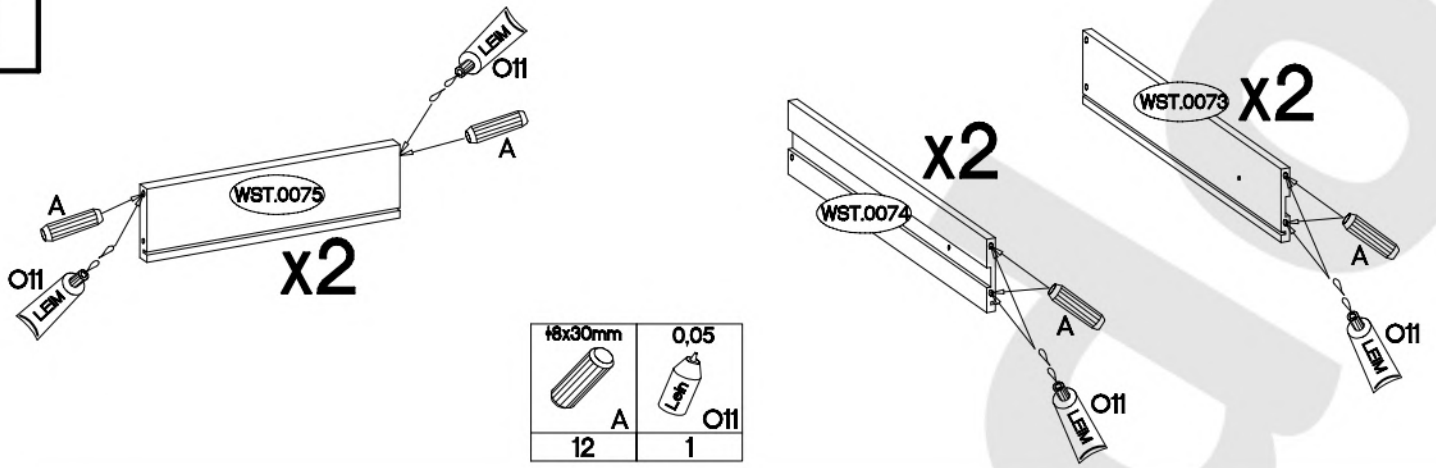


| Coli | Ersatzteil Nummer | Dimension |
|---------|-------------------|-------------|
| 1/2 | PAS.7A7 x2 | 473x340x16 |
| | PAS.7A8 x2 | 340x128x16 |
| Coli | Ersatzteil Nummer | Dimension |
| 2/2 | PAS.107 | 680x352x16 |
| | PAS.108 | 680x352x16 |
| | PAS.203 | 690x370x16 |
| | PAS.304 x2 | 319x315x16 |
| | PAS.409 | 656x329x16 |
| | PAS.508 x1 | 594x329x16 |
| | PAS.607 x2 | 614x332x2,5 |
| | PAS.609 x2 | 296x289x2,5 |
| | PAS.909 x2 | 300x100x12 |
| | PAS.910 x2 | 300x100x12 |
| | PAS.911 x2 | 279x100x12 |
| PAS.913 | 656x70x16 | |

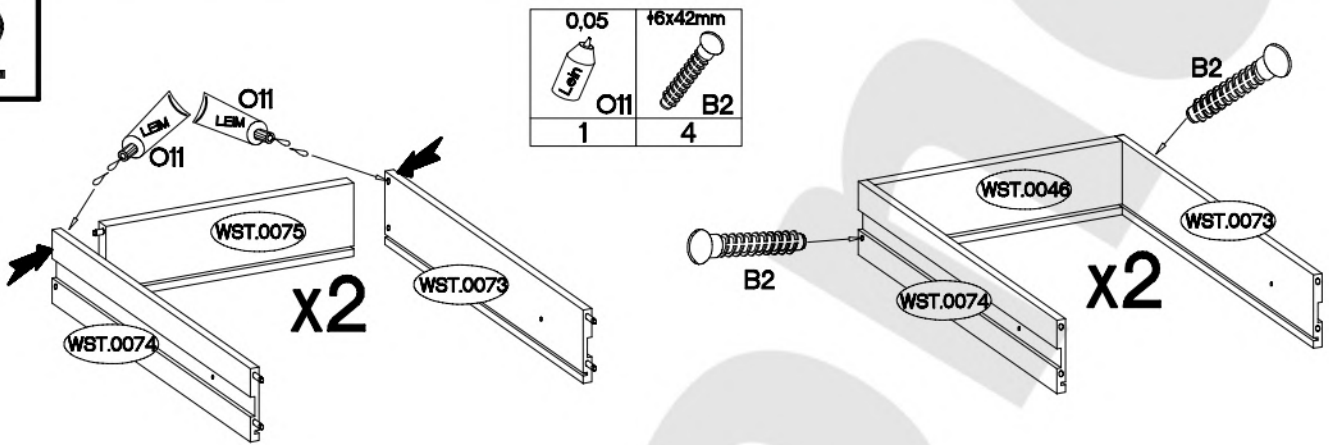


| | | | |
|-----------|-----------|-----------|----------|
| | | | |
| L9 | O7 | O11 | J3 |
| 1 | 1 | 1 | 8 |
| +6,3x20mm | L=128mm | +6,3x13mm | 27/214mm |
| | | | |
| M3 | S11 | M2 | I3 |
| 4 | 4 | 4 | 2 |
| +20/8mm | +4.0x30mm | +3.5x13mm | +15x5mm |
| | | | |
| J14 | R2 | P5 | F4 |
| 4 | 8 | 9 | 1 |
| | | | |
| L | L2 | P7 | G |
| 6 | 4 | 10 | 4 |
| M4x9mm | +15/12mm | +8x30mm | L=20mm |
| | | | |
| U1 | C | A | D2 |
| 4 | 12 | 28 | 12 |
| | | | |
| | | | E |
| | | | 6 |

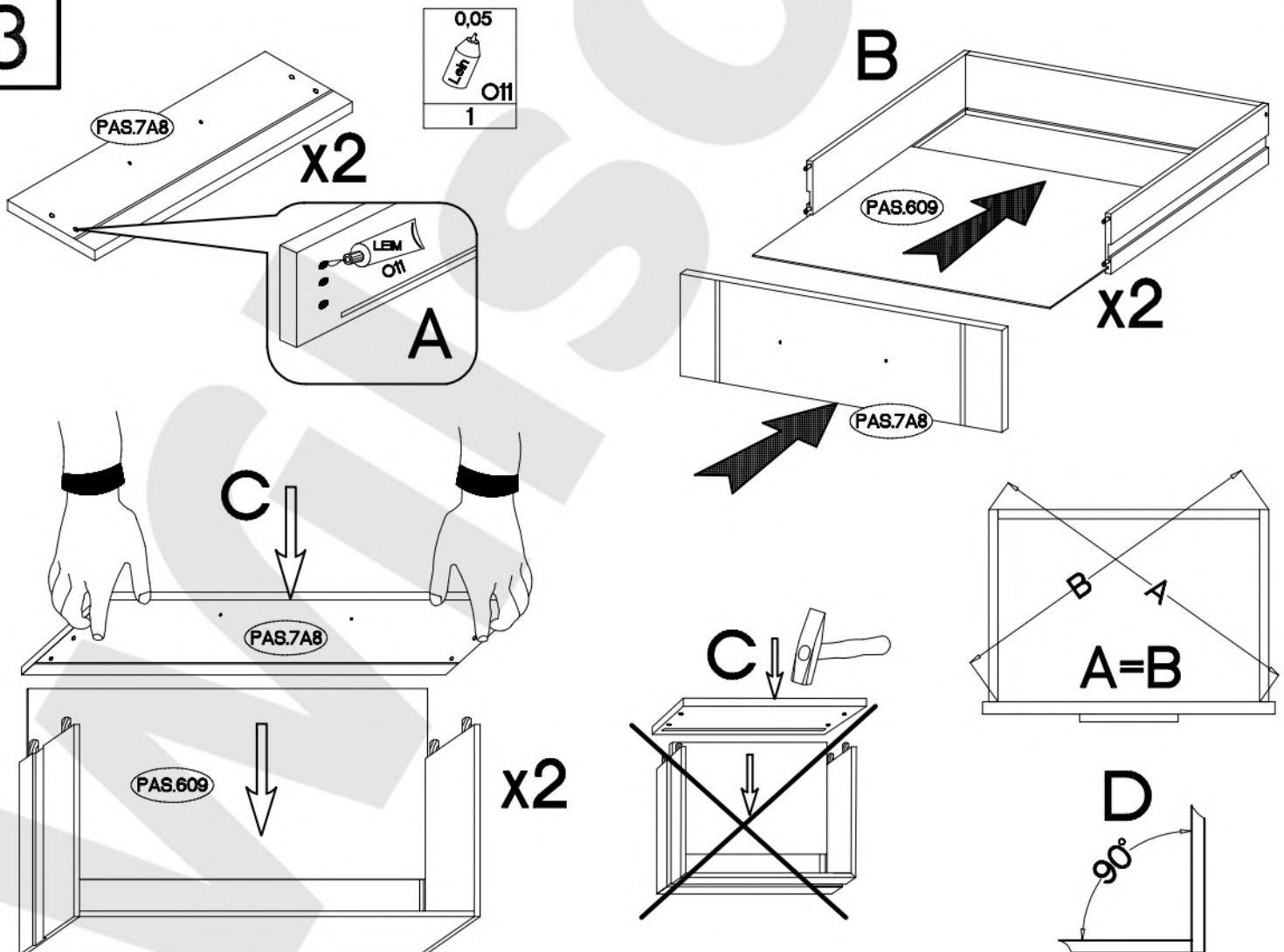
1









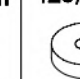


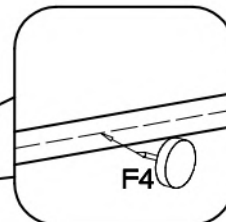
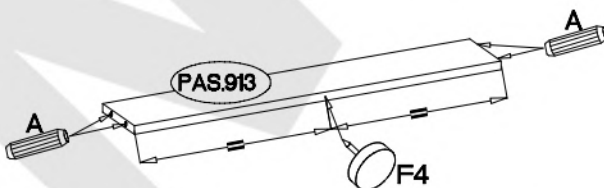
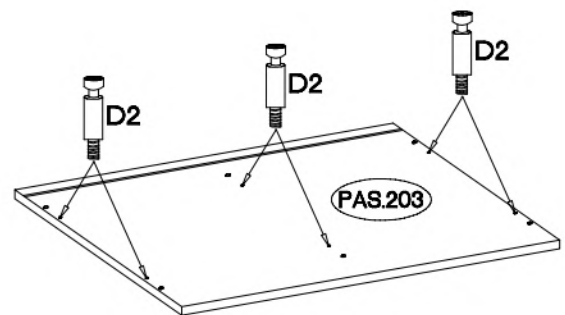
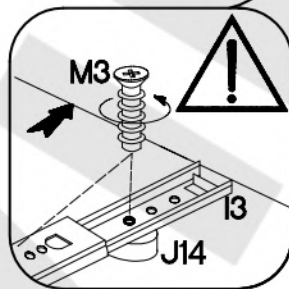
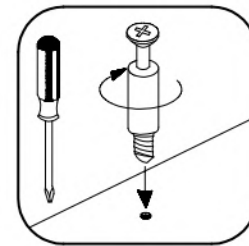
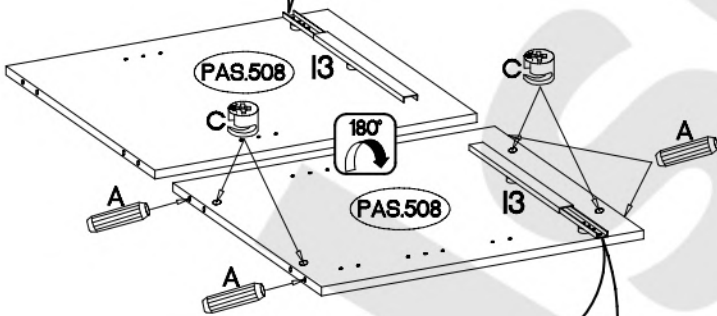
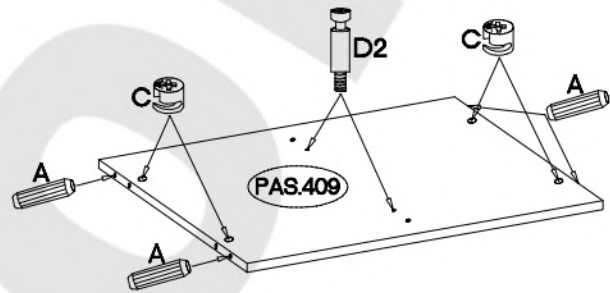
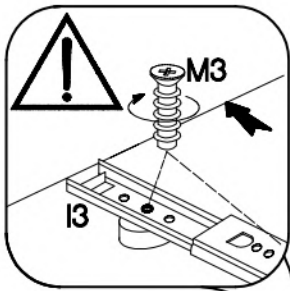
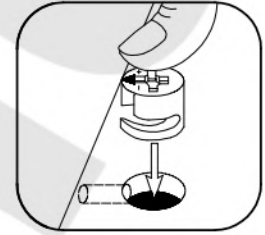
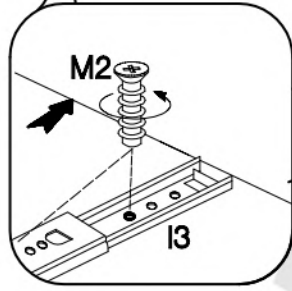
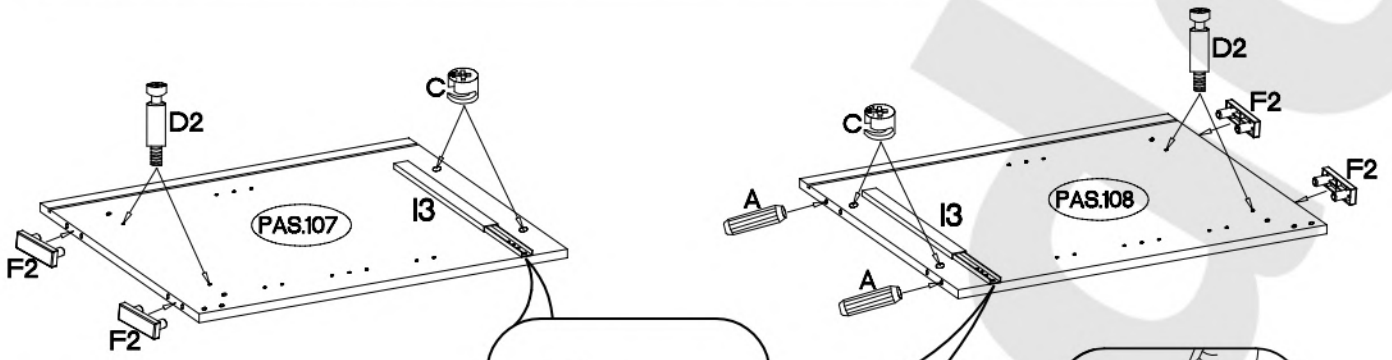
2



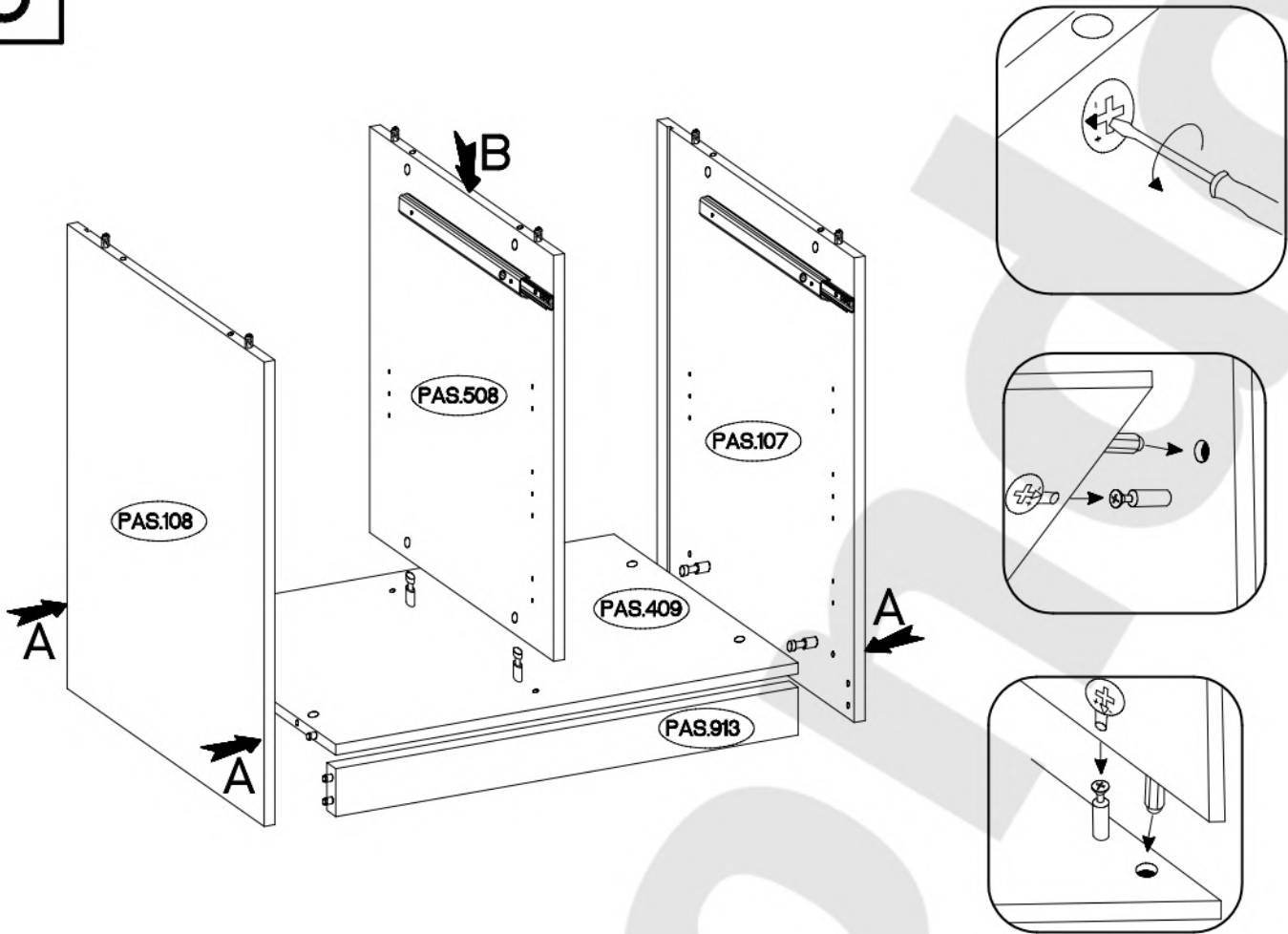
3



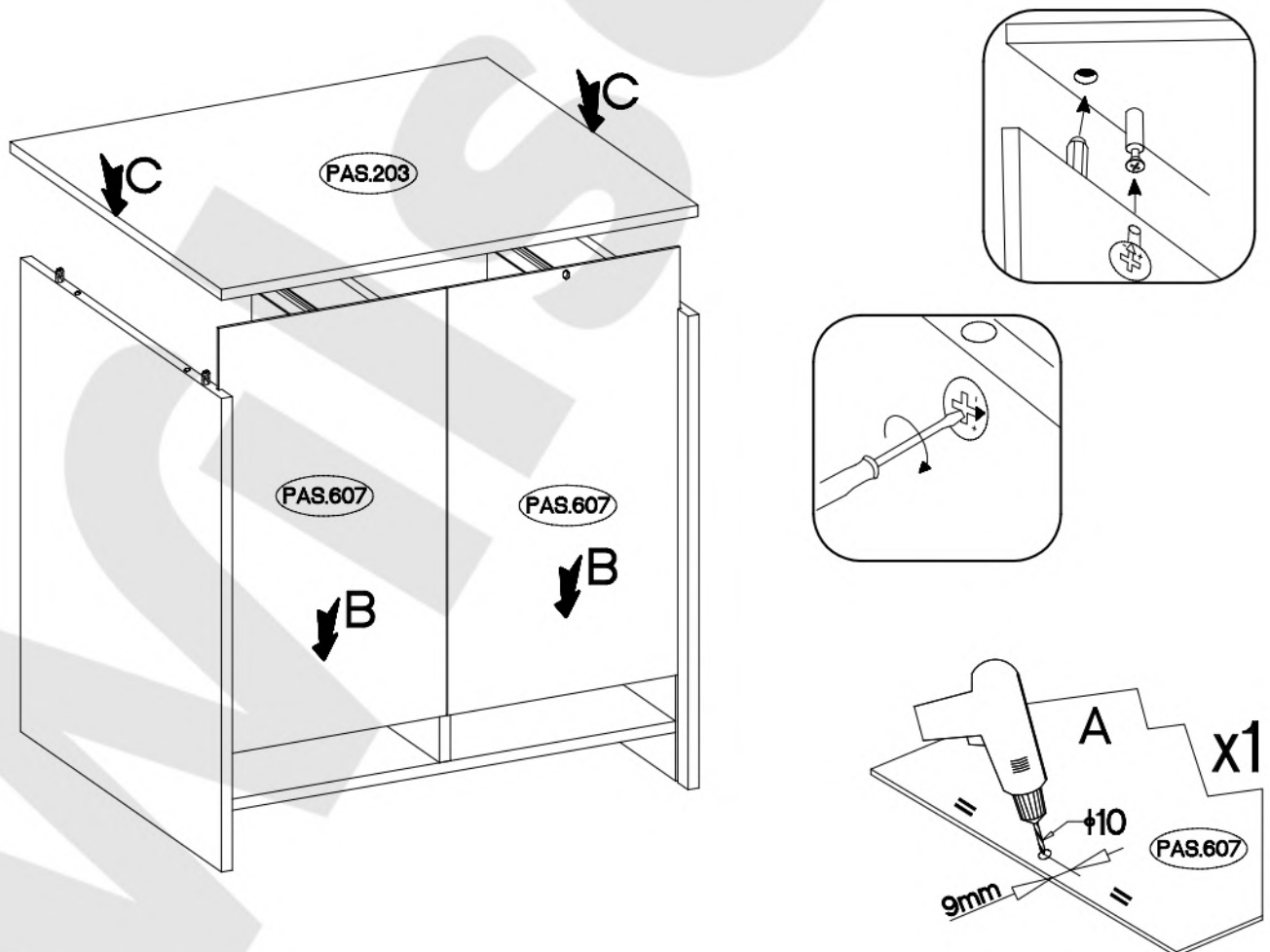
| | | | | | | | | |
|---|--|--|---|---|---|--|---|--|
| ±15/12mm  C | ±8x30mm  A | L=20mm  D2 | ±15x5mm  F4 | 6.5x48x16  F2 | ±6,3x13mm  M2 | 27/24mm  I3 | ±6,3x20mm  M3 | ±20/8mm  J14 |
| 12 | 16 | 12 | 1 | 4 | 4 | 2 | 4 | 4 |



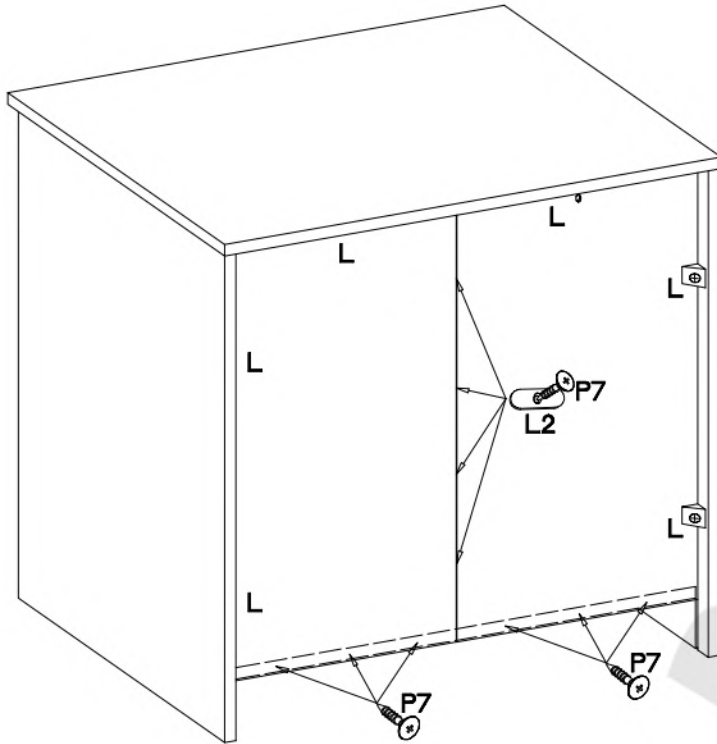
5






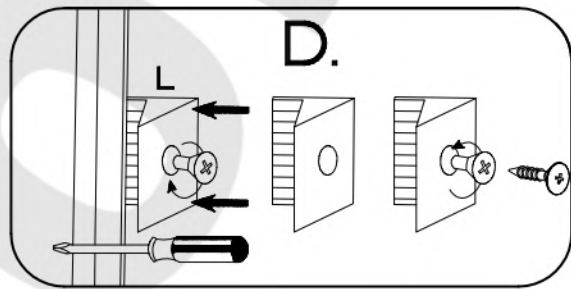
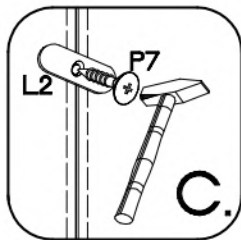
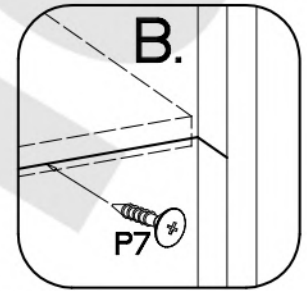
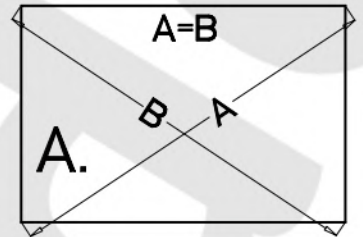
6



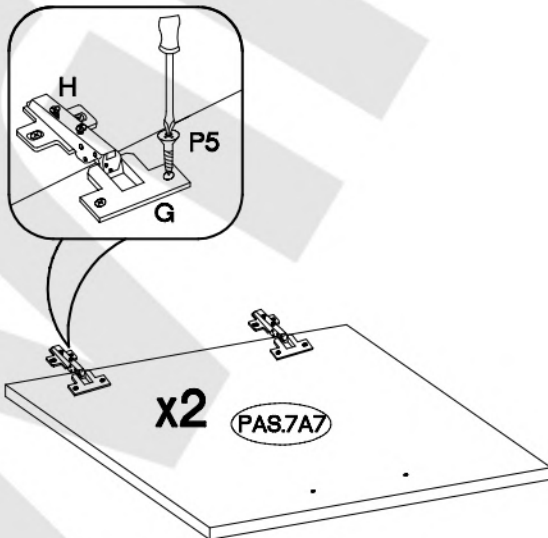
7


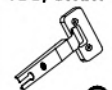



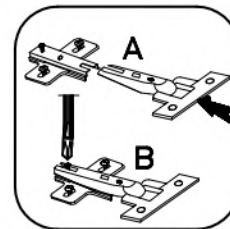
| | | |
|--|--|--|
|  |  |  |
| L | L2 | P7 |
| 6 | 4 | 10 |



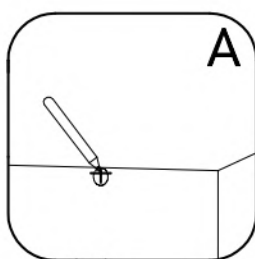
8




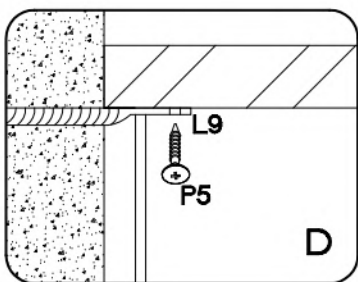
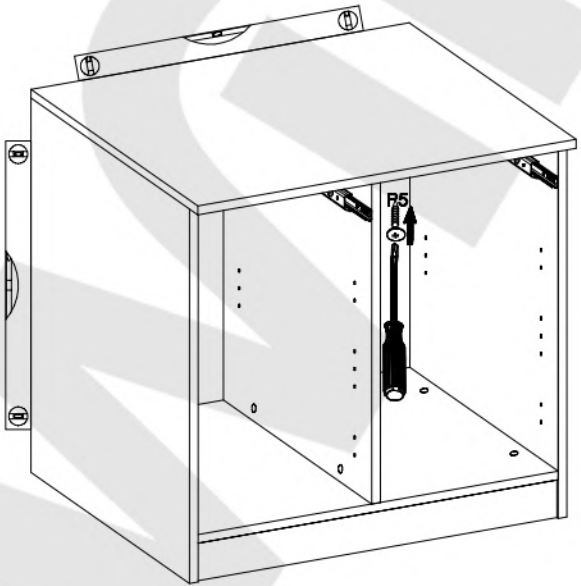
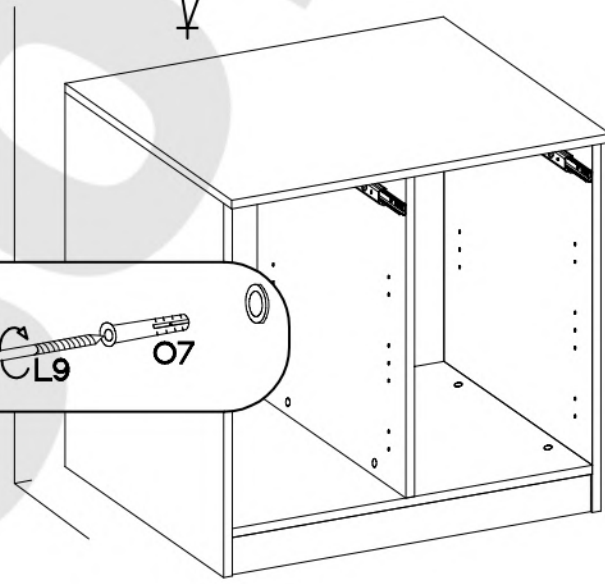
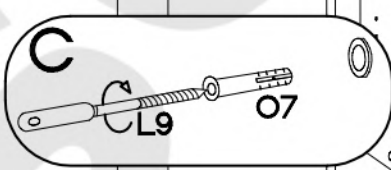
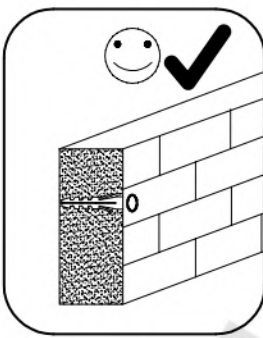
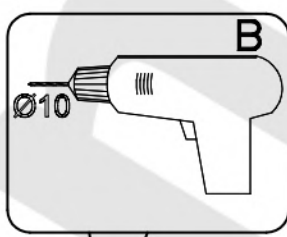
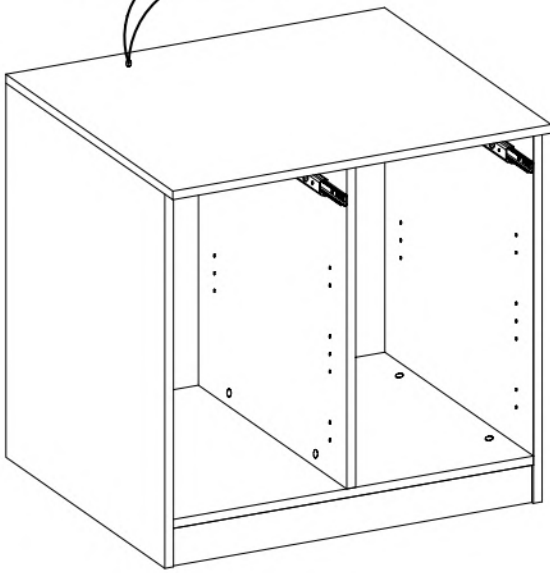
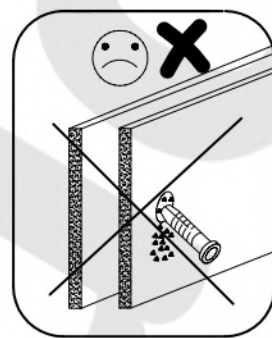
| | | |
|---|---|---|
|  |  |  |
| P5 | G | H |
| 8 | 4 | 4 |






9

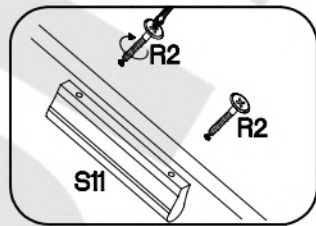
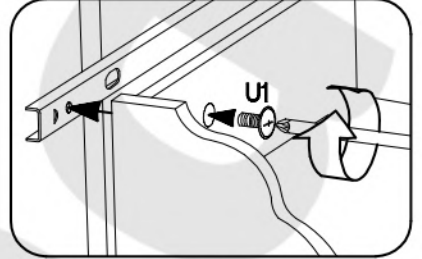
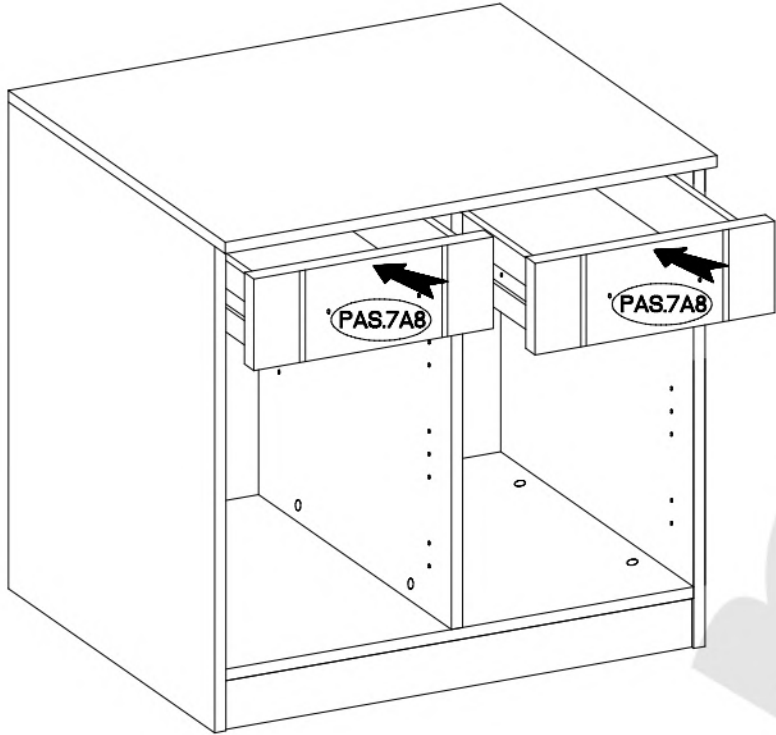


| | | |
|---|----------|-----------|
|  | †10x50mm | †3.5x13mm |
| L9 | O7 | P5 |
| 1 | 1 | 1 |





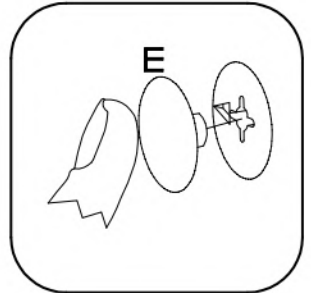
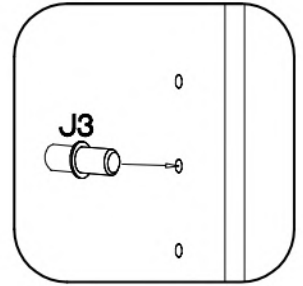
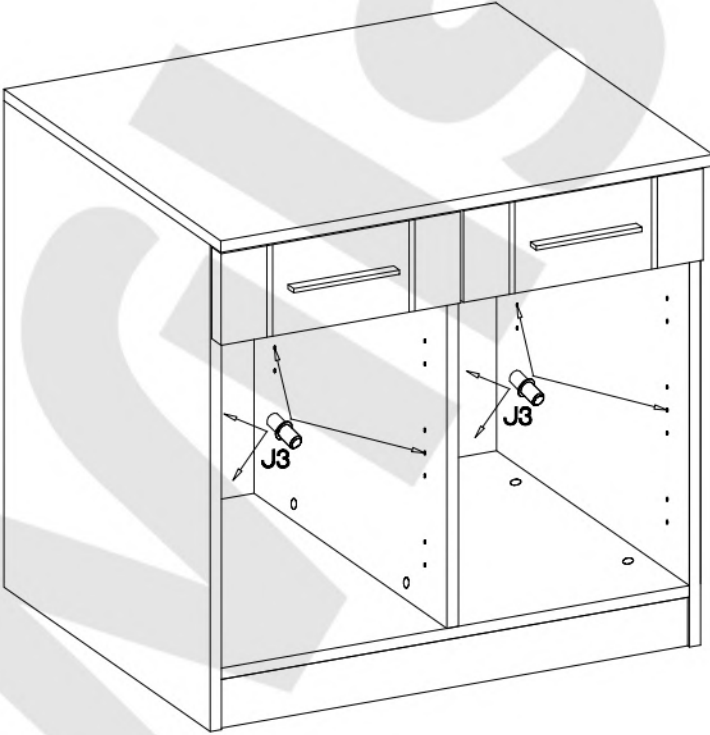
10



| | | |
|---|---|---|
| 4.0x30mm  R2 4 | L=128mm  S11 2 | M4x9mm  U1 4 |
|---|---|---|



11

| | |
|---|---|
|  J3 12 |  E 8 |
|---|---|



| | |
|--|--|
| 4.0x30mm | L=128mm |
|  |  |
| R2 | S11 |
| 4 | 2 |

