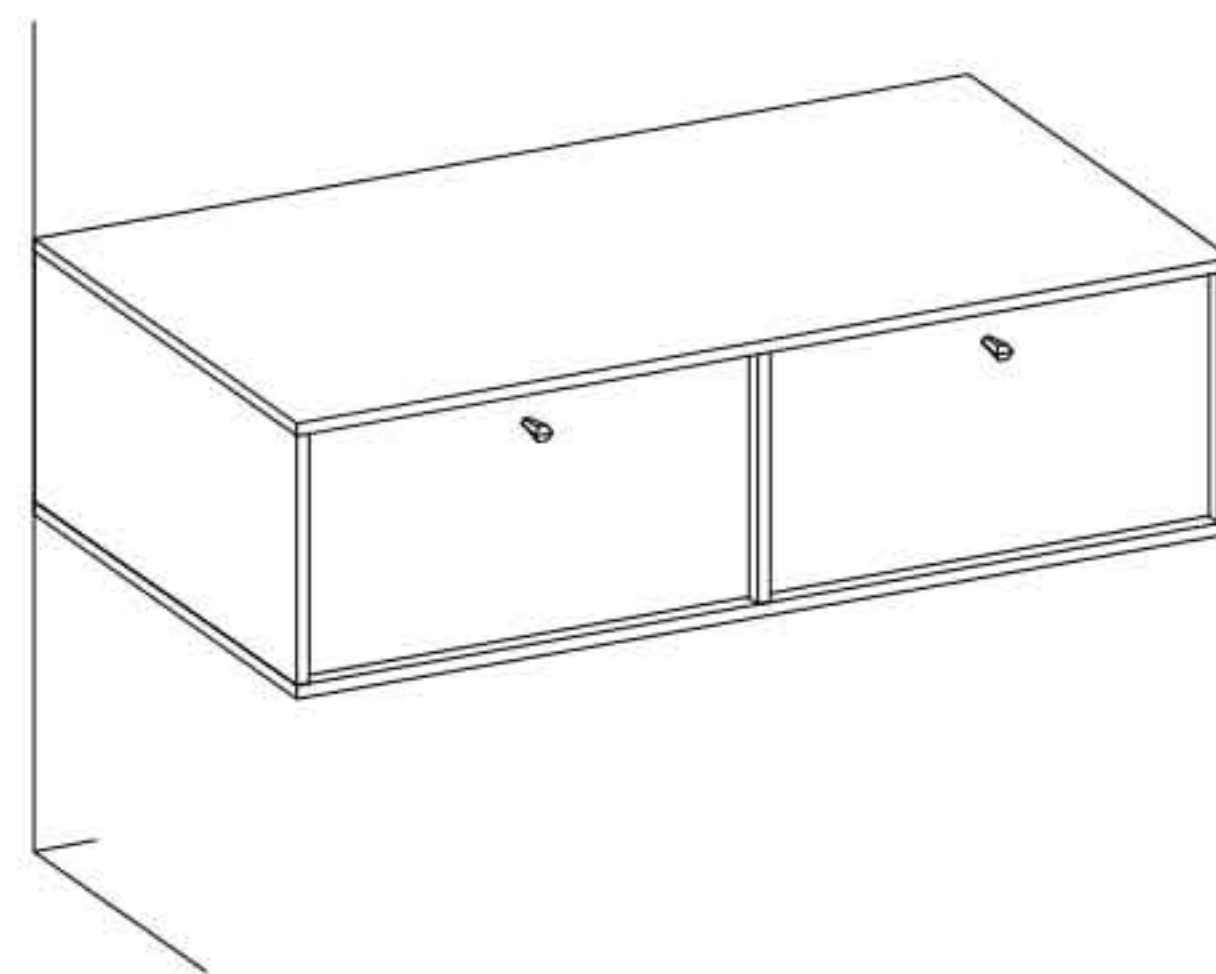
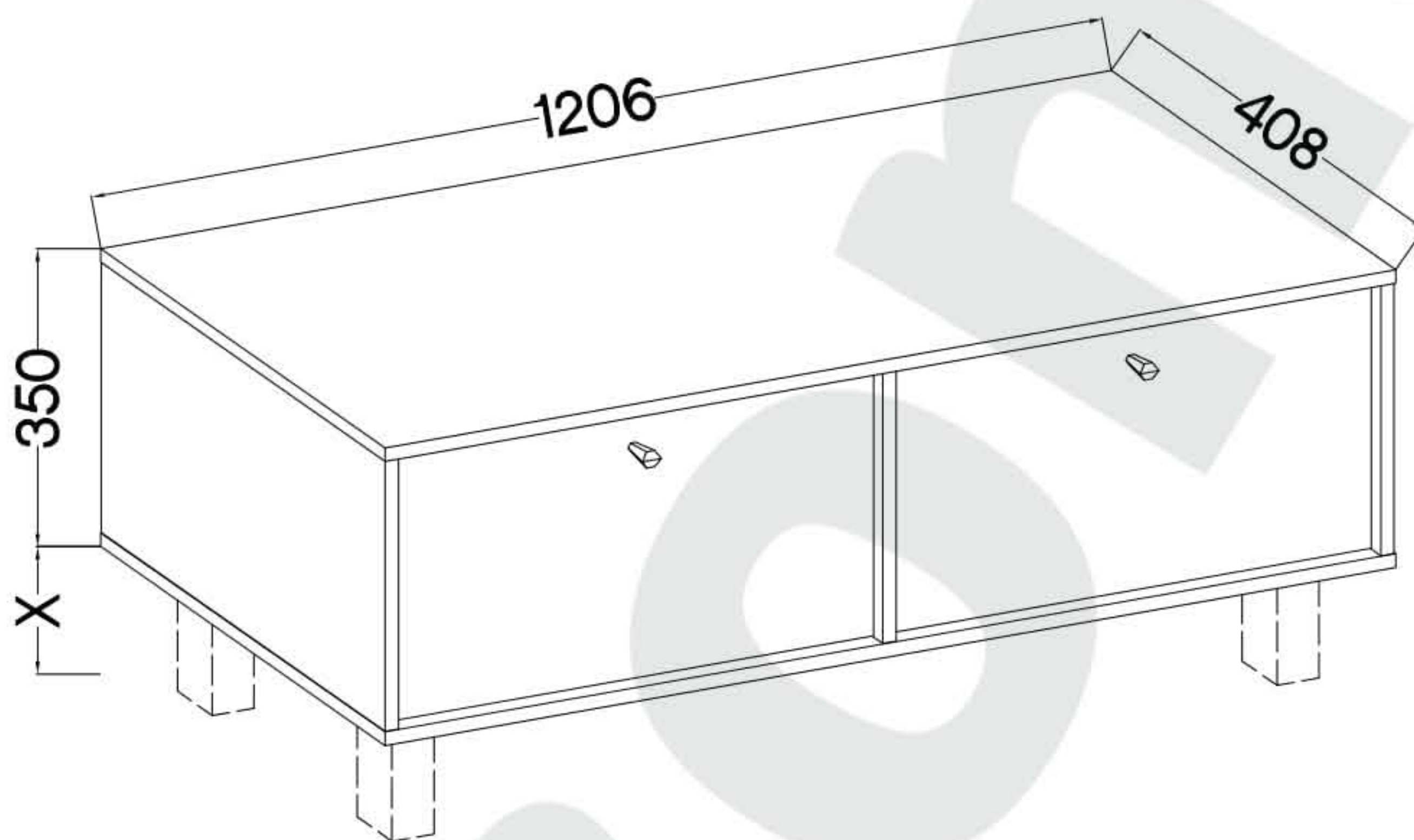


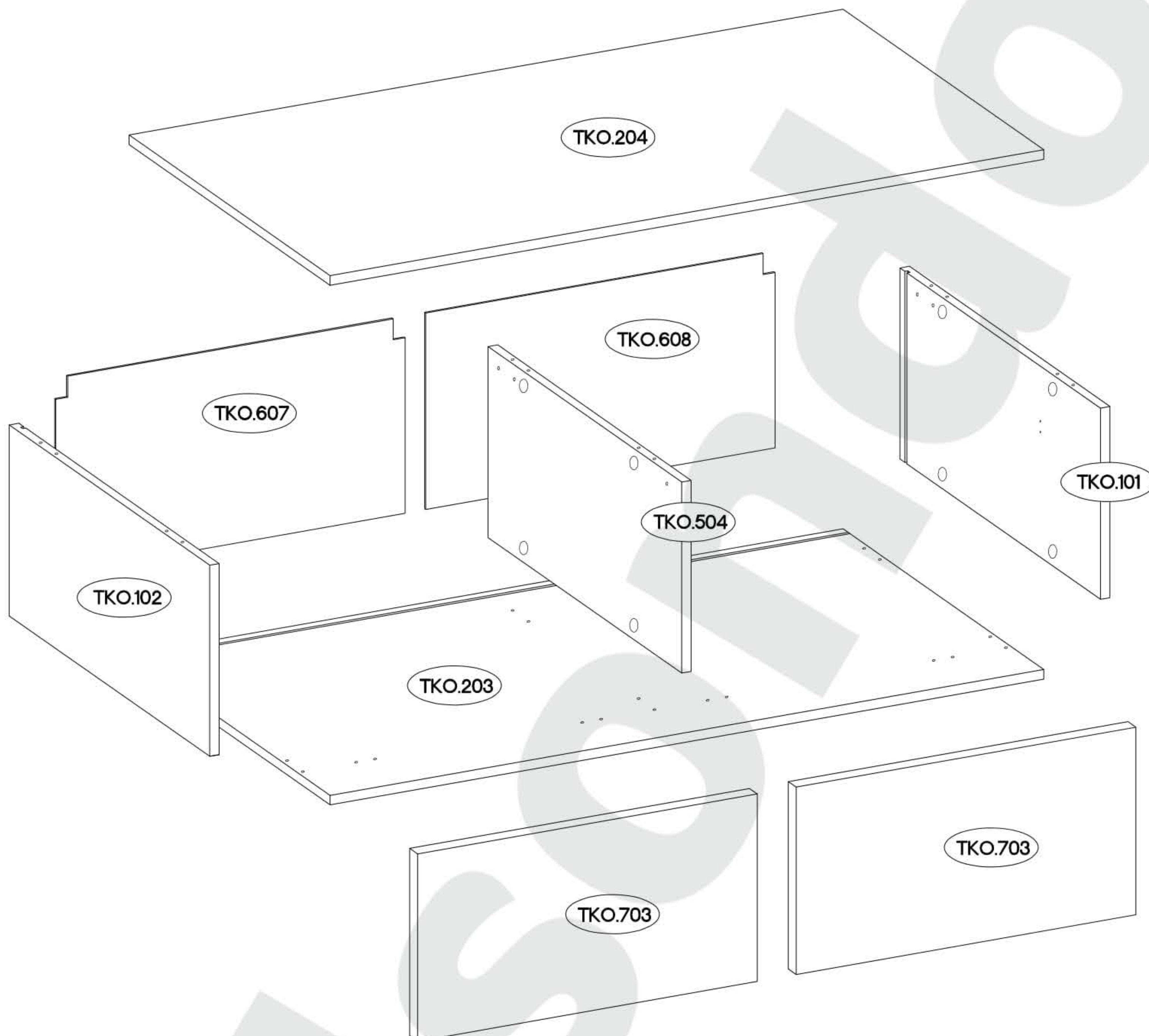
60 min


TYP 302



†8x30mm A 12	†15/12mm C 12	L=20mm D2 12	†20 E11 12	†35/16mm HG2 4	 J12 2	L K25 1	R K26 2	L=270mm 80 N K33 2	BARKOWY L 8	 L2 3	†10x50mm O7 3	6,5/68mm O4 3	†3.5x13mm P5 8	†3.0x20mm P7 3	†4.0x30mm P8 6	 S 2	M4x22mm U 2
-------------------------------	--------------------------------	-------------------------------	-----------------------------	---------------------------------	---------------------	---------------------------------	---------------------------------	--	-------------------------------------	--------------------	--------------------------------	--------------------------------	---------------------------------	---------------------------------	---------------------------------	-------------------	------------------------------

ISM-TKO-002



	Ersatzteil Nummer	Dimension
	TKO.101	318x407x16
	TKO.102	318x407x16
	TKO.504	318x393x16
	TKO.203	1206x408x16
	TKO.204	1206x408x16
	TKO.607	590x327x2,5
	TKO.608	590x327x2,5
	TKO.703 x2	312x574x16

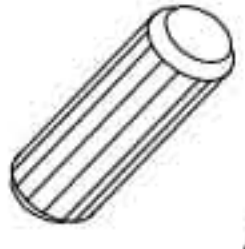

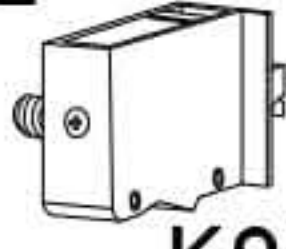
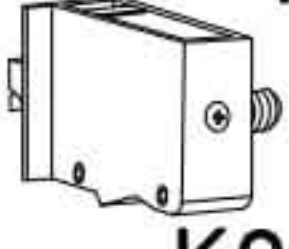
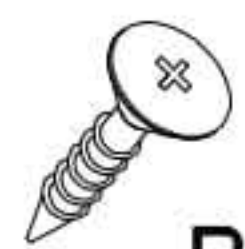


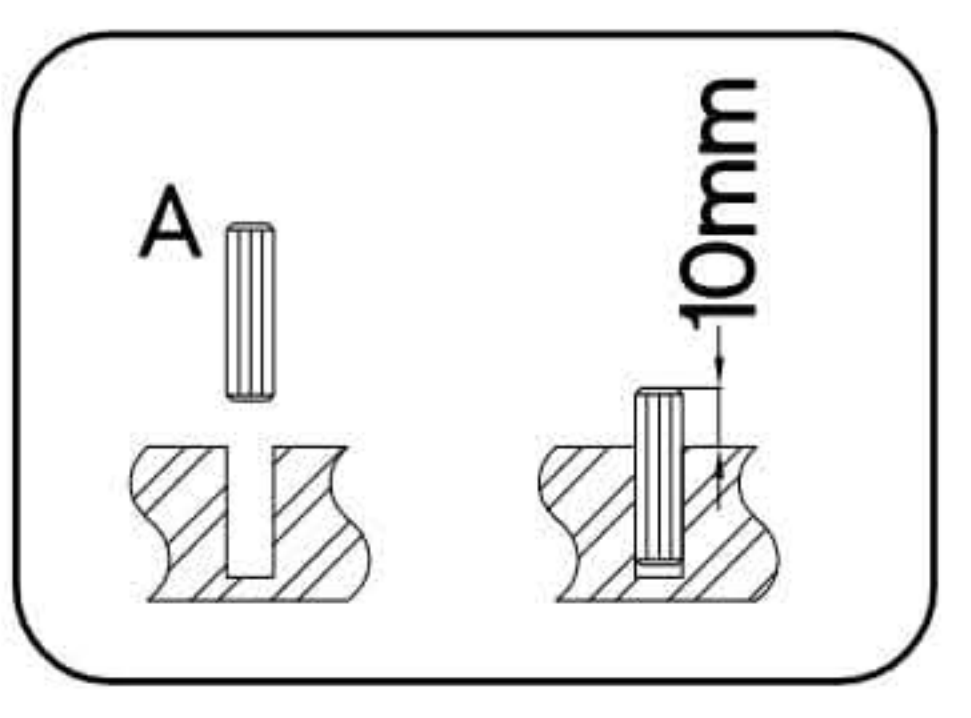
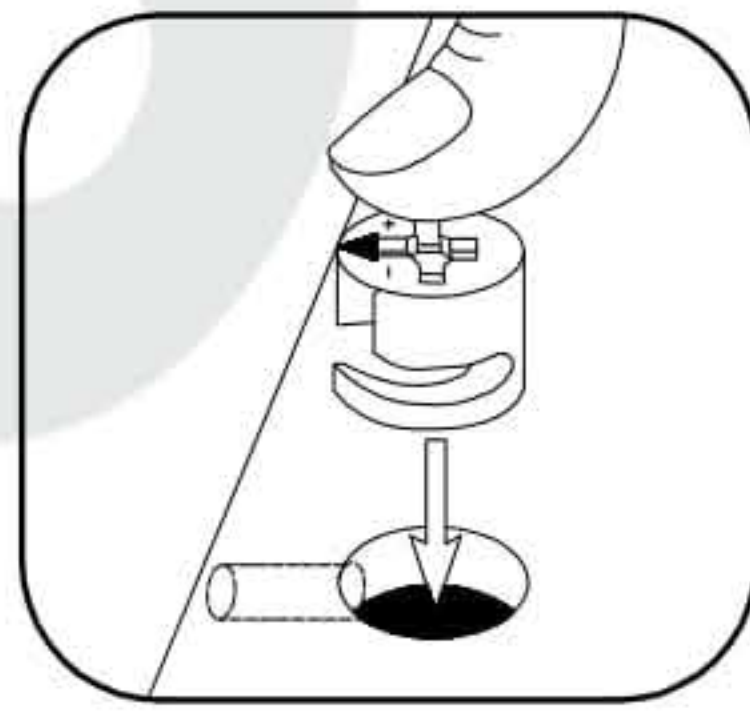
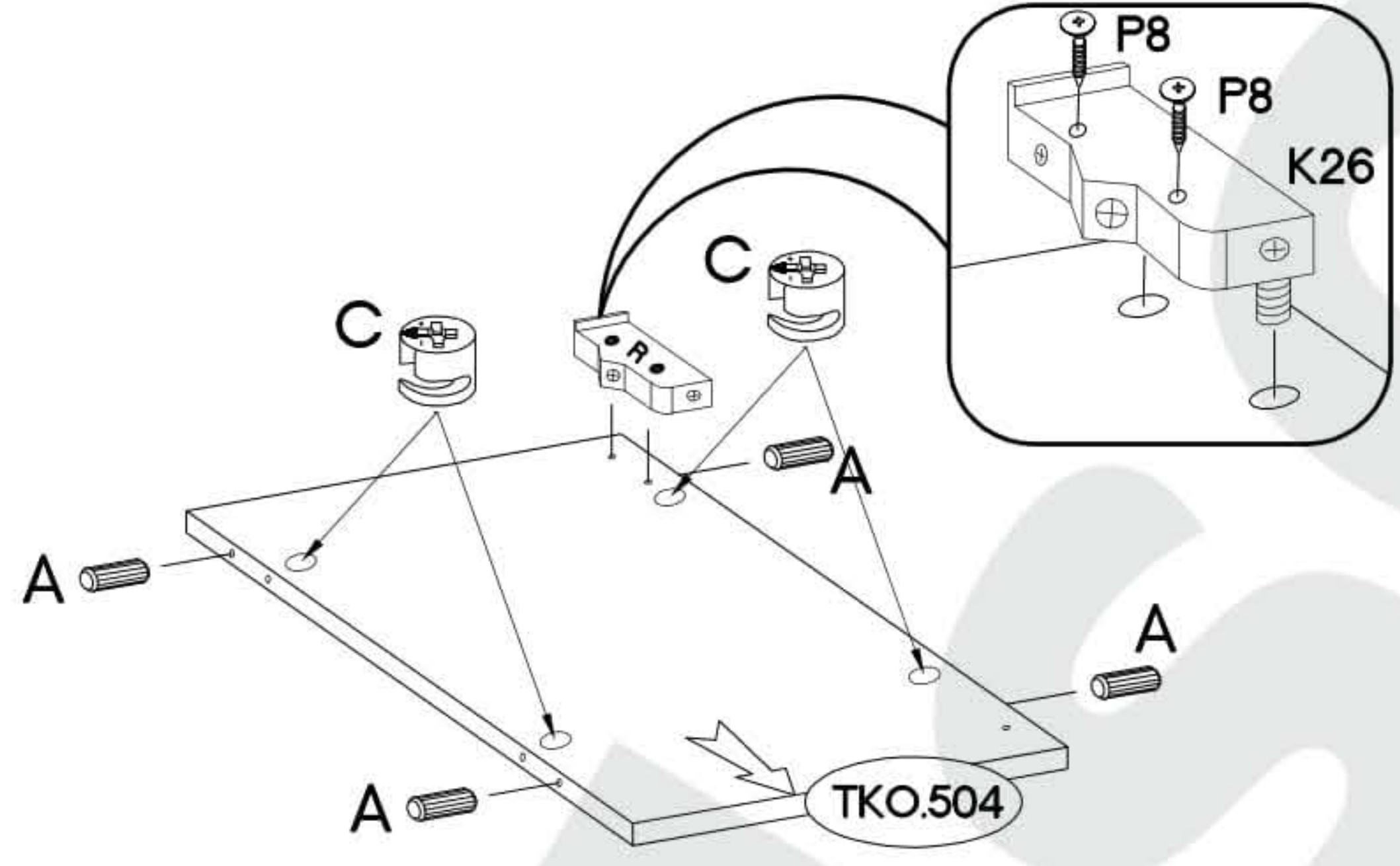
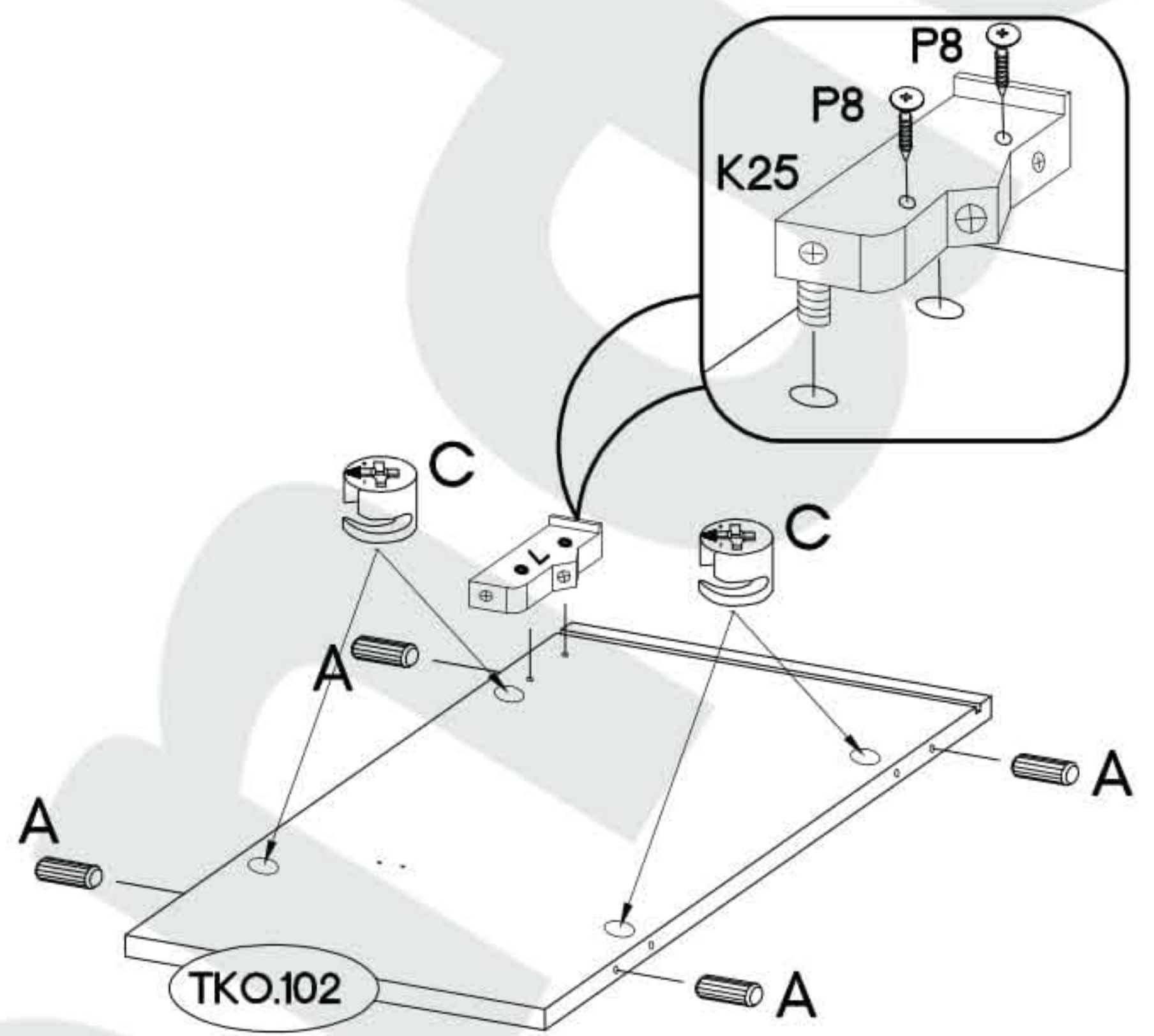
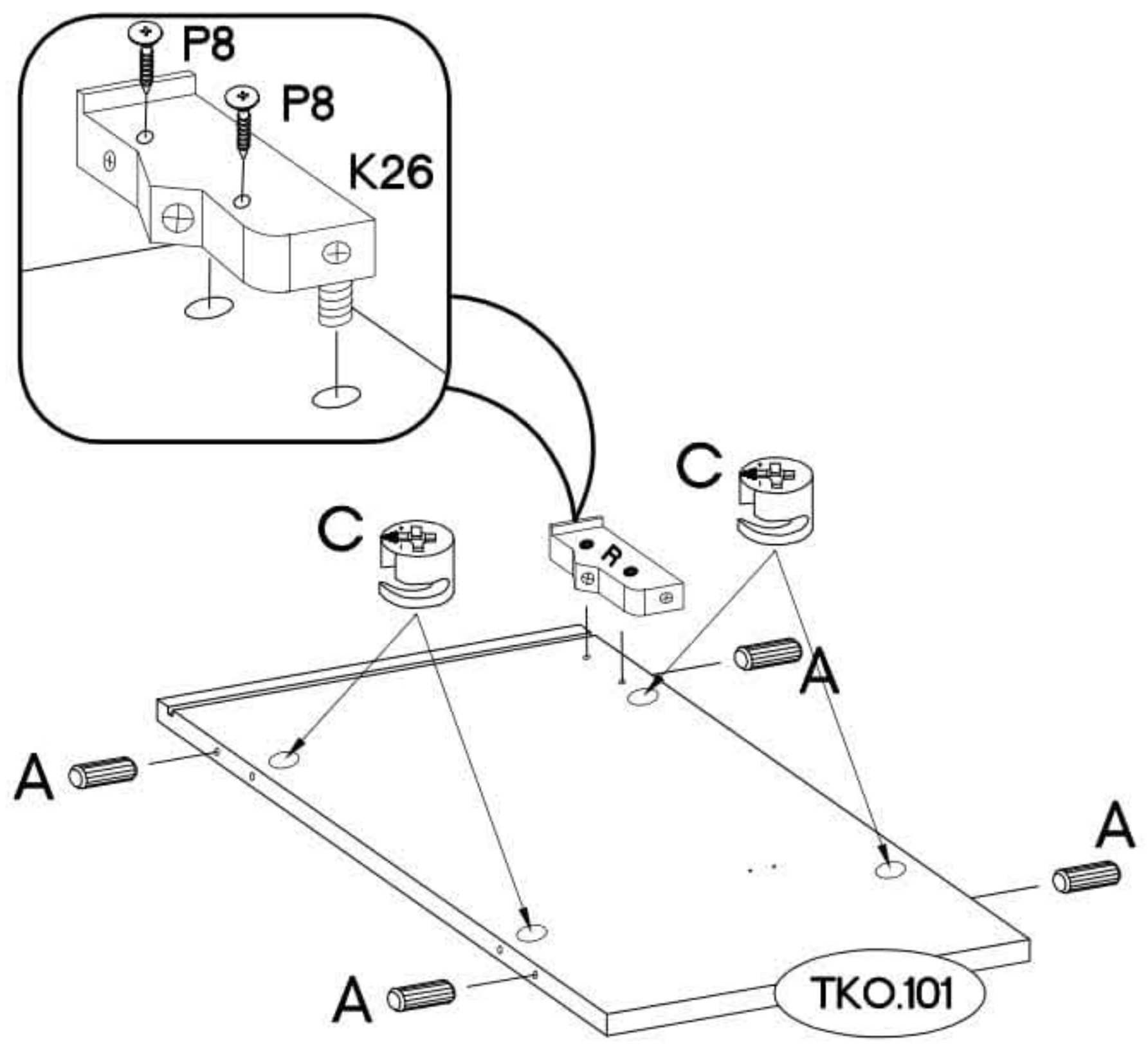
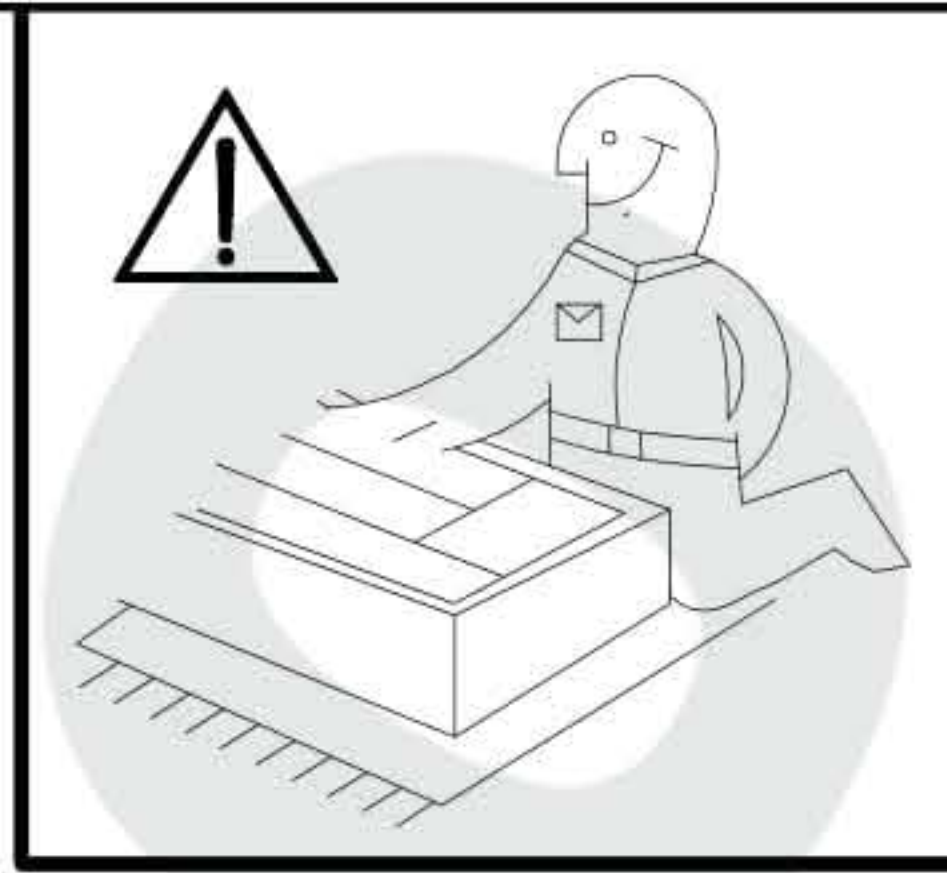
TKO.204




TKO.203

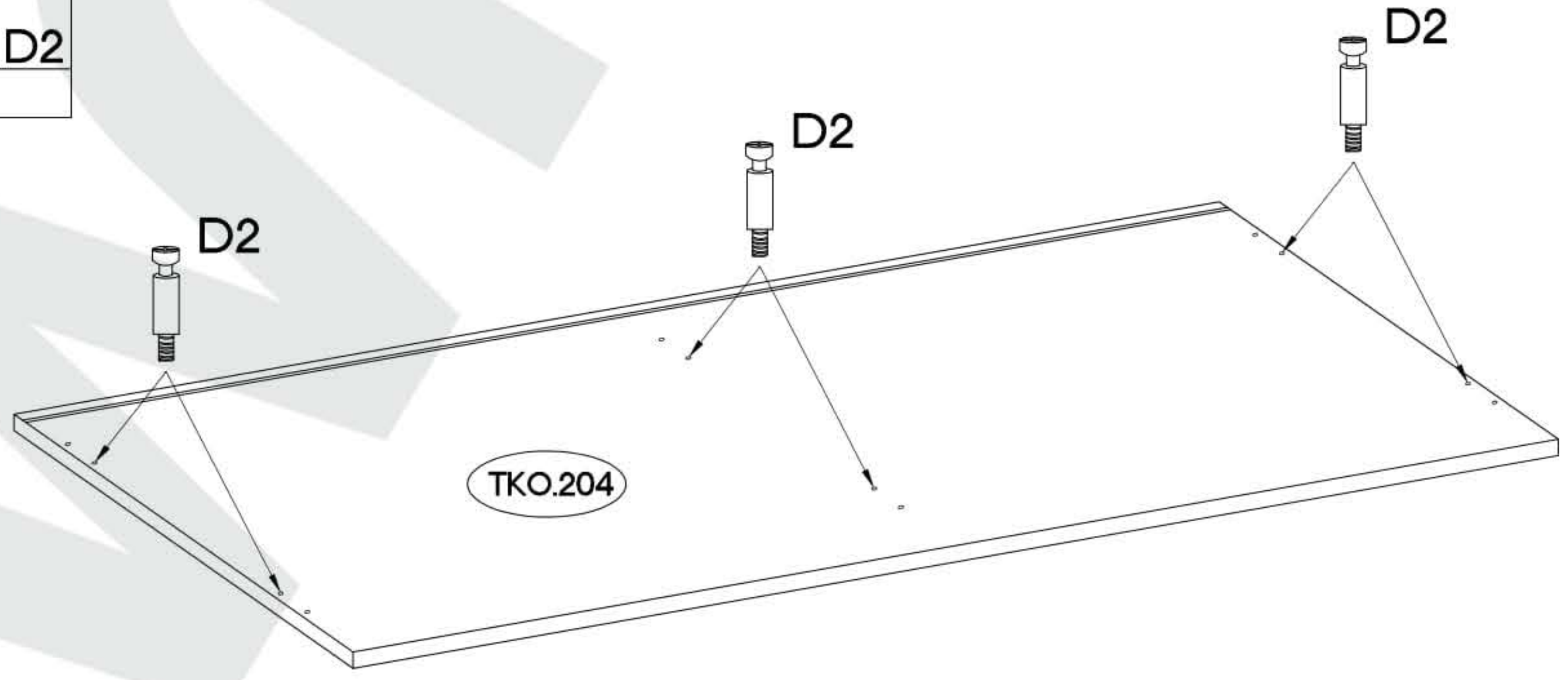
1

$\varnothing 8 \times 30 \text{mm}$  A 12	$\varnothing 15/12 \text{mm}$  C 12	L  K25 1	R  K26 2	$\varnothing 4.0 \times 30 \text{mm}$  P8 6
---	---	---	---	--

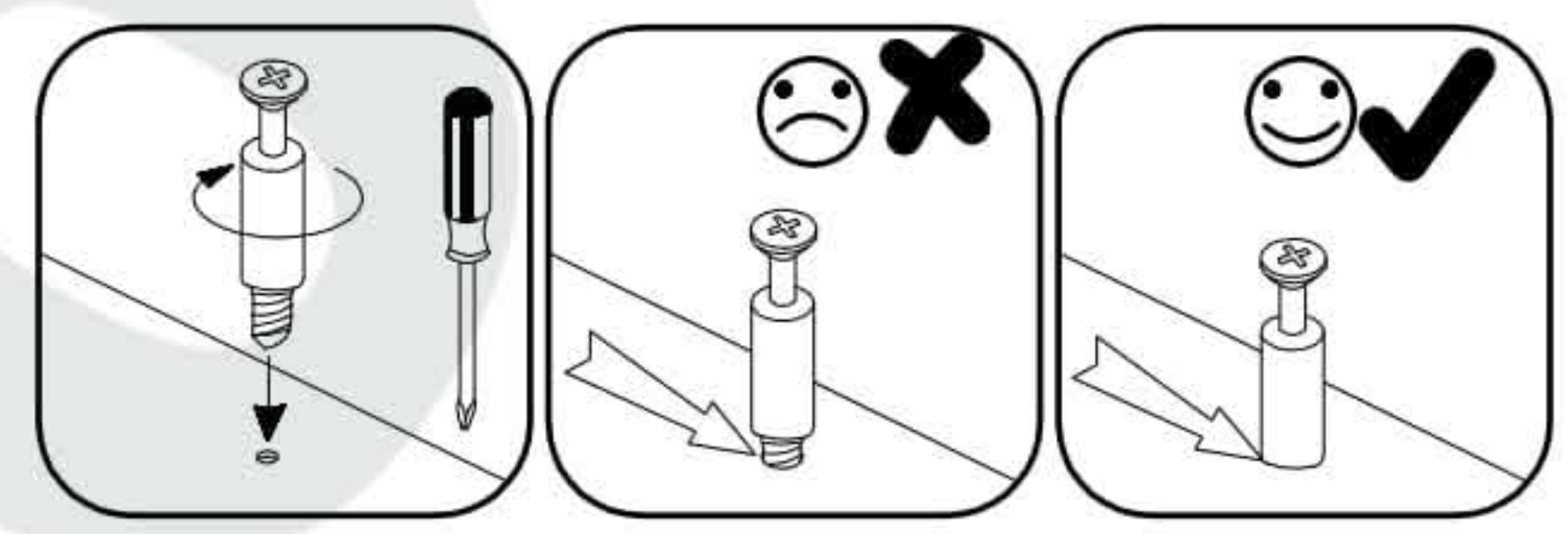
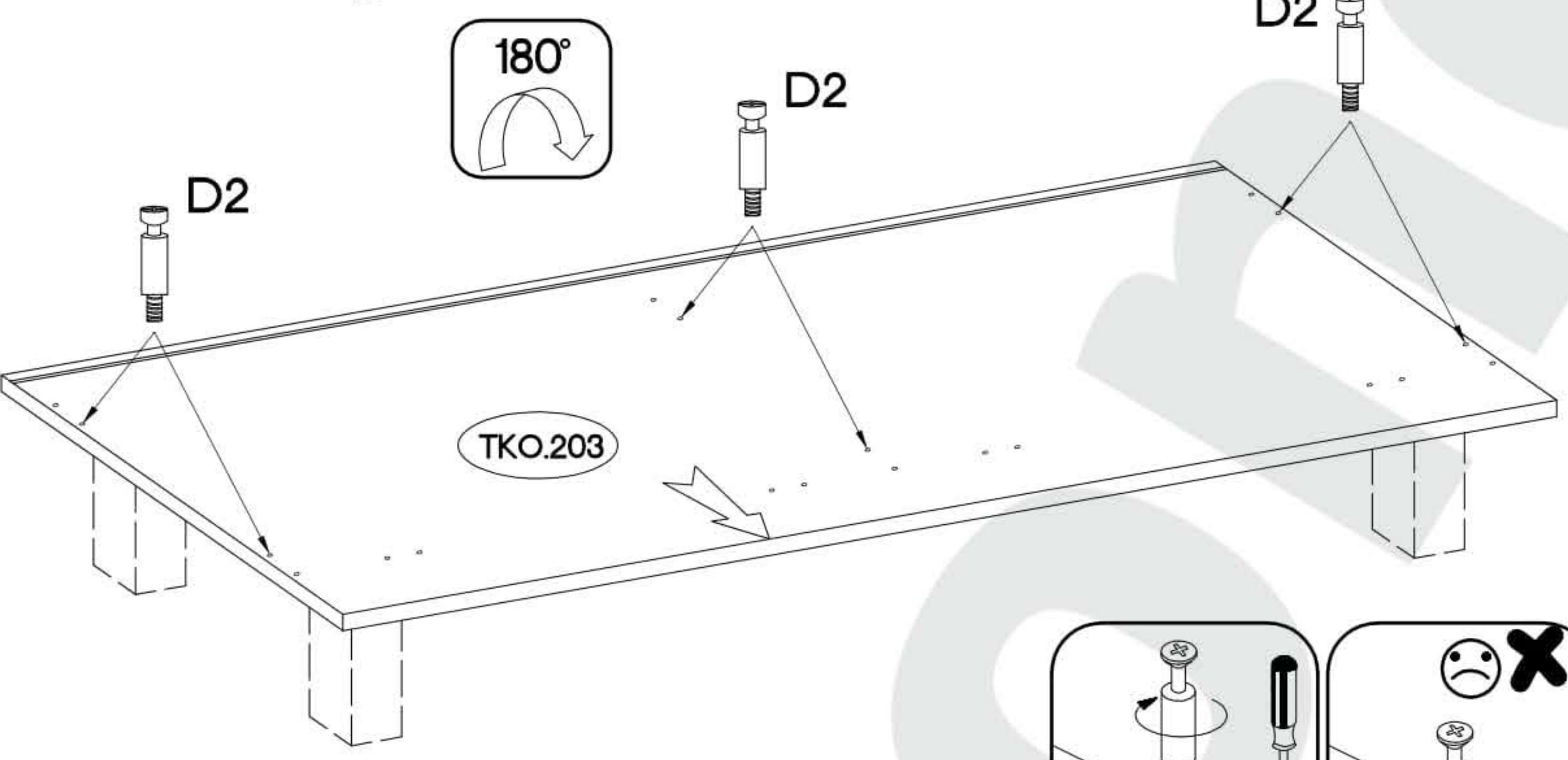
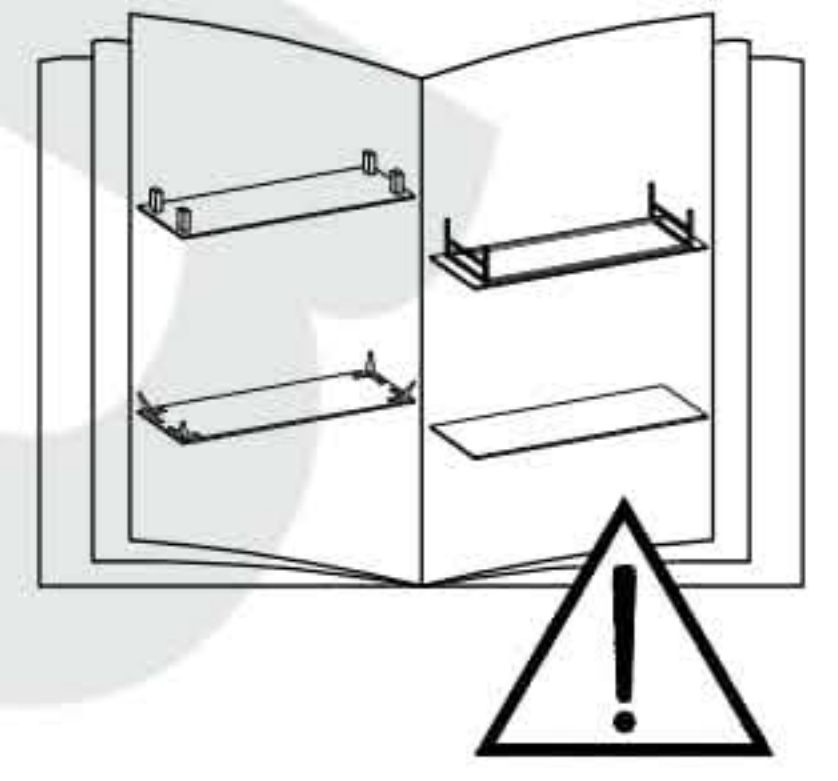
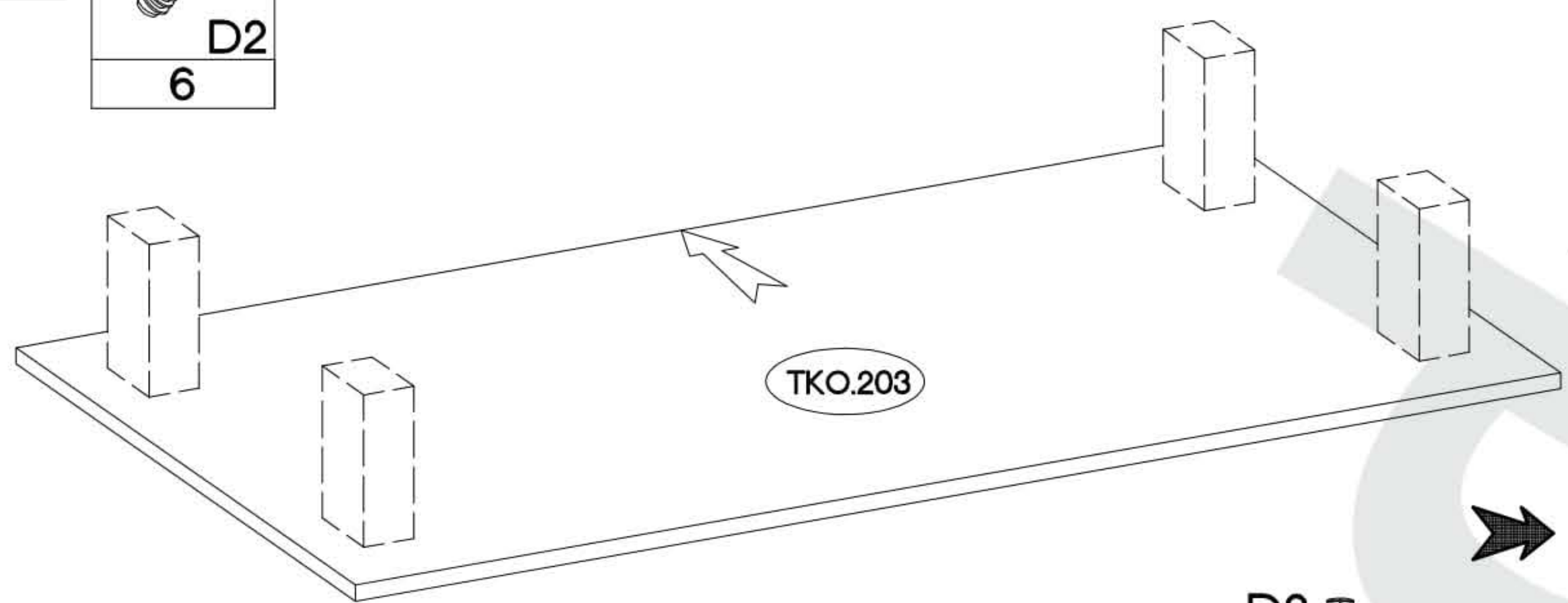
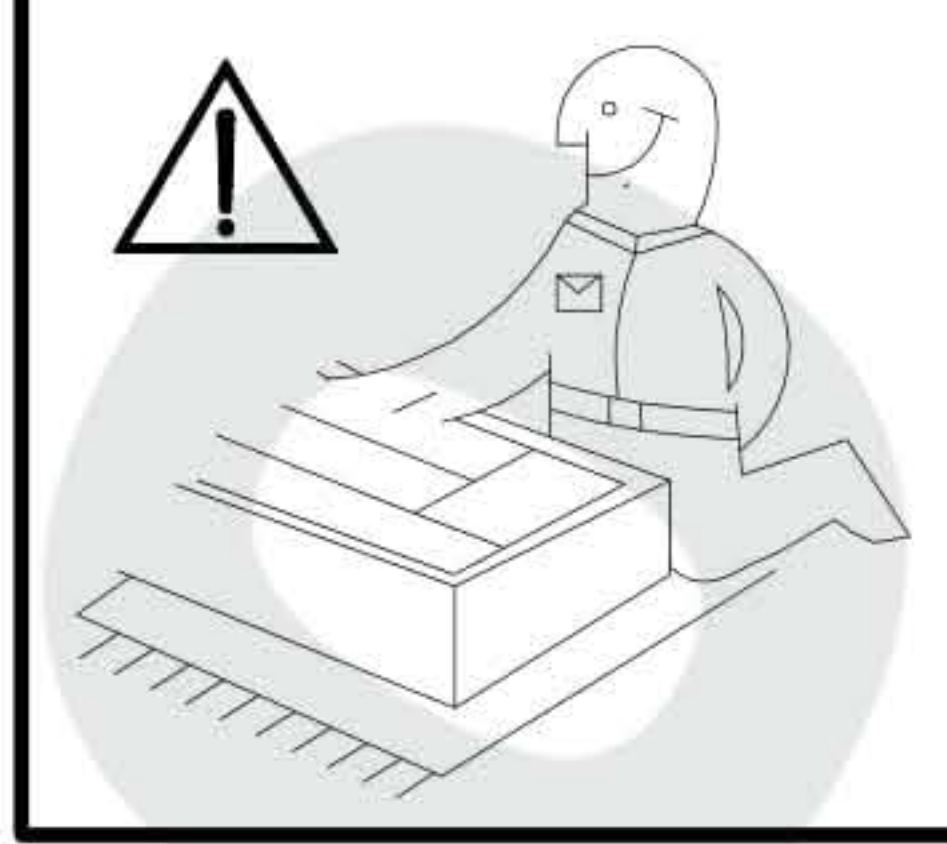


2

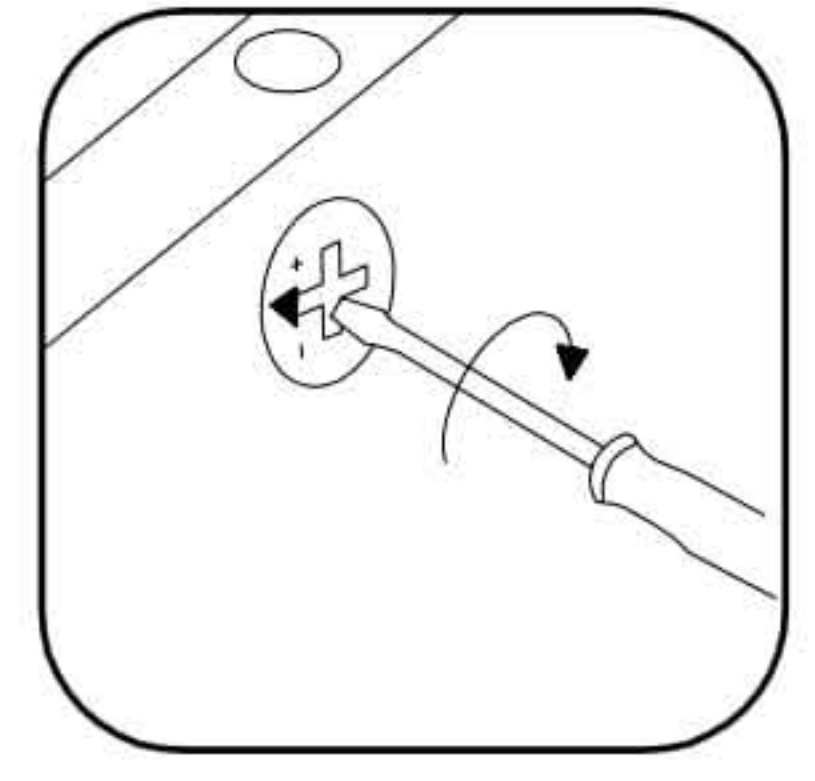
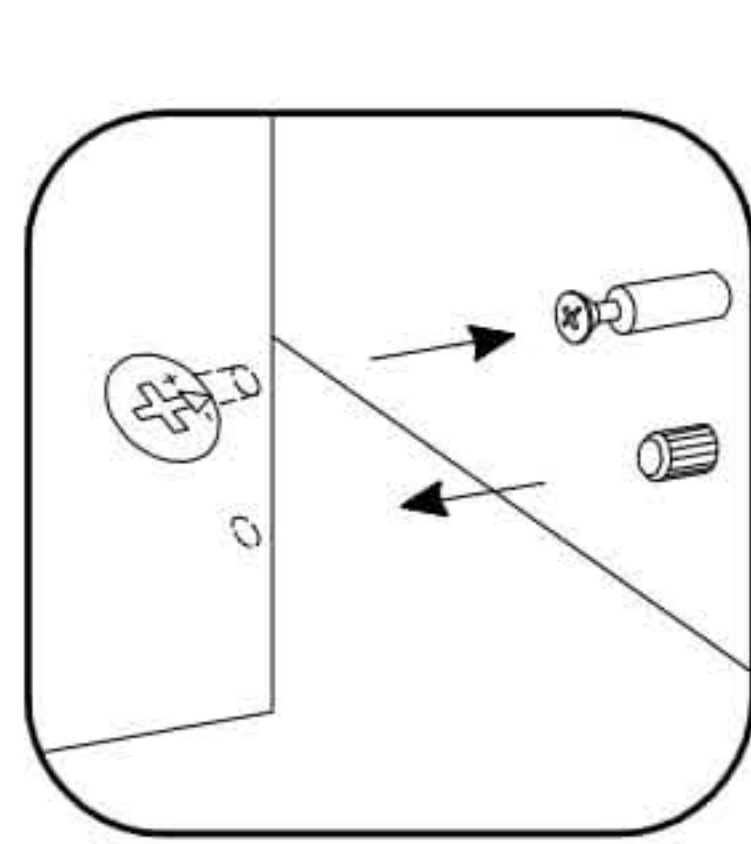
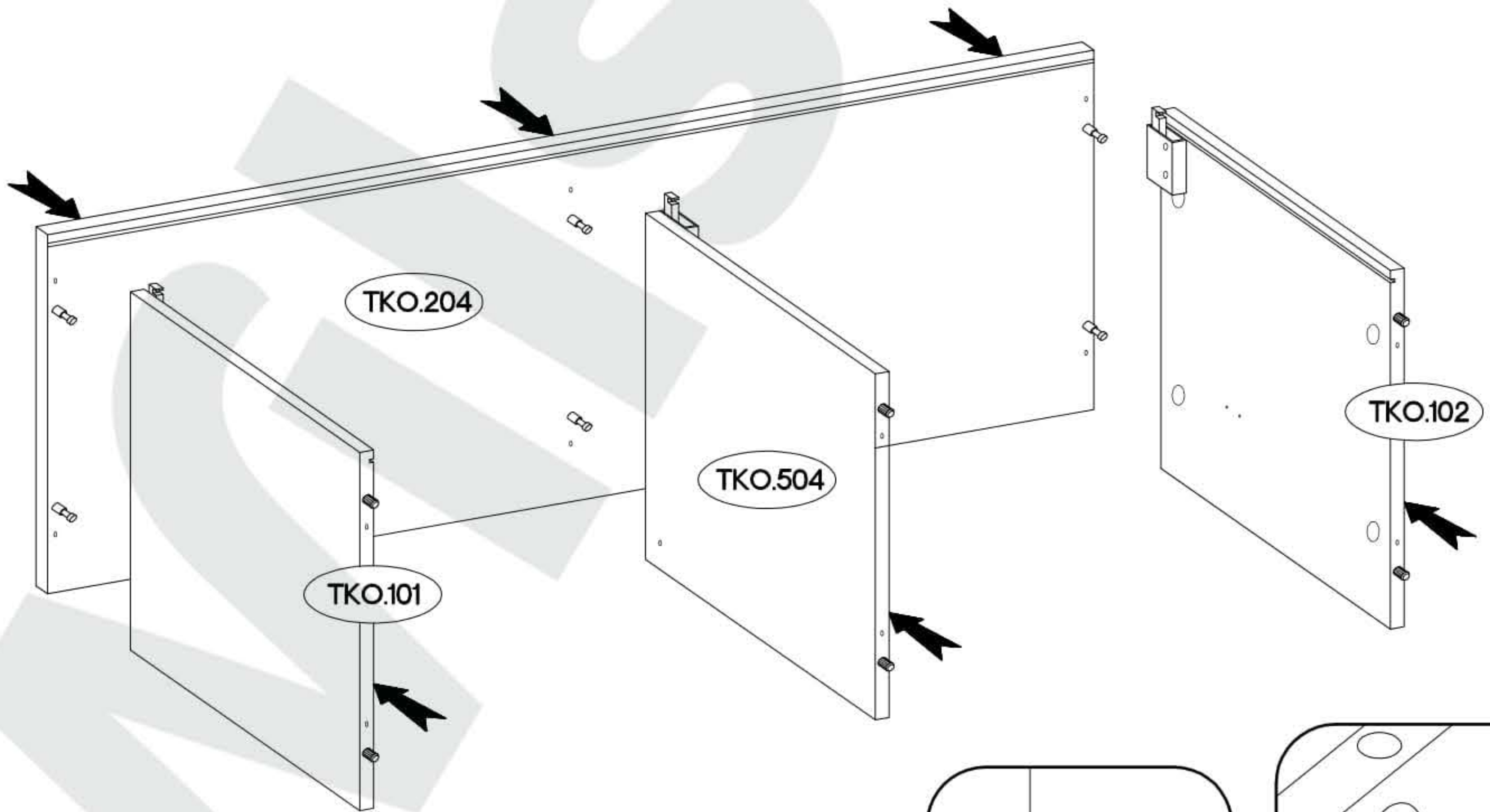
$L=20 \text{mm}$  D2 6




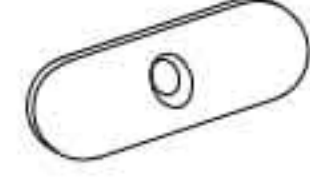
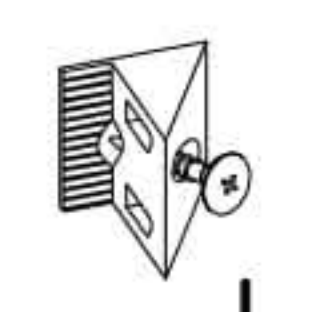
3

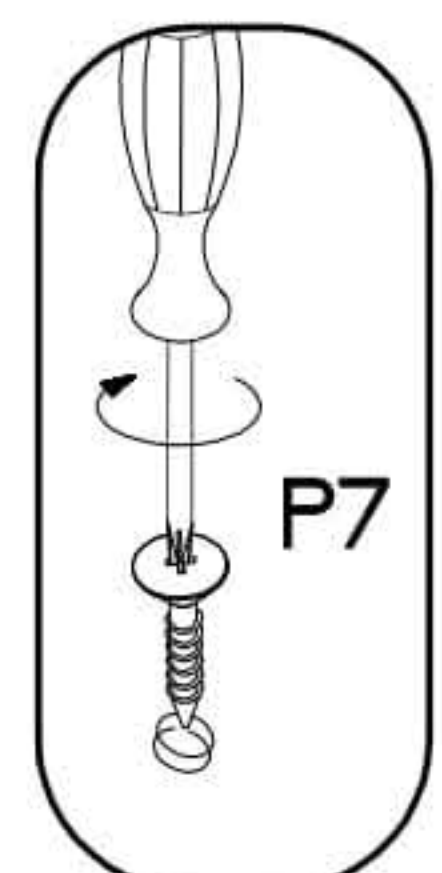
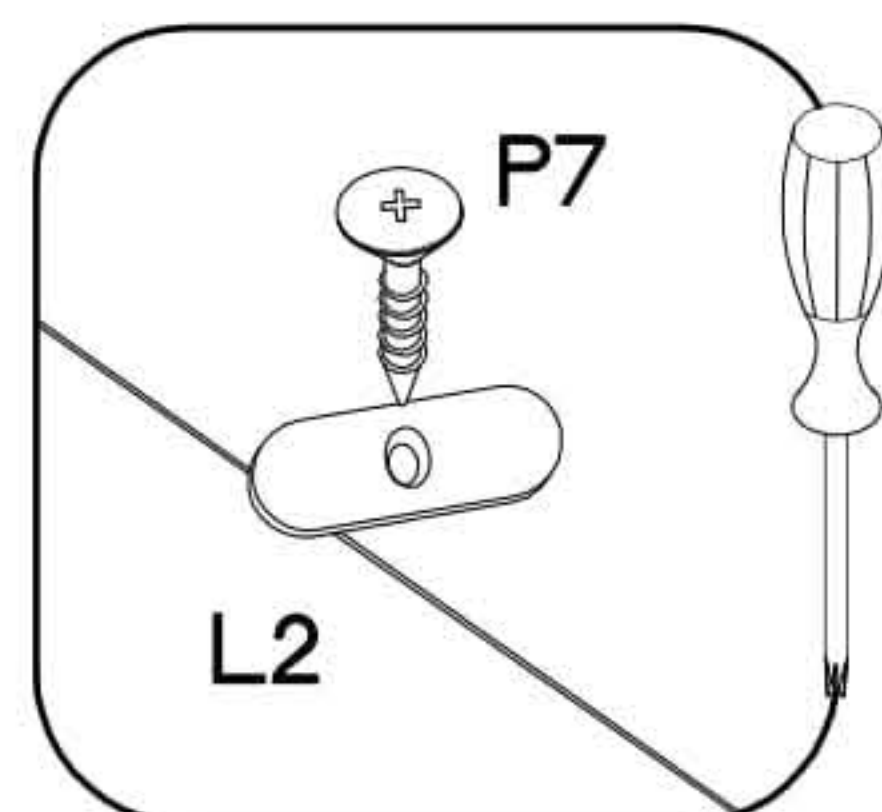
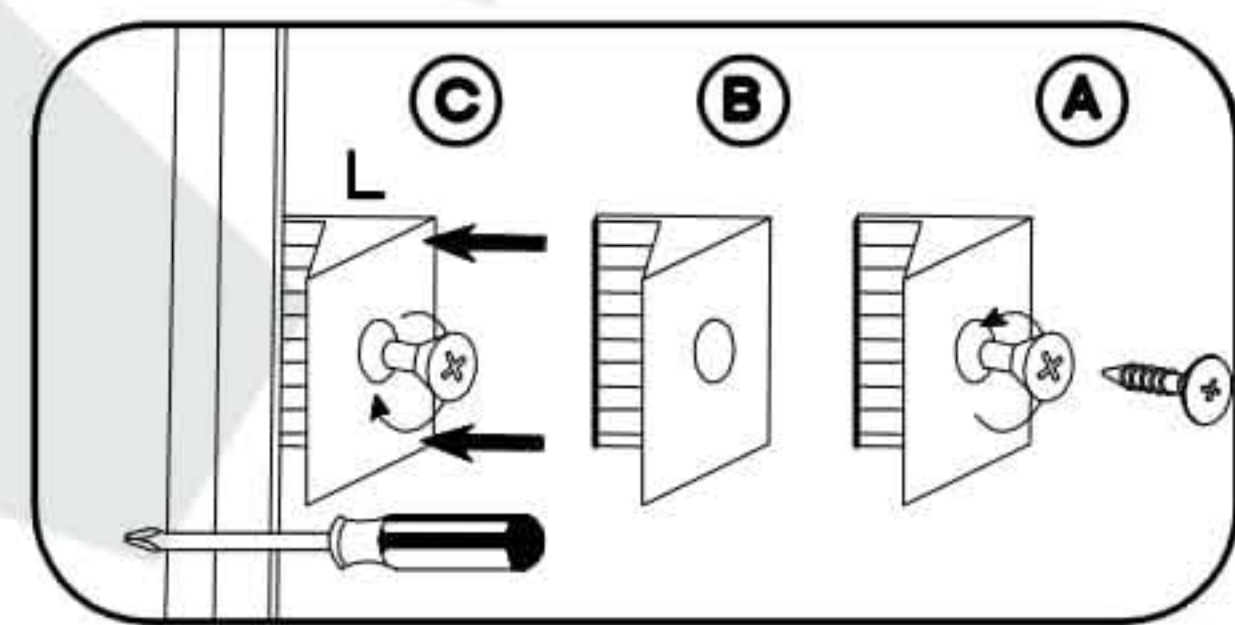
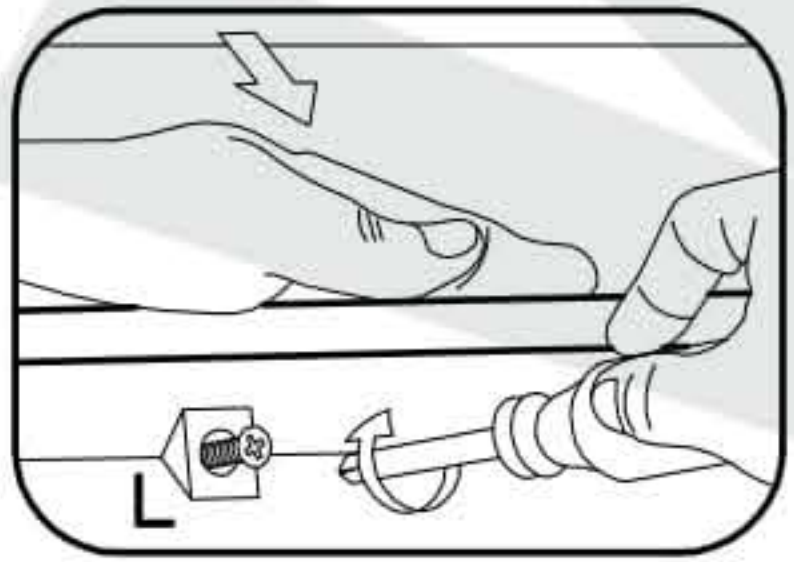
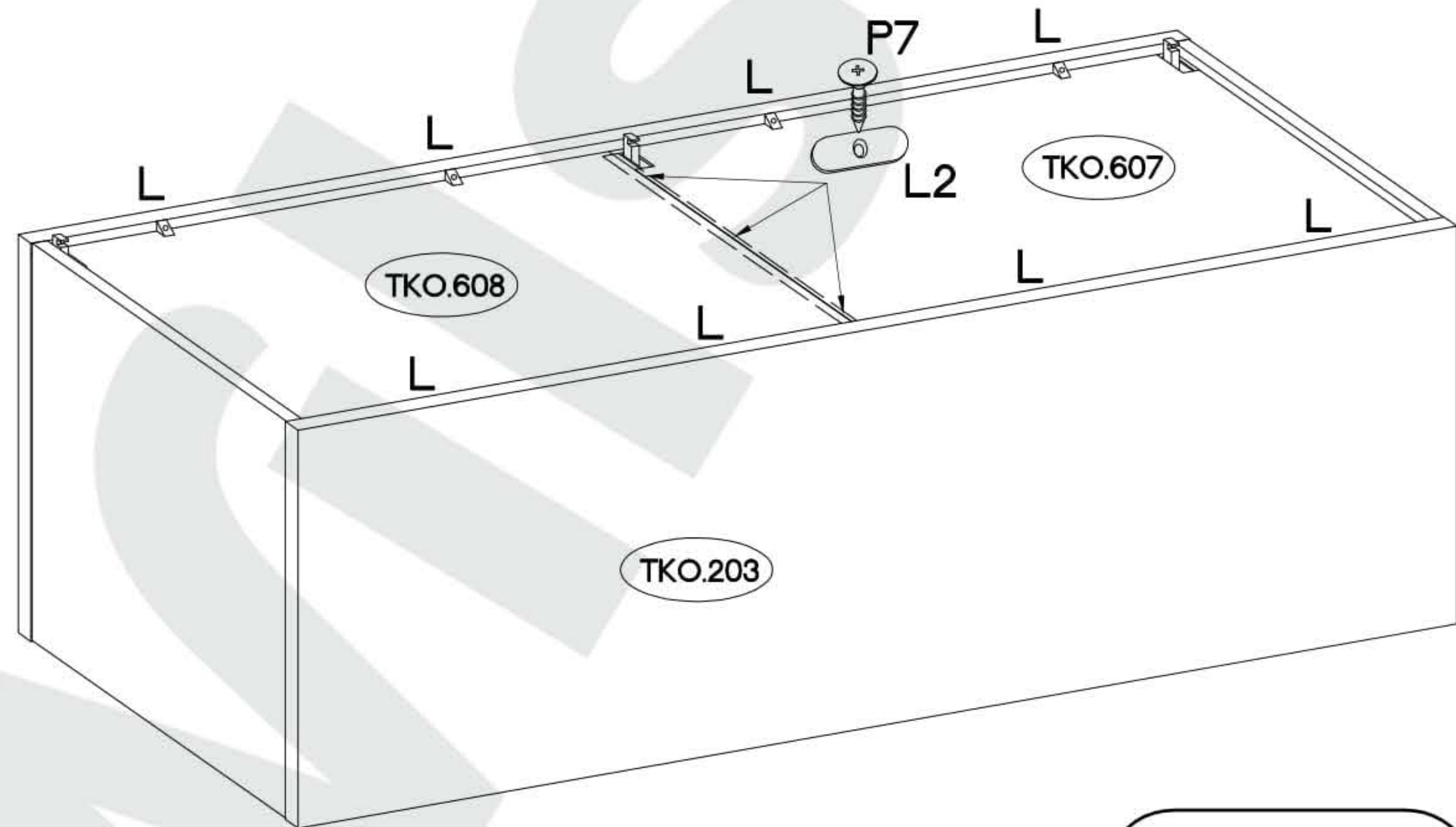
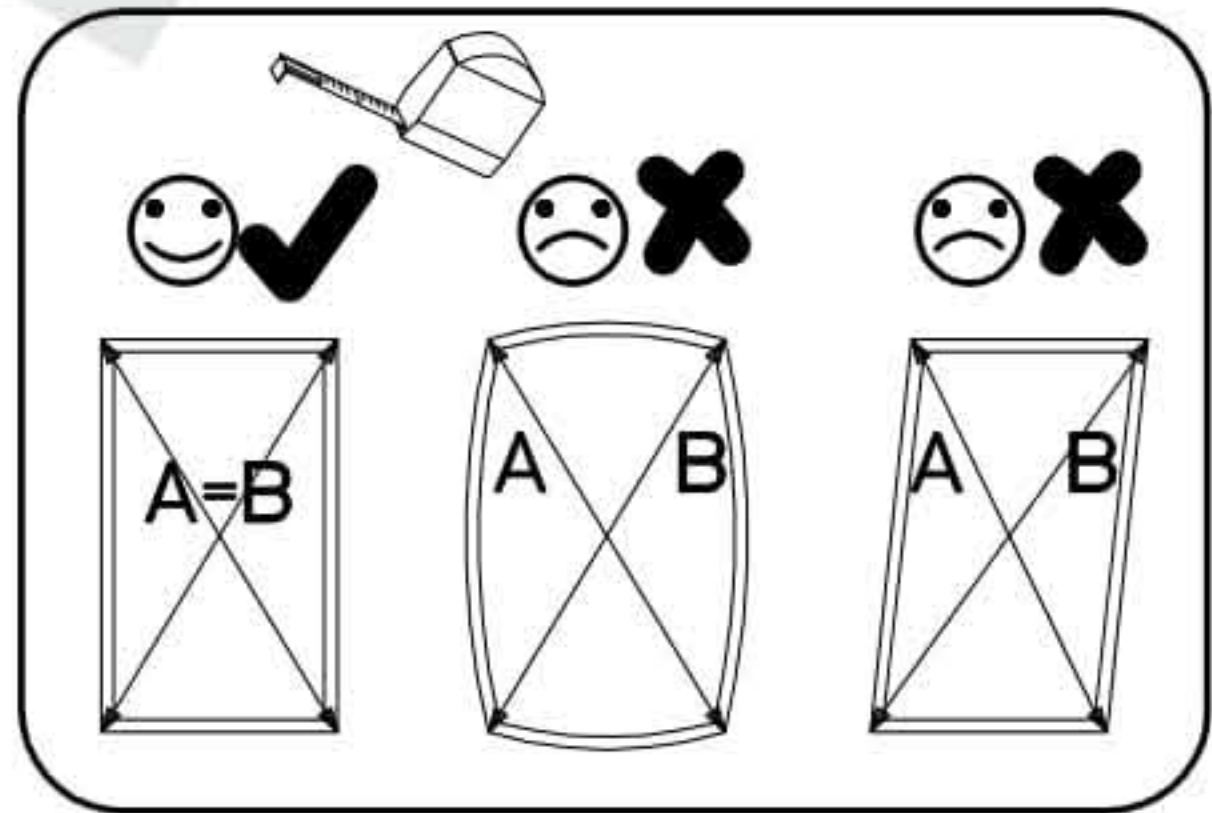
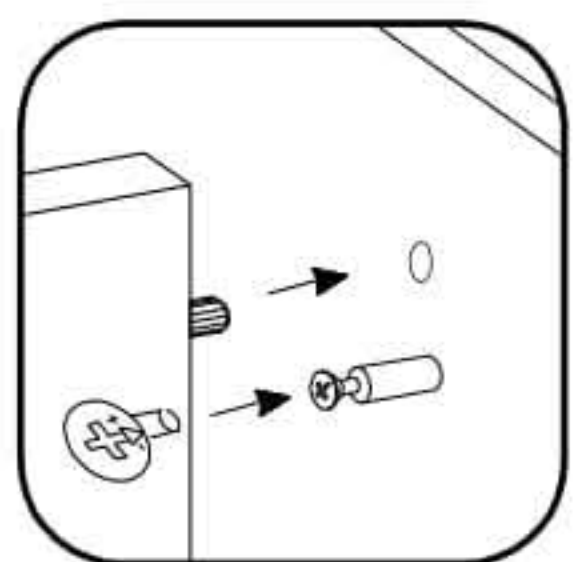
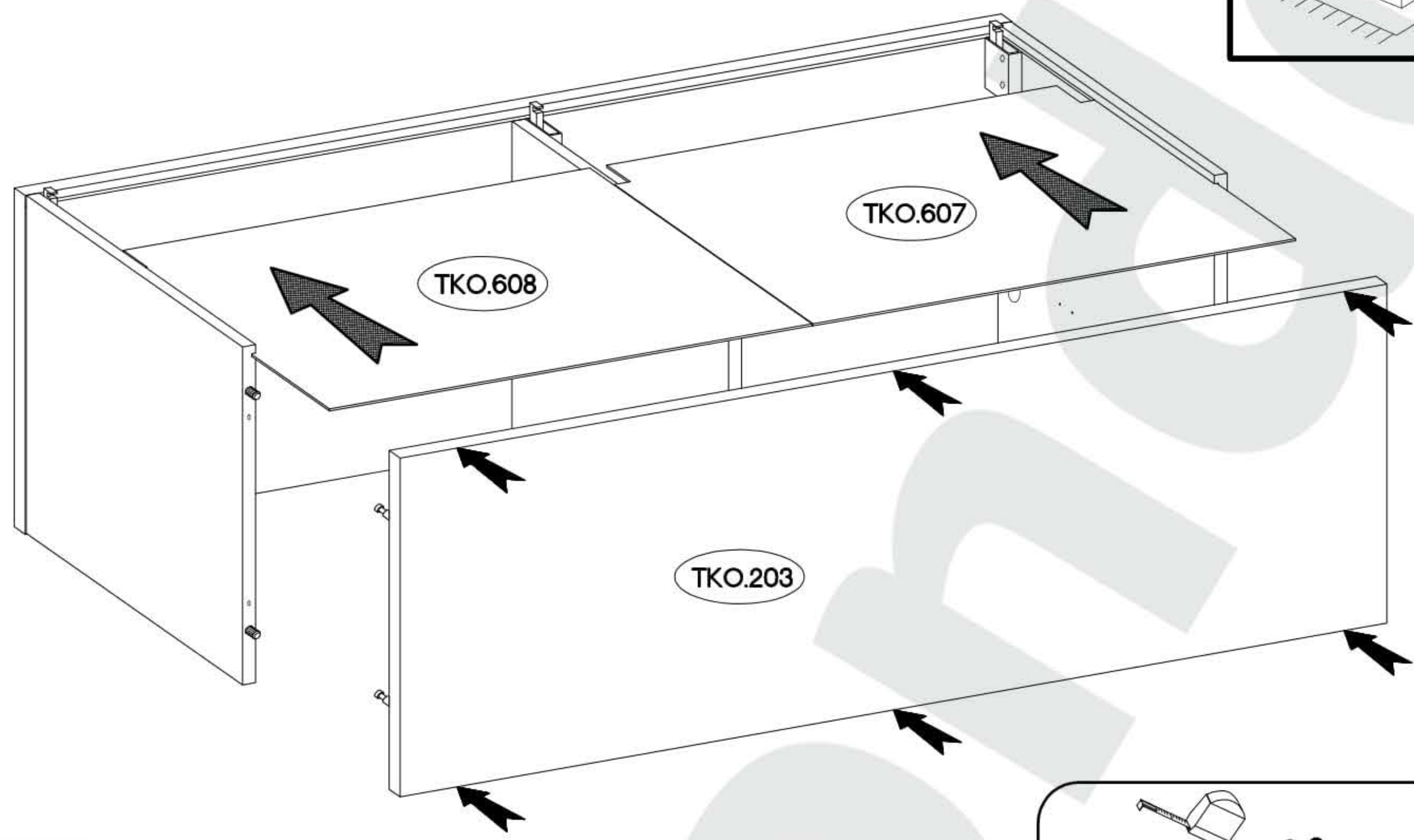
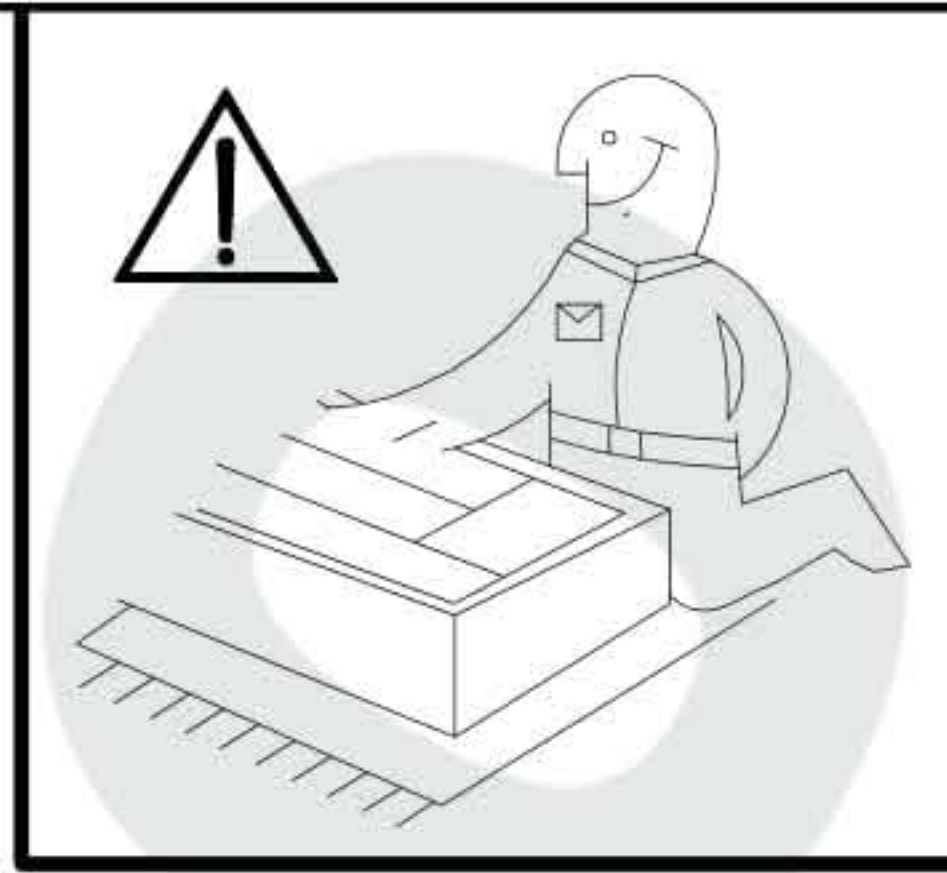


4



5

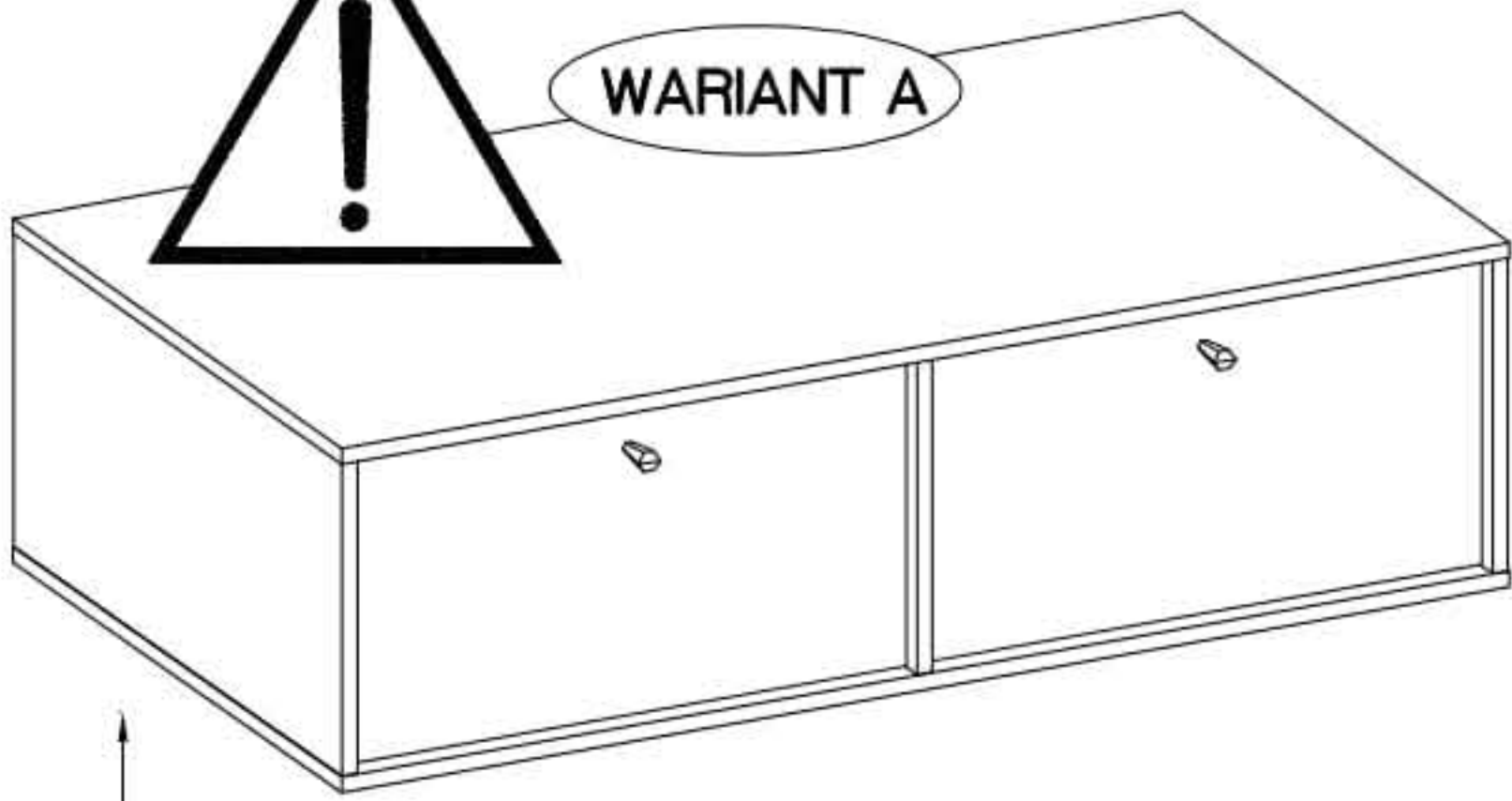
+3.0x20mm		
		
P7	L2	L
3	3	8



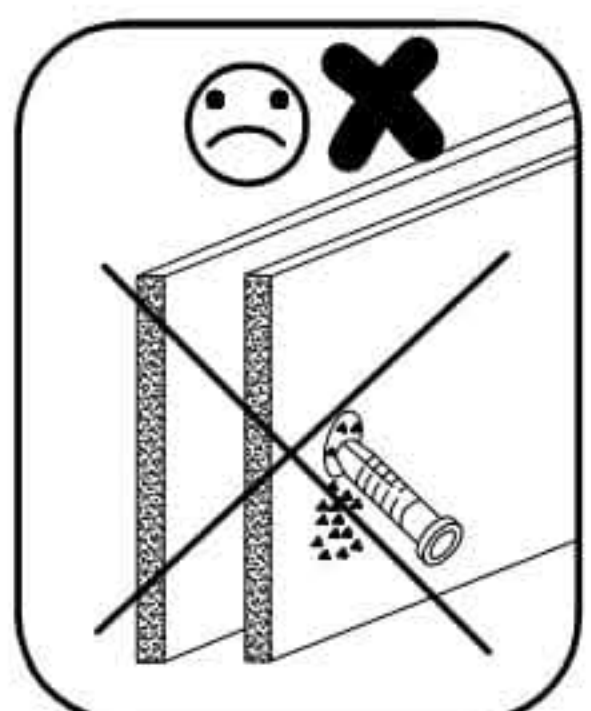
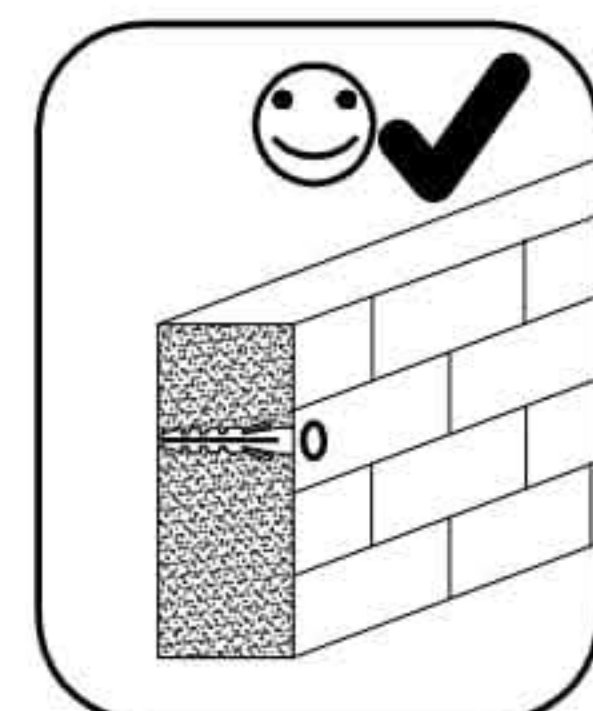
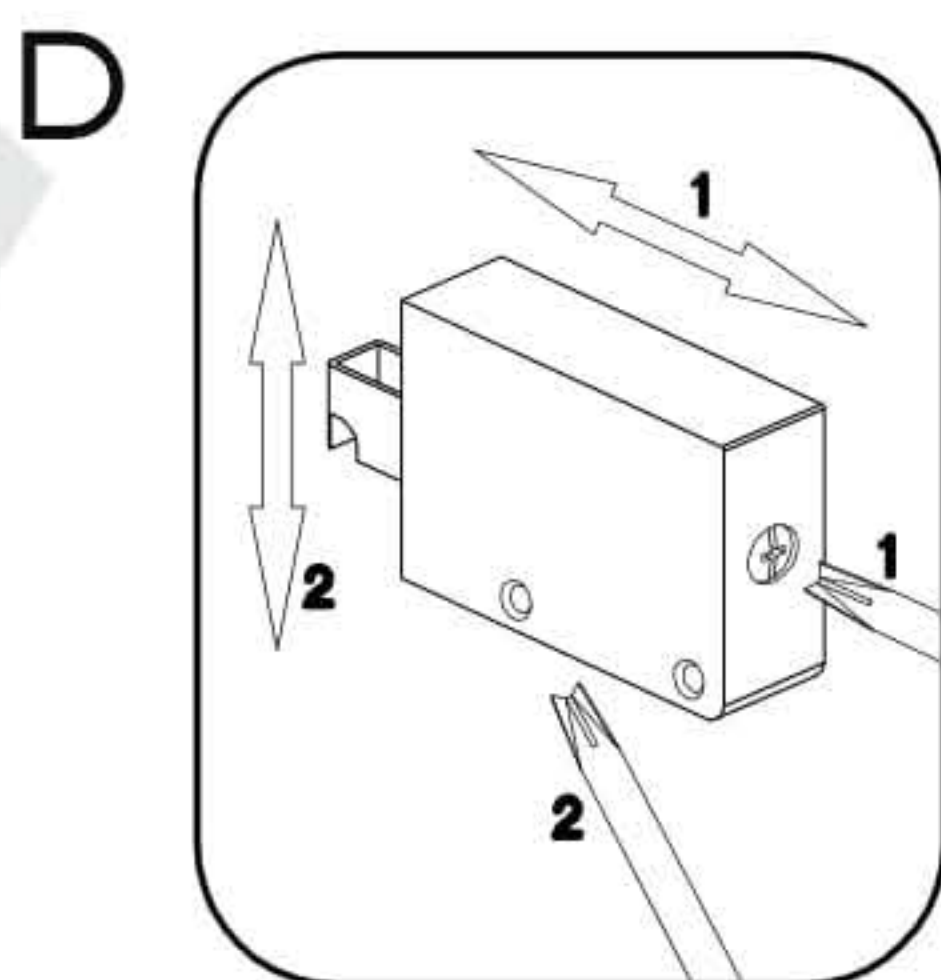
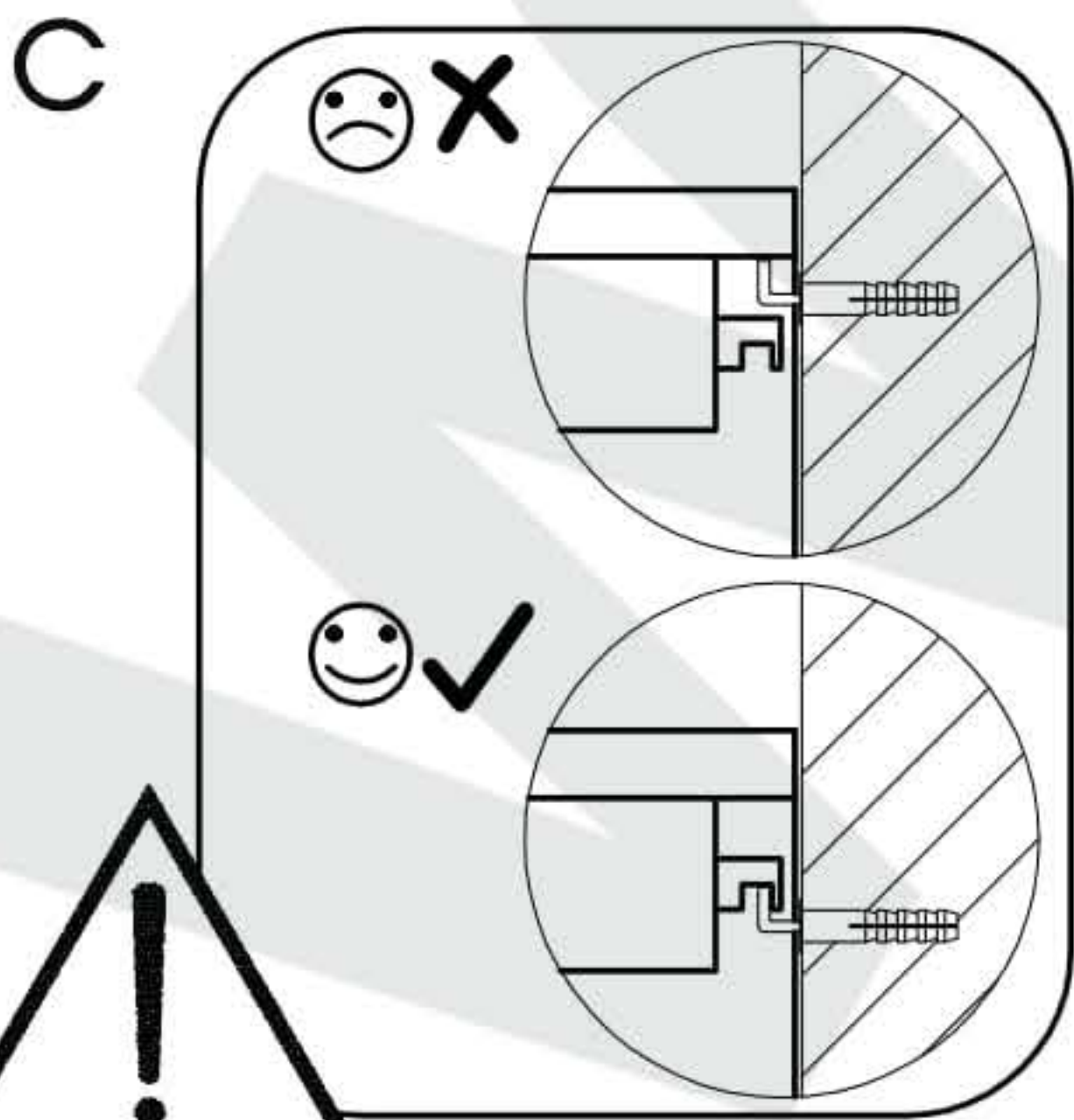
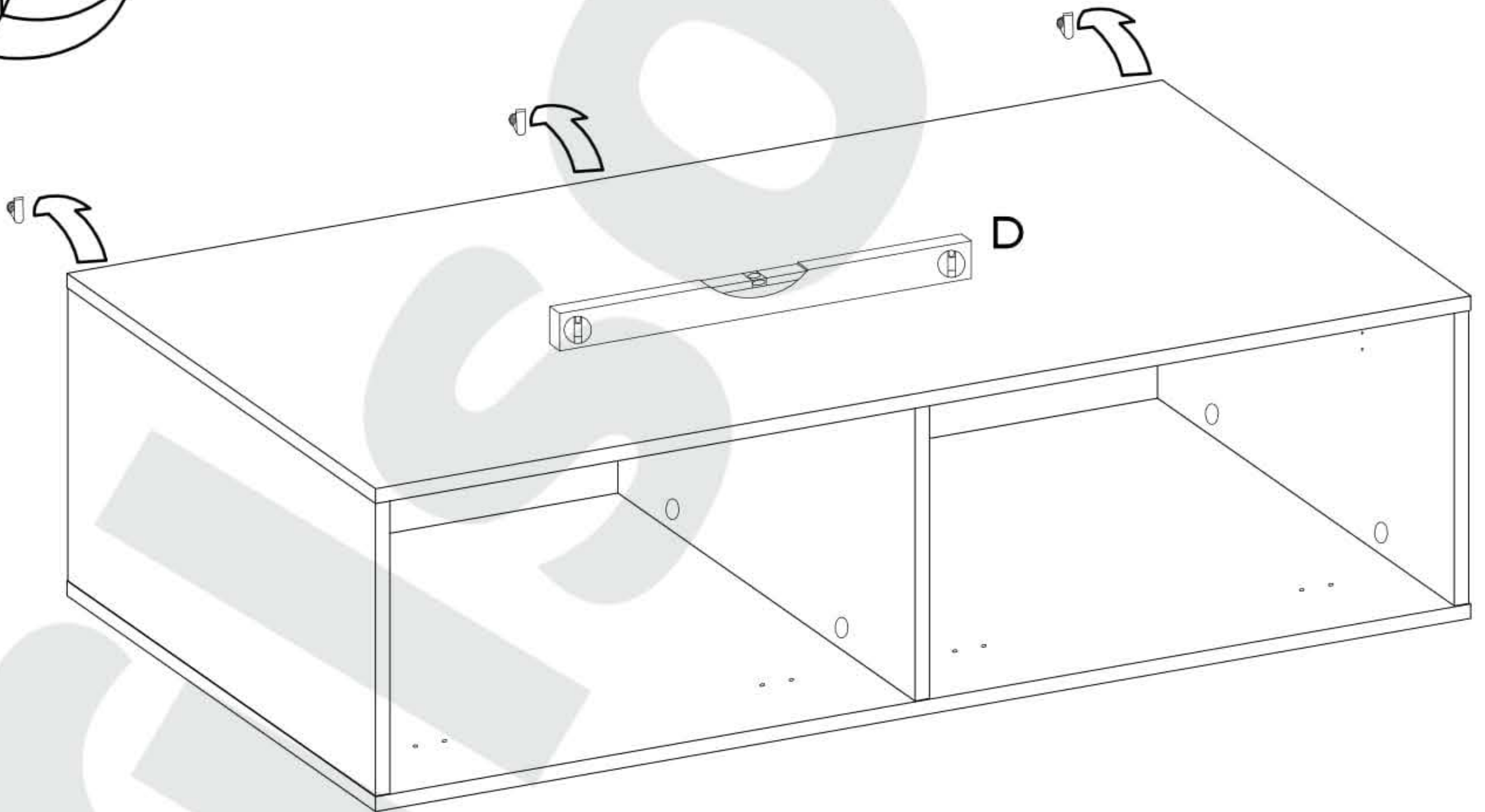
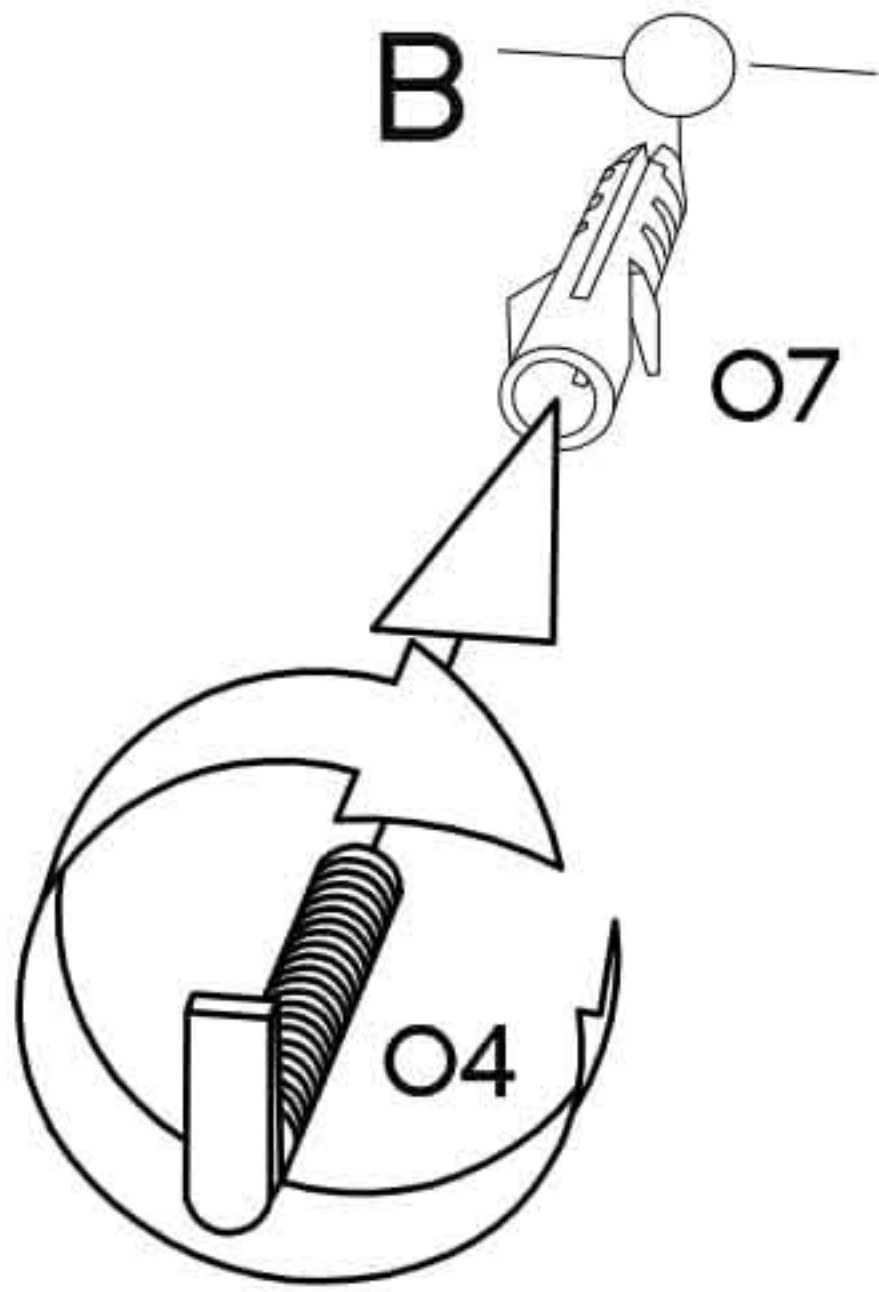
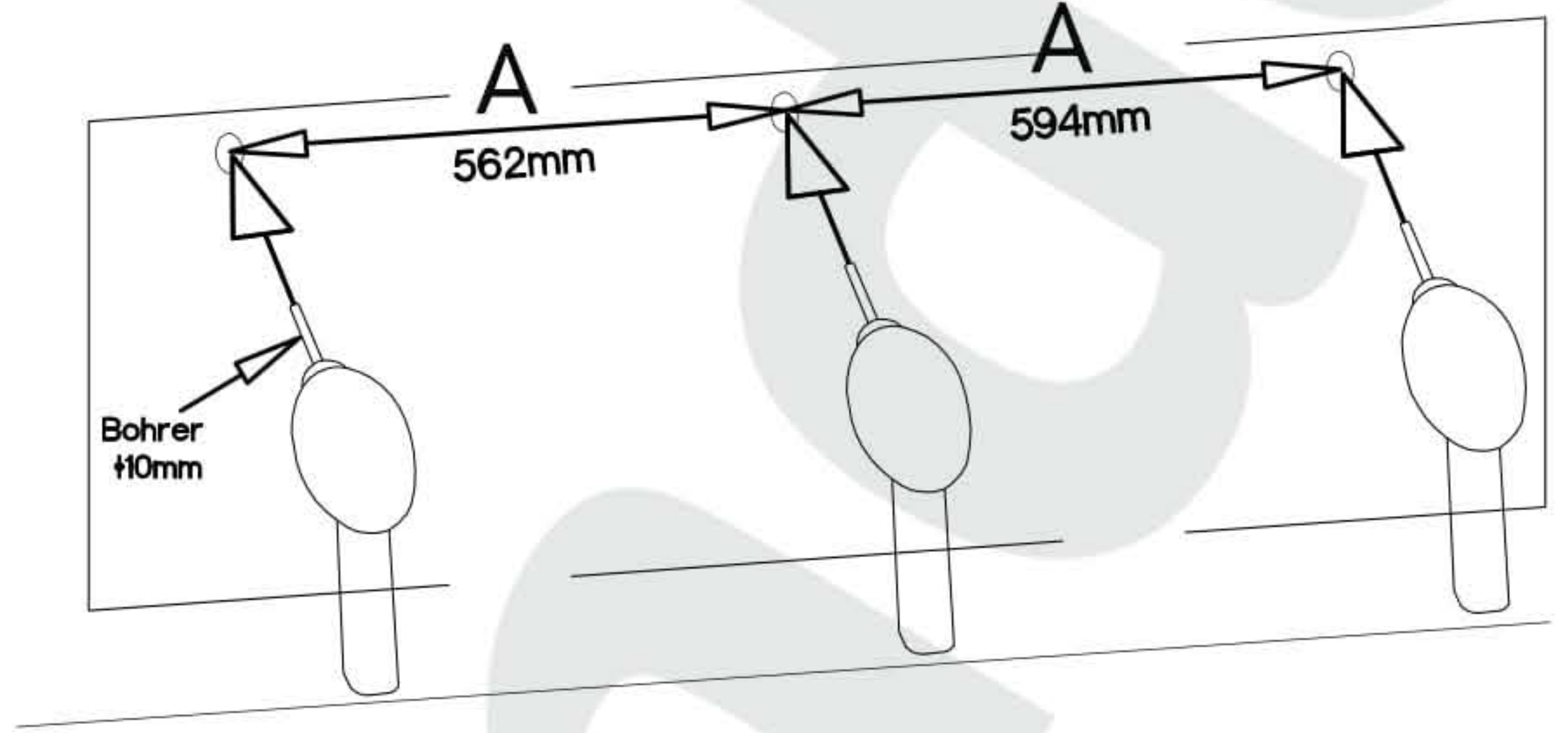
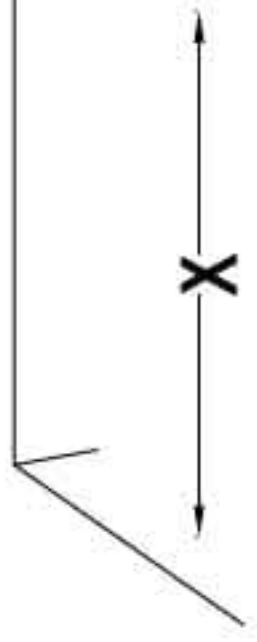
6



WARIANT A

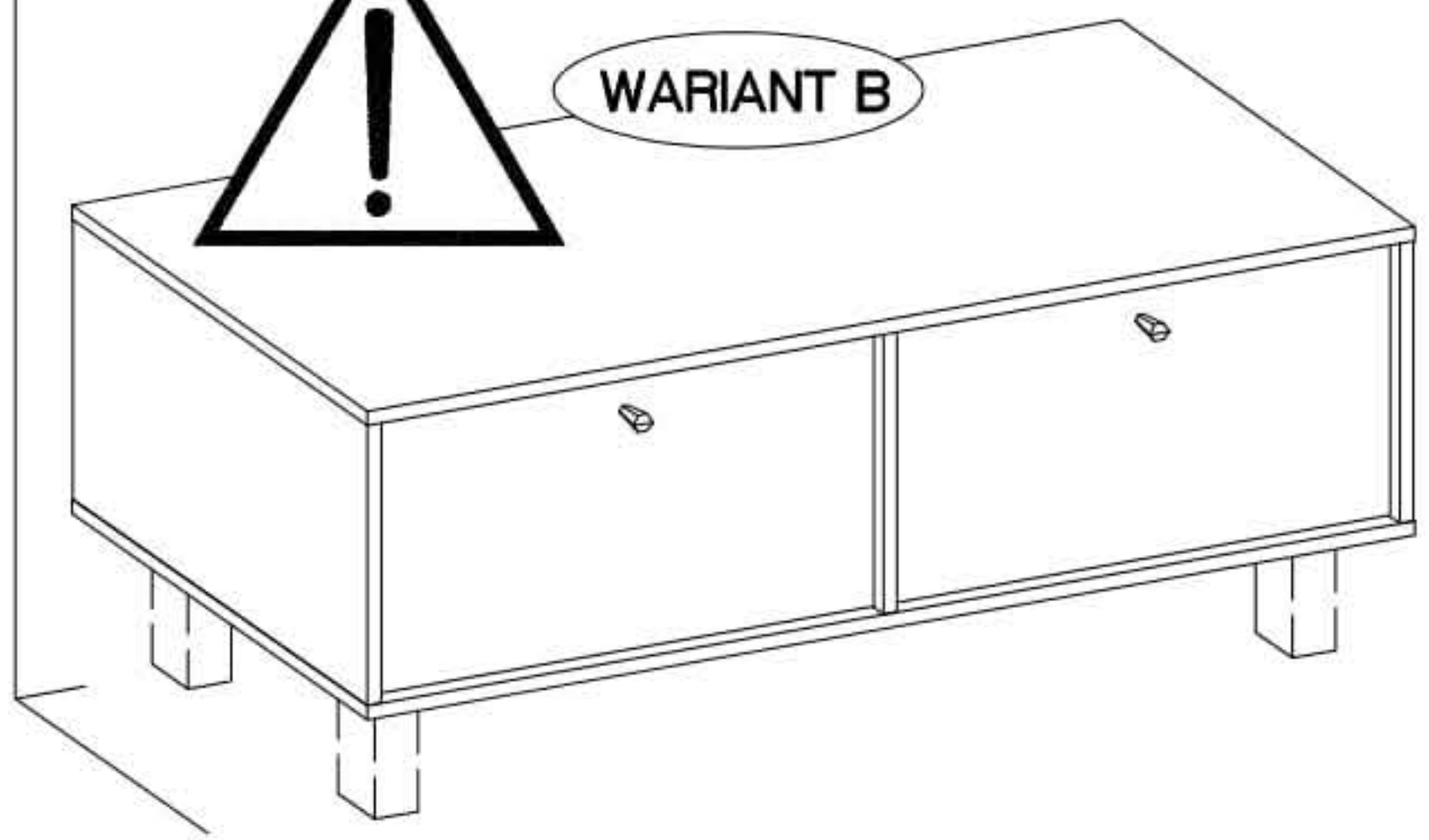


$\text{f}10 \times 50 \text{mm}$ O7 3	$6,5/68 \text{mm}$ O4 3
--	--

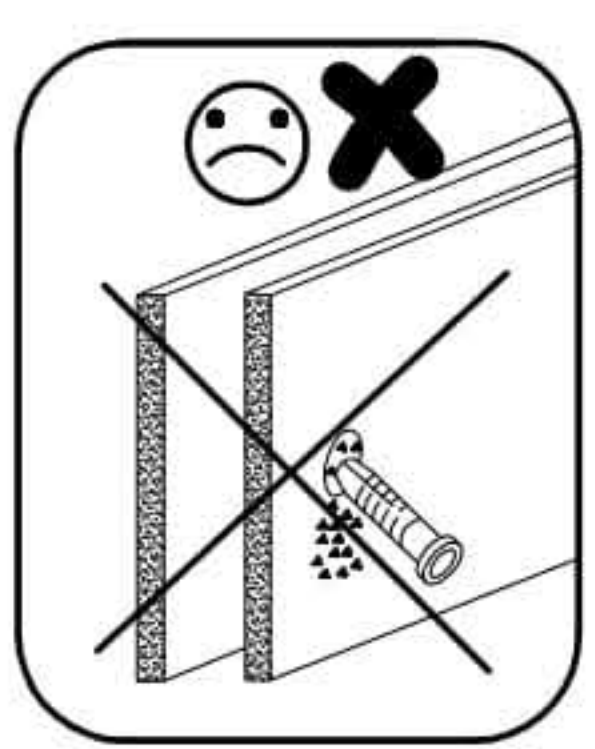
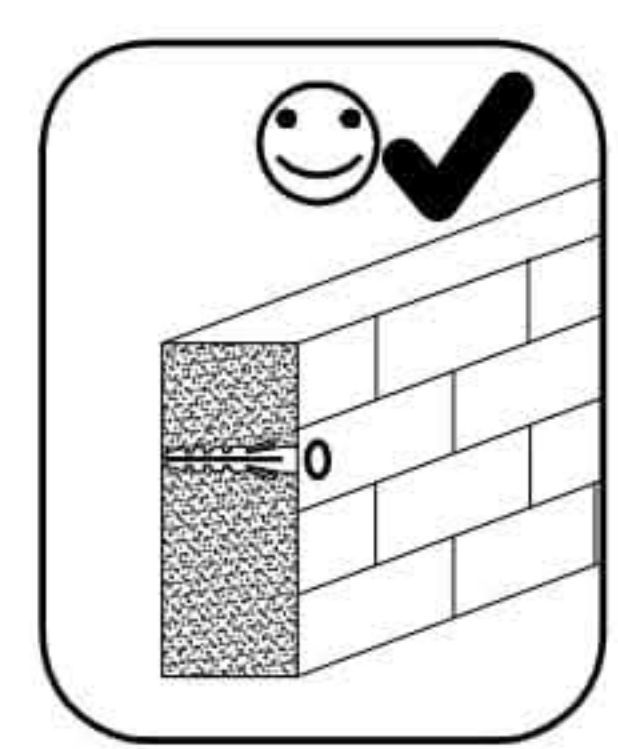
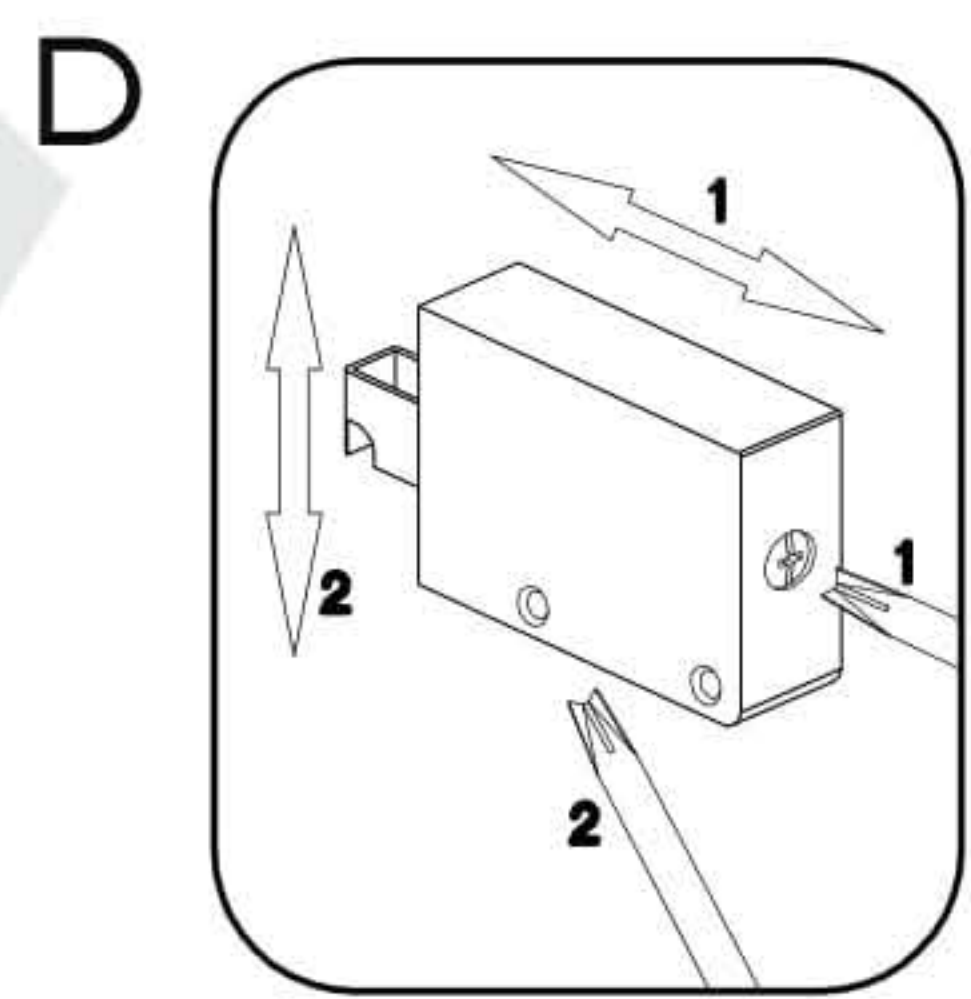
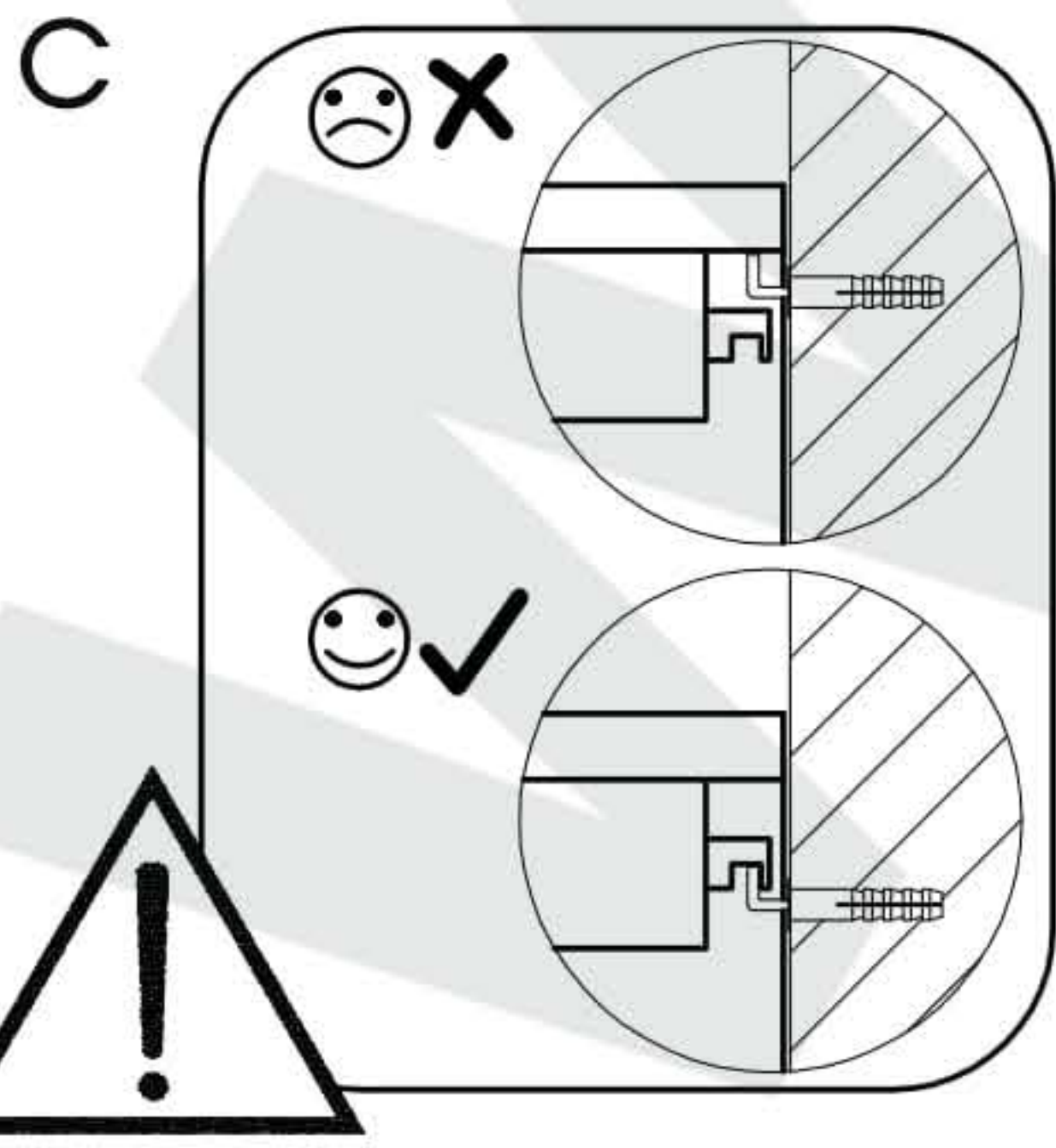
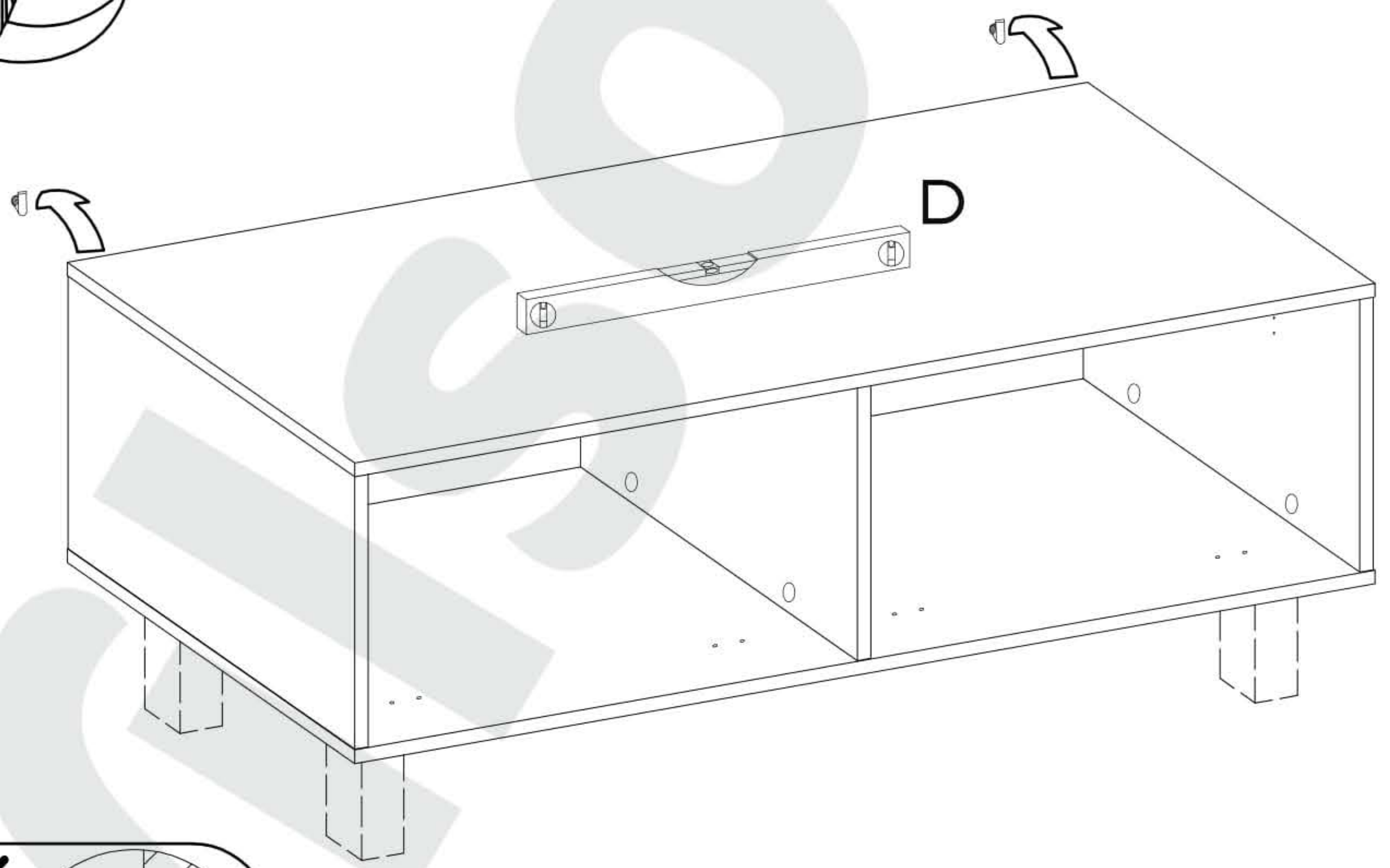
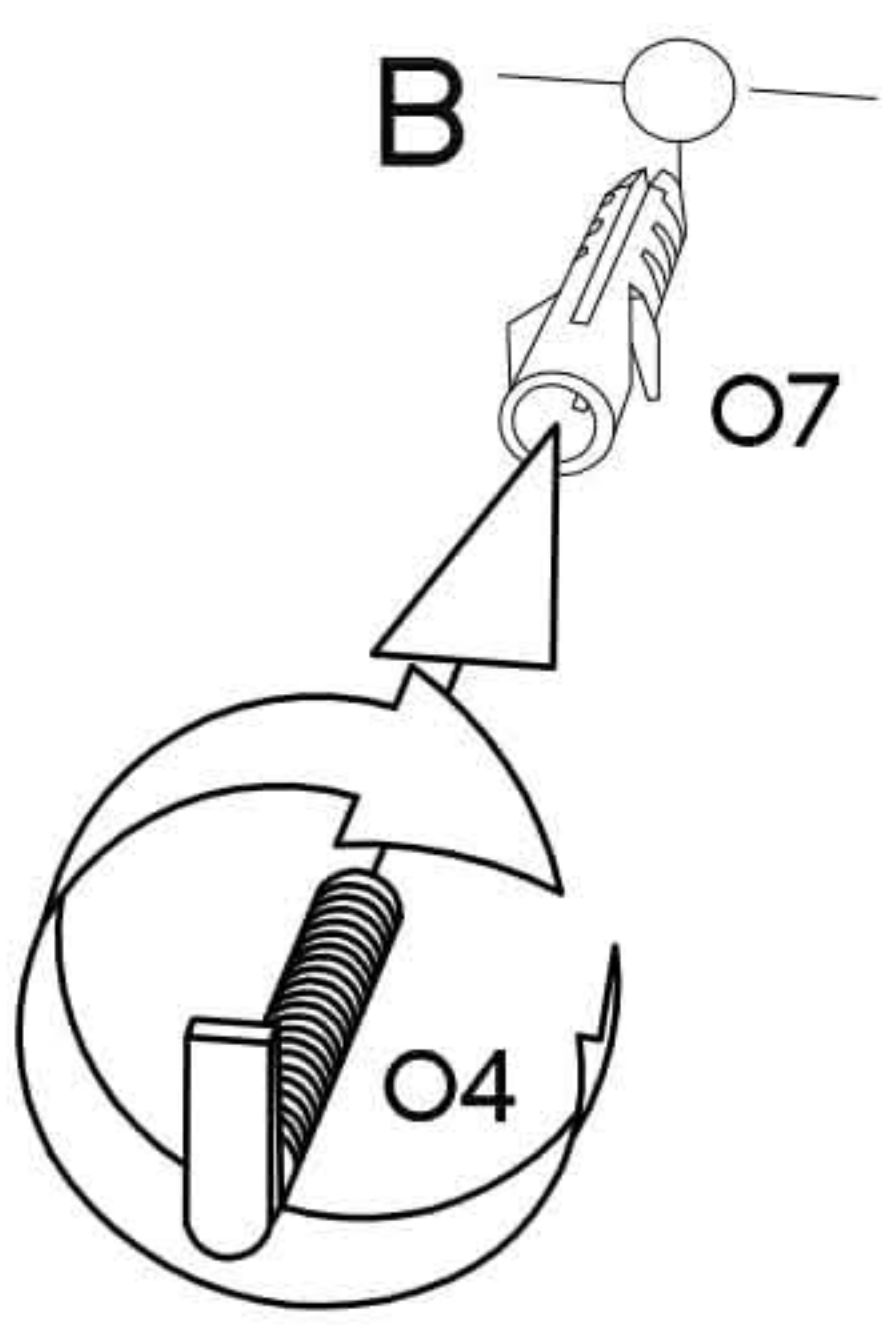
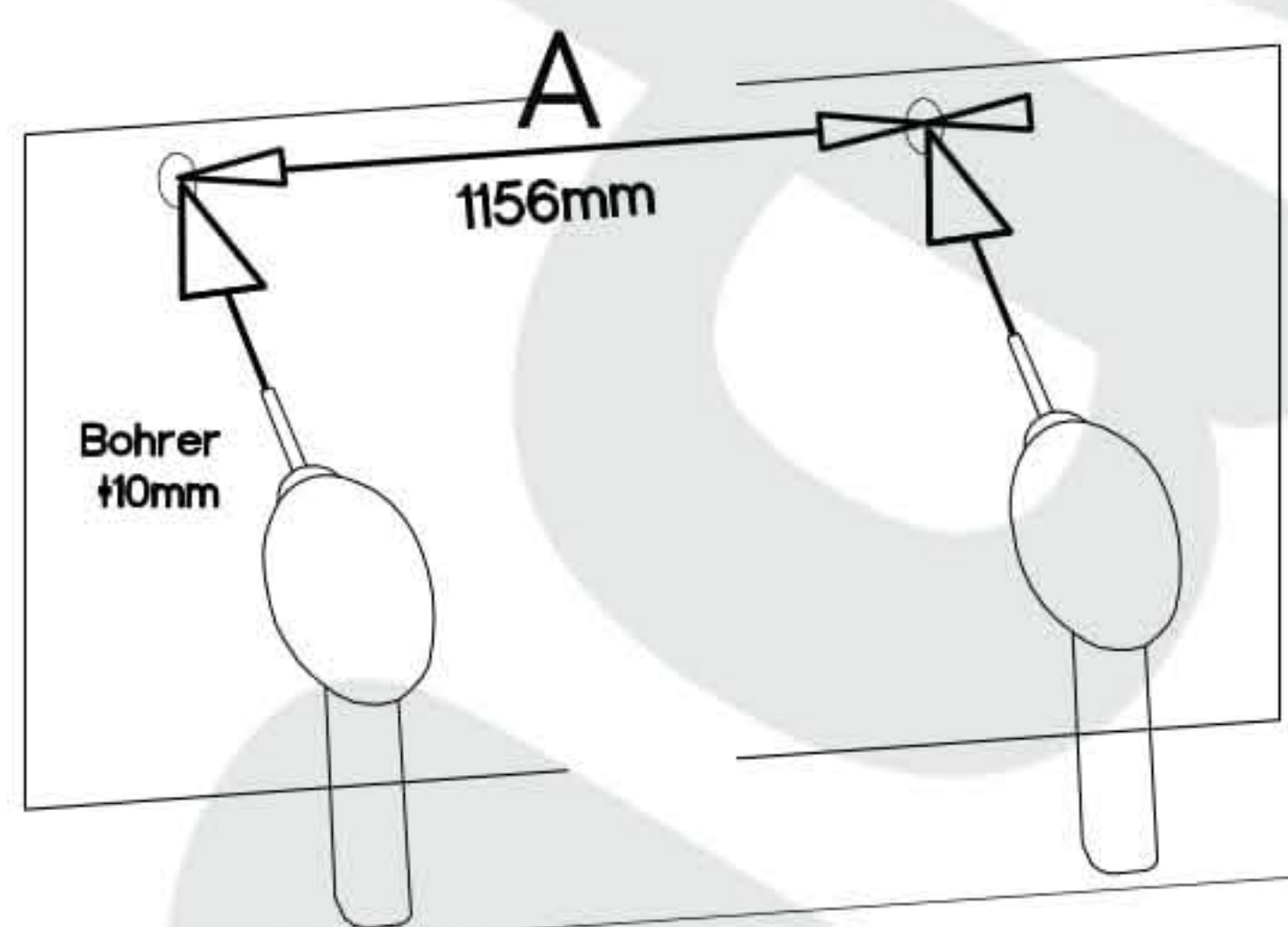




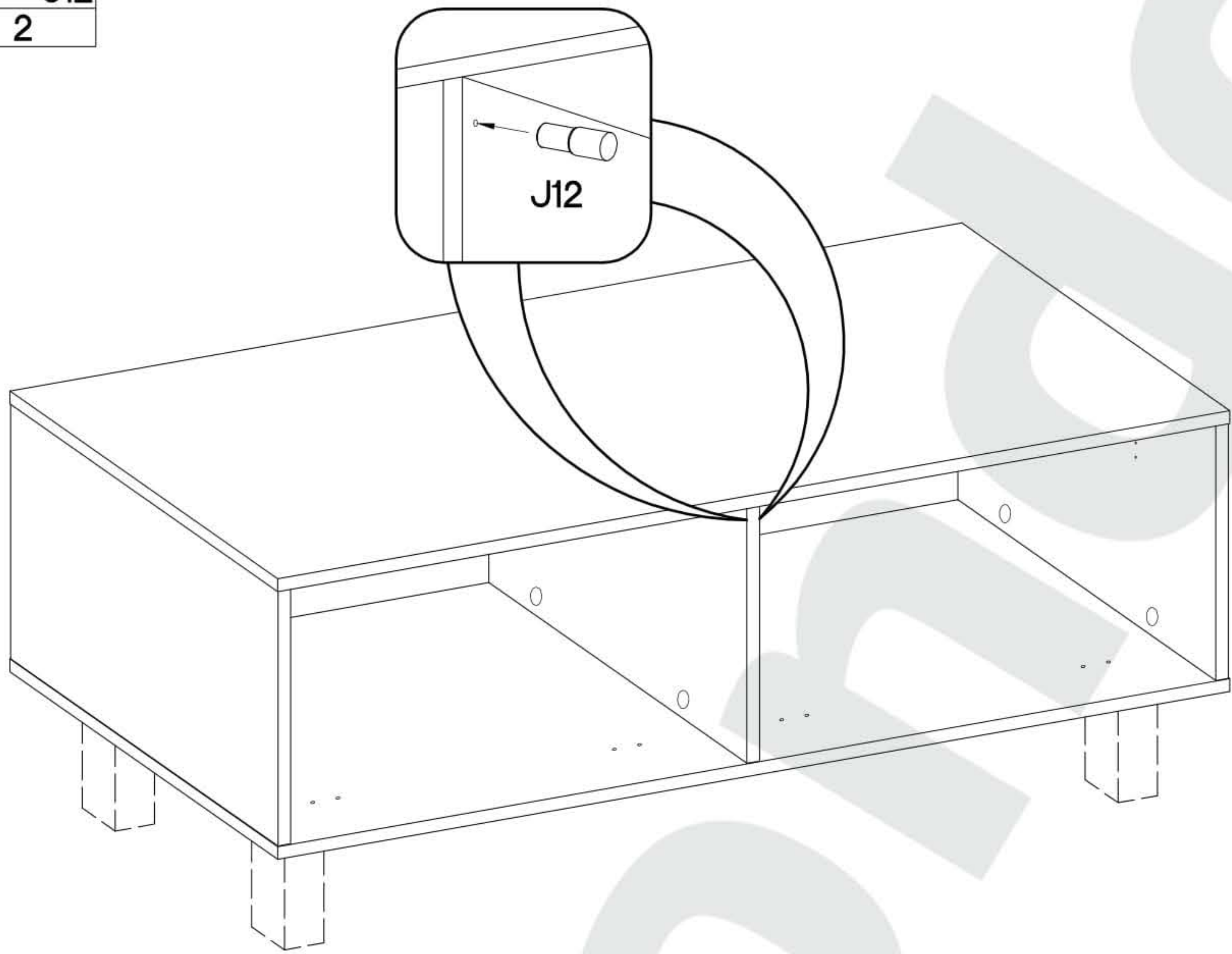
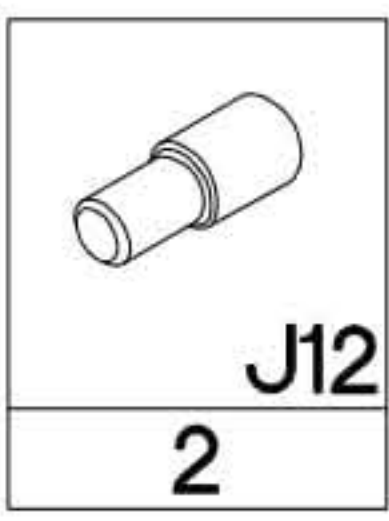
WARIANT B



†10x50mm	6,5/68mm
O7	O4
2	2

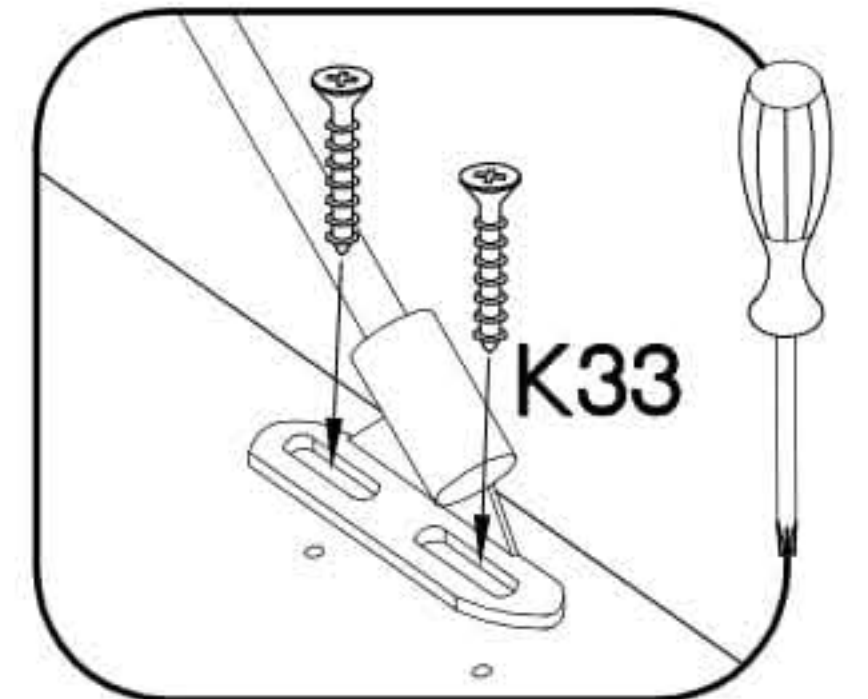
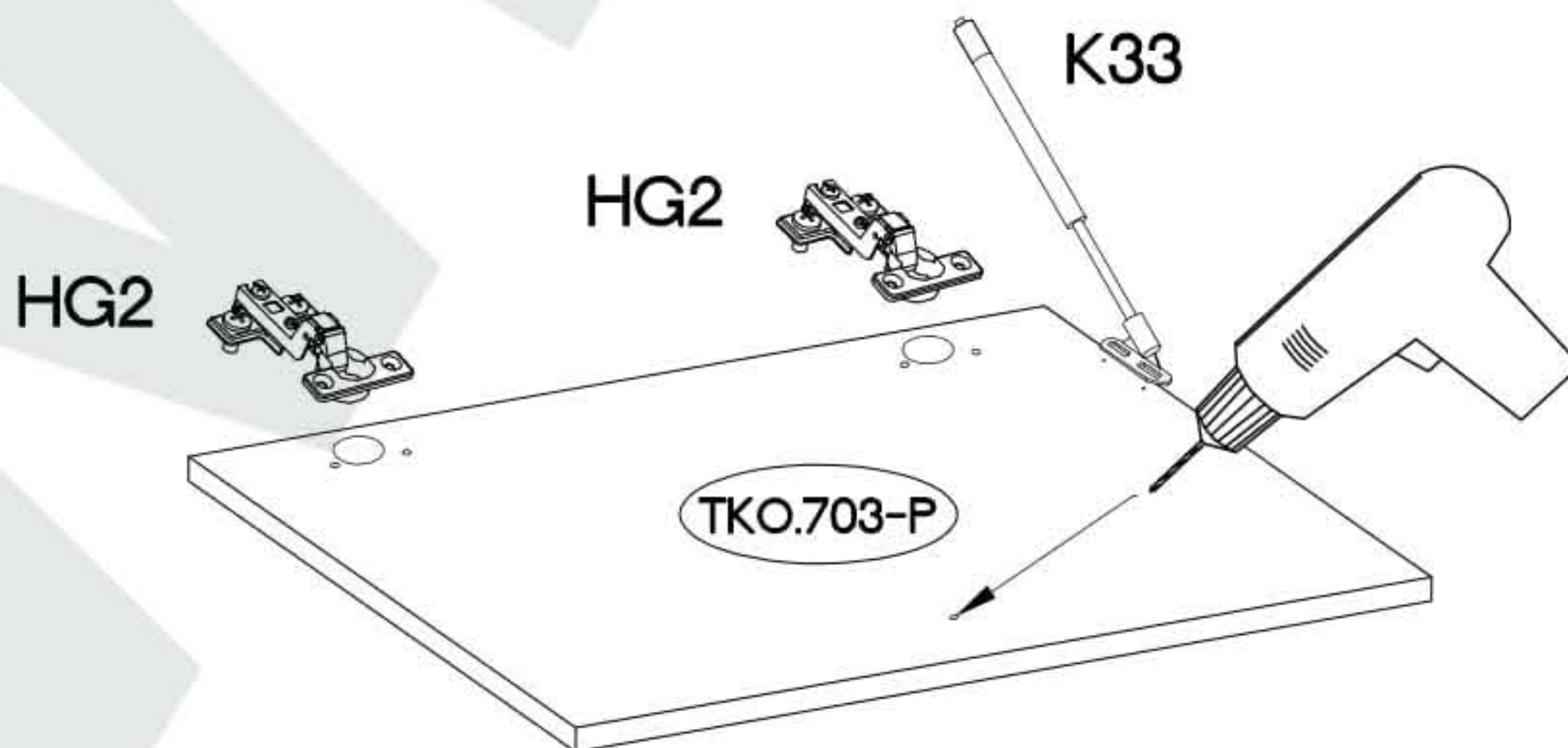
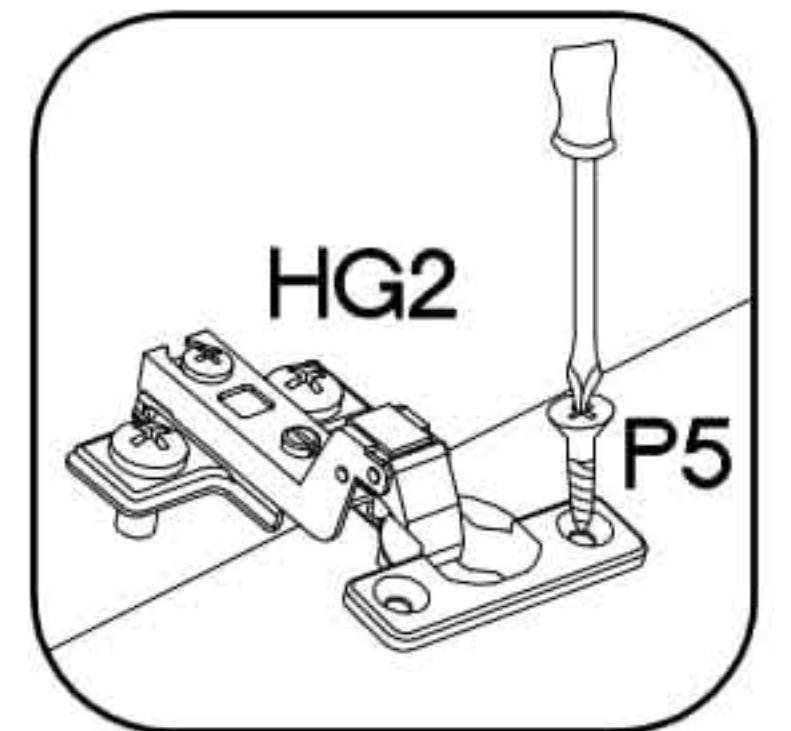
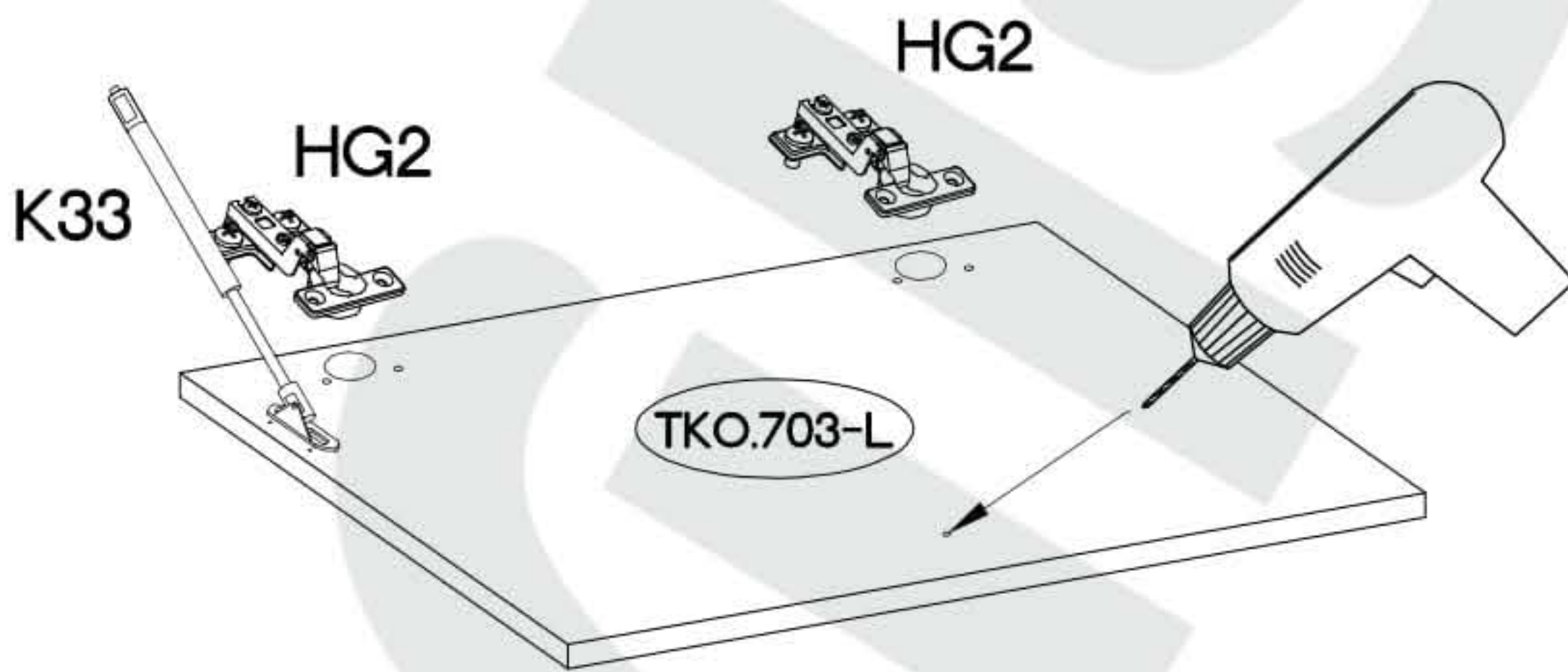
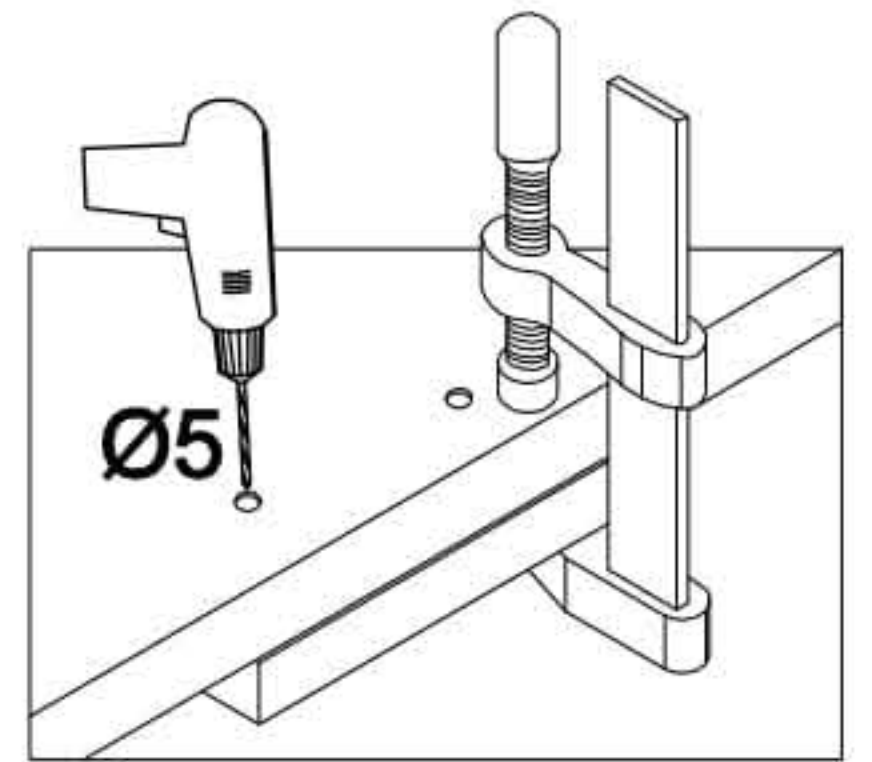


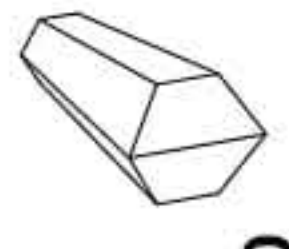

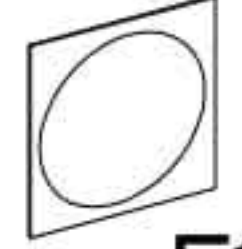
8



9

<p>±35/16mm HG2 4</p>	<p>±3.5x13mm P5 8</p>	<p>L=270mm 80 N BARKOWY K33 2</p>
-------------------------------	-------------------------------	---



 S	 M4x22mm U	 +20 E11
2	2	12

