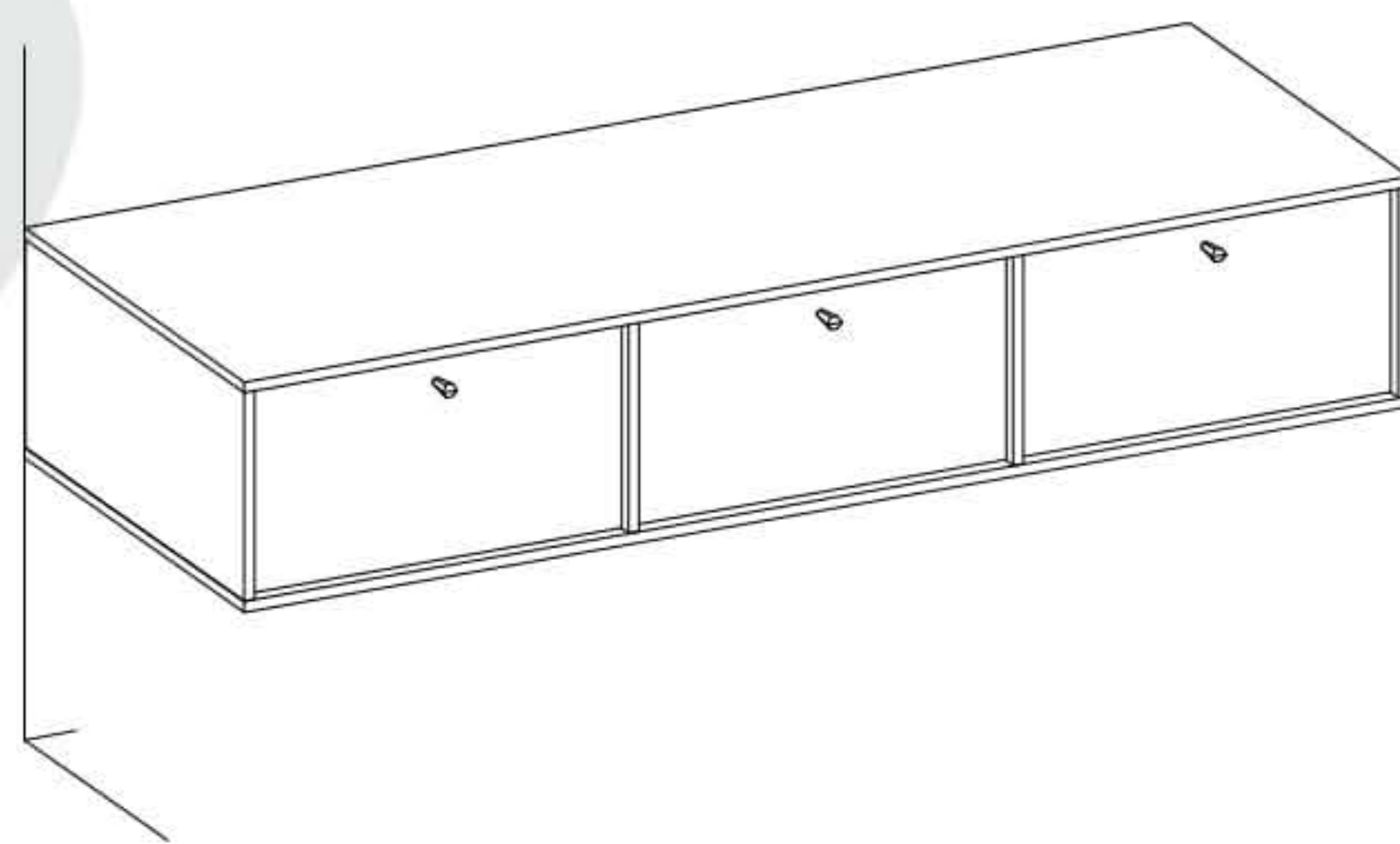
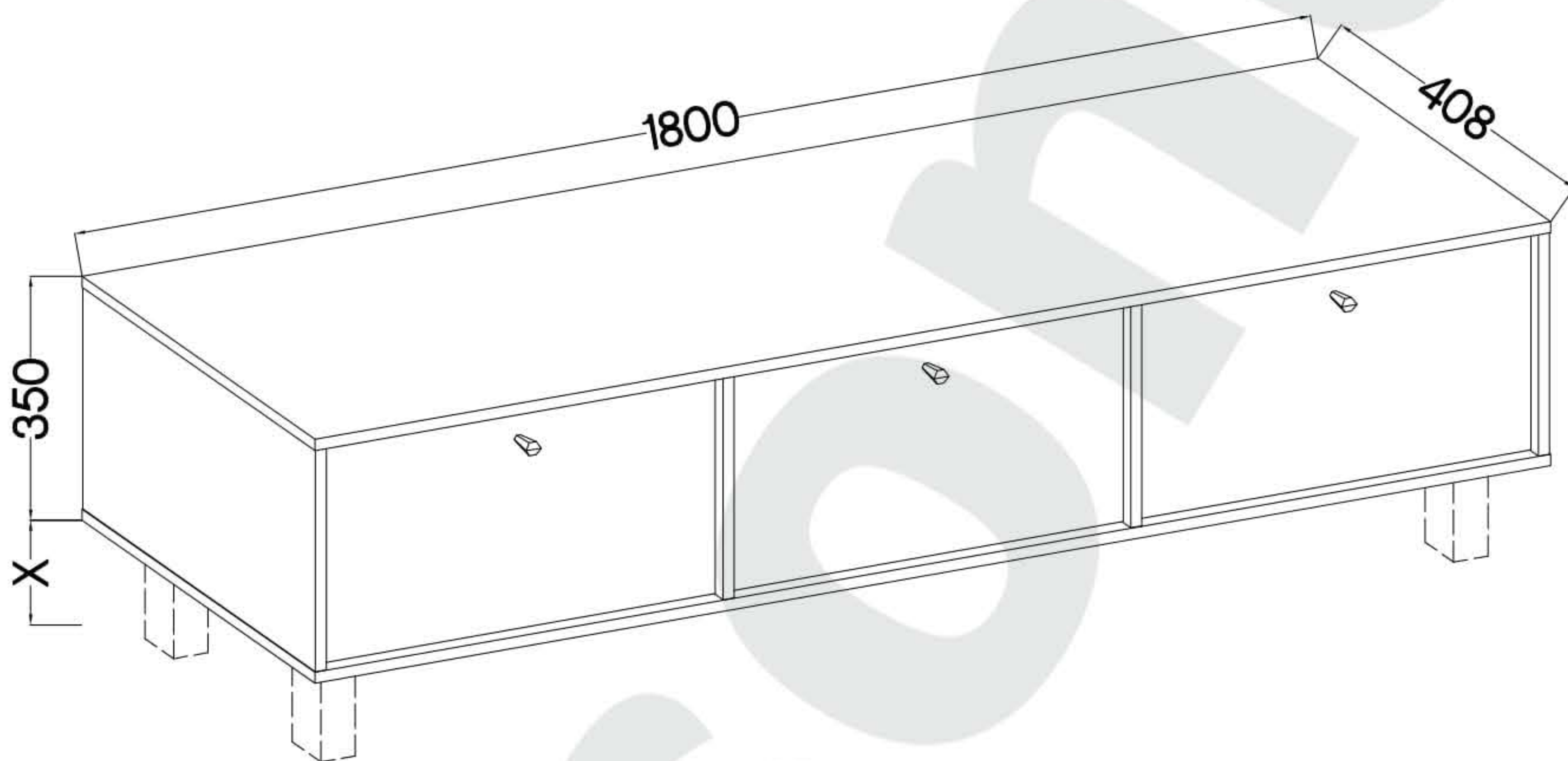


60 min

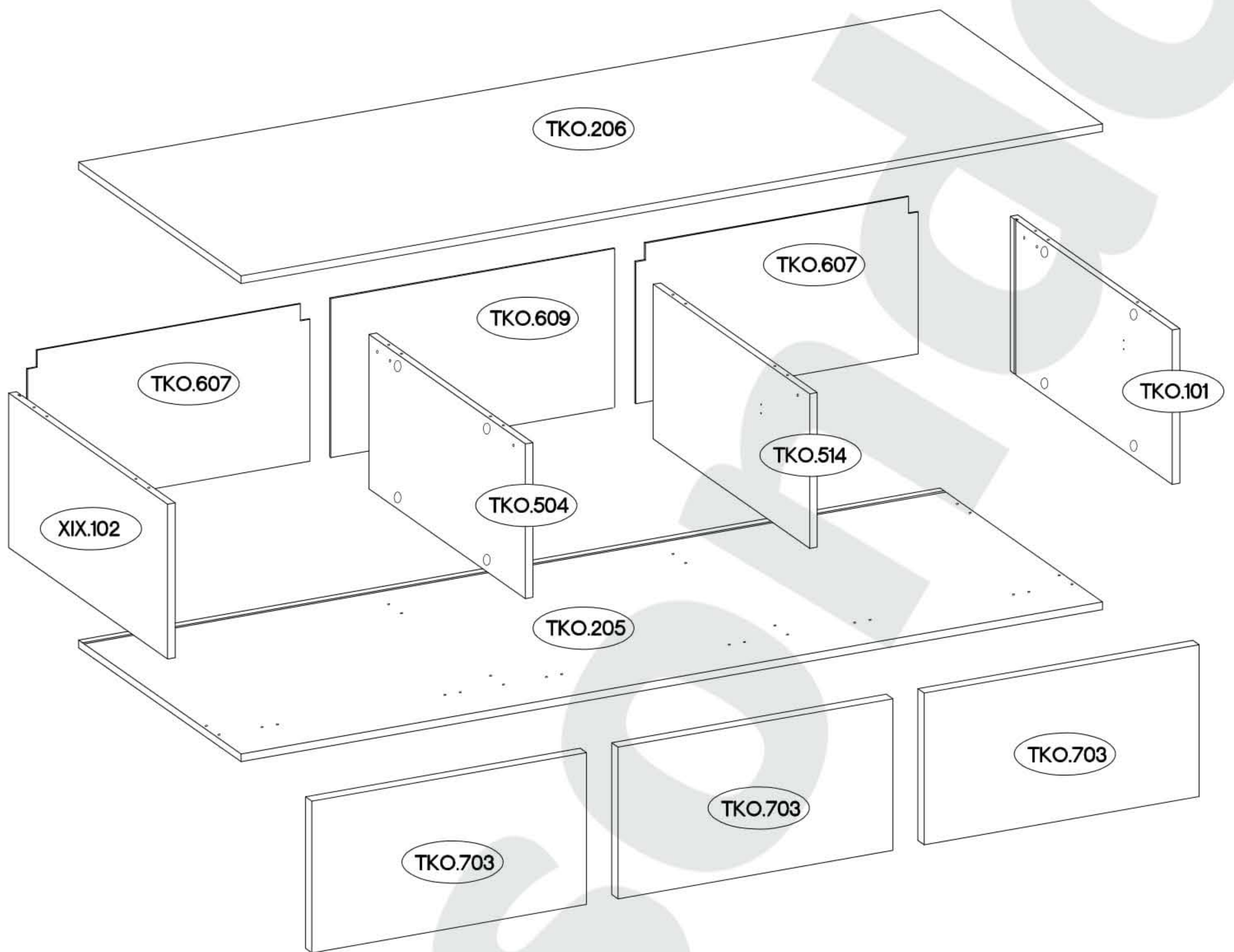
TYP 303

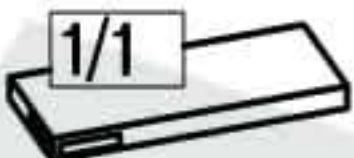


<p>↑8x30mm A 16</p>	<p>↑15/12mm C 16</p>	<p>L=20mm D2 16</p>	<p>↑20 E11 16</p>	<p>↑35/16mm HG2 6</p>	<p>J12 3</p>	<p>L K25 2</p>	<p>R K26 2</p>	<p>L=270mm 80 N K33 3</p>	<p>BARKOWY L 12</p>	<p>L2 6</p>	<p>6,5/68mm O4 4</p>	<p>↑10x50mm O7 4</p>	<p>↑3,5x13mm P5 12</p>	<p>↑3,0x20mm P7 6</p>	<p>↑4,0x30mm P8 8</p>	<p>S 3</p>	<p>M4x22mm U 3</p>
-----------------------------	------------------------------	-----------------------------	---------------------------	-------------------------------	------------------	------------------------	------------------------	---------------------------------------	-----------------------------	-----------------	------------------------------	------------------------------	--------------------------------	-------------------------------	-------------------------------	----------------	----------------------------

ISM-TKO-003





	Ersatzteil Nummer	Dimension
	TKO.101	318x407x16
	TKO.102	318x407x16
	TKO.504	318x393x16
	TKO.514	318x393x16
	TKO.205	1800x408x16
	TKO.206	1800x408x16
	TKO.607 x2	590x327x2,5
	TKO.609	593x327x2,5
	TKO.703 x3	312x574x16



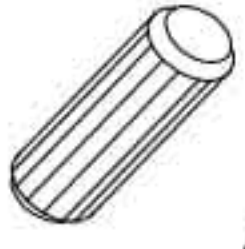

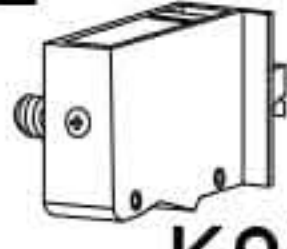
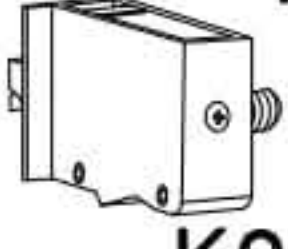

TKO.206

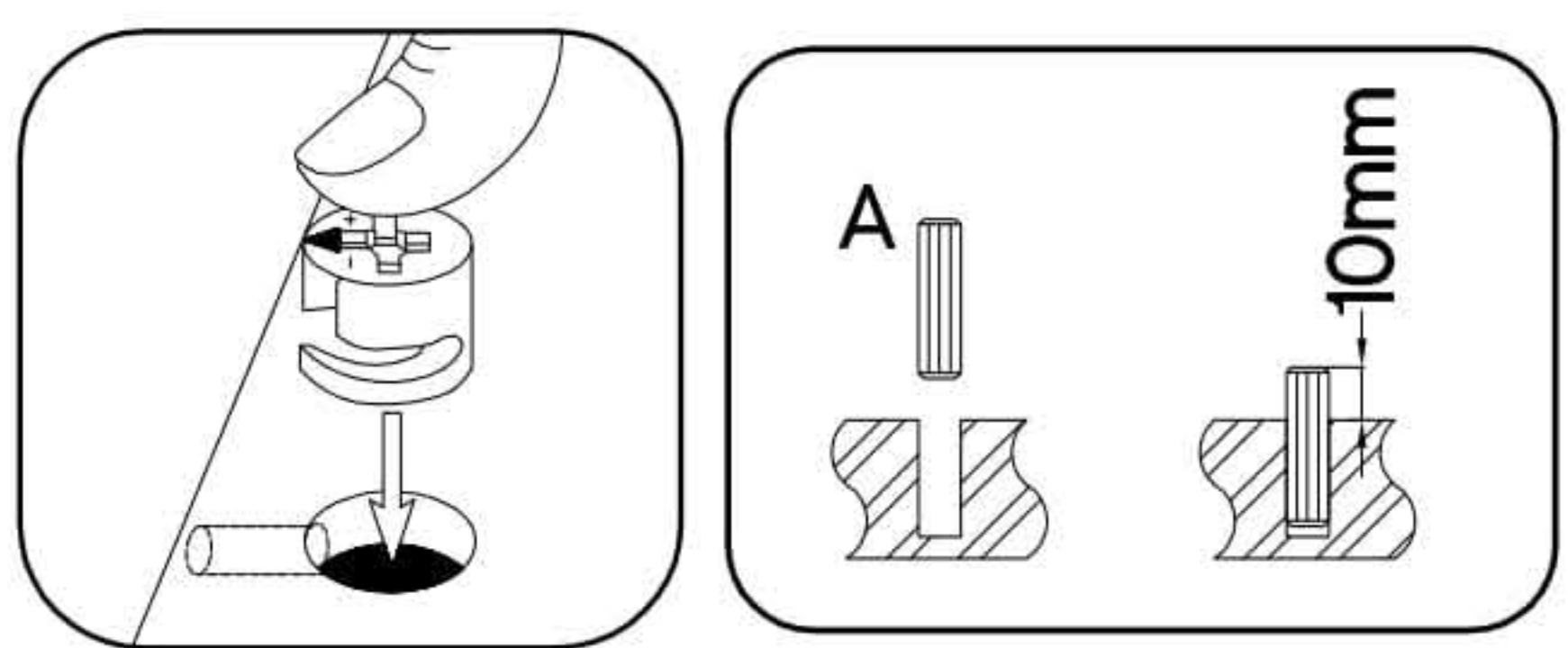
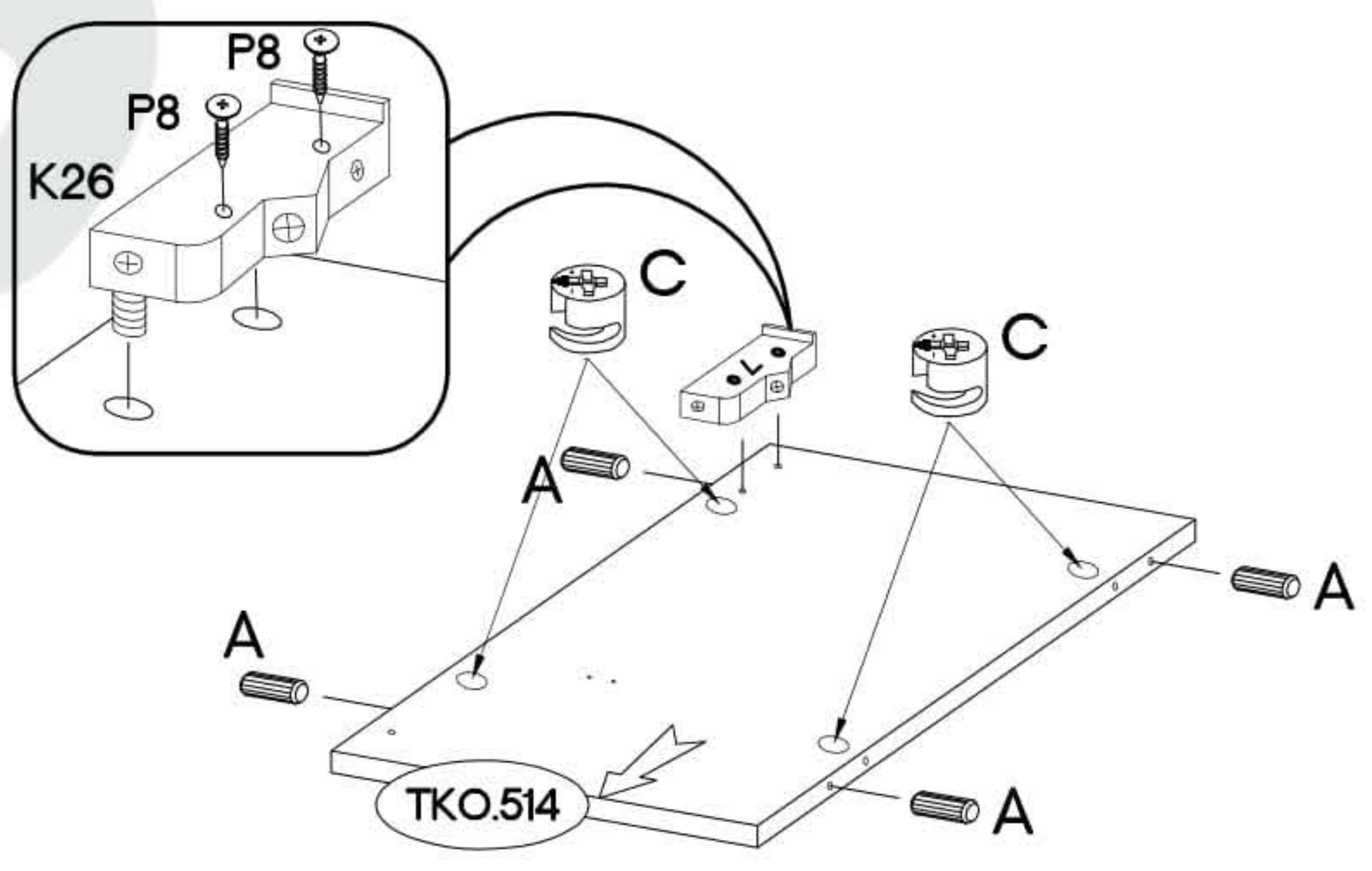
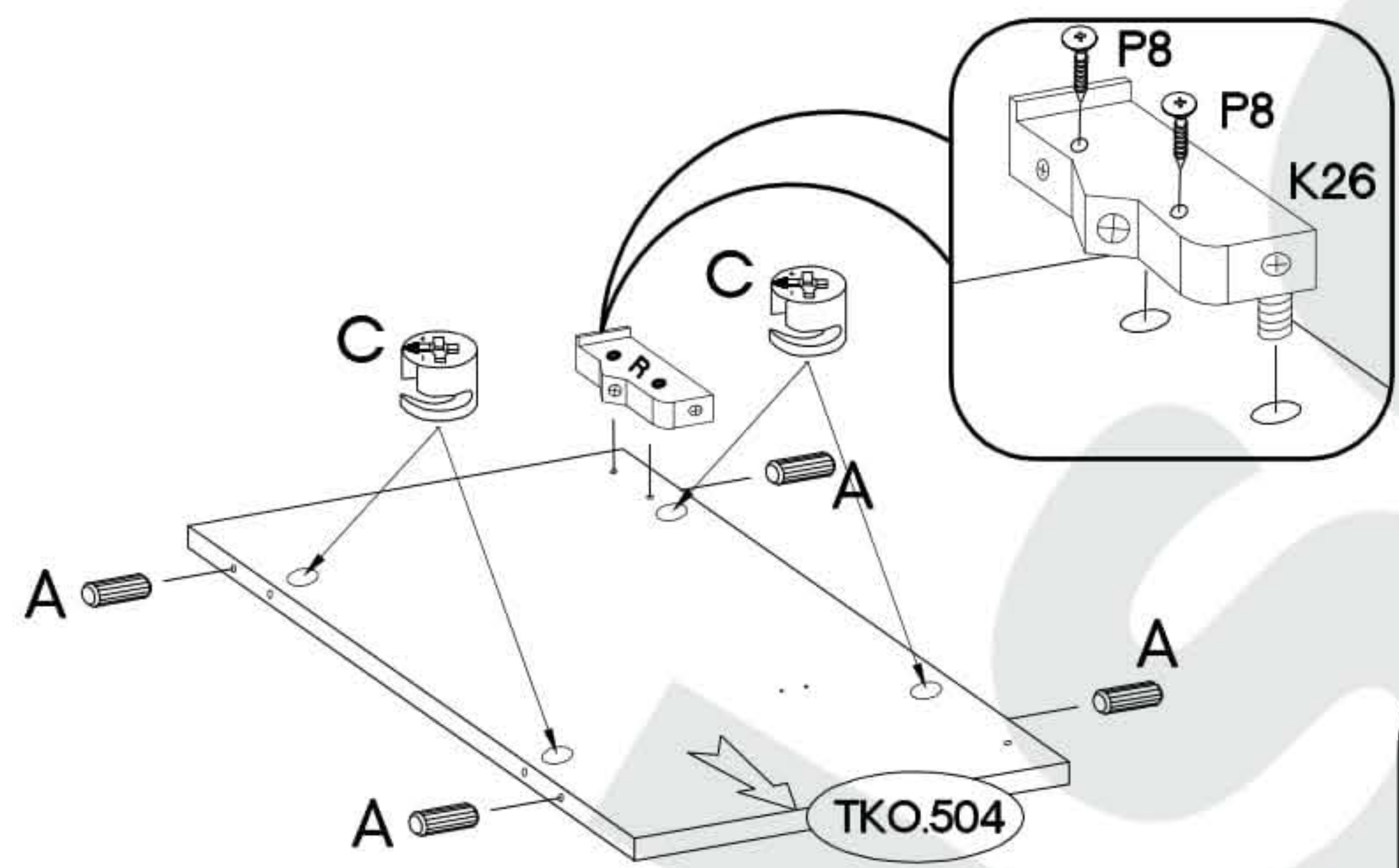
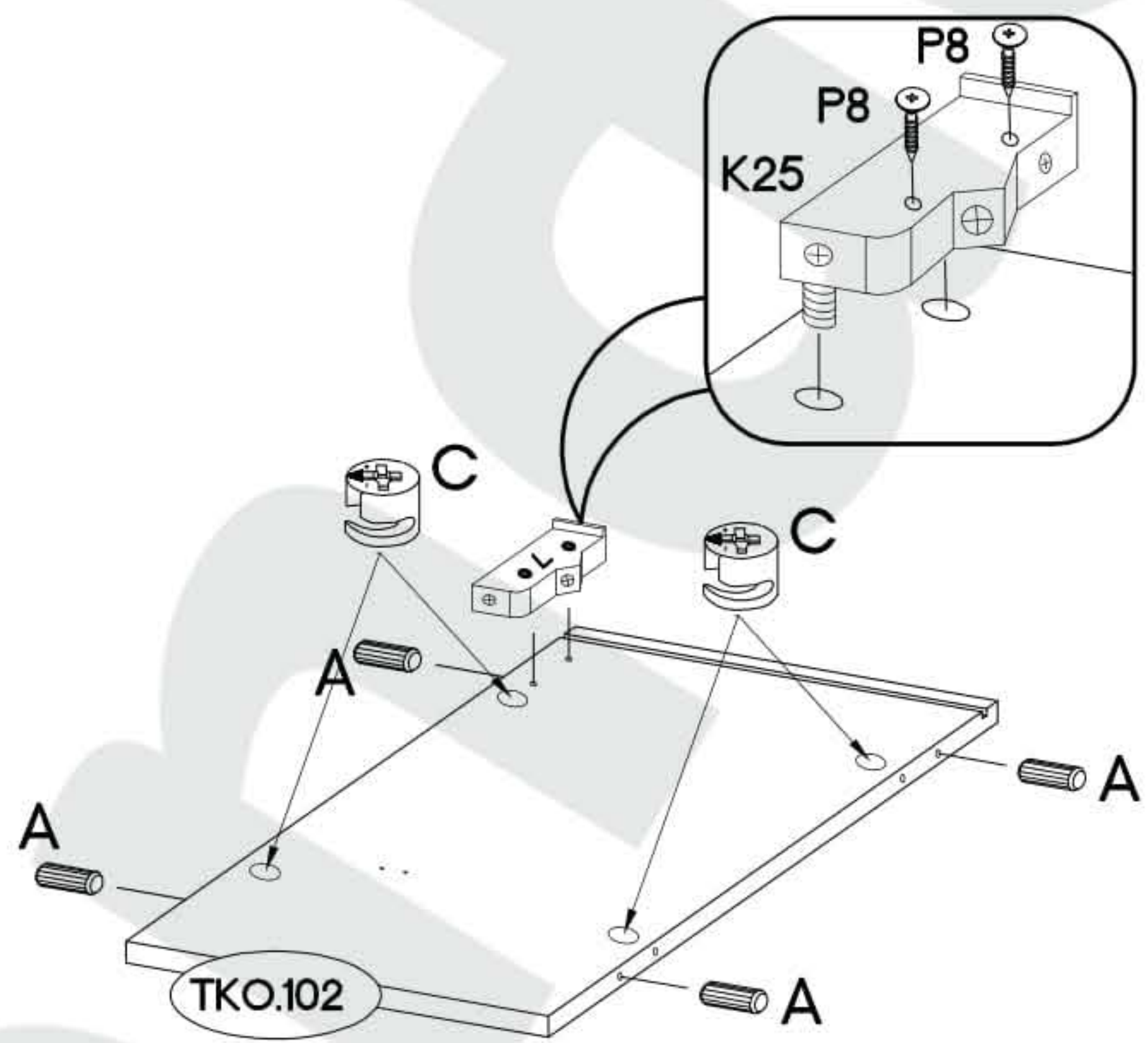
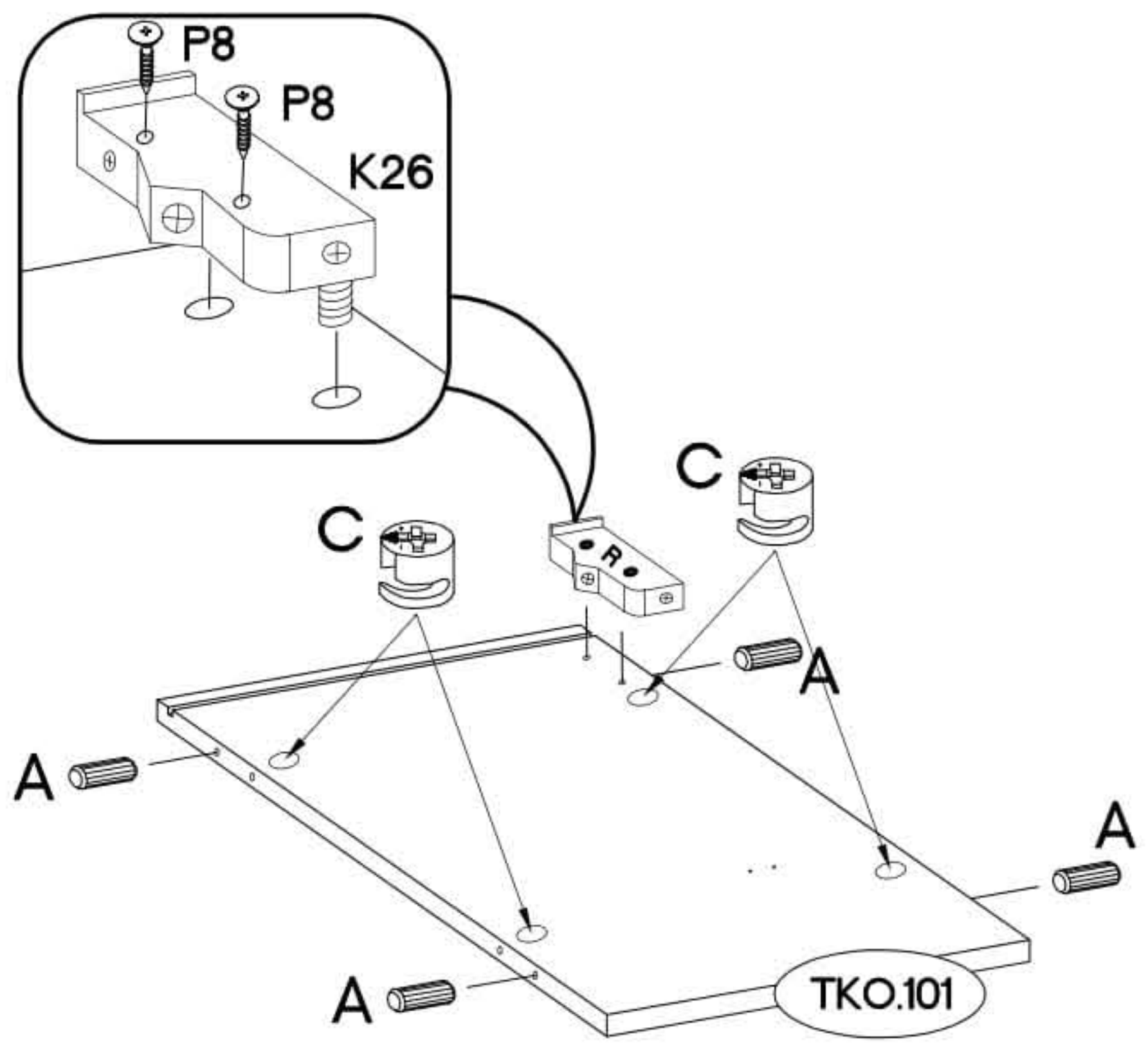
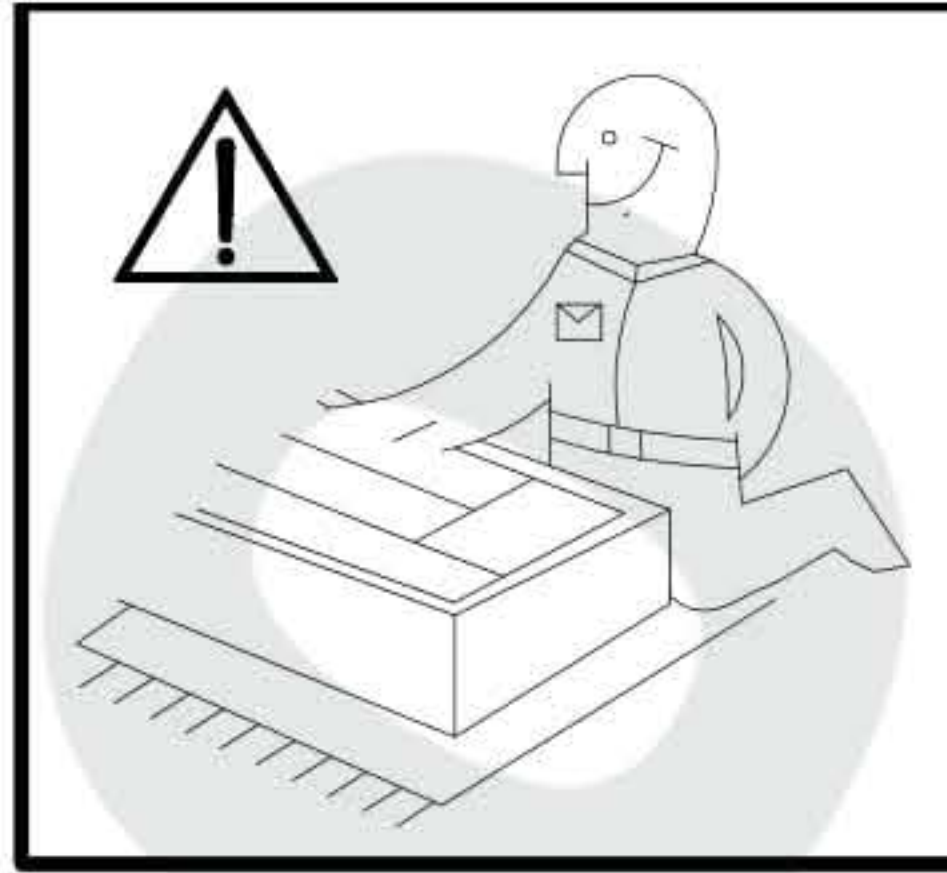


TKO.205



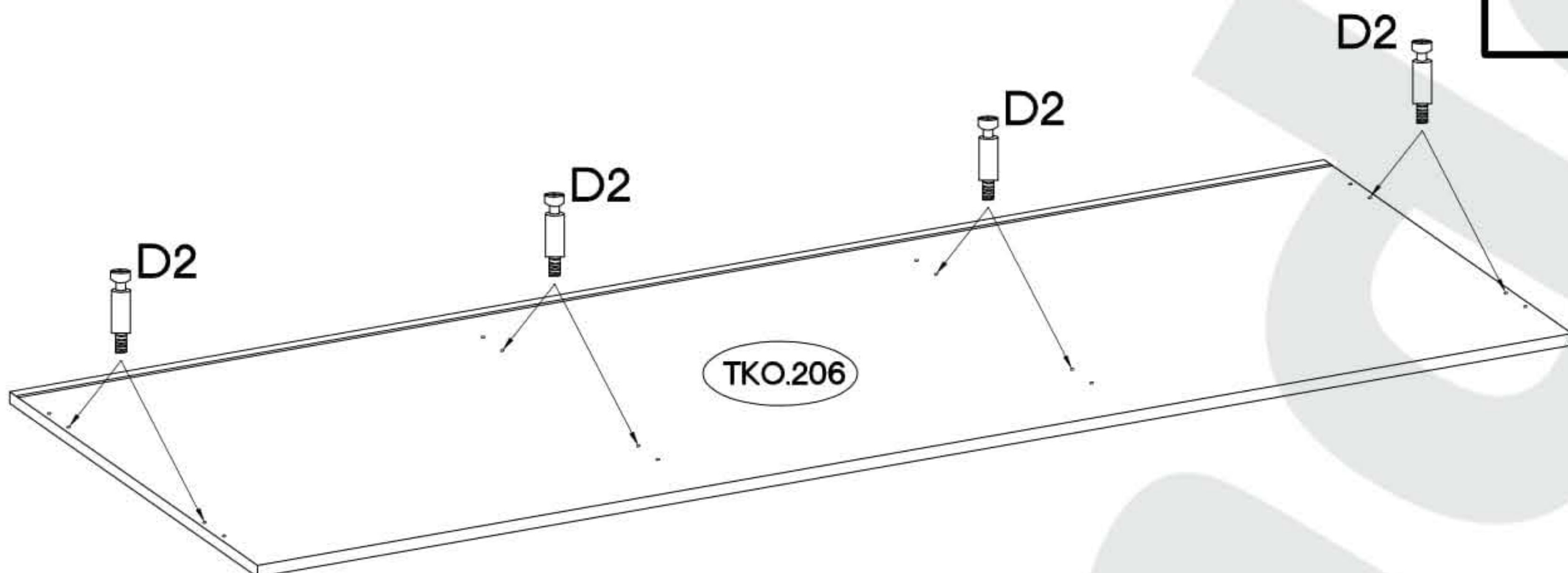
1

$\varnothing 8 \times 30 \text{mm}$  A 16	$\varnothing 15/12 \text{mm}$  C 16	L  K25 2	R  K26 2	$\varnothing 4.0 \times 30 \text{mm}$  P8 8
------------------------------------------------------------------------------------------------------------------------------------	------------------------------------------------------------------------------------------------------------------------------	---------------------------------------------------------------------------------------------------	---------------------------------------------------------------------------------------------------	---------------------------------------------------------------------------------------------------------------------------------------

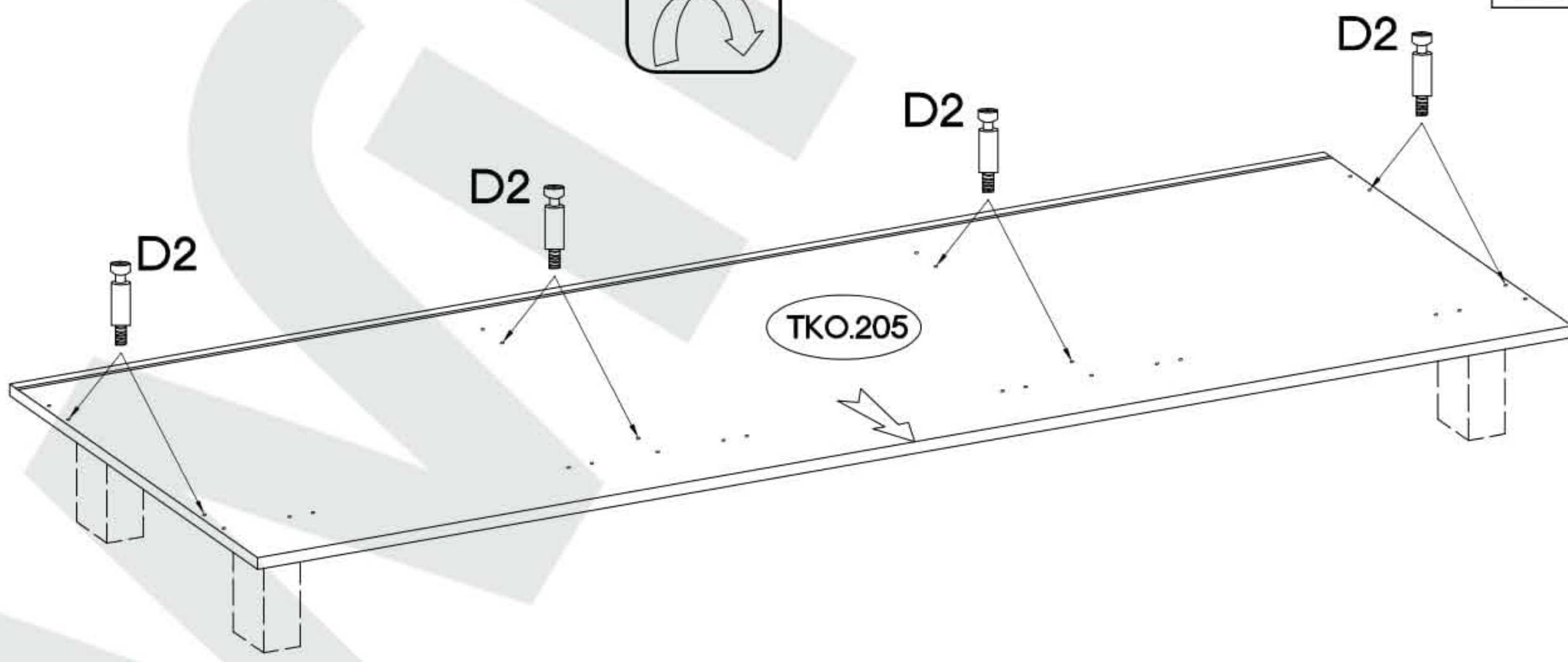
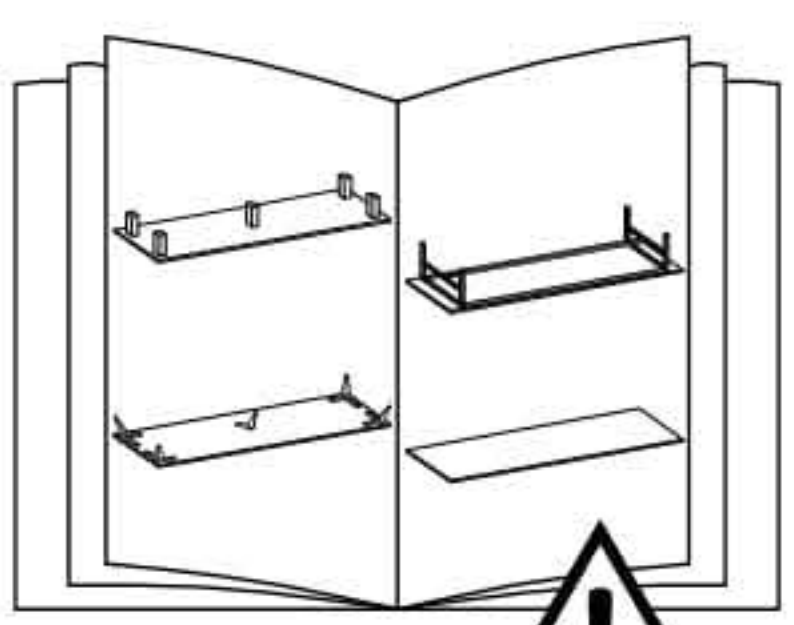
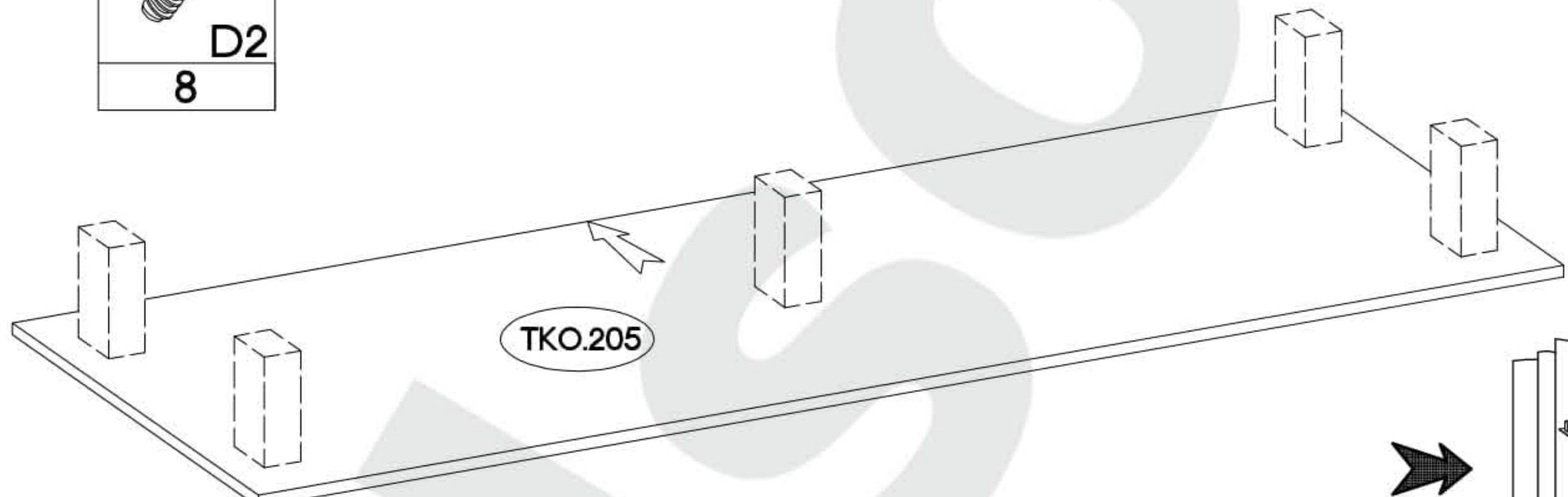




2

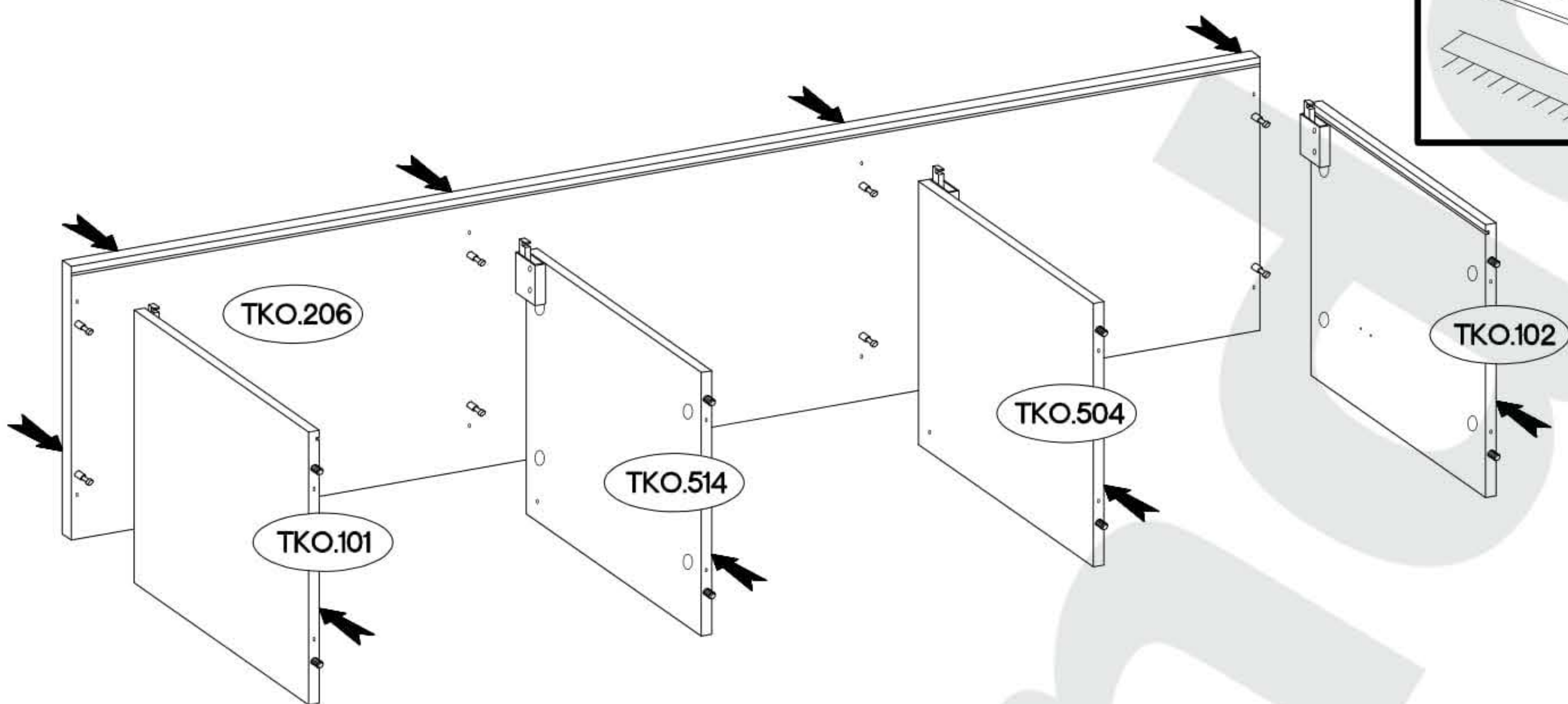
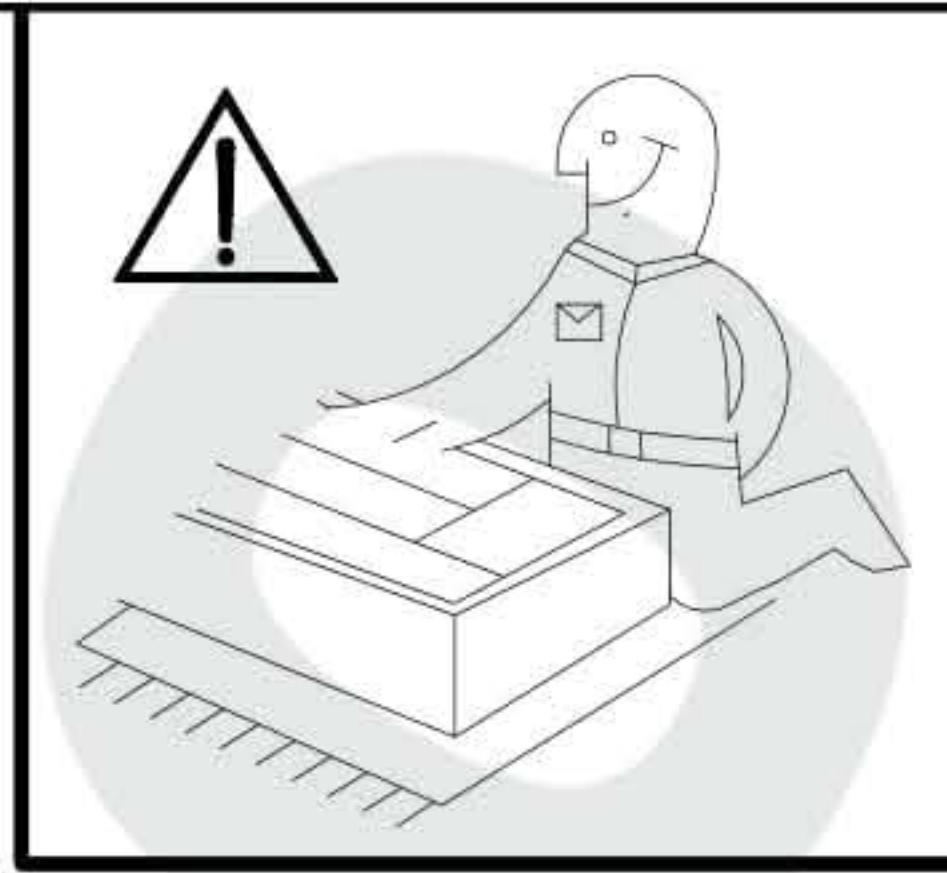


3

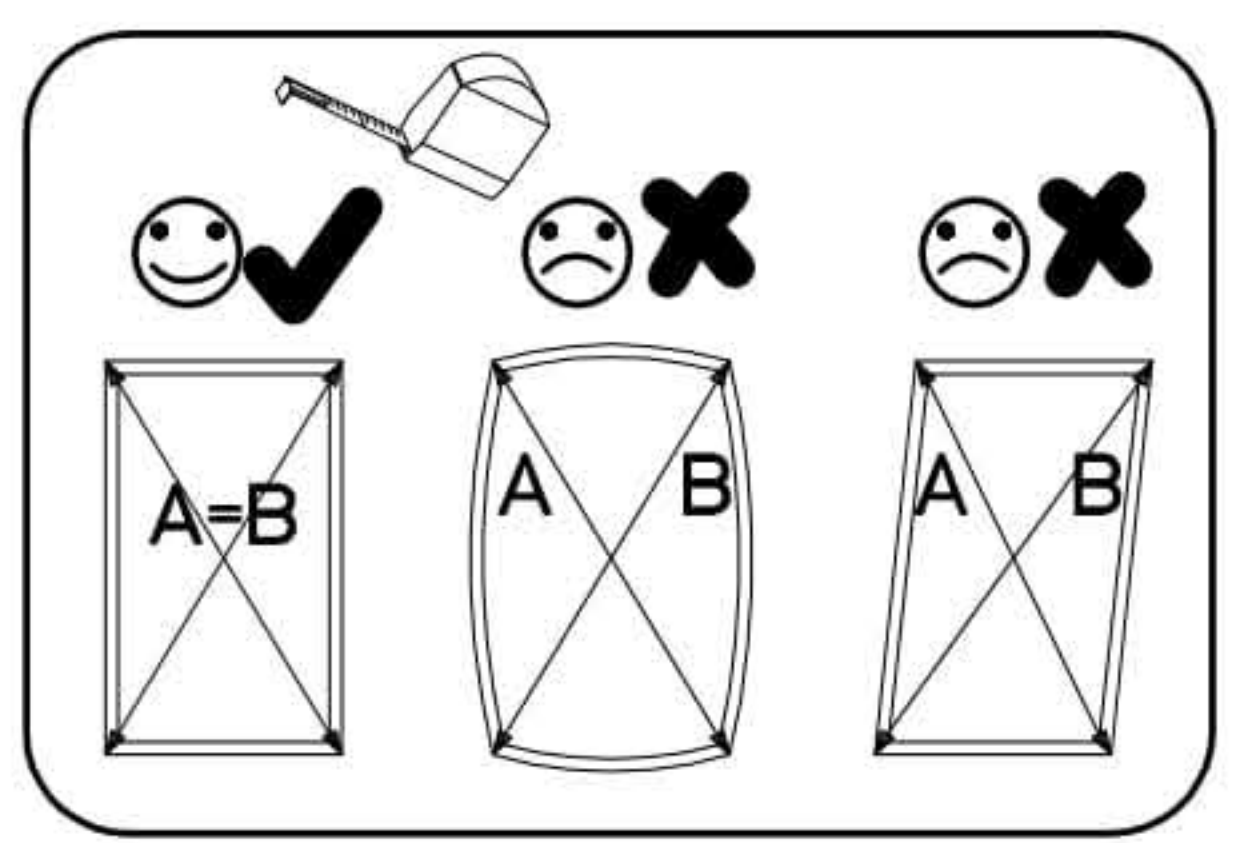
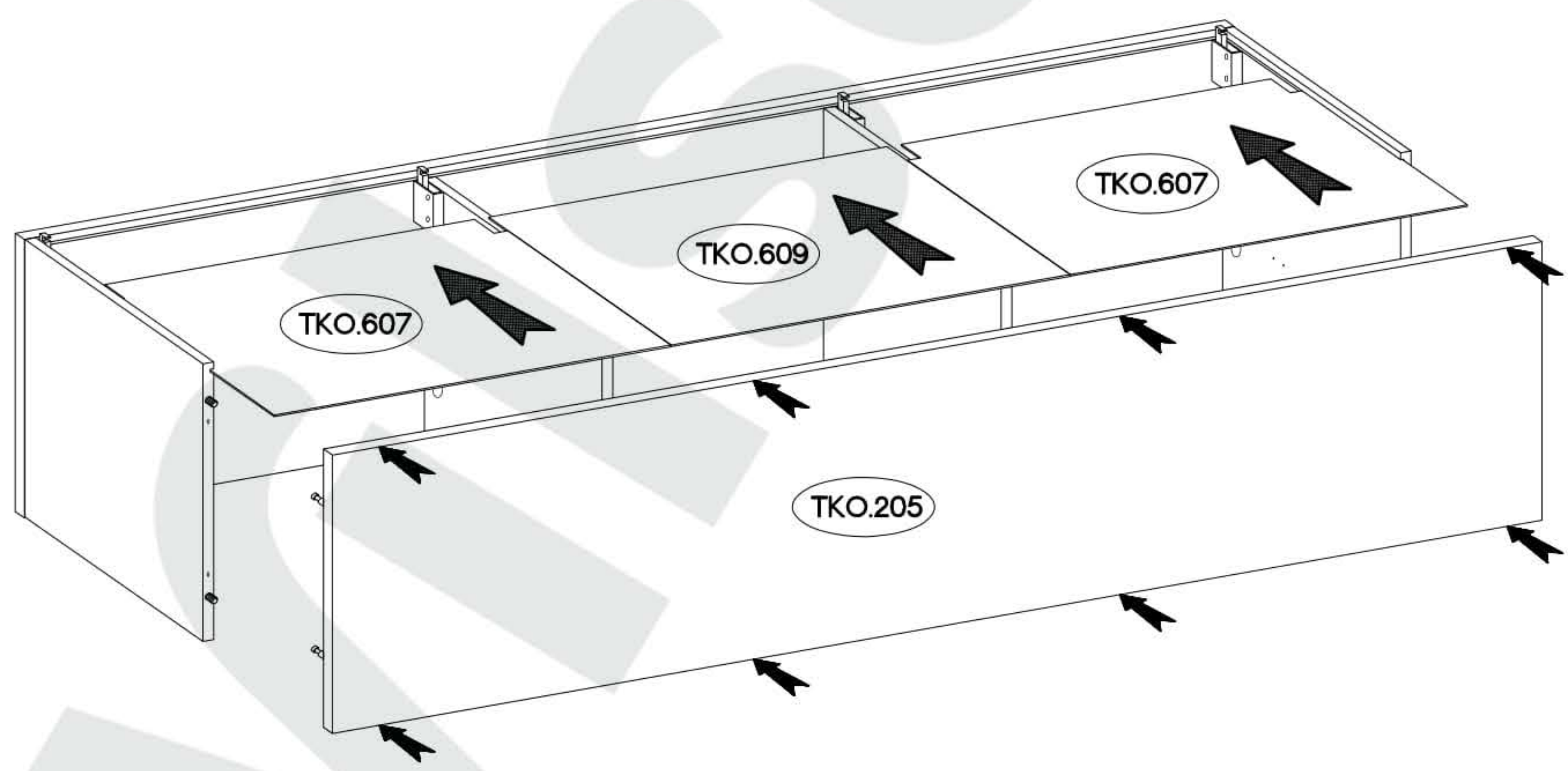
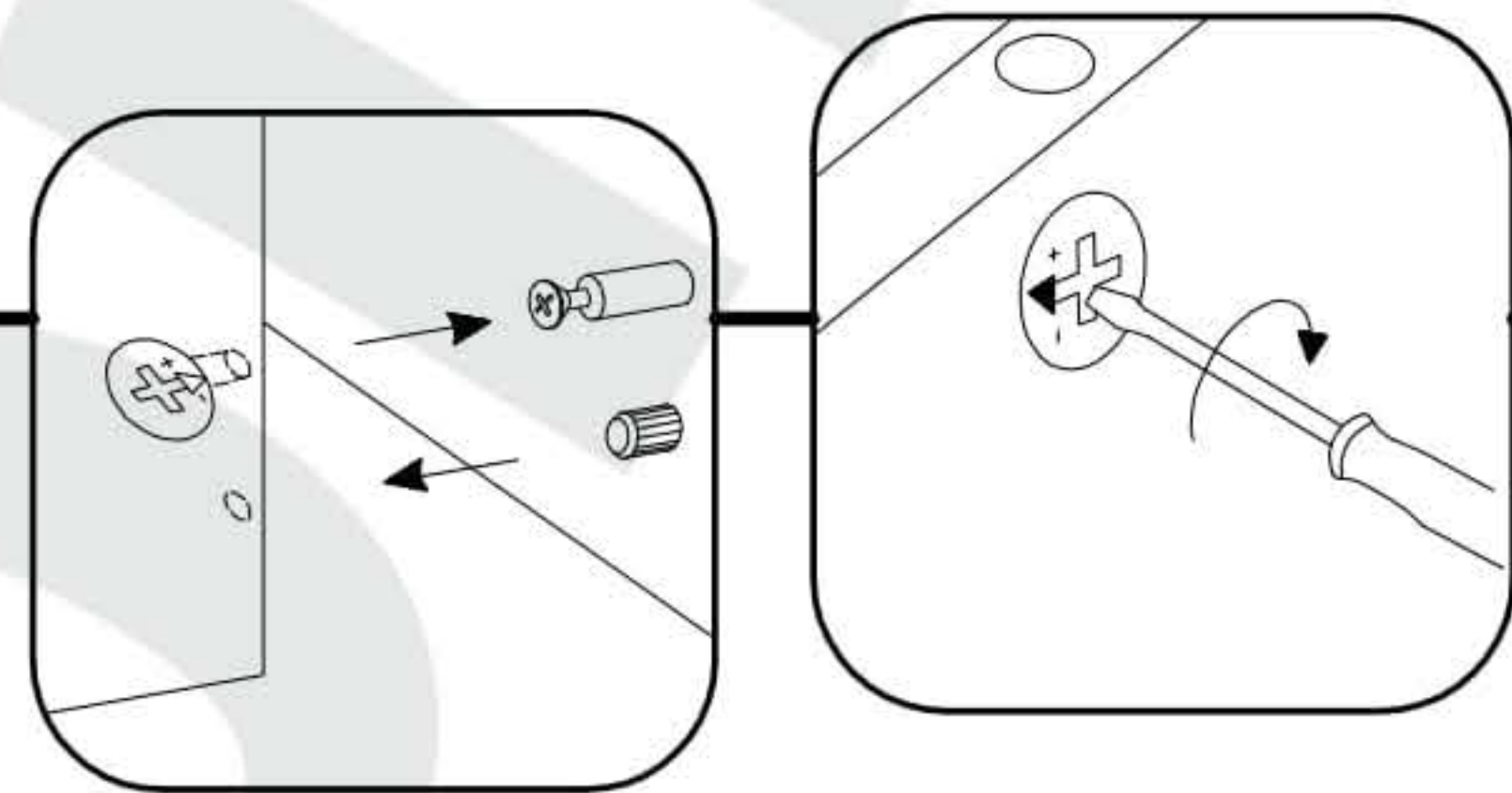




4


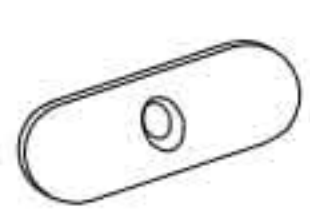
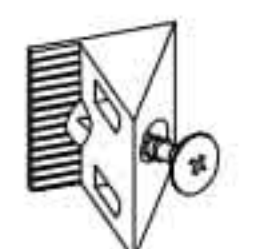


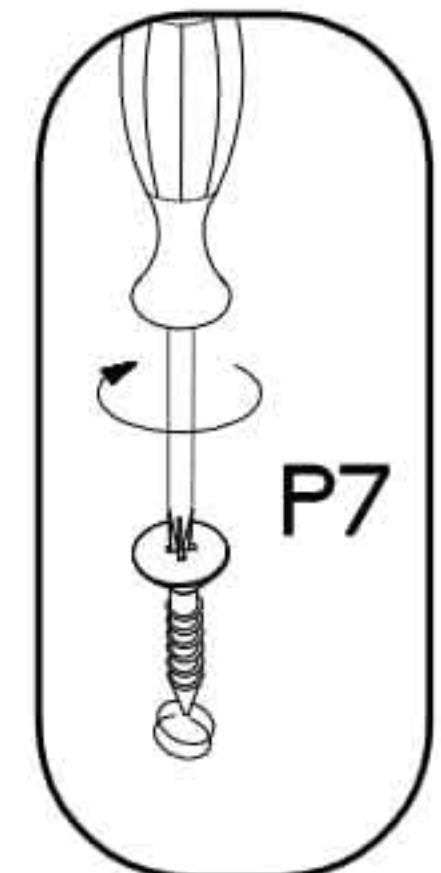
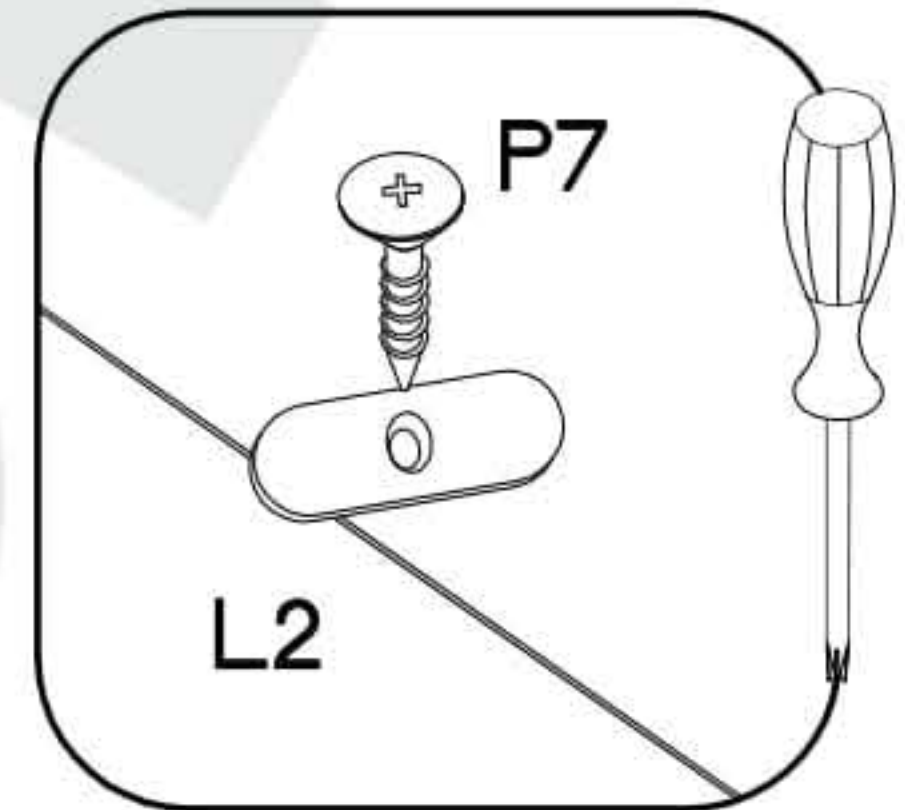
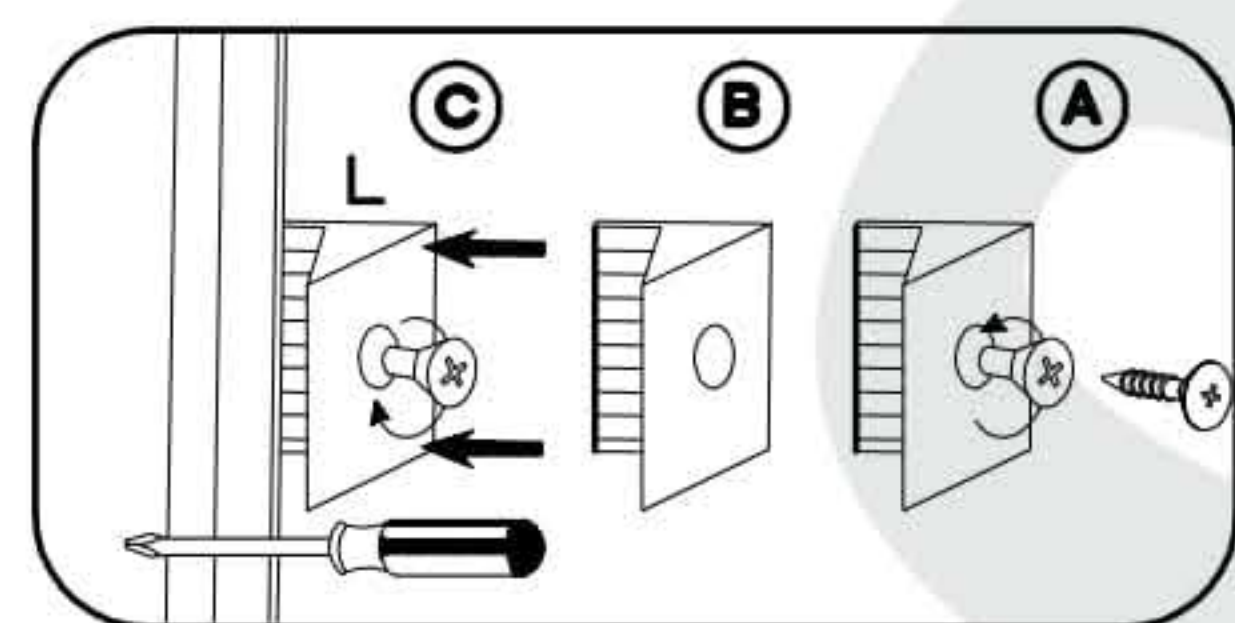
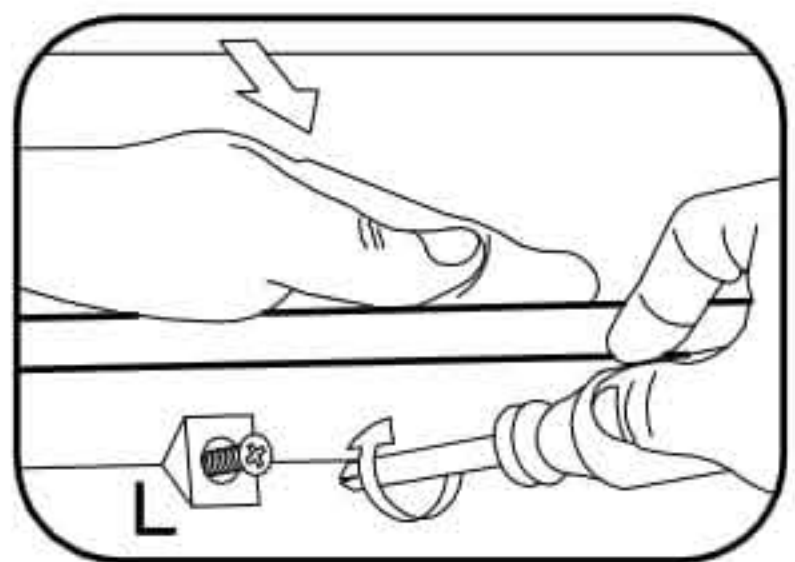
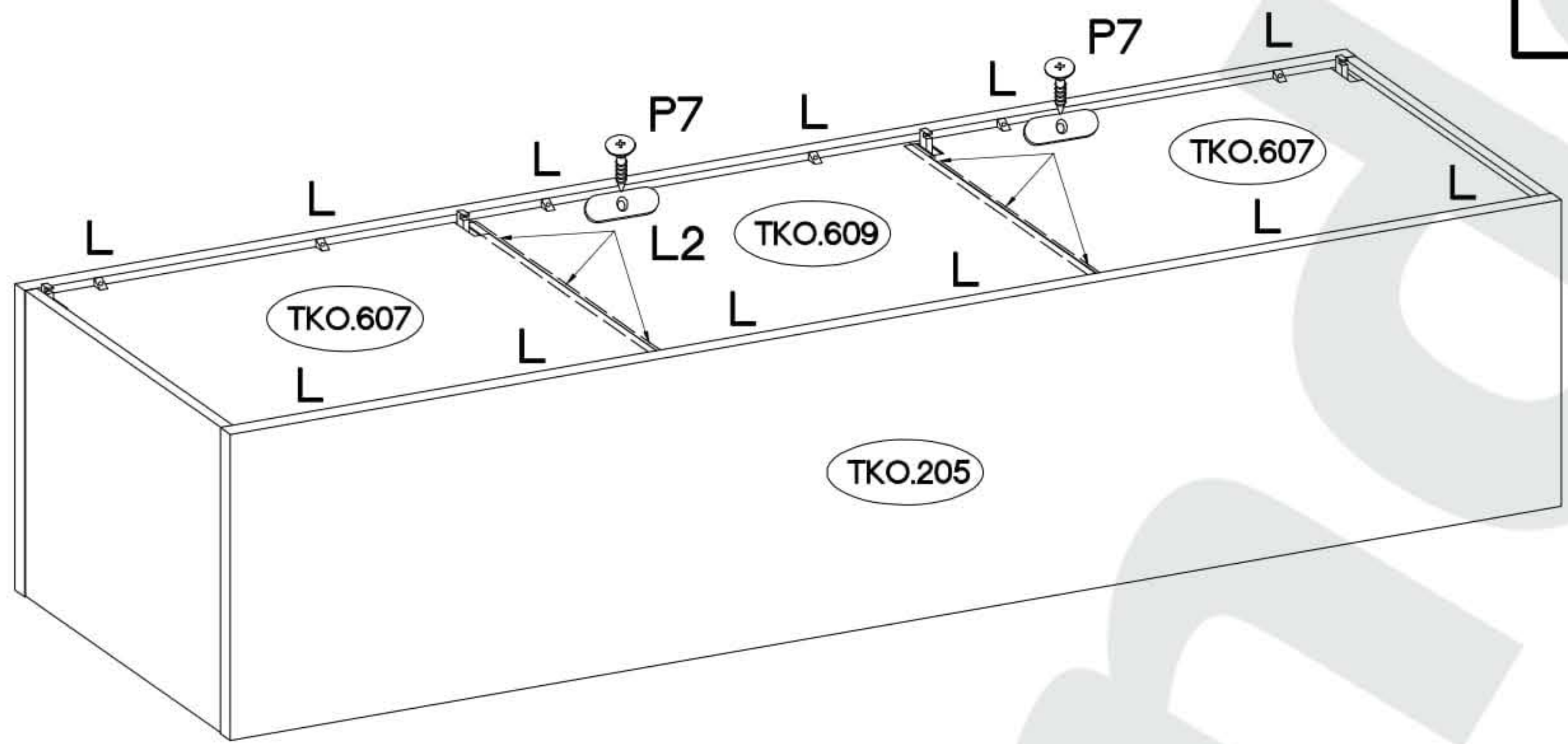
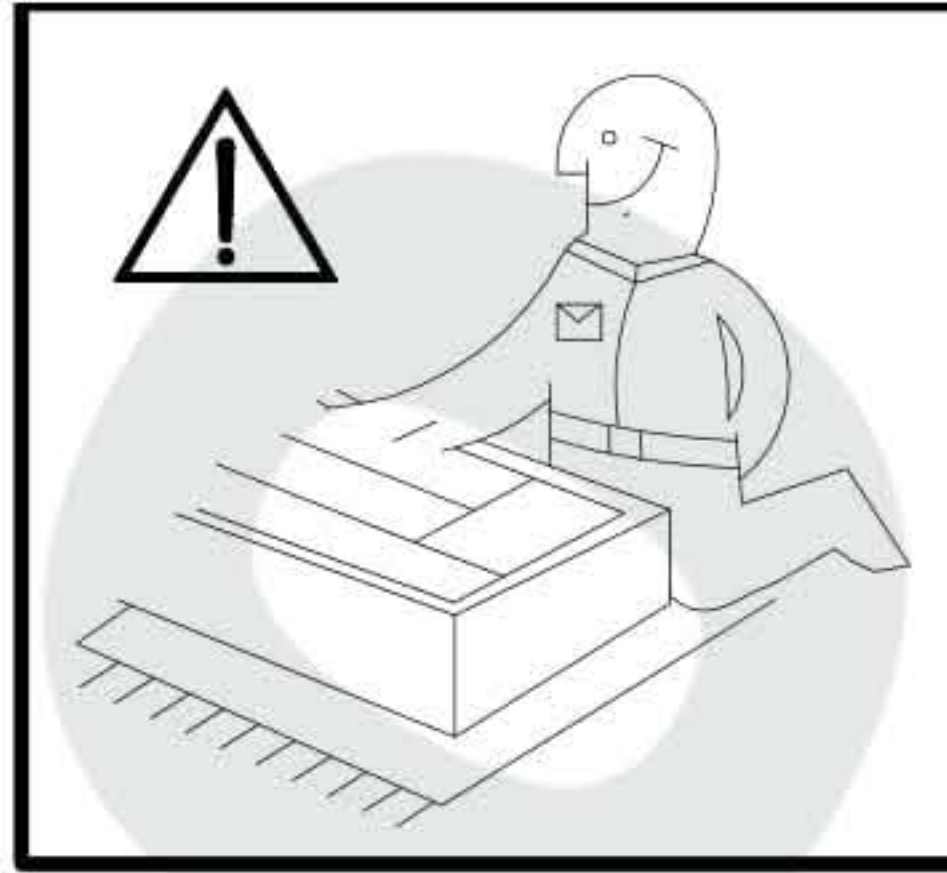
5



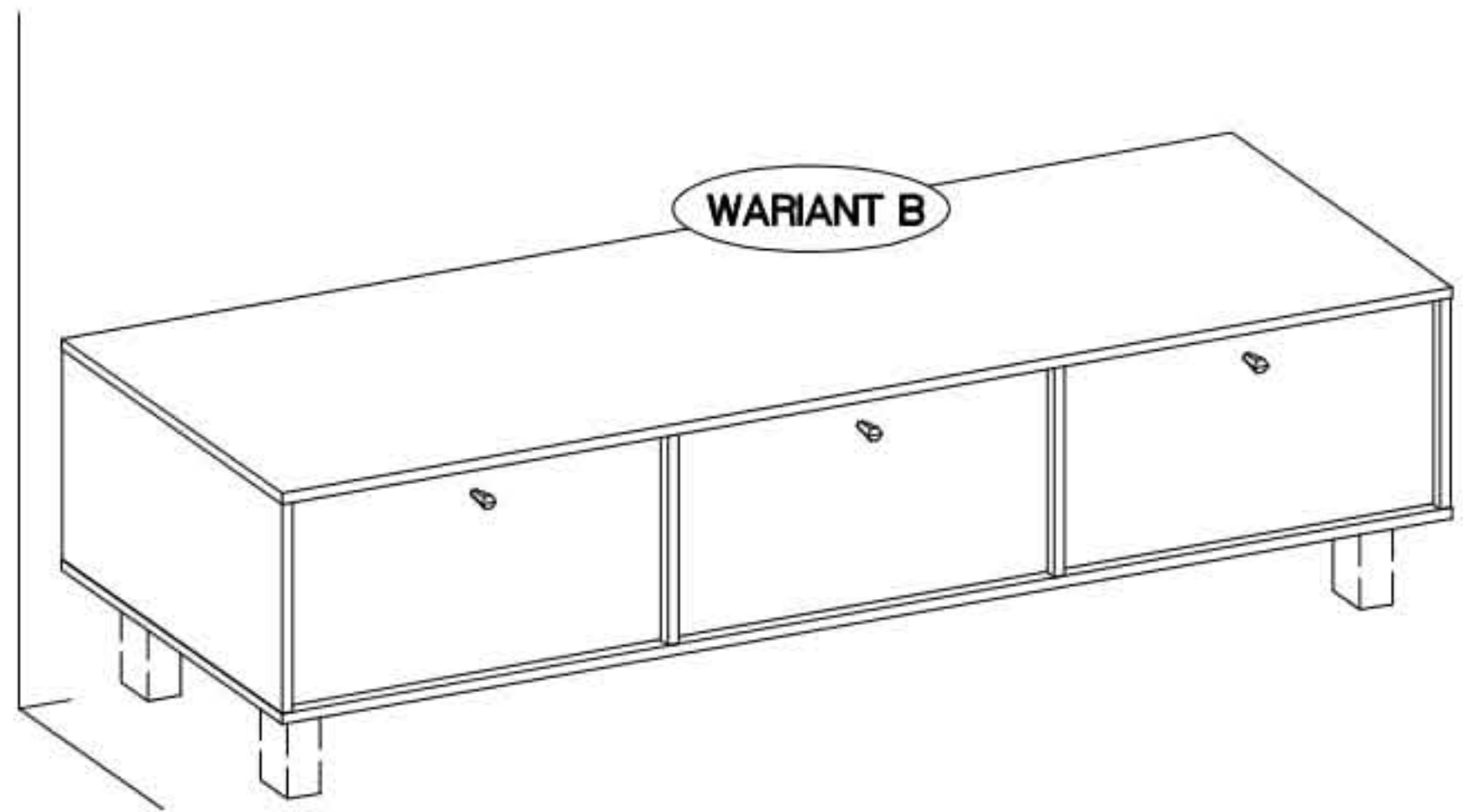
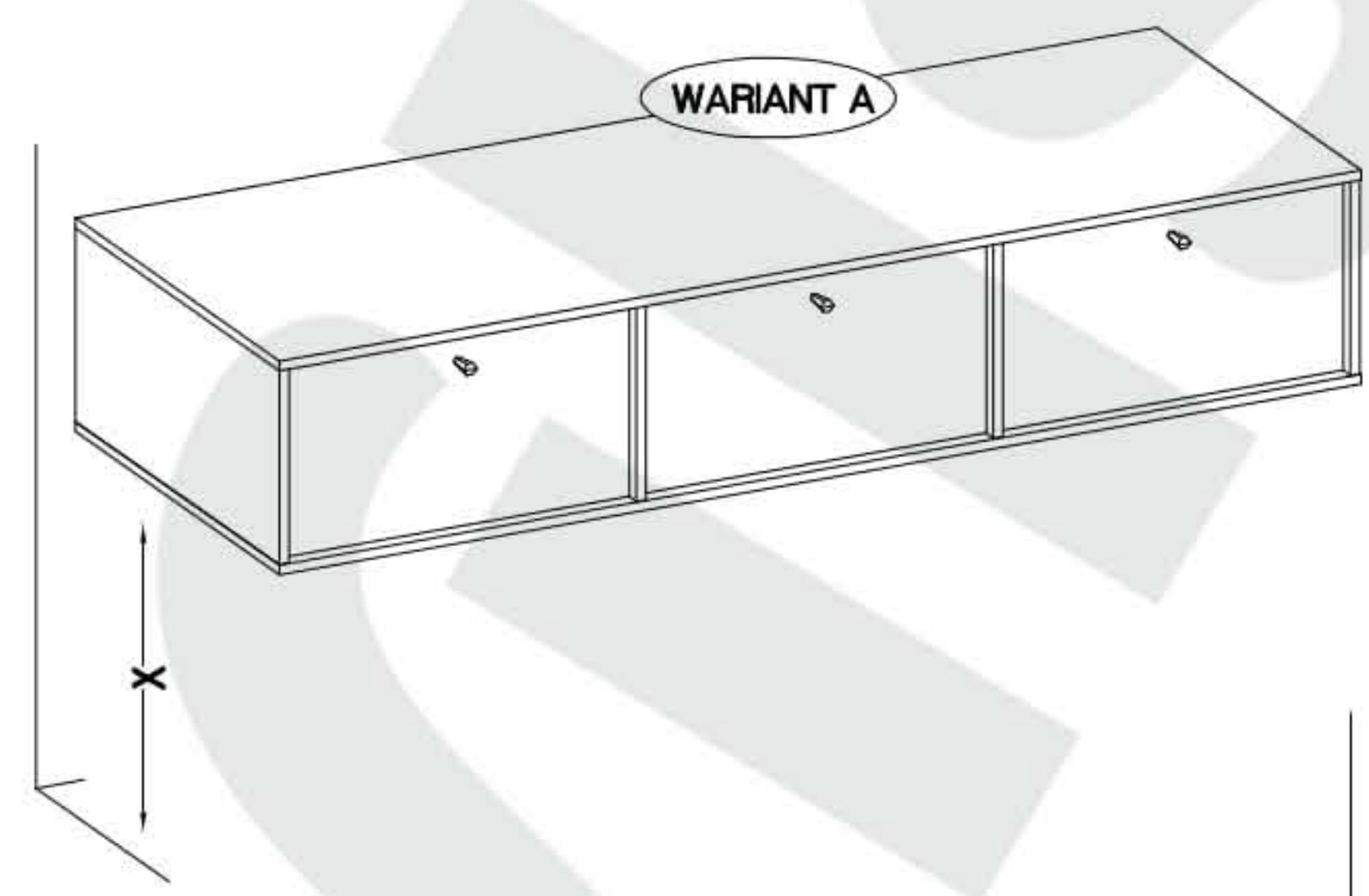


6

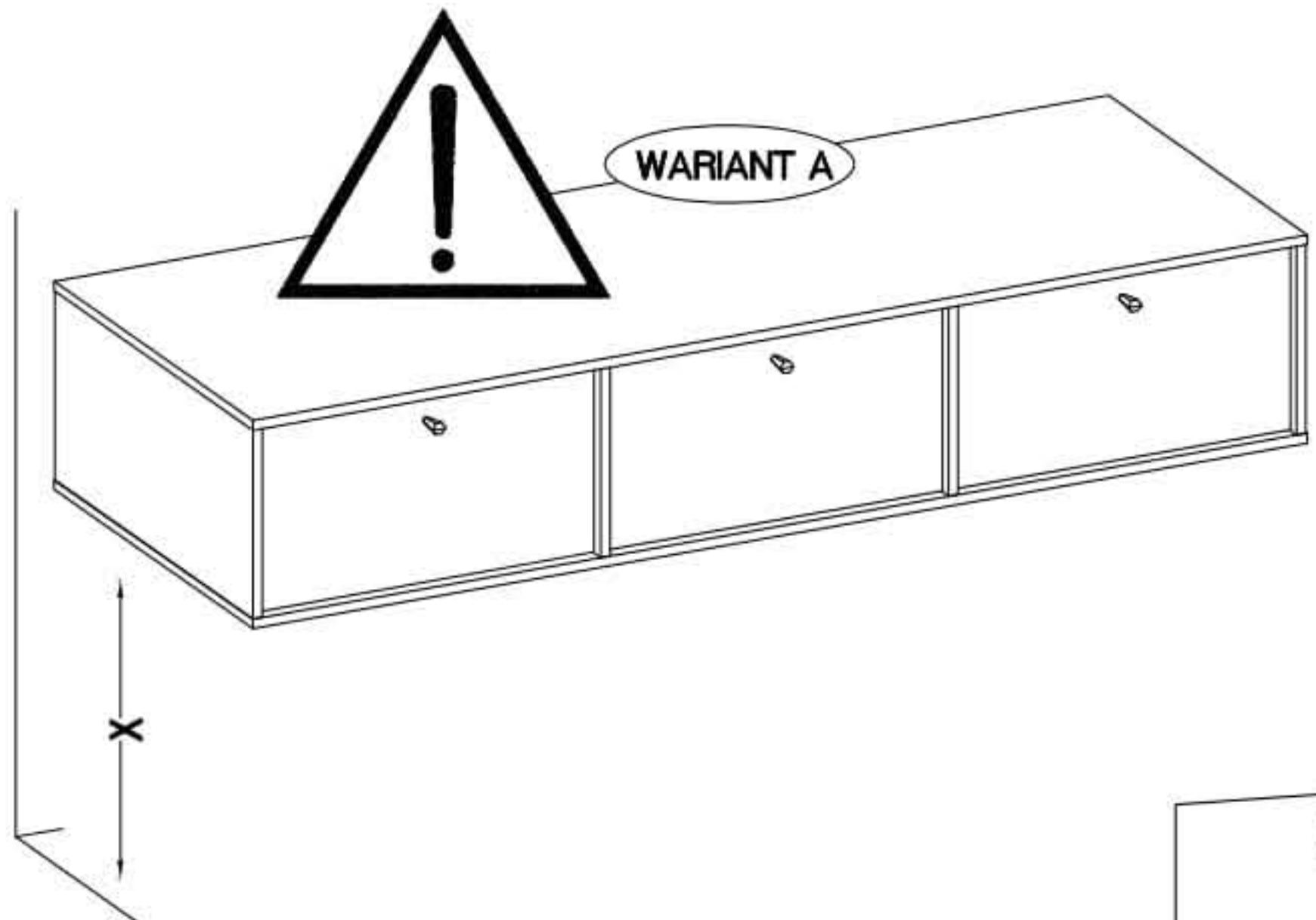
†3.0x20mm  <b>P7</b> 6	 <b>L2</b> 6	 <b>L</b> 12
------------------------------------------------------------------------------------------------------------------	----------------------------------------------------------------------------------------------------	----------------------------------------------------------------------------------------------------



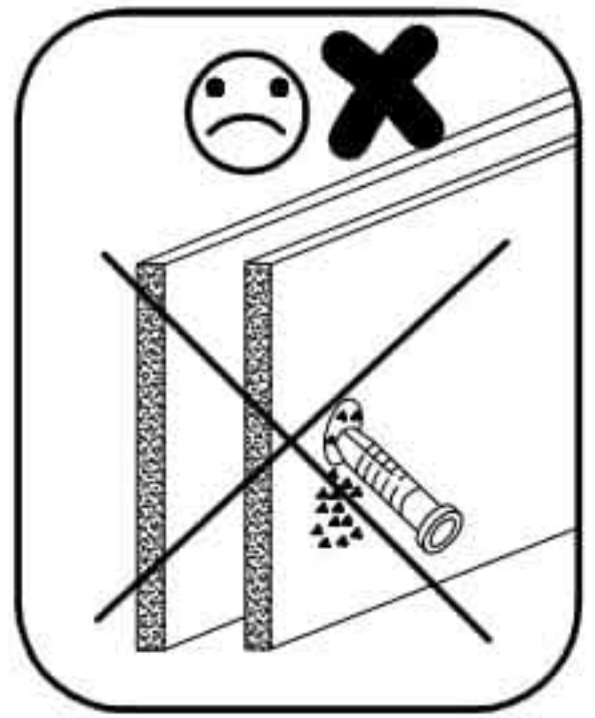
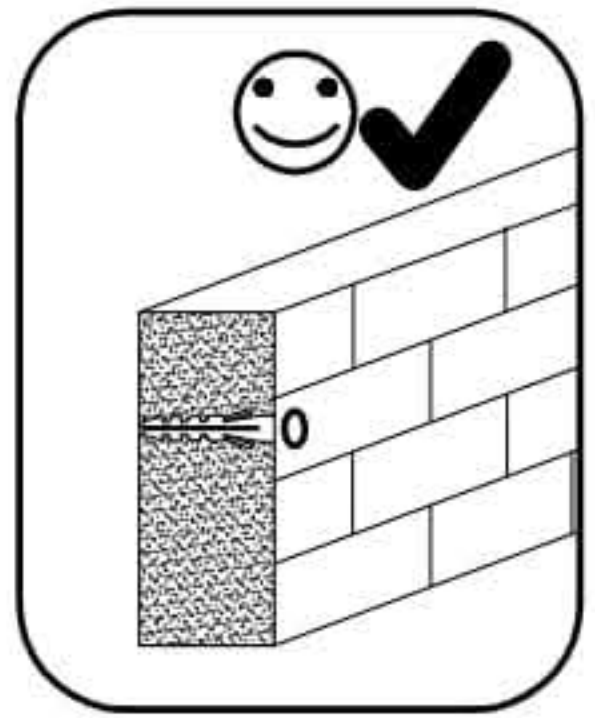
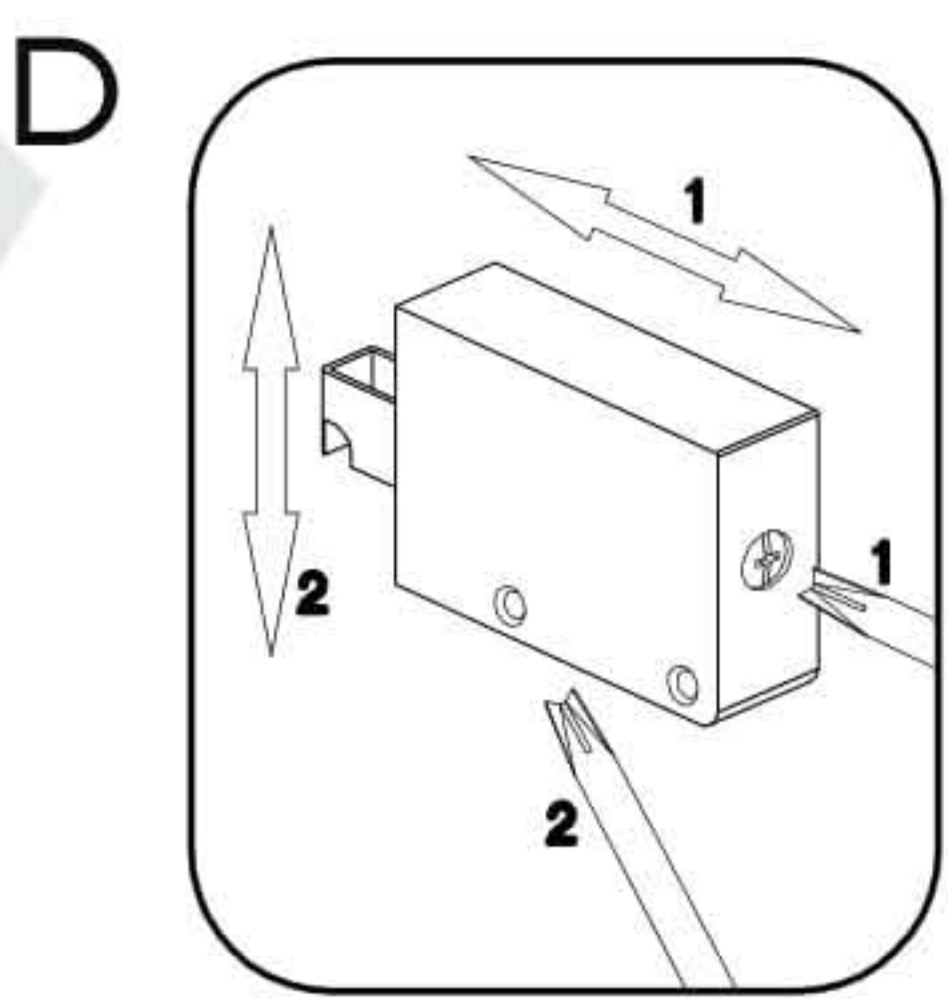
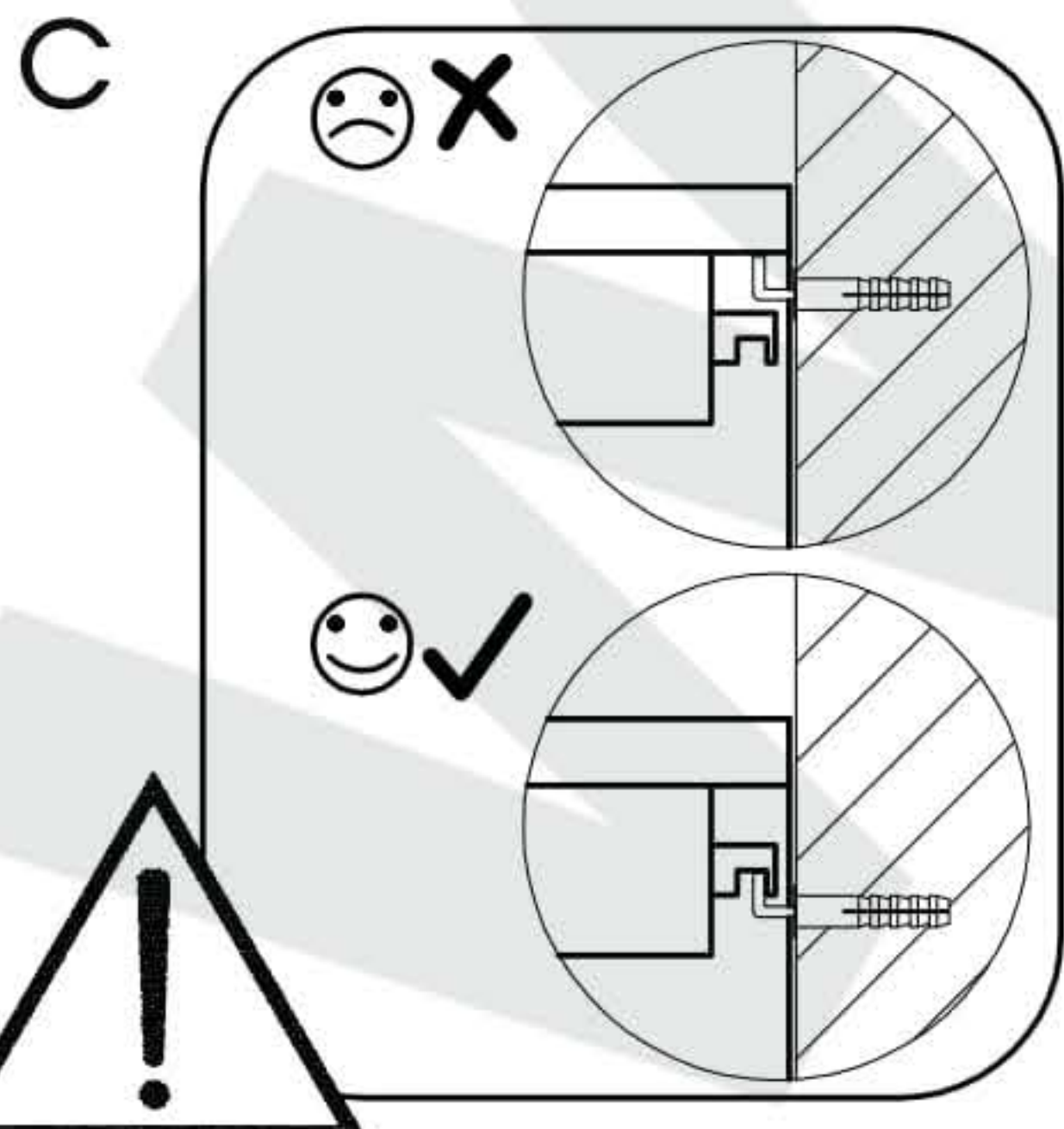
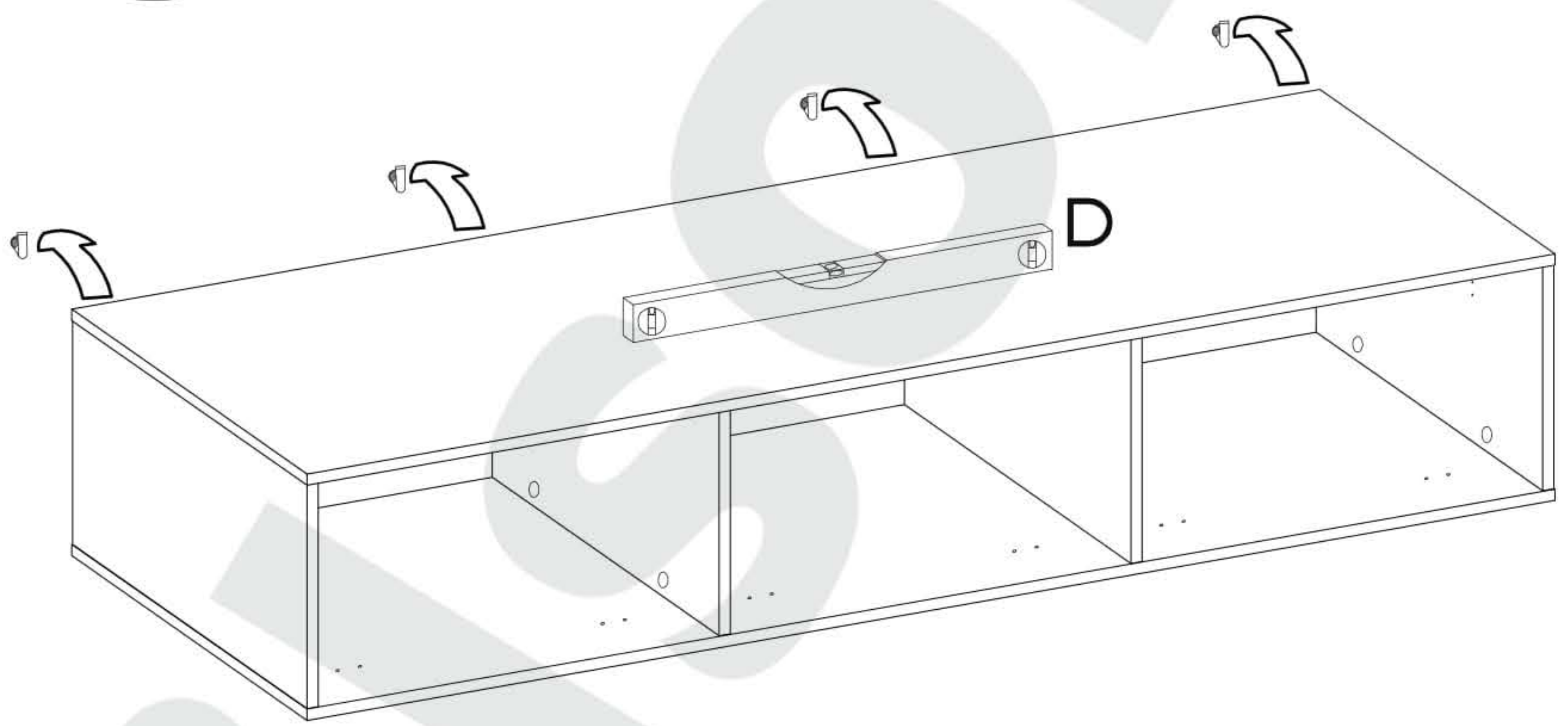
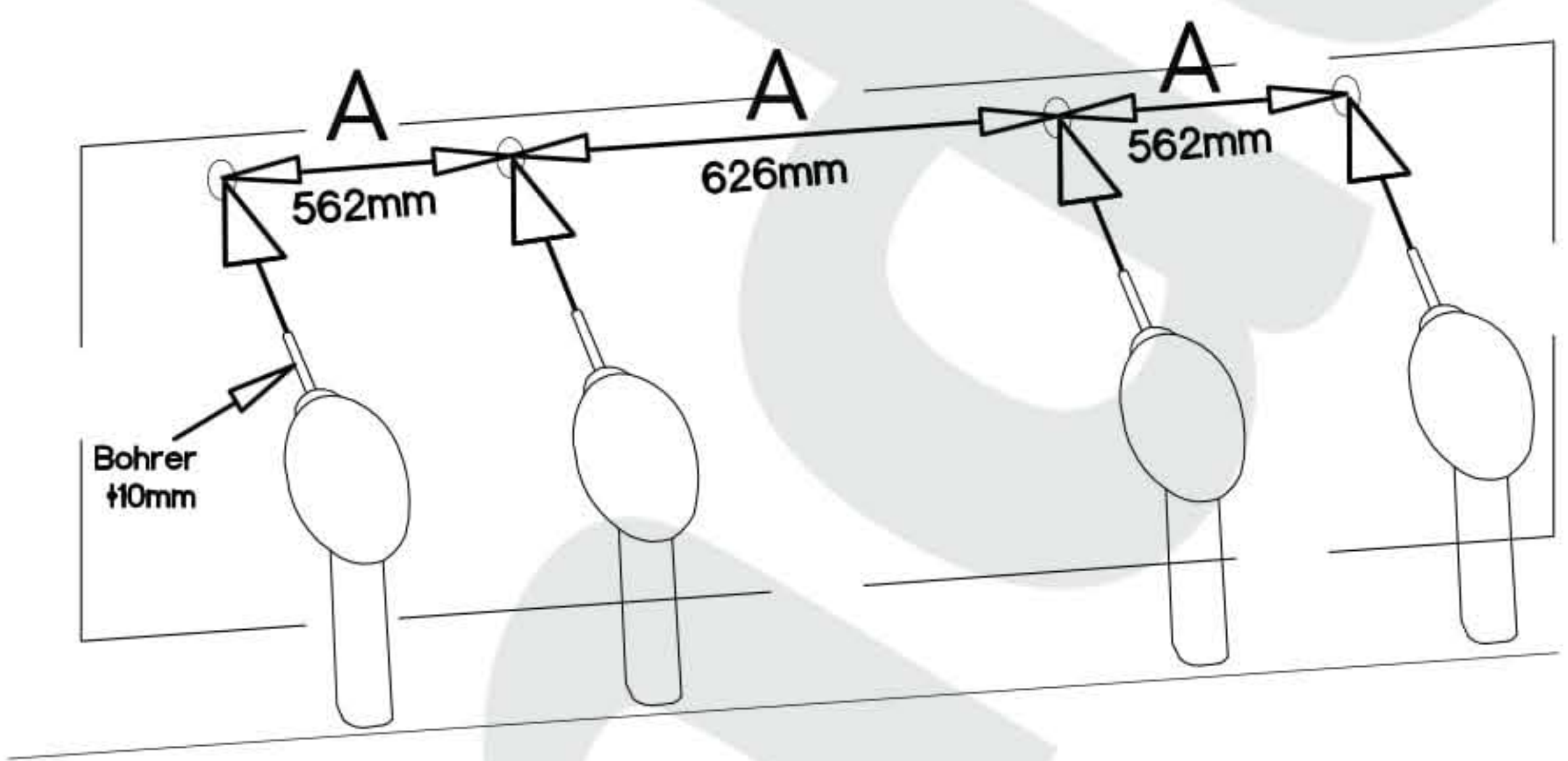
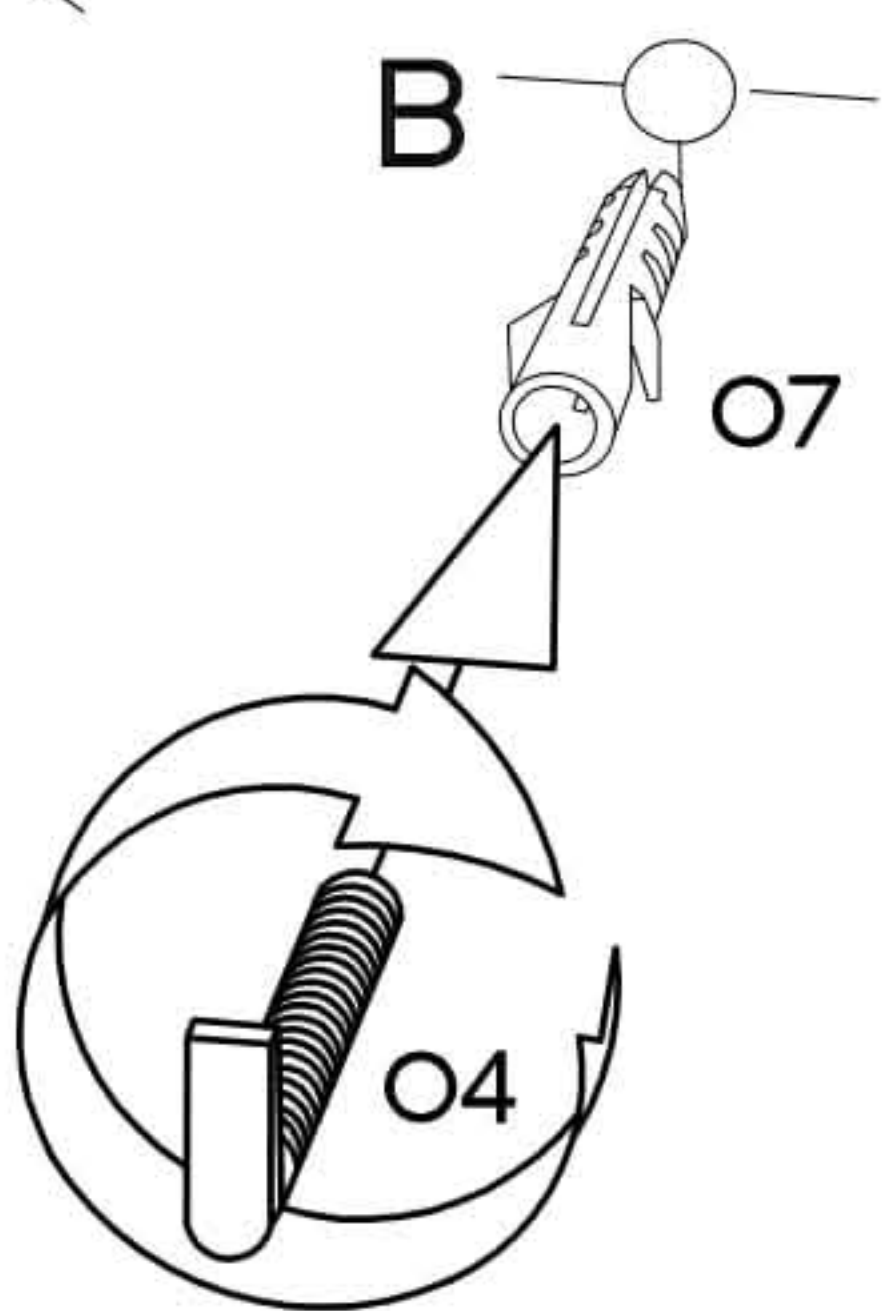
7



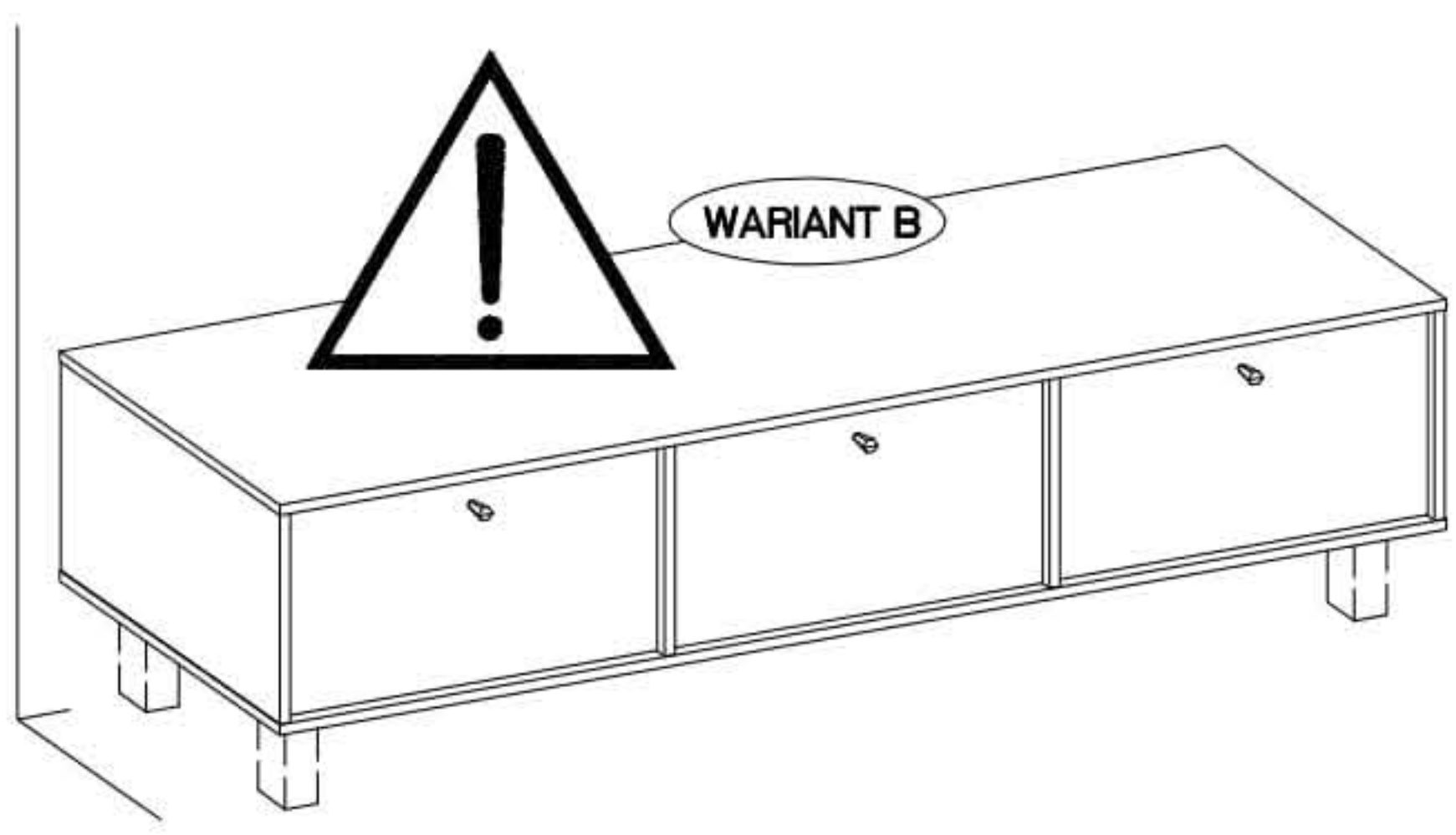




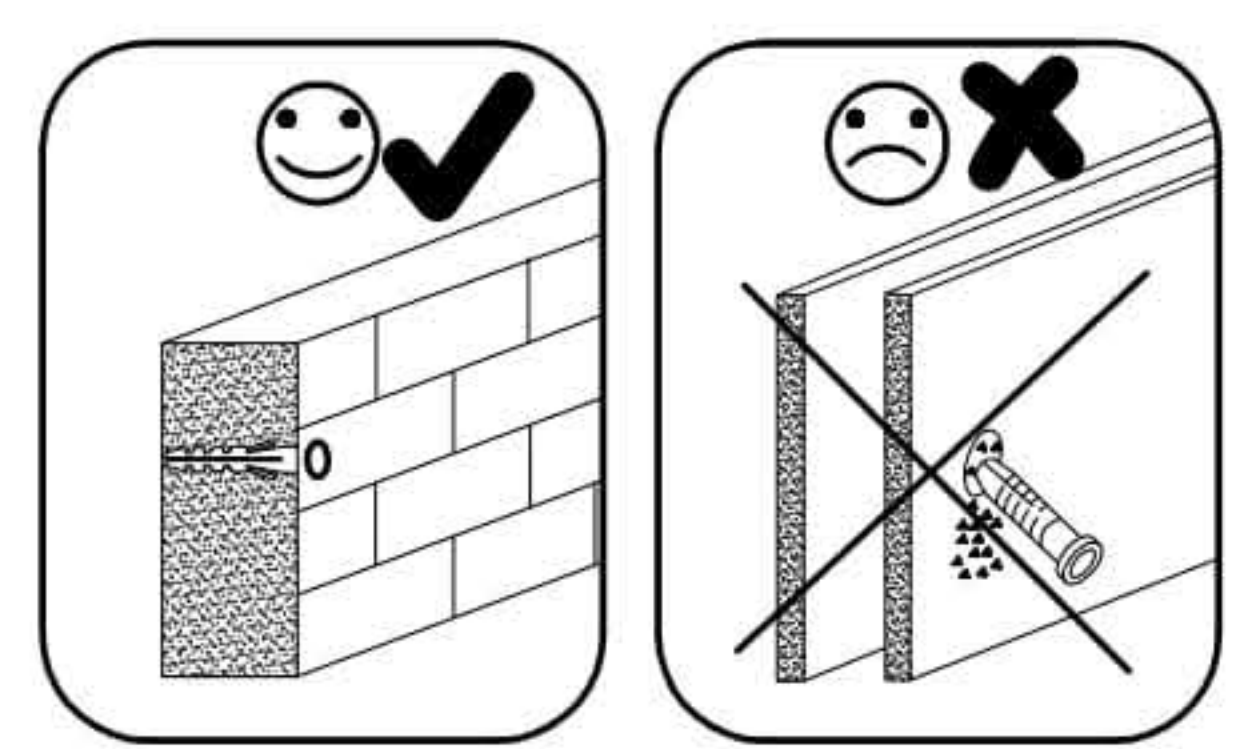
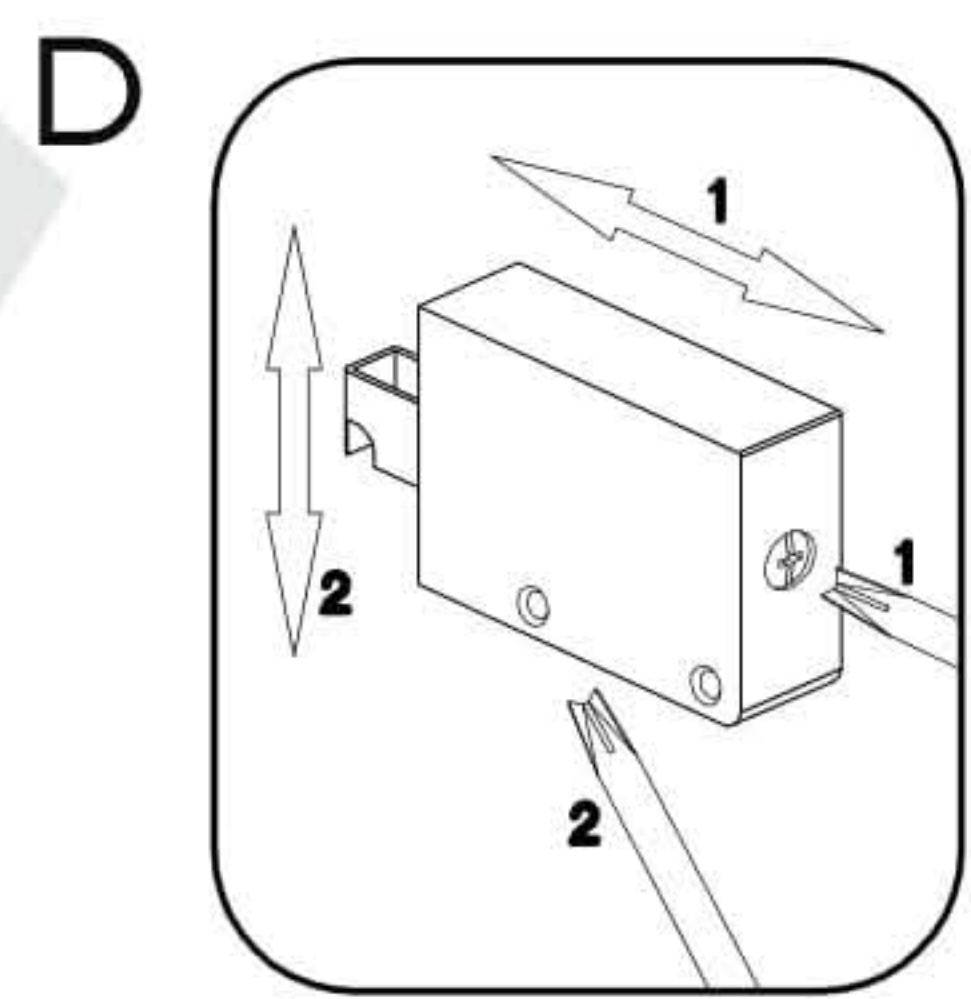
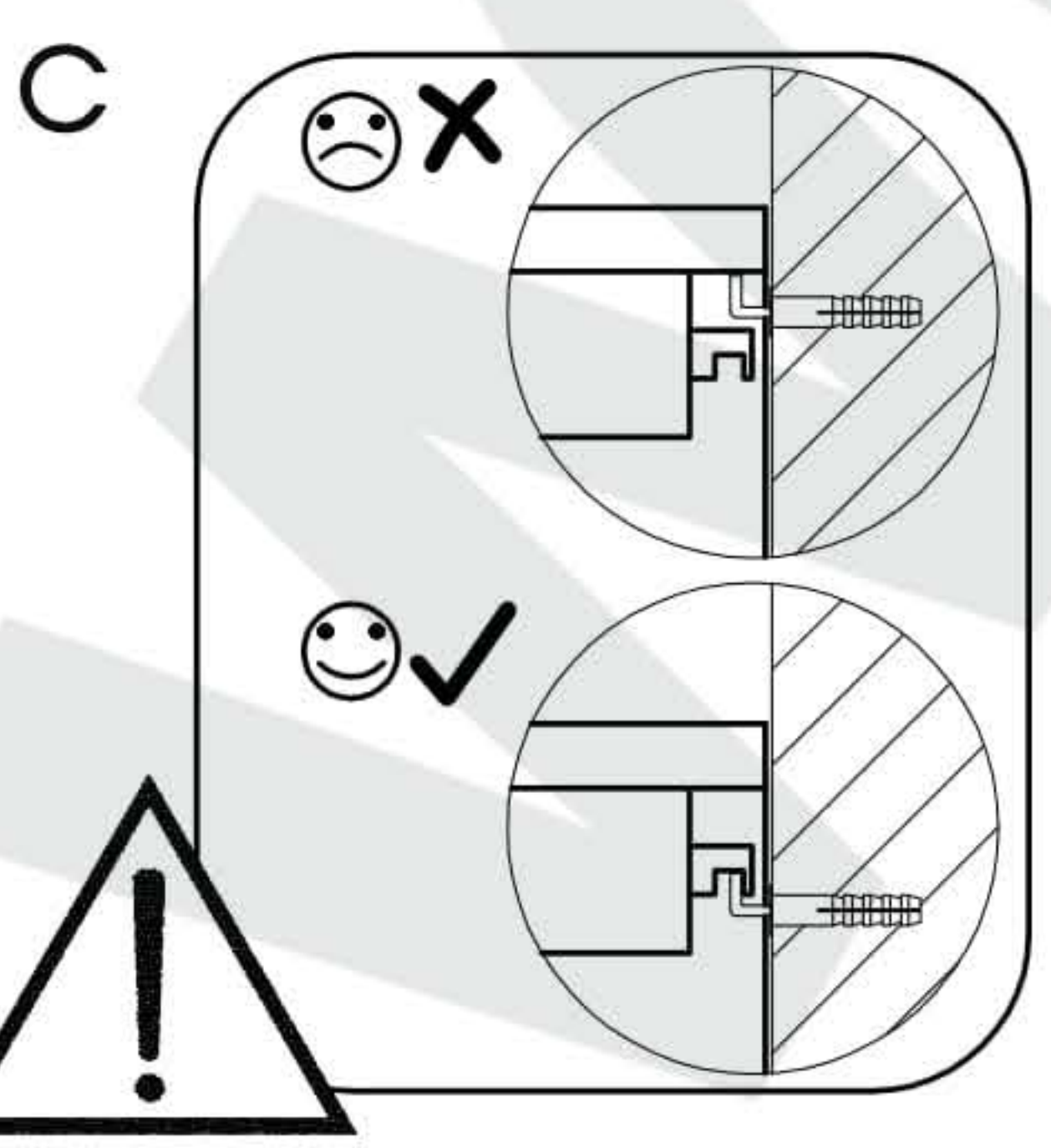
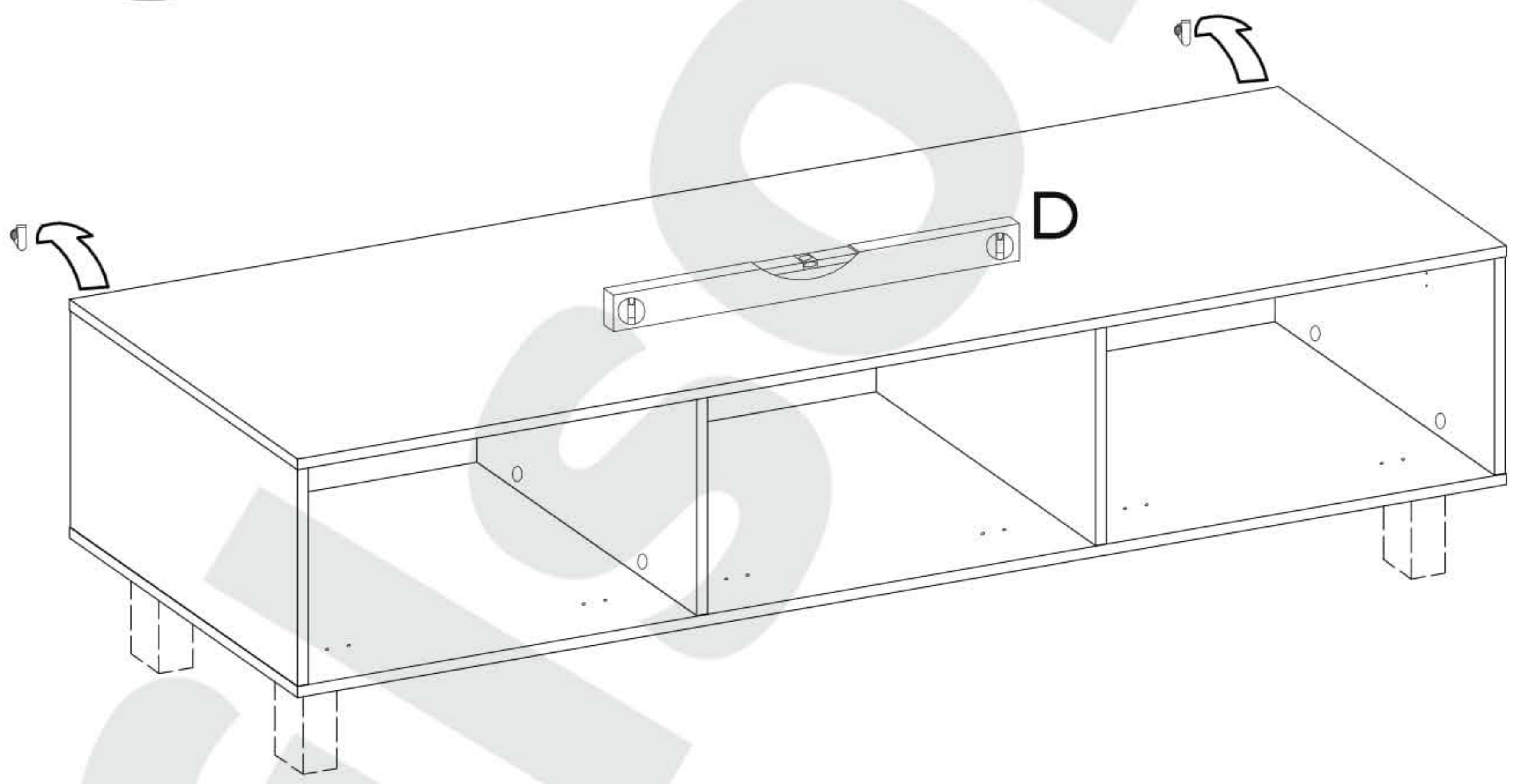
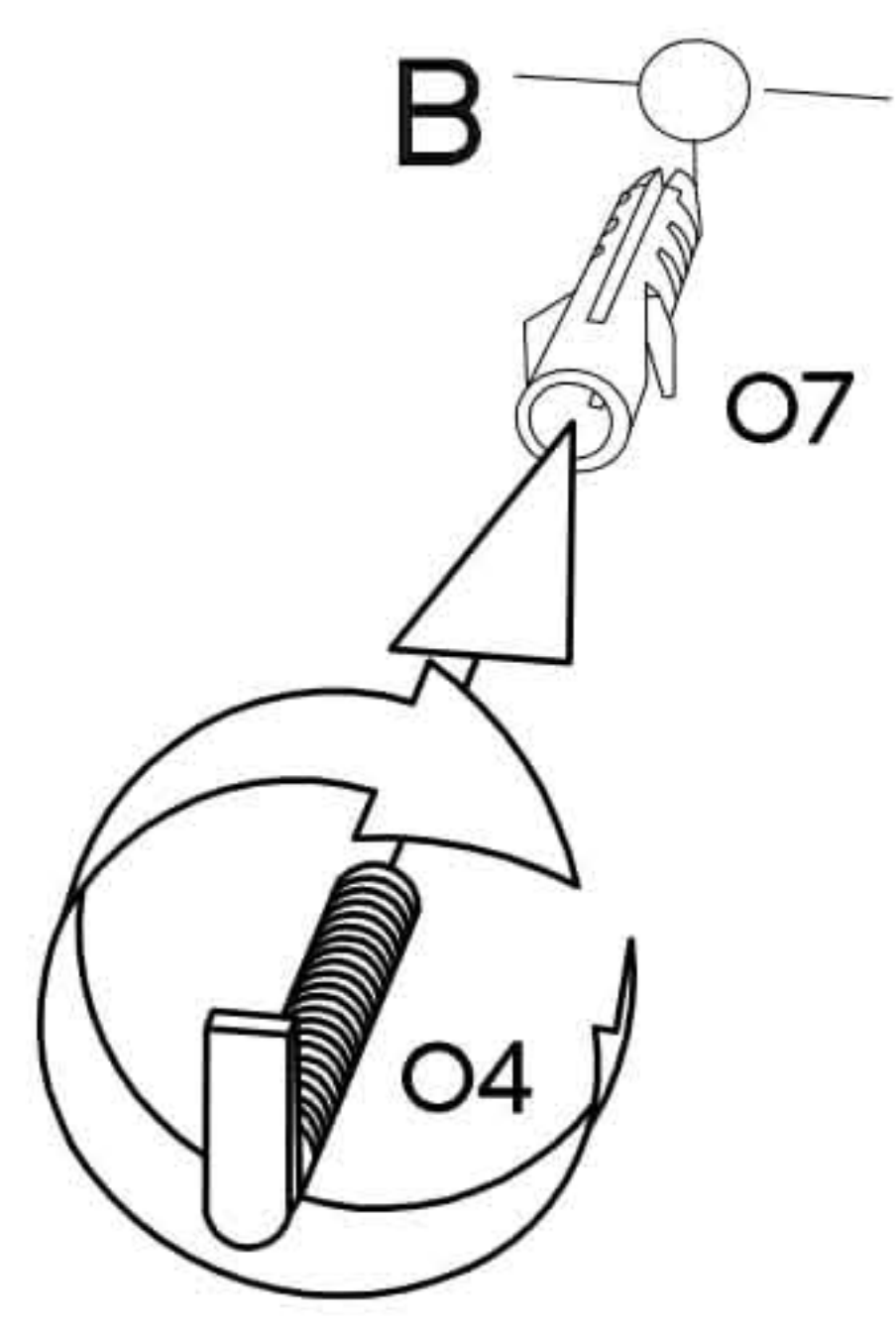
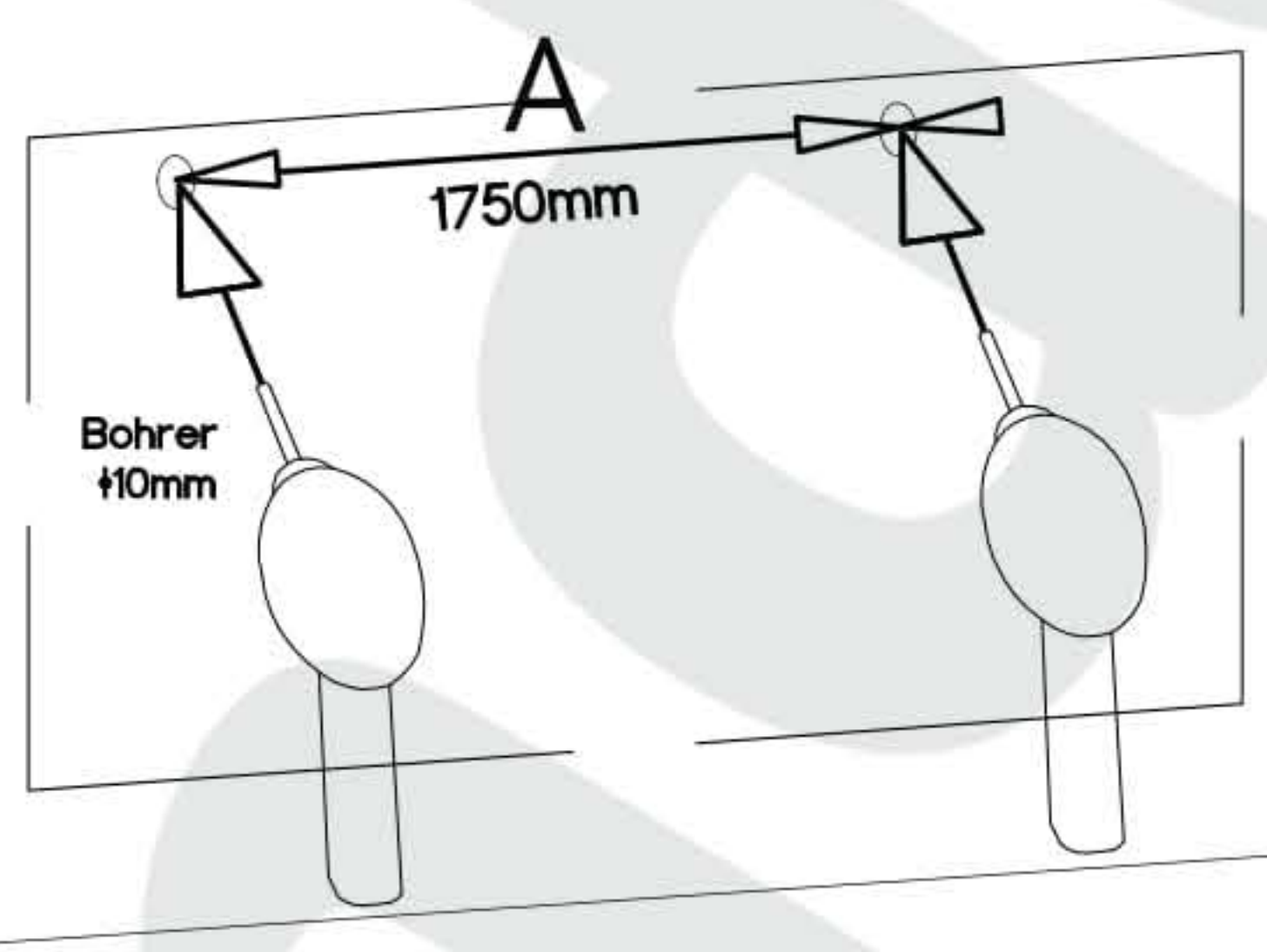
$\text{f10x50mm}$  <b>O7</b> 4	$6,5/68\text{mm}$  <b>O4</b> 4
-----------------------------------------	-----------------------------------------





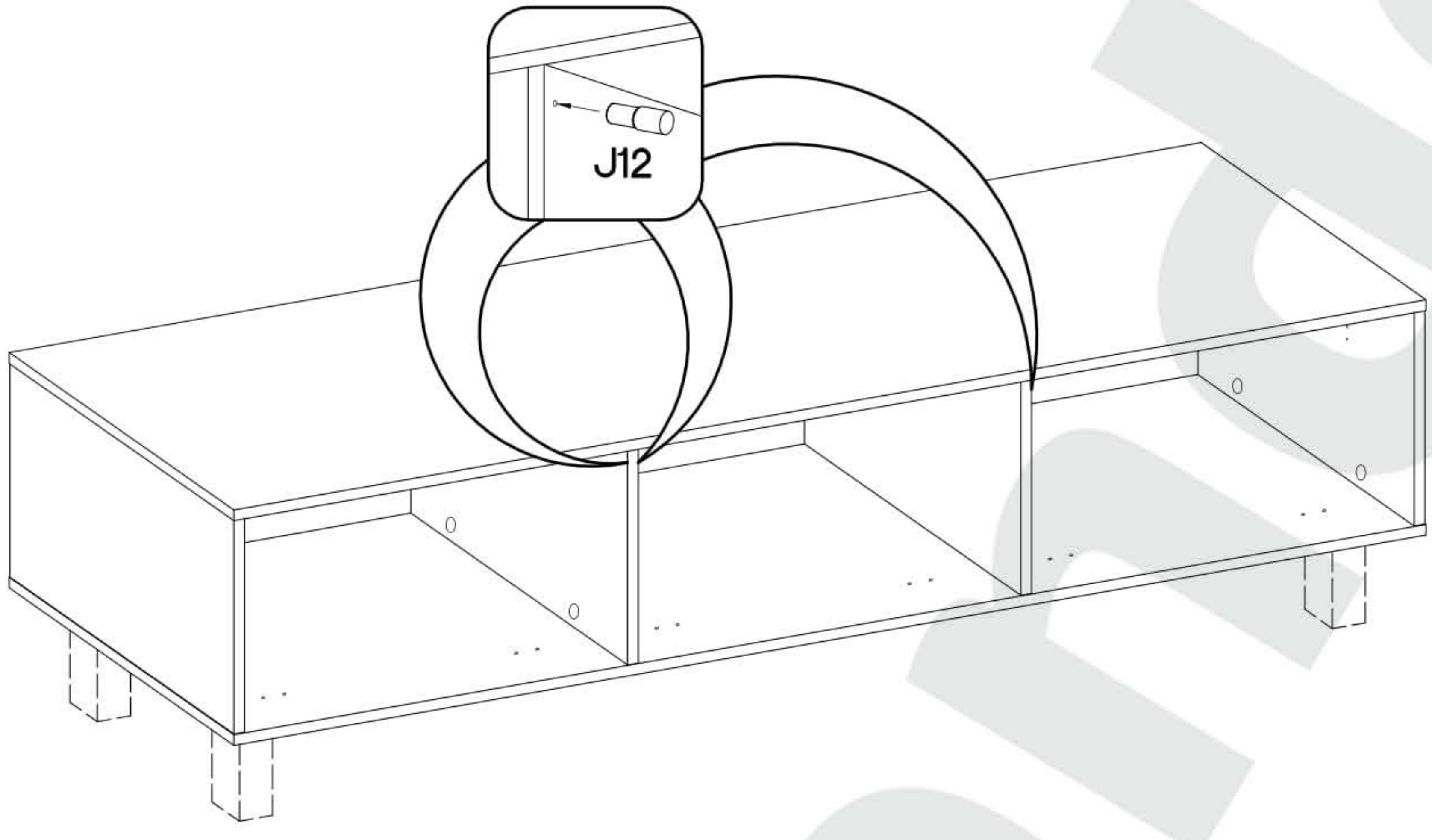
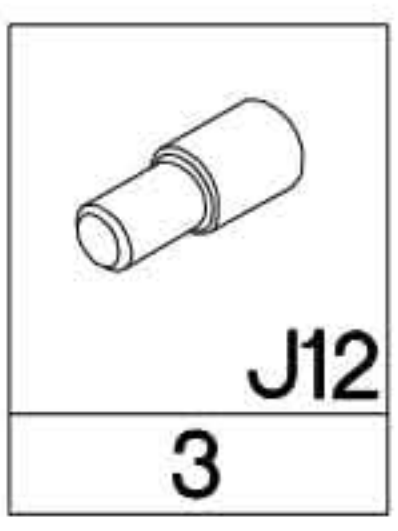


$\text{f}10 \times 50 \text{mm}$  O7 2	$6,5/68 \text{mm}$  O4 2
-------------------------------------------------	-----------------------------------



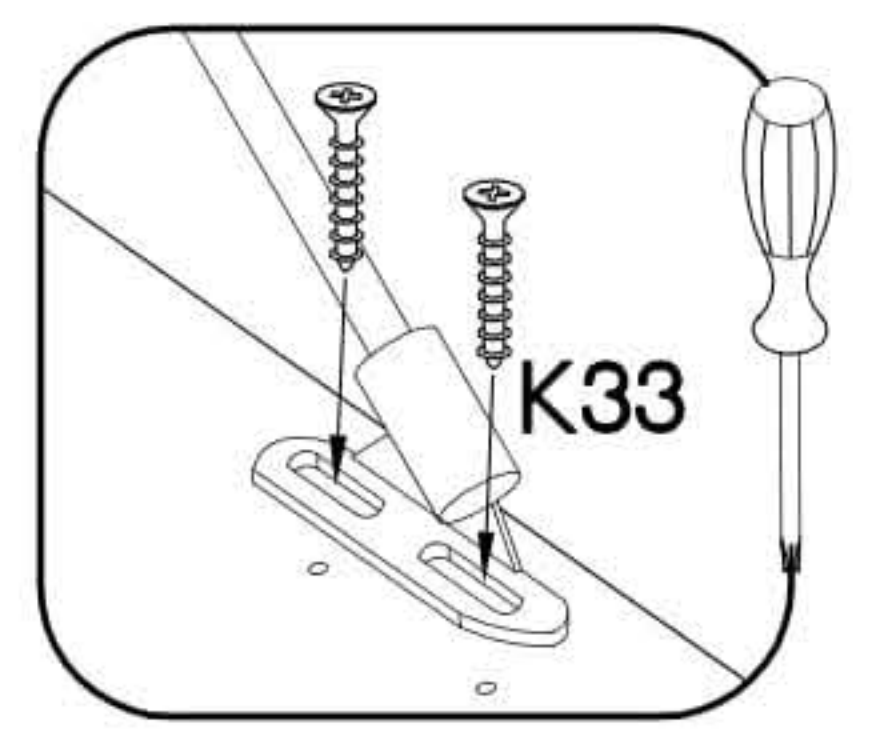
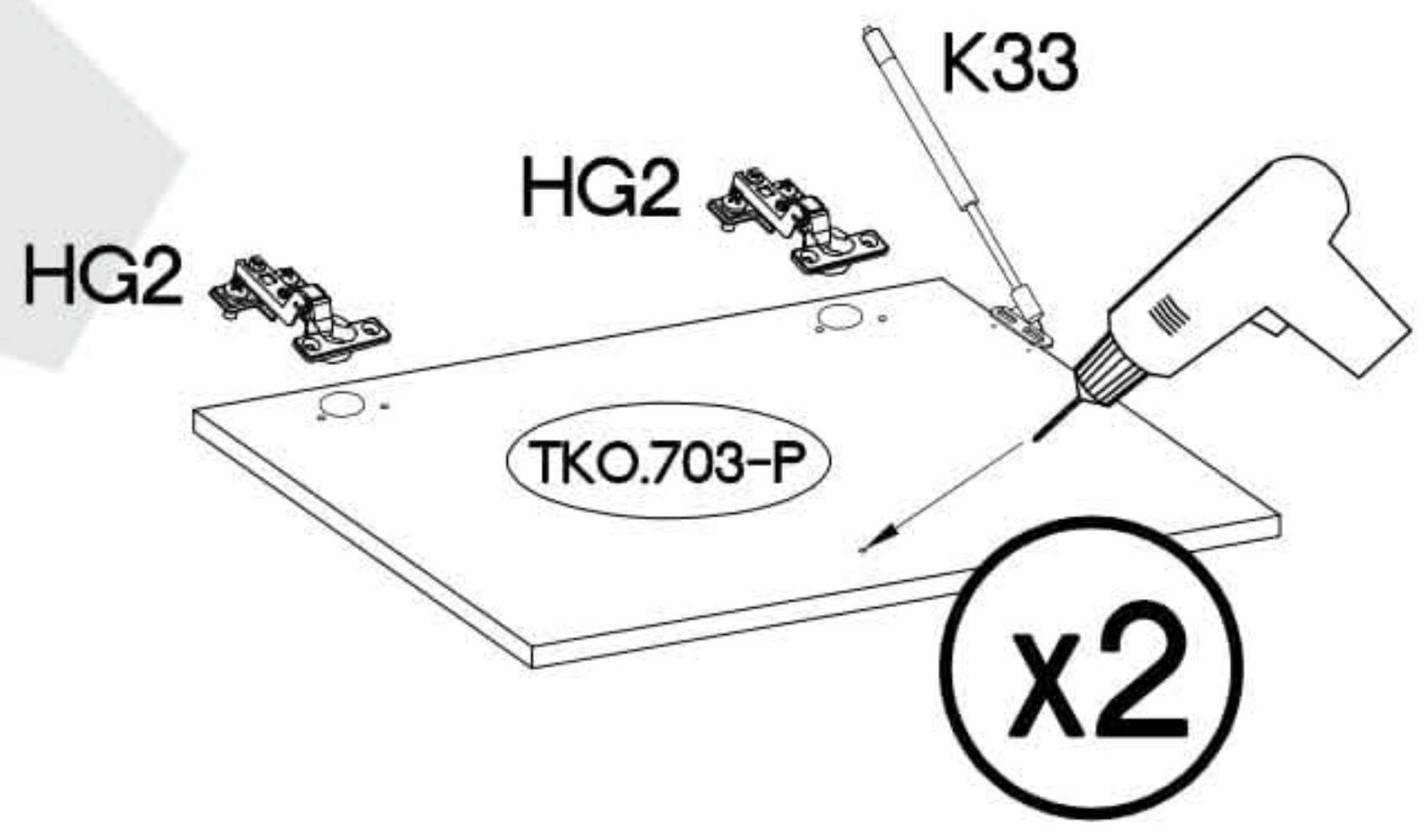
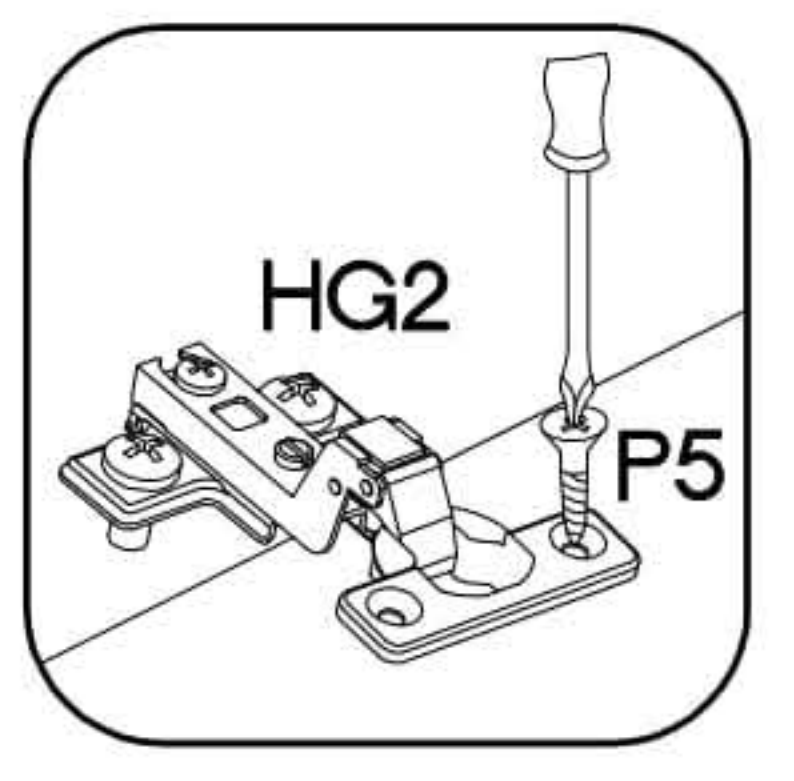
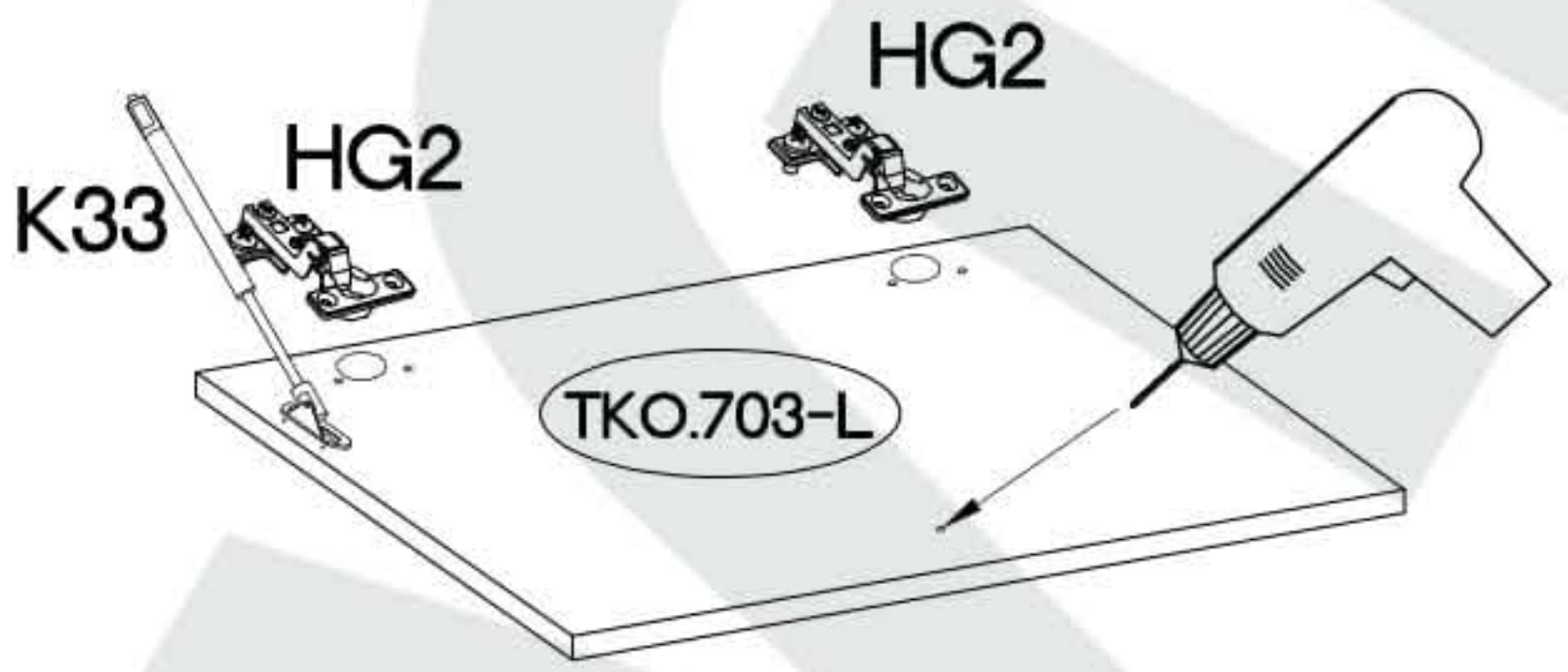
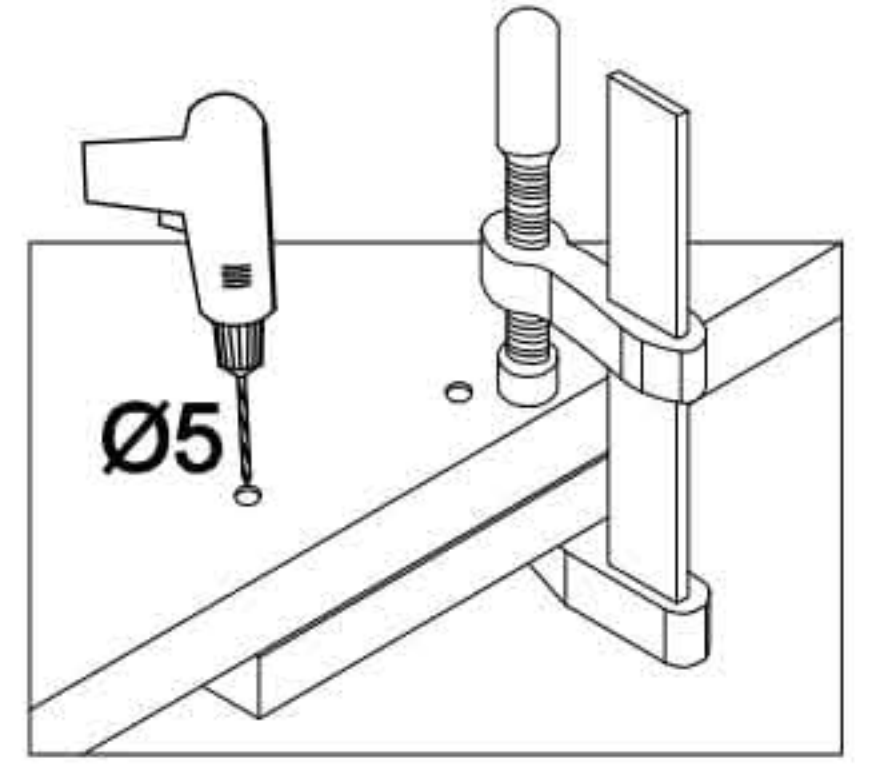


10

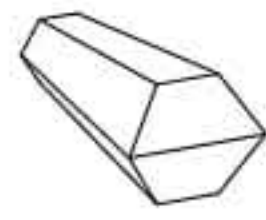

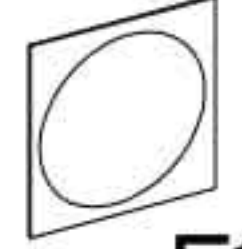


11

<p>±35/16mm HG2 6</p>	<p>±3.5x13mm P5 12</p>	<p>L=270mm 80 N BARKOWY K33 3</p>
-------------------------------	--------------------------------	---------------------------------------------------





 S 3	 M4x22mm U 3	 +20 E11 16
--------------------------------------------------------------------------------------------	-------------------------------------------------------------------------------------------------------	------------------------------------------------------------------------------------------------------

