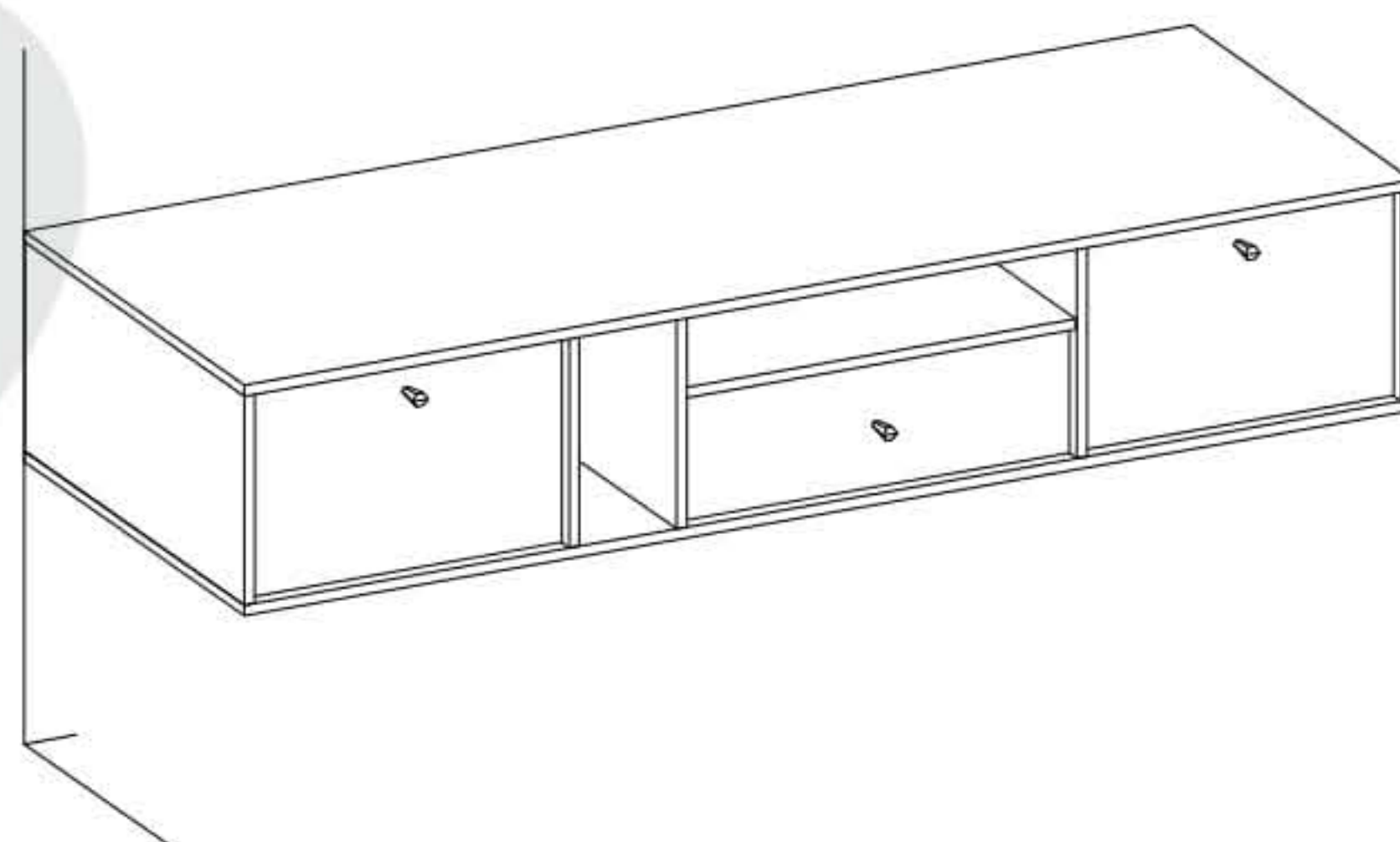
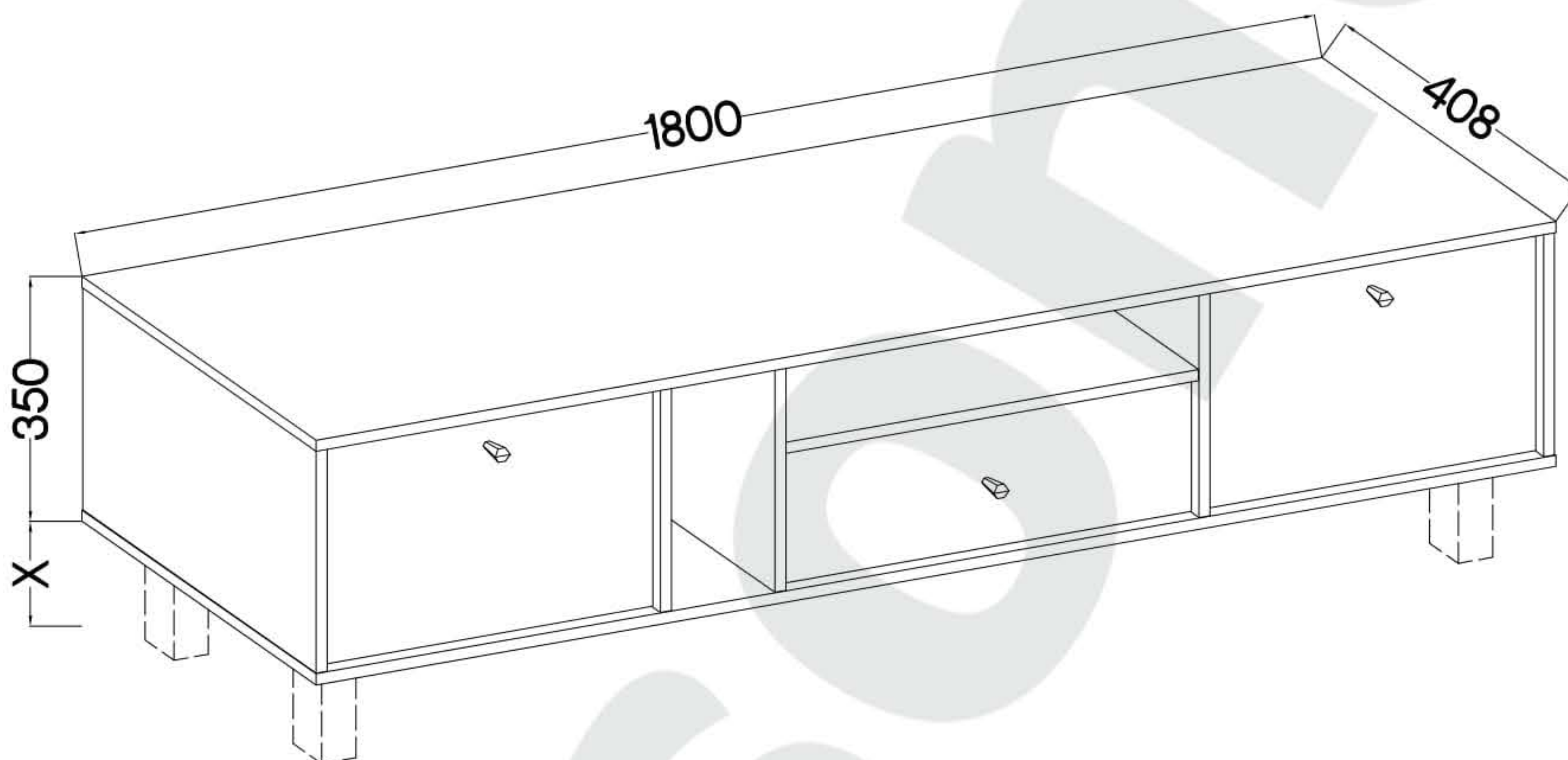
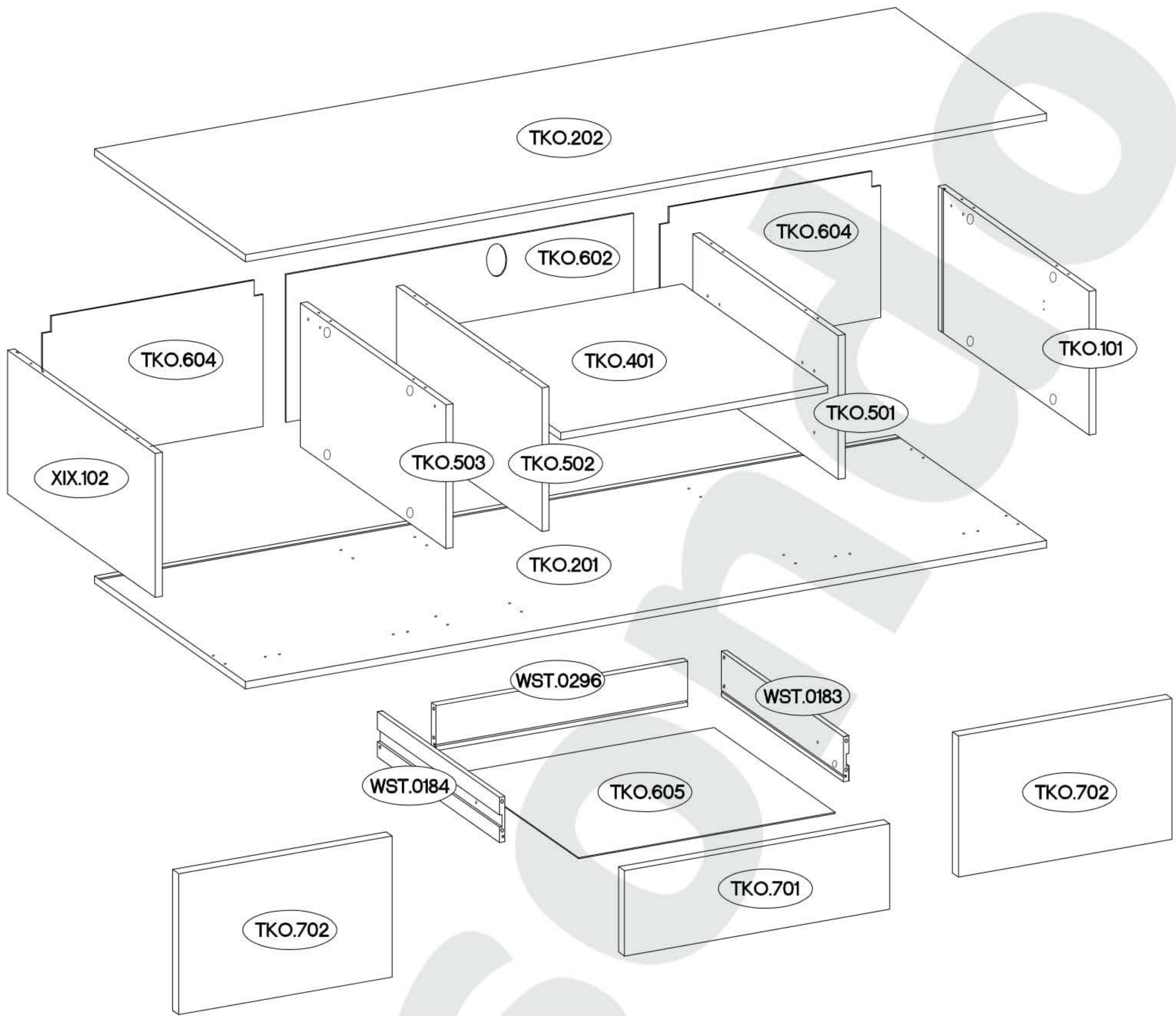


TYP 313

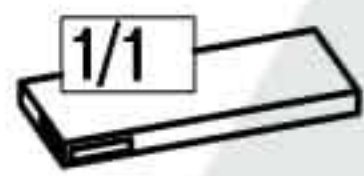


<p>†8x30mm</p> <p>A</p>	<p>†6x42mm</p> <p>B2</p>										
28	2										
<p>†15/12mm</p> <p>C</p>	<p>†12/10mm</p> <p>C5</p>	<p>L=20mm</p> <p>D2</p>	<p>†20</p> <p>E11</p>	<p>†35/16mm</p> <p>HG2</p>	<p>27/310mm</p> <p>I4</p>	<p>J12</p>	<p>L</p> <p>K25</p>	<p>R</p> <p>K26</p>	<p>L=270mm 80 N</p> <p>BARKOWY</p> <p>K33</p>		
24	2	26	18	4	1	2	2	2	2		
<p>L</p>	<p>L2</p>	<p>†6,3x13mm</p> <p>M2</p>	<p>6,5/68mm</p> <p>O4</p>	<p>†10x50mm</p> <p>O7</p>	<p>†3,5x13mm</p> <p>P5</p>	<p>†3,0x20mm</p> <p>P7</p>	<p>†4,0x30mm</p> <p>P8</p>	<p>S</p>	<p>M4x22mm</p> <p>U</p>	<p>M4x9mm</p> <p>U1</p>	
16	6	4	4	4	8	9	8	3	3	2	

ISM-TKO-001



	Ersatzteil Nummer	Dimension
	TKO.101	318x407x16
	TKO.102	318x407x16
	TKO.501	318x393x16
	TKO.502	318x393x16
	TKO.503	318x393x16
	TKO.201	1800x408x16
	TKO.202	1800x408x16
	TKO.401	600x392x16
	TKO.602	781x327x2,5
	TKO.604 x2	496x327x2,5
	TKO.605	577x327x2,5
	WST.0183	330x100x12
	WST.0184	330x100x12
	WST.0296	566x100x12
	TKO.701	596x189x16
	TKO.702 x2	312x480x16



TKO.202




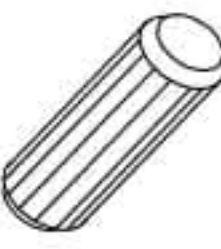
TKO.201

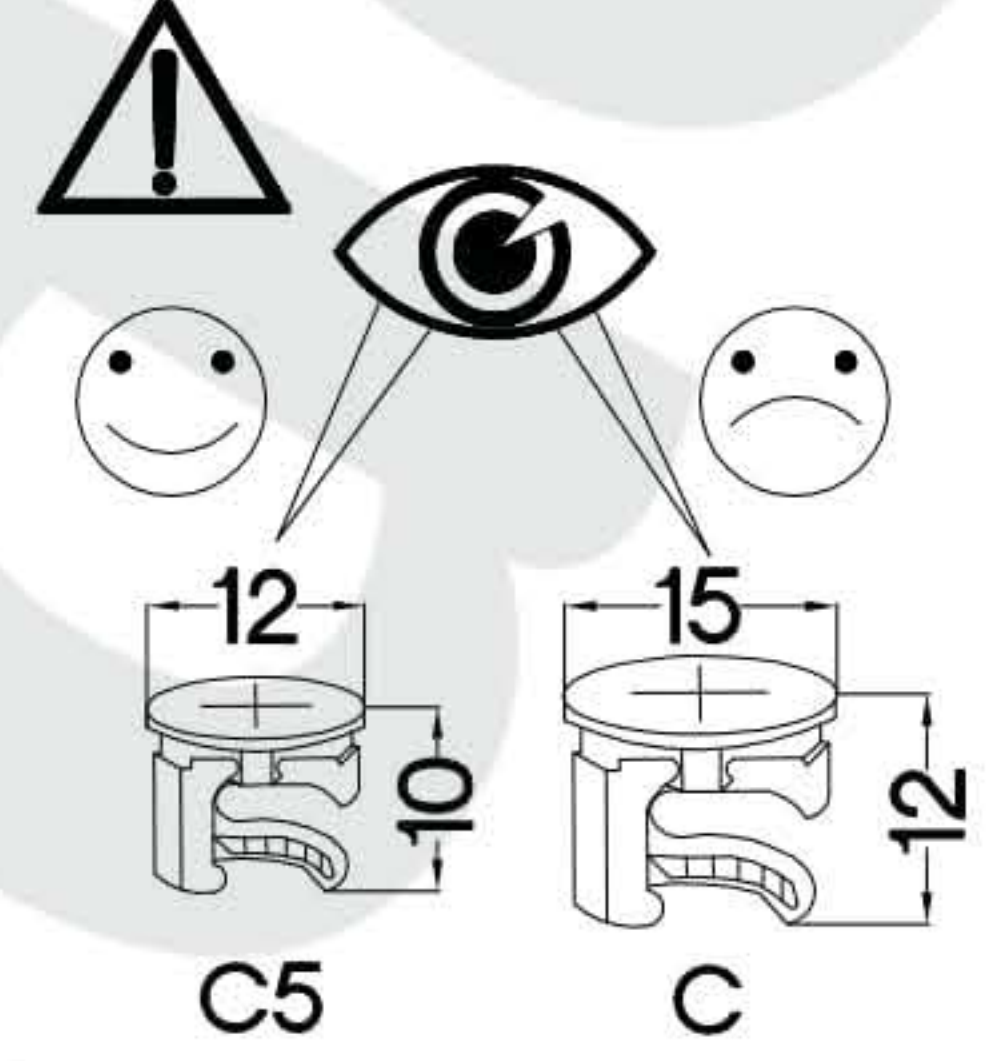
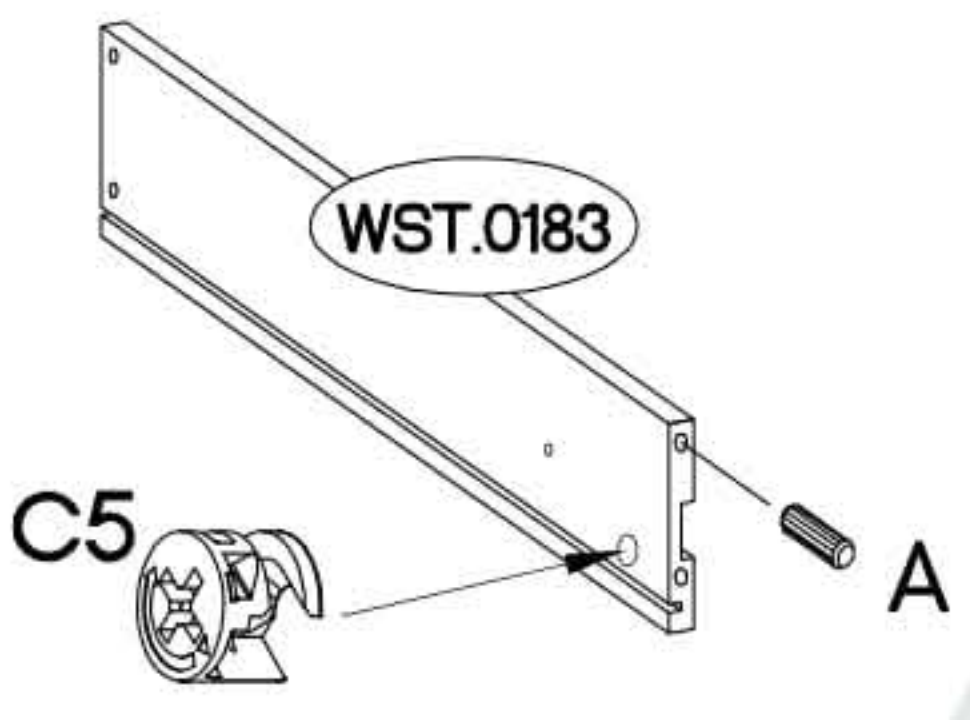
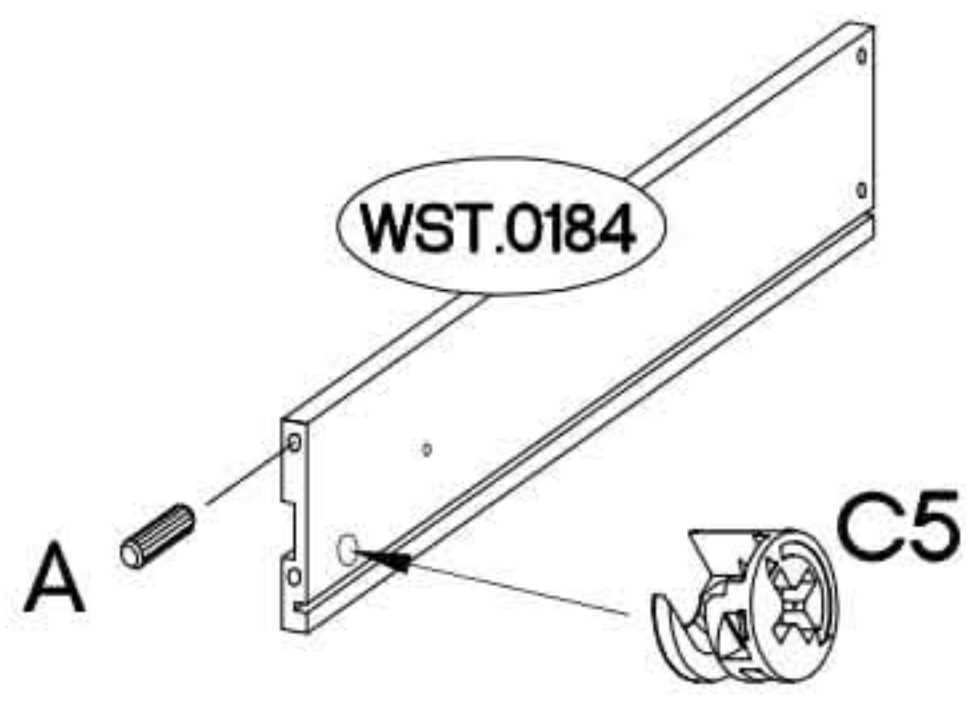
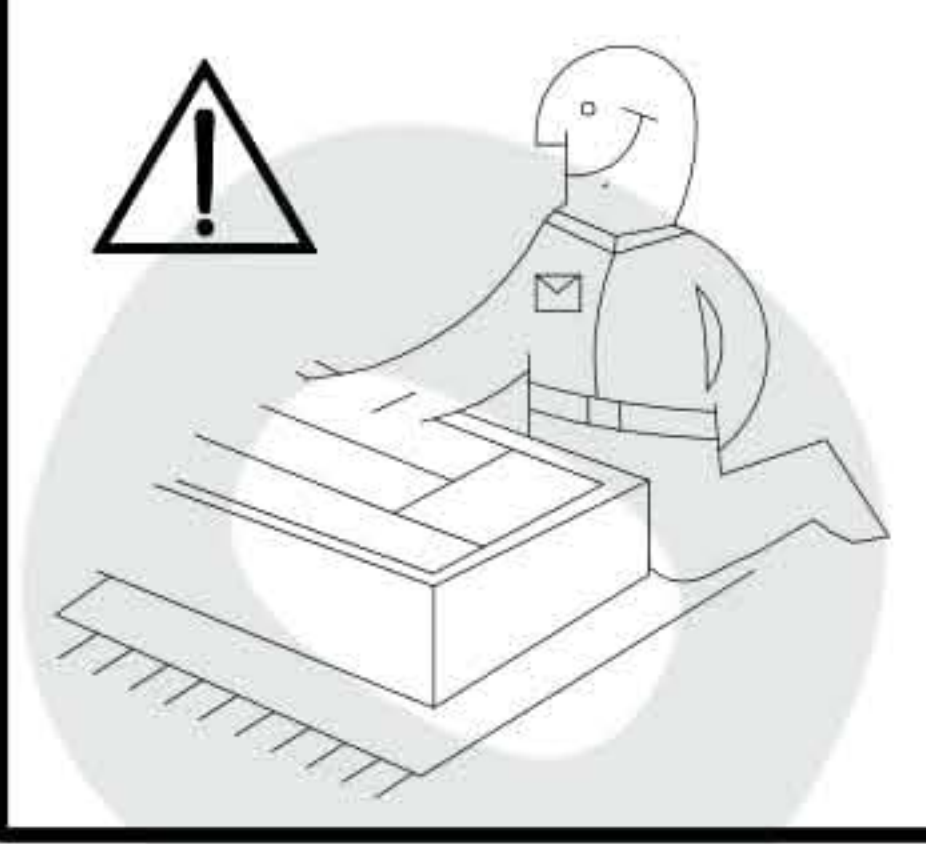
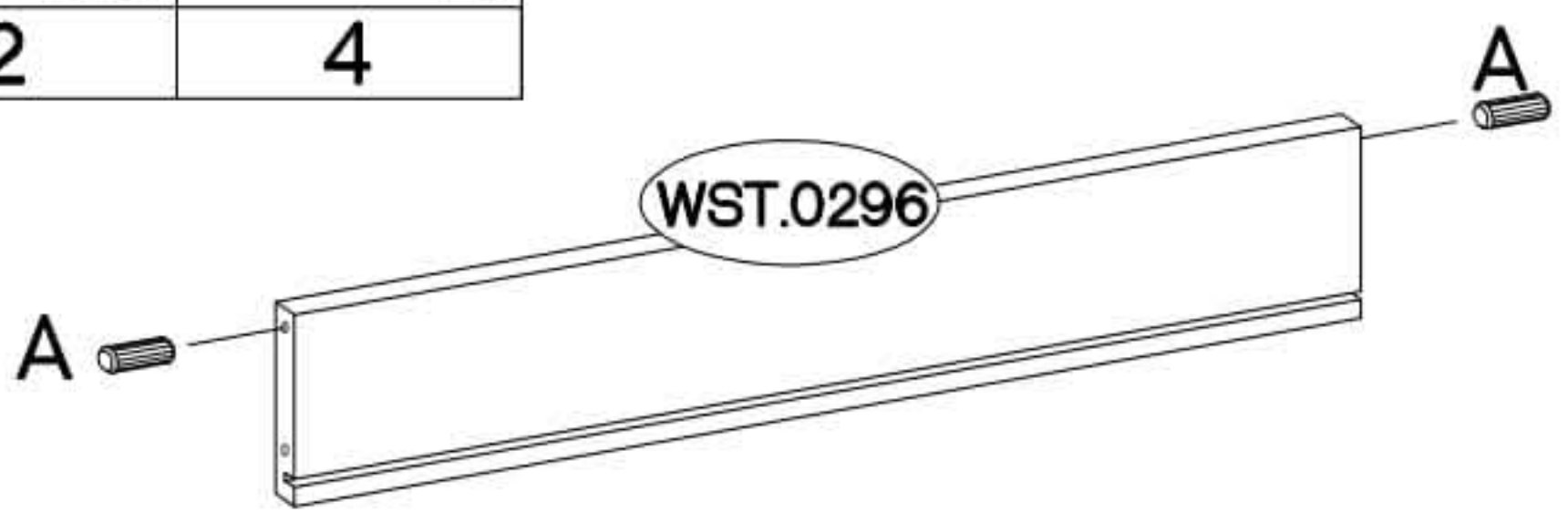
TKO.401



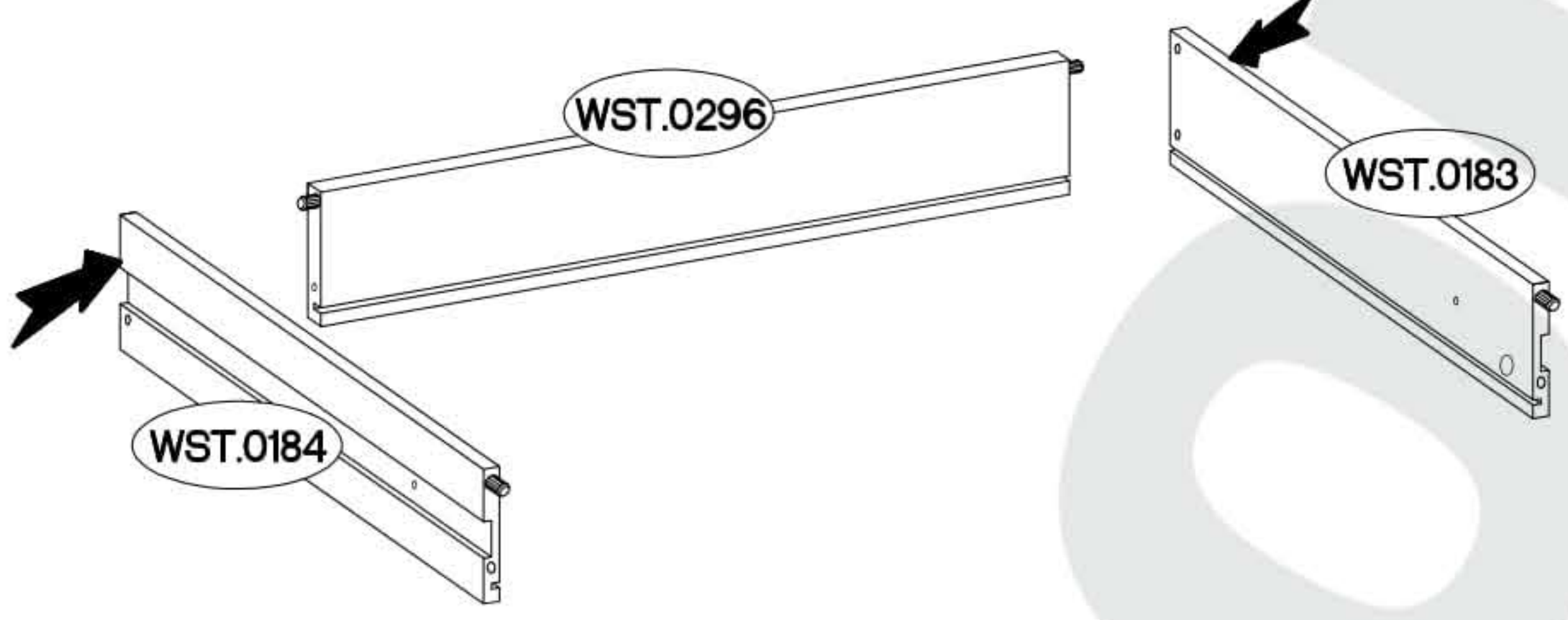
TKO.605


1

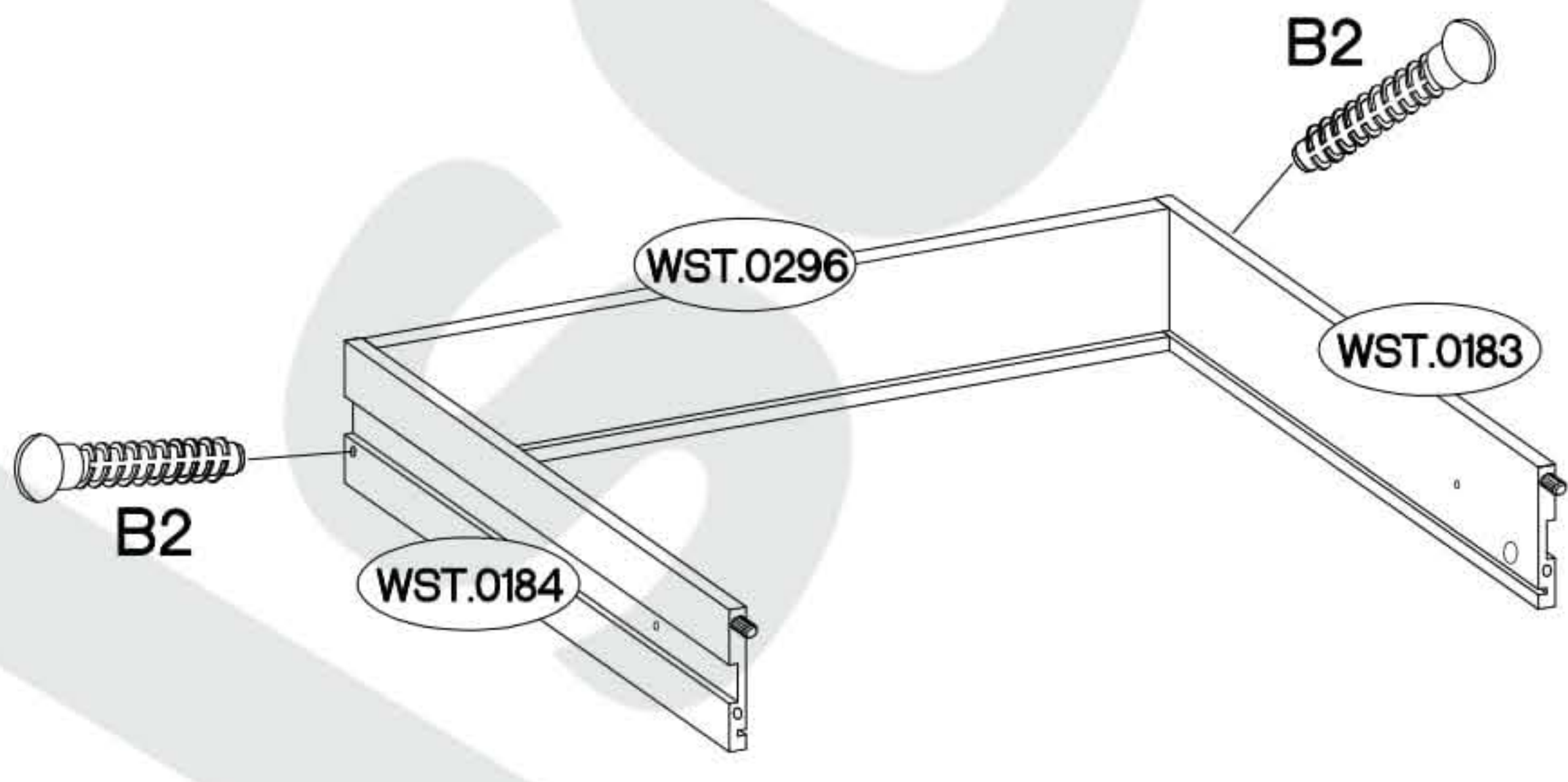
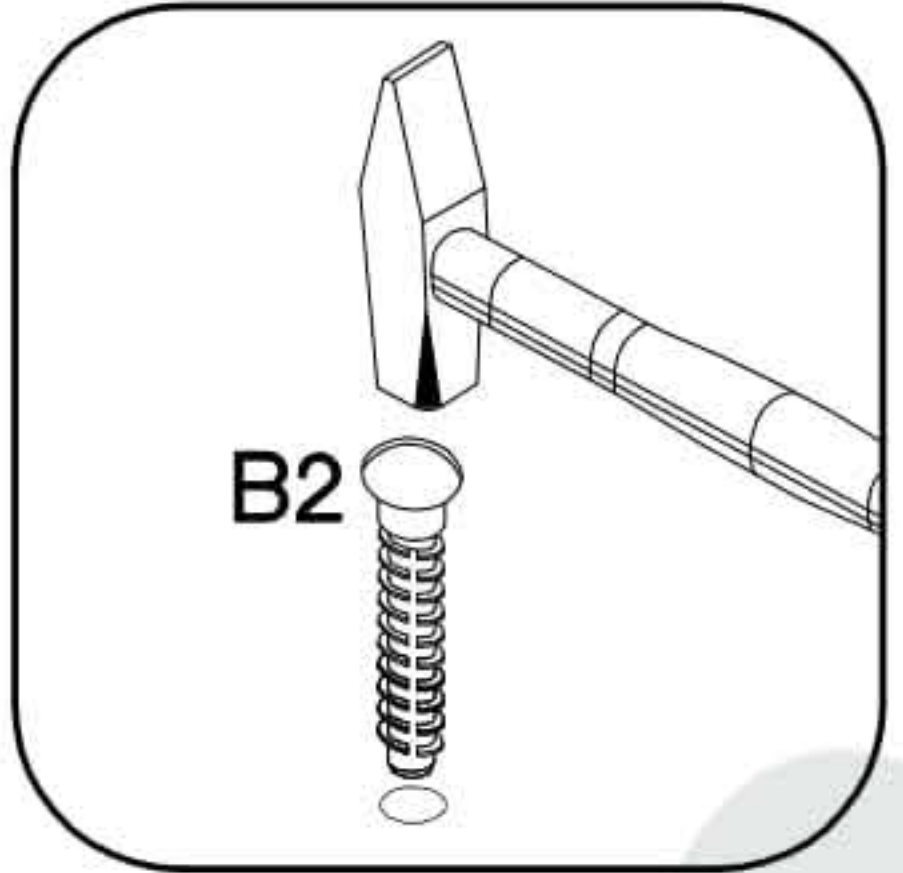
±12/10mm  C5 2	±8x30mm  A 4
---	---



2

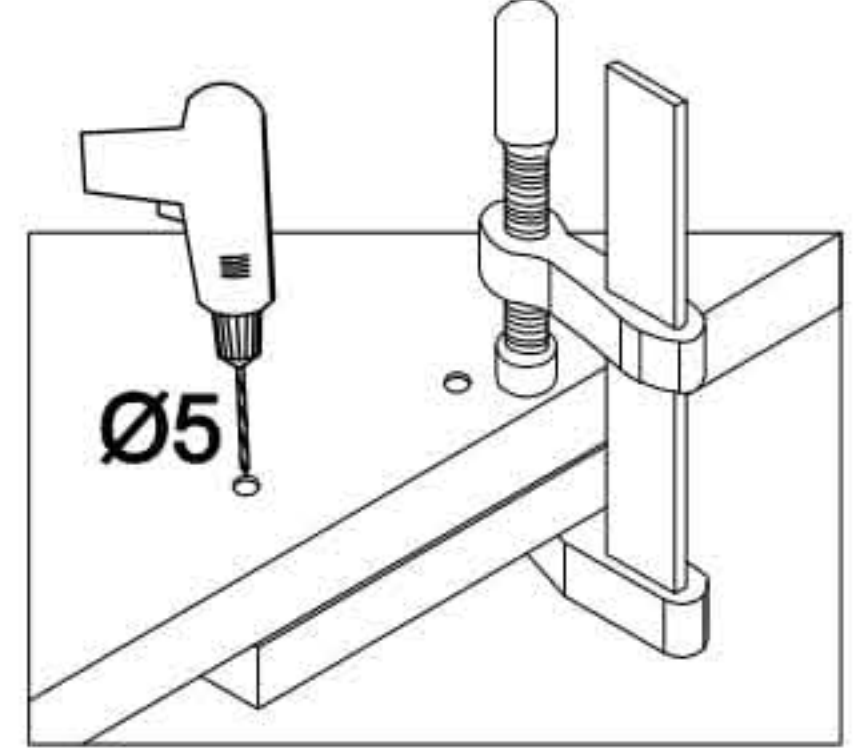
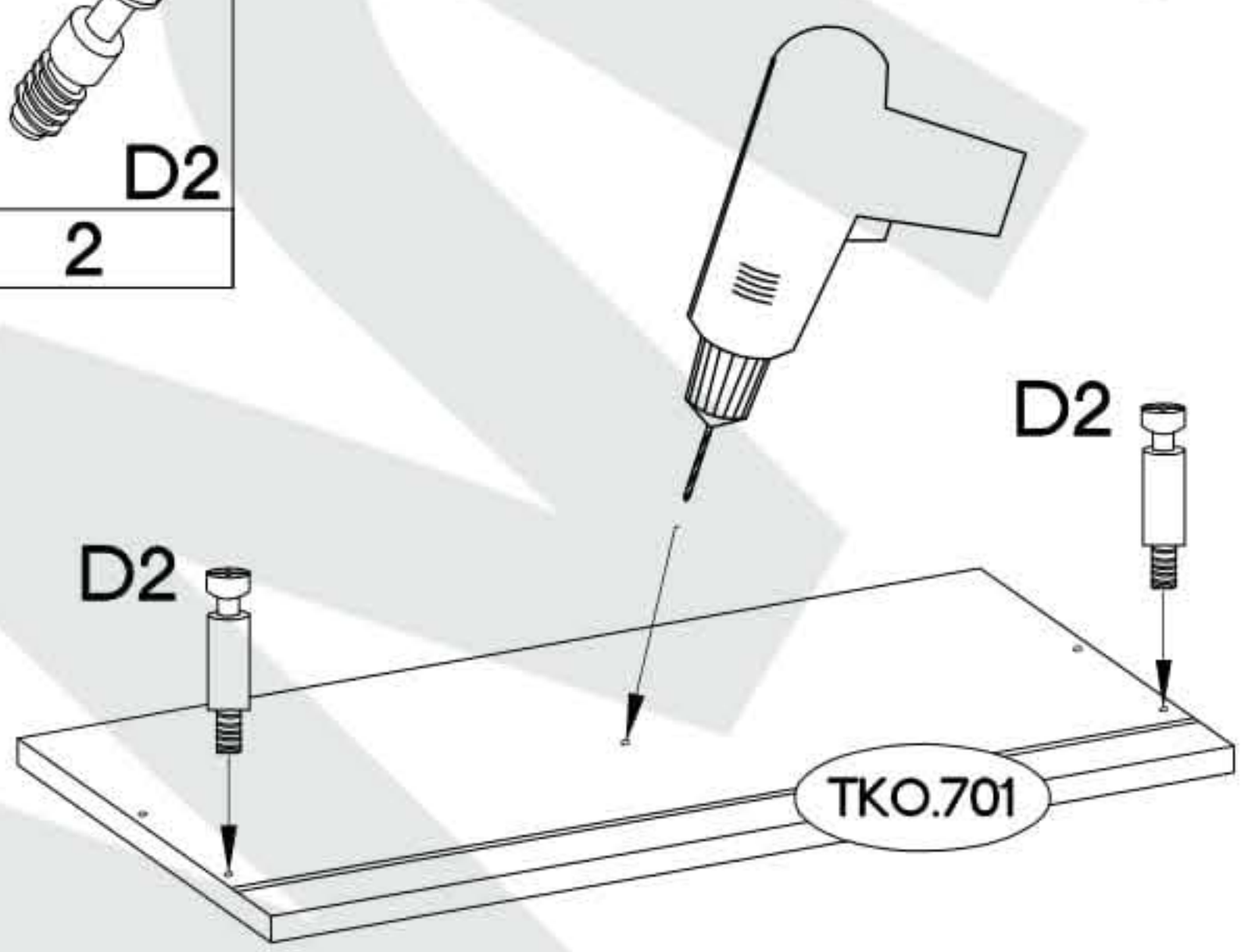


±6x42mm  B2 2

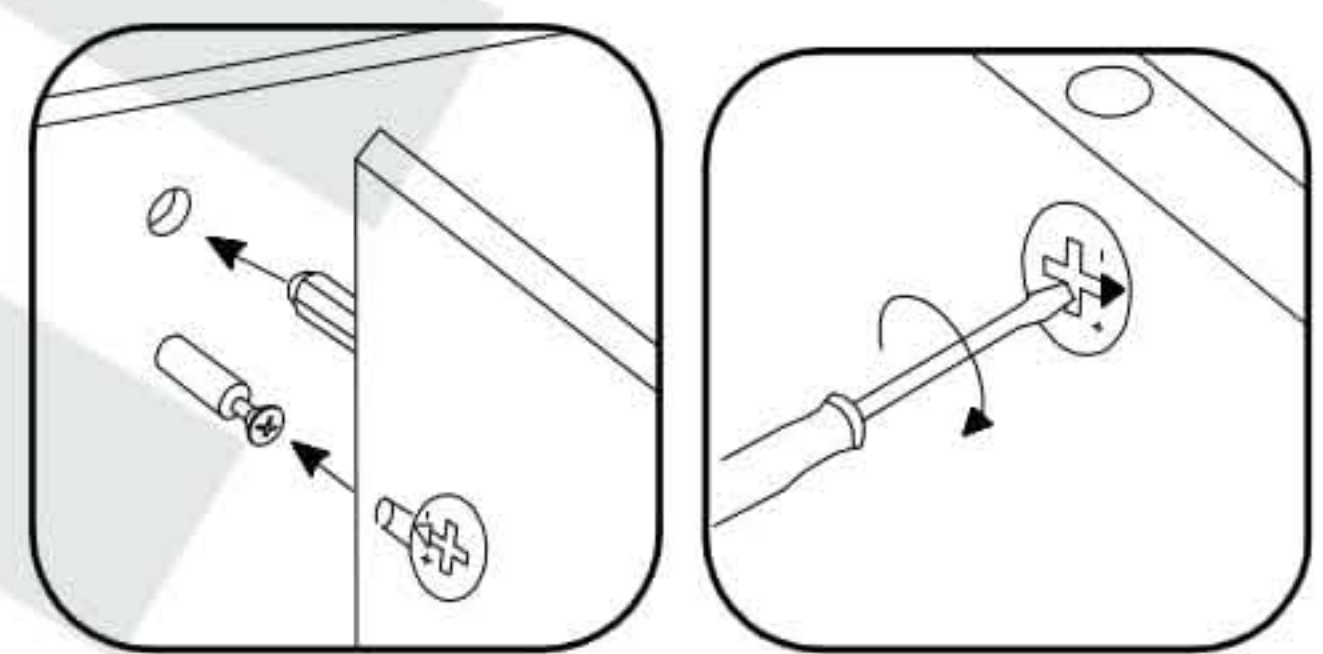
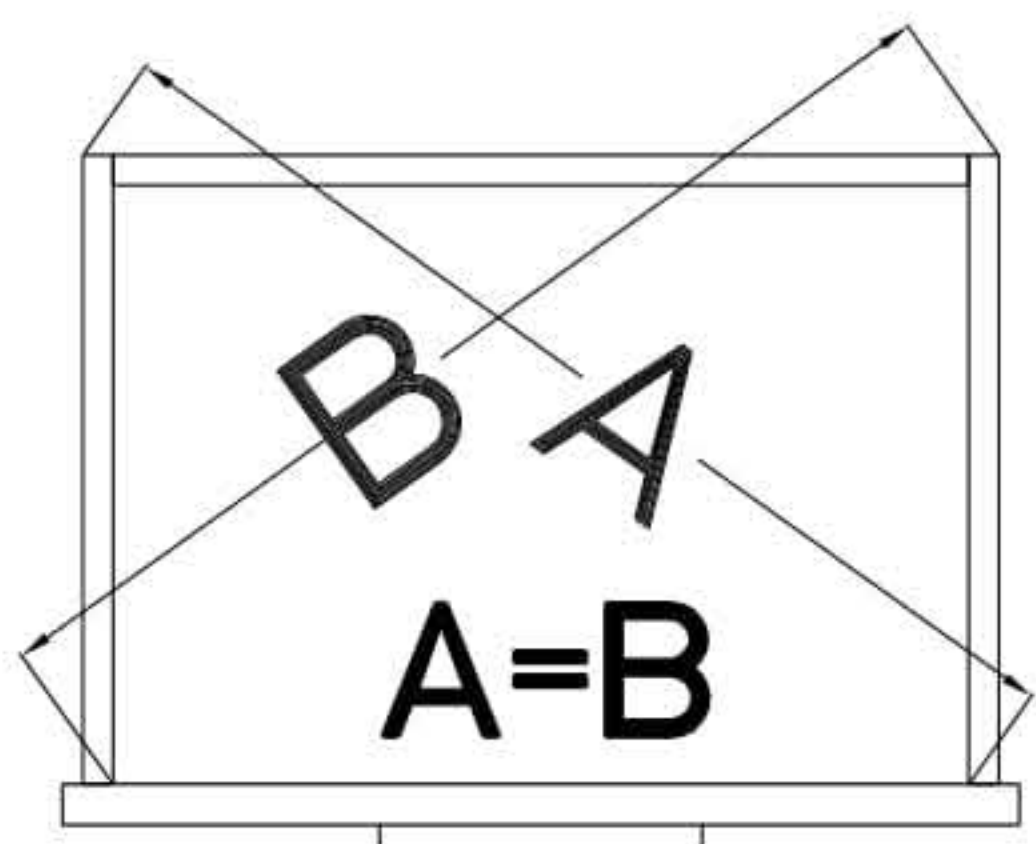
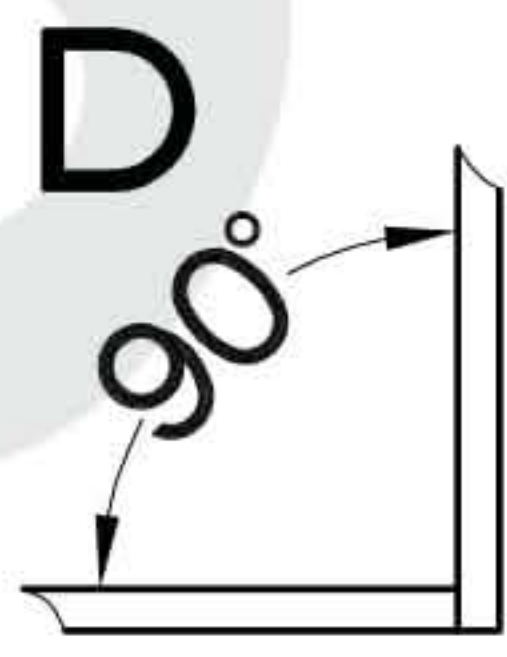
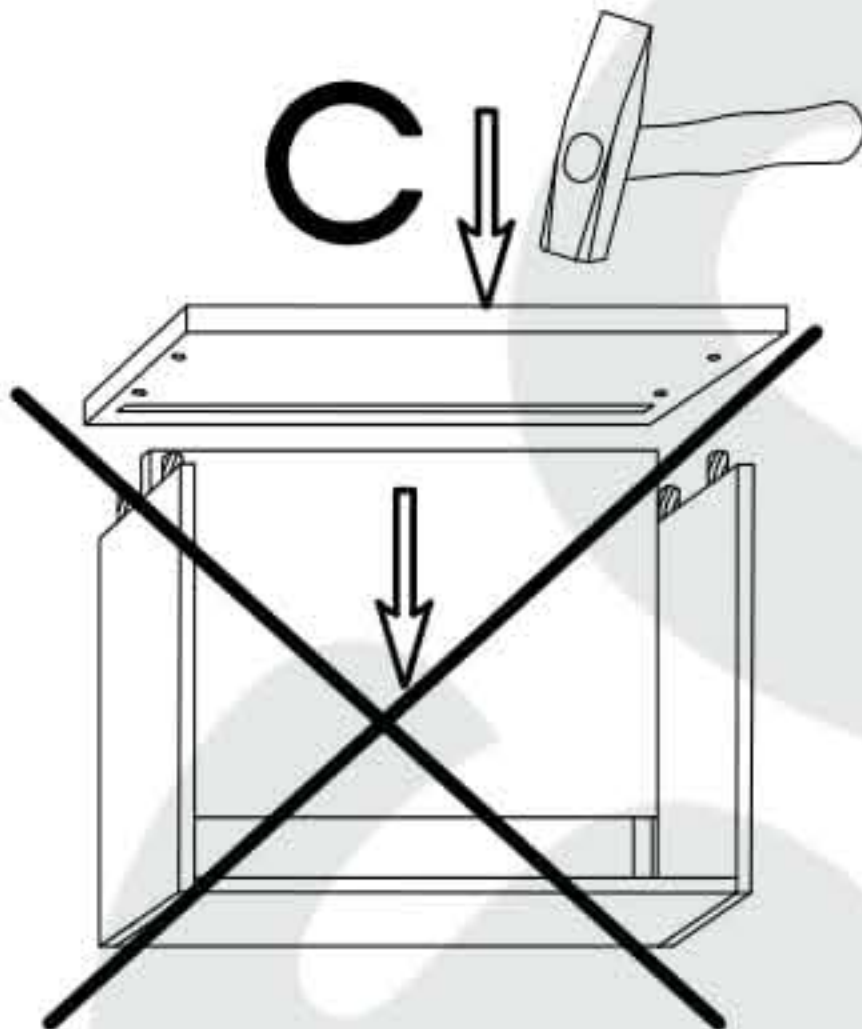
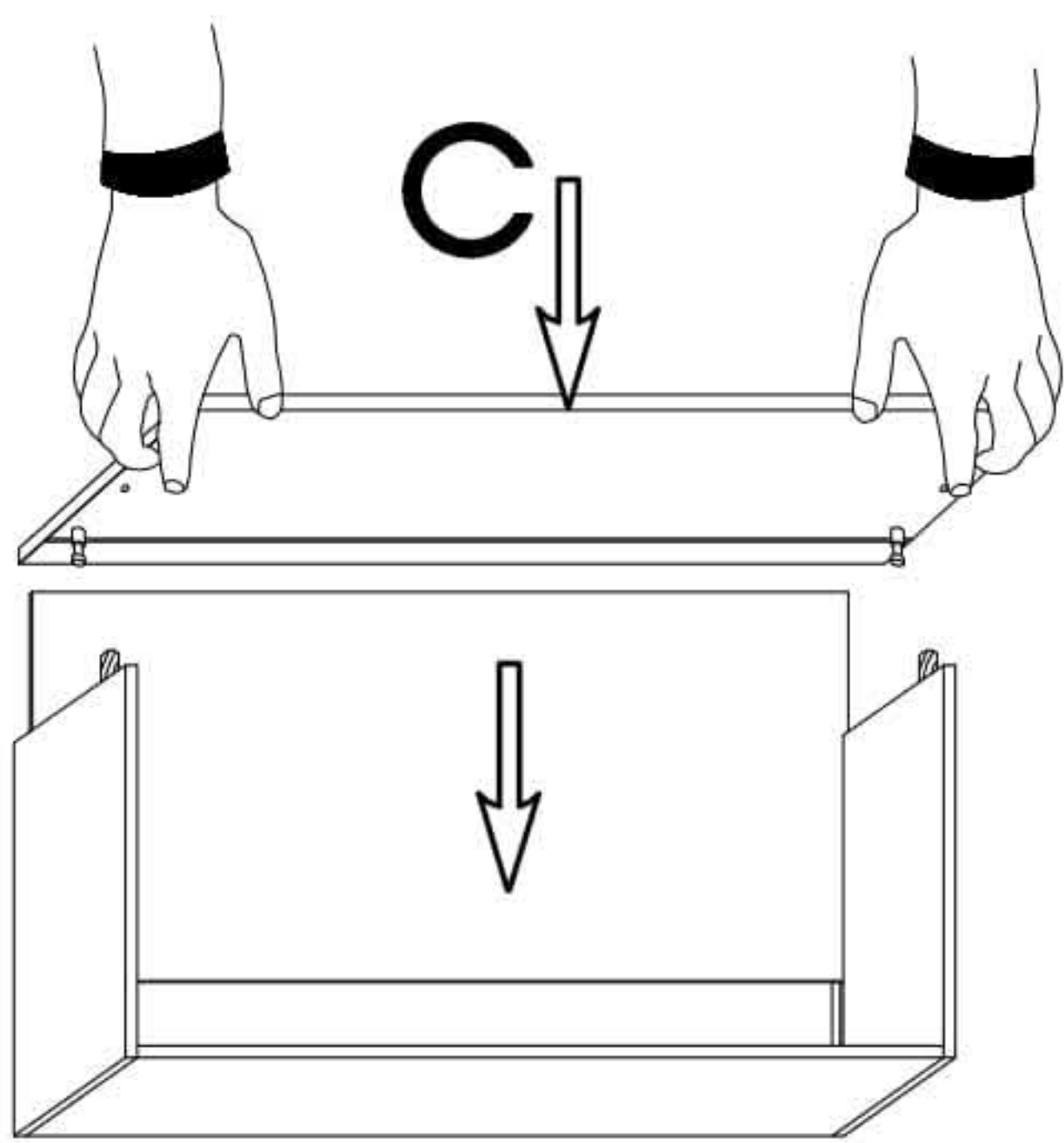
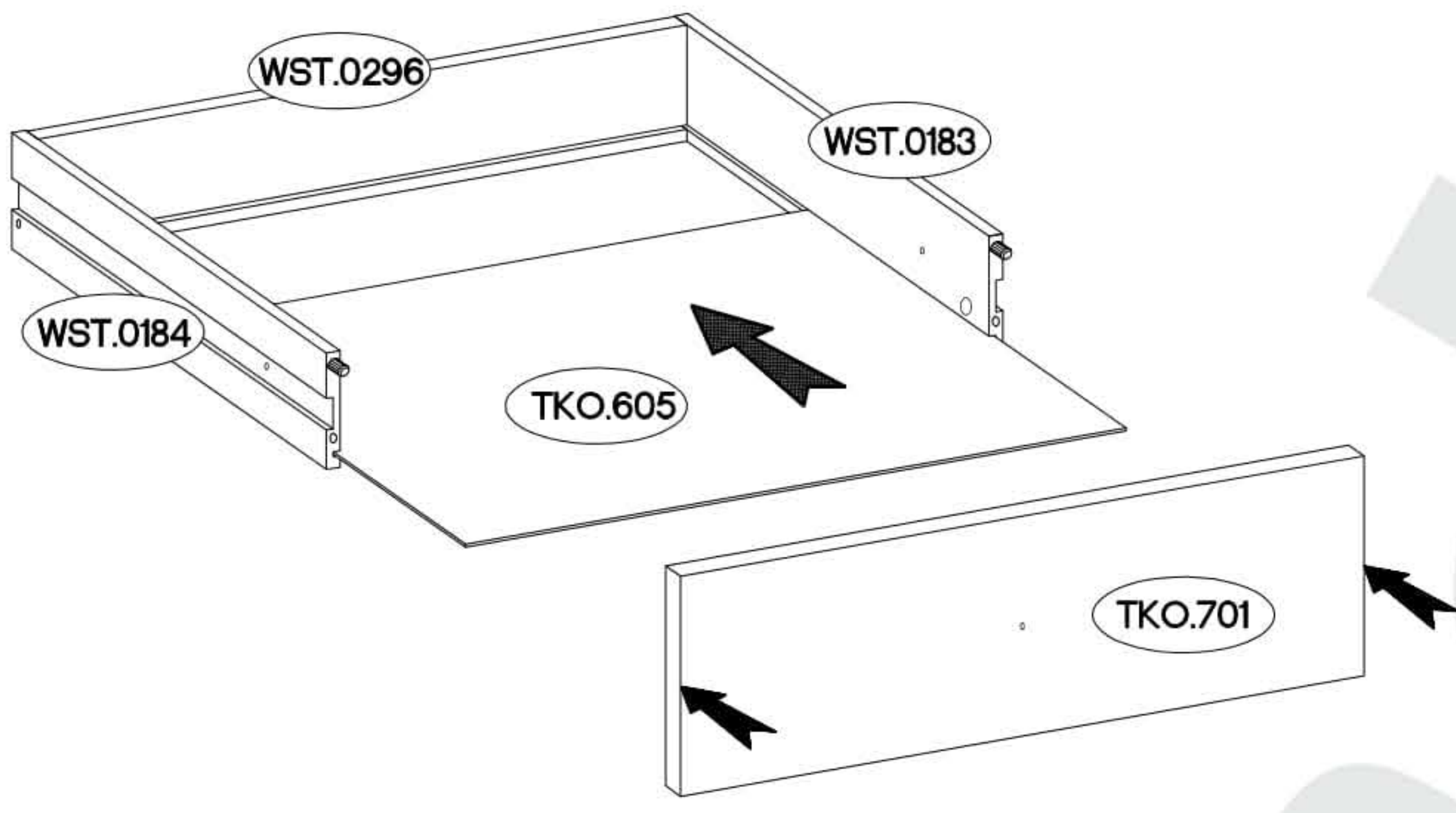
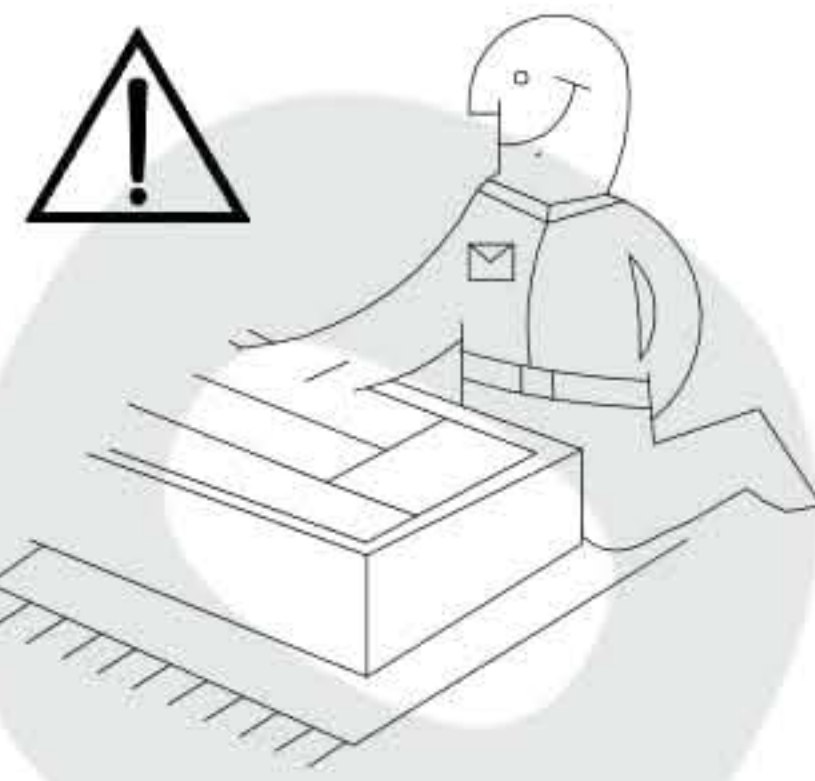


3

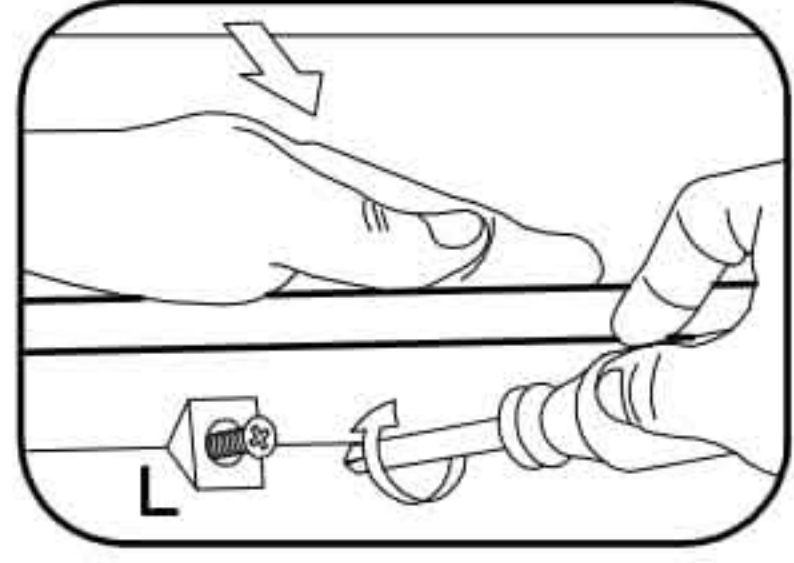
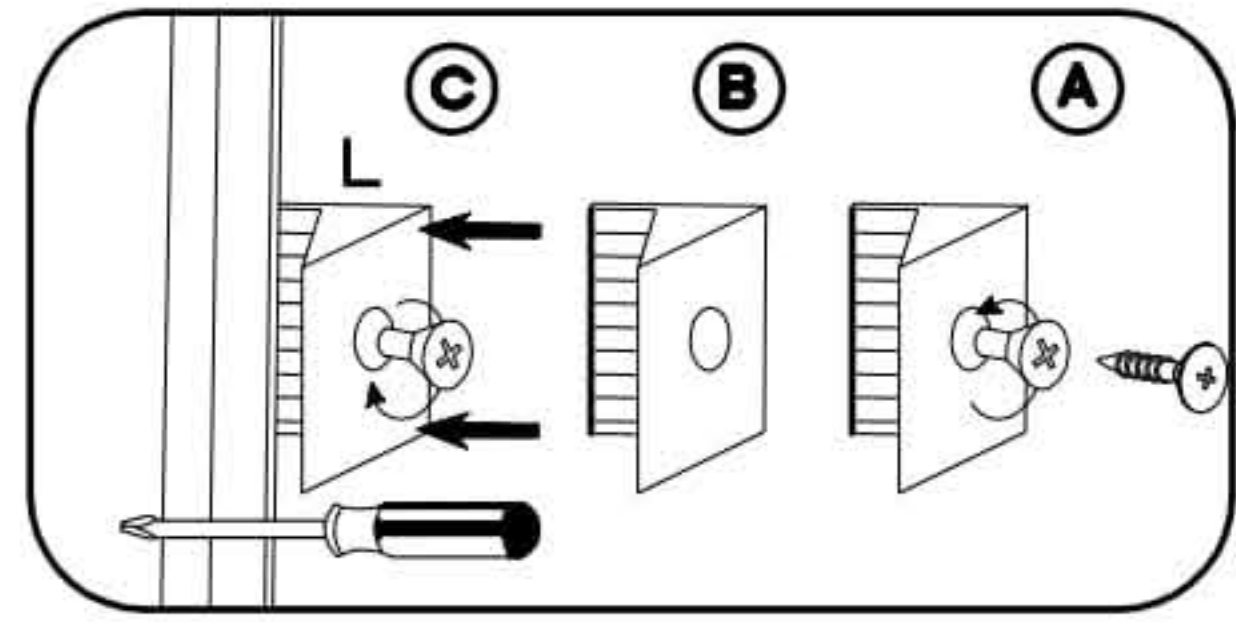
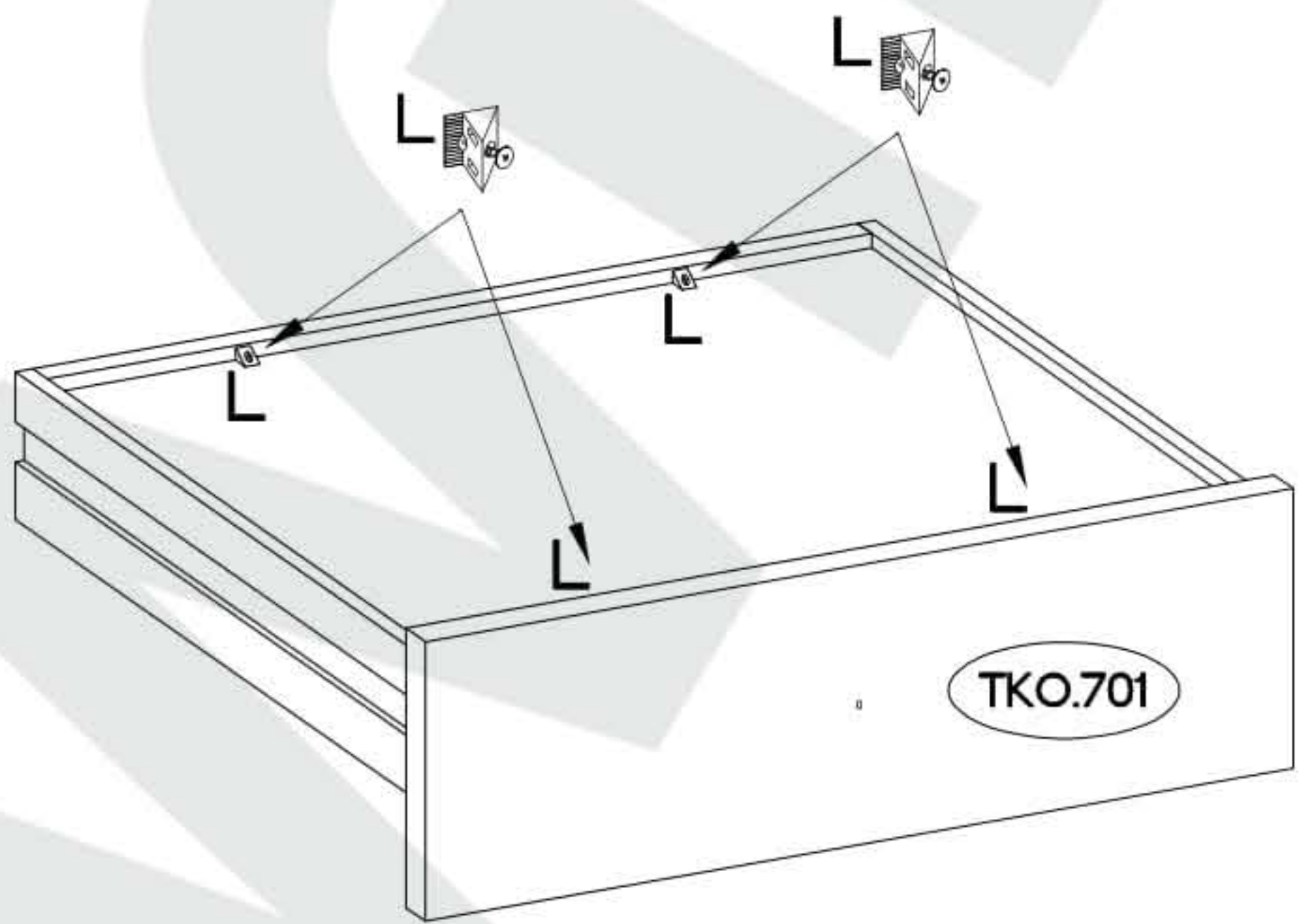
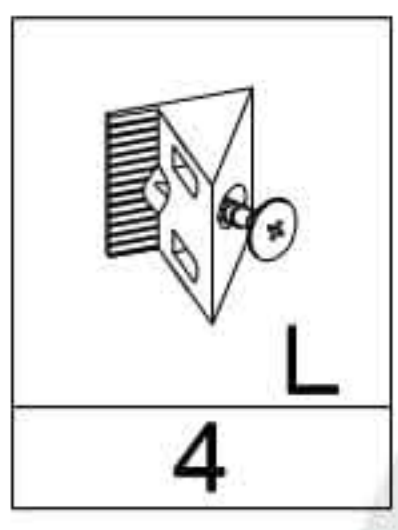
L=20mm  D2 2
--

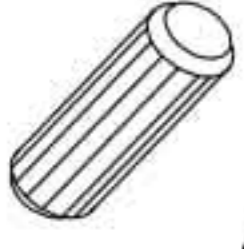









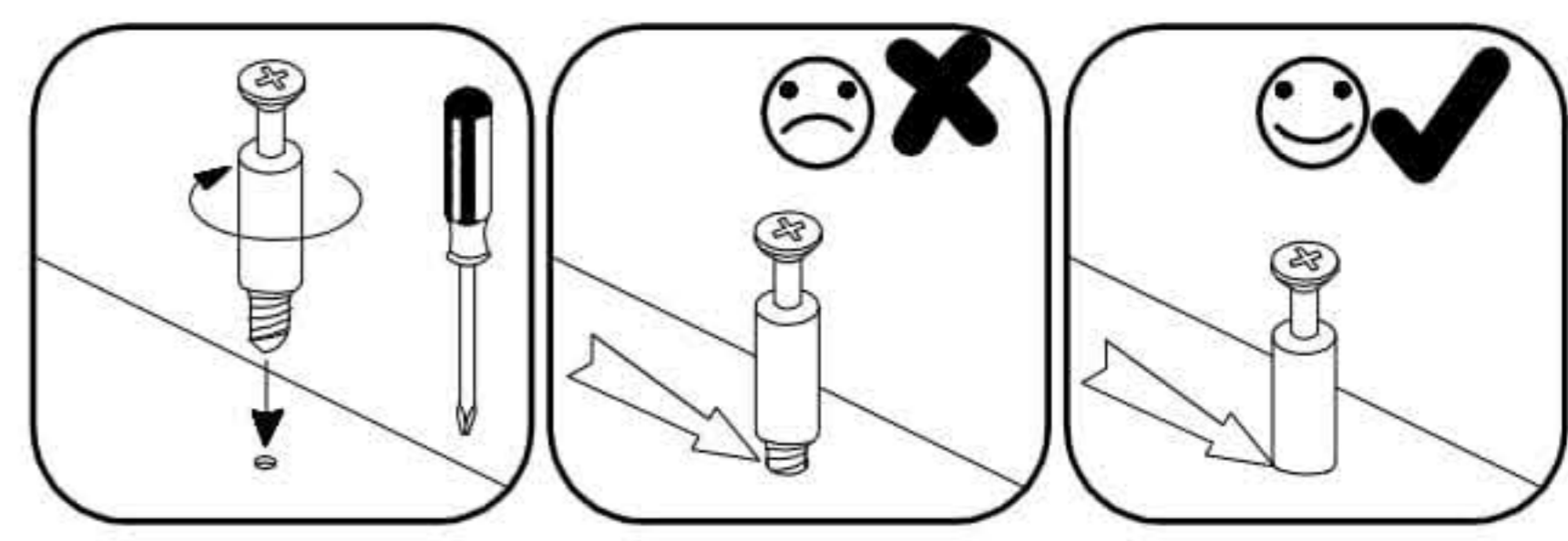
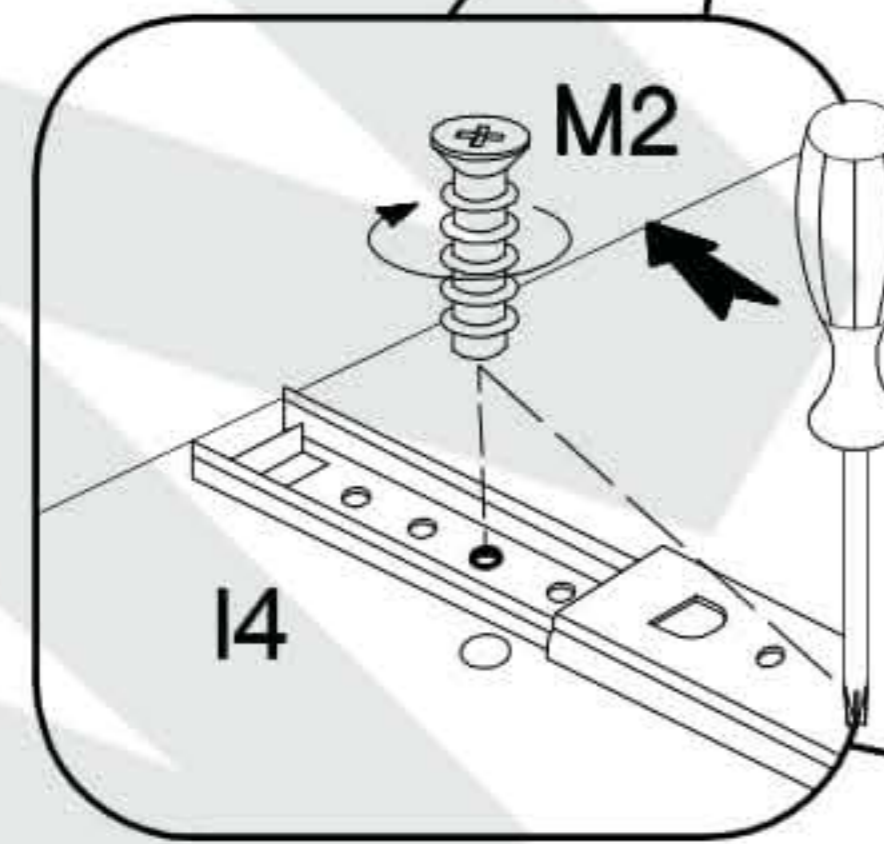
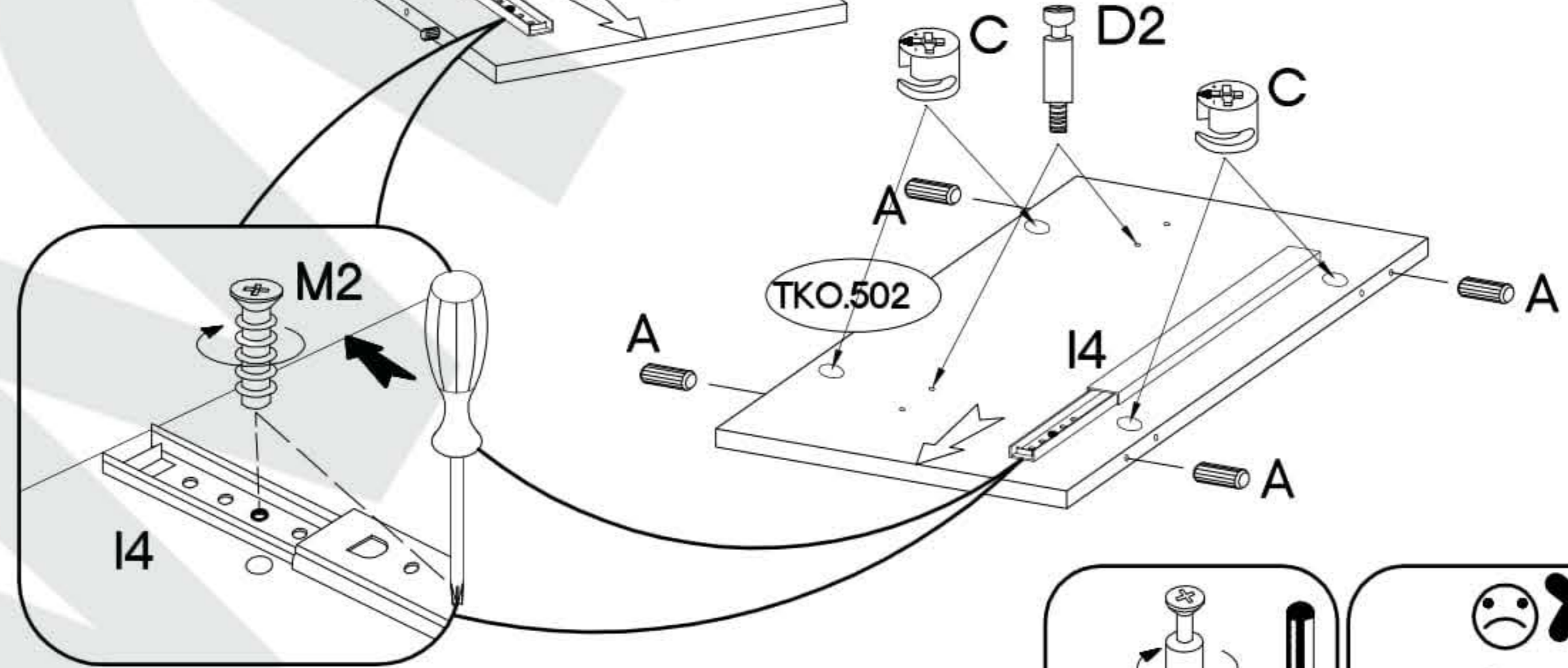
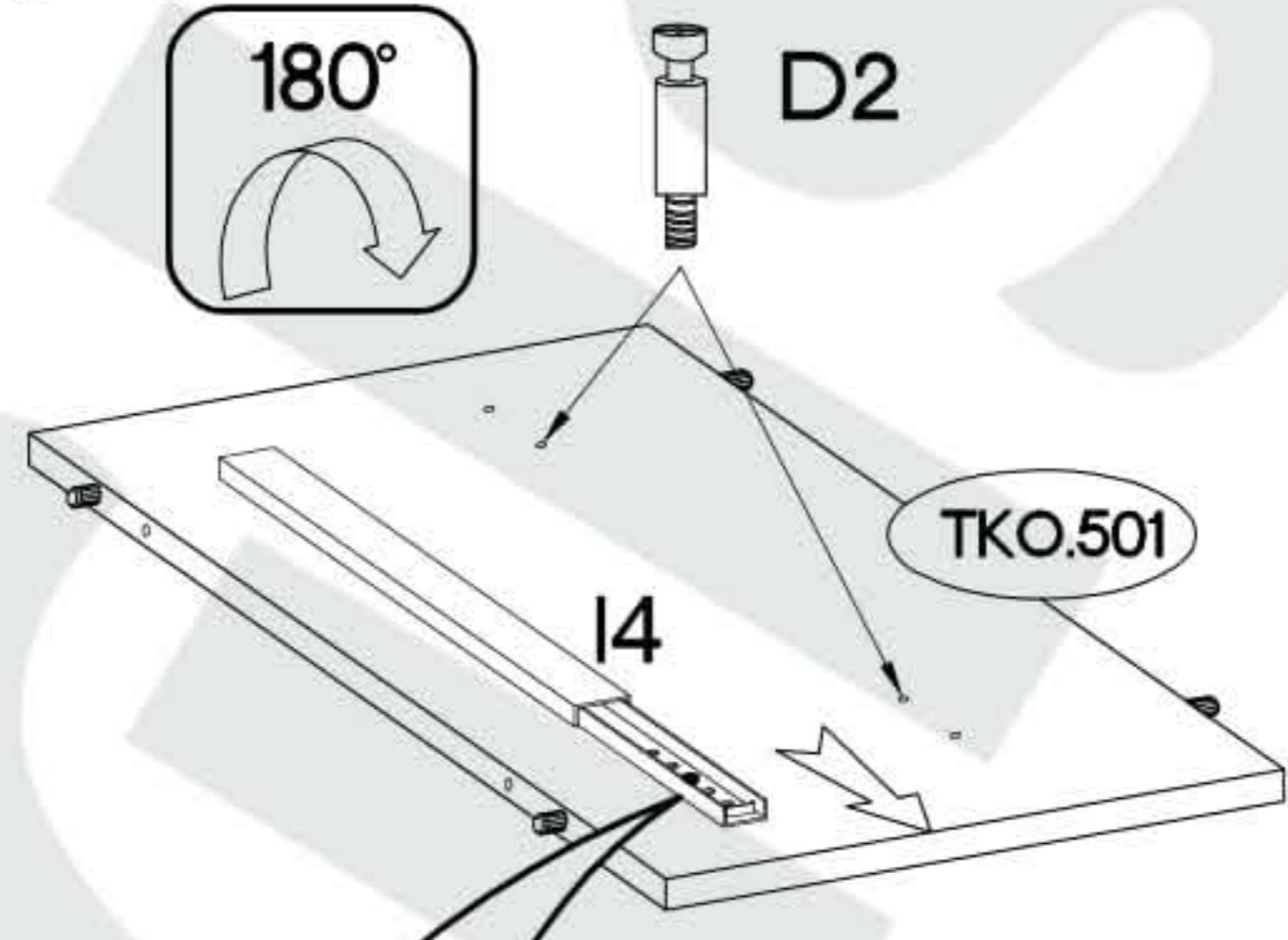
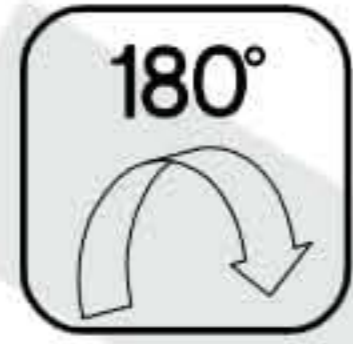
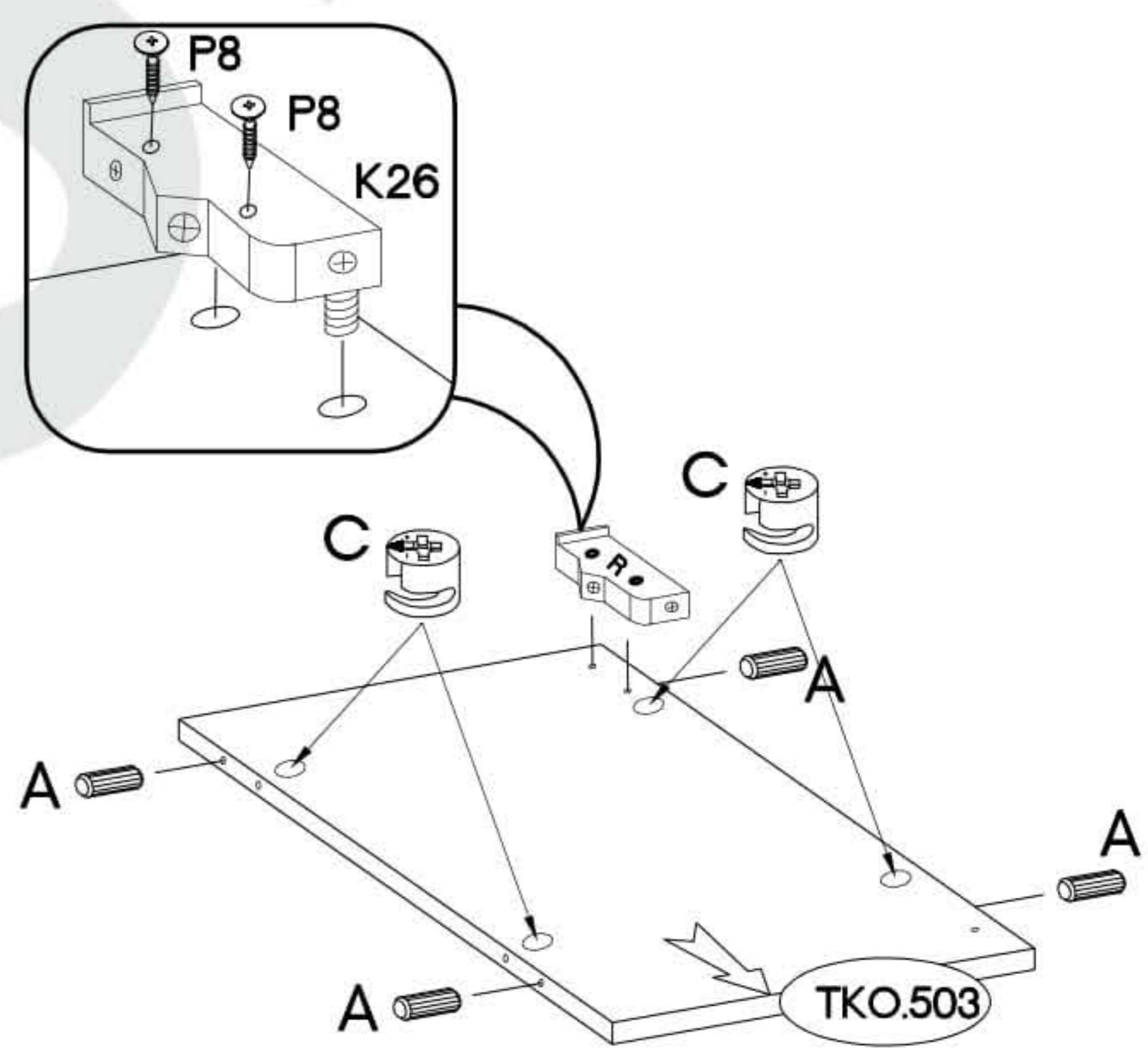
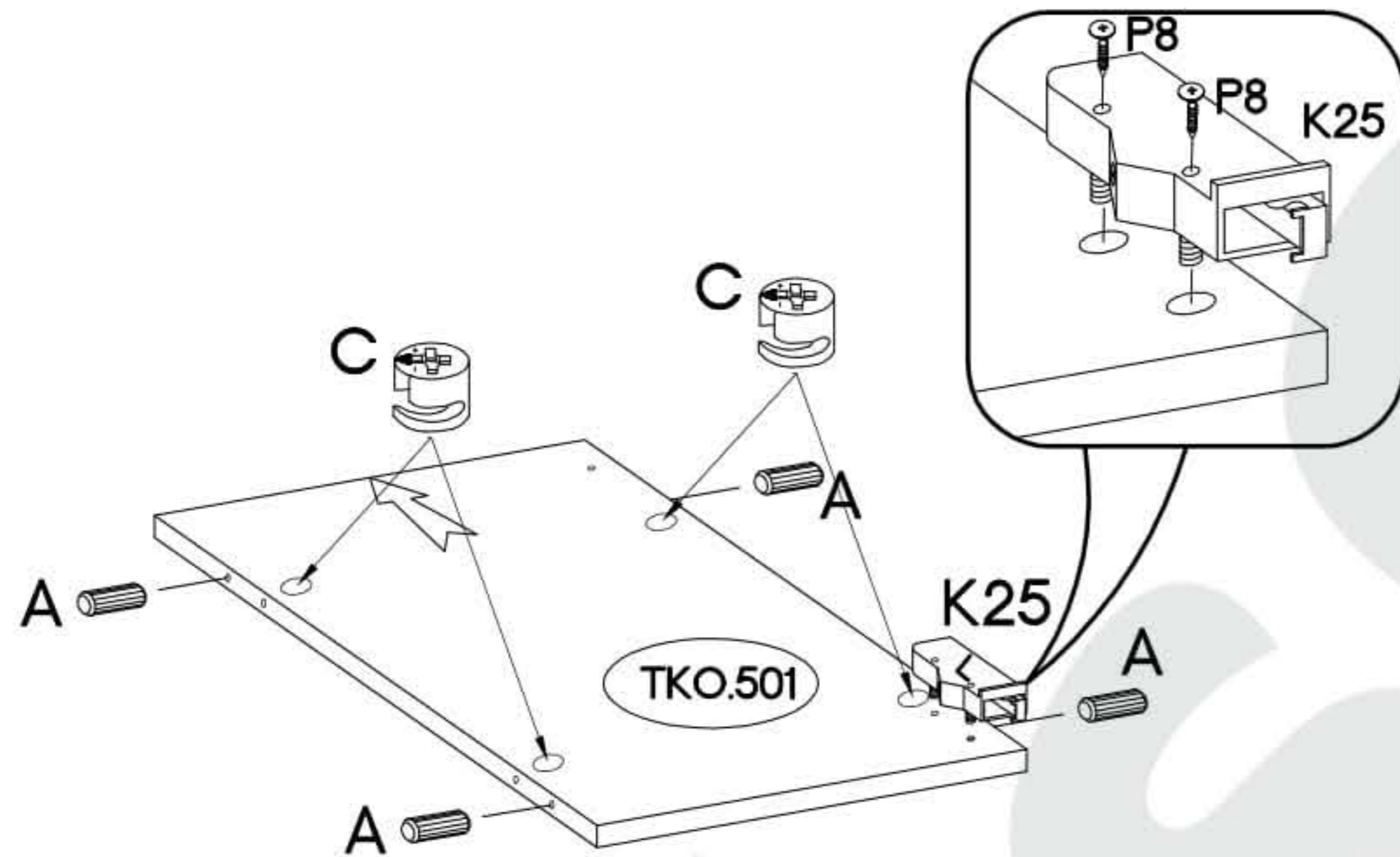
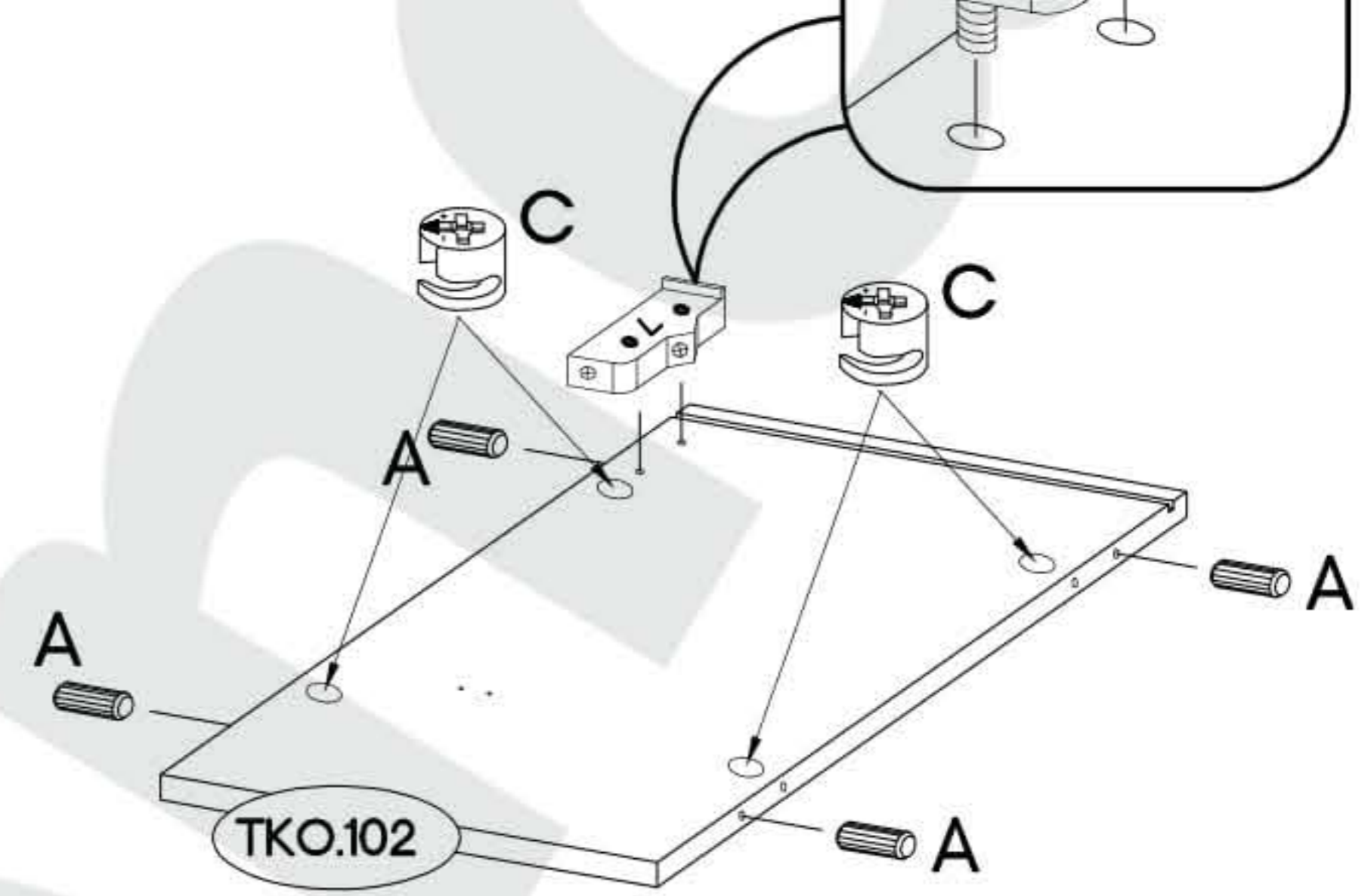
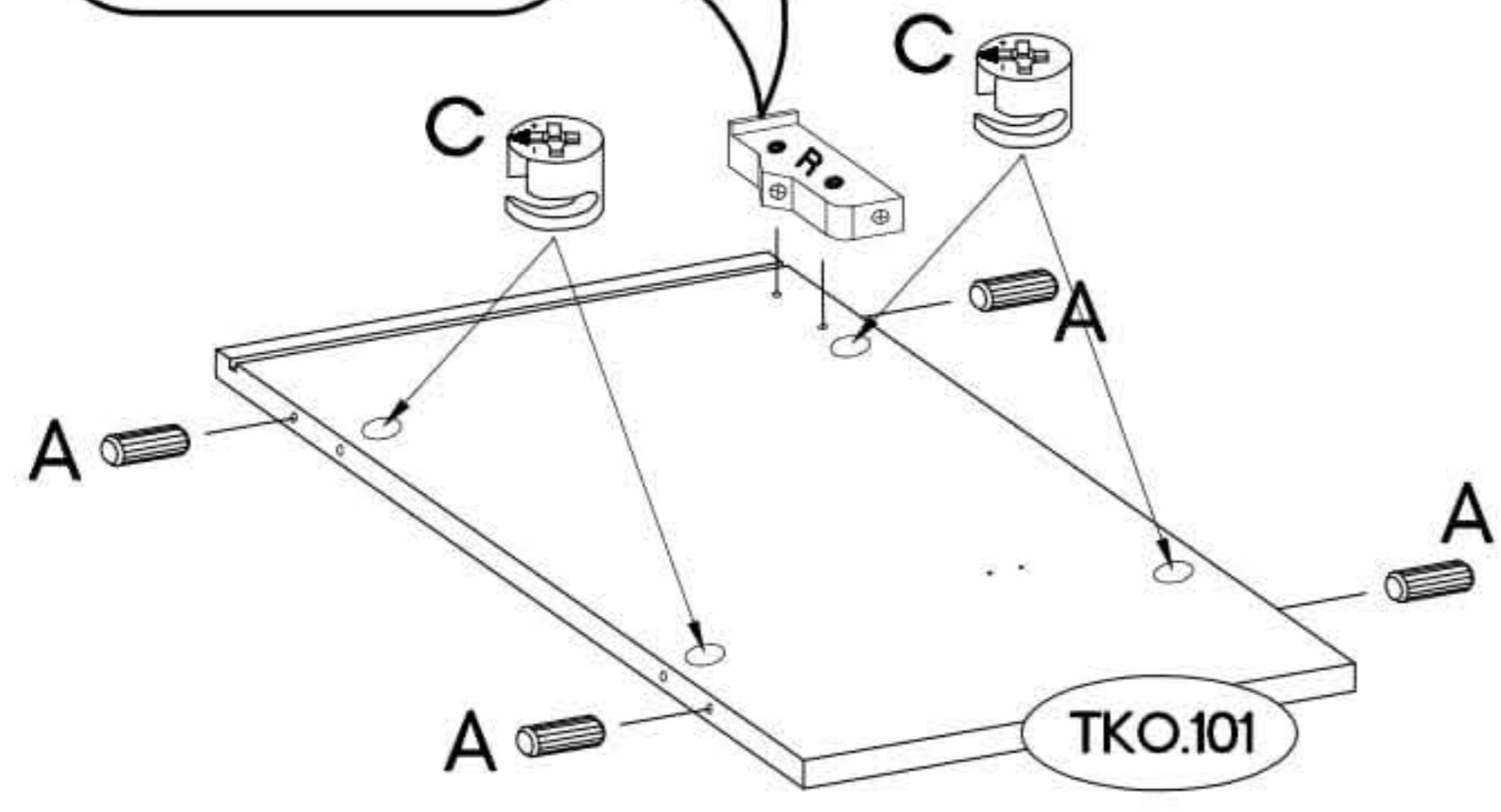
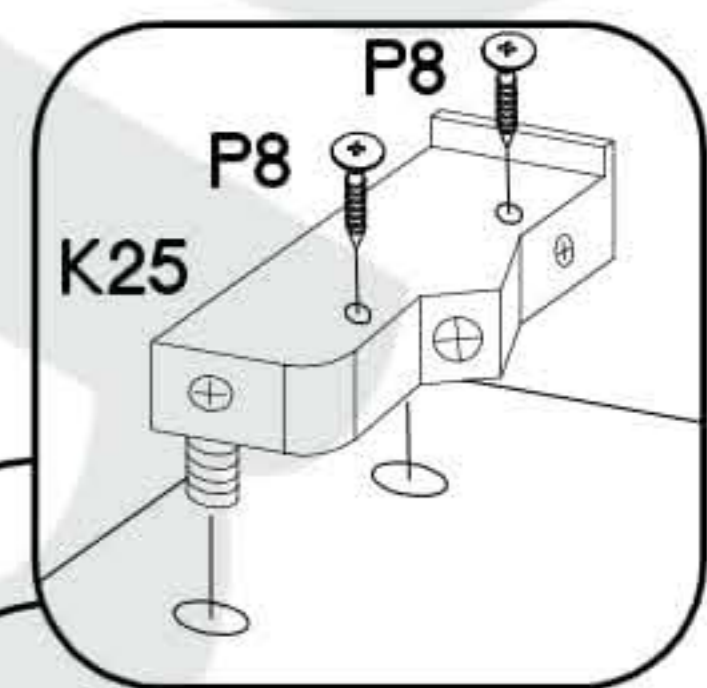
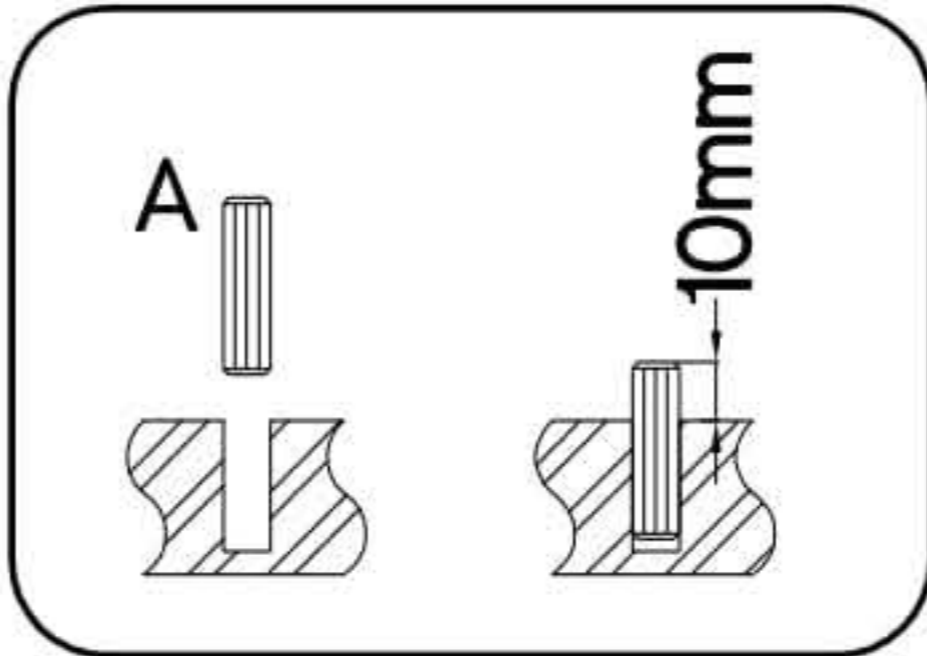
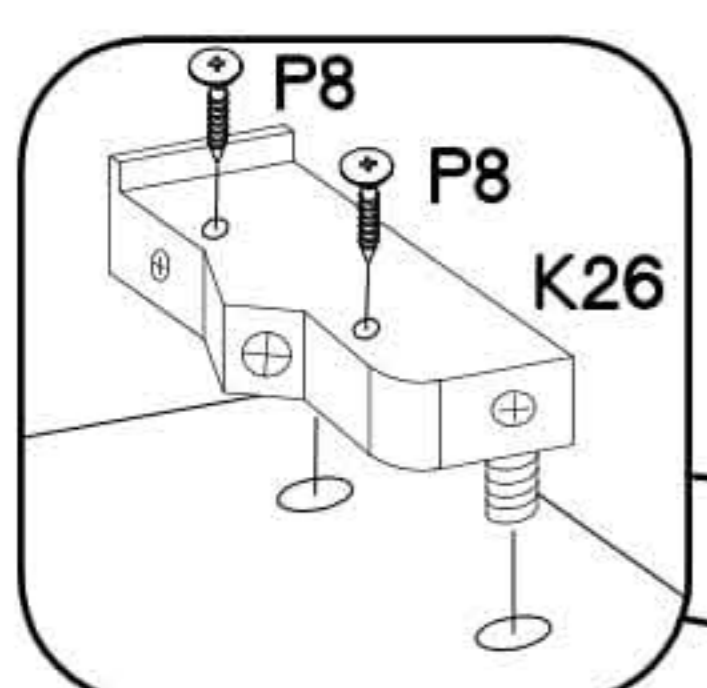
4






5

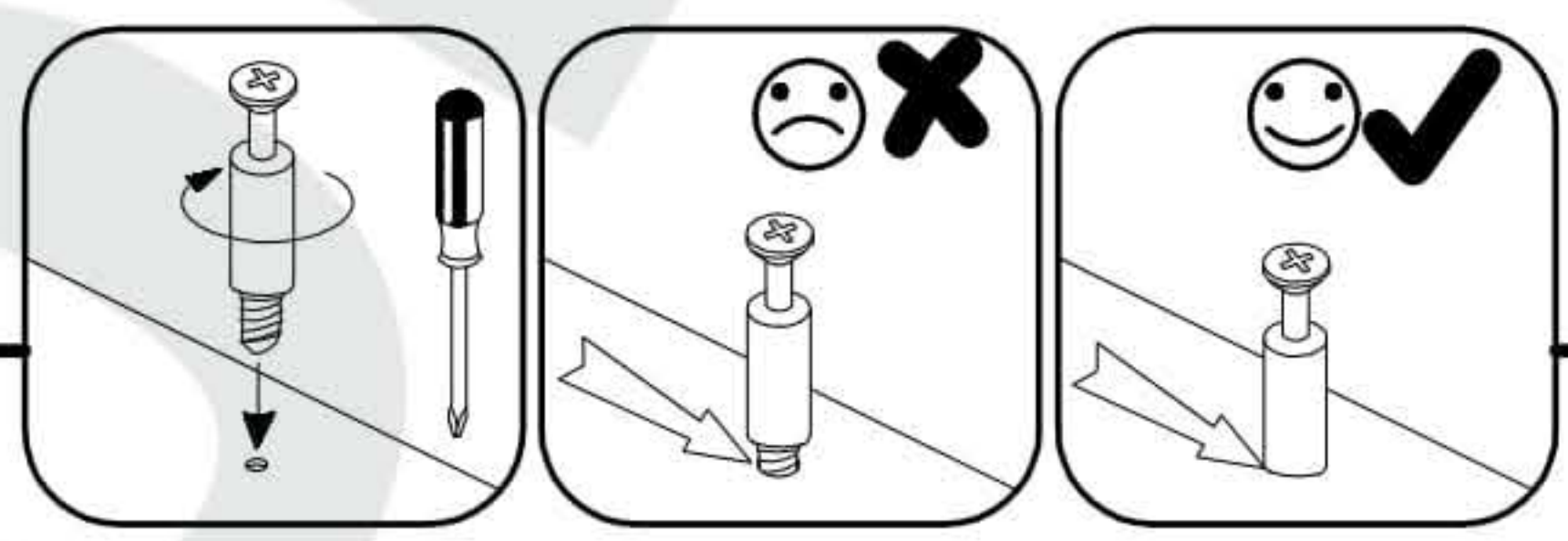
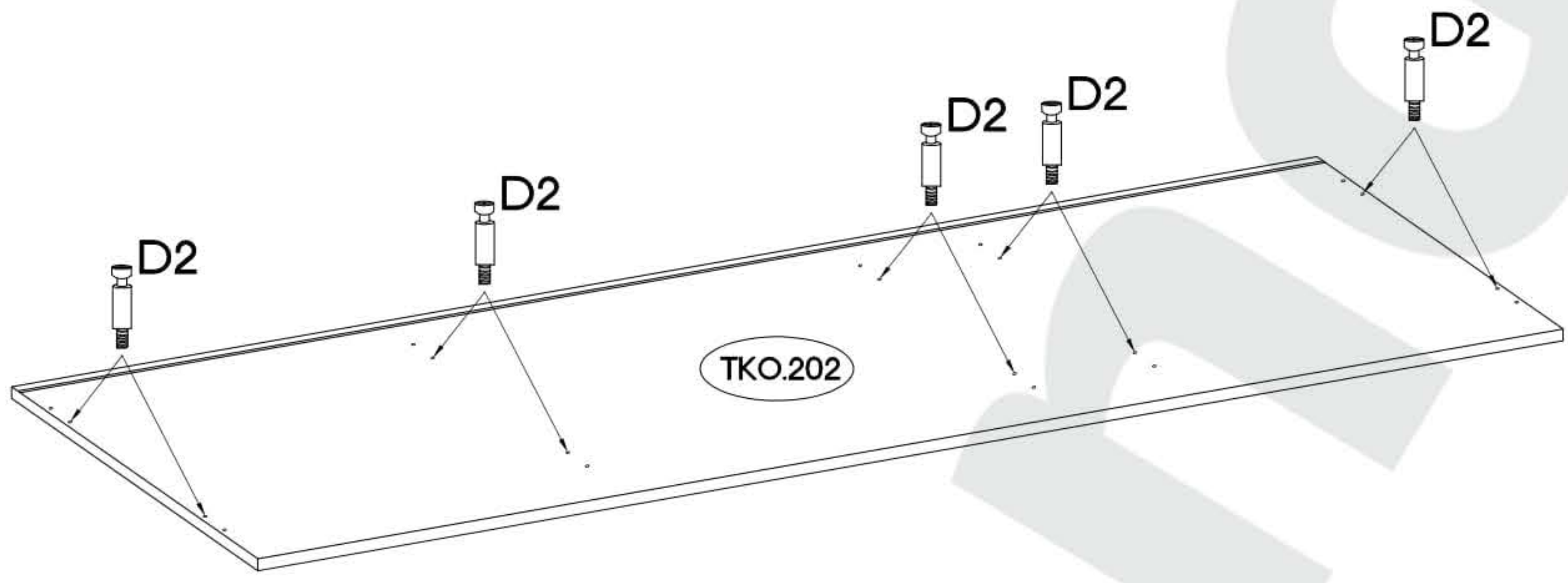
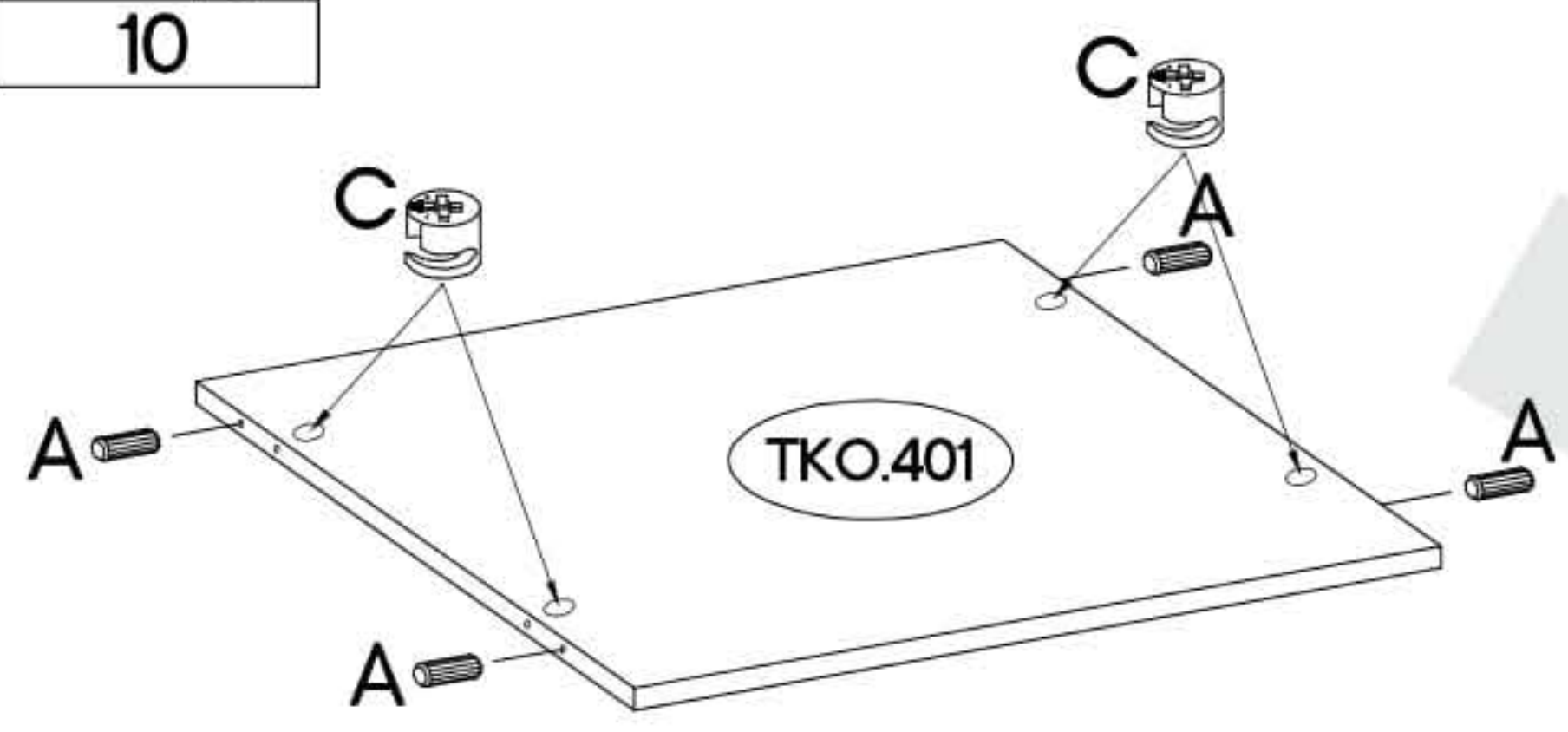
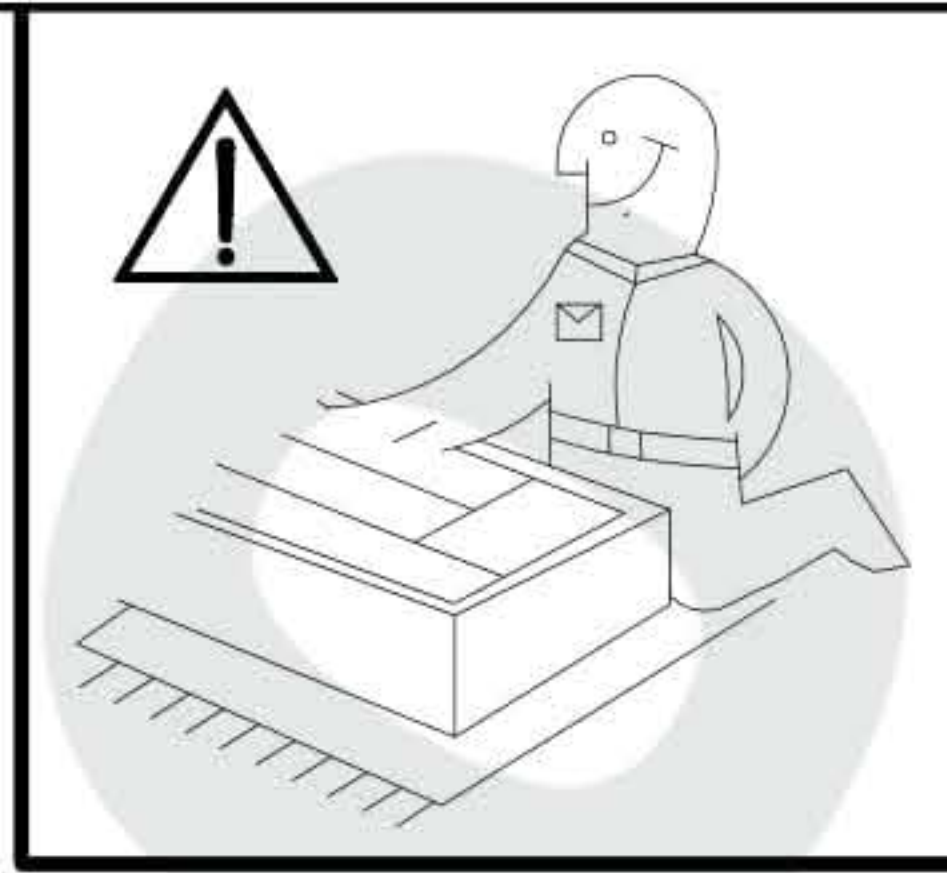


$\varnothing 8 \times 30 \text{mm}$  A	$\varnothing 15/12 \text{mm}$  C	L=20mm  D2	27/310mm  I4	$\varnothing 6,3 \times 13 \text{mm}$  M2	L  K25	R  K26	$\varnothing 4.0 \times 30 \text{mm}$  P8
20	20	4	1	4	2	2	8




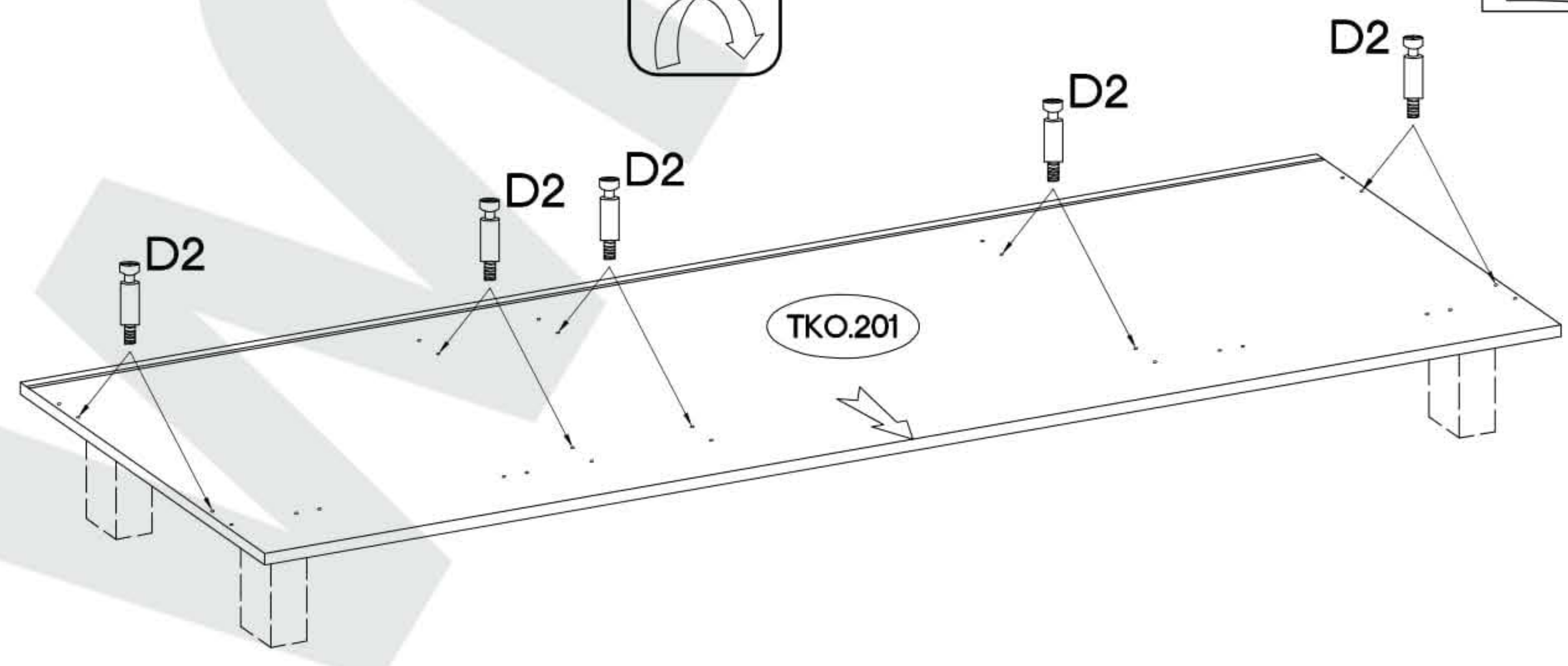
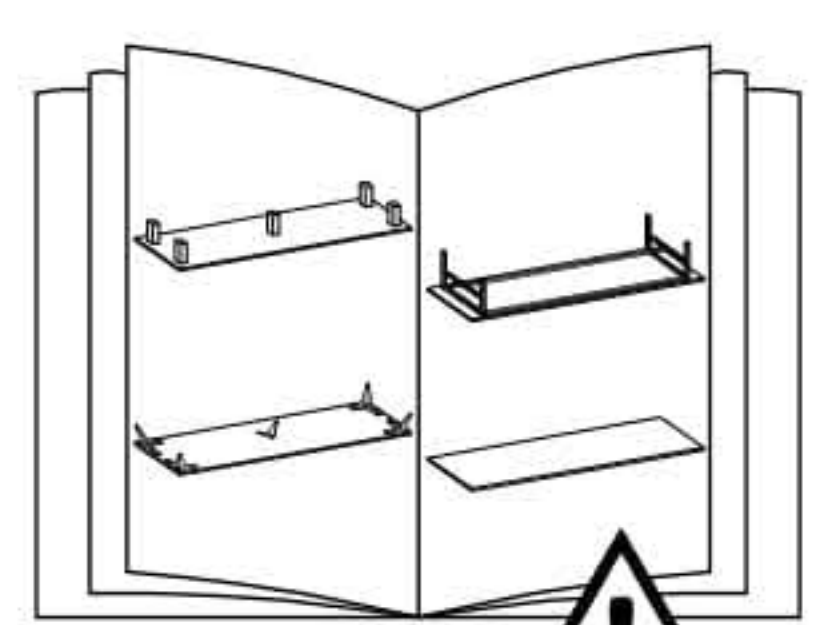
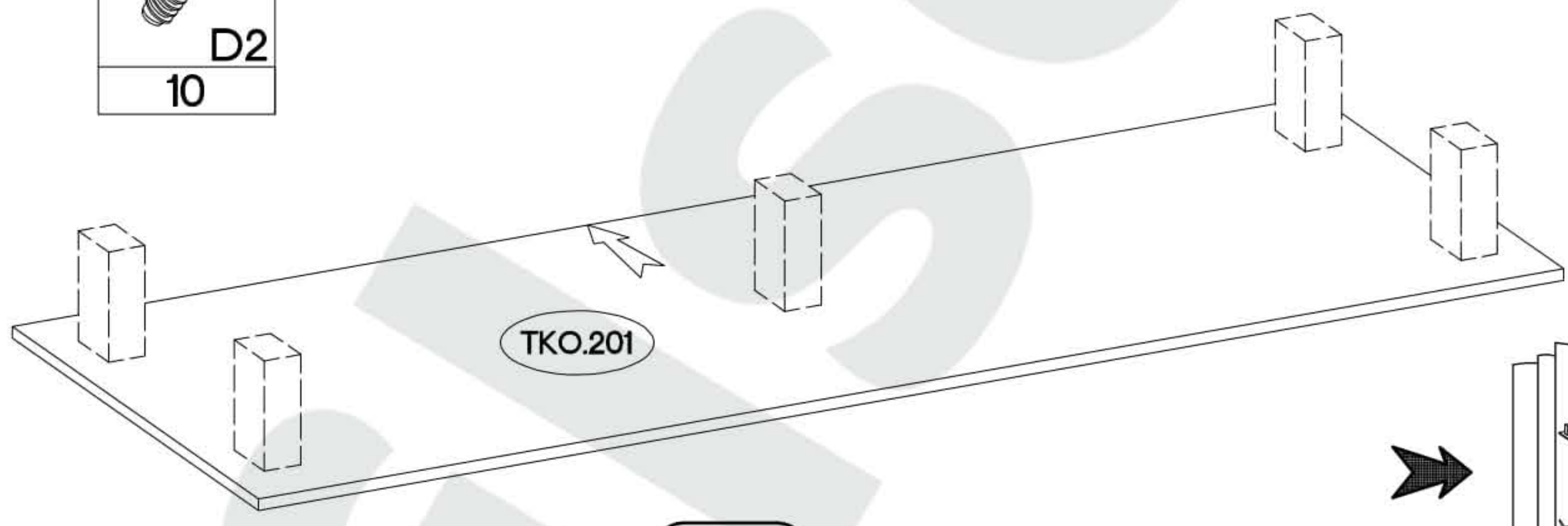
7

†8x30mm  A	†15/12mm  C	L=20mm  D2
4	4	10

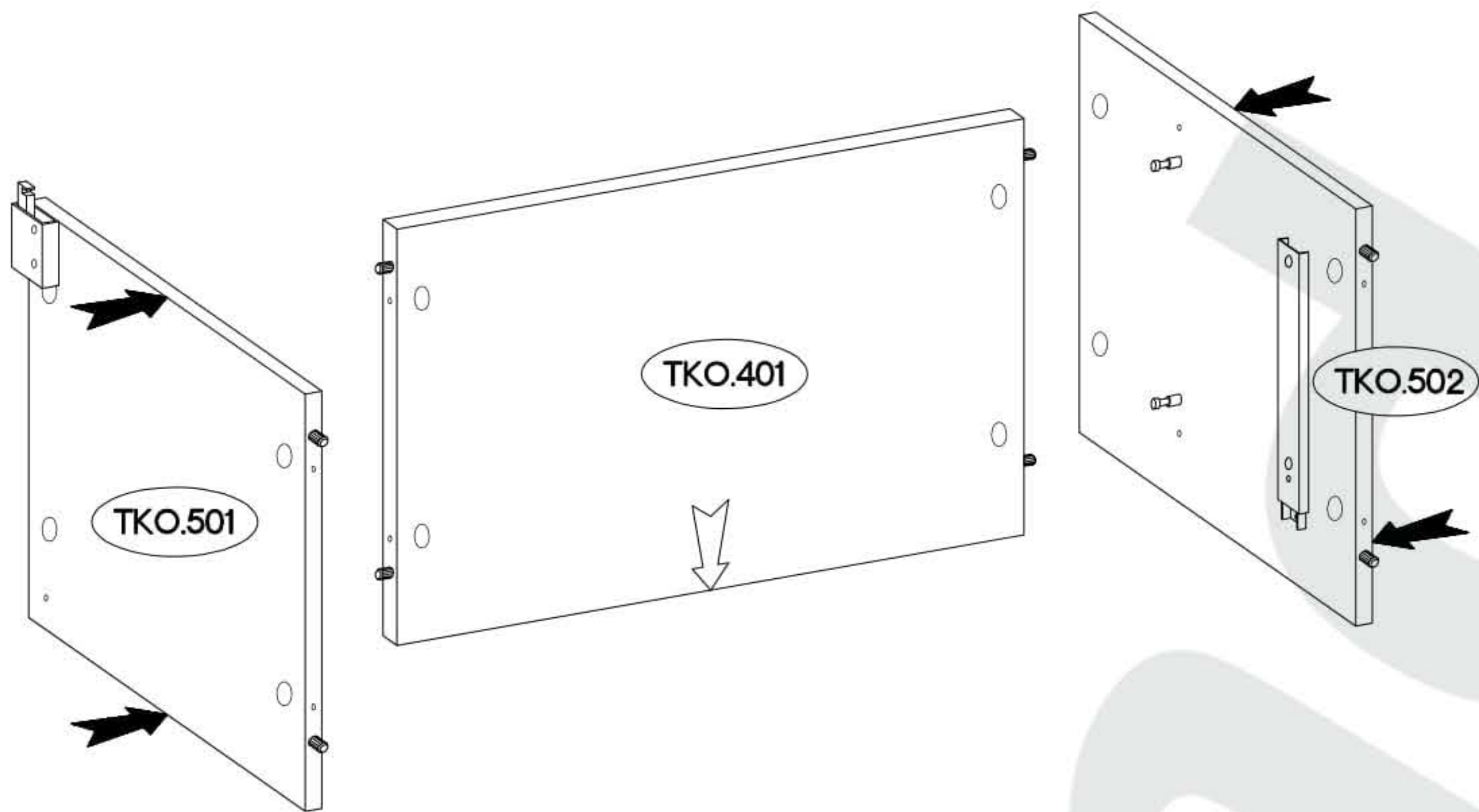
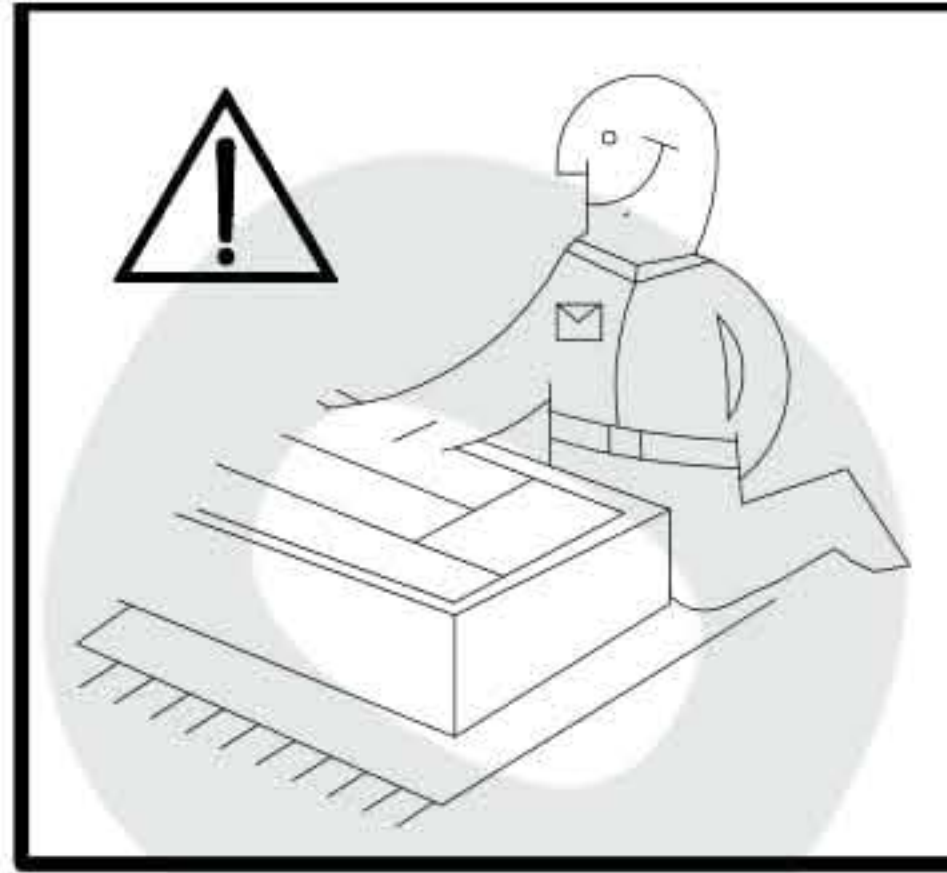


8

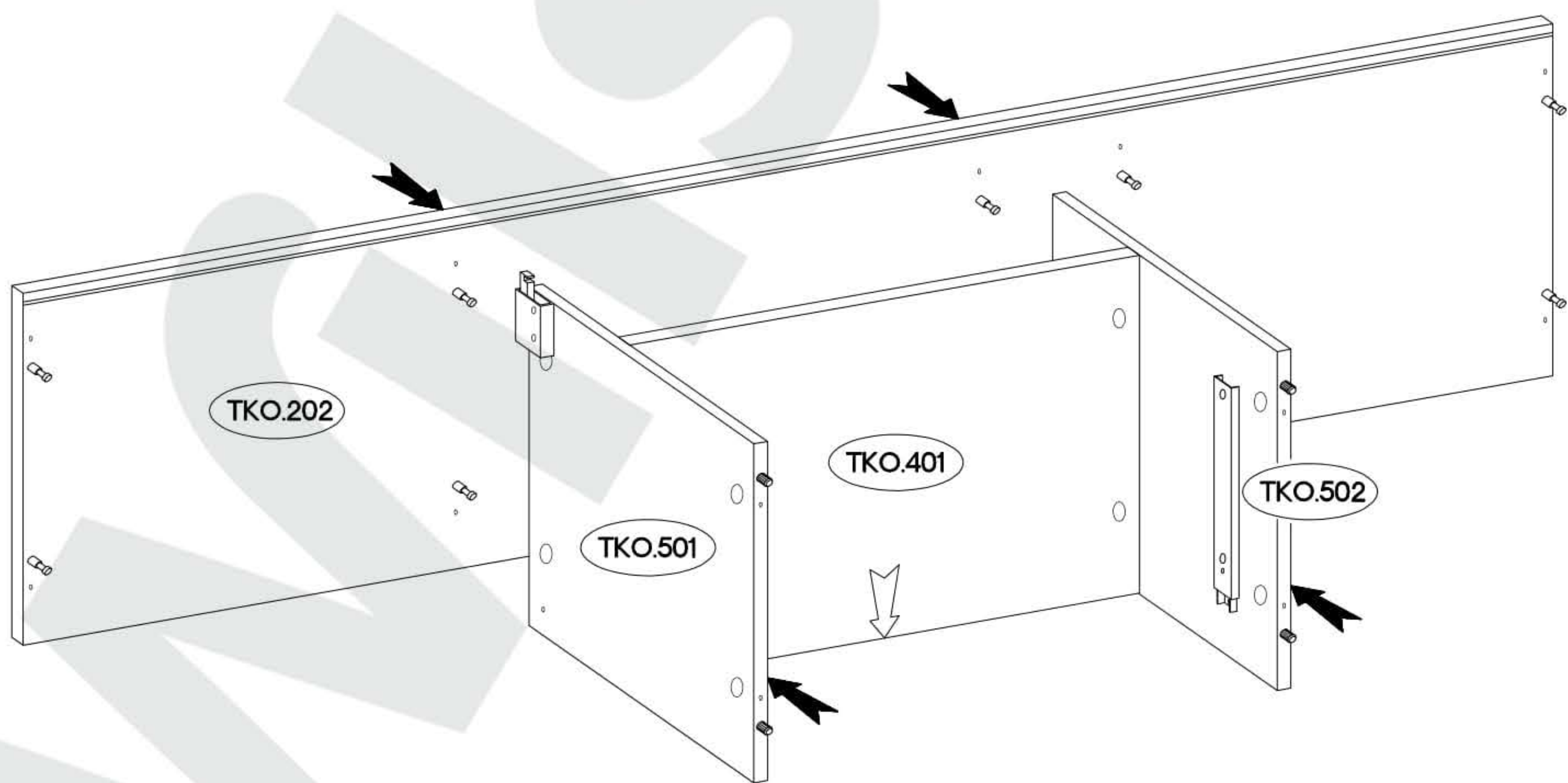
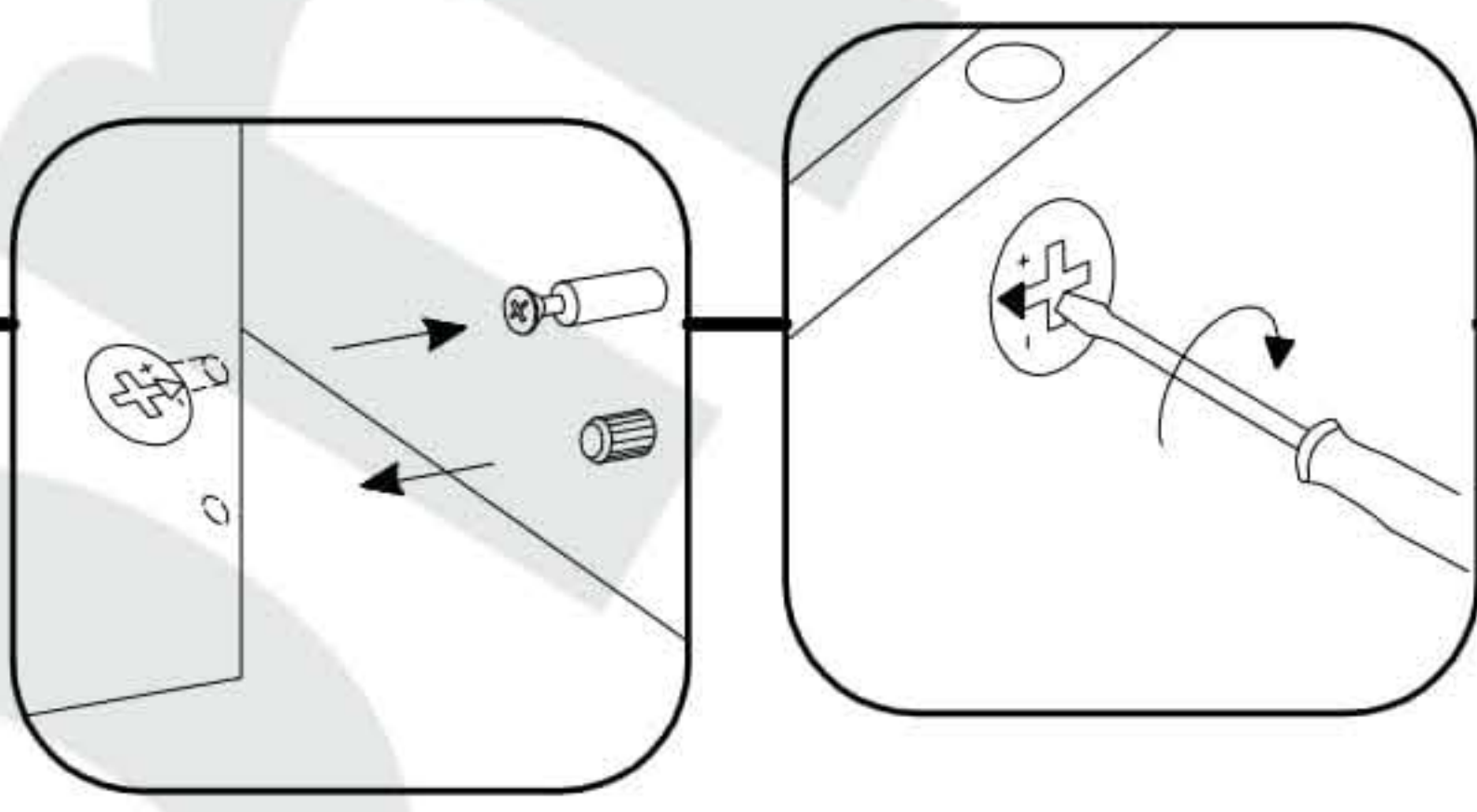
L=20mm  D2
10



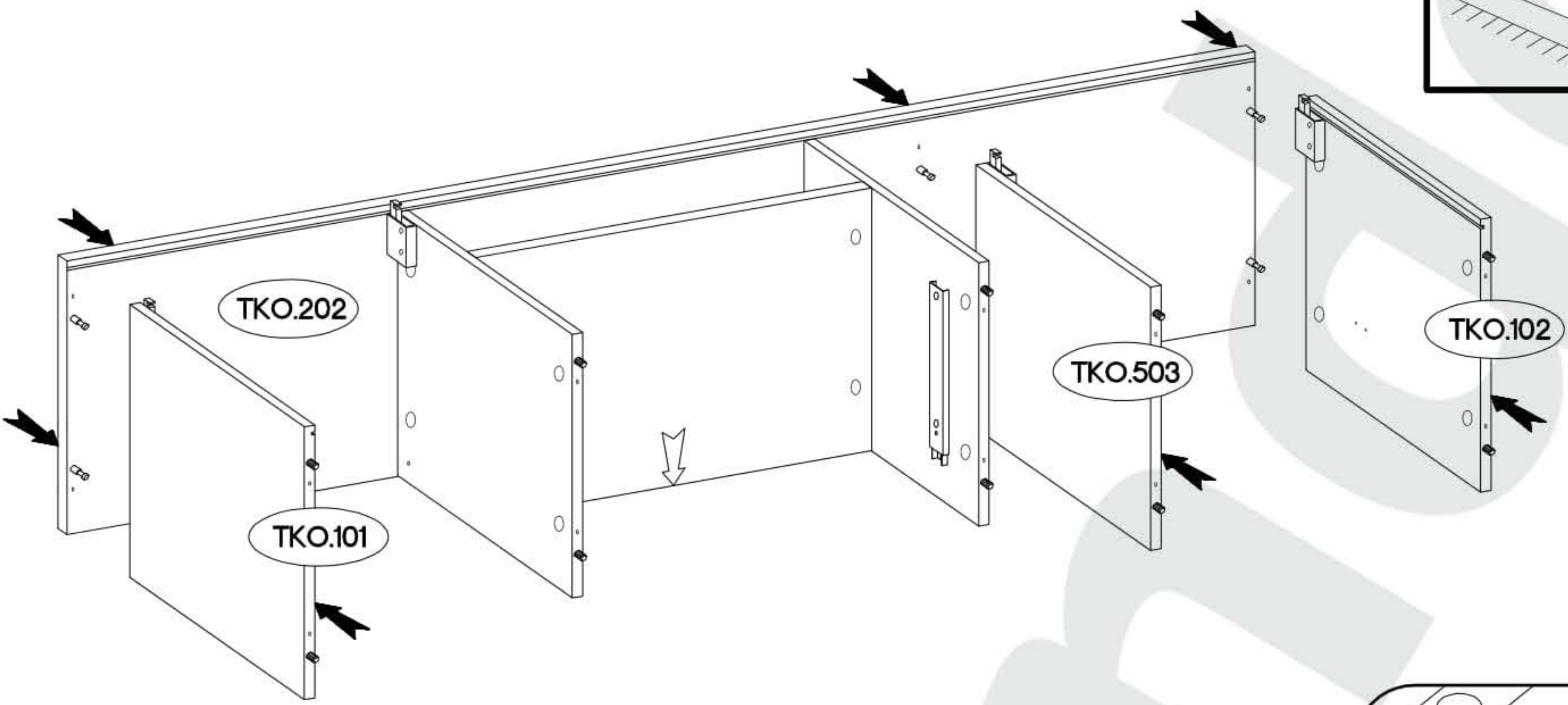
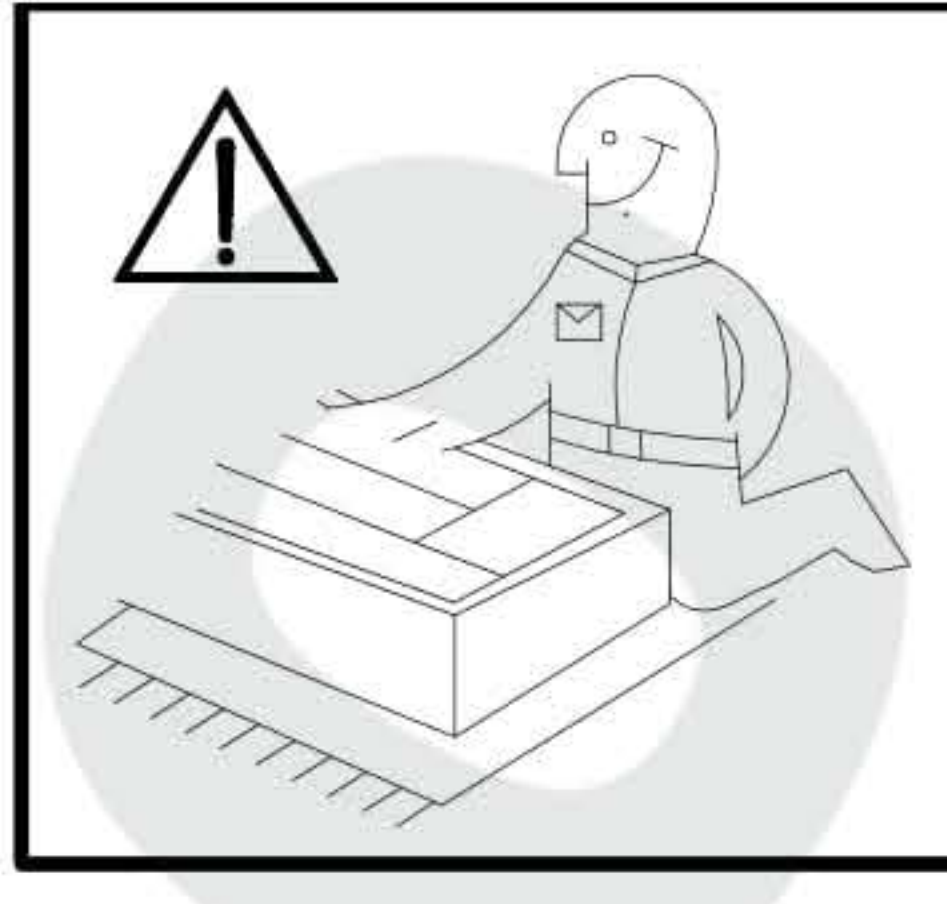
9



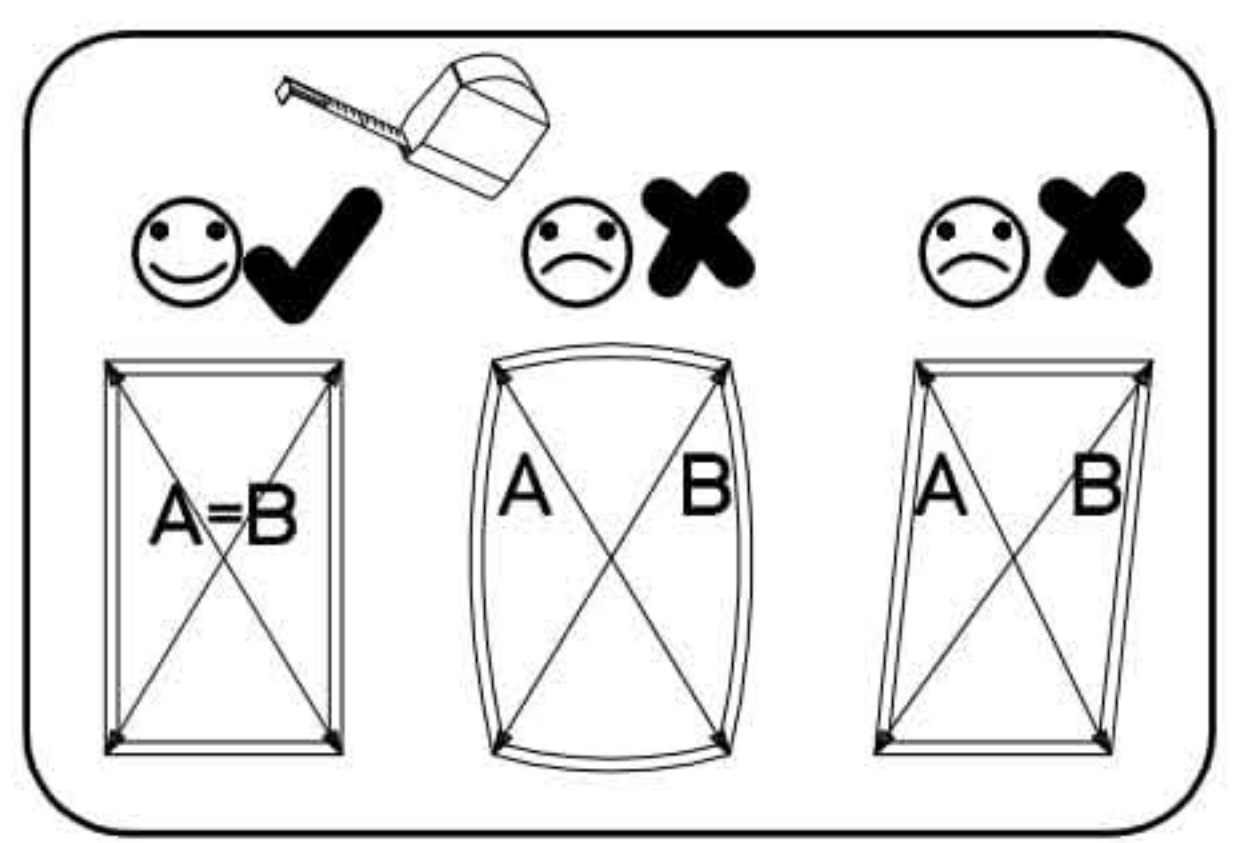
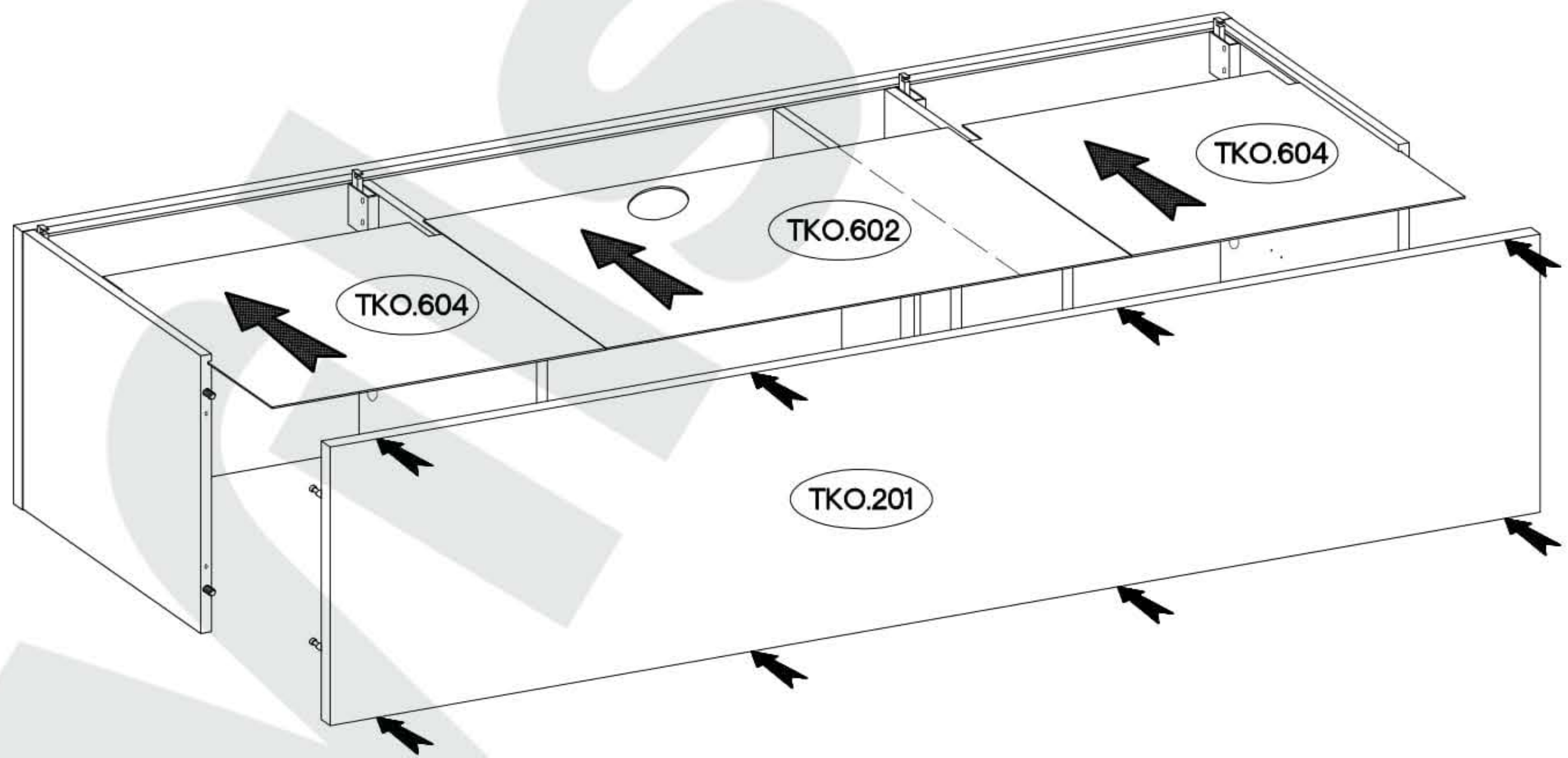
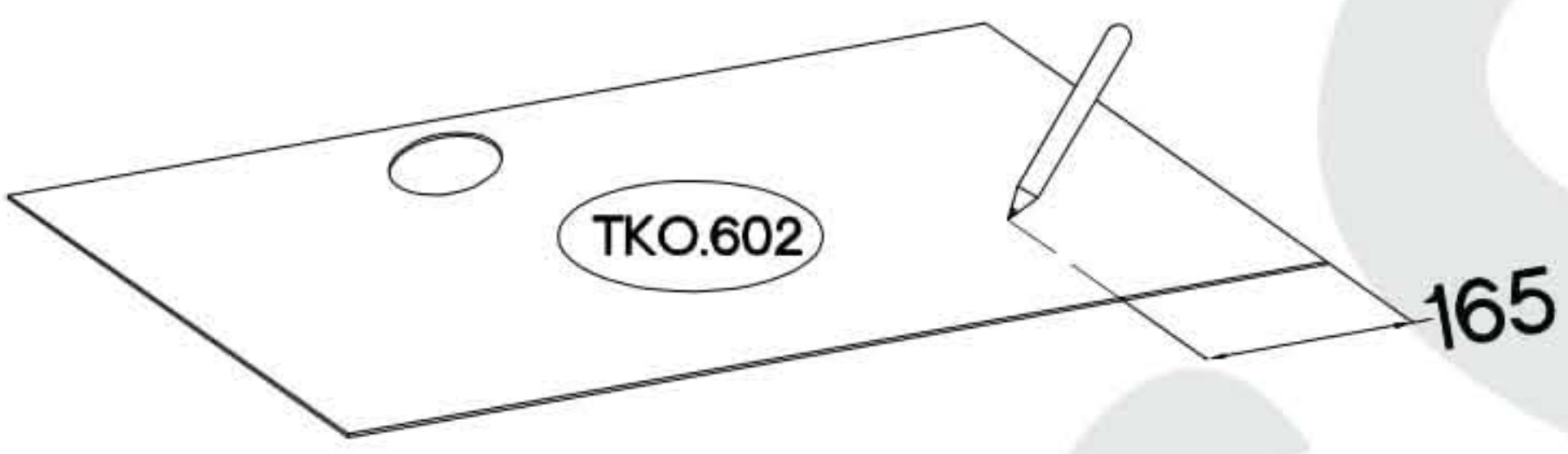
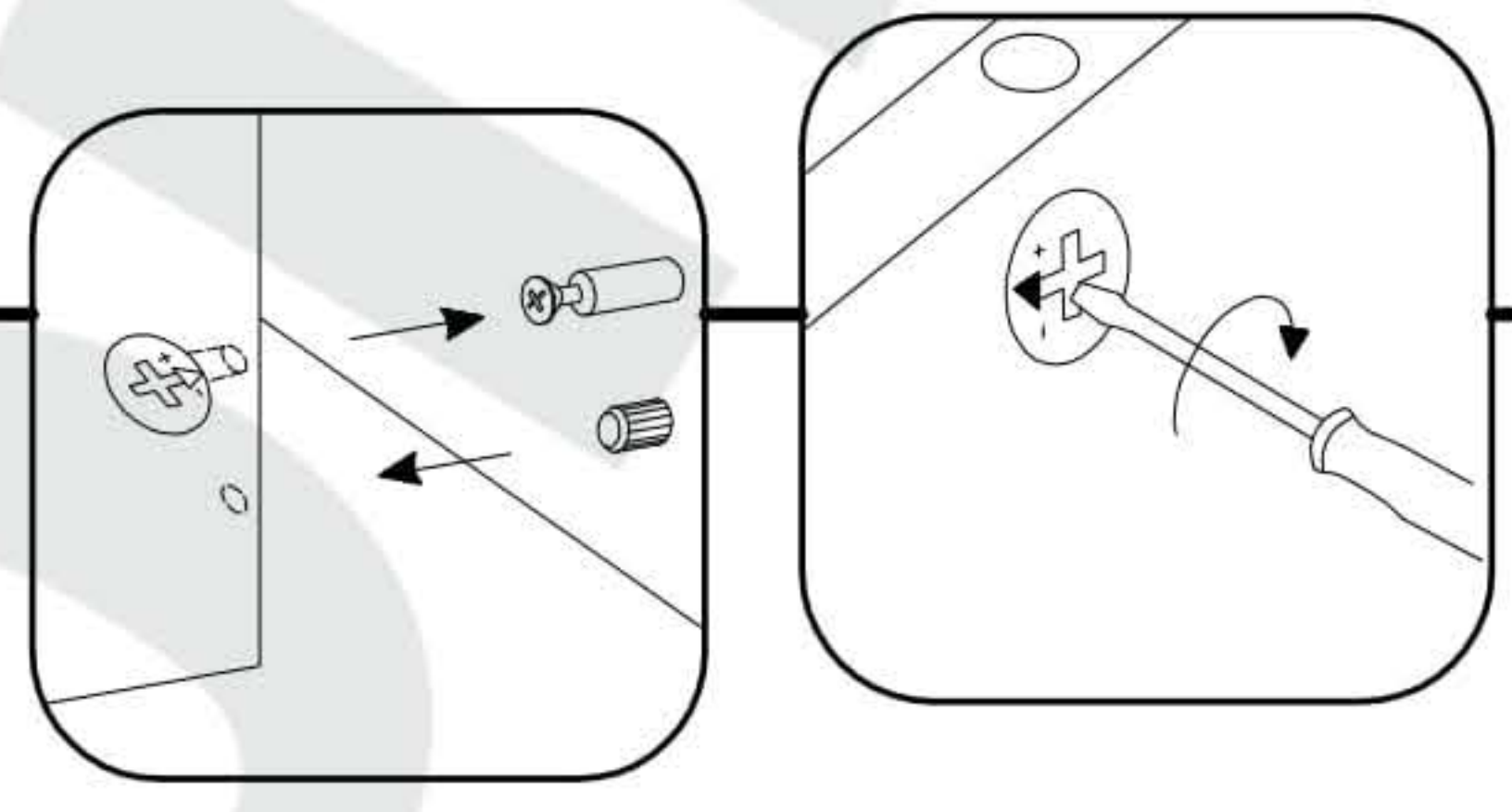
10





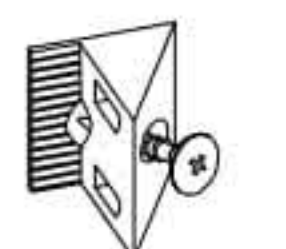
11

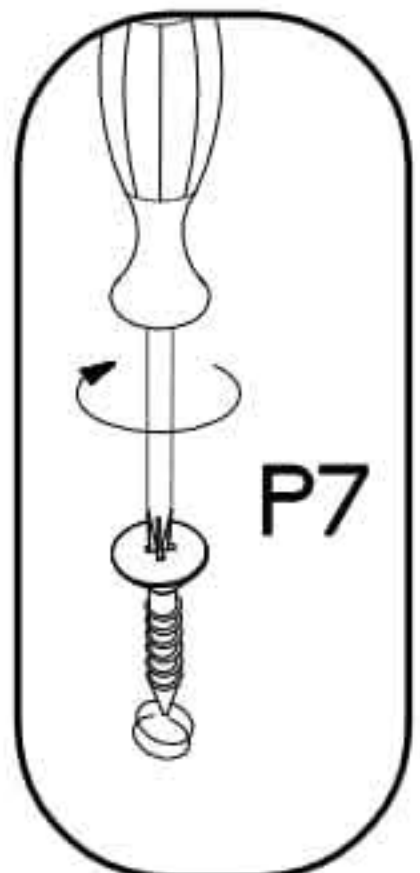
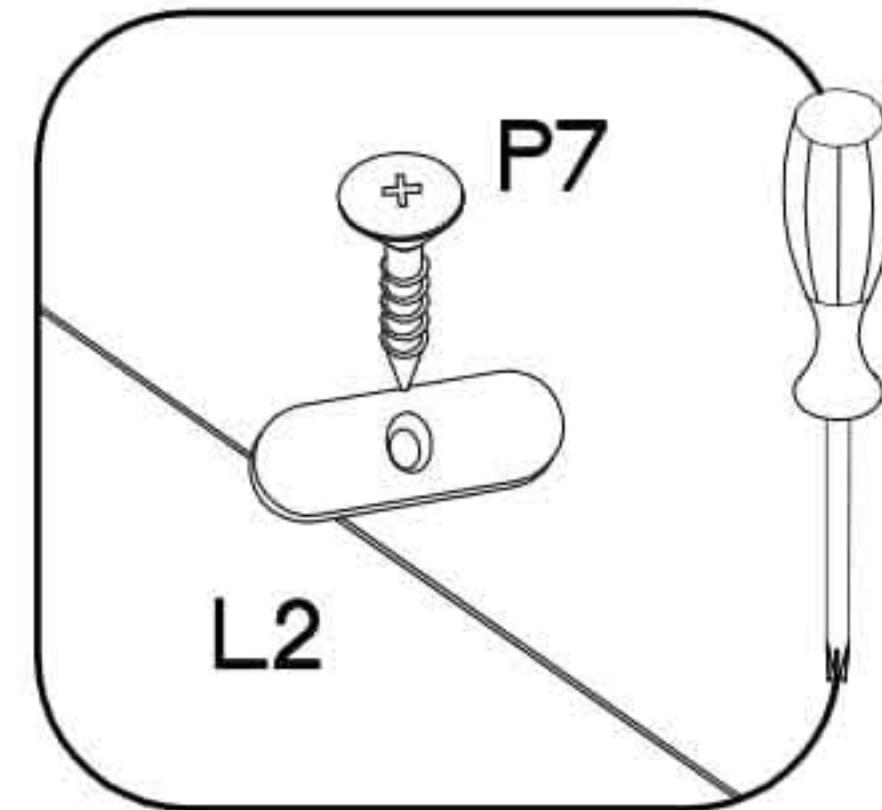
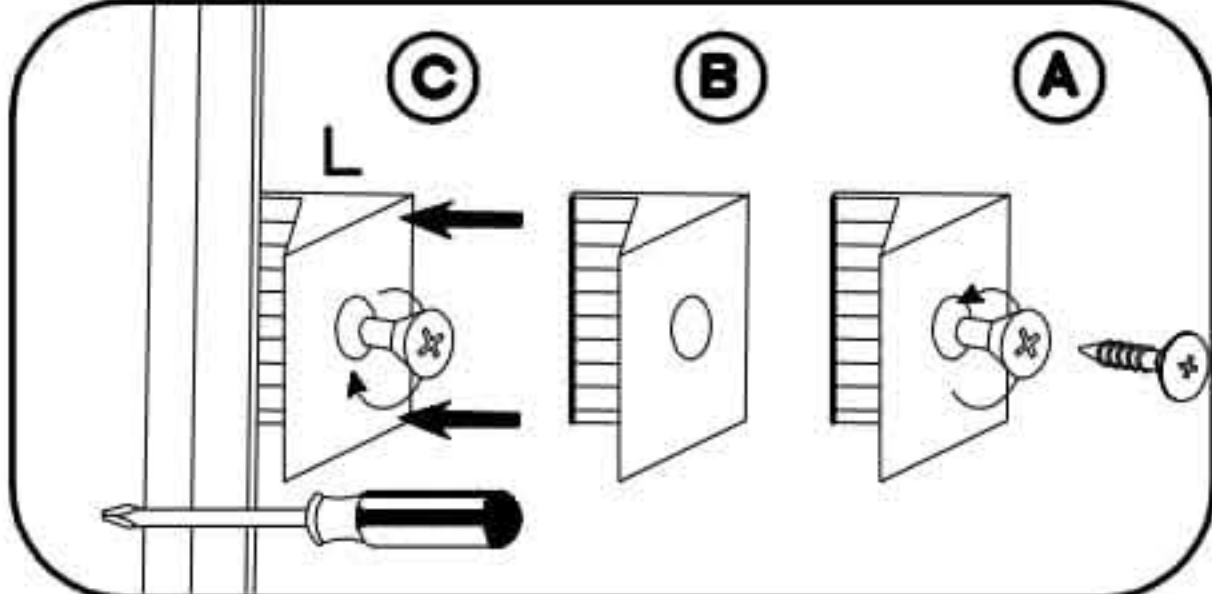
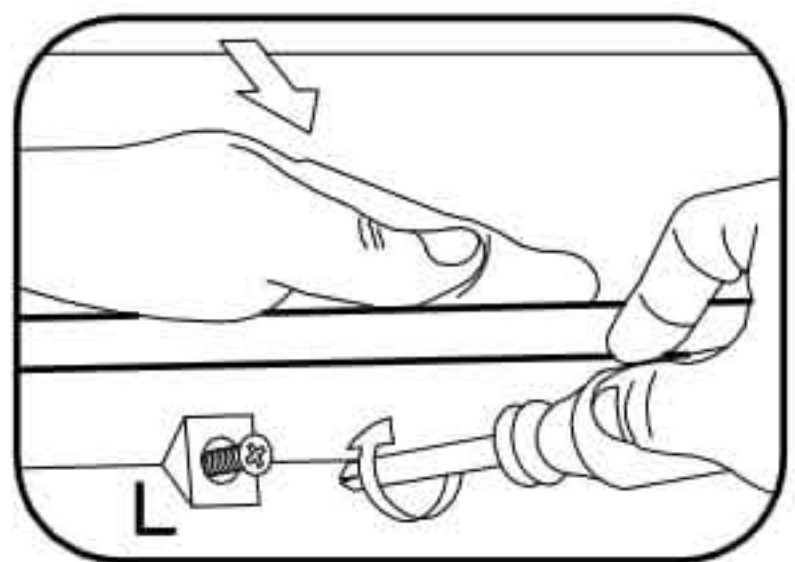
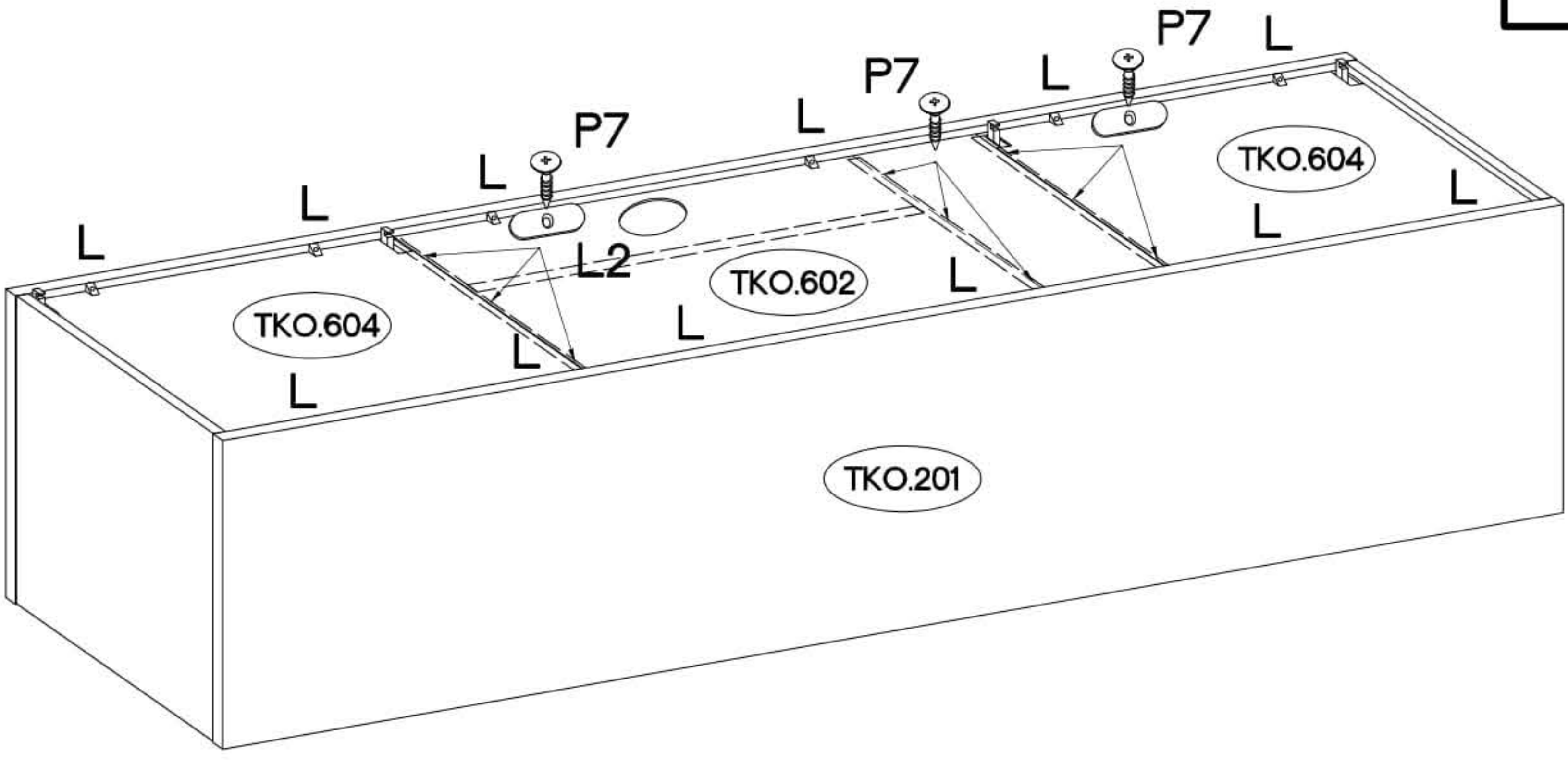
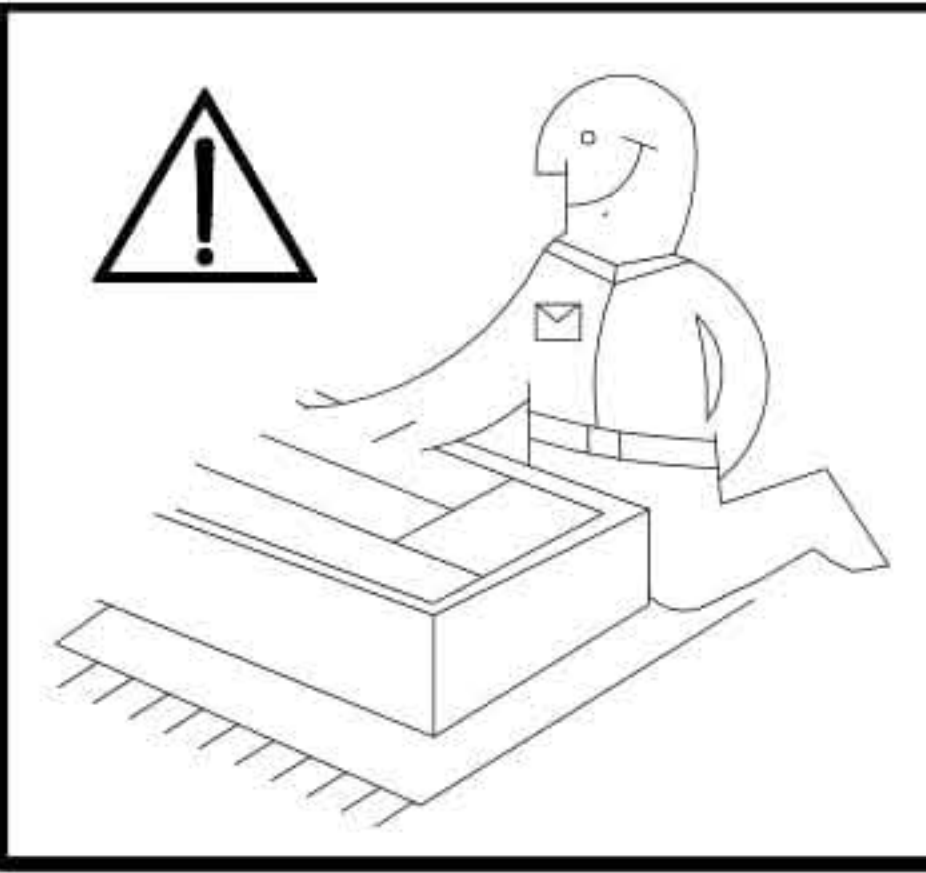


12

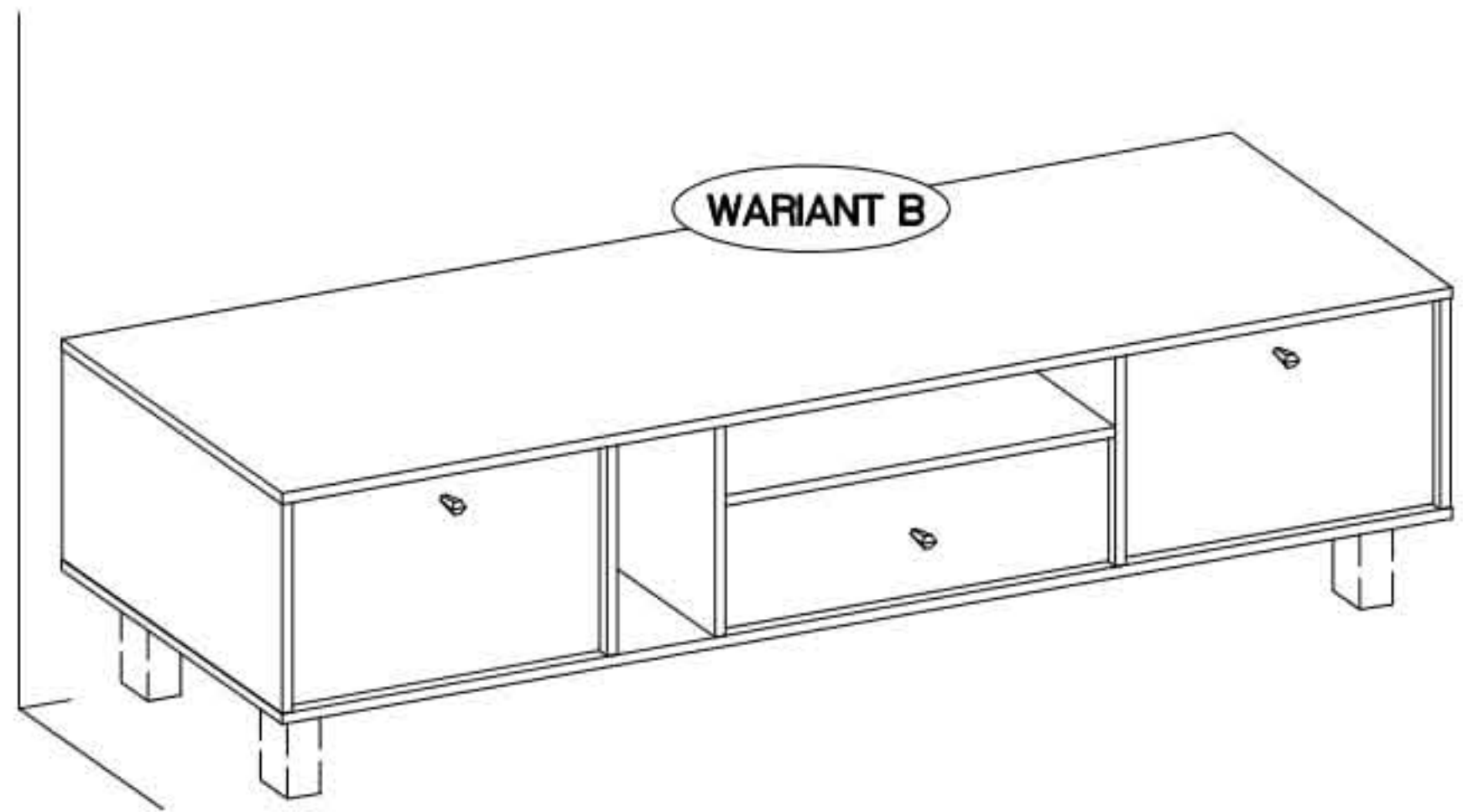
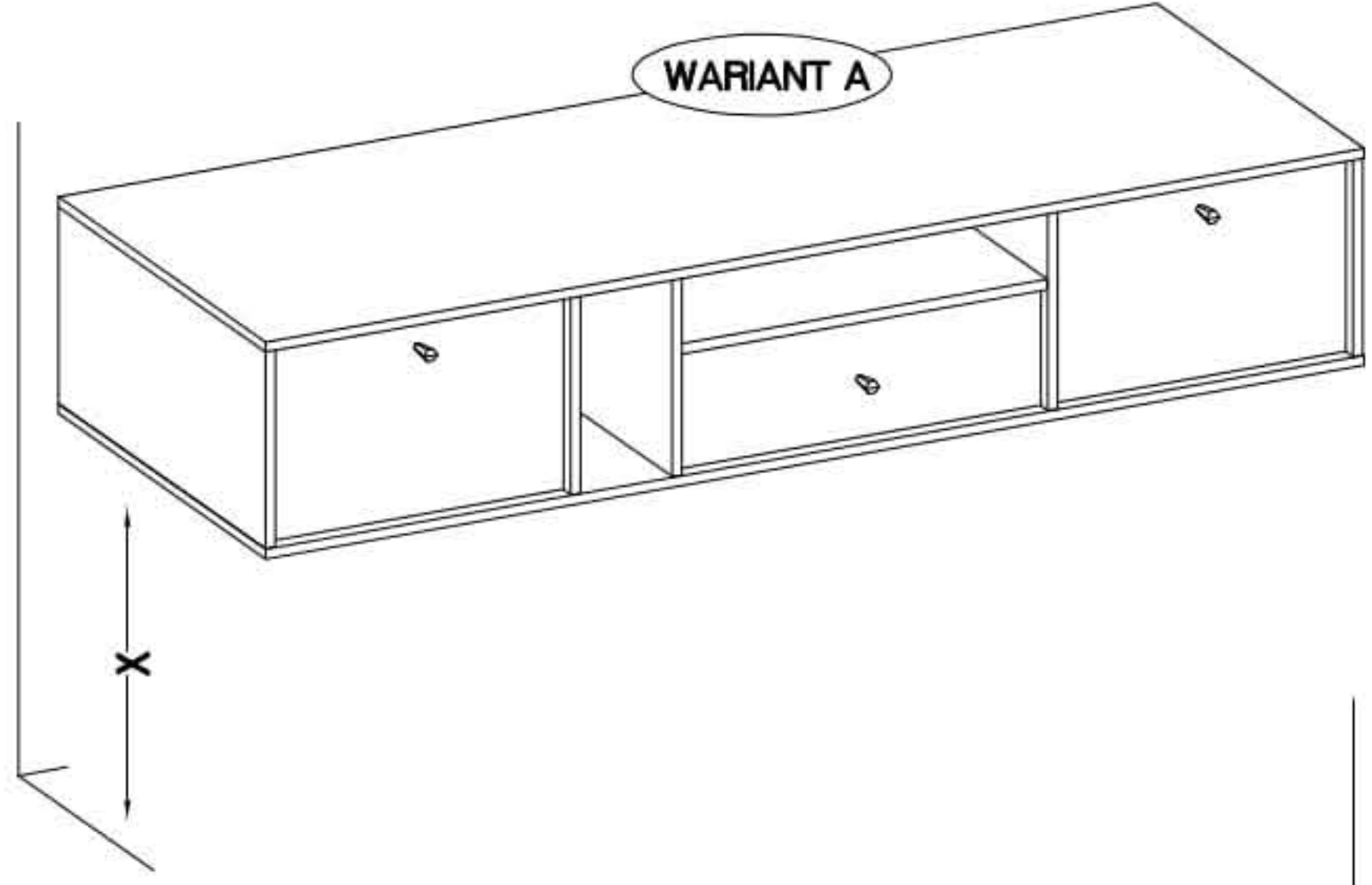


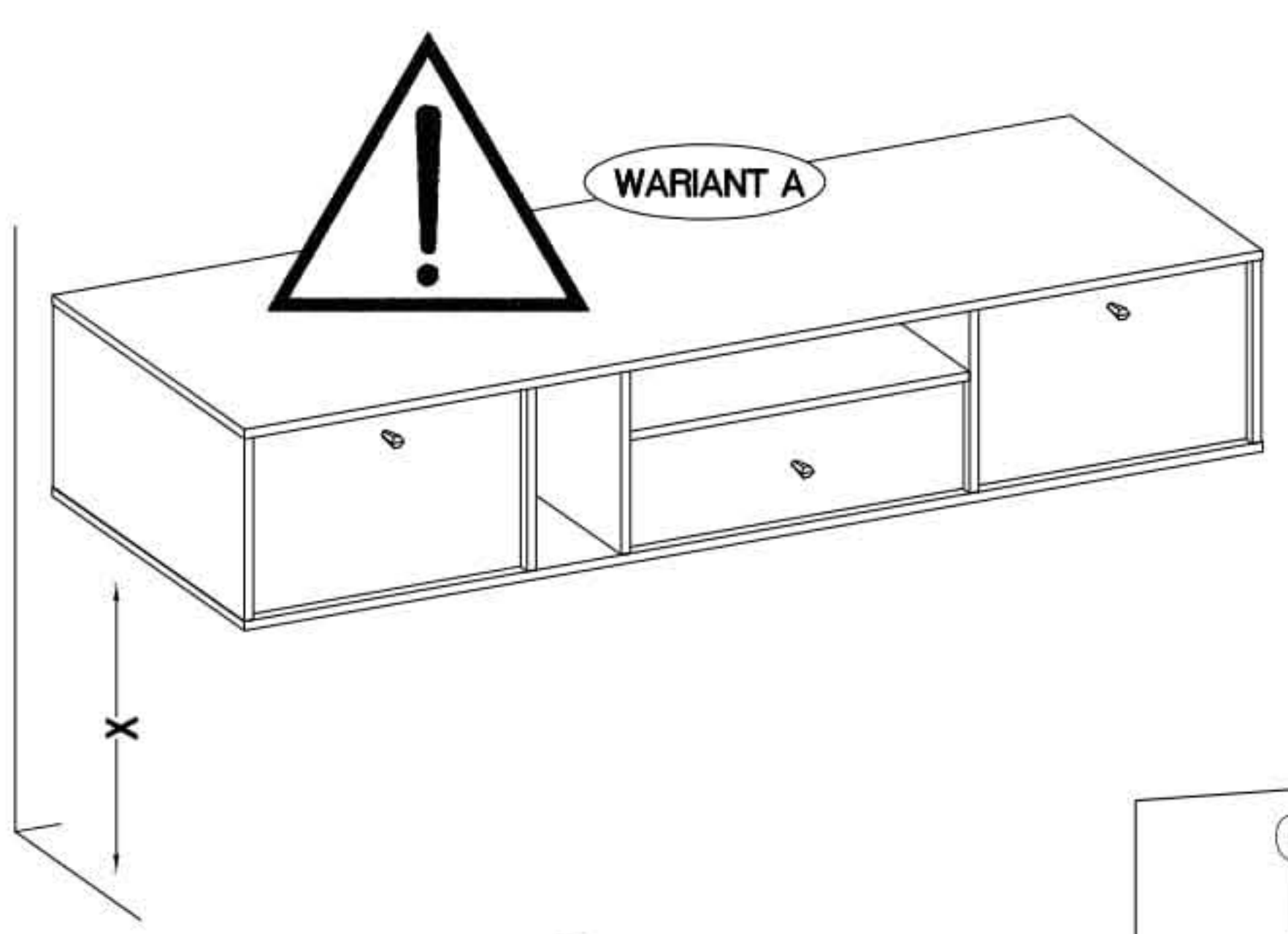
13

†3.0x20mm  P7 9	 L2 6	 L 12
--	--	--

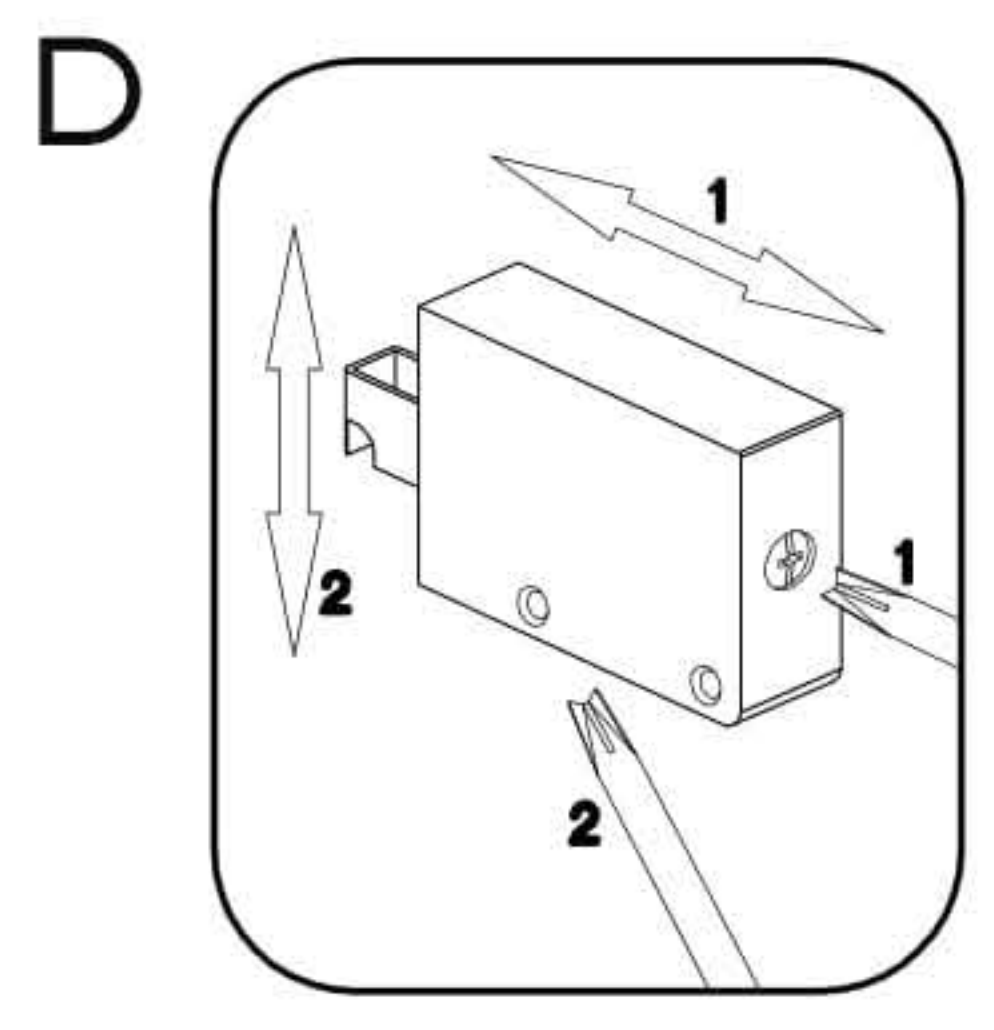
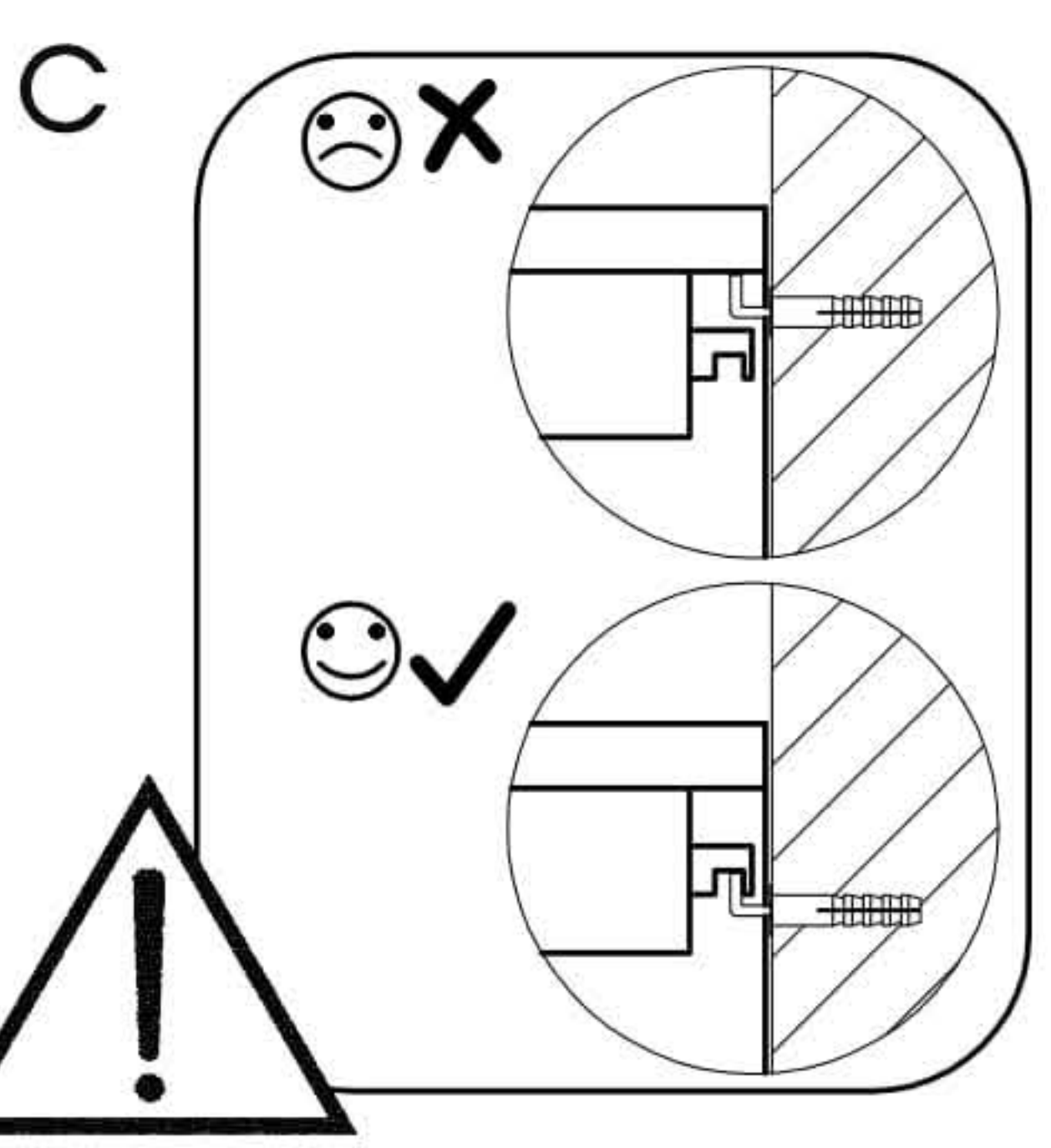
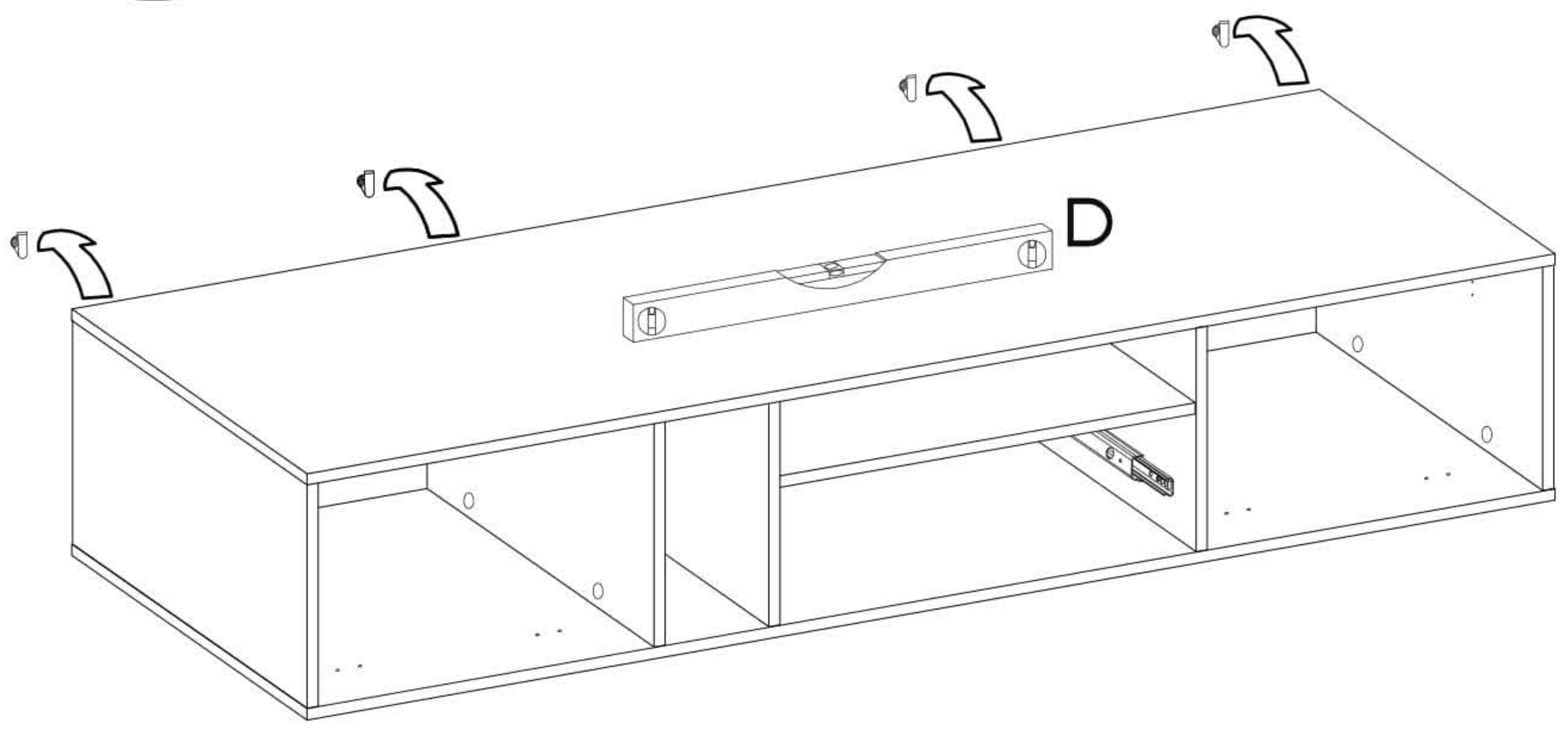
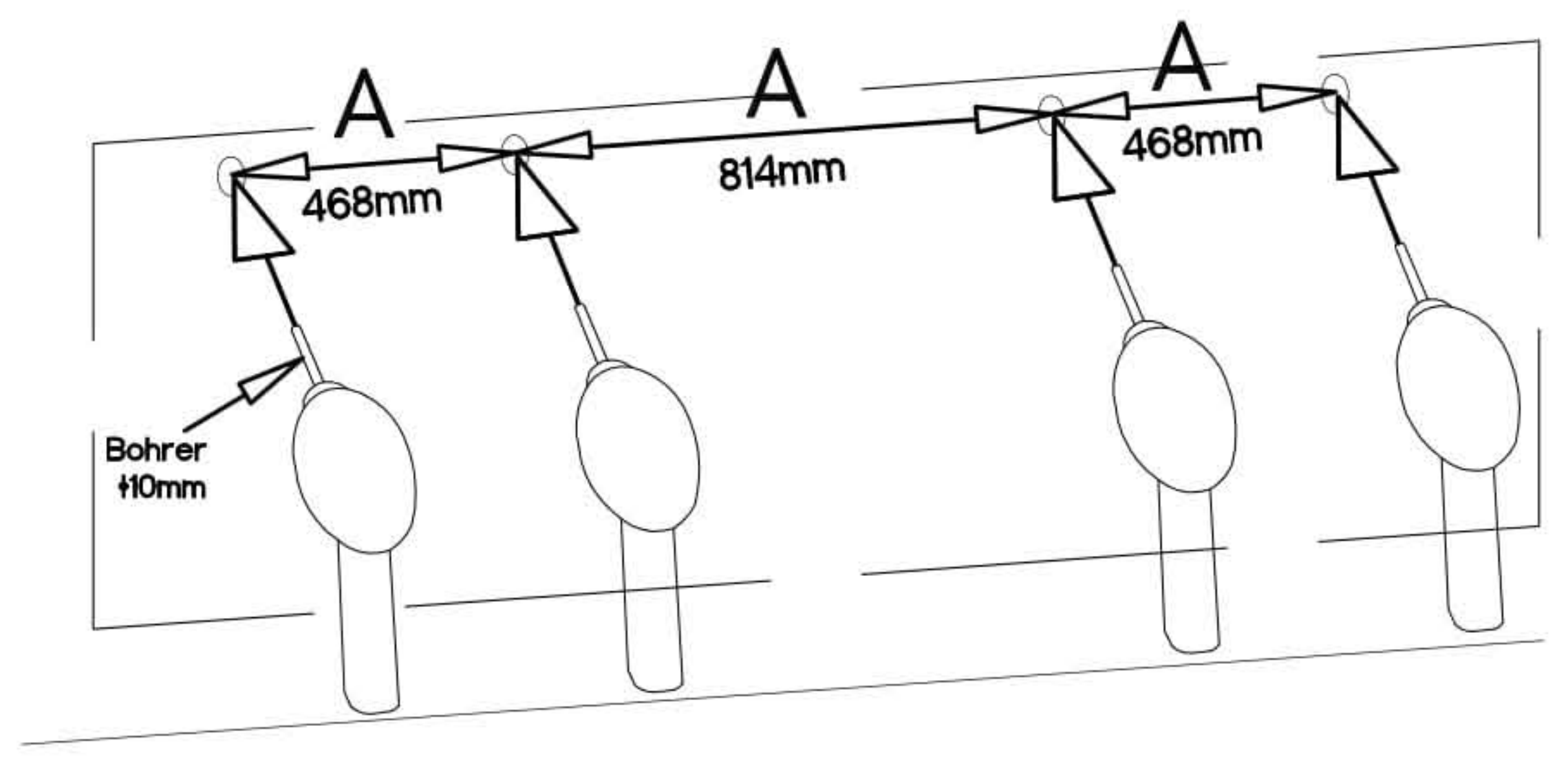
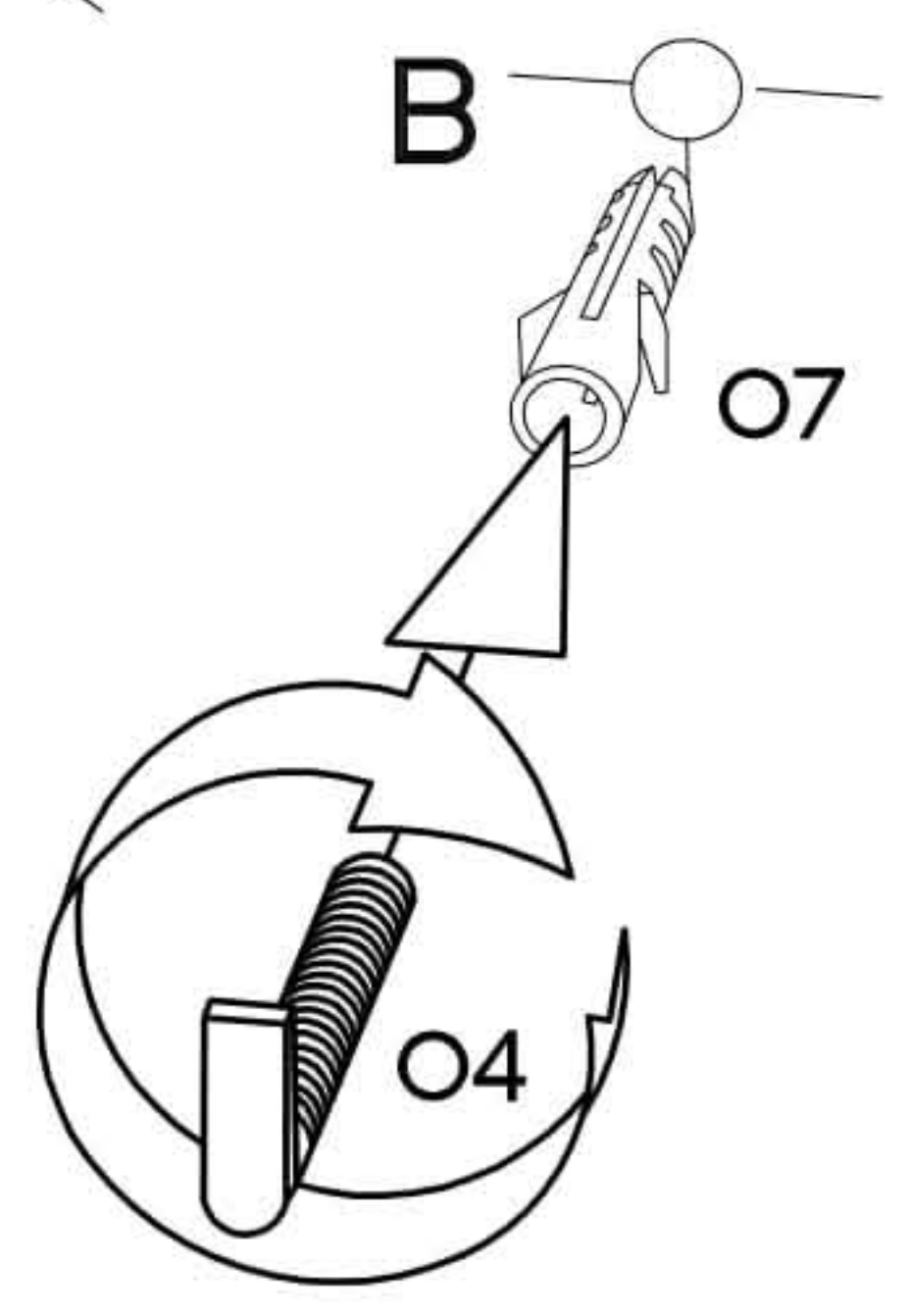


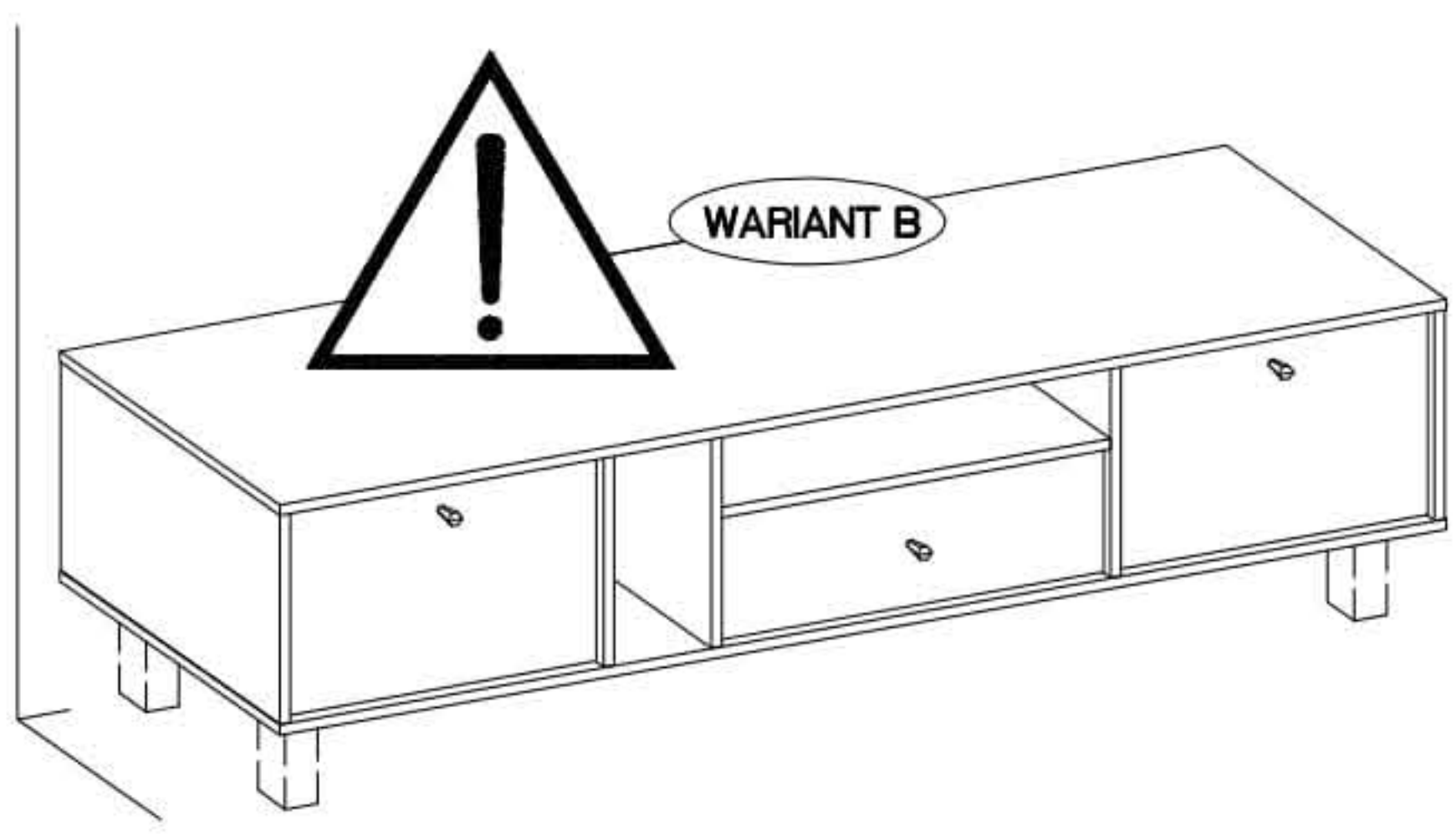
14



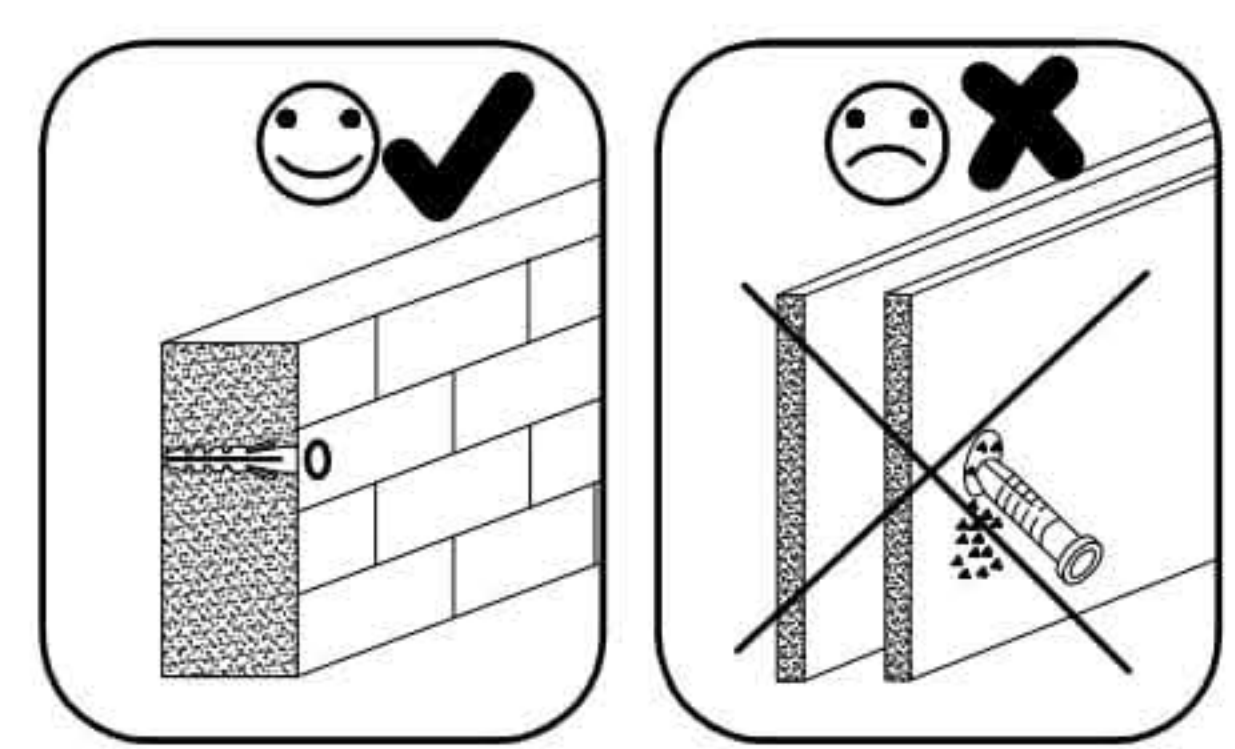
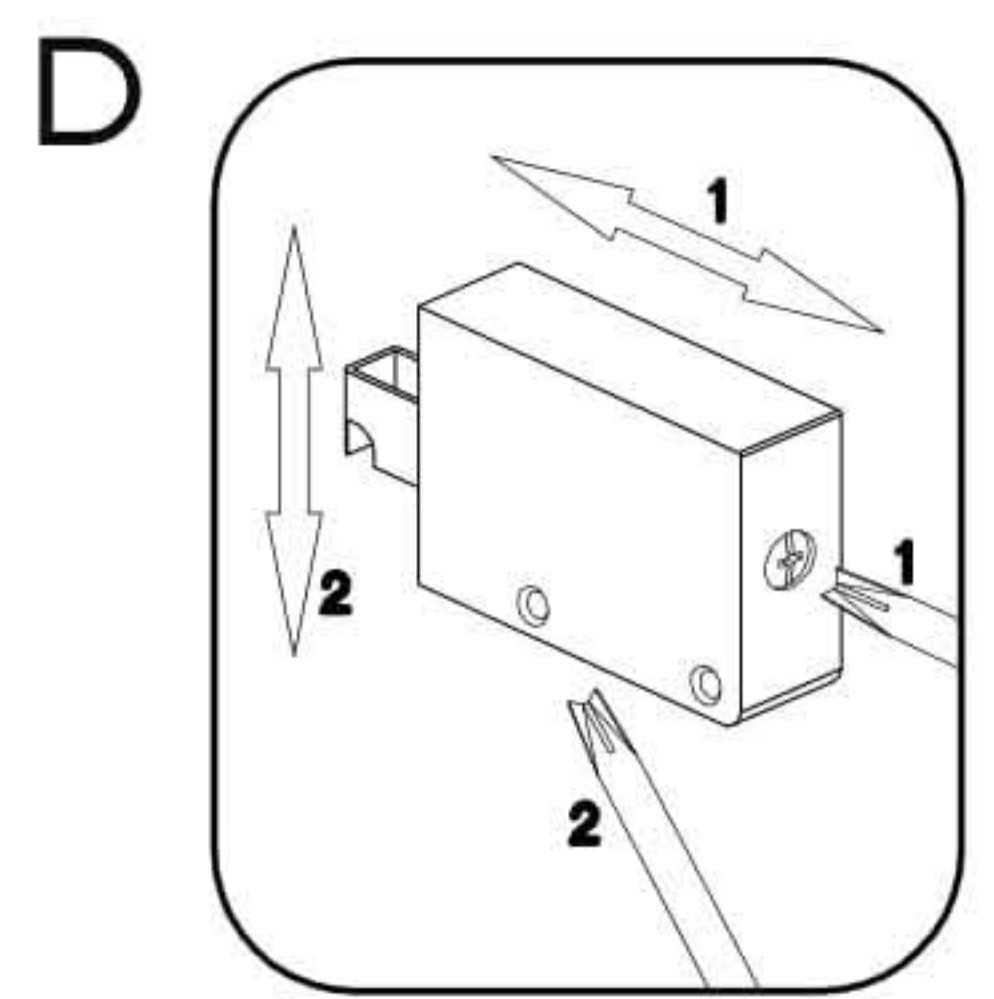
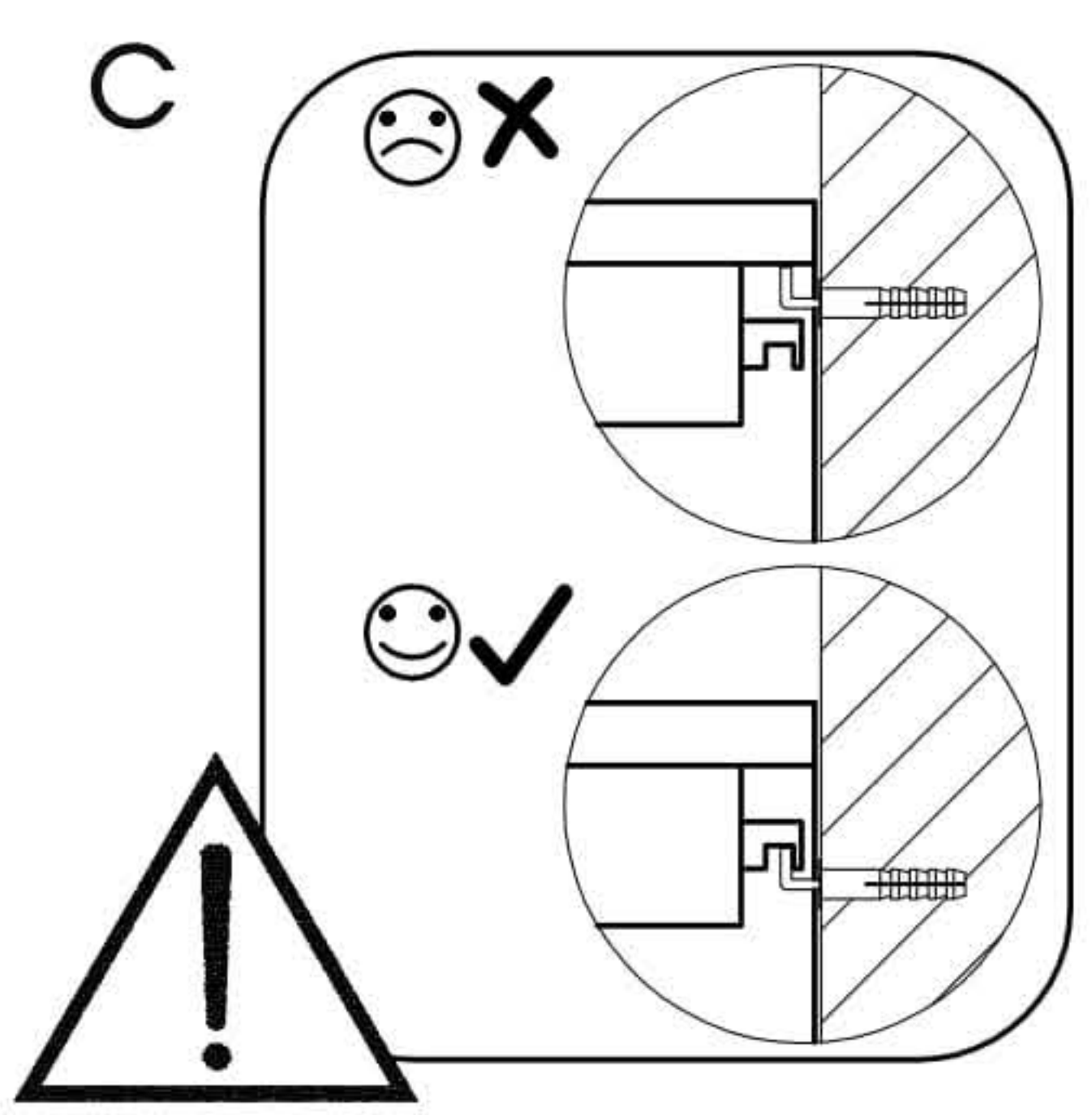
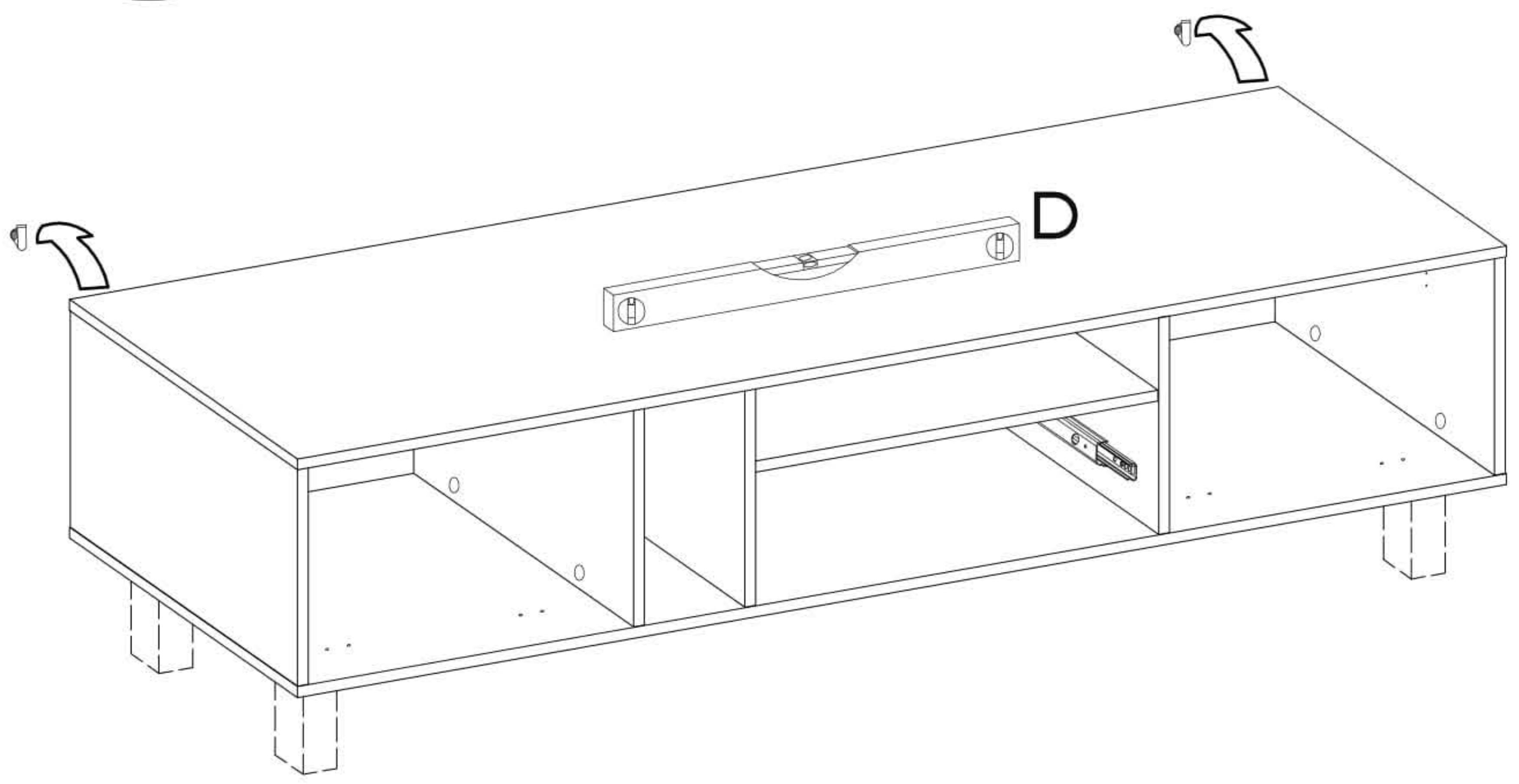
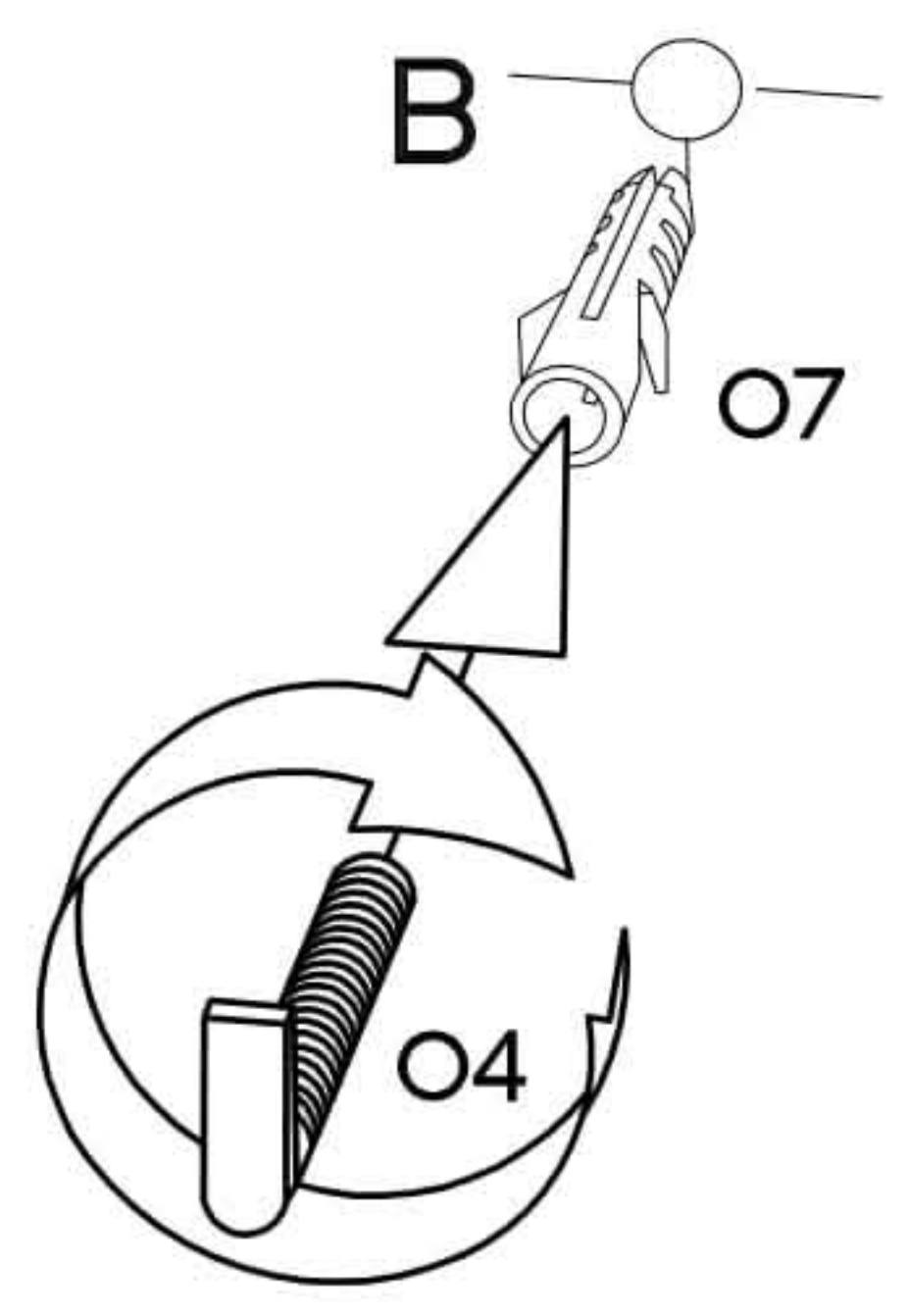
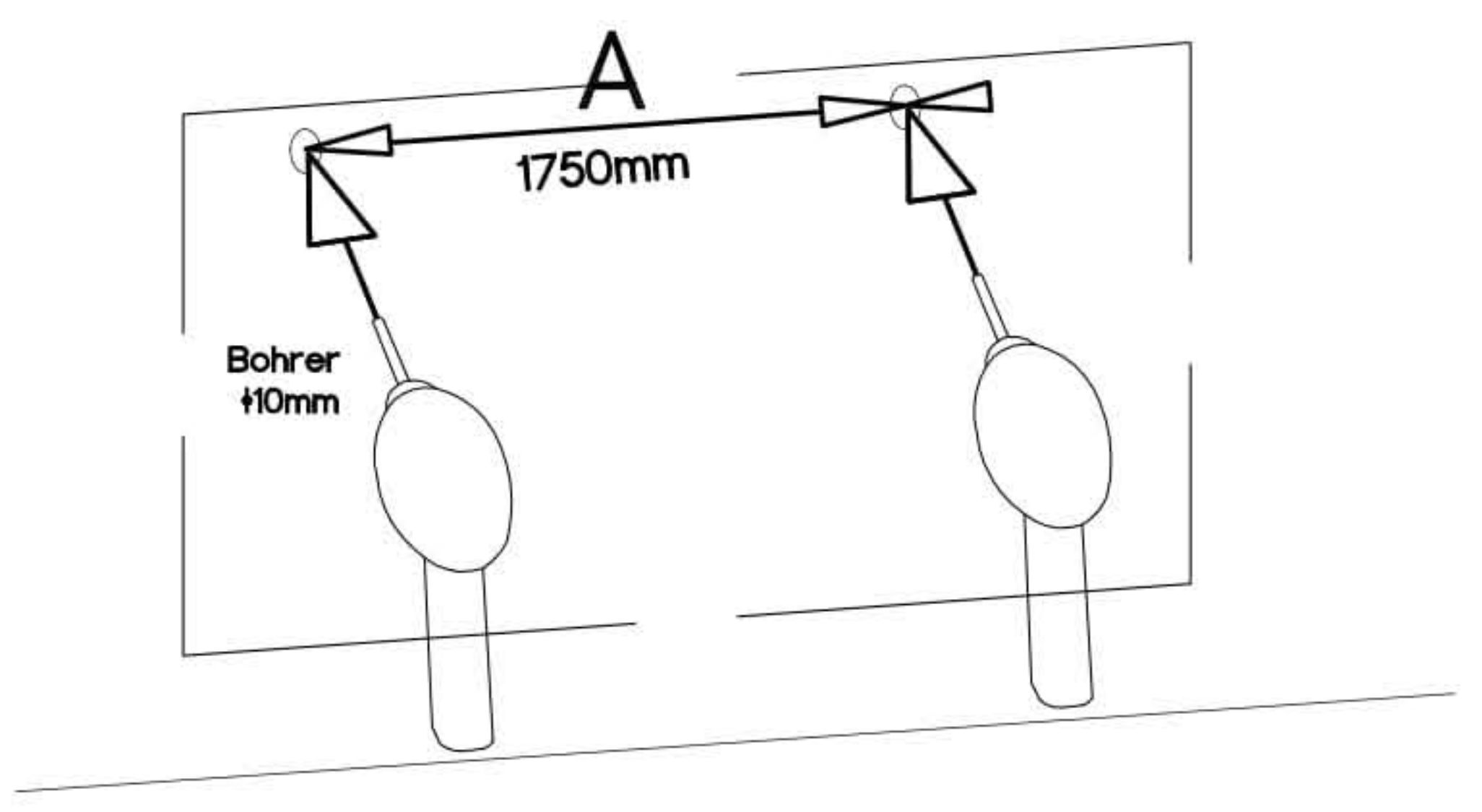


†10x50mm	6,5/68mm
O7	O4
4	4

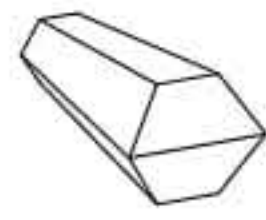





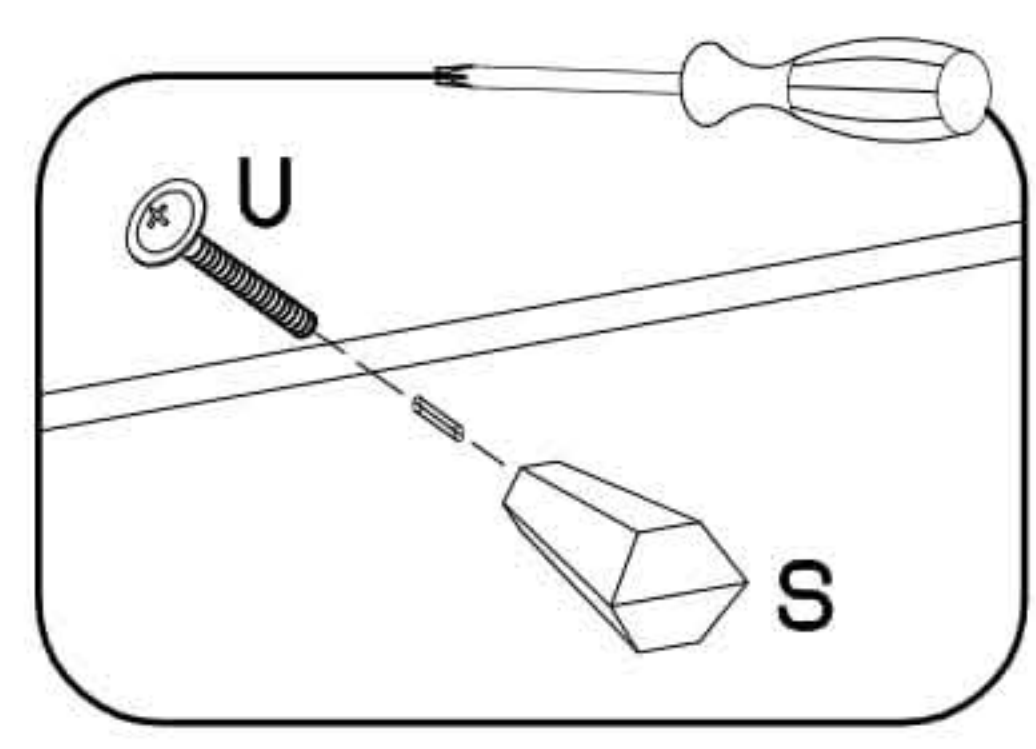
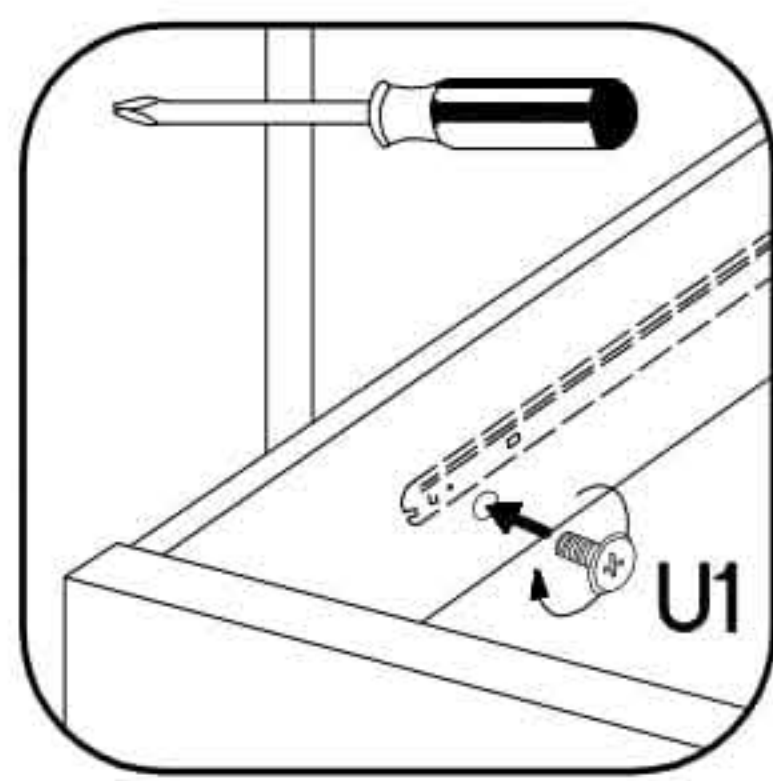
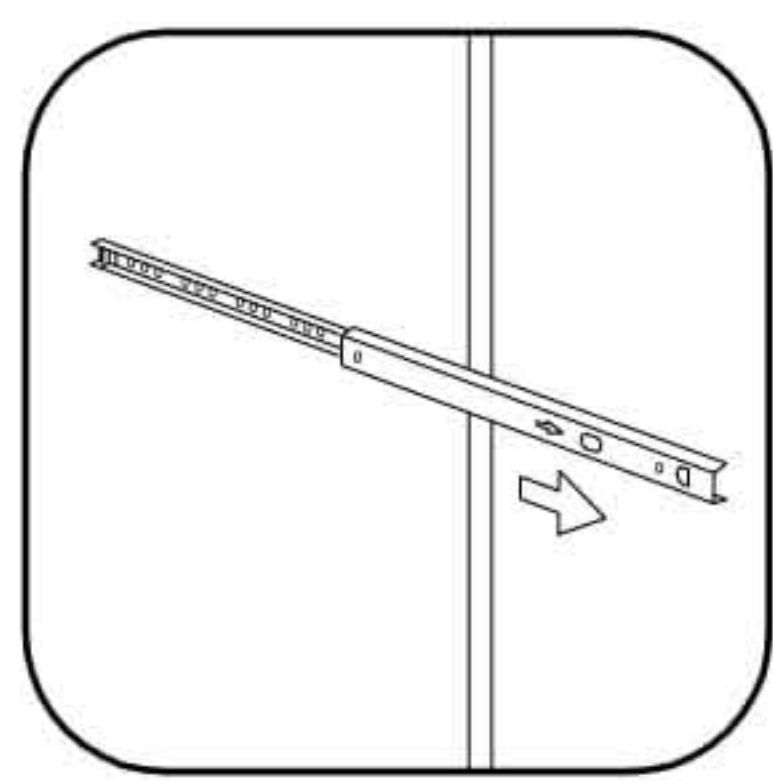
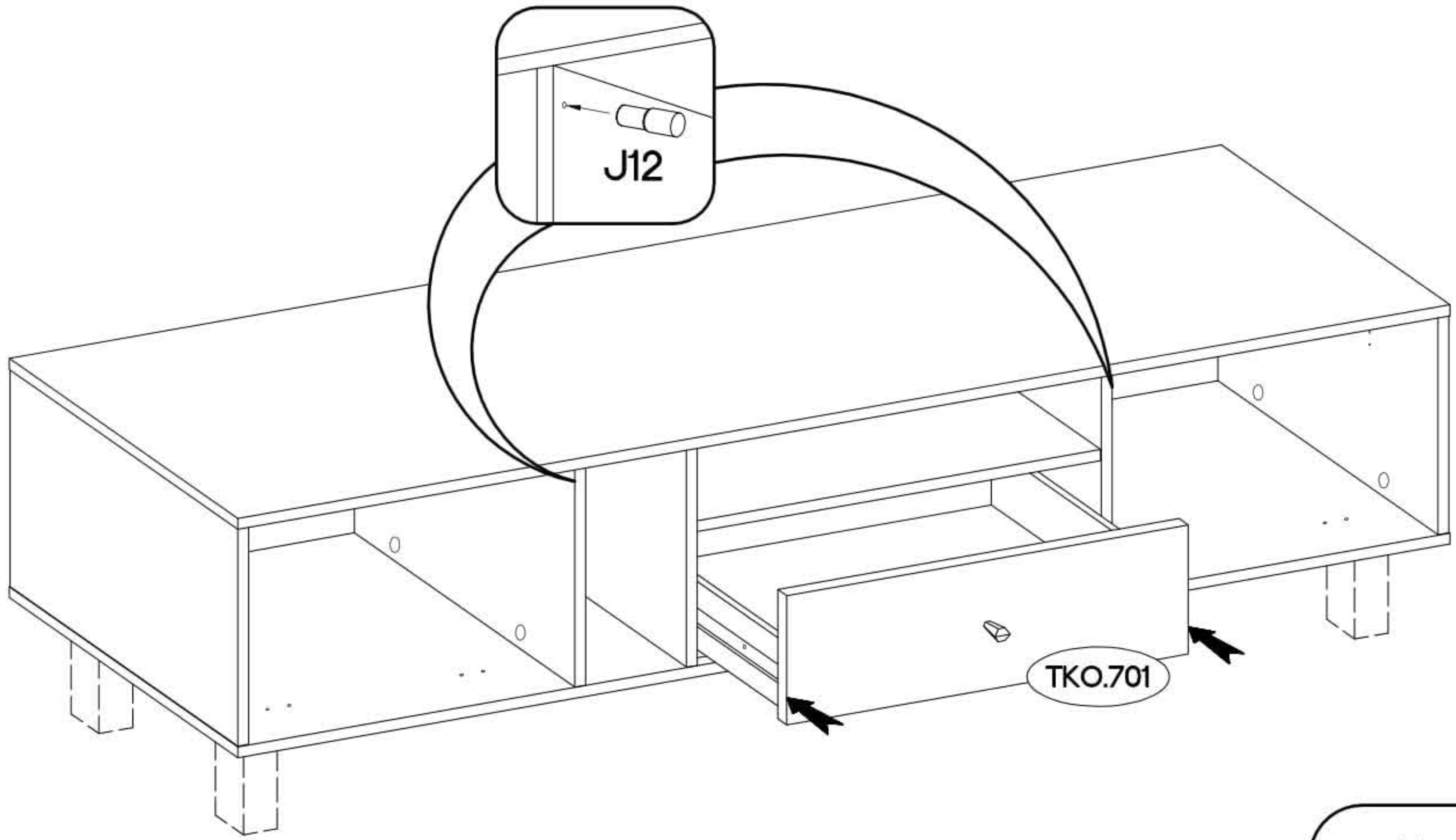


$\varnothing 10 \times 50 \text{mm}$ O7 2	$6,5/68 \text{mm}$ O4 2
---	---







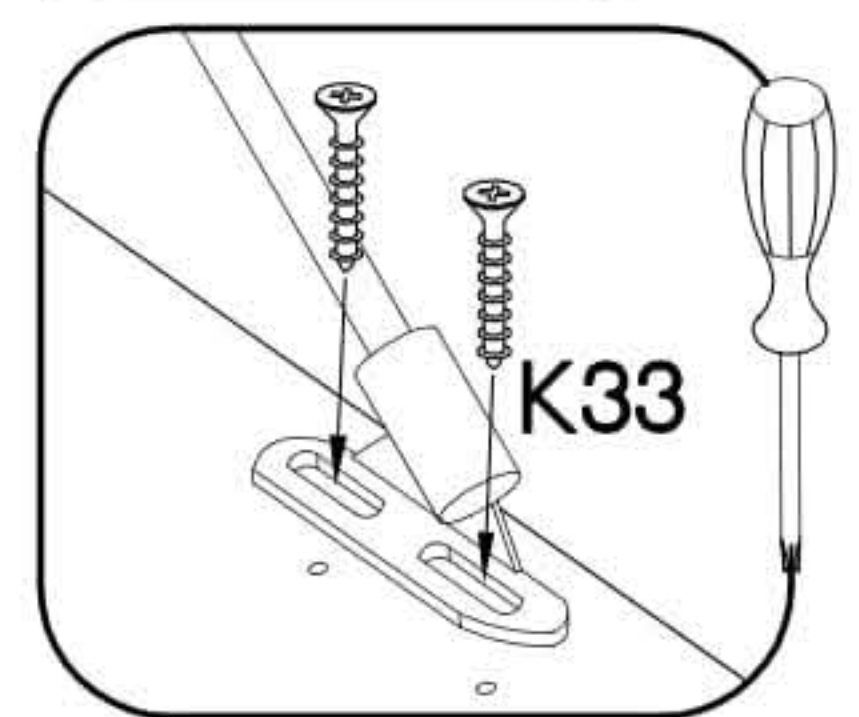
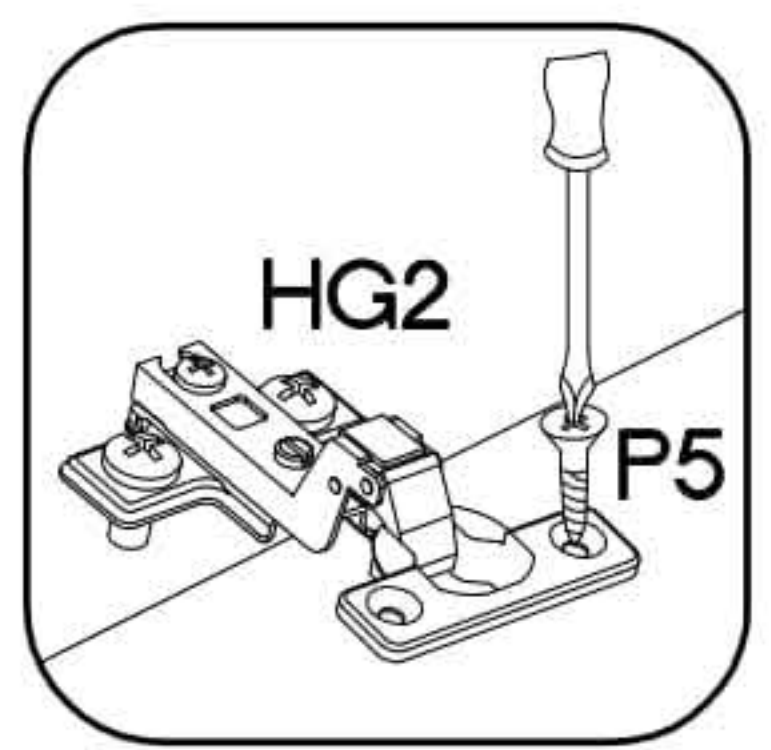
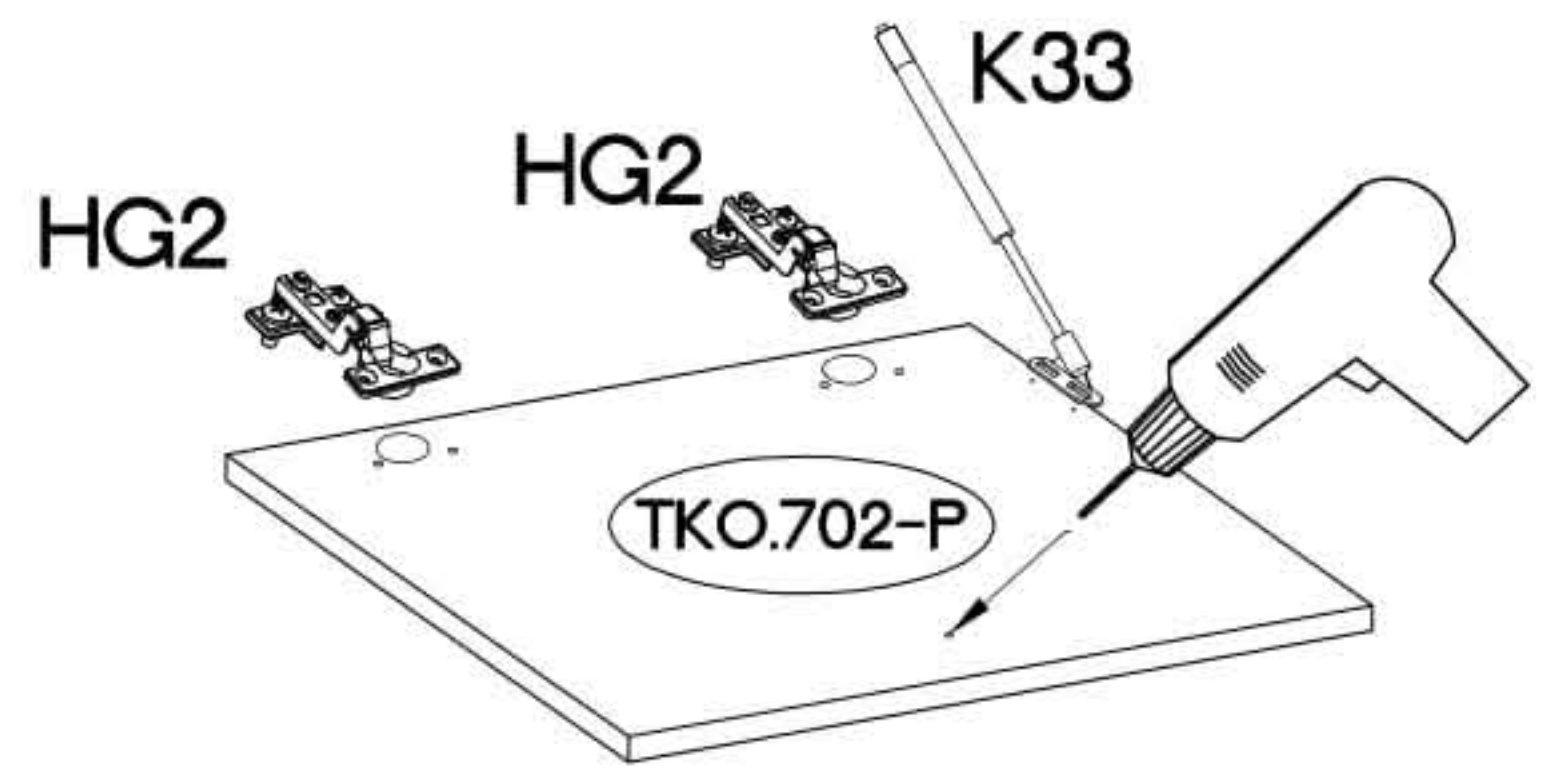
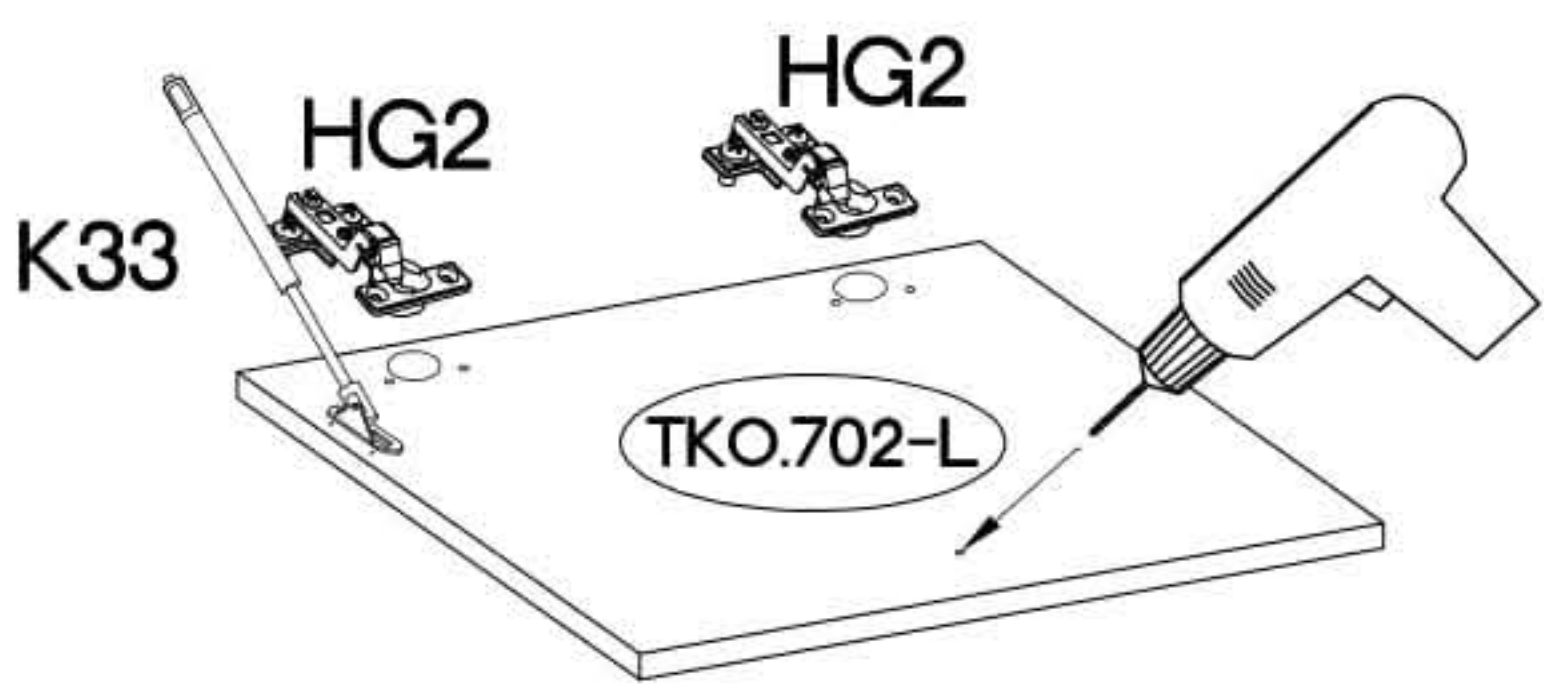
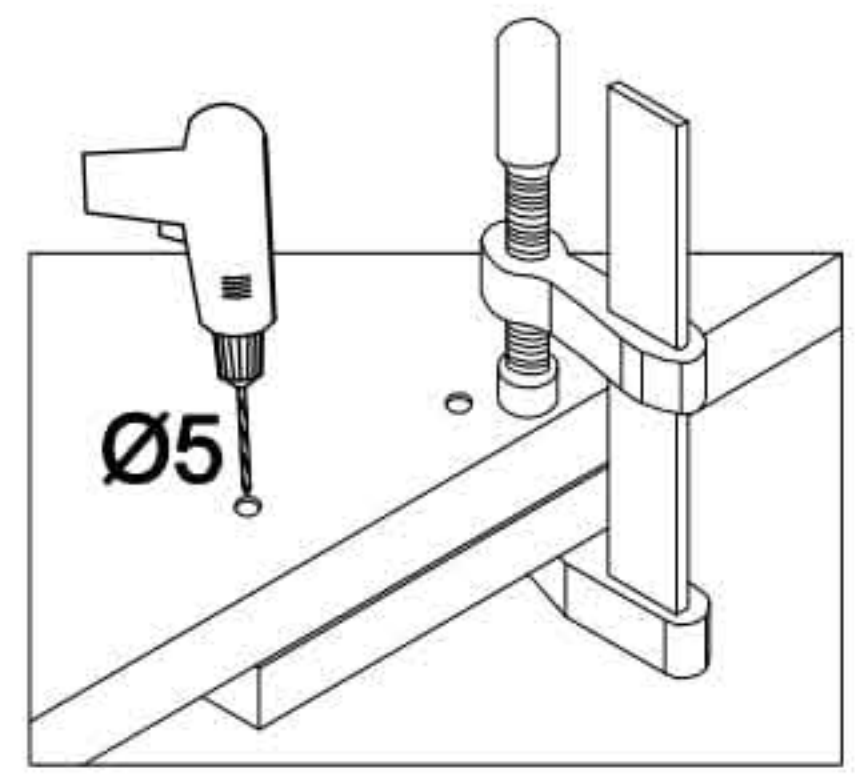
17

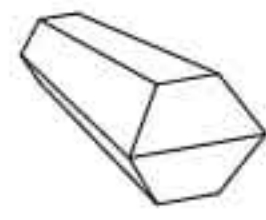

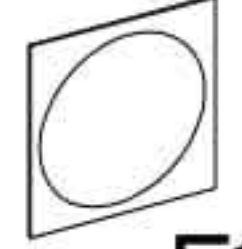
	M4x22mm 	M4x9mm 	
S	U	U1	J12
1	1	2	2



18

+35/16mm 	+3.5x13mm 	L=270mm 80 N 	BARKOWY 
HG2	P5	K33	K33
4	8	2	



	M4x22mm 	+20 
S	U	E11
2	2	18

