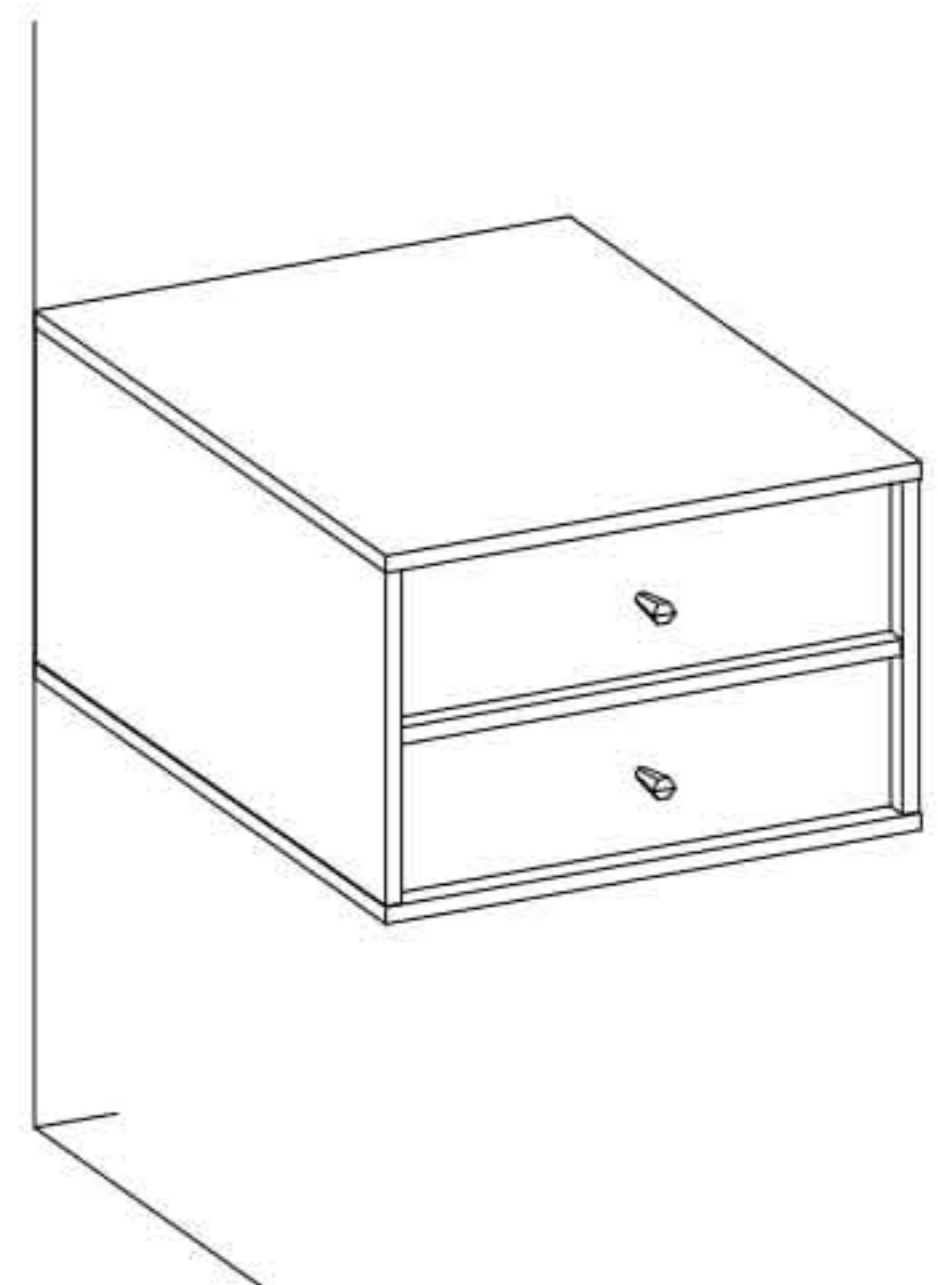
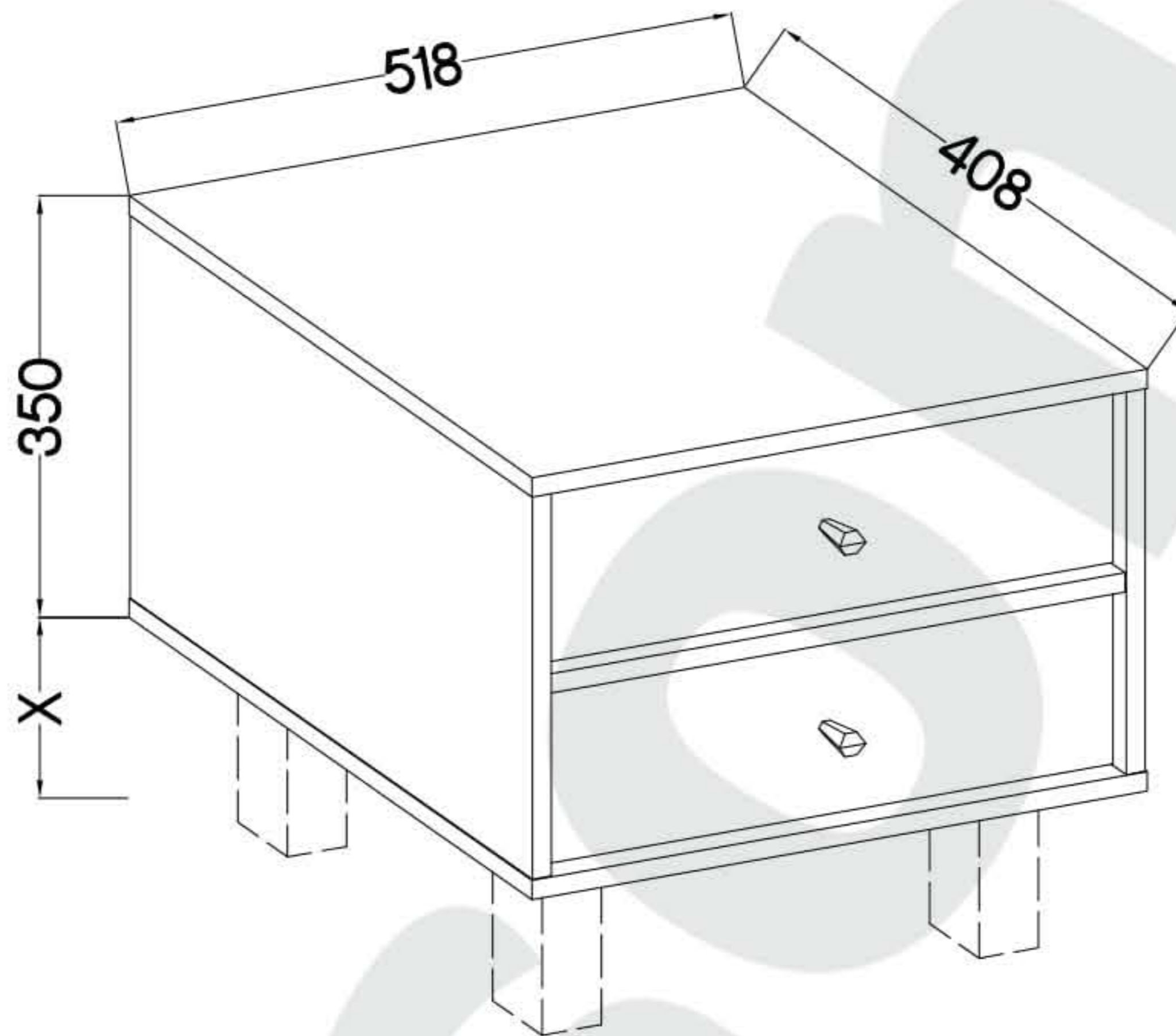
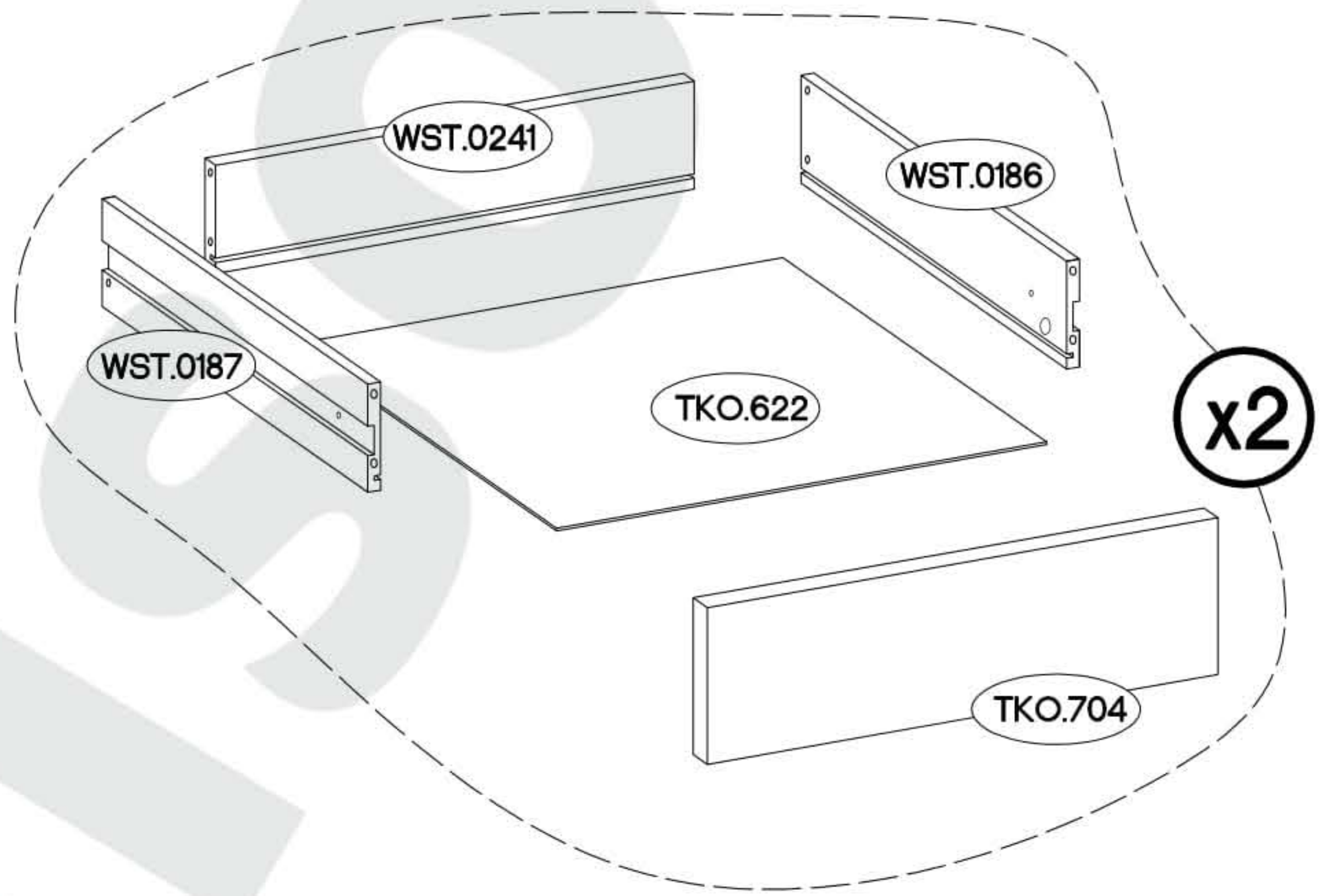
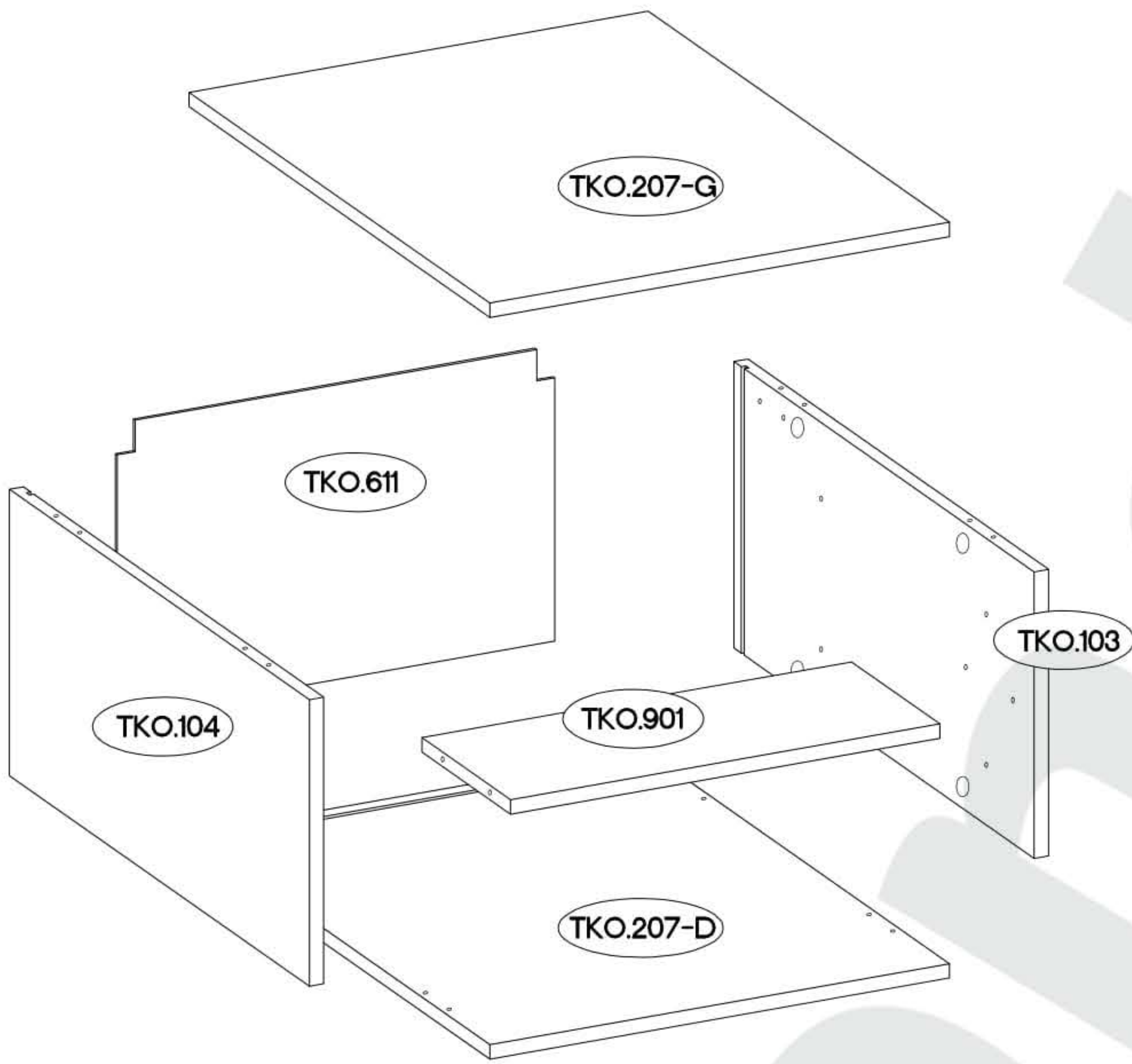


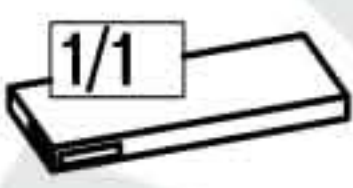
TYP 801



 <b>A</b> 18	 <b>B2</b> 4	 <b>C</b> 10	 <b>C5</b> 4	 <b>D2</b> 14	 <b>L</b> 2	 <b>K25</b> 1	 <b>K26</b> 1	 <b>L</b> 8	 <b>M2</b> 8	 <b>O4</b> 2	 <b>O7</b> 2	 <b>P8</b> 4	 <b>S</b> 2	 <b>U</b> 2	 <b>U1</b> 4
--------------------	--------------------	--------------------	--------------------	---------------------	-------------------	---------------------	---------------------	-------------------	--------------------	--------------------	--------------------	--------------------	-------------------	-------------------	--------------------

ISM-TKO-004



	Ersatzteil Nummer	Dimension
	TKO.103	318x407x16
	TKO.104	318x407x16
	TKO.207 x2	518x408x16
	TKO.901	484x120x16
	TKO.611	493x327x2,5
	TKO.622 x2	461x297x2,5
	WST.0186 x2	300x100x12
	WST.0187 x2	300x100x12
	WST.0241 x2	450x100x12
	TKO.704 x2	480x145x16


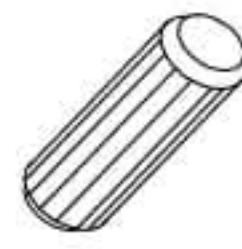


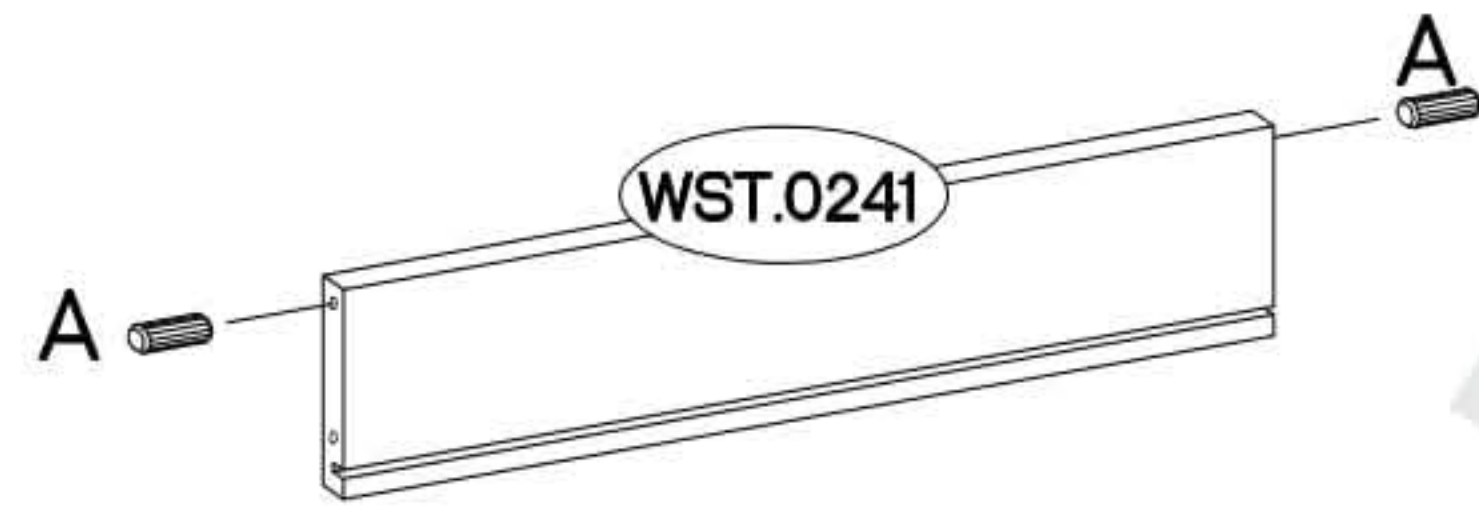
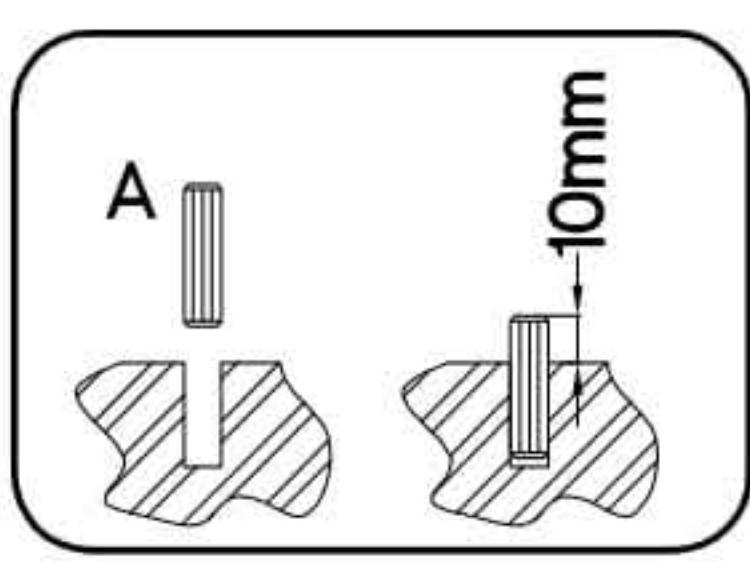
TKO.207



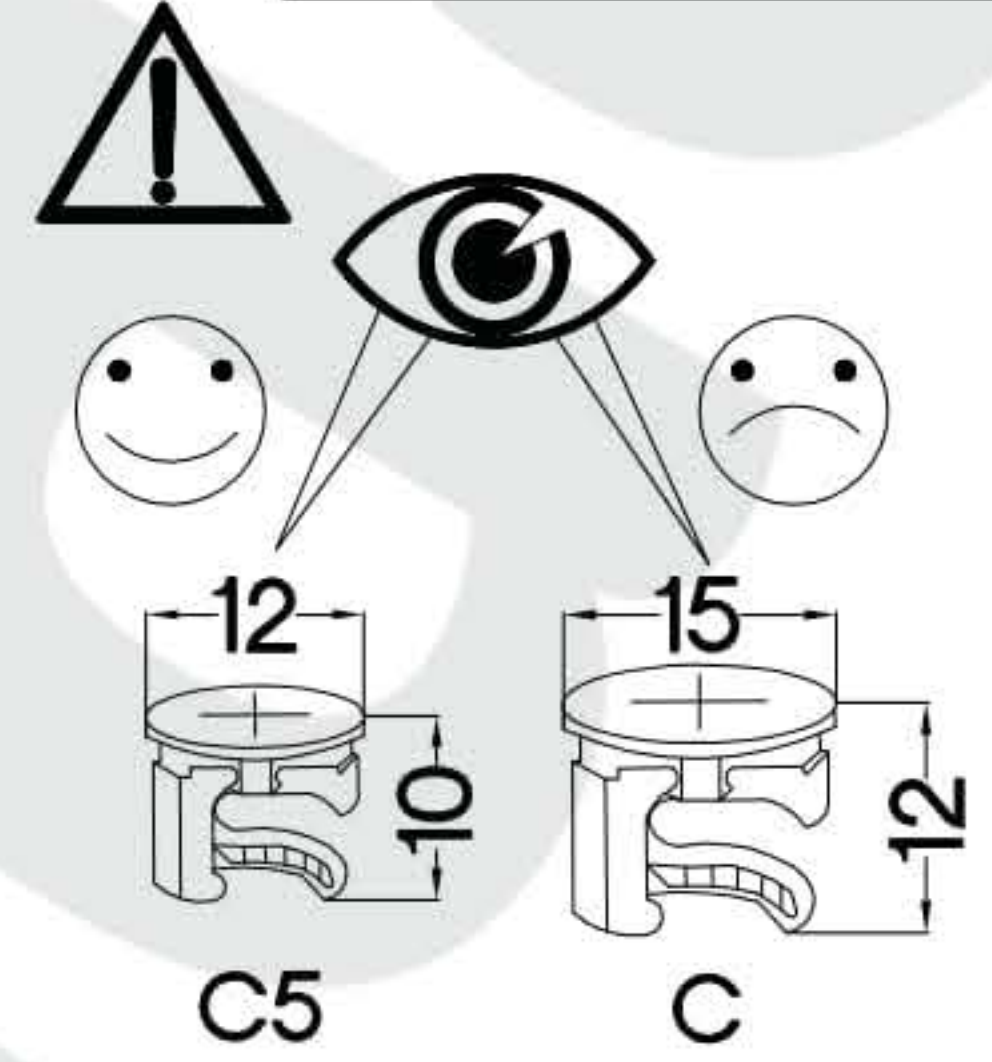
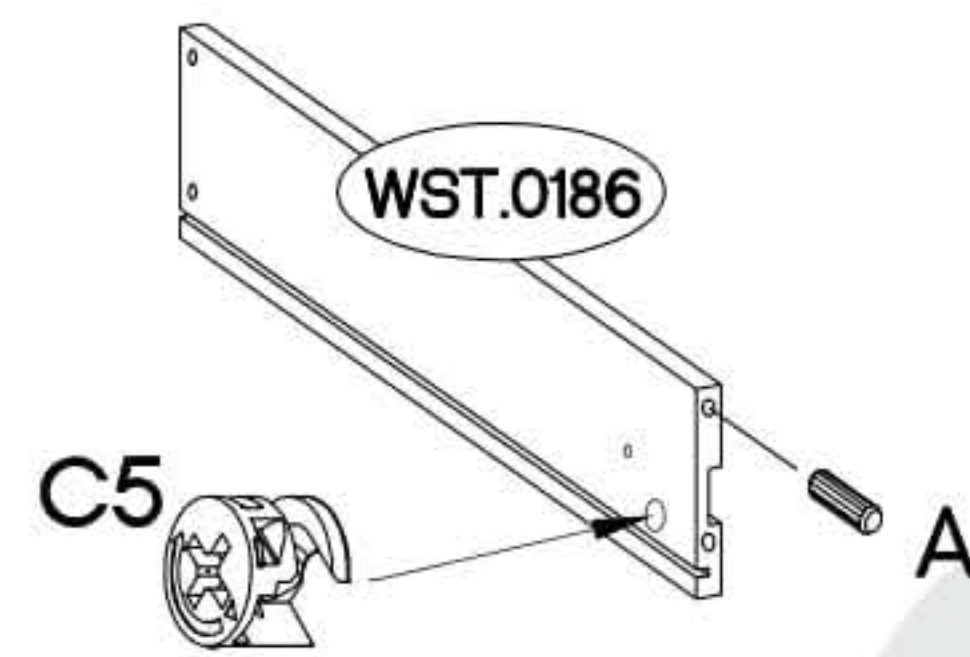
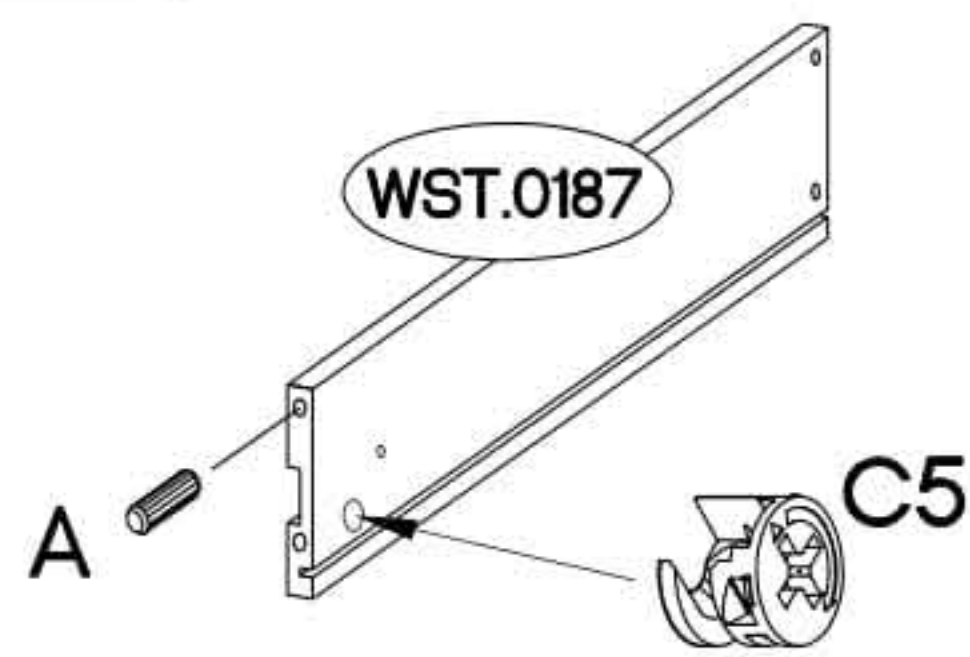
TKO.622

1

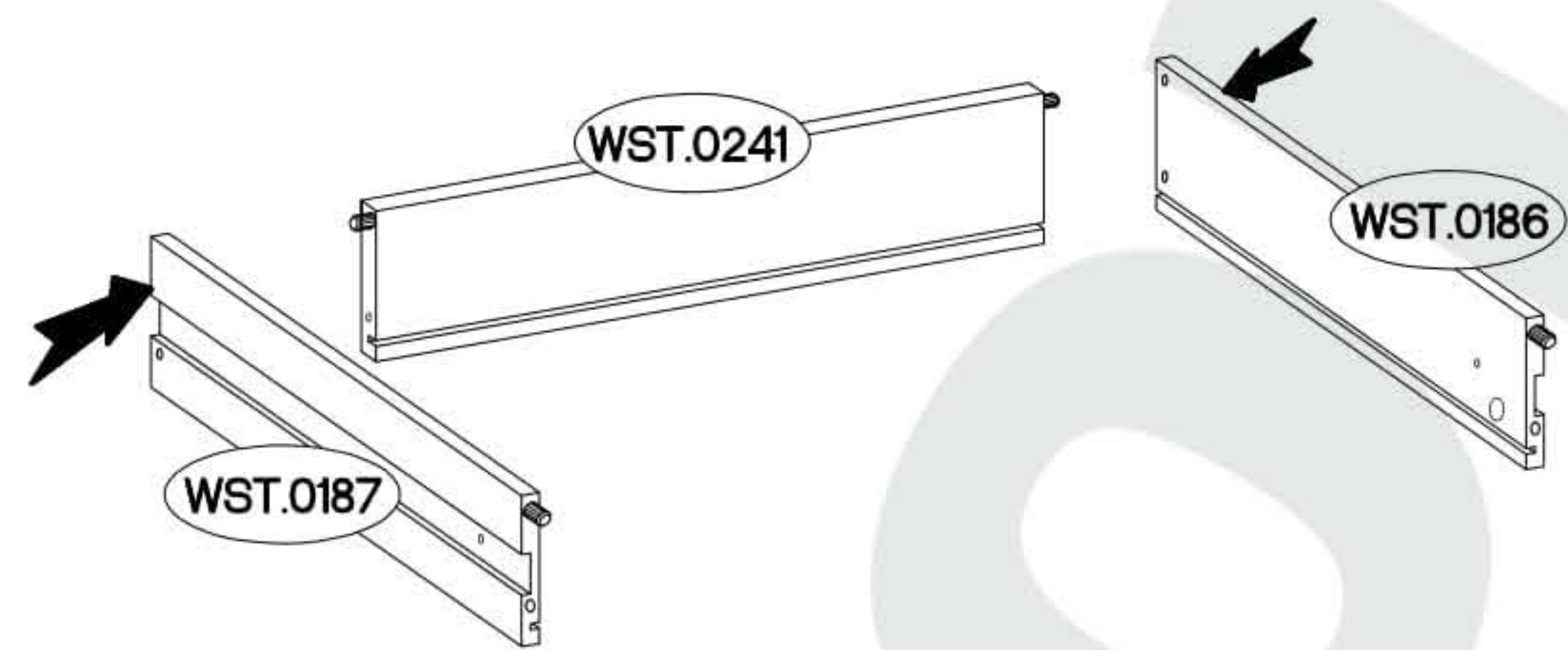
$\pm 12/10\text{mm}$  <b>C5</b> 4	$\pm 8 \times 30\text{mm}$  <b>A</b> 8
--	---




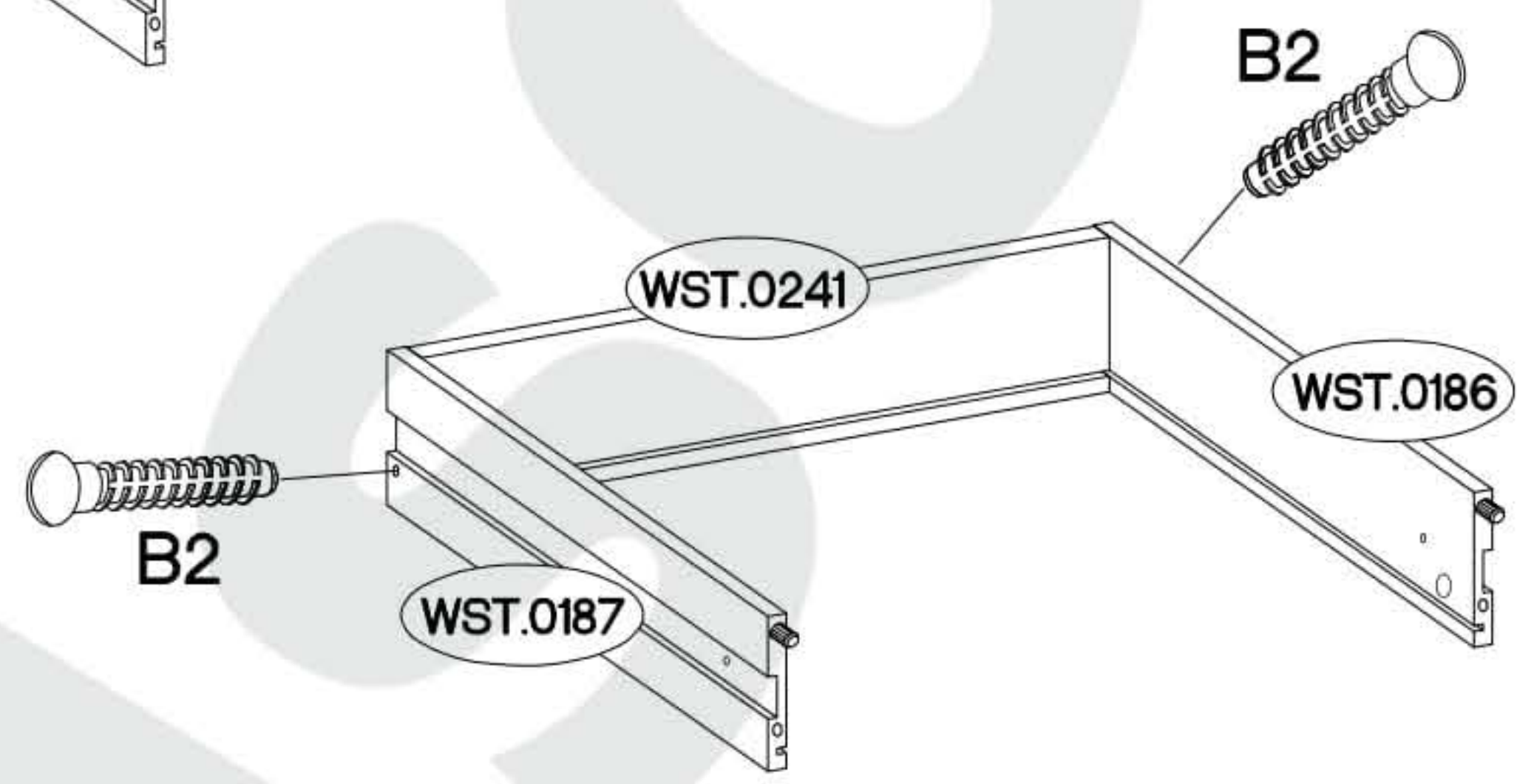
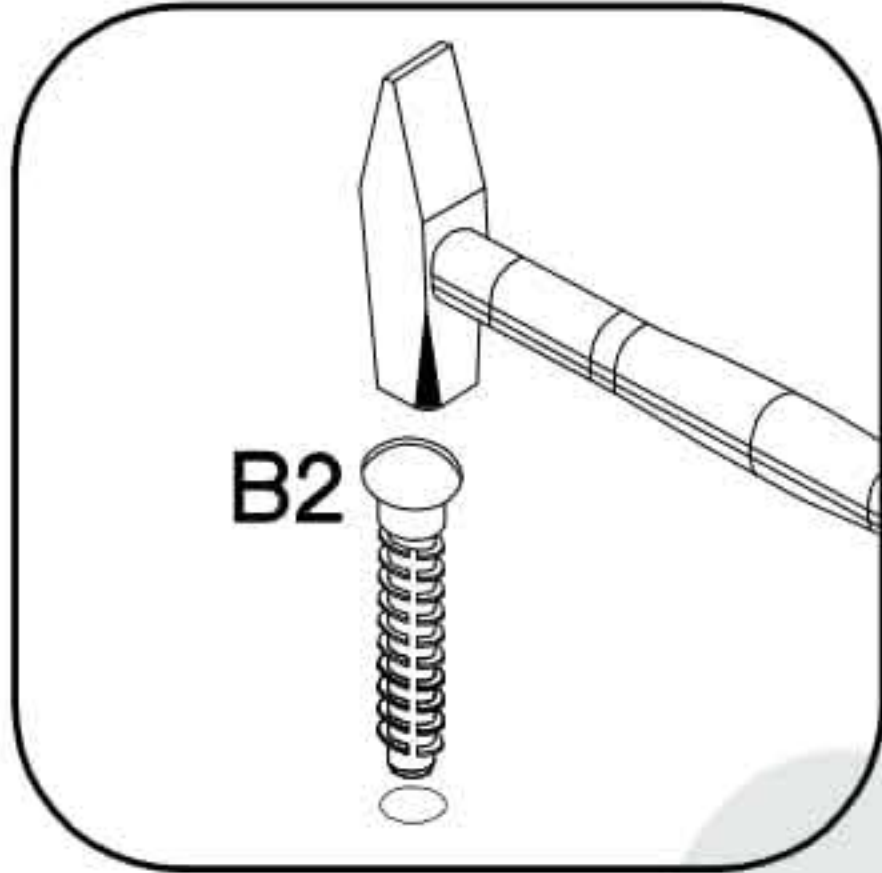
x2



2




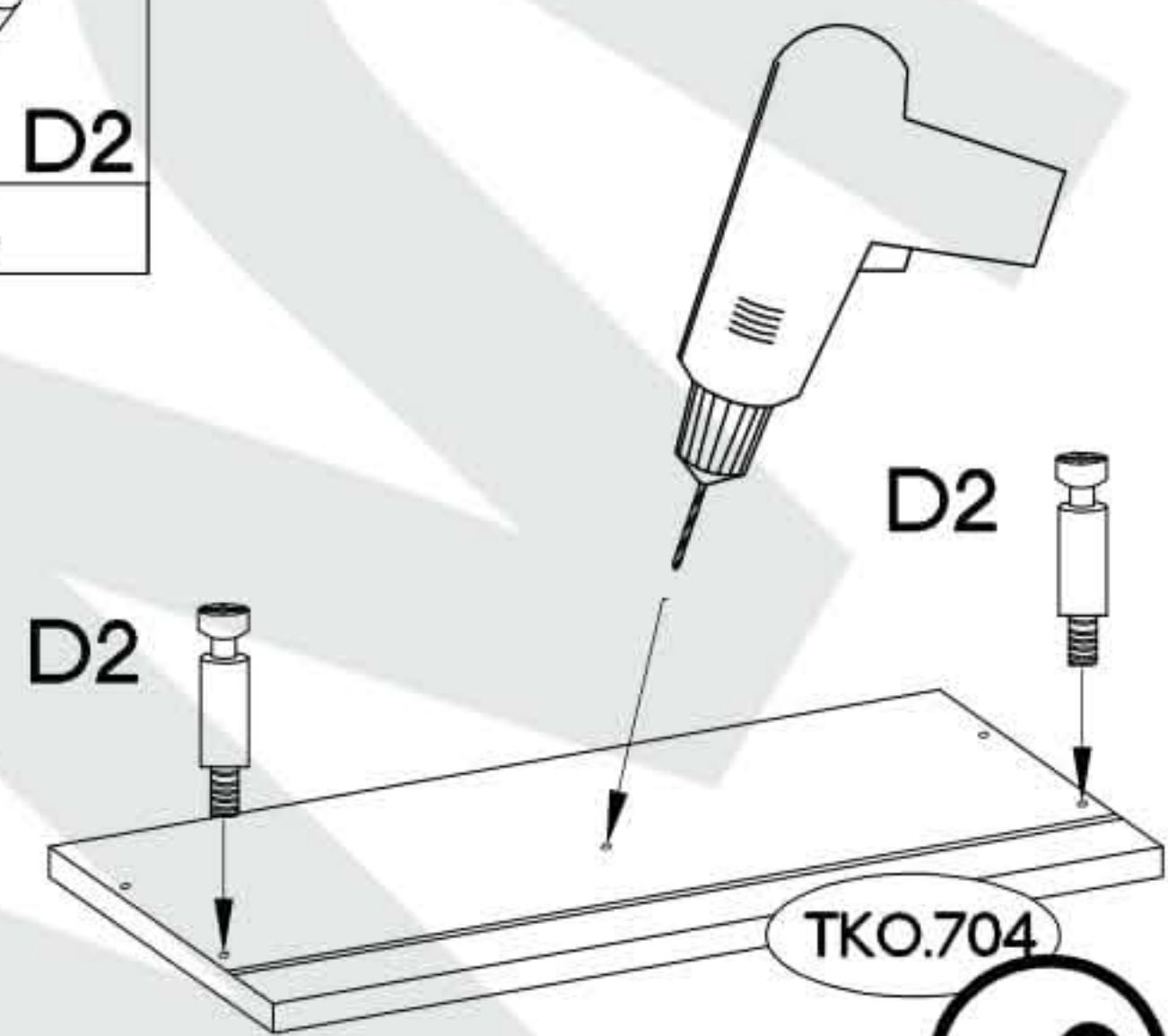
$\pm 6 \times 42\text{mm}$  <b>B2</b> 4
---



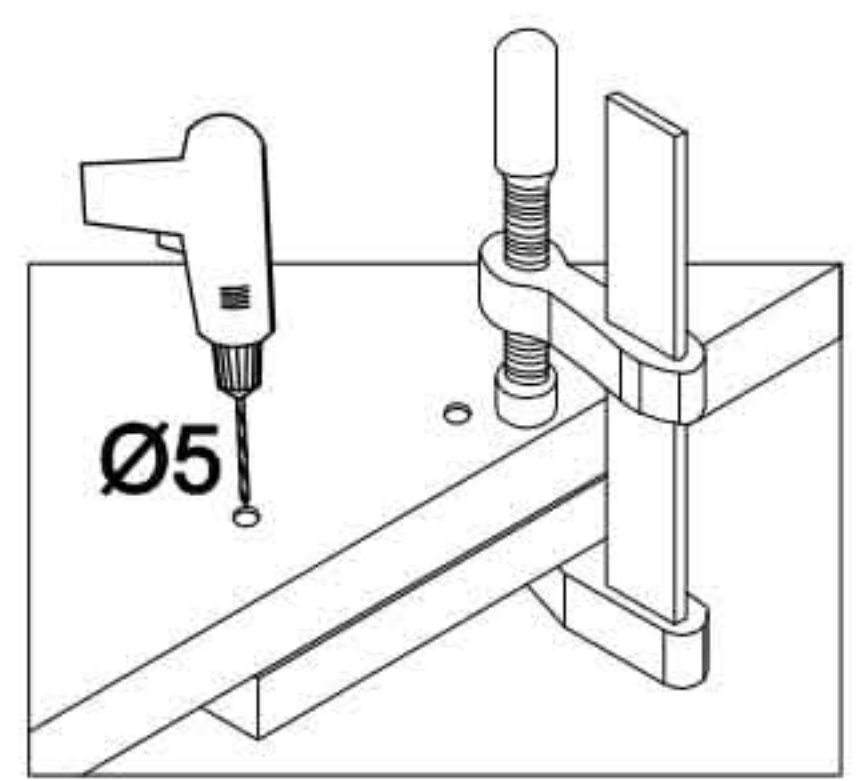
x2

3

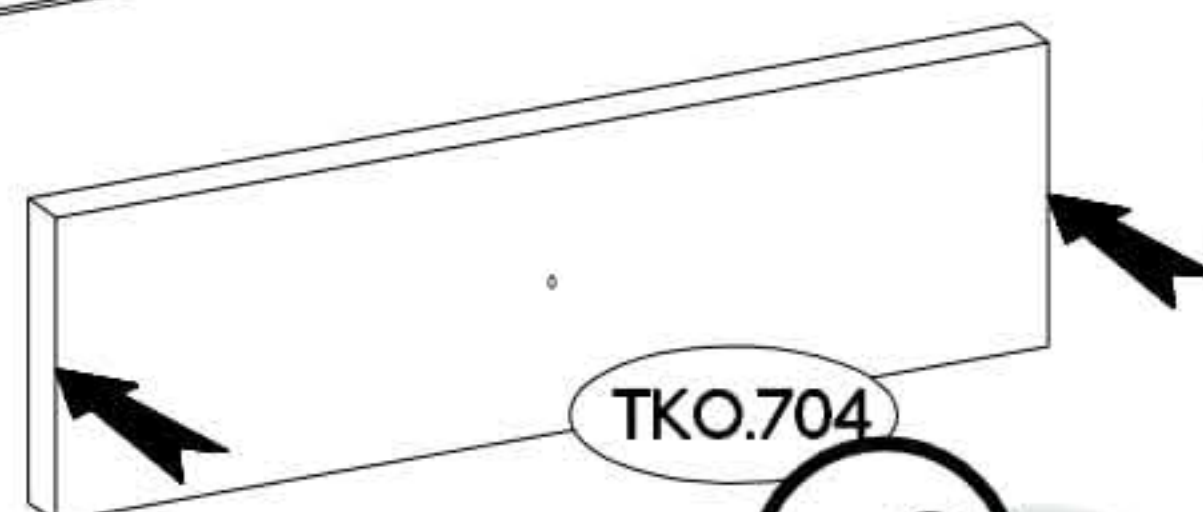
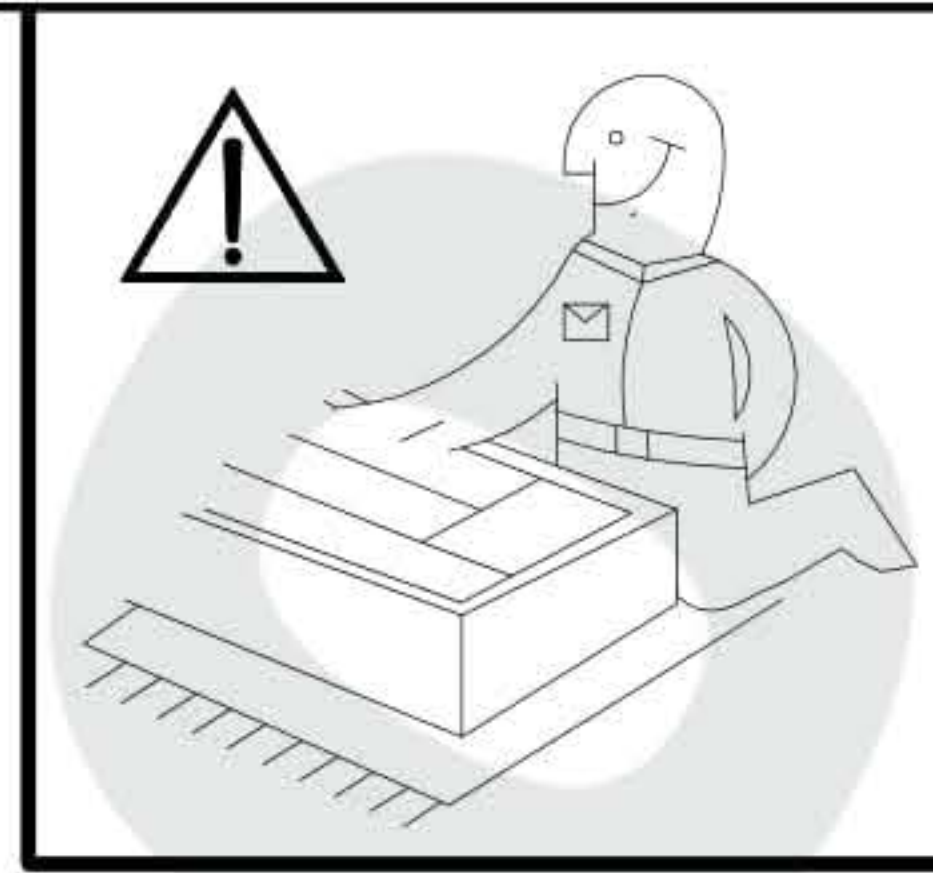
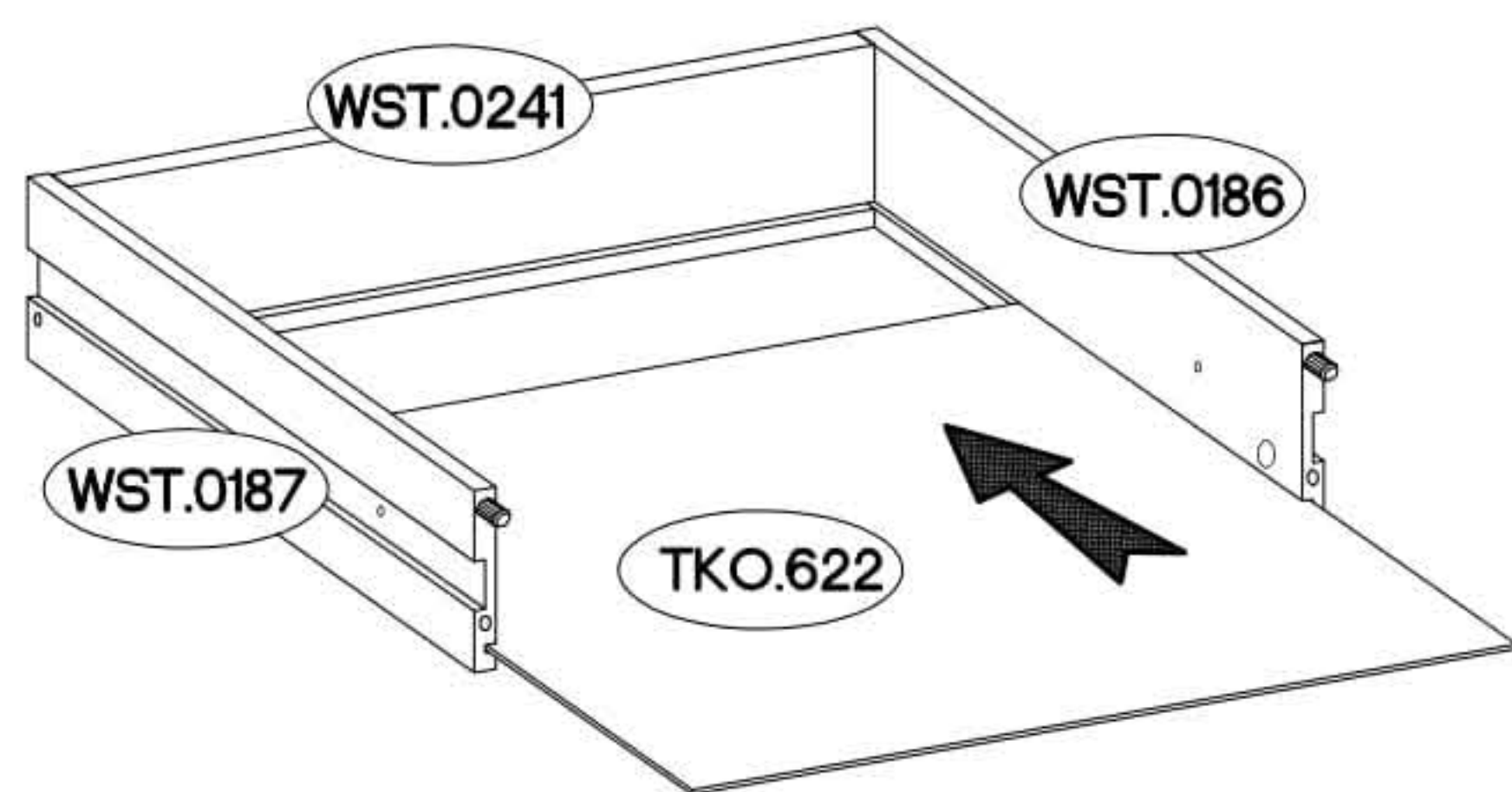
$L=20\text{mm}$  <b>D2</b> 4
--



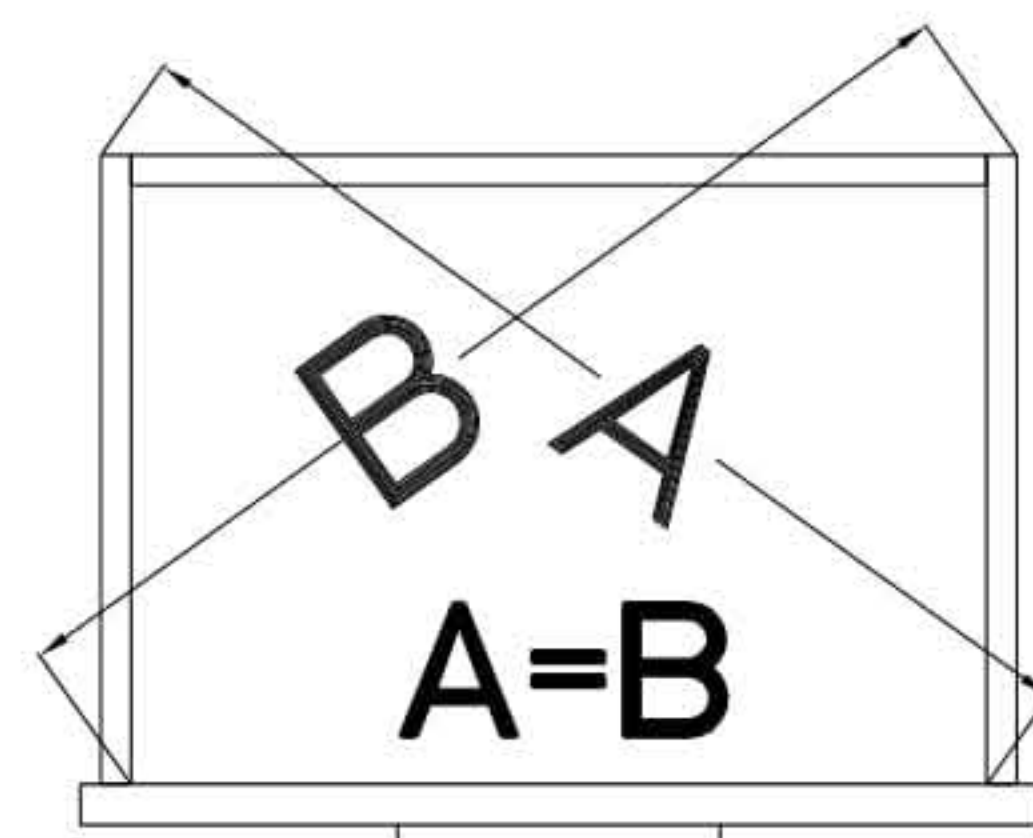
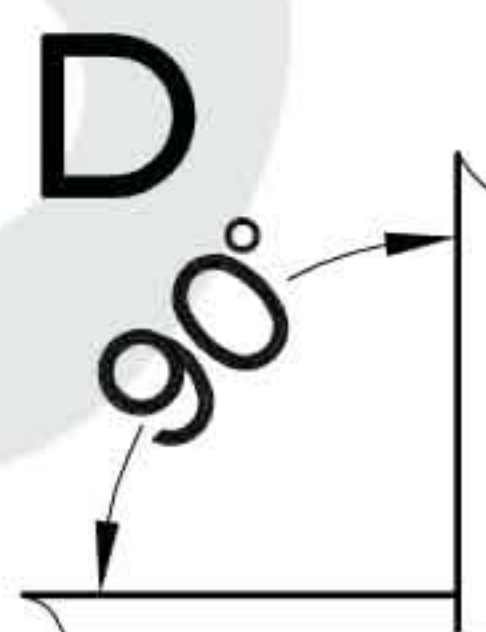
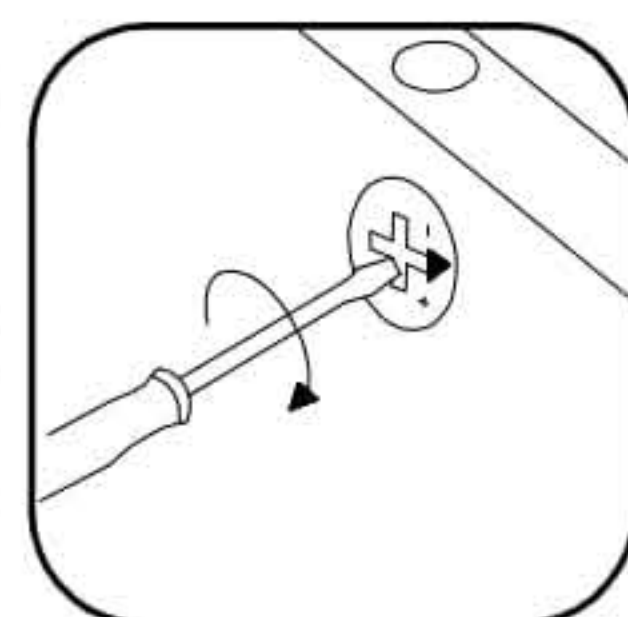
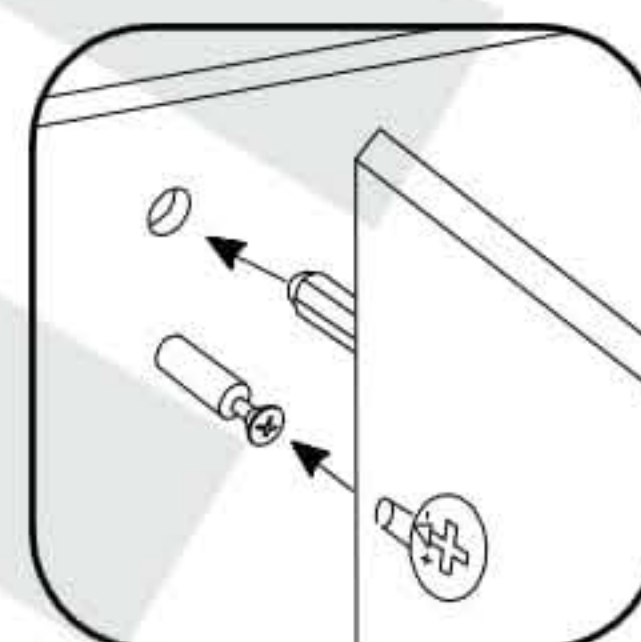
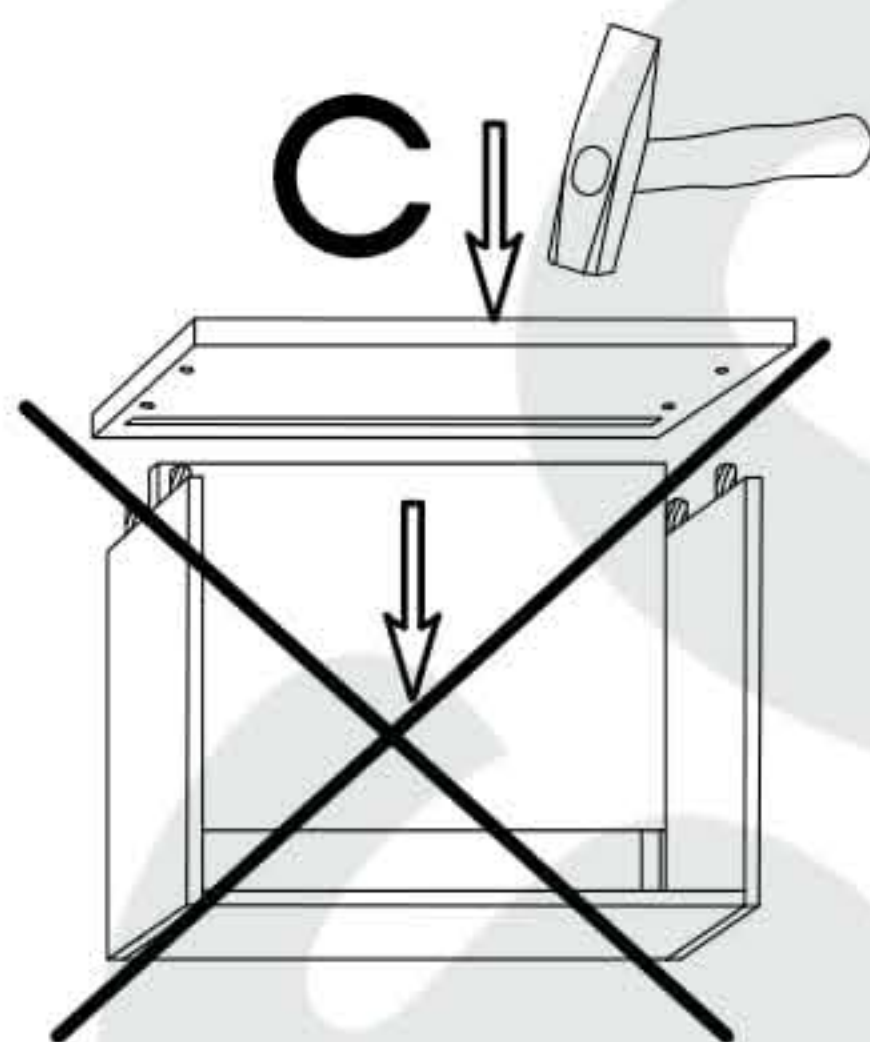
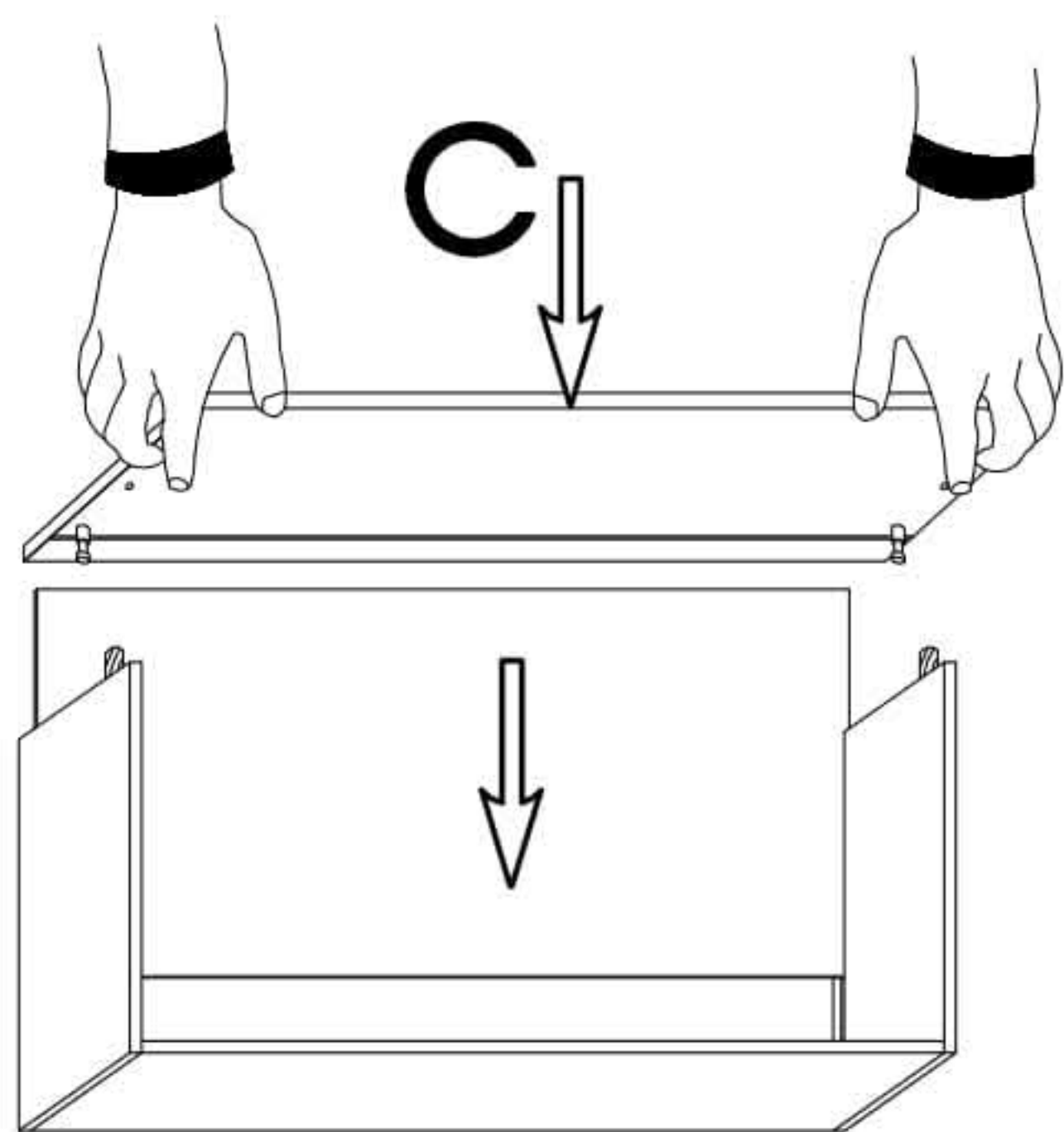
x2



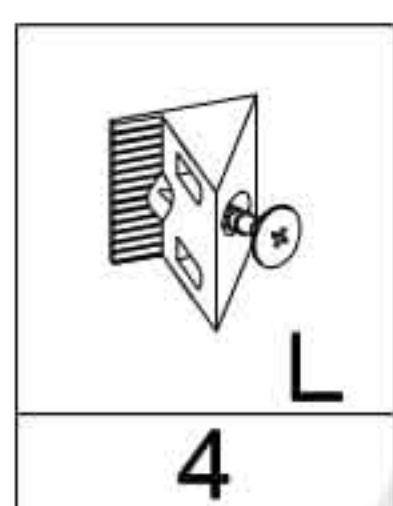
4



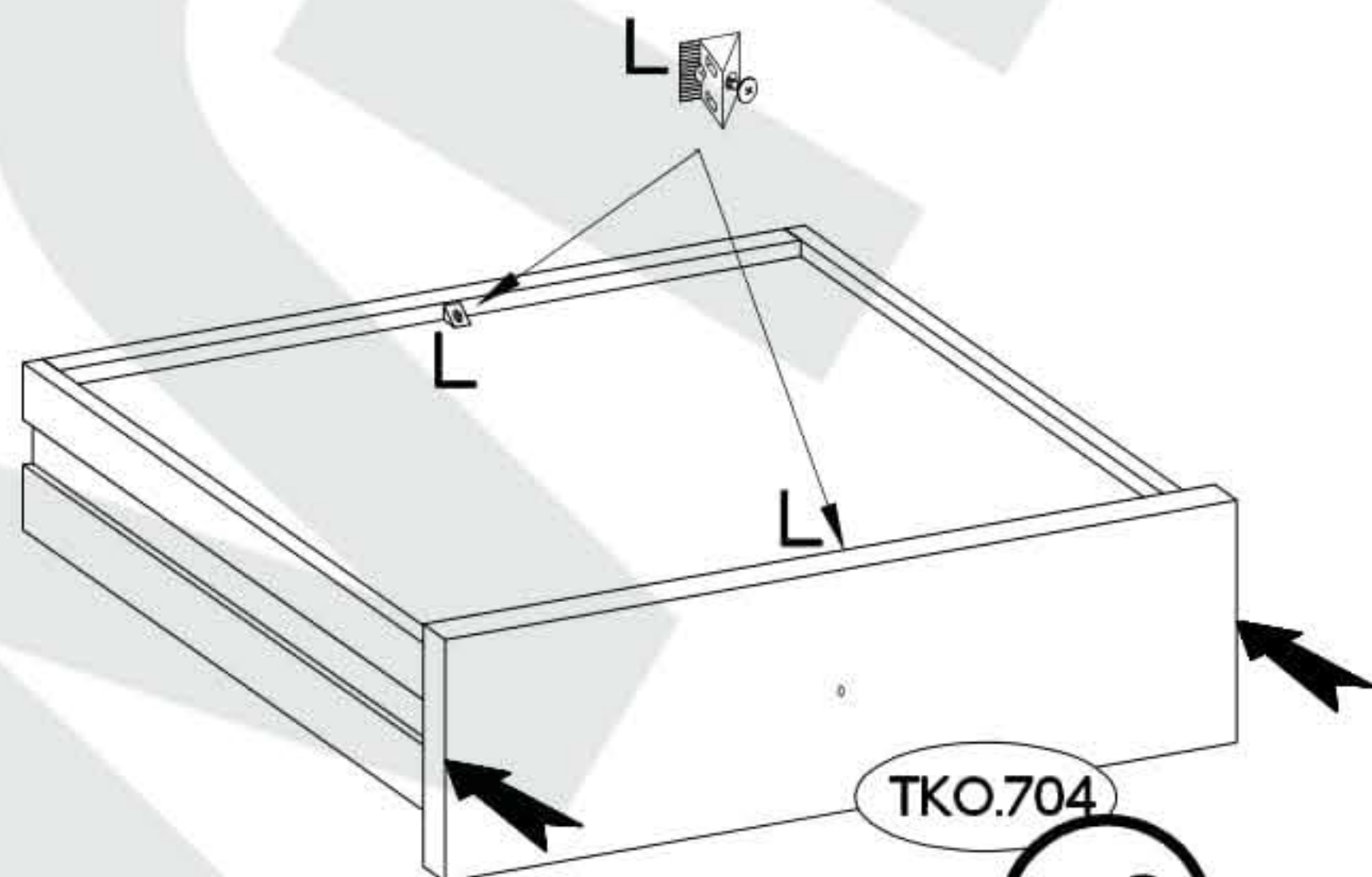
x2



5

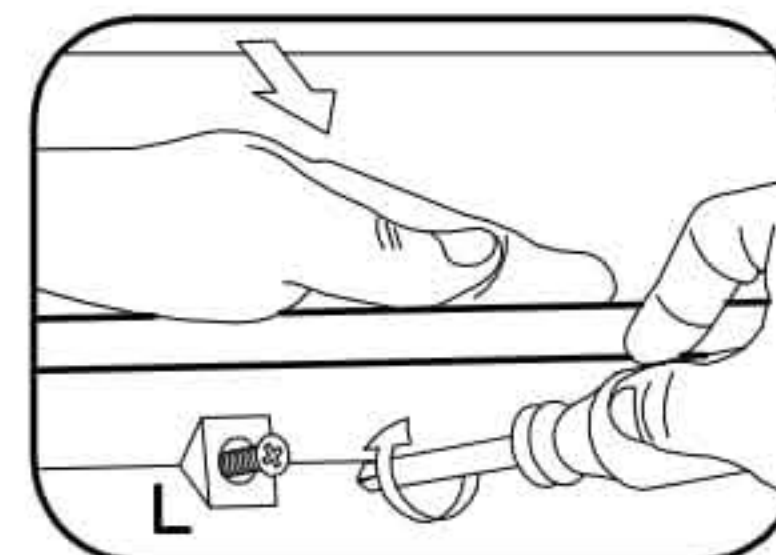
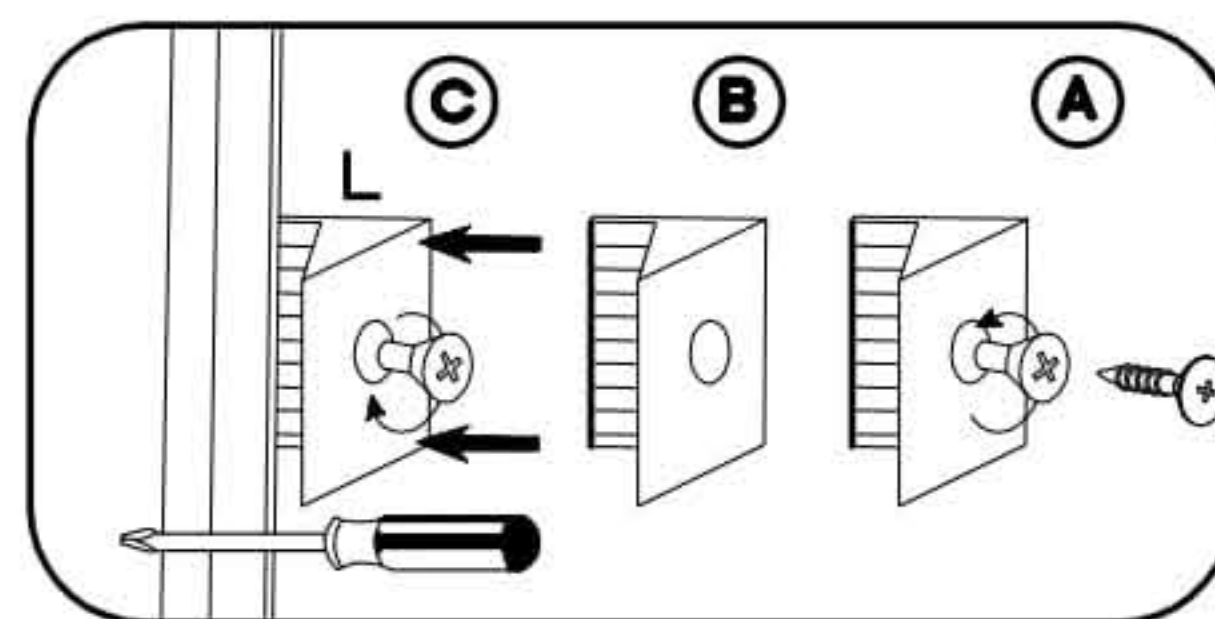


4

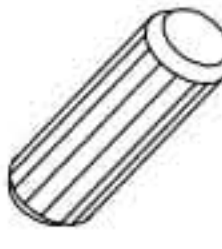


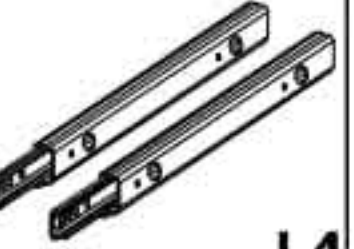






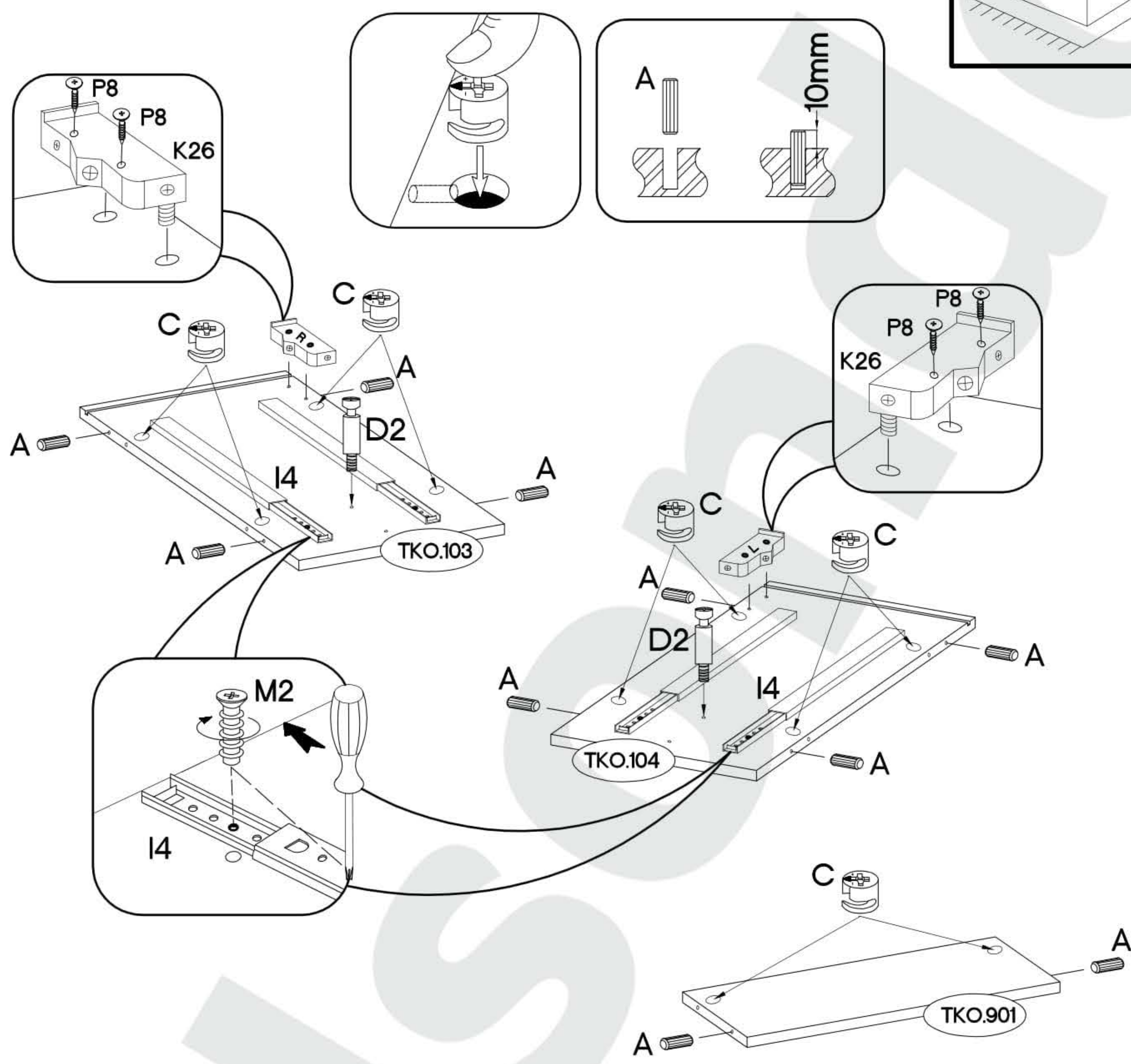
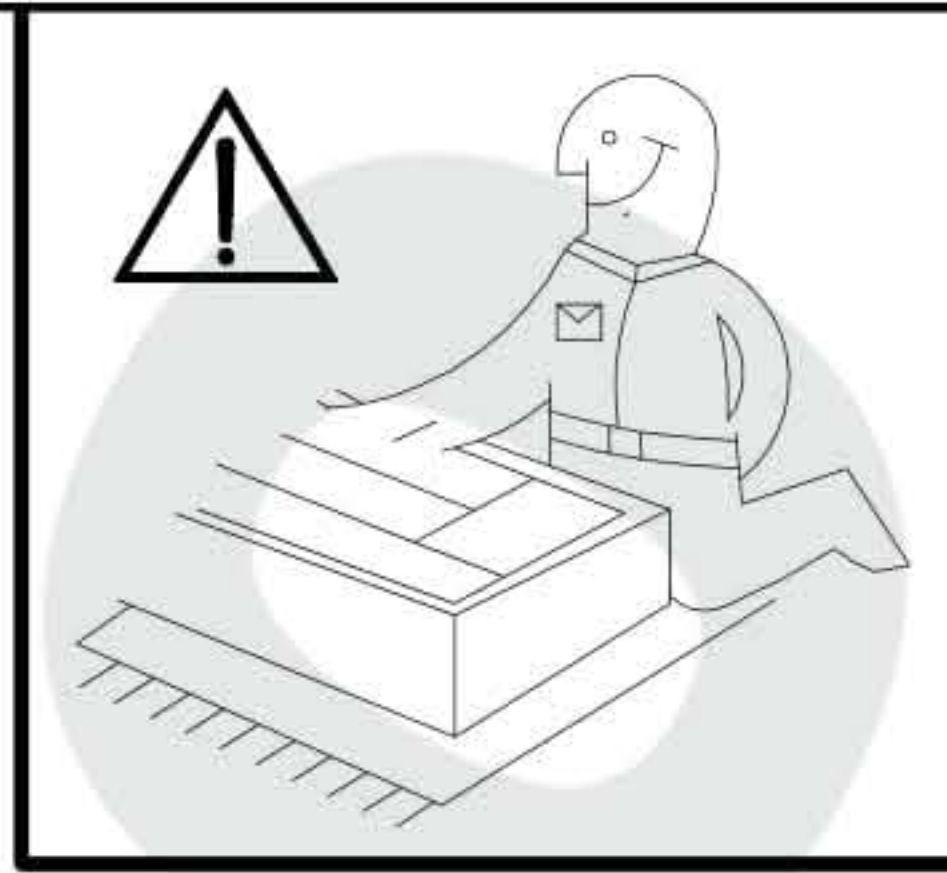
TKO.704

x2



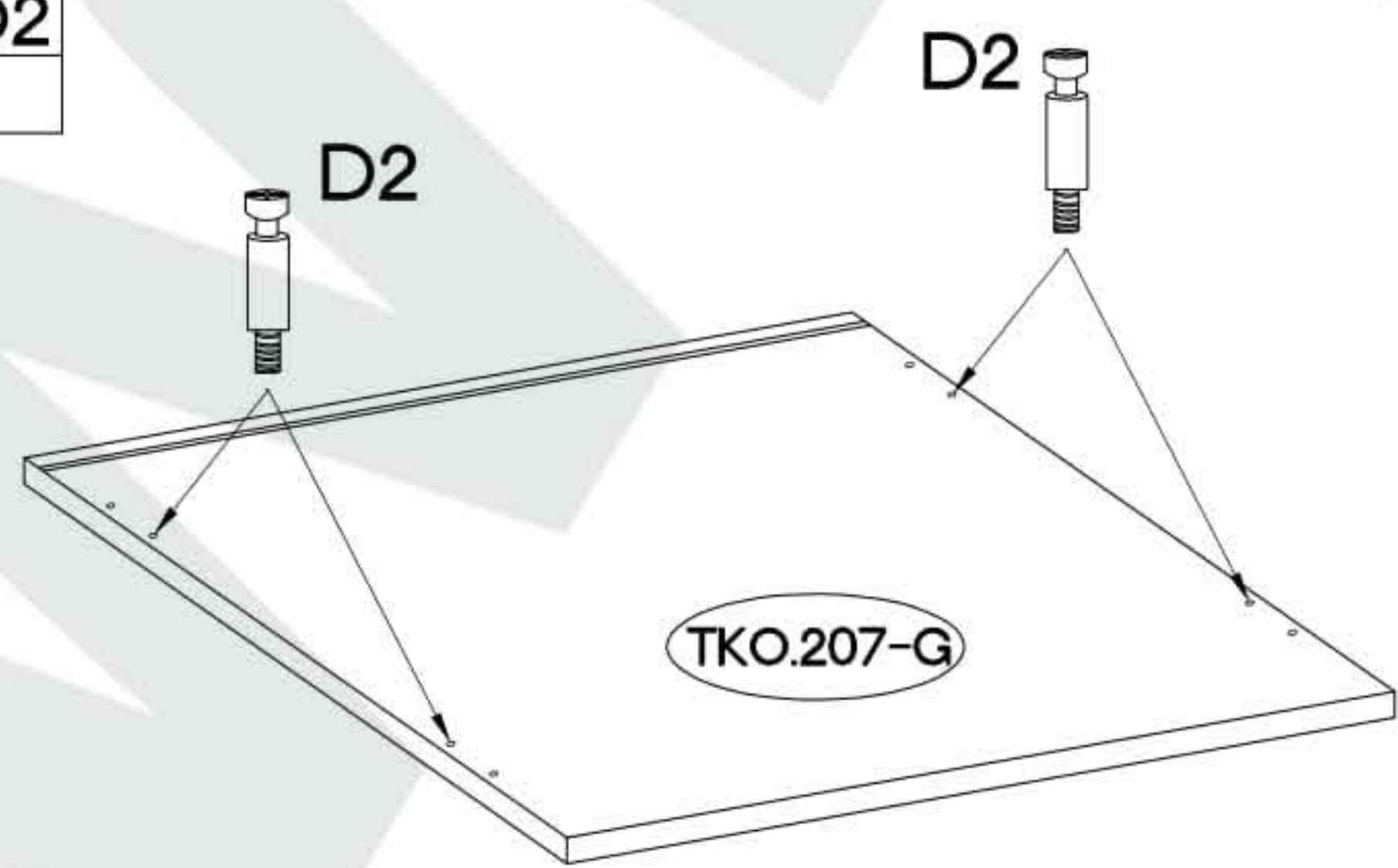
6

†8x30mm  A 10	†15/12mm  C 10	L=20mm  D2 2	27/310mm  I4 2	†6,3x13mm  M2 8	L  K25 1	R  K26 1	†4.0x30mm  P8 4
--	---	---	---	---	---	---	--

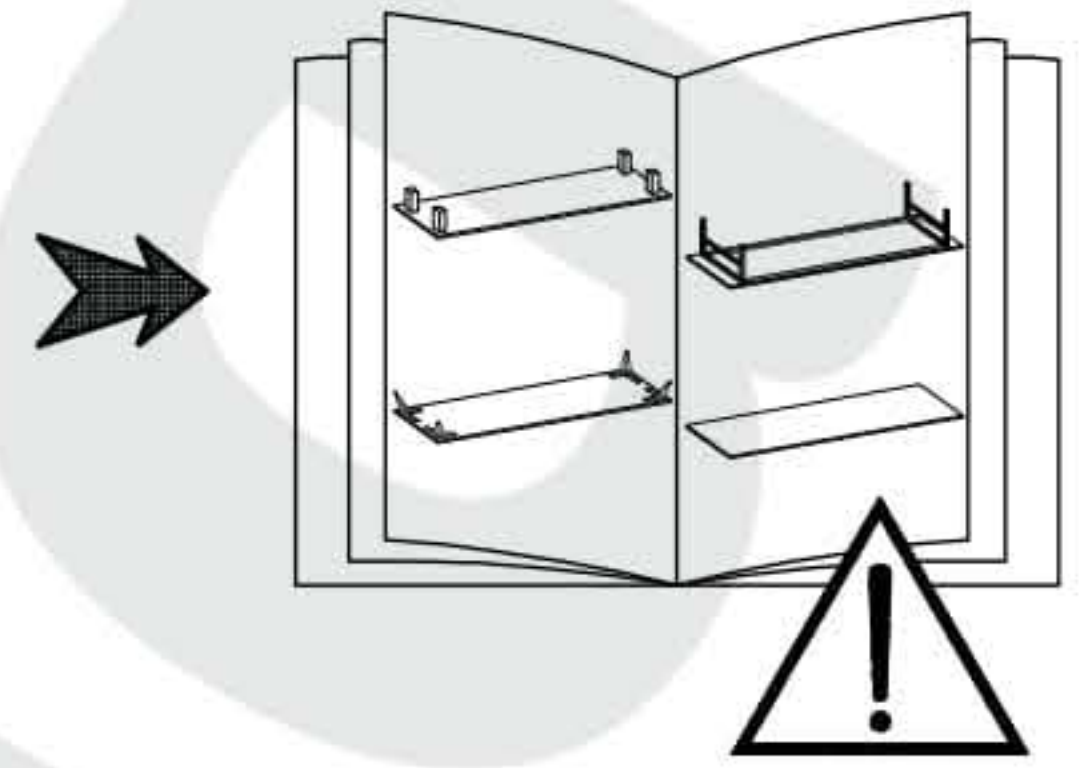
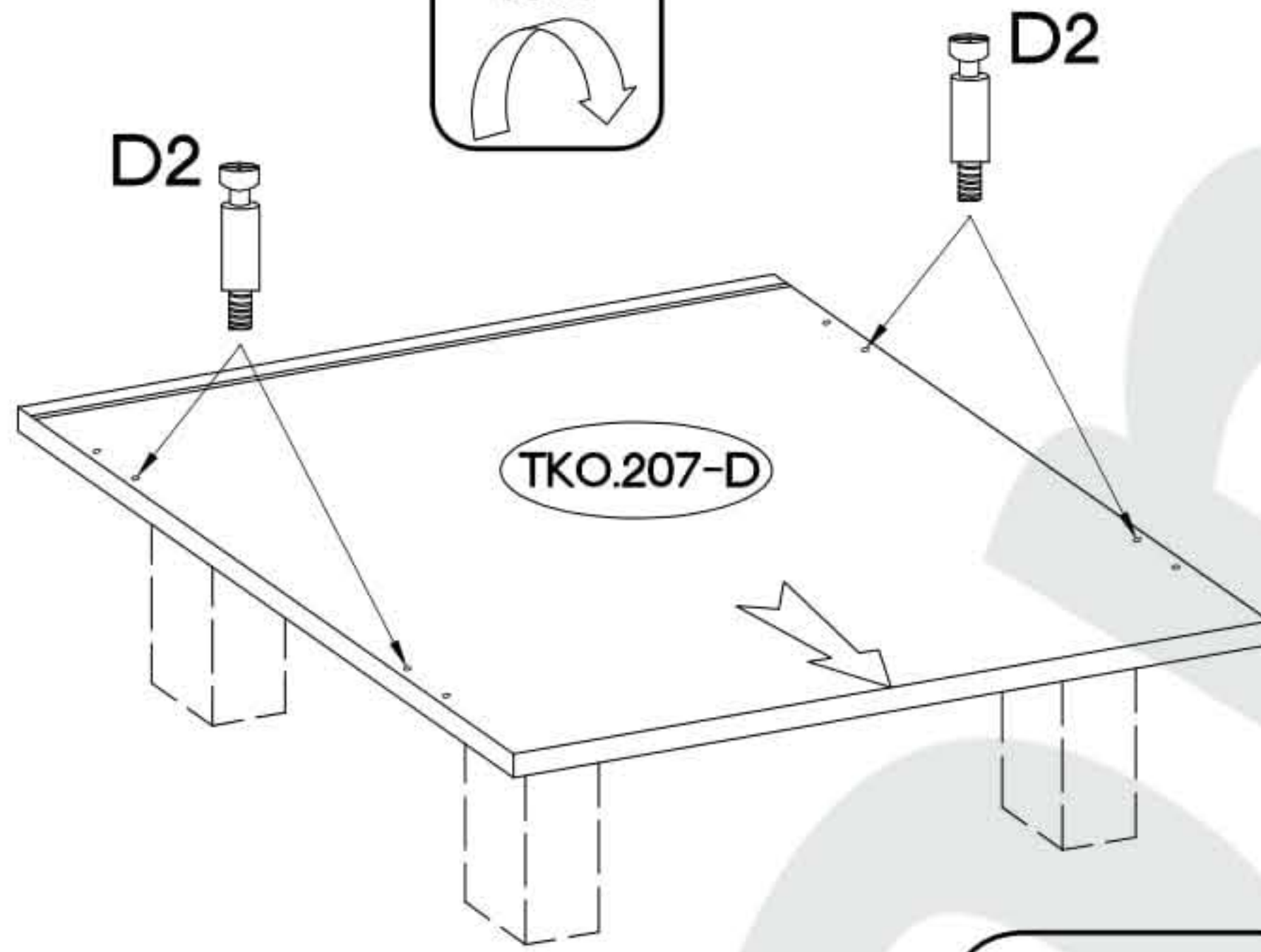
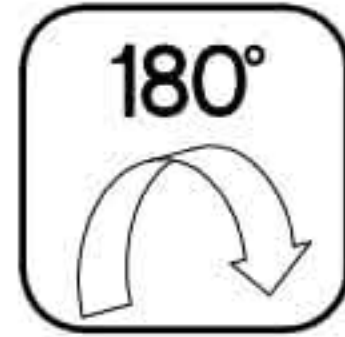
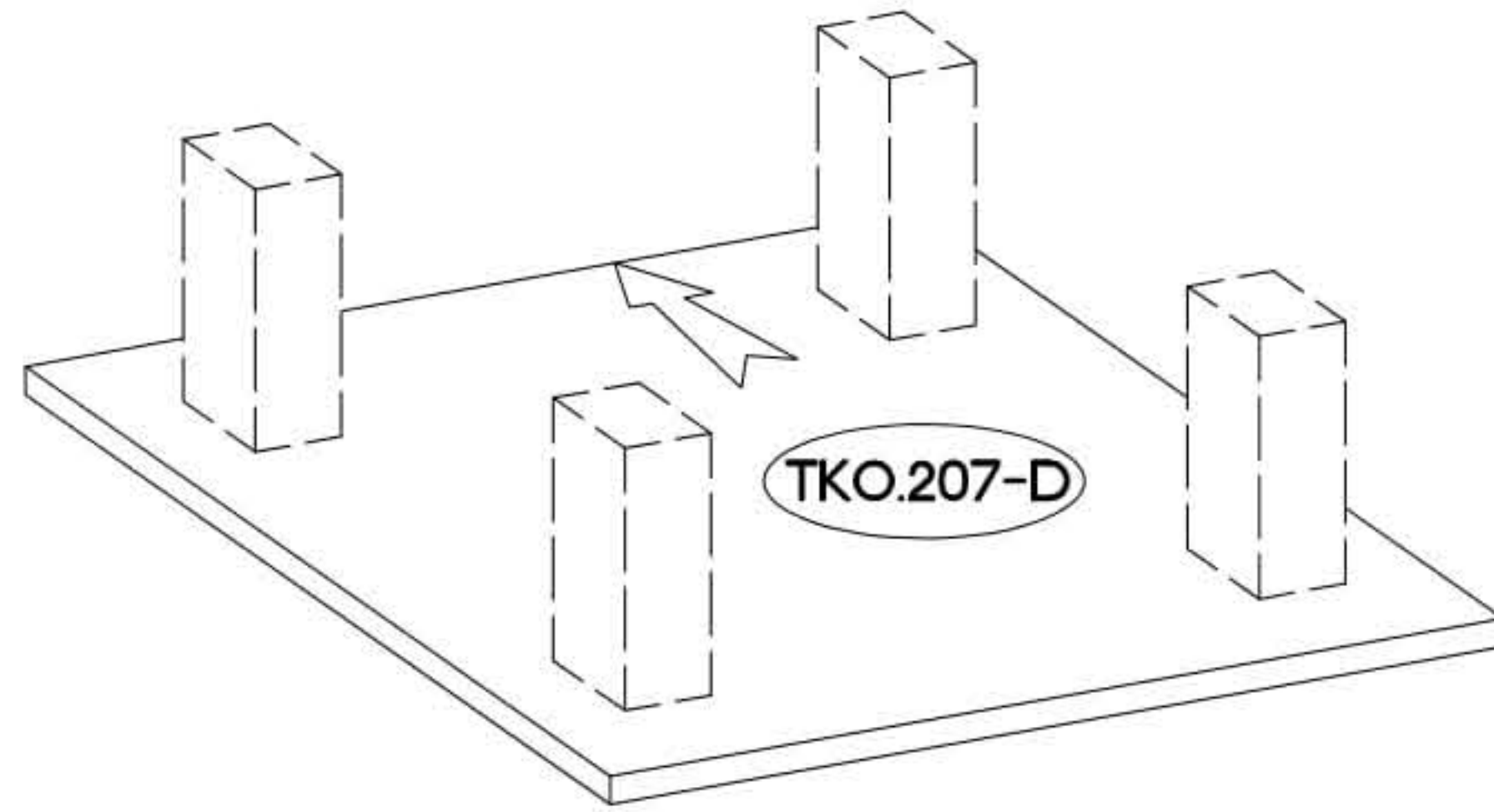
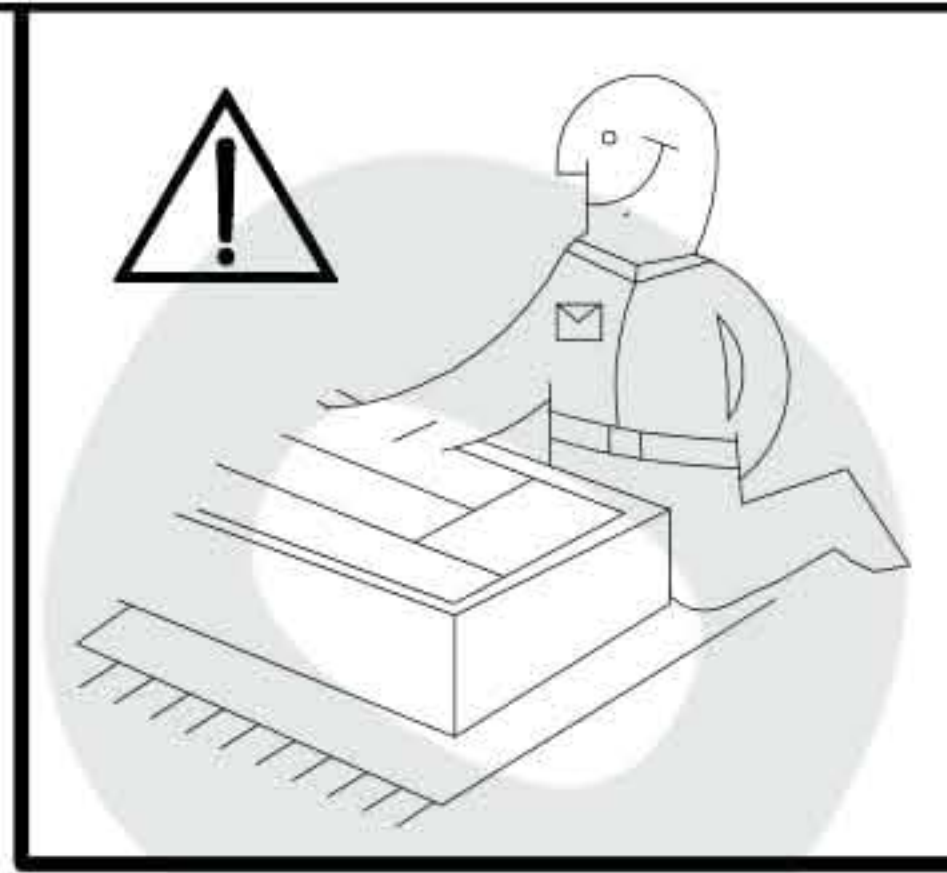


7

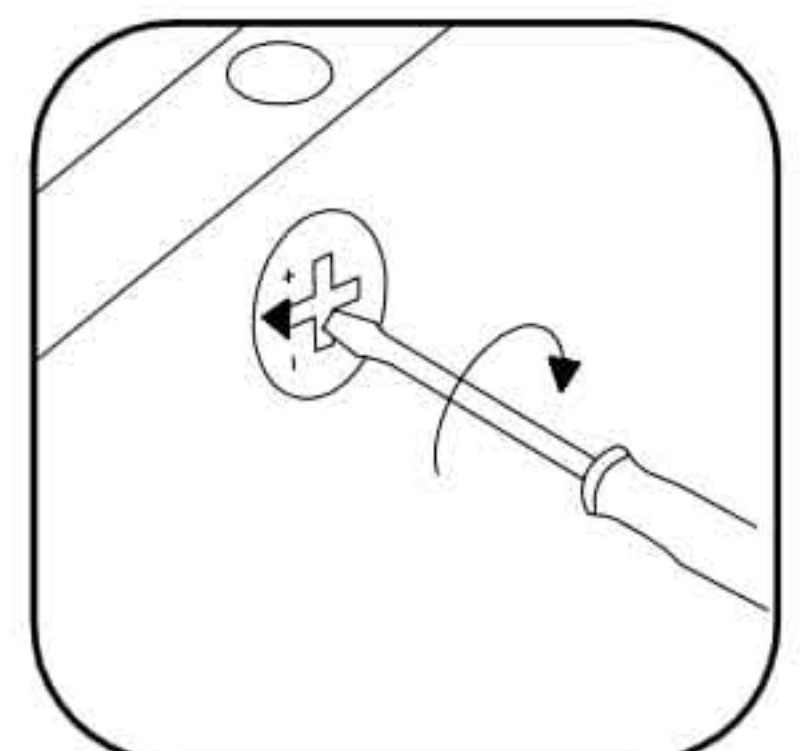
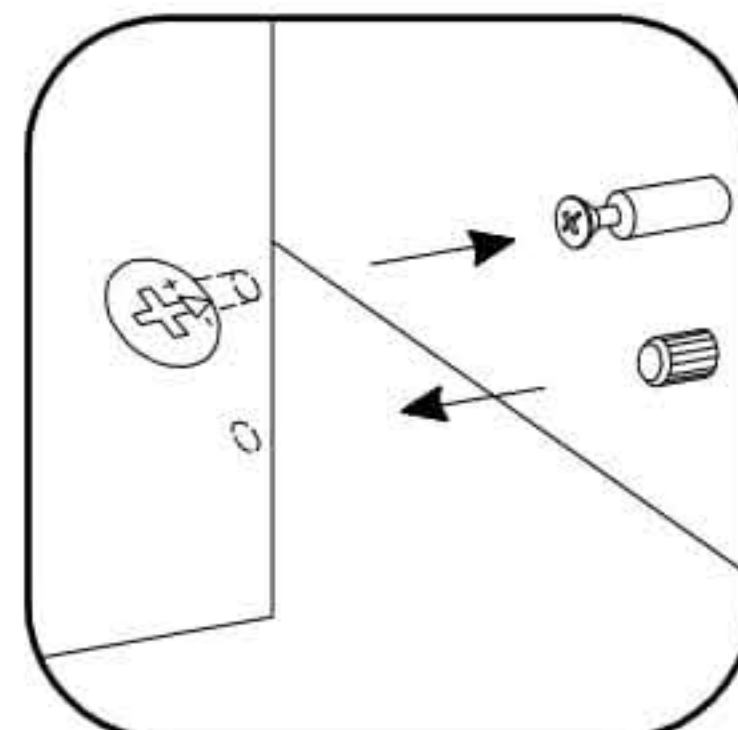
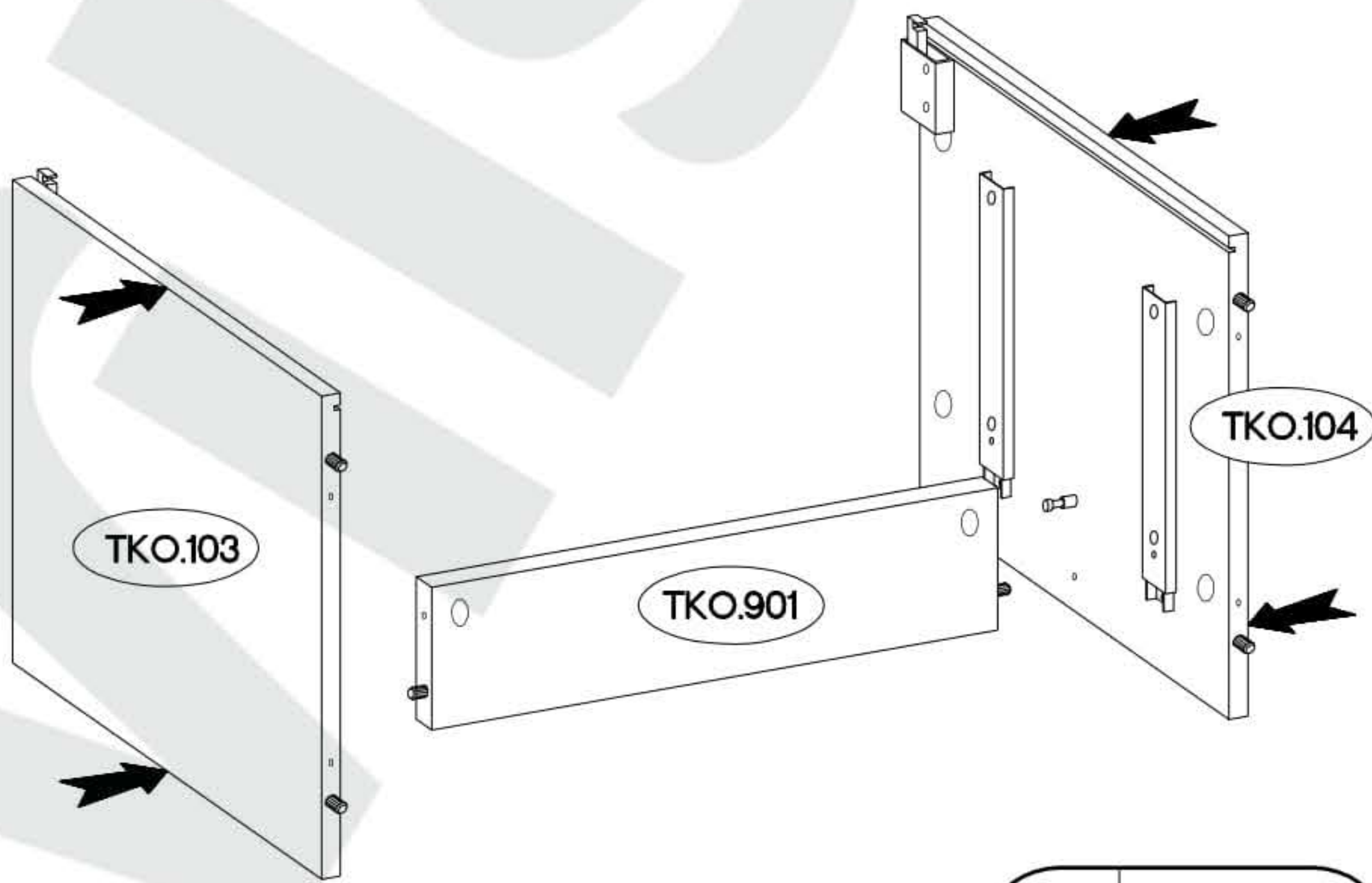
L=20mm  D2 4
--



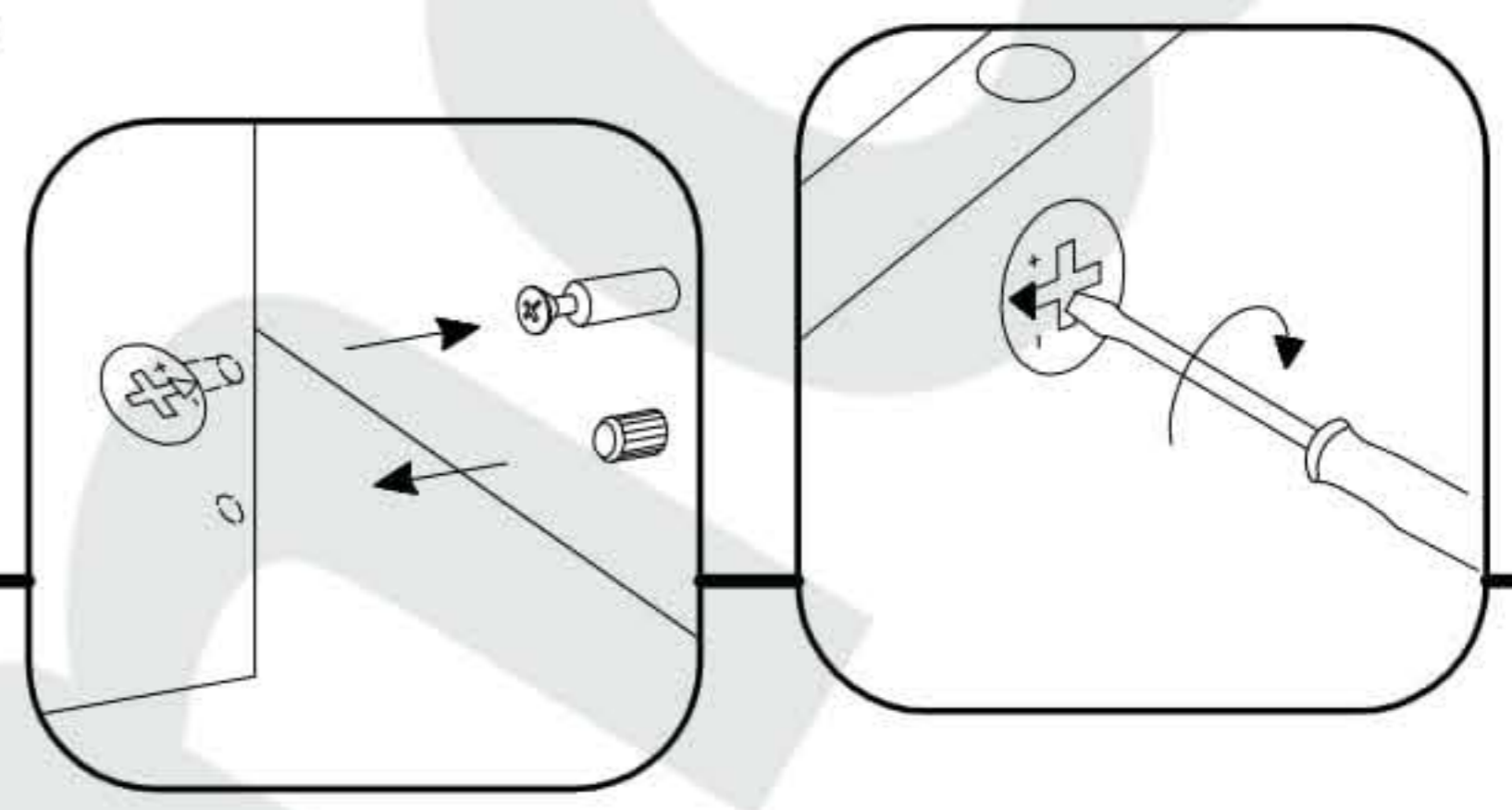
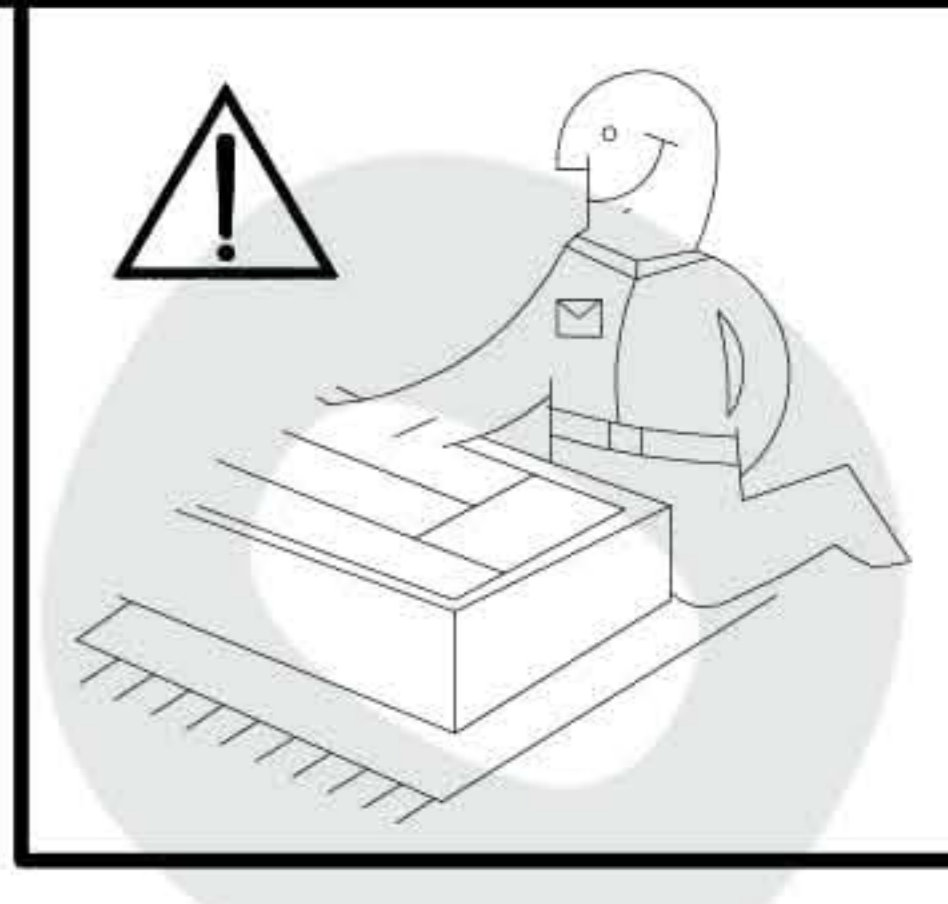
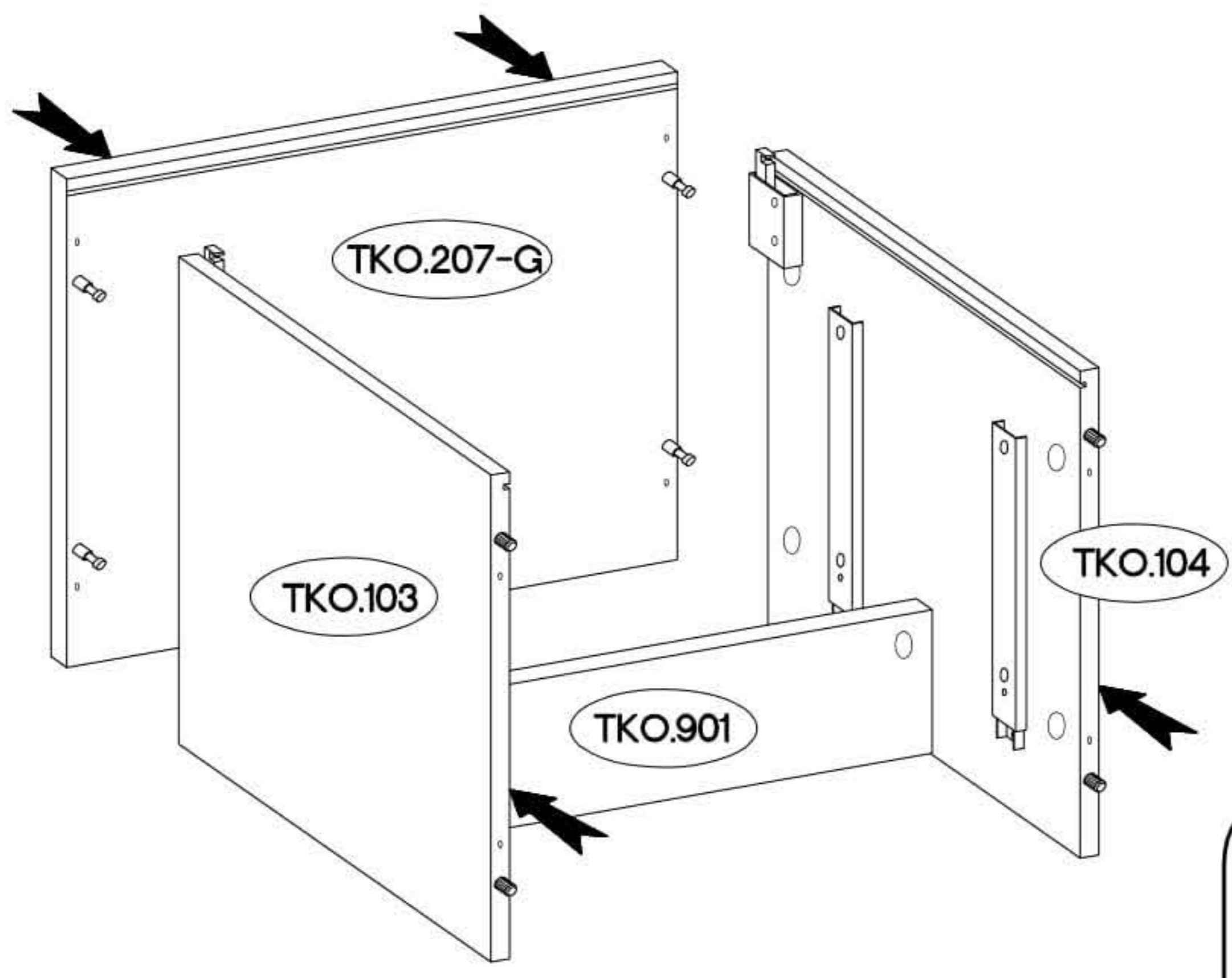
8



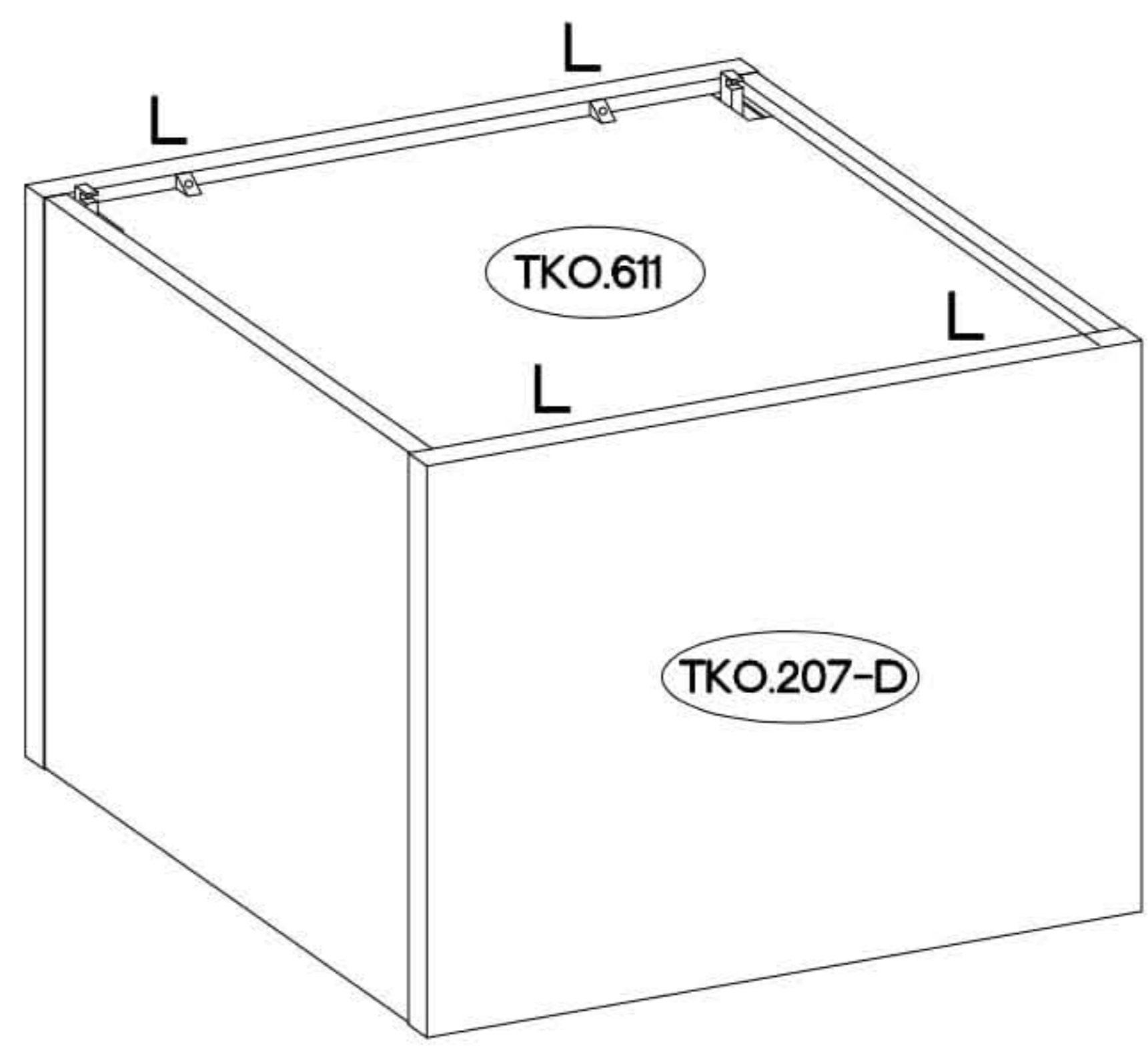
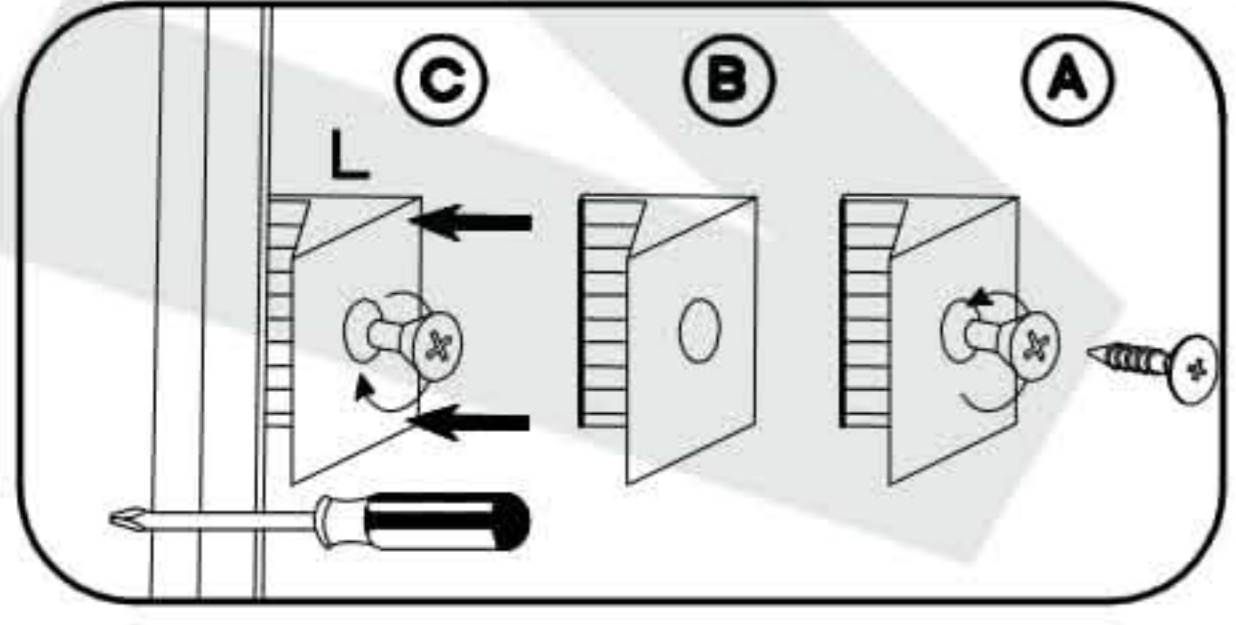
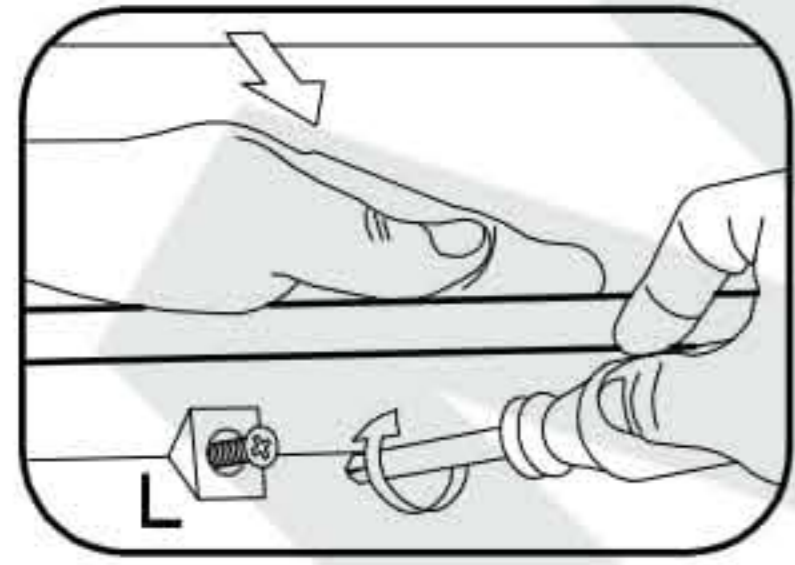
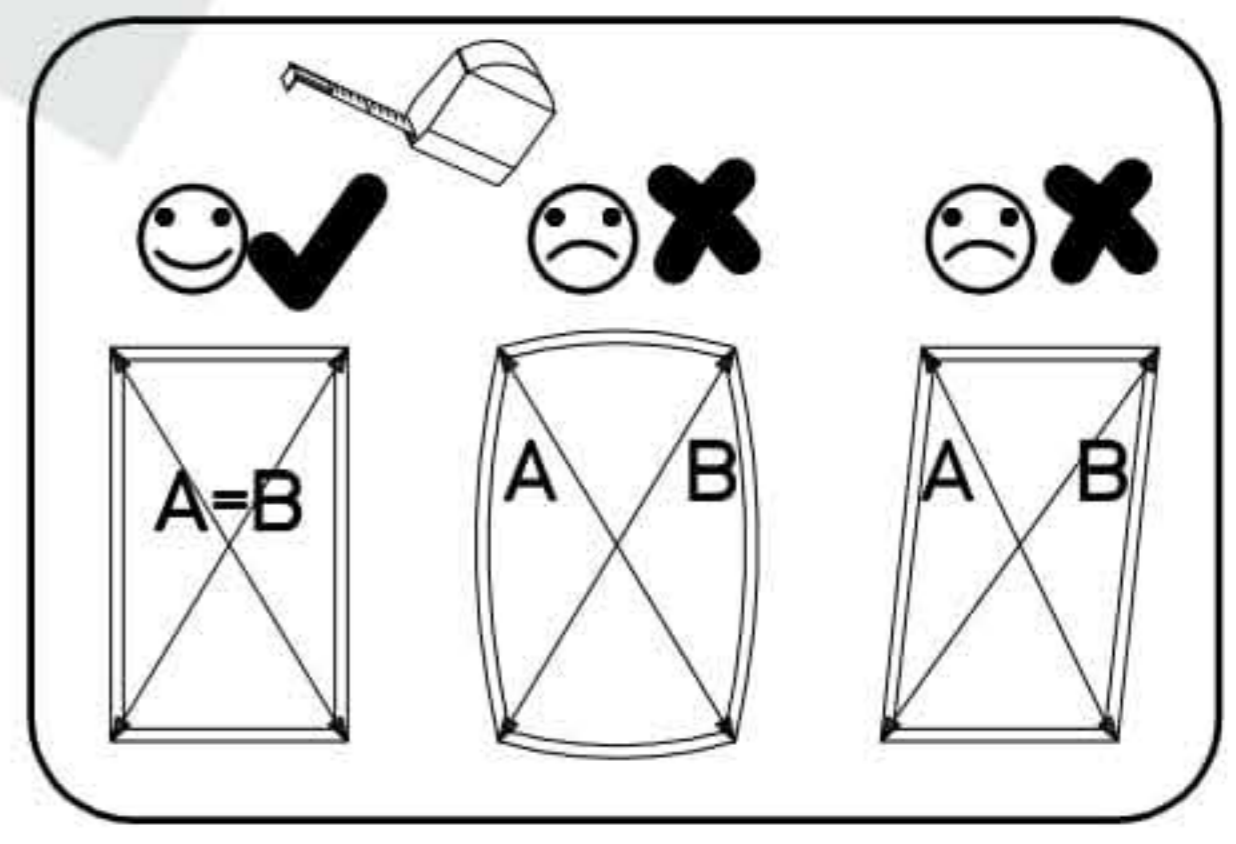
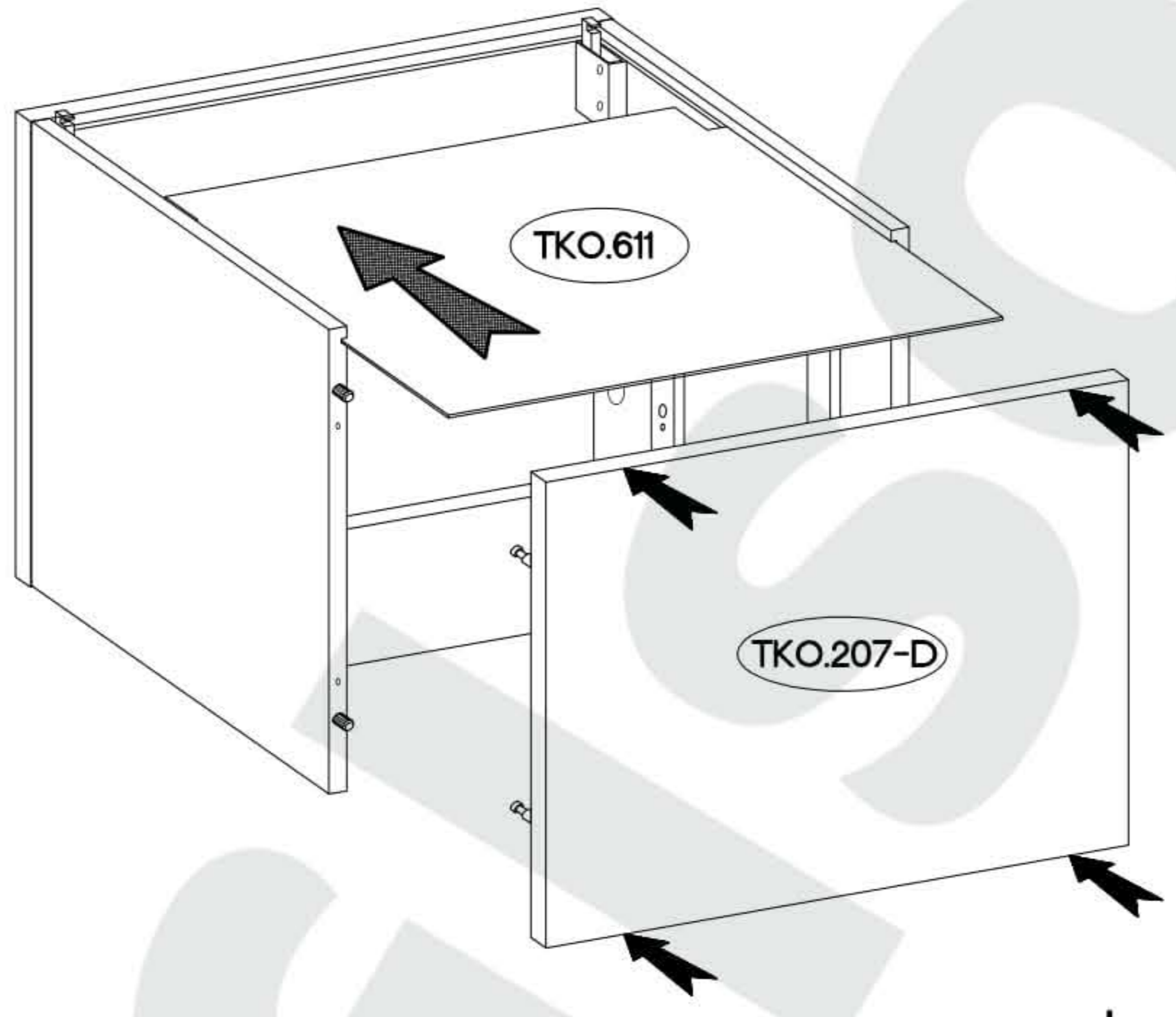
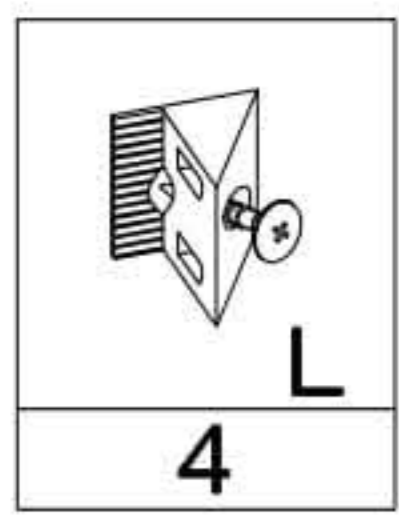
9



10

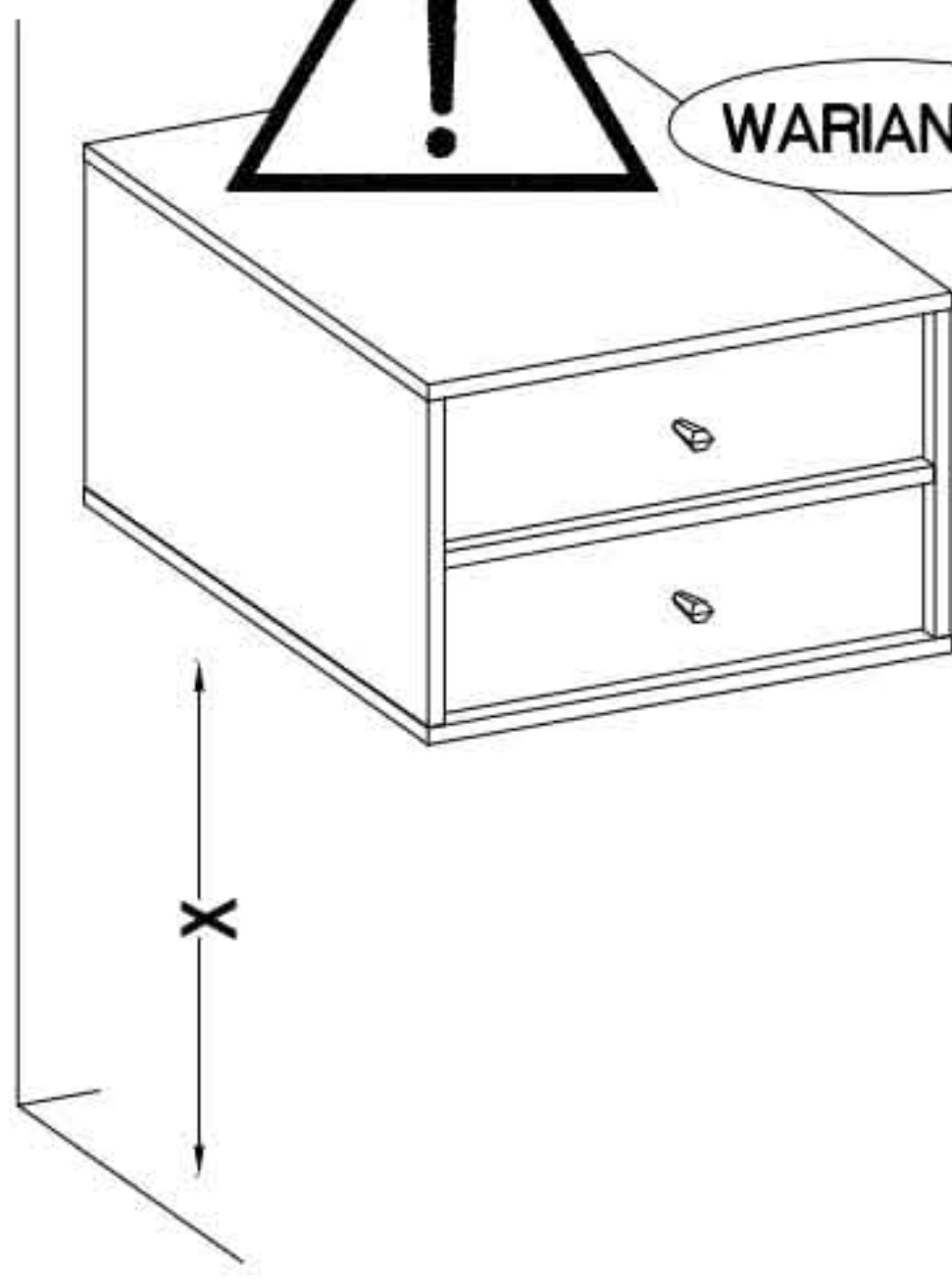




11

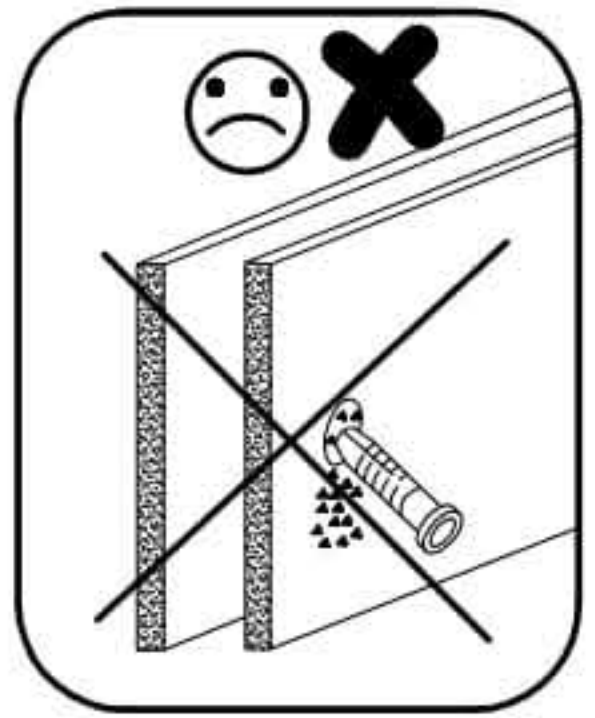
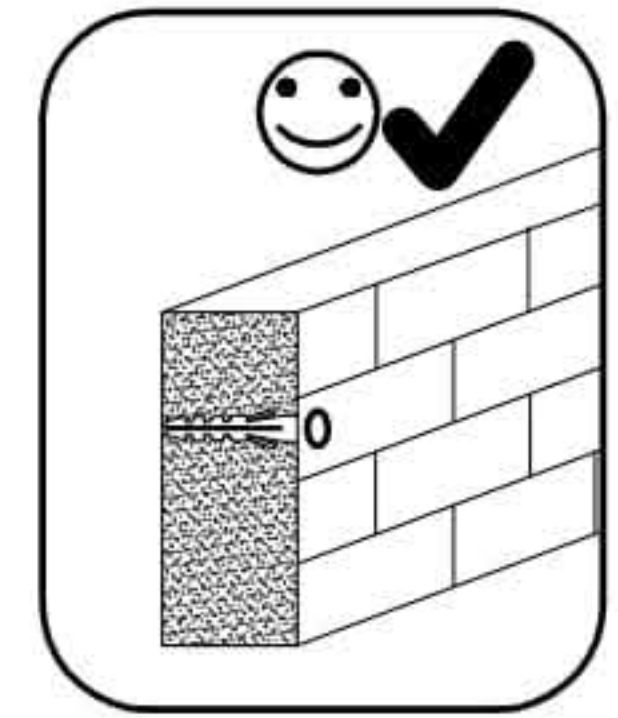
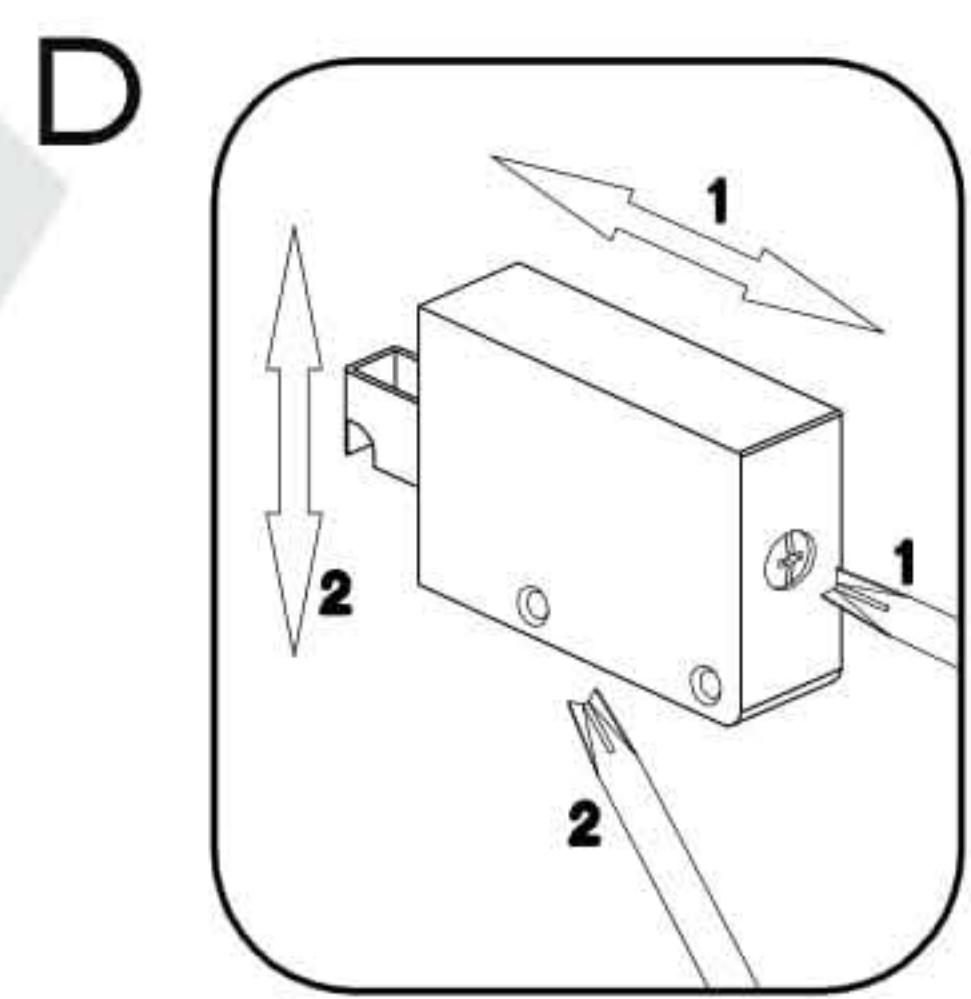
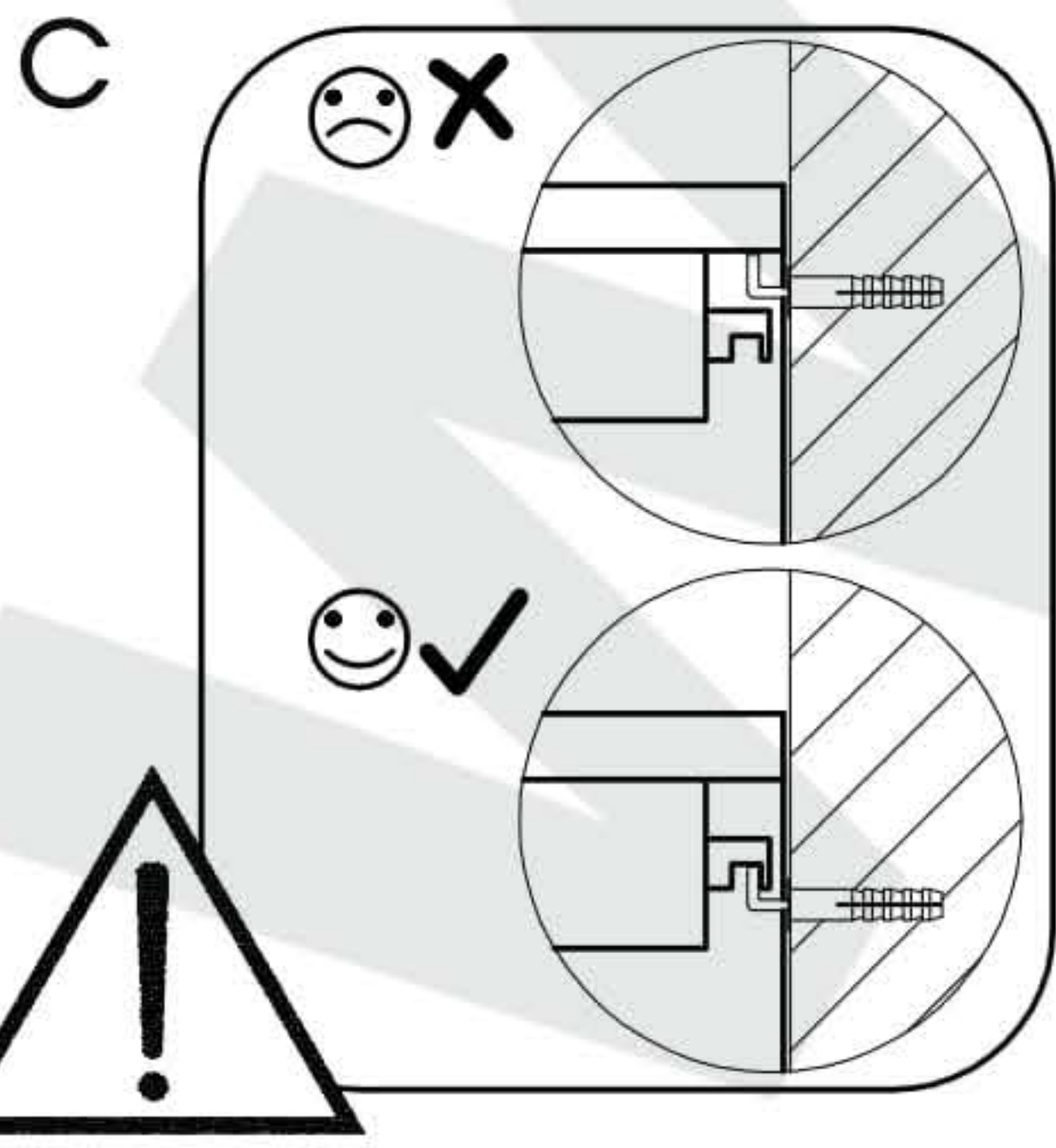
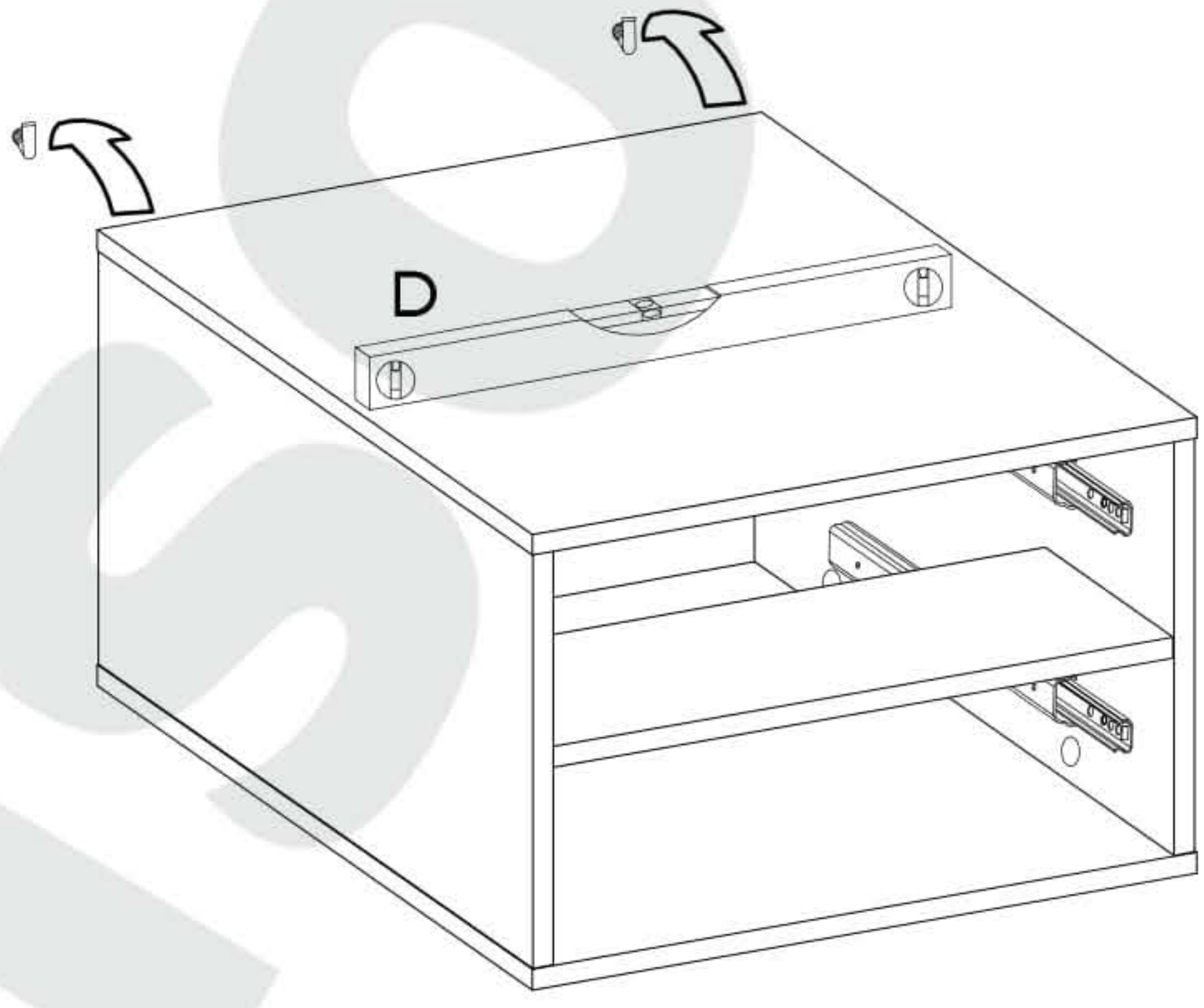
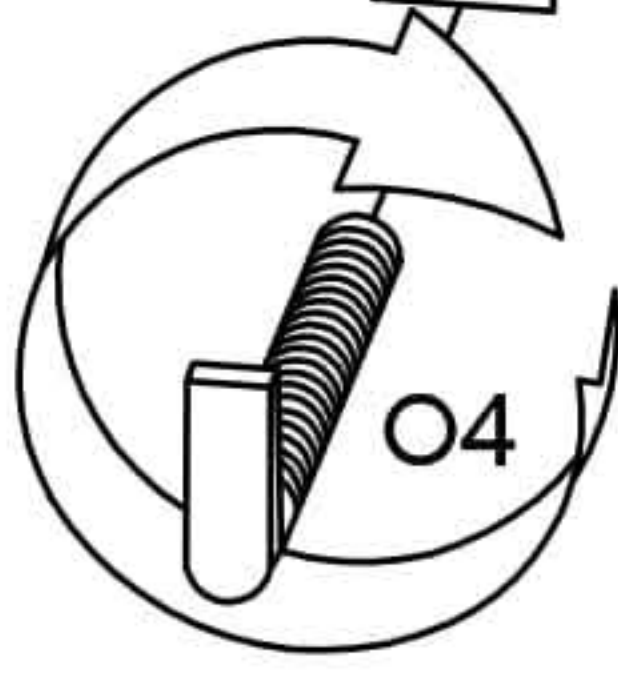
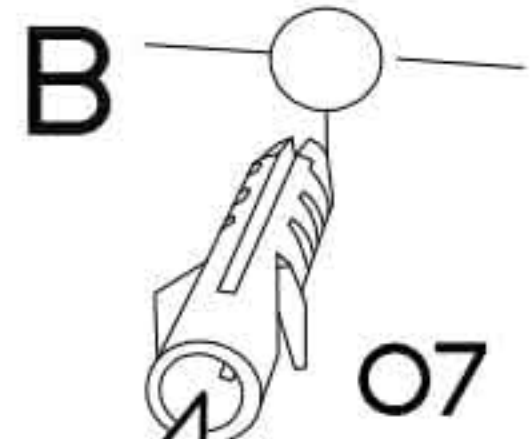
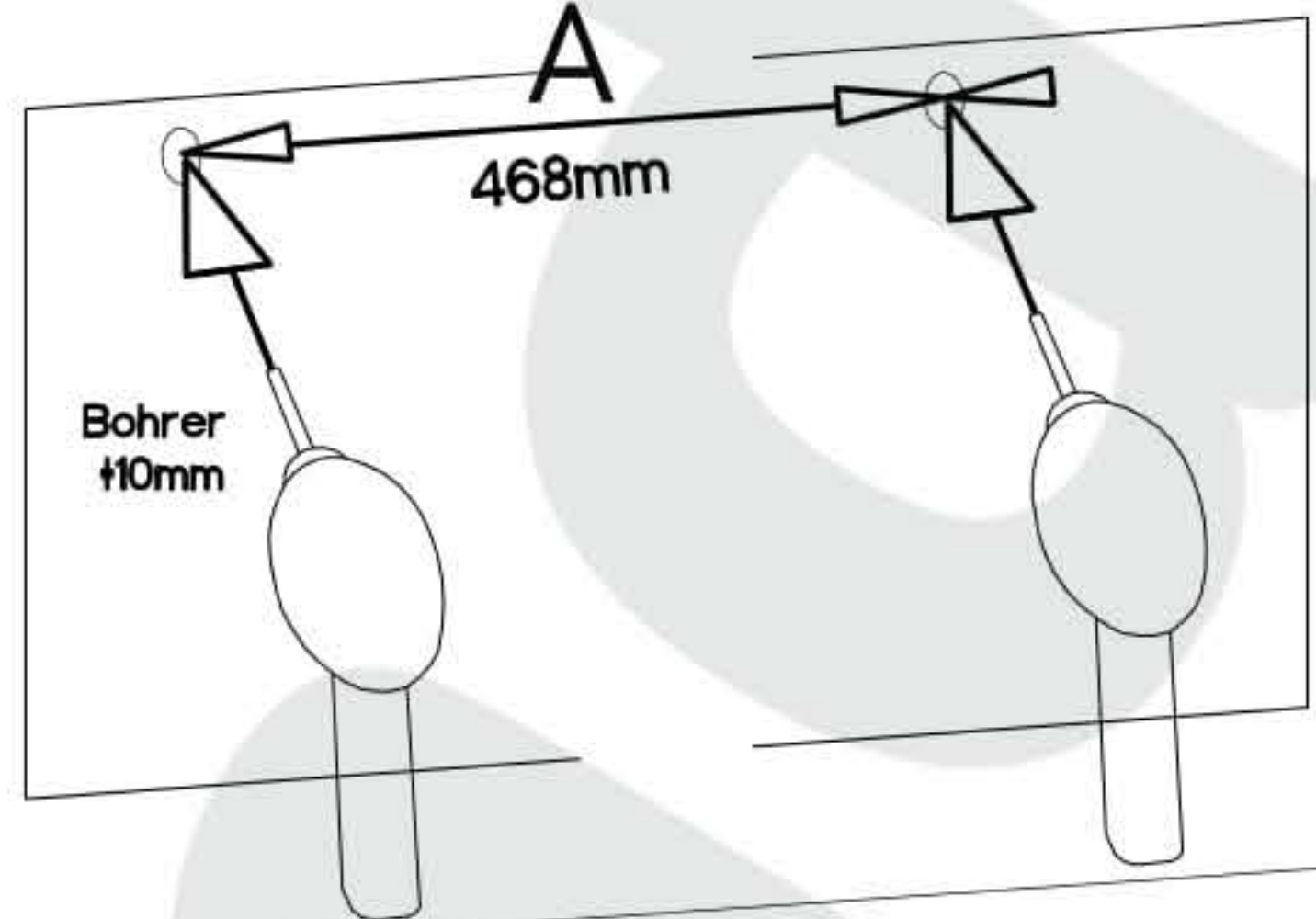




WARIANT A



 †10x50mm O7 2	 6,5/68mm O4 2
--	--



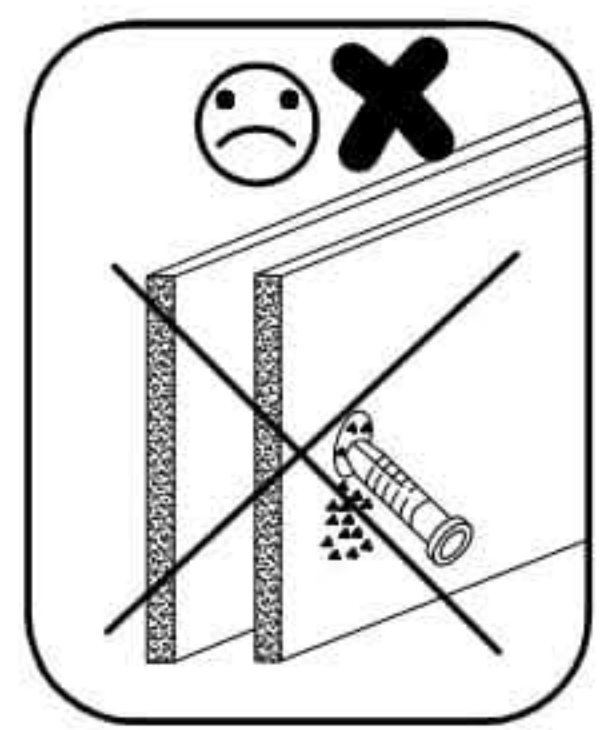
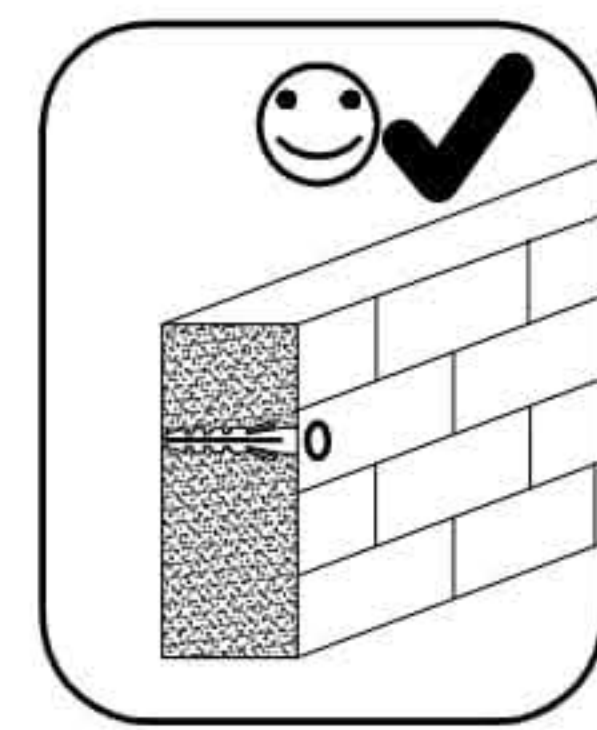
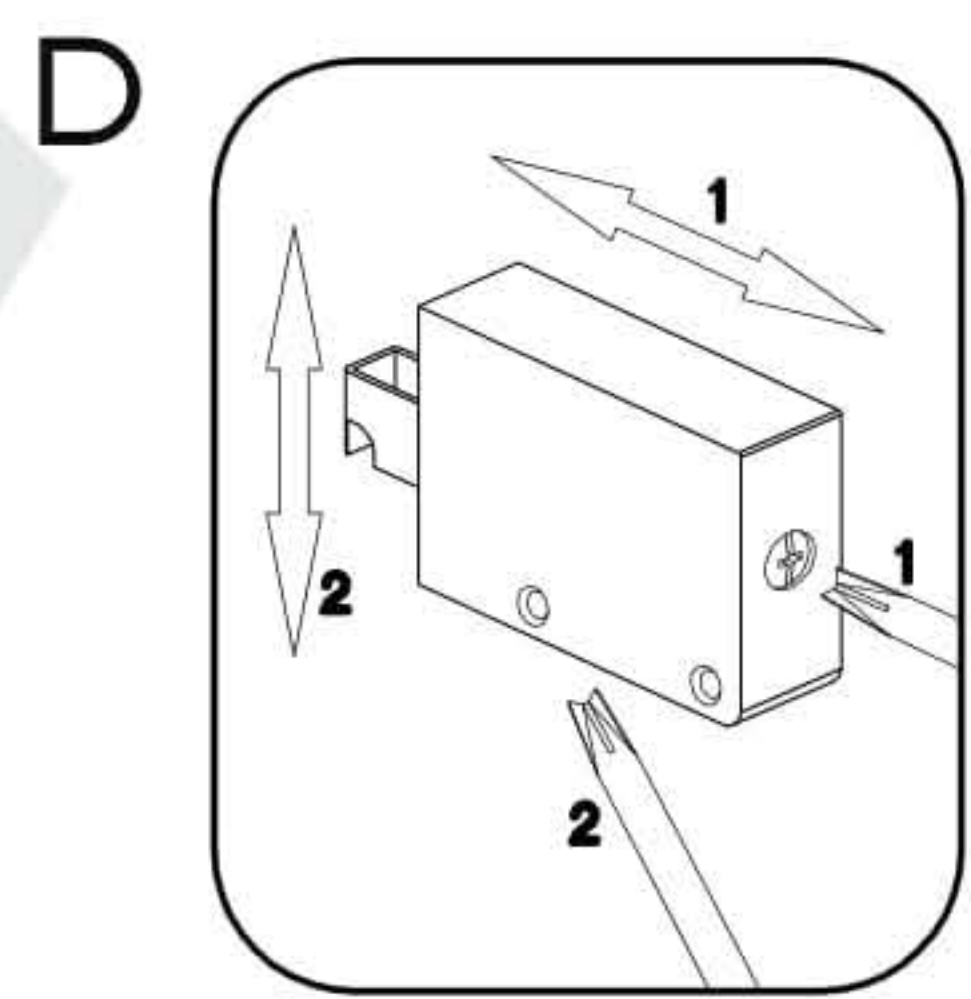
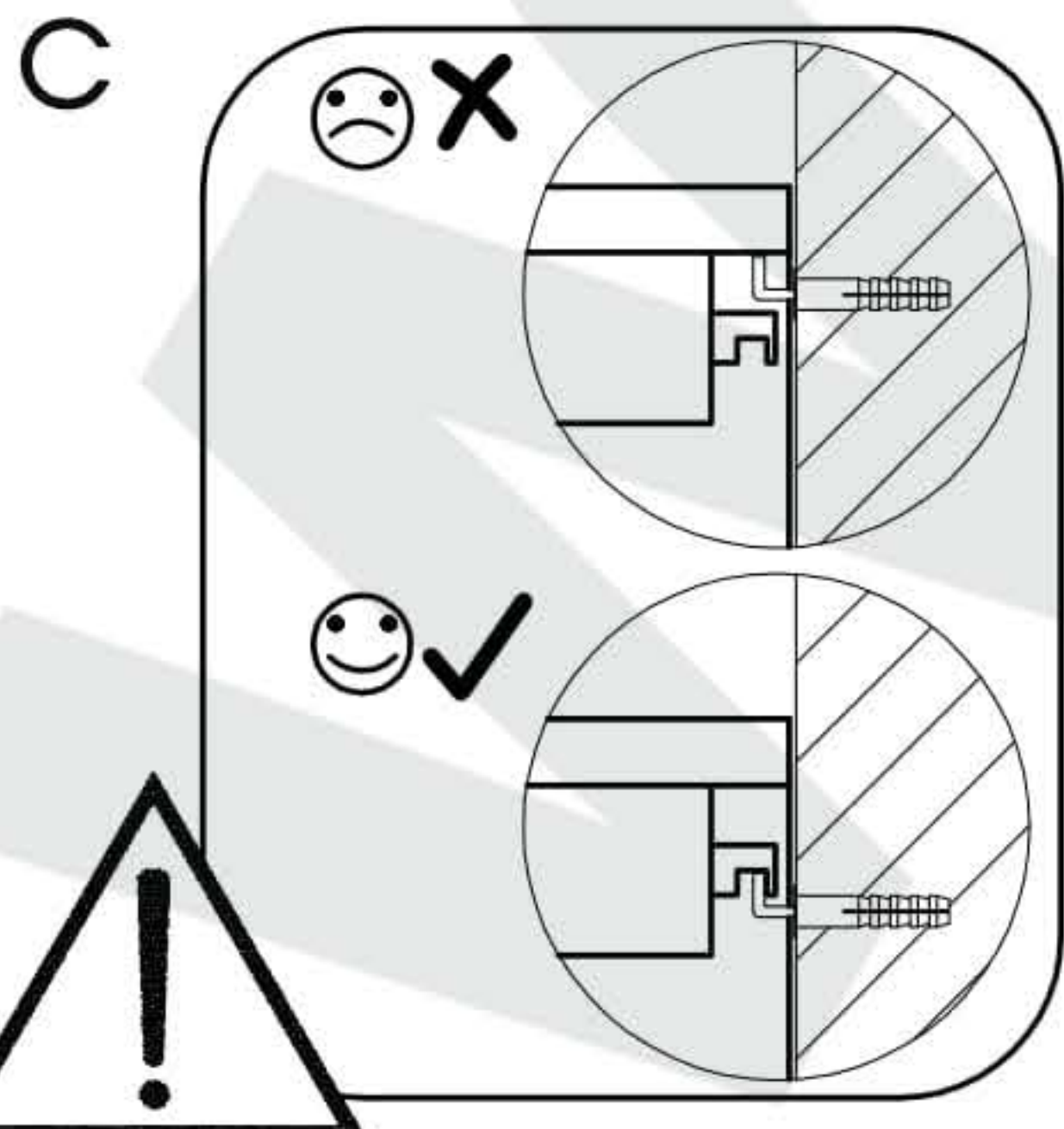
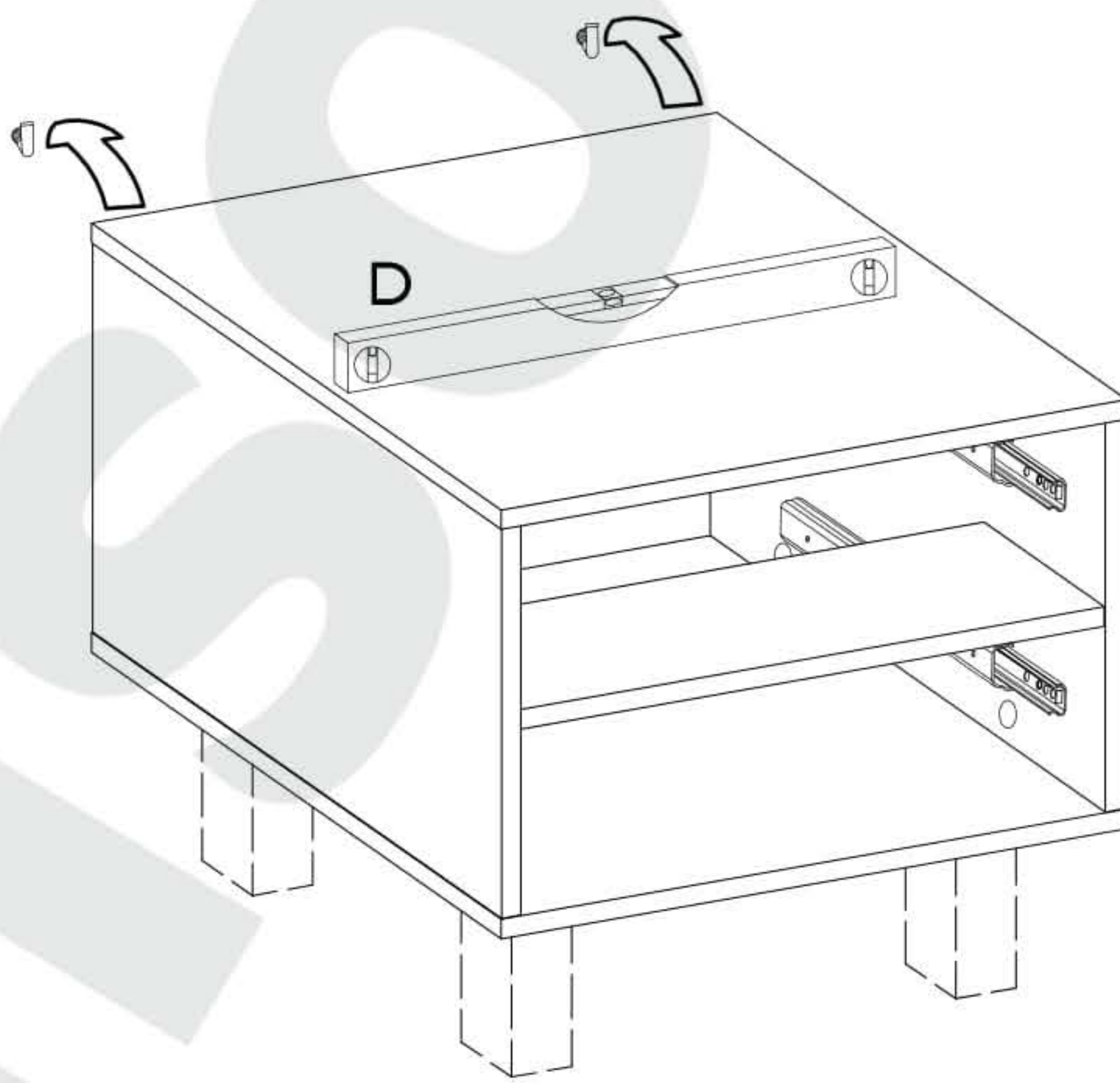
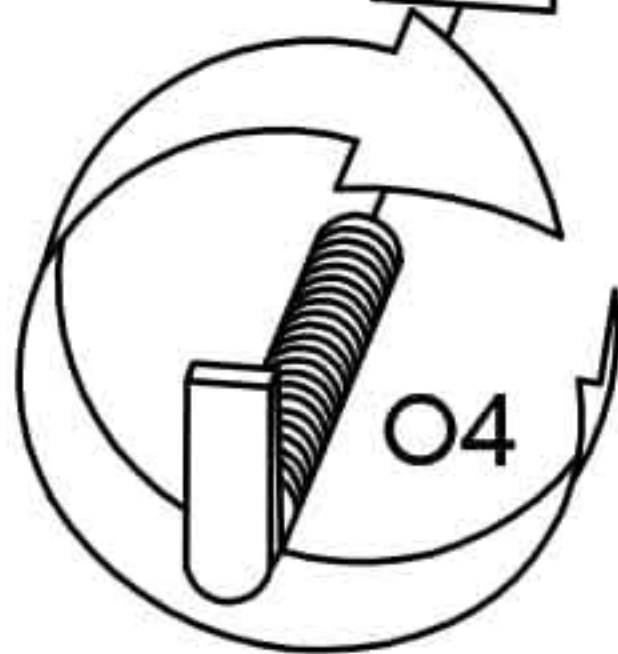
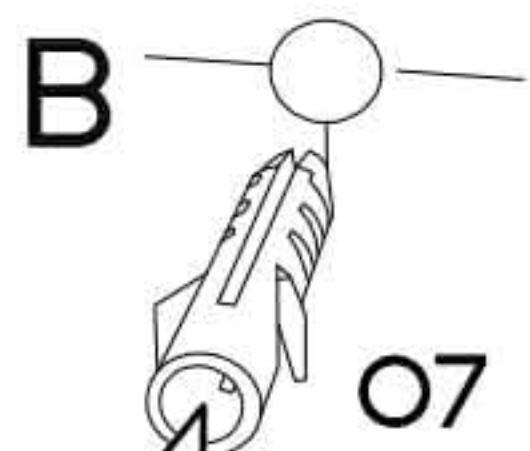
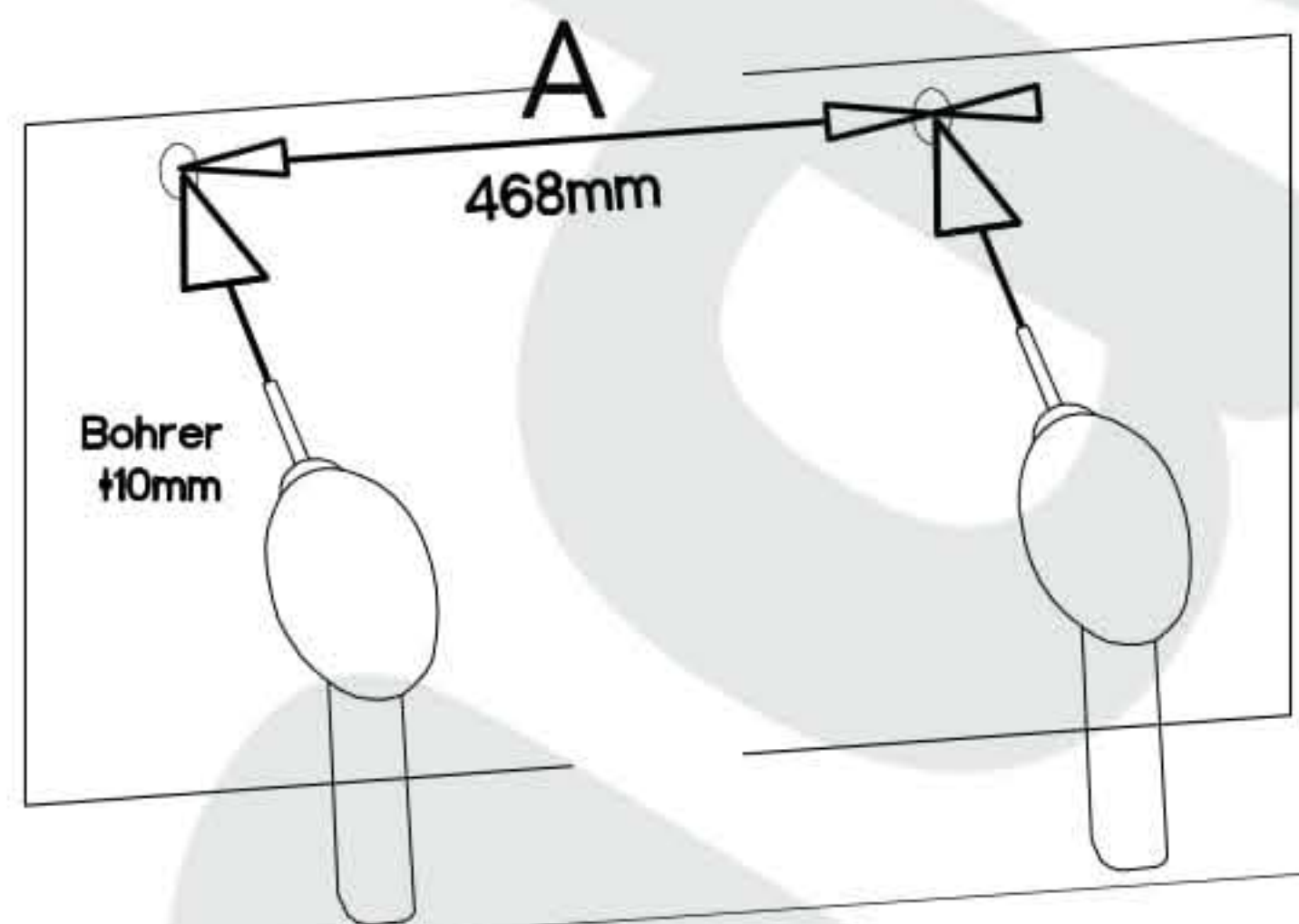


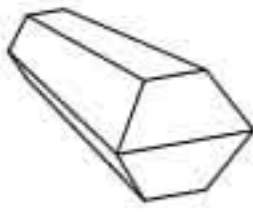




WARIANT A



$\varnothing 10 \times 50 \text{mm}$  O7 2	$6,5/68 \text{mm}$  O4 2
---	-----------------------------------



 S	M4x22mm  U	M4x9mm  U1
2	2	4

