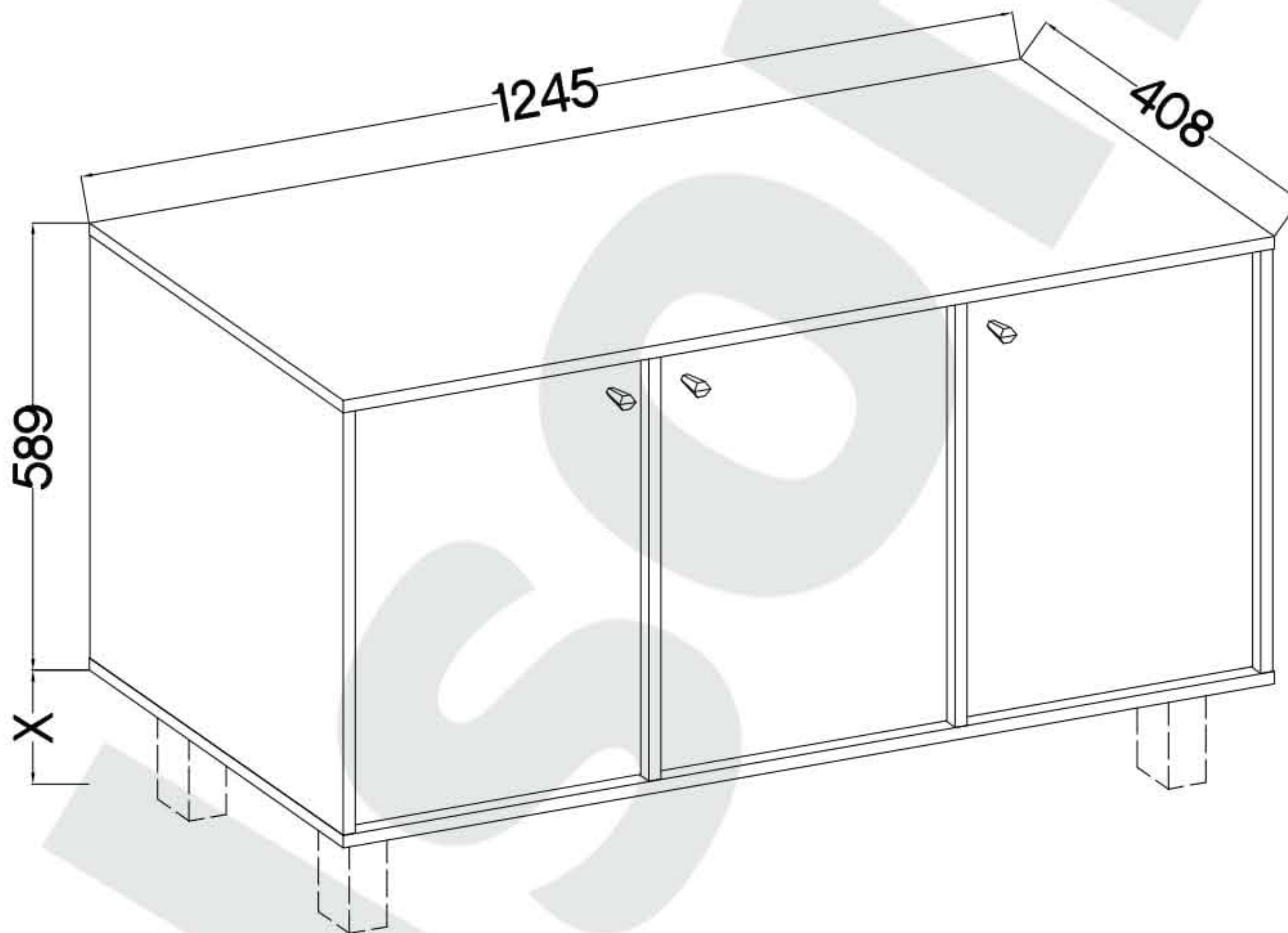
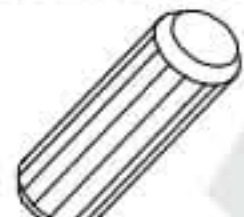
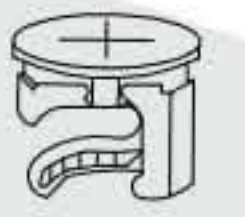

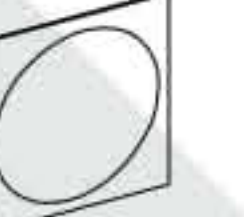



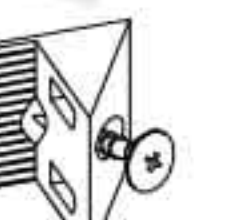
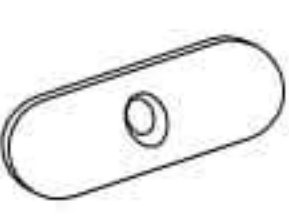




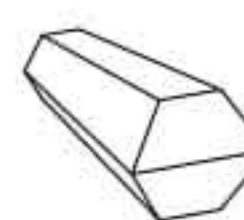

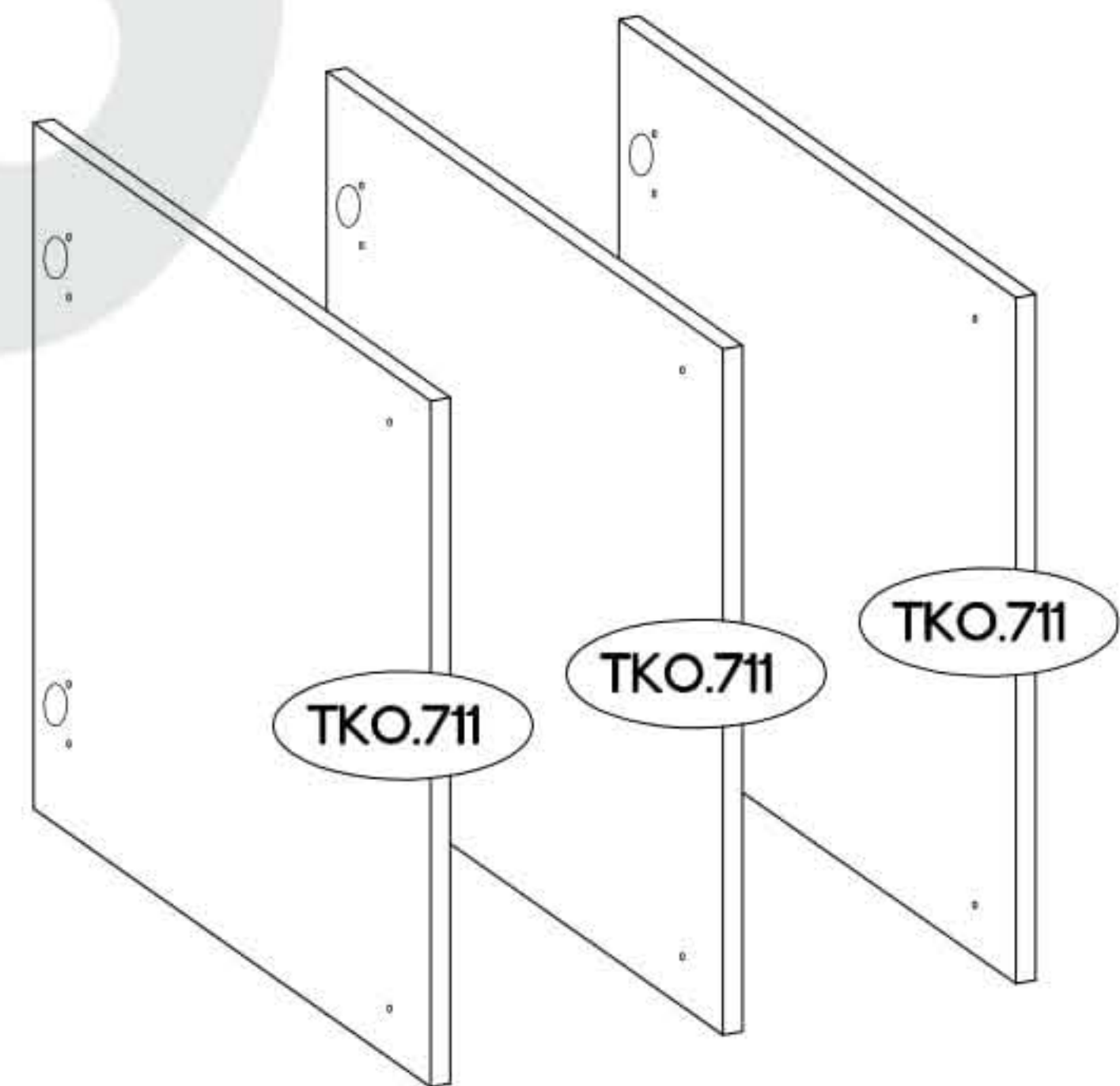
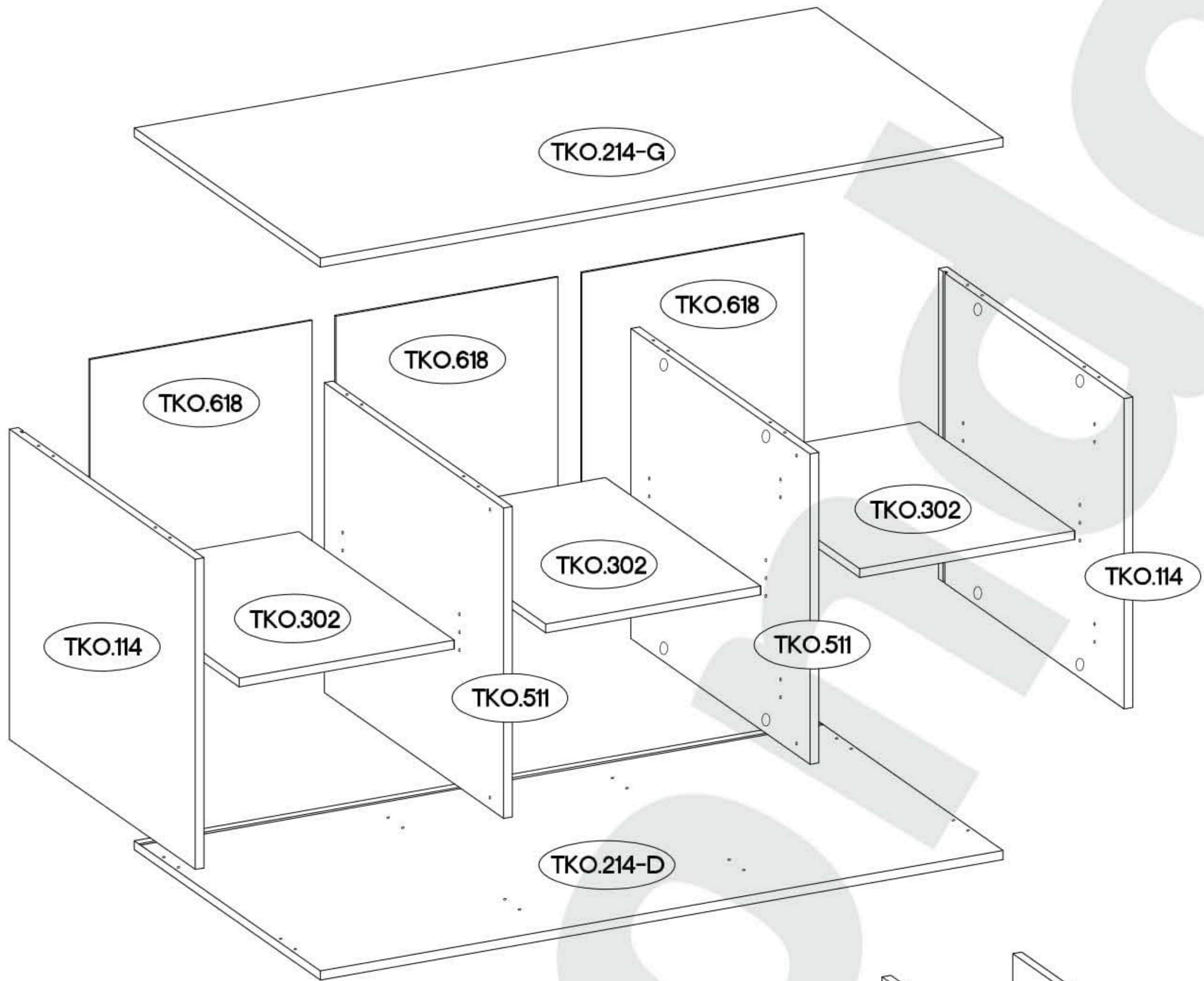


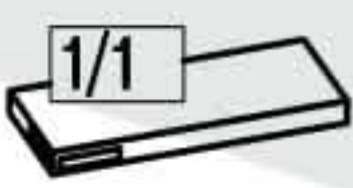
TYP 813

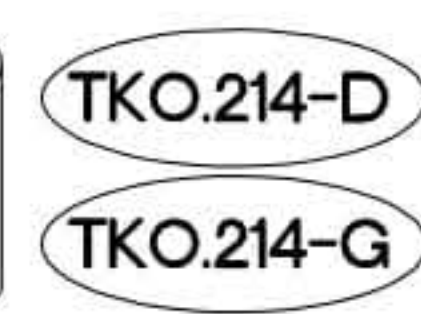


 A 16	 C 16	 D2 16	 E11 16	 HG2 6	 J3 12	 J12 3	 L 16	 L2 10	 L9 1	 O7 1	 P5 13	 P7 10	 S 3	 U 3
--	---	--	---	---	--	--	---	--	--	---	--	--	--	--

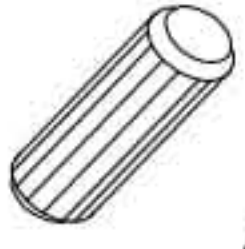

ISM-TKO-013

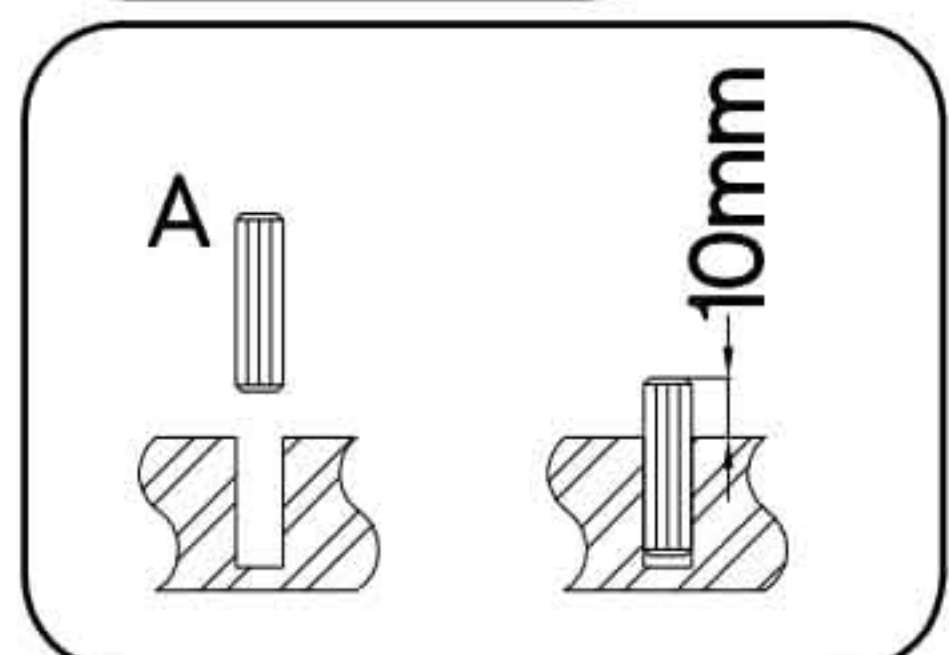
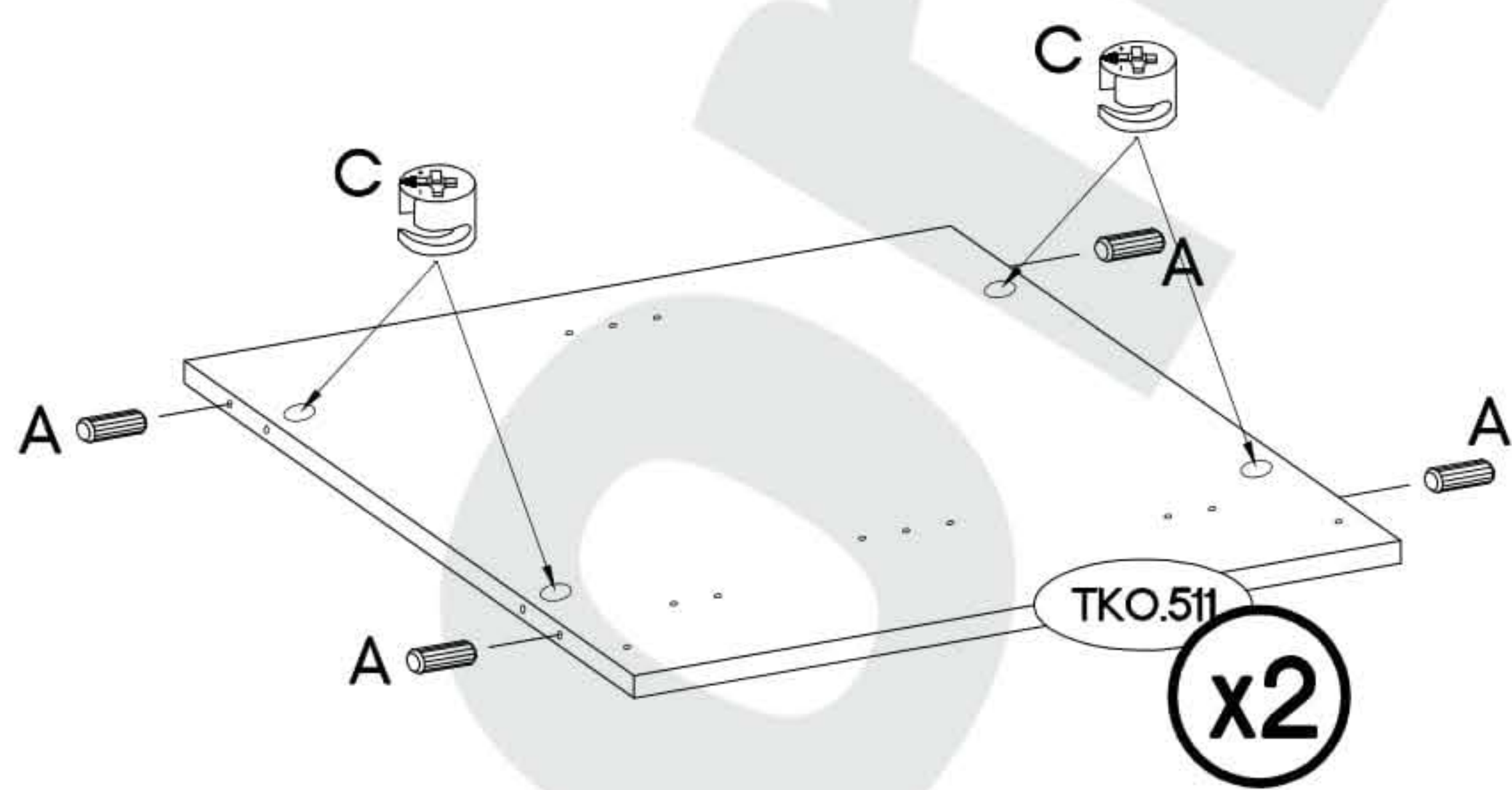
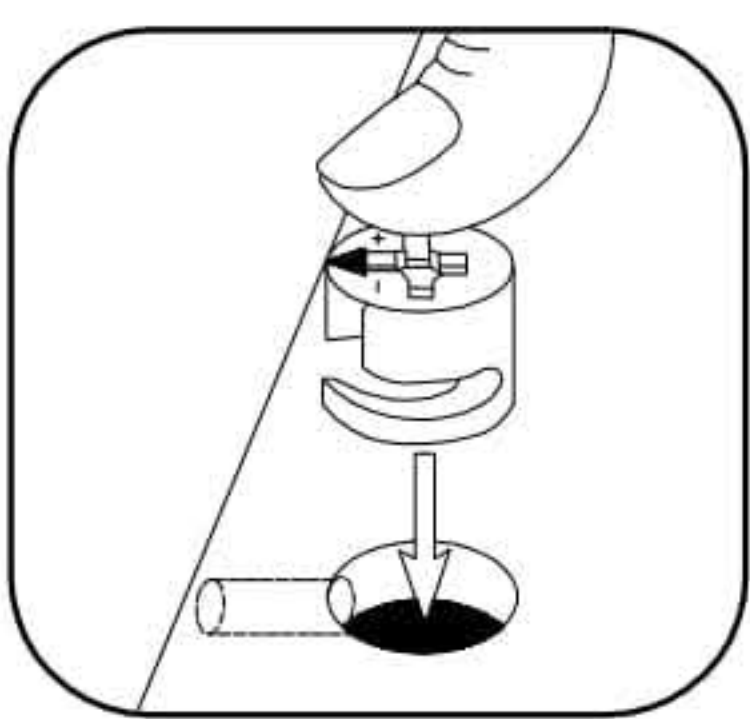
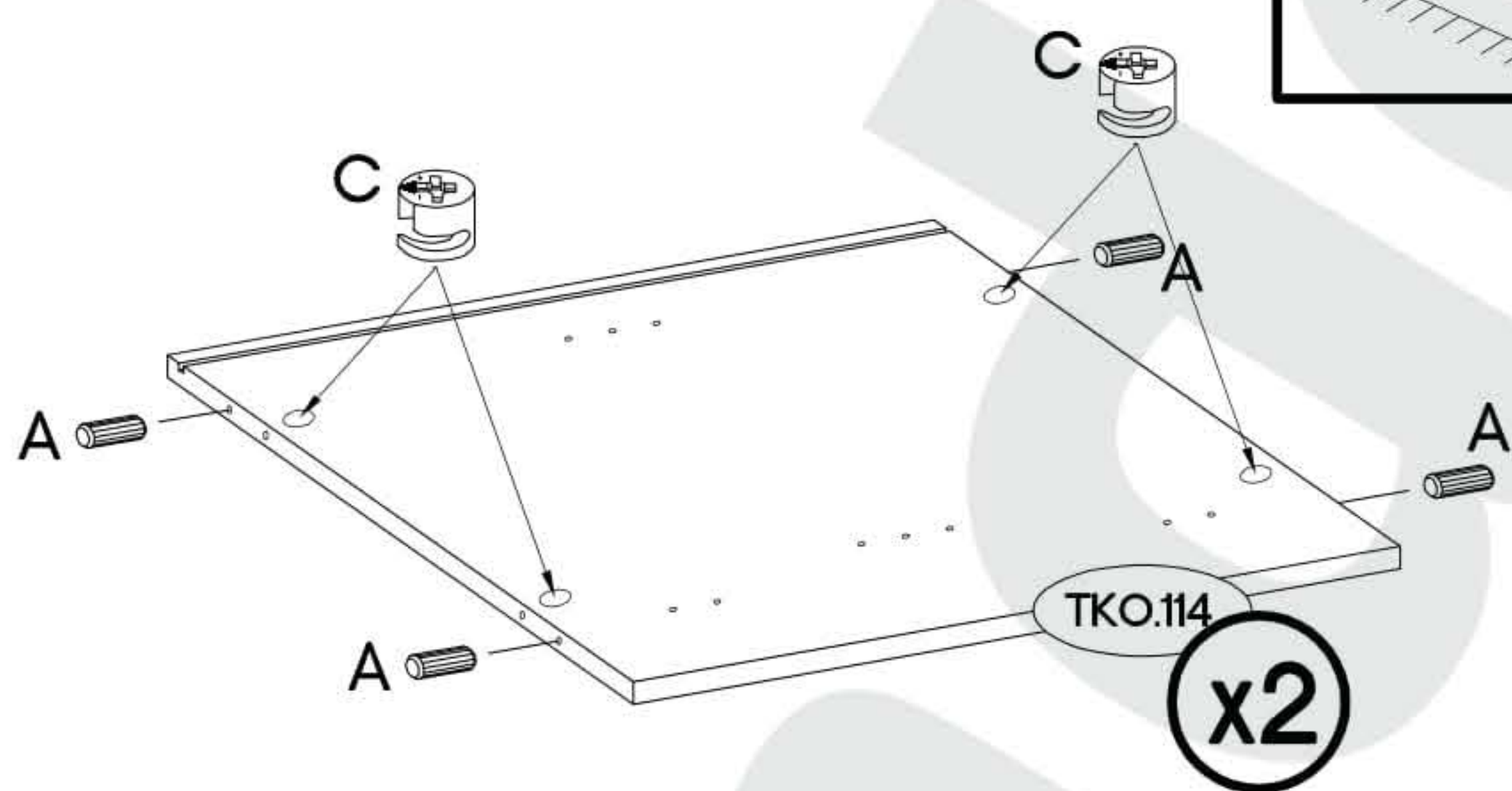
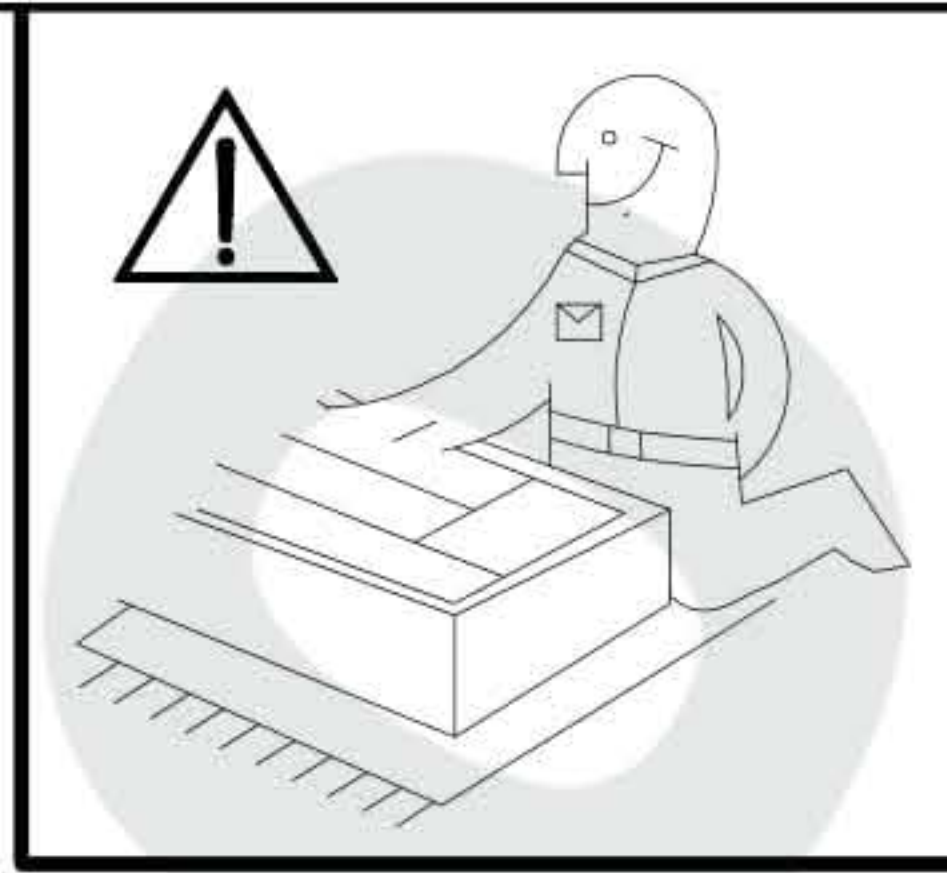


	Ersatzteil Nummer	Dimension
	TKO.114 x2	557x407x16
	TKO.511 x2	557x393x16
	TKO.214 x2	1245x408x16
	TKO.302 x3	392x340x16
	TKO.618 x3	566x405x2,5
	TKO.711 x3	551x389x16




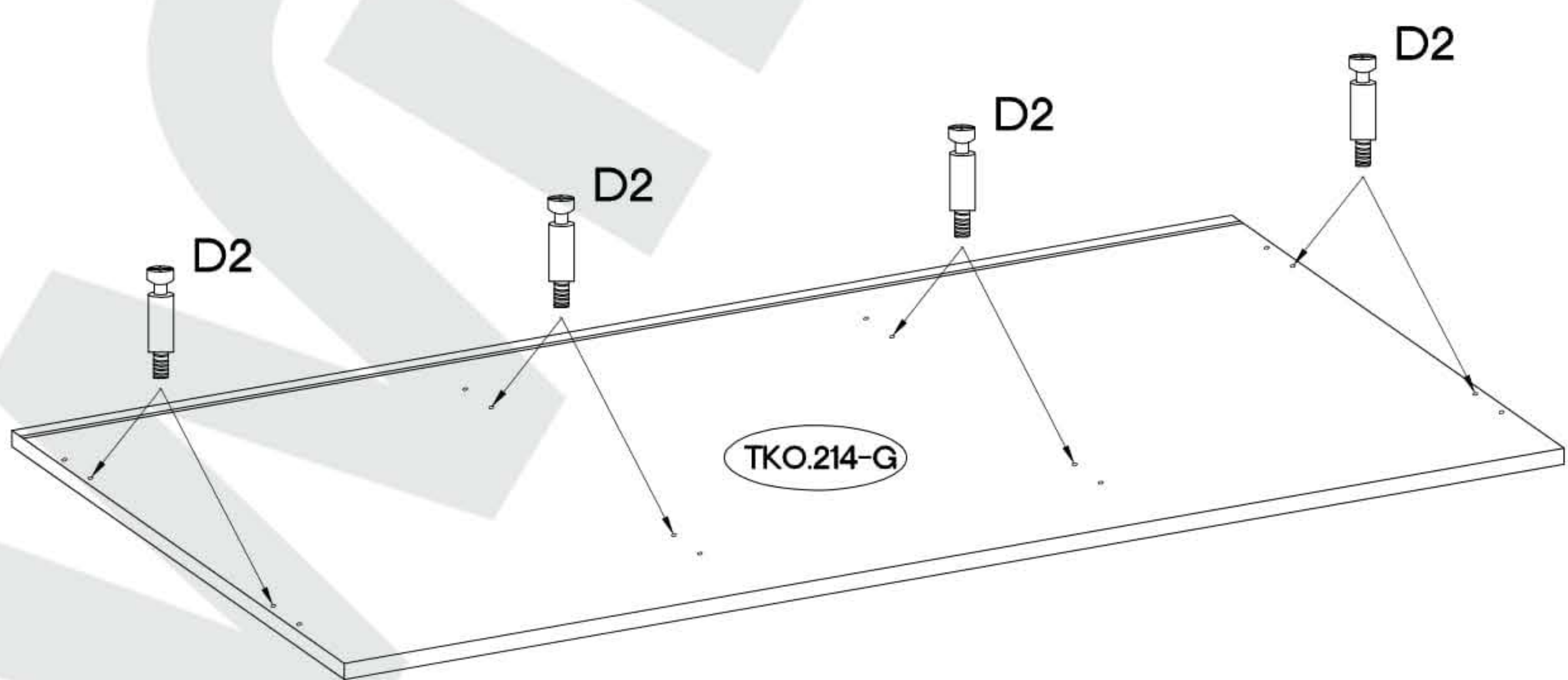
1

†8x30mm 	†15/12mm 
A	C
16	16

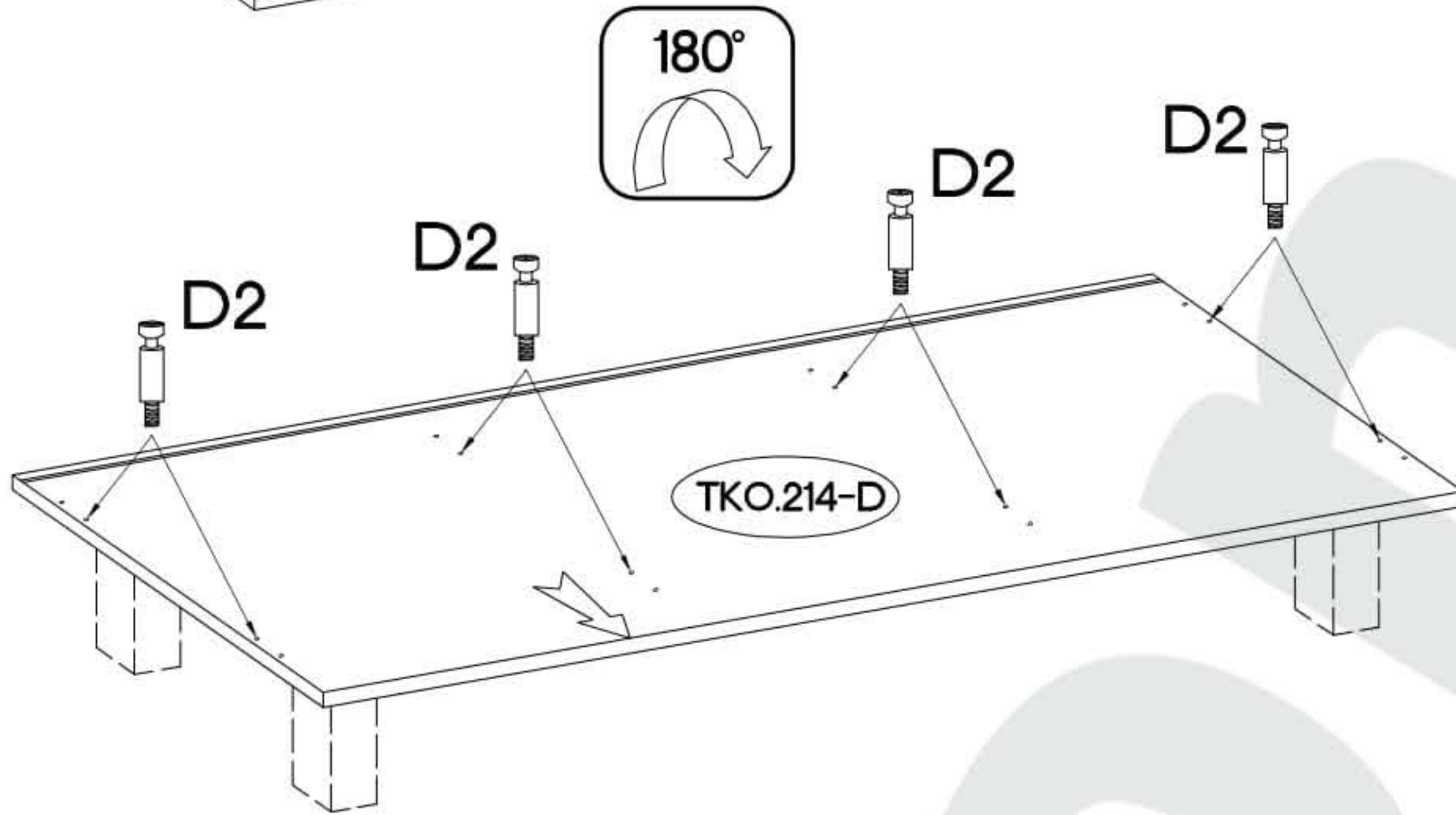
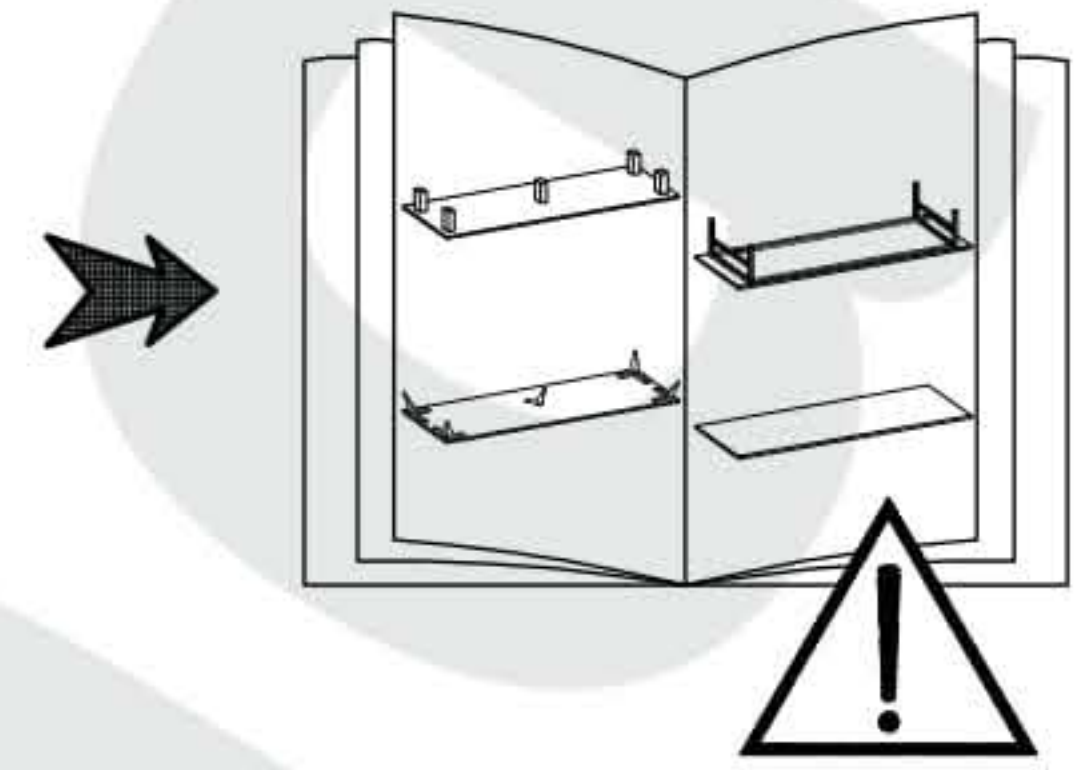
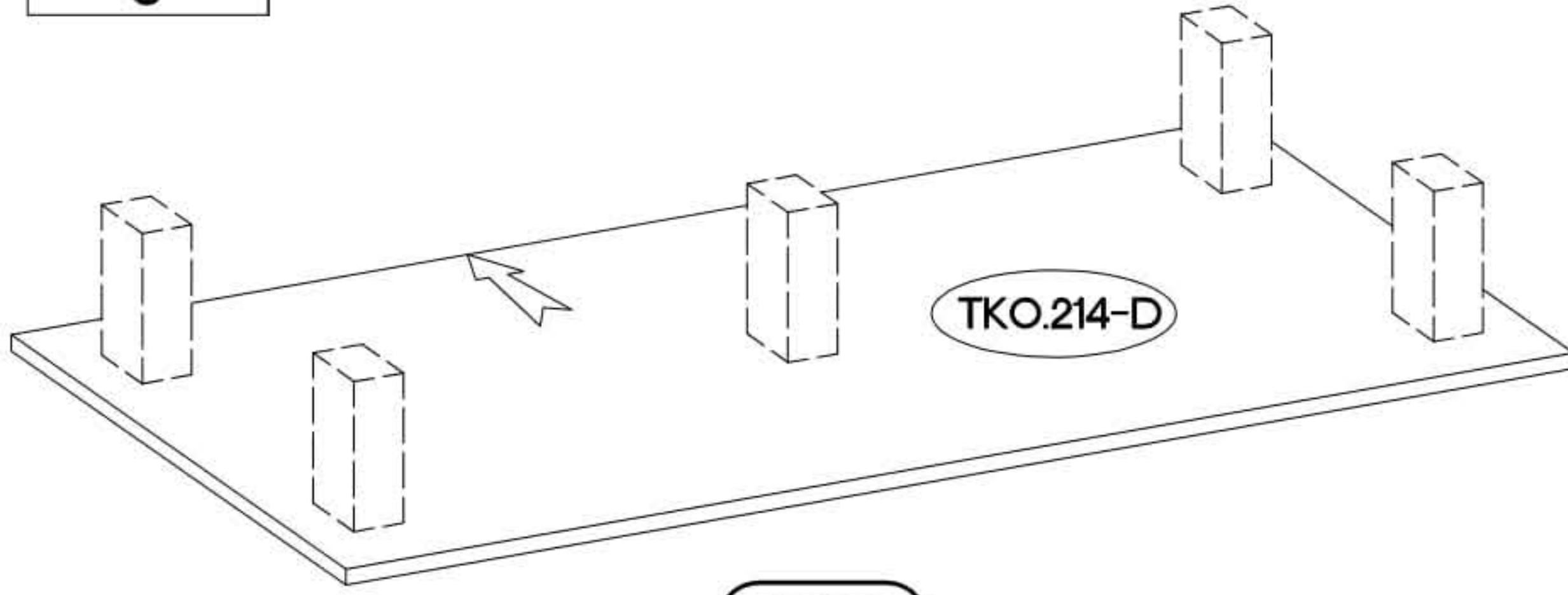
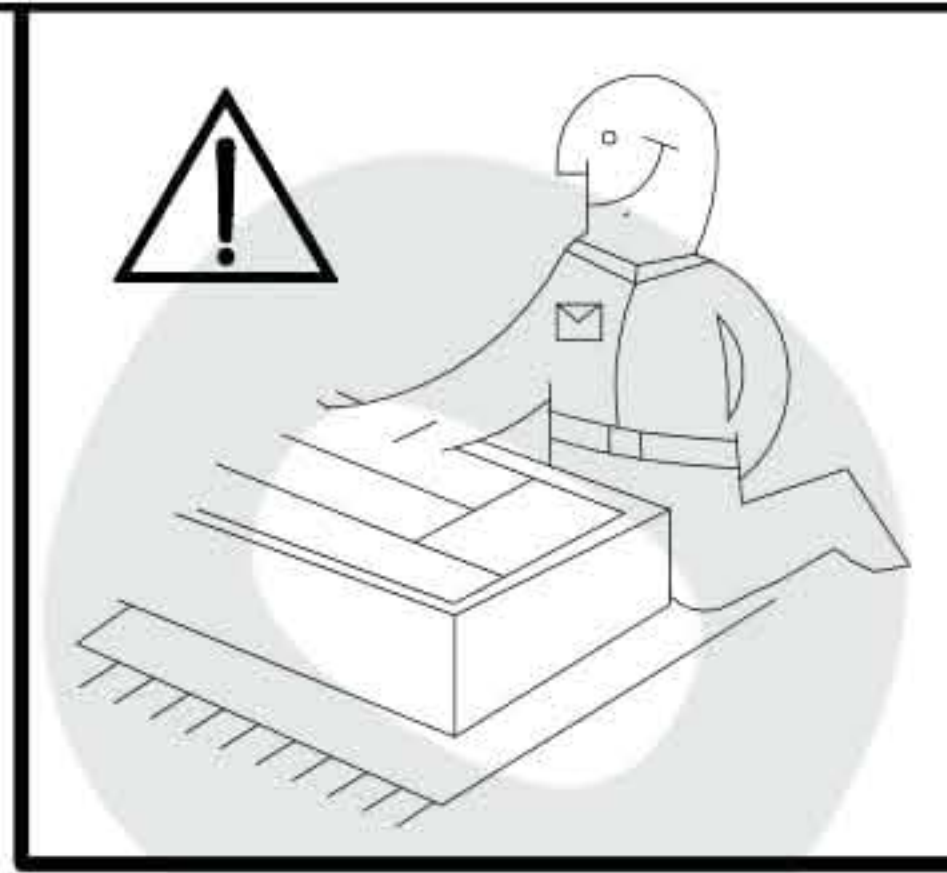


2

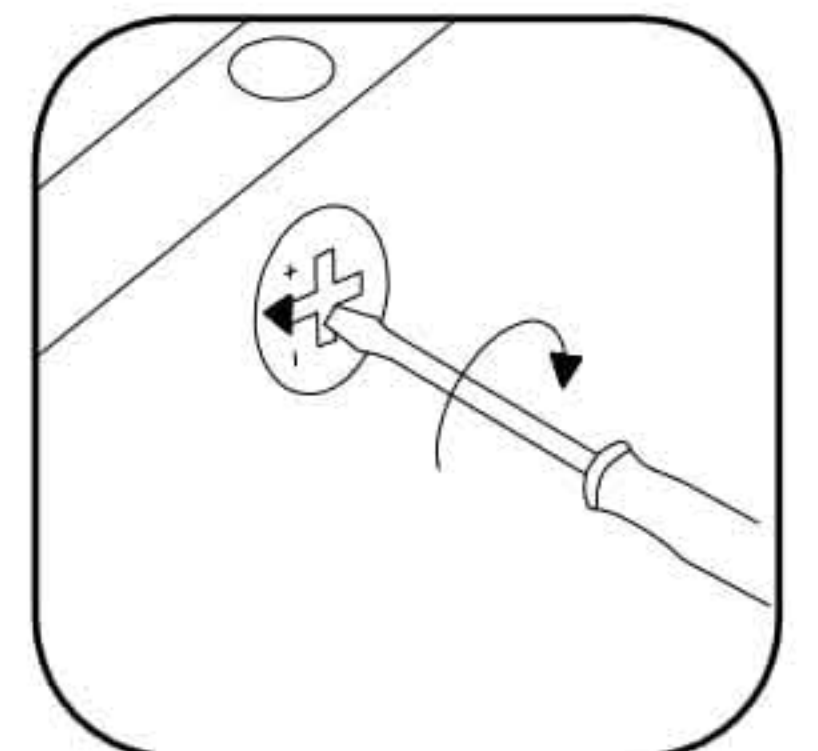
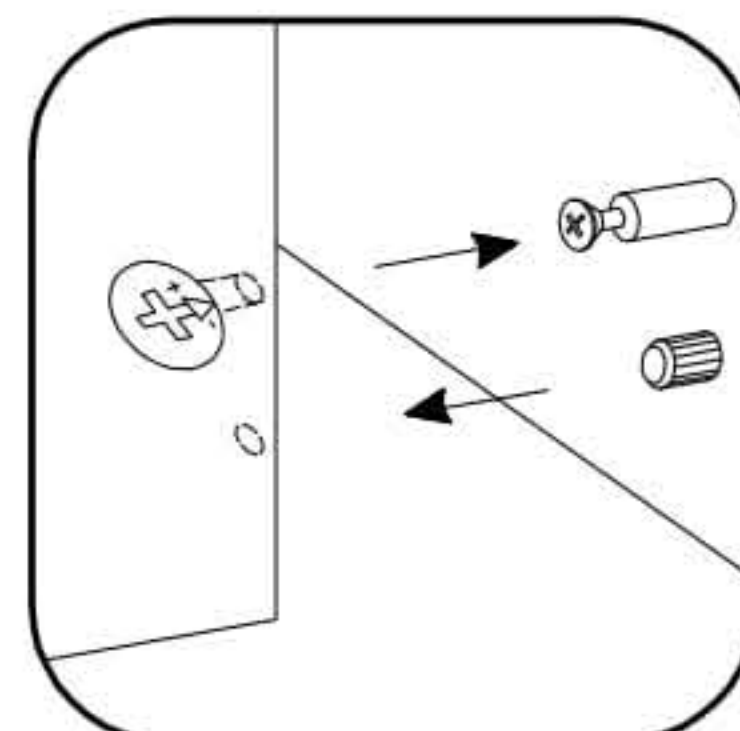
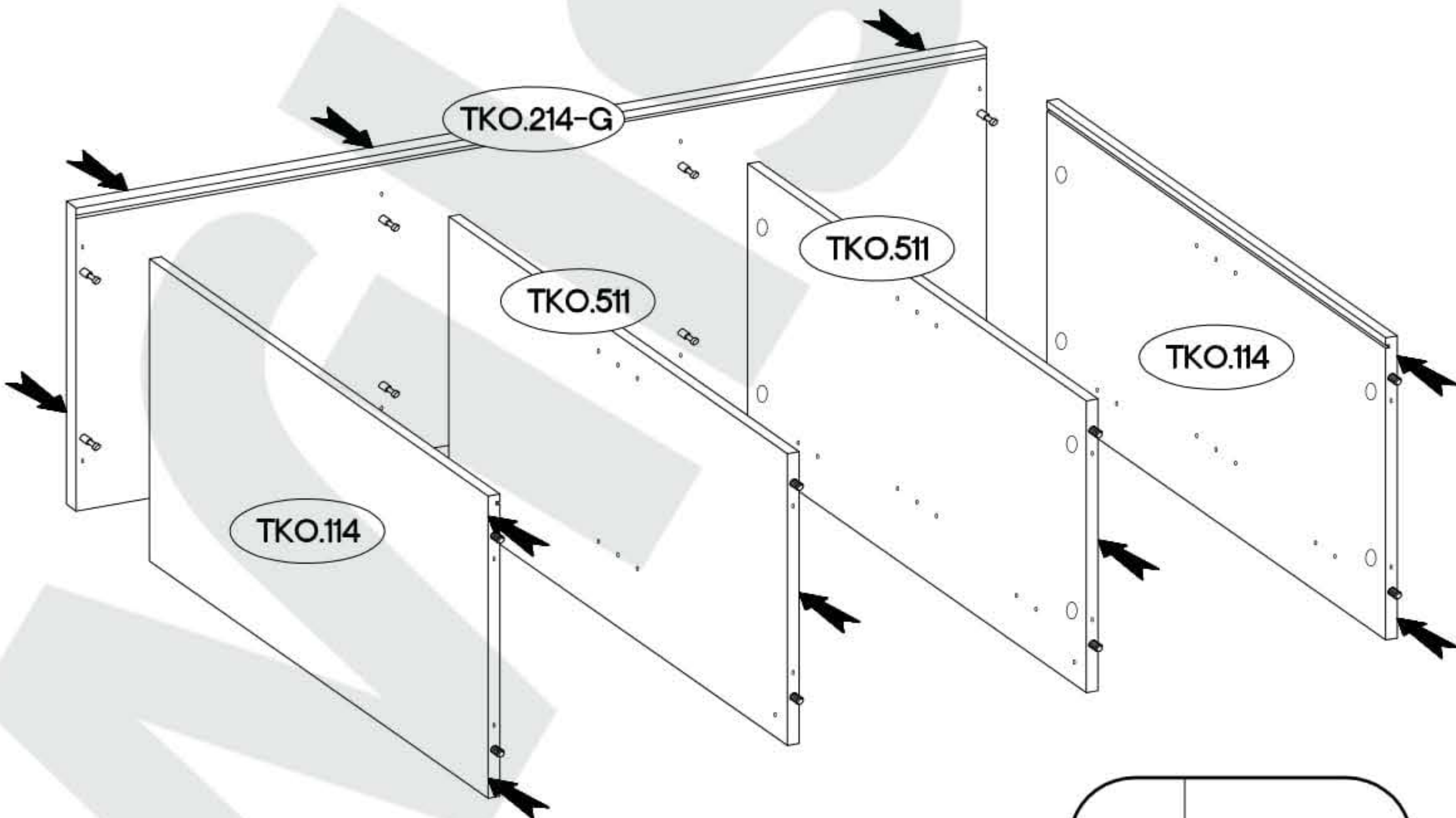
L=20mm 
D2
8



3

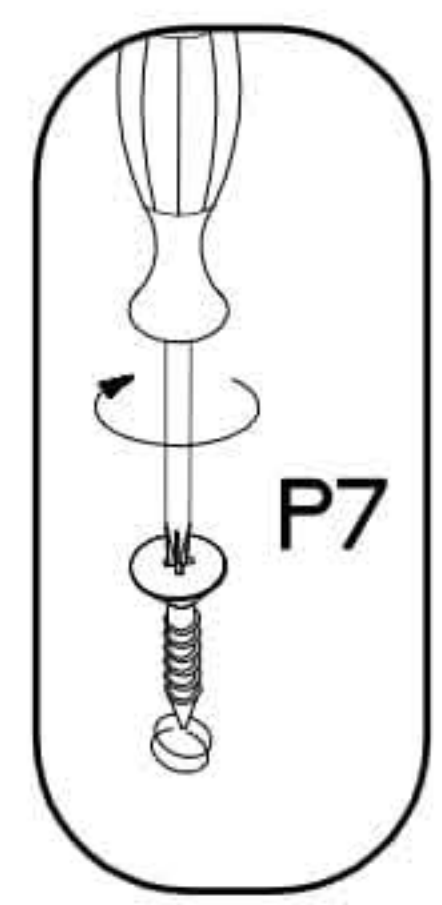
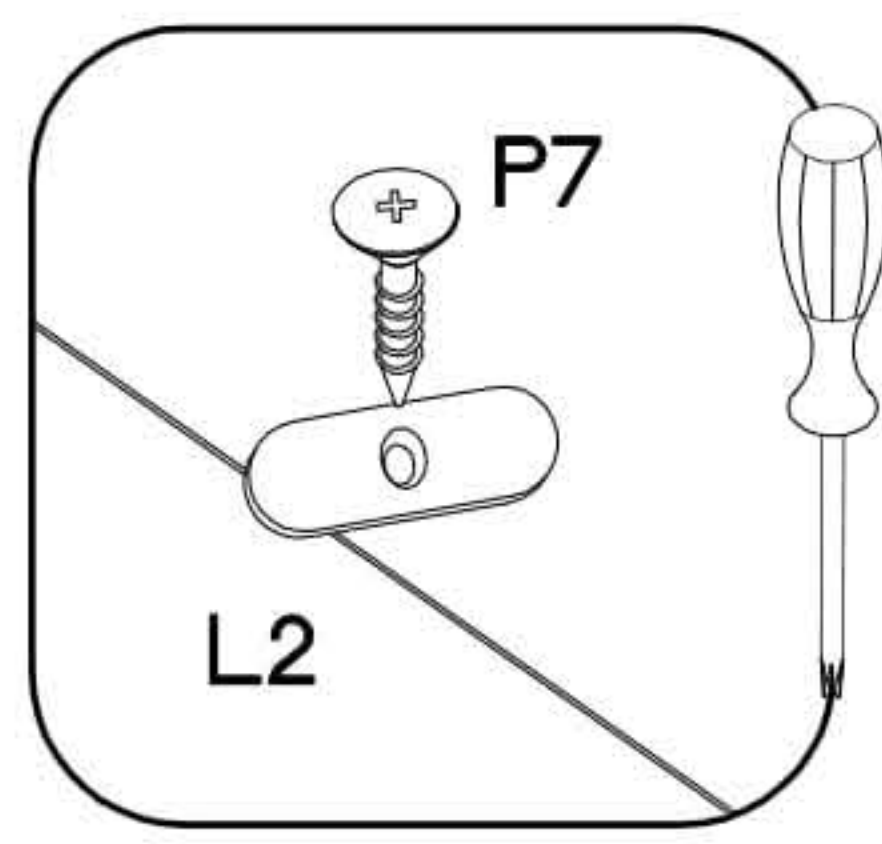
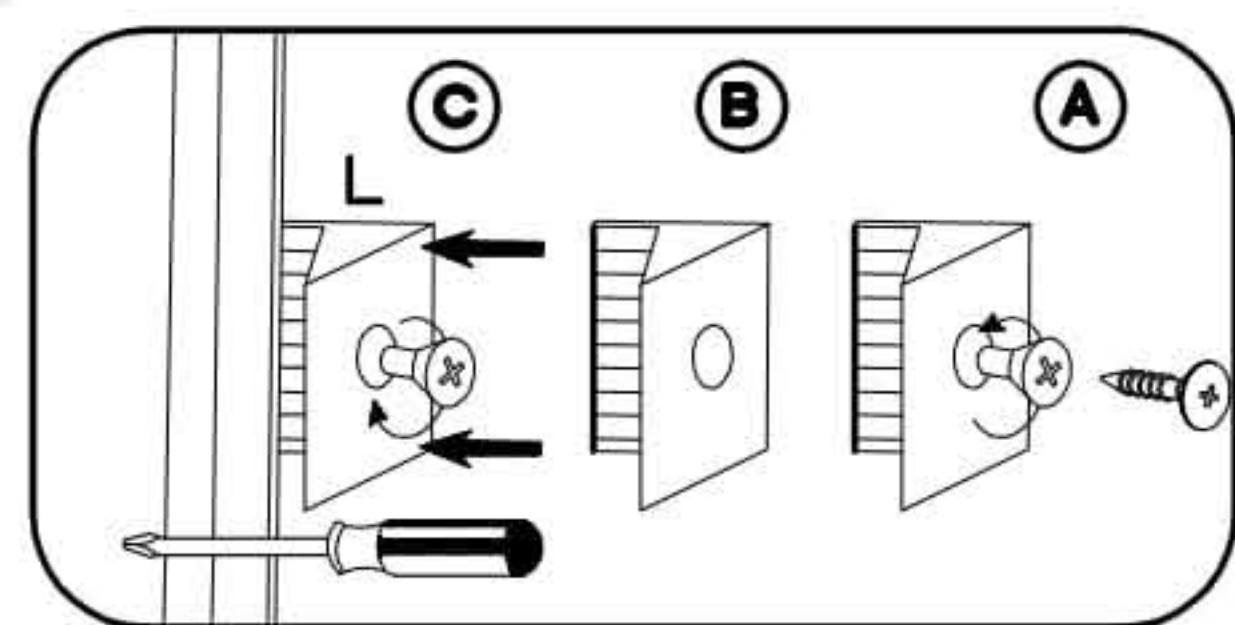
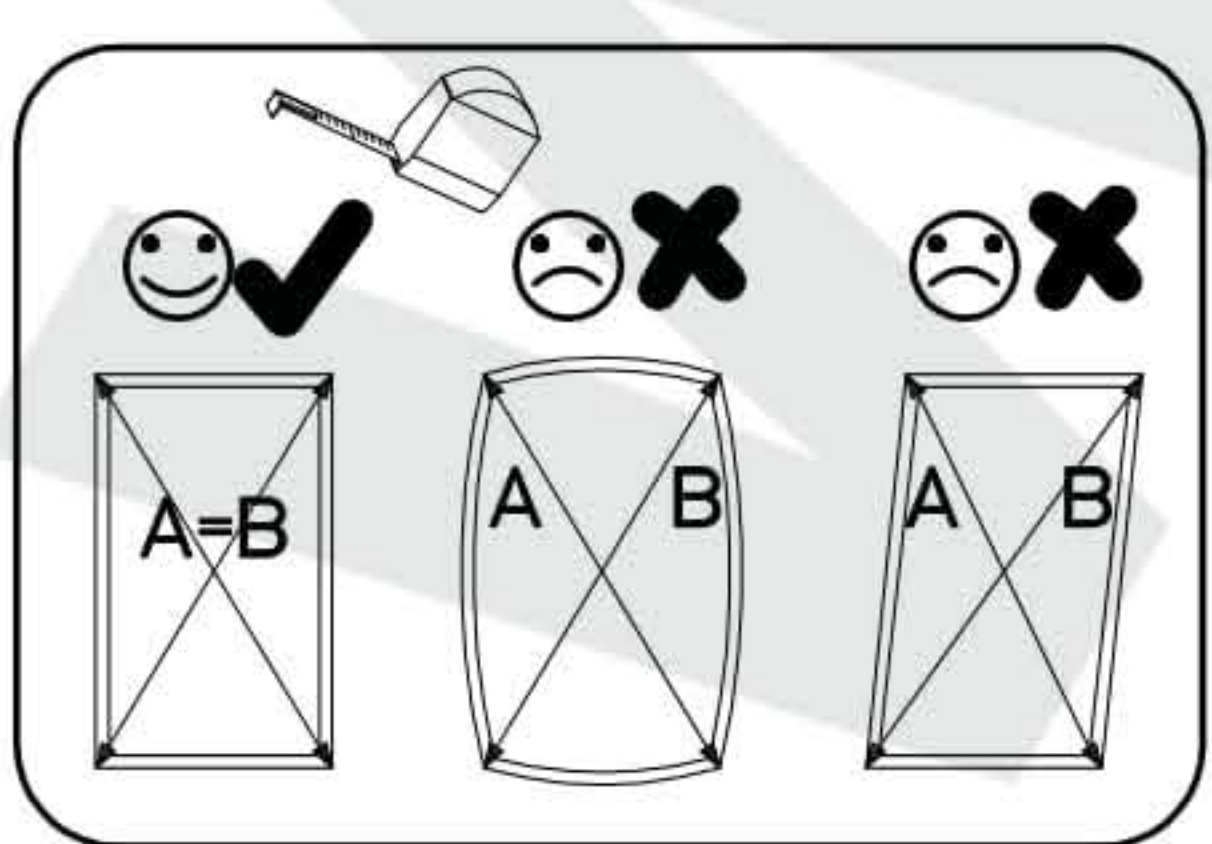
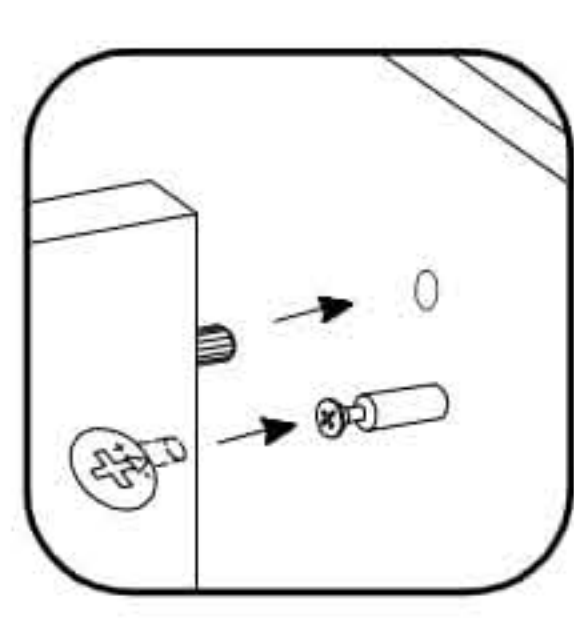
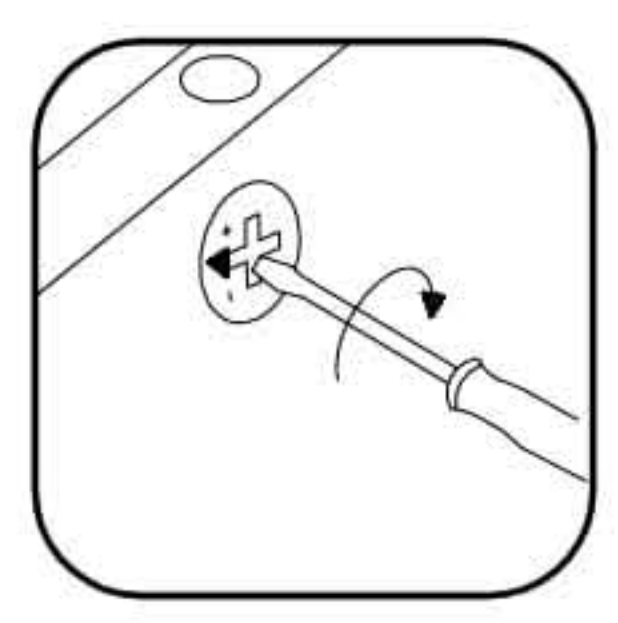
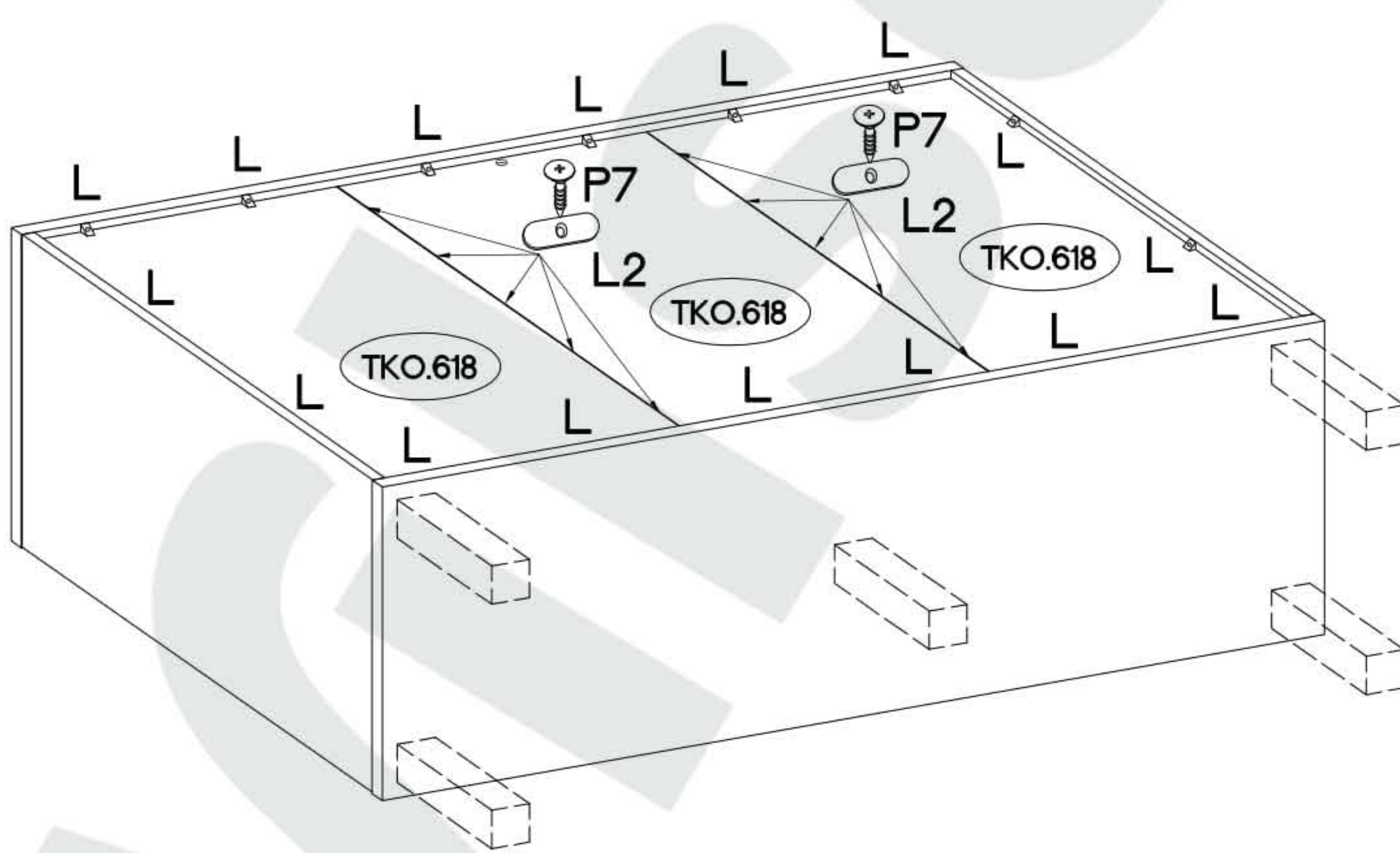
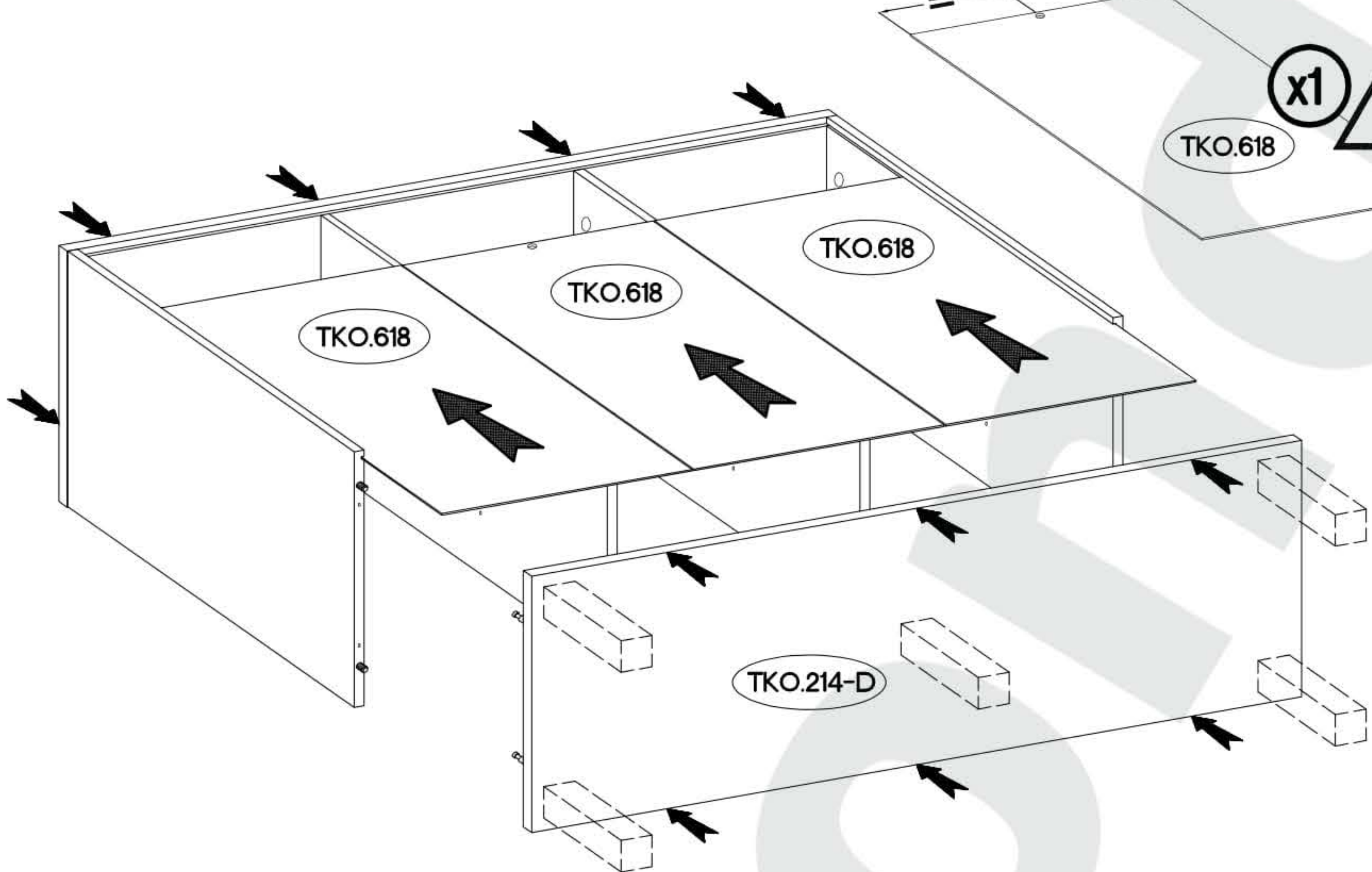
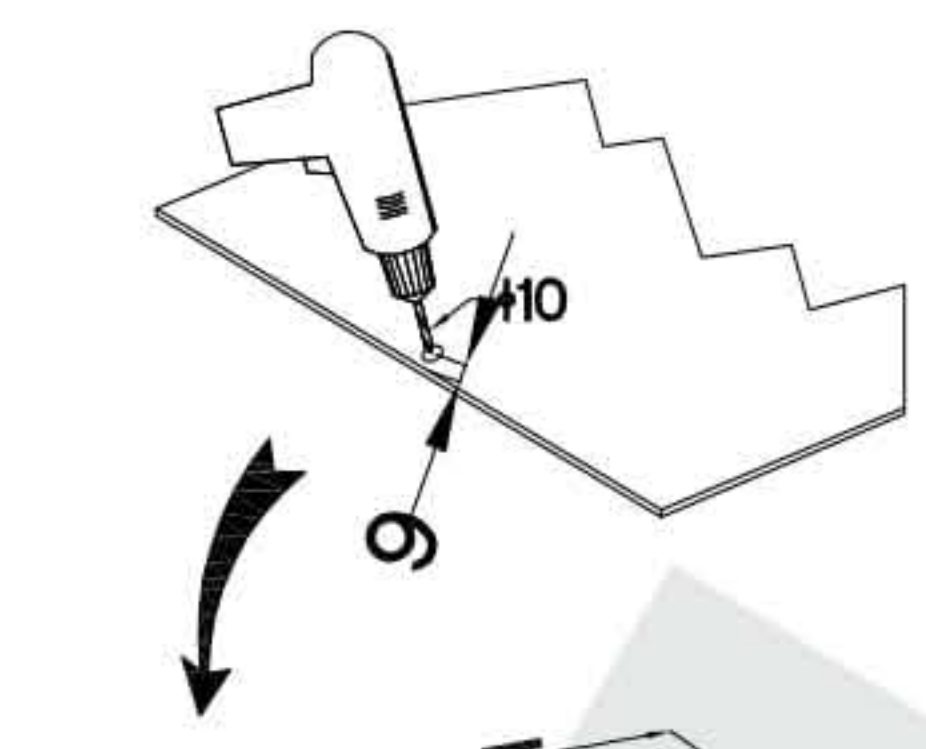


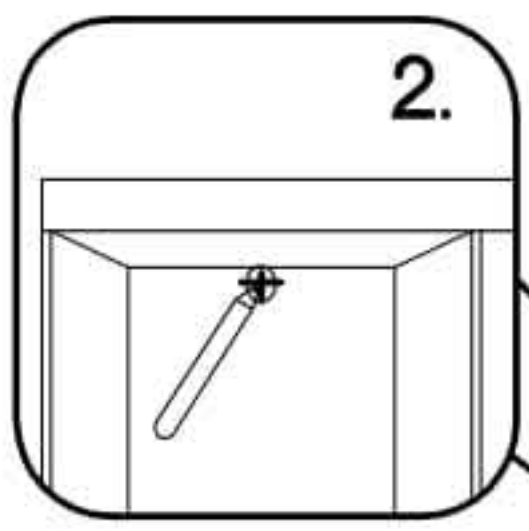
4



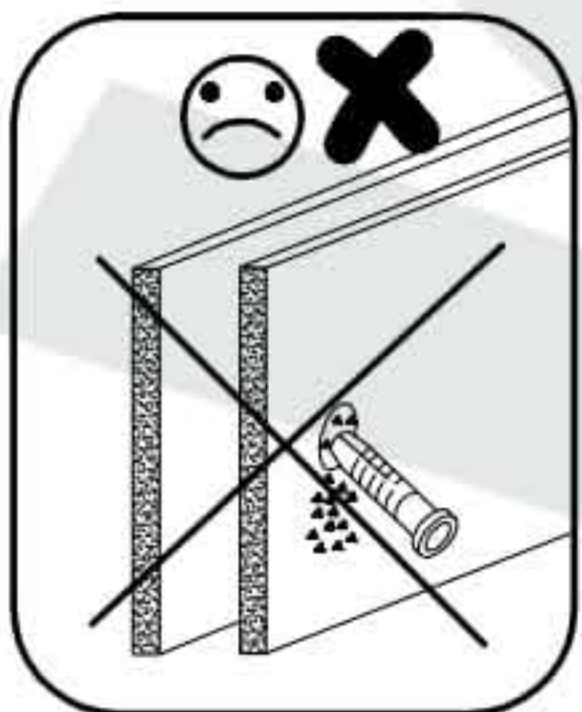
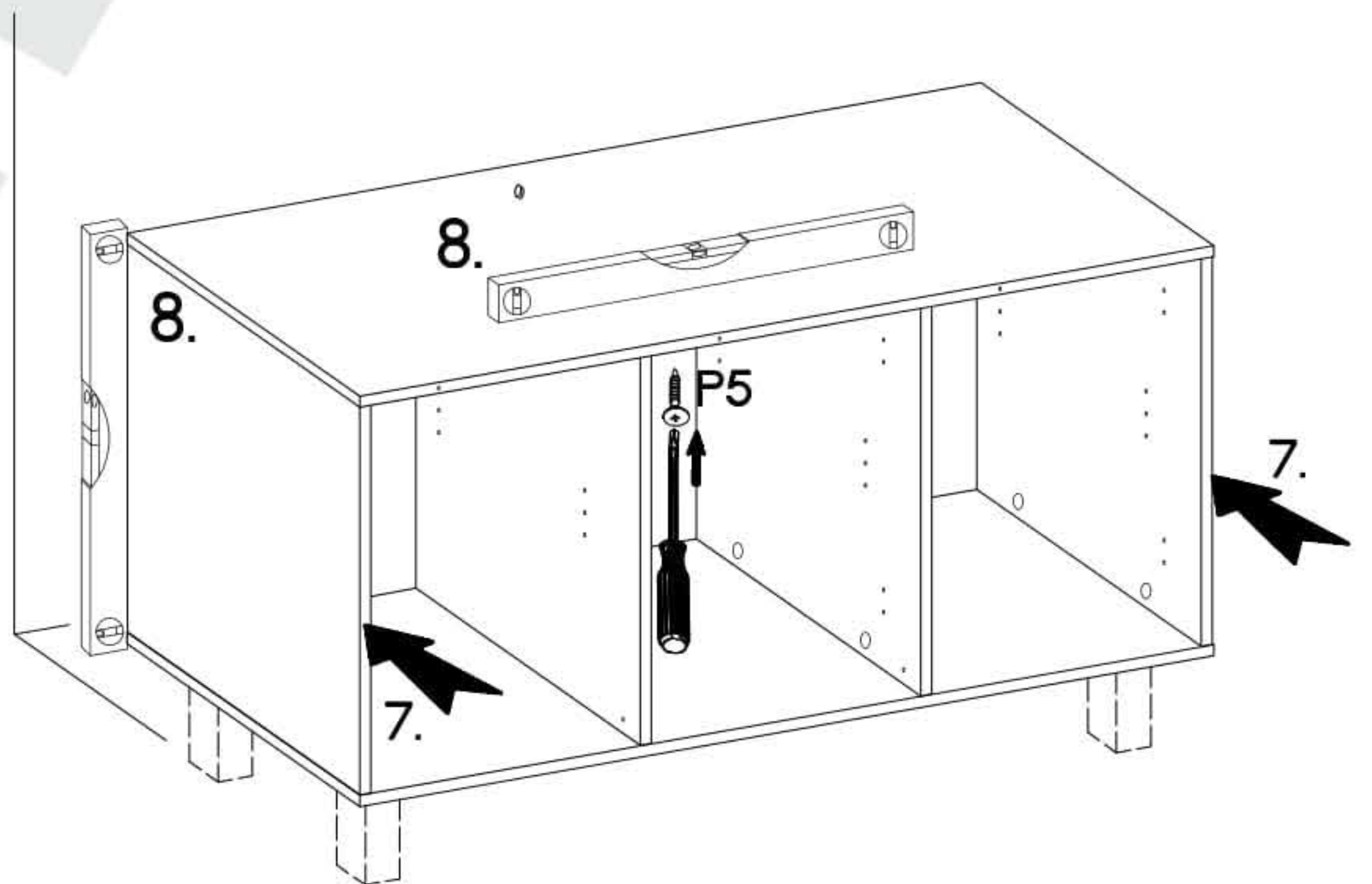
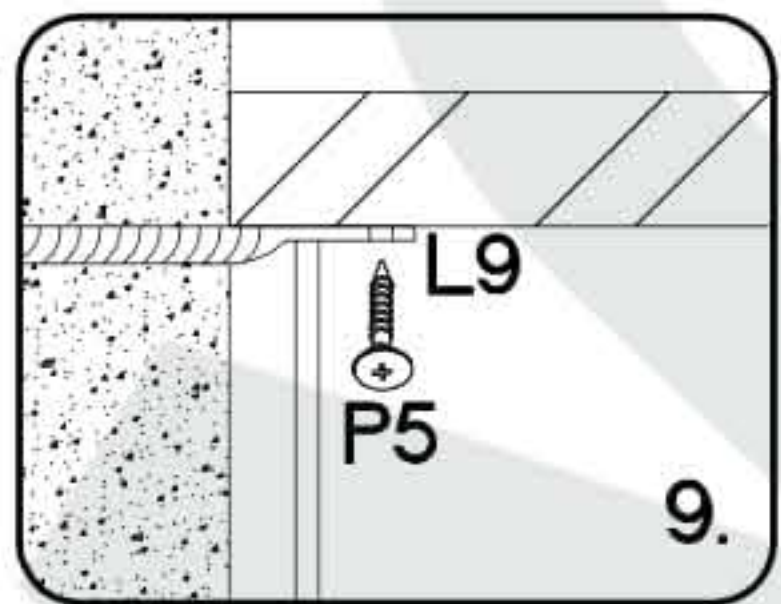
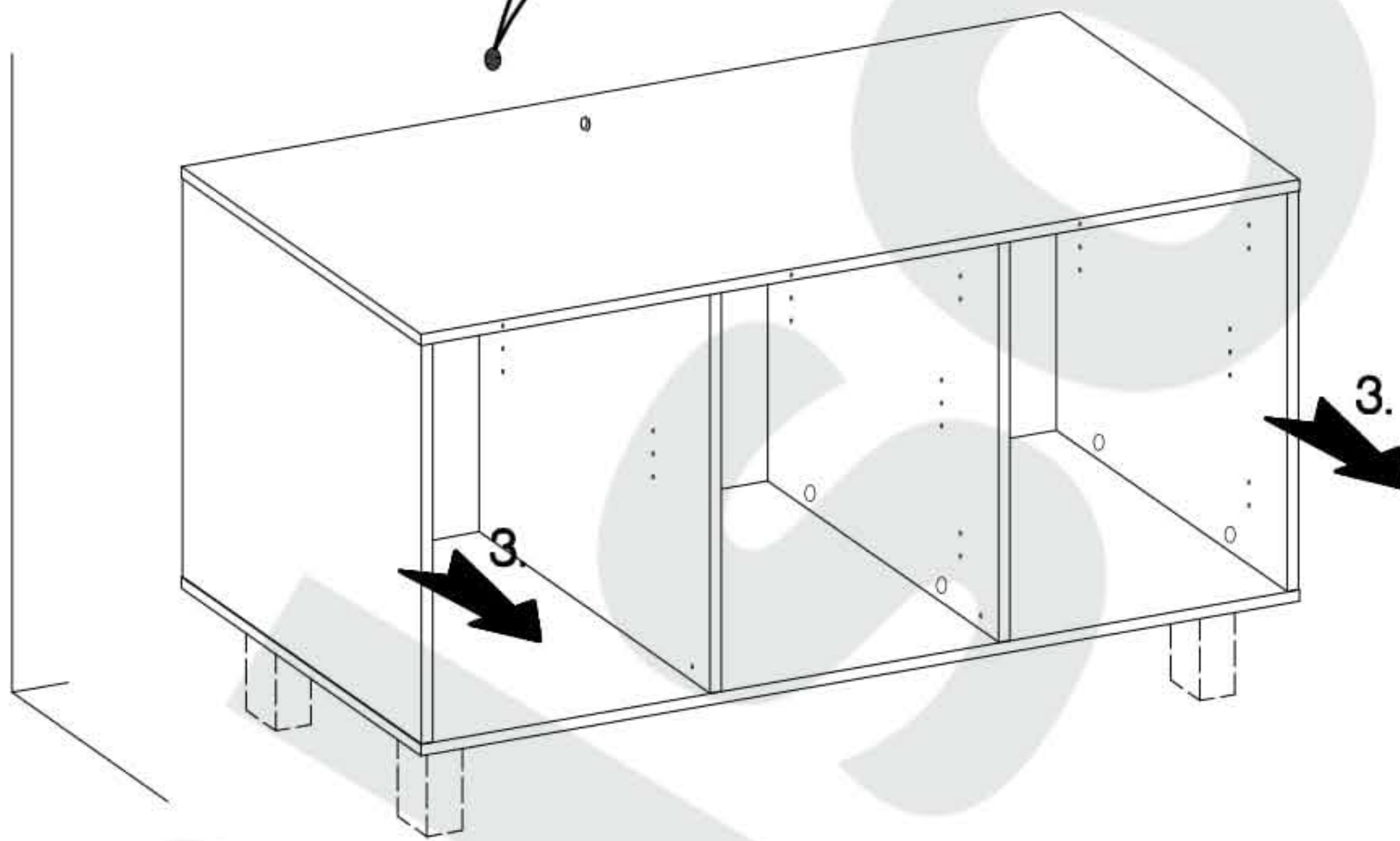
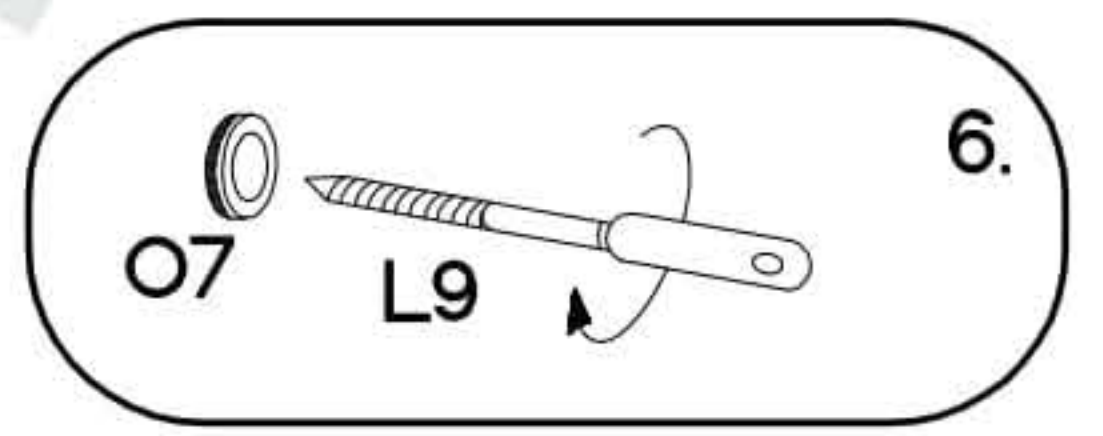
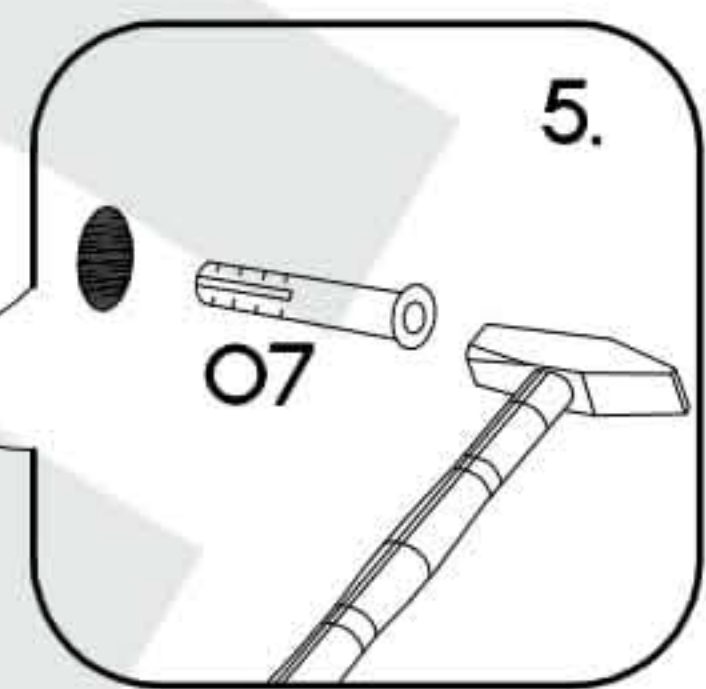
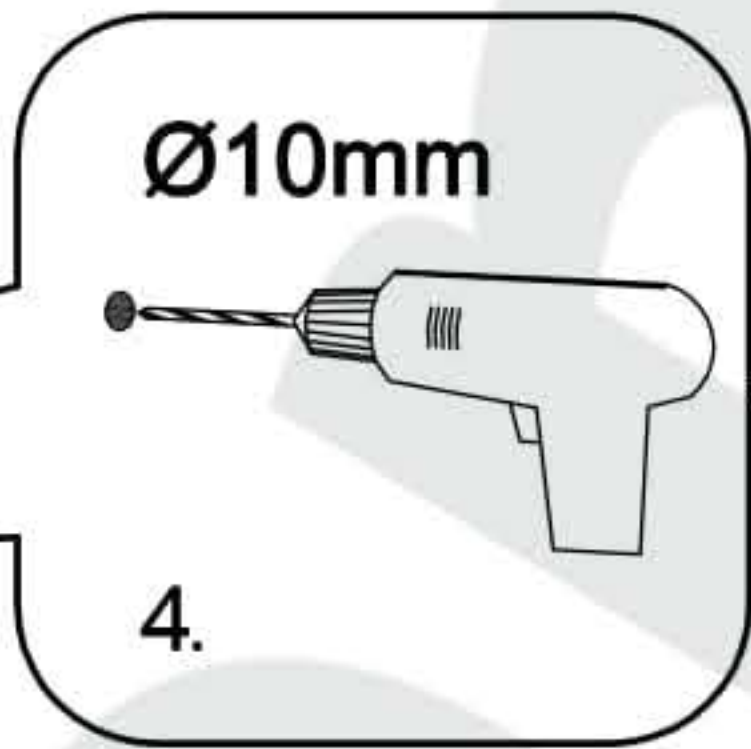
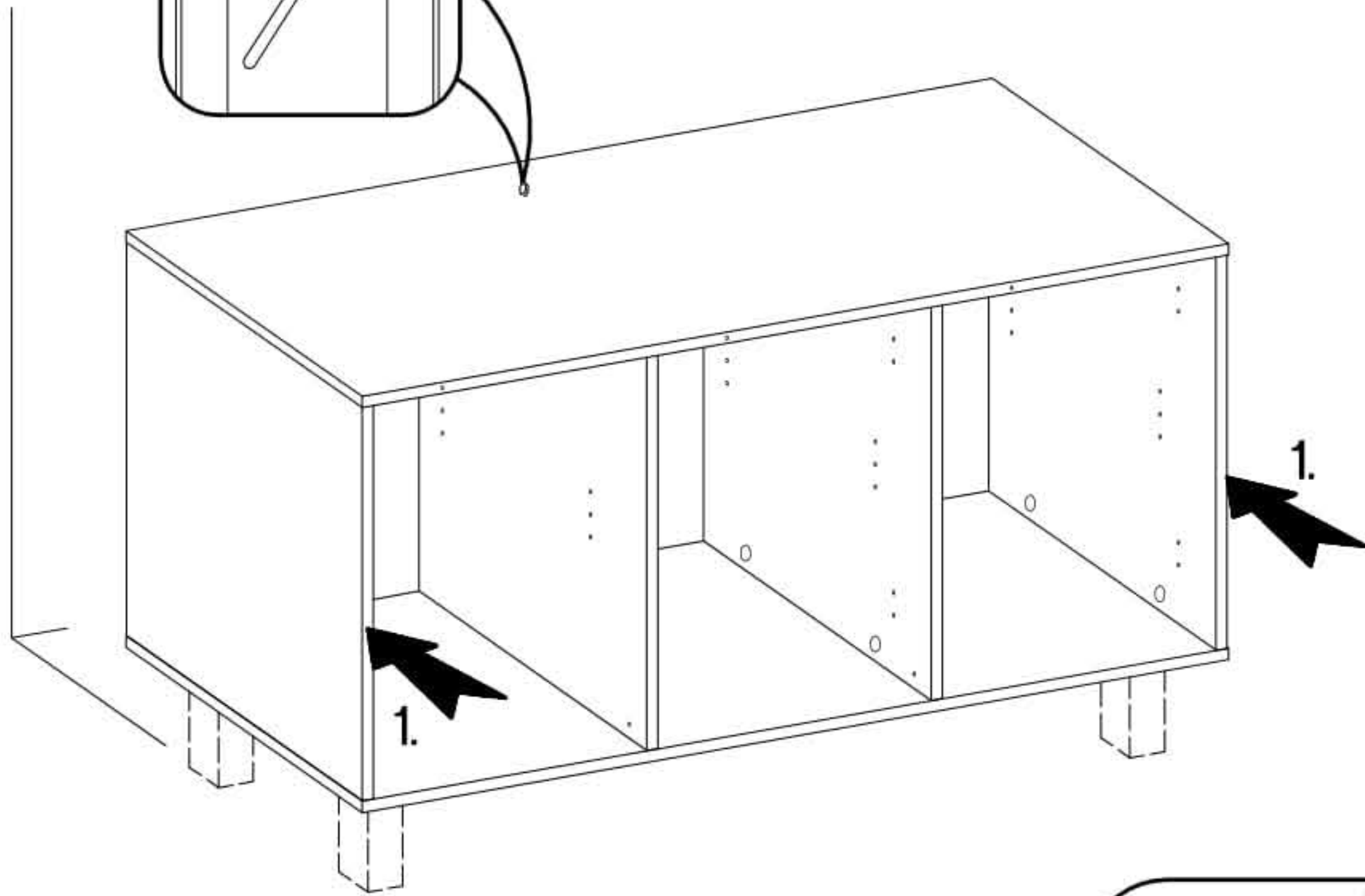
5

3.0x20mm		
P7	L2	L
10	10	16

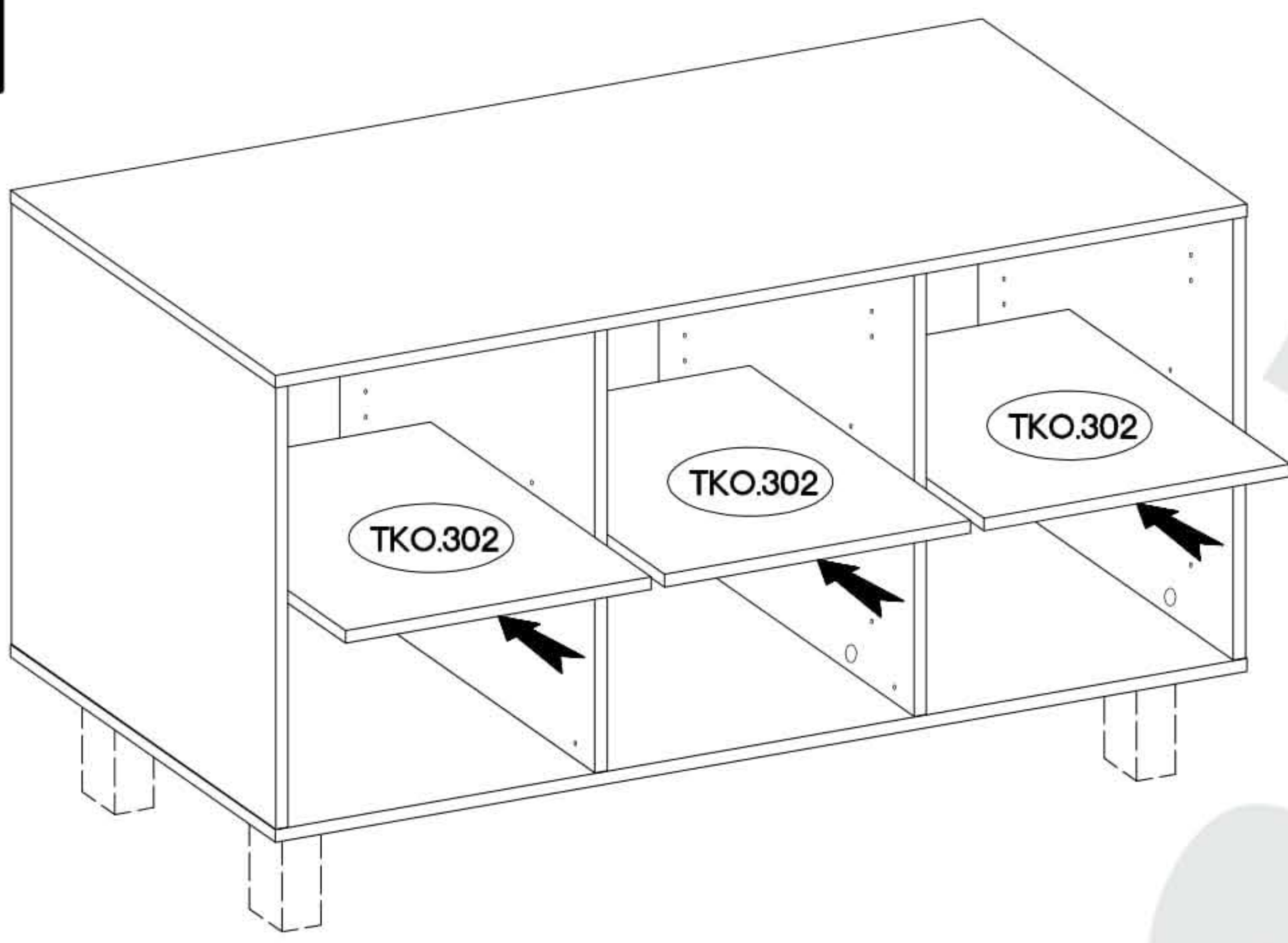




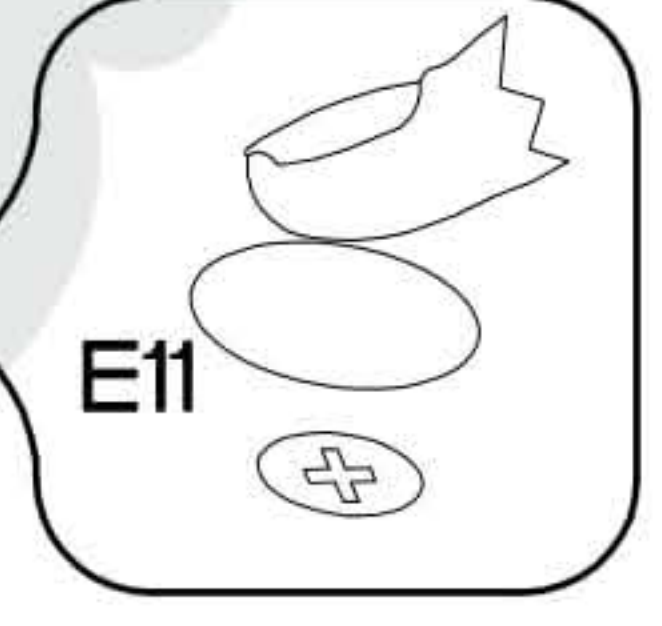
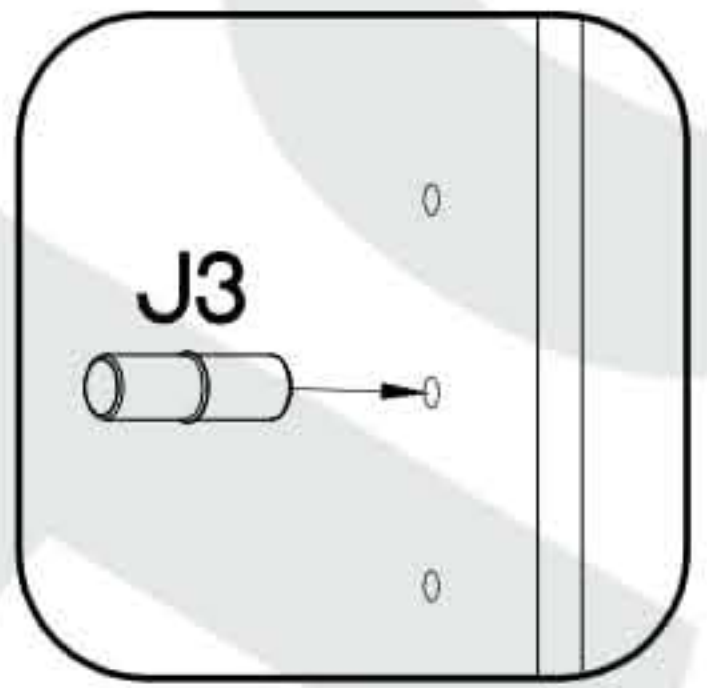
<p>∅10x50mm</p> <p>O7</p> <p>1</p>	<p>L9</p> <p>L9</p> <p>1</p>	<p>∅3.5x13mm</p> <p>P5</p> <p>1</p>
------------------------------------	------------------------------	-------------------------------------



7



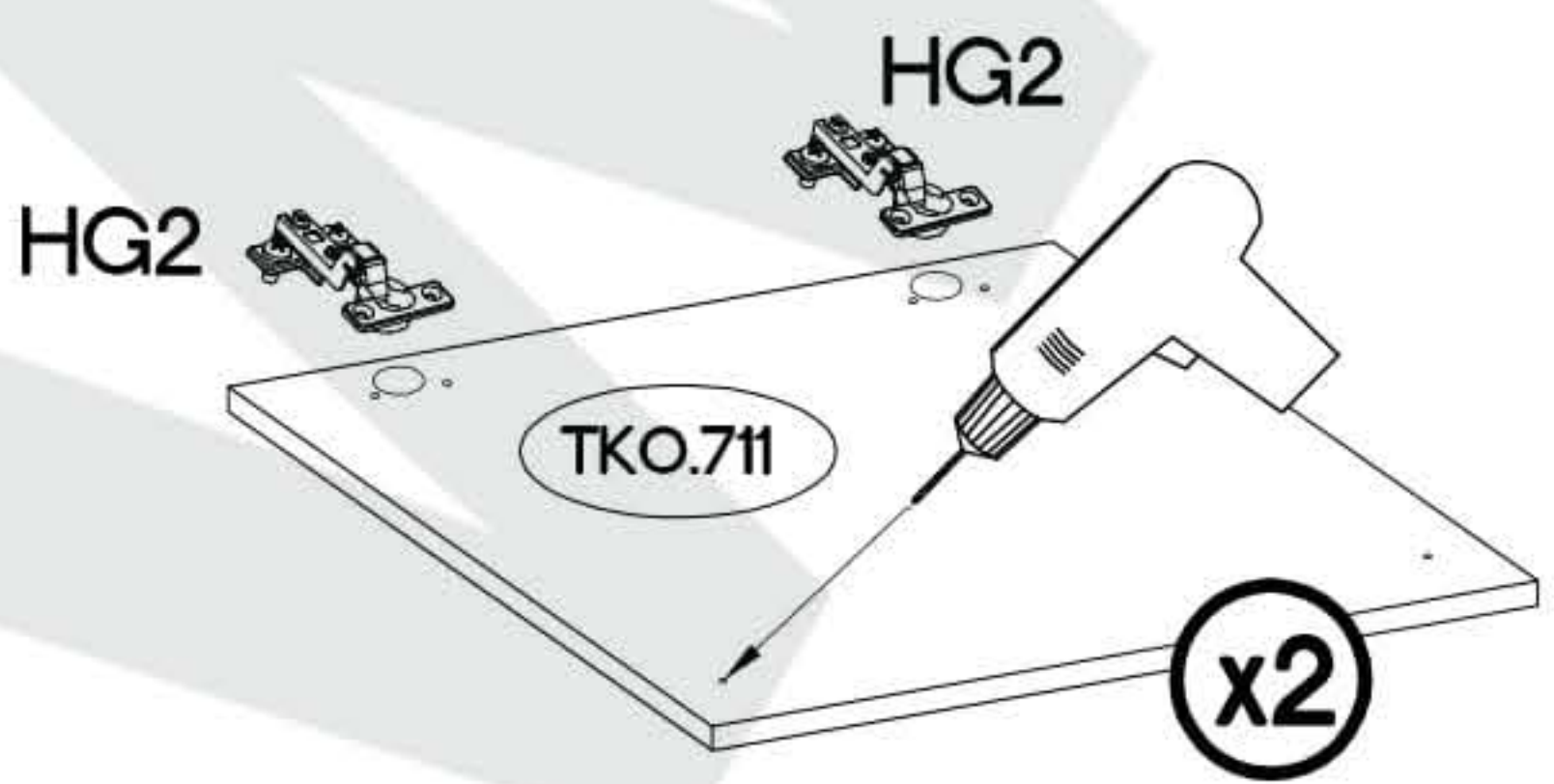
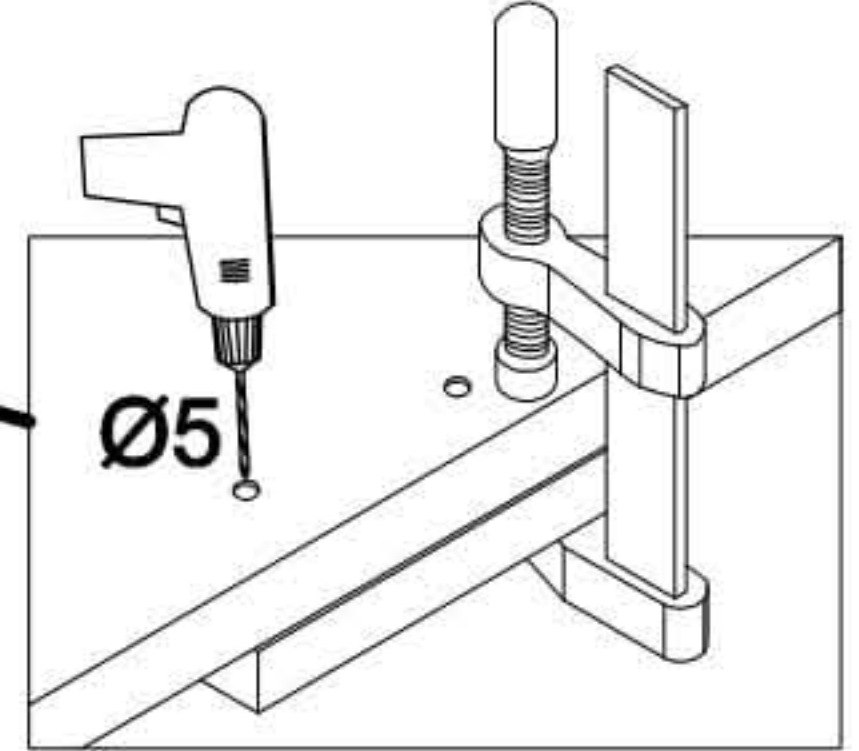
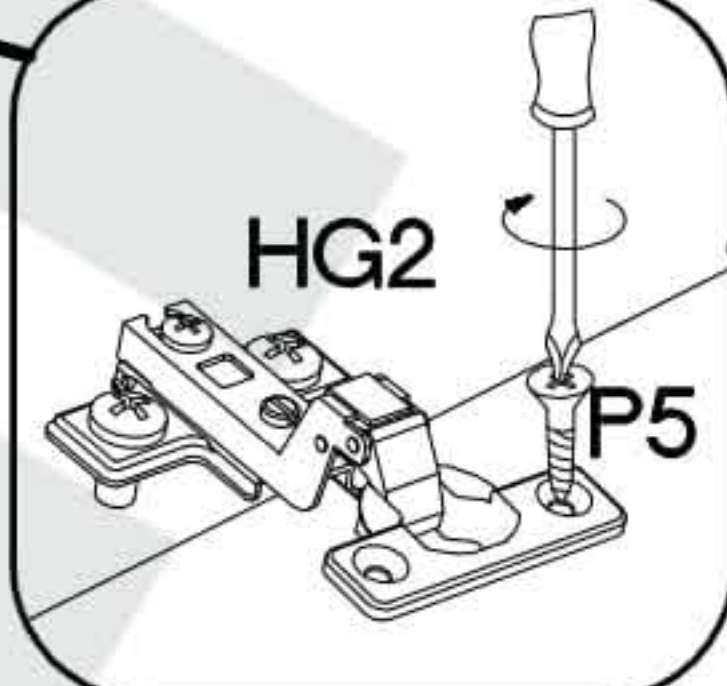
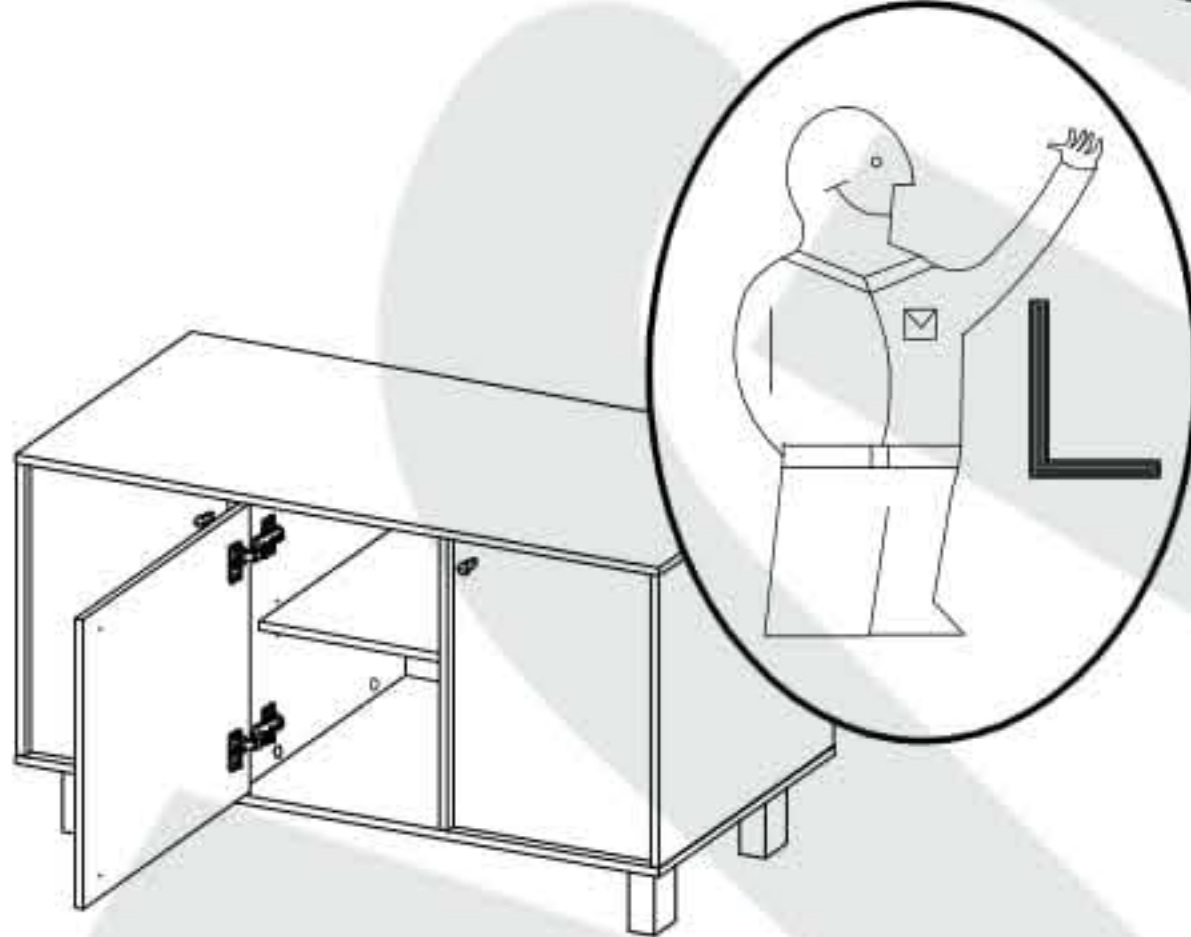
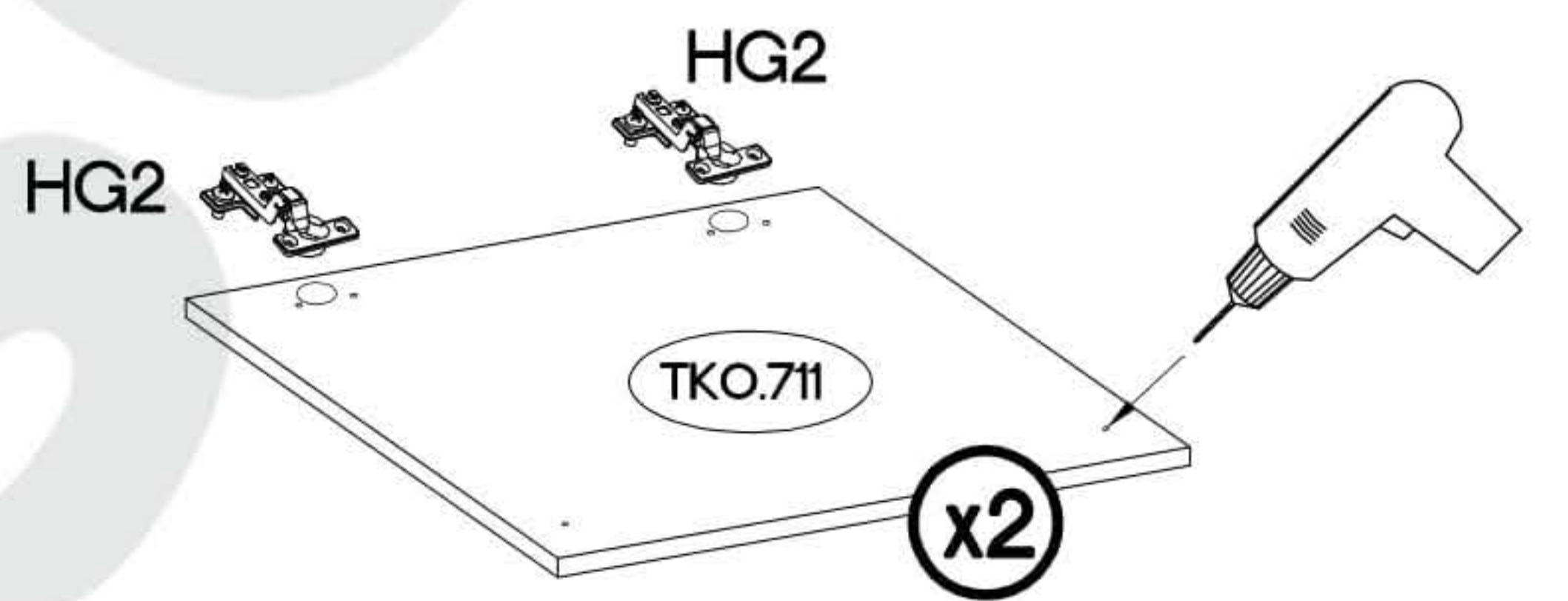
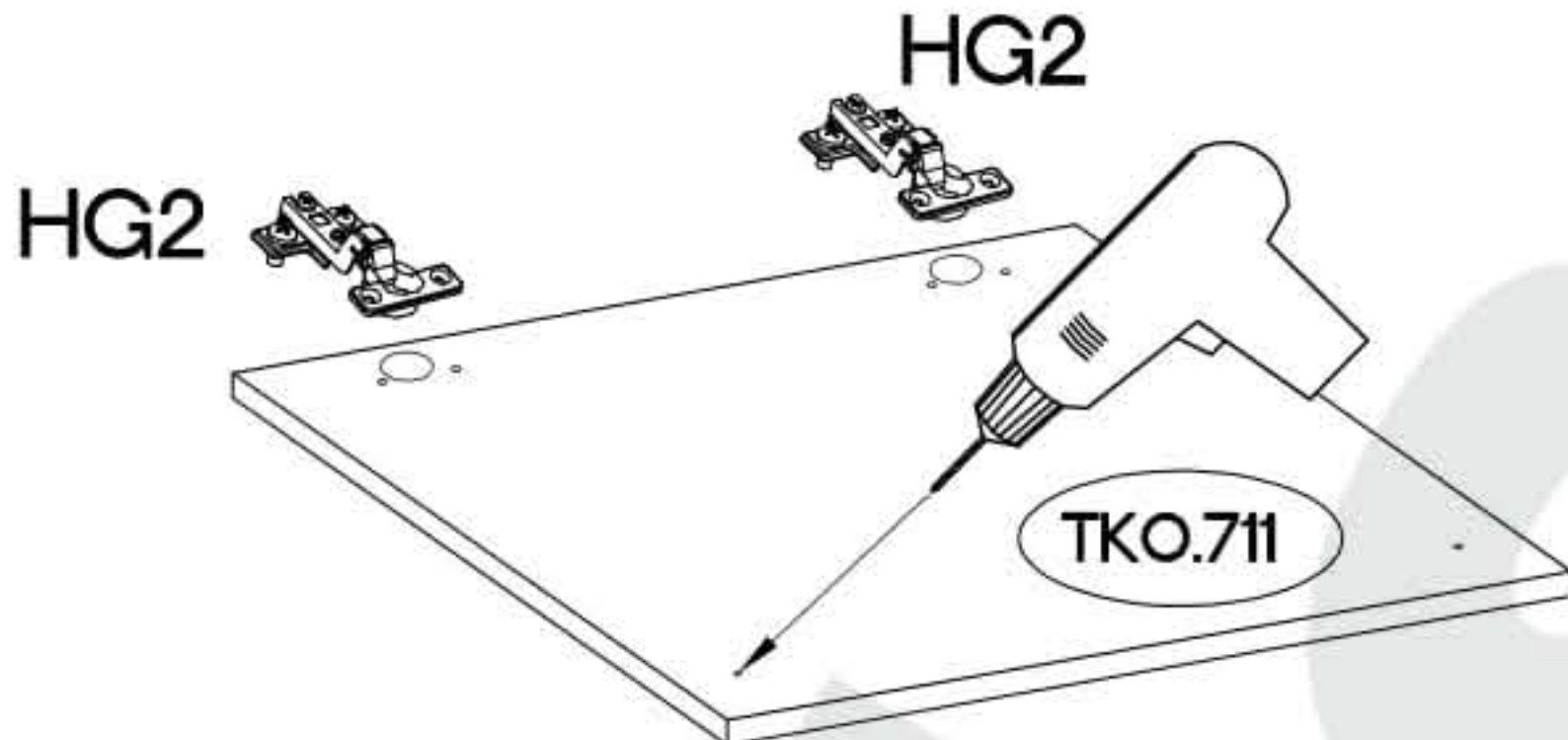
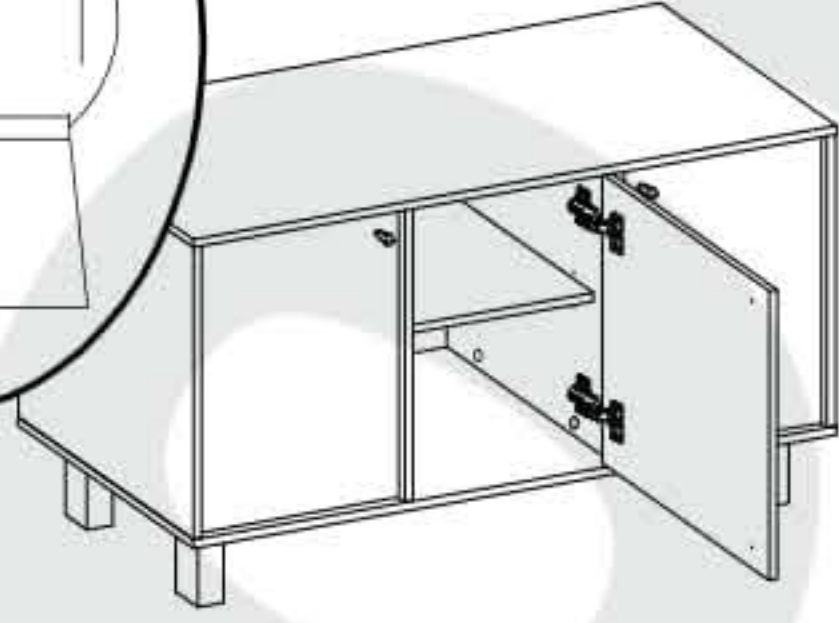
$\varnothing 5/16\text{mm}$	$\varnothing 20$
J3	E11
12	16

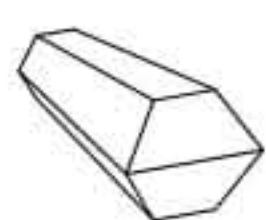




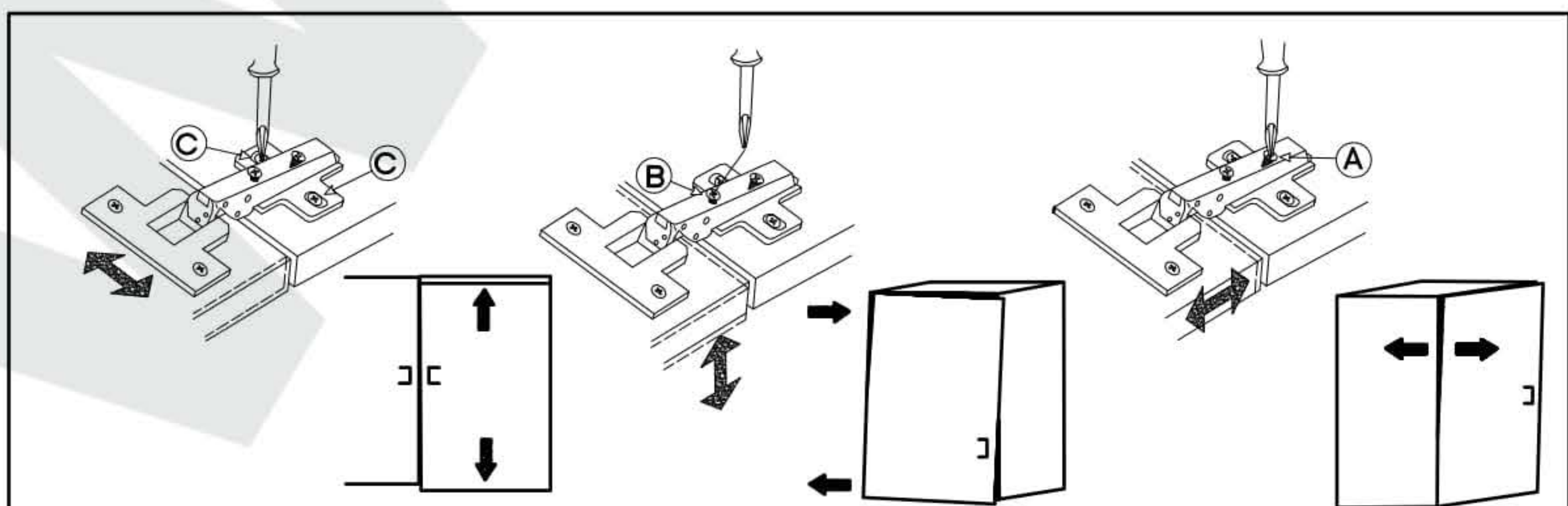
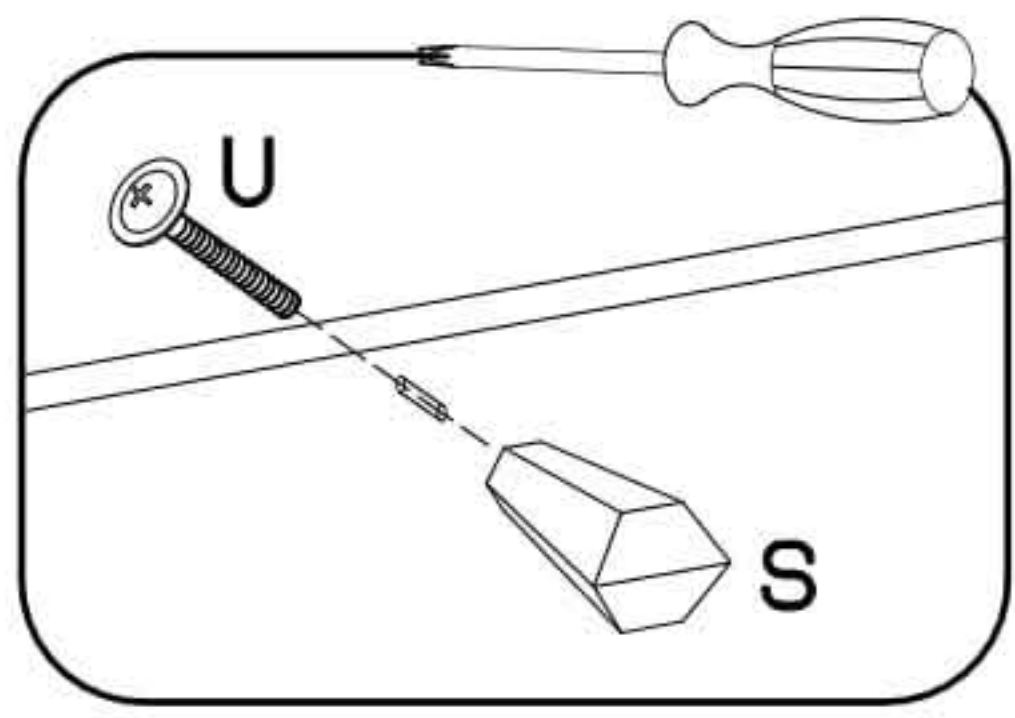
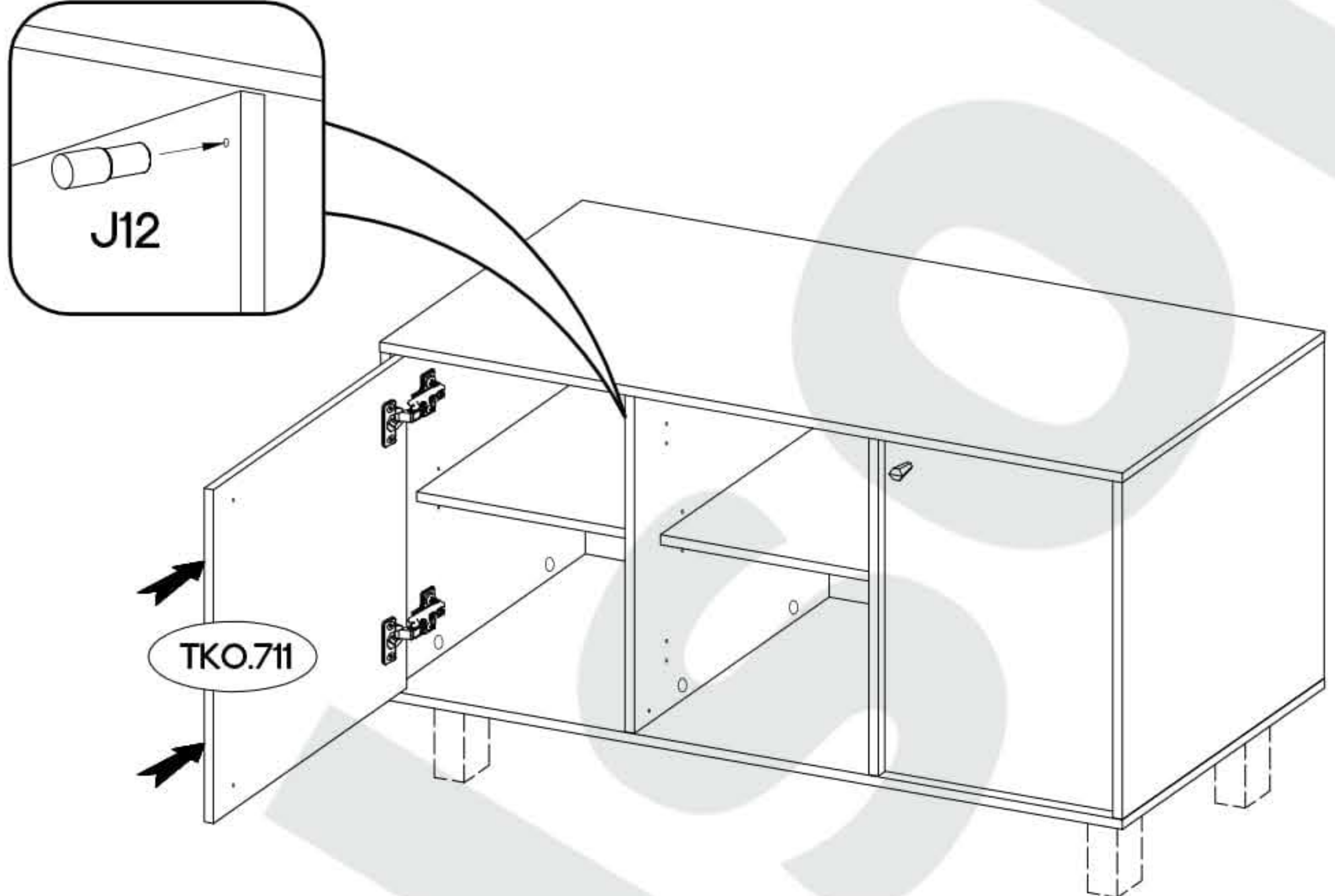
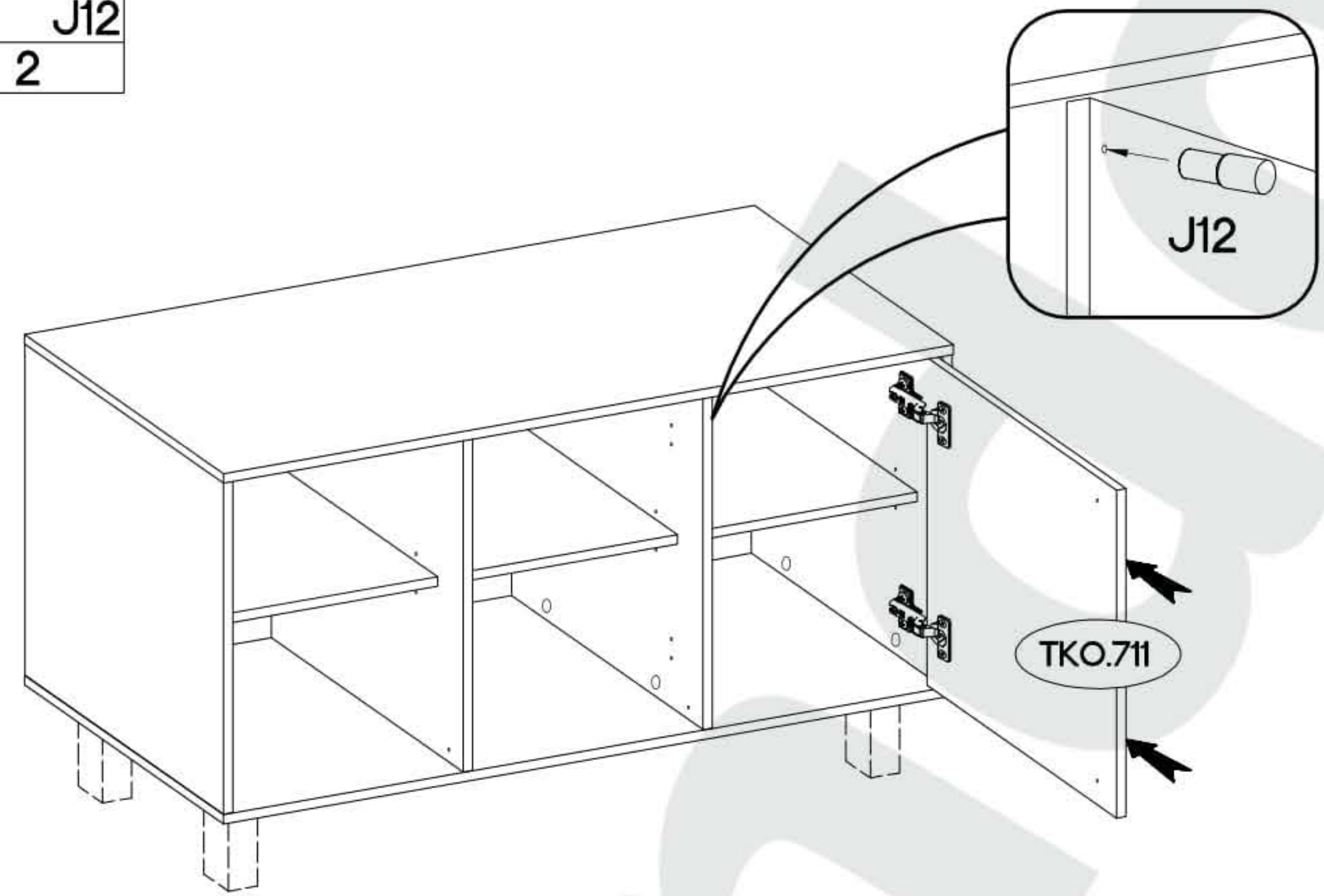
8

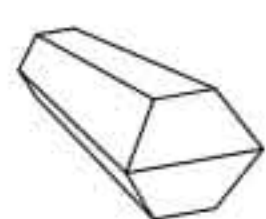




$\varnothing 35/16\text{mm}$	$\varnothing 3.5 \times 13\text{mm}$
HG2	P5
6	12



 S	M4x22mm  U	 J12
2	2	2



	M4x22mm 	
S	U	J12
1	1	1

