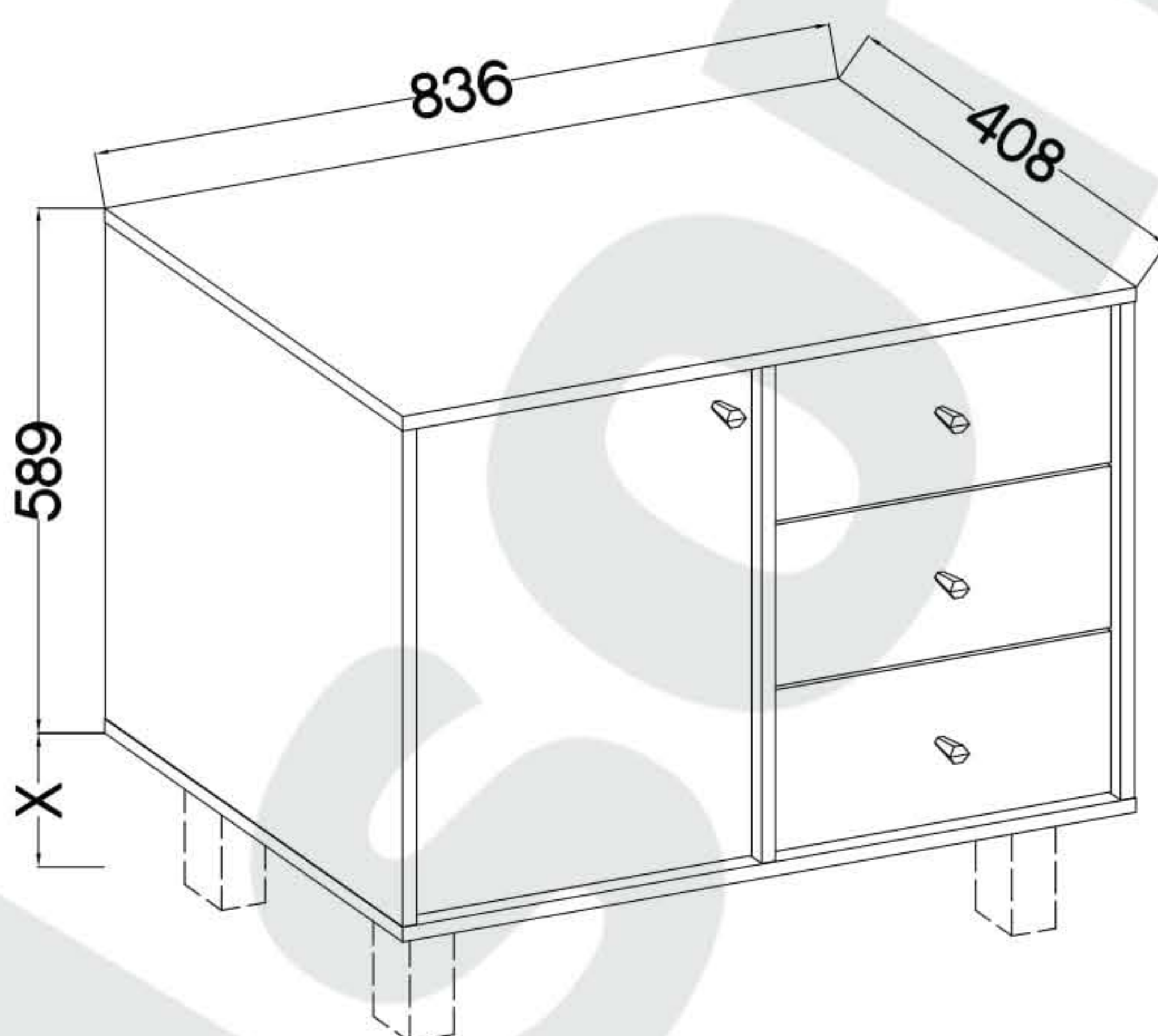


90 min

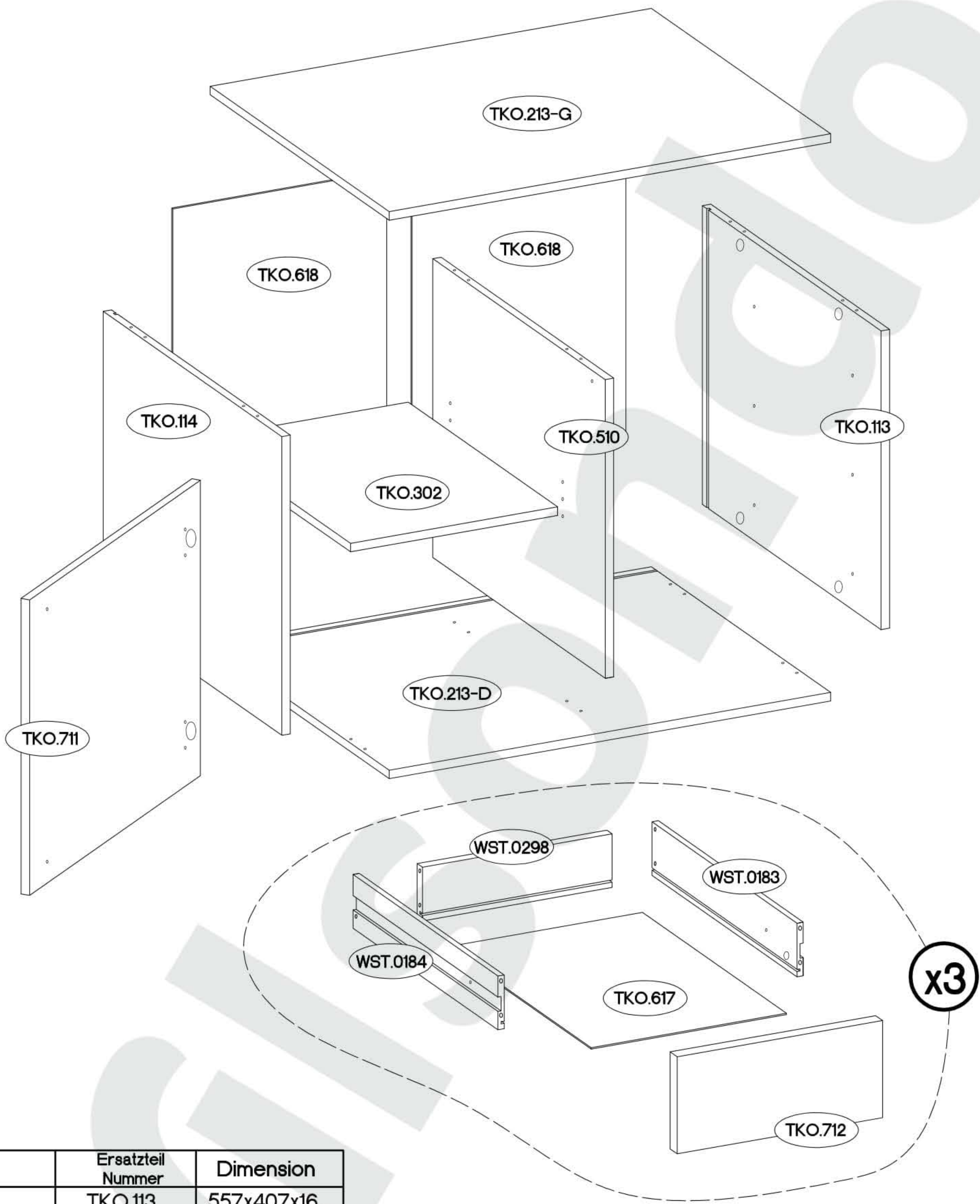
TYP 814



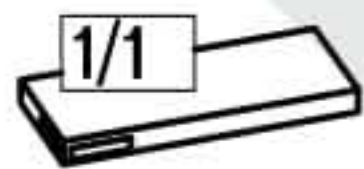
†8x30mm  A 24	†6x42mm  B2 6	†15/12mm  C 12	†12/10mm  C5 6	L=20mm  D2 18	†20  E11 4	†35/16mm  HG2 2	27/310mm  I4 3	†5/16mm  J3 4		
 J12 1	 L 18	 L2 5	 L9 1	†6,3x13mm  M2 12	†10x50mm  O7 1	†3.5x13mm  P5 5	†3.0x20mm  P7 5	 S 4	M4x22mm  U 4	M4x9mm  U1 6

ISM-TKO-011





Ersatzteil Nummer	Dimension
TKO.113	557x407x16
TKO.114	557x407x16
TKO.510	557x393x16
TKO.213 x2	836x408x16
TKO.302	392x340x16
TKO.618 x2	566x405x2,5
TKO.617 x3	370x327x2,5
WST.0183 x3	330x100x12
WST.0184 x3	330x100x12
WST.0298 x3	359x100x12
TKO.712 x3	389x181x16
TKO.711	551x389x16



TKO.213-D  
TKO.213-G




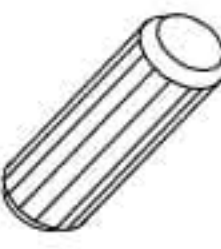
TKO.302

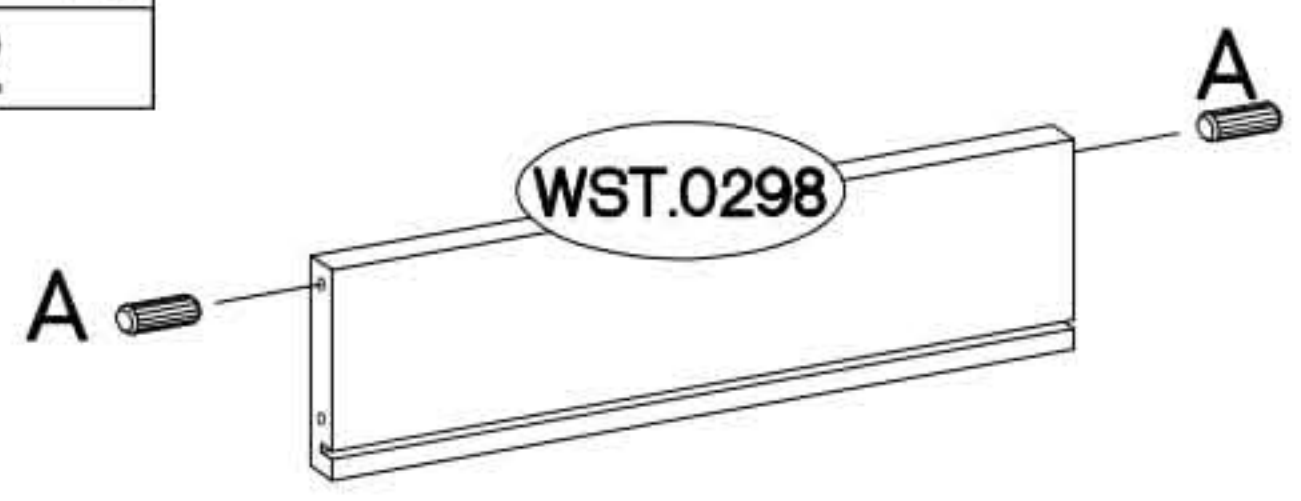


TKO.617

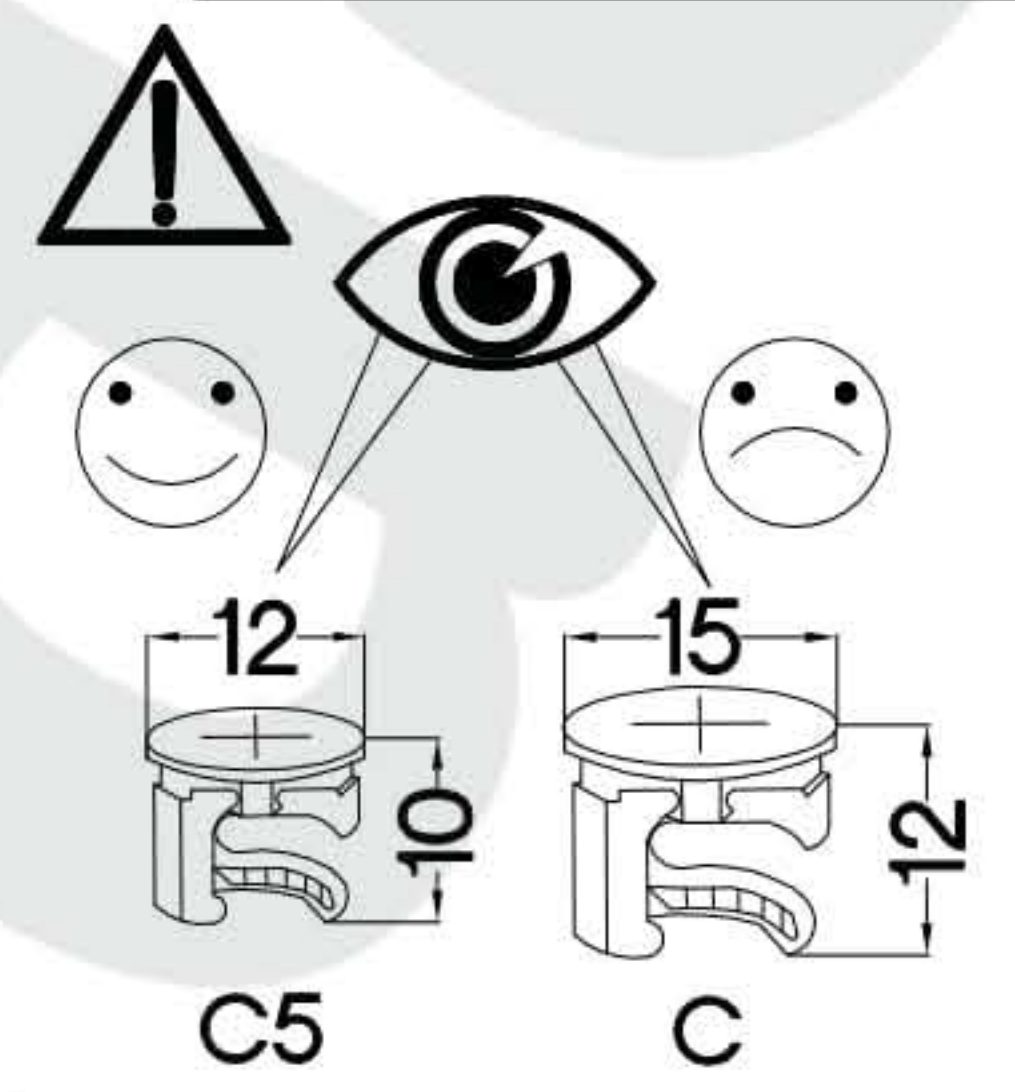
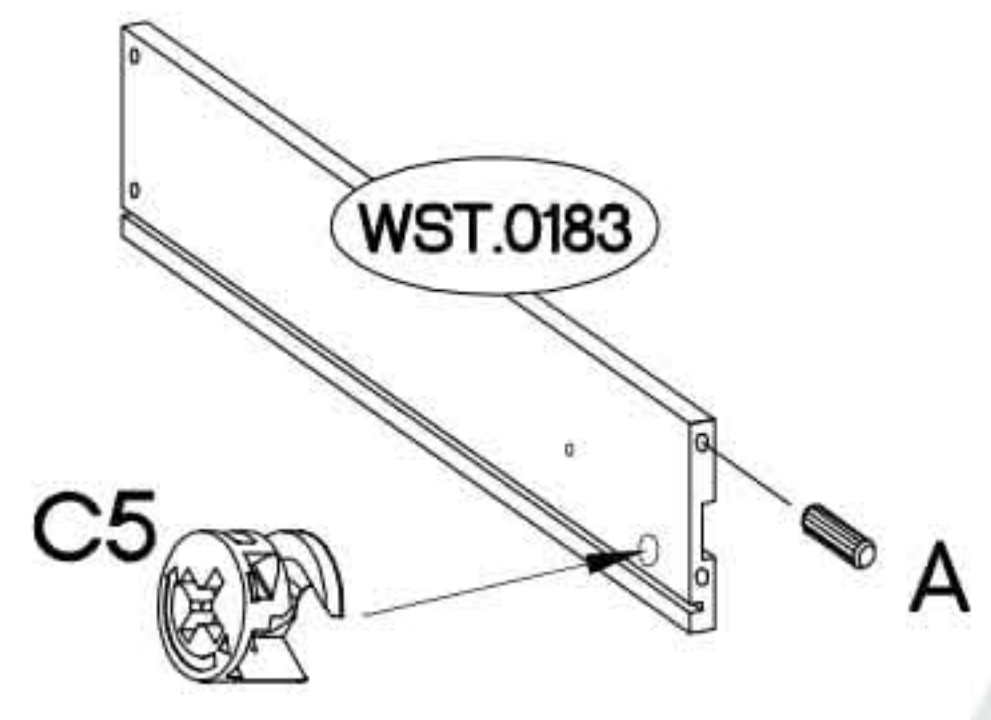
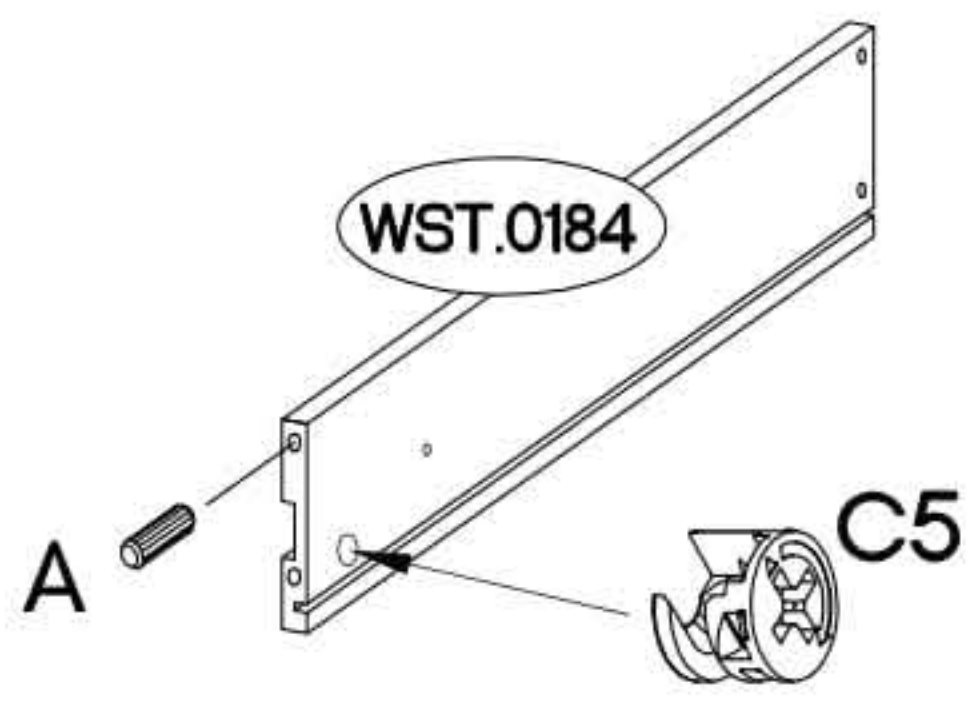
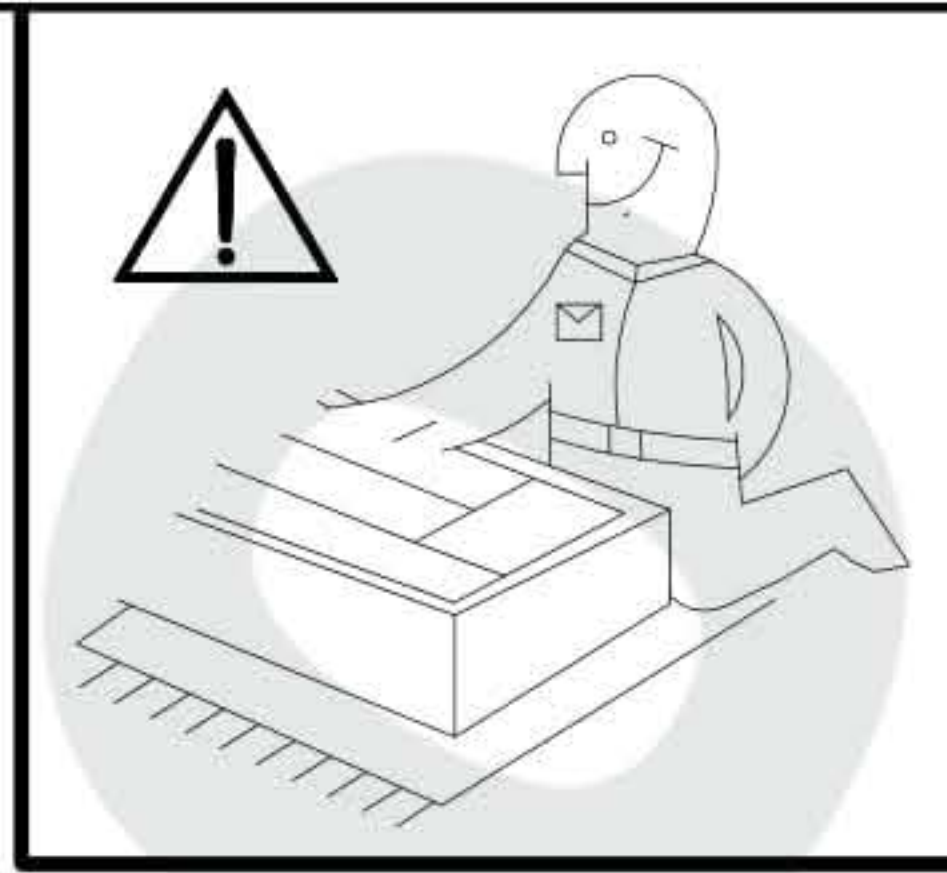


1

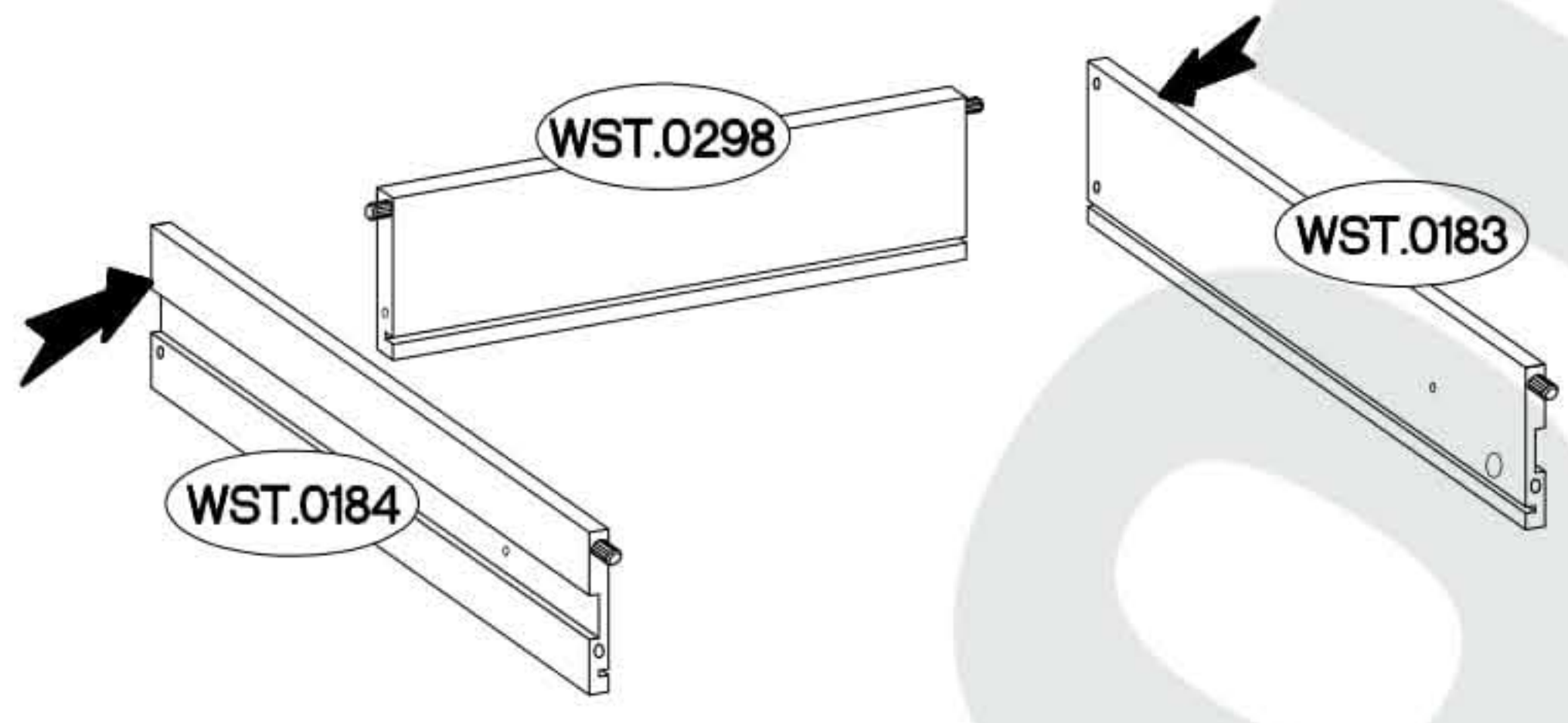
±12/10mm  C5 6	±8x30mm  A 12
---	--




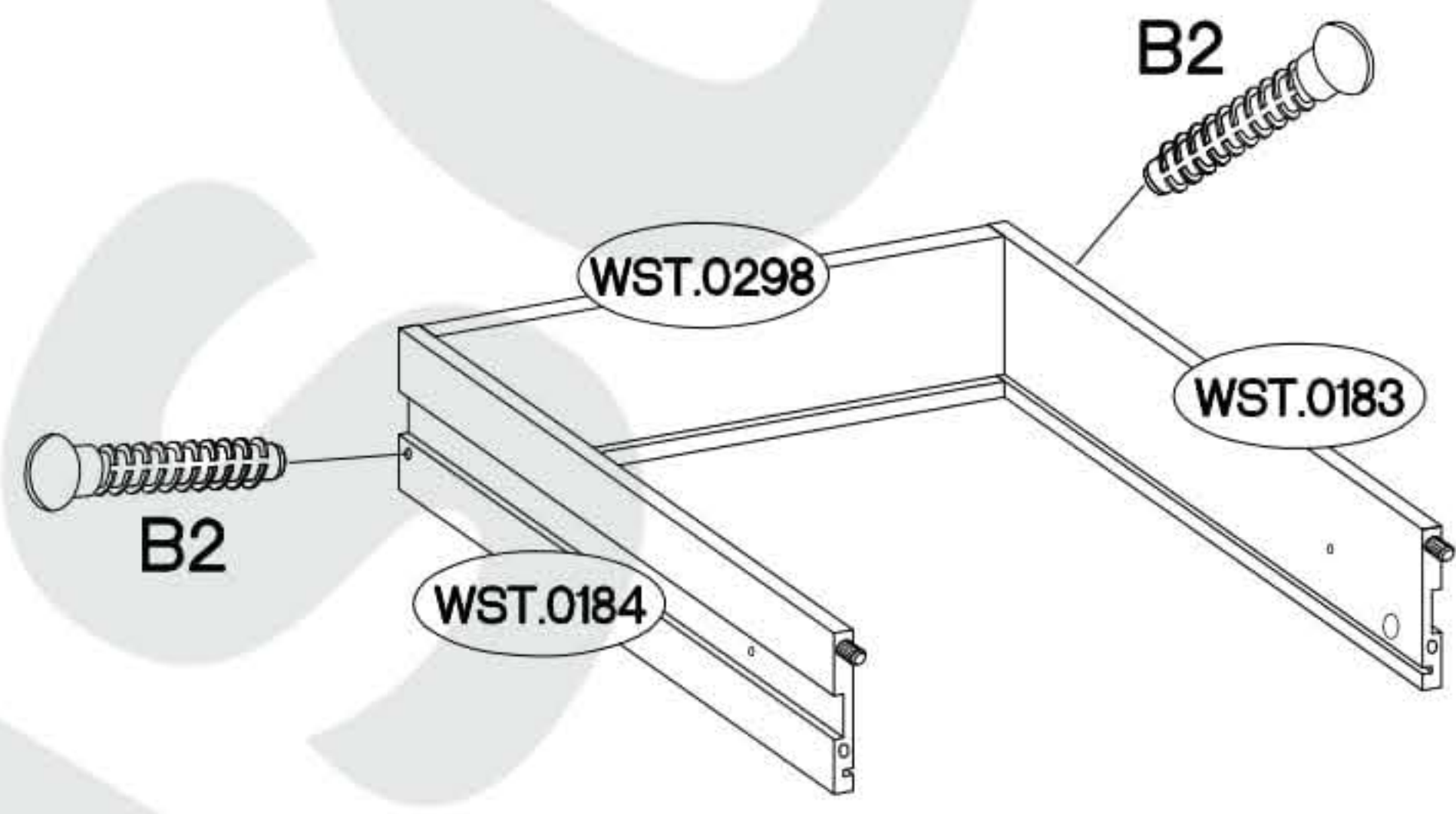
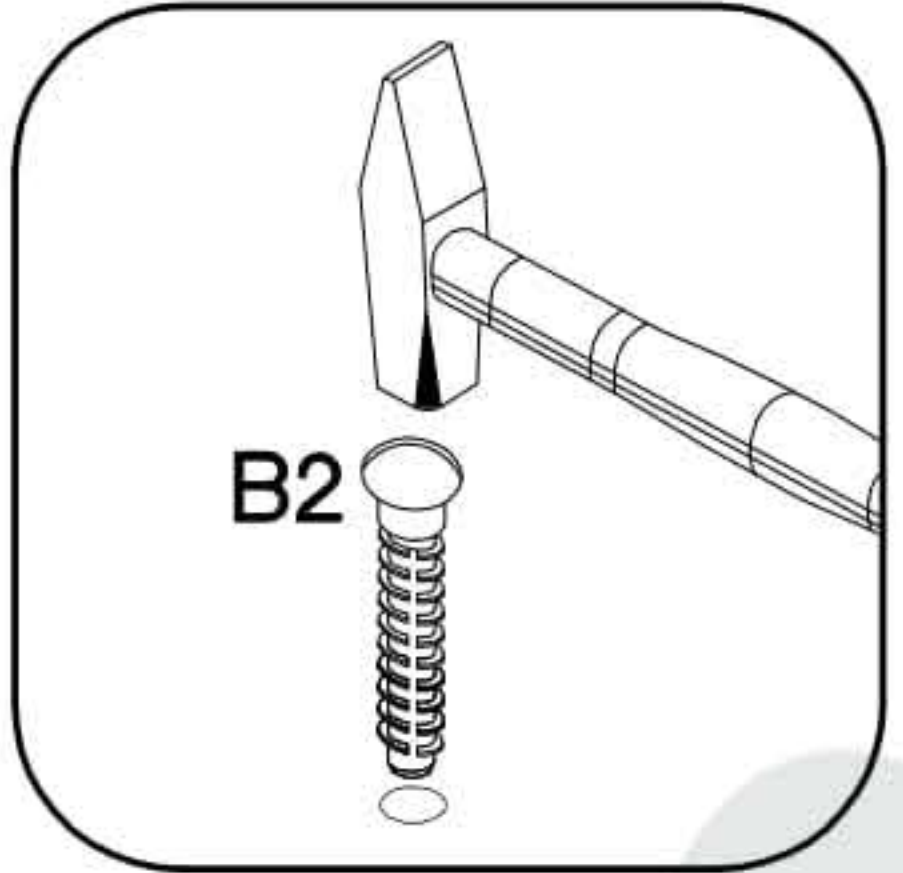
x3



2



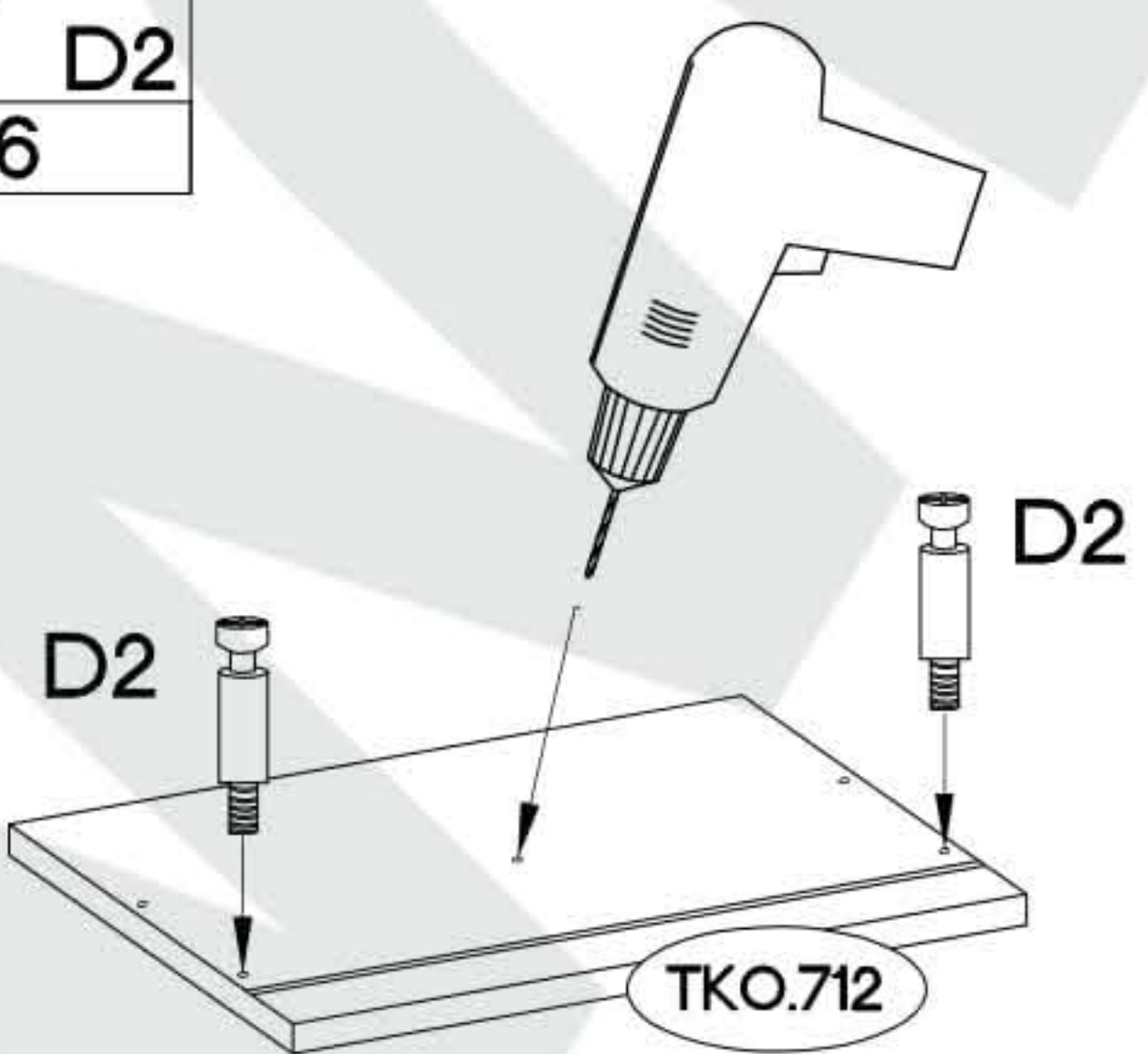
±6x42mm  B2 6
---



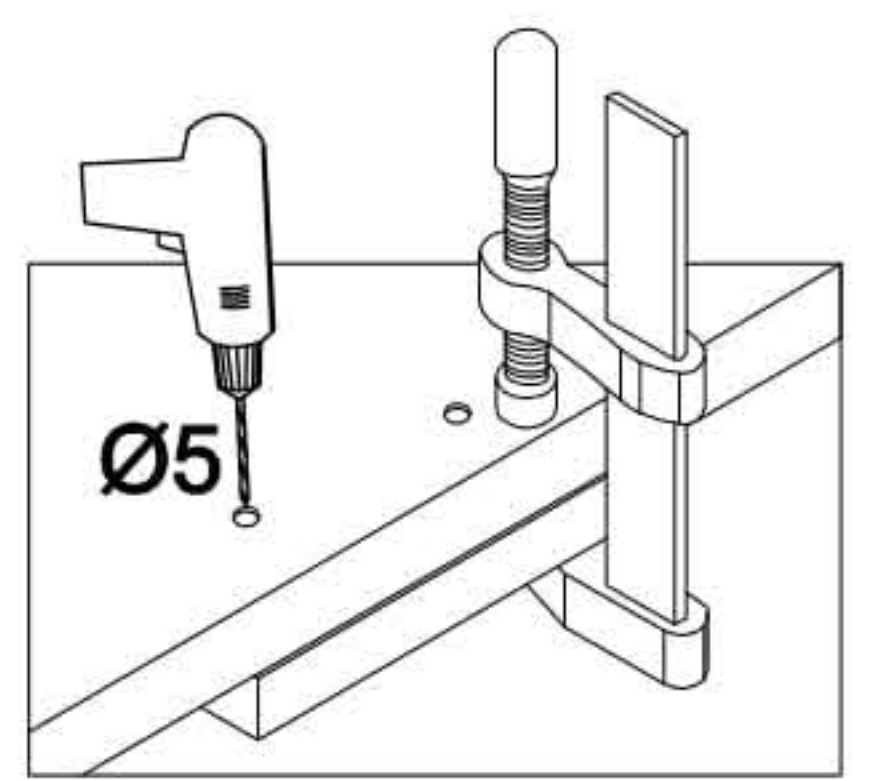
x3

3

L=20mm  D2 6
--

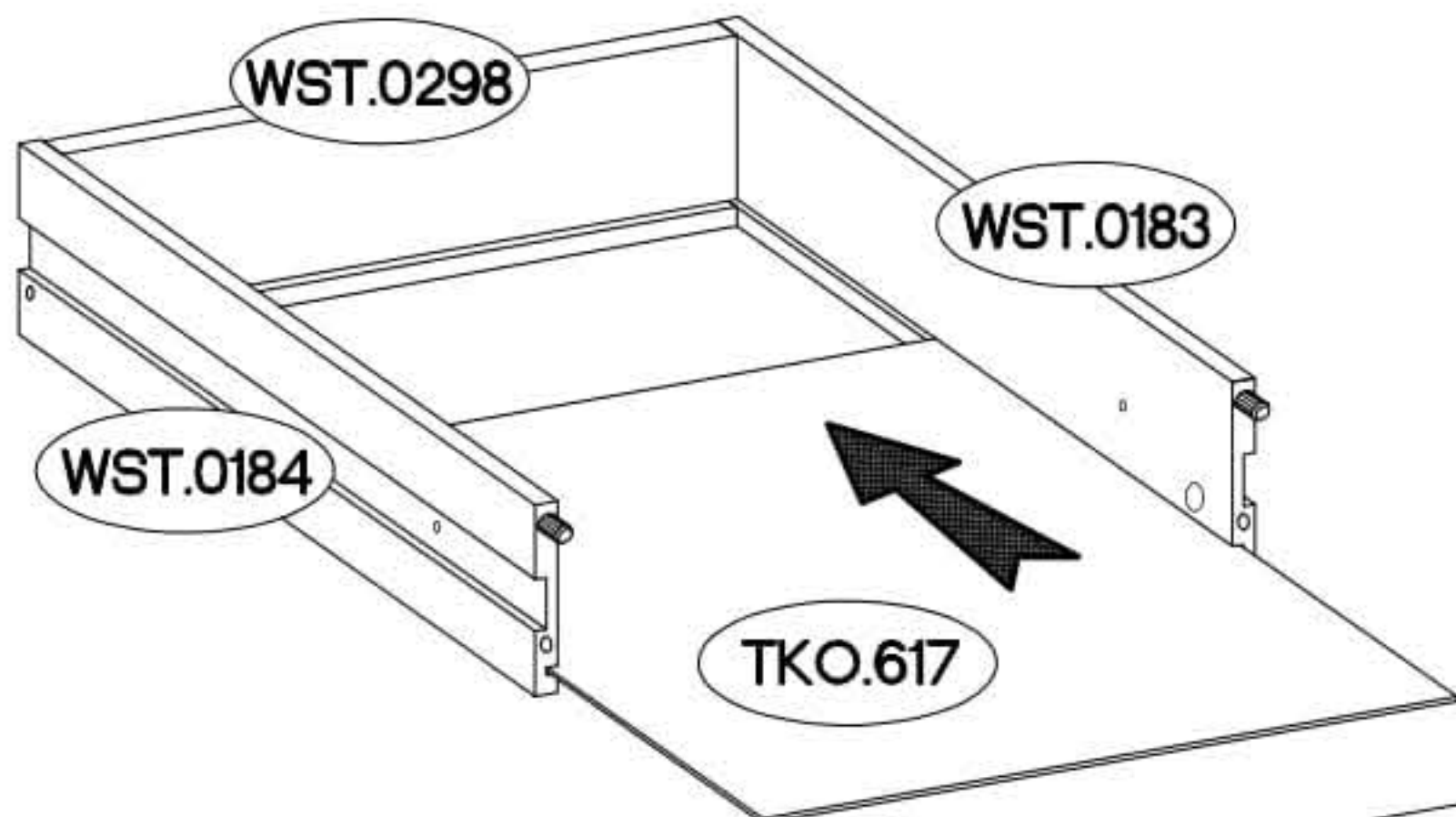


x3

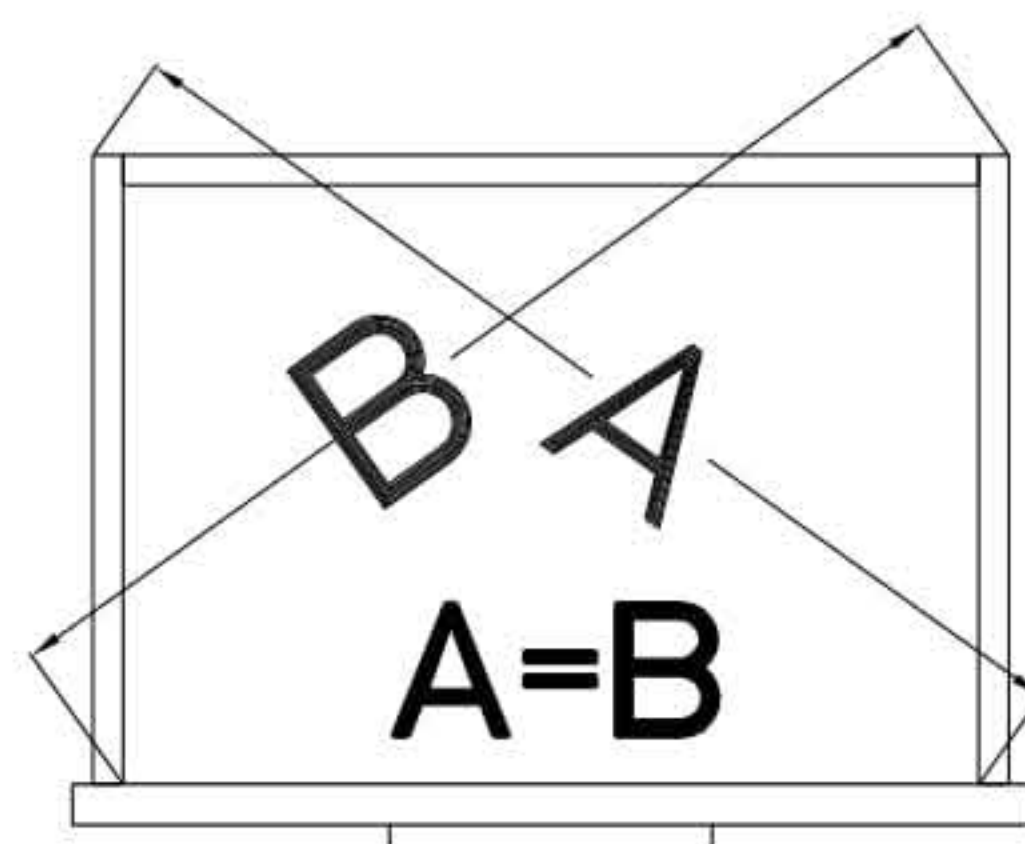
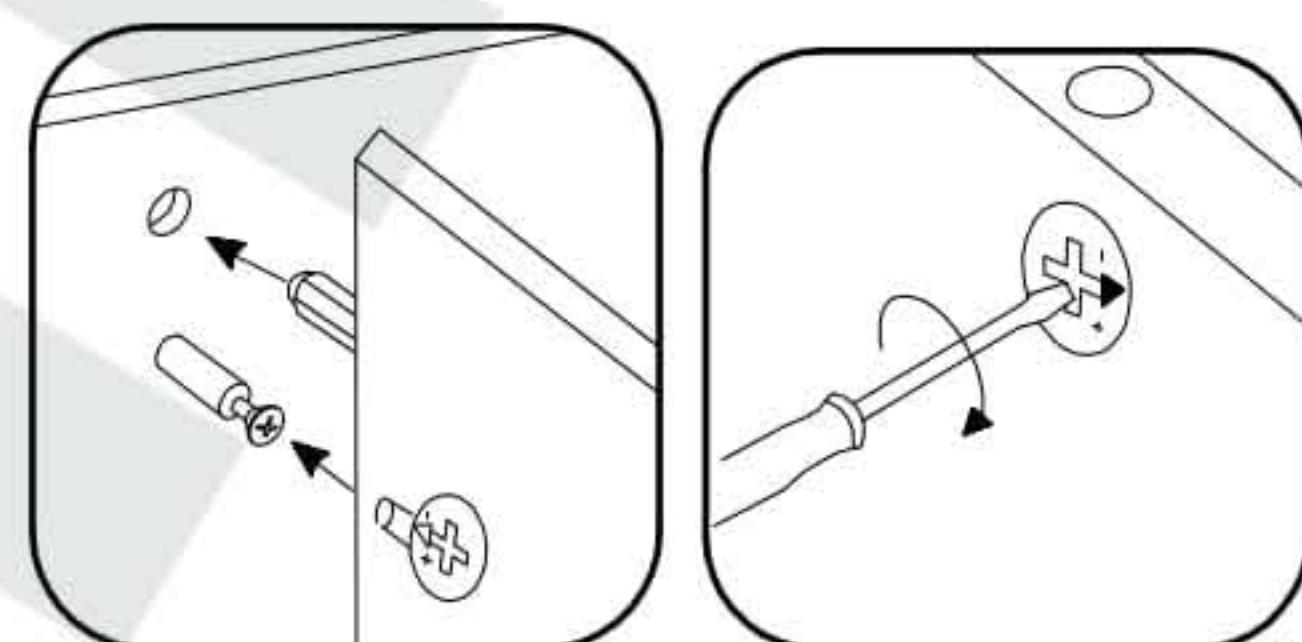
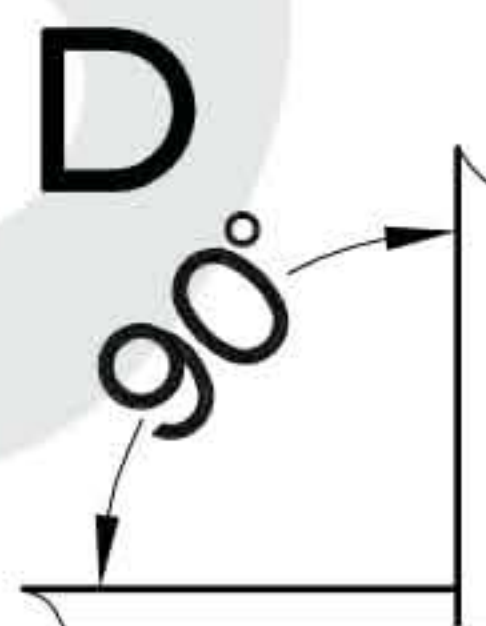
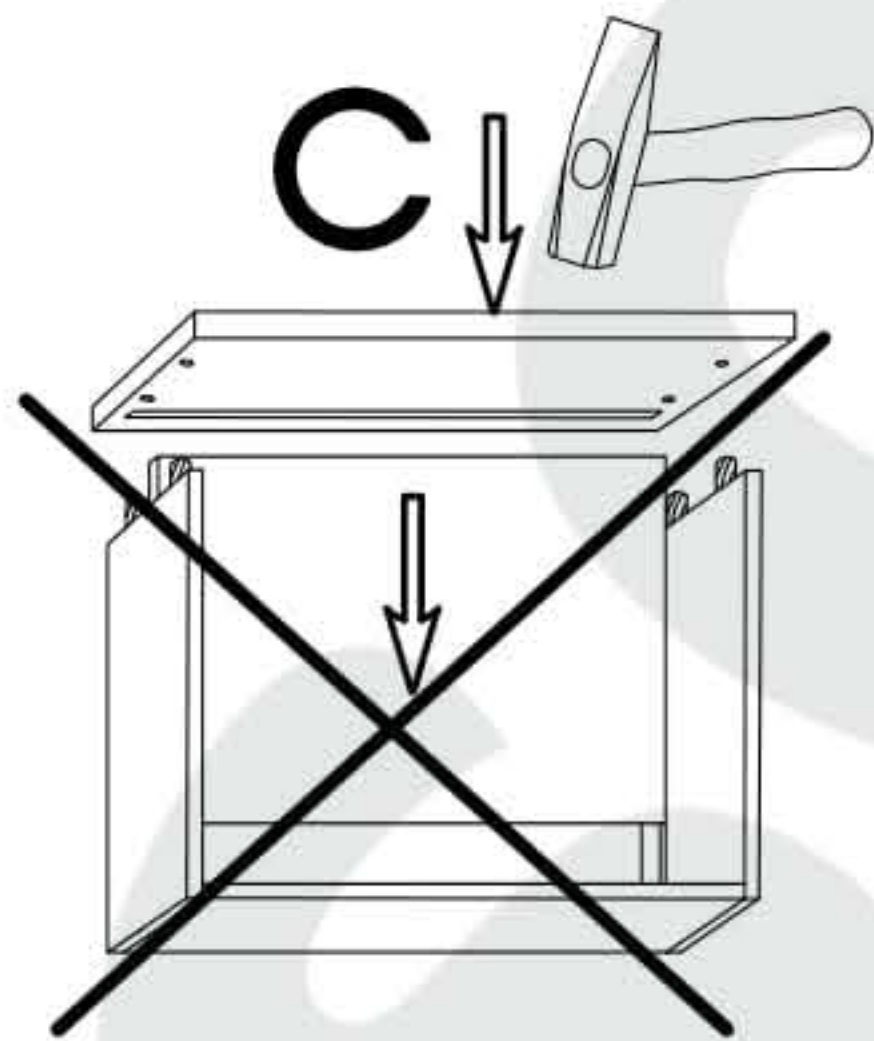
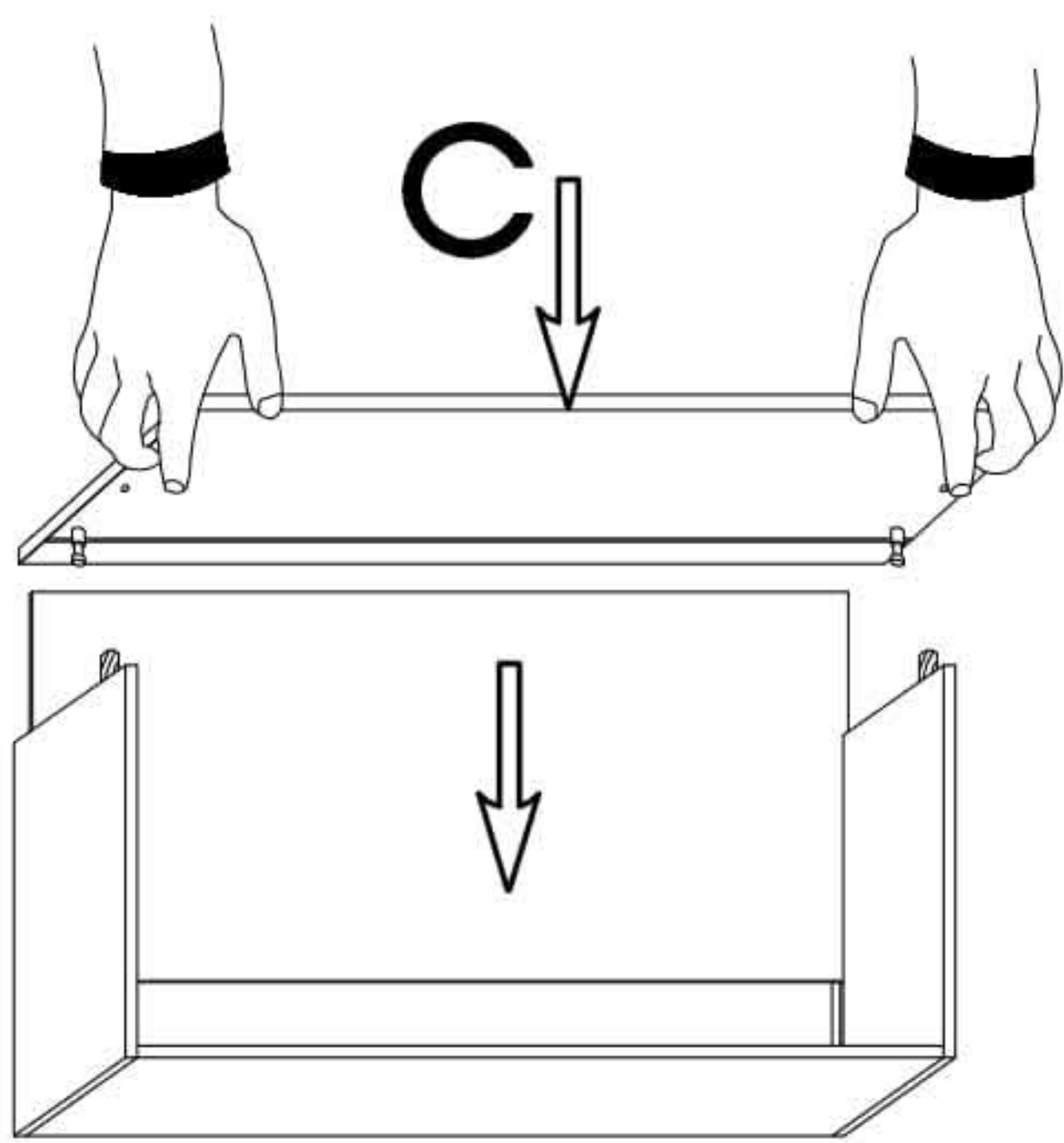
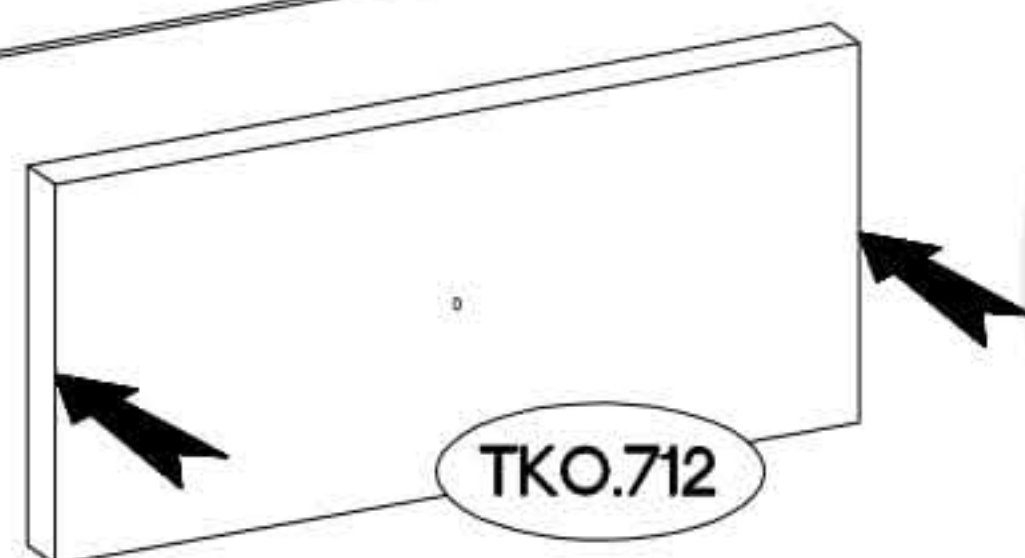
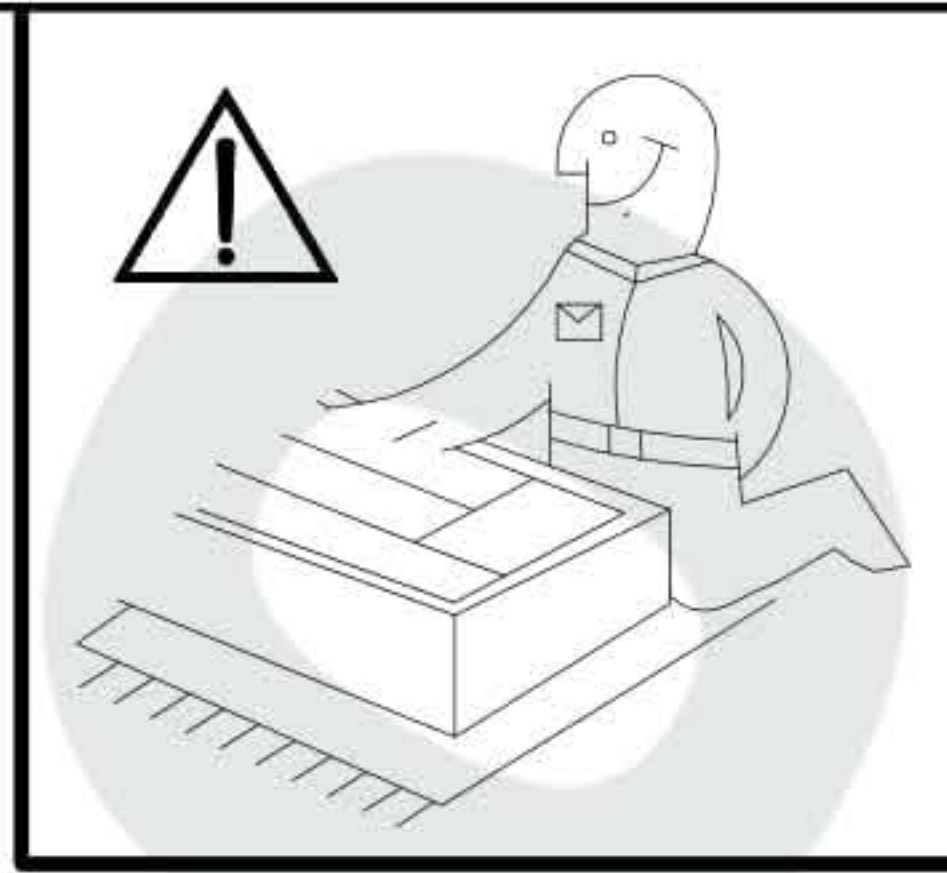




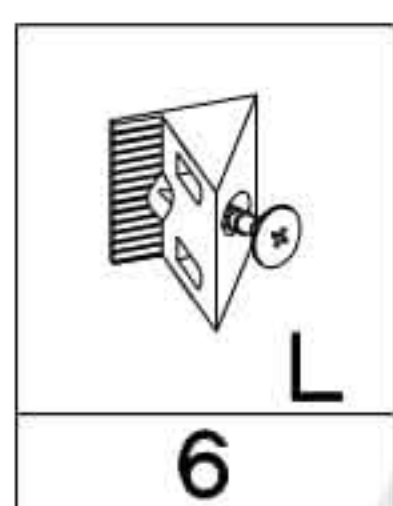
4



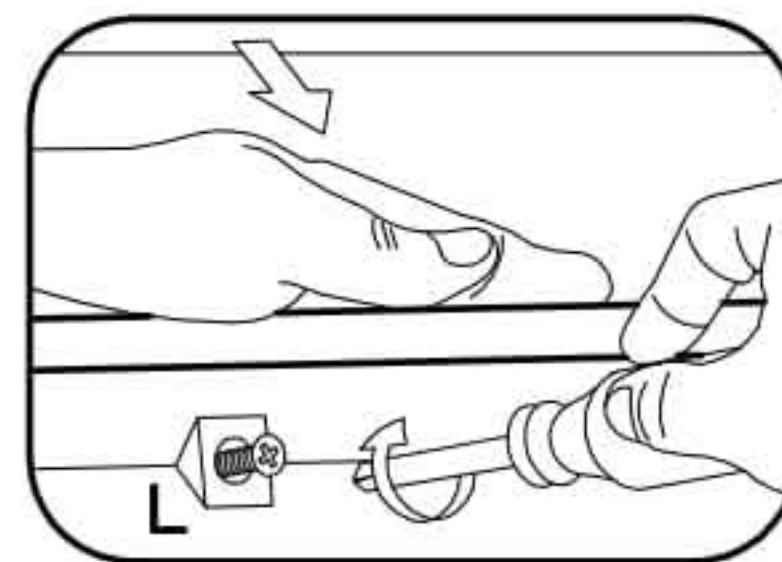
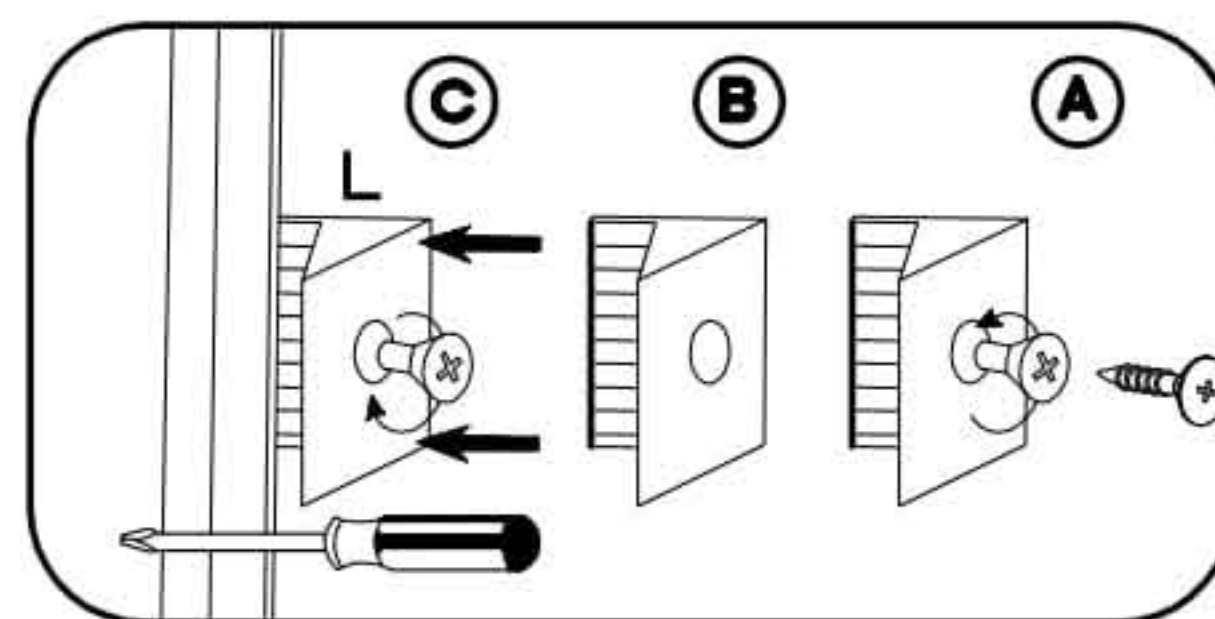
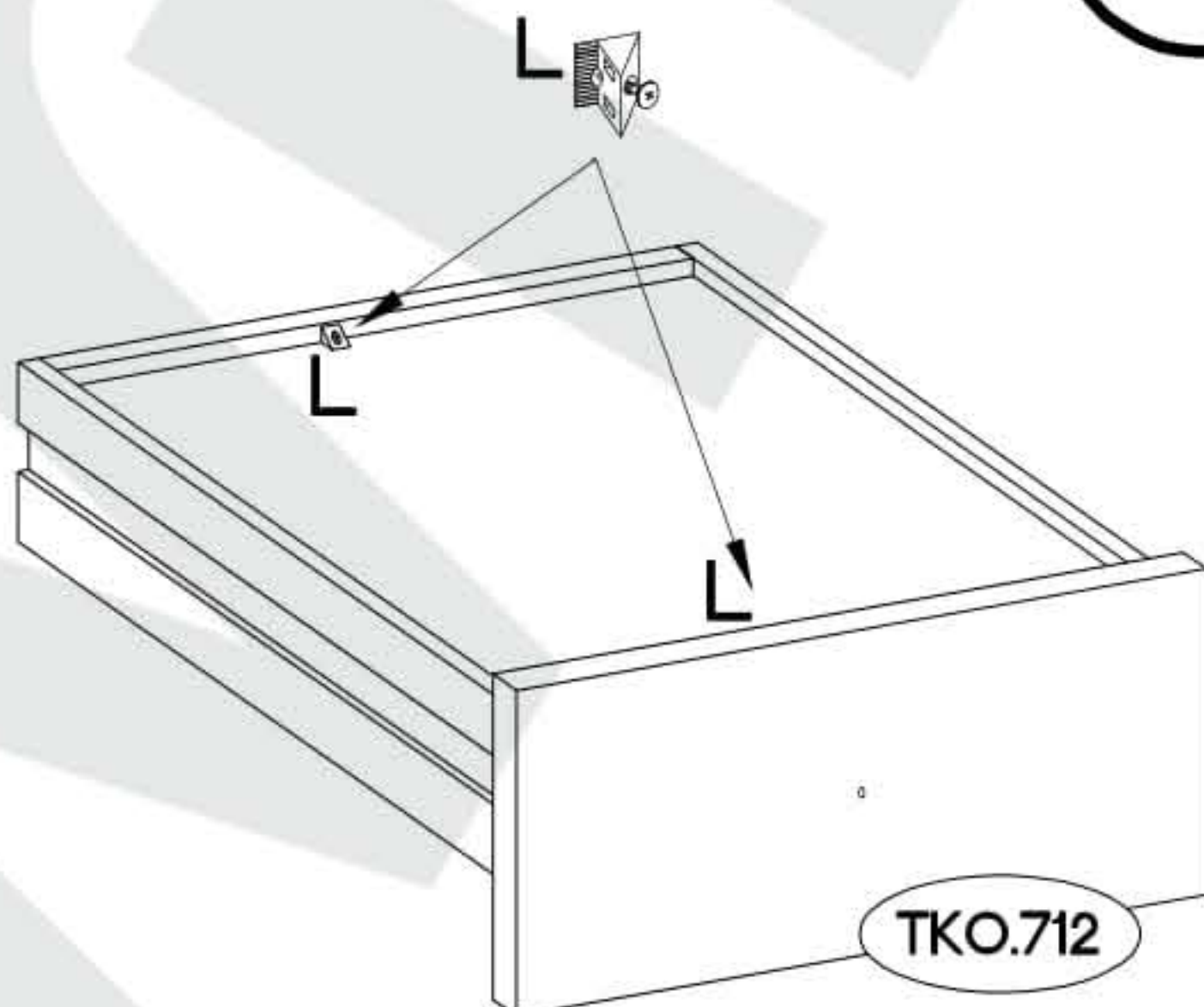
x3



5







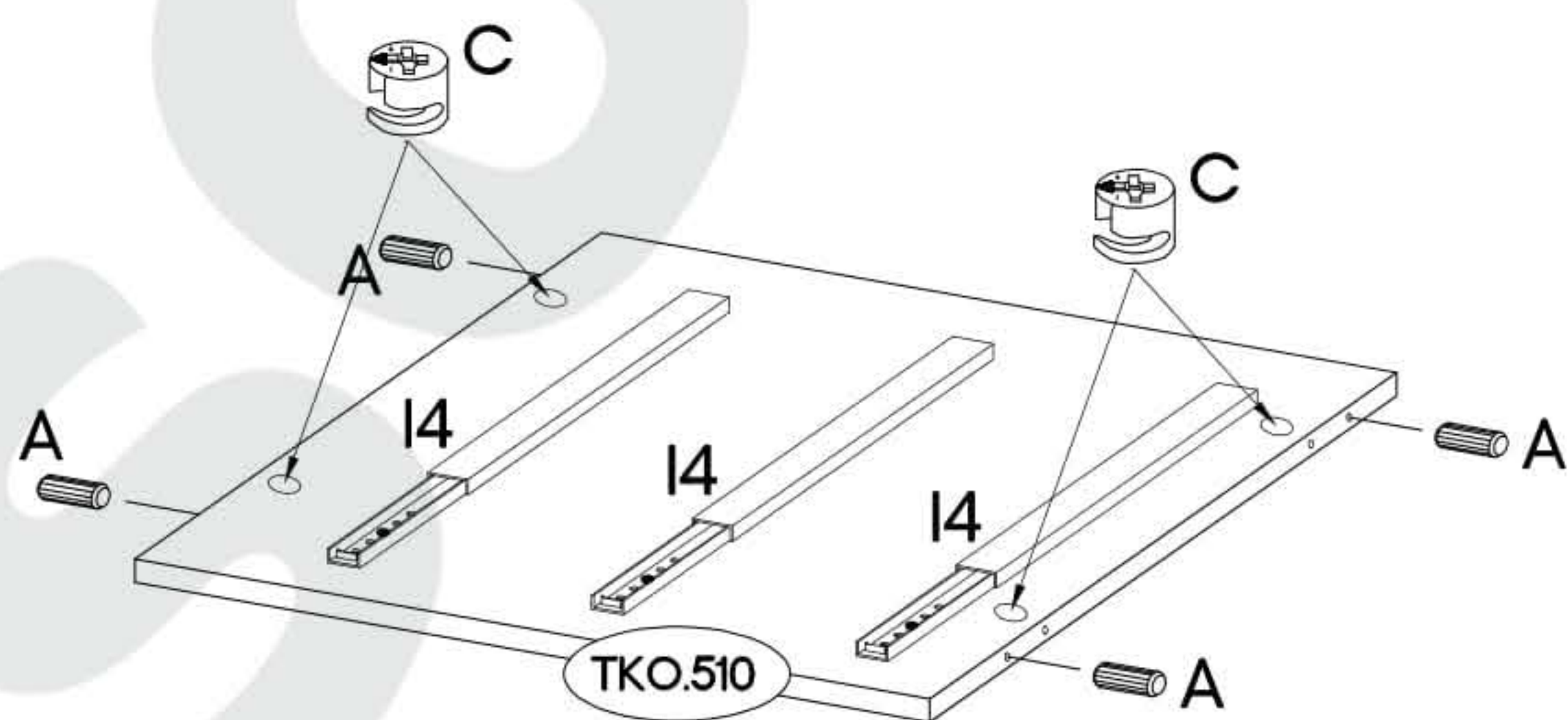
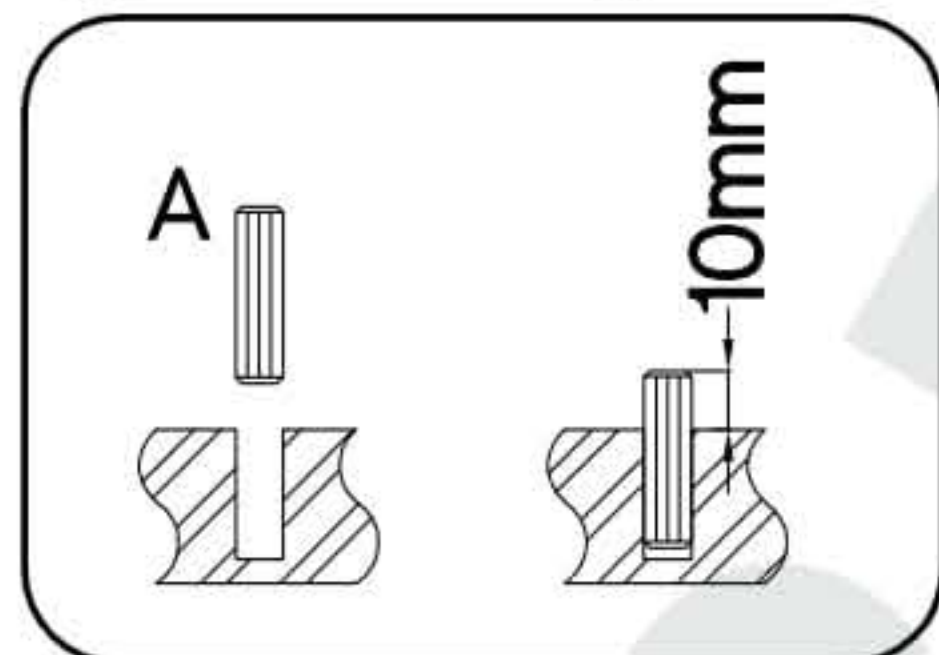
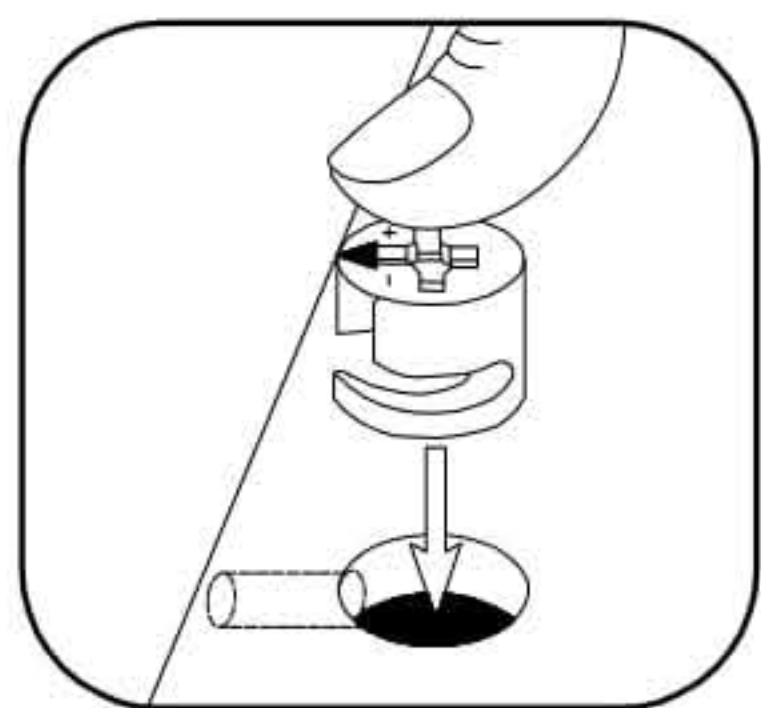
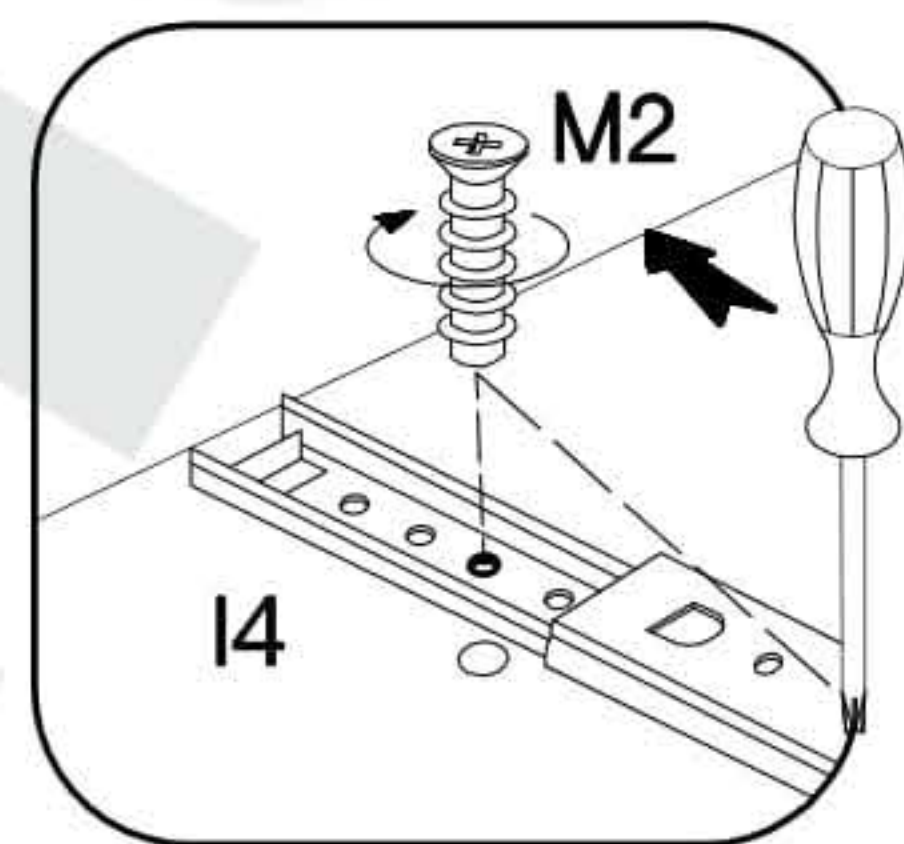
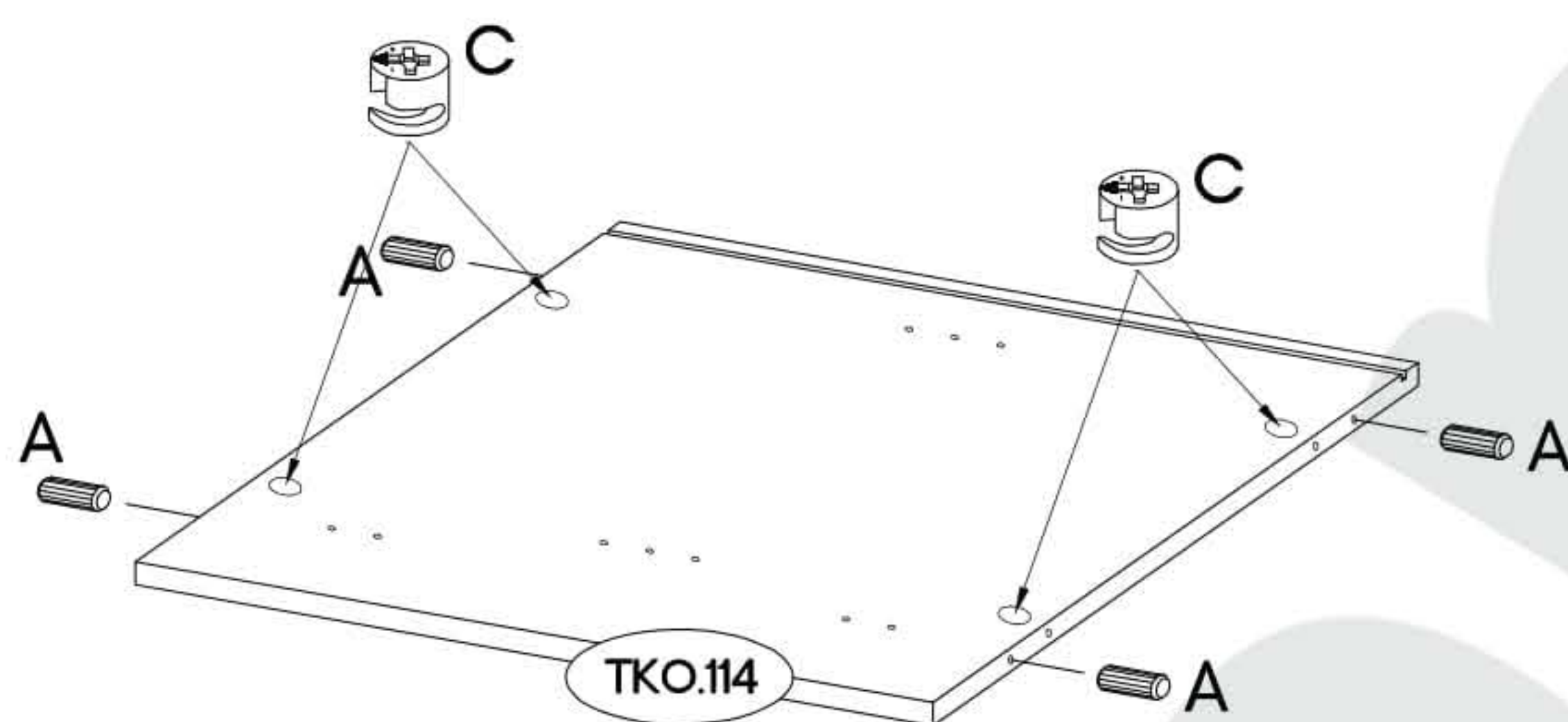
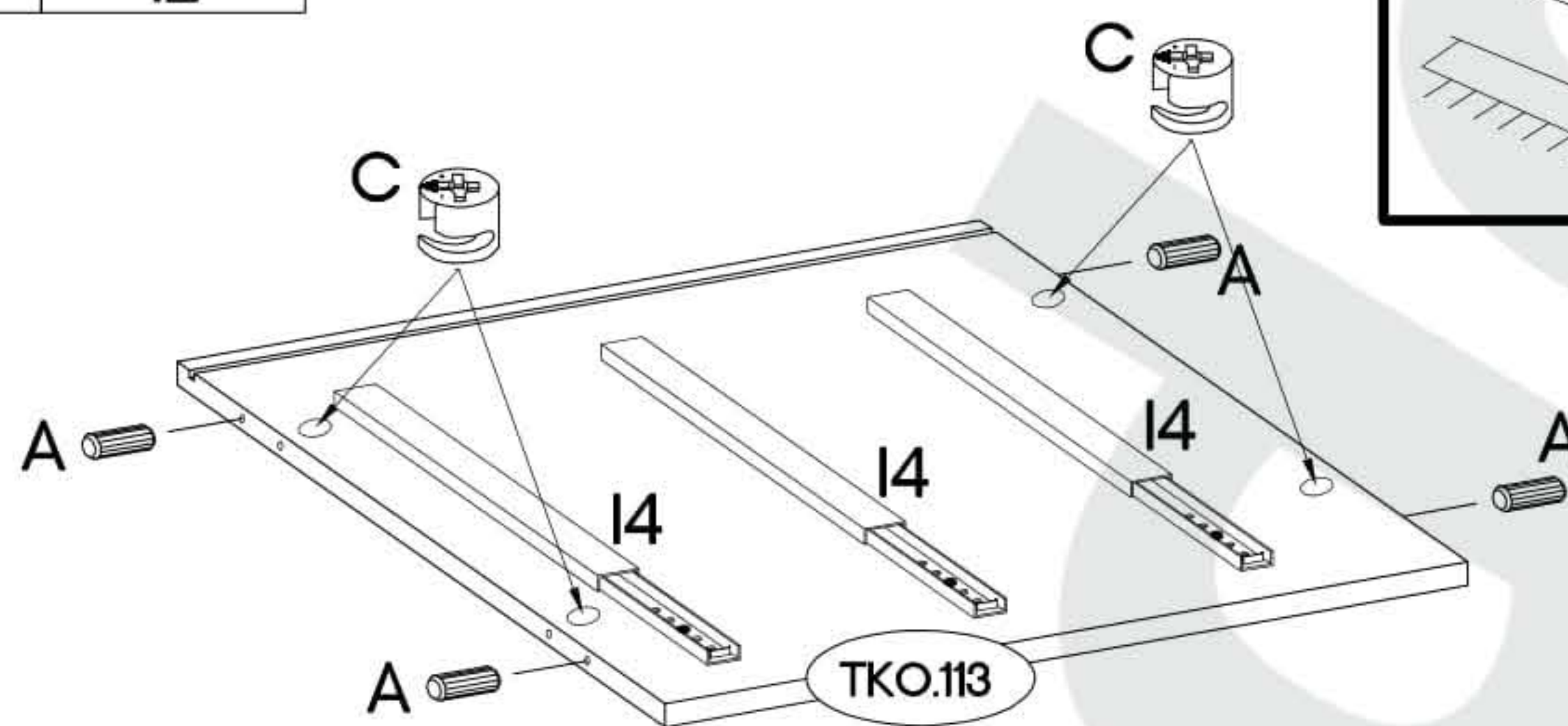
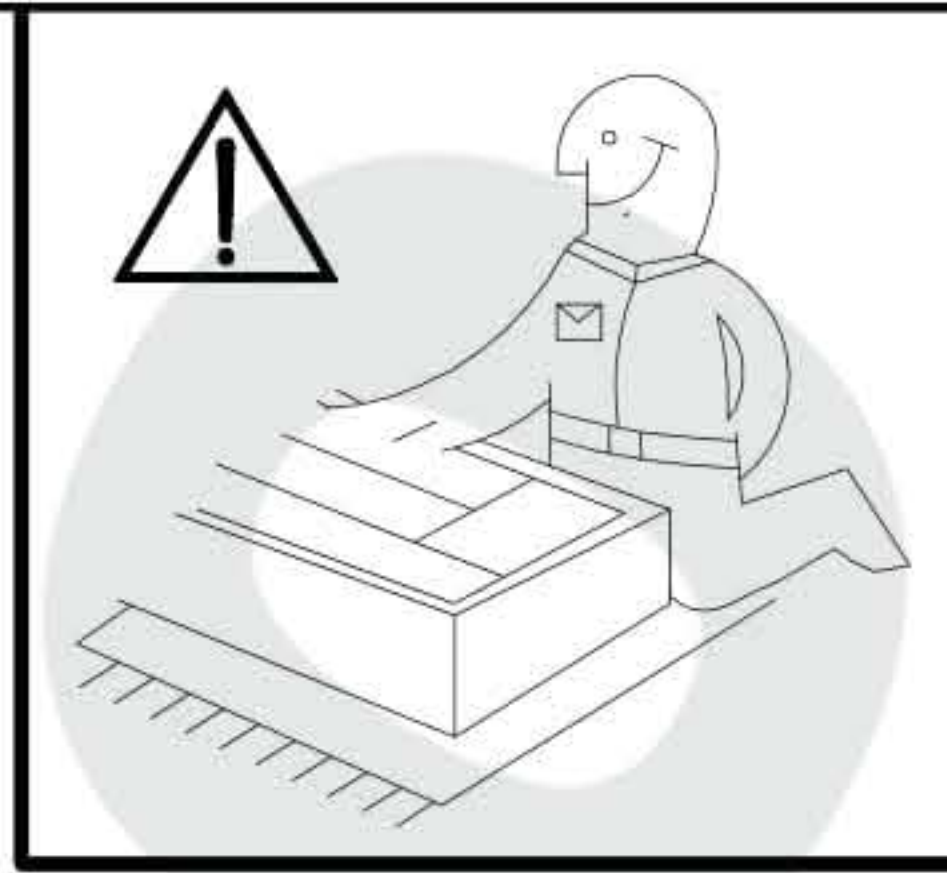
x3





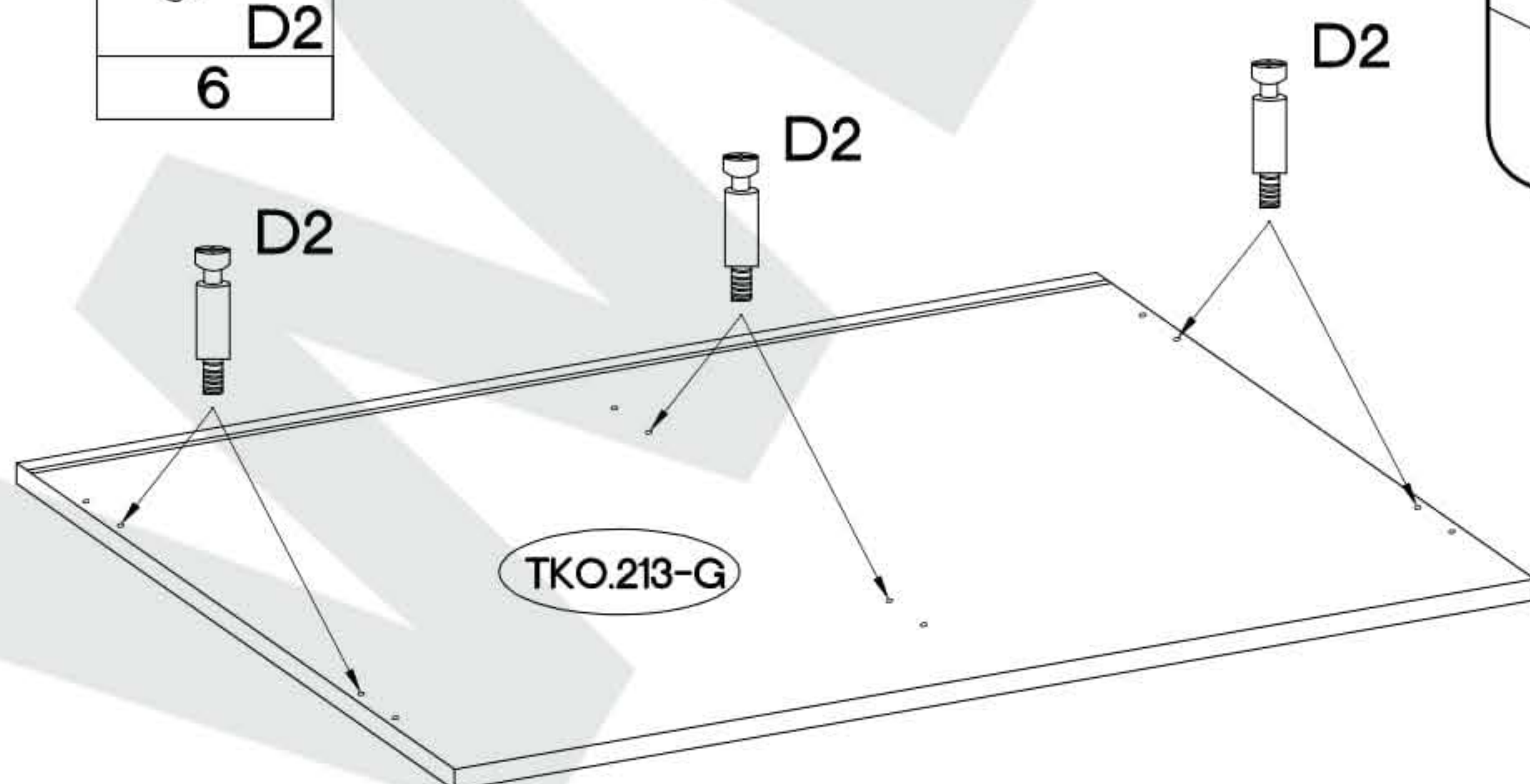
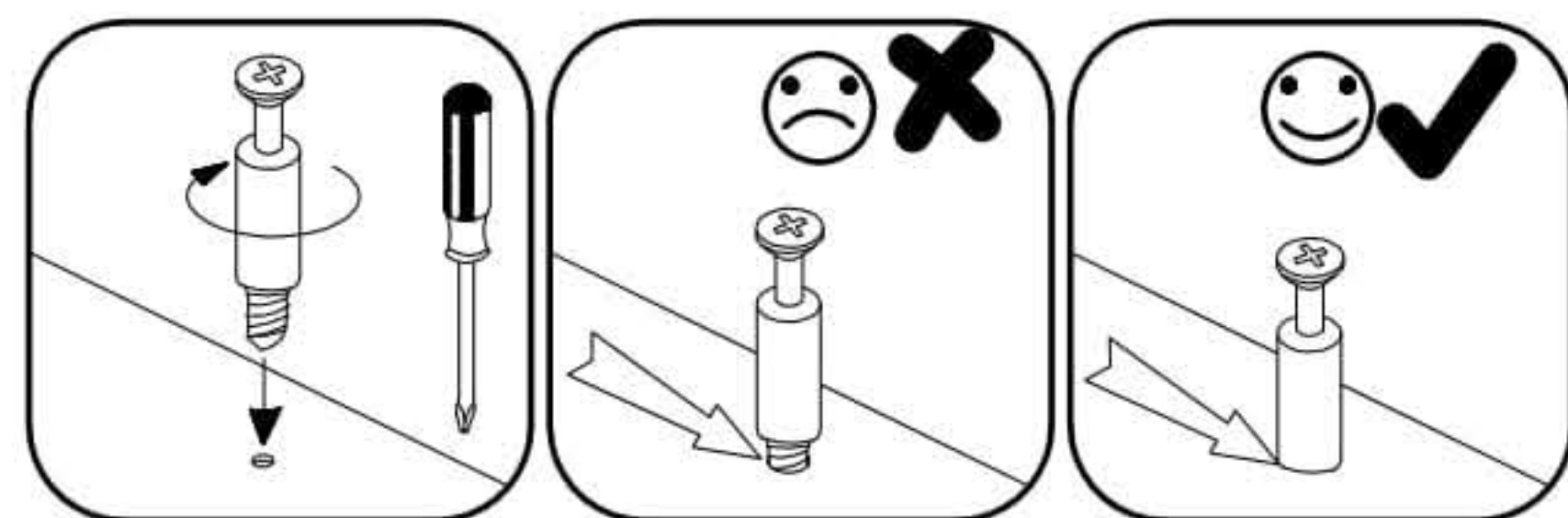
6

†8x30mm  A	†15/12mm  C	27/310mm  I4	†6,3x13mm  M2
12	12	3	12



7

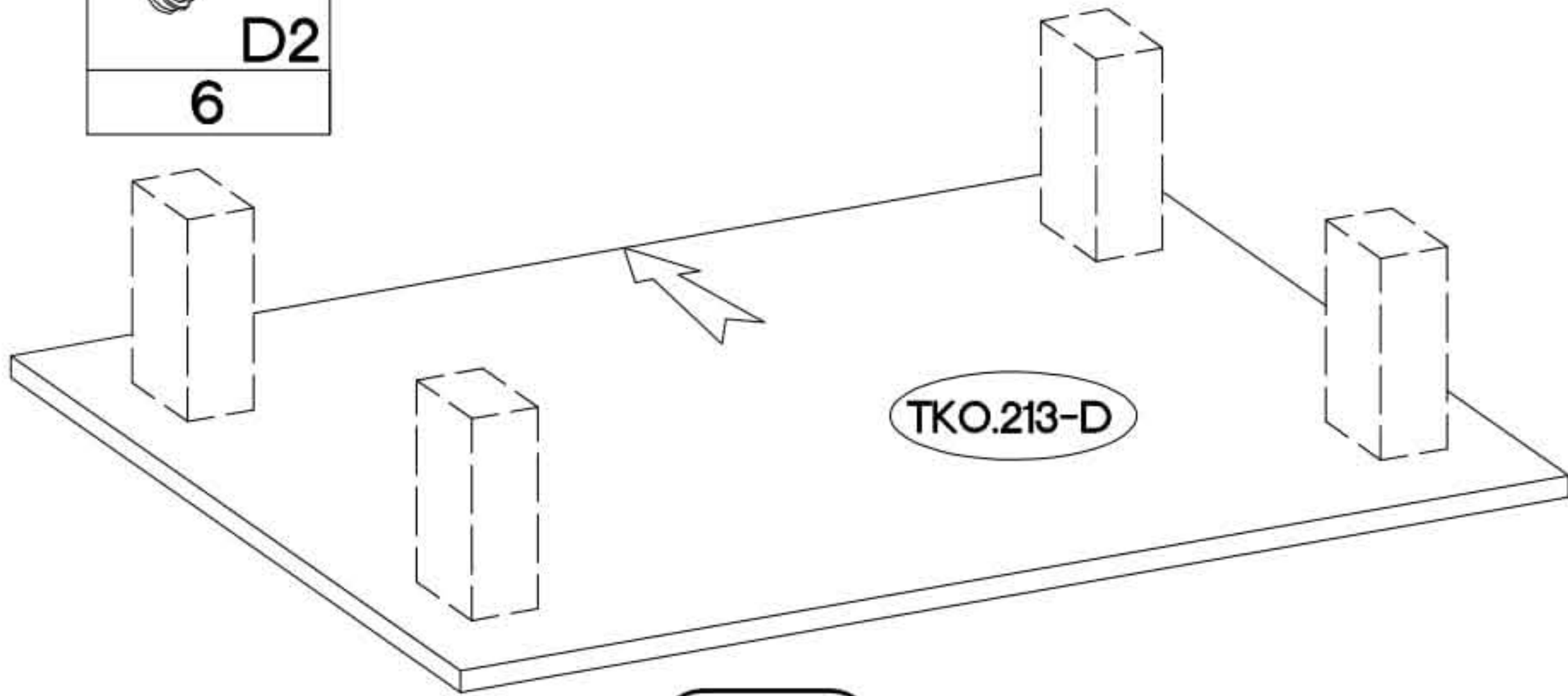
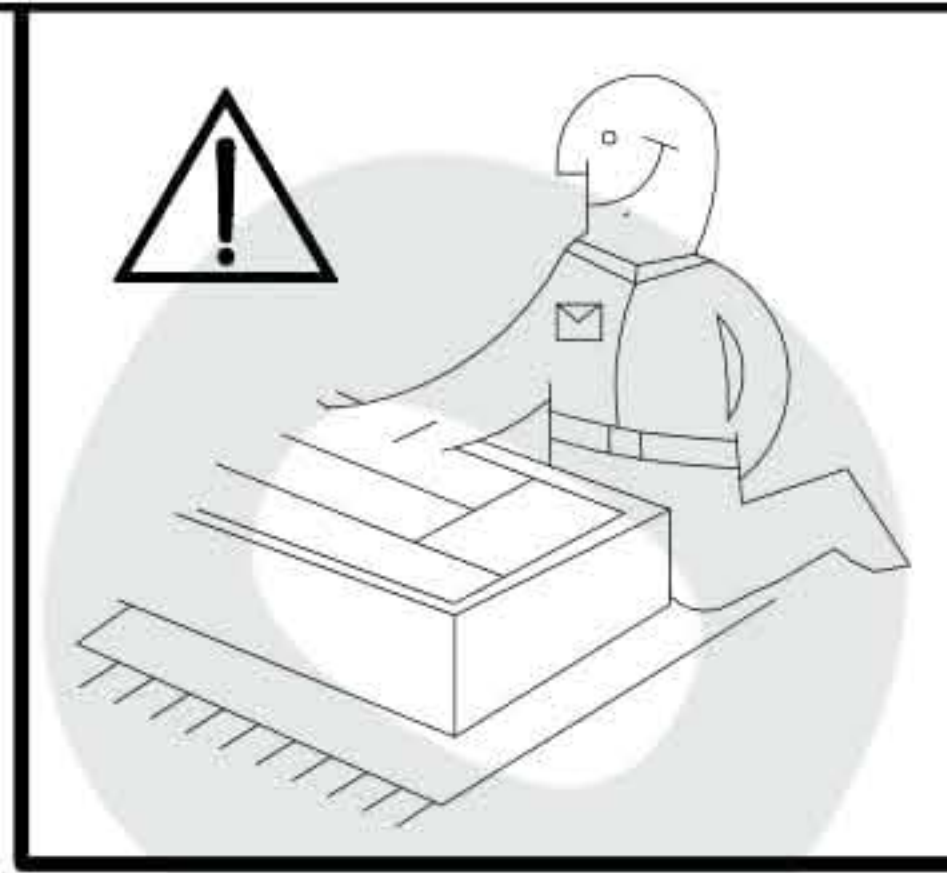
L=20mm  D2
6



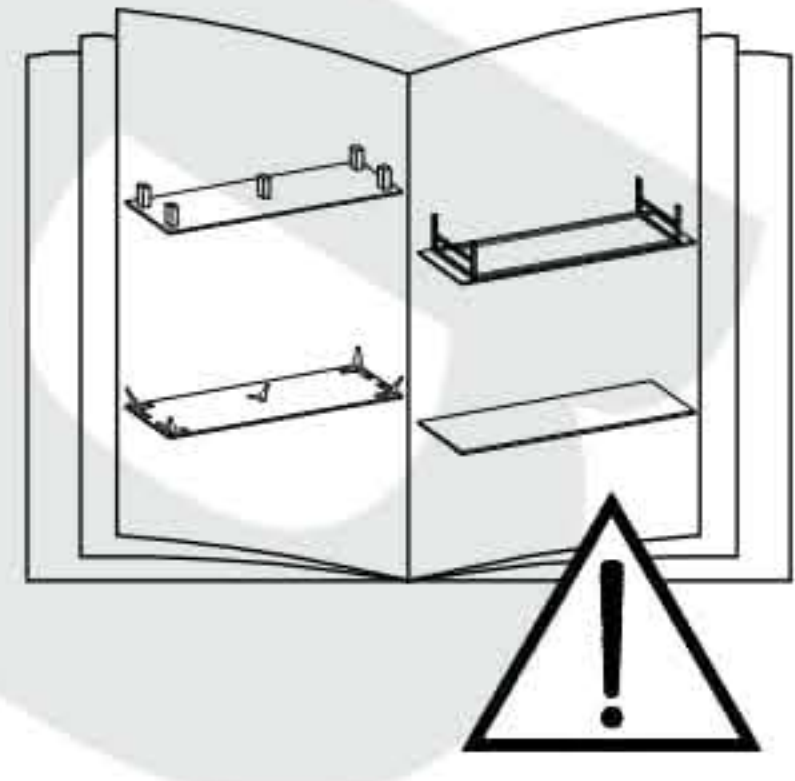
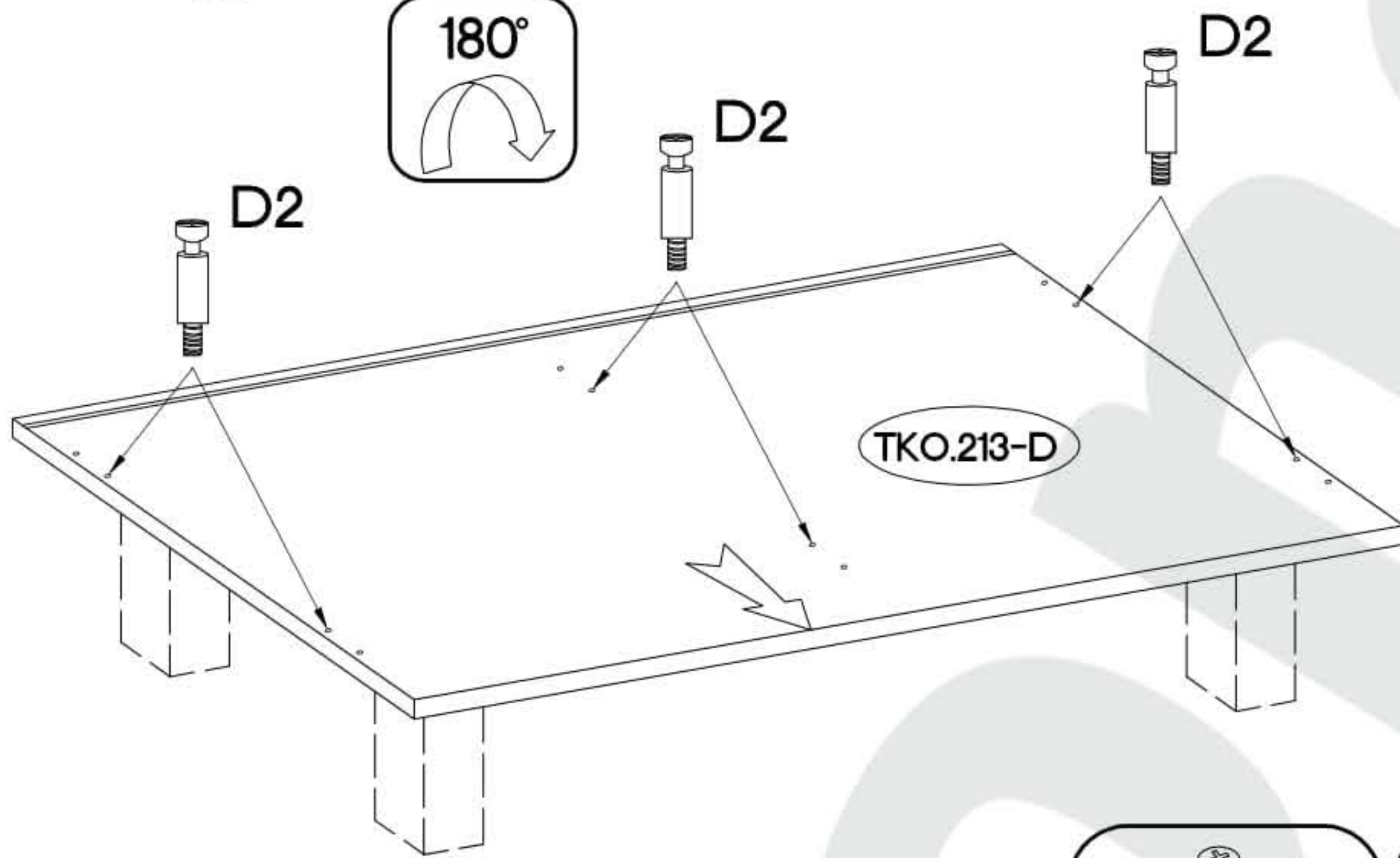


8

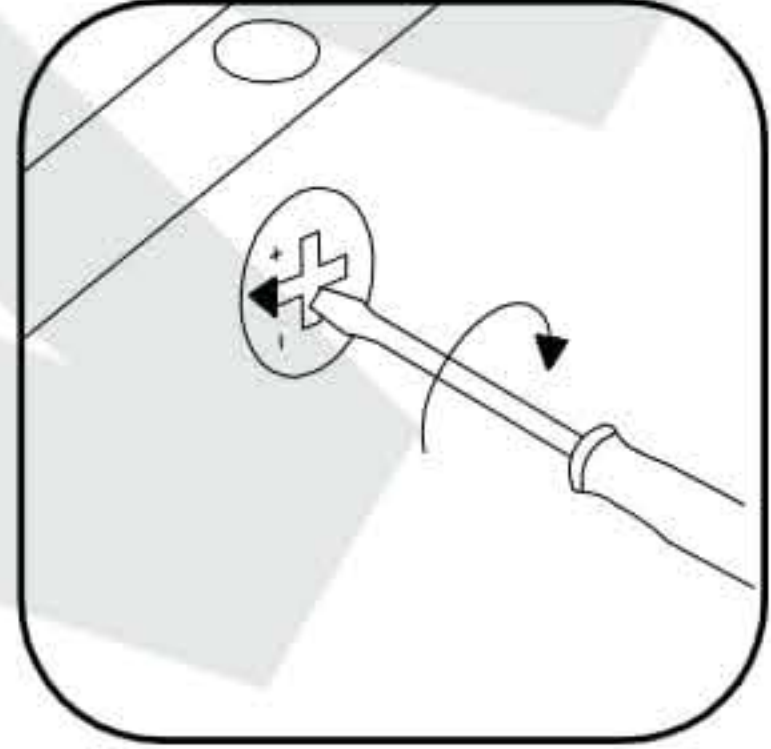
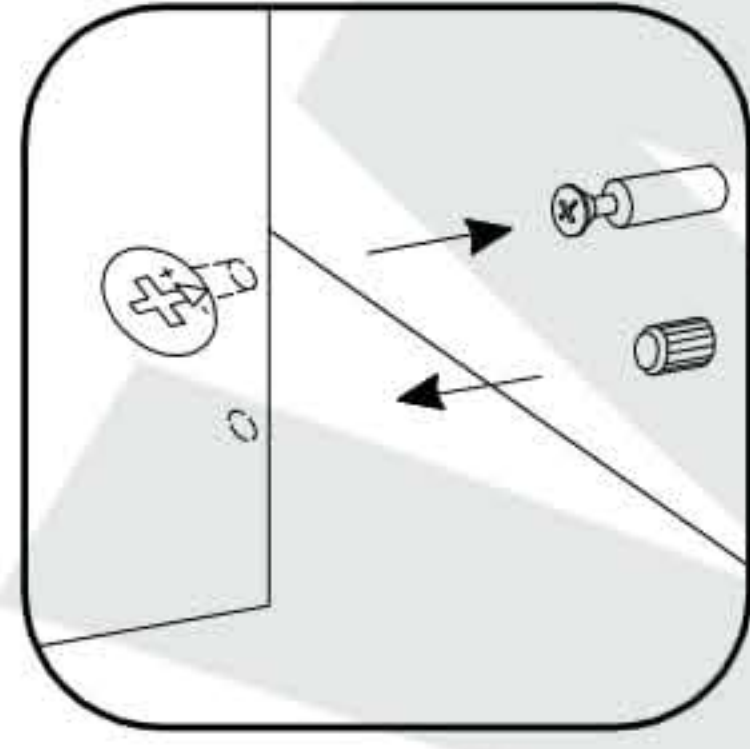
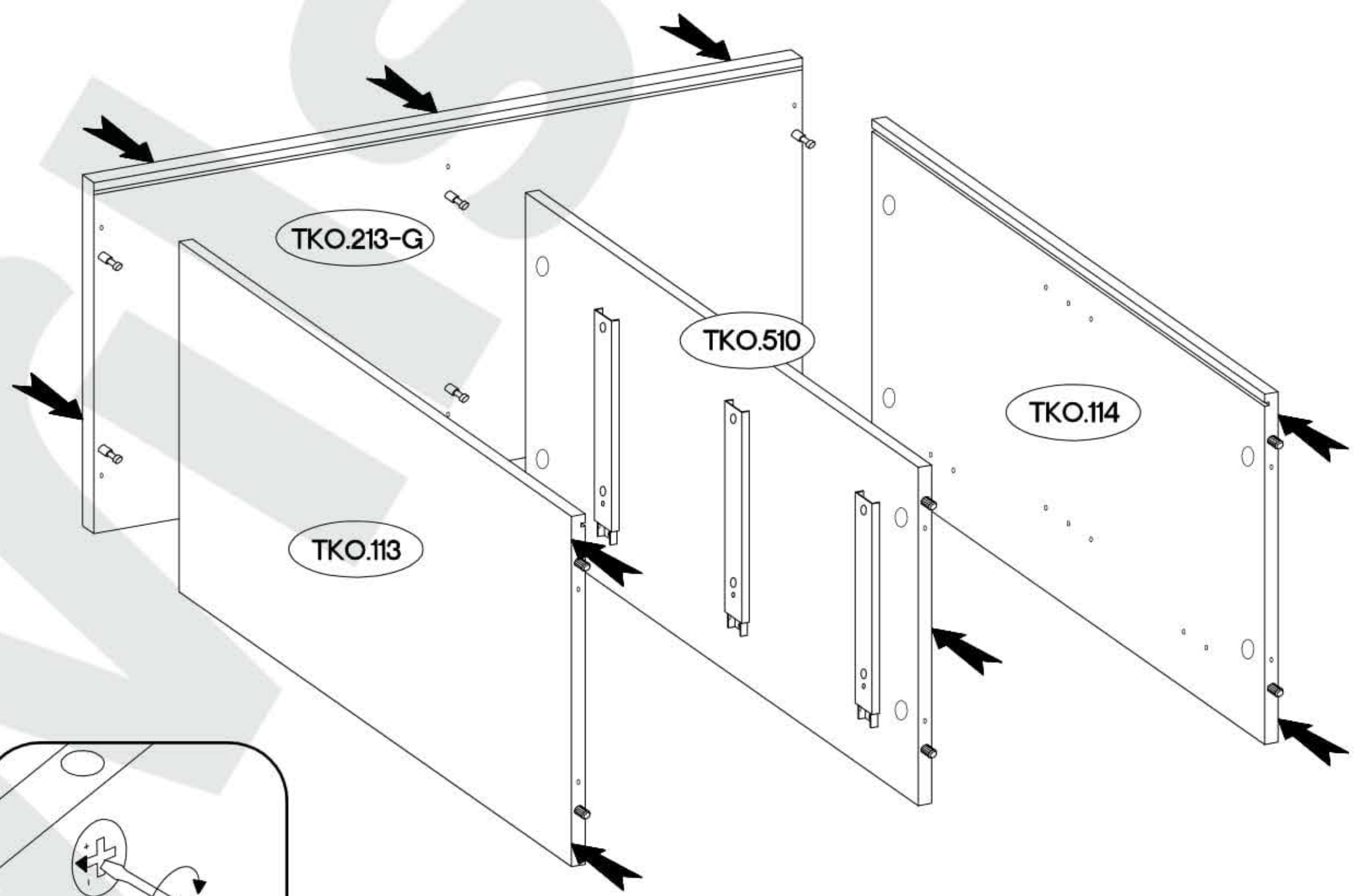
L=20mm  
D2  
6



180°

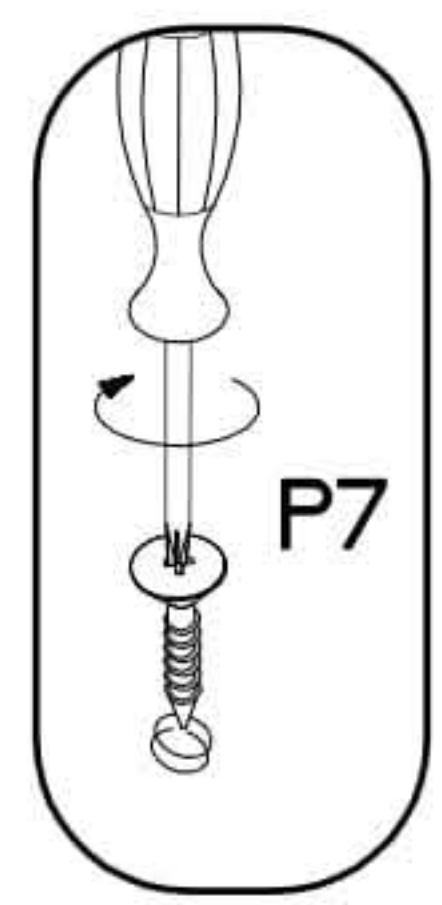
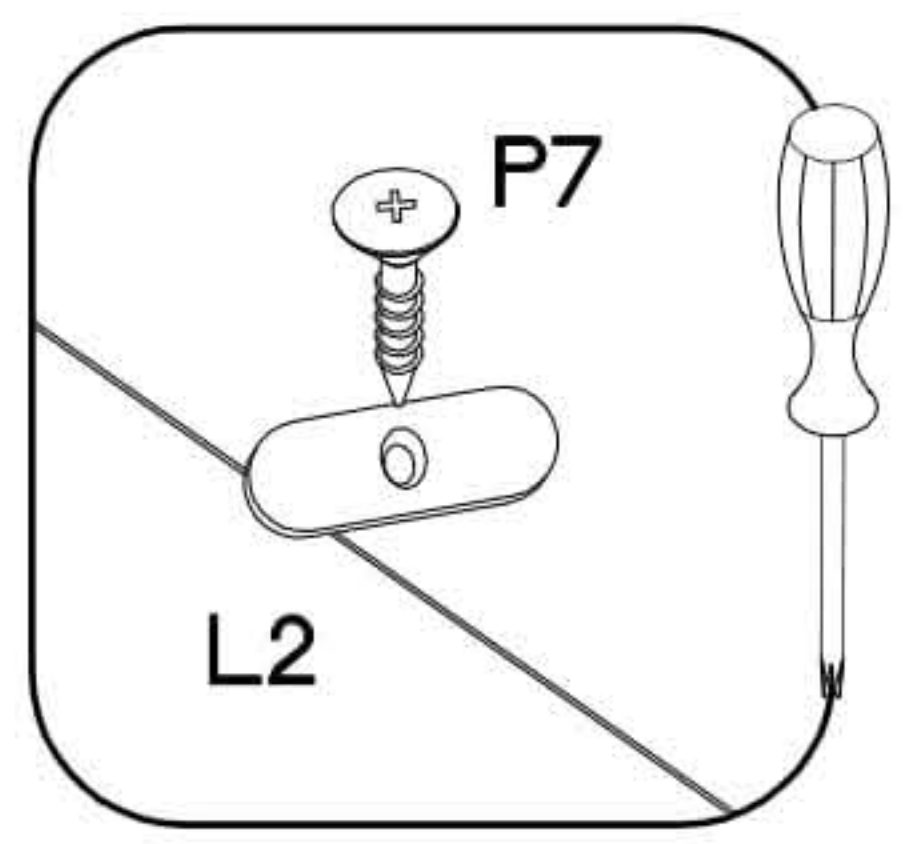
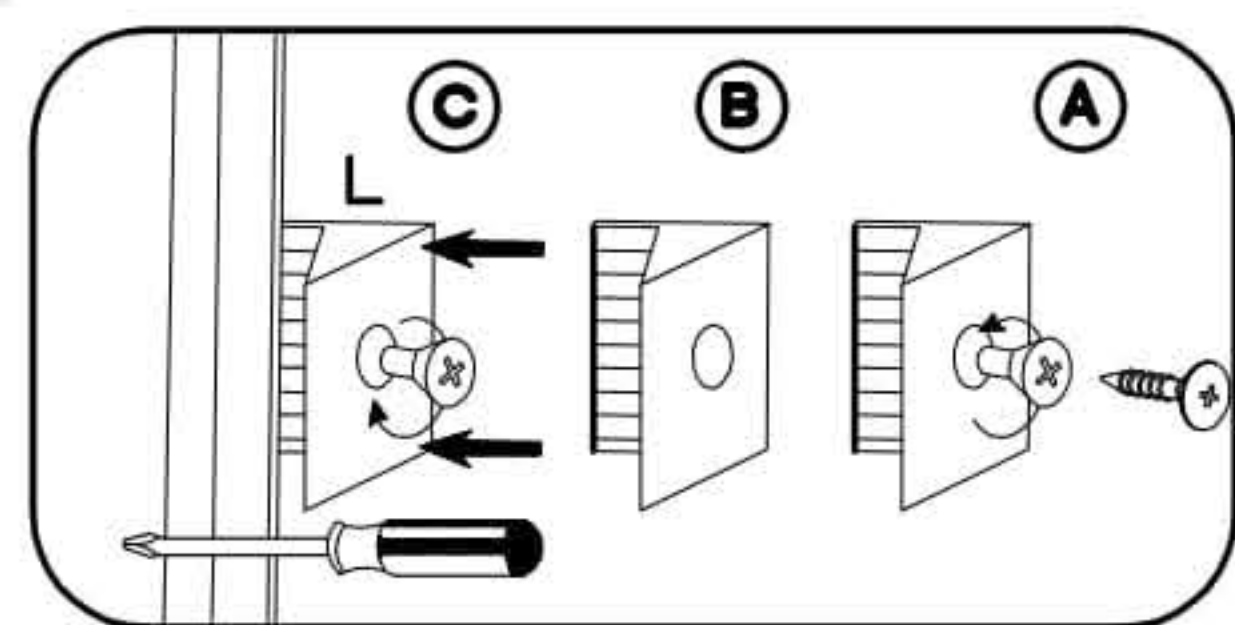
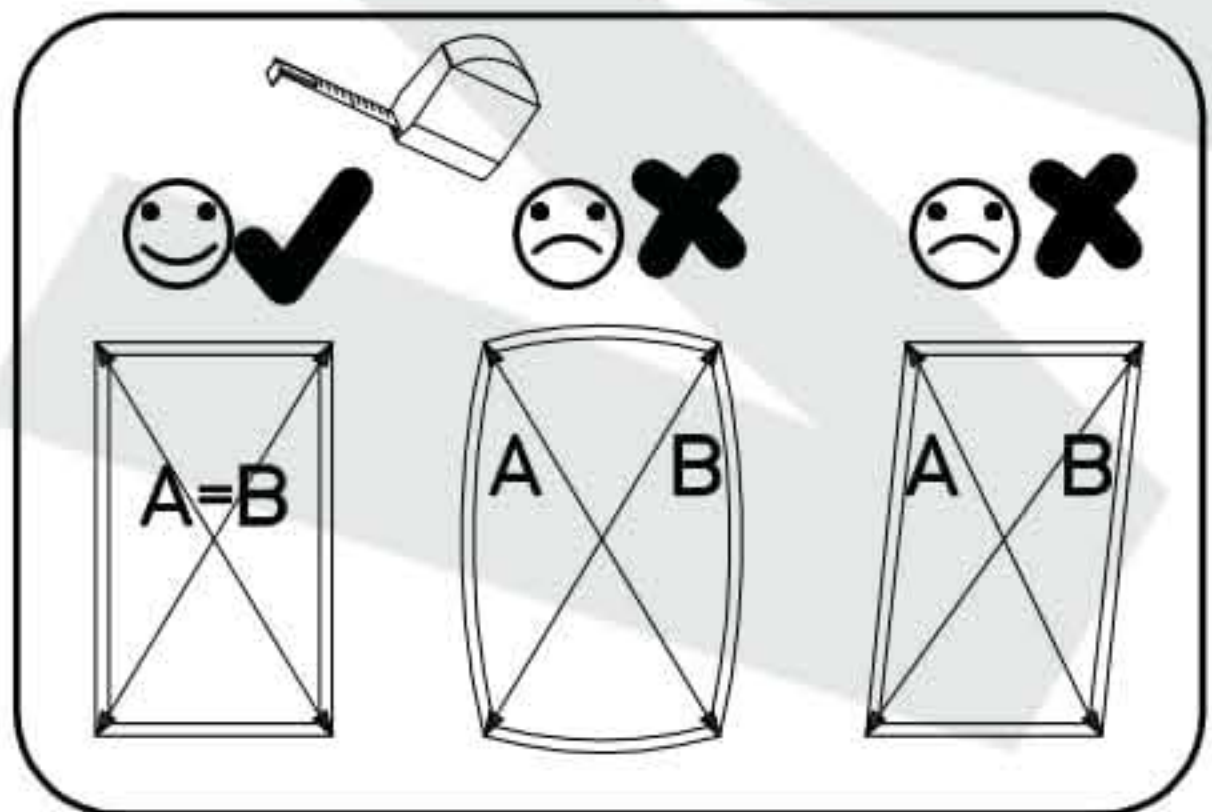
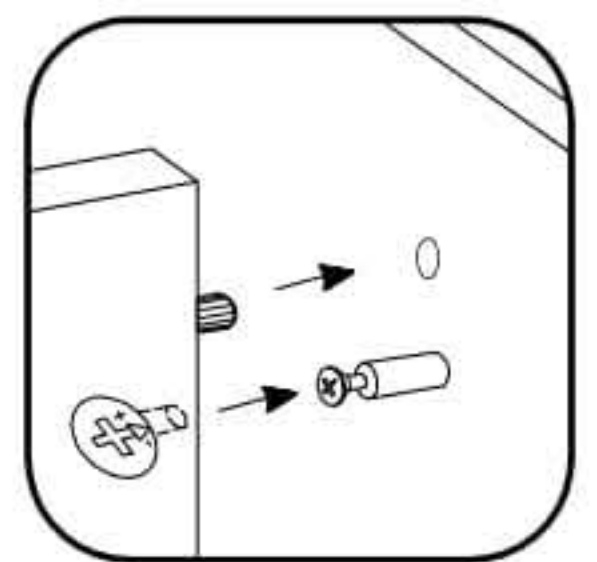
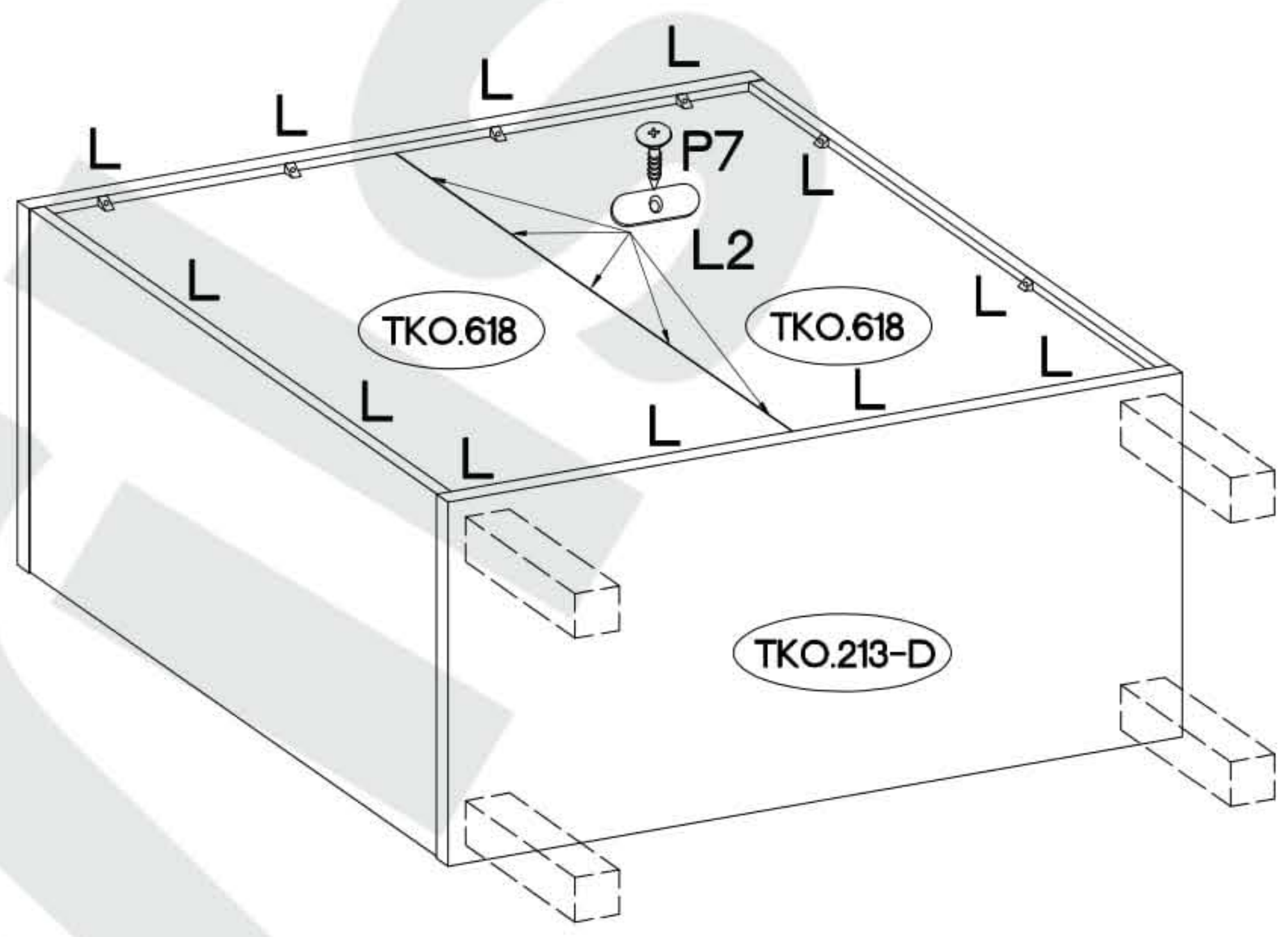
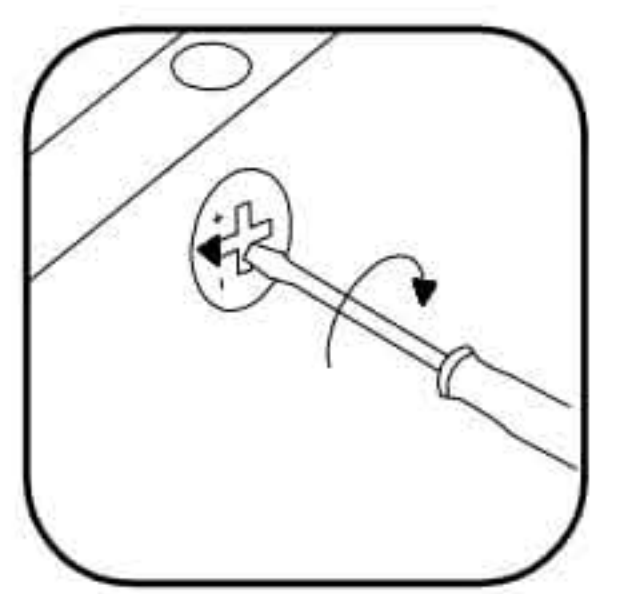
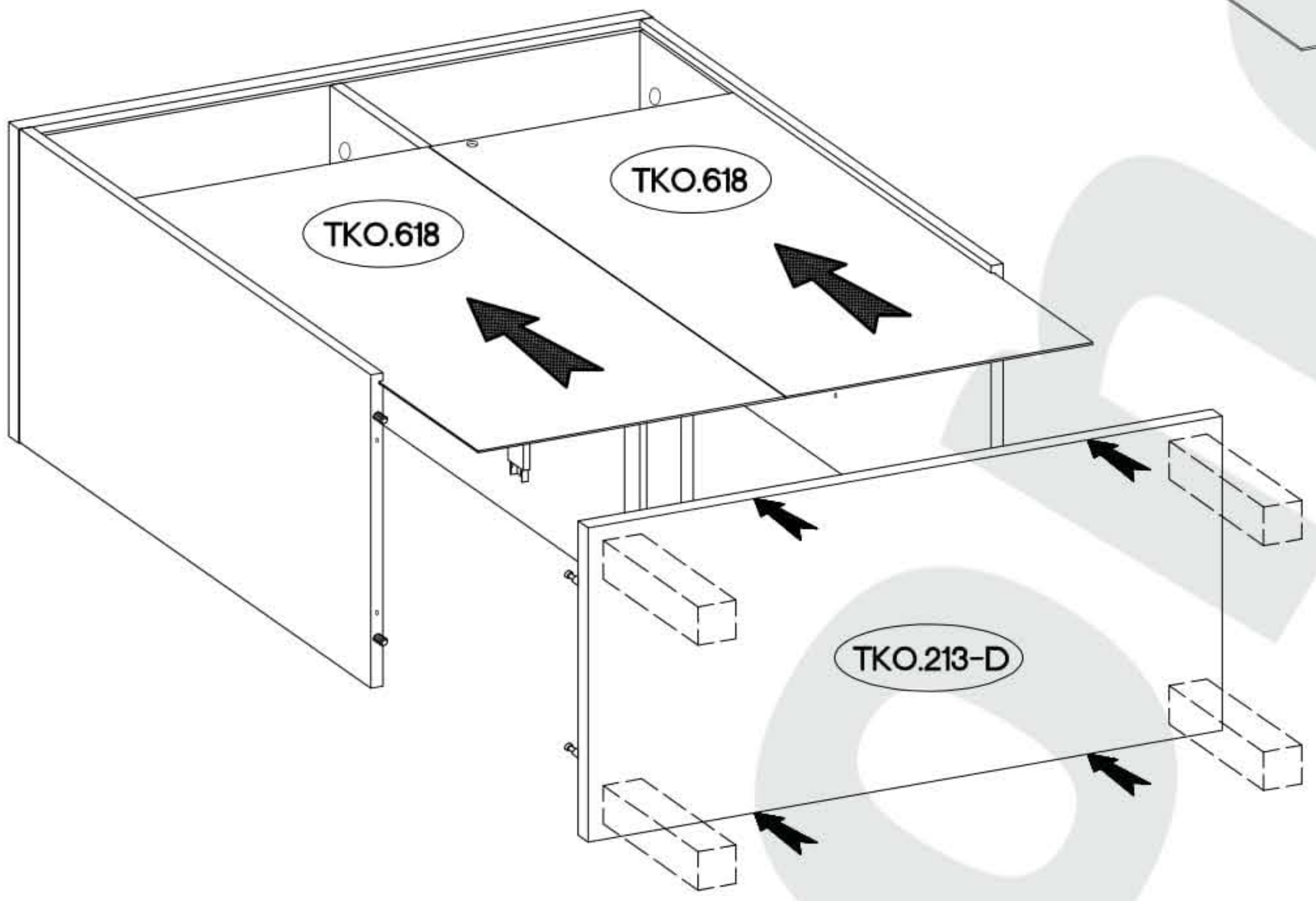
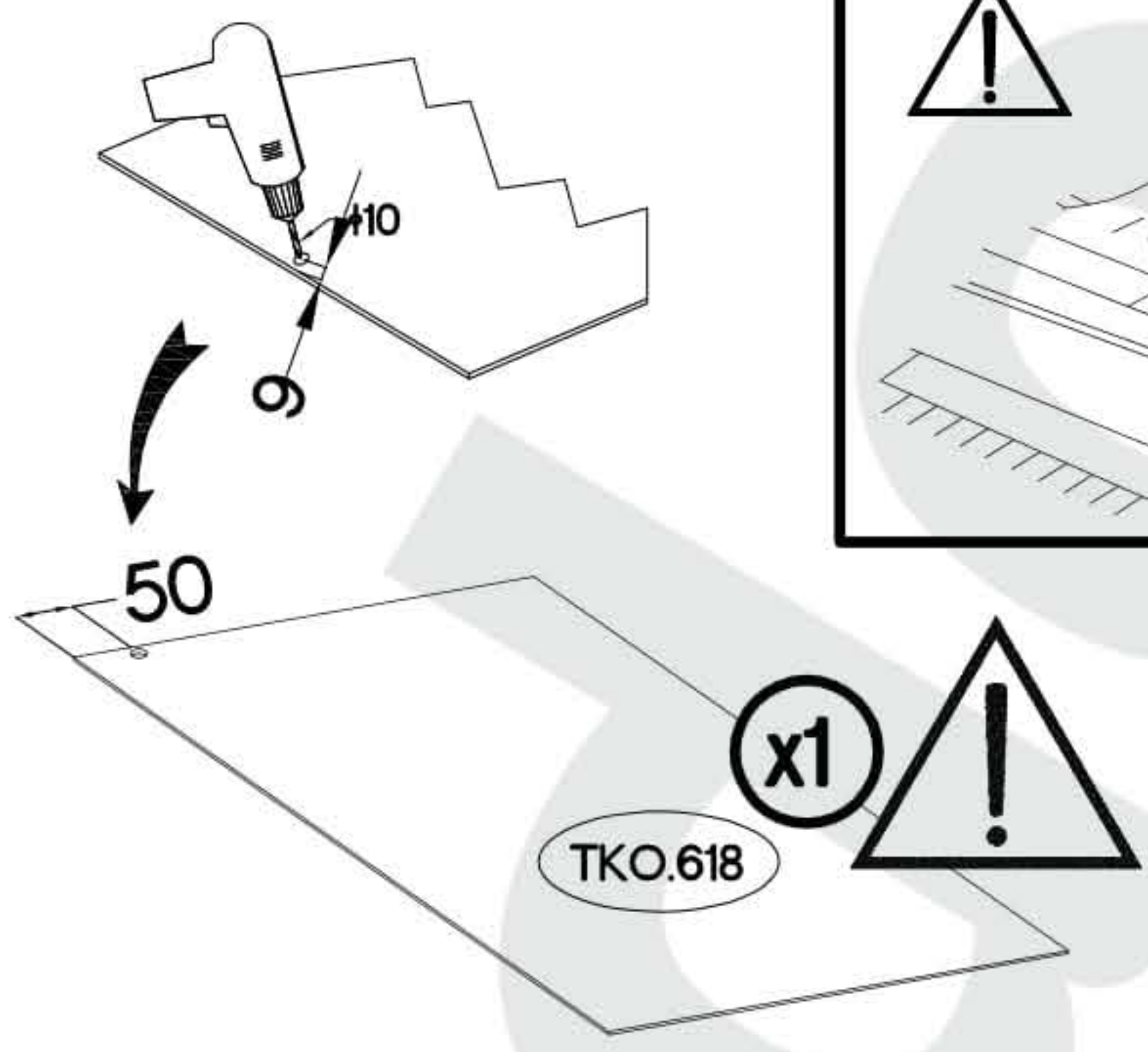
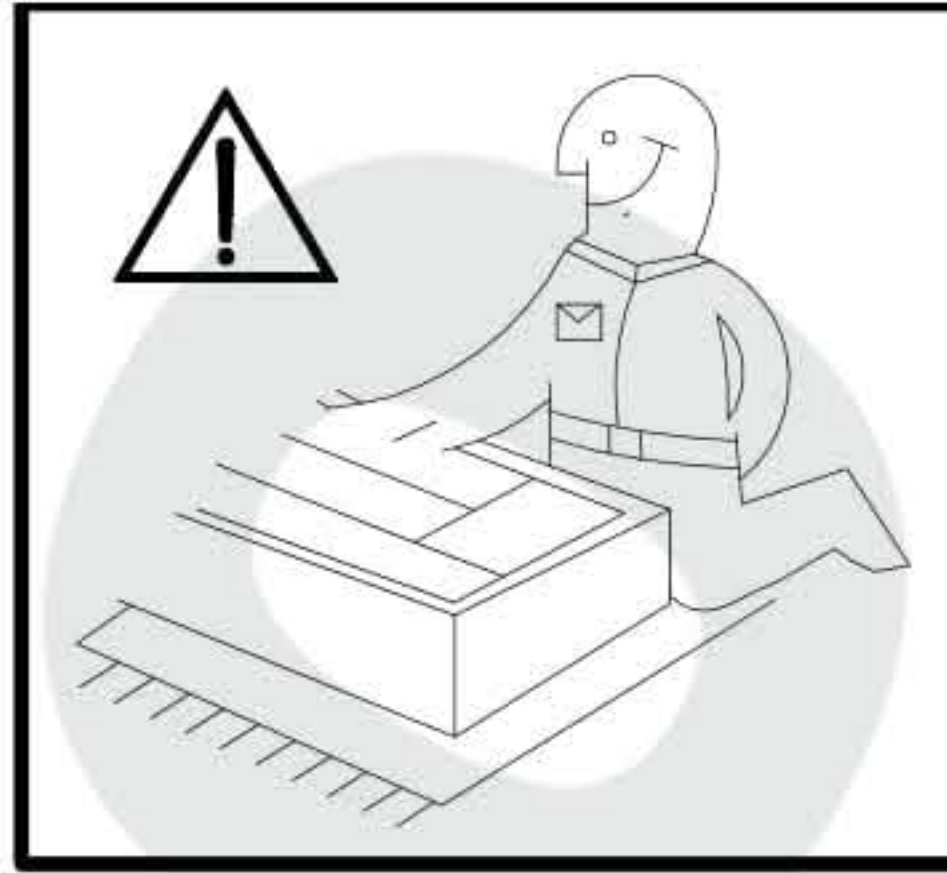


9

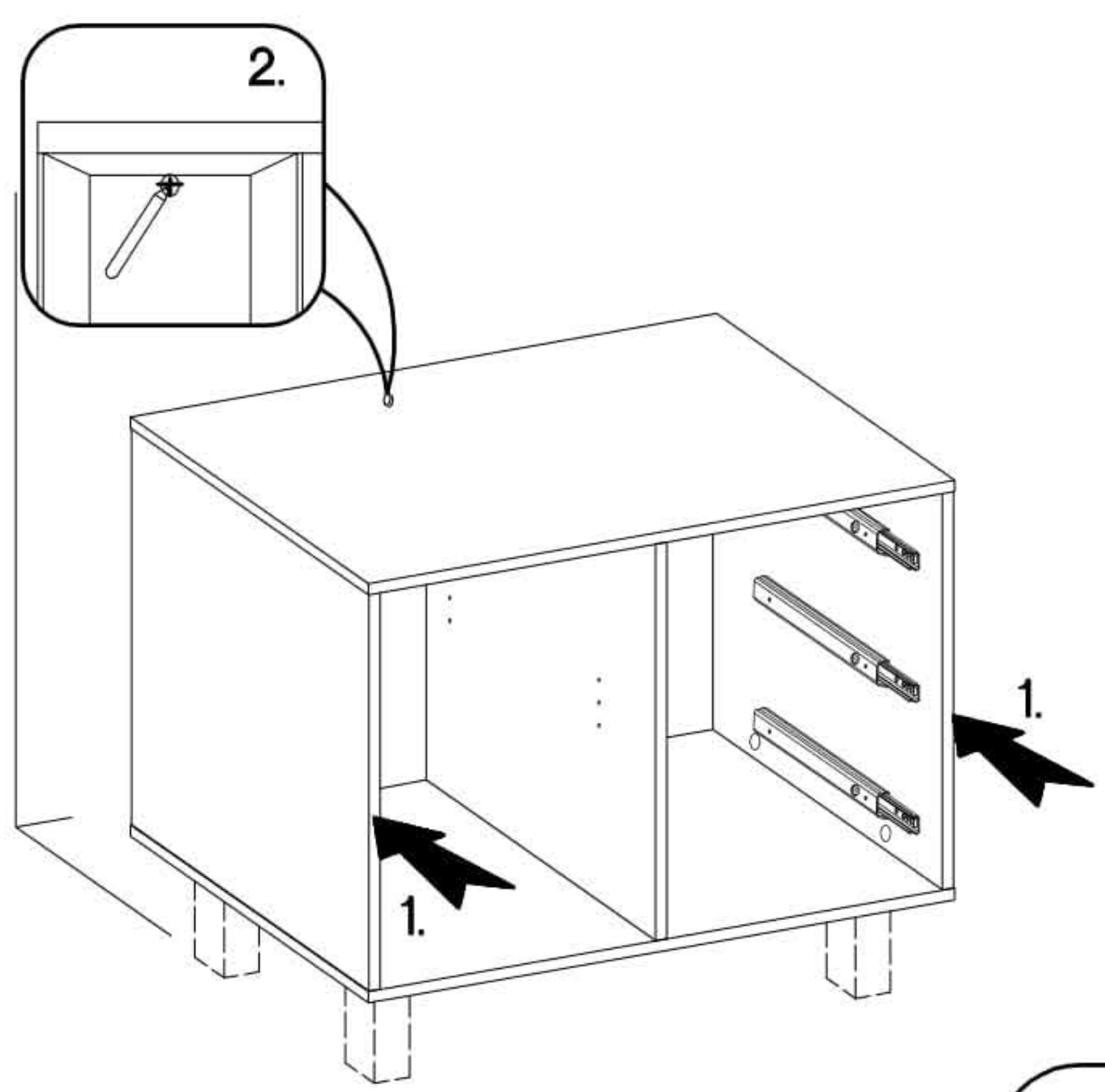




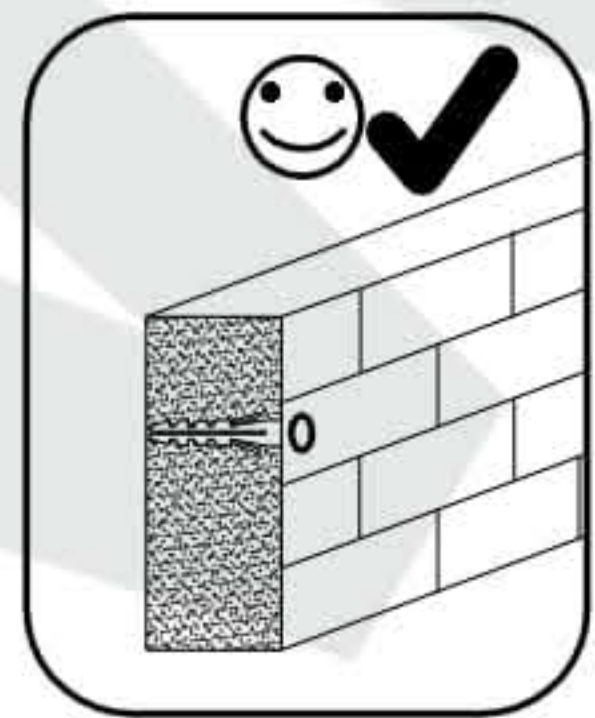
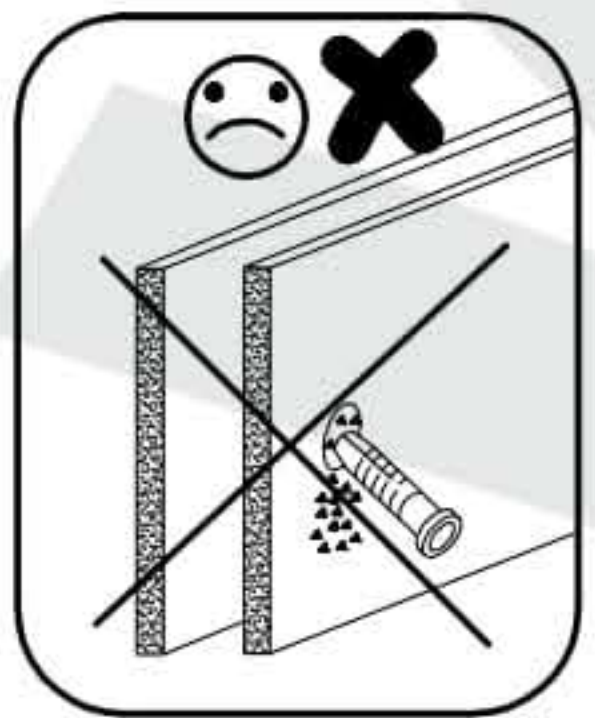
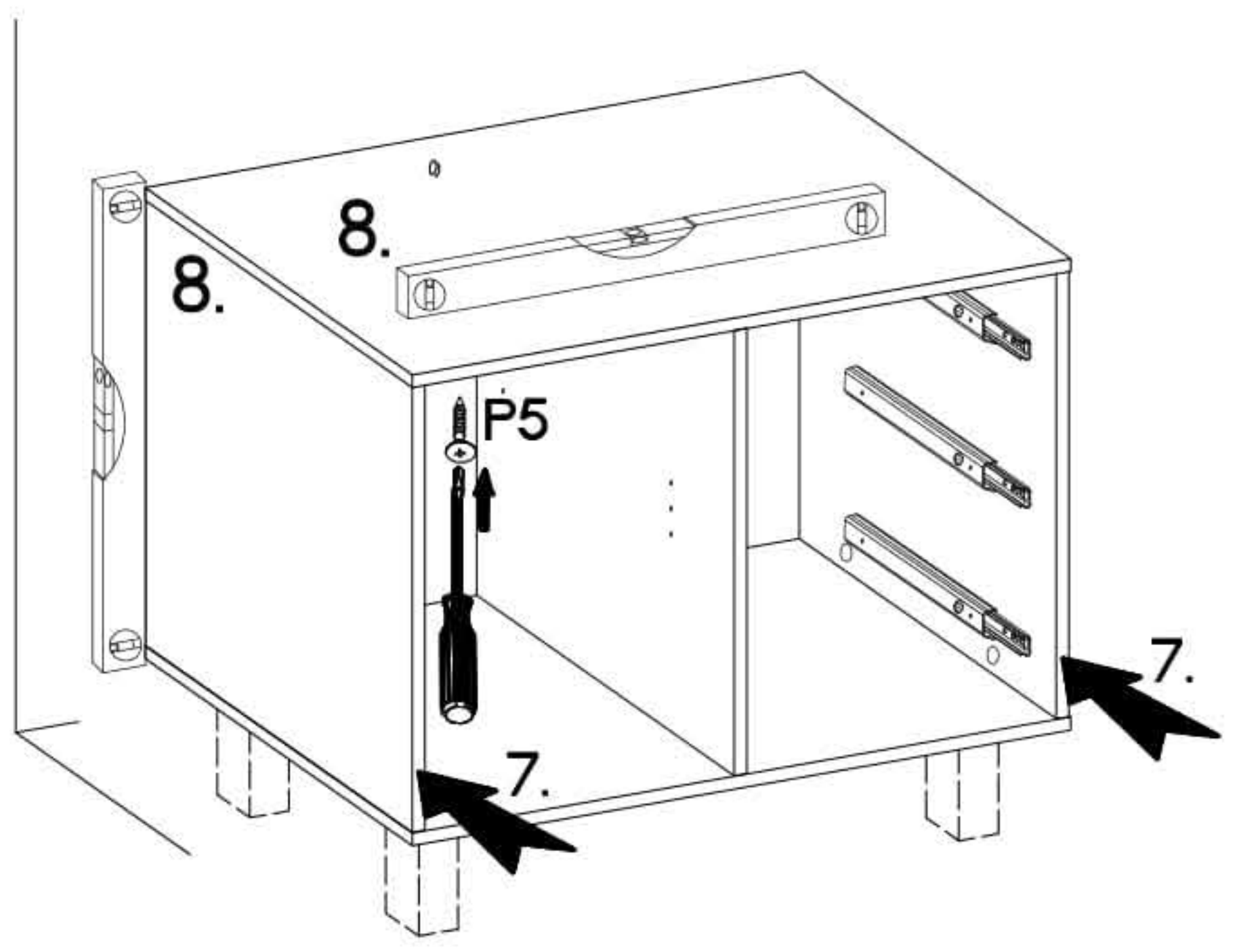
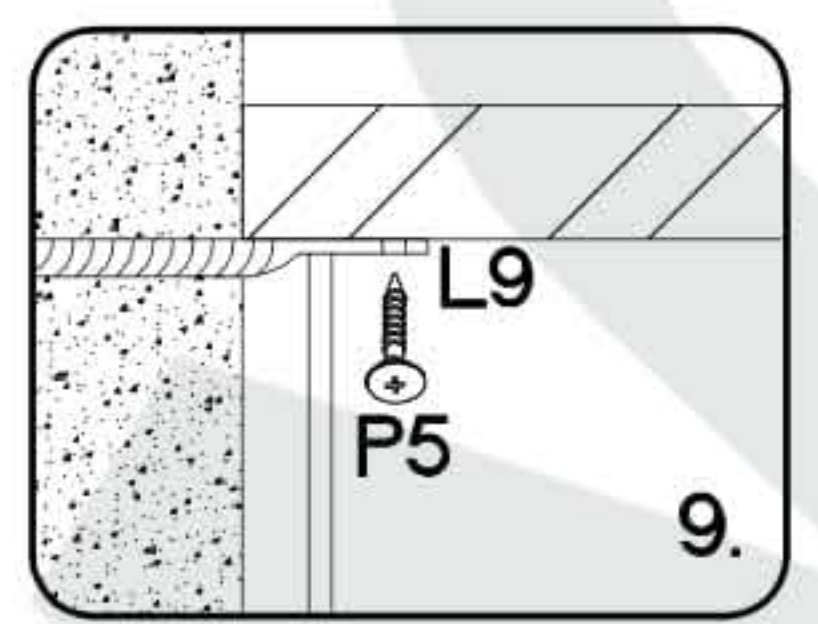
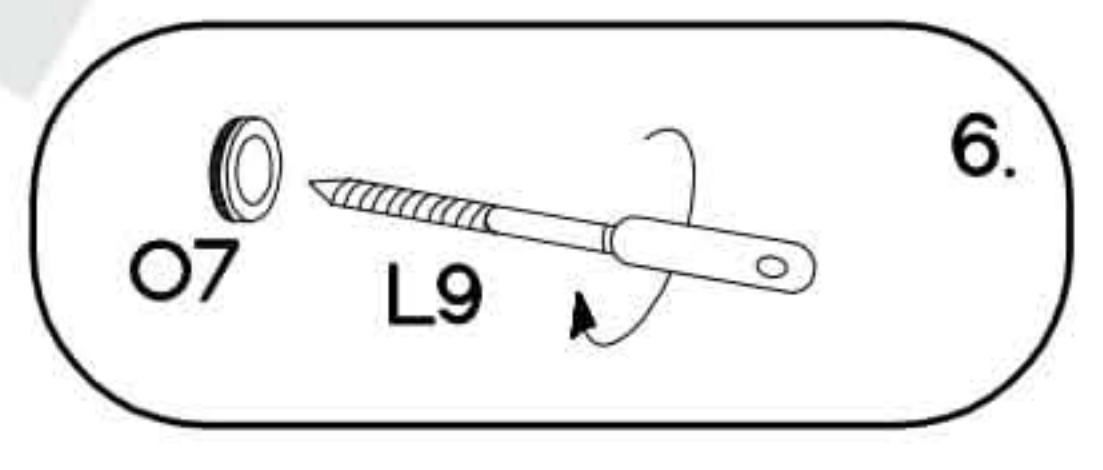
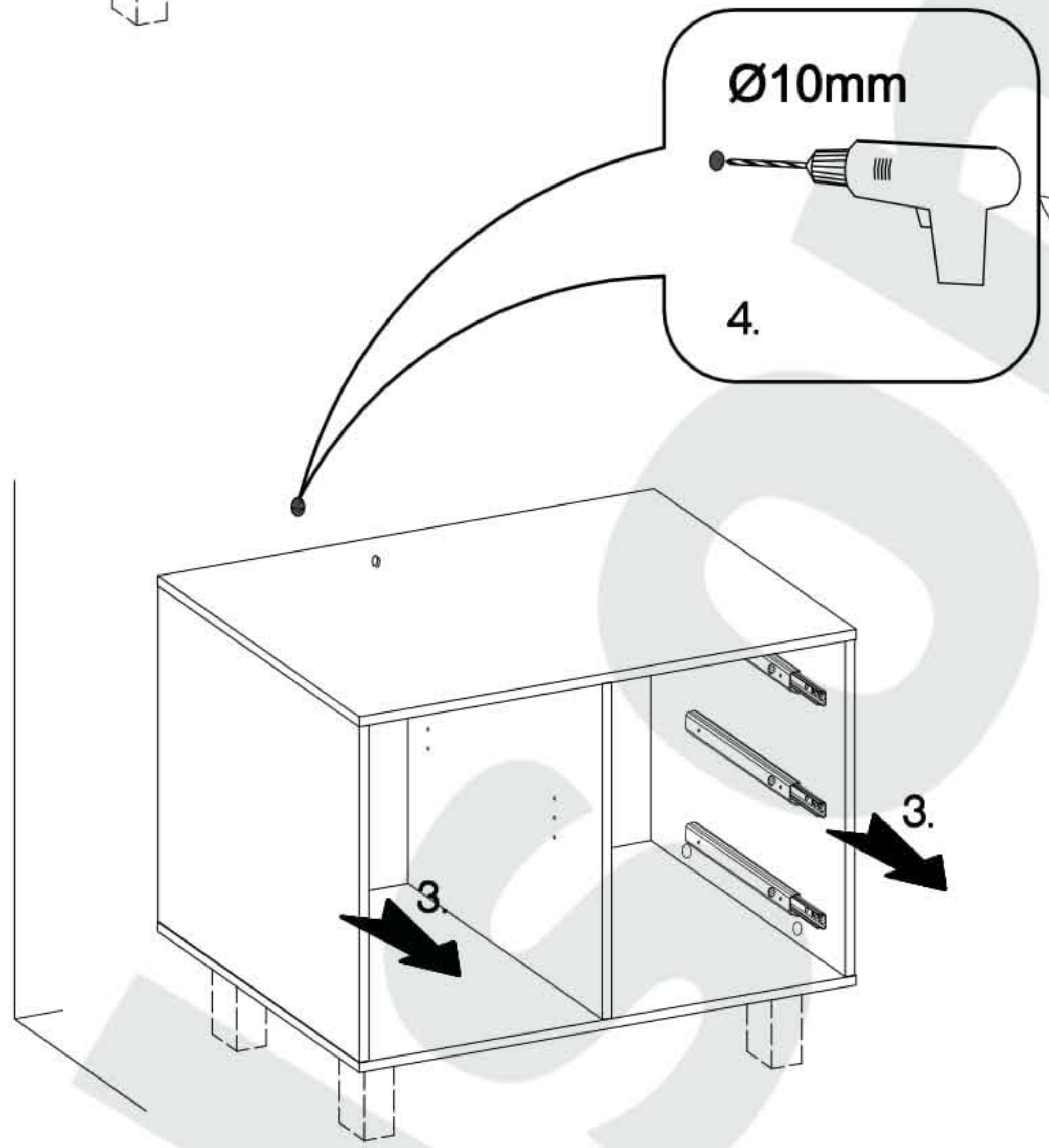
3.0x20mm			
	P7	L2	L
	5	5	12








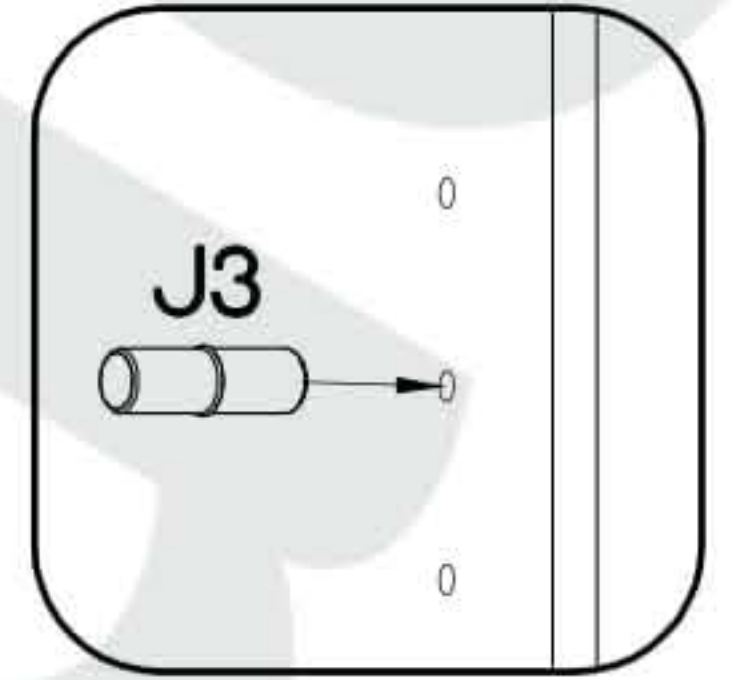
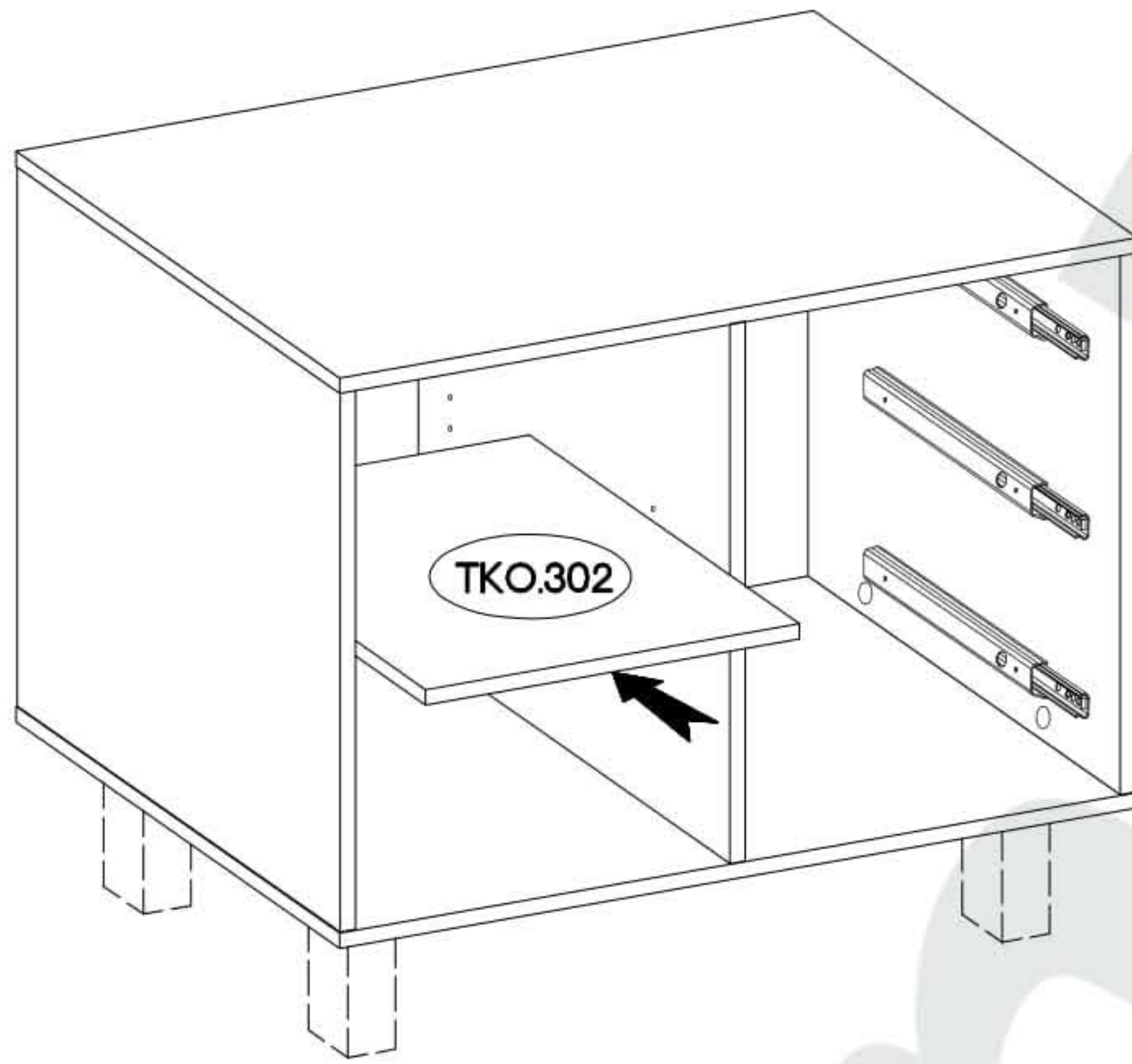
$\varnothing 10 \times 50 \text{mm}$  <b>O7</b> 1	$\varnothing 3.5 \times 13 \text{mm}$  <b>L9</b> 1	$\varnothing 3.5 \times 13 \text{mm}$  <b>P5</b> 1
--	---	---




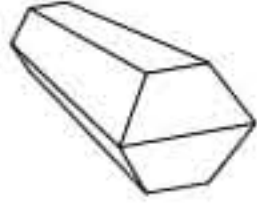



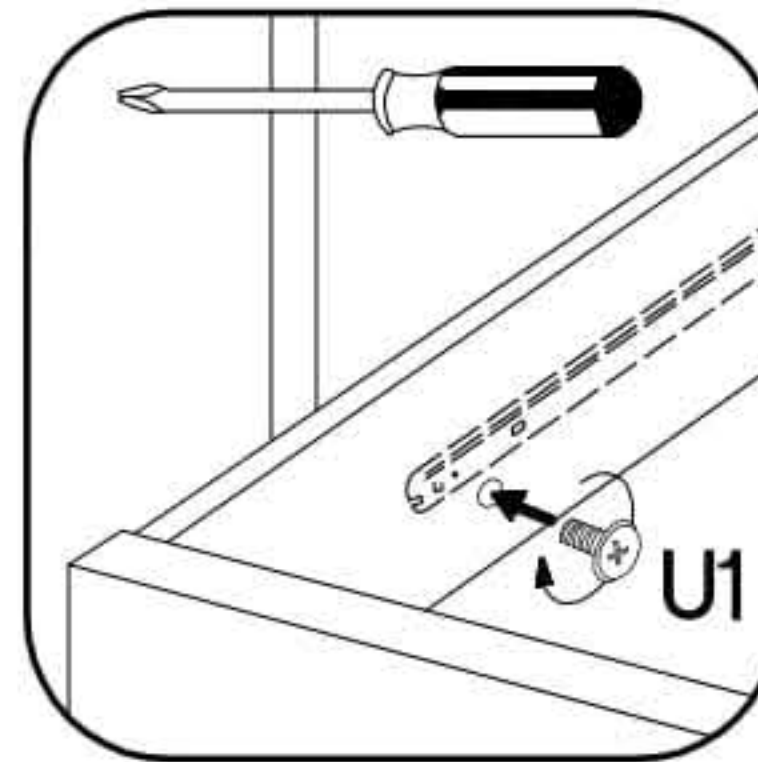
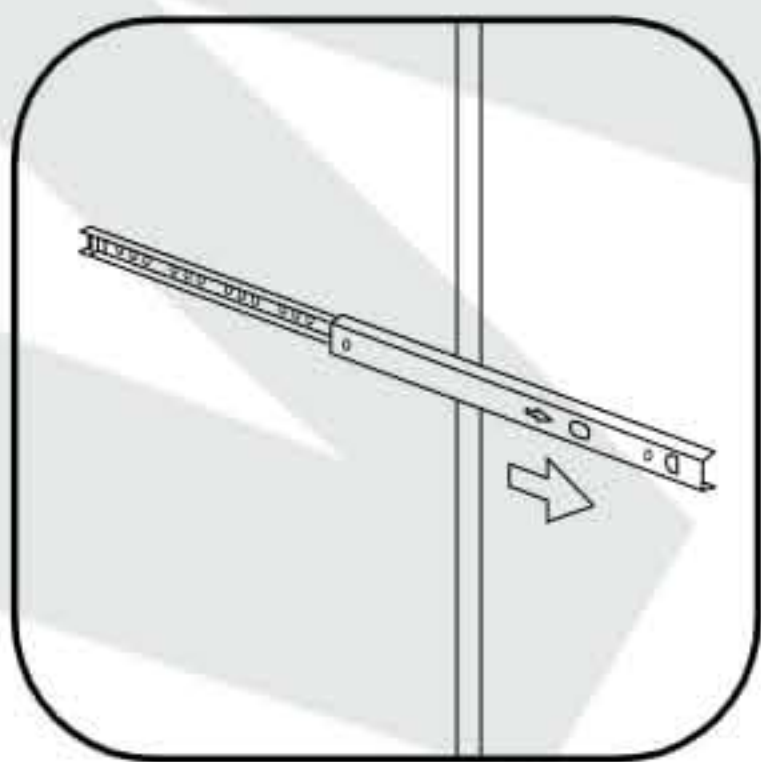
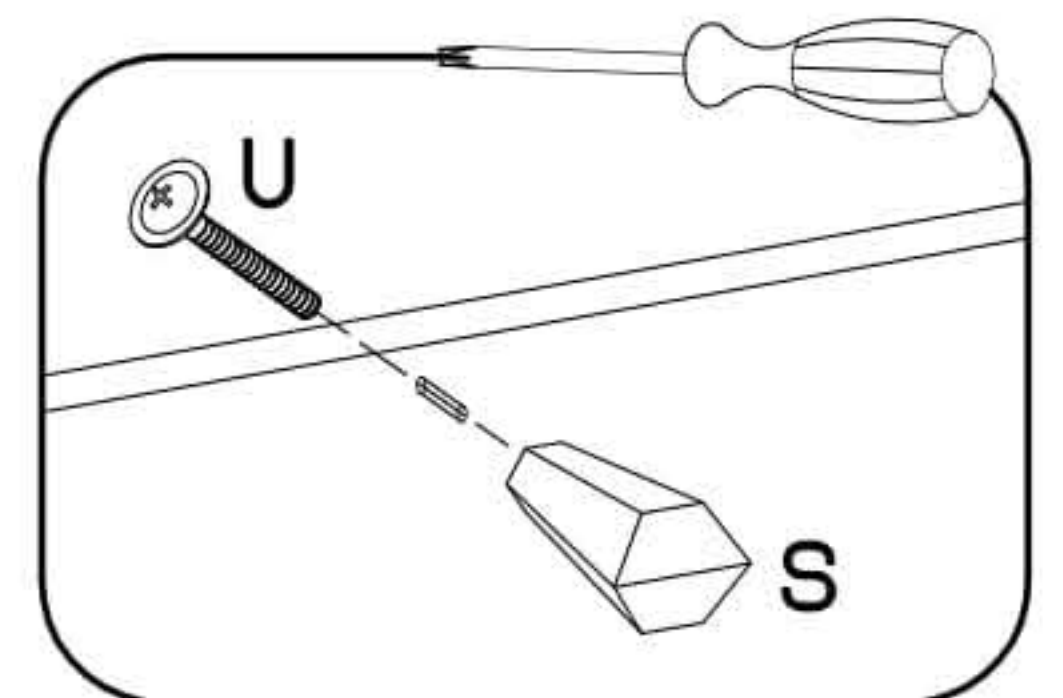
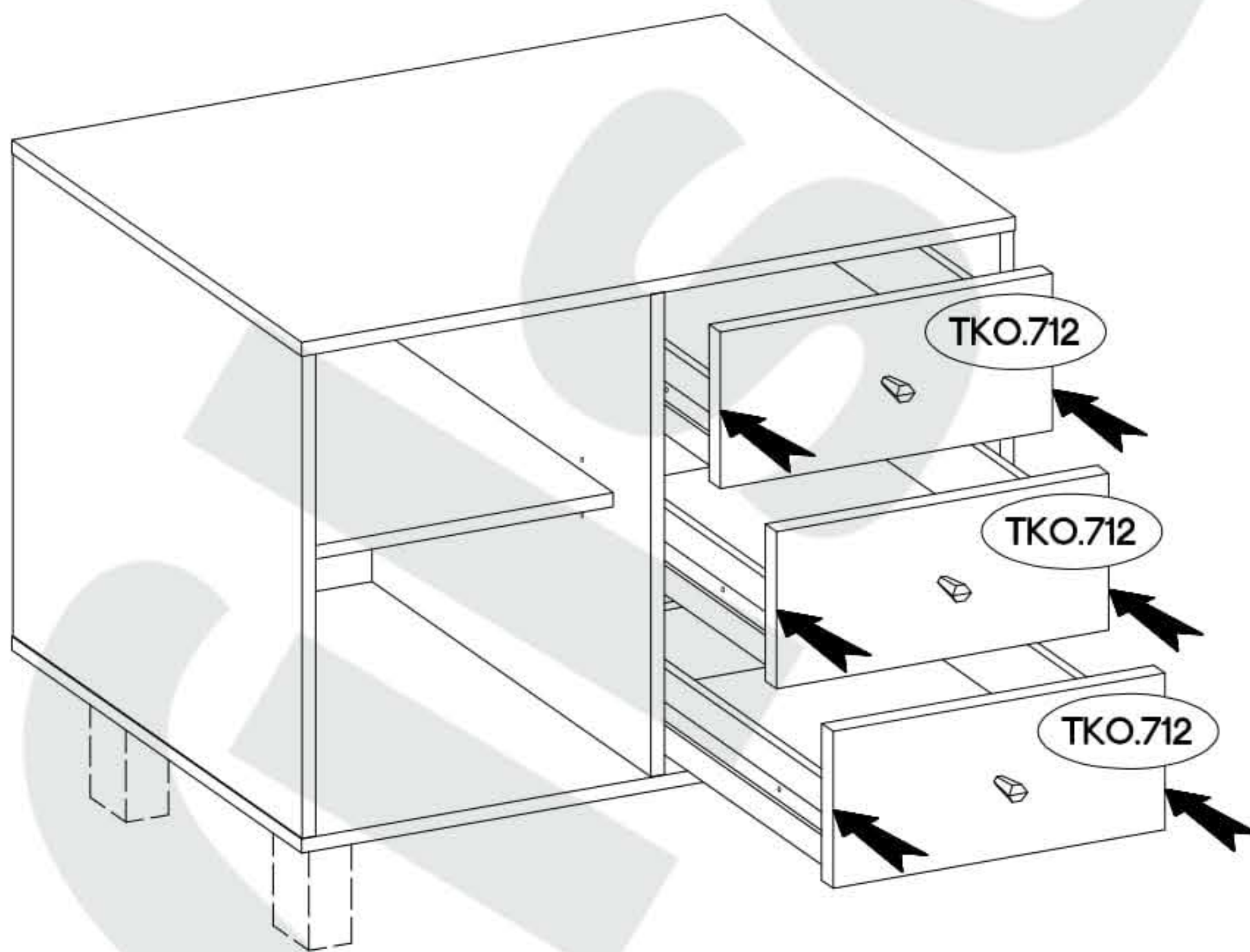
12

±5/16mm

J3
4



13

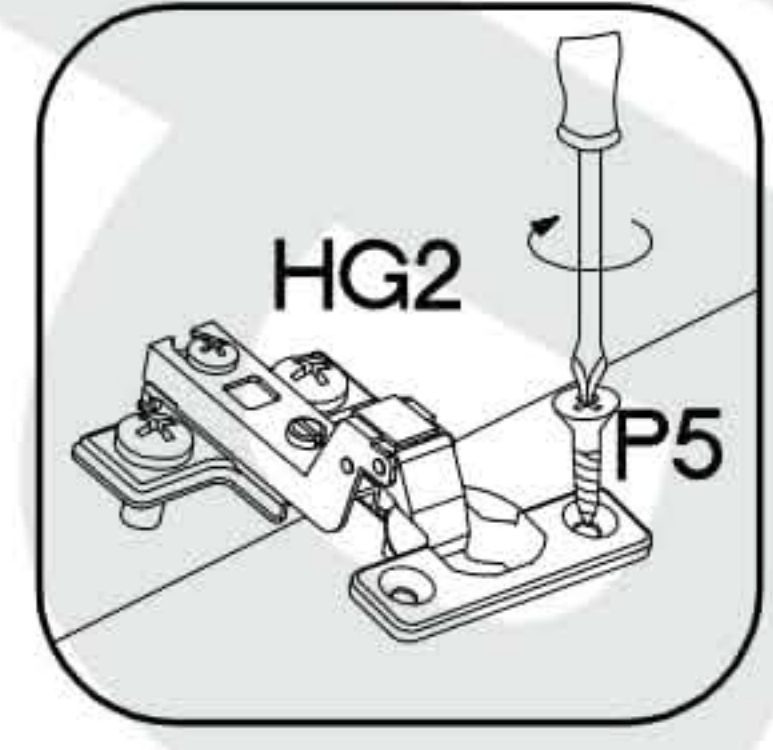
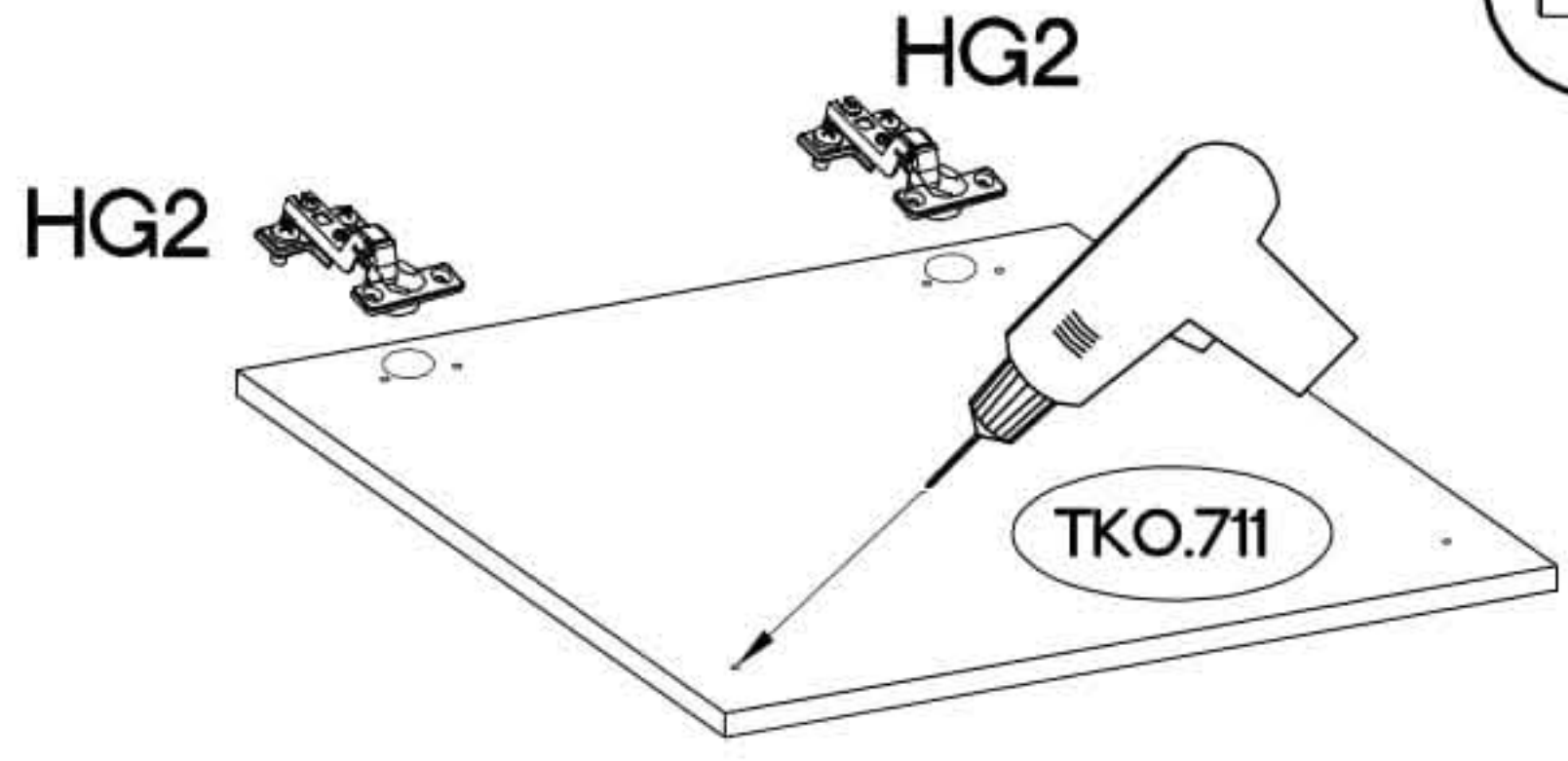
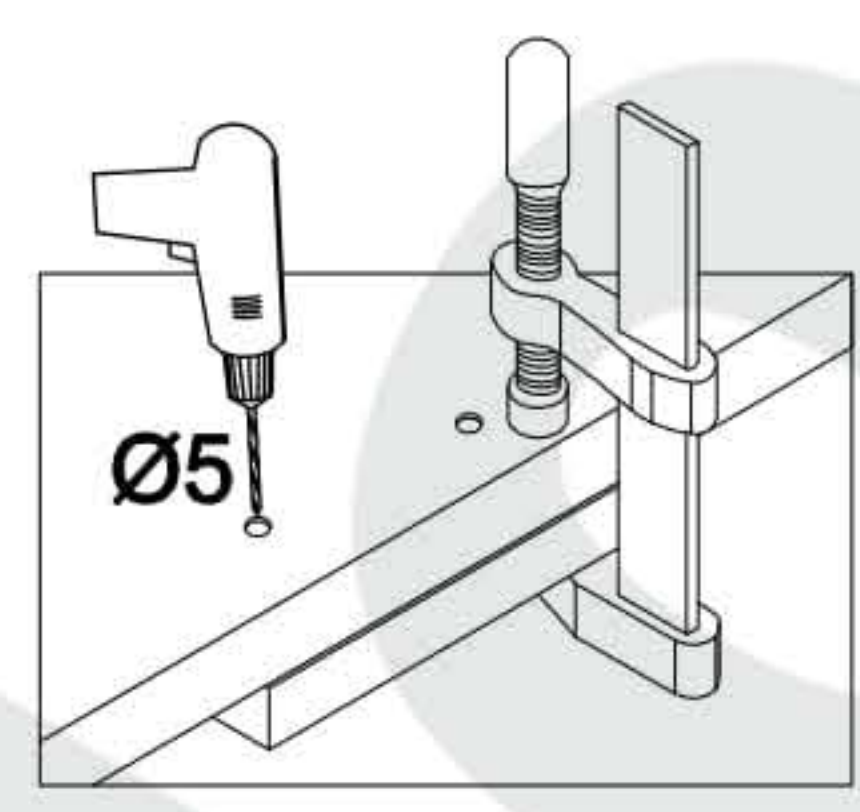
M4x9mm		M4x22mm
		
U1	S	U
6	3	3





14

+35/16mm HG2 2	+3.5x13mm P5 4
----------------------	----------------------



15

M4x22mm S 1	M4x22mm U 1	J12 1	+20 E11 4
-------------------	-------------------	----------	-----------------

