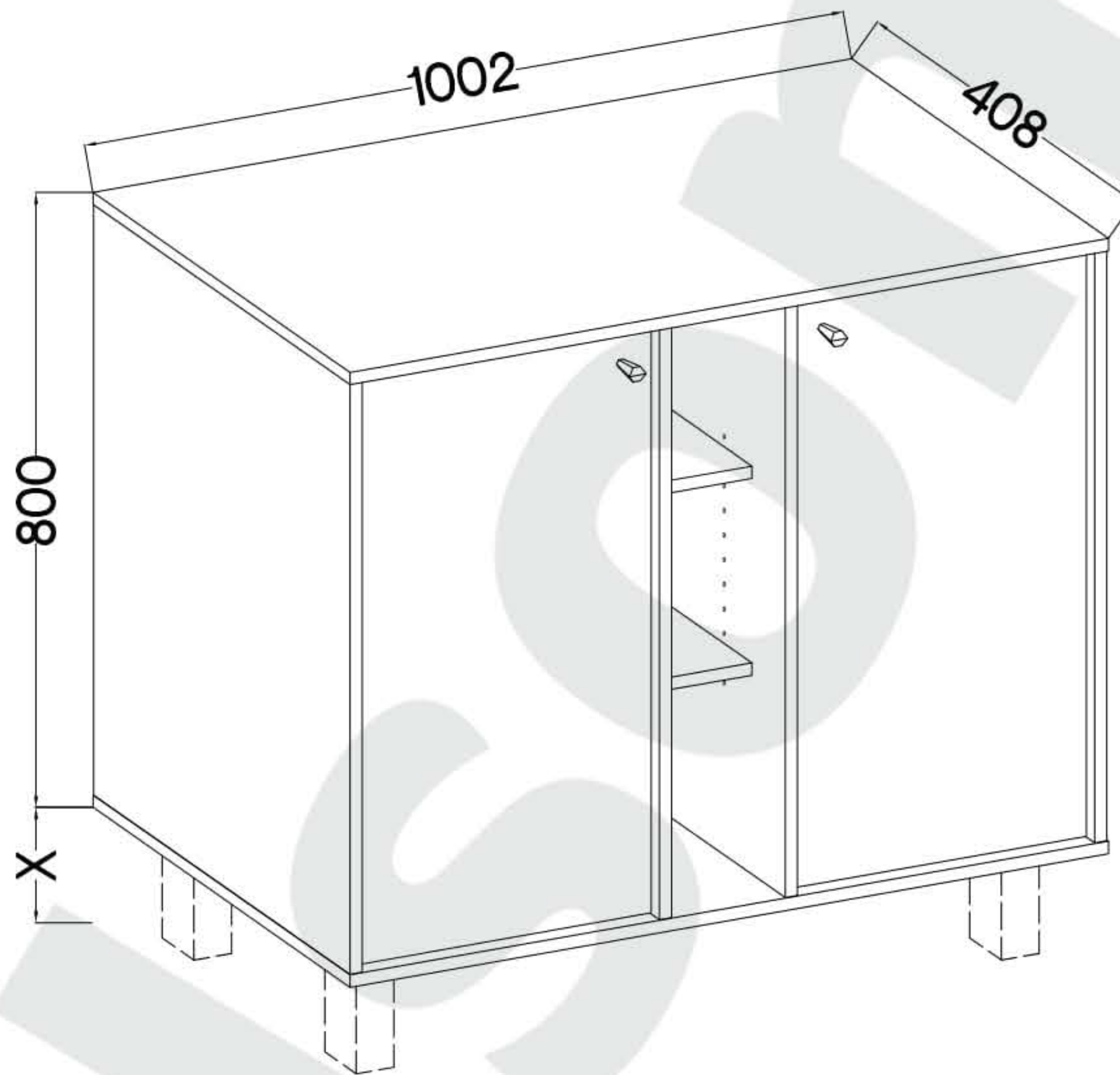


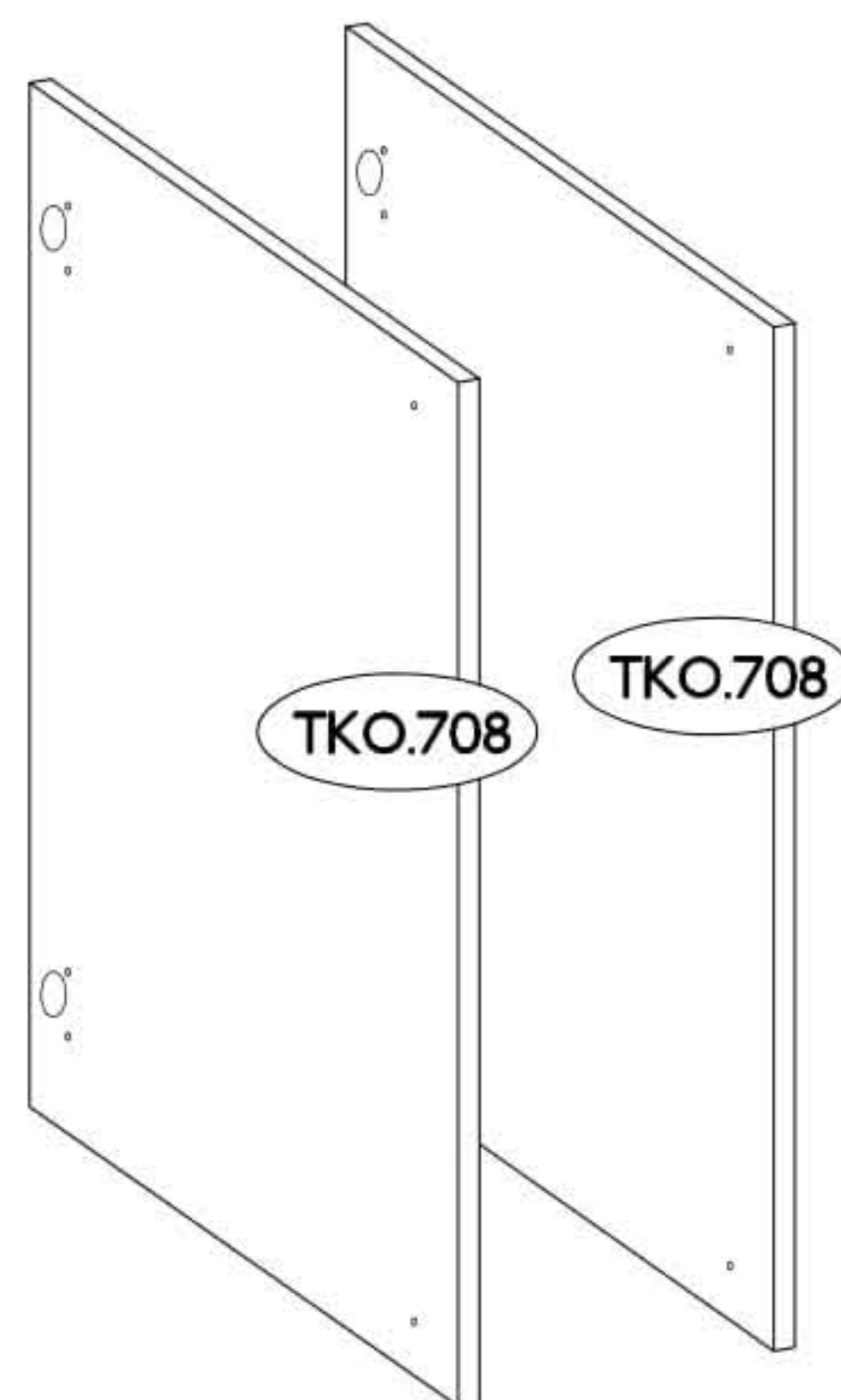
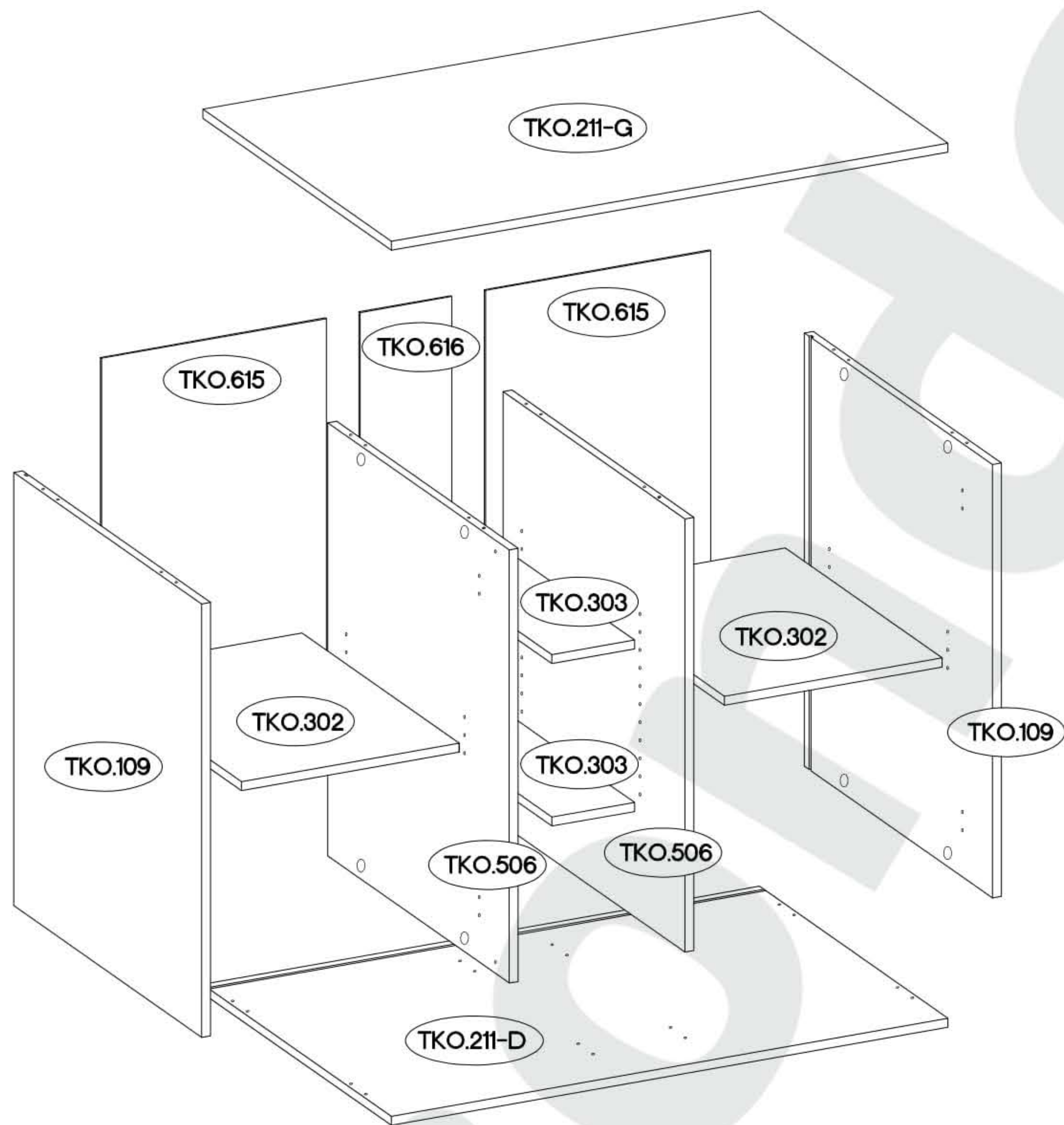
TYP 822



<p>†8x30mm</p> <p>A</p> <p>16</p>	<p>†15/12mm</p> <p>C</p> <p>16</p>	<p>L=20mm</p> <p>D2</p> <p>16</p>	<p>†20</p> <p>E11</p> <p>16</p>	<p>†35/16mm</p> <p>HG2</p> <p>4</p>	<p>†5/16mm</p> <p>J3</p> <p>16</p>	<p>J12</p> <p>2</p>	<p>L2</p> <p>14</p>	<p>L</p> <p>14</p>	<p>L9</p> <p>1</p>	<p>†10x50mm</p> <p>O7</p> <p>1</p>	<p>†3.5x13mm</p> <p>P5</p> <p>9</p>	<p>†3.0x20mm</p> <p>P7</p> <p>14</p>	<p>S</p> <p>2</p>	<p>M4x22mm</p> <p>U</p> <p>2</p>
-----------------------------------	------------------------------------	-----------------------------------	---------------------------------	-------------------------------------	------------------------------------	---------------------	---------------------	--------------------	--------------------	------------------------------------	-------------------------------------	--------------------------------------	-------------------	----------------------------------

ISM-TKO-008



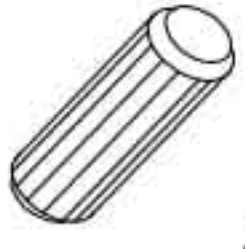



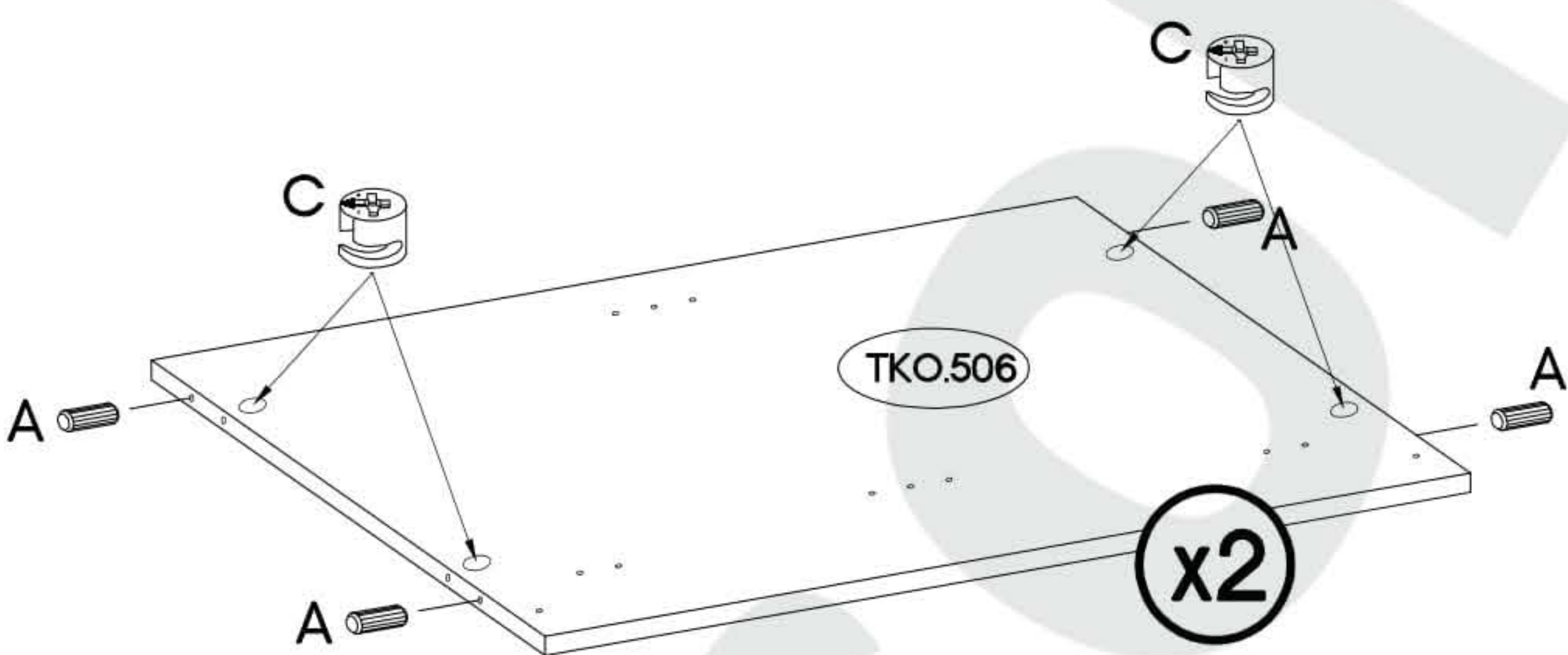
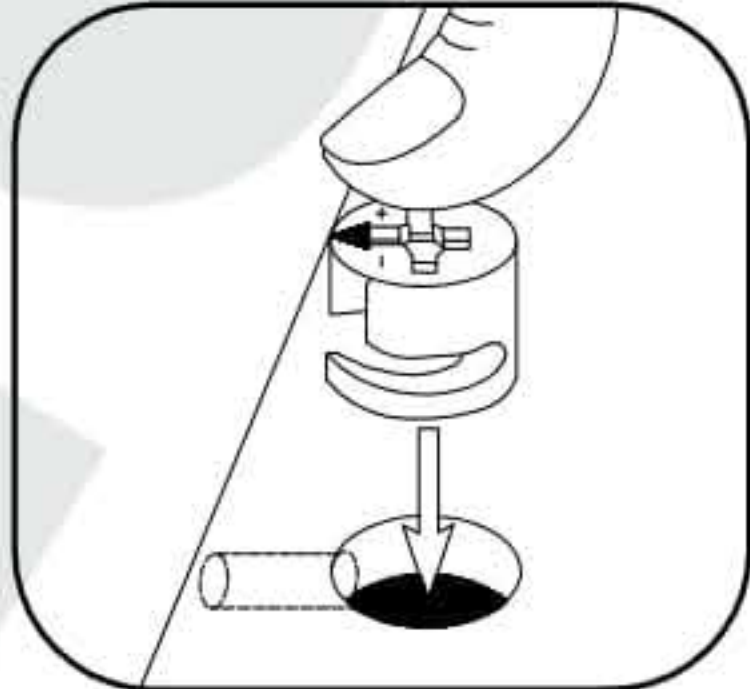
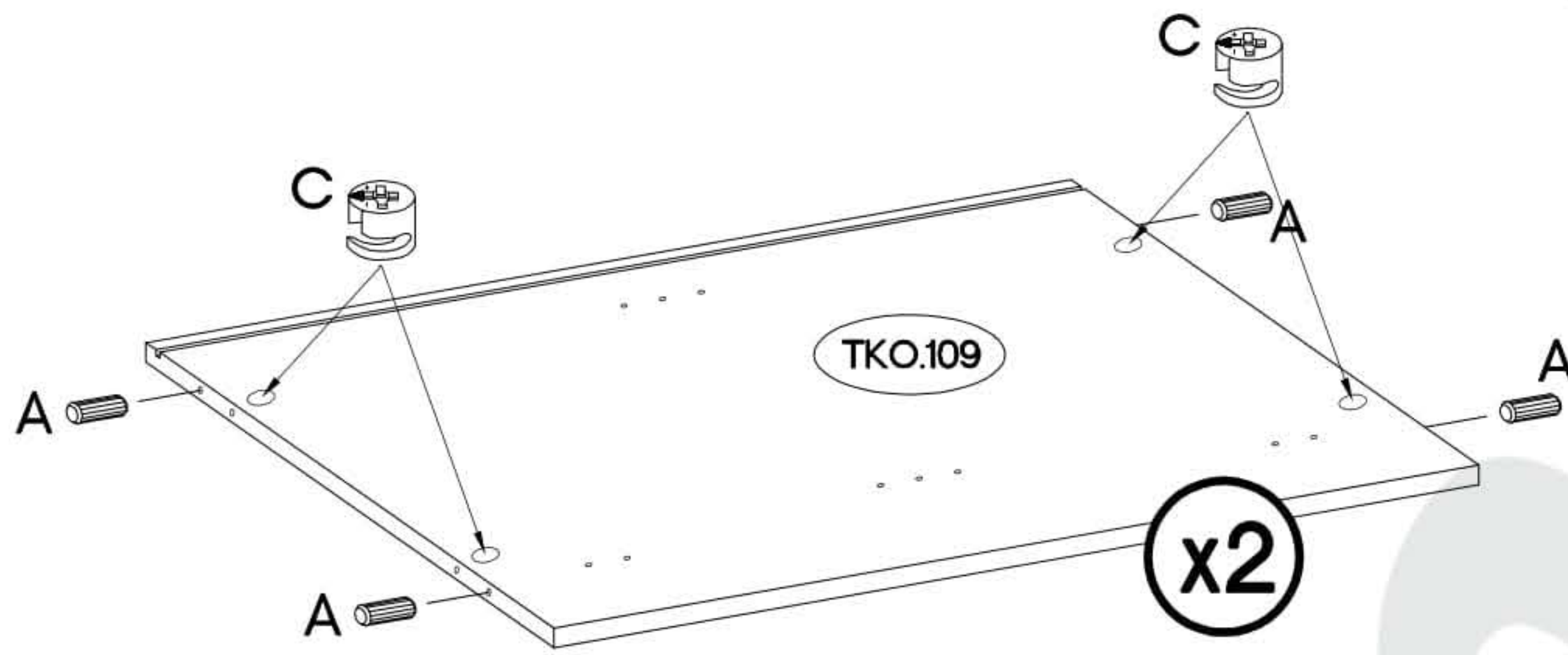
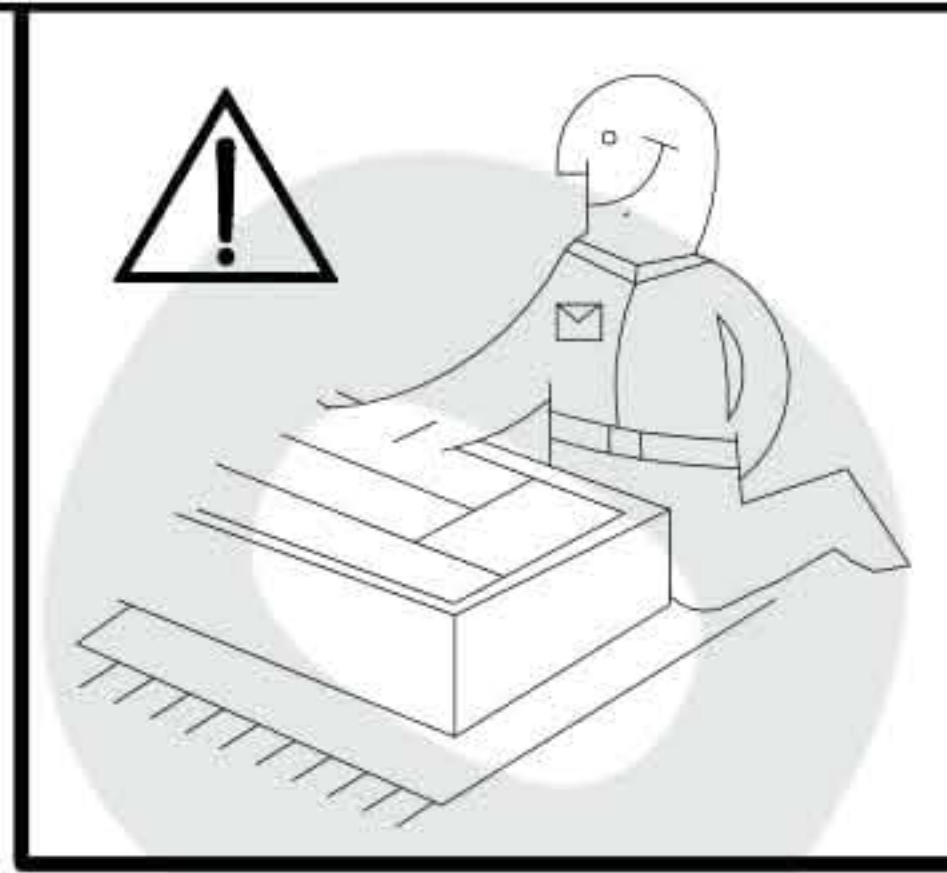
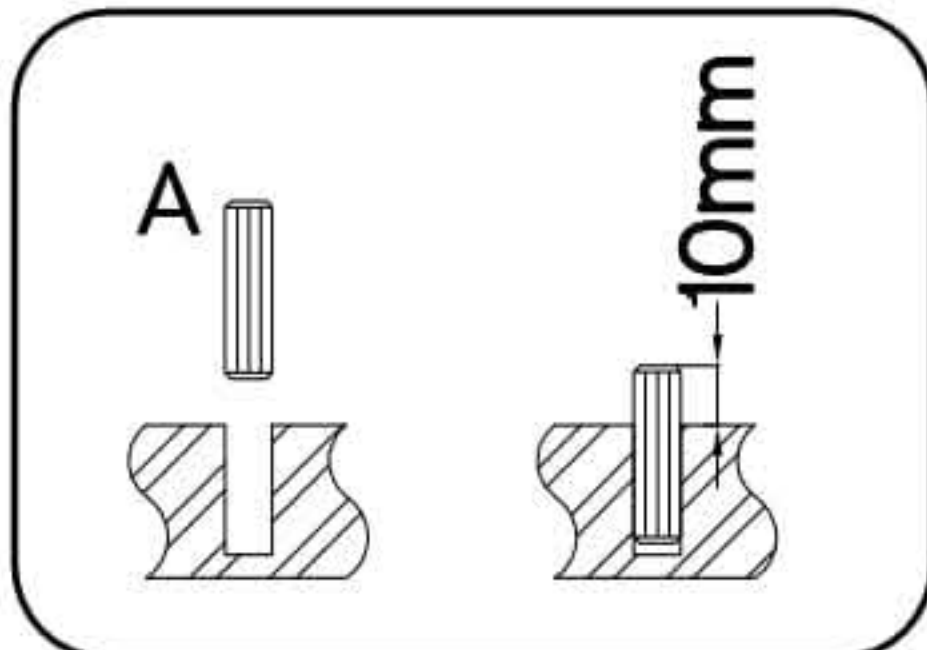
	Ersatzteil Nummer	Dimension
	TKO.109 x2	768x407x16
	TKO.506 x2	768x393x16
	TKO.211 x2	1002x408x16
	TKO.302 x2	392x340x16
	TKO.303 x2	149x340x16
	TKO.615 x2	777x405x2,5
	TKO.616	777x165x2,5
	TKO.708 x2	762x389x16





1

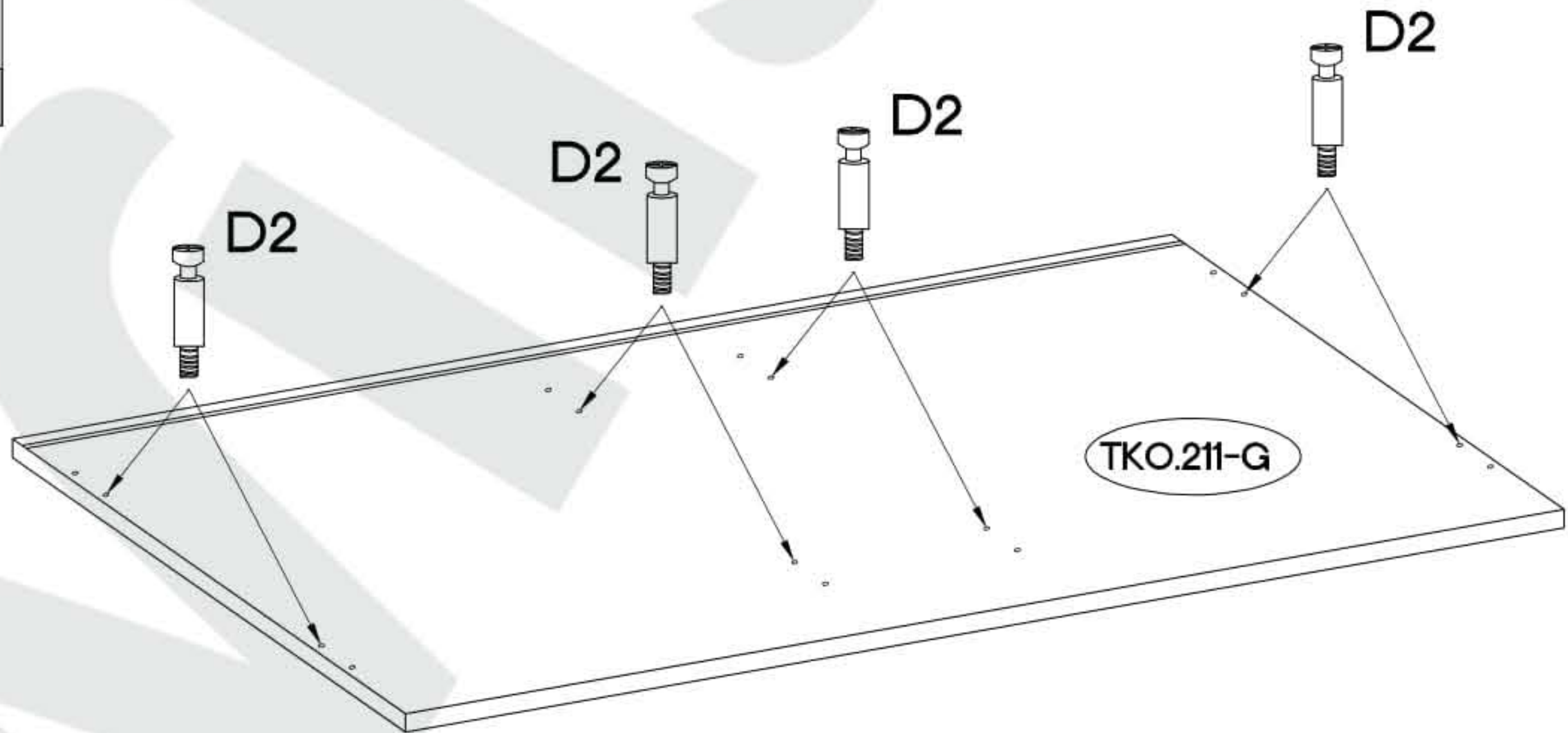
†8x30mm	†15/12mm
	
A	C
16	16



2

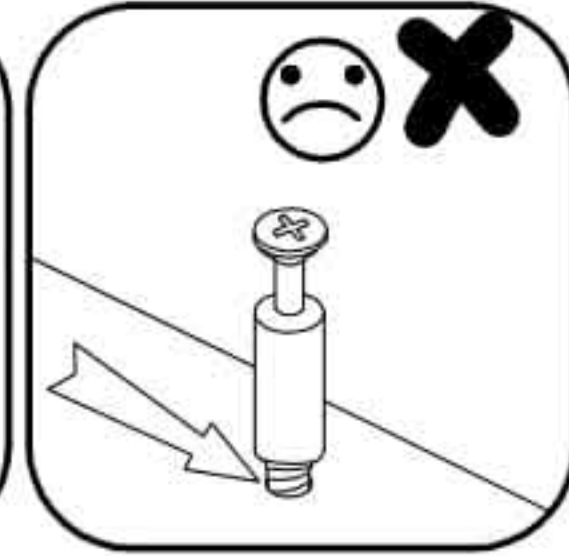
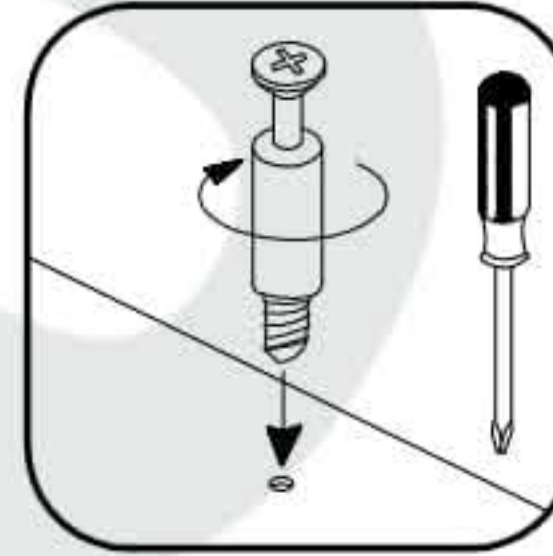
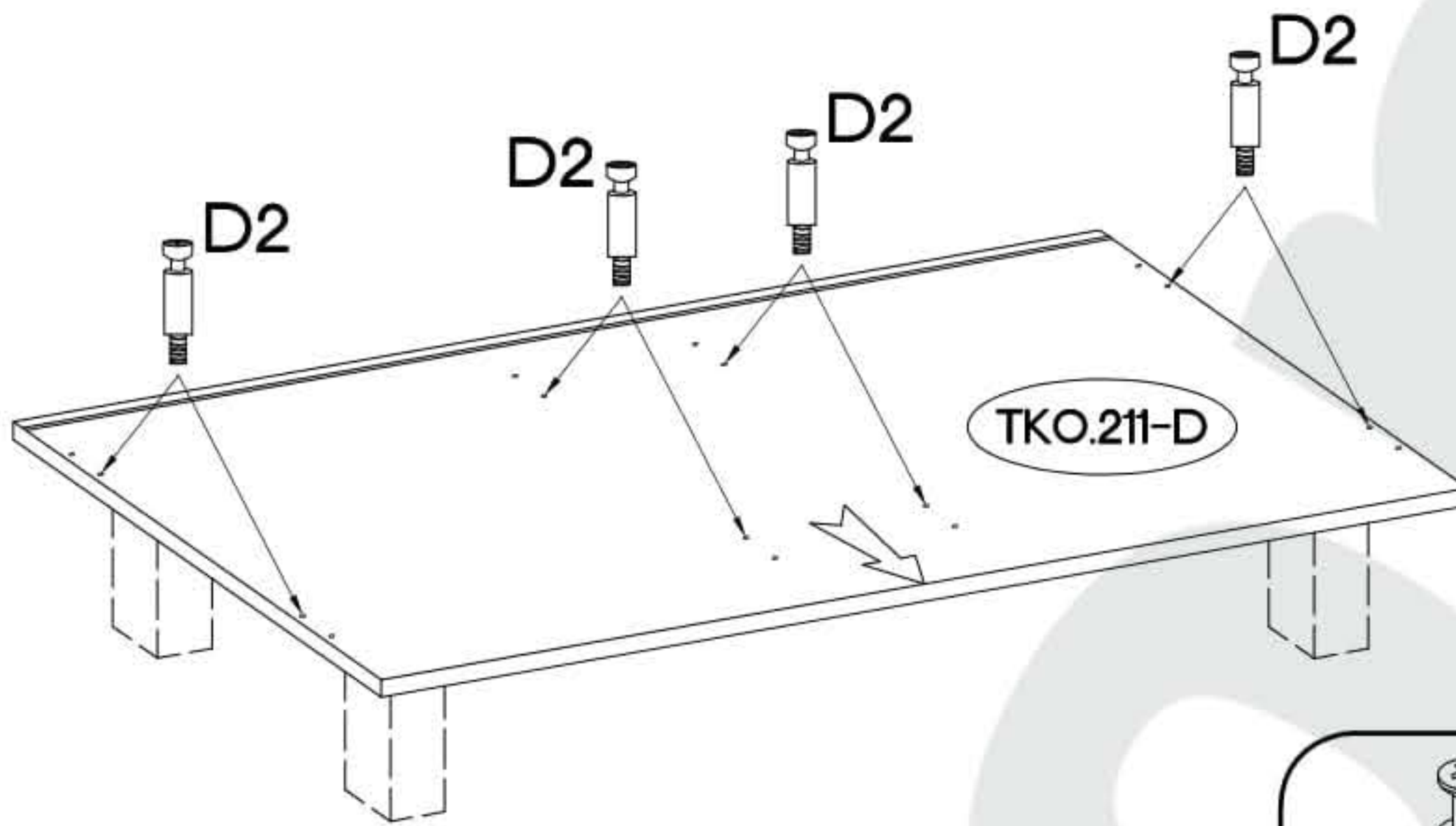
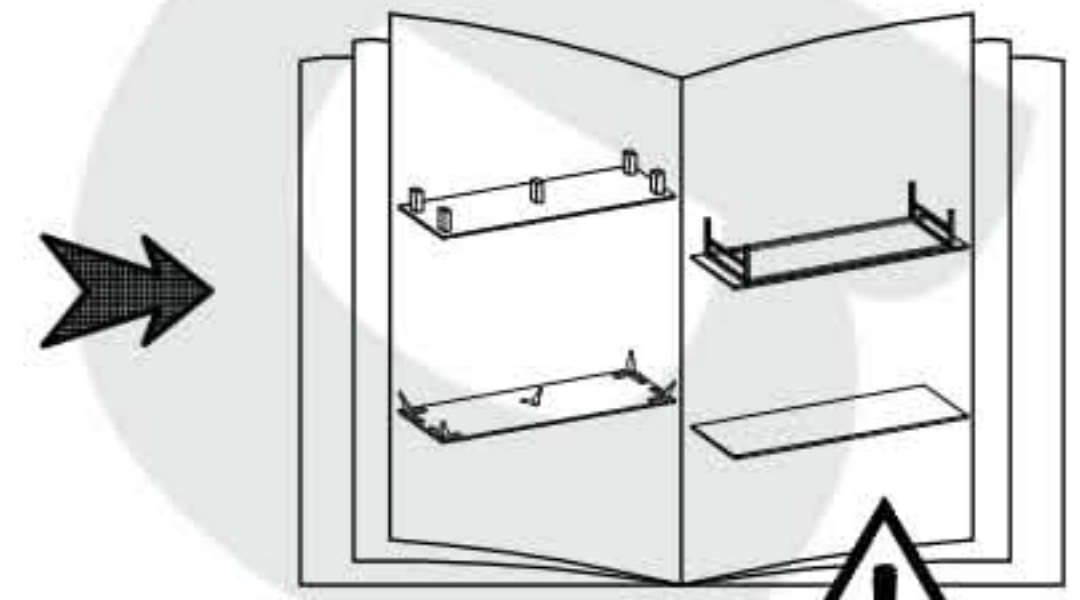
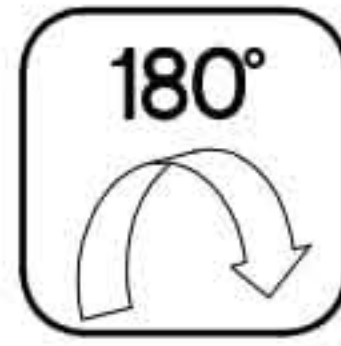
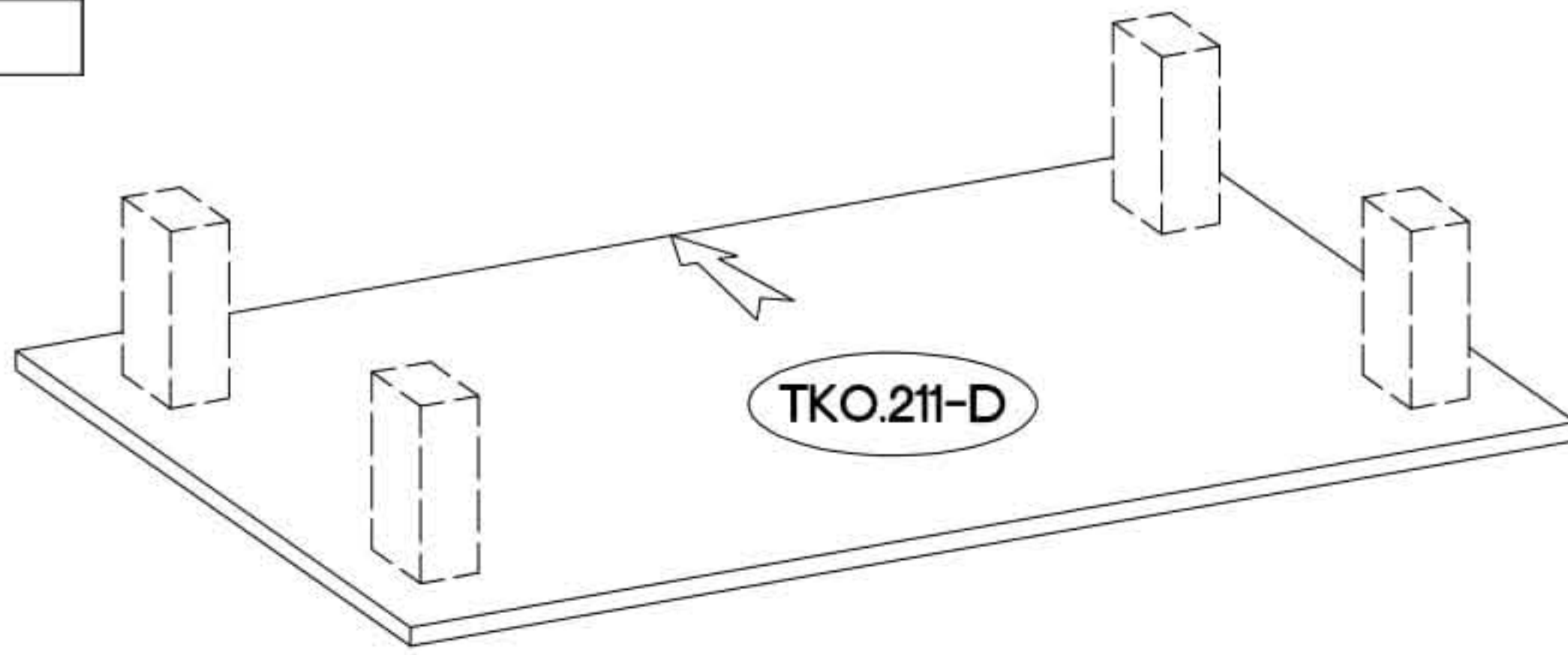
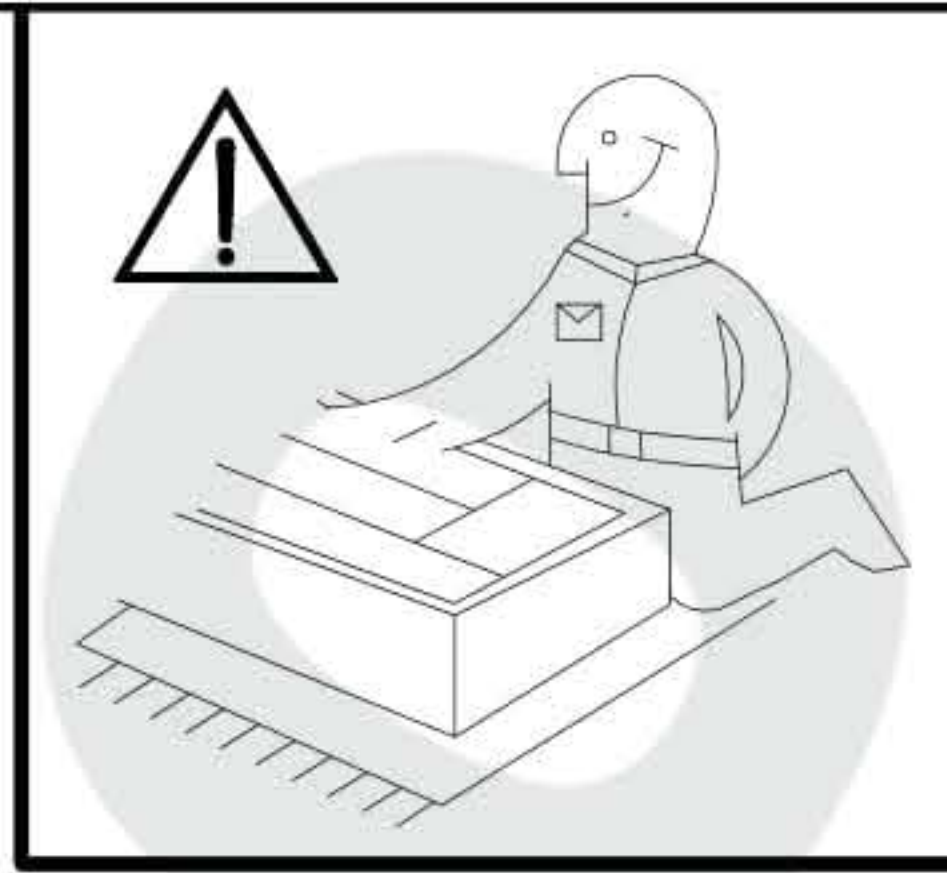
L=20mm

D2
8

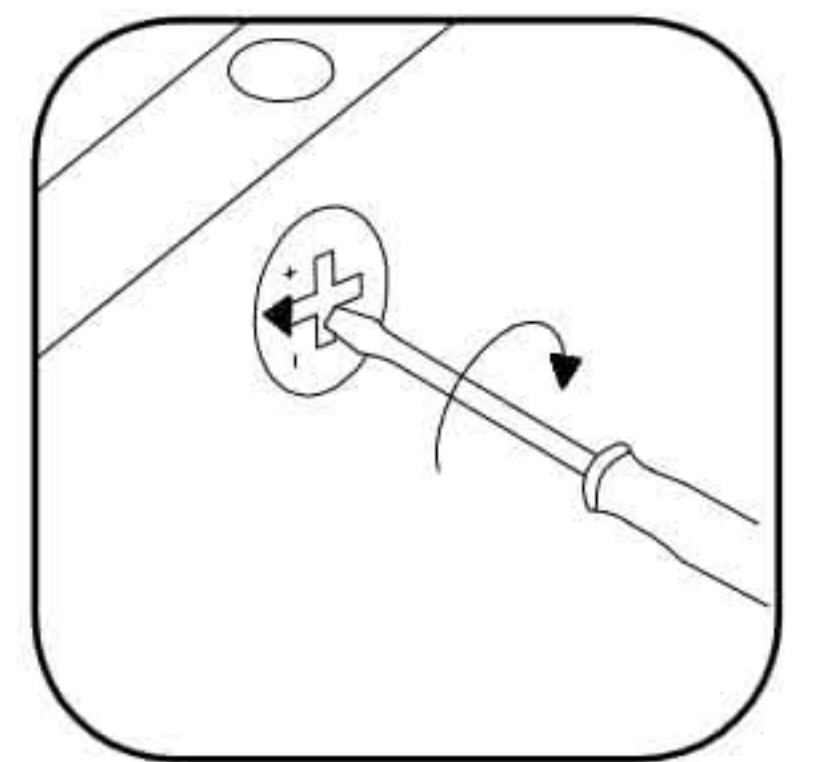
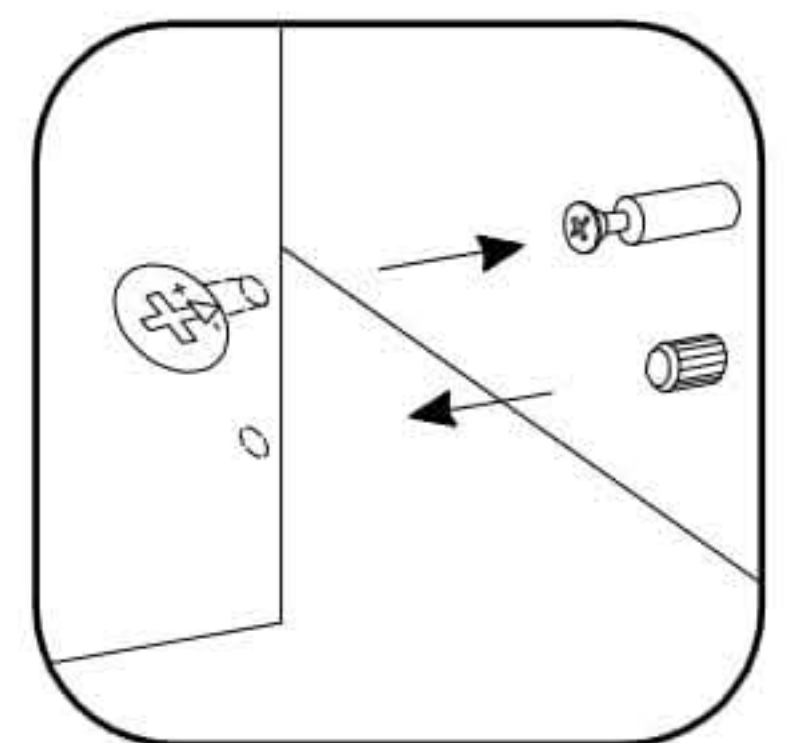
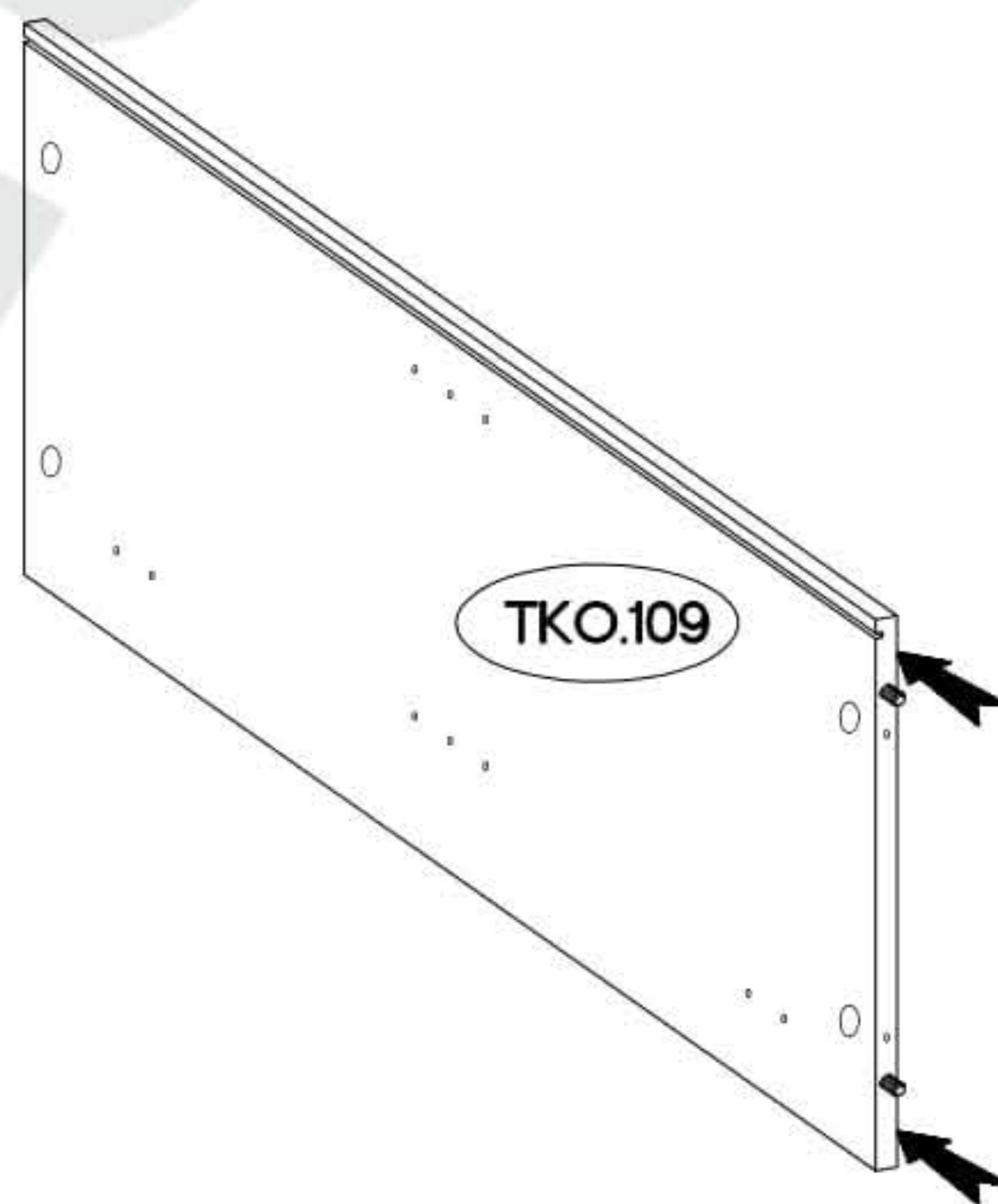
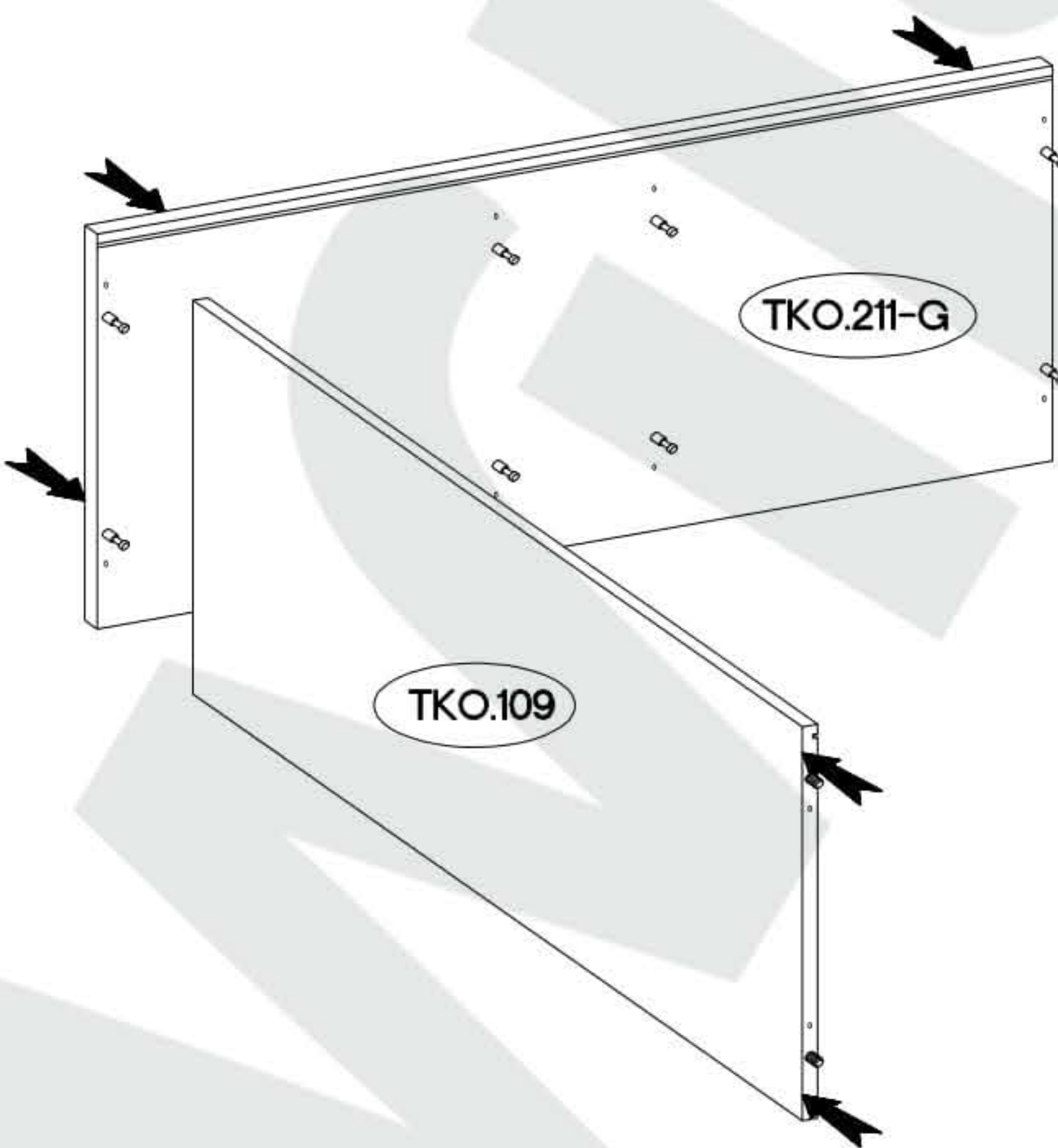




3

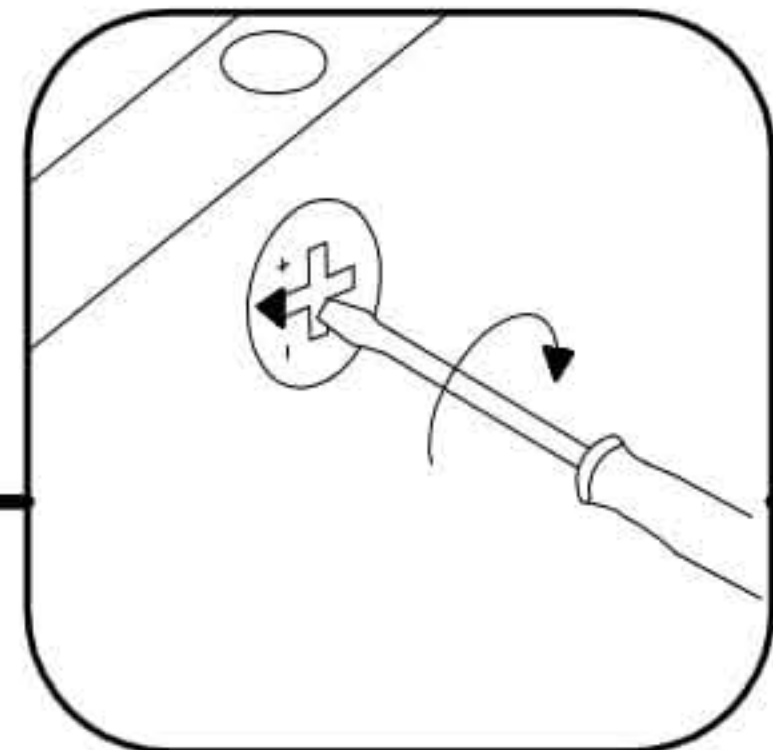
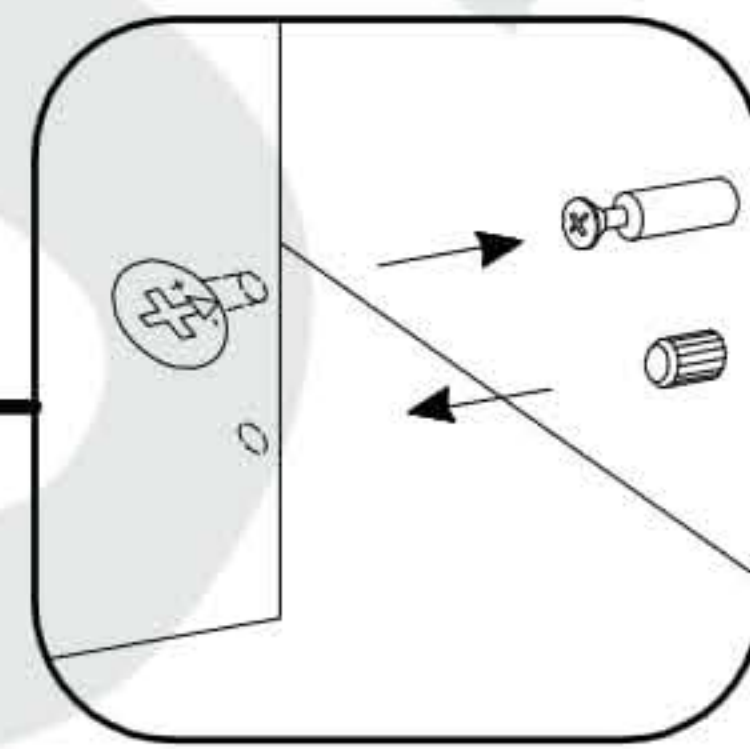
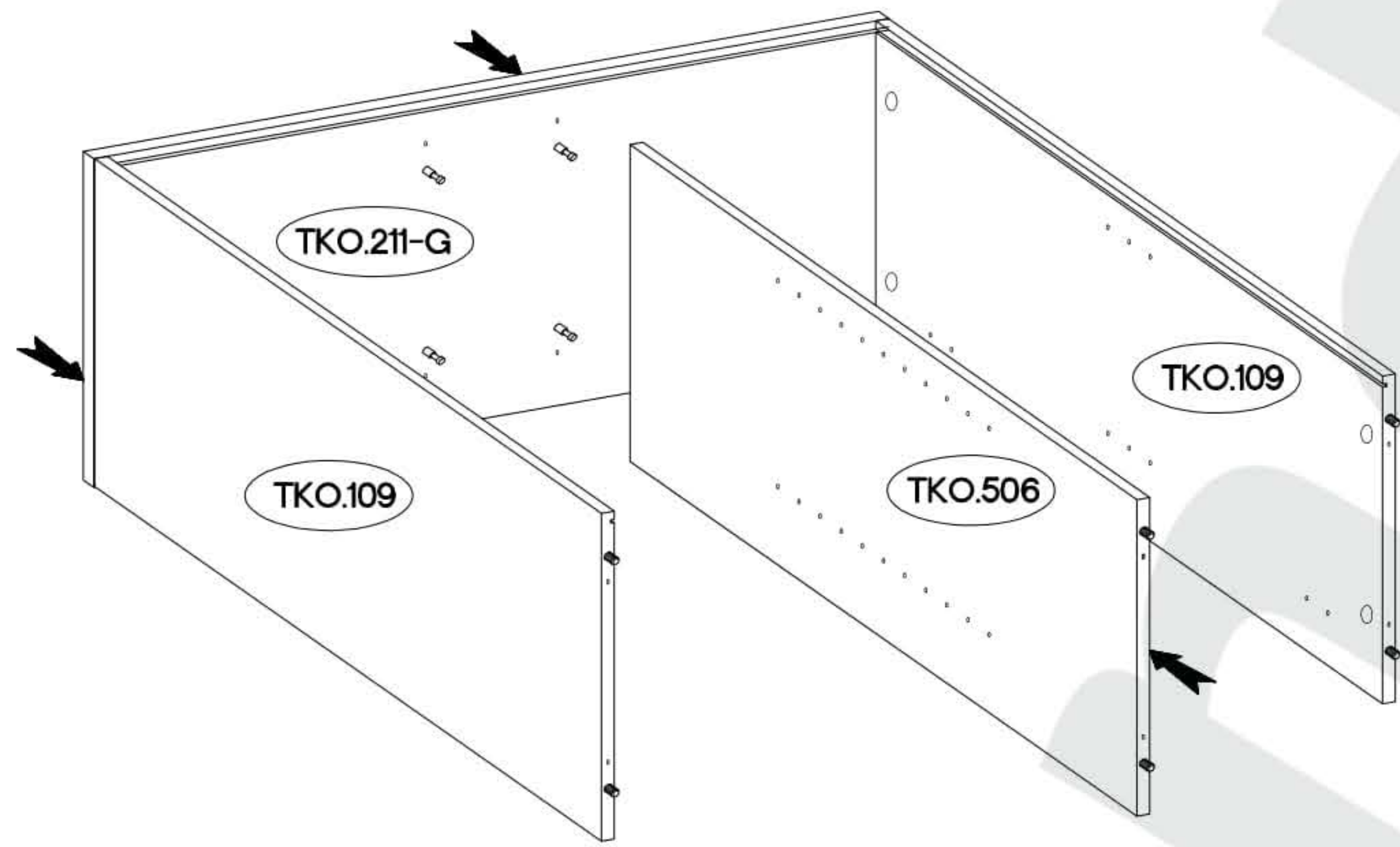
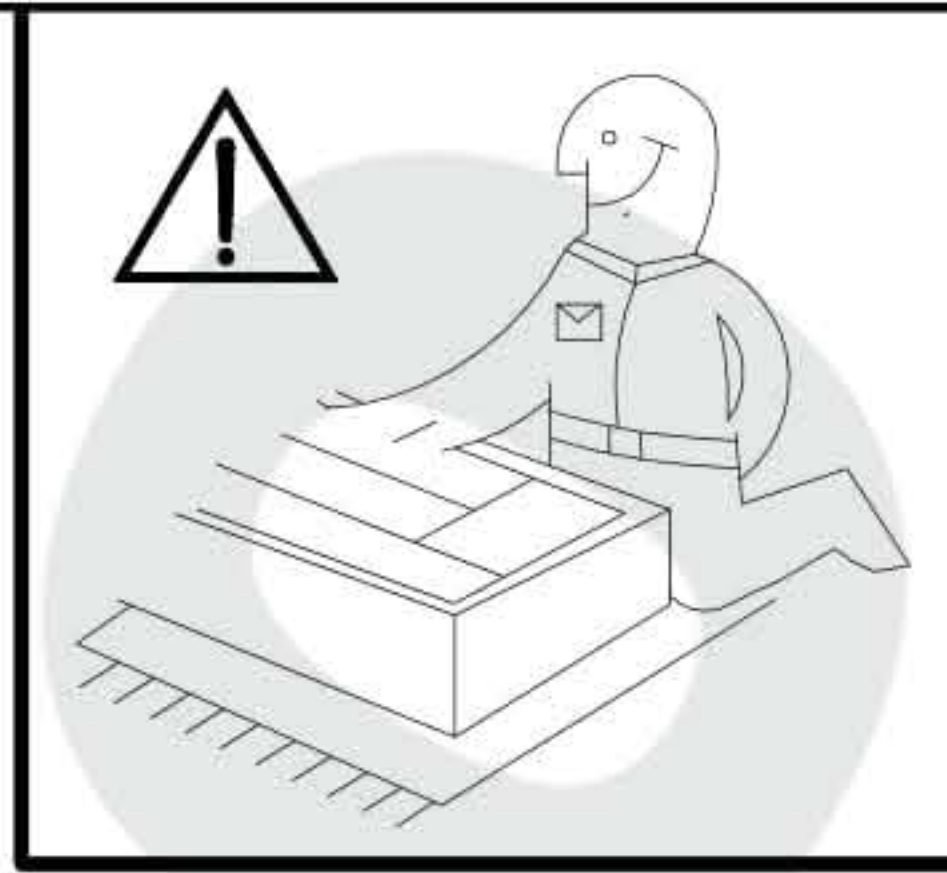


4

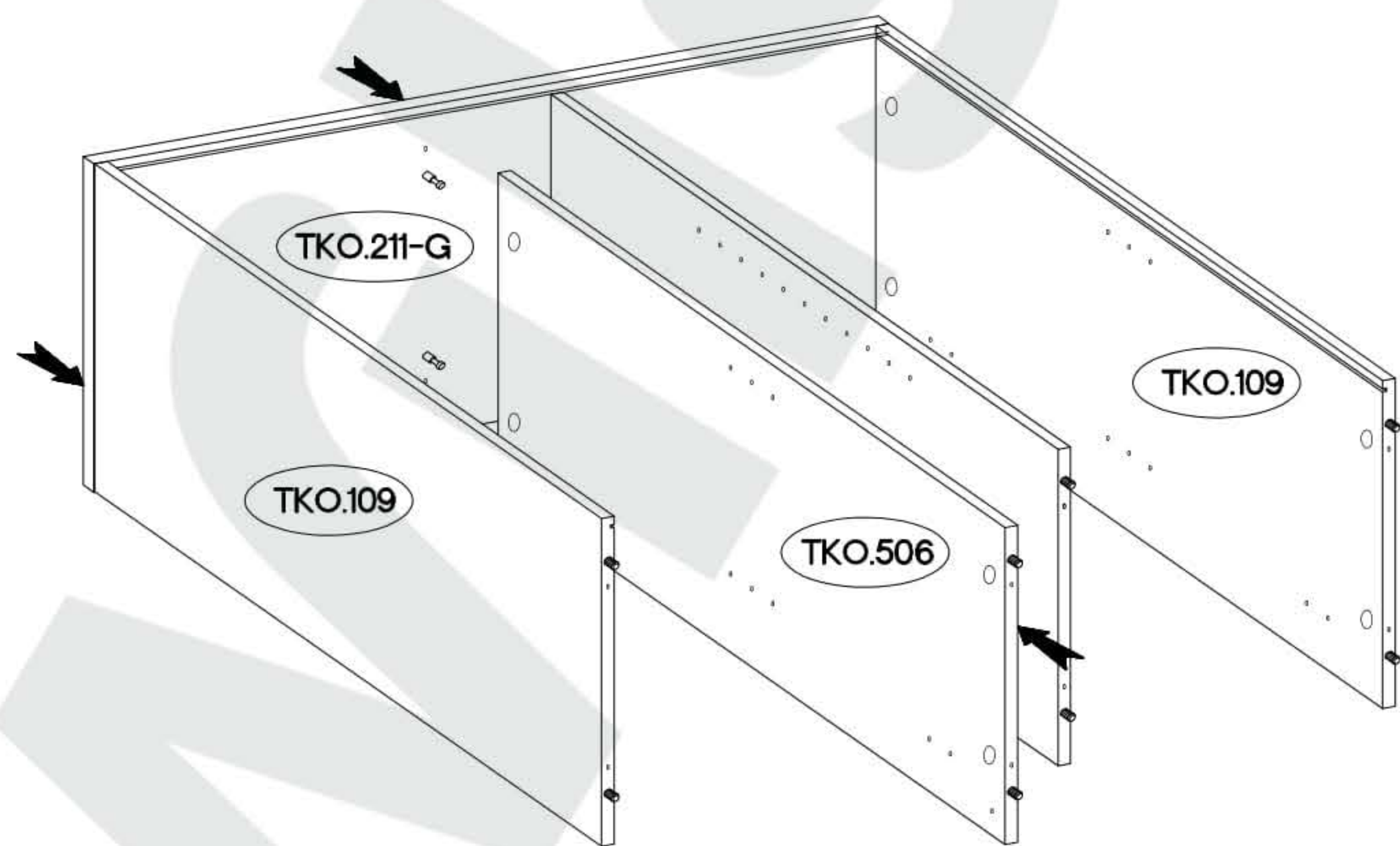




5

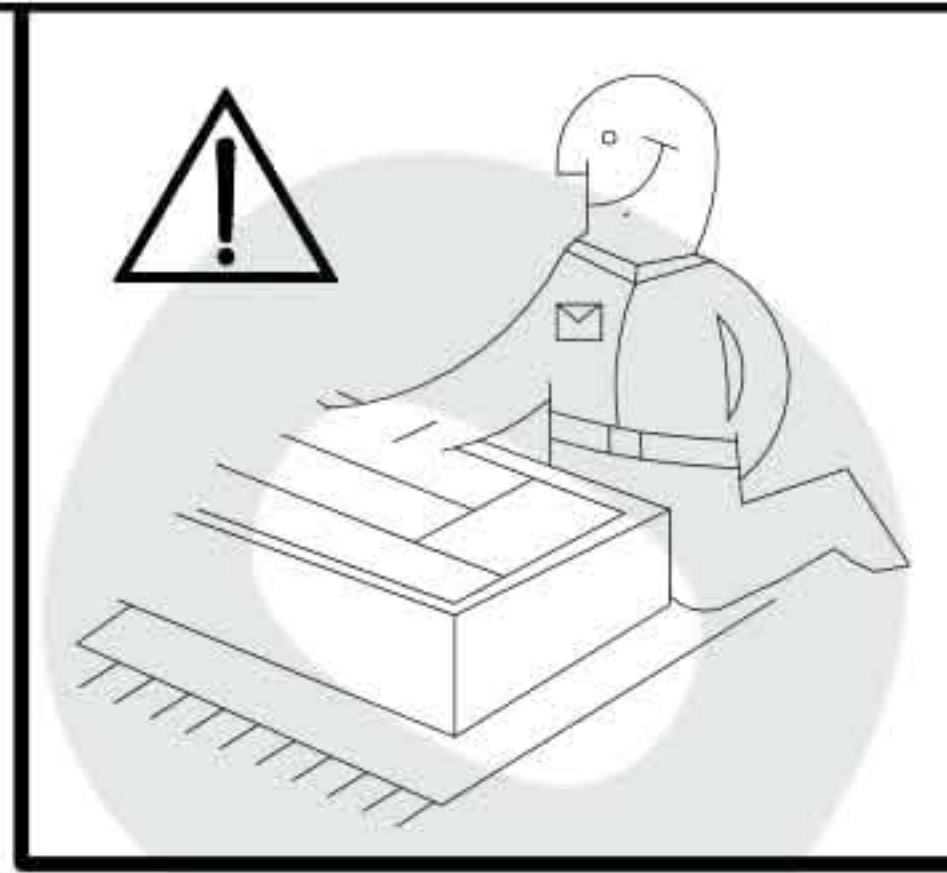
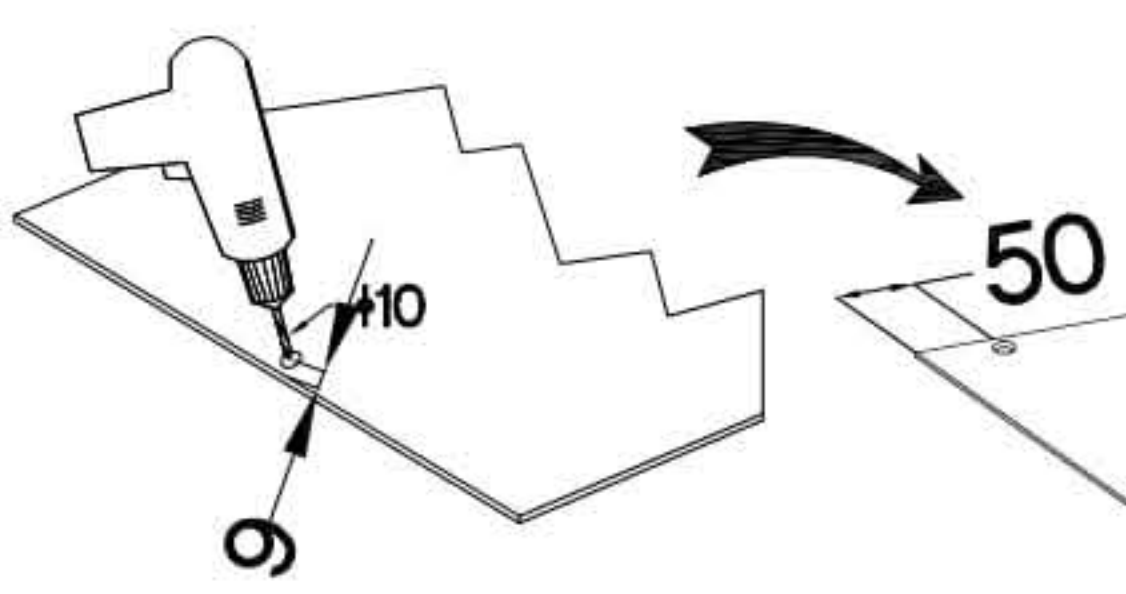


6



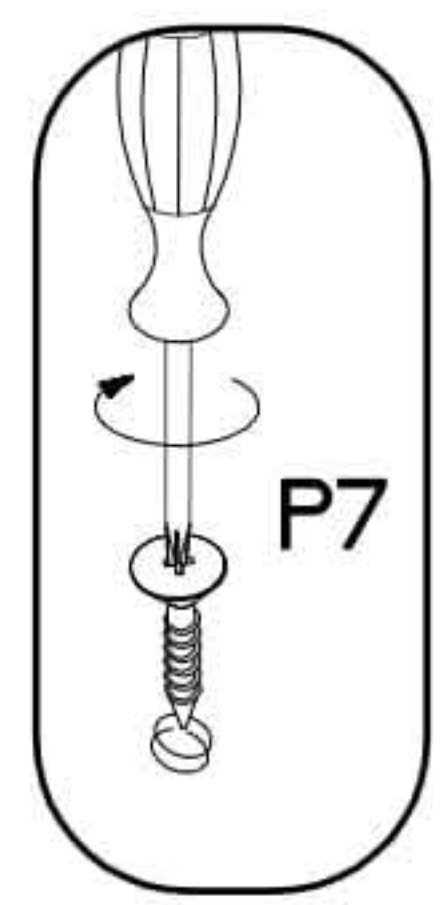
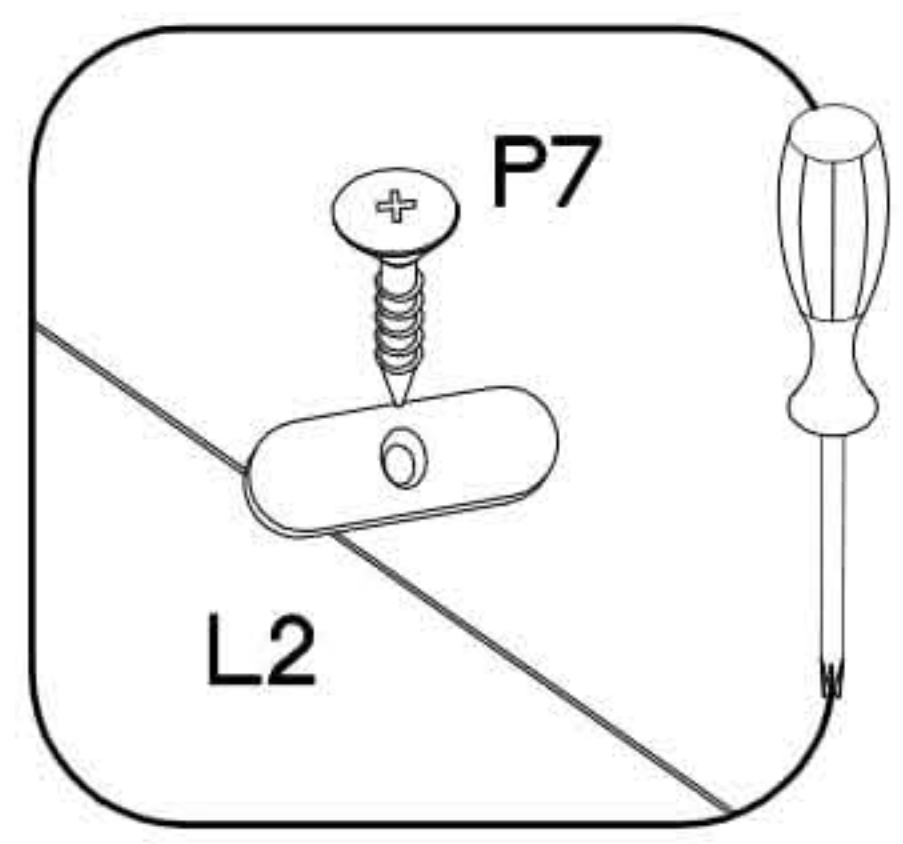
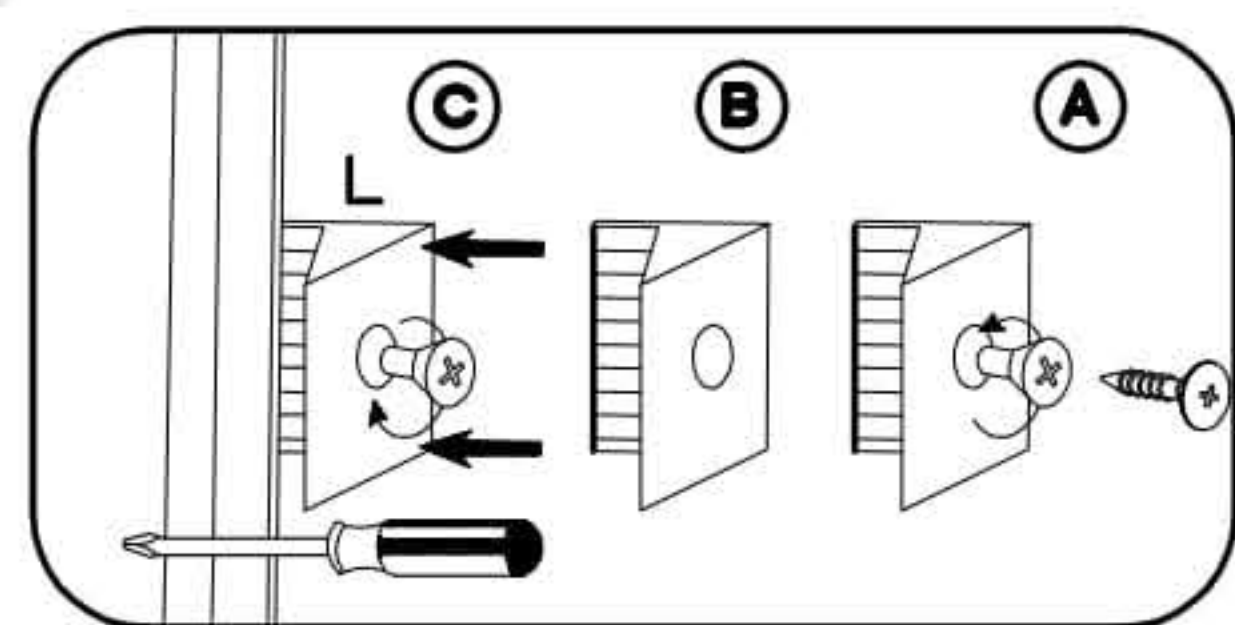
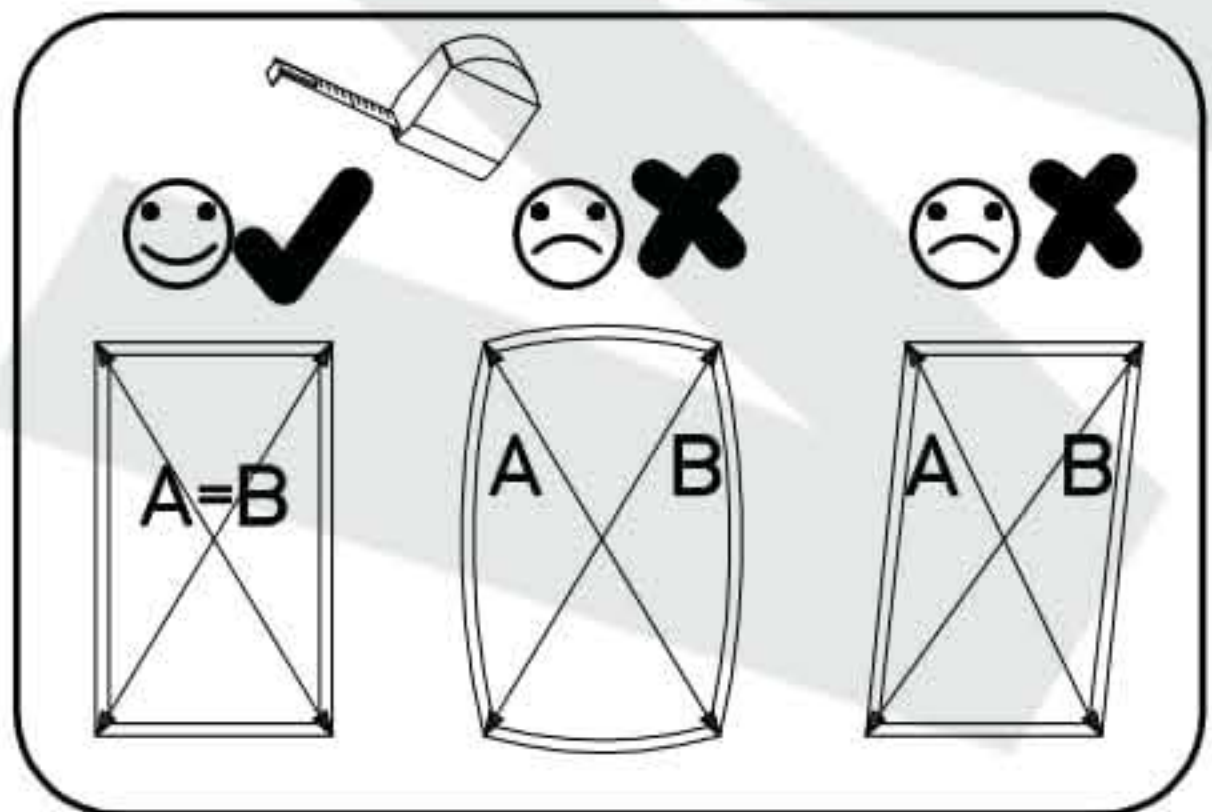
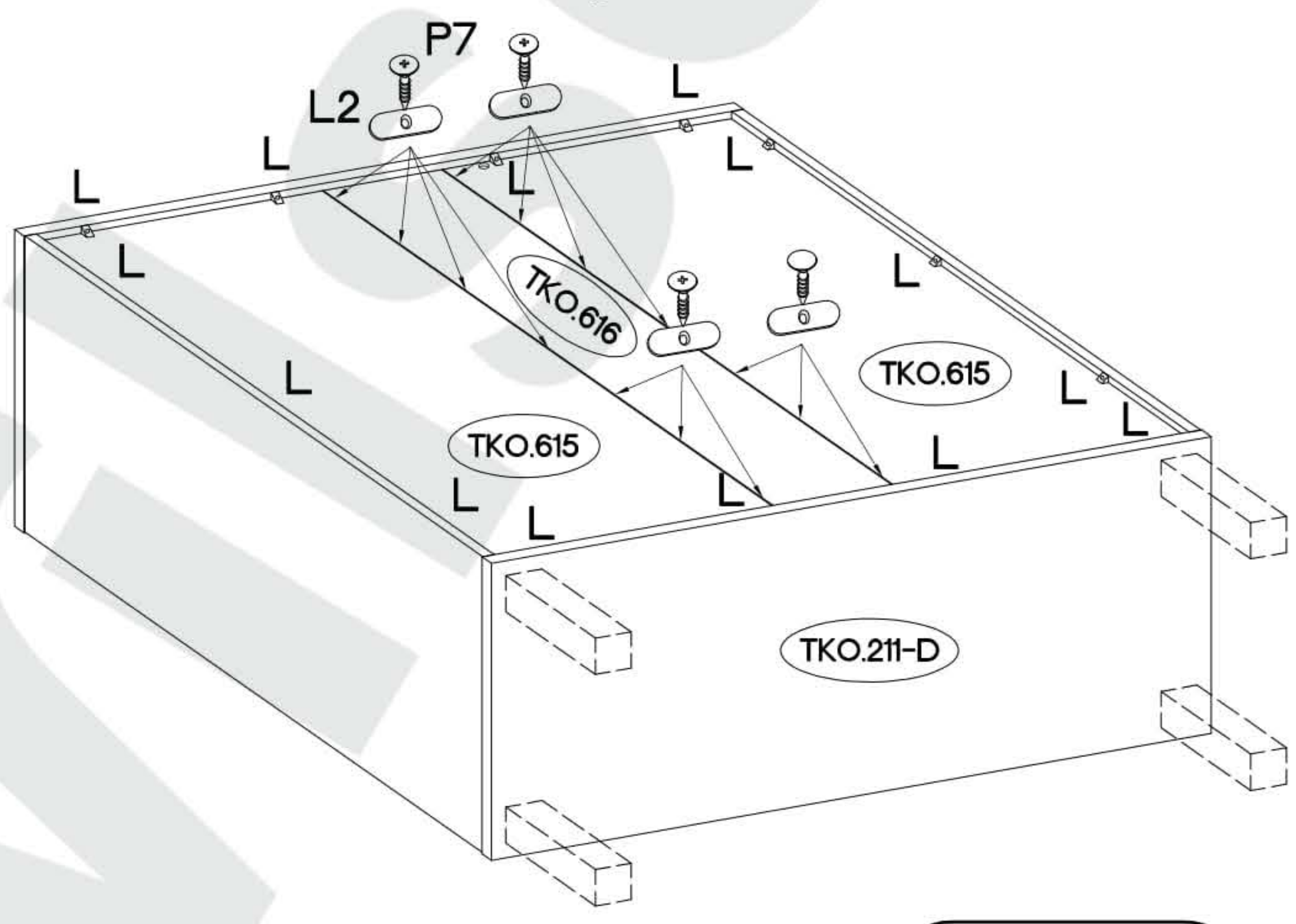
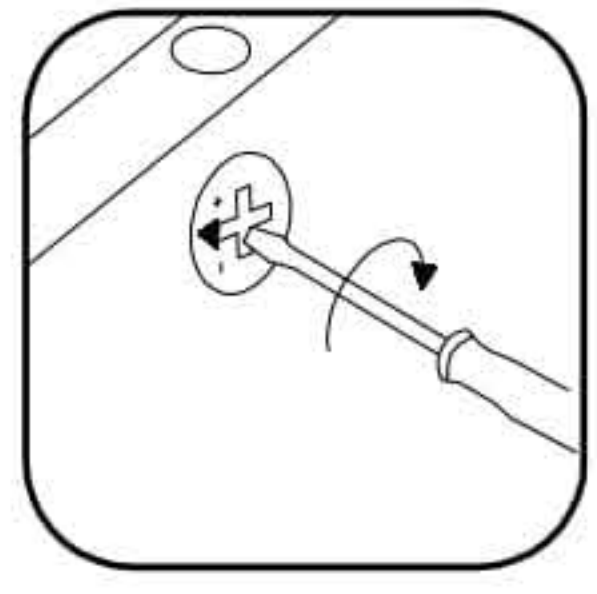
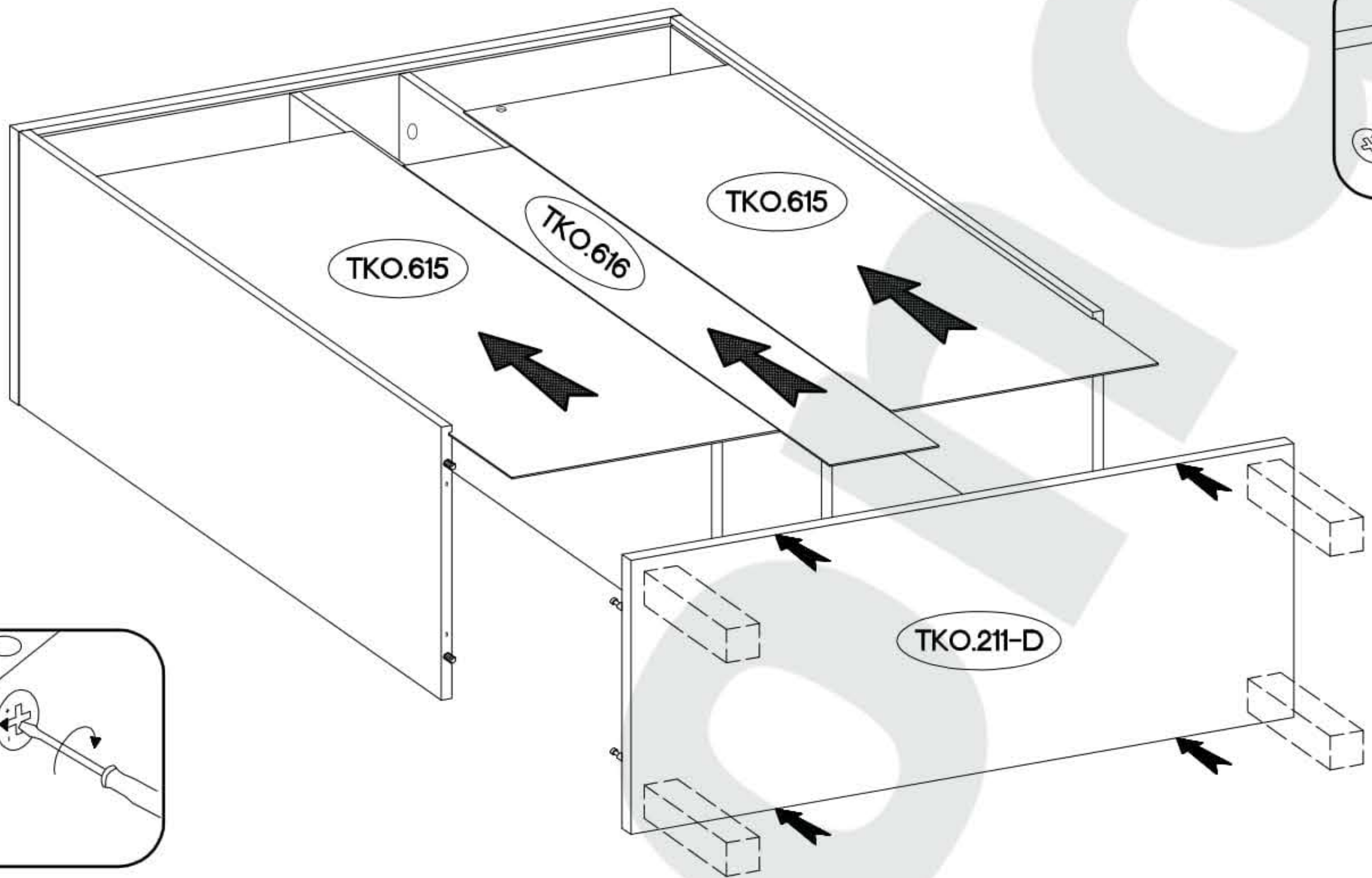


7

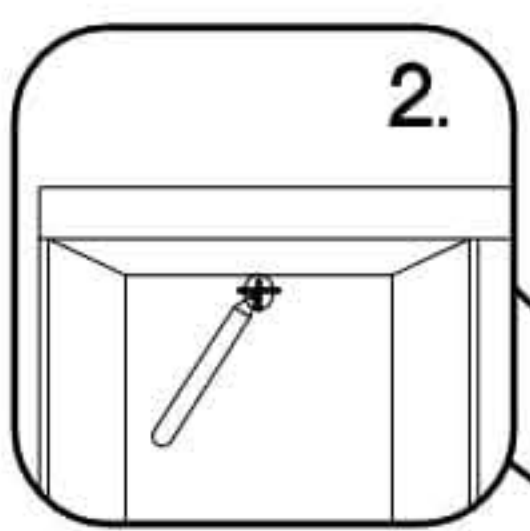





+3.0x20mm		
P7	L2	L
14	14	14

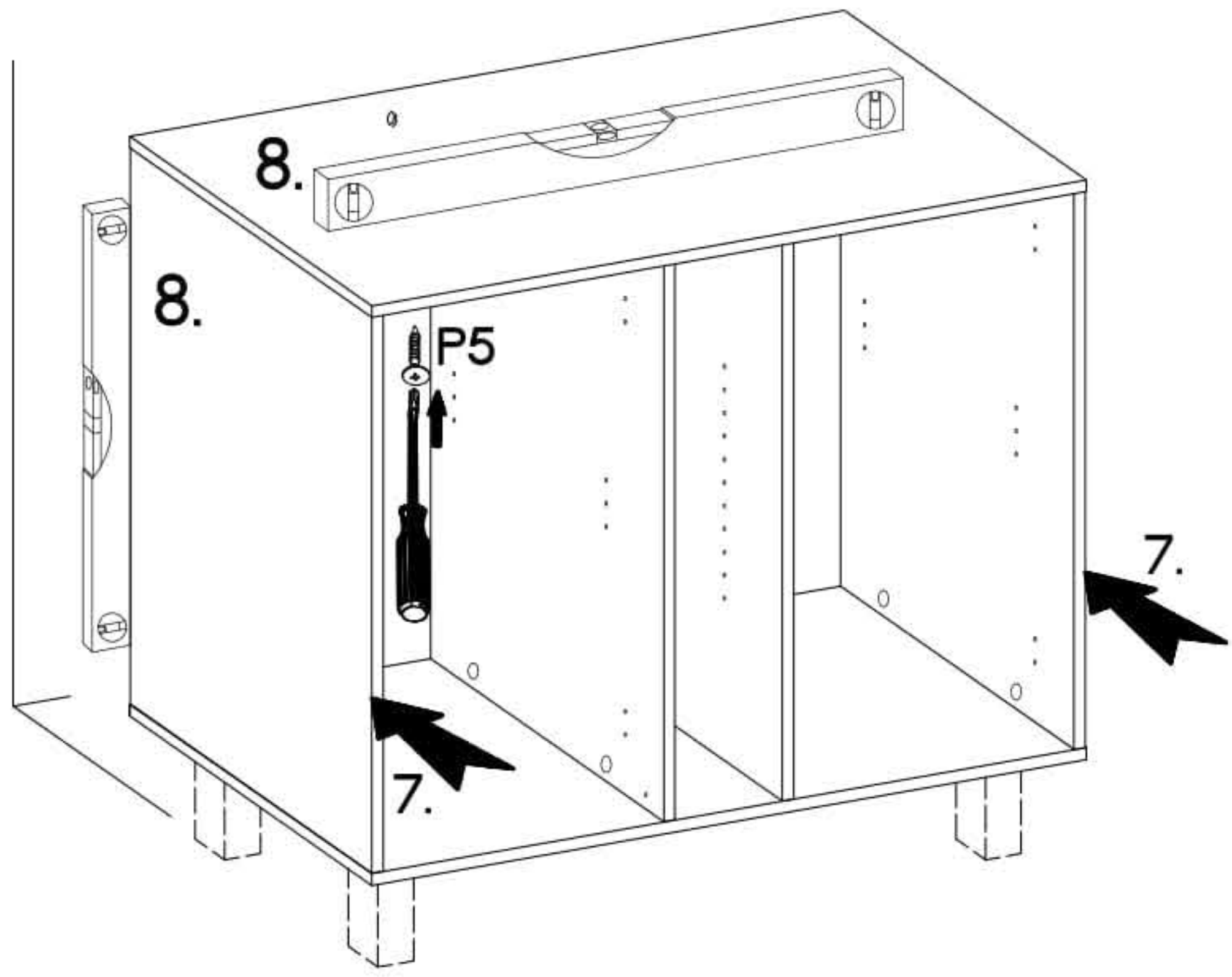
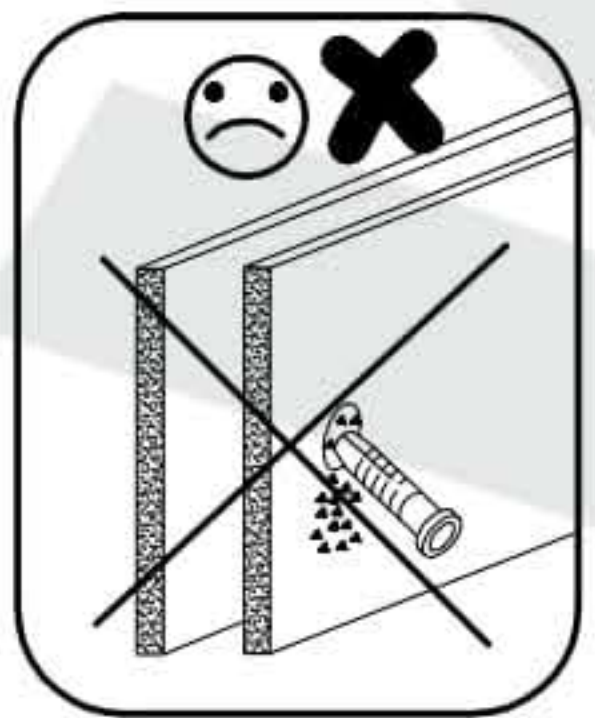
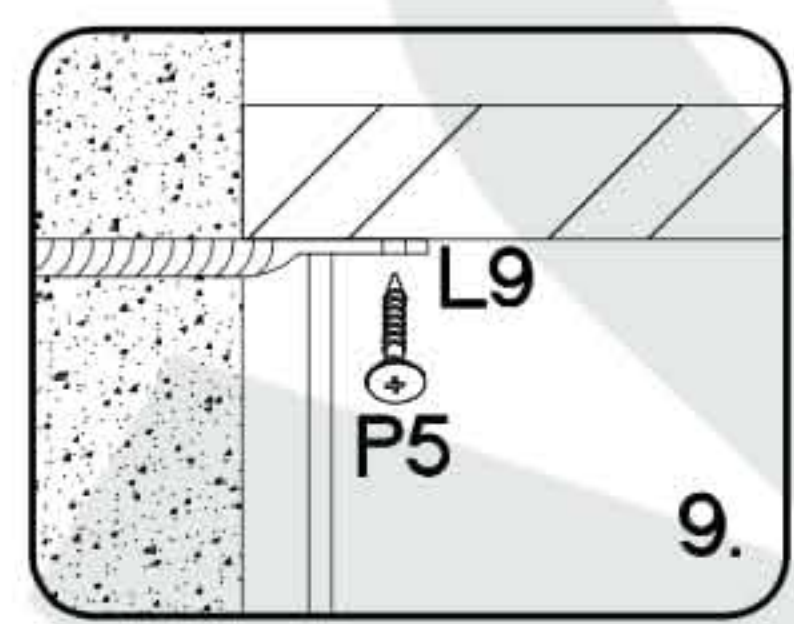
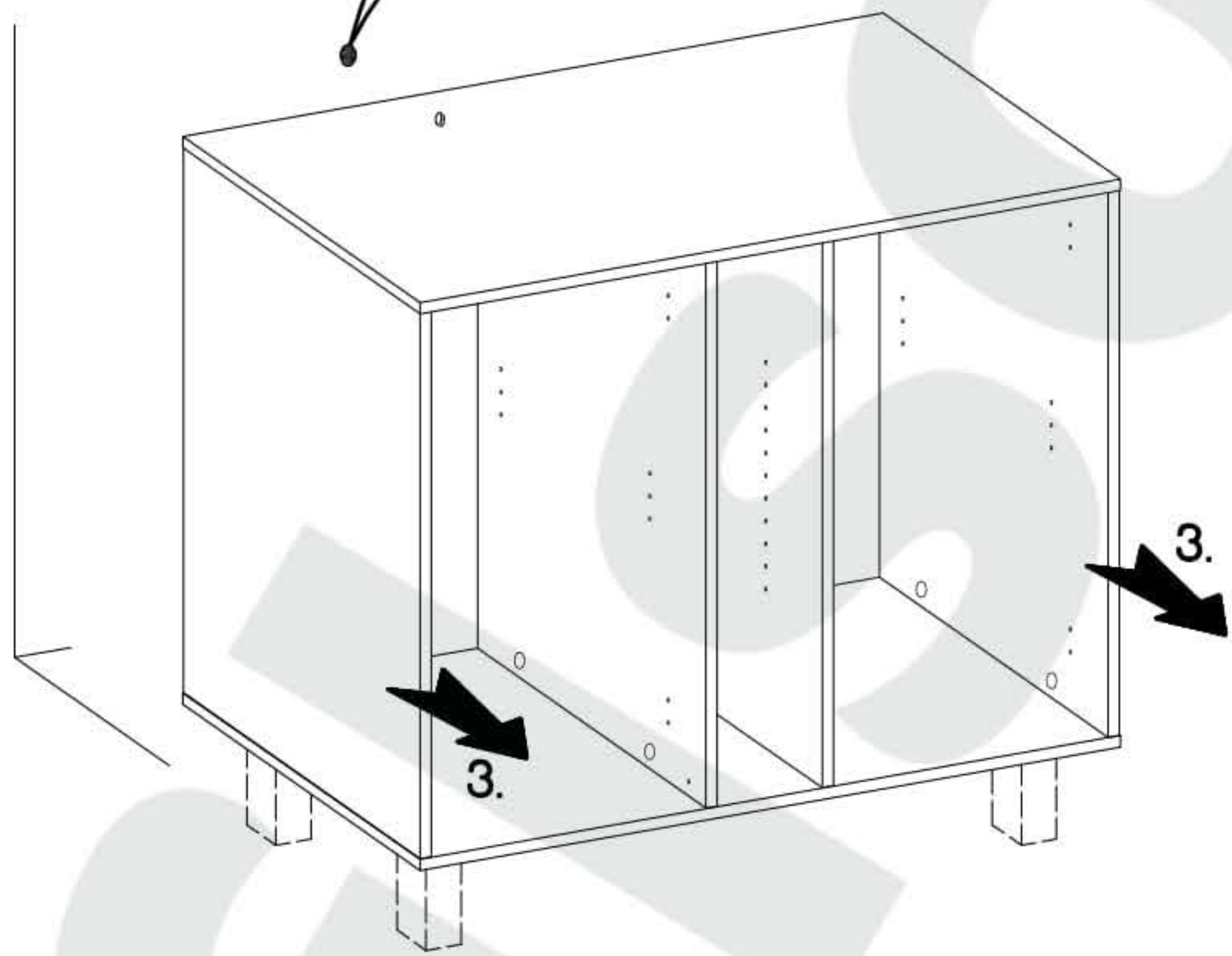
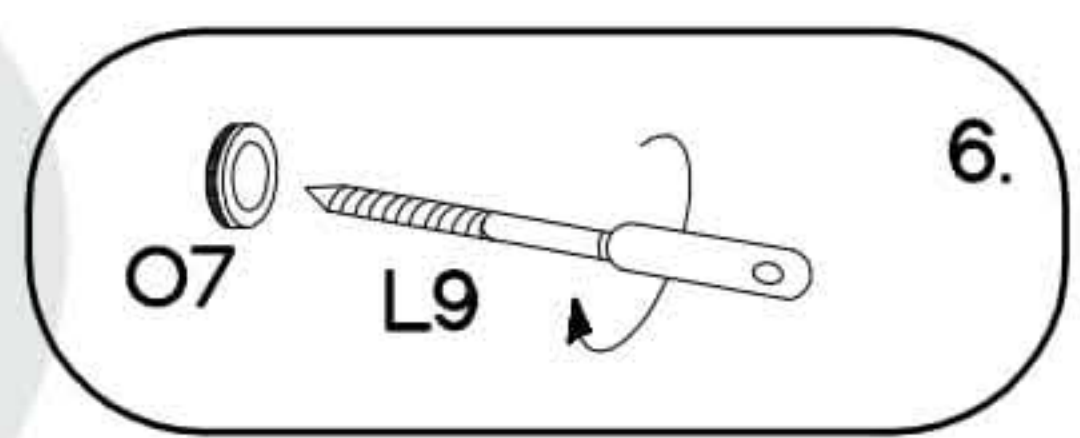
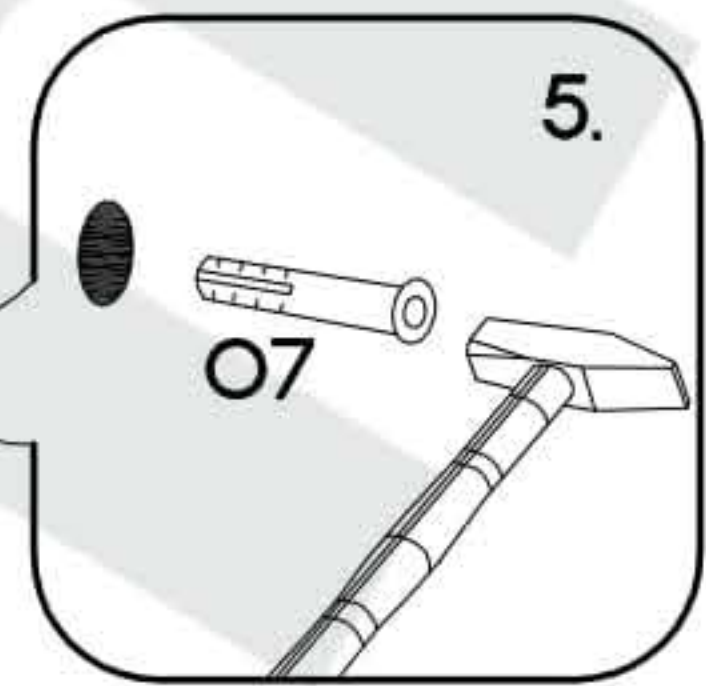
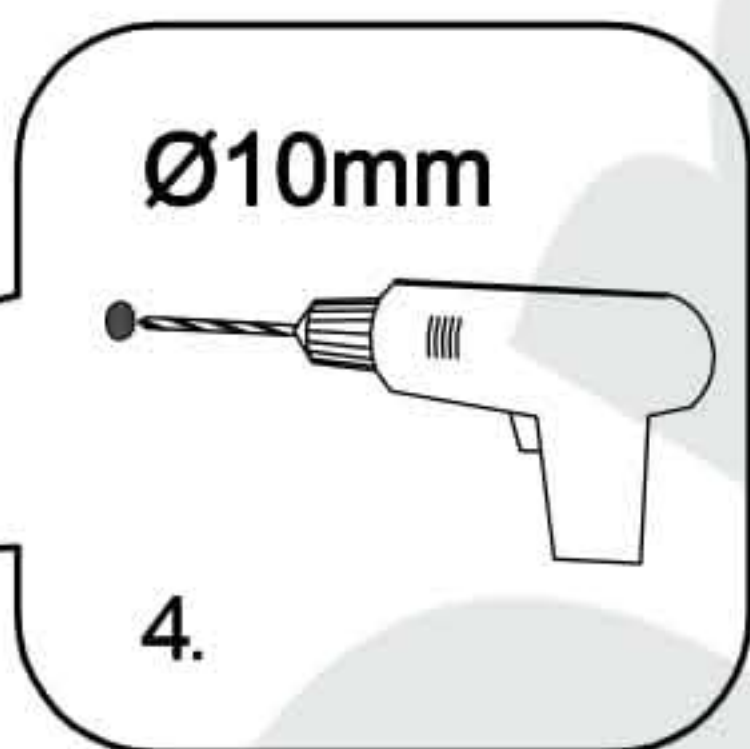
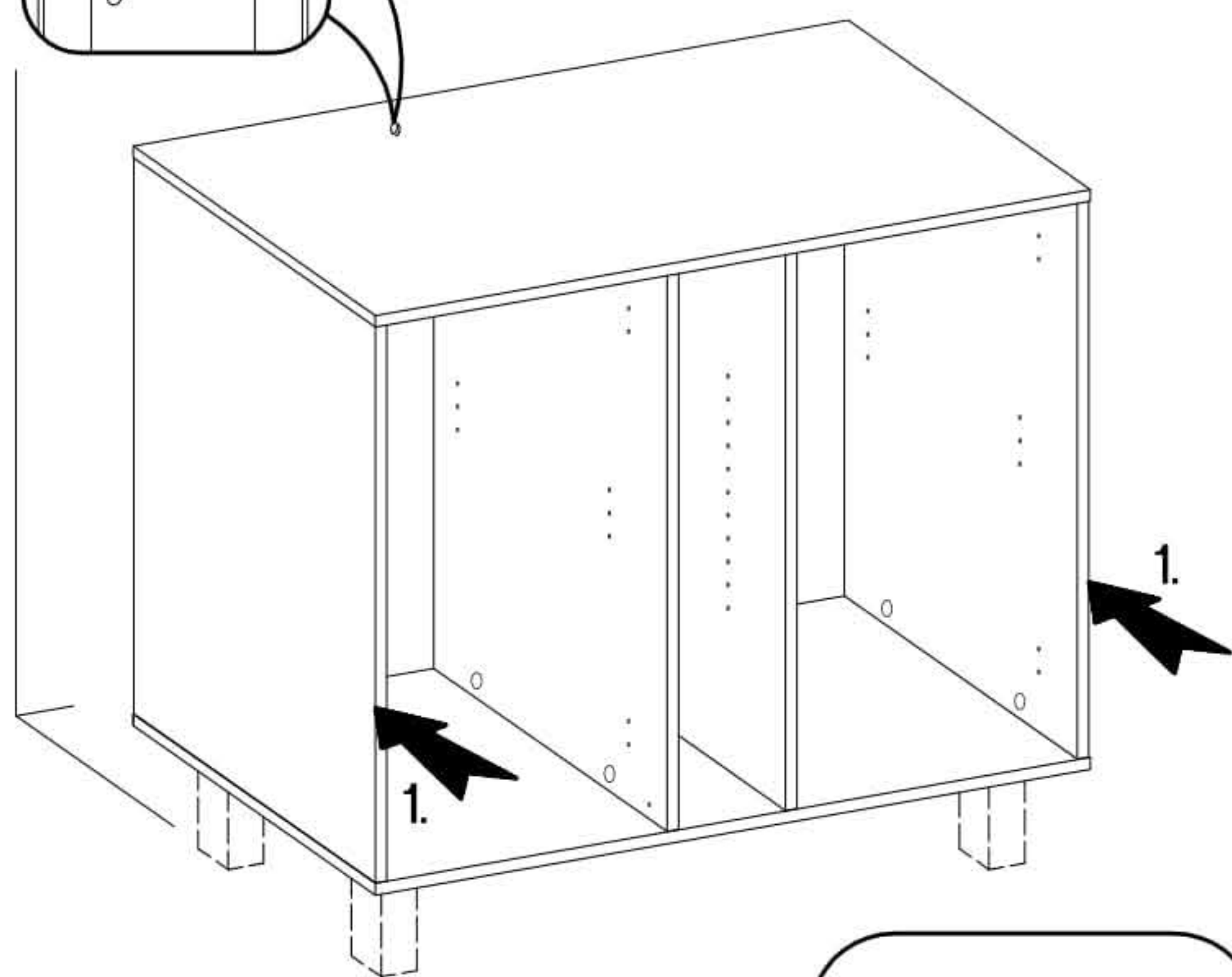
TKO.615 **x1**





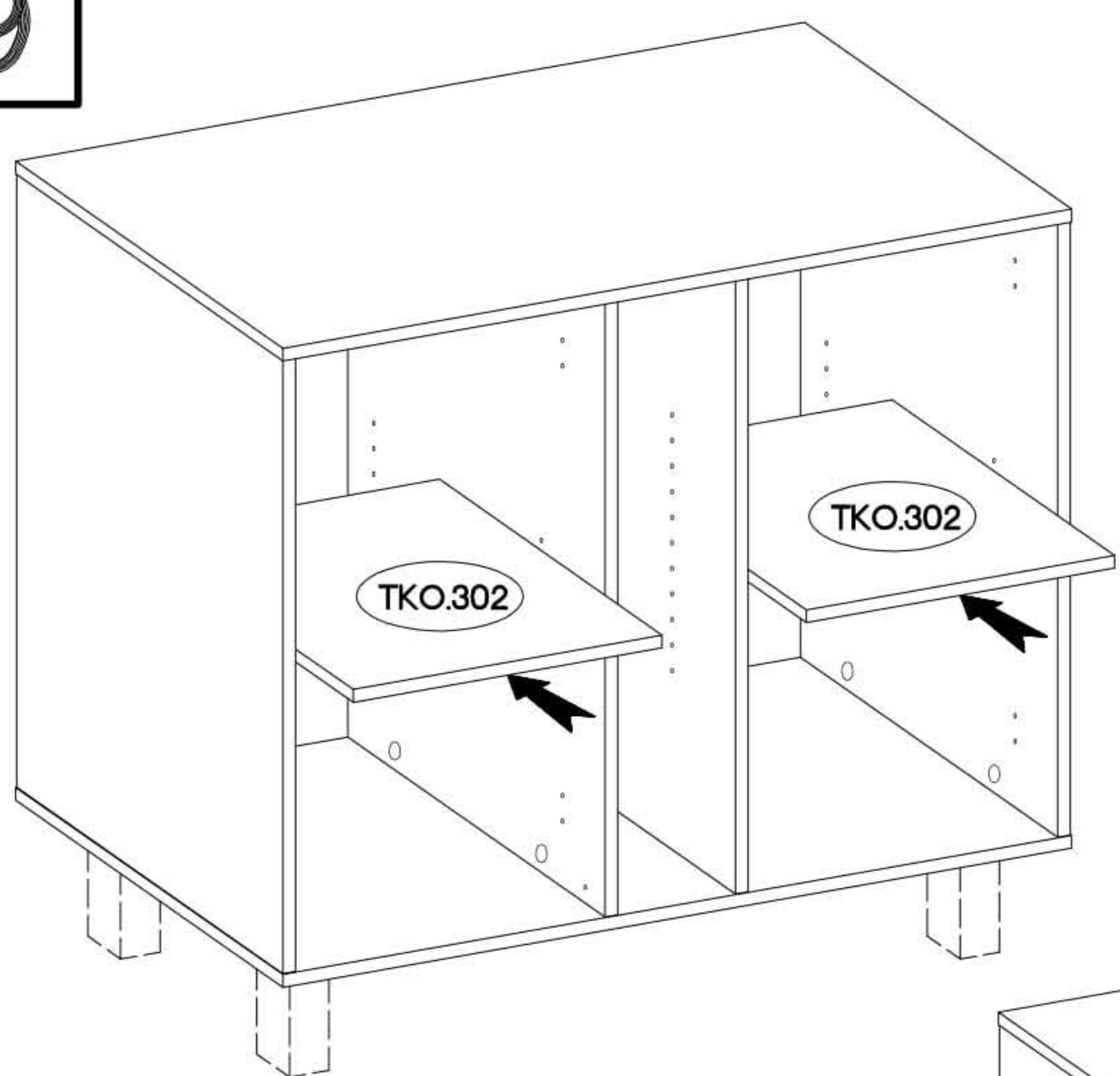


$\varnothing 10 \times 50 \text{mm}$  <b>O7</b> 1	$\varnothing 3.5 \times 13 \text{mm}$  <b>L9</b> 1	$\varnothing 3.5 \times 13 \text{mm}$  <b>P5</b> 1
---	--	--

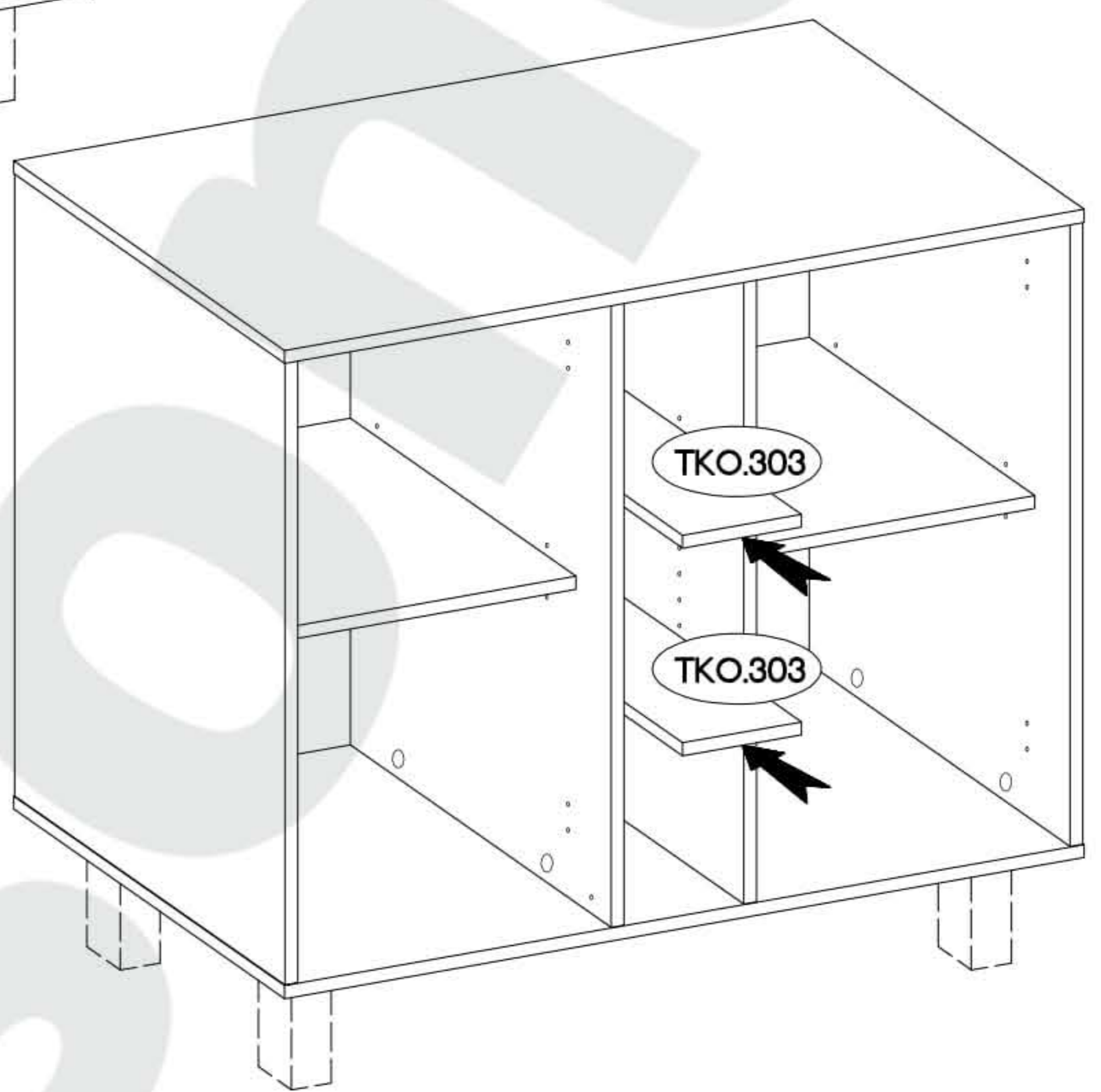
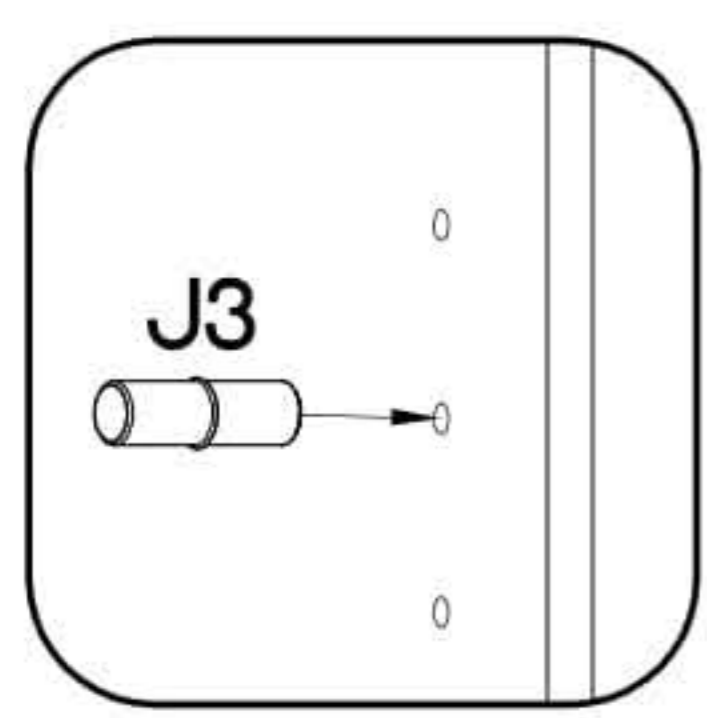
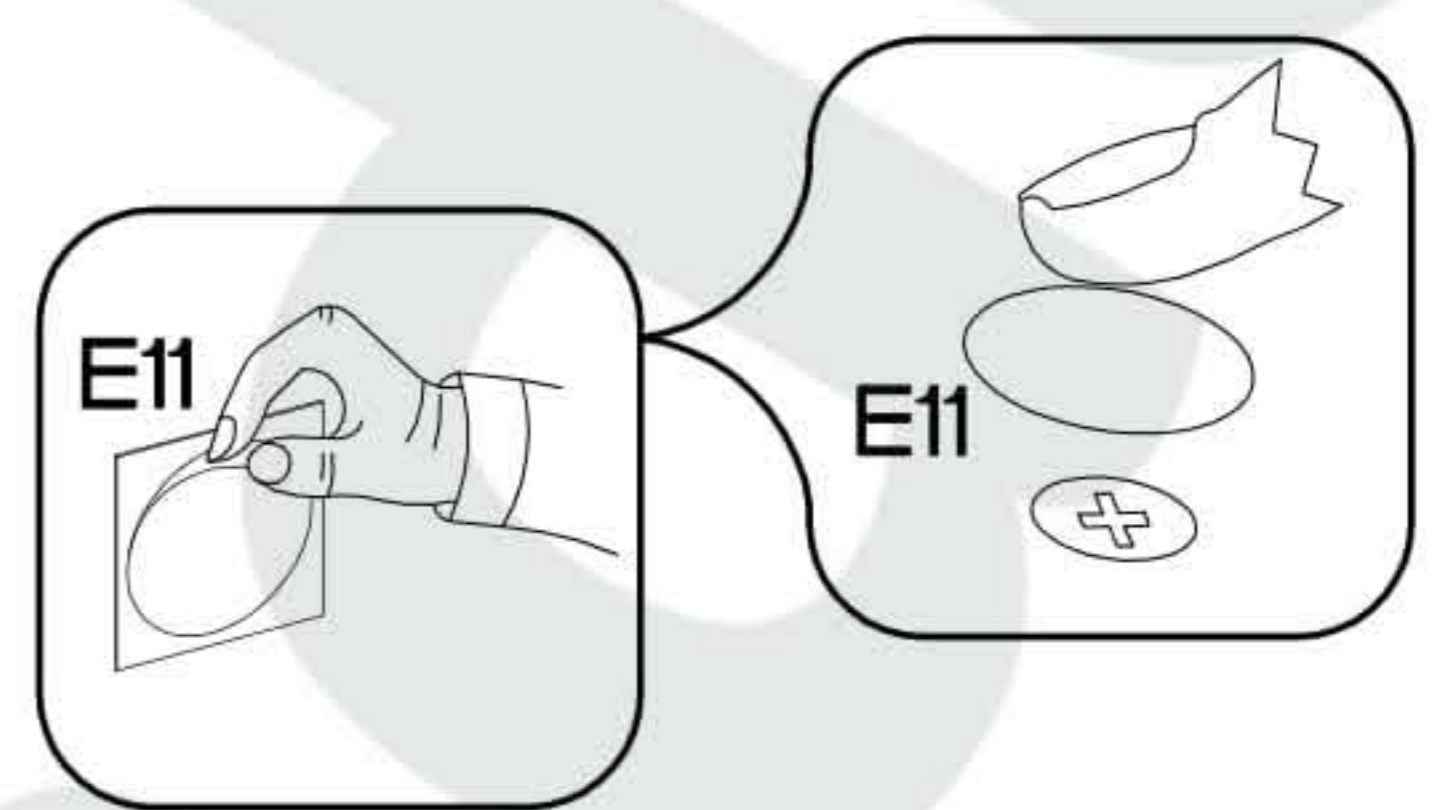




9

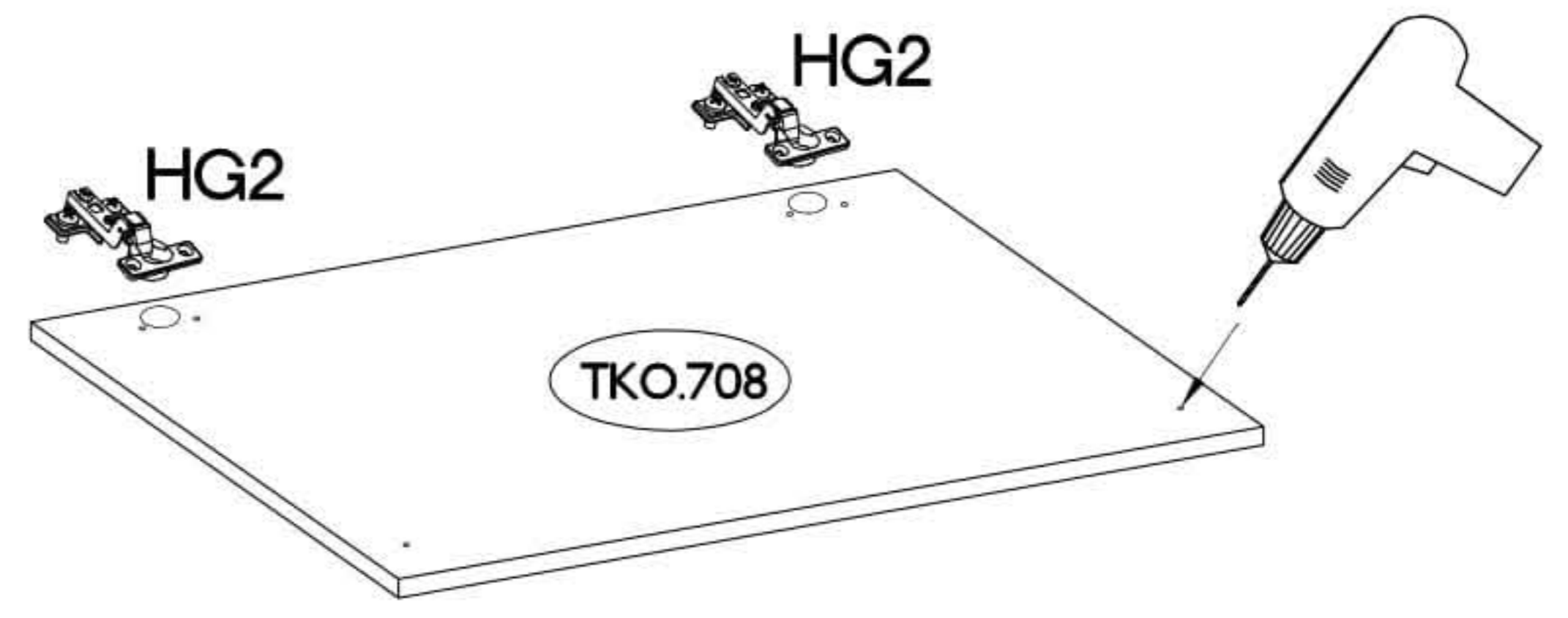
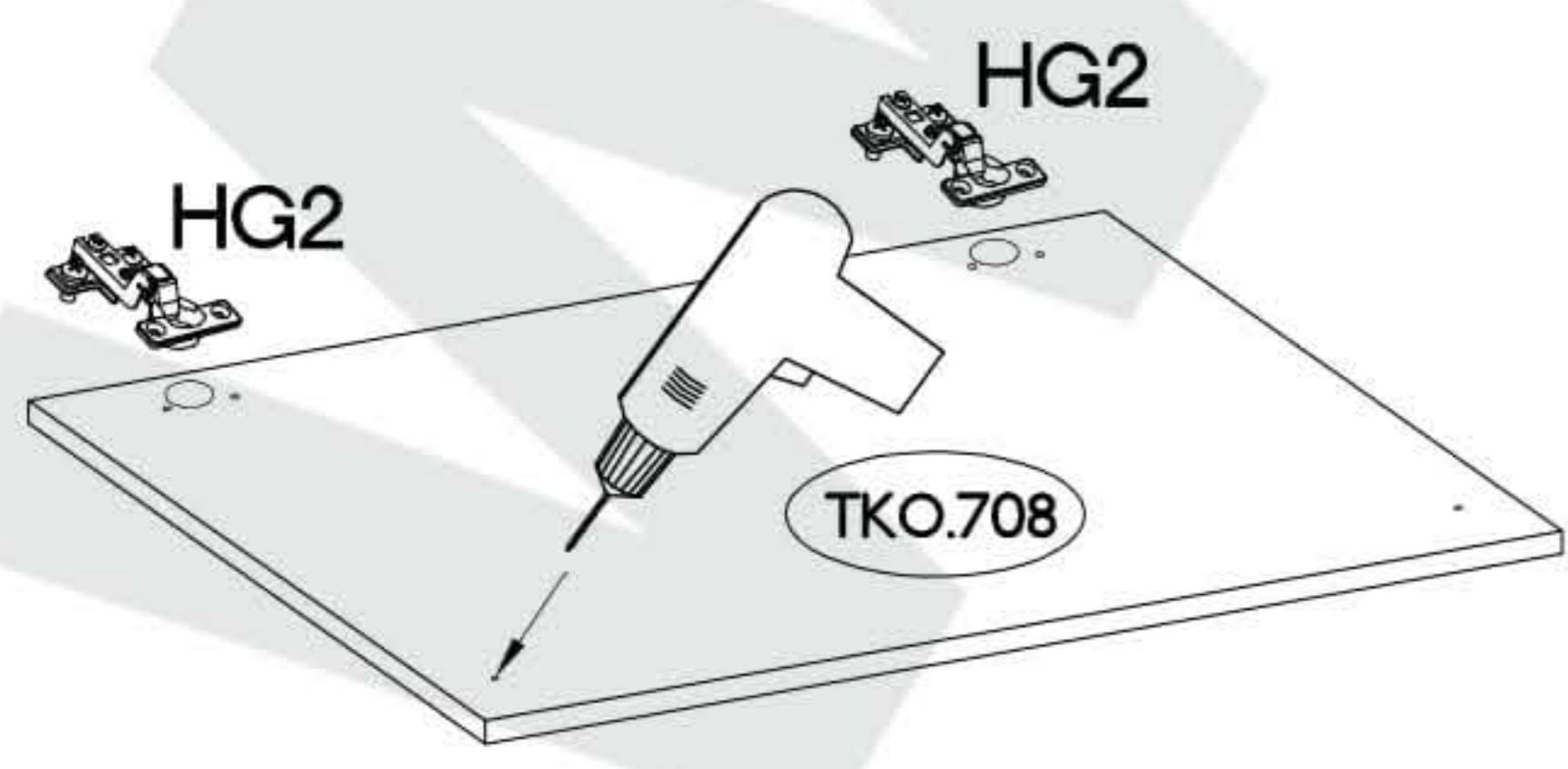
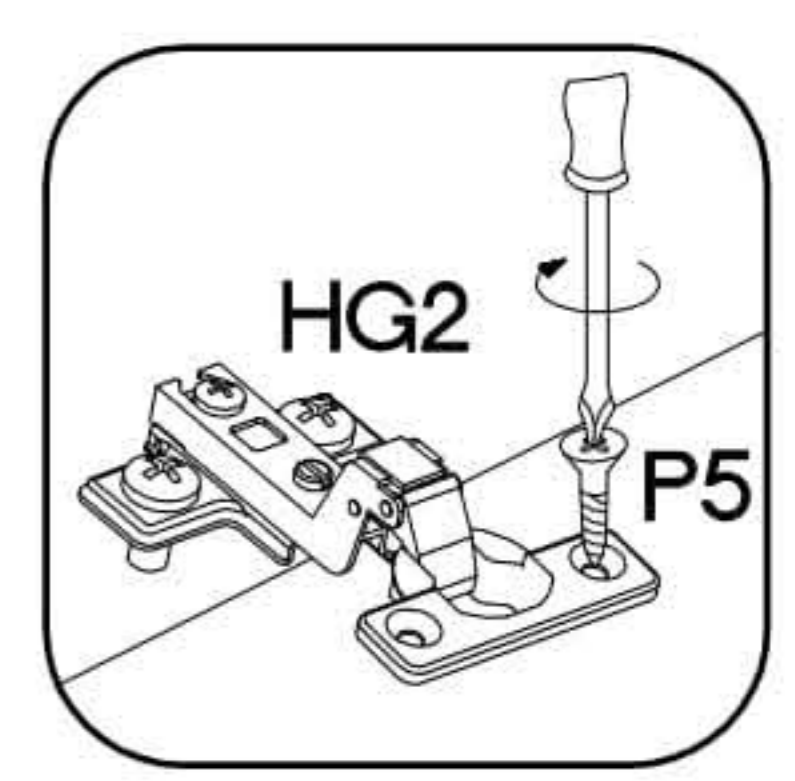
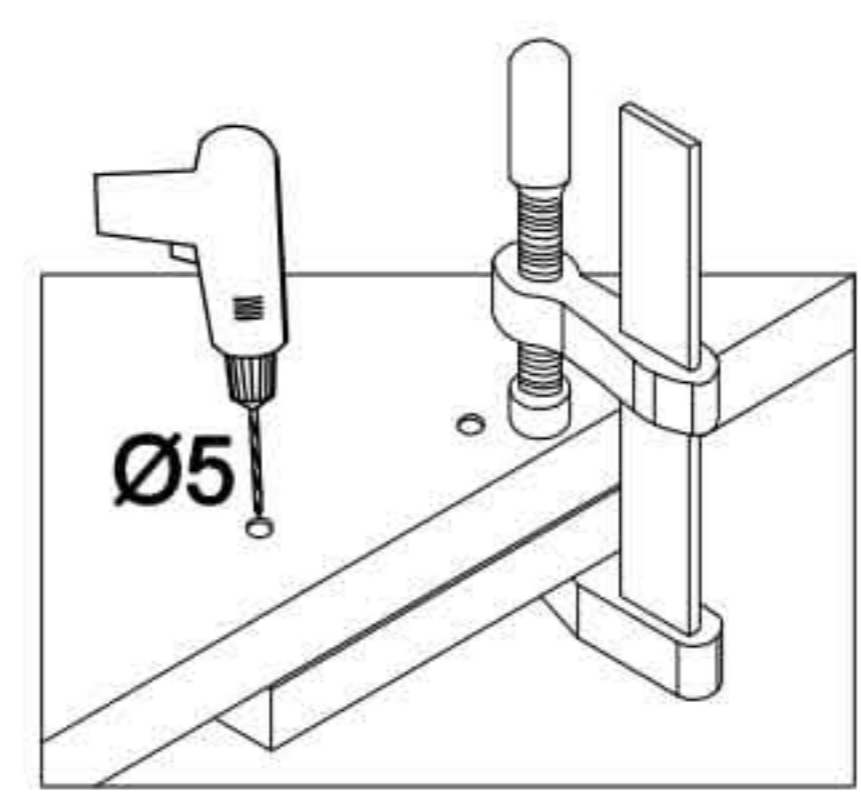


$\pm 5/16\text{mm}$  <b>J3</b> 16	$\pm 20$  <b>E11</b> 16
--	----------------------------------

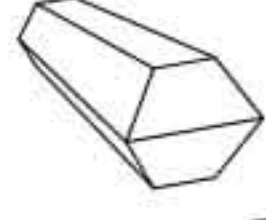




10

$\pm 35/16\text{mm}$  <b>HG2</b> 4	$\pm 3.5 \times 13\text{mm}$  <b>P5</b> 8
---	--





 S	M4x22mm  U	 J12
2	2	2

