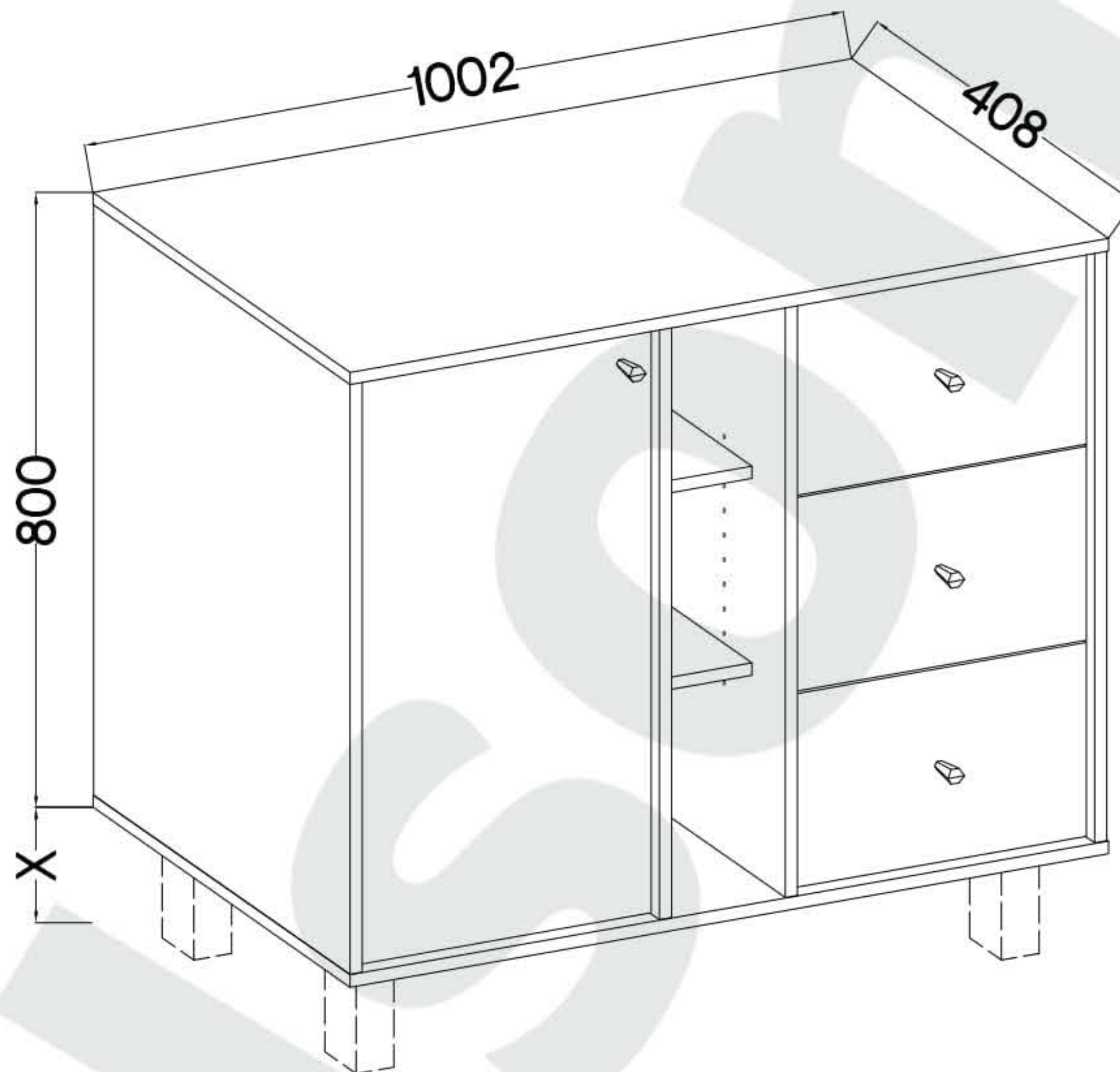
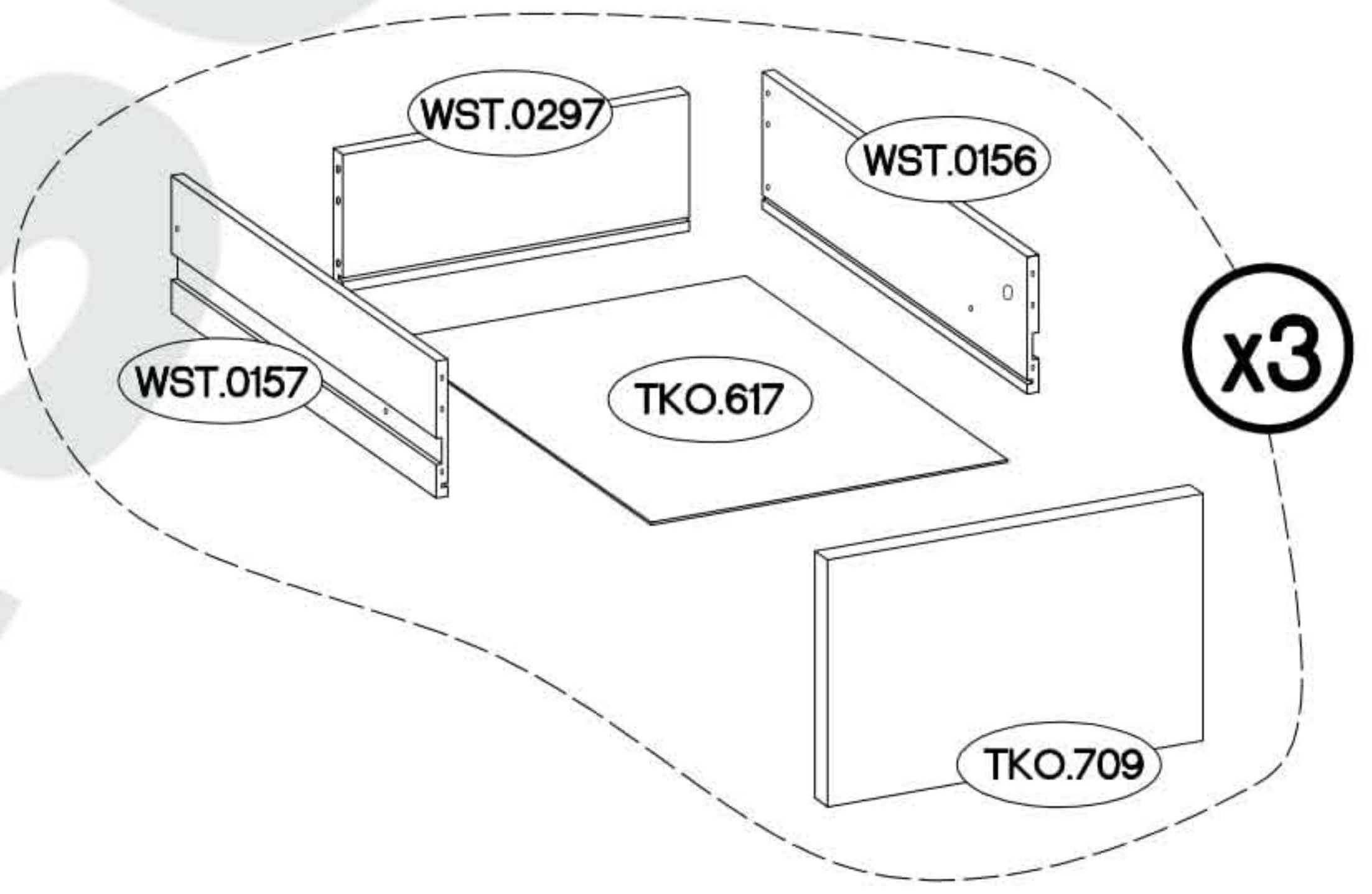
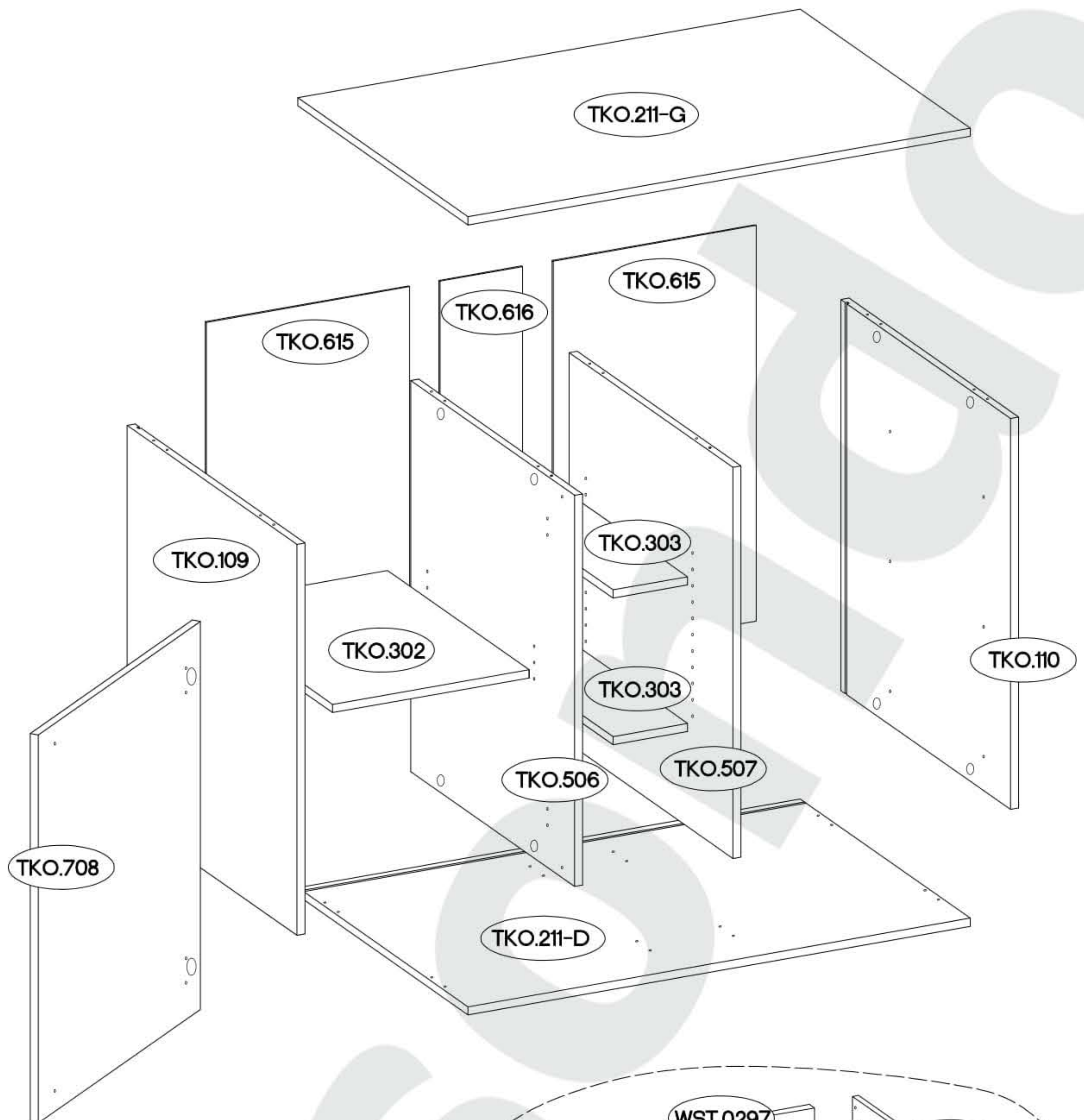


TYP 824

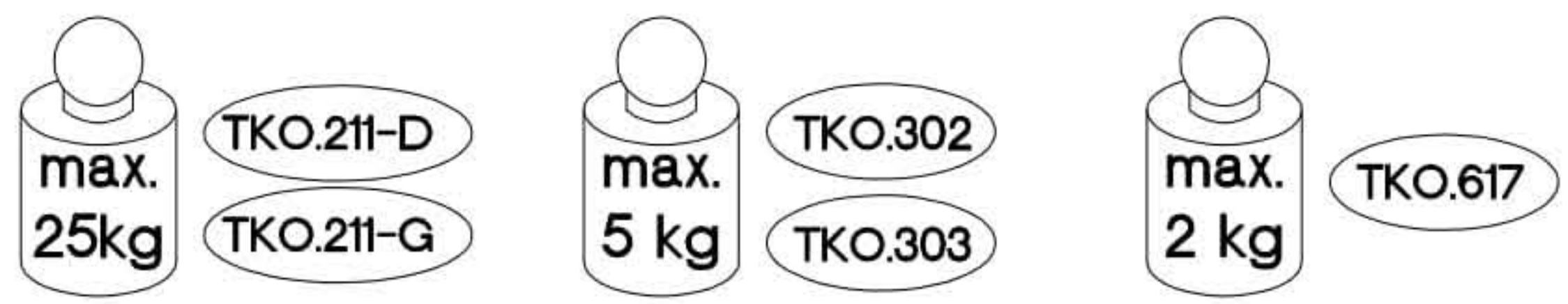
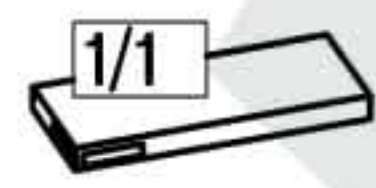


†8x30mm A 40	†6x42mm B2 6	†15/12mm C 16	†12/10mm C5 6	L=20mm D2 22	†20 E11 8	†35/16mm HG2 2	27/310mm I4 3	†5/16mm J3 12		
 J12 1	 L 20	 L2 14	 L9 1	†6,3x13mm M2 12	†10x50mm O7 1	†3,5x13mm P5 5	†3,0x20mm P7 14	 S 4	M4x22mm U 4	M4x9mm U1 6


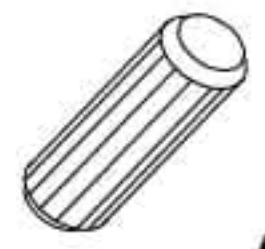
ISM-TKO-009

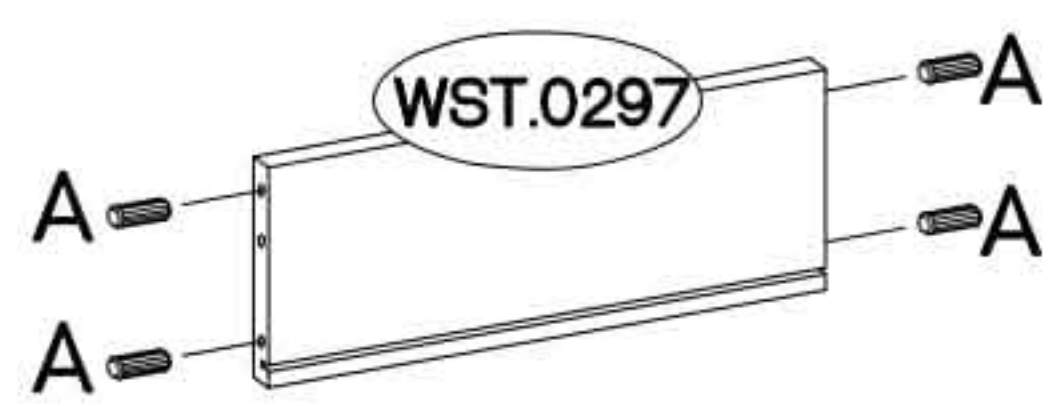


Ersatzteil Nummer	Dimension
TKO.109	768x407x16
TKO.110	768x407x16
TKO.506	768x393x16
TKO.507	768x393x16
TKO.211 x2	1002x408x16
TKO.302	392x340x16
TKO.303 x2	149x340x16
TKO.615 x2	777x405x2,5
TKO.616	777x165x2,5
TKO.617 x3	370x327x2,5
WST.0156 x3	330x140x12
WST.0157 x3	330x140x12
WST.0297 x3	359x140x12
TKO.709 x3	389x252x16
TKO.708	762x389x16

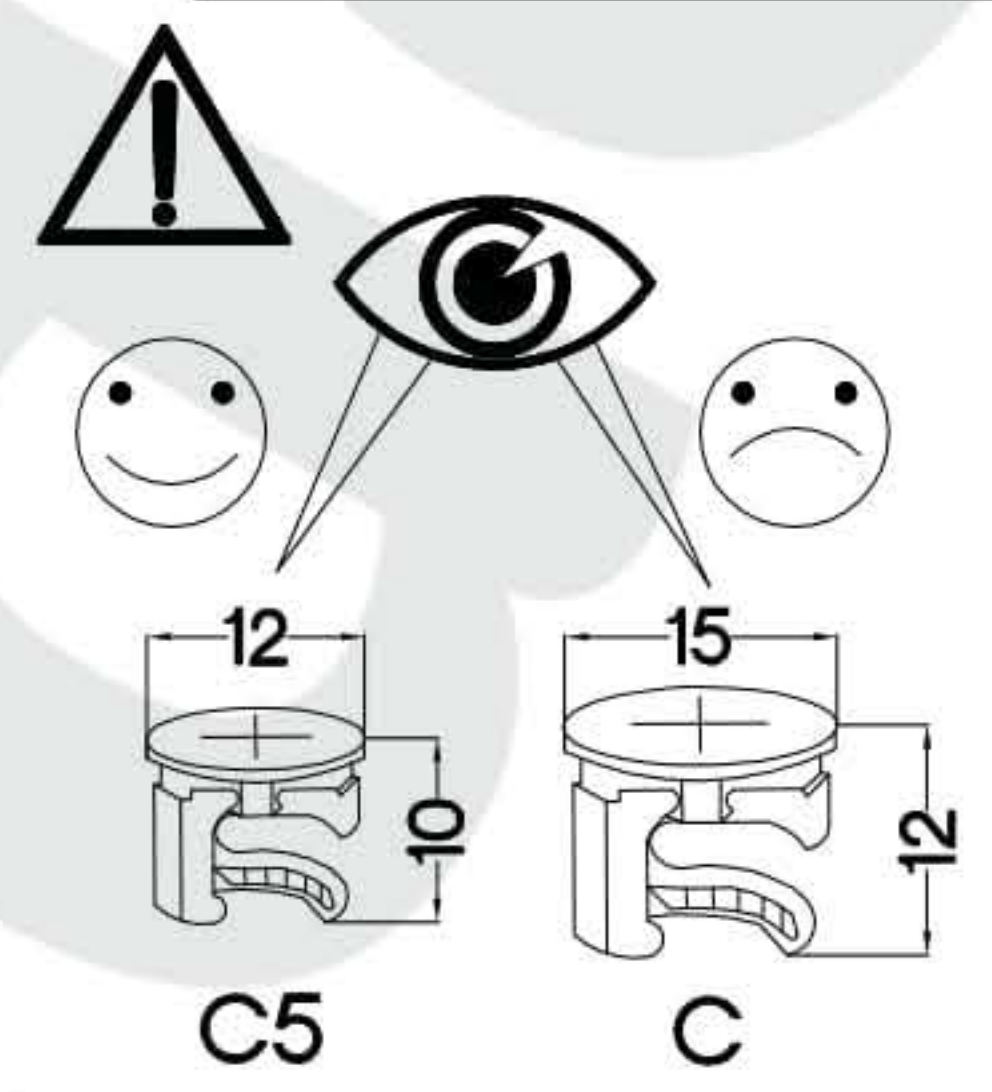
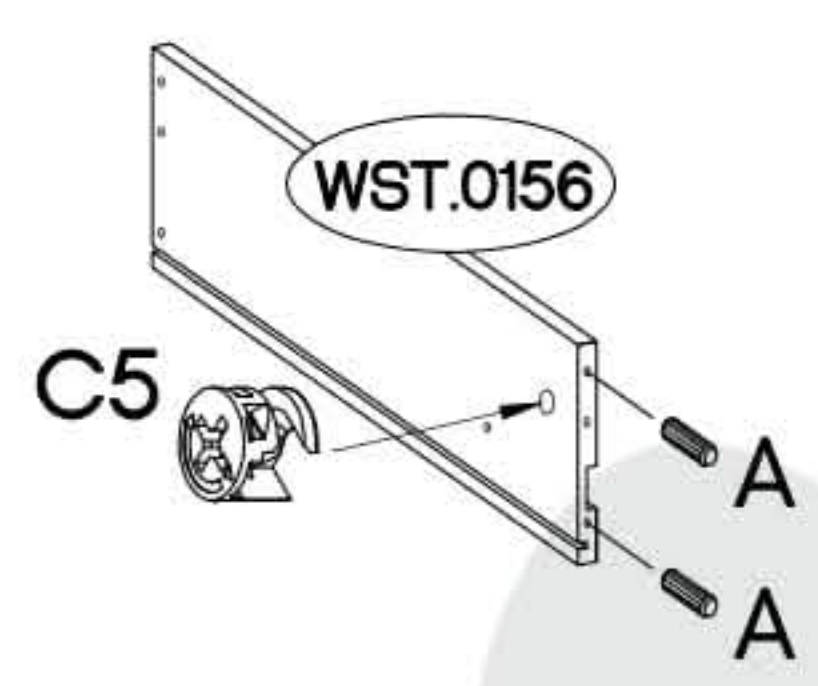
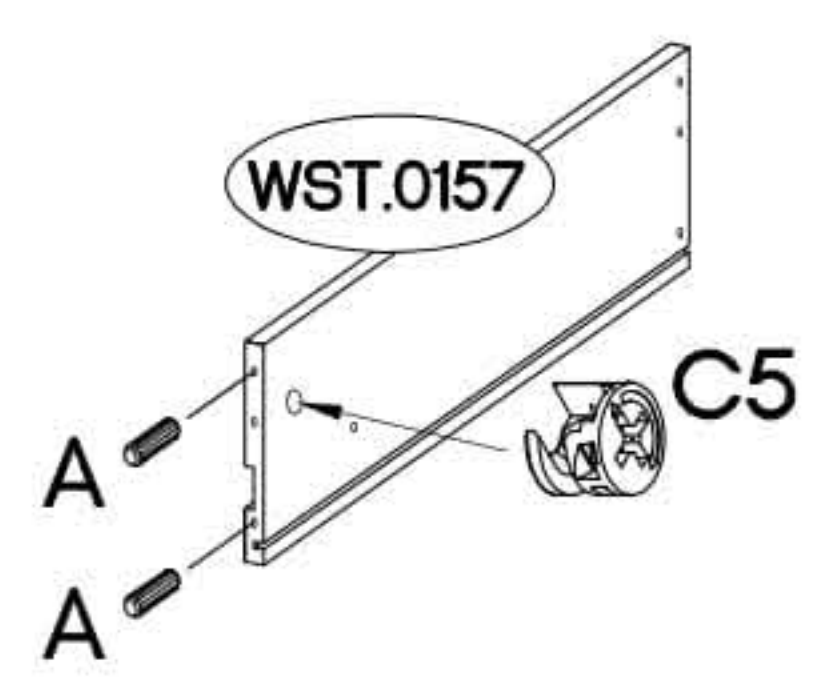
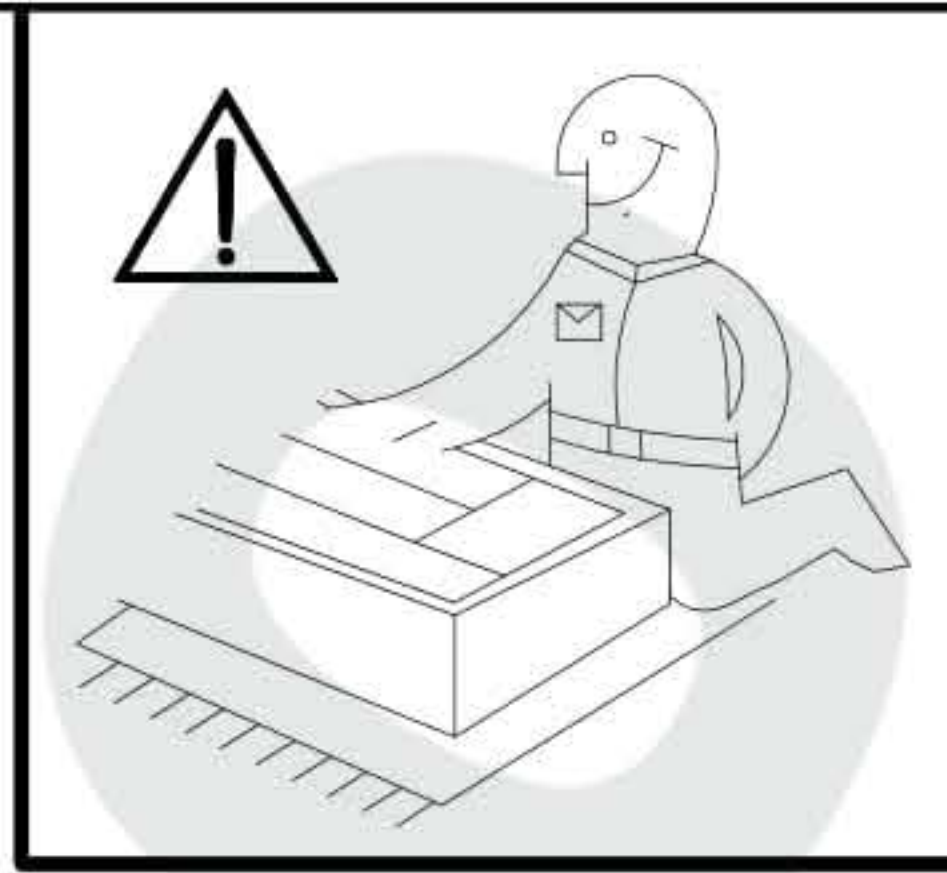


1

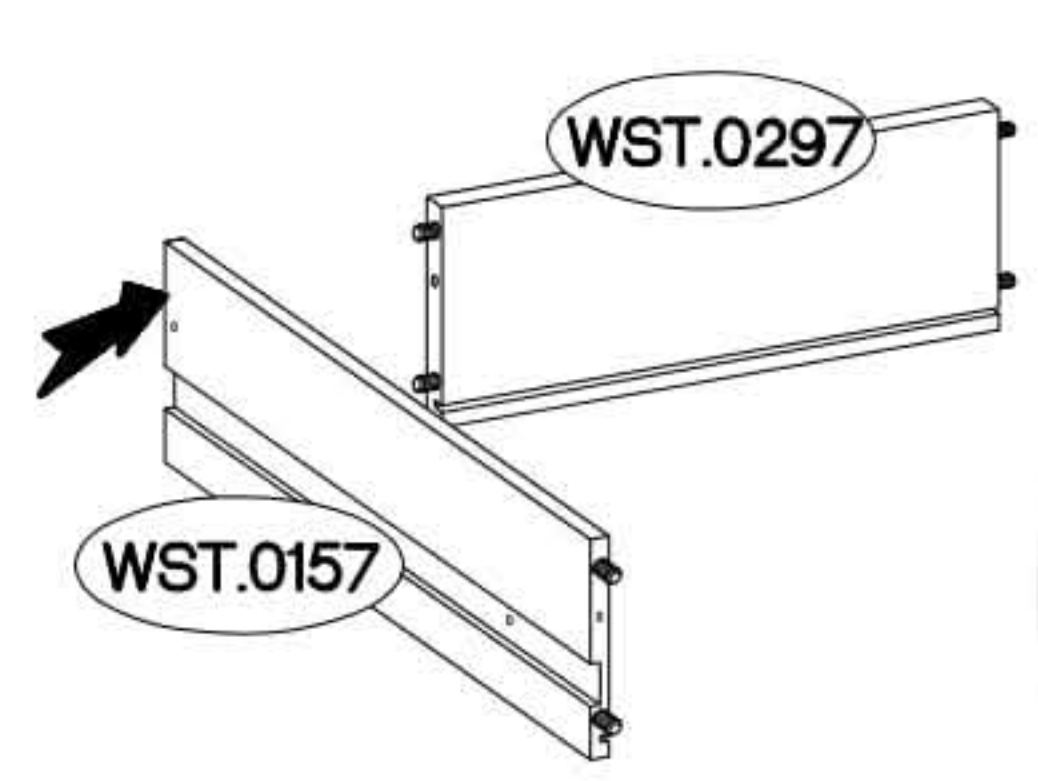
±12/10mm  C5 6	±8x30mm  A 24
---	--




x3

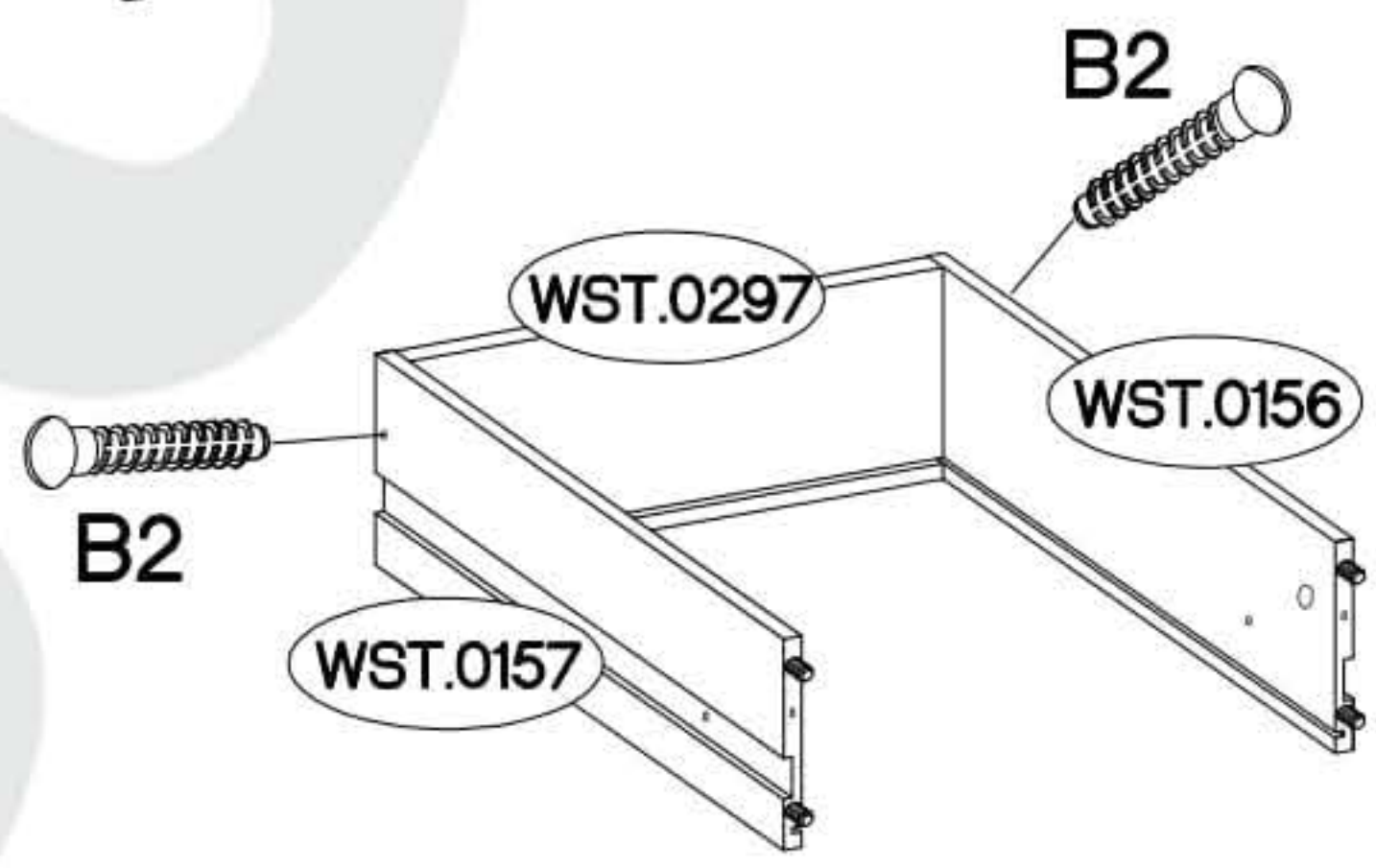
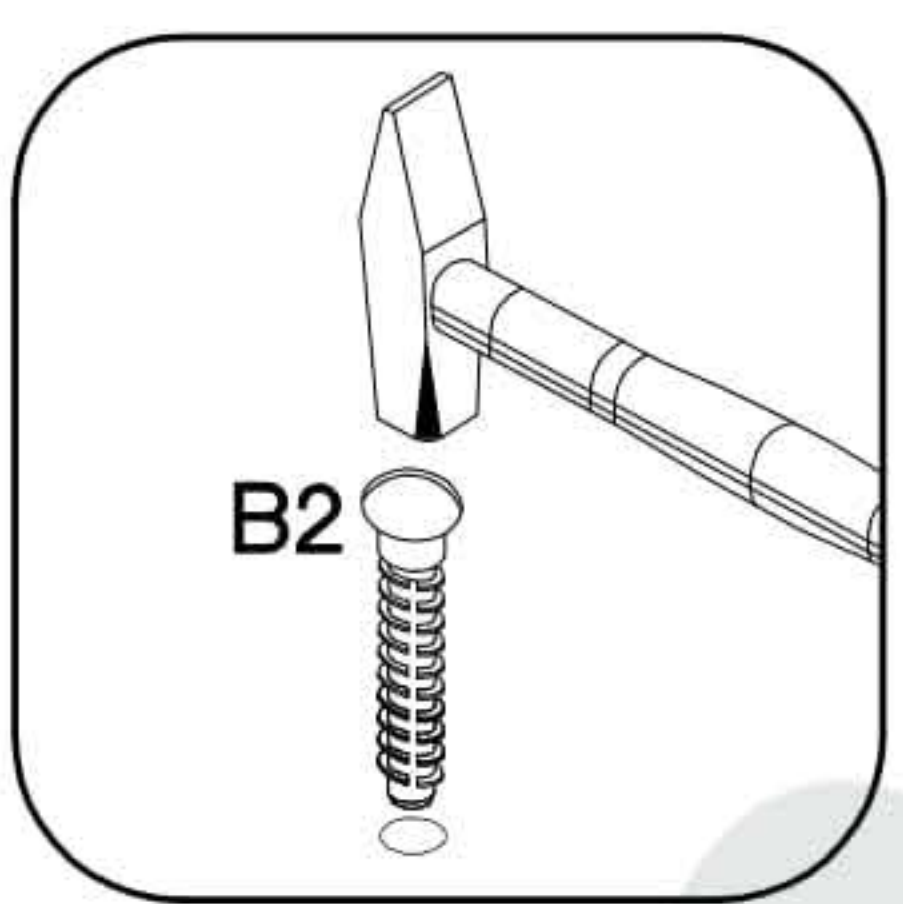


2




x3

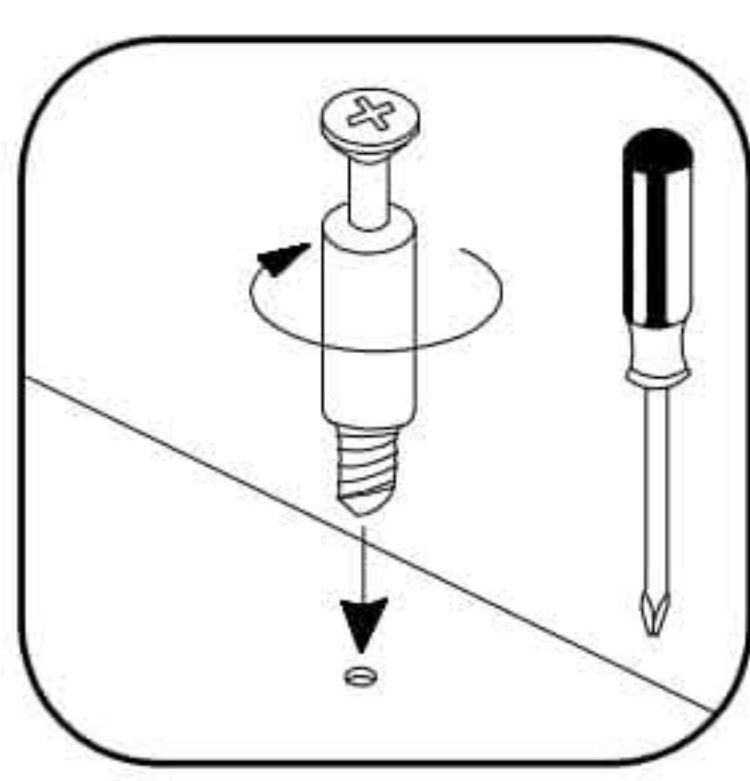
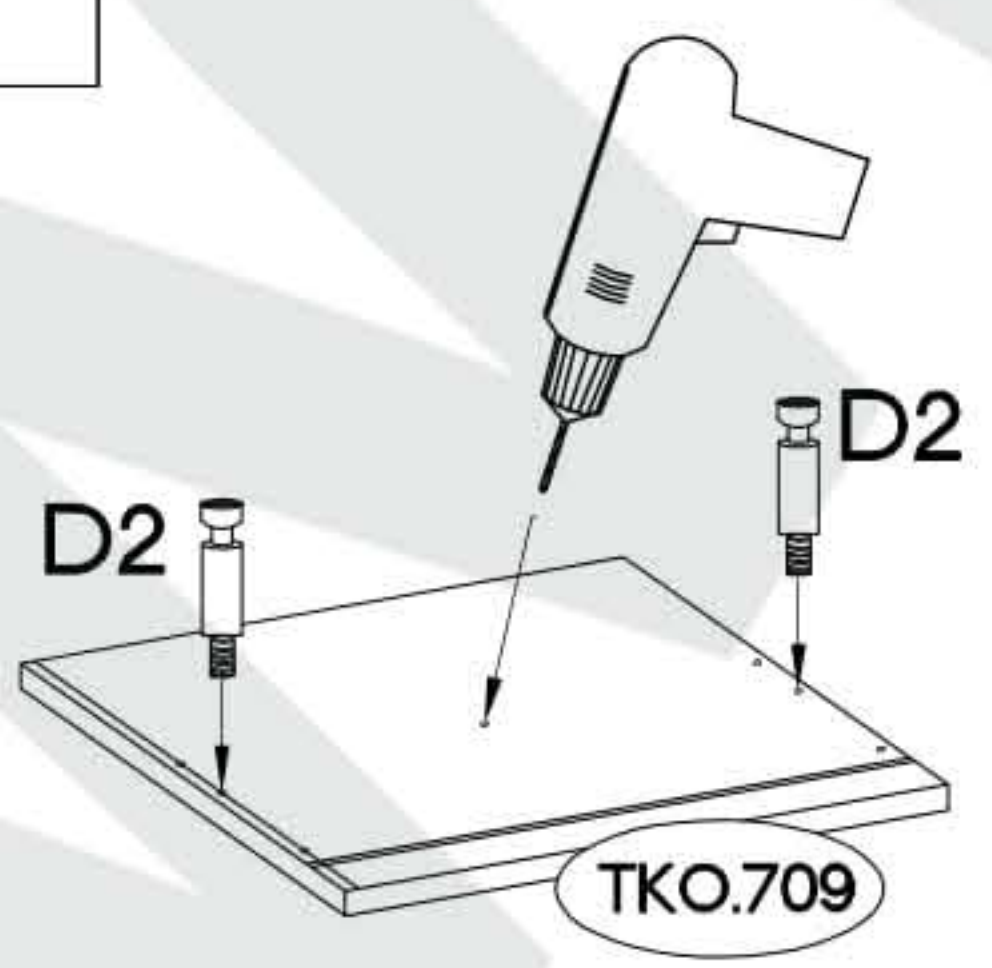
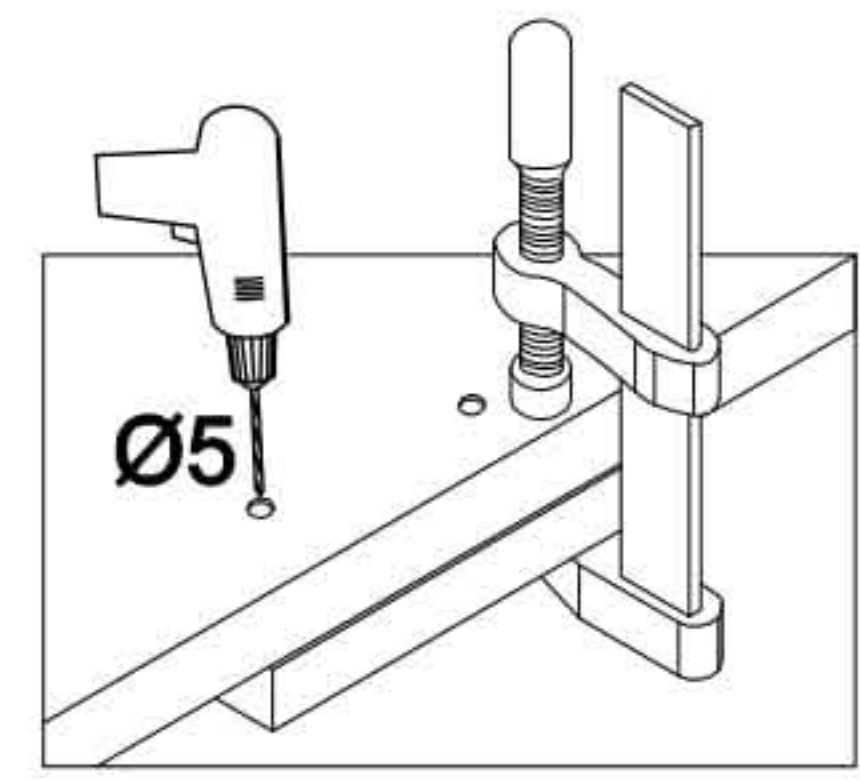
±6x42mm  B2 6



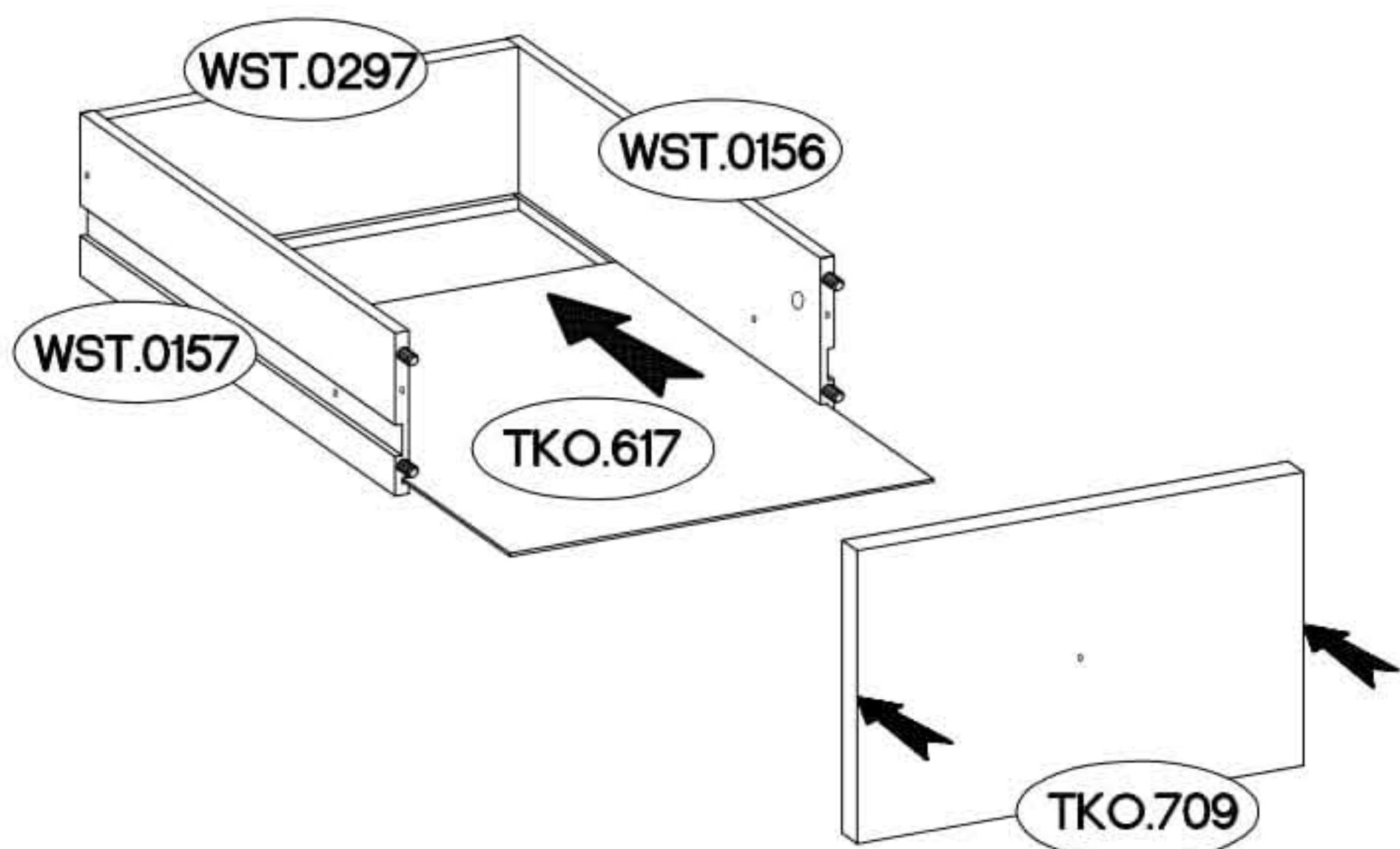
3

L=20mm  D2 6
--

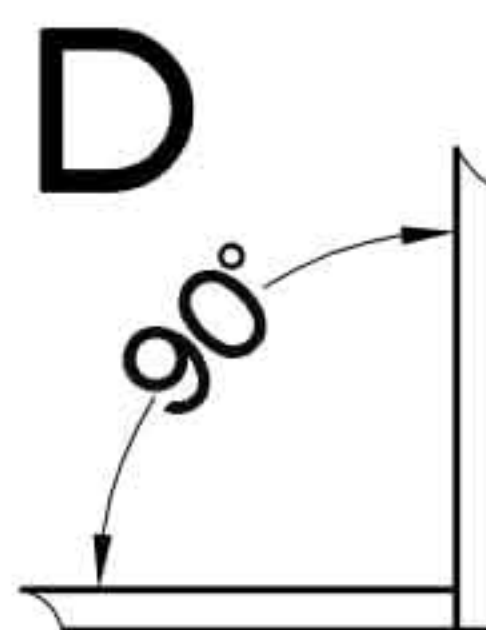
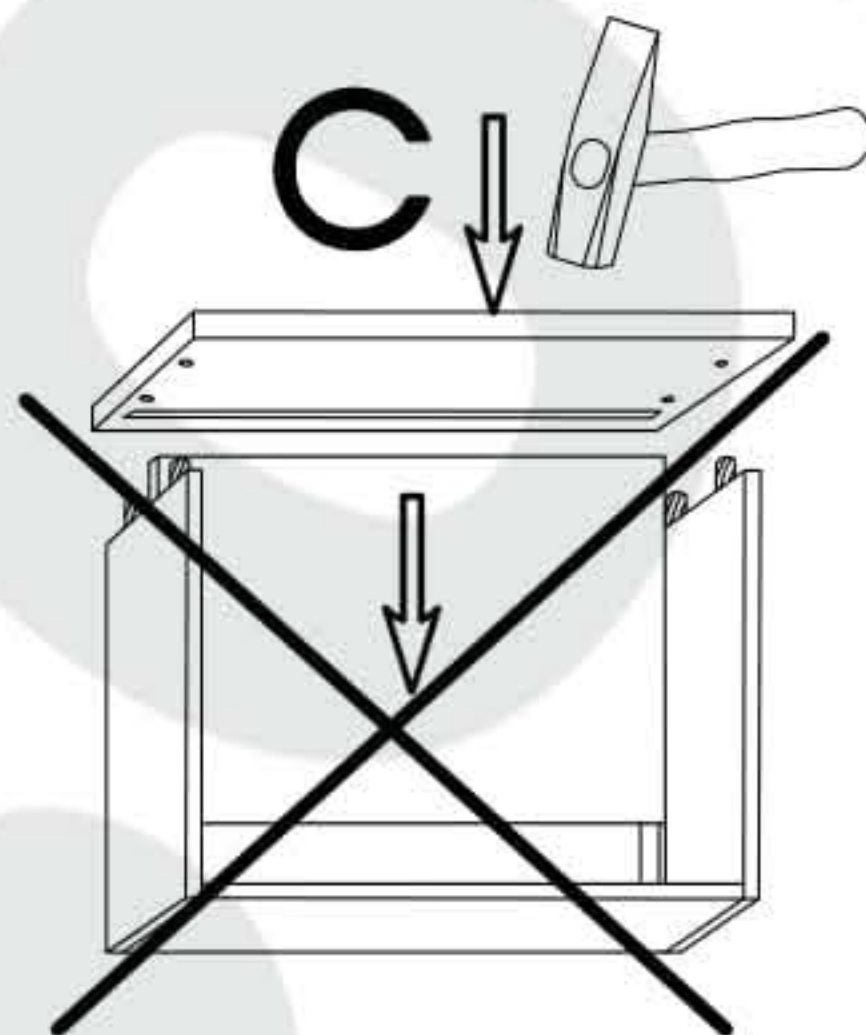
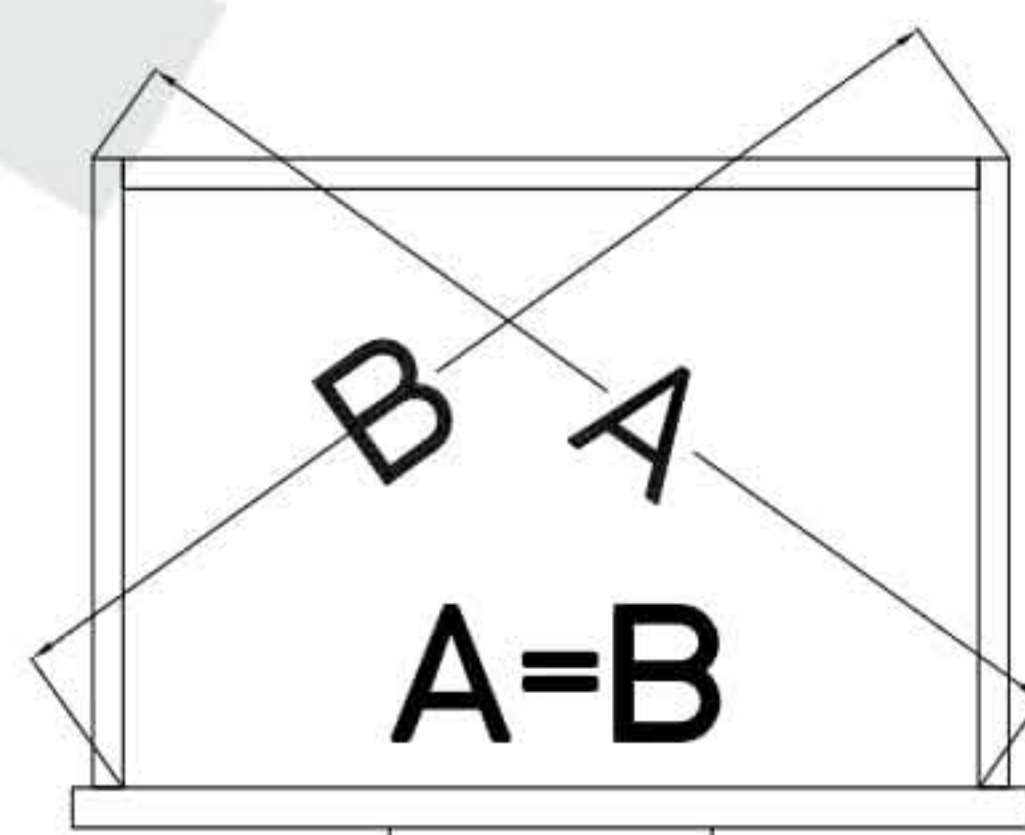
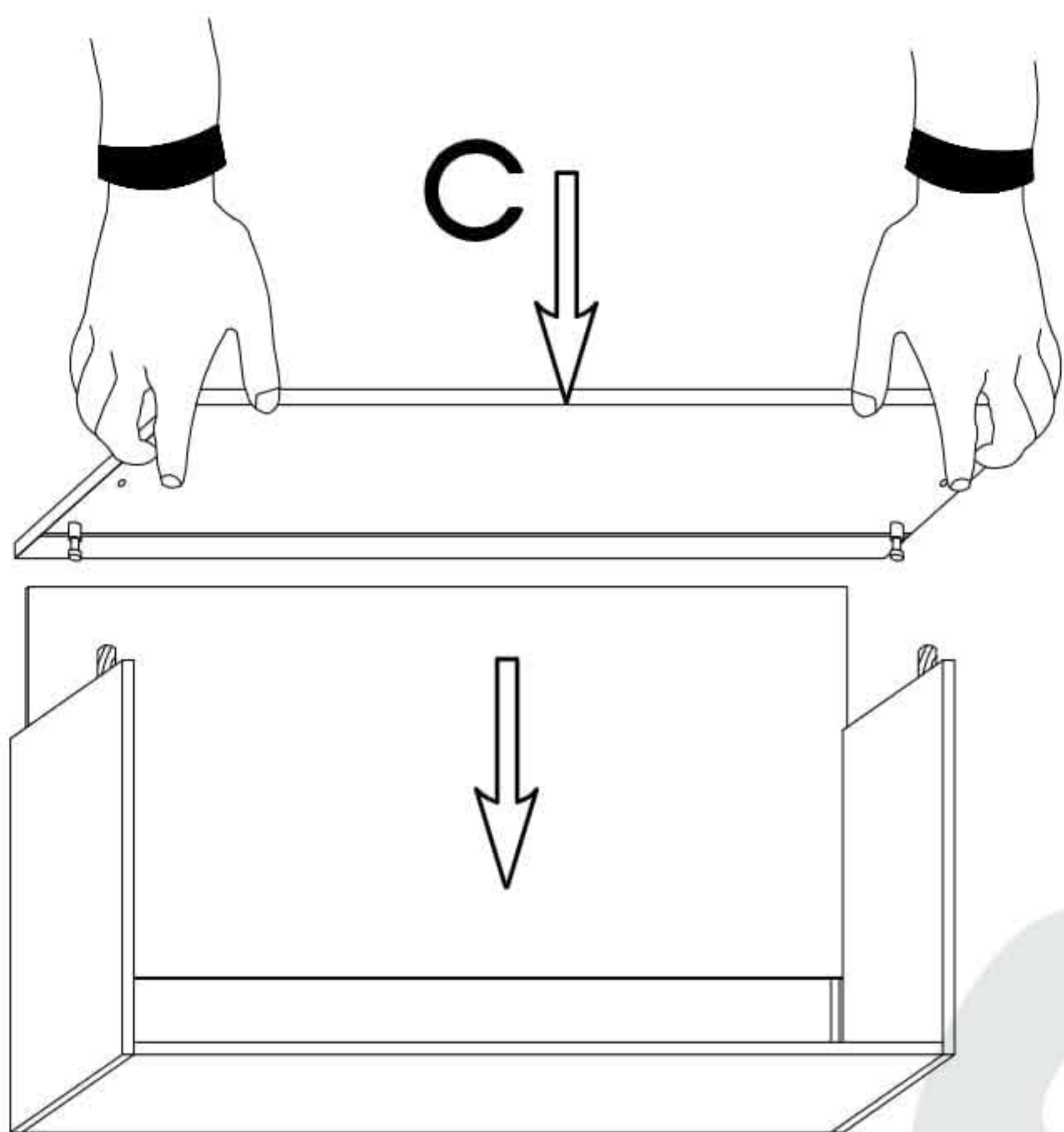
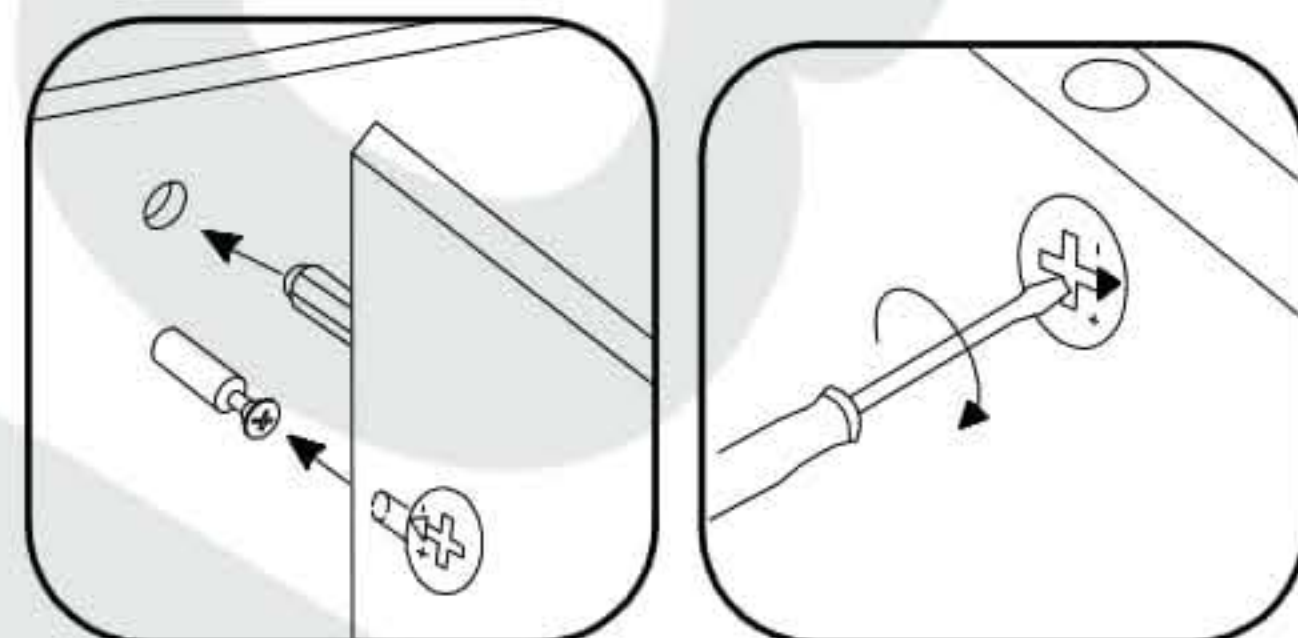
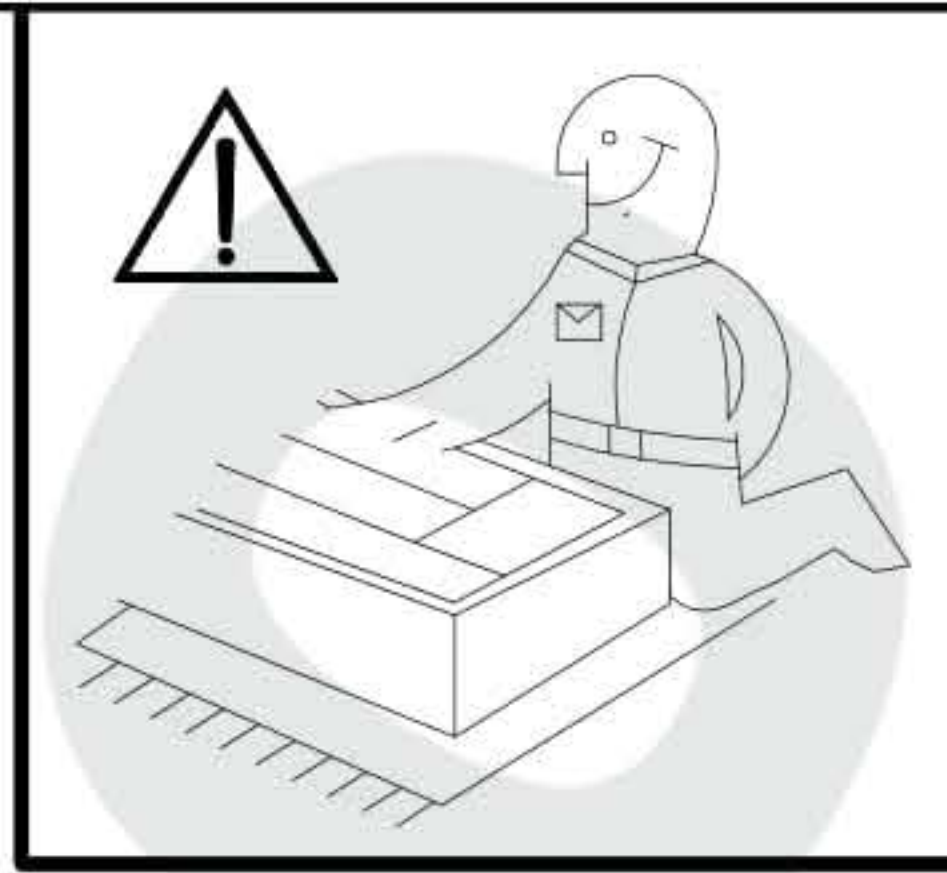
x3



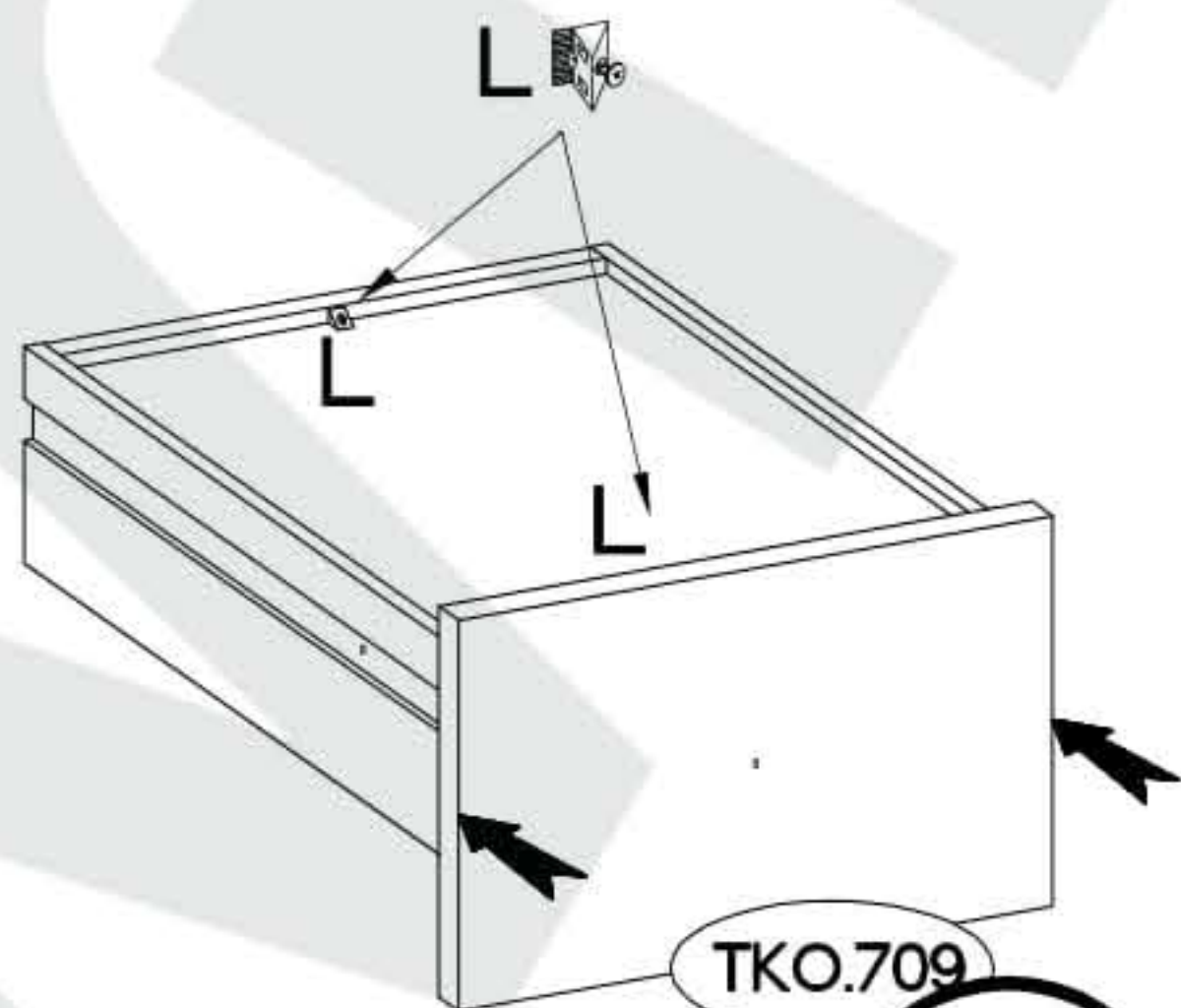
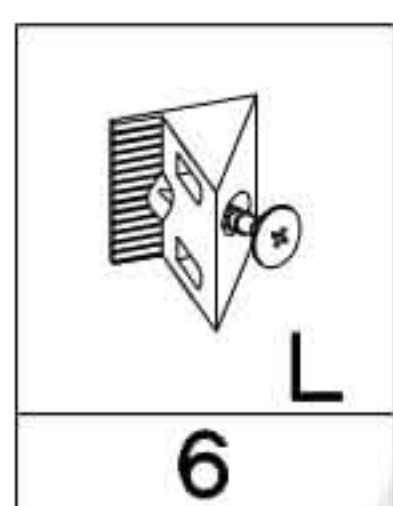
4



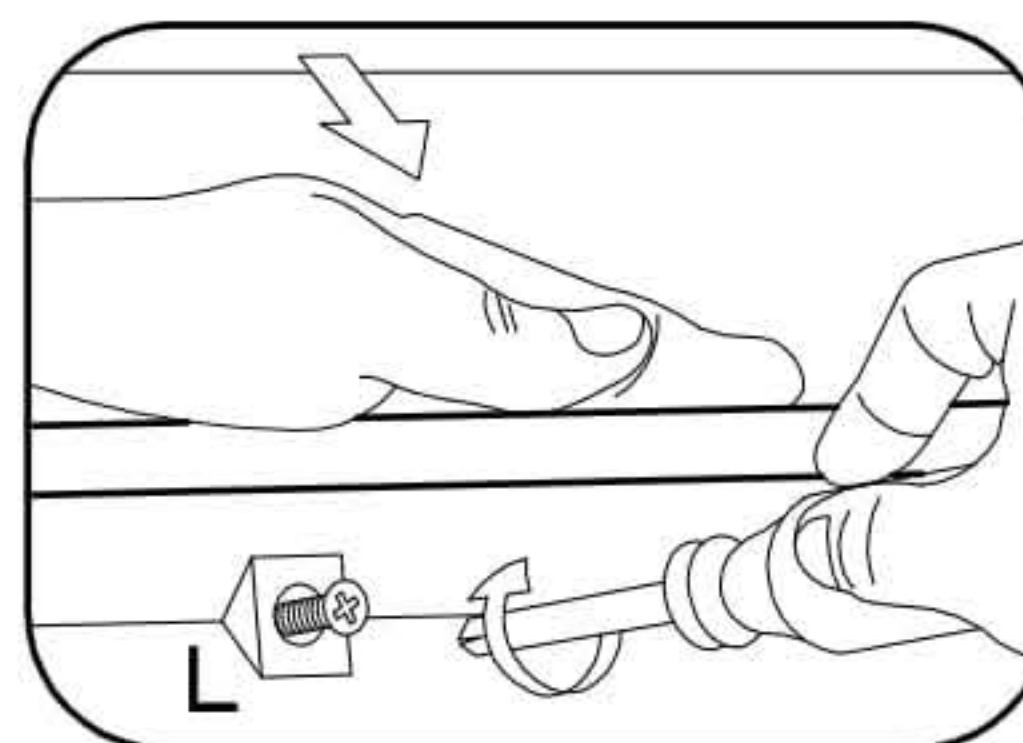
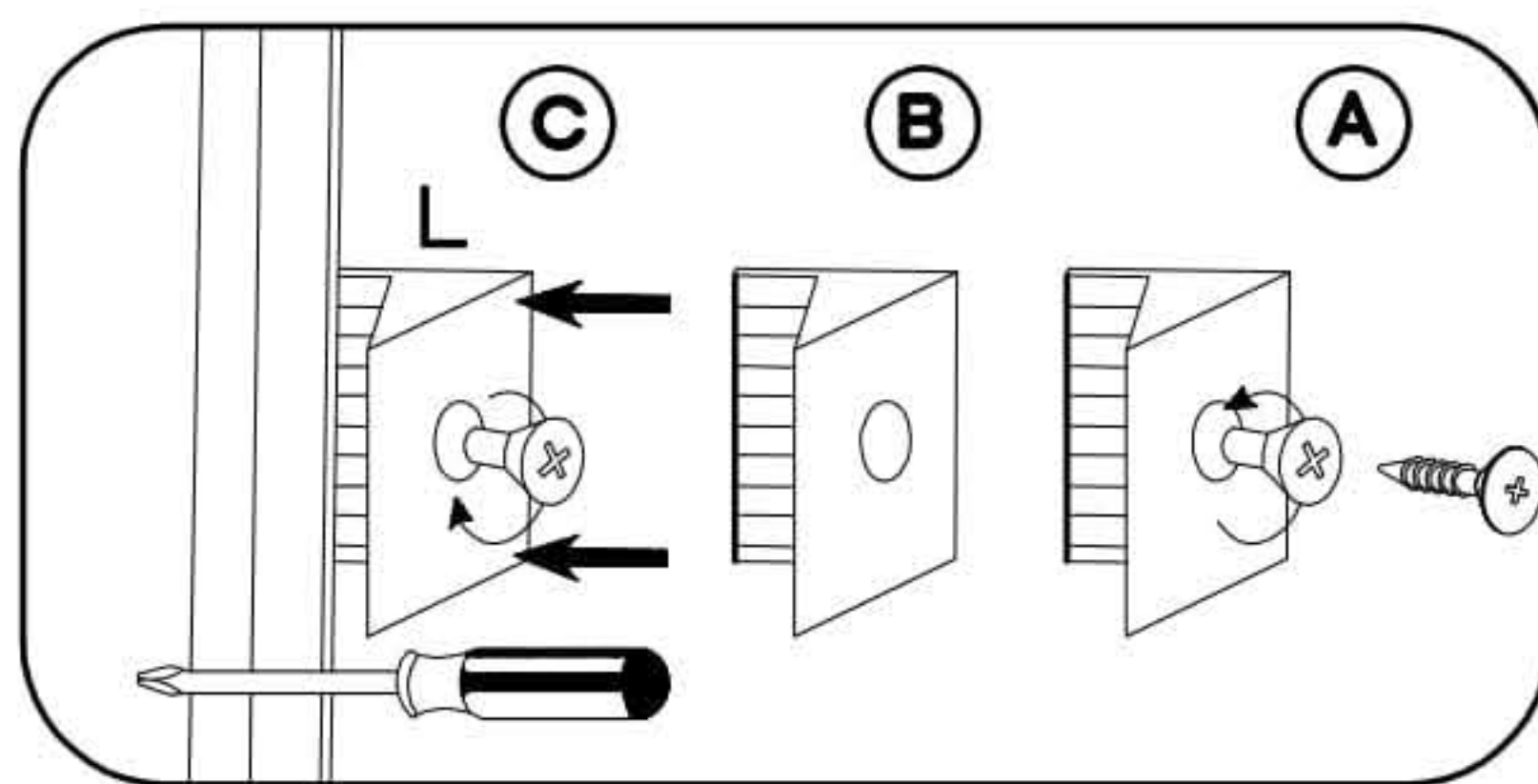
x3







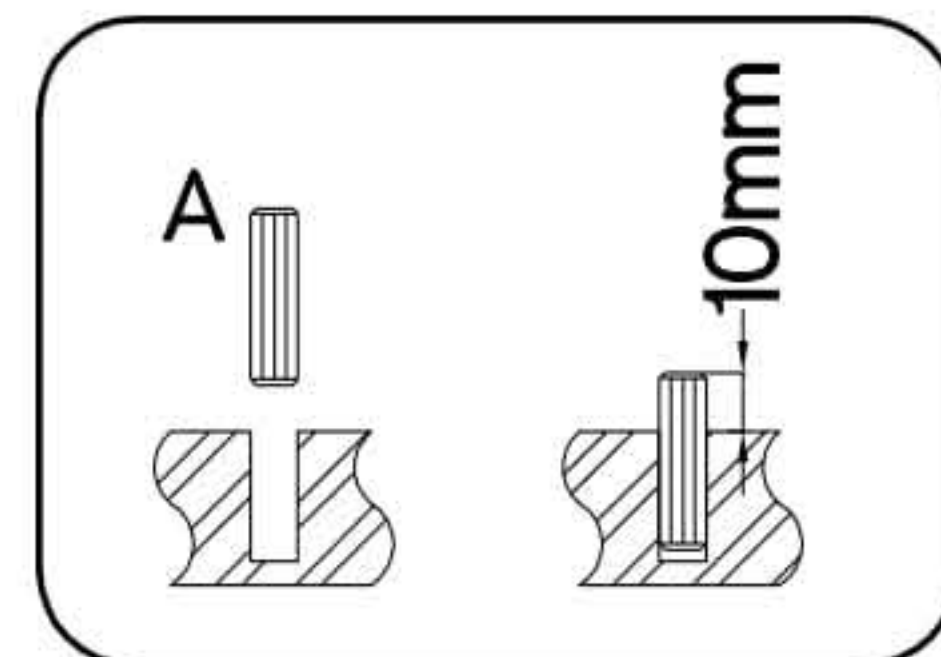
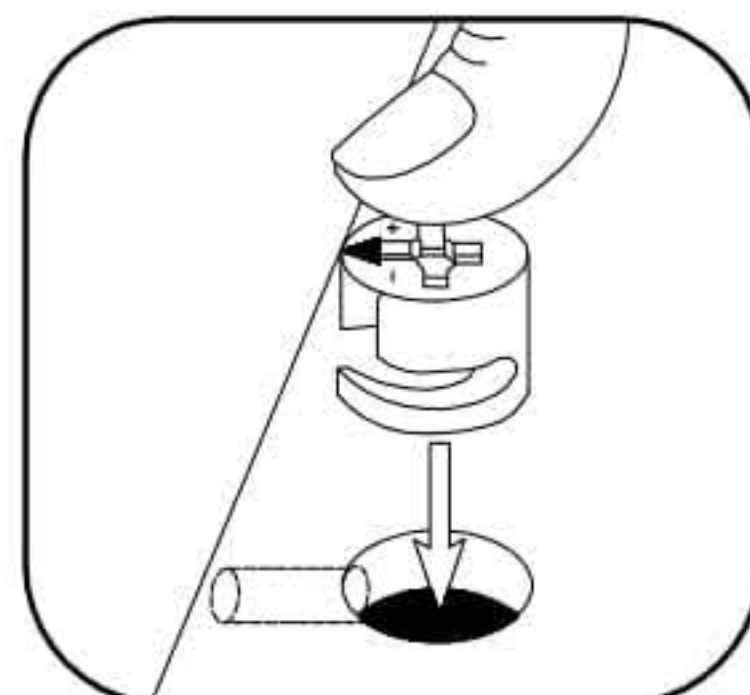
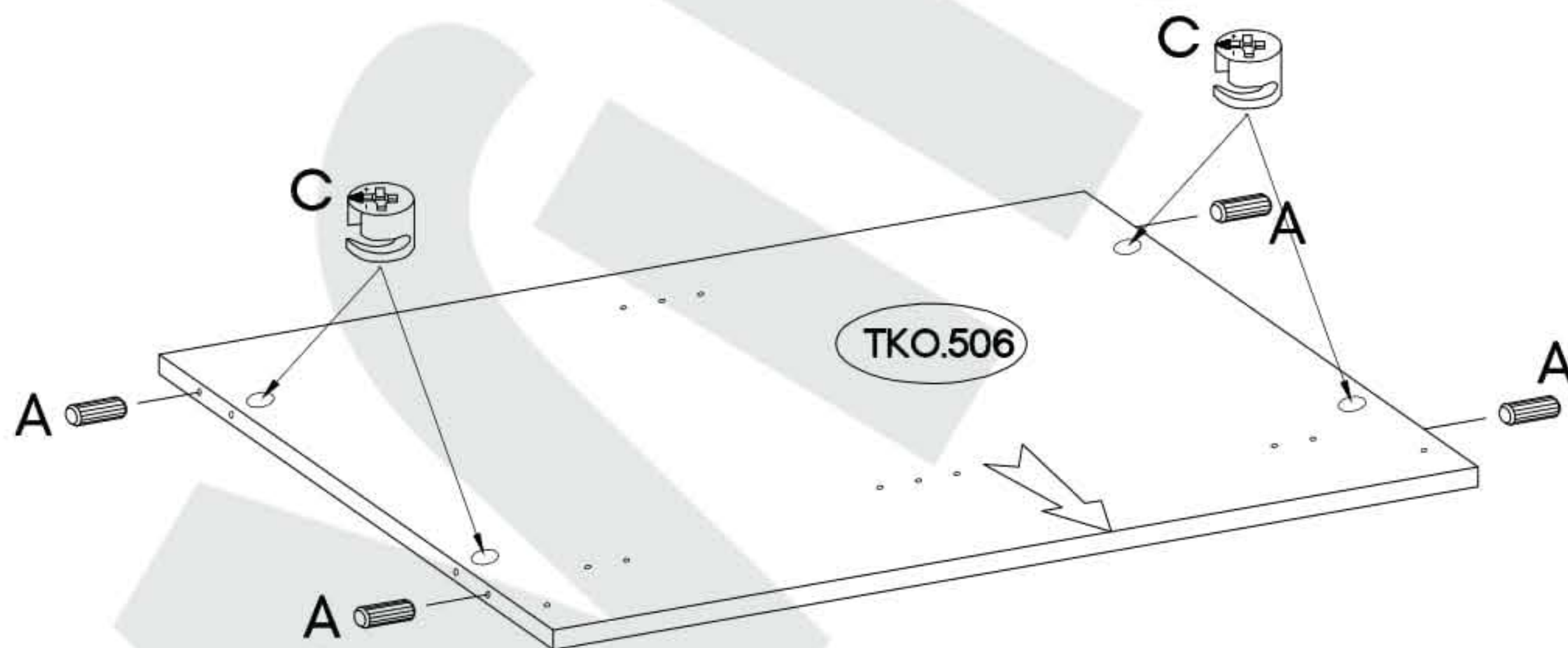
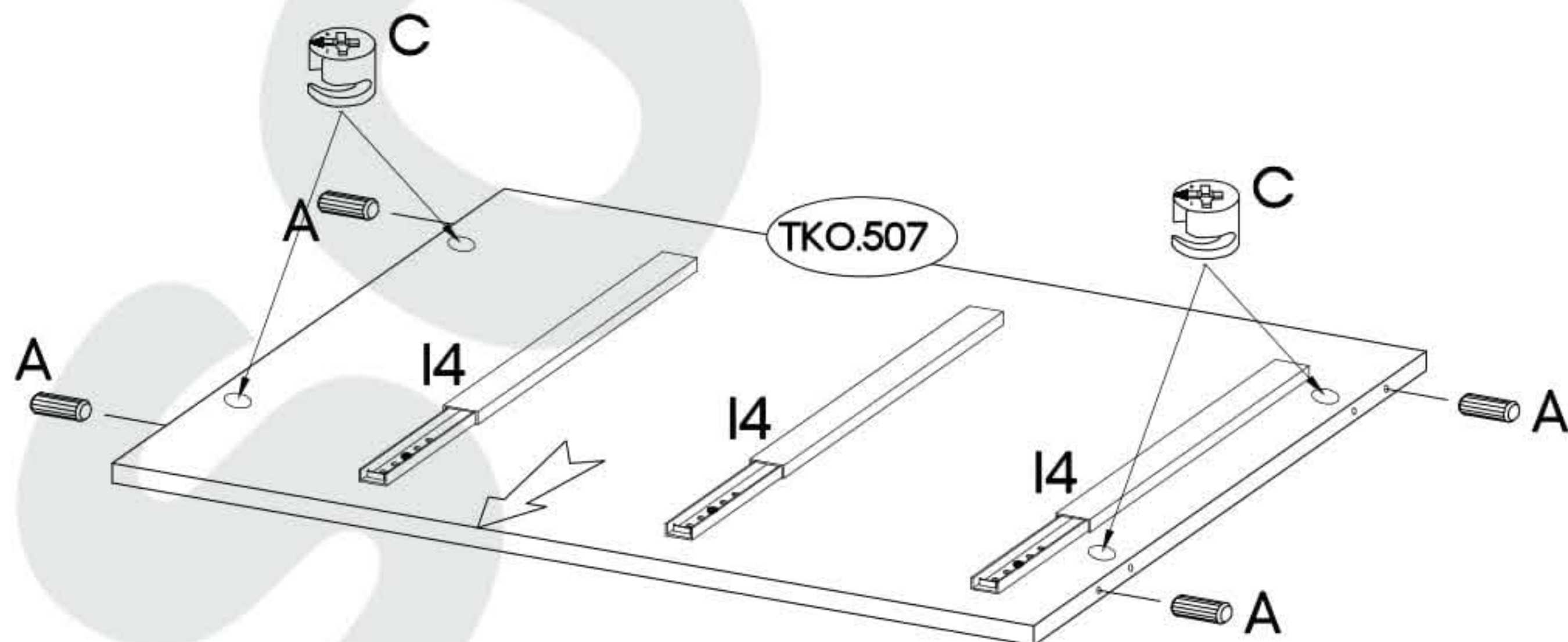
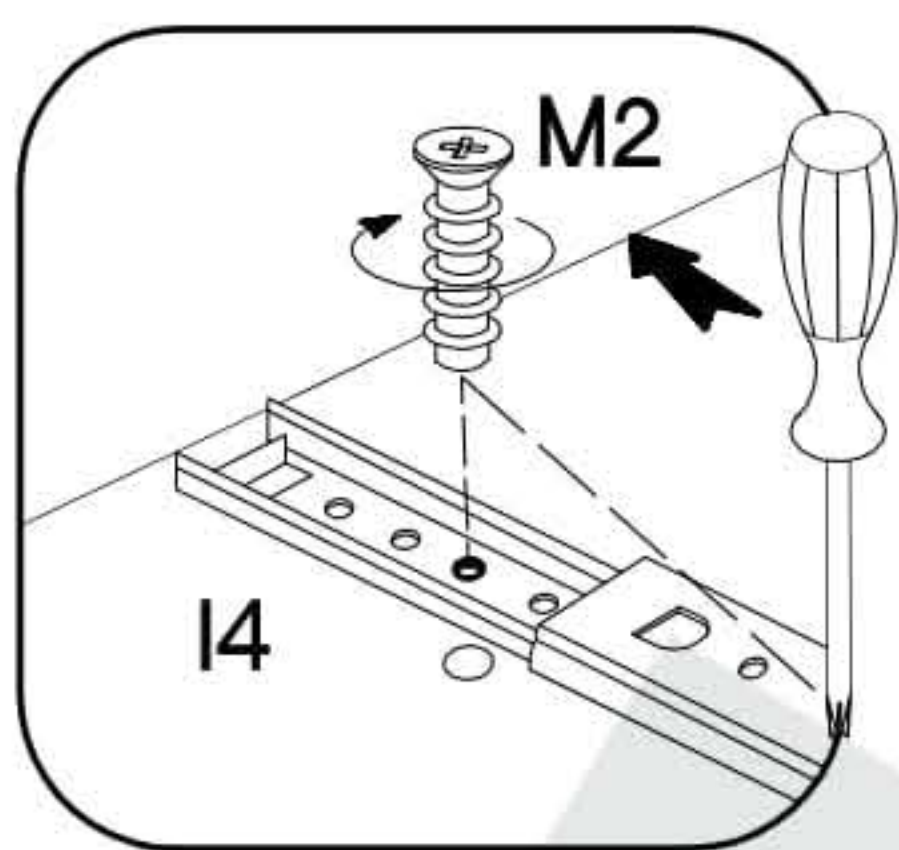
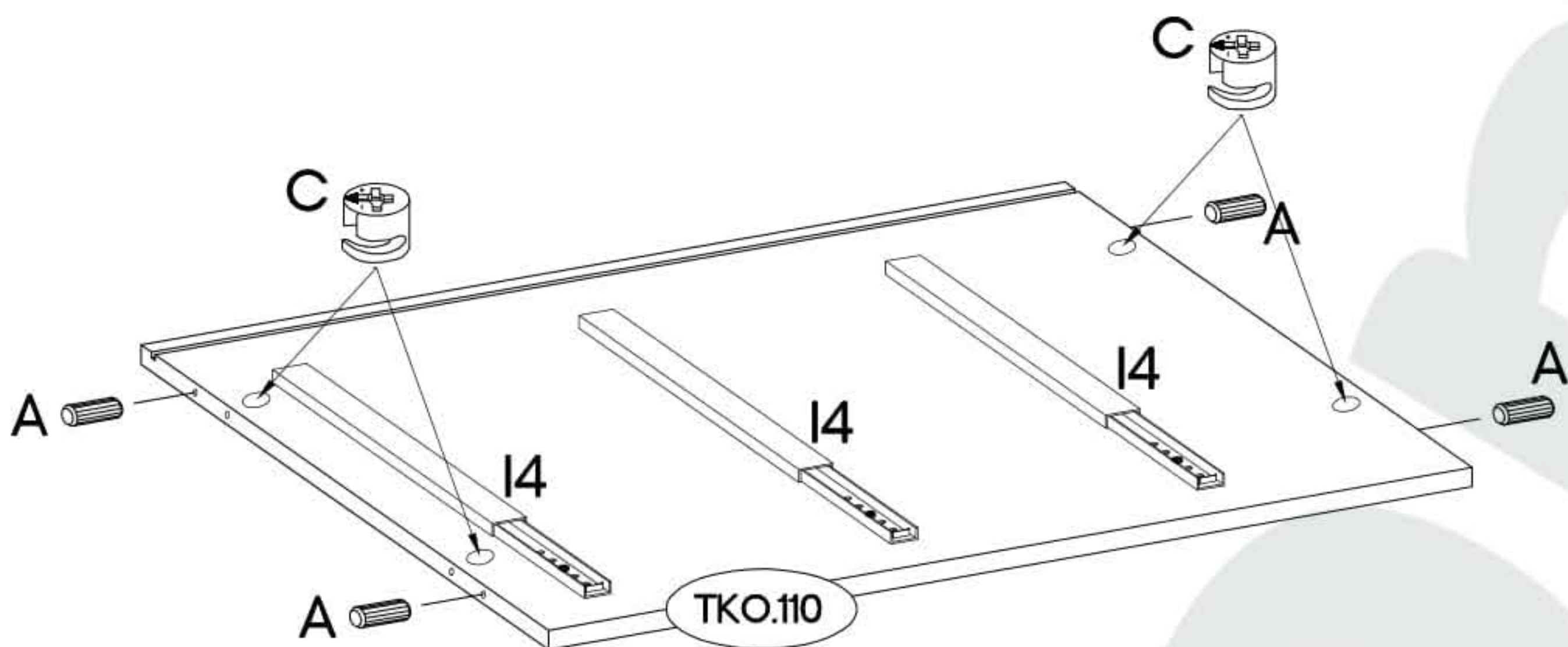
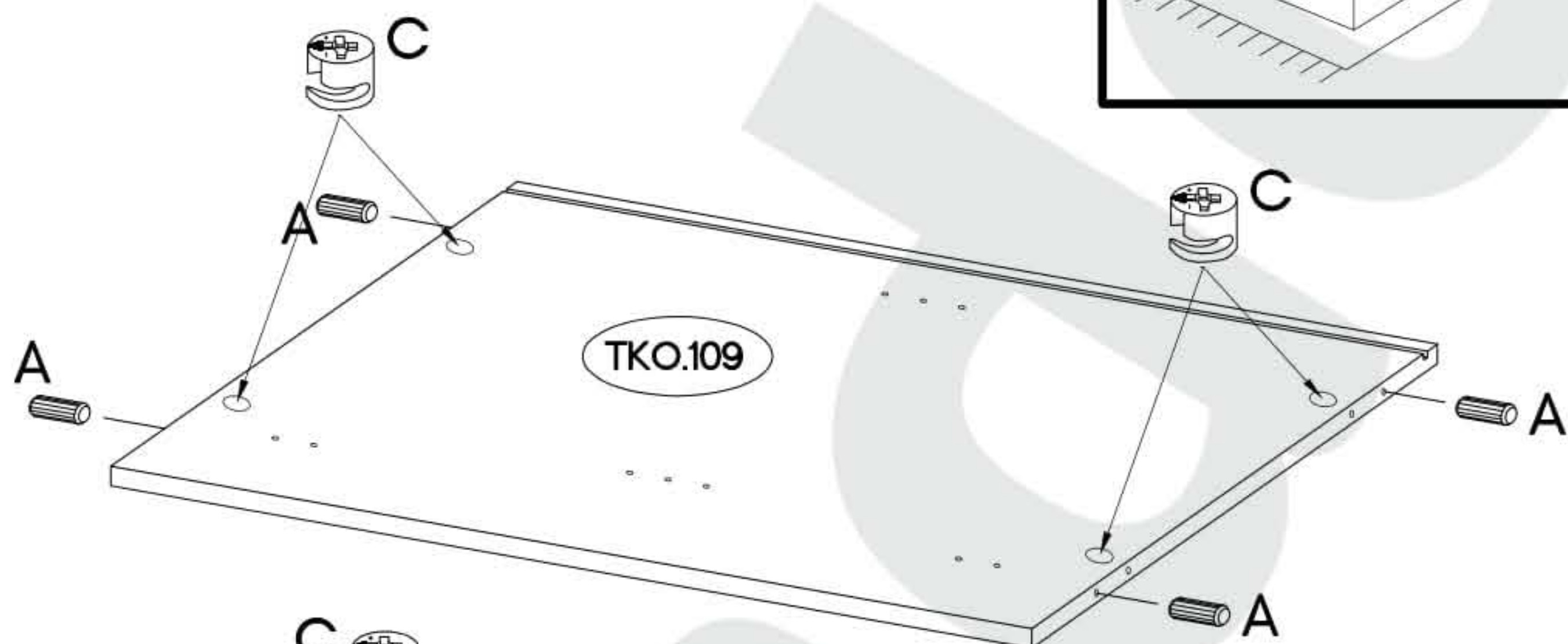
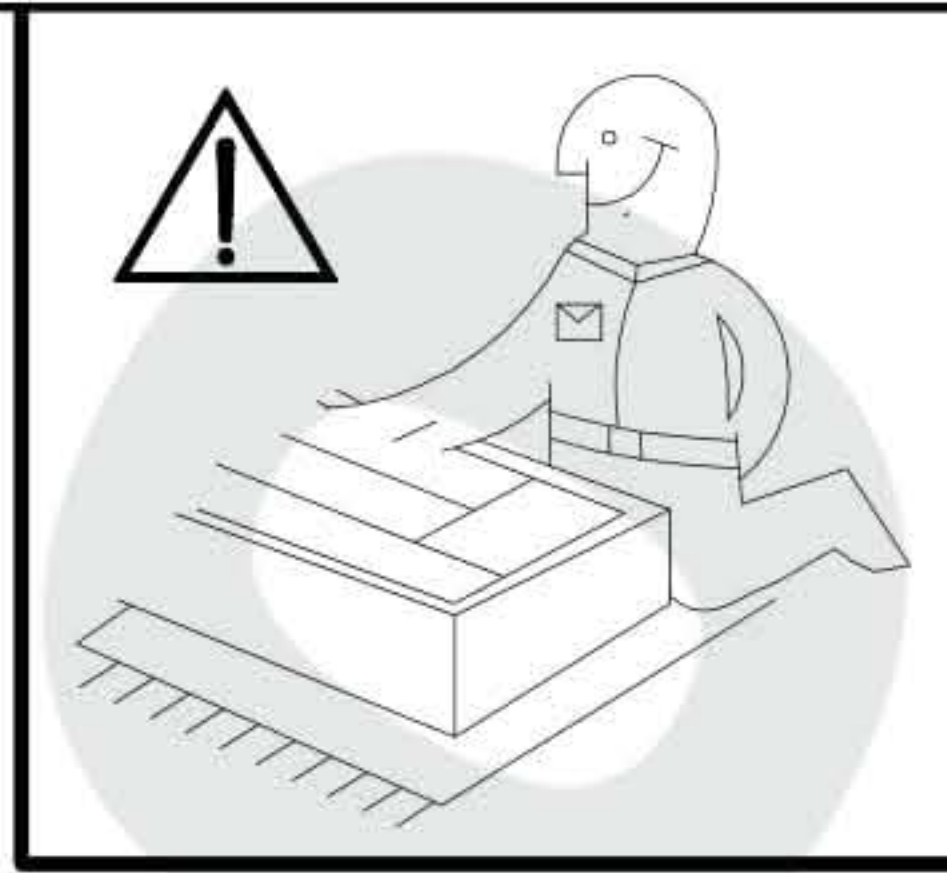
5



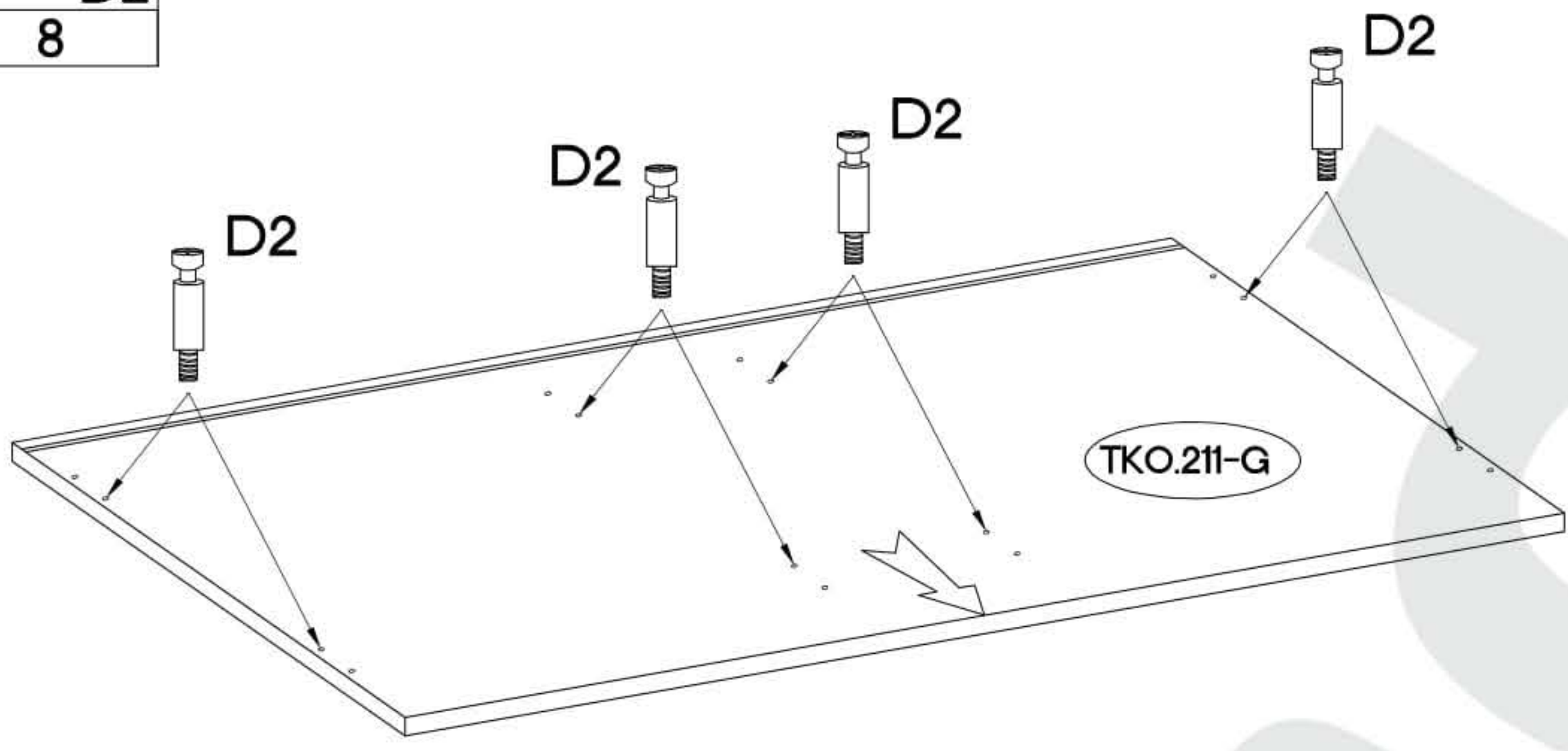
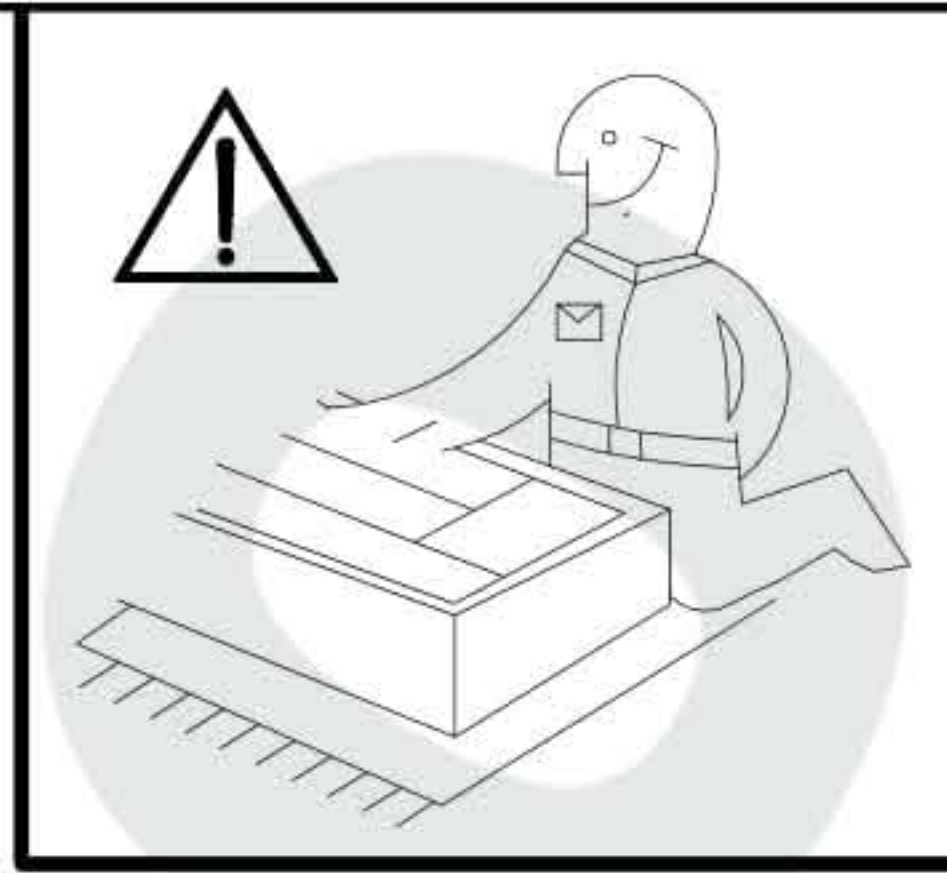
x3



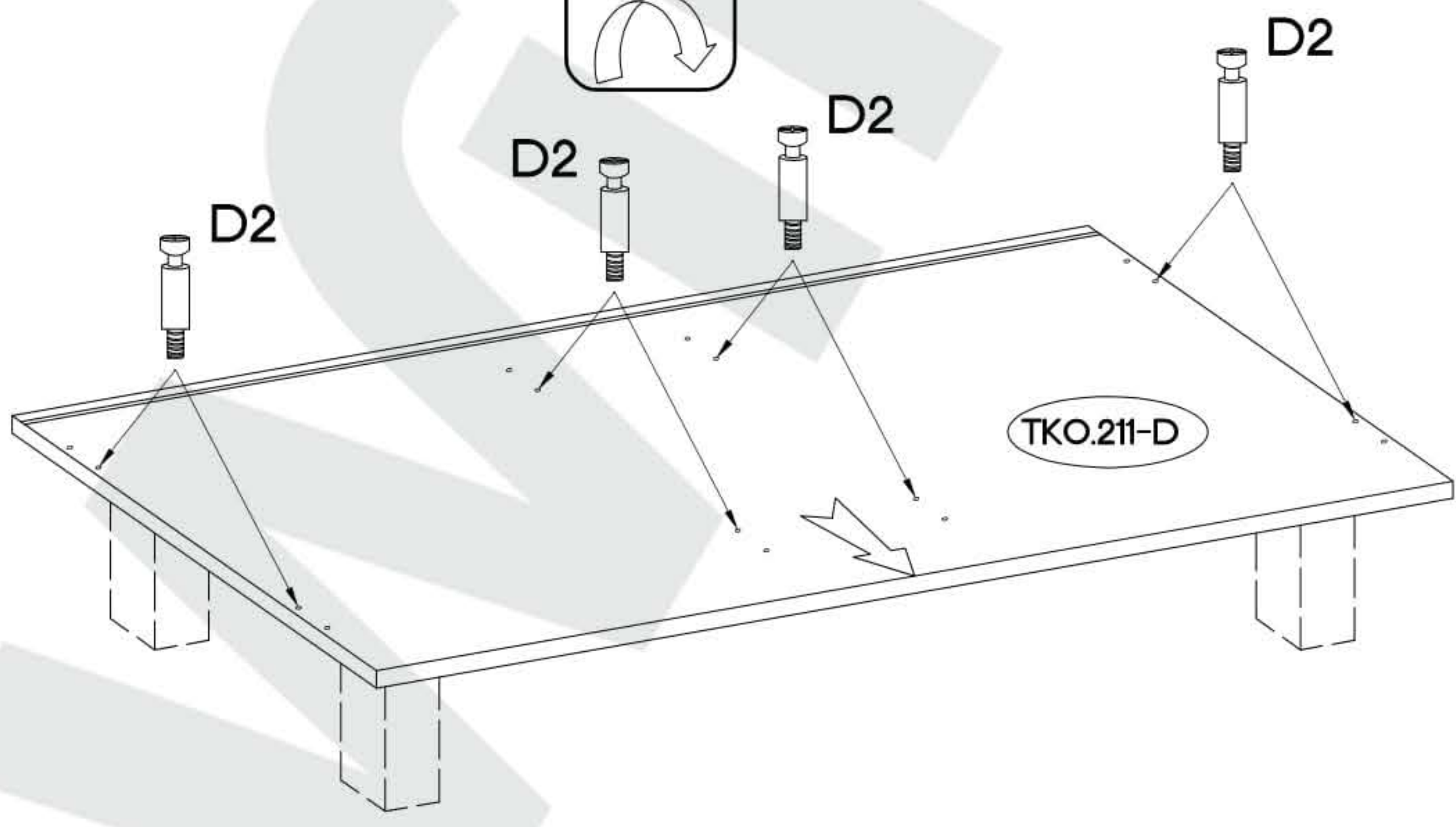
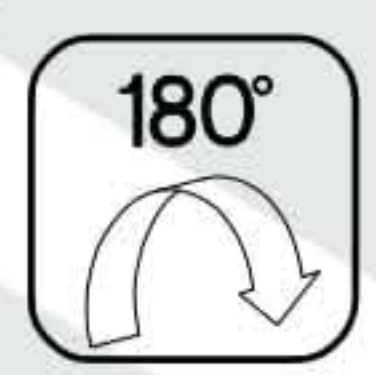
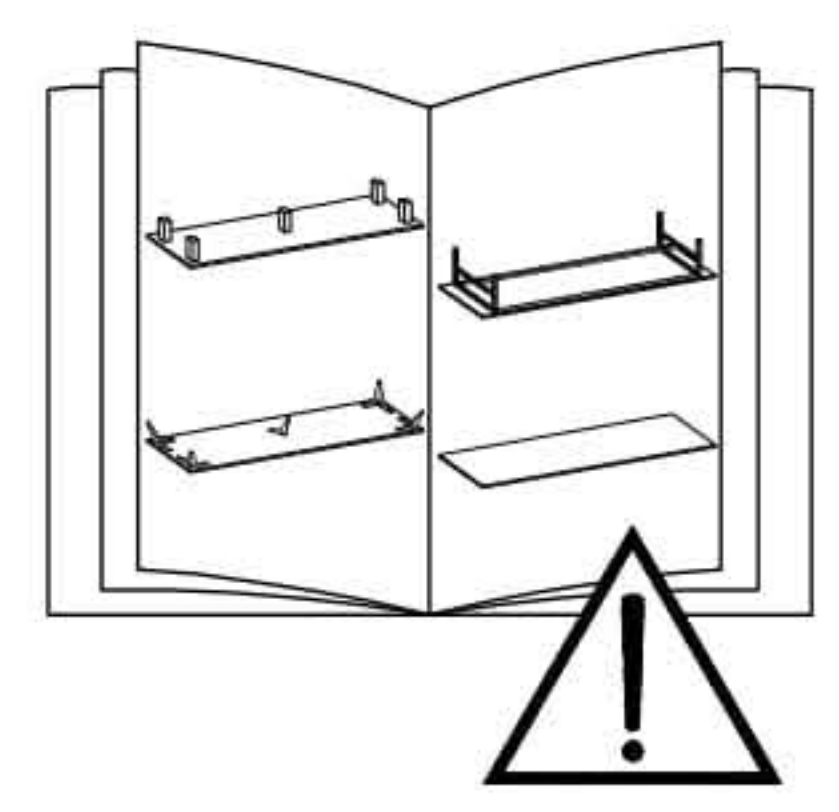
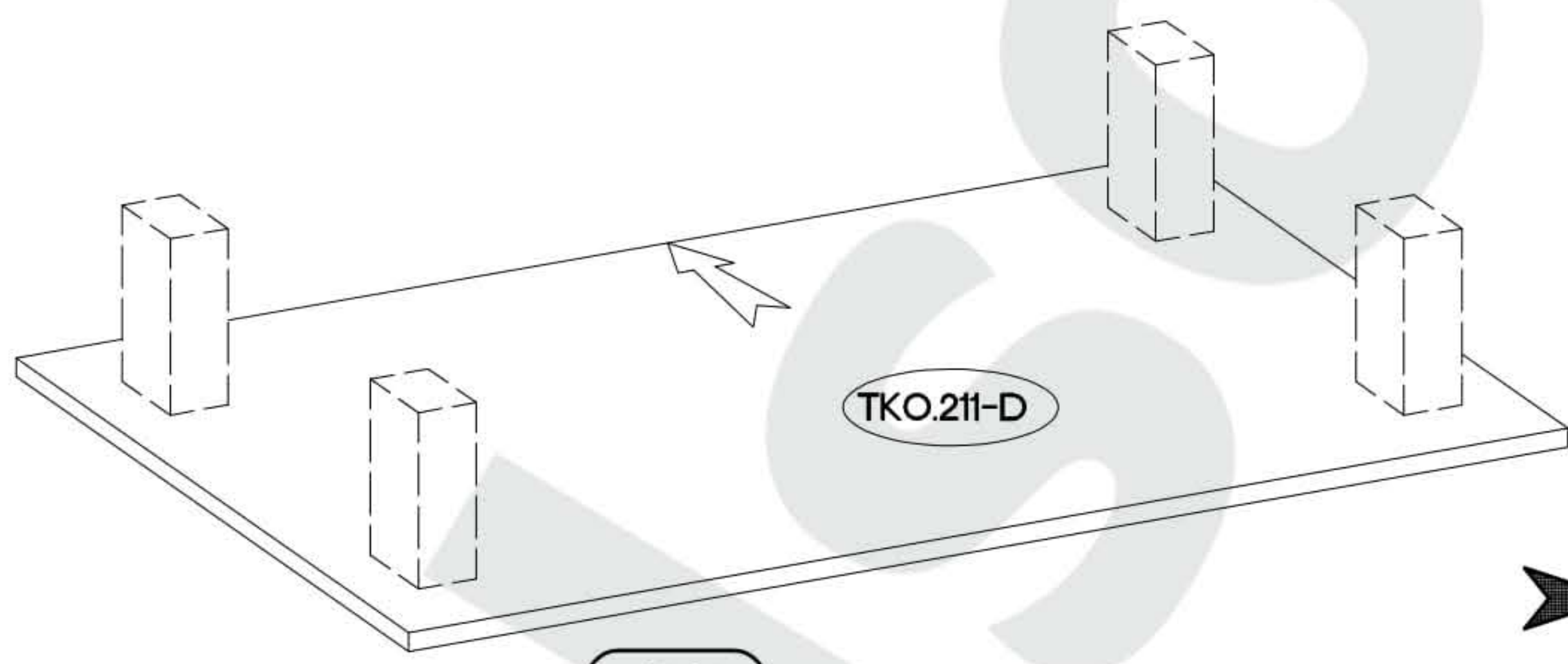
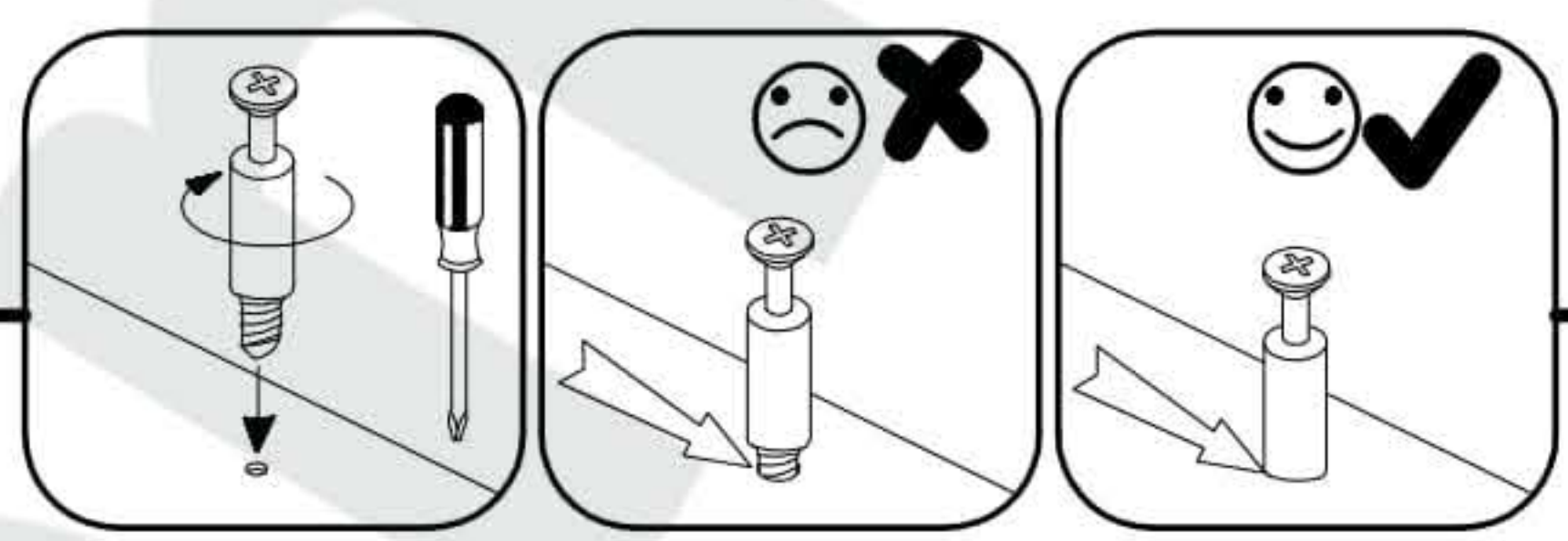
 †8x30mm A 16	 †15/12mm C 16	 27/310mm I4 3	 †6,3x13mm M2 12
--	---	---	---



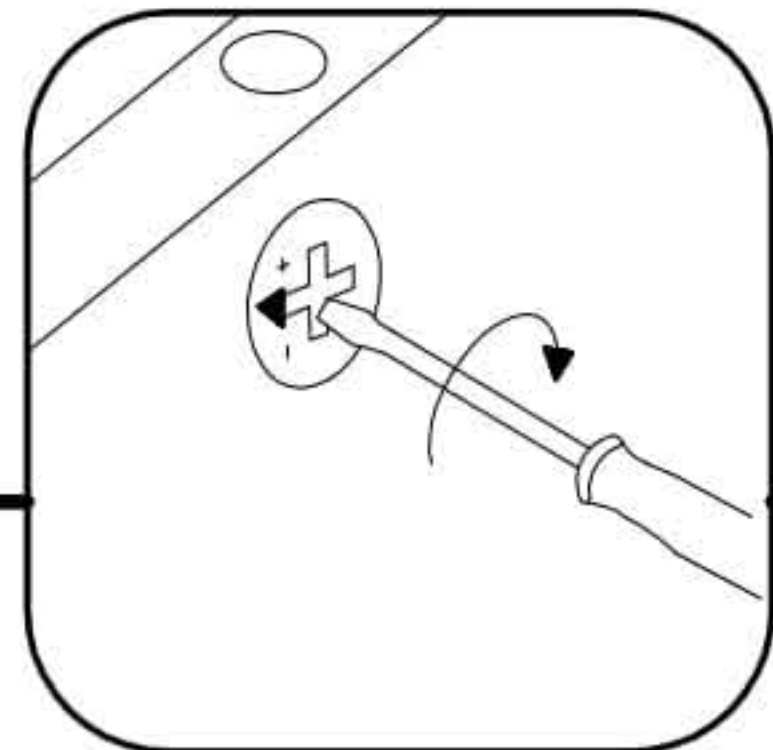
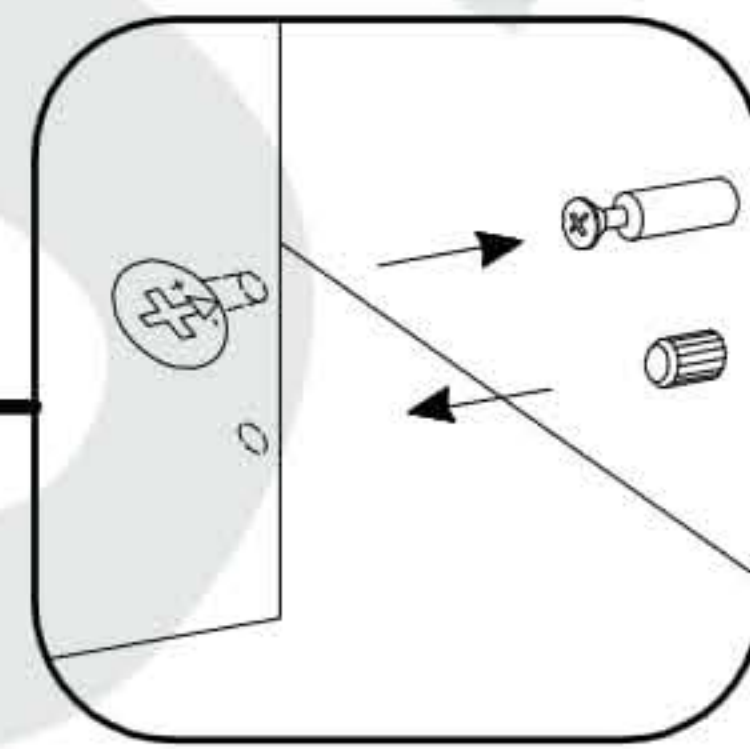
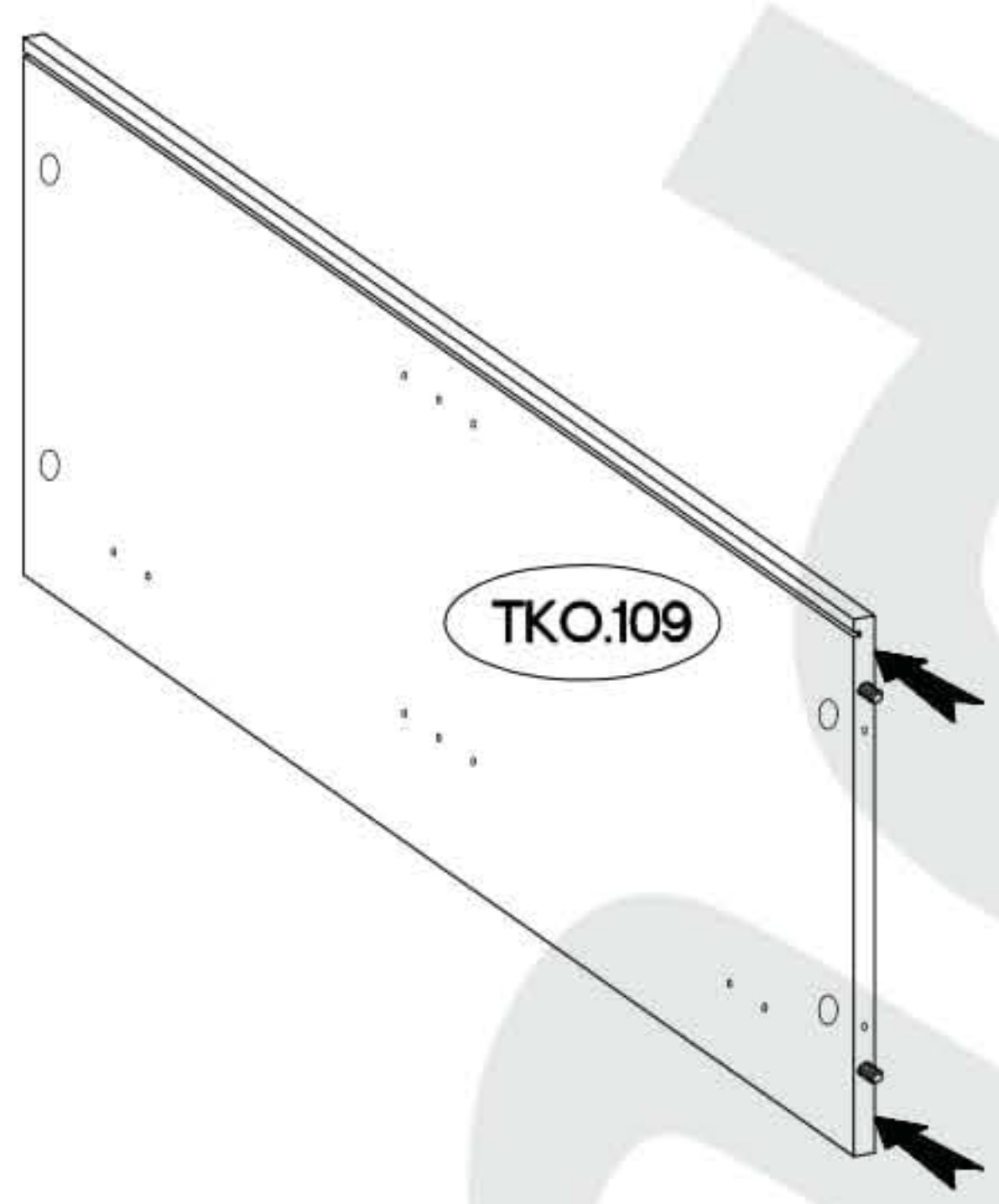
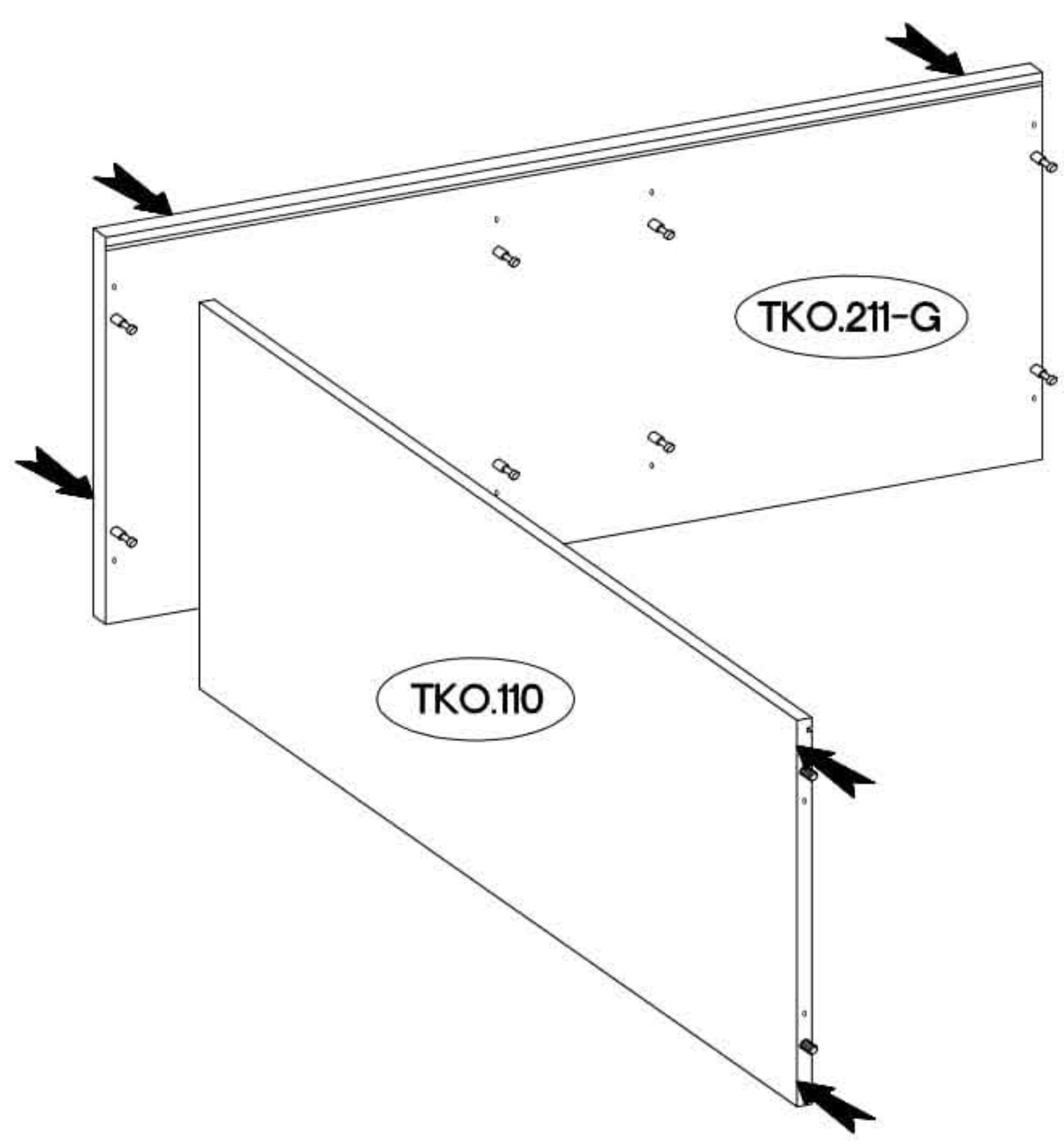
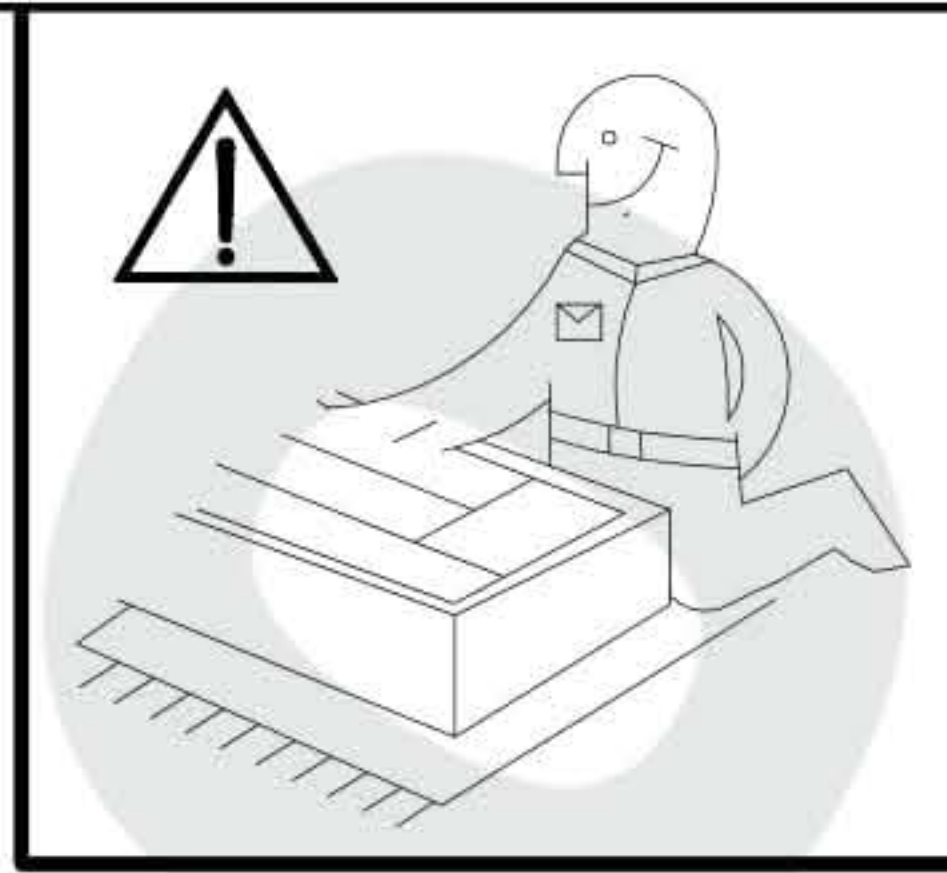
7



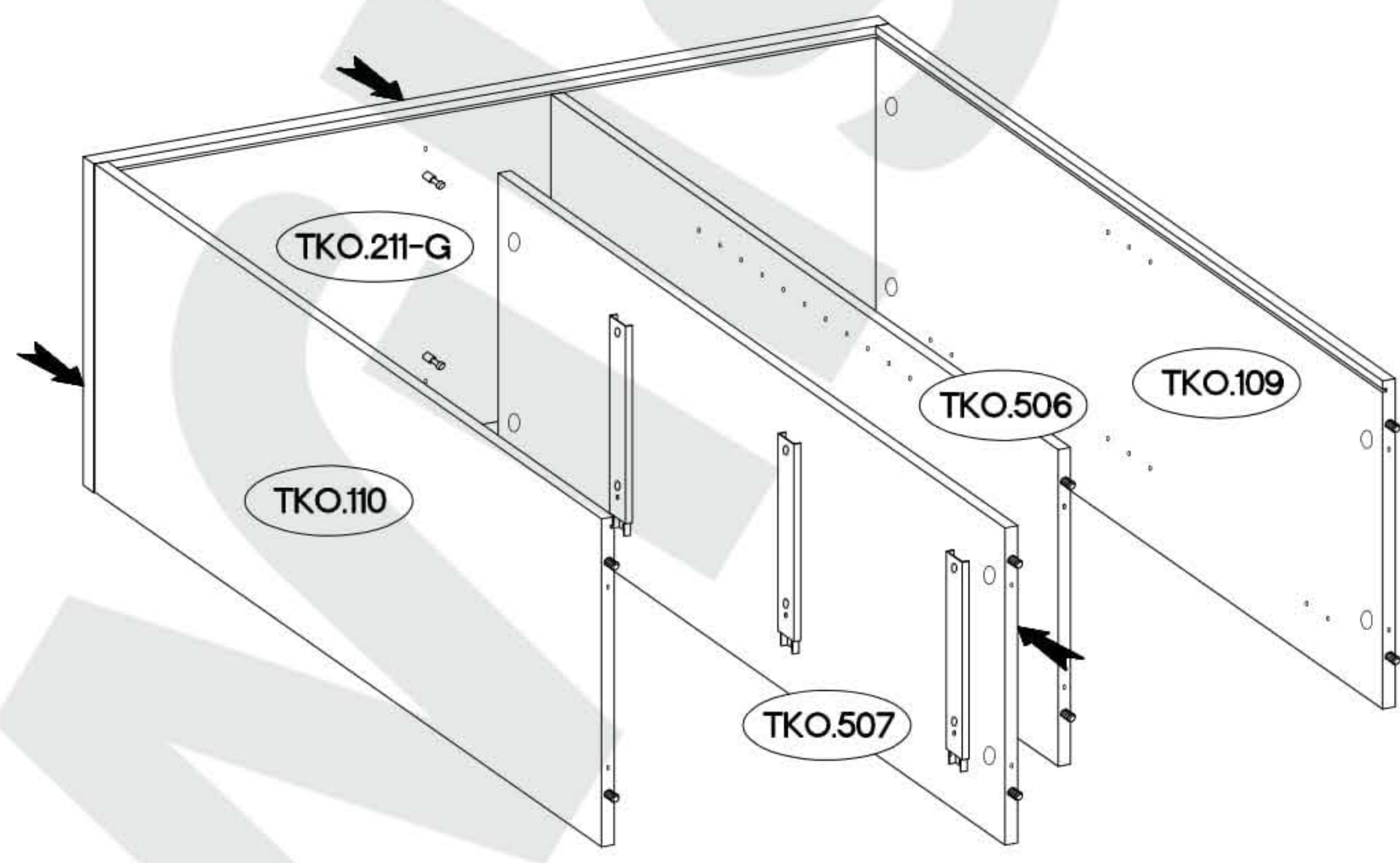
8

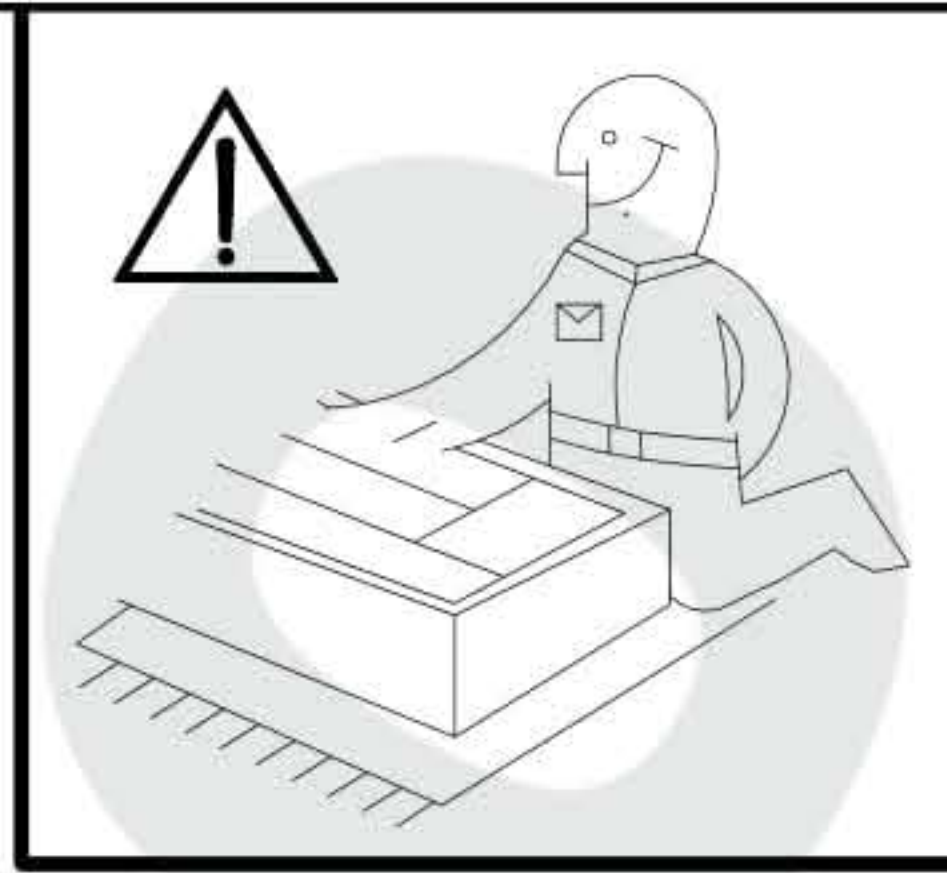
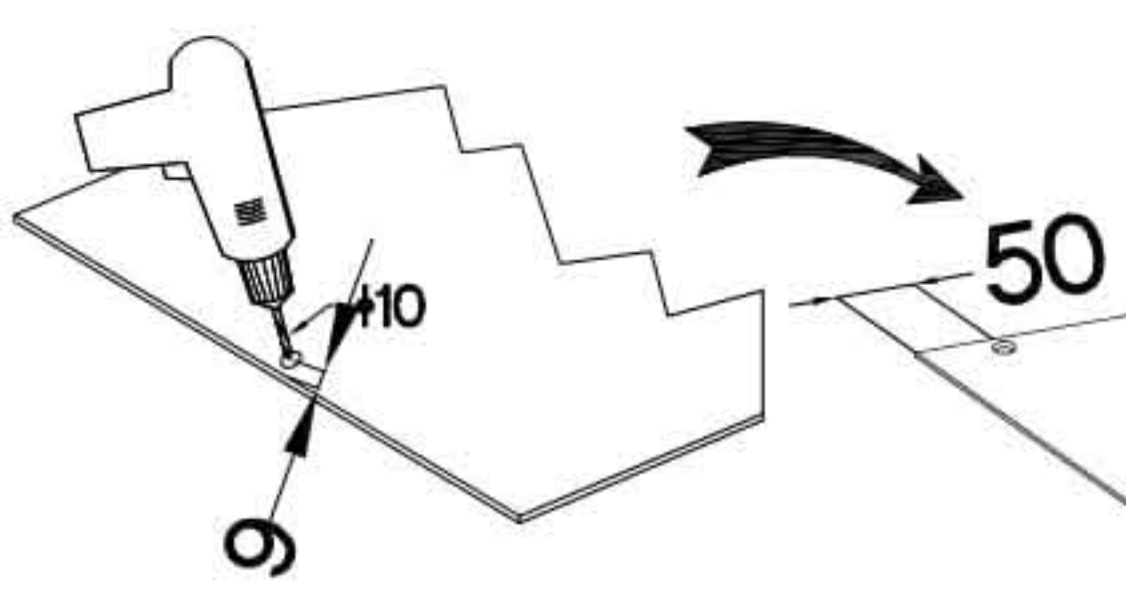


9



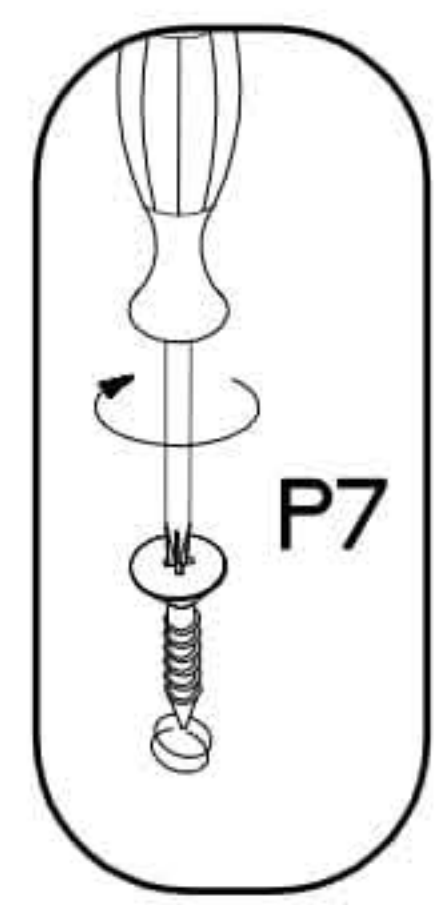
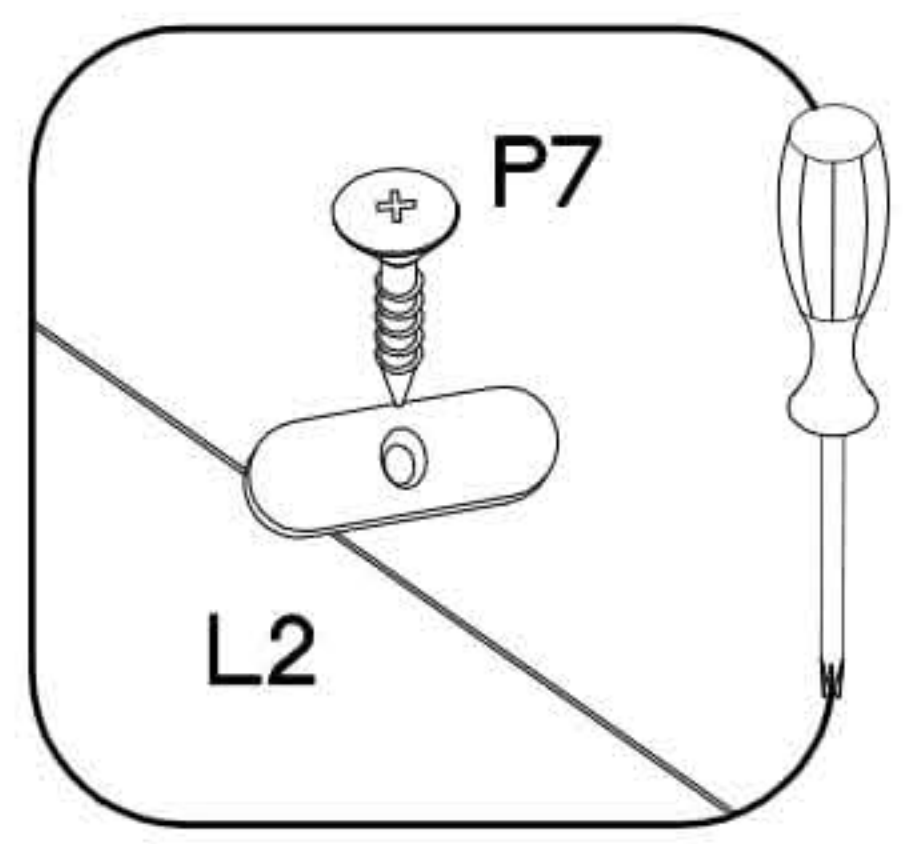
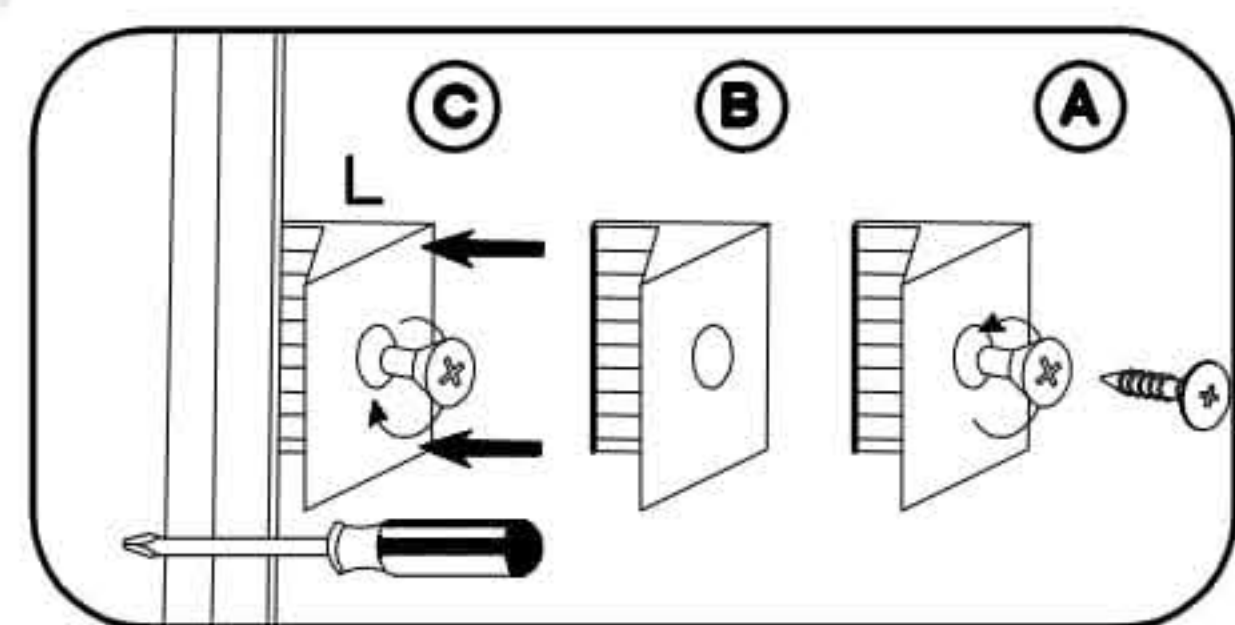
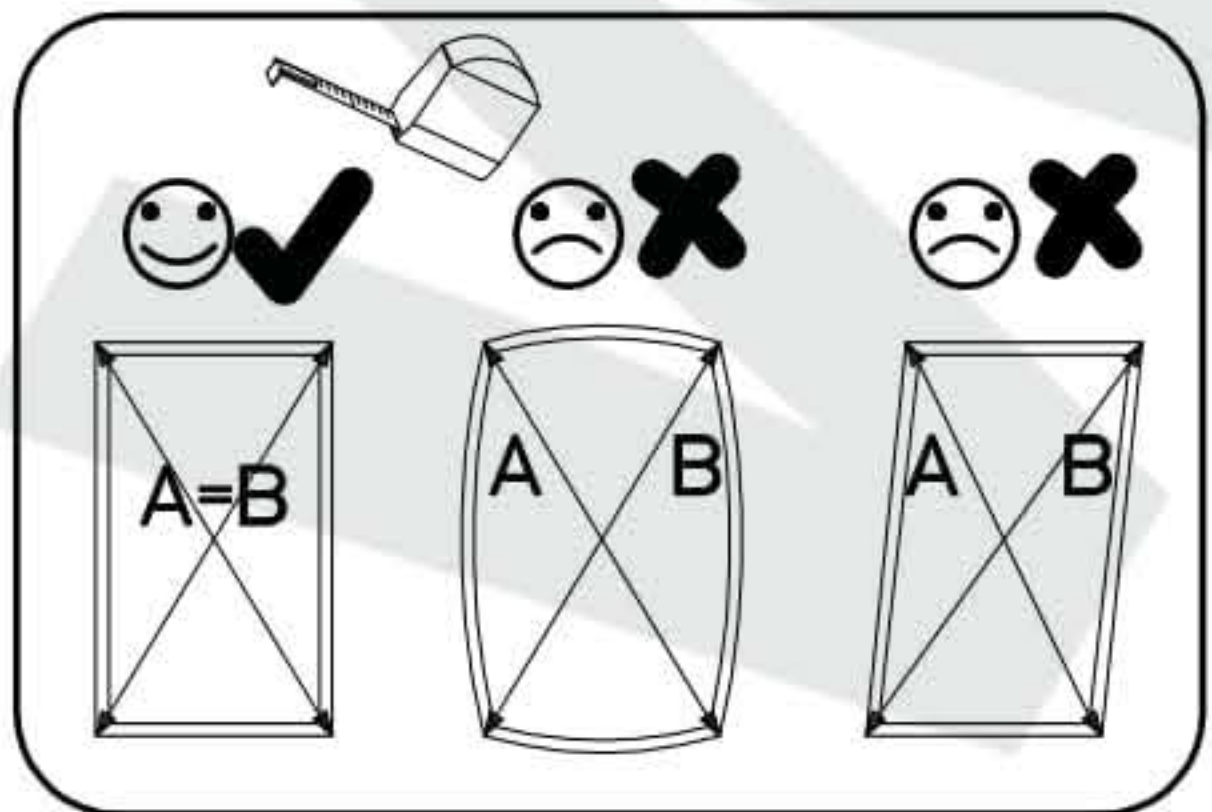
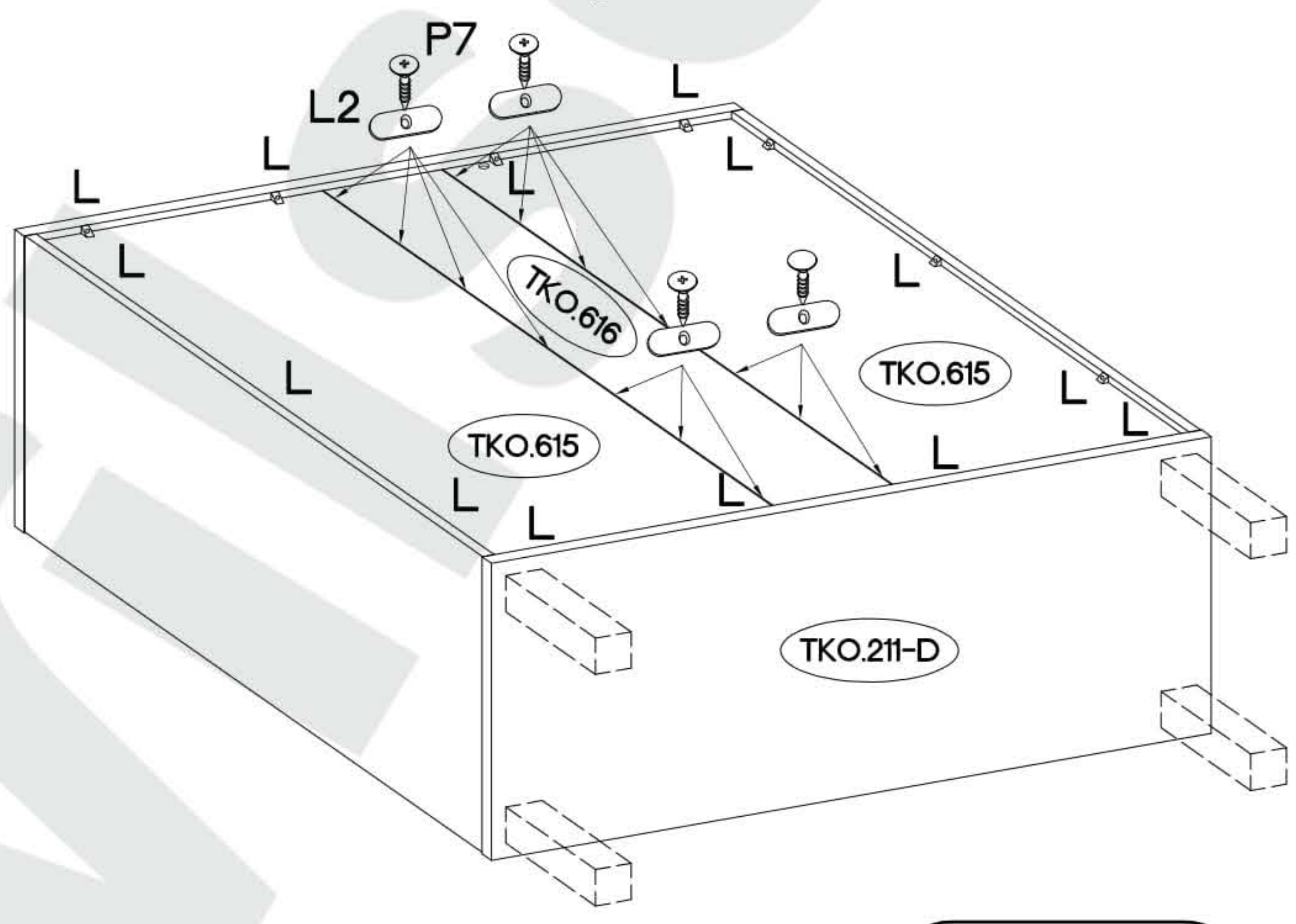
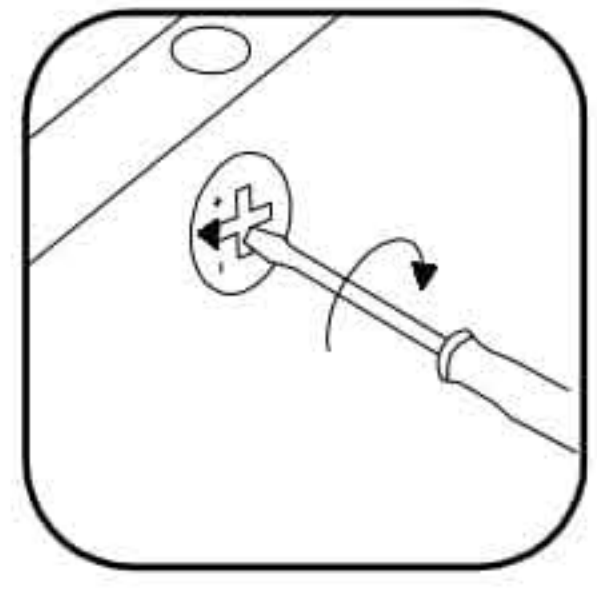
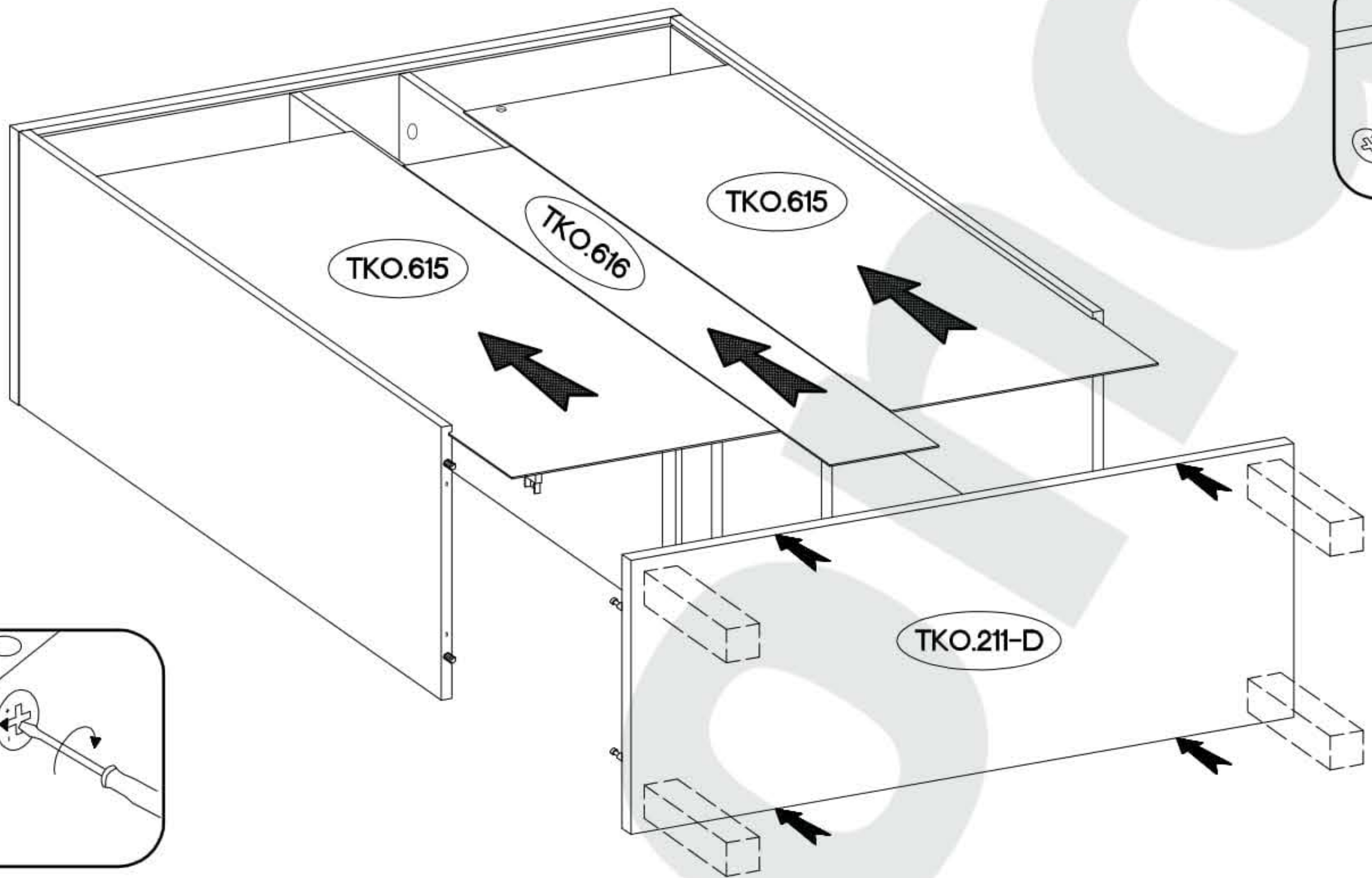
10

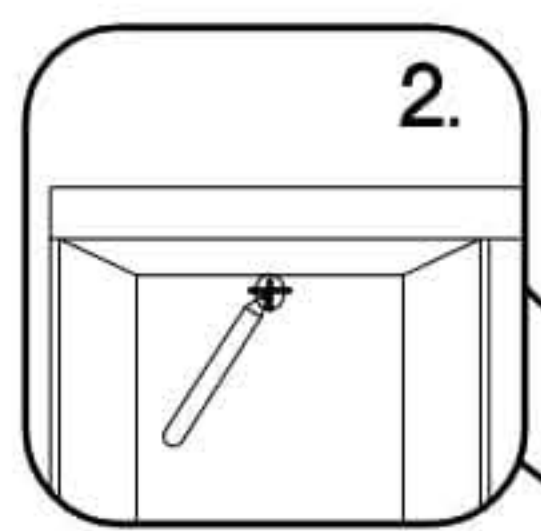







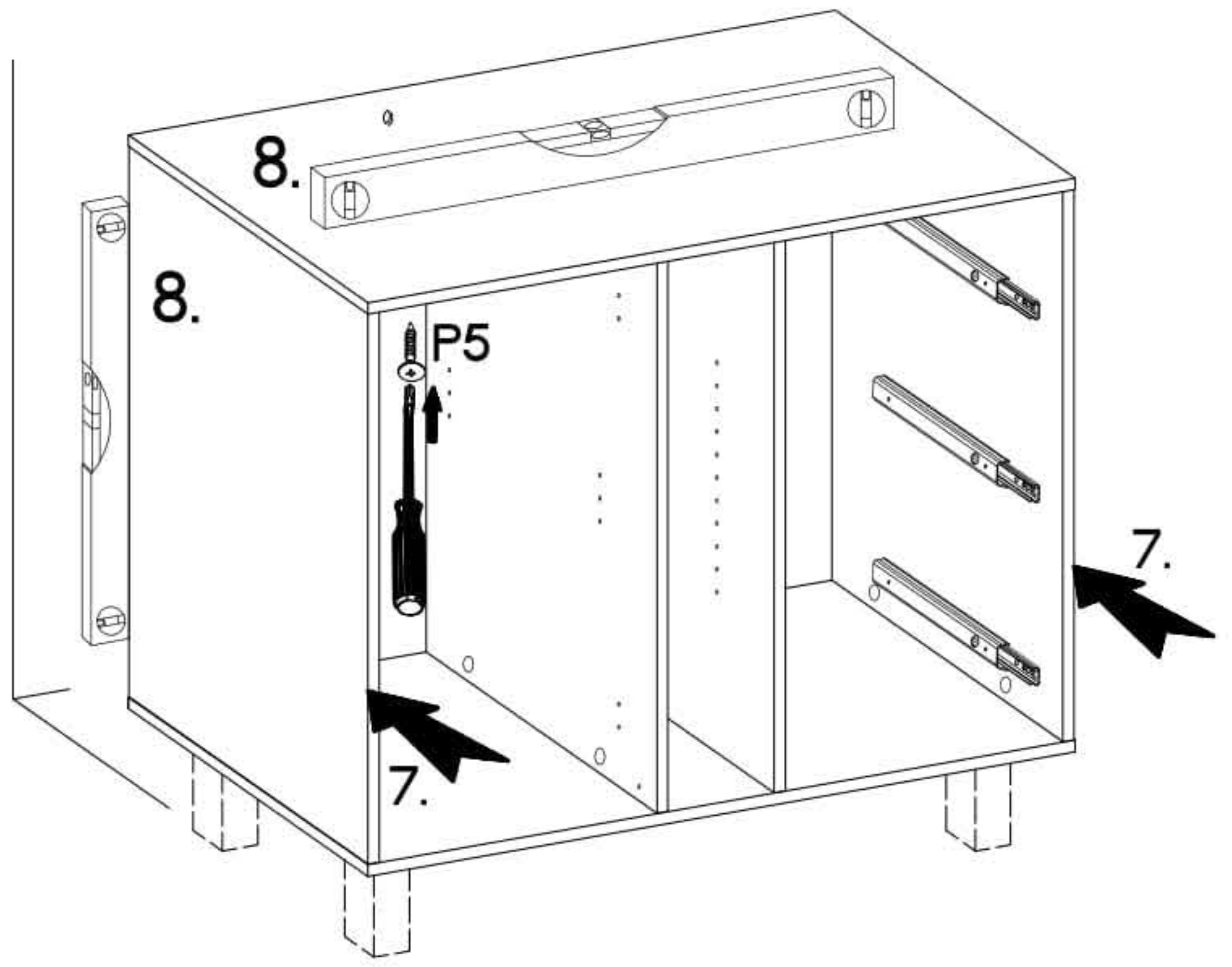
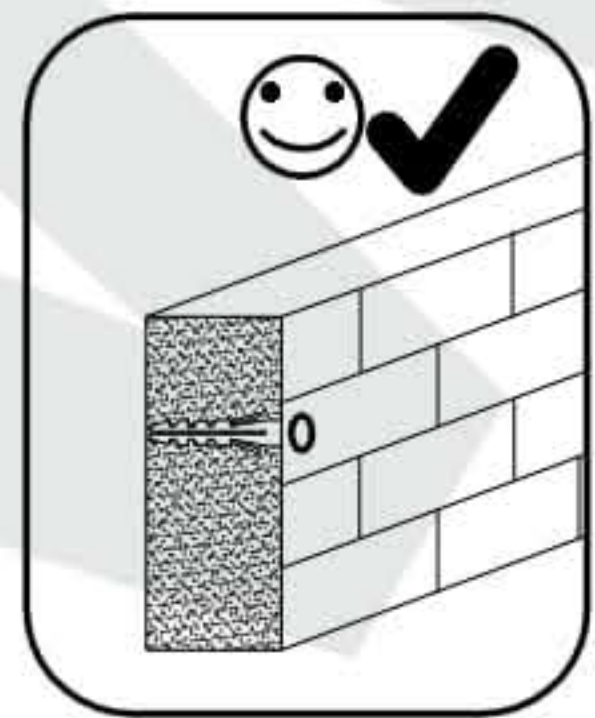
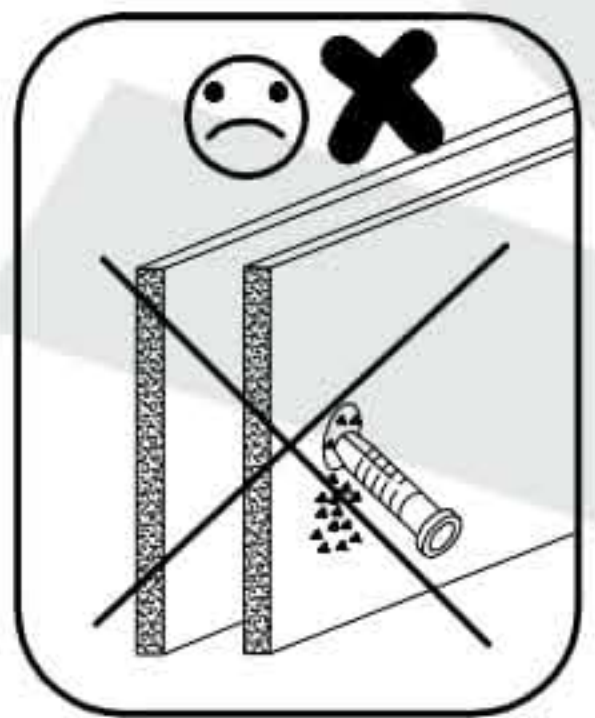
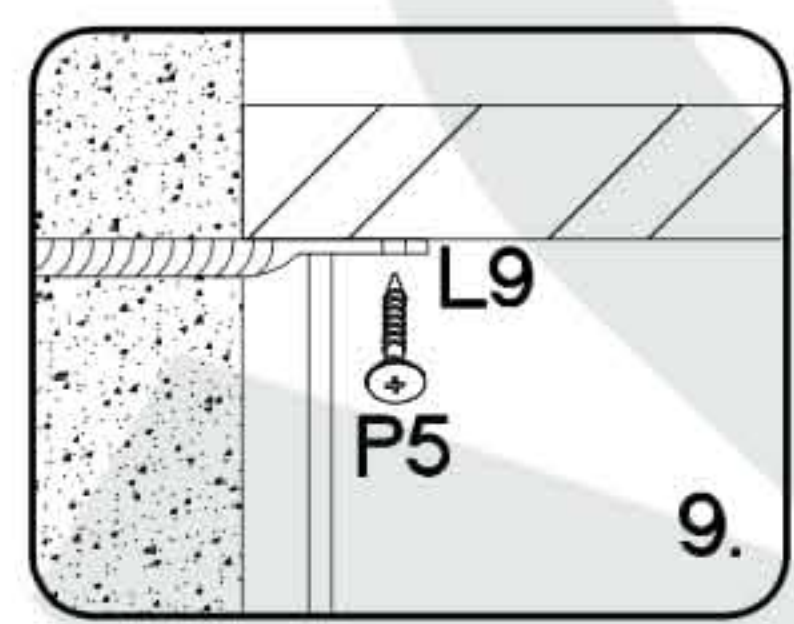
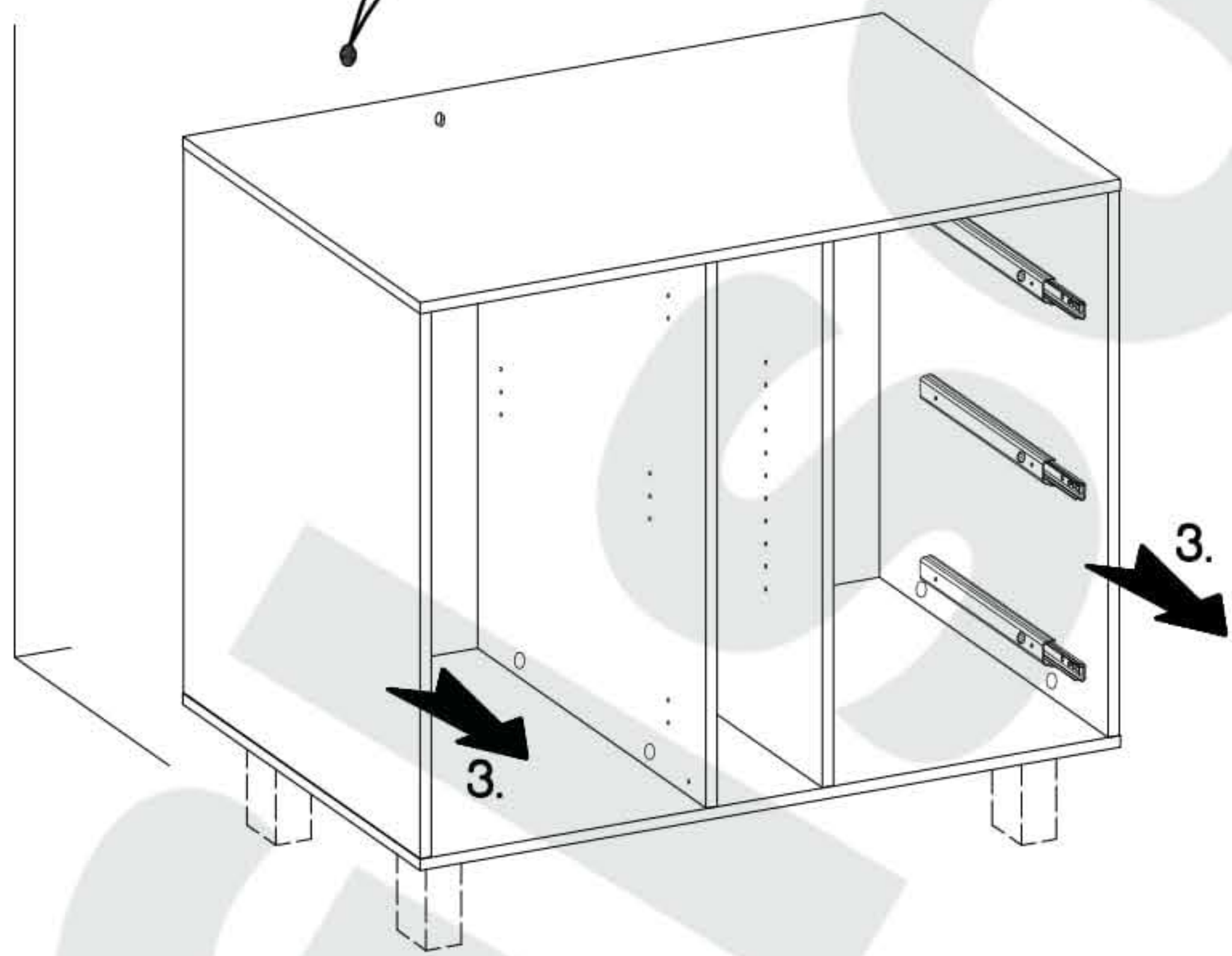
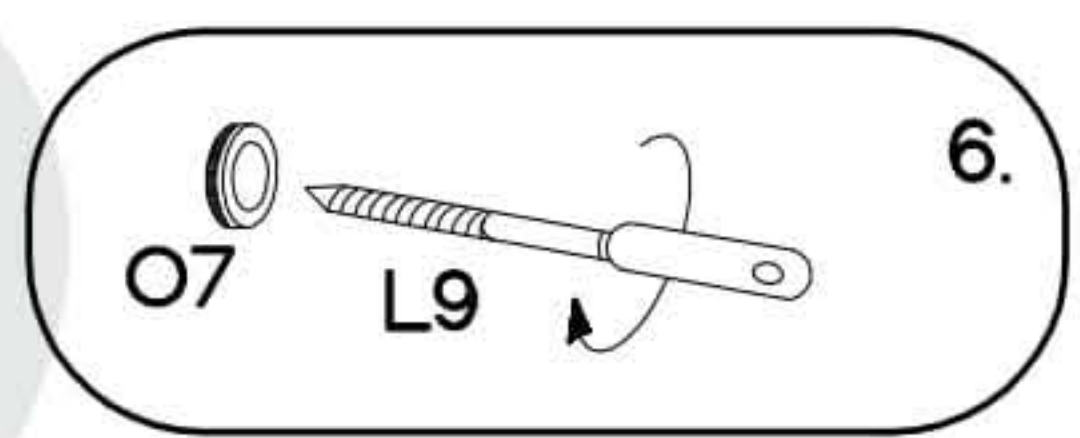
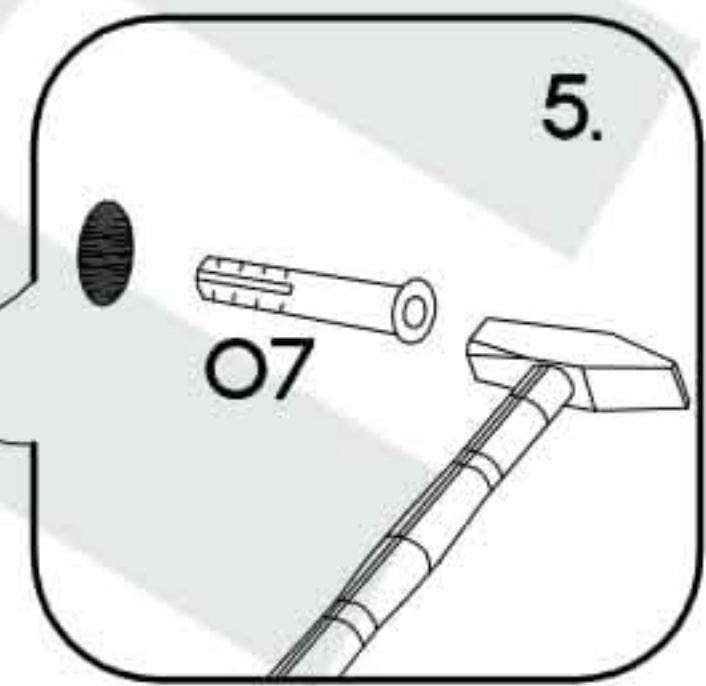
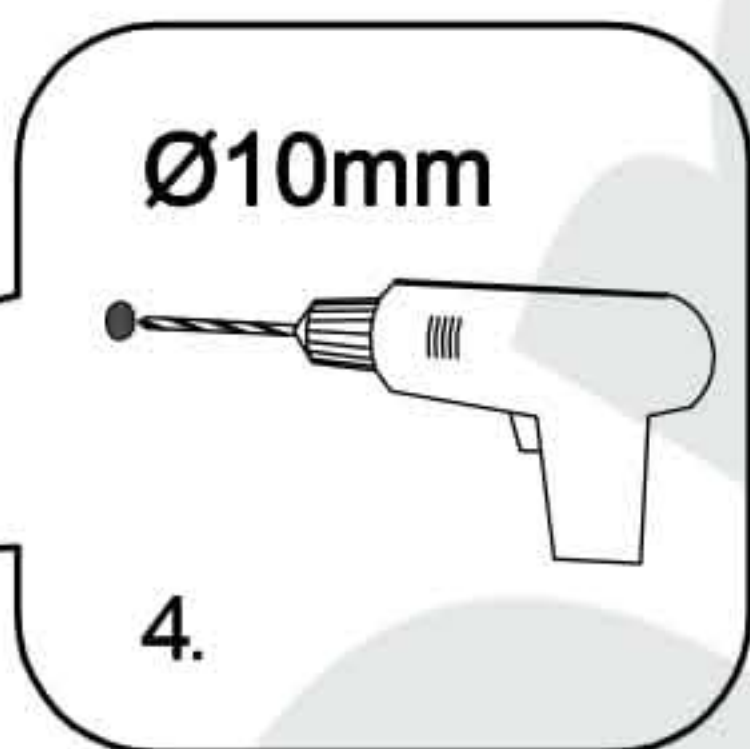
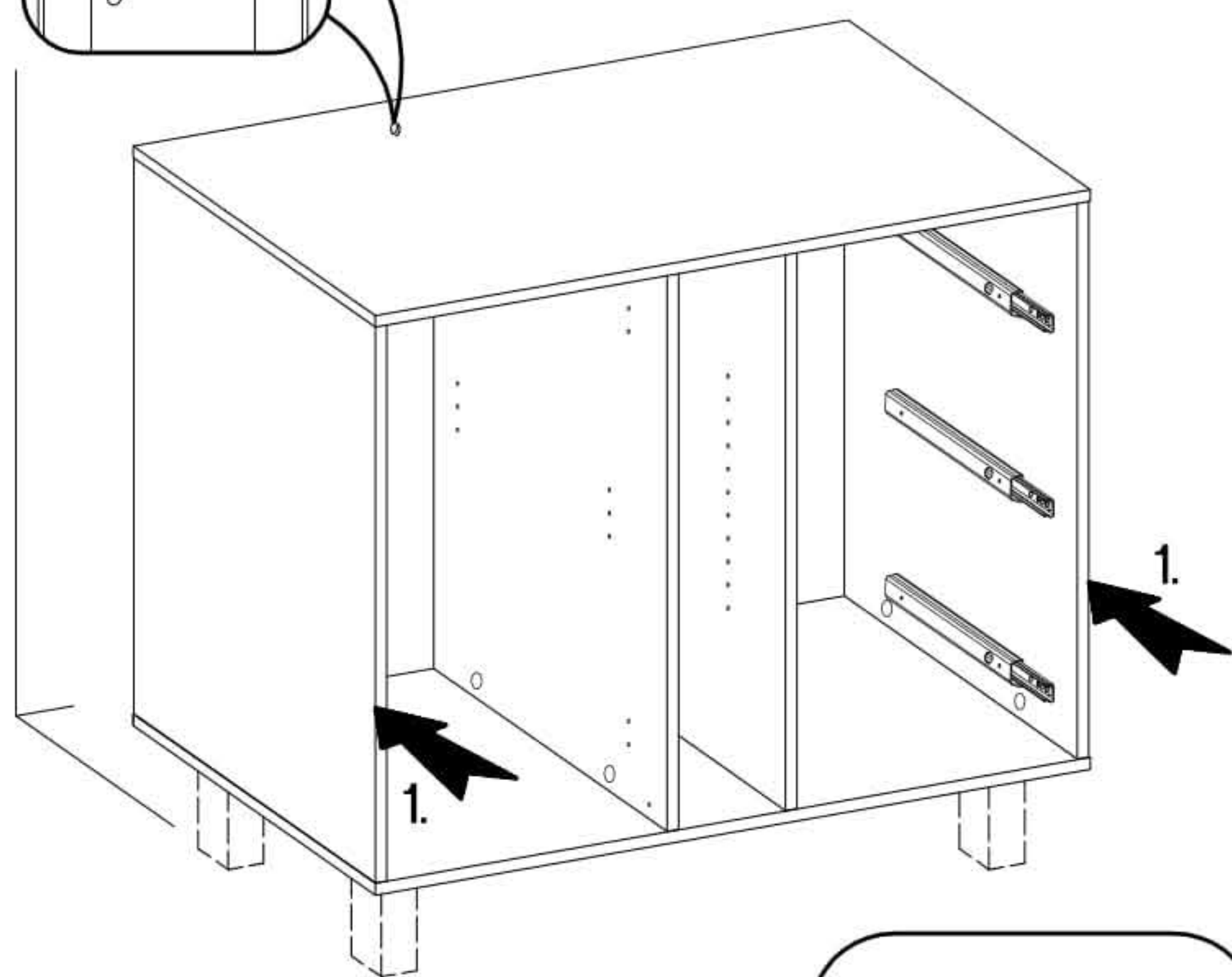
+3.0x20mm		
P7	L2	L
14	14	14

TKO.615 **x1**

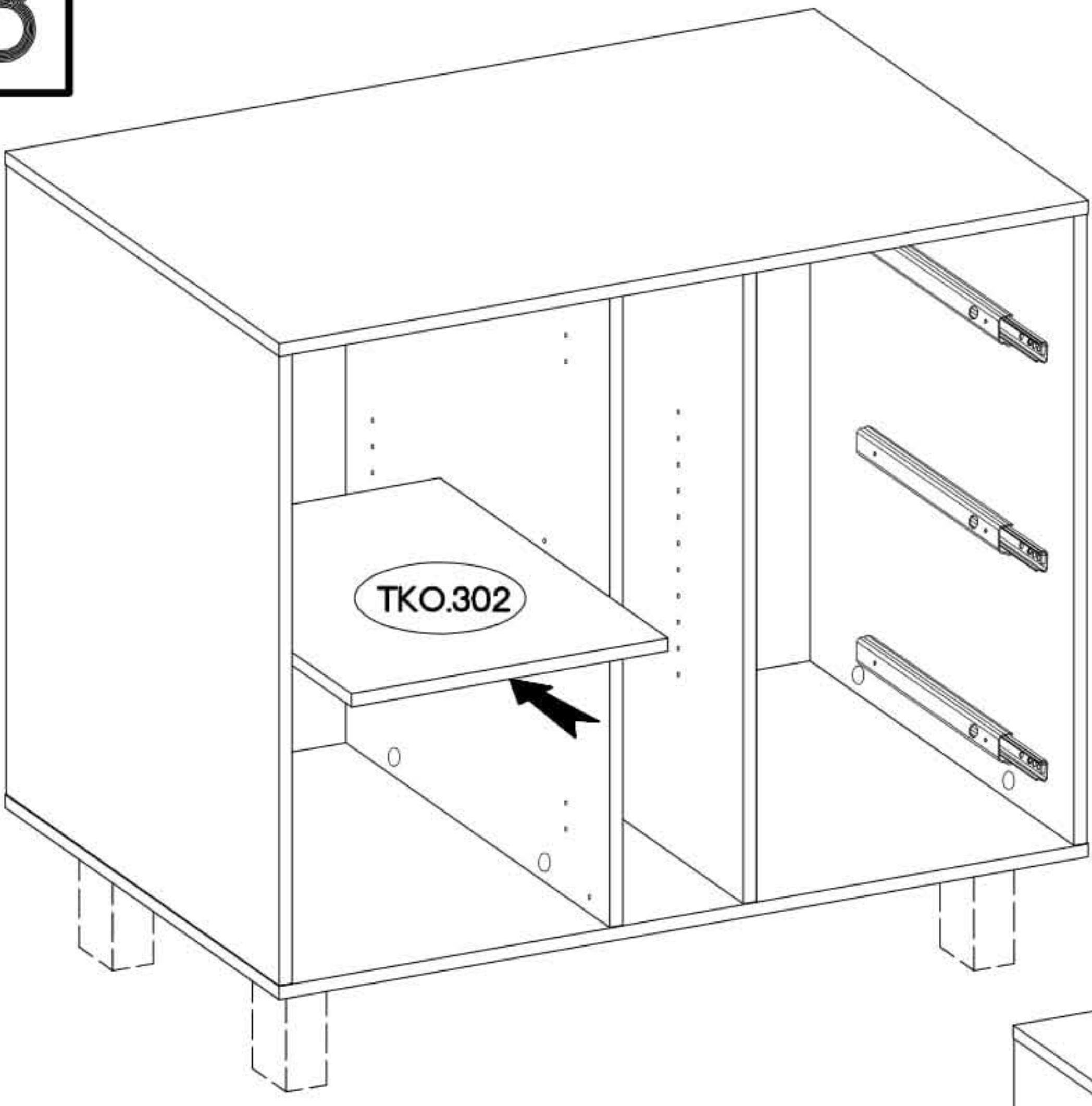


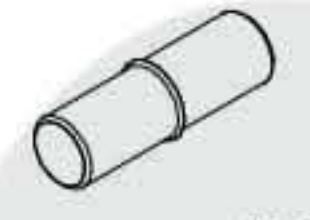


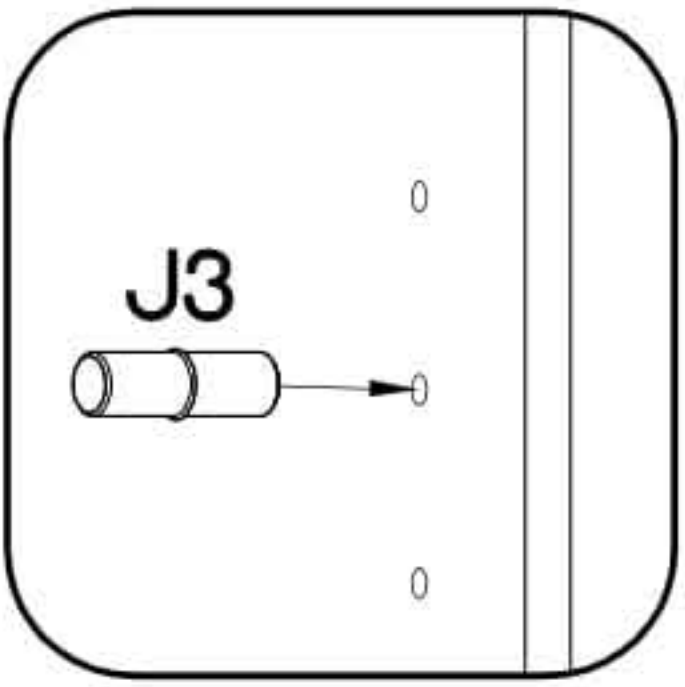
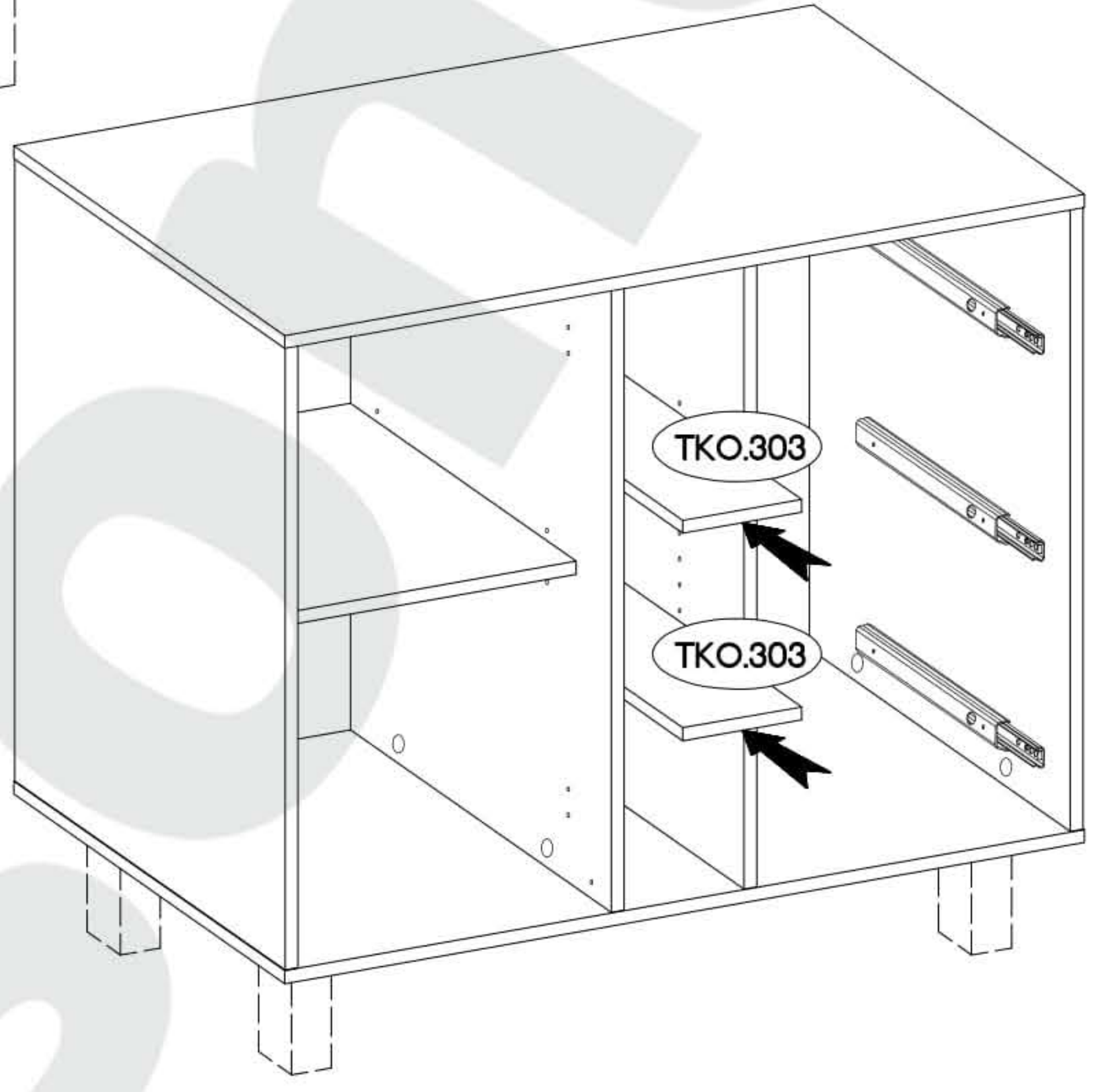
$\varnothing 10 \times 50 \text{mm}$  O7 1	$\varnothing 3.5 \times 13 \text{mm}$  L9 1	$\varnothing 3.5 \times 13 \text{mm}$  P5 1
---	--	--





13

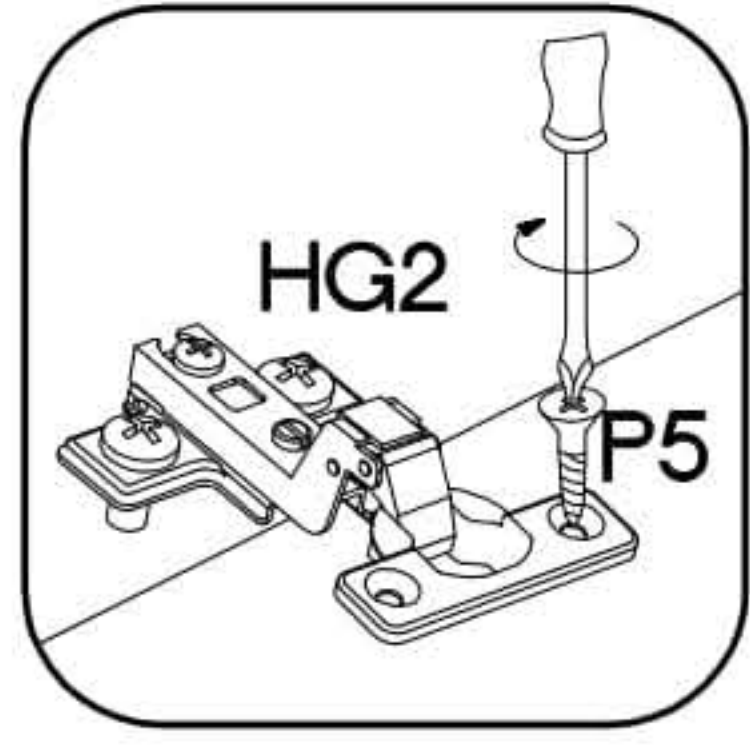
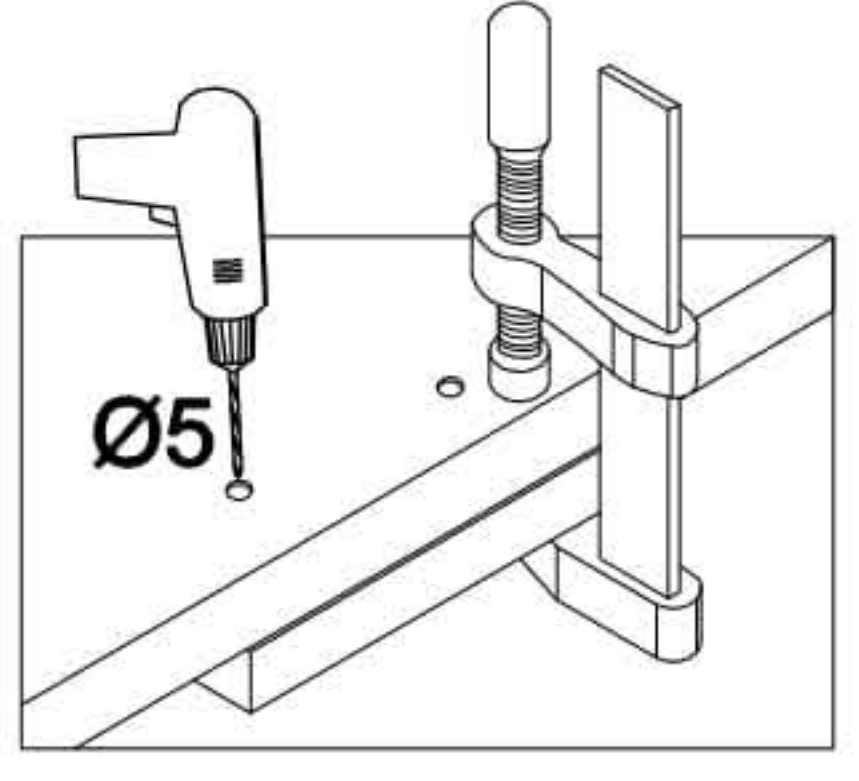
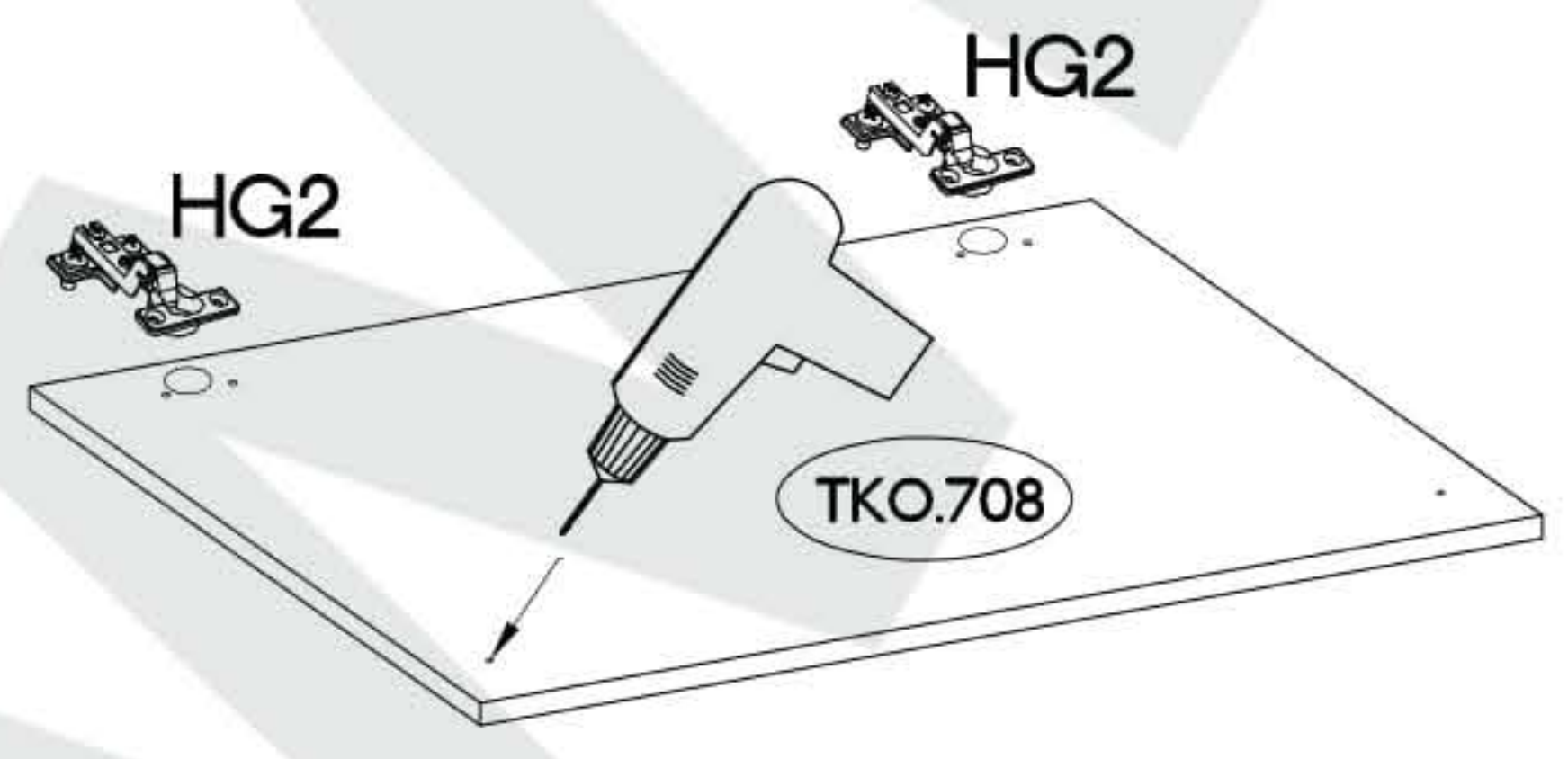


±5/16mm

J3
12

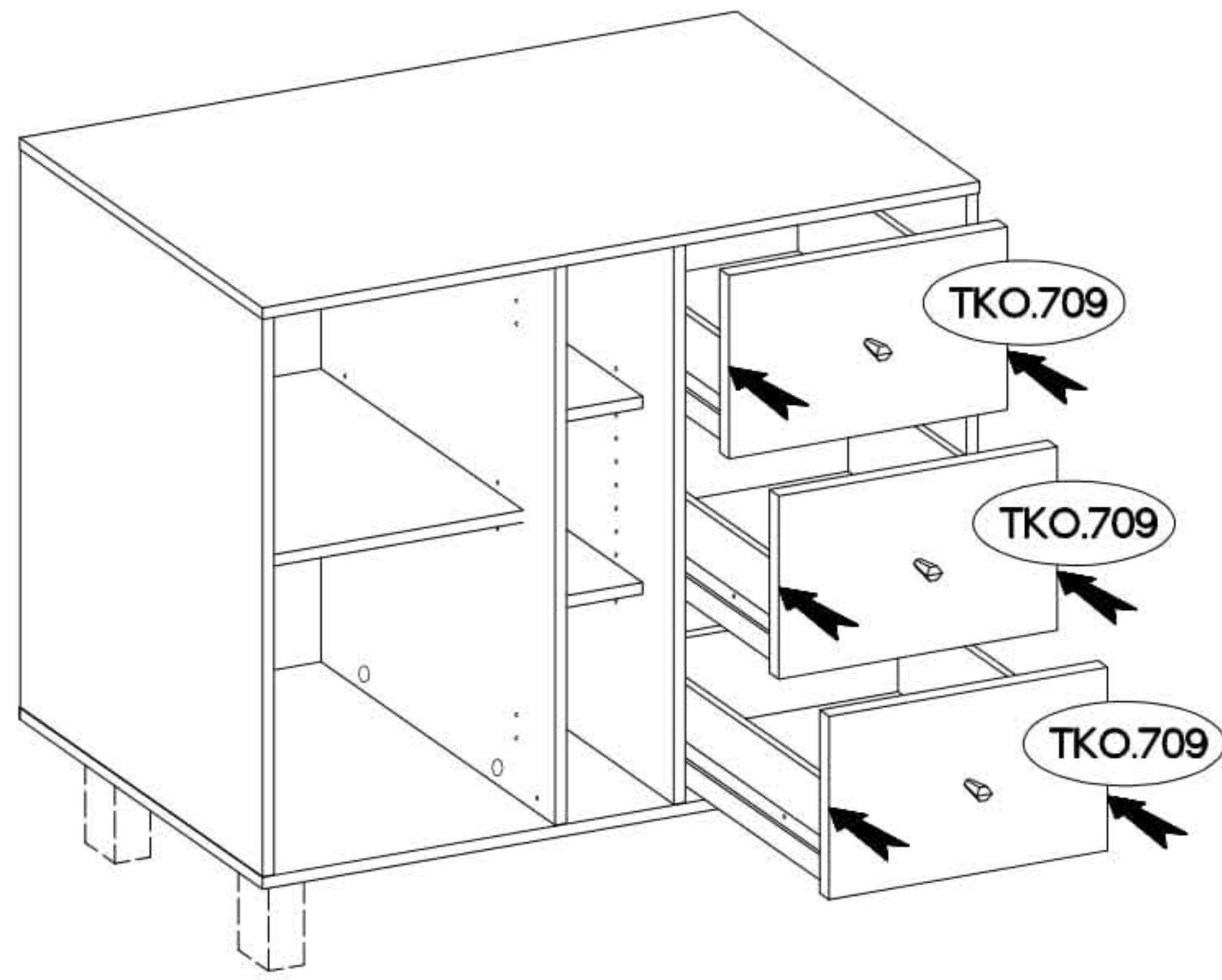


14

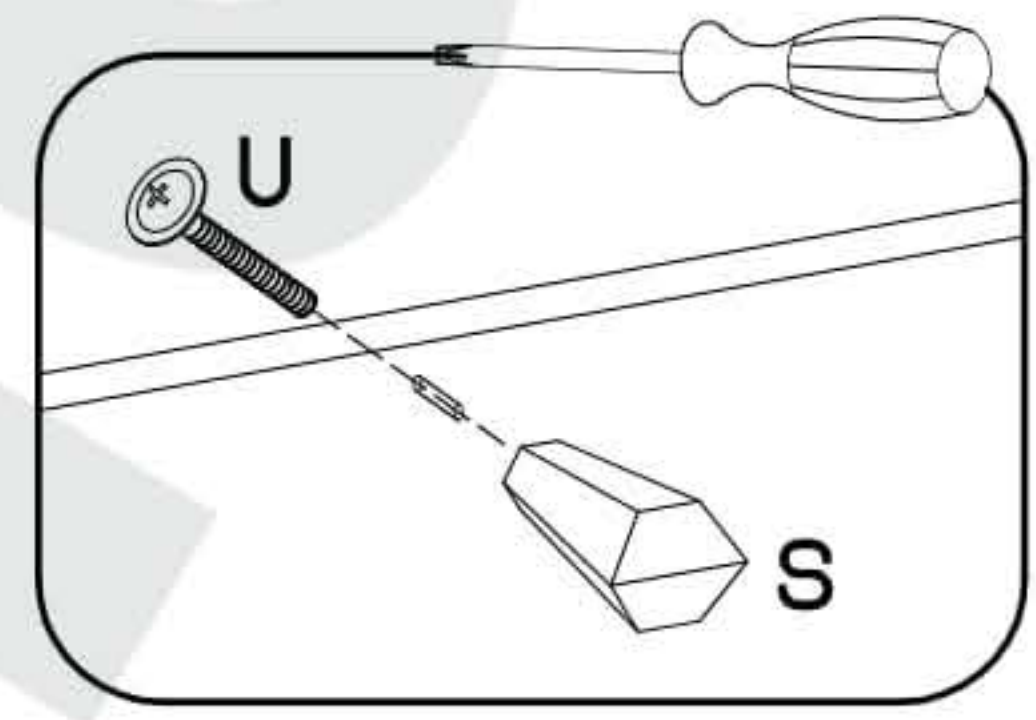
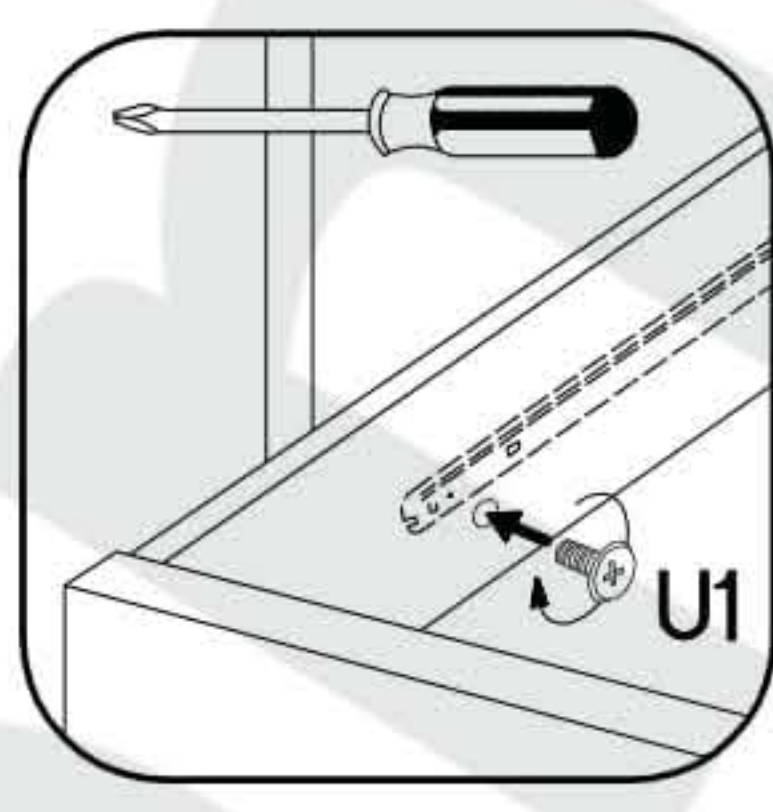
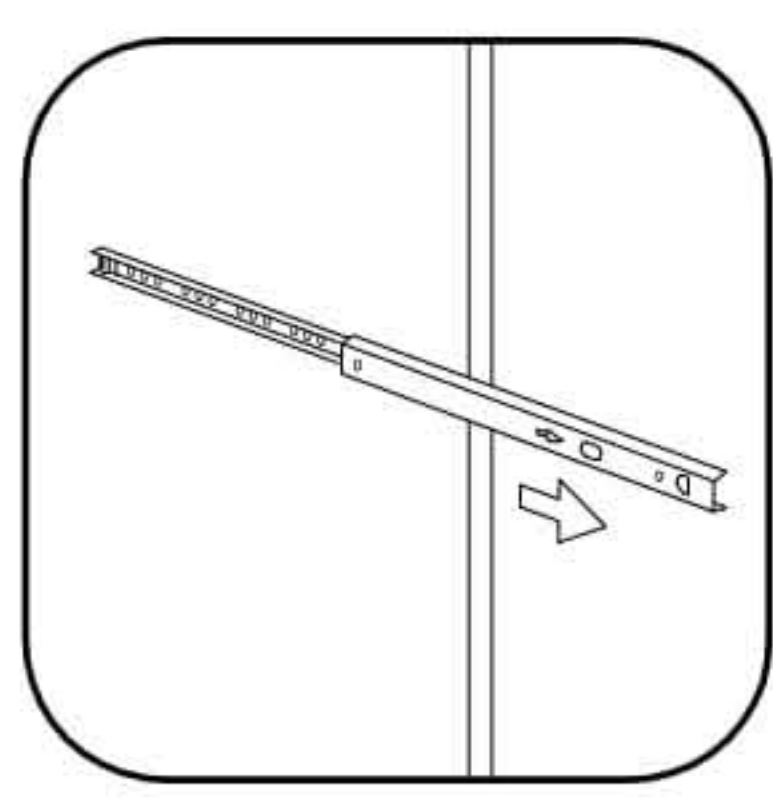
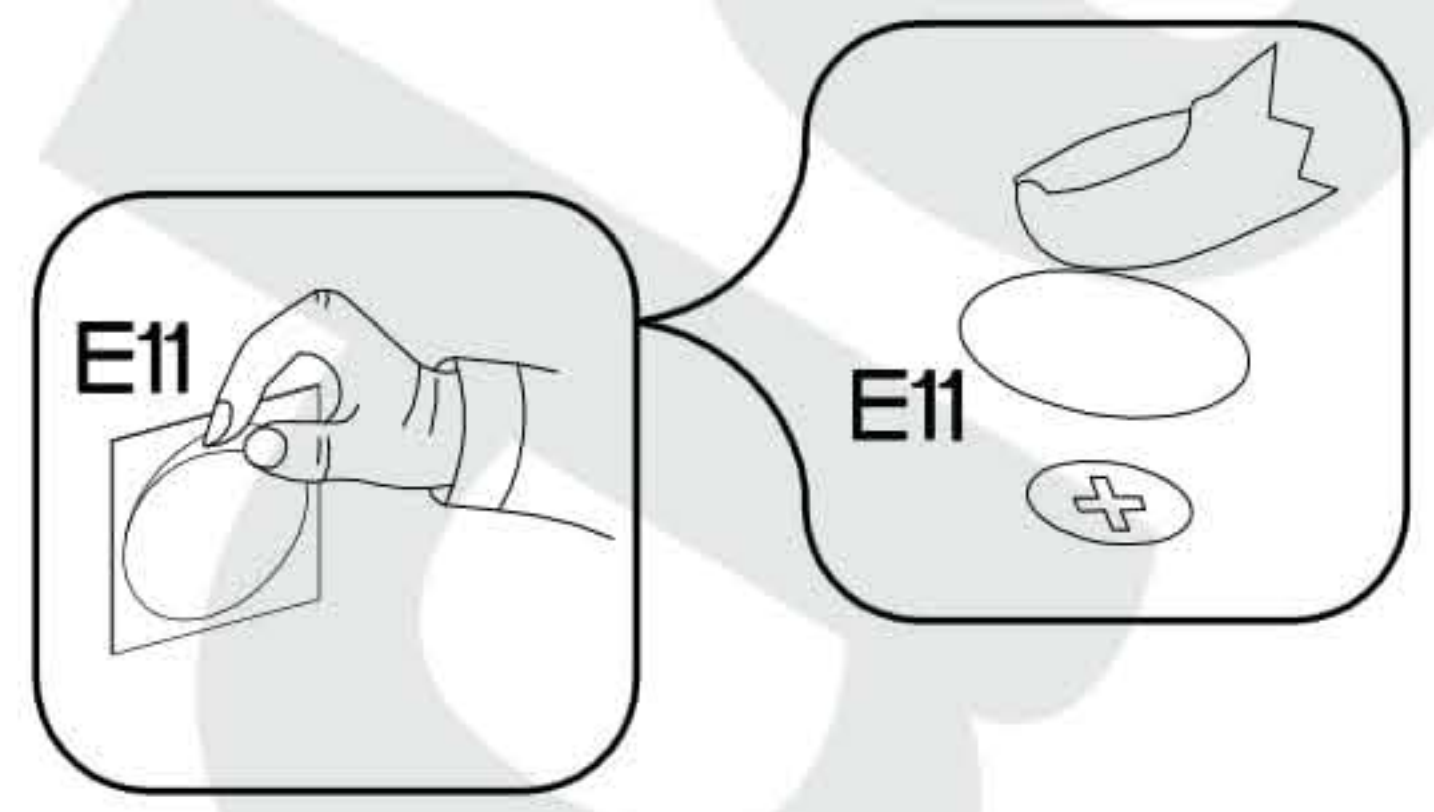
±35/16mm	±3.5x13mm
	
HG2	P5
2	4



15



$\varnothing 20$ 	M4x9mm 	M4x22mm 	M4x22mm
E11	U1	S	U
8	6	3	3



16

	M4x22mm 	
S	U	J12
1	1	1

