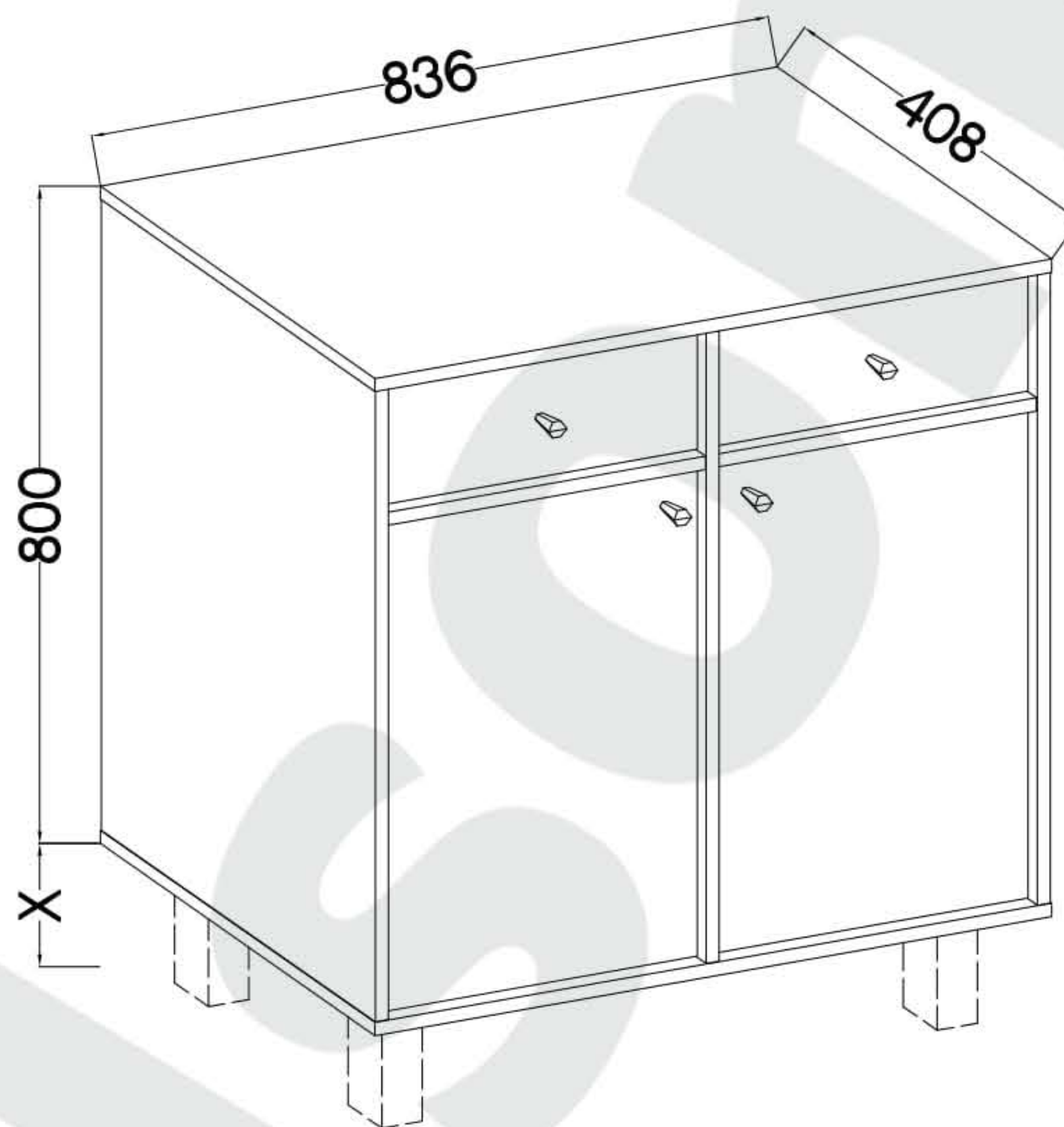
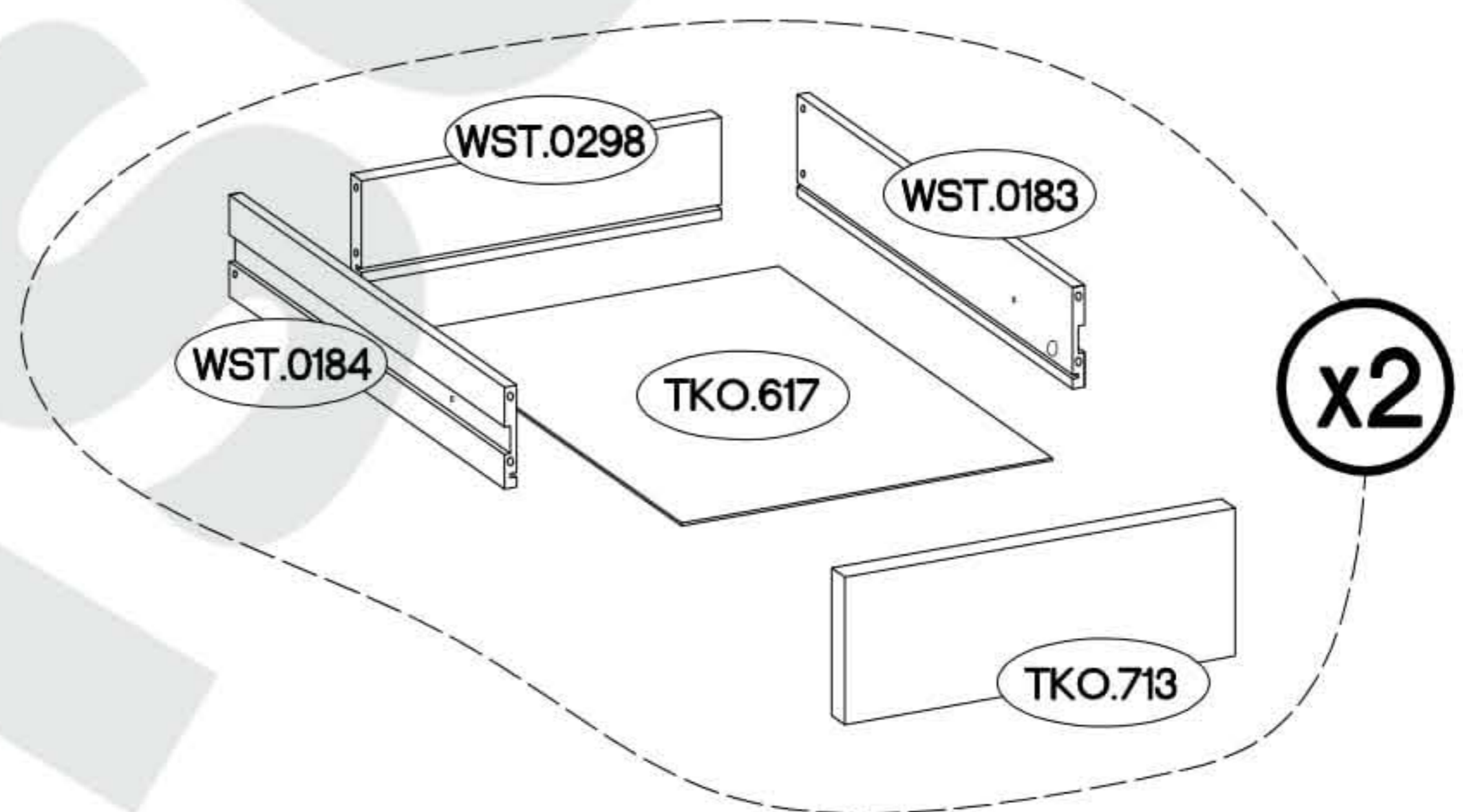
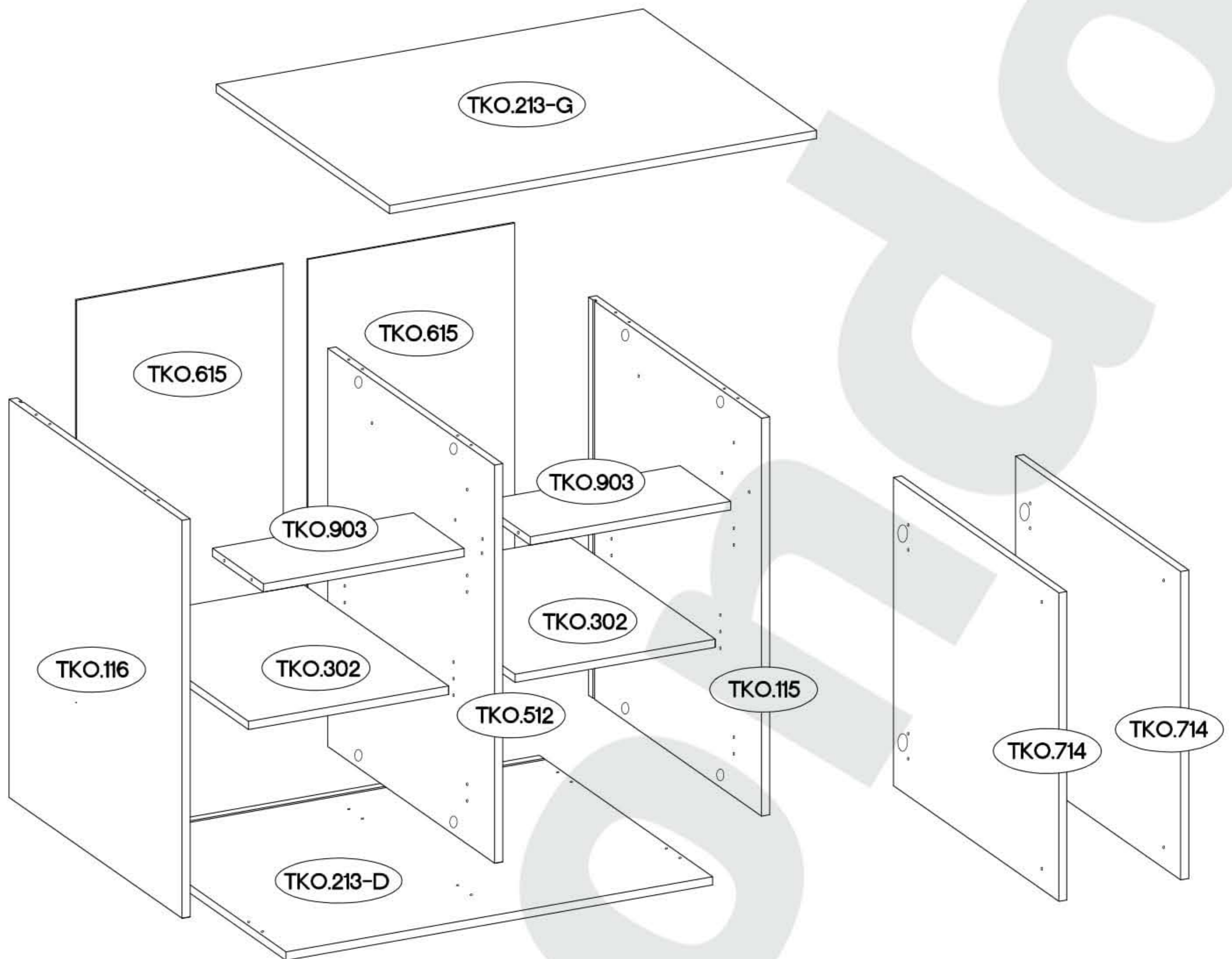


TYP 826

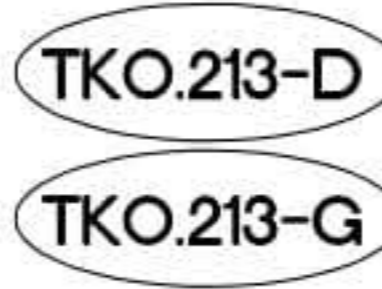
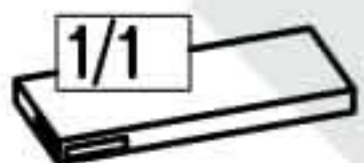


†8x30mm A 24	†6x42mm B2 4	†15/12mm C 16	†12/10mm C5 4	L=20mm D2 18	L=56mm D4 1	†20 E11 10	†35/16mm HG2 4	27/310mm I4 2	†5/16mm J3 8	
 J12 2	 L 18	 L2 7	 L9 1	†6,3x13mm M2 8	†10x50mm O7 1	†3.5x13mm P5 9	†3.0x20mm P7 7	 S 4	M4x22mm U 4	M4x9mm U1 4


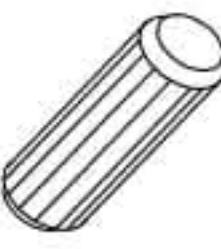
ISM-TKO-014

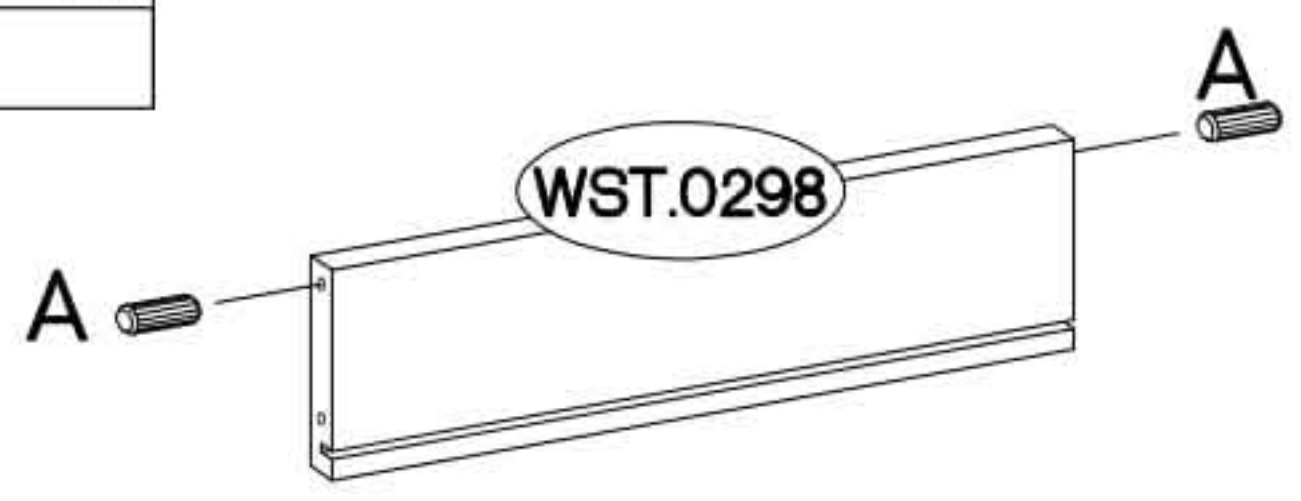


	Ersatzteil Nummer	Dimension
	TKO.115	768x407x16
	TKO.116	768x407x16
	TKO.512	768x393x16
	TKO.213 x2	836x408x16
	TKO.903 x2	393x120x16
	TKO.302 x2	392x340x16
	TKO.615 x2	777x405x2,5
	TKO.617 x2	370x327x2,5
	WST.0183 x2	330x100x12
	WST.0184 x2	330x100x12
	WST.0298 x2	359x100x12
	TKO.713 x2	389x145x16
	TKO.714 x2	595x389x16

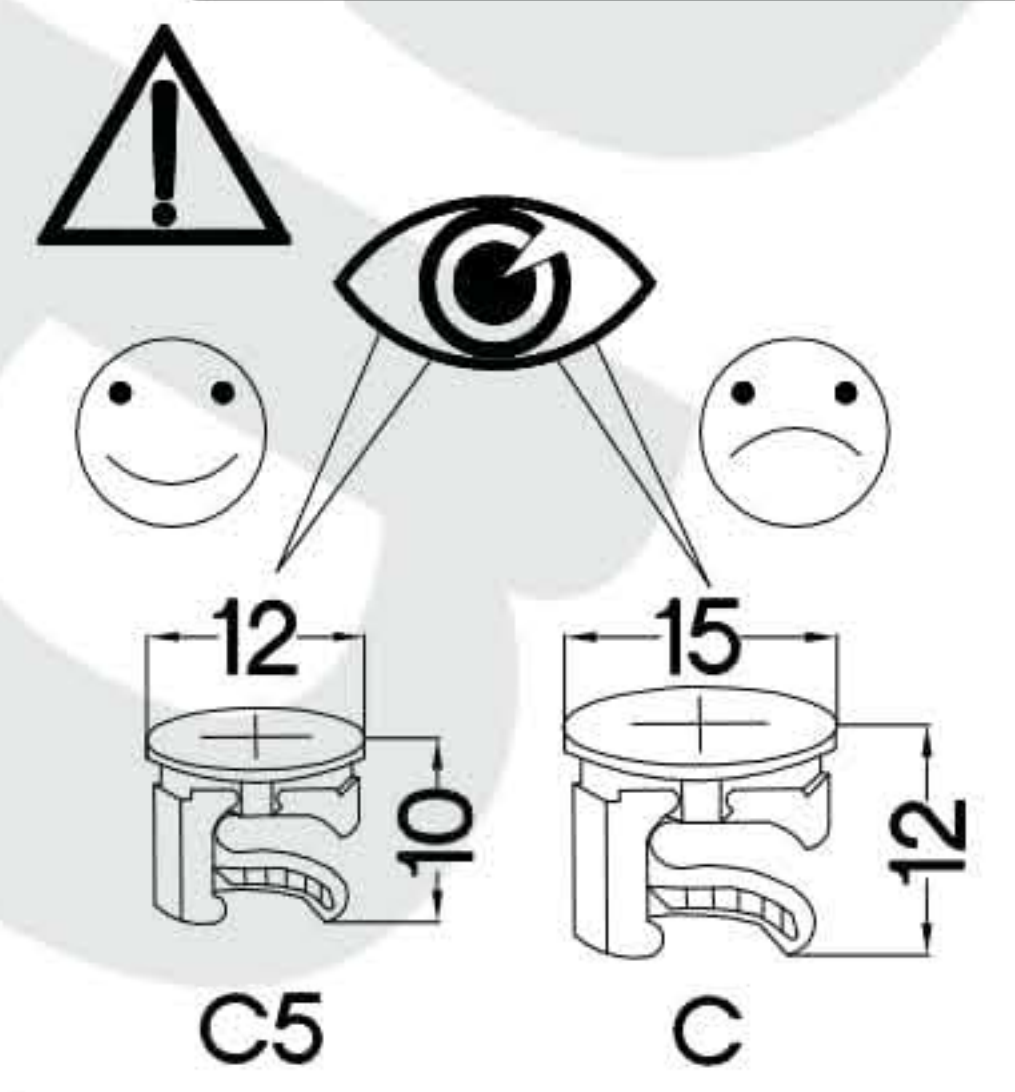
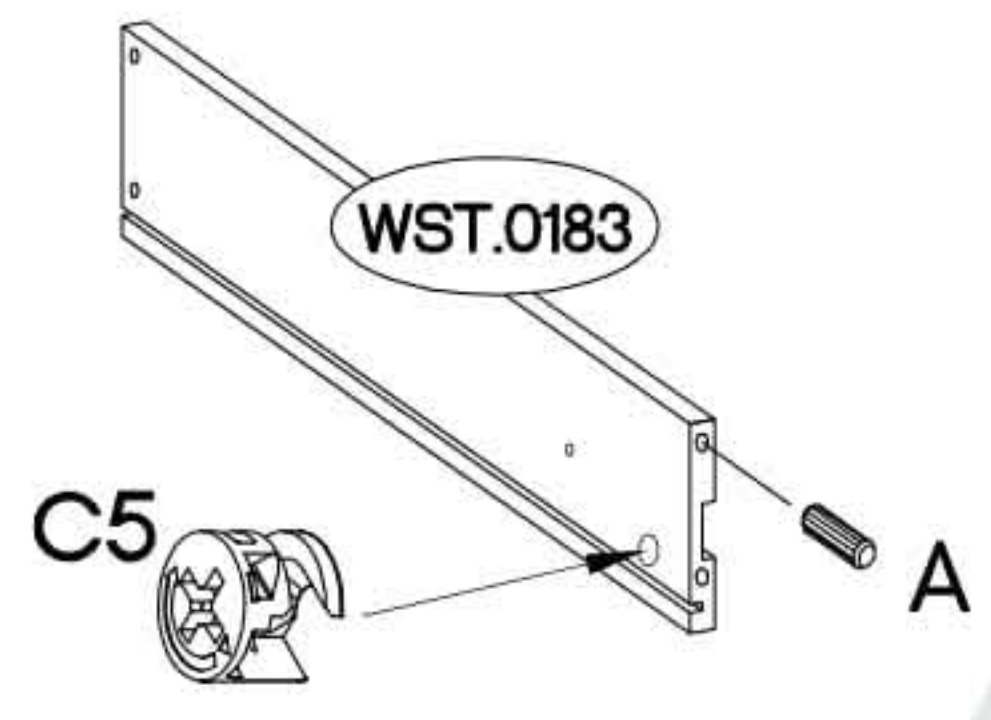
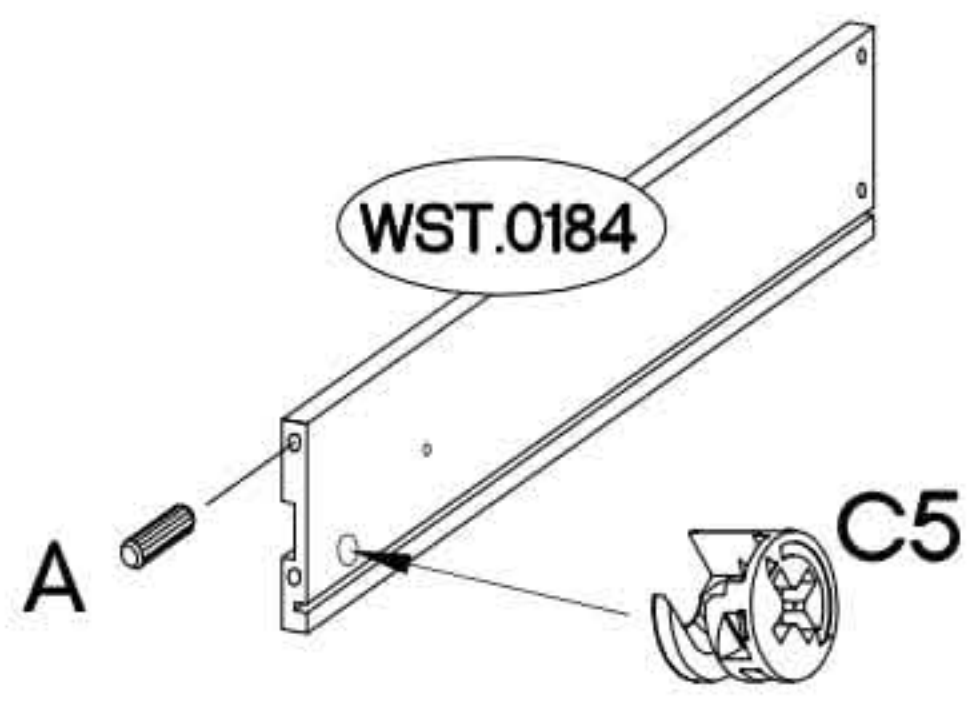
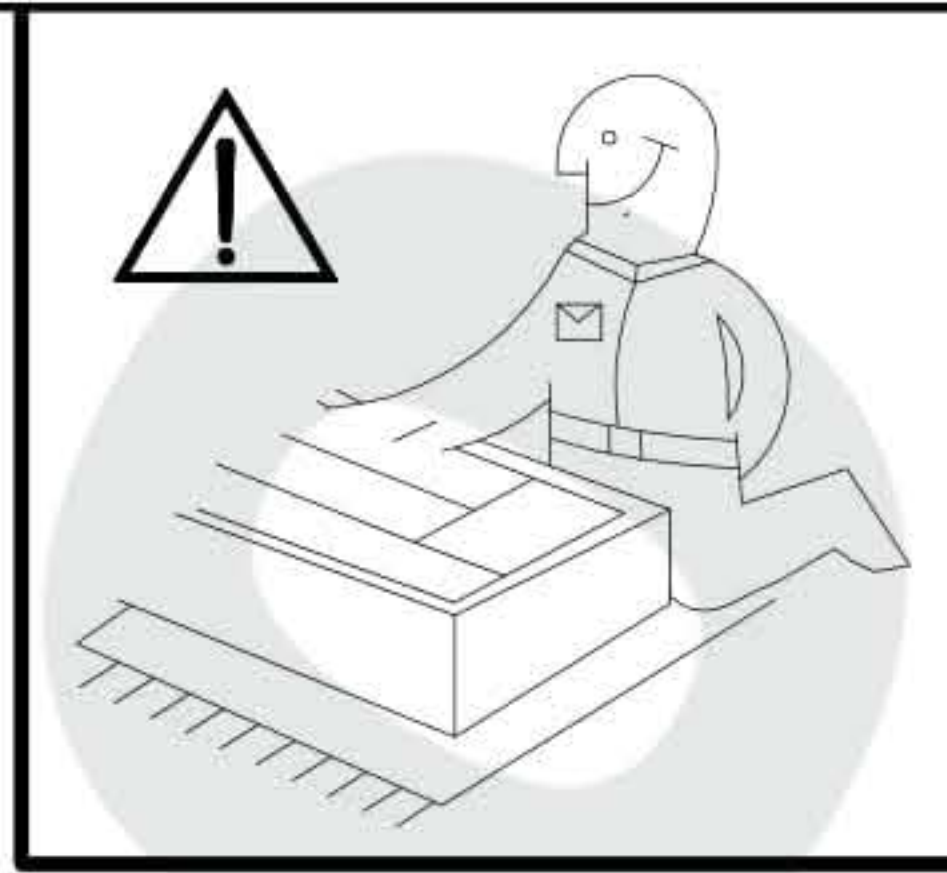


1

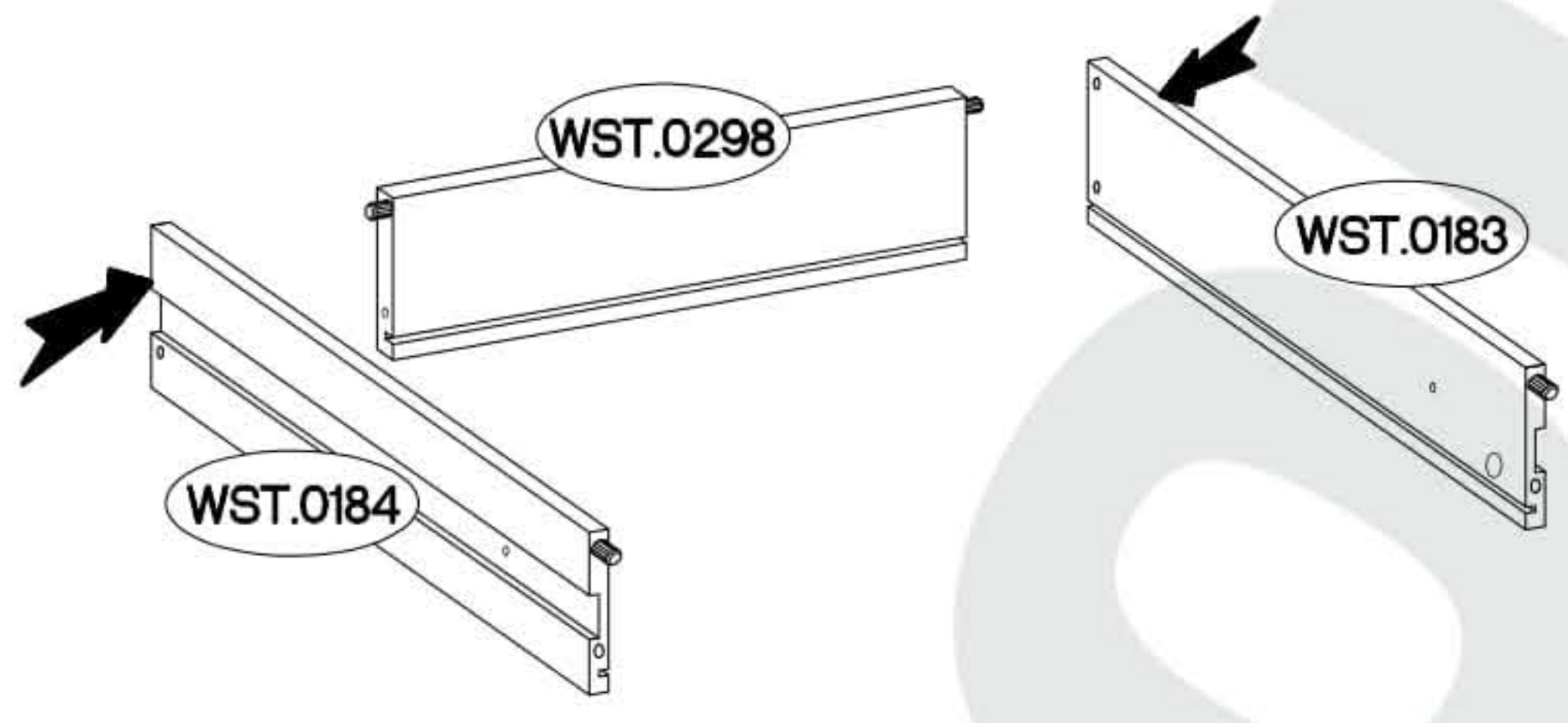
†12/10mm  C5 4	†8x30mm  A 8
--	--



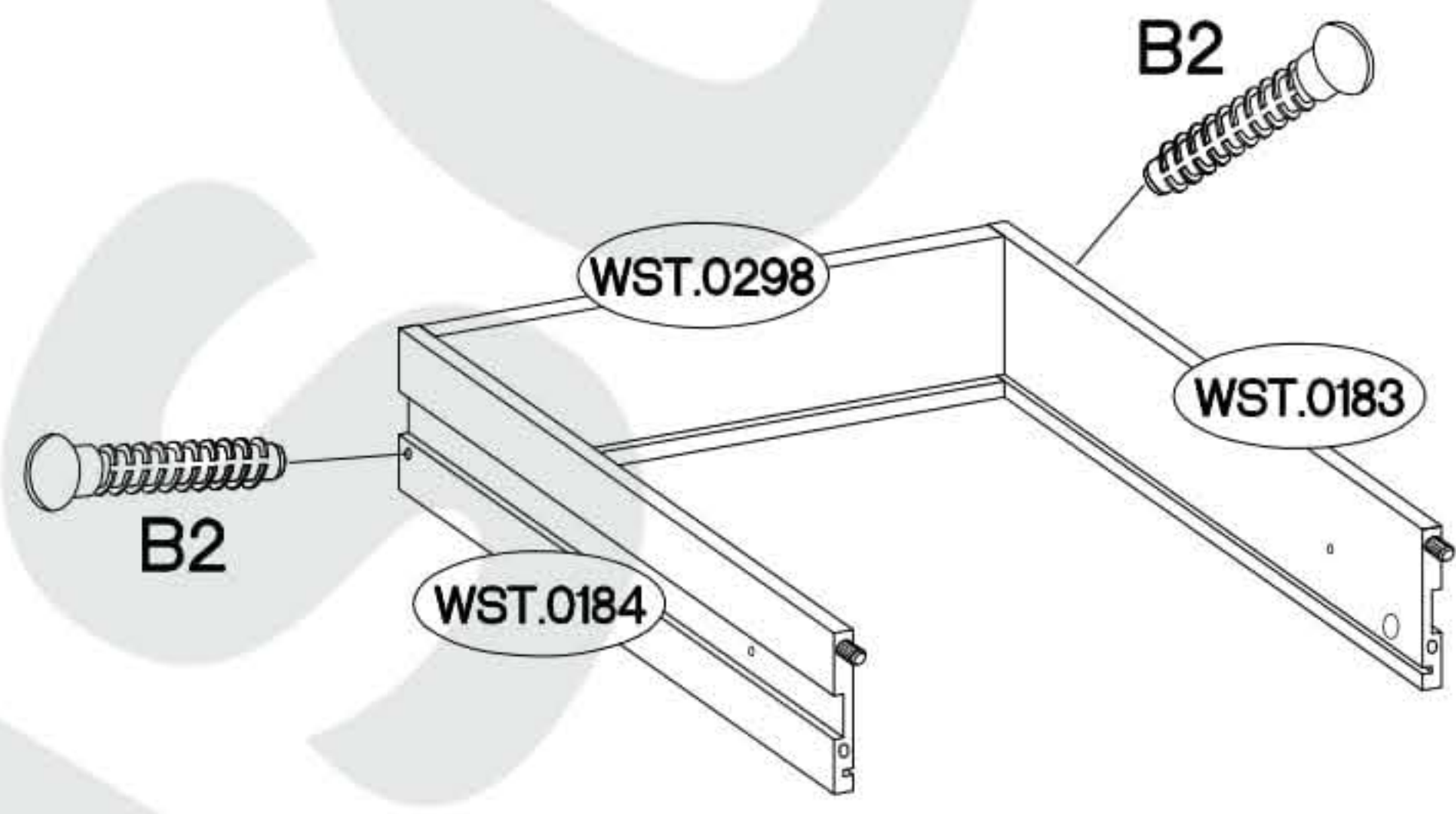
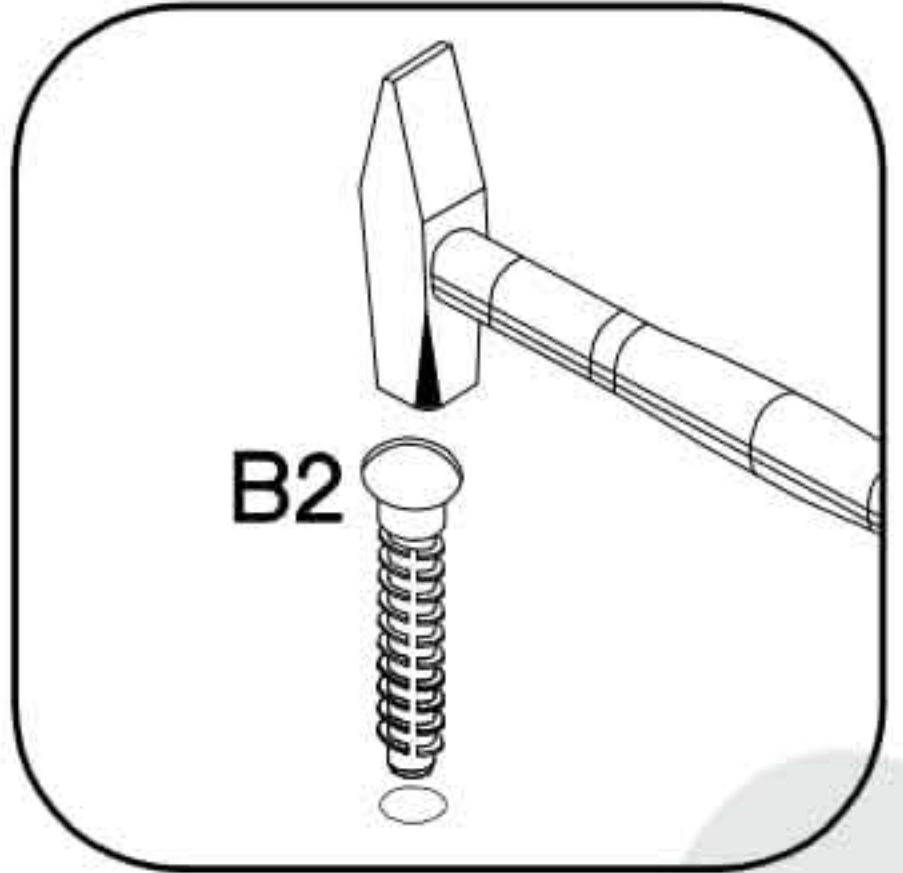
x2



2



†6x42mm  B2 4
--

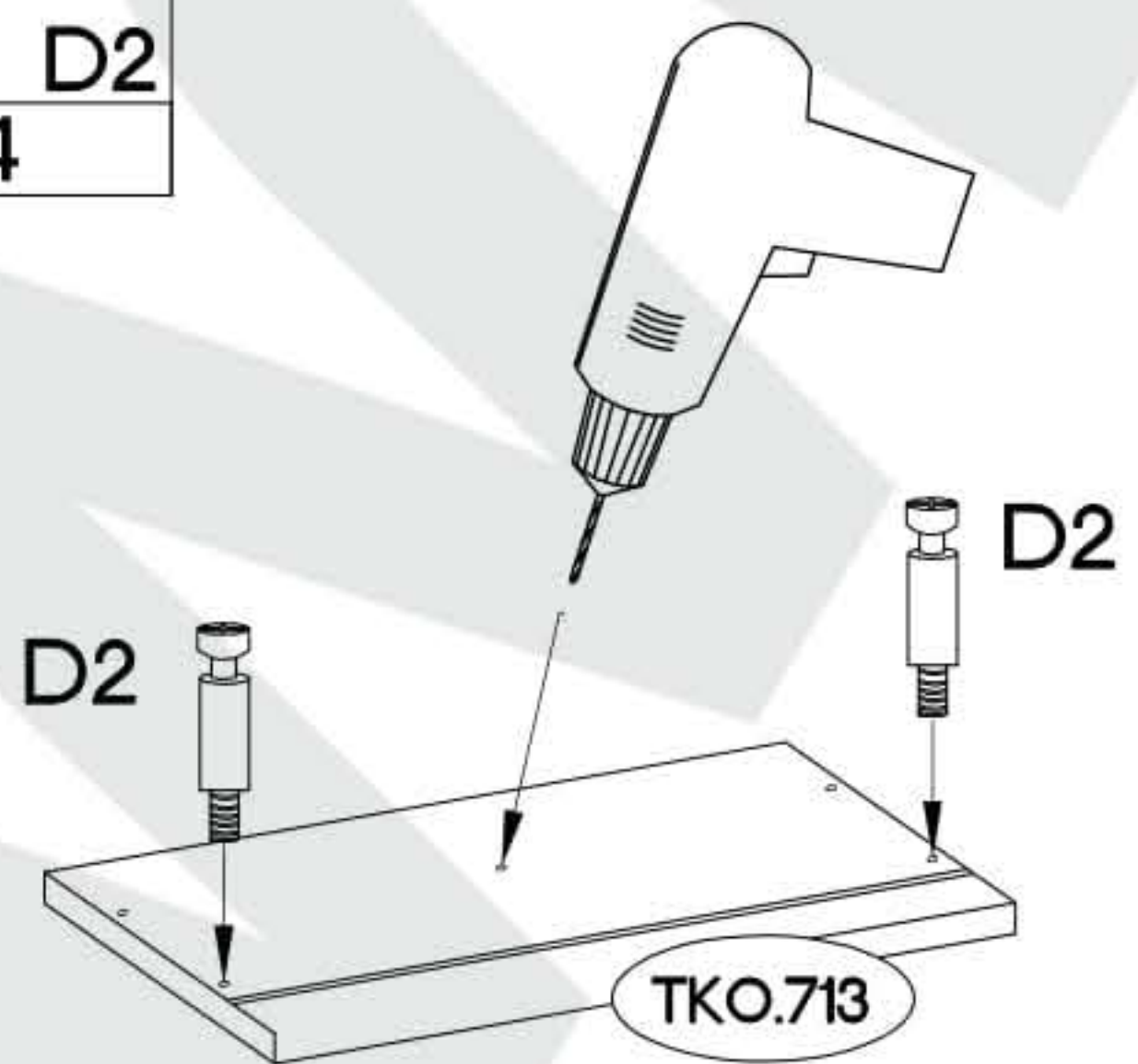
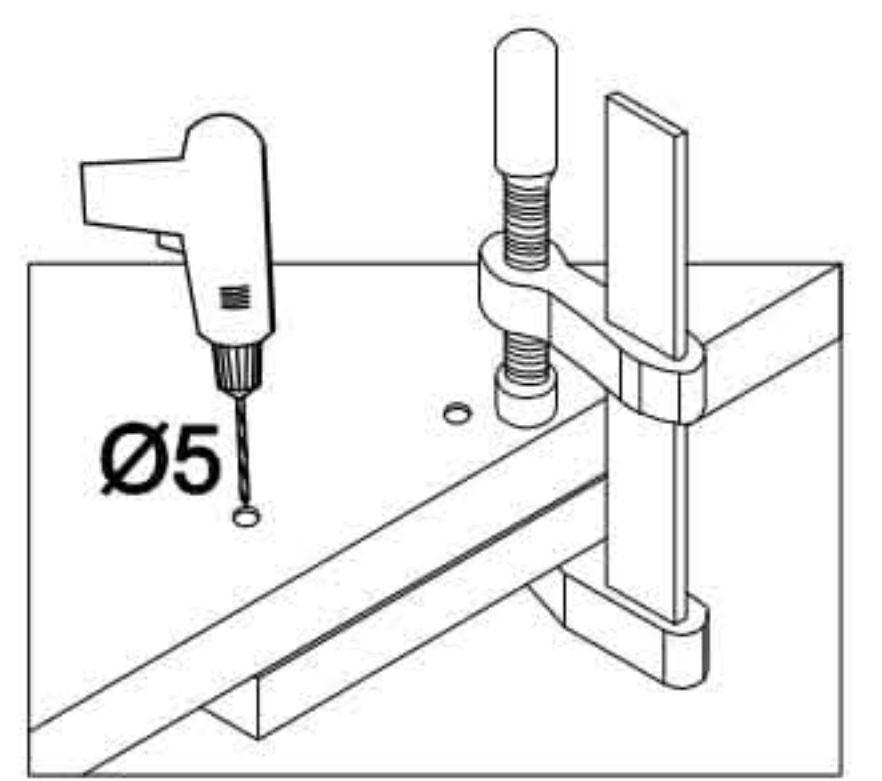


x2

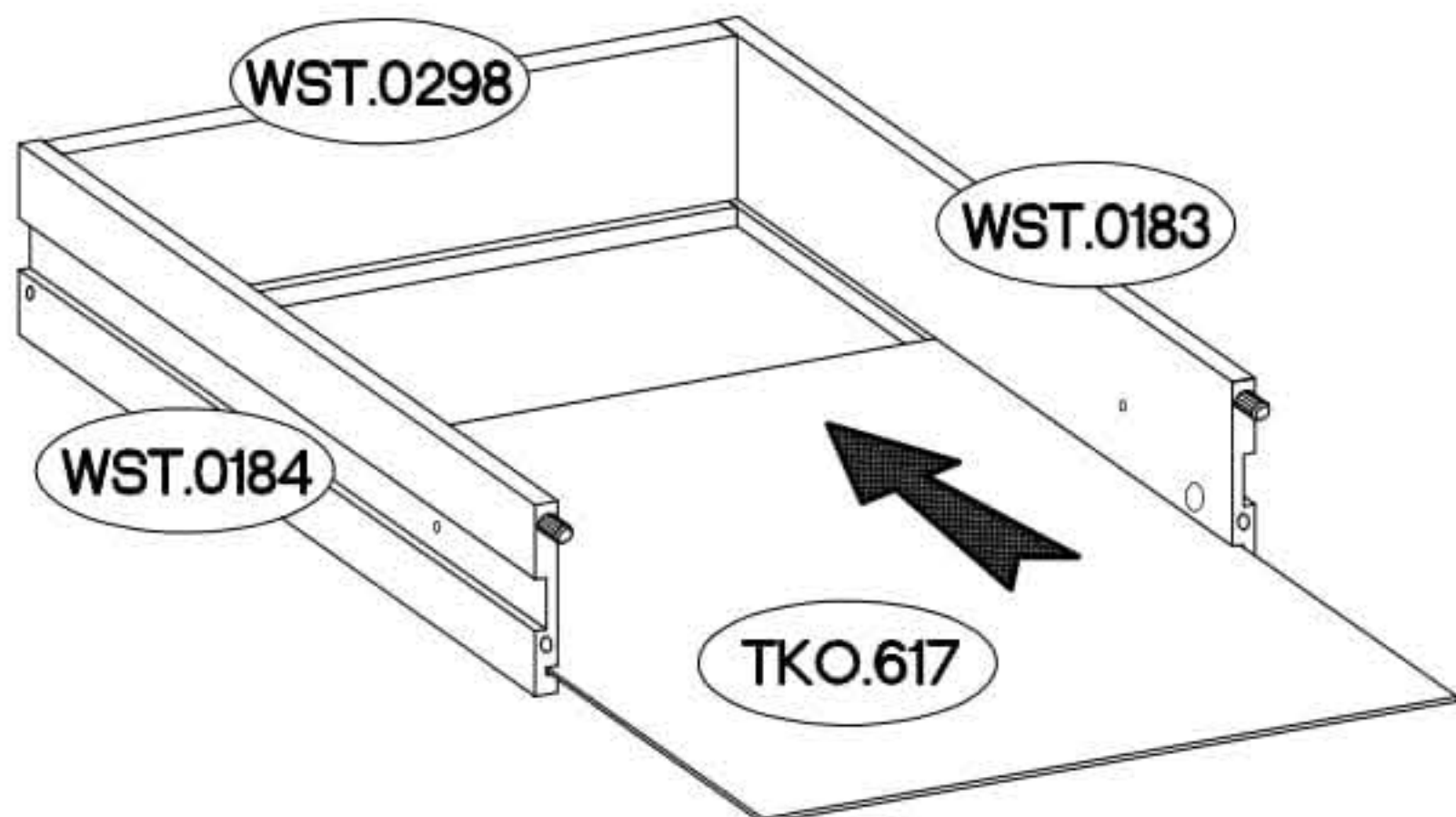
3

L=20mm  D2 4

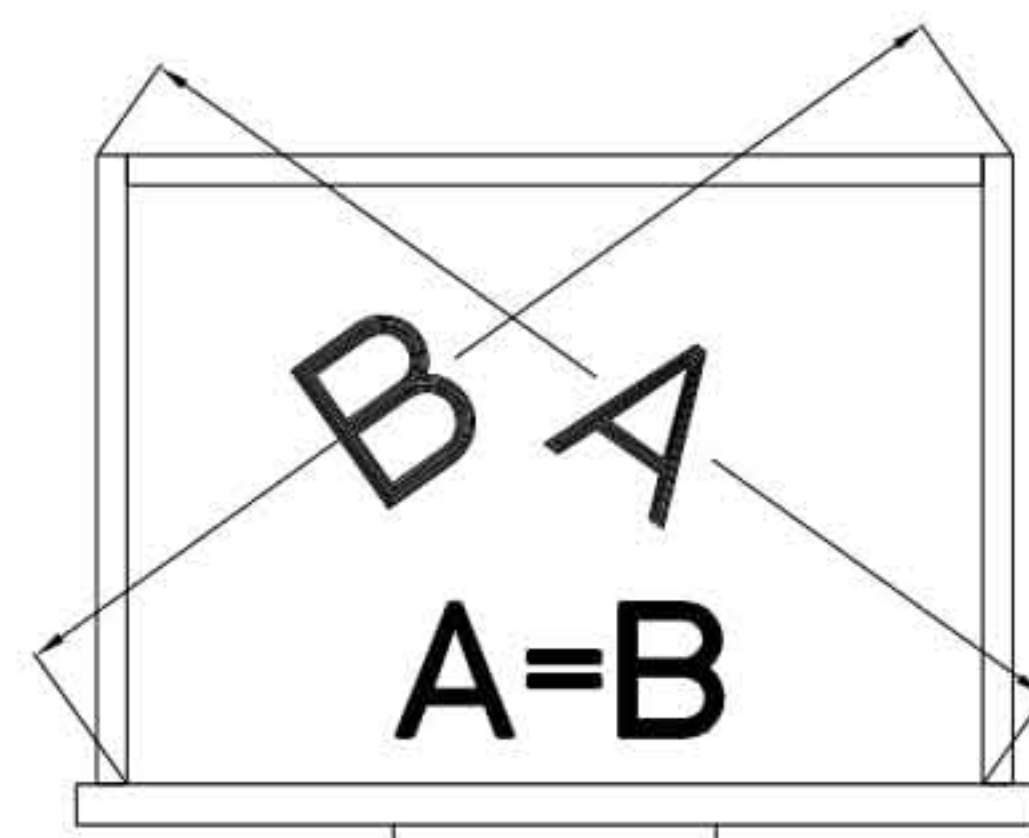
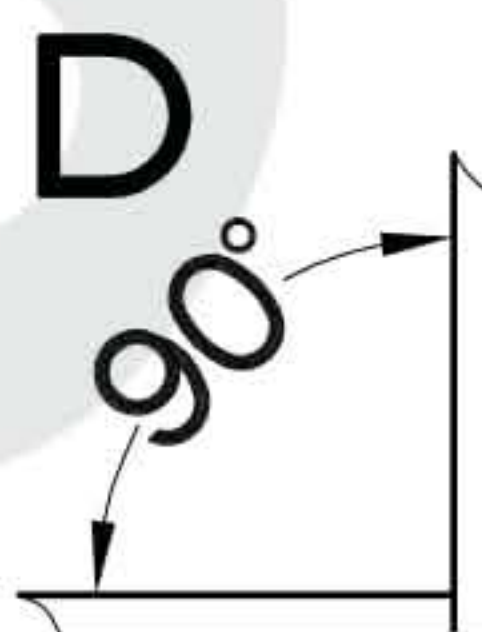
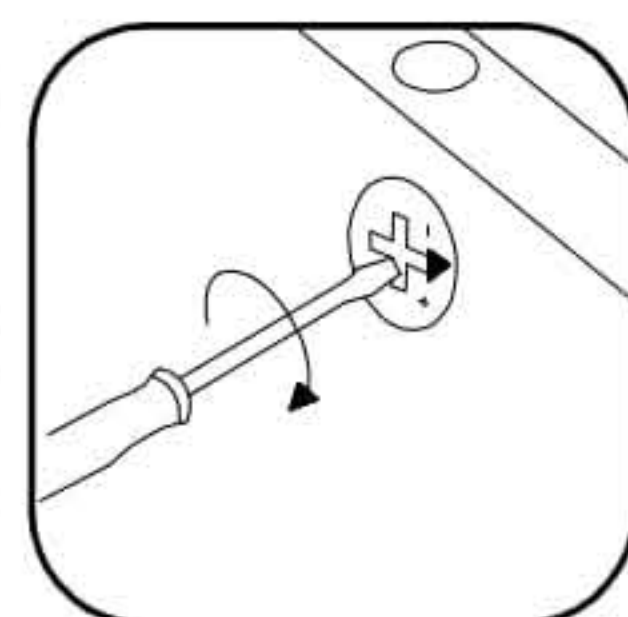
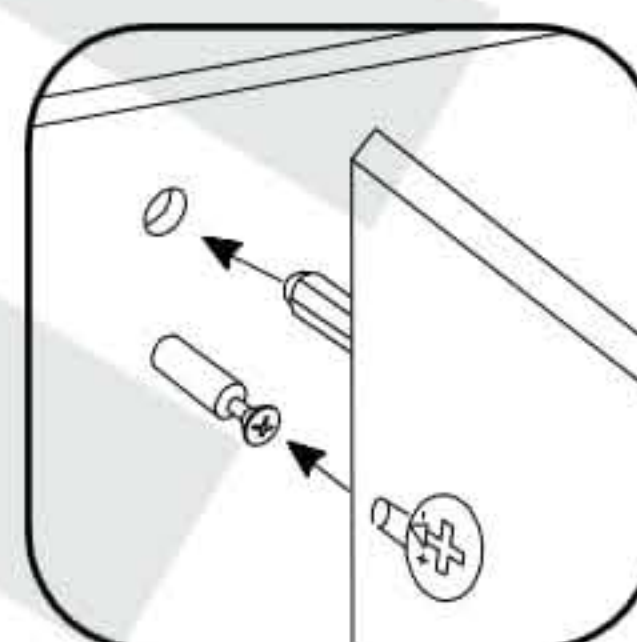
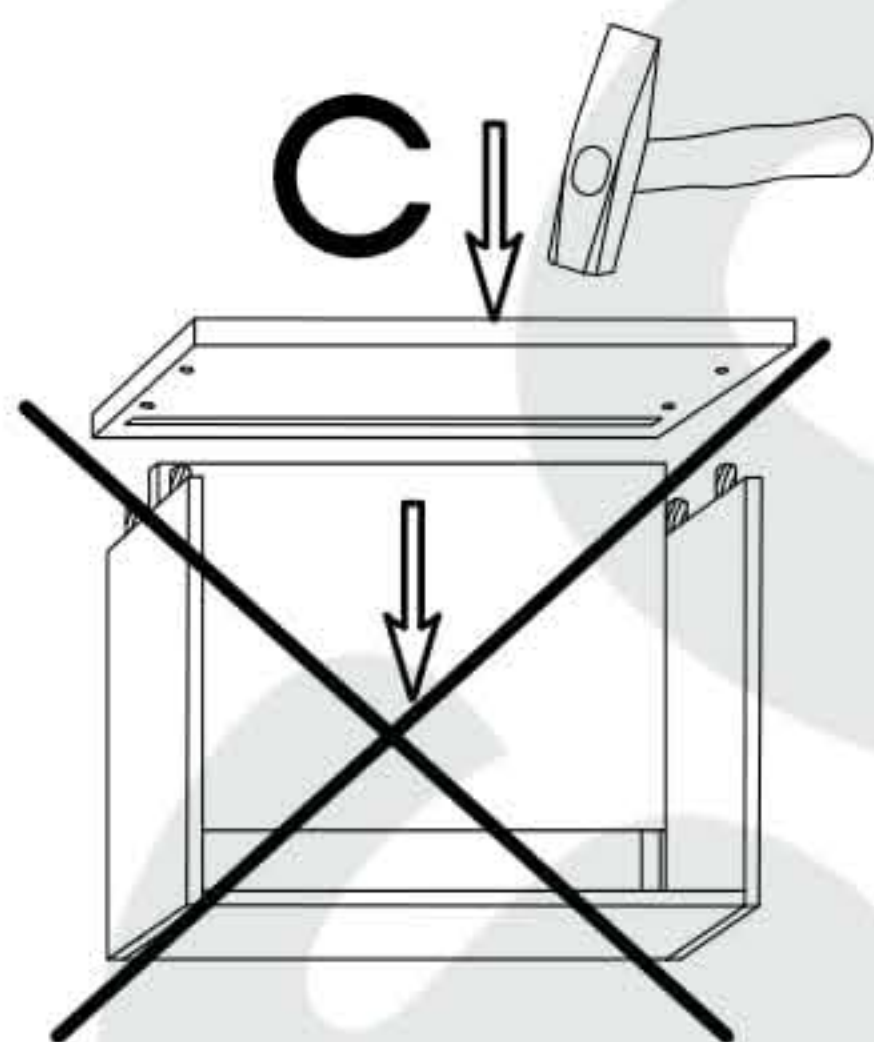
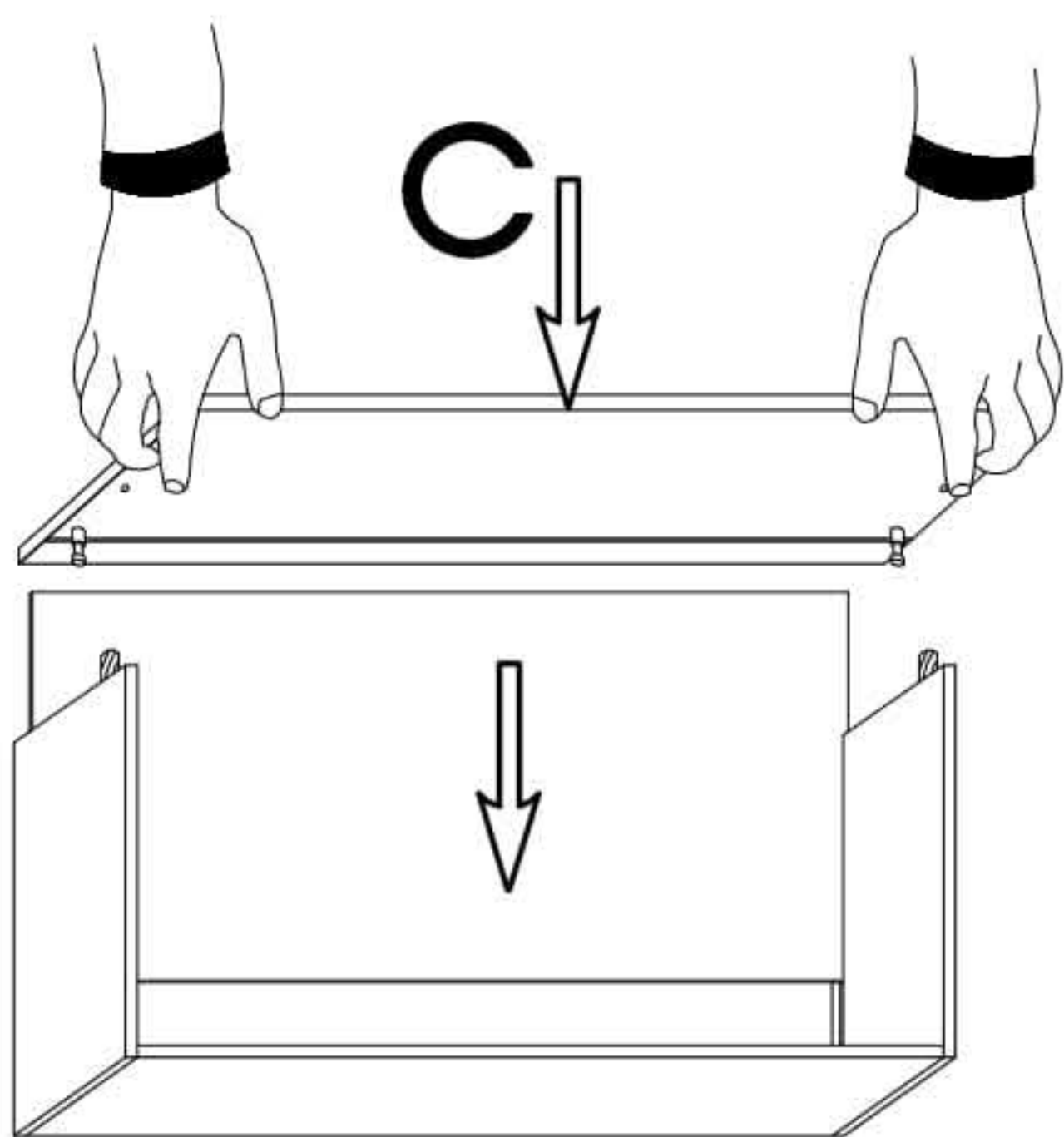
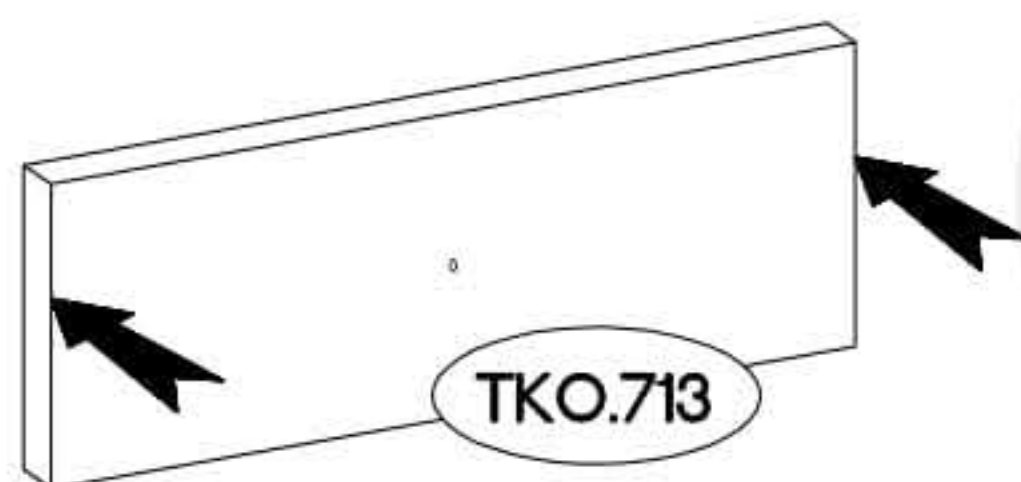
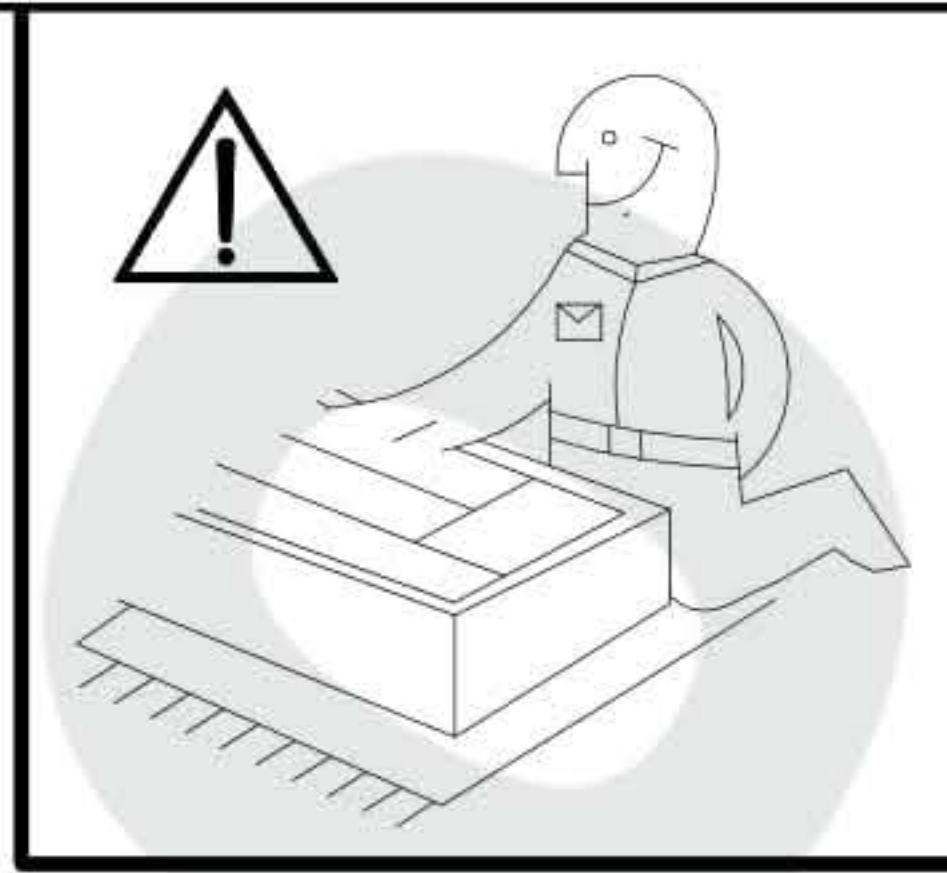
x2



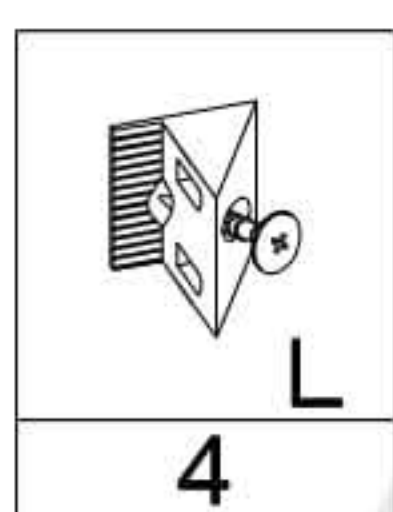
4



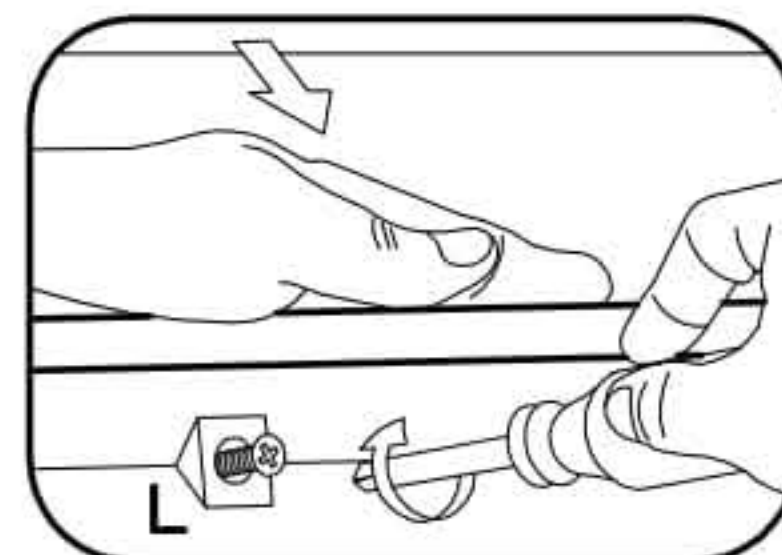
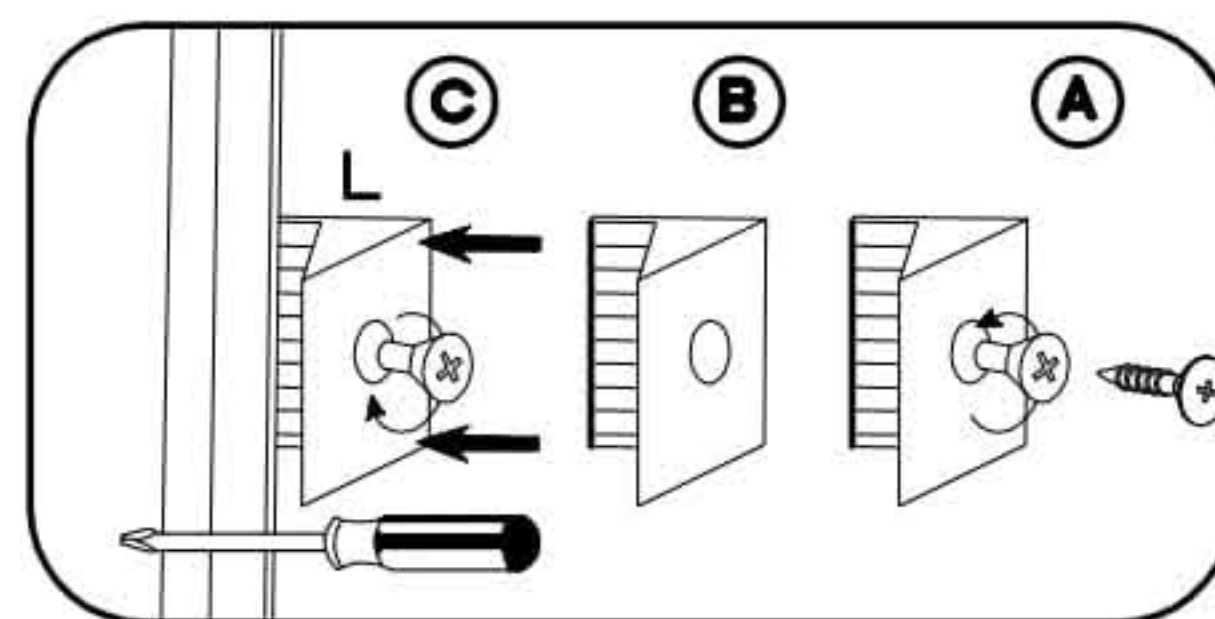
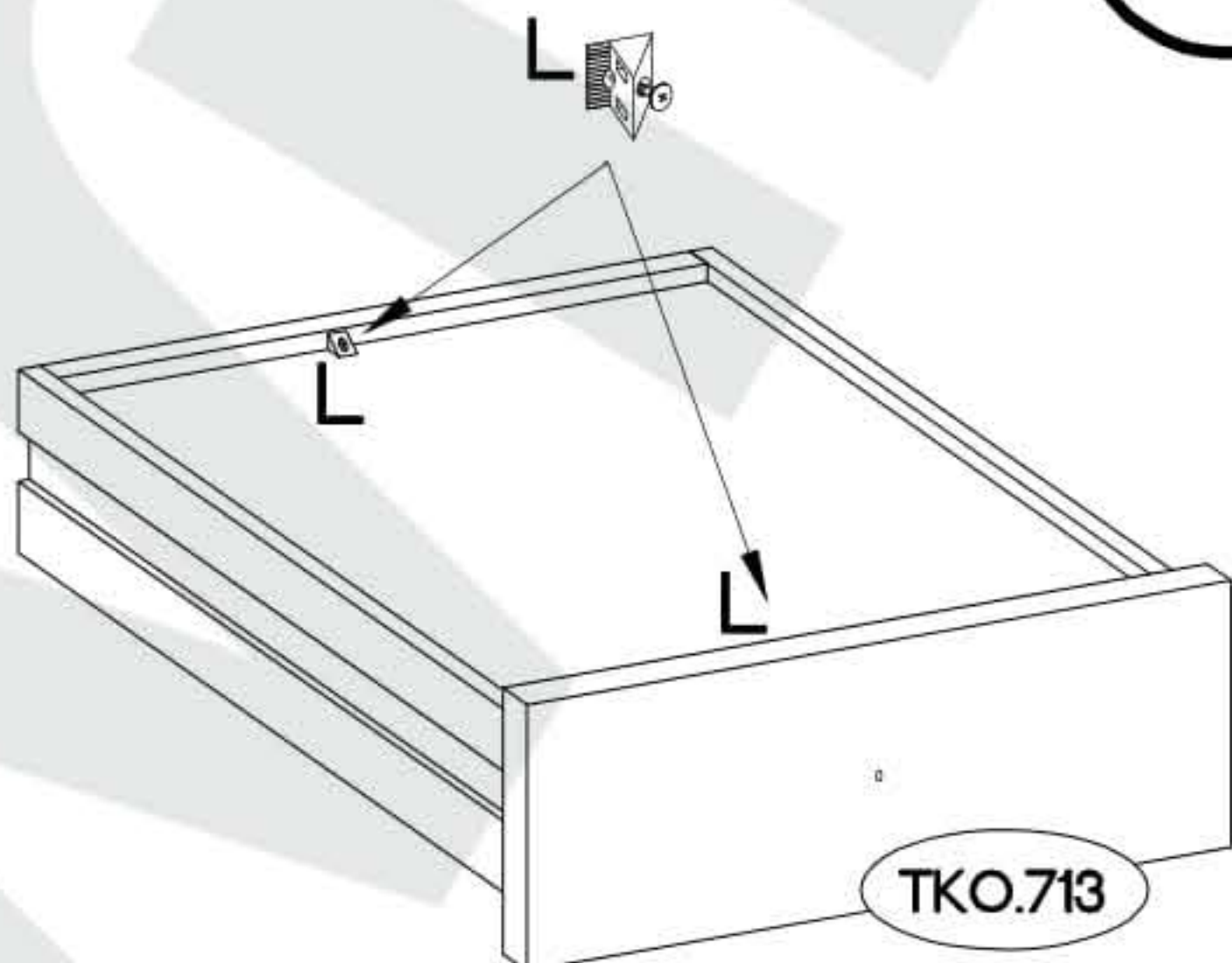
x2

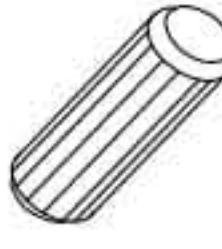


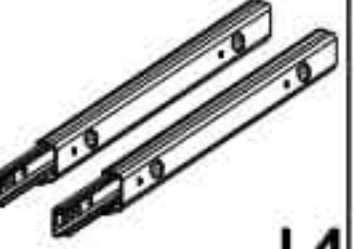



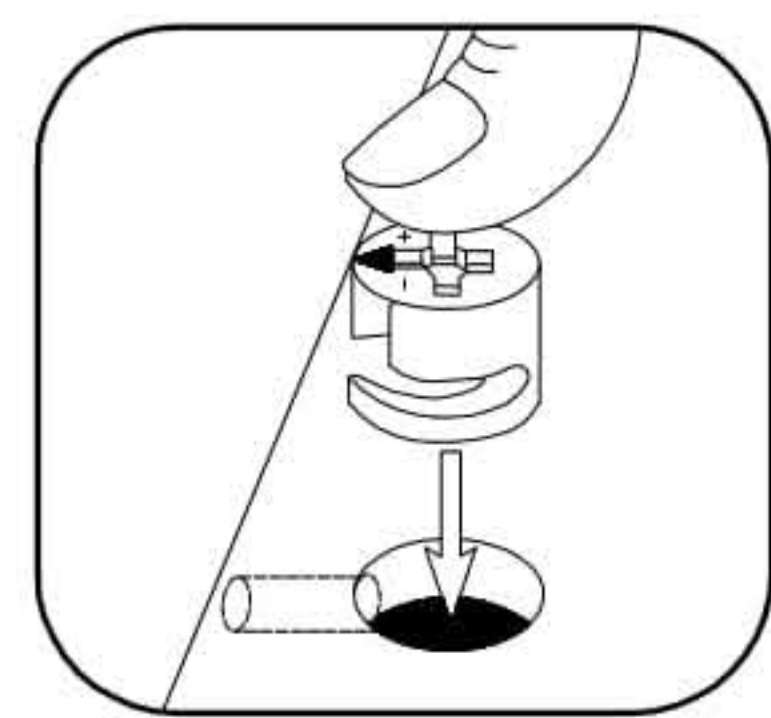
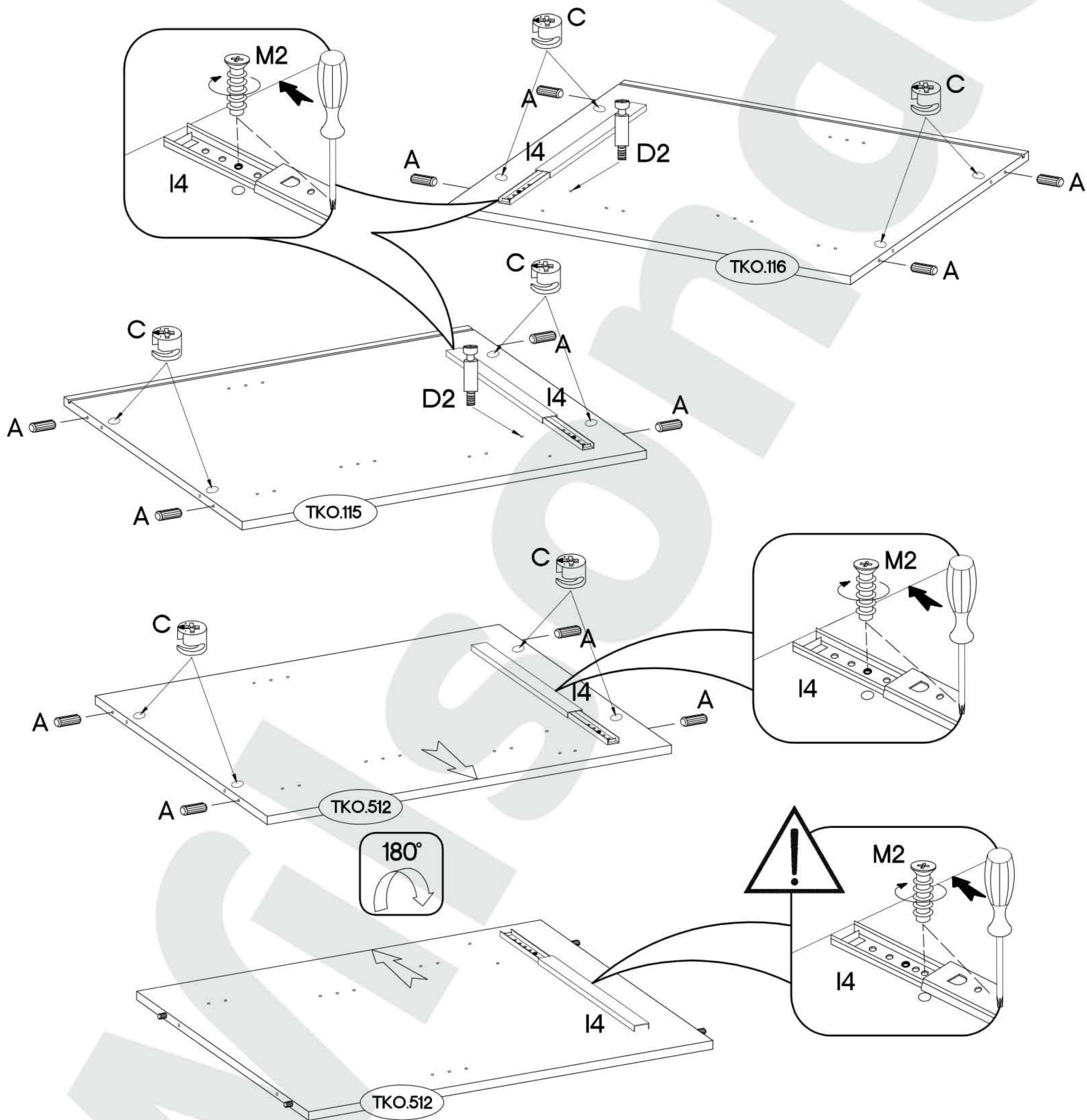
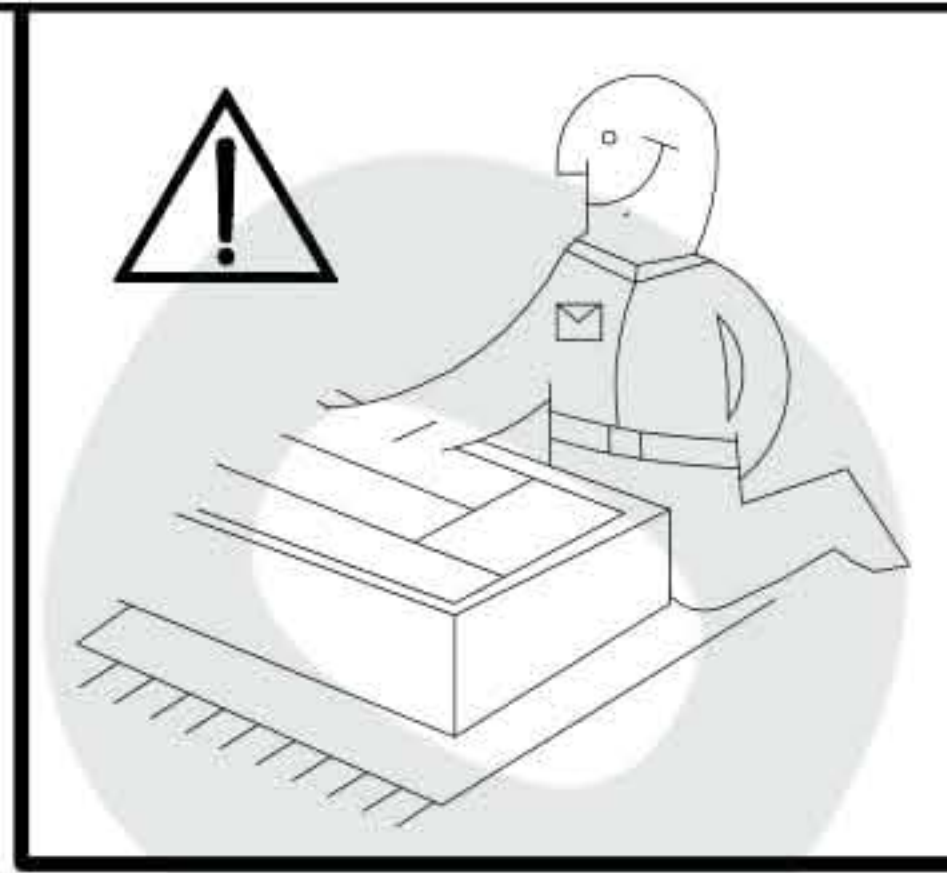
5



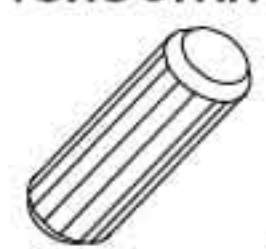


x2

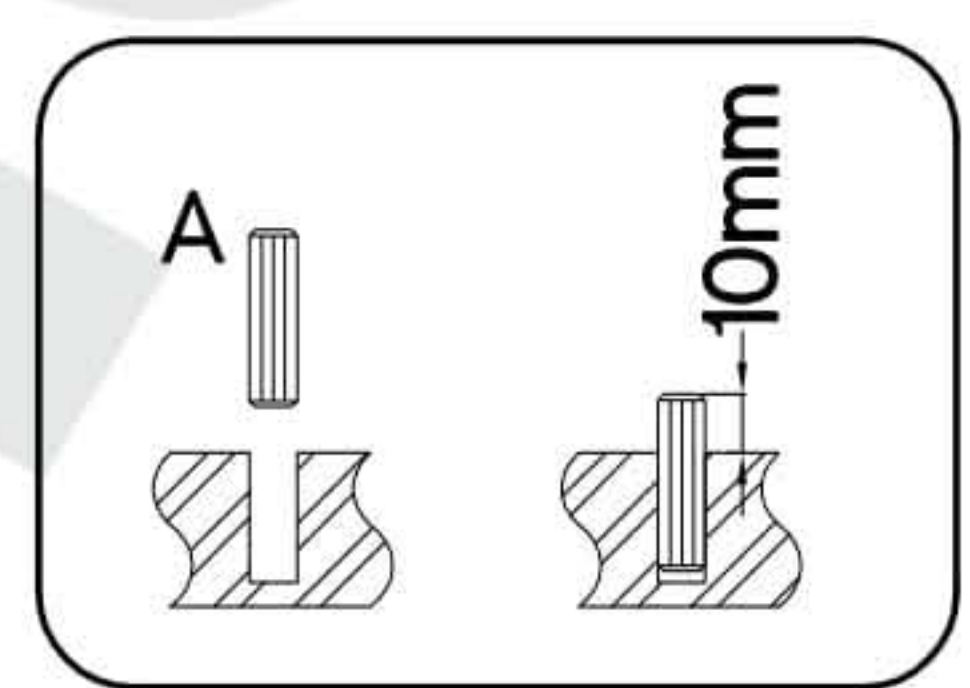
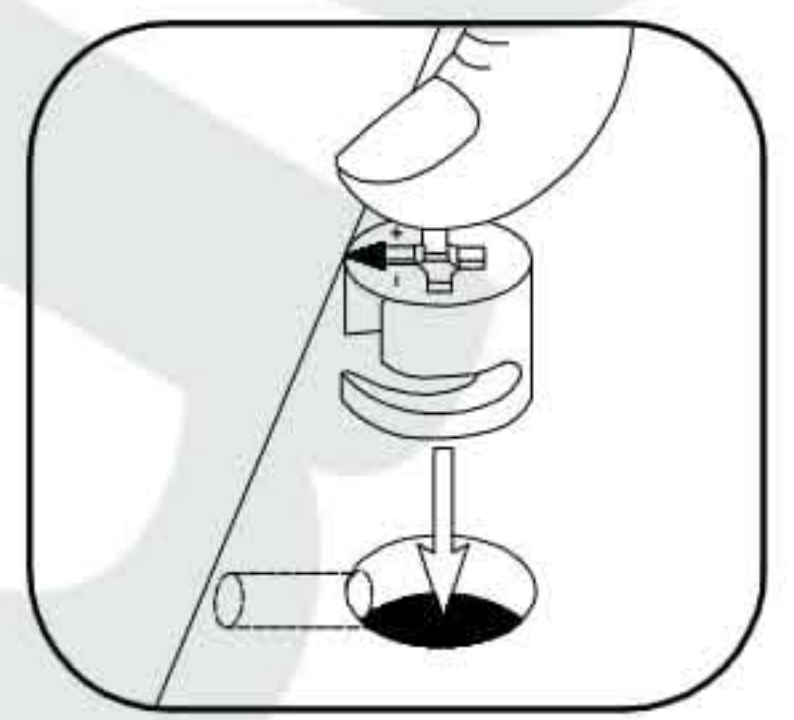
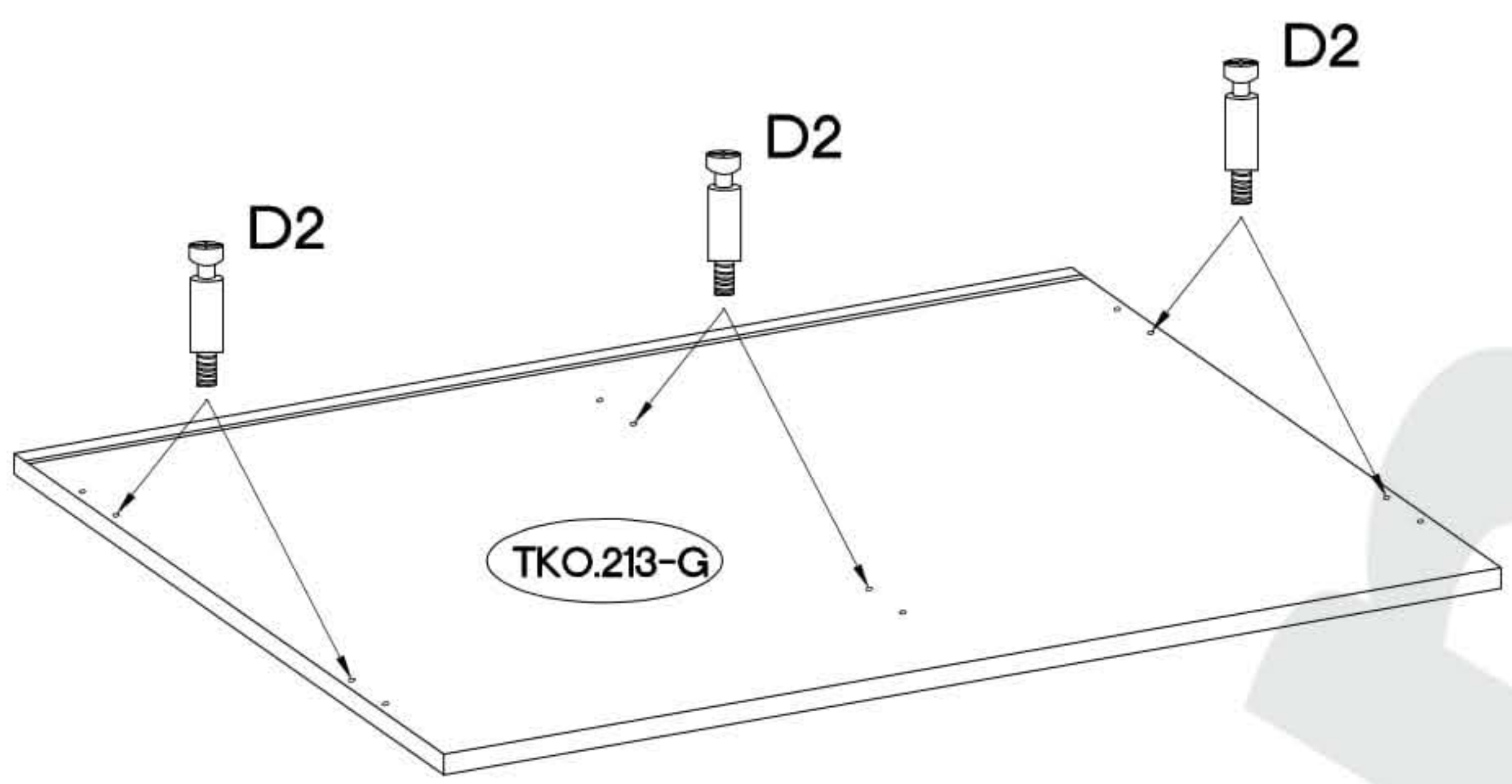
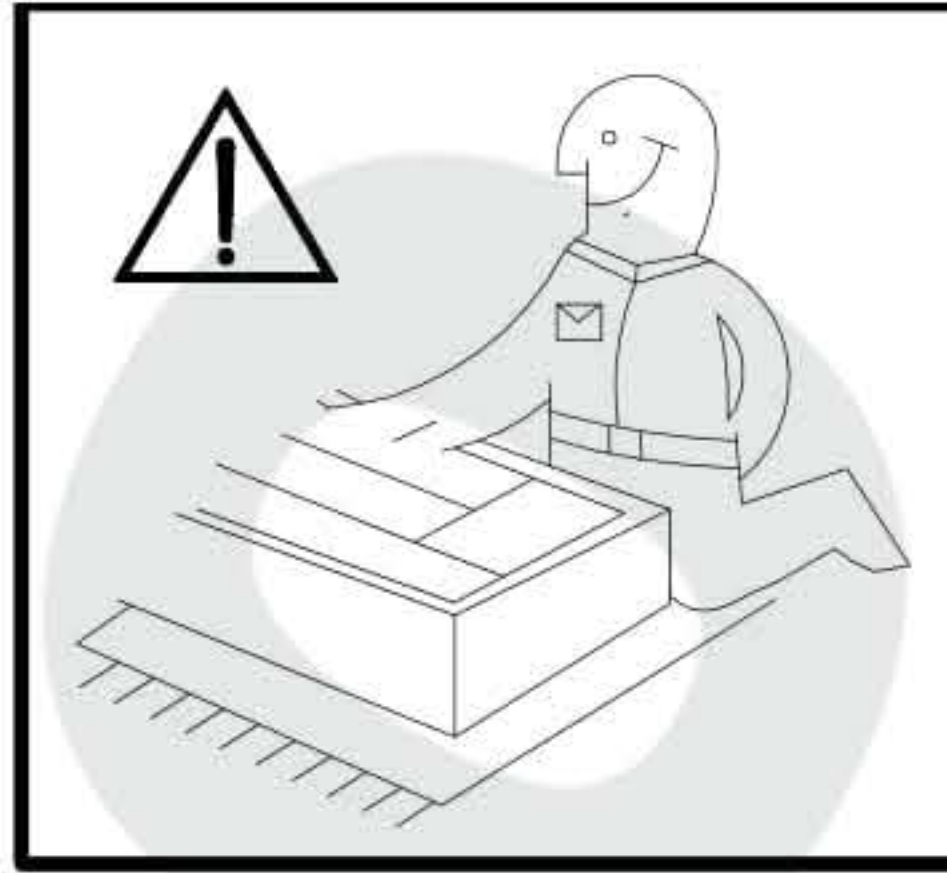
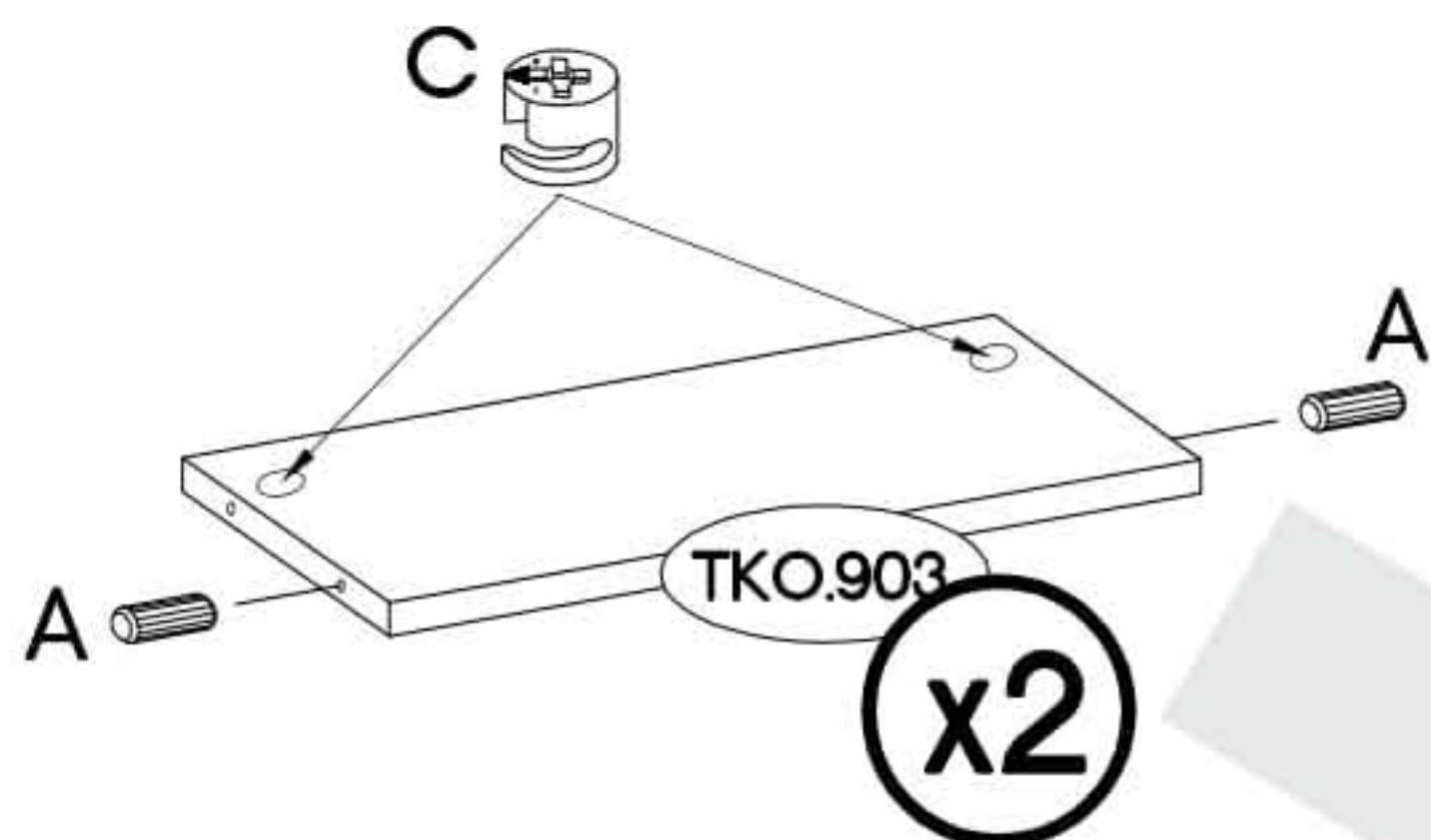


<p>†8x30mm</p>  <p>A</p> <p>12</p>	<p>†15/12mm</p>  <p>C</p> <p>12</p>	<p>L=20mm</p>  <p>D2</p> <p>2</p>	<p>27/310mm</p>  <p>I4</p> <p>2</p>	<p>†6,3x13mm</p>  <p>M2</p> <p>8</p>
--	---	---	---	---



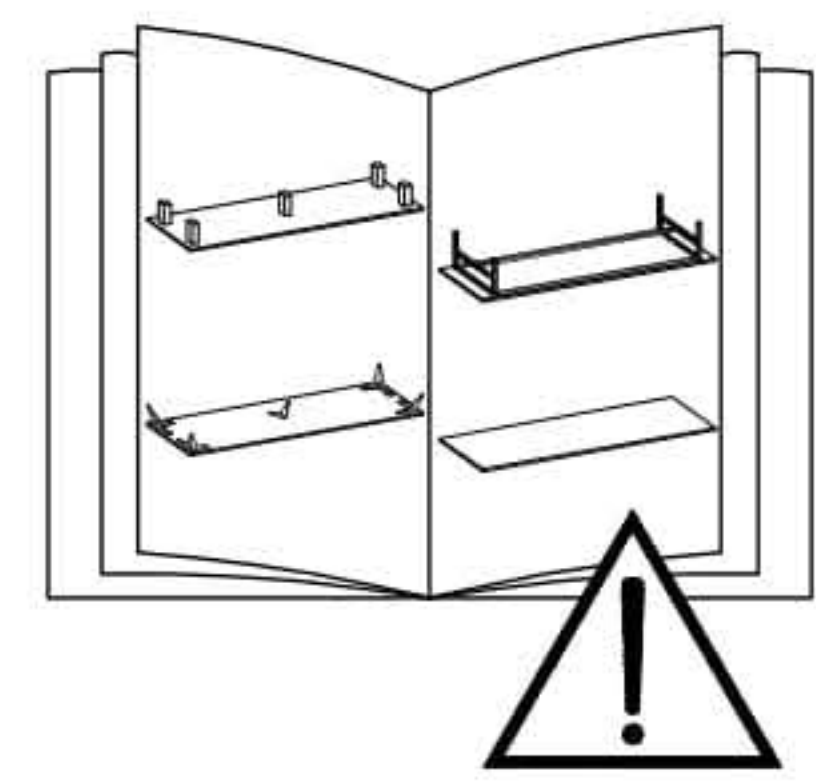
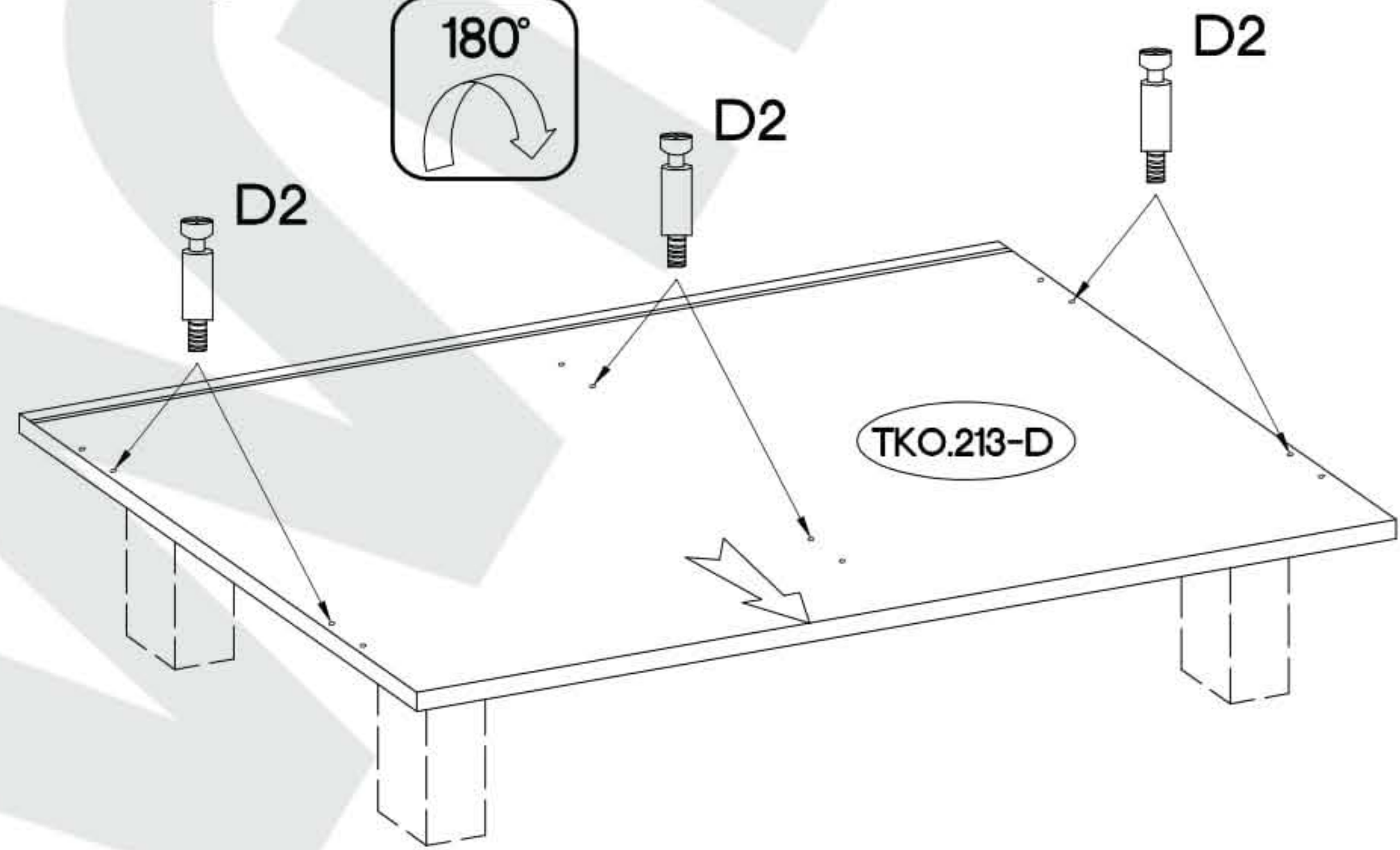
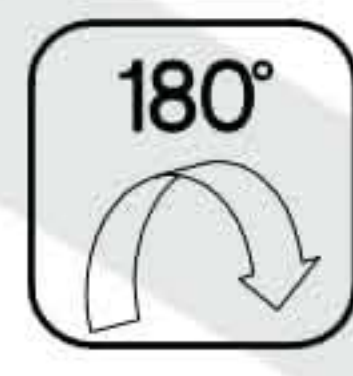
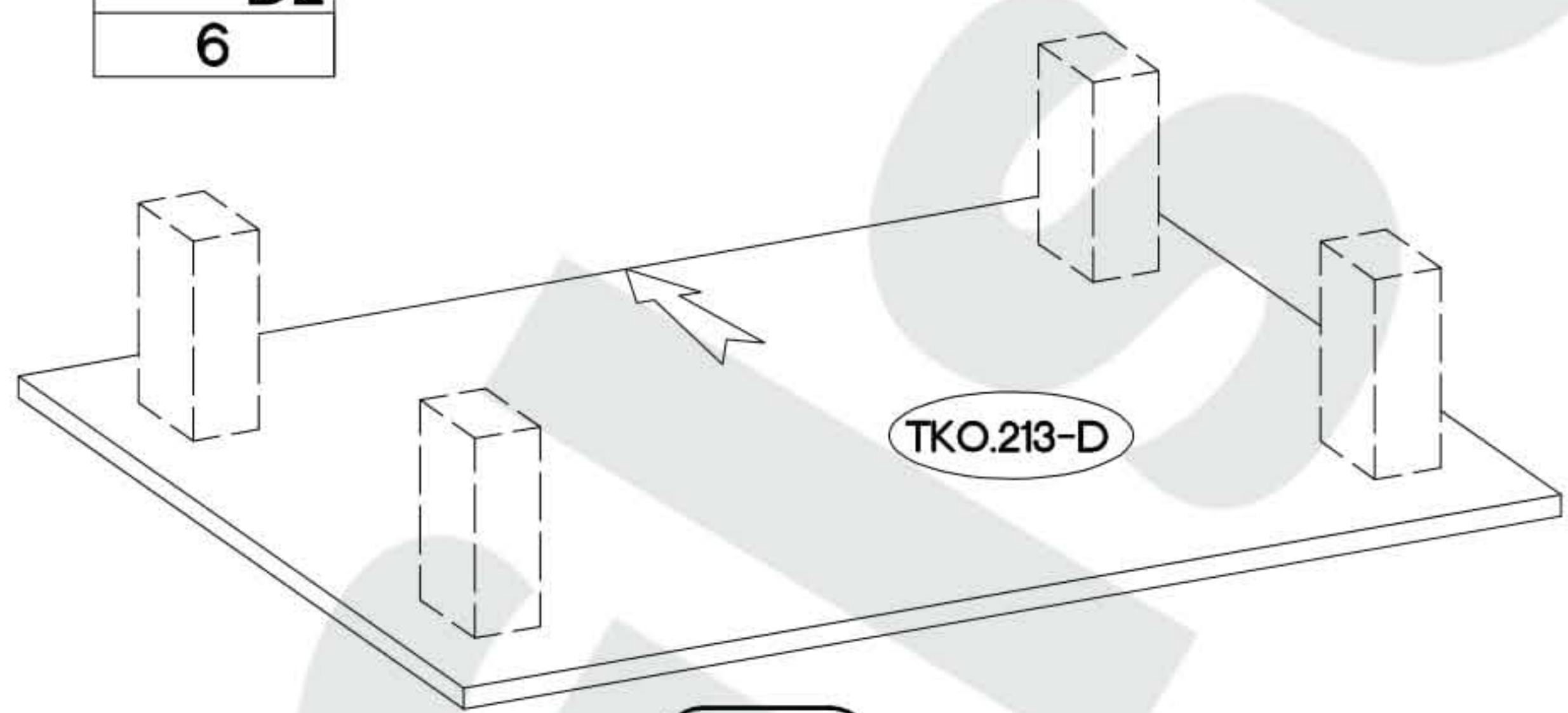
7

†8x30mm  A 4	†15/12mm  C 4	L=20mm  D2 6
---	--	---



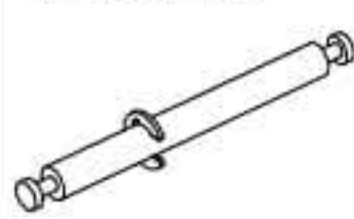
8

L=20mm  D2 6
--



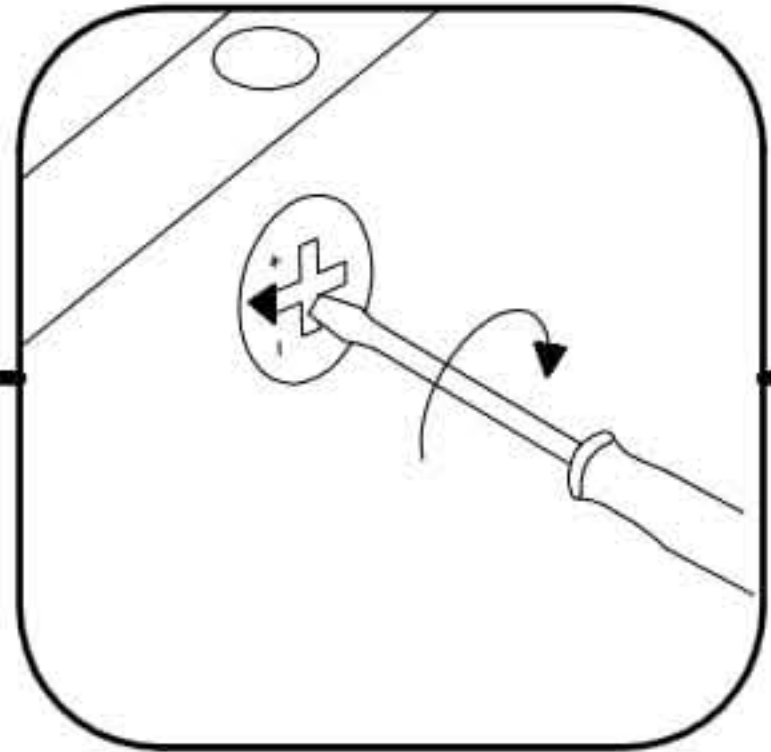
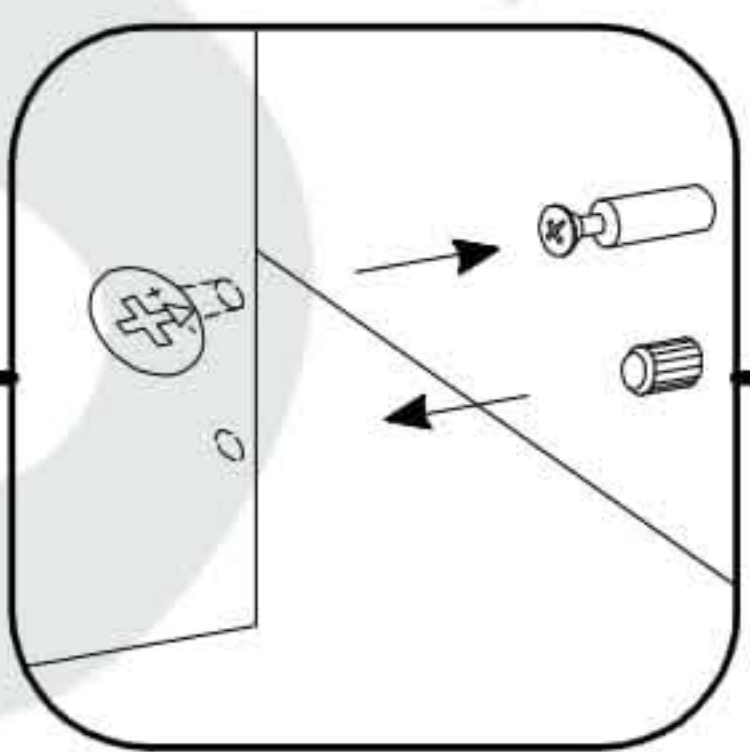
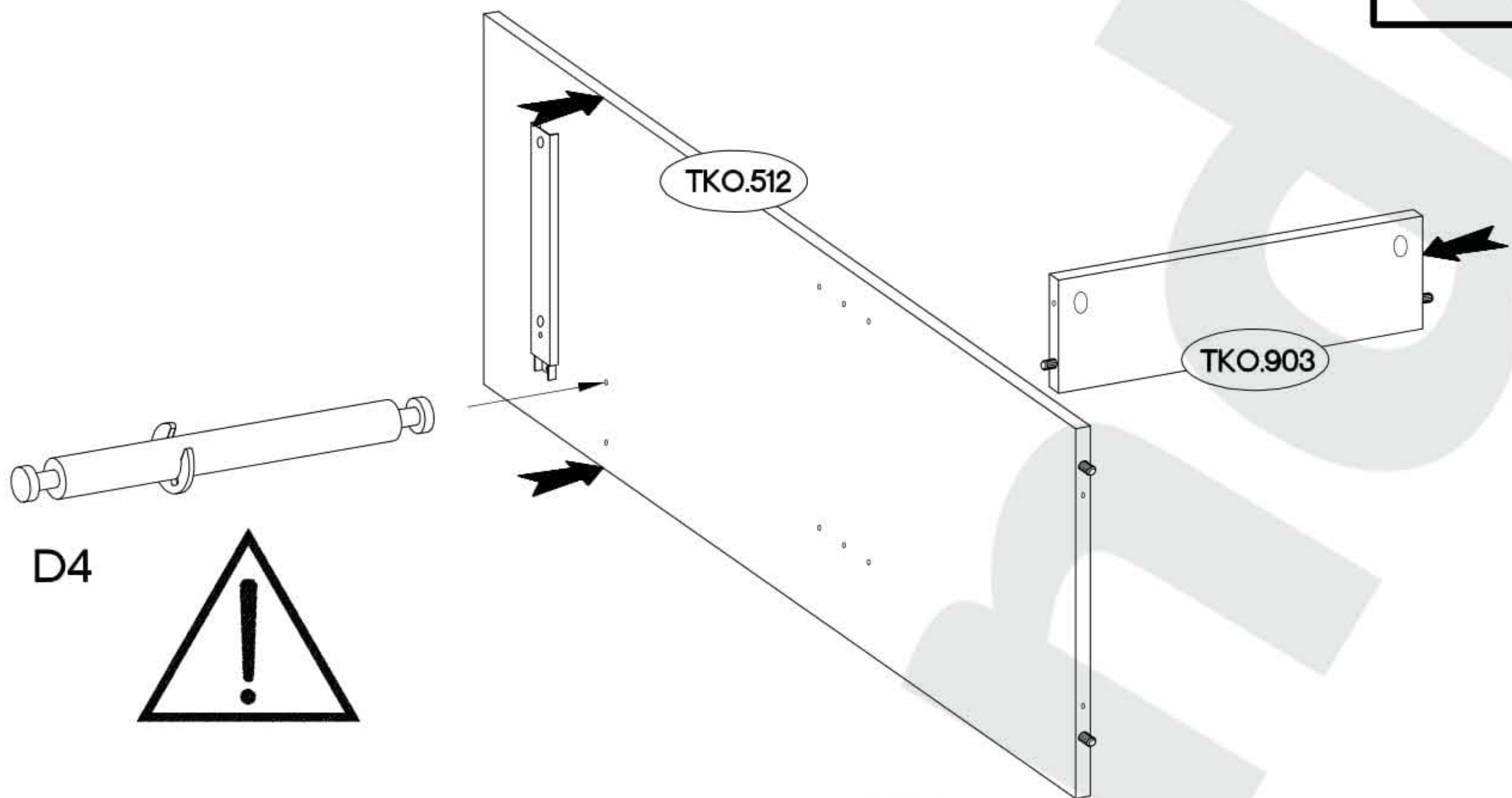
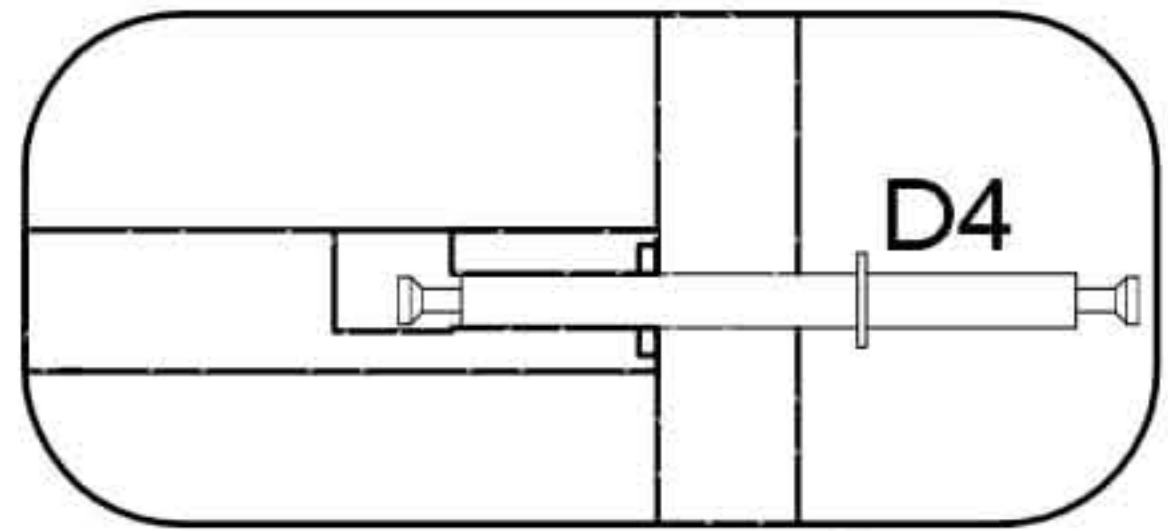
9

L=56mm

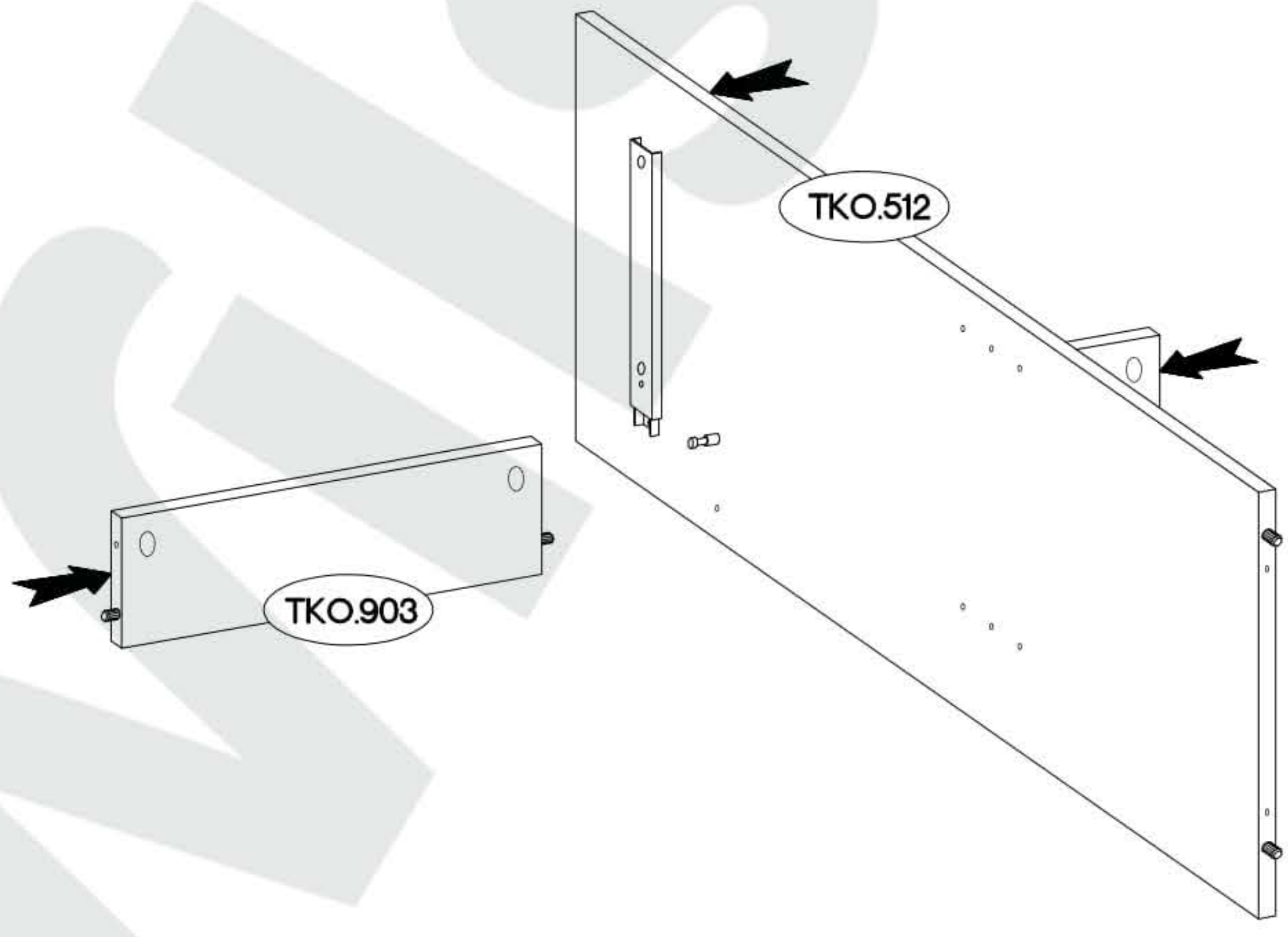


D4

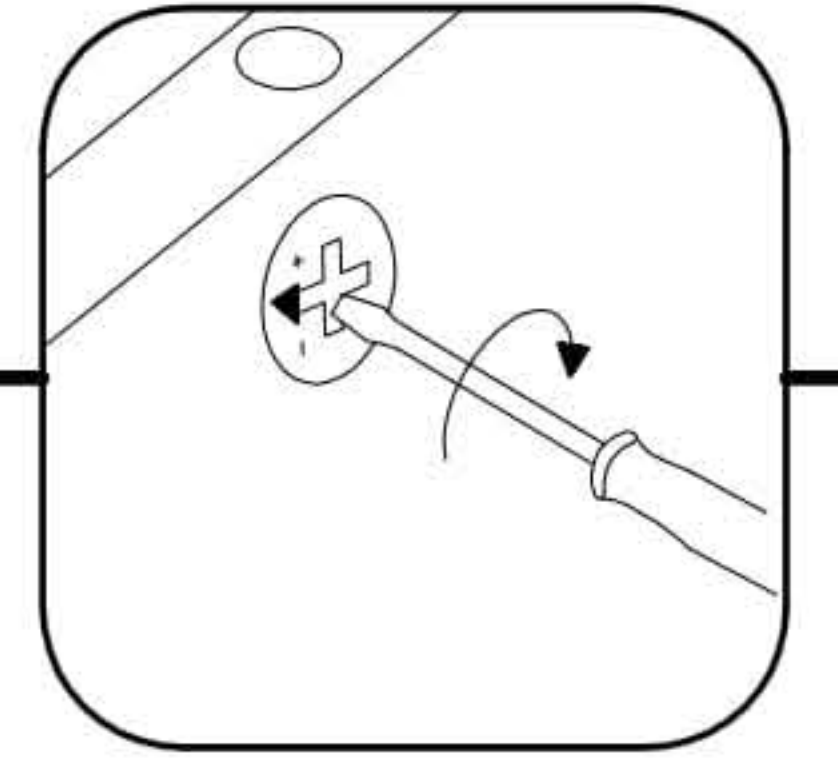
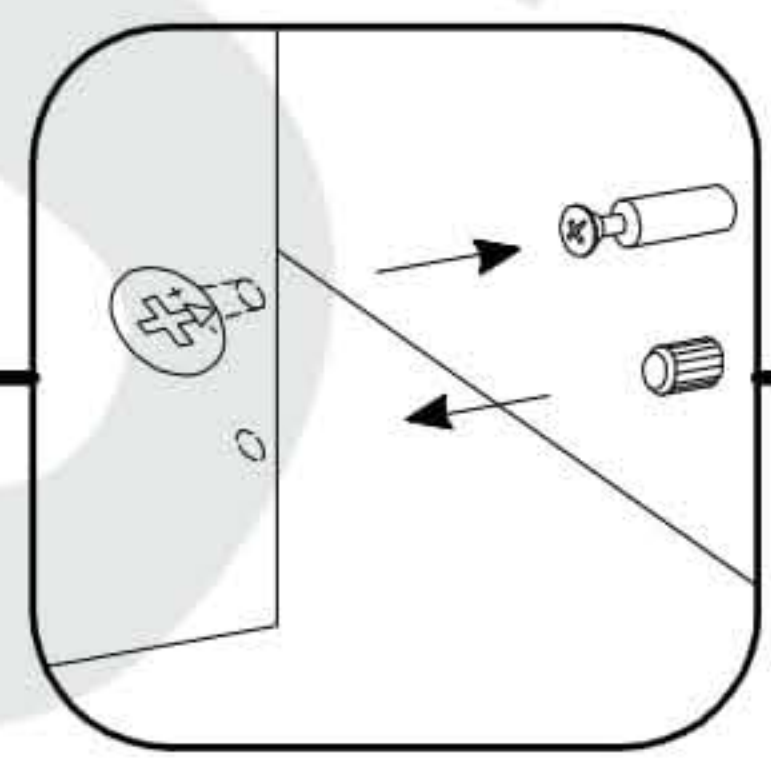
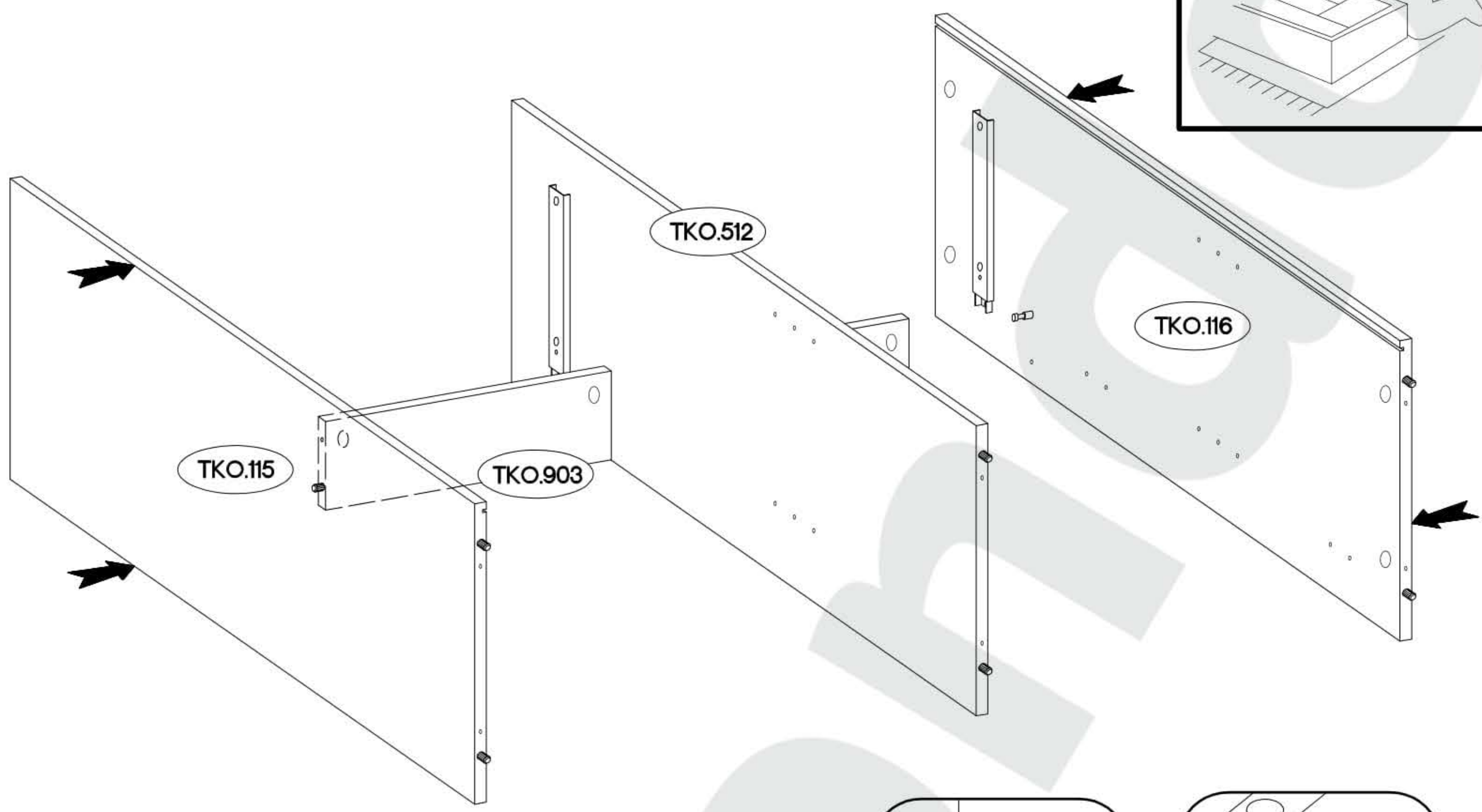
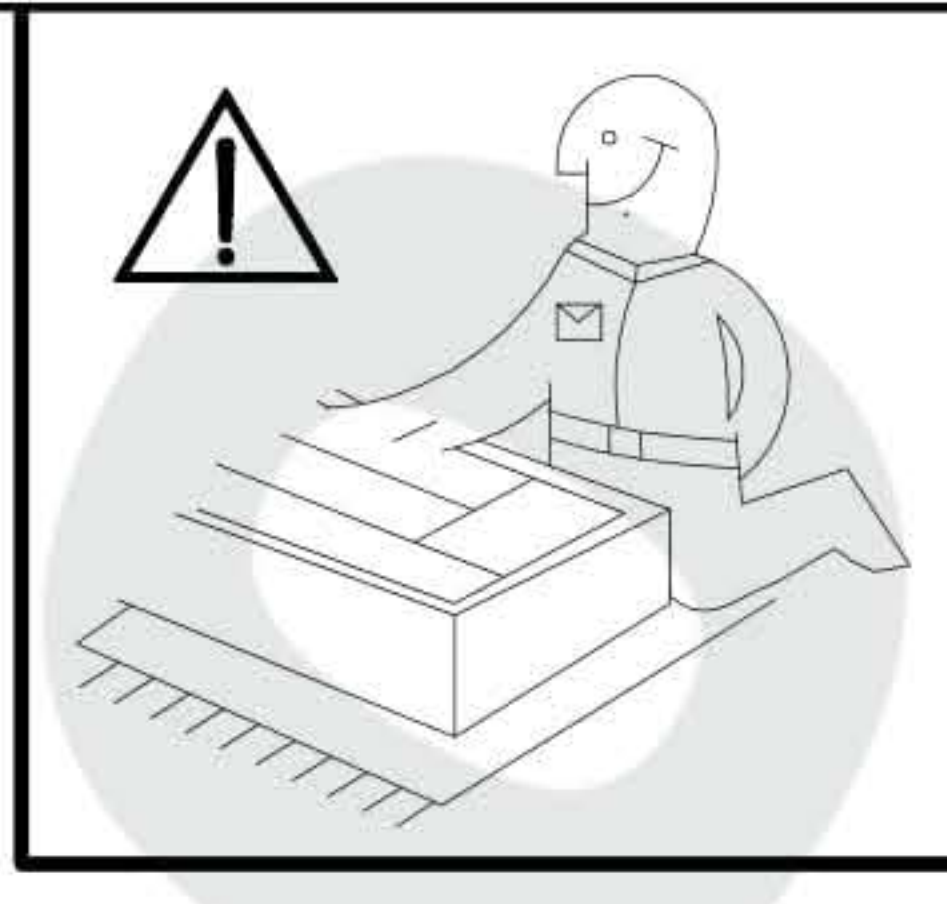
1



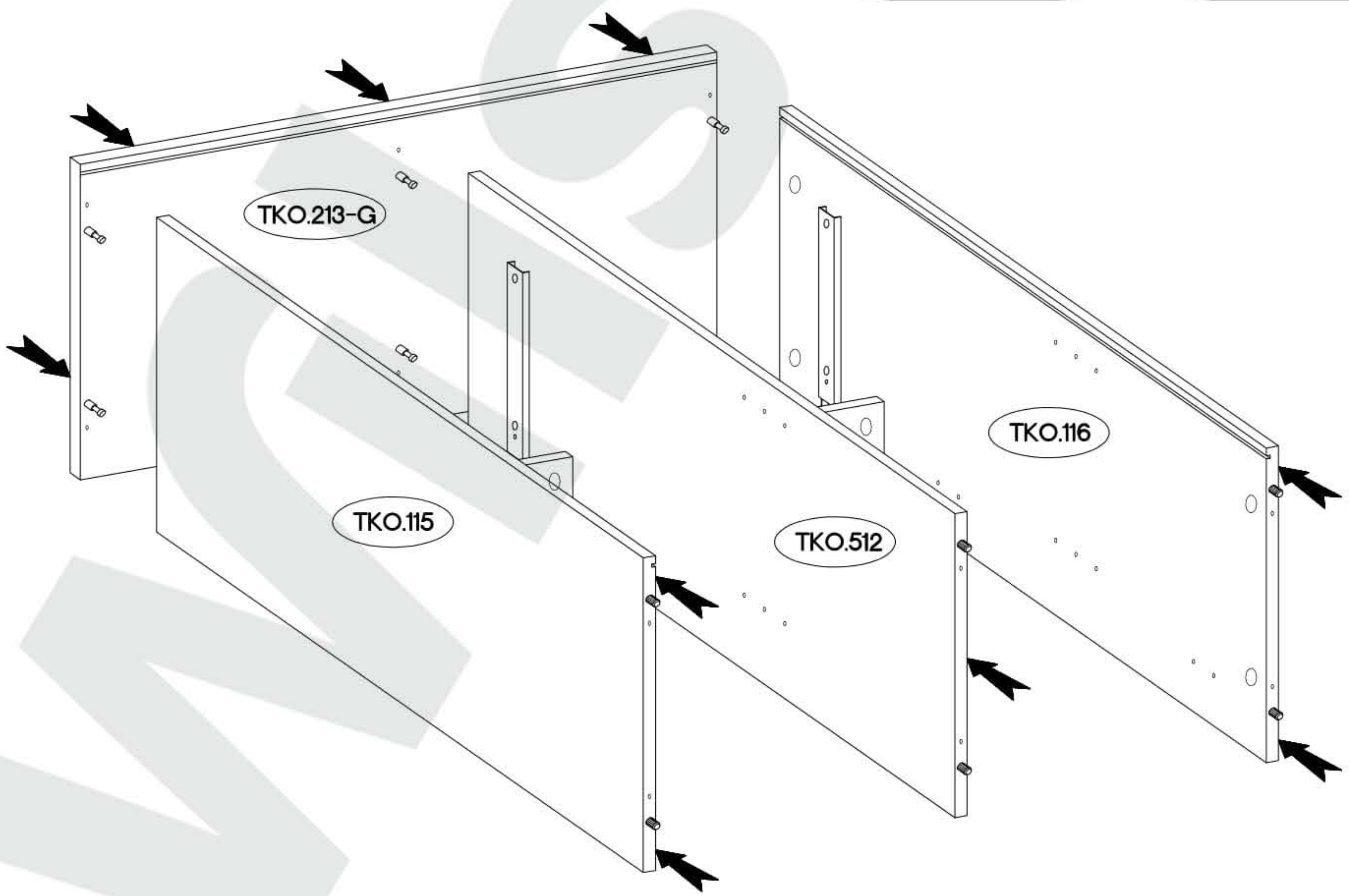
10



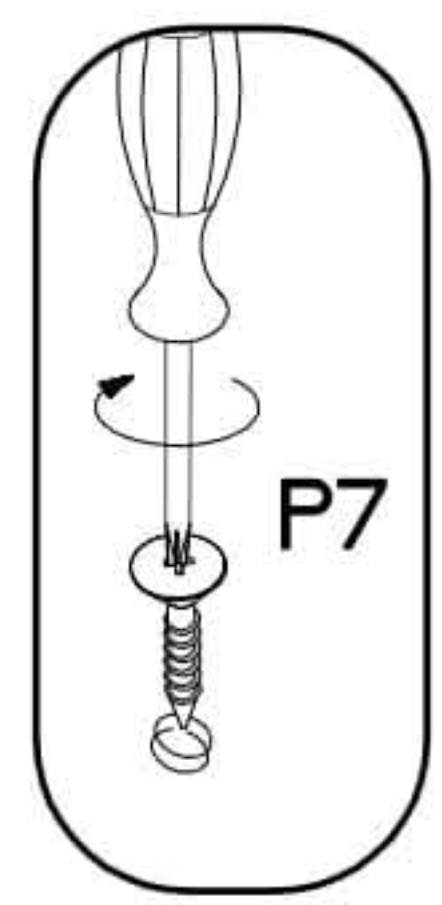
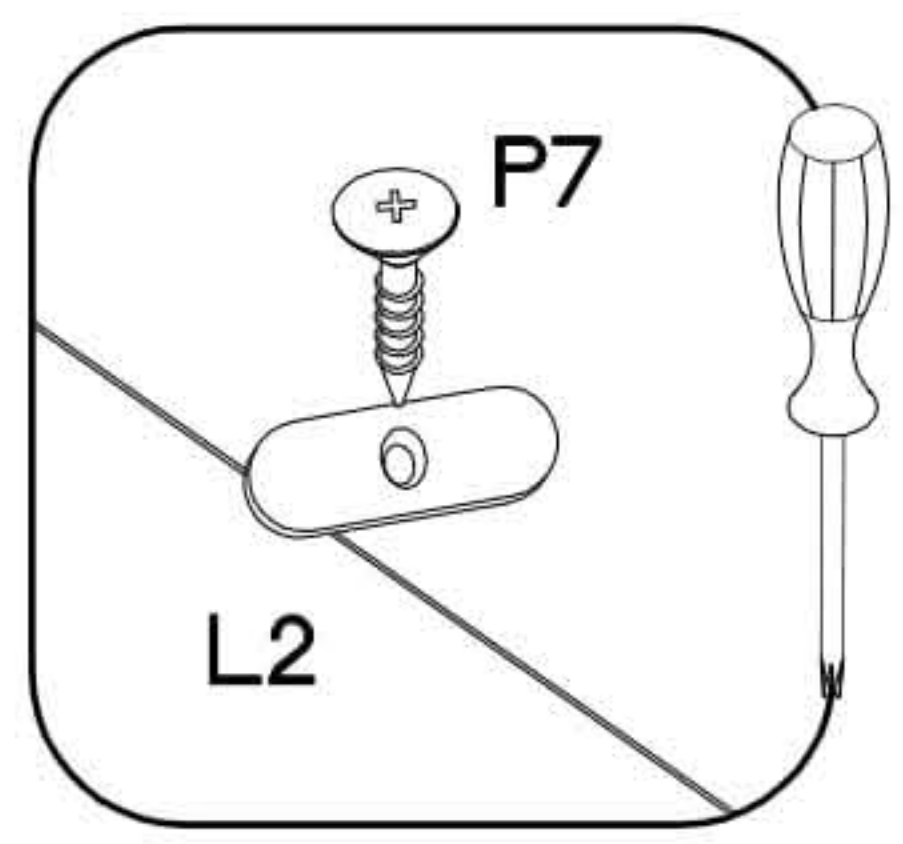
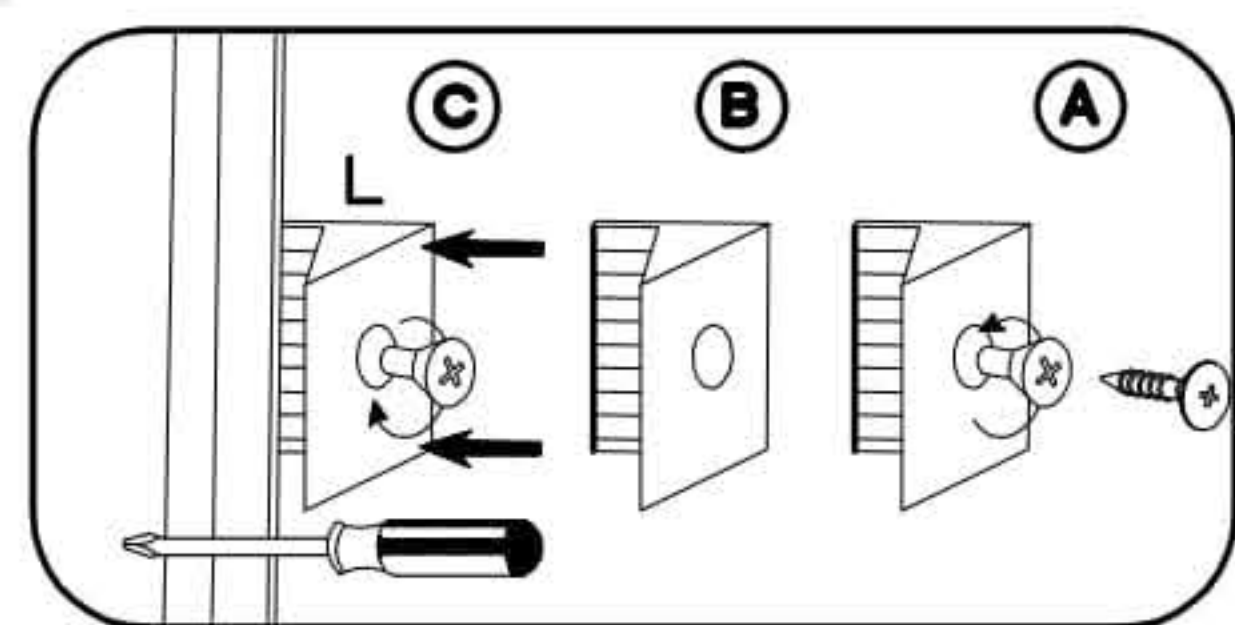
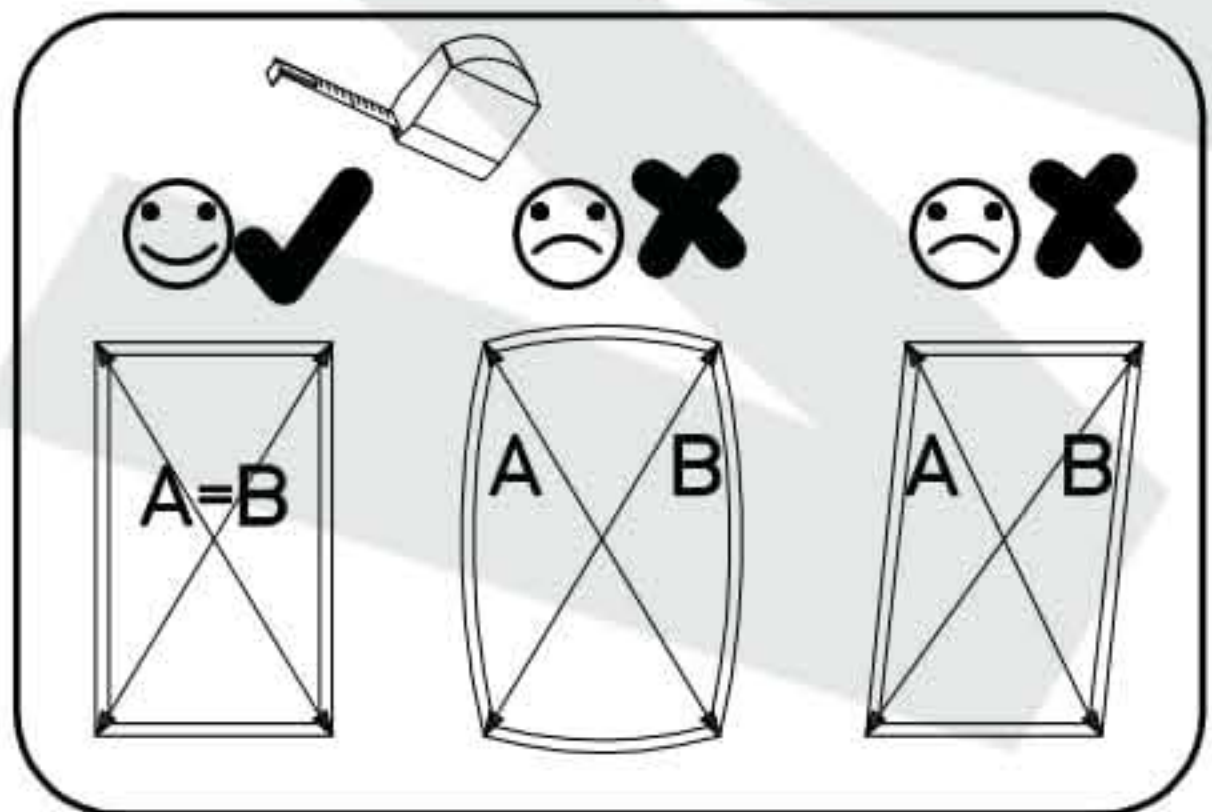
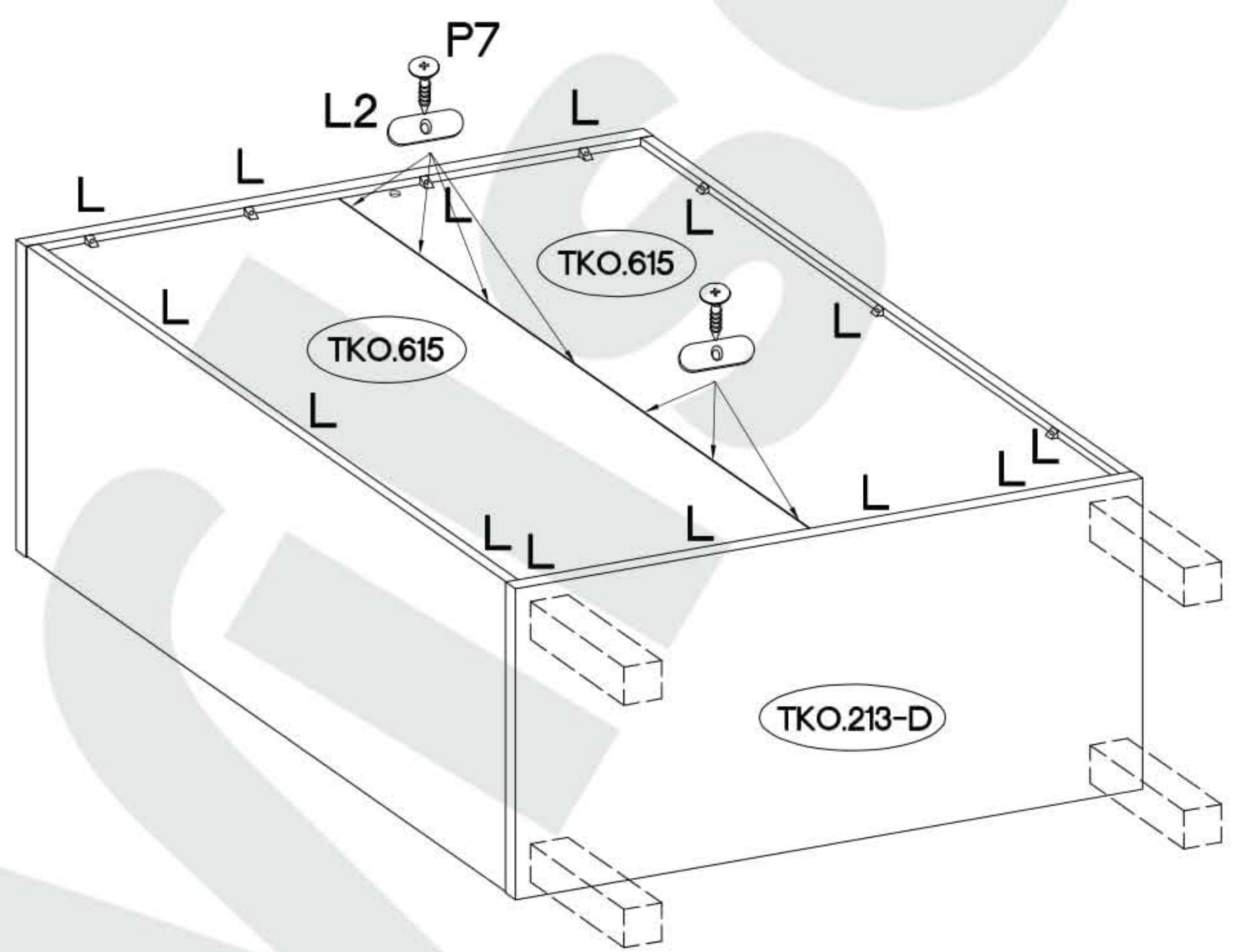
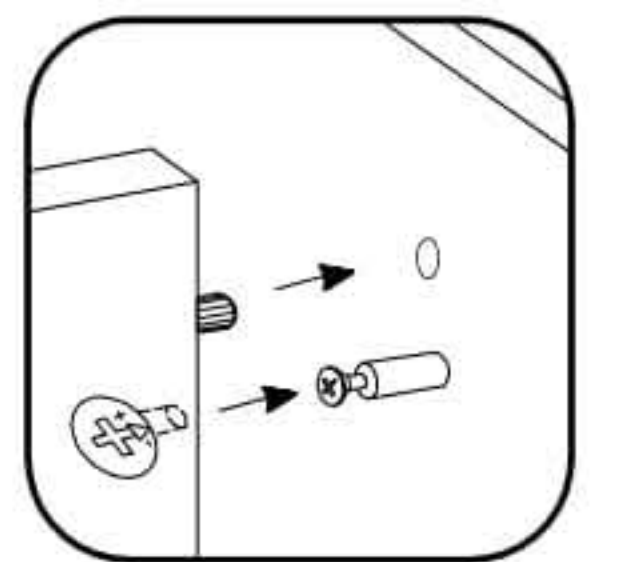
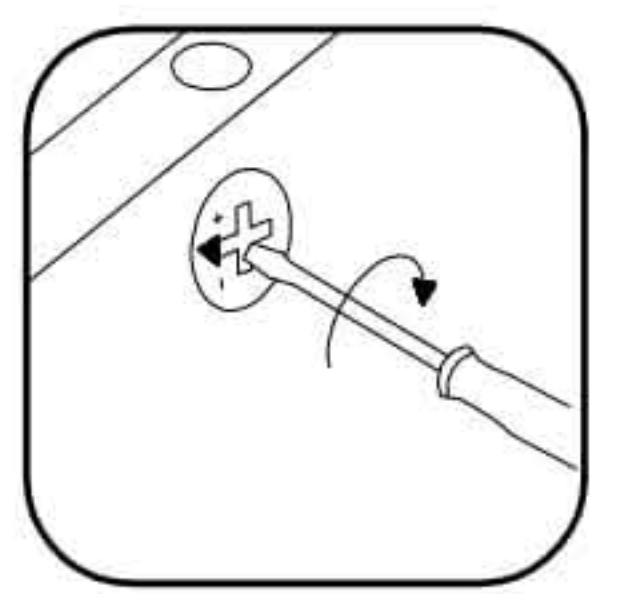
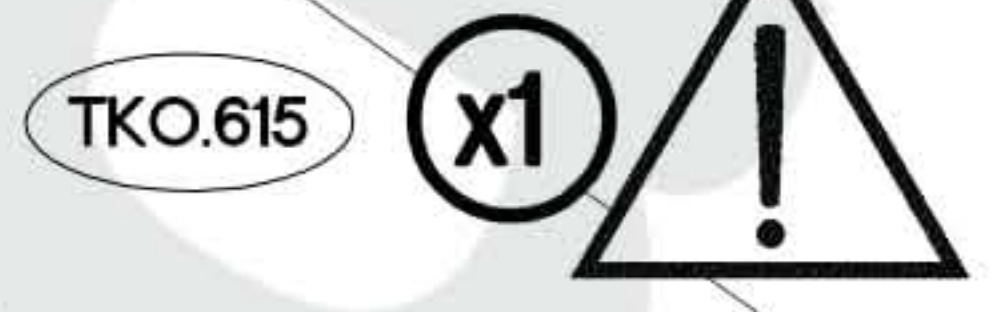
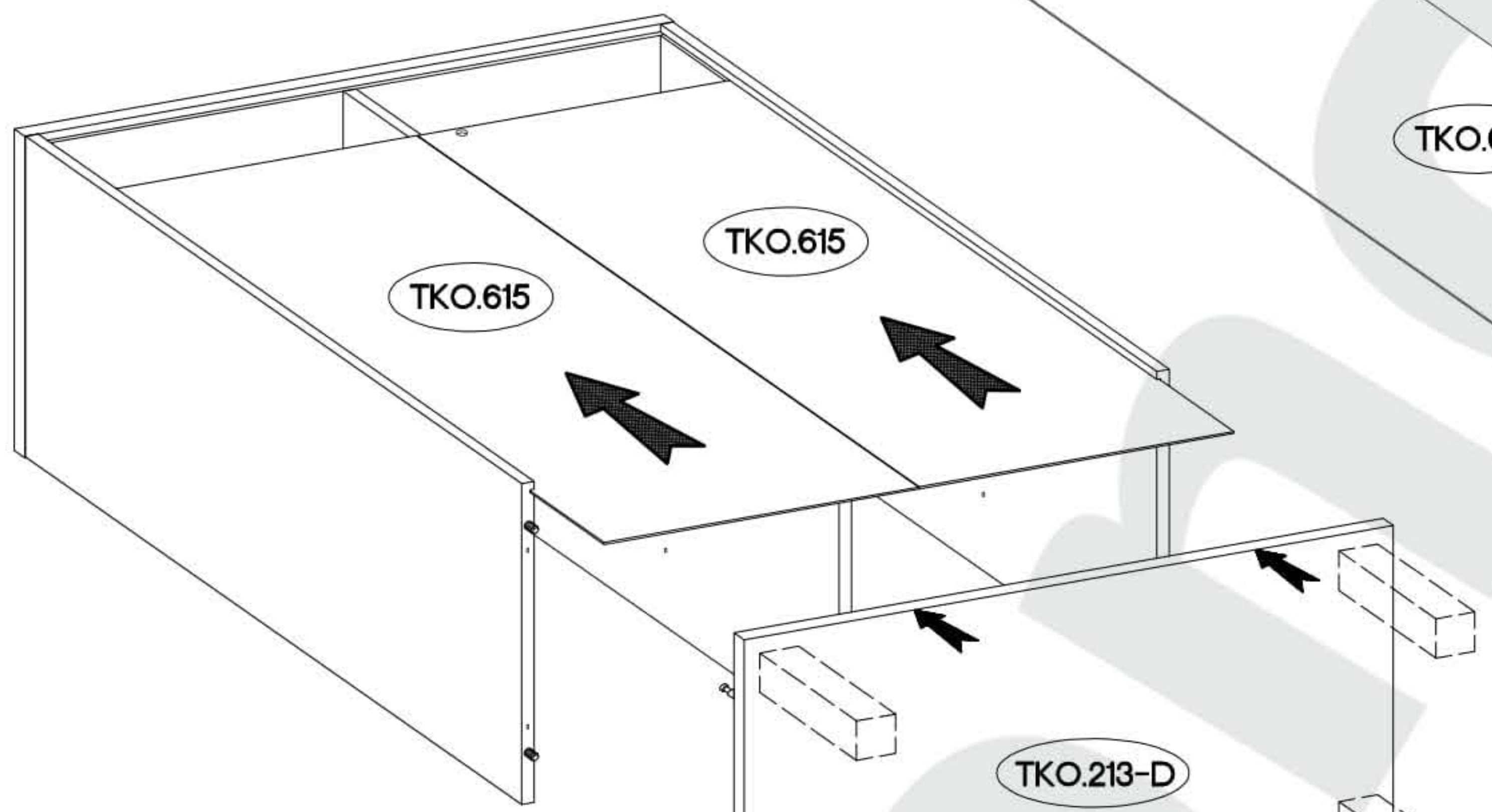
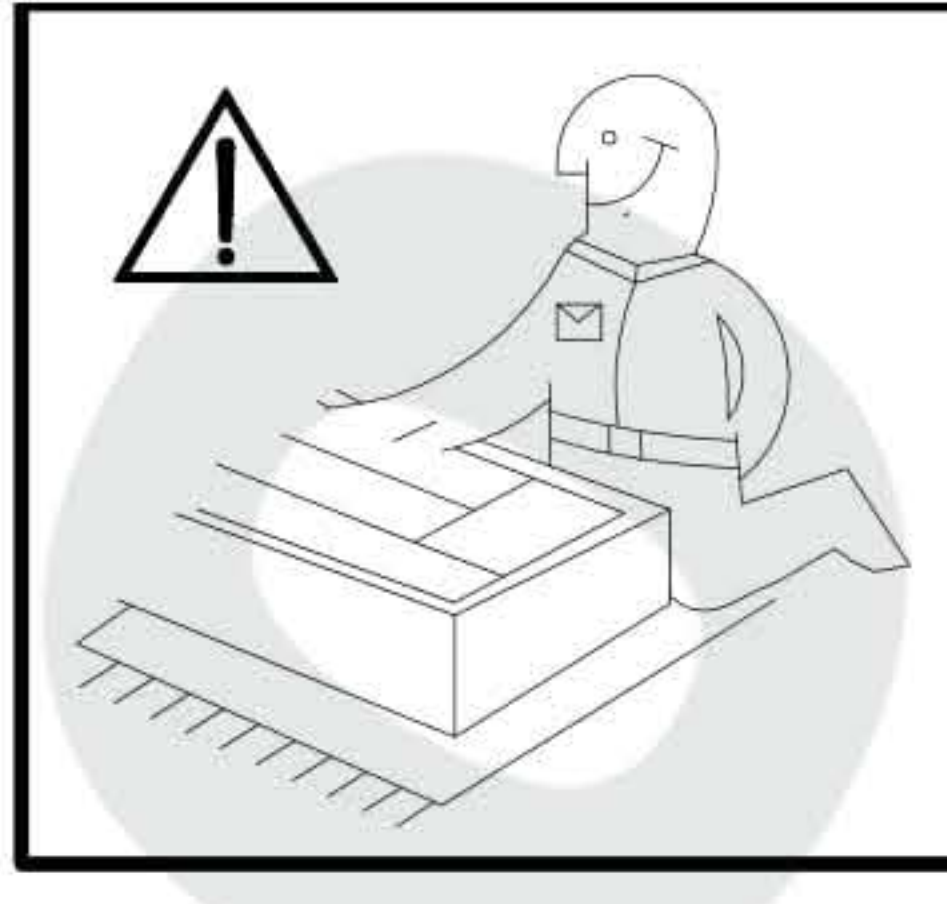
11

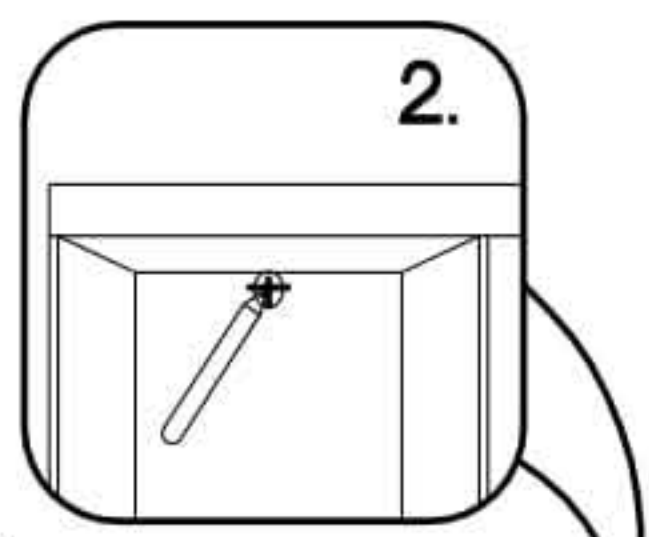


12

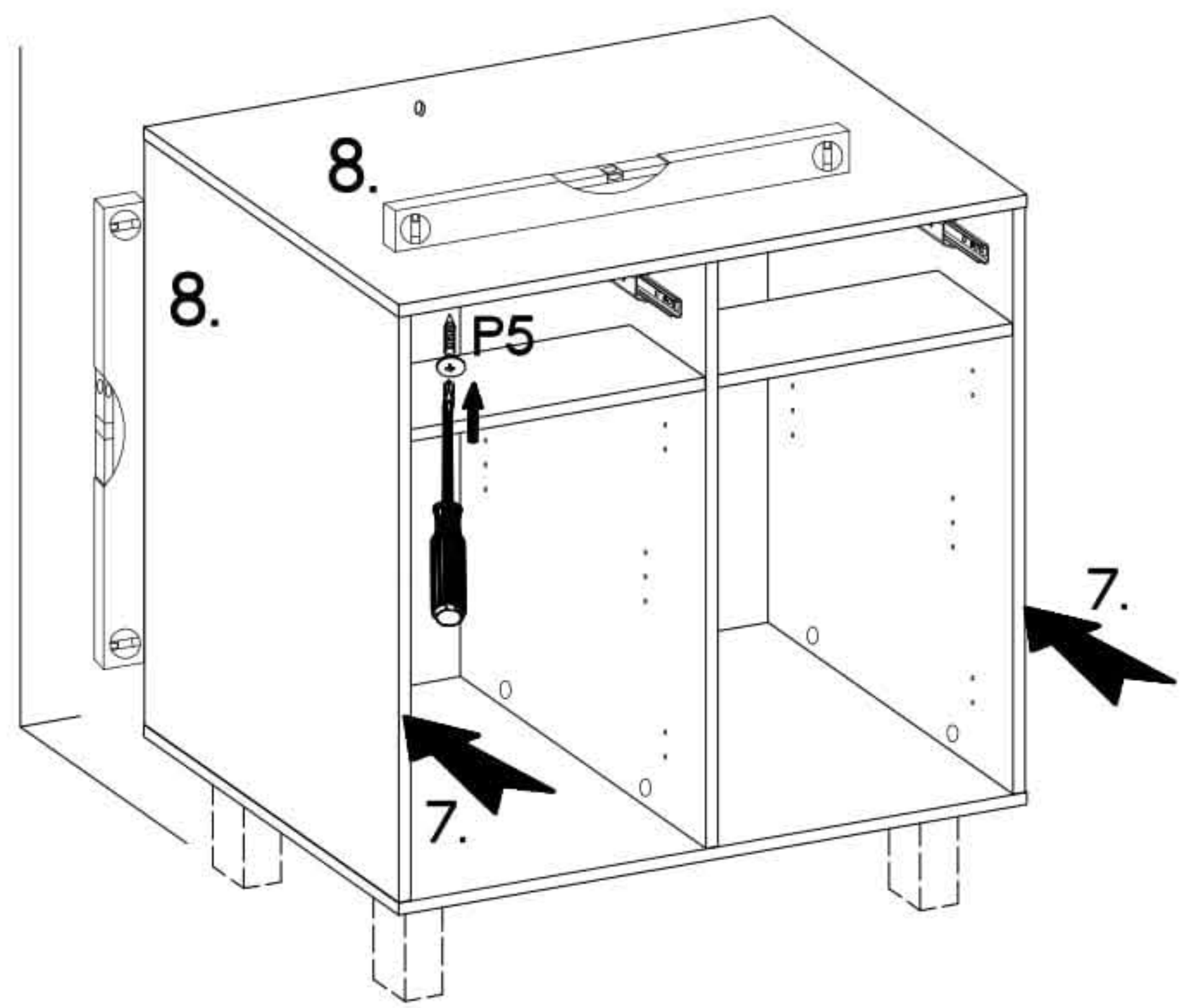
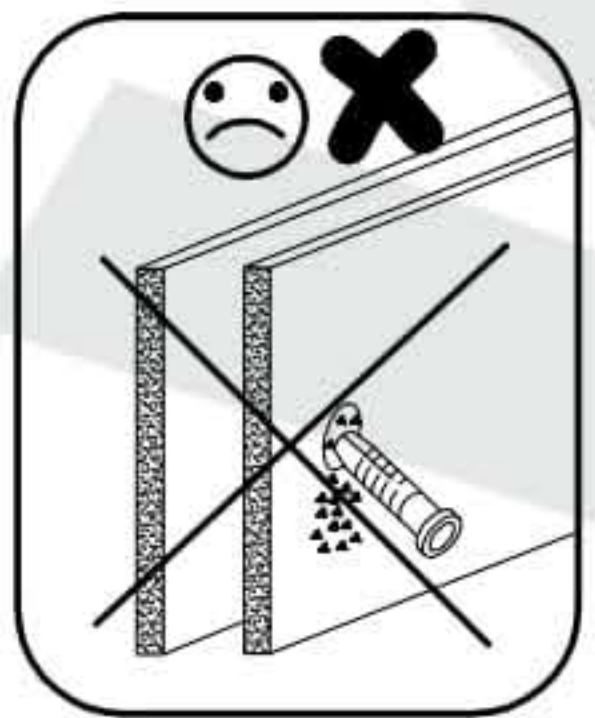
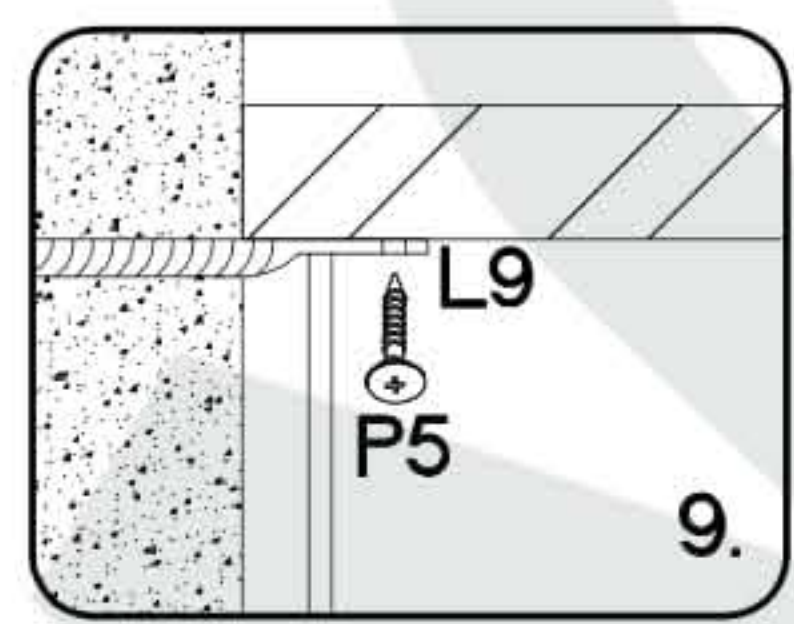
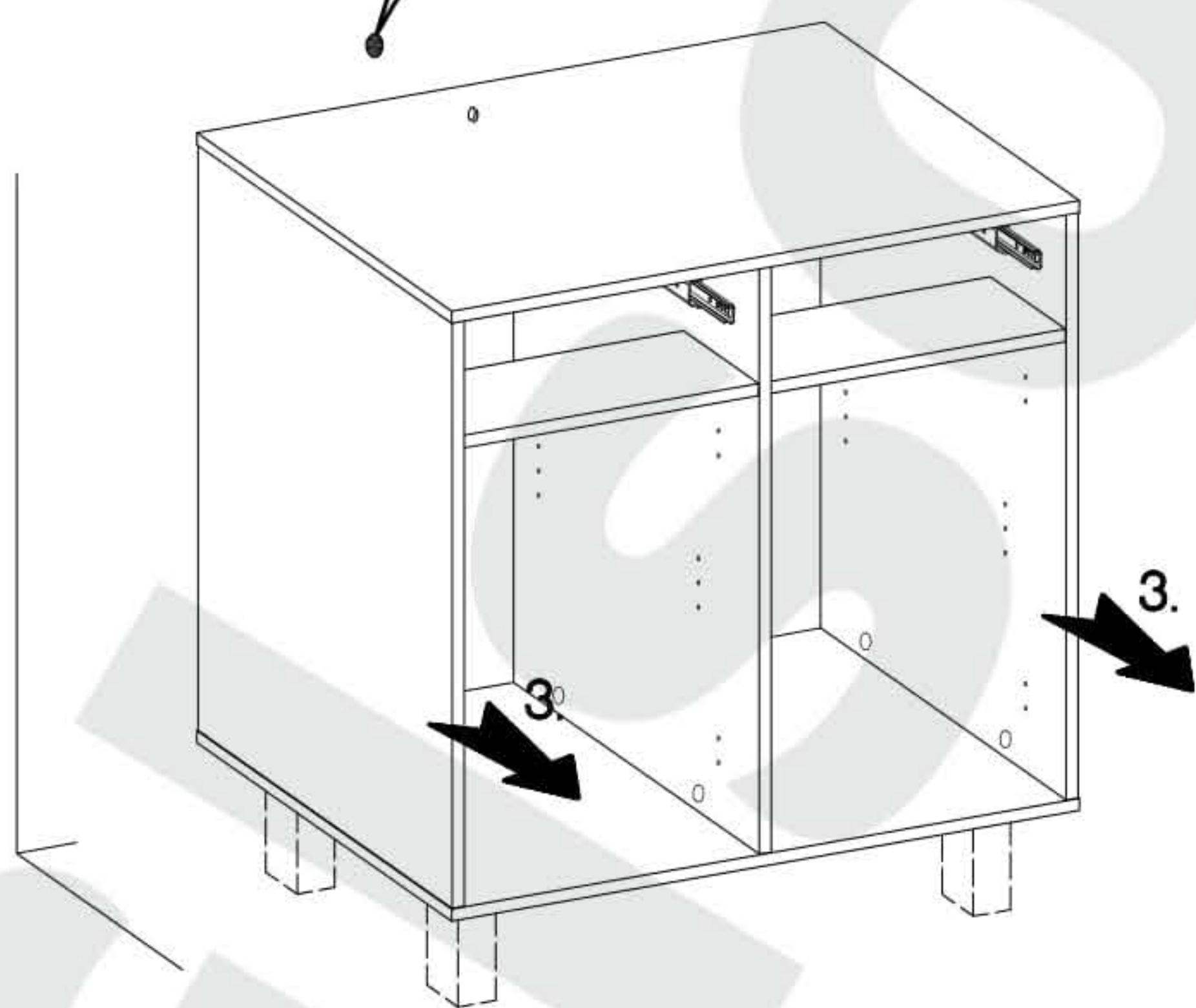
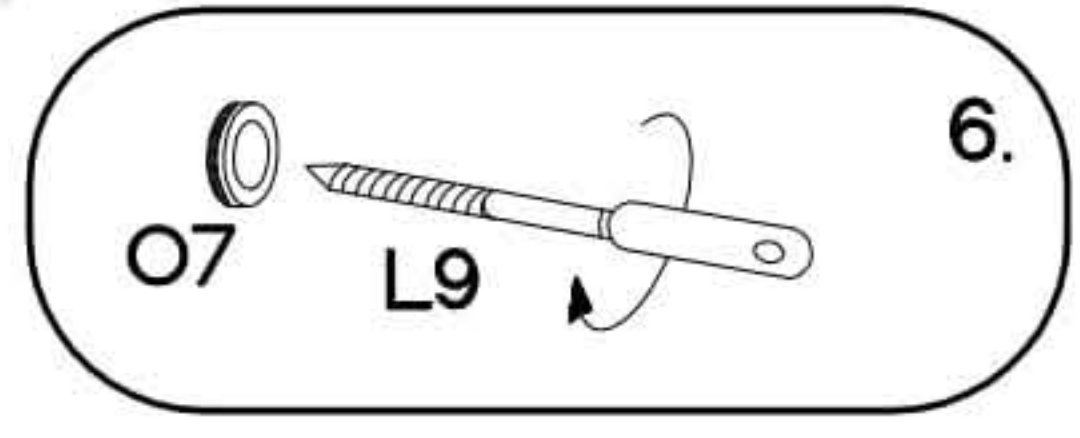
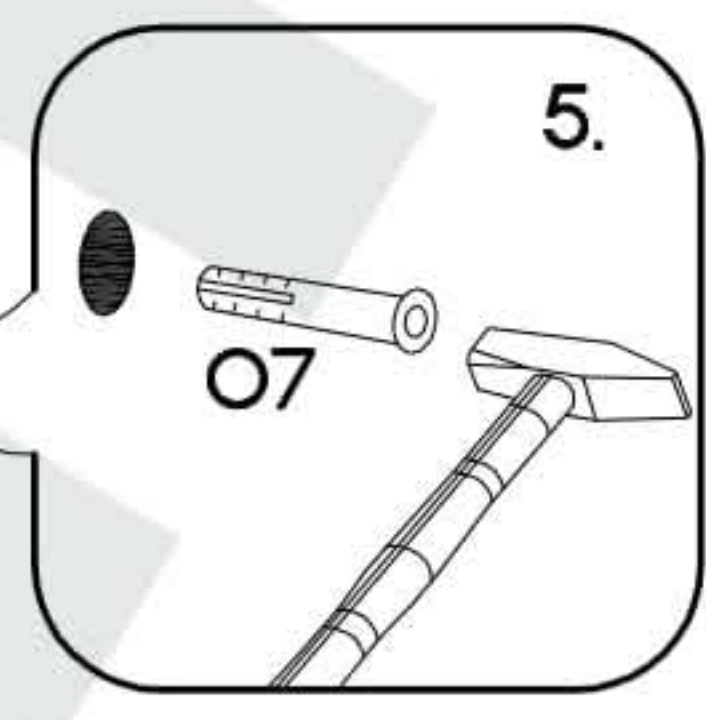
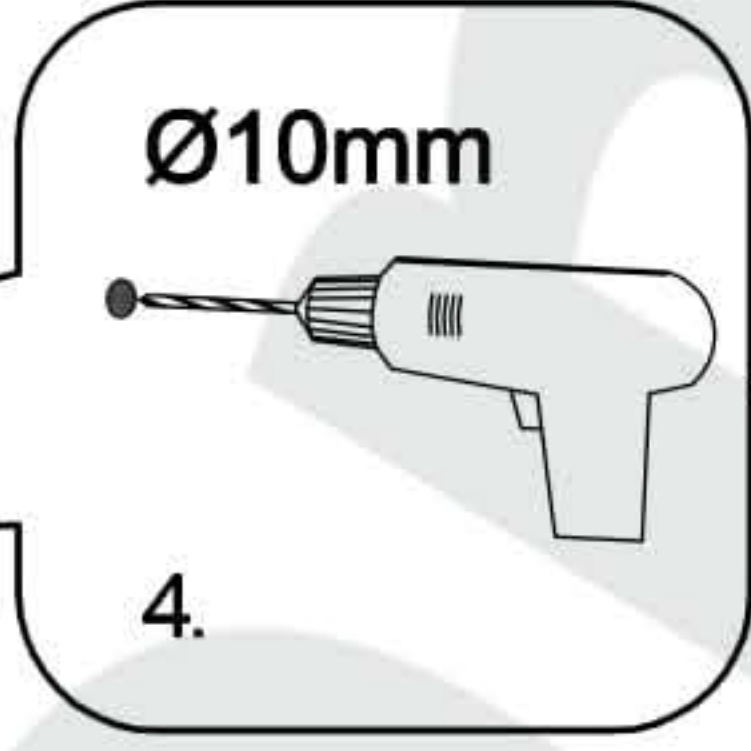
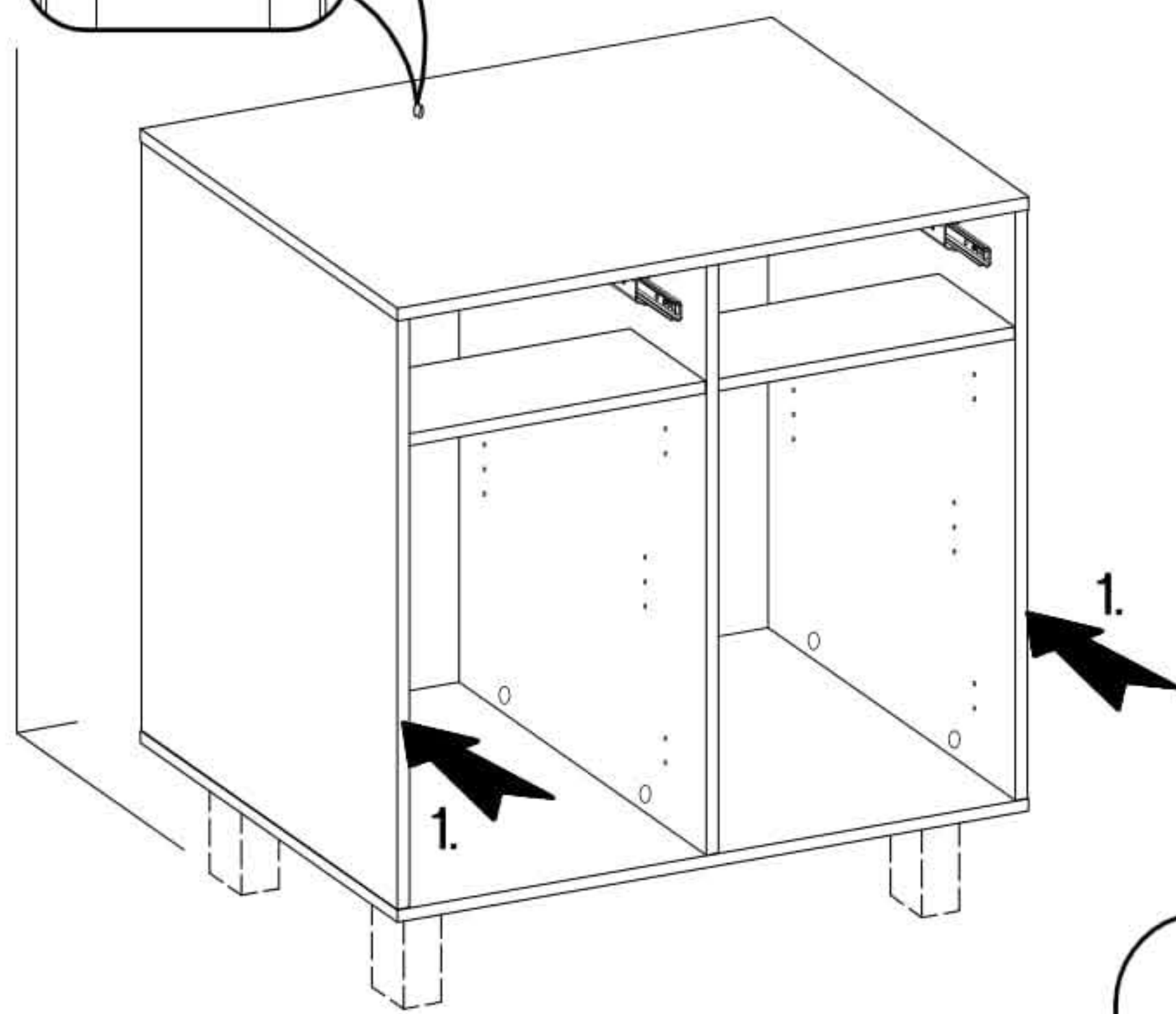


3.0x20mm			
	P7	L2	L
	7	7	14




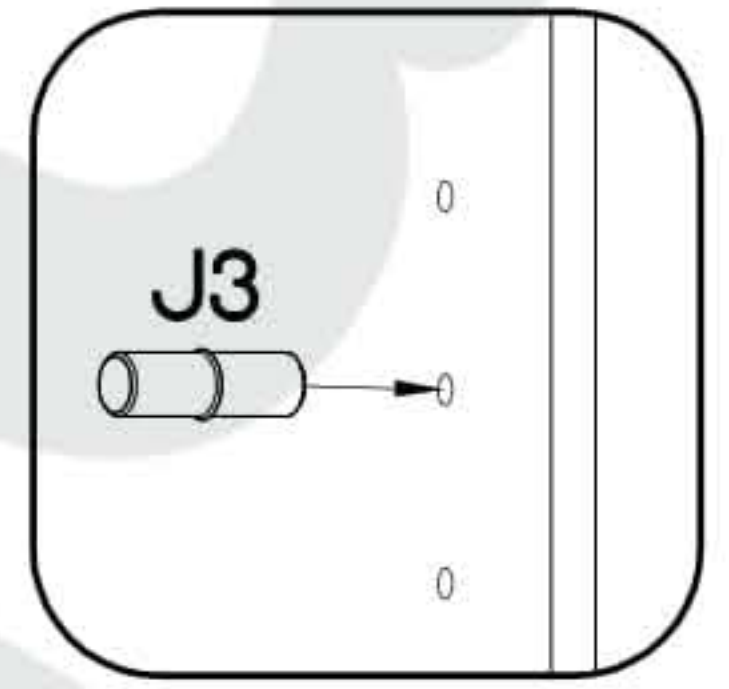
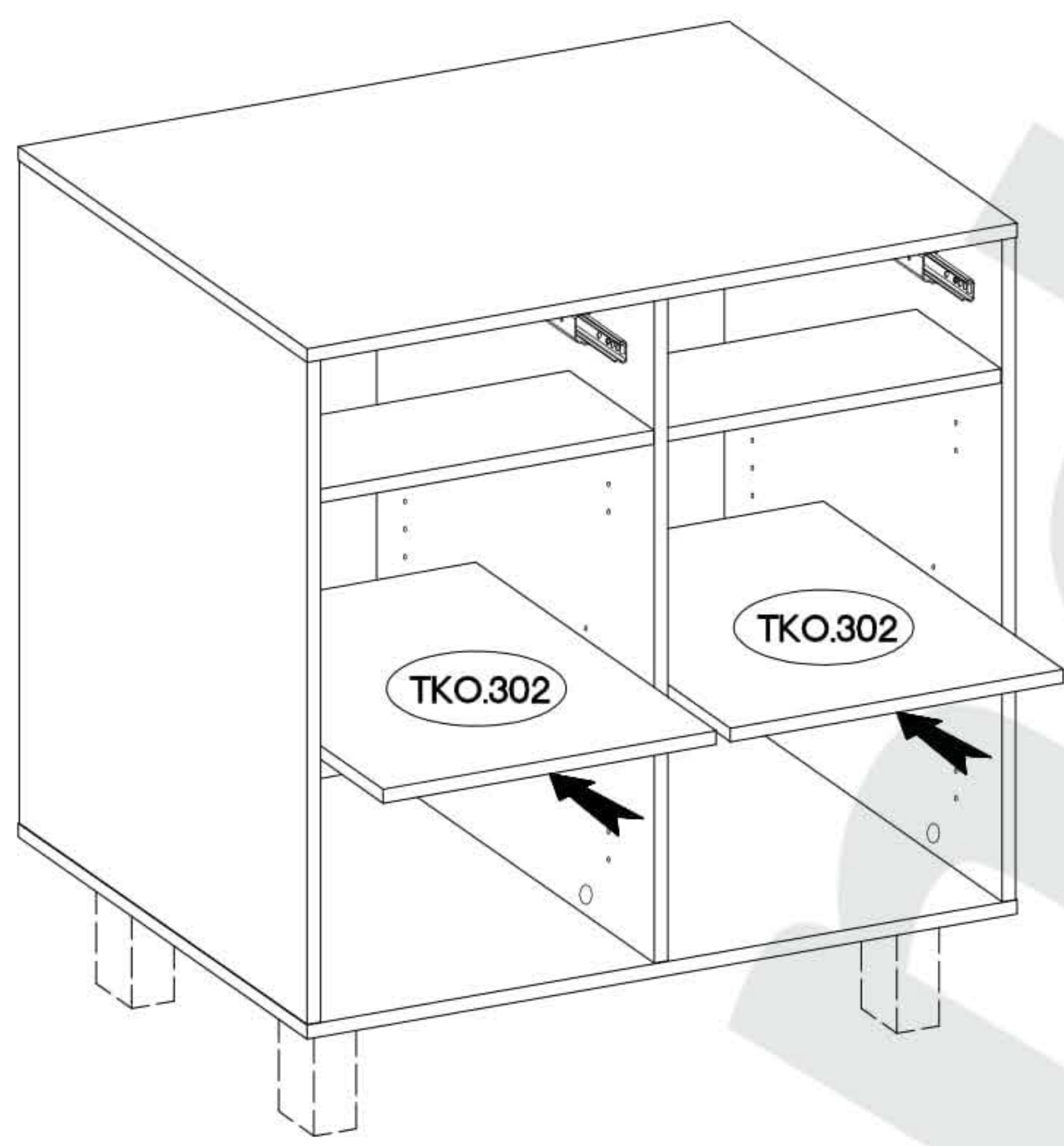


Ø10x50mm O7 1	L9 L9 1	Ø3.5x13mm P5 1
--------------------------------	--------------------------	---------------------------------





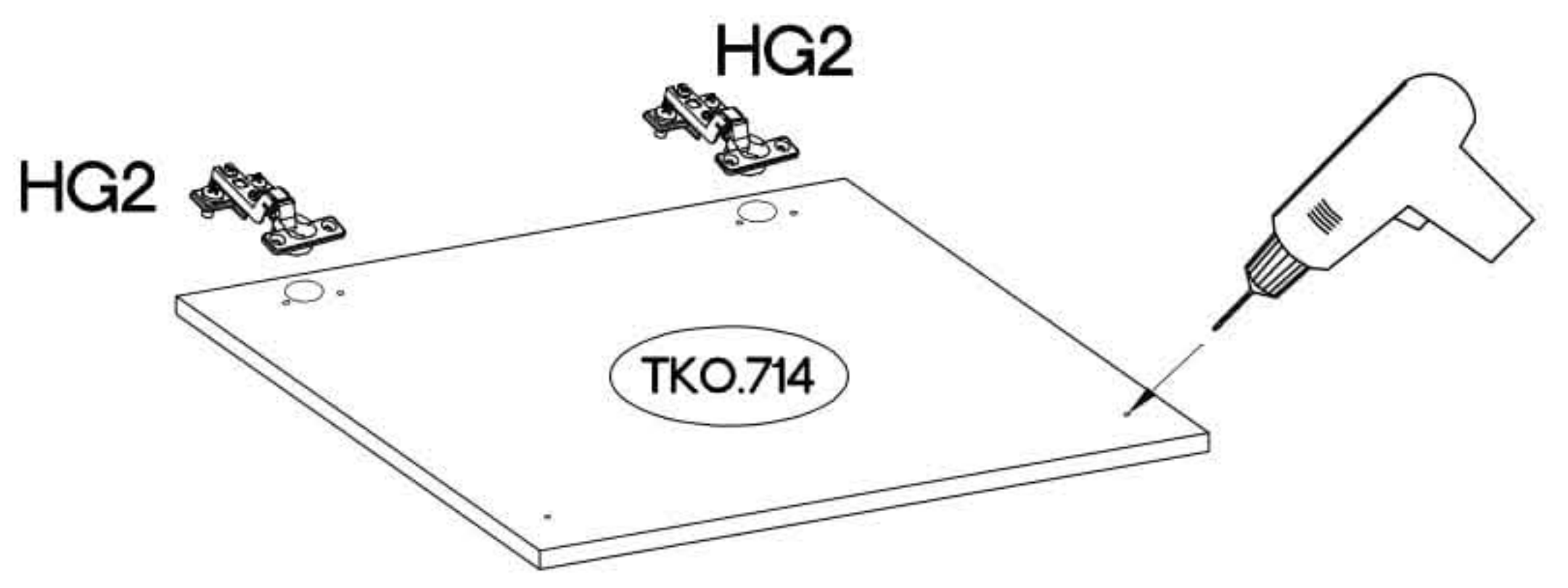
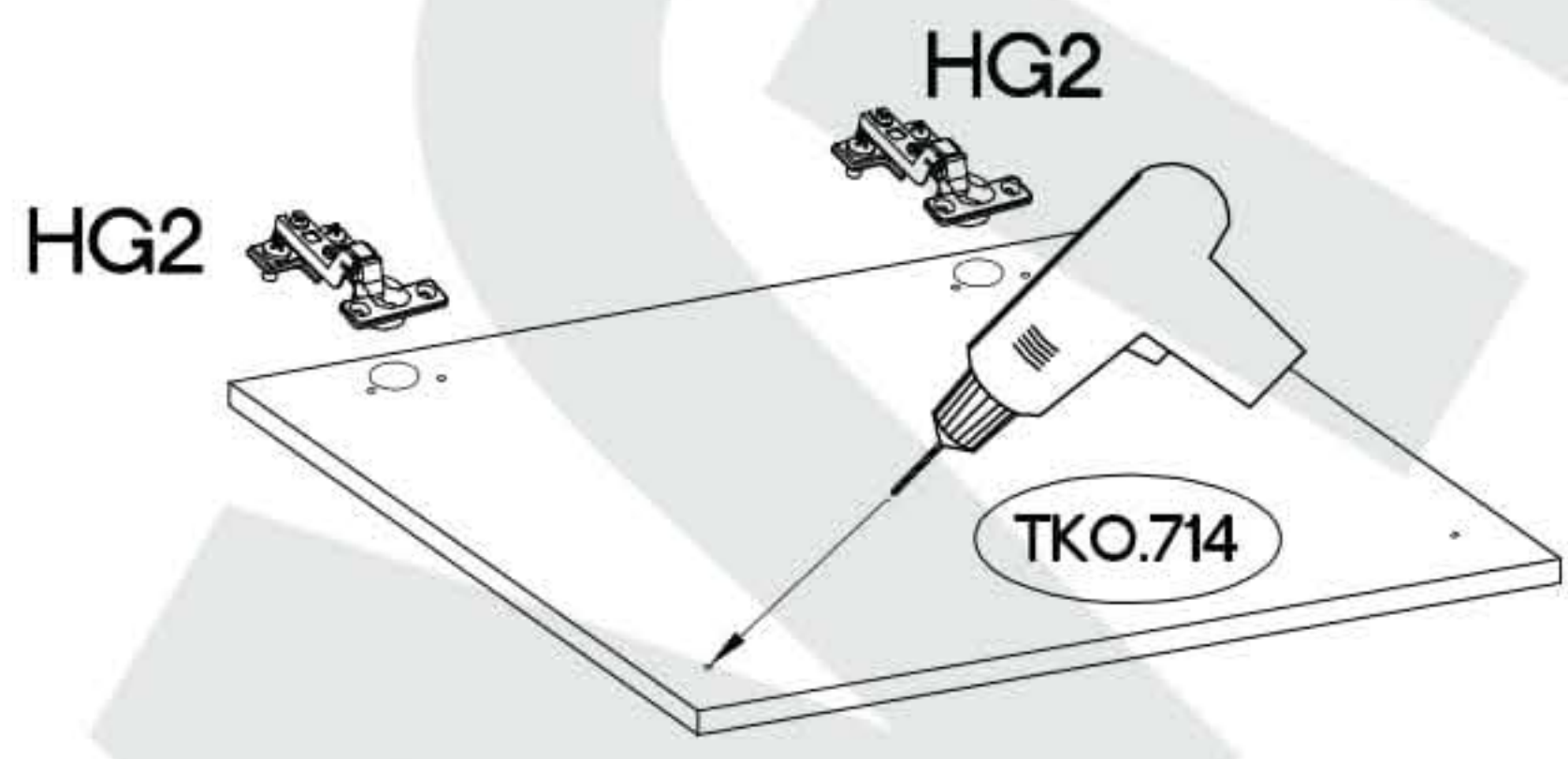
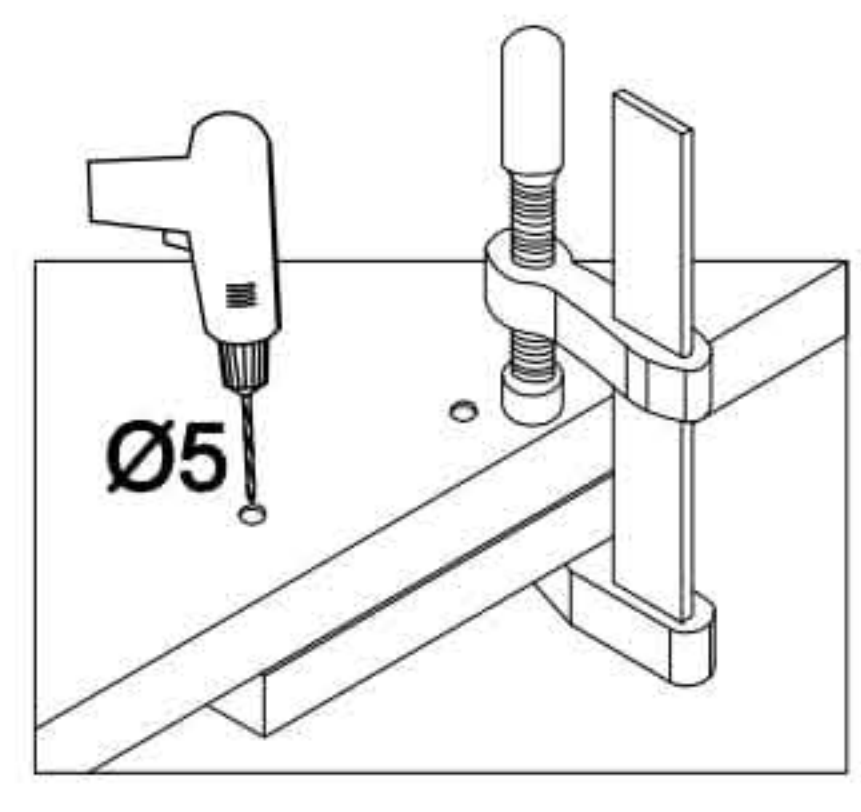
15

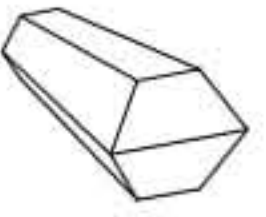


$\pm 5/16\text{mm}$  J3
8

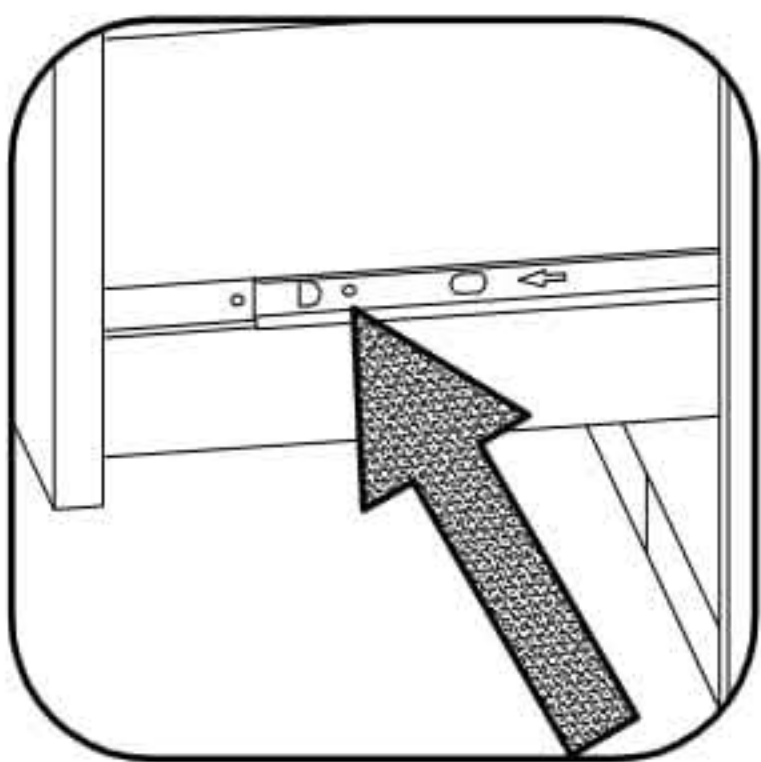
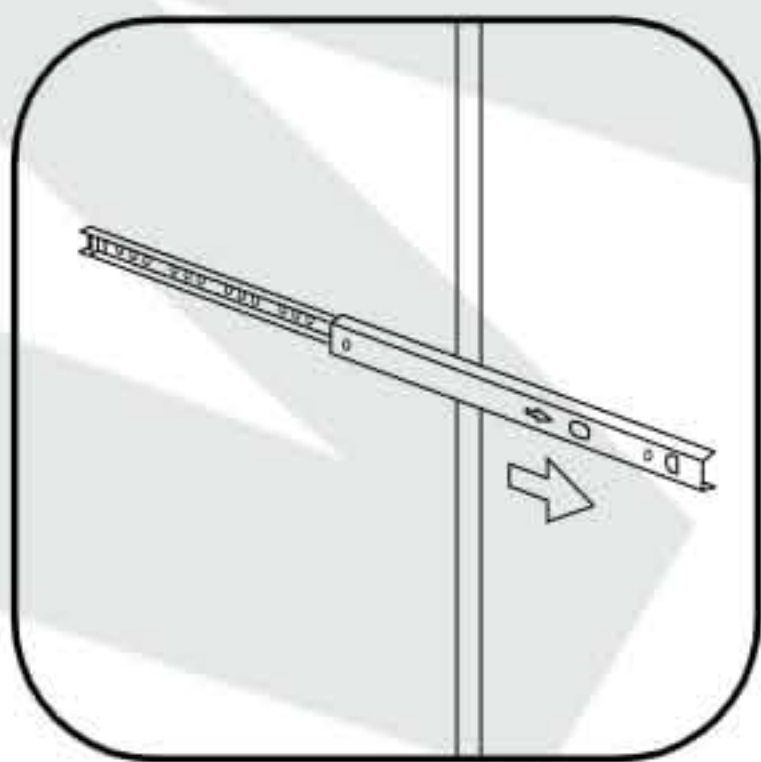
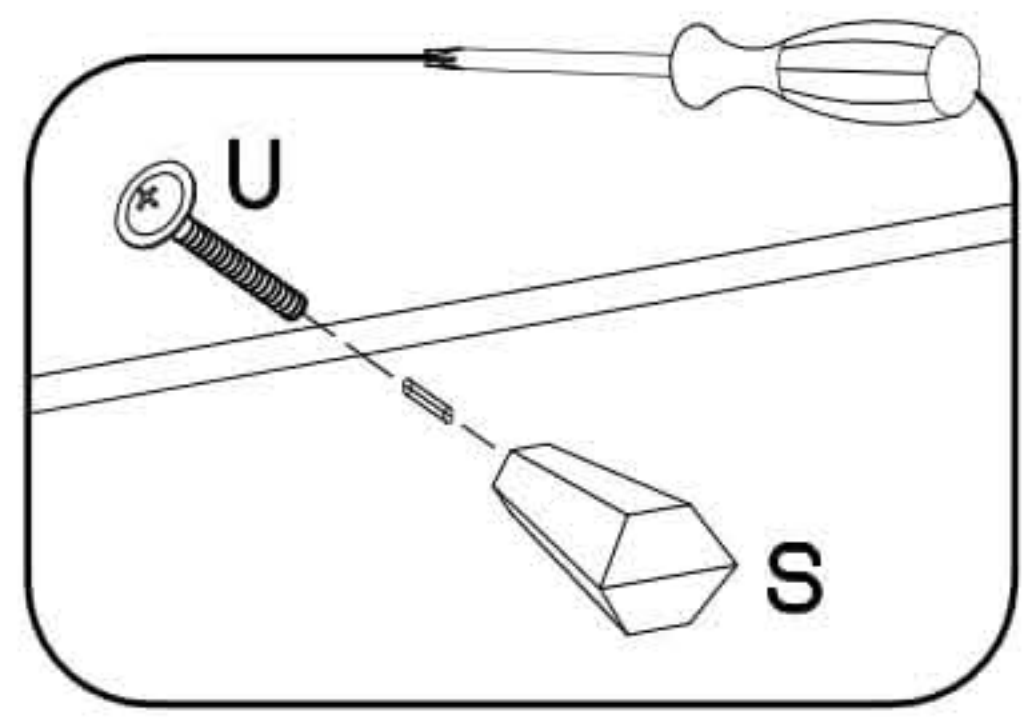
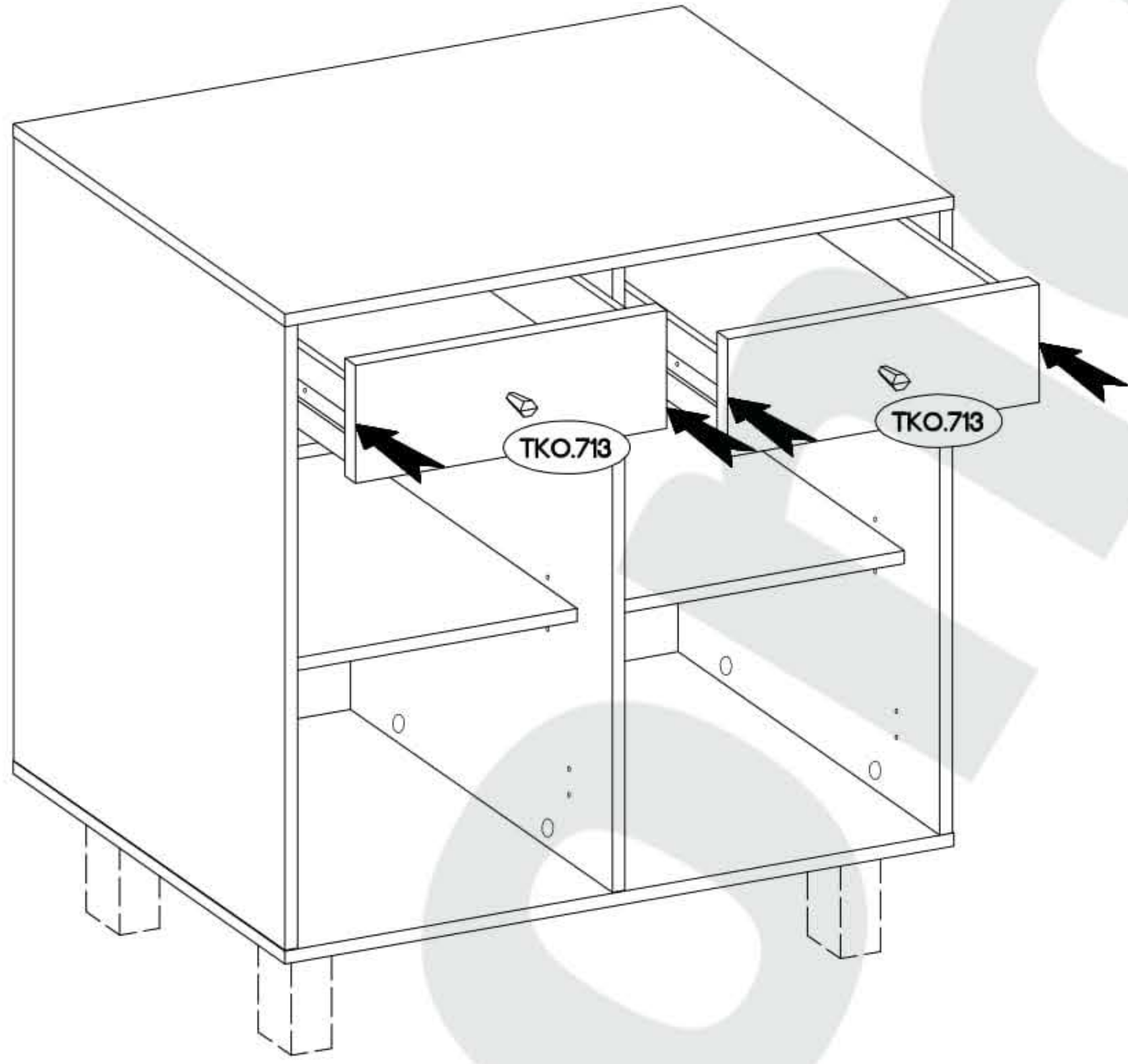


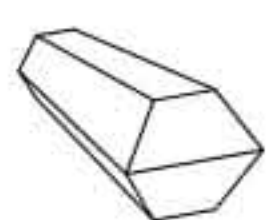



16

$\pm 35/16\text{mm}$  HG2	$\pm 3.5 \times 13\text{mm}$  P5
4	8



 S	M4x22mm  U	M4x9mm  U1
2	2	4



 S	 M4x22mm U	 J12	 φ20 E11
2	2	2	10

