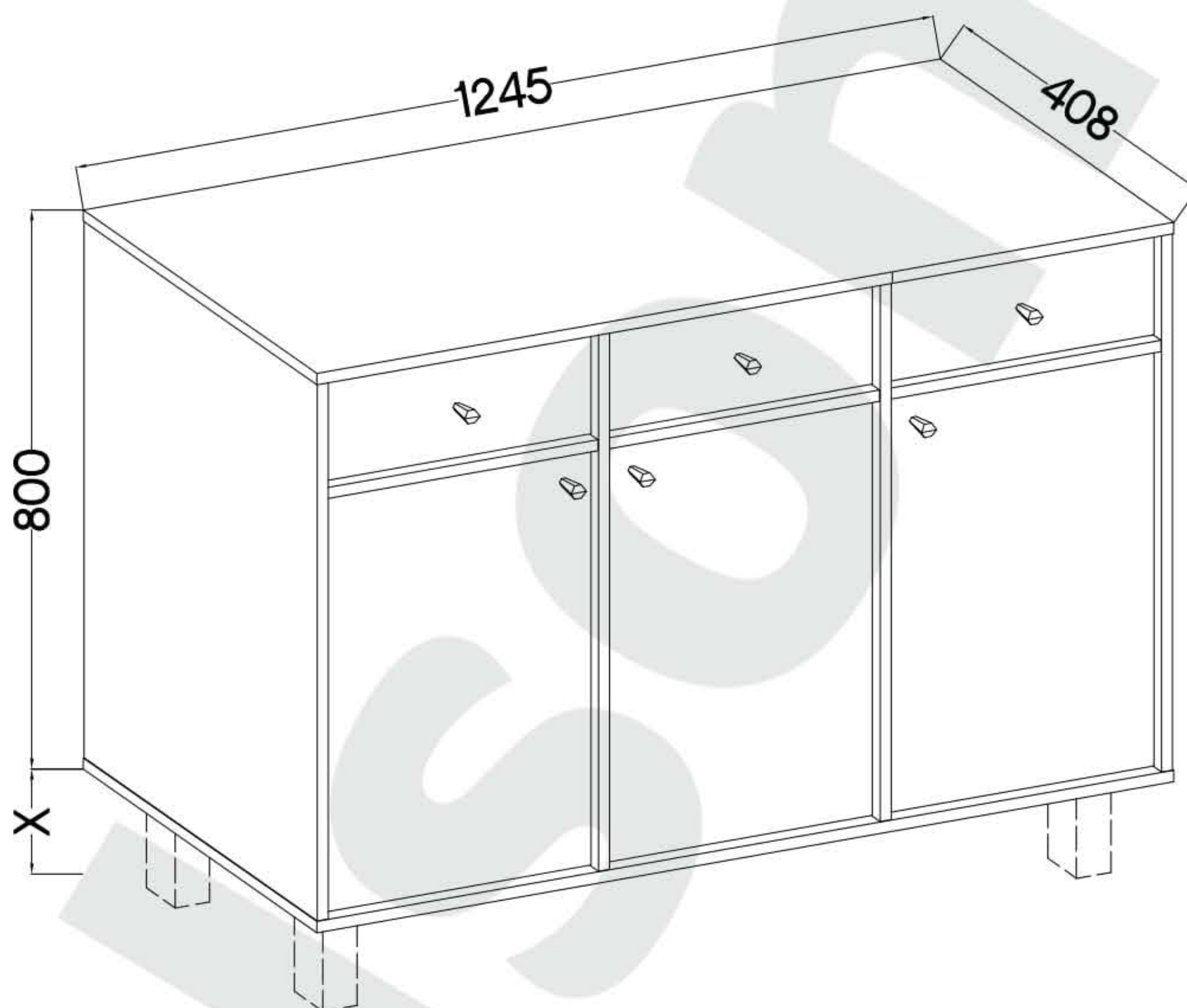


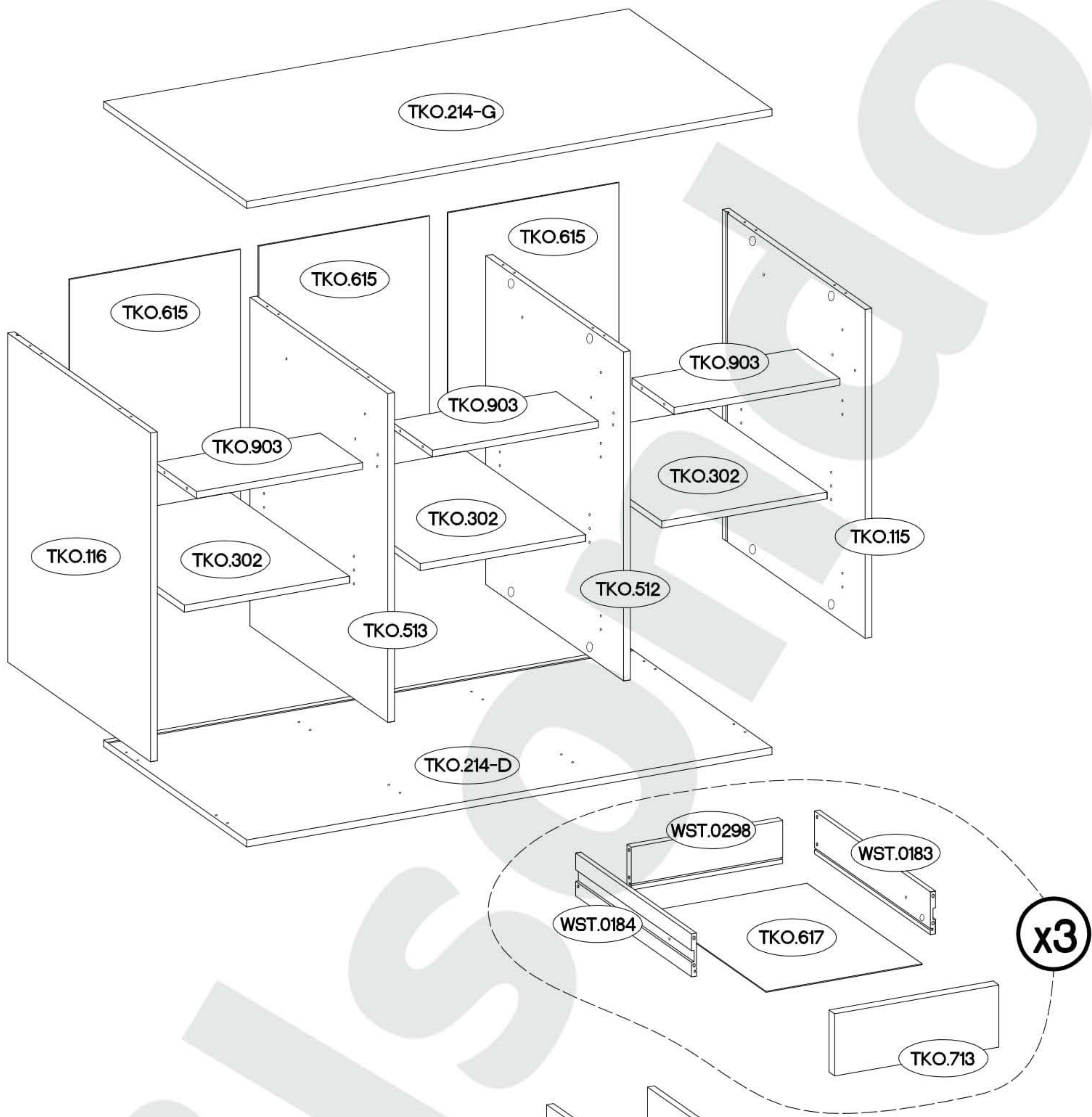
90 min

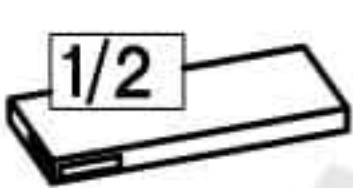
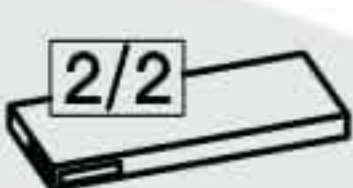
TYP 827

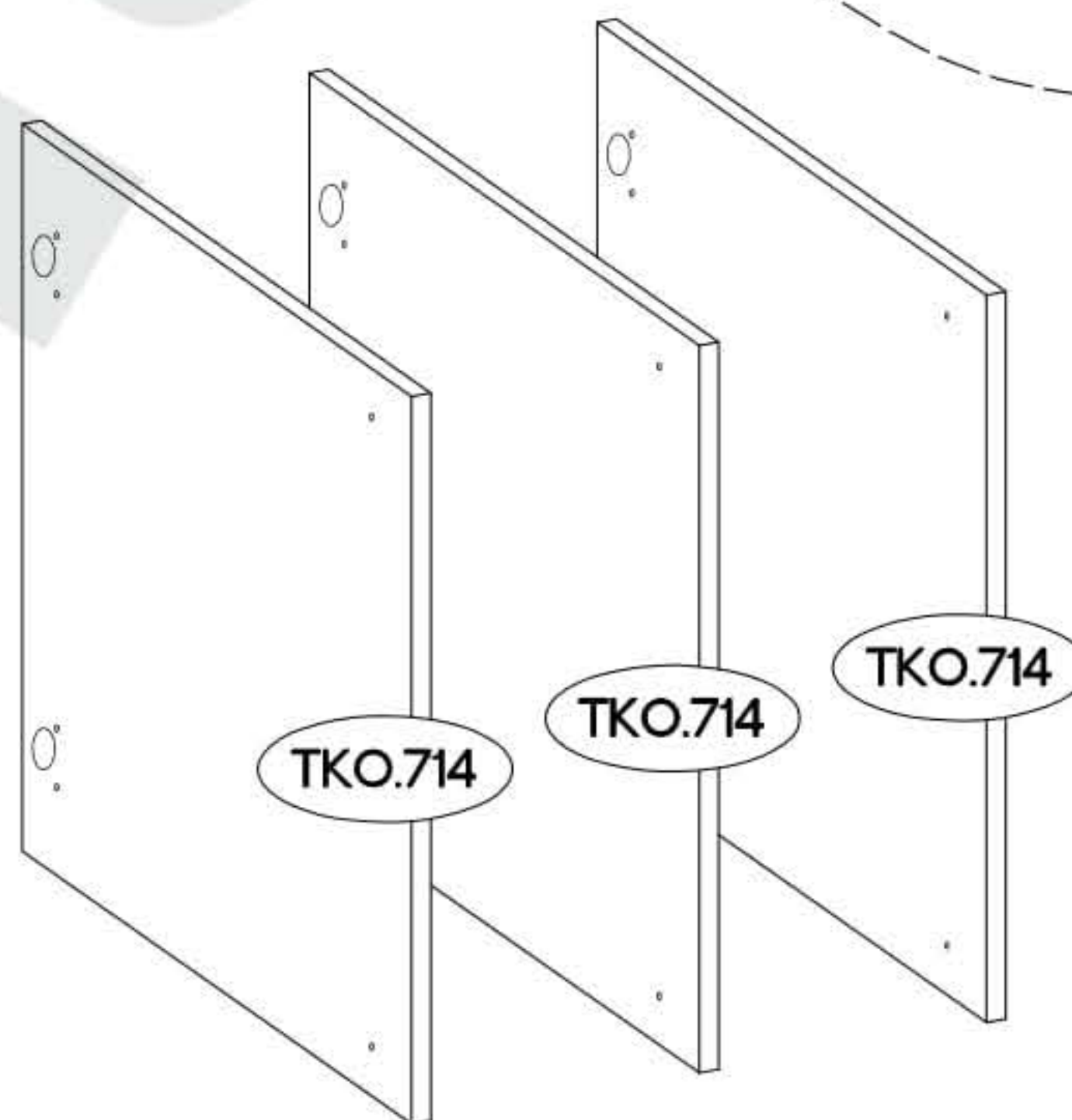


<p>†8x30mm A 34</p>	<p>†6x42mm B2 6</p>	<p>†15/12mm C 22</p>	<p>†12/10mm C5 6</p>	<p>L=20mm D2 24</p>	<p>L=56mm D4 2</p>	<p>†20 E11 14</p>	<p>†35/16mm HG2 6</p>	<p>27/310mm I4 3</p>	<p>†5/16mm J3 12</p>	
<p>J12 3</p>	<p>L 24</p>	<p>L2 14</p>	<p>L9 1</p>	<p>†6,3x13mm M2 12</p>	<p>†10x50mm O7 1</p>	<p>†3.5x13mm P5 13</p>	<p>†3.0x20mm P7 14</p>	<p>S 6</p>	<p>M4x22mm U 6</p>	<p>M4x9mm U1 6</p>

ISM-TKO-015



	Ersatzteil Nummer	Dimension
	TKO.115	768x407x16
	WST.0183 x3	330x100x12
	WST.0184 x3	330x100x12
	WST.0298 x3	359x100x12
	TKO.713 x3	389x145x16
	TKO.714 x3	595x389x16
	TKO.116	768x407x16
	TKO.512	768x393x16
	TKO.513	768x393x16
	TKO.214 x2	1245x408x16
	TKO.903 x3	393x120x16
	TKO.302 x3	392x340x16
	TKO.615 x3	777x405x2,5
	TKO.617 x3	370x327x2,5



TKO.214-D  
TKO.214-G





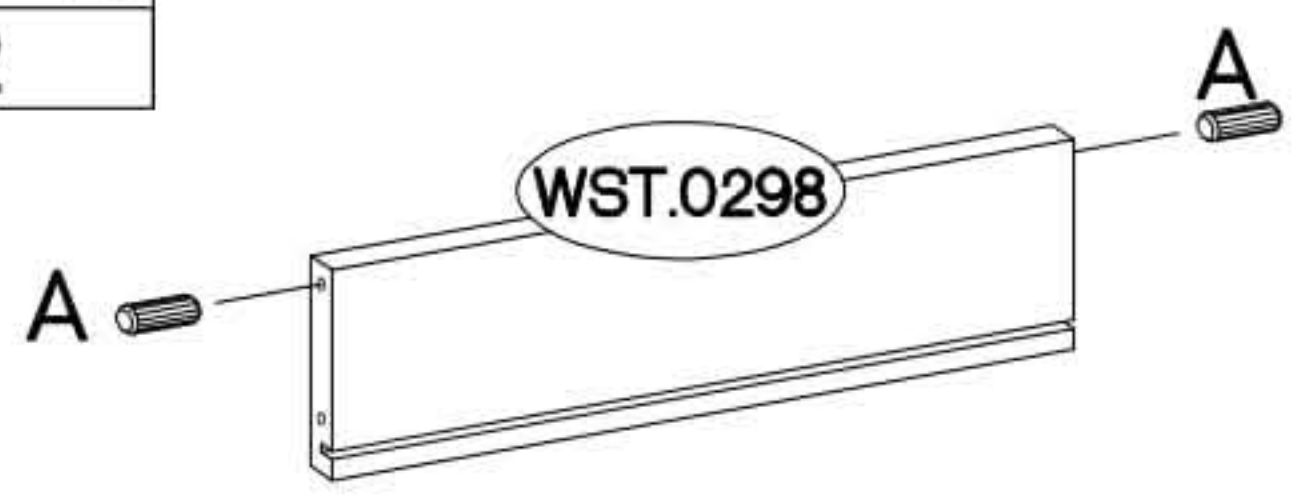
TKO.302



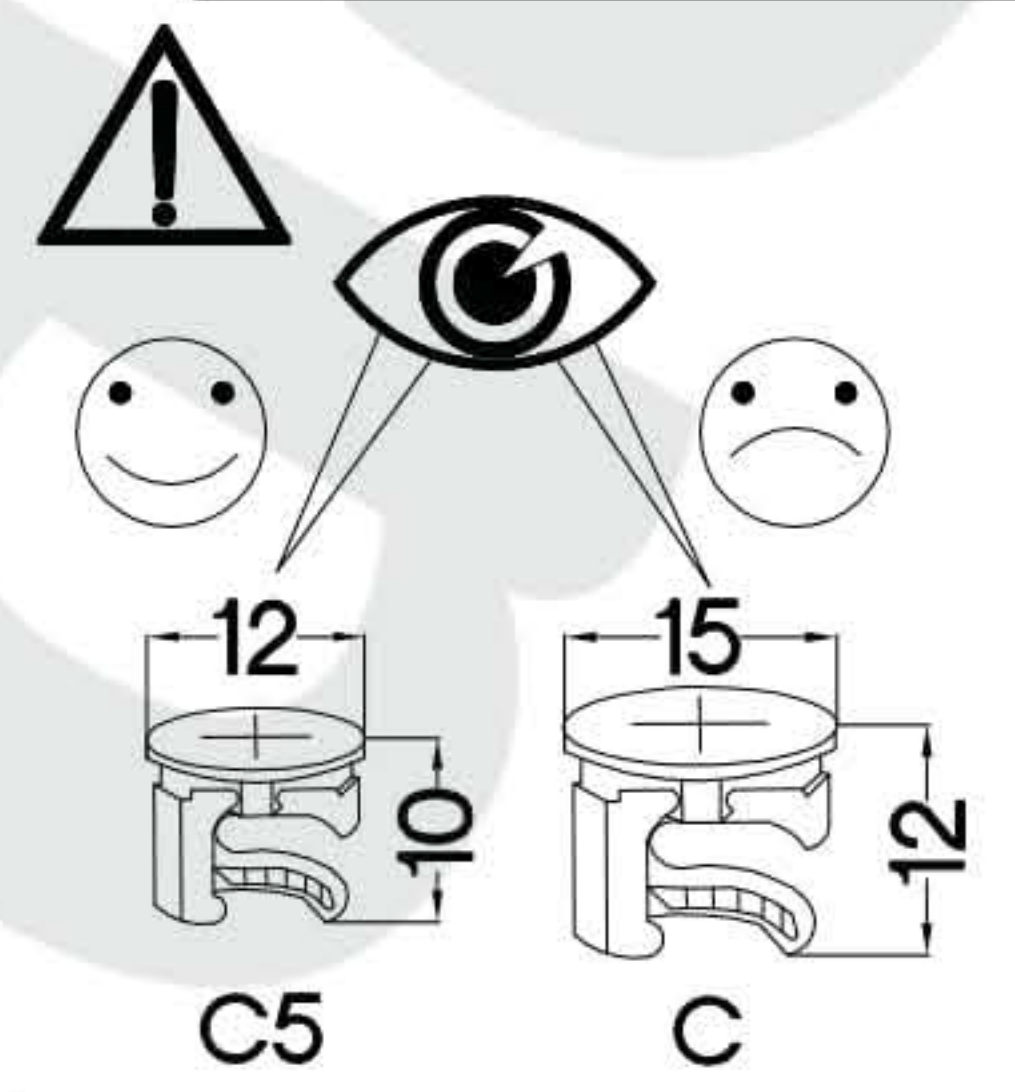
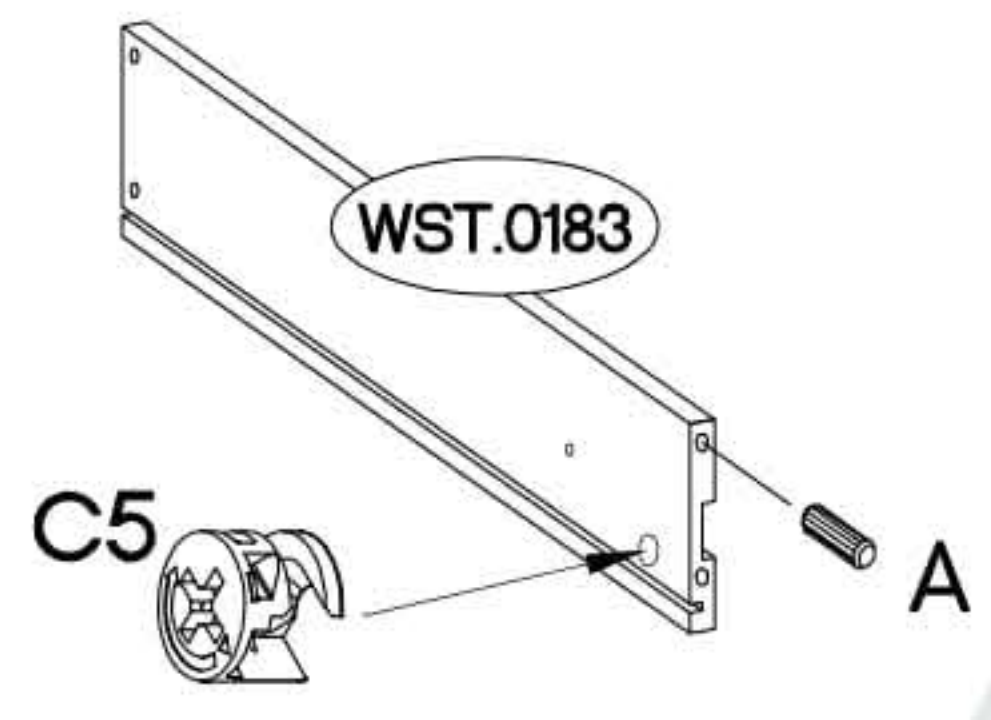
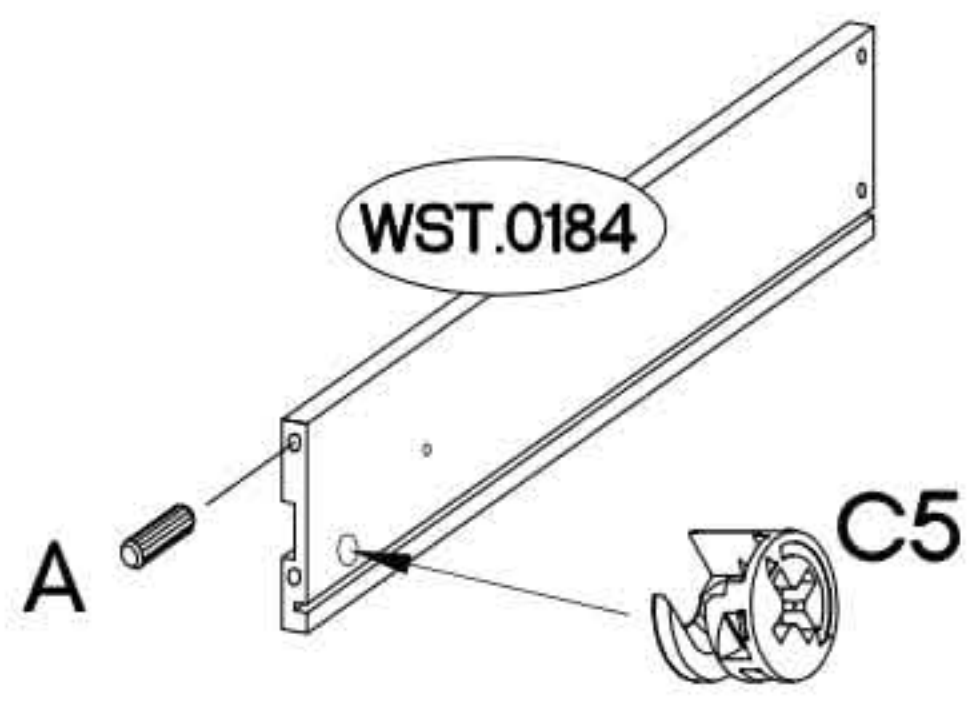
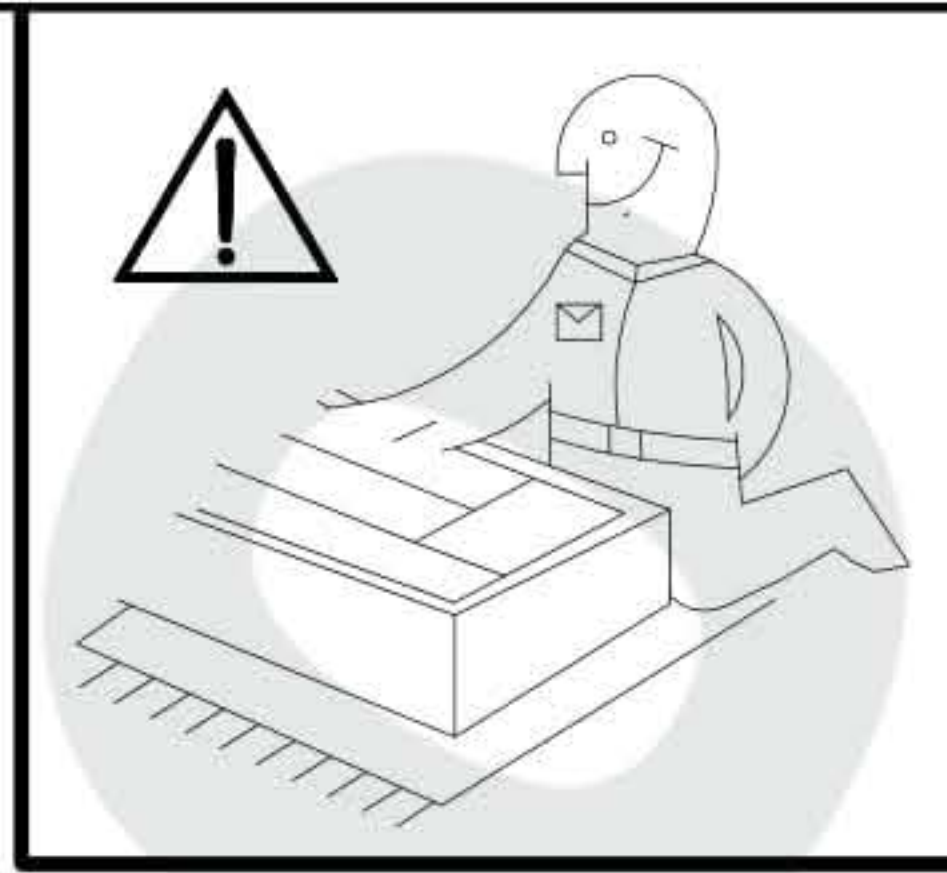
TKO.617

1

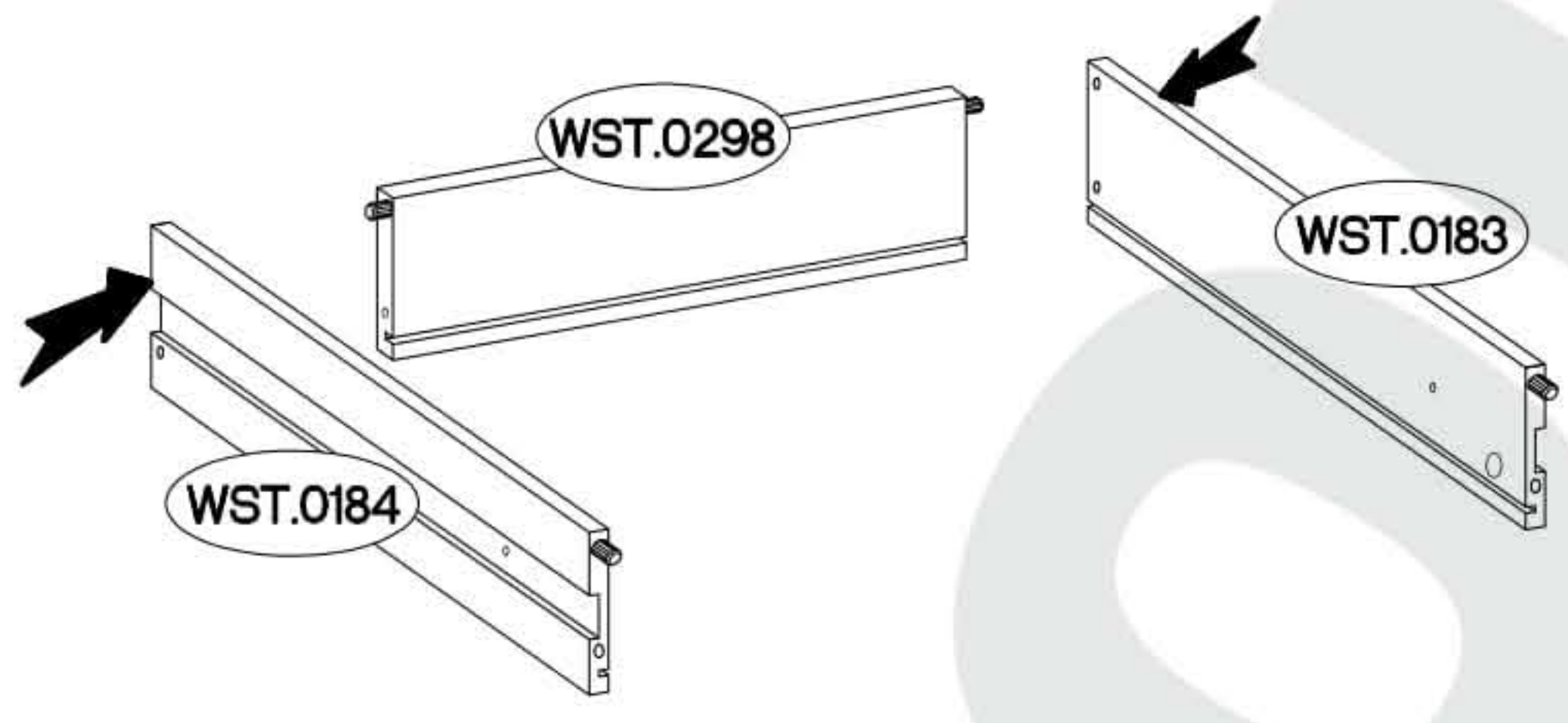
±12/10mm  C5 6	±8x30mm  A 12
---	--




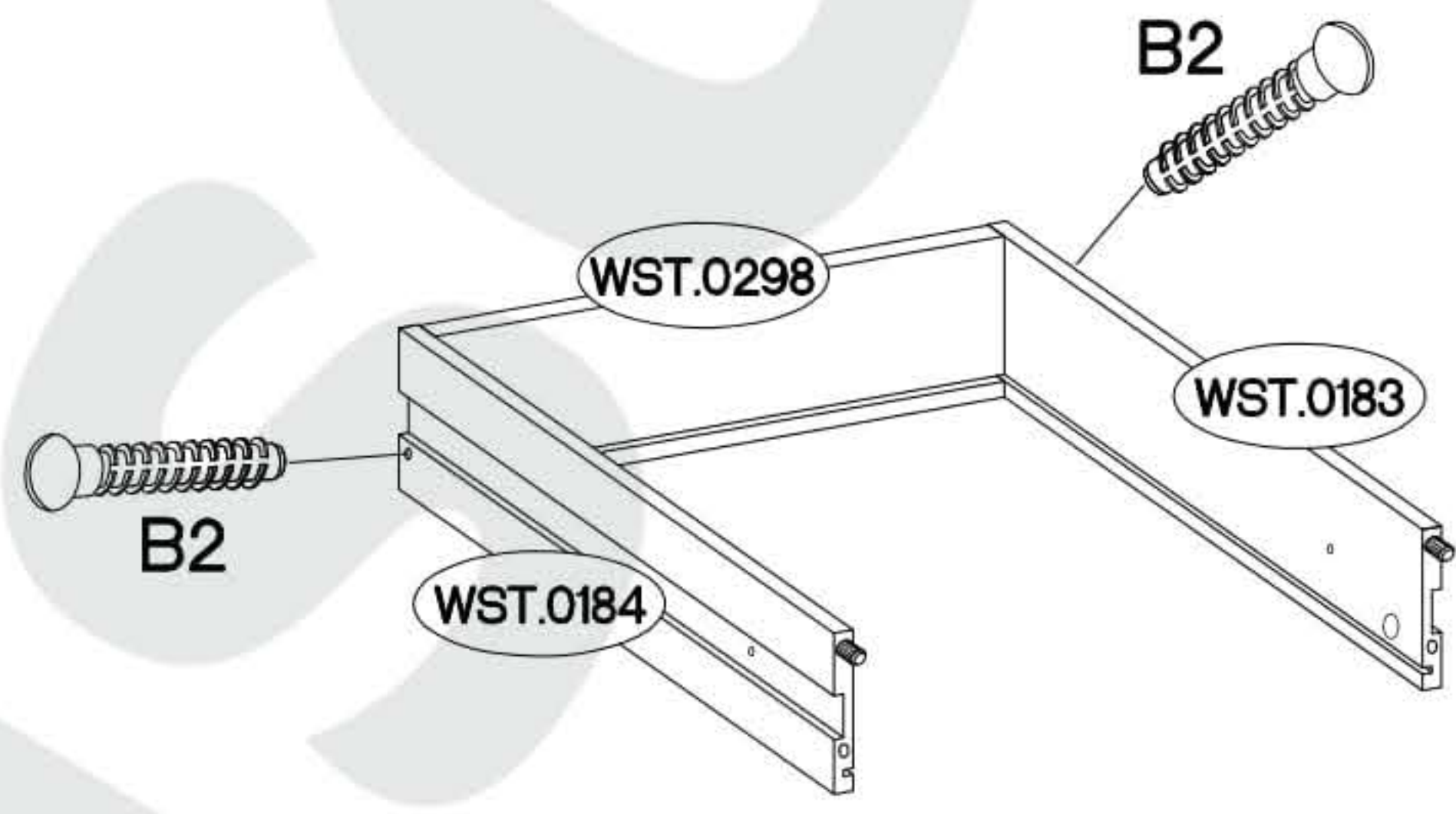
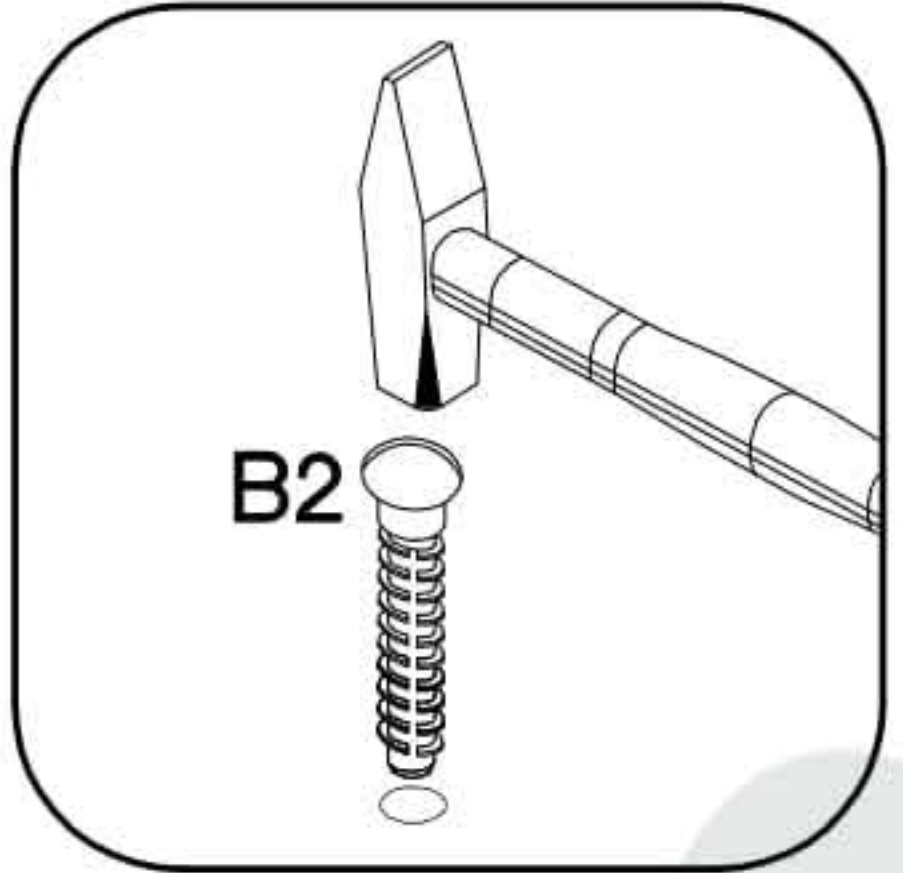
x3



2




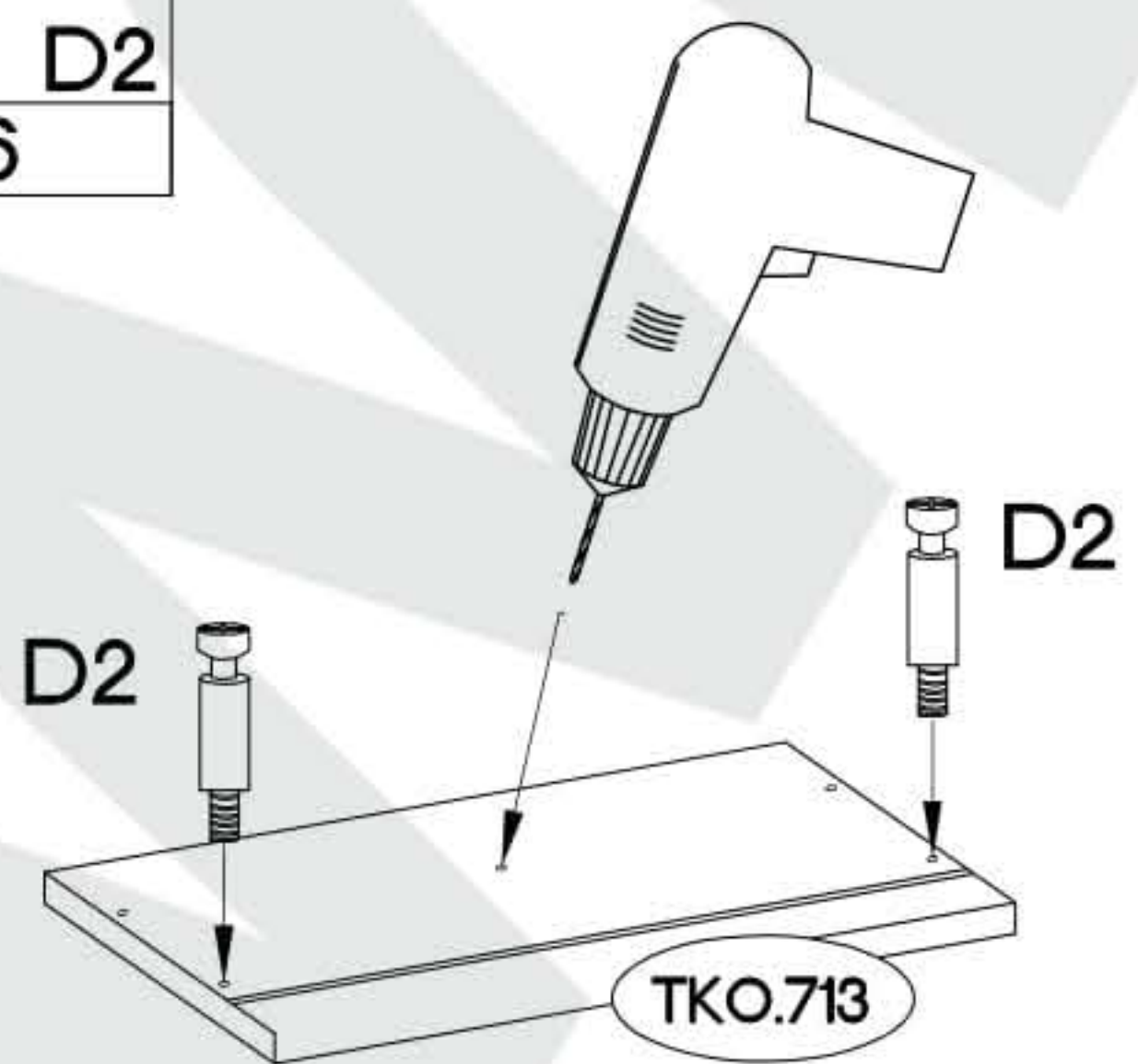
±6x42mm  B2 6
---



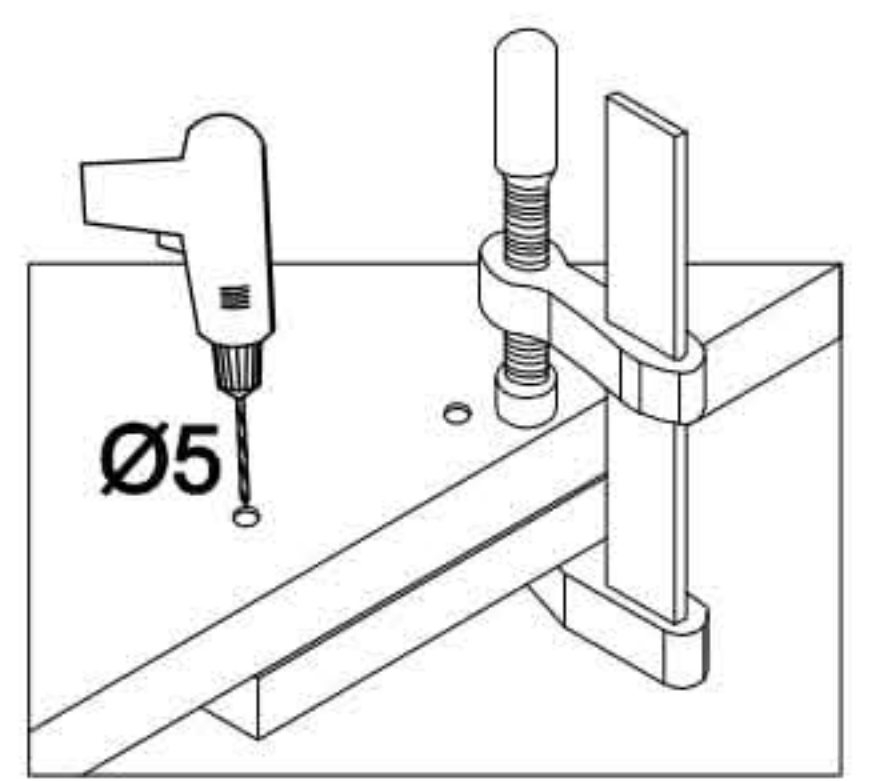
x3

3

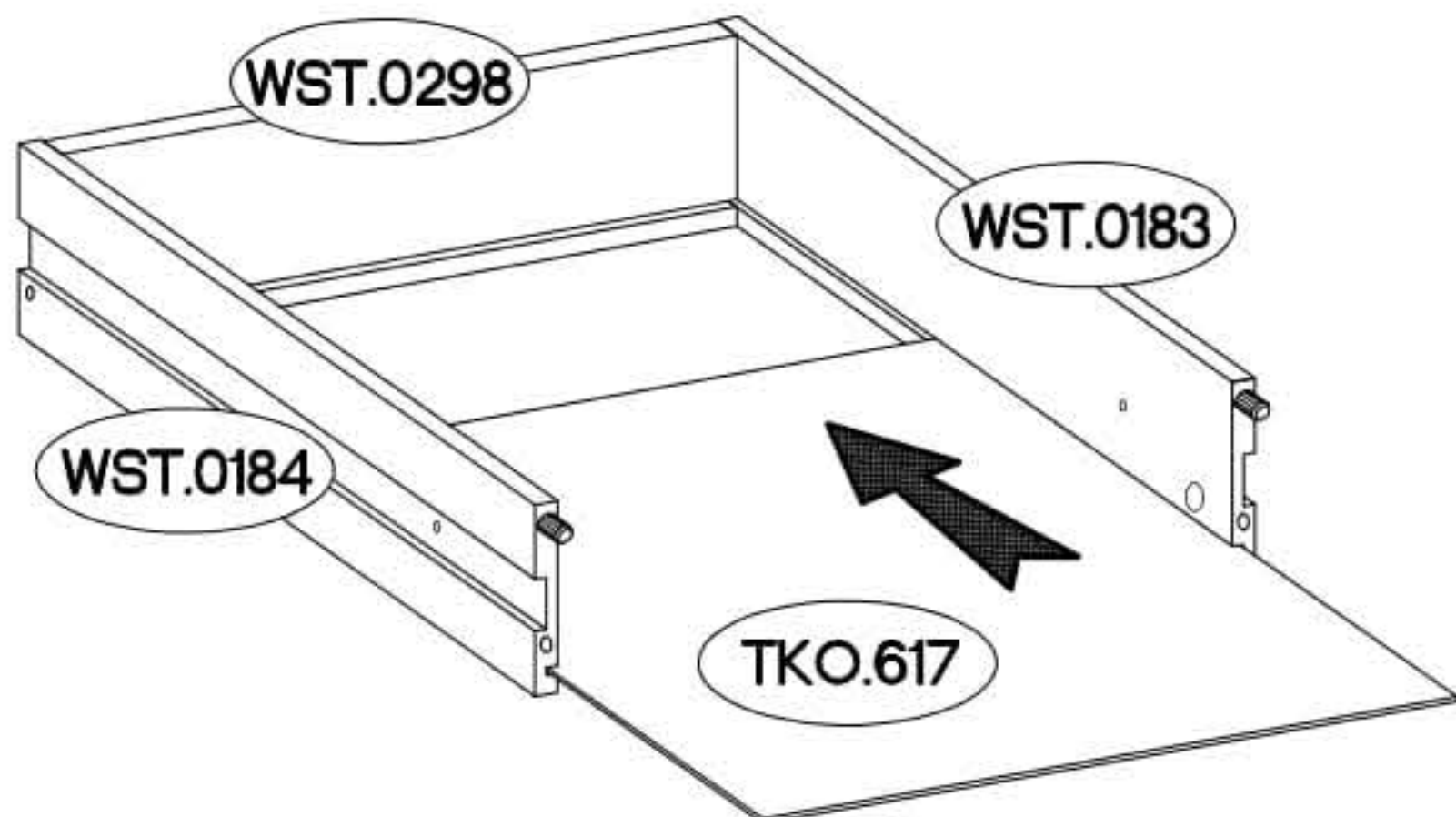
L=20mm  D2 6
--



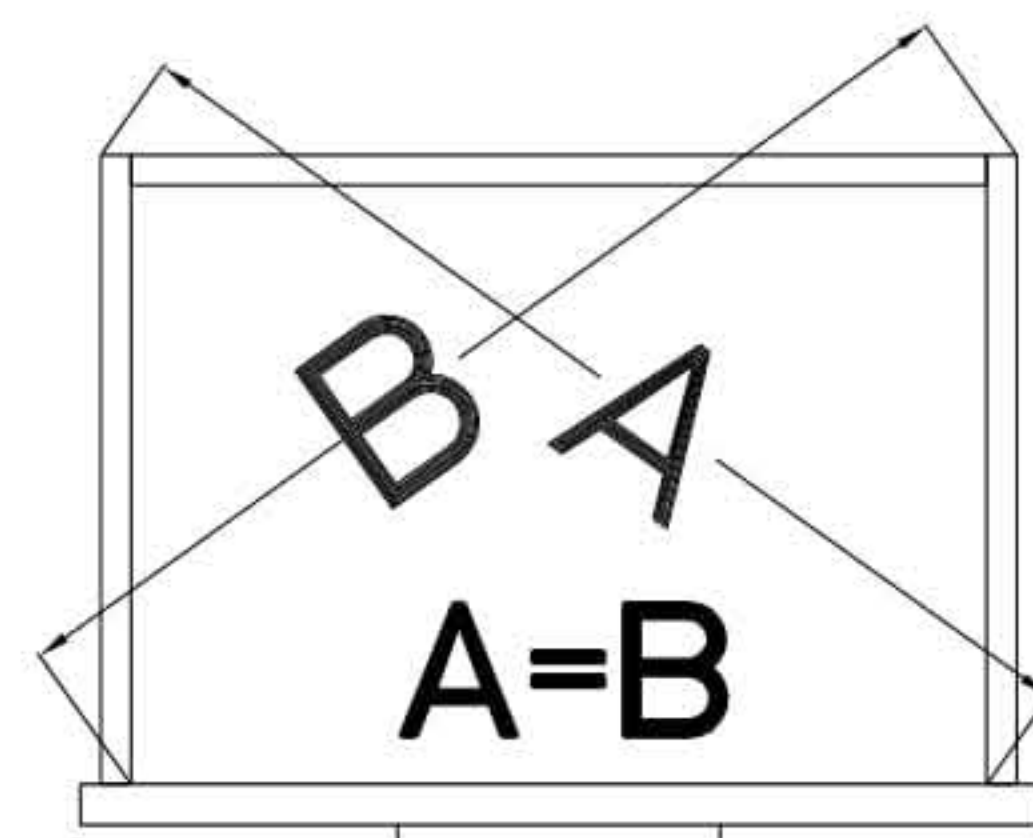
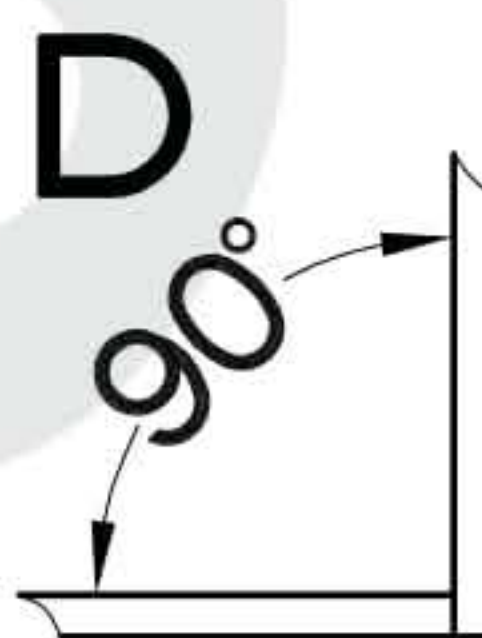
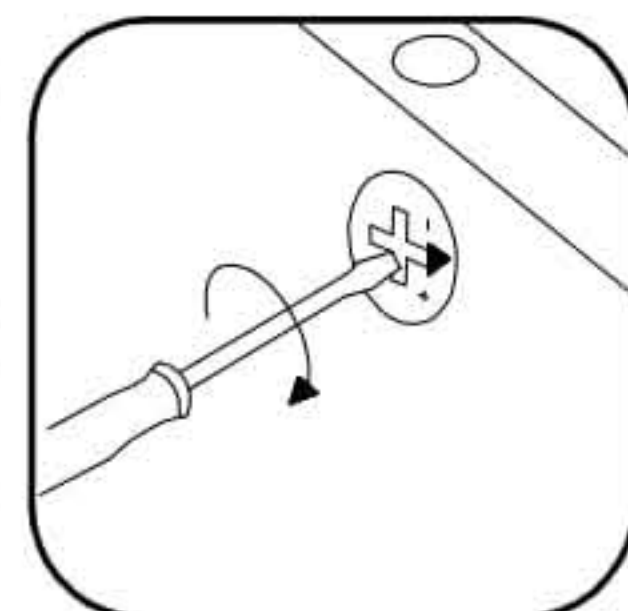
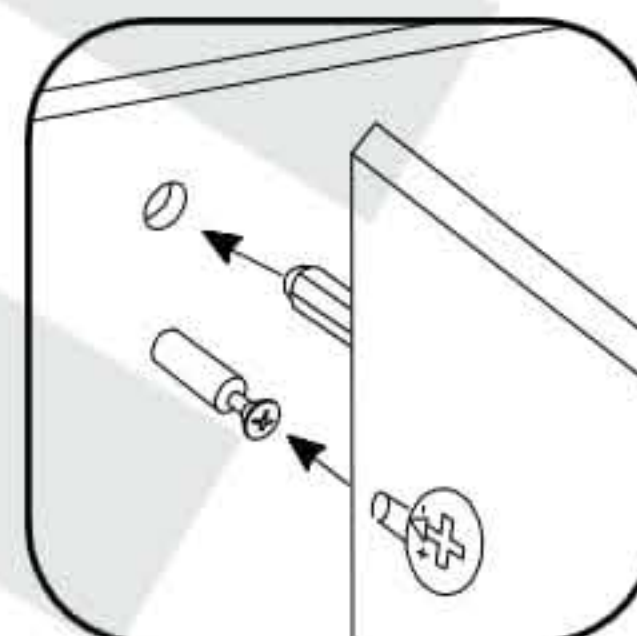
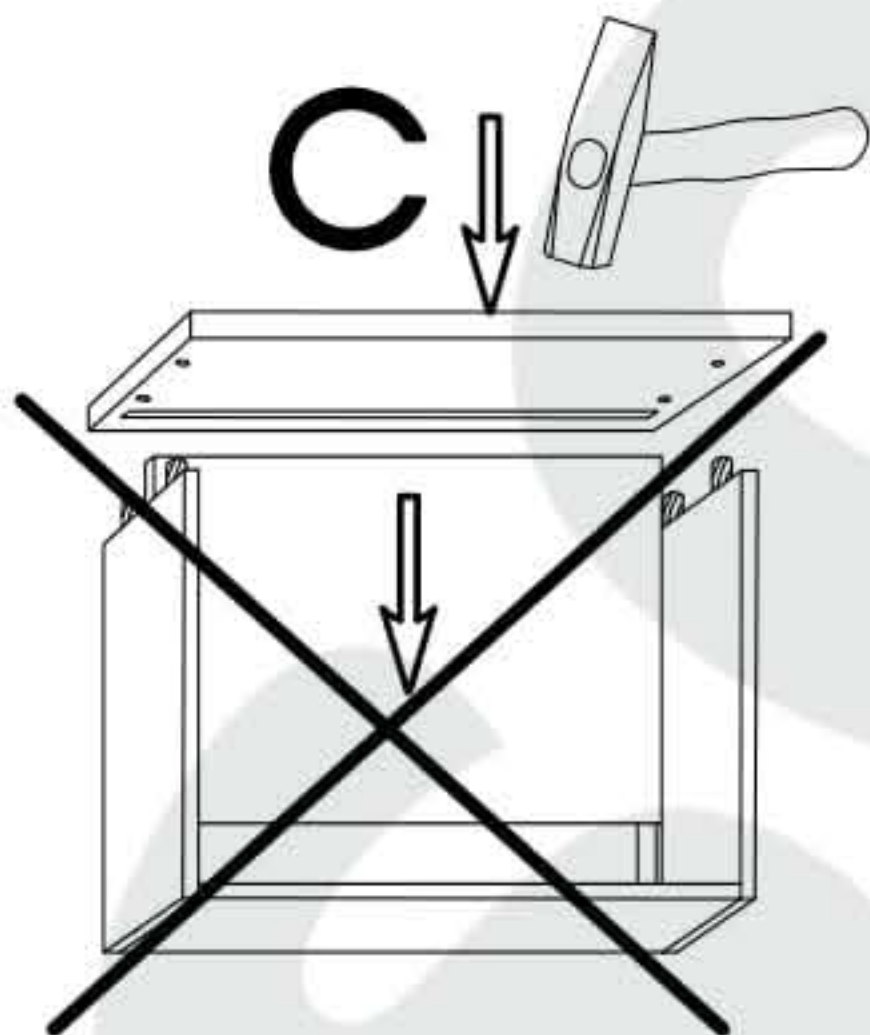
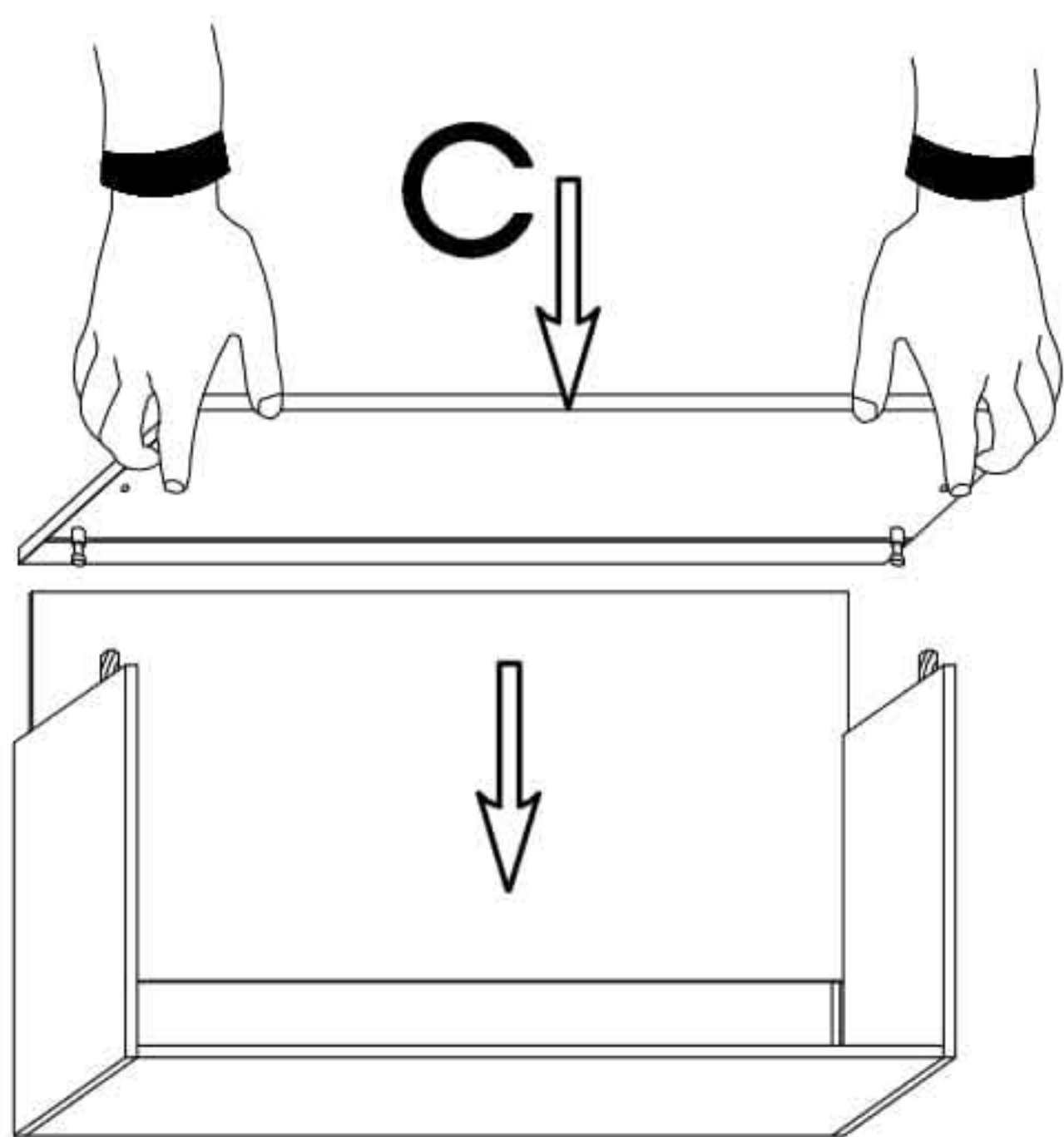
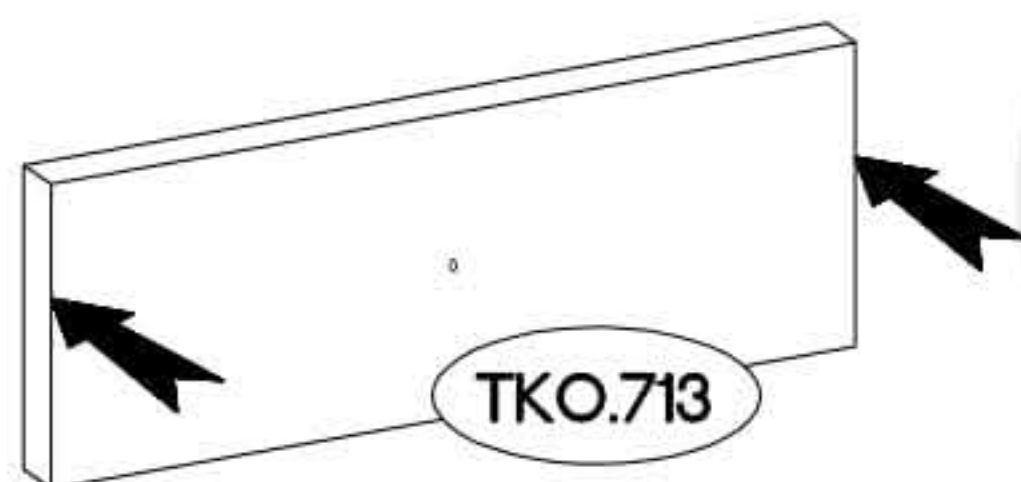
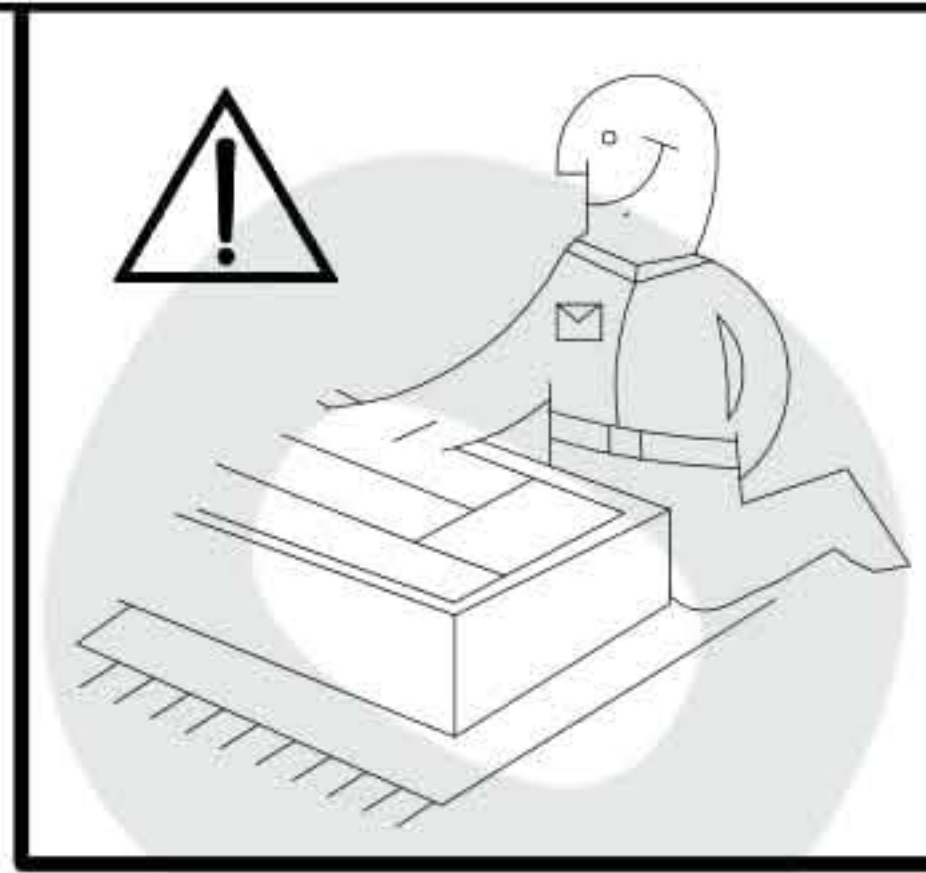
x3



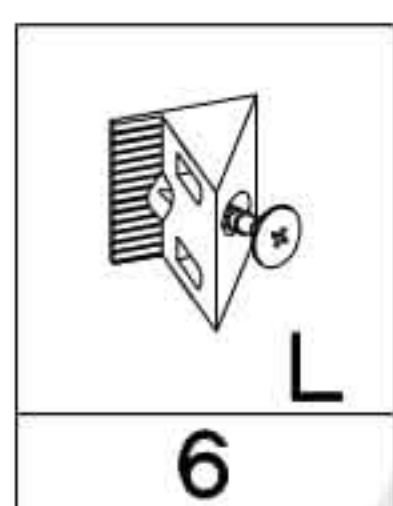
4



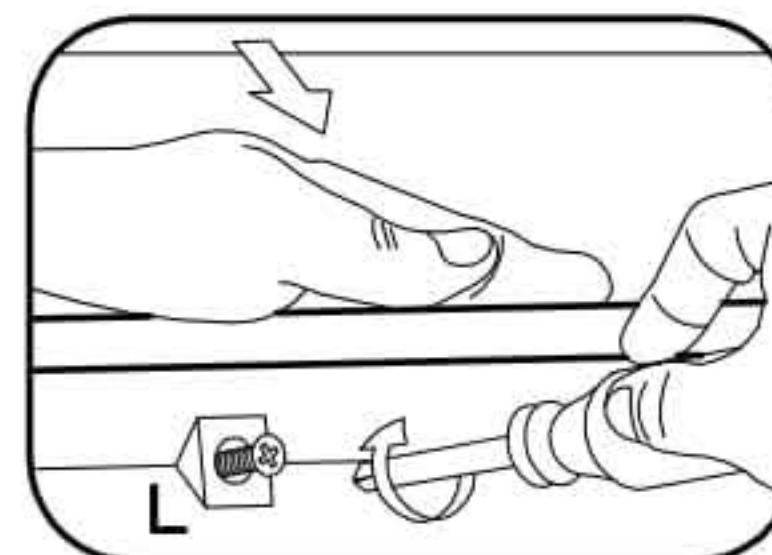
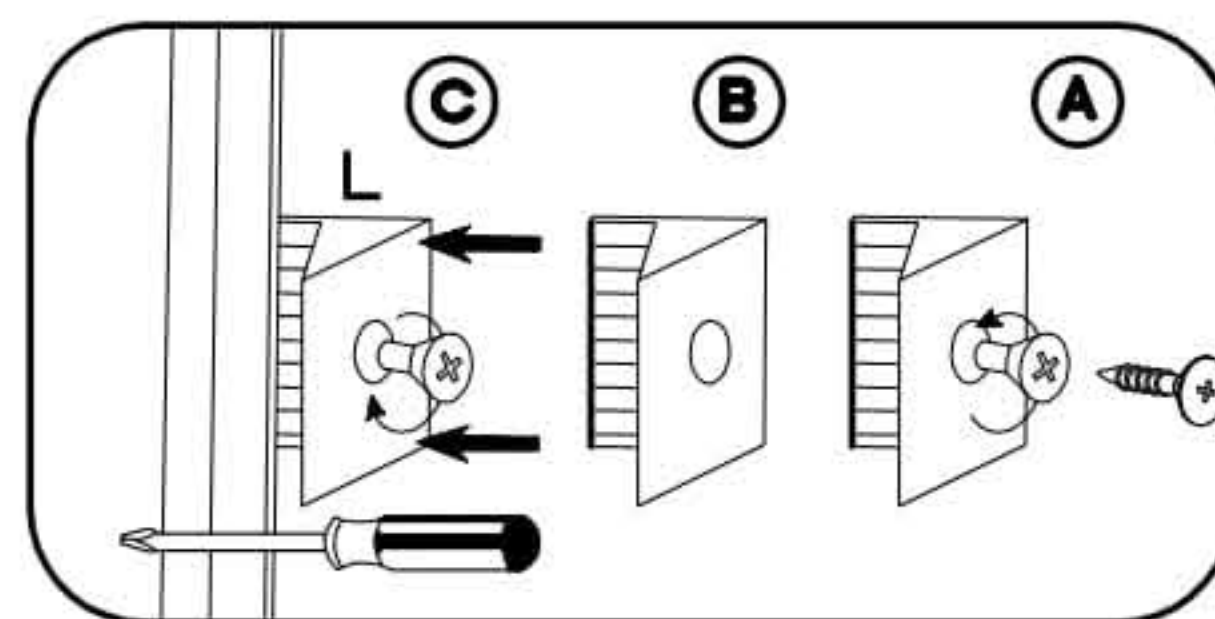
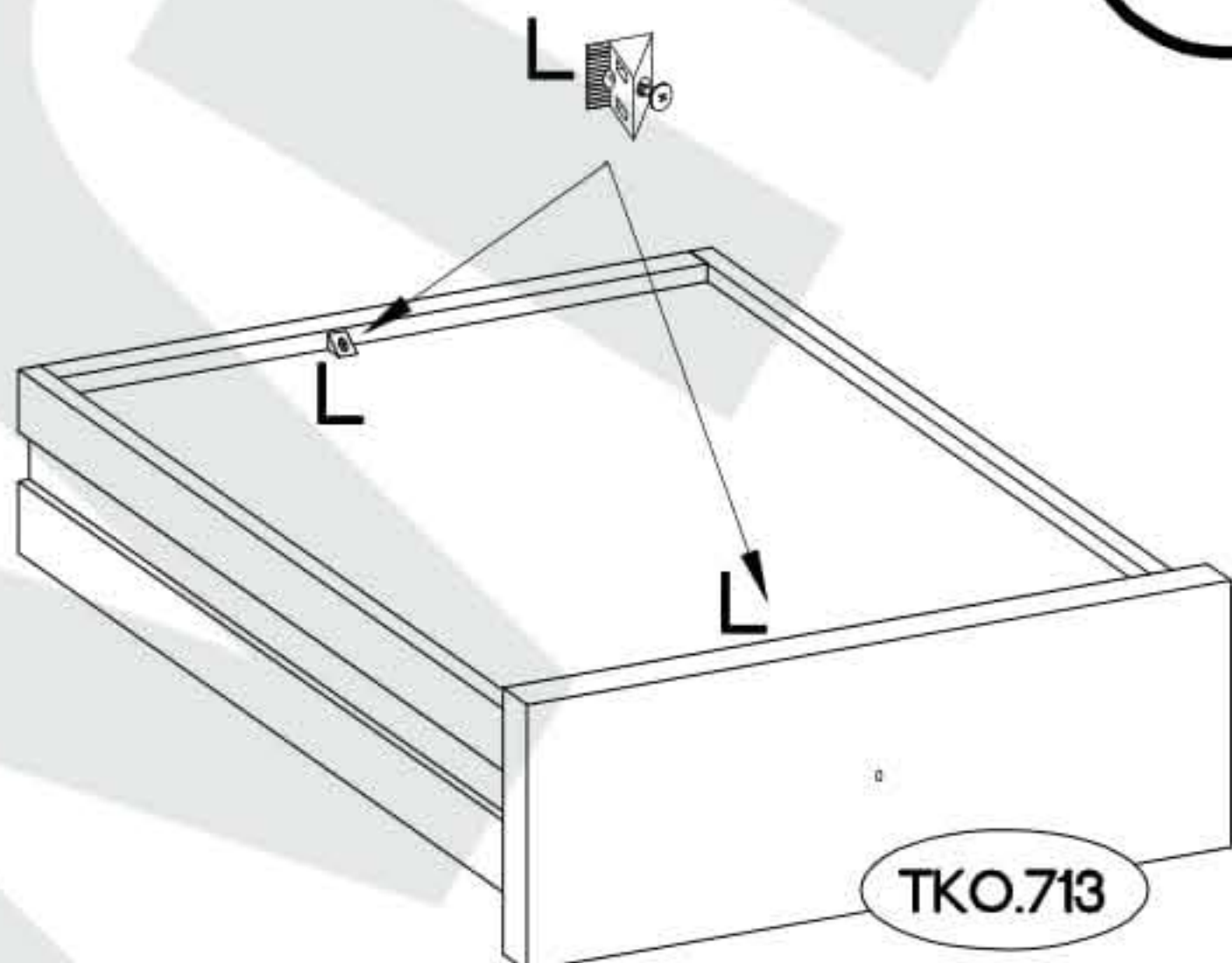
x3




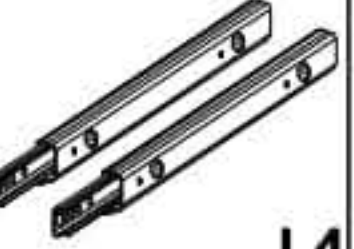



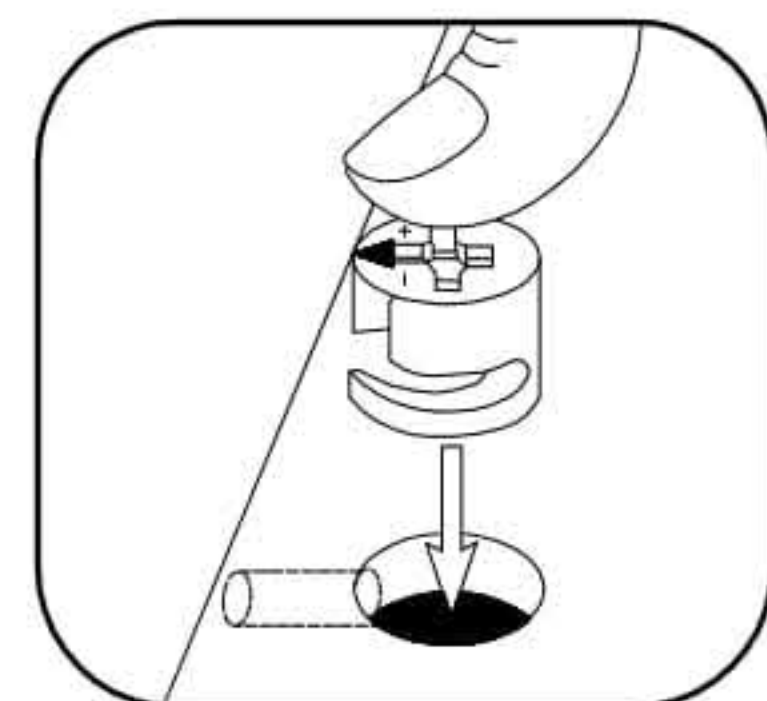
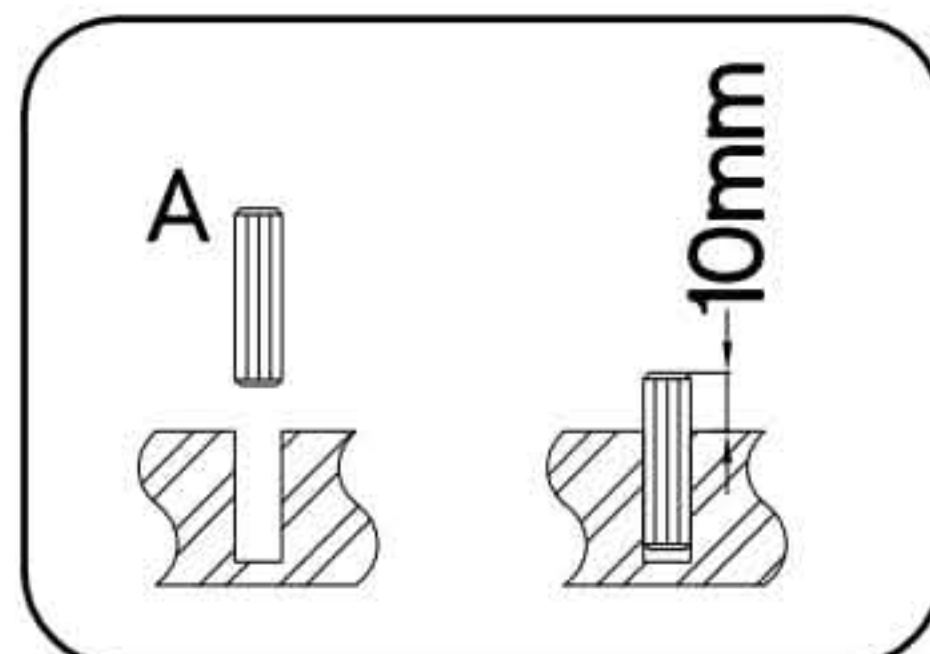
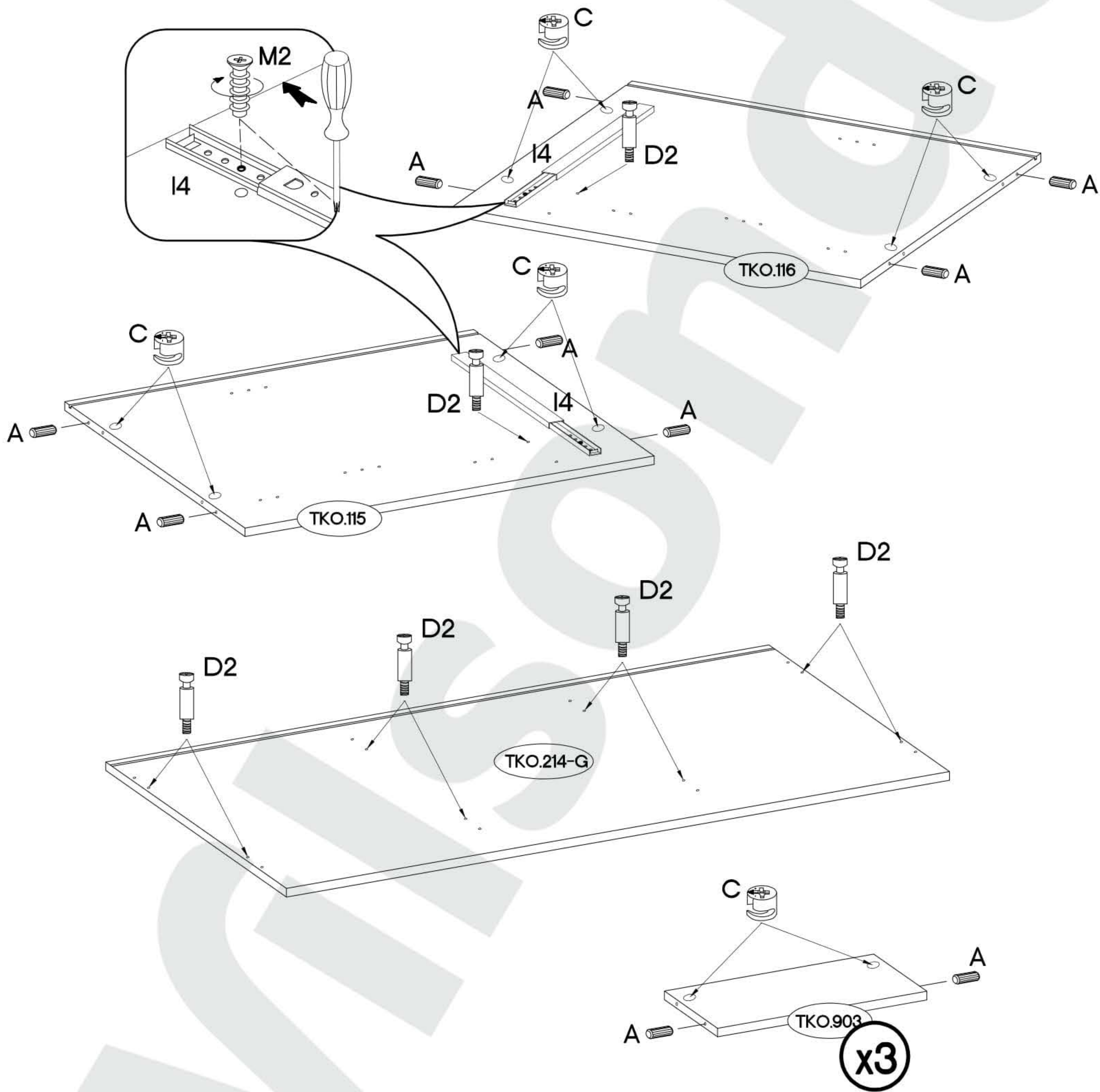
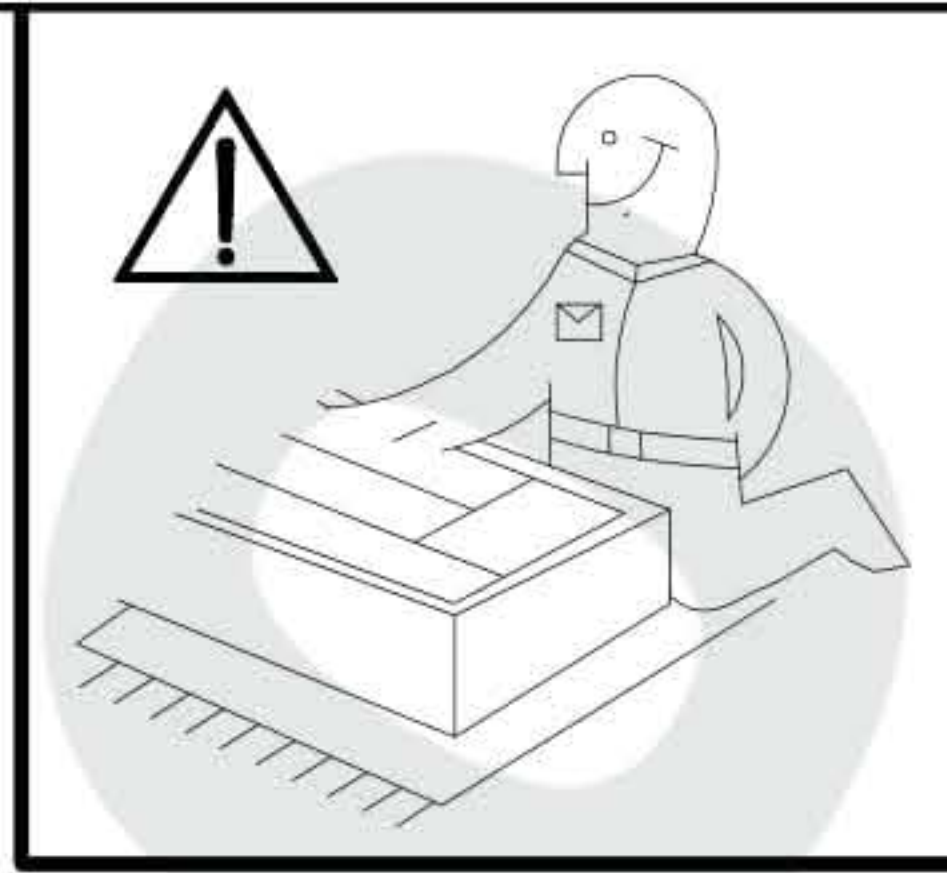
5







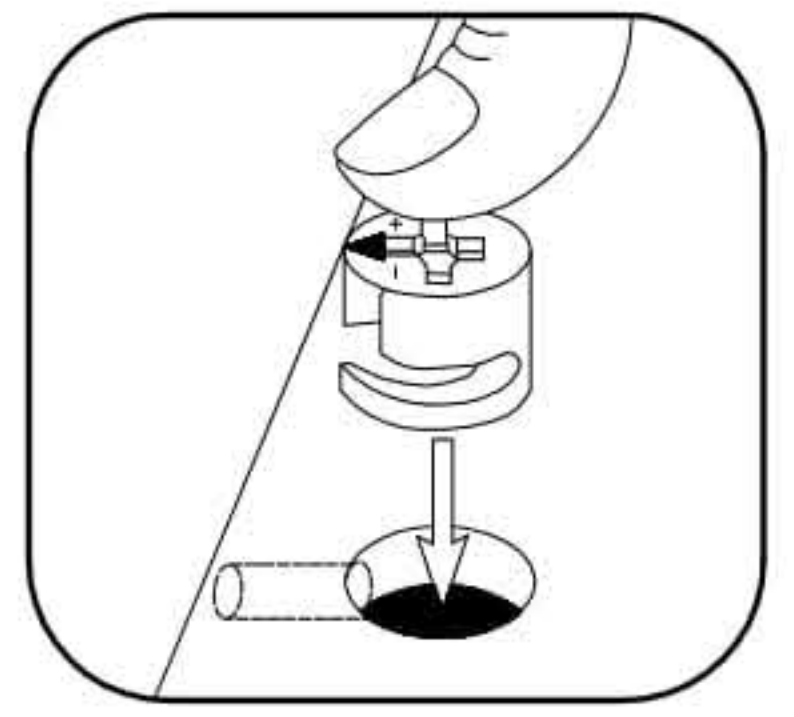
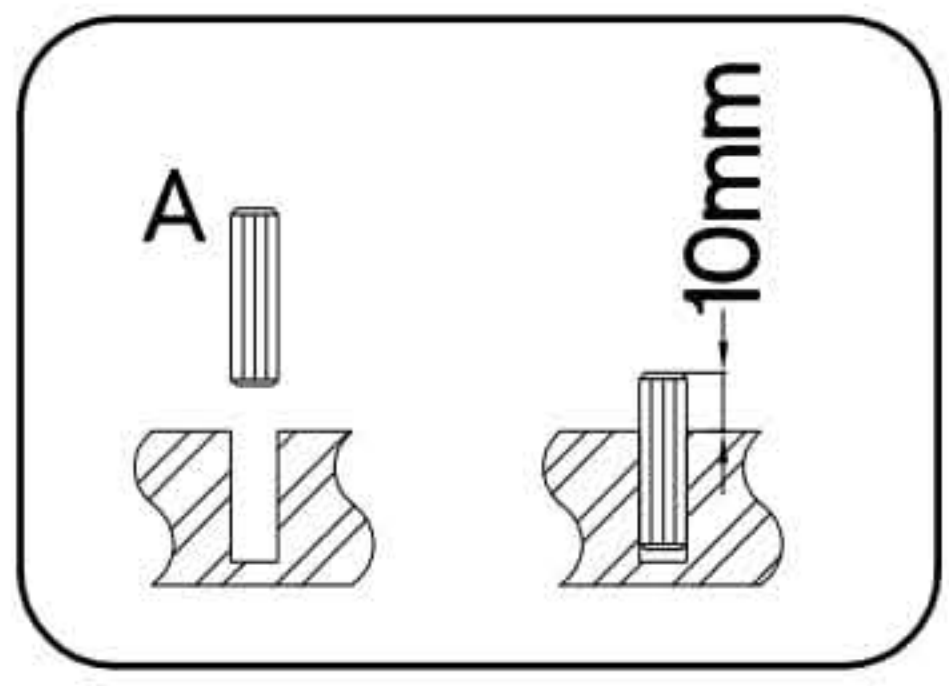
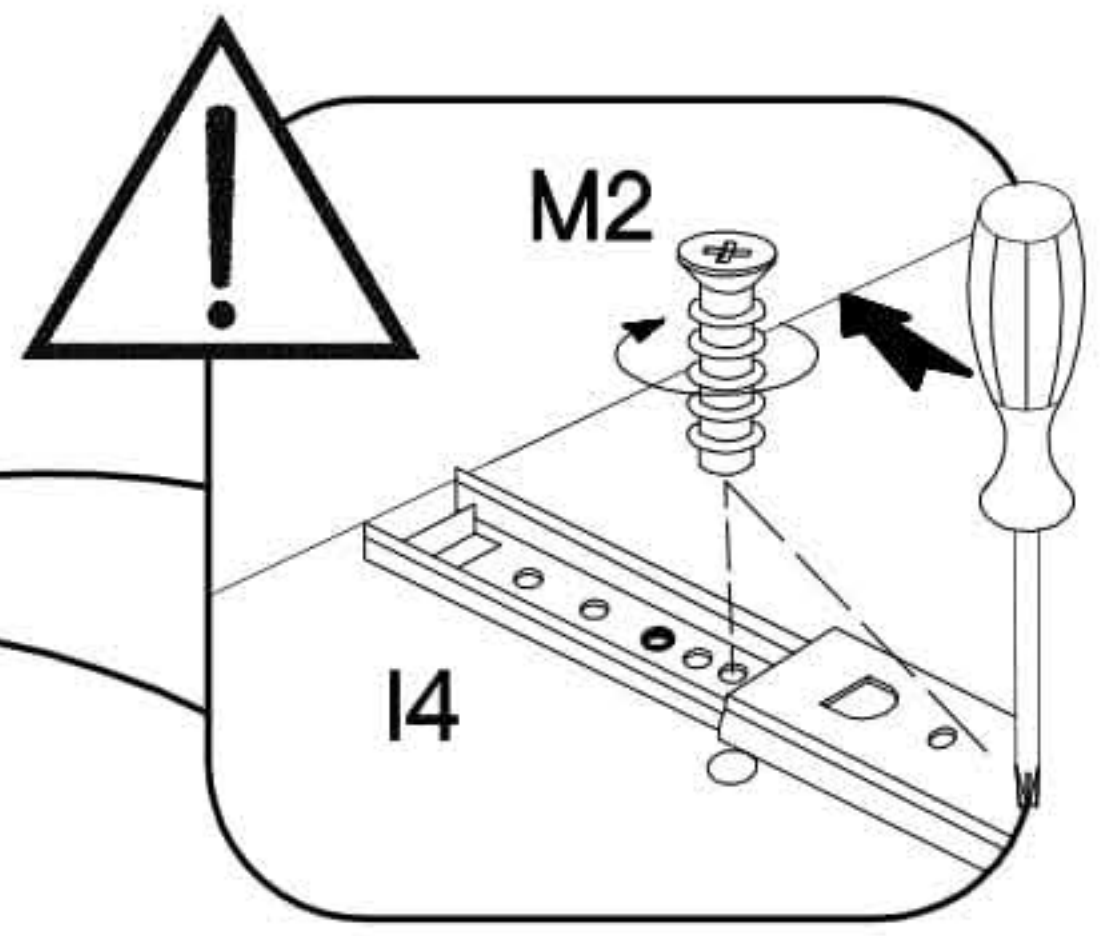
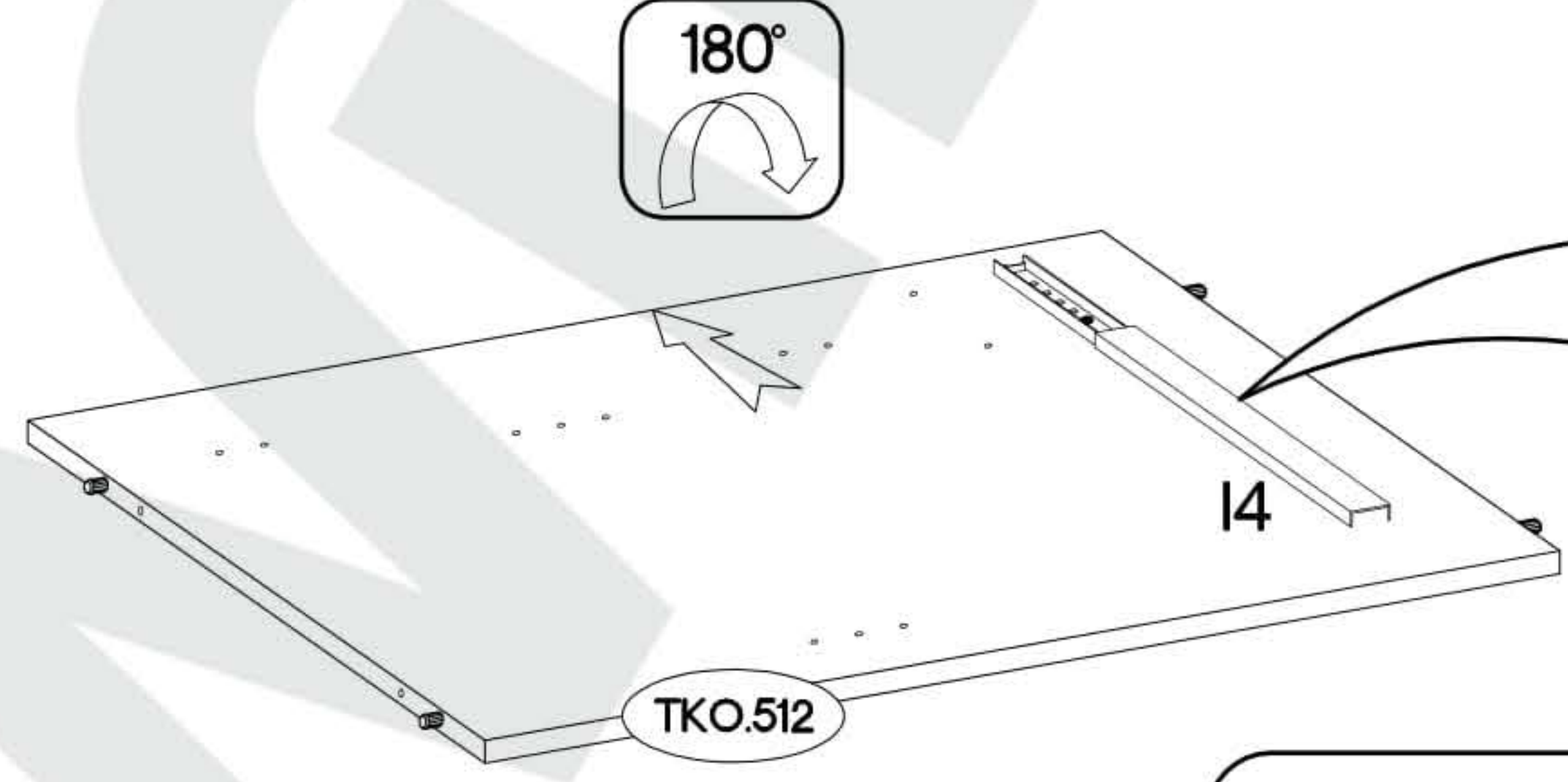
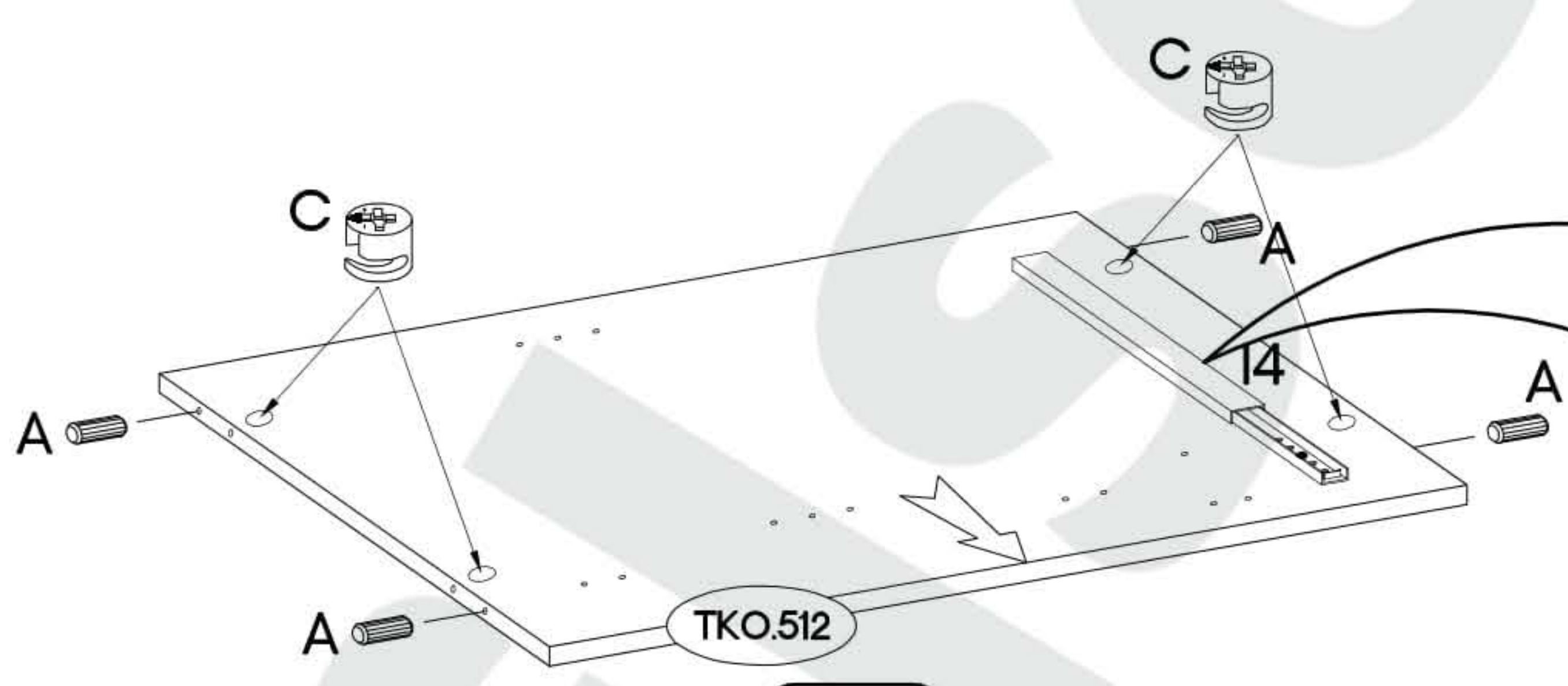
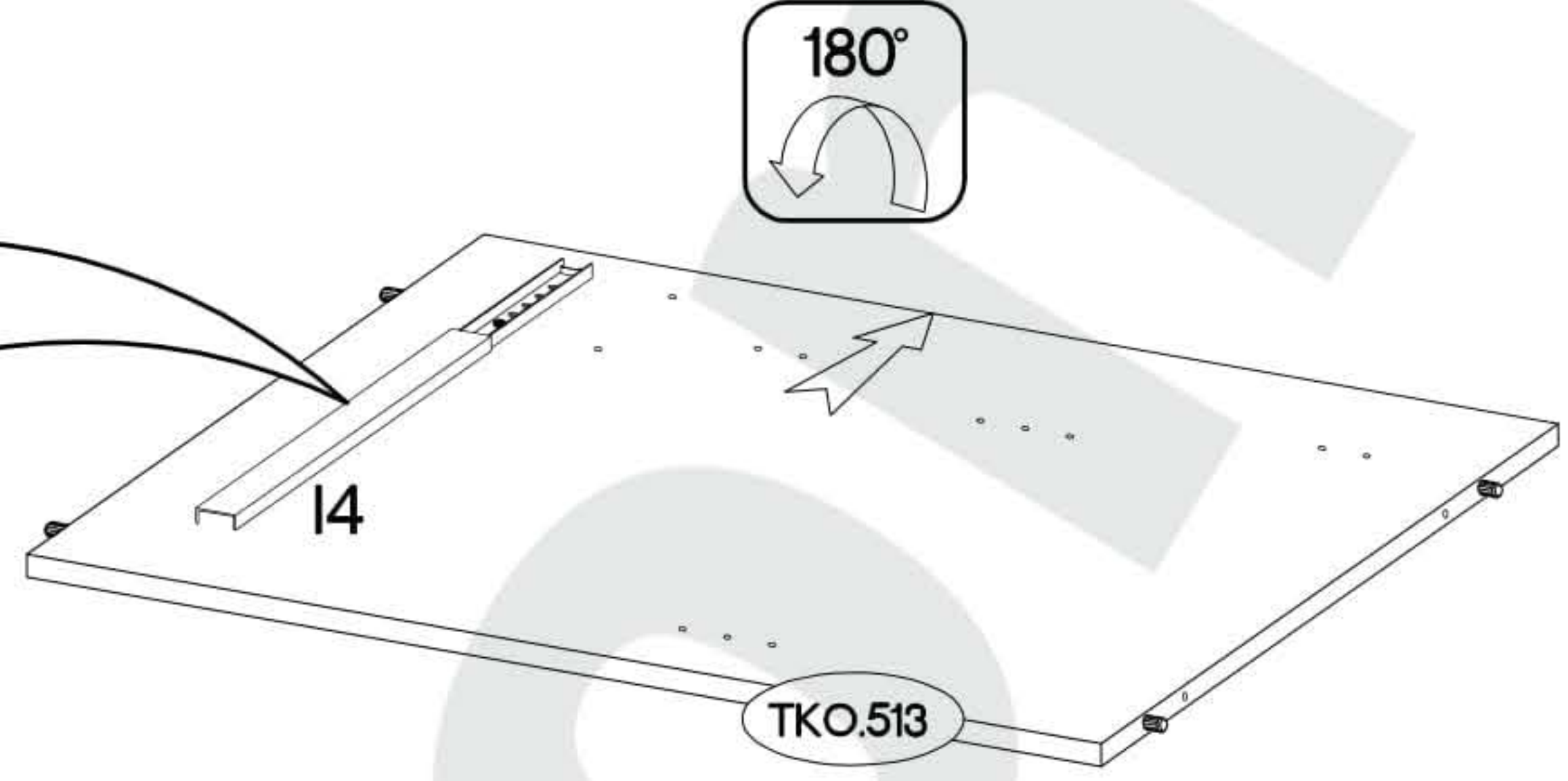
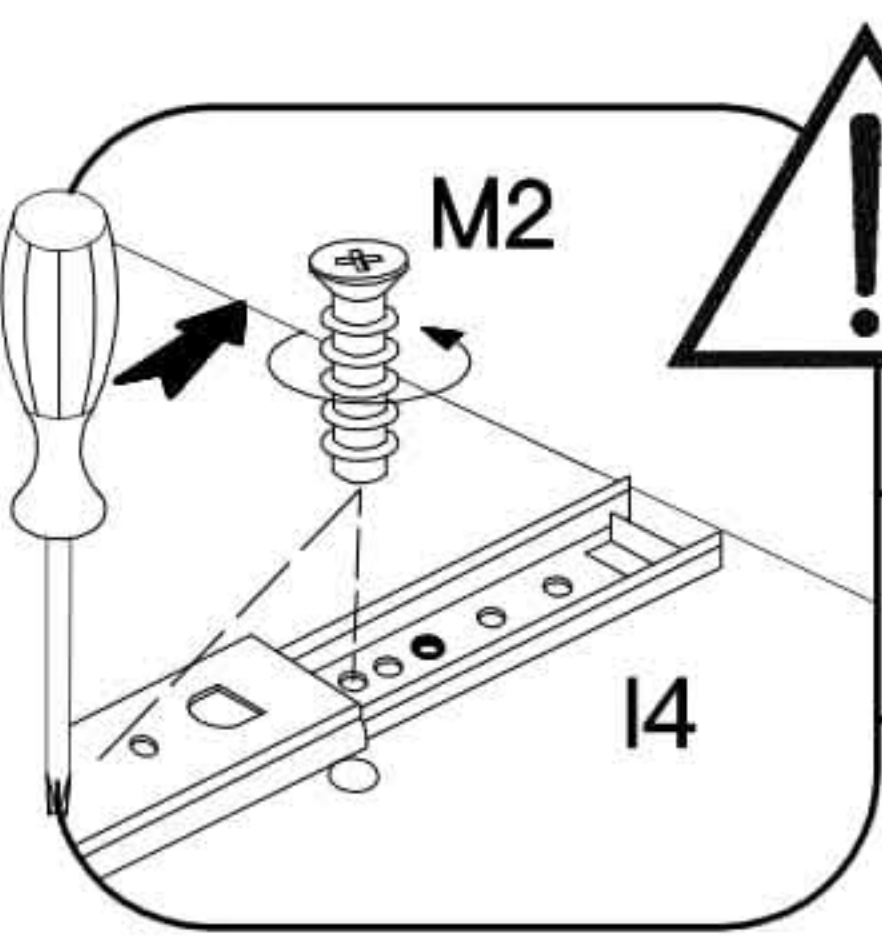
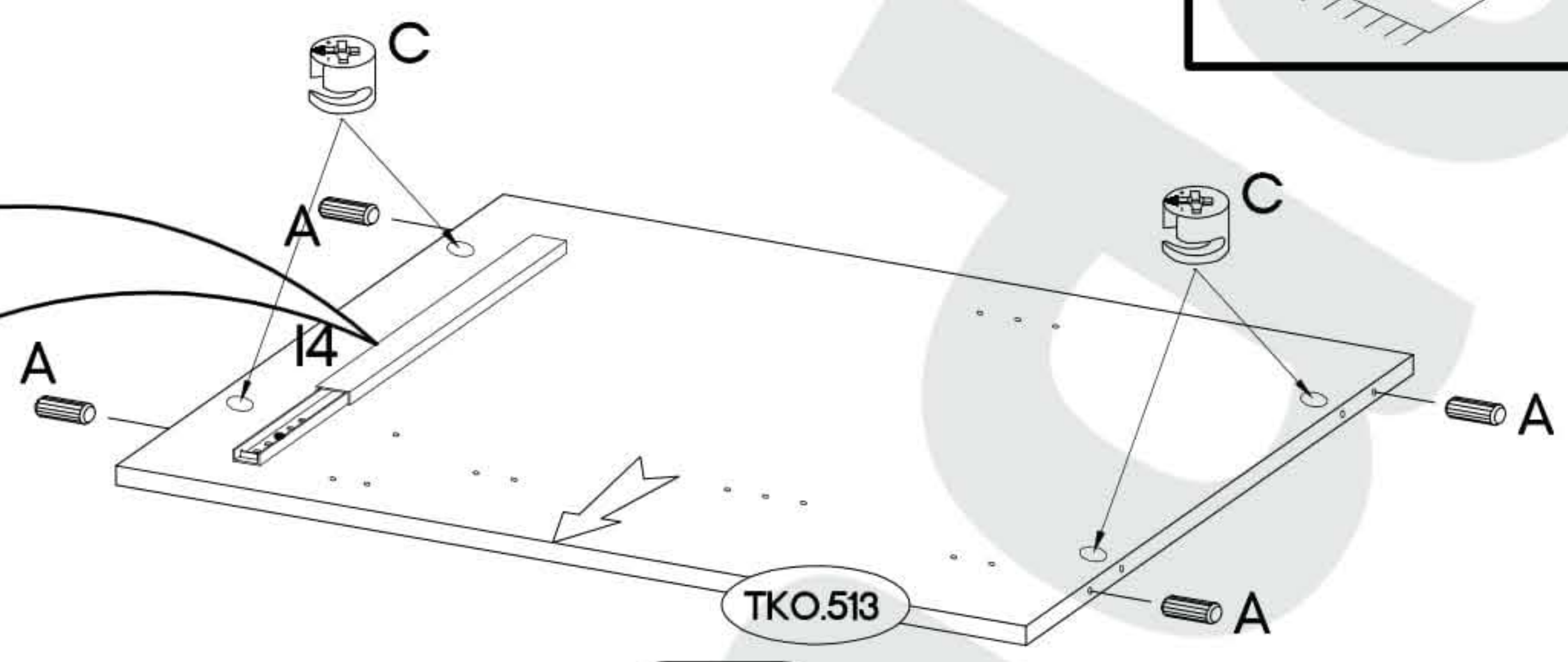
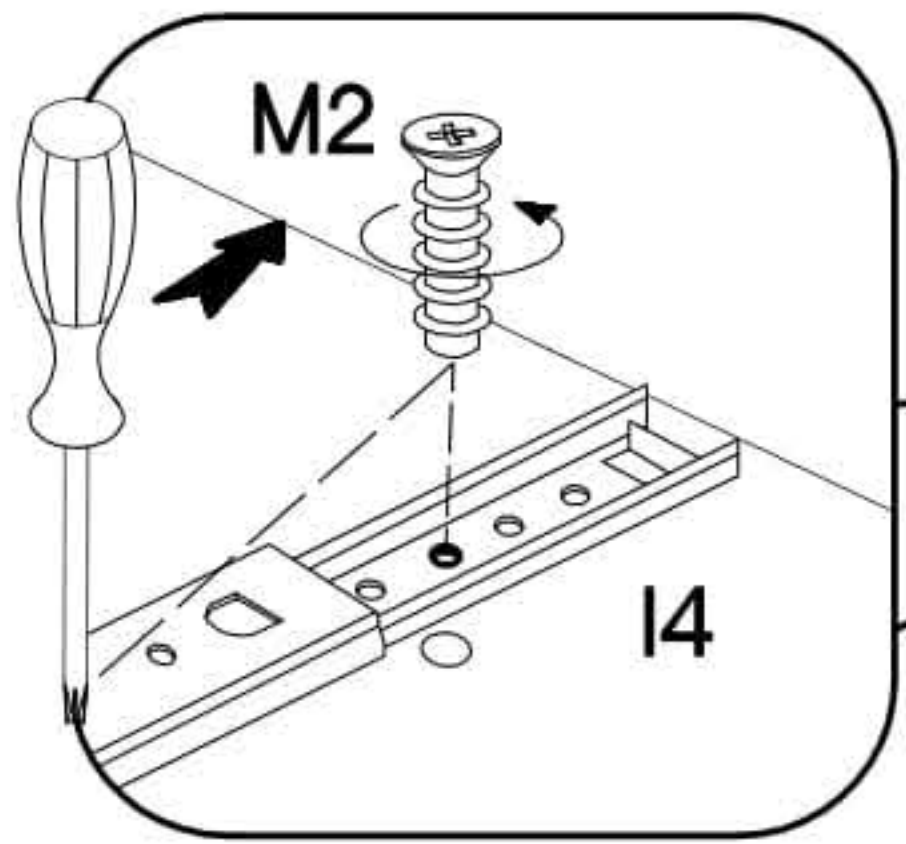
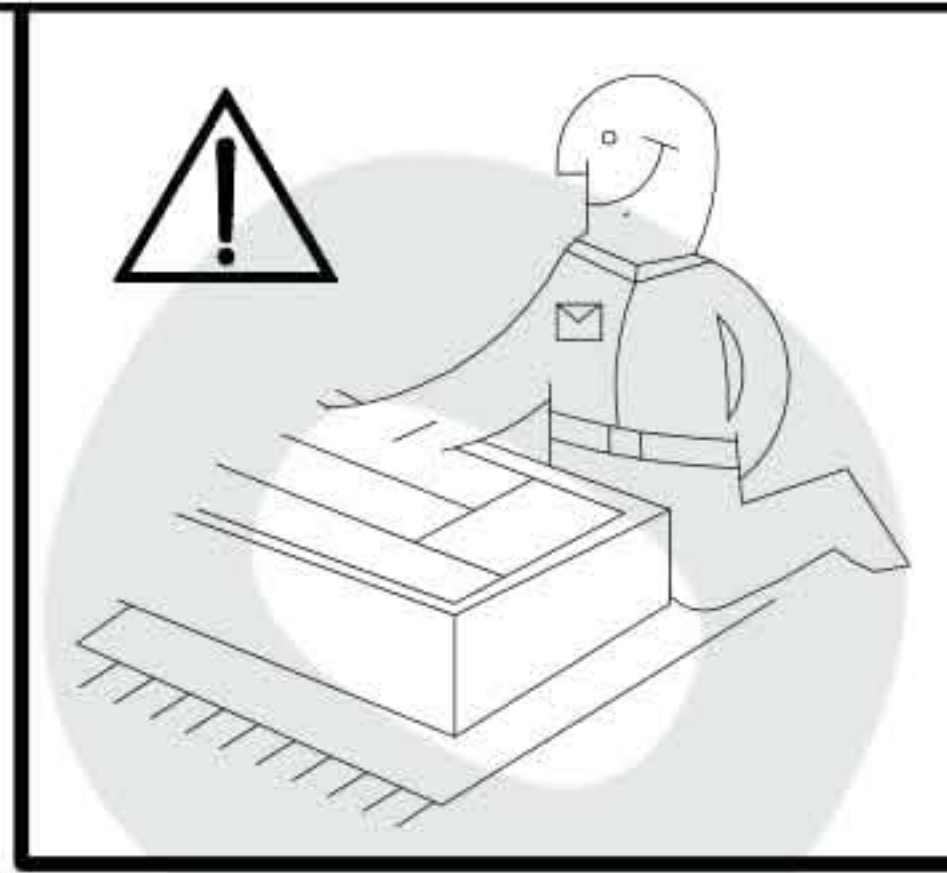
x3



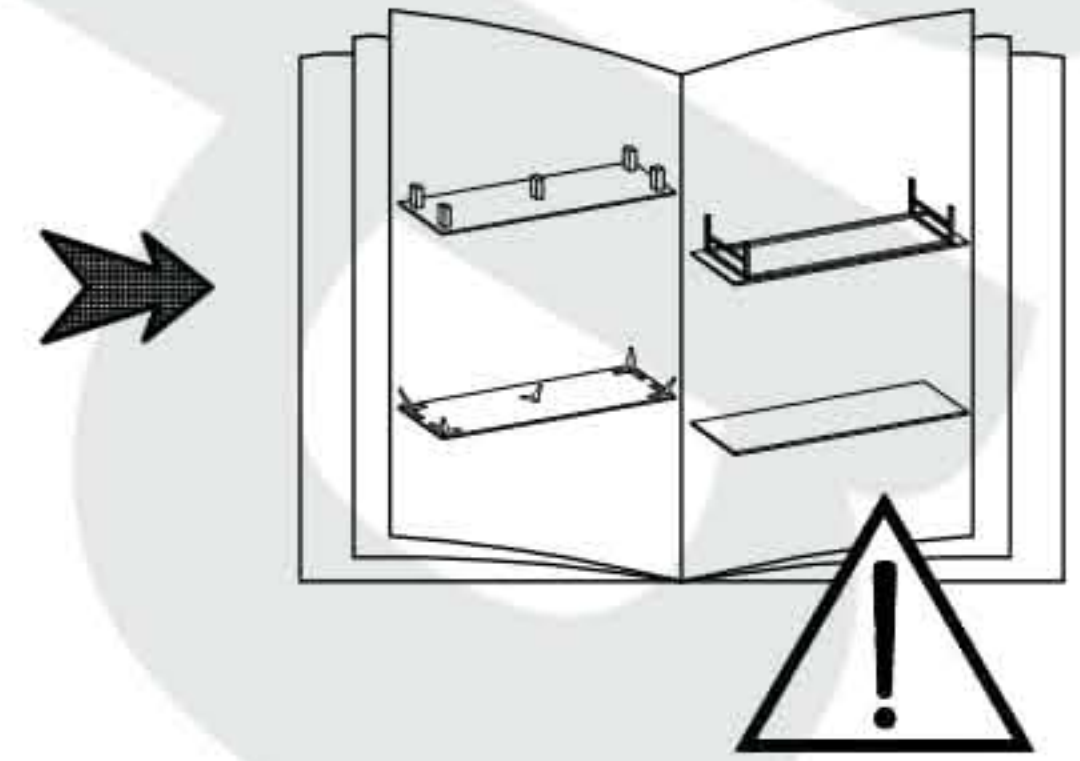
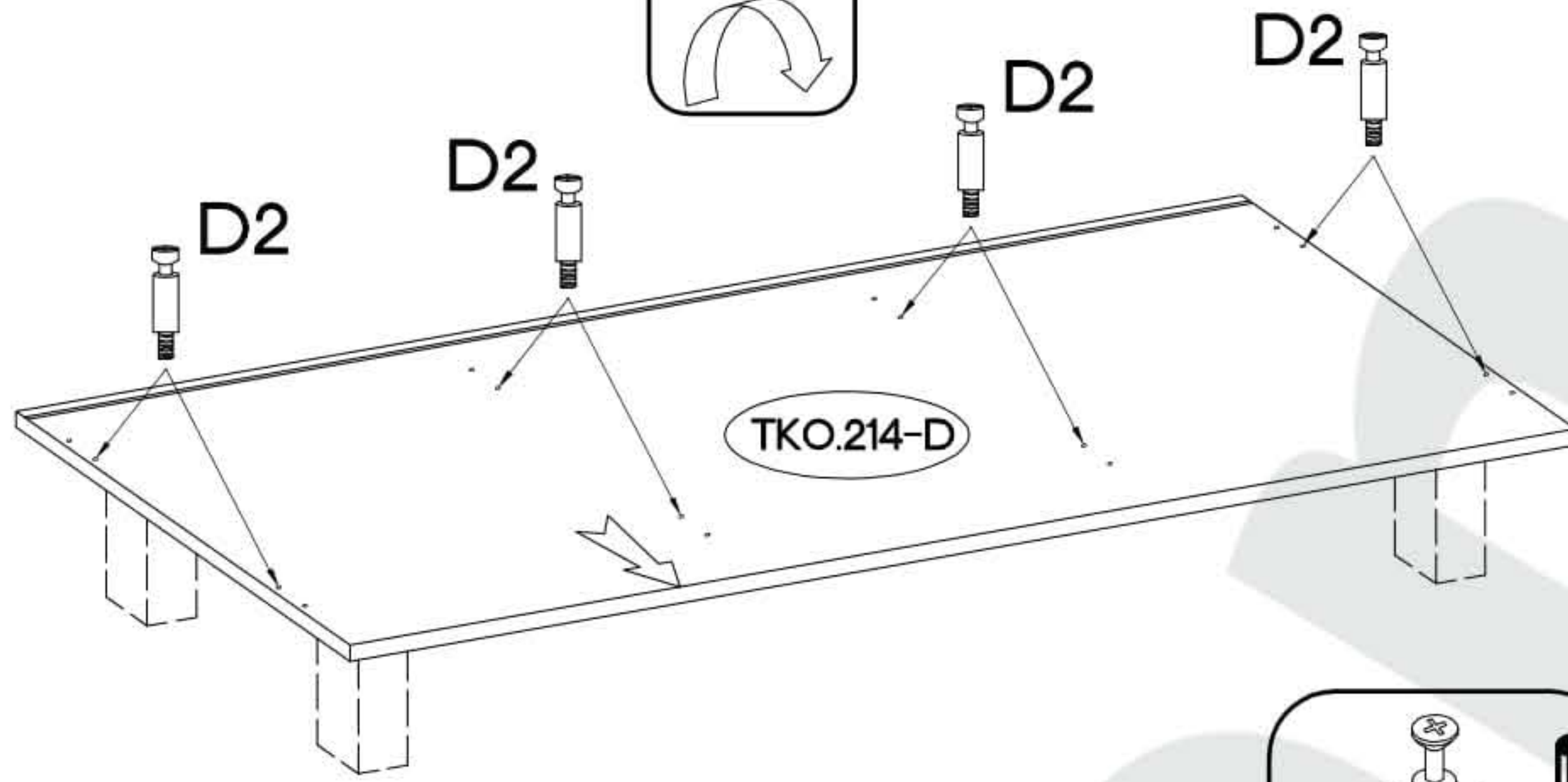
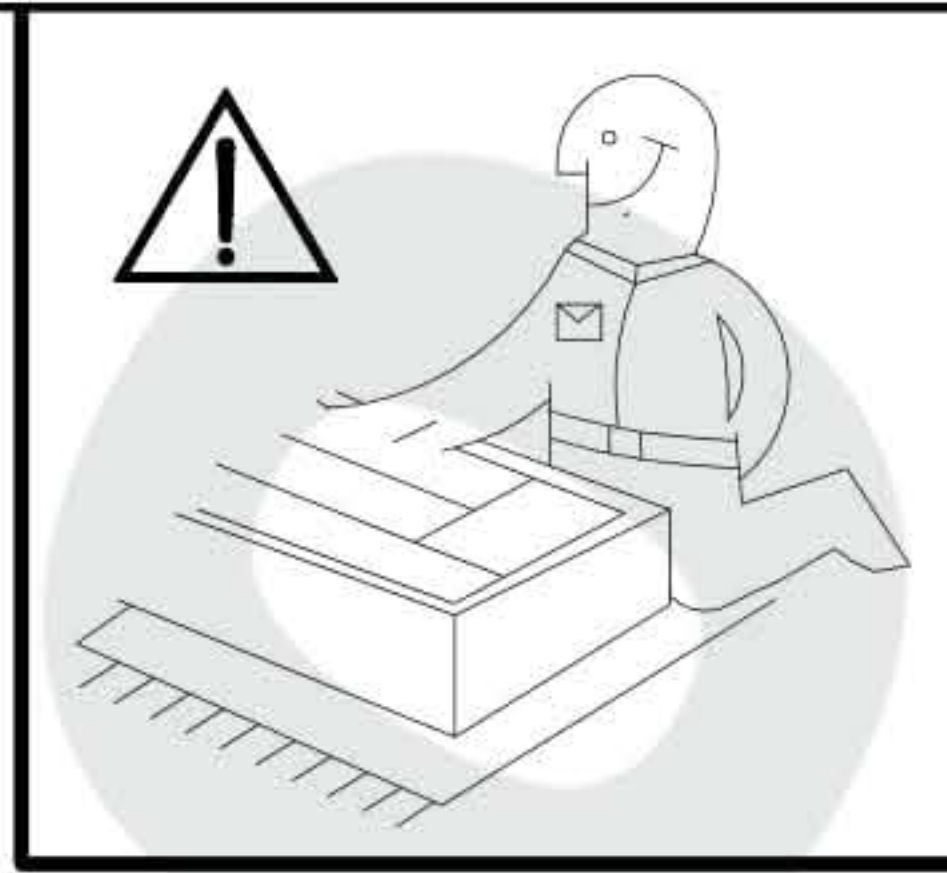
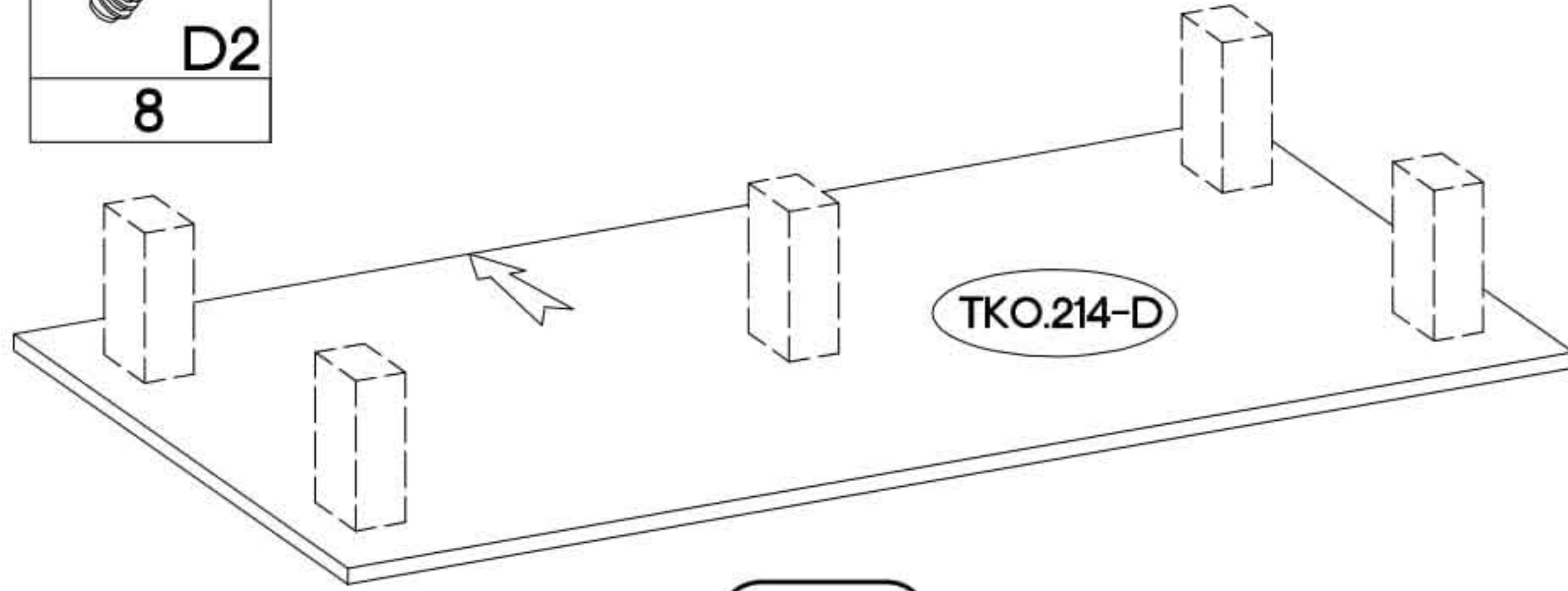
†8x30mm 	†15/12mm 	L=20mm 	27/310mm 	†6,3x13mm 
A	C	D2	I4	M2
14	14	10	1	4



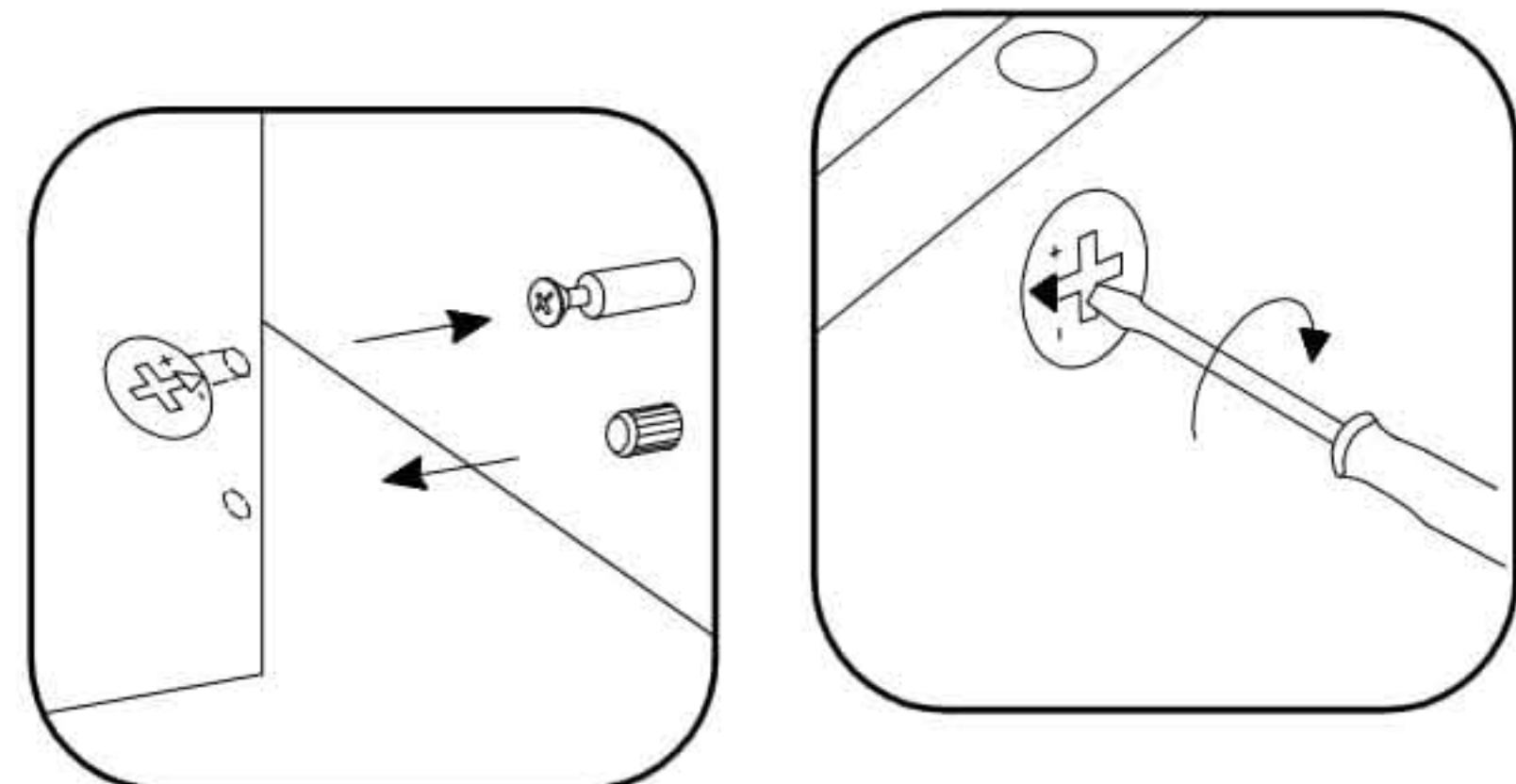
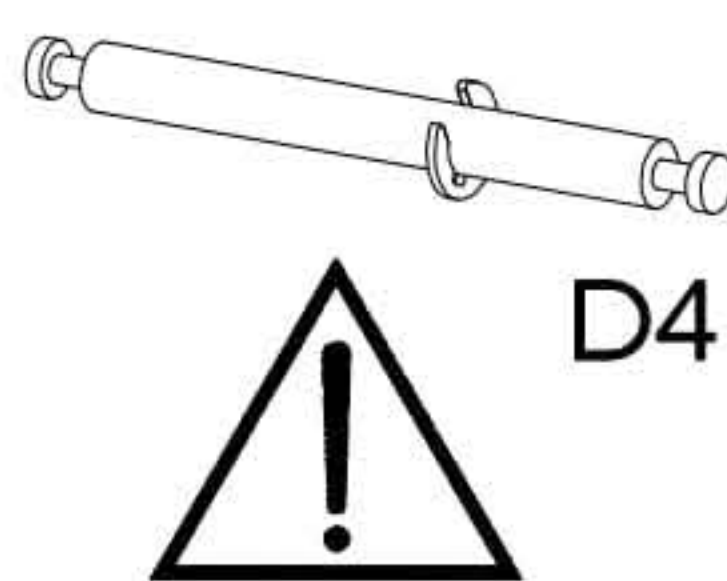
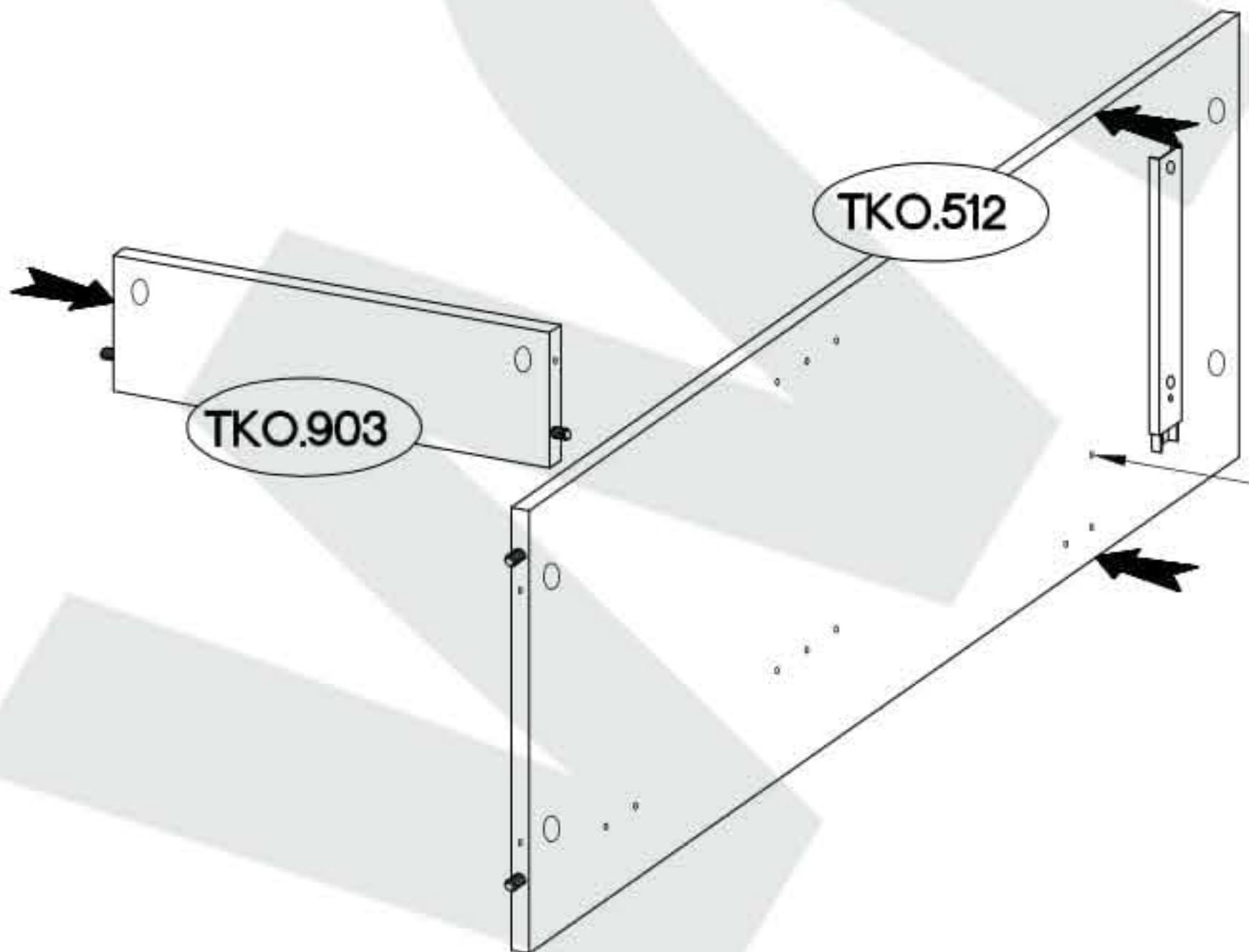
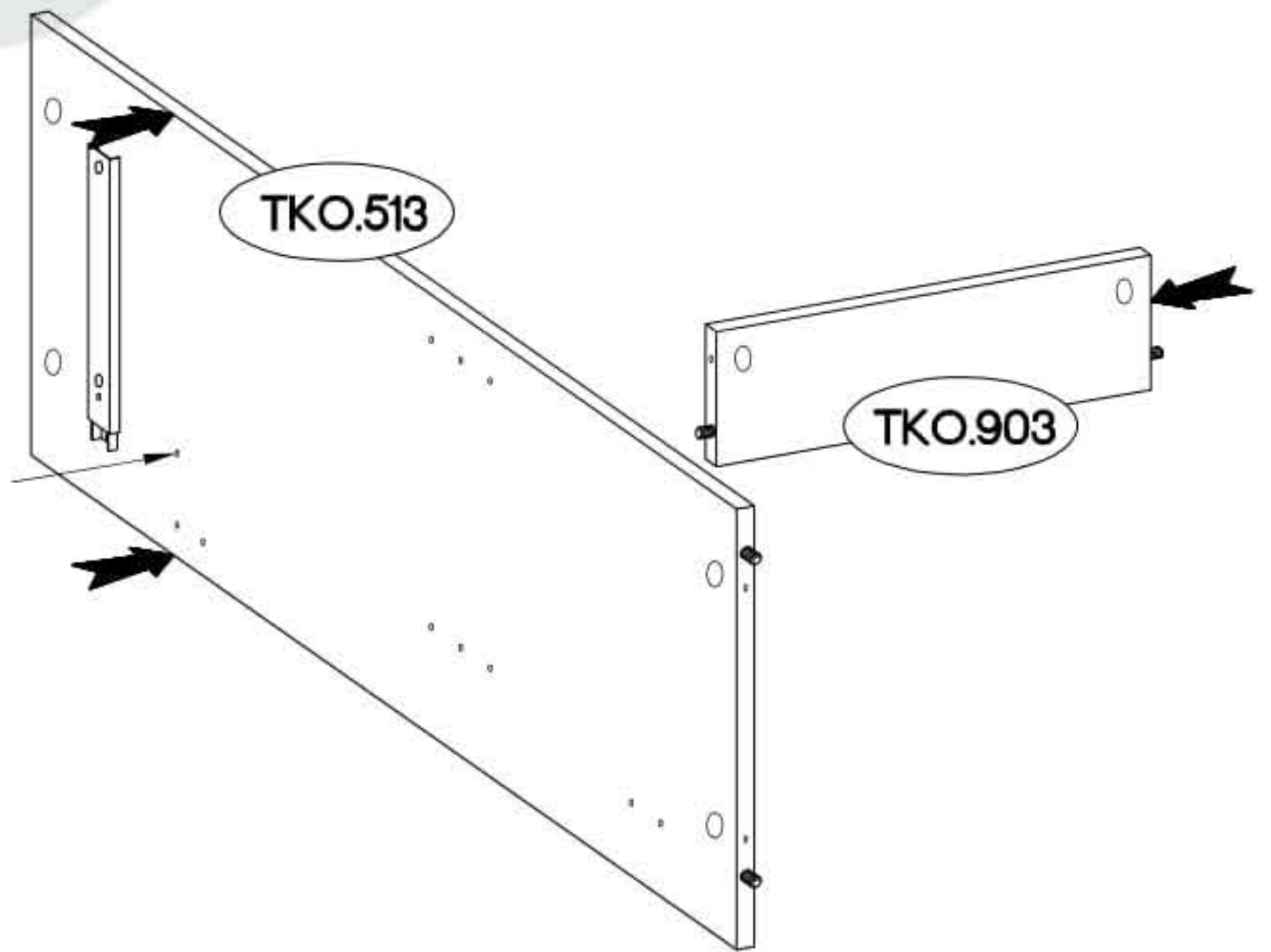
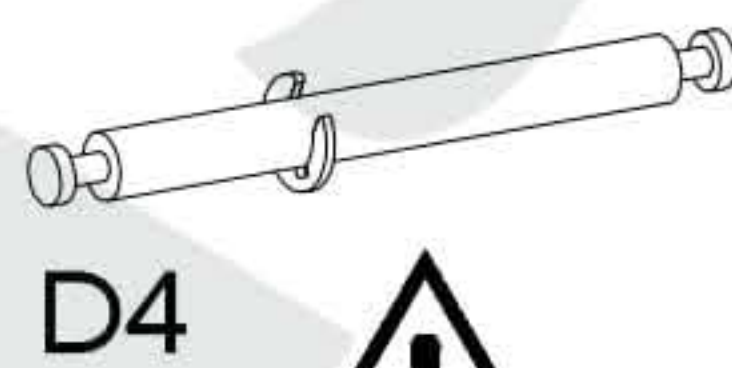
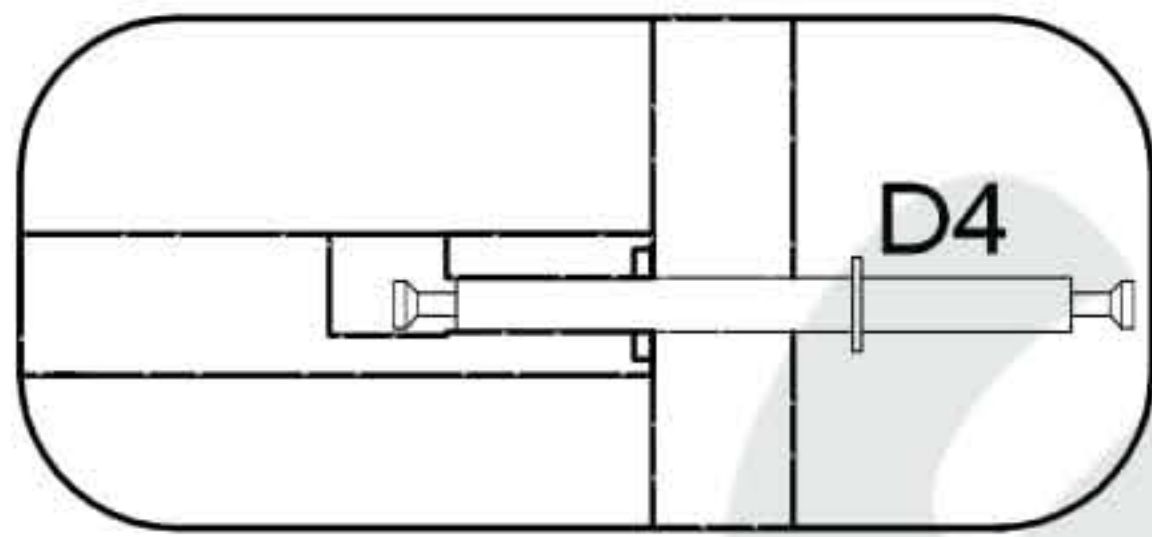
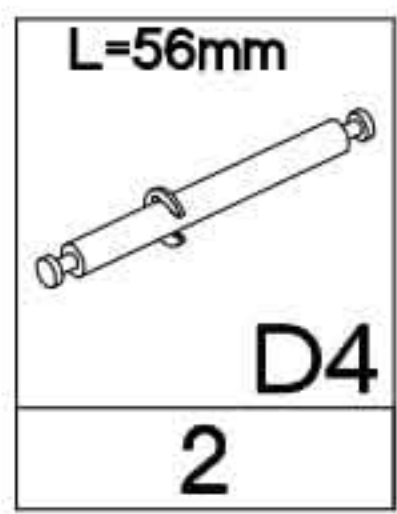
†8x30mm  A 8	†15/12mm  C 8	27/310mm  I4 2	†6,3x13mm  M2 8
---	--	---	--



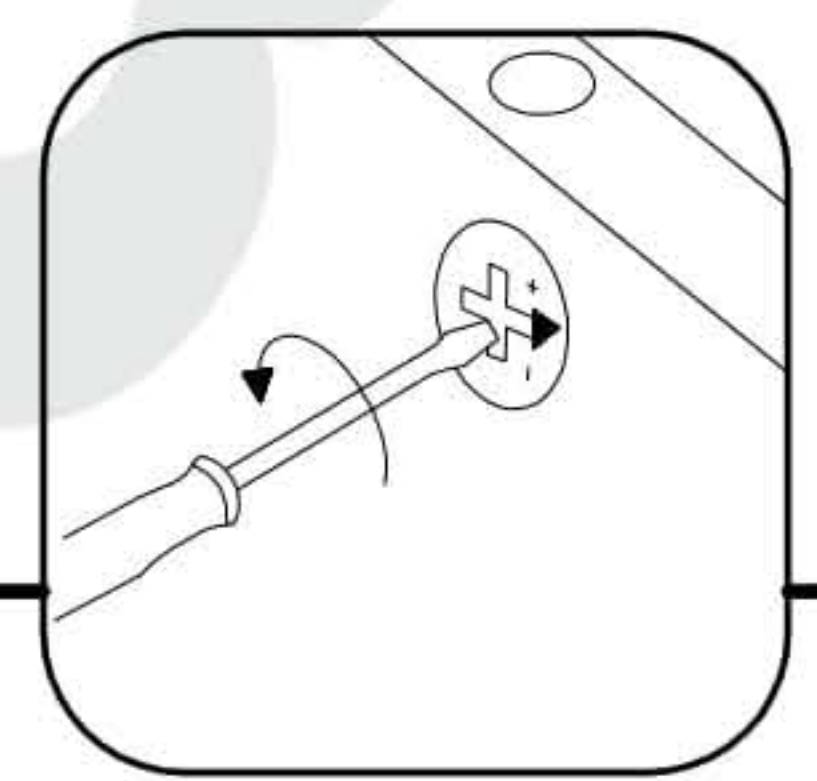
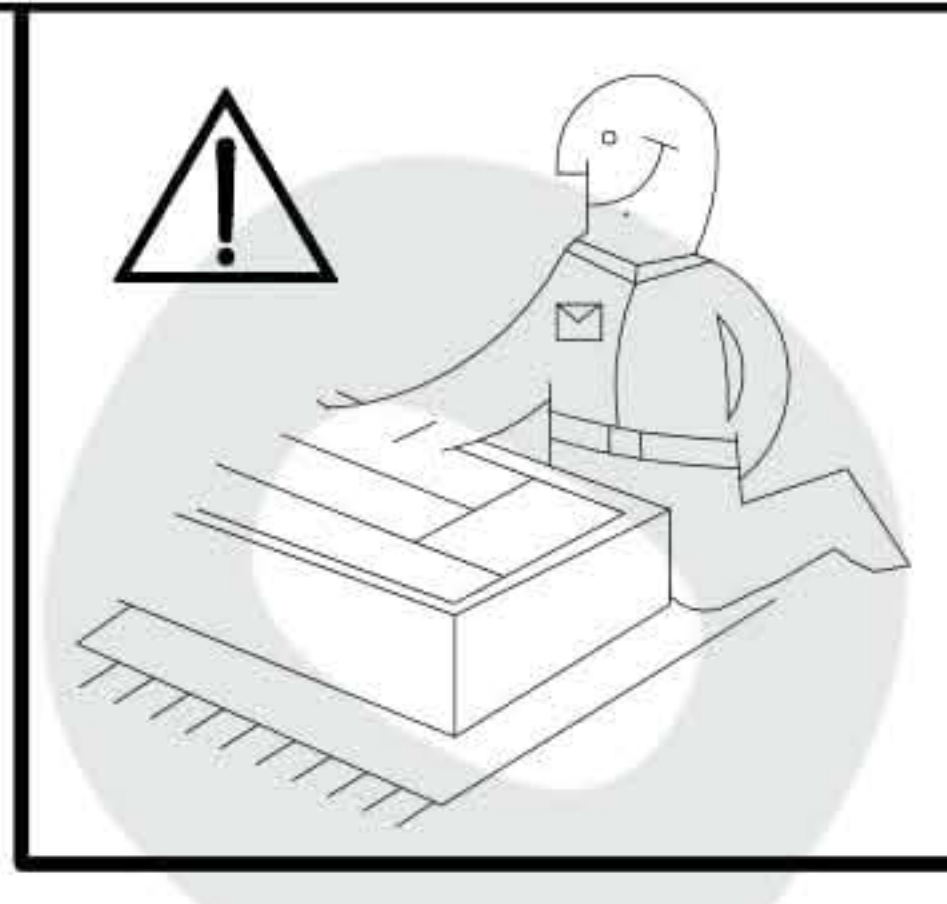
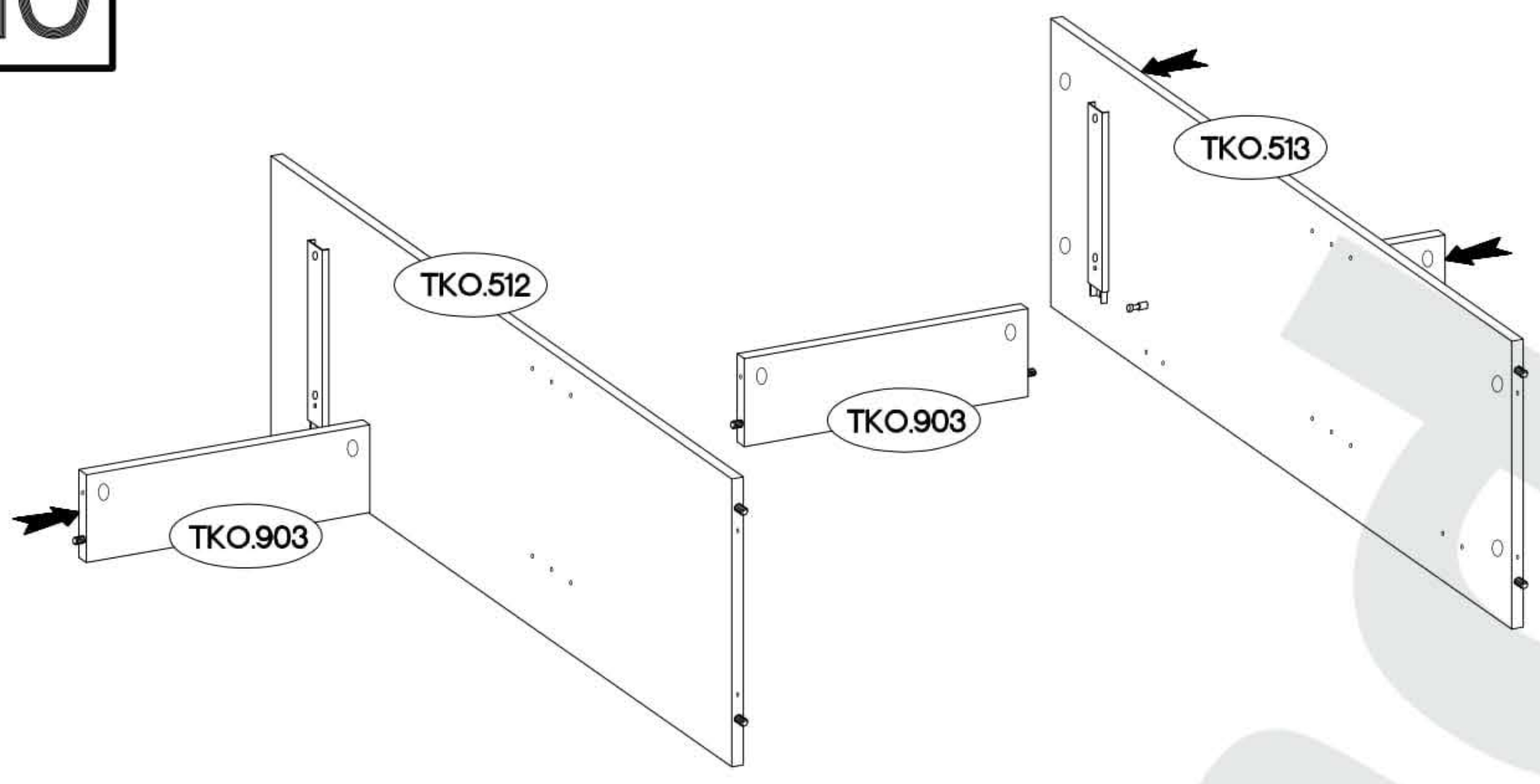
8



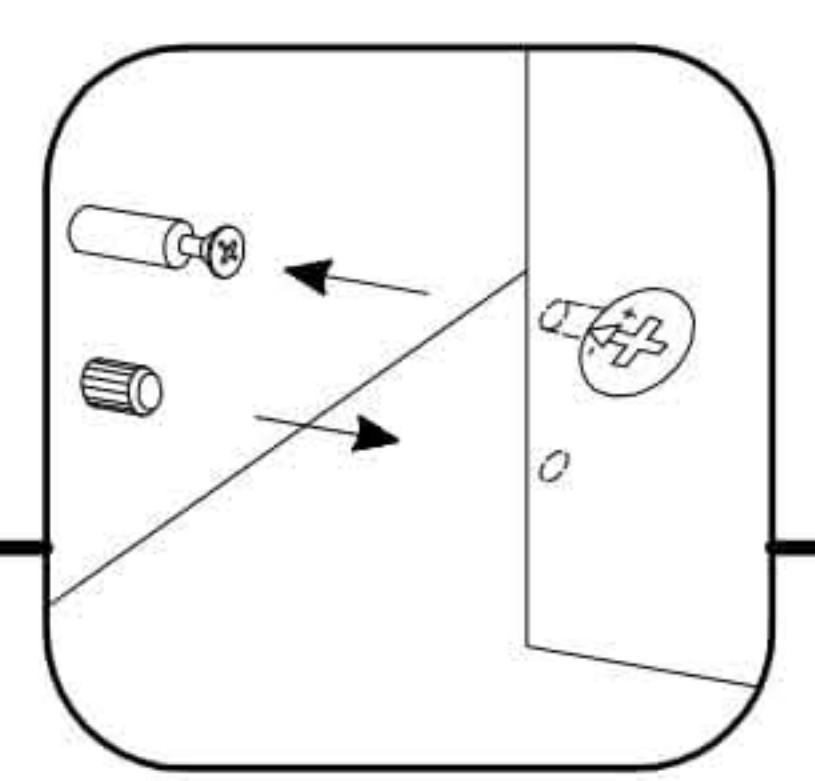
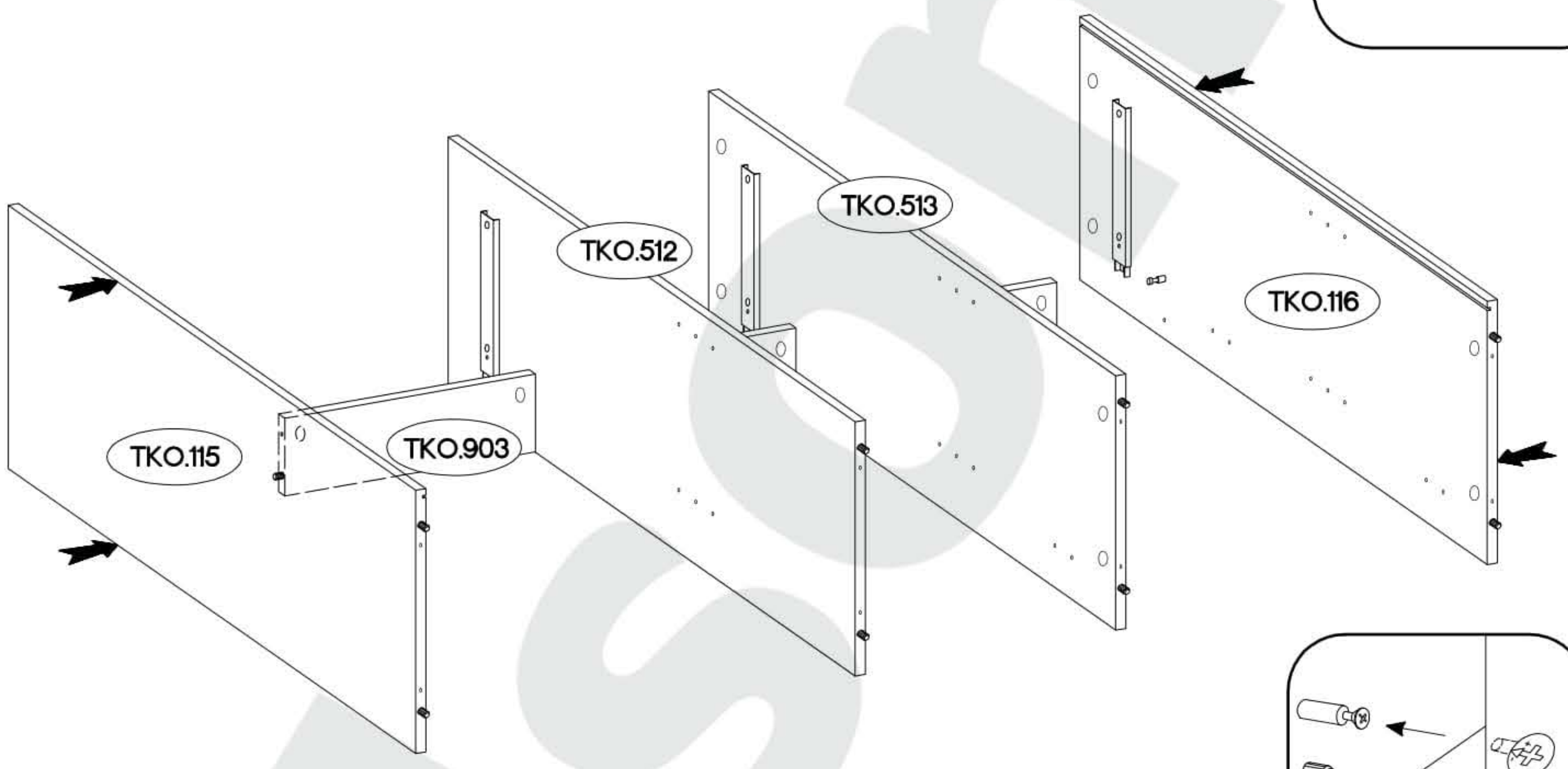
9



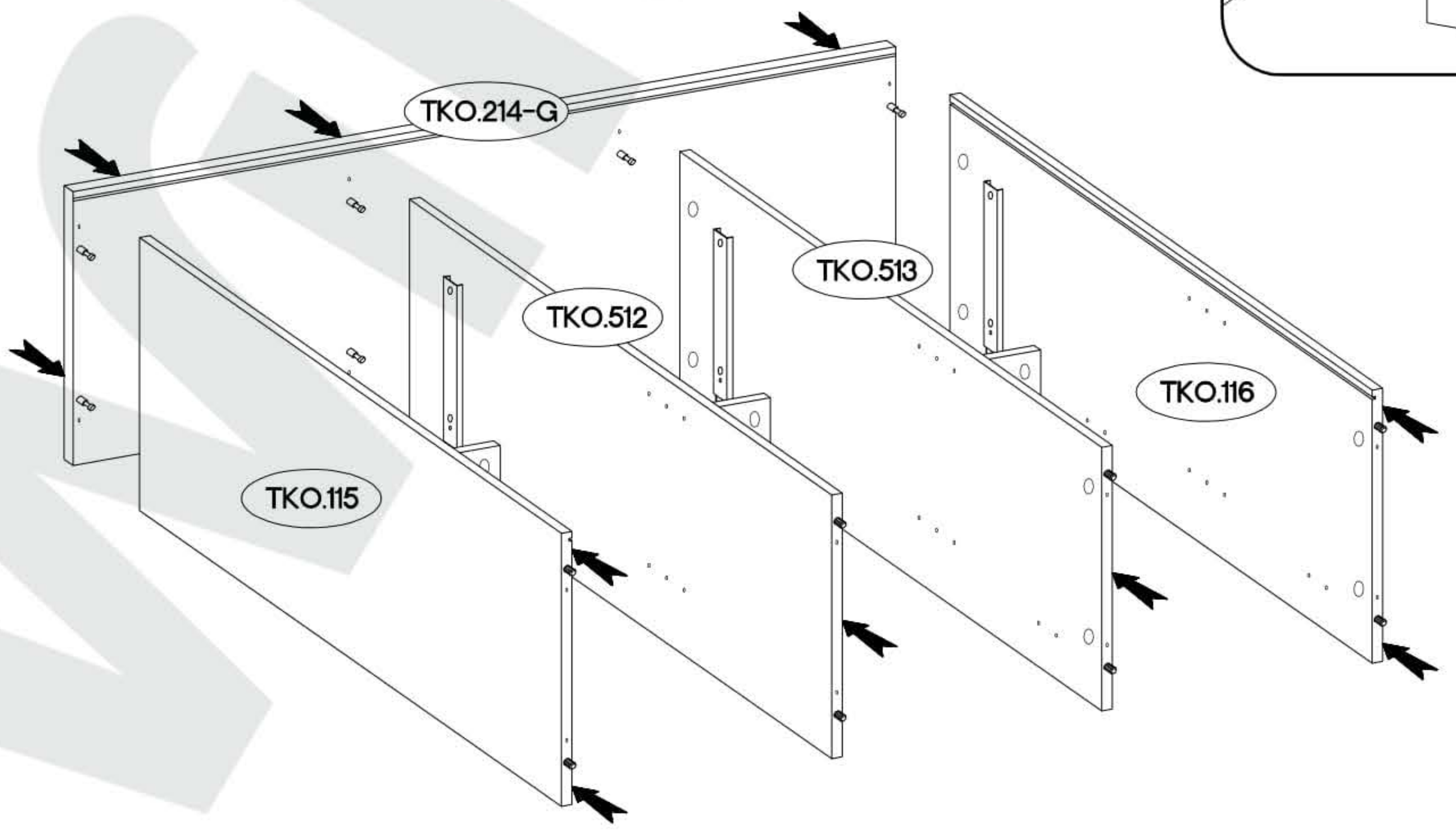
10





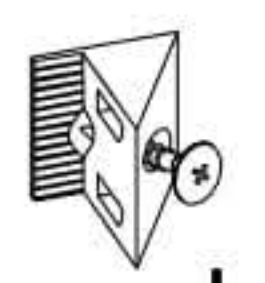
11

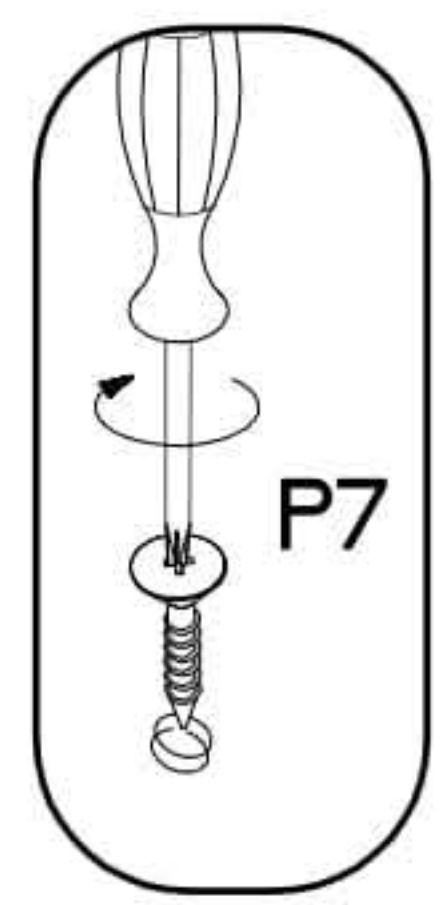
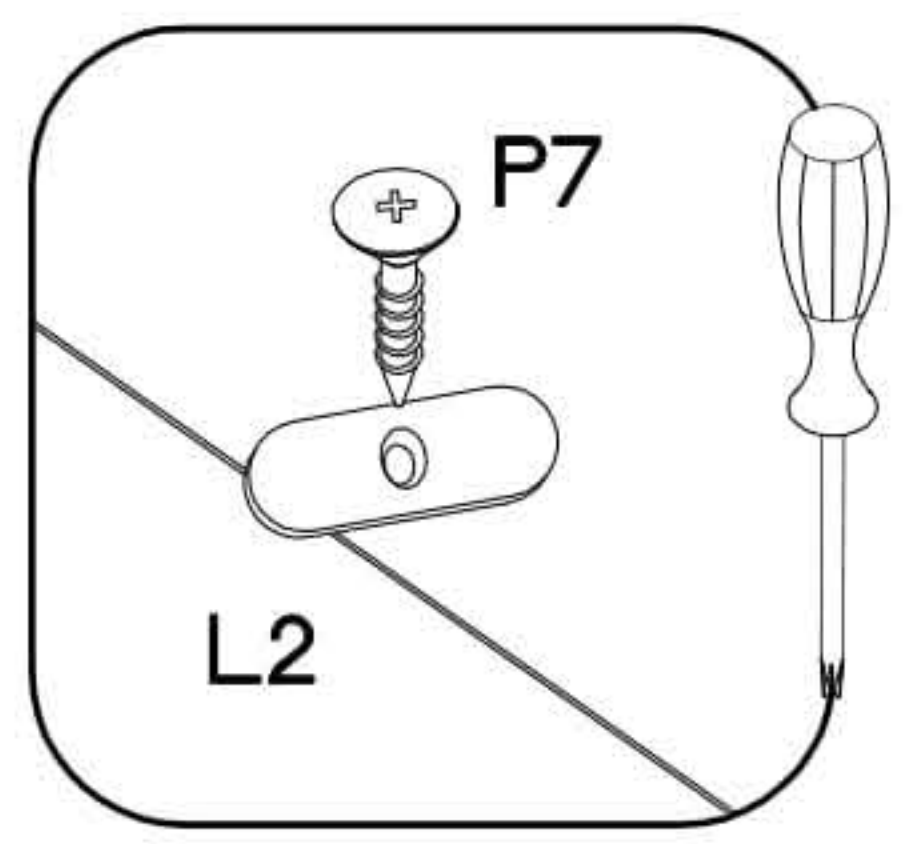
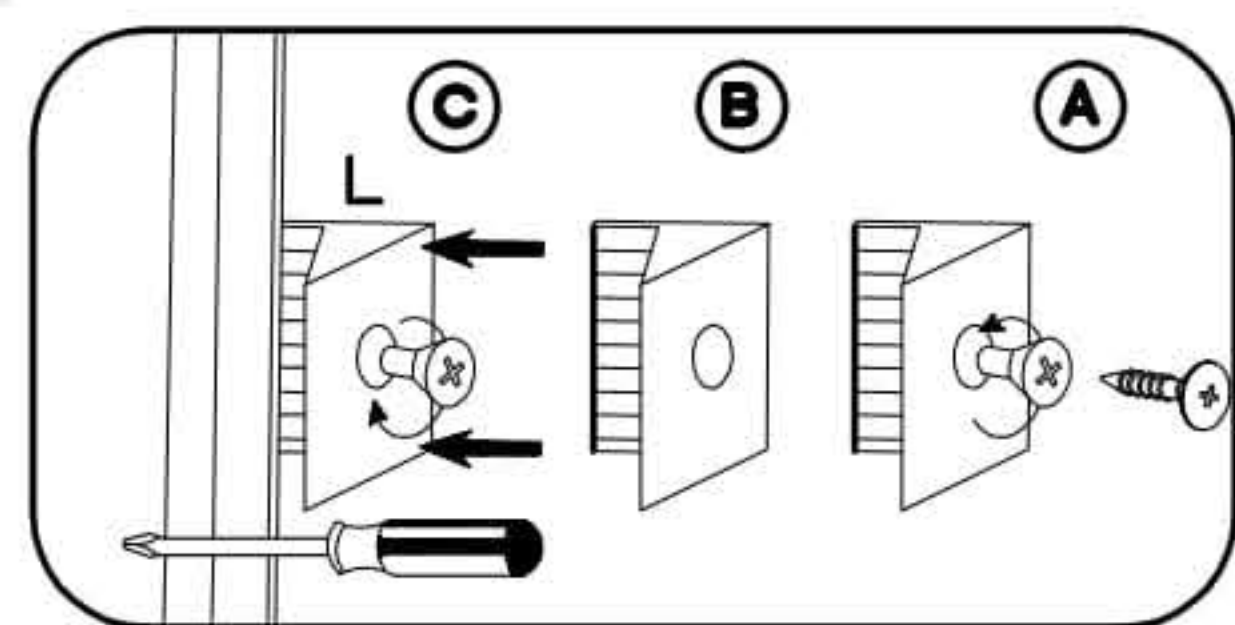
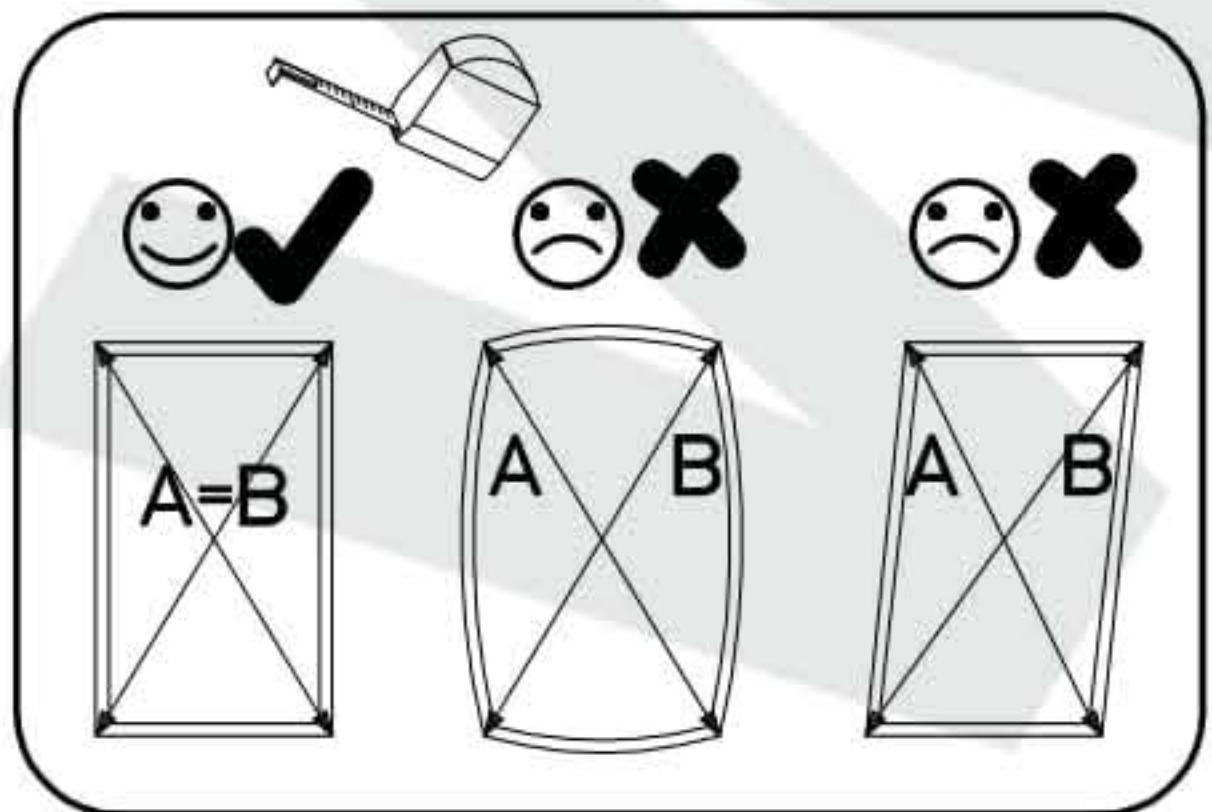
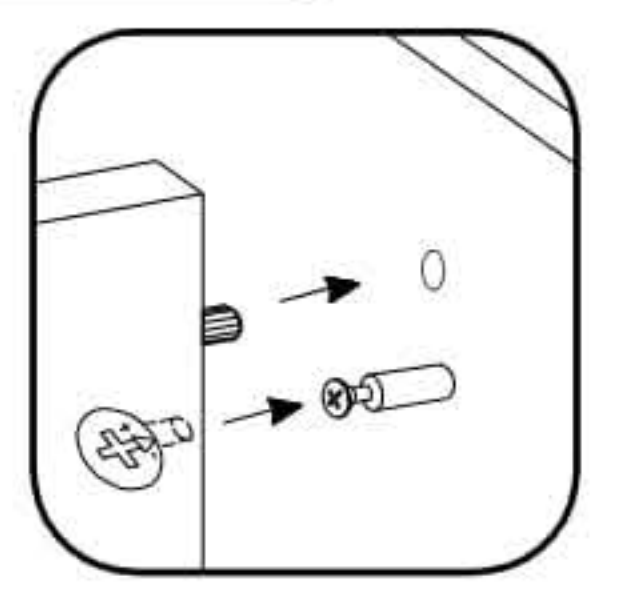
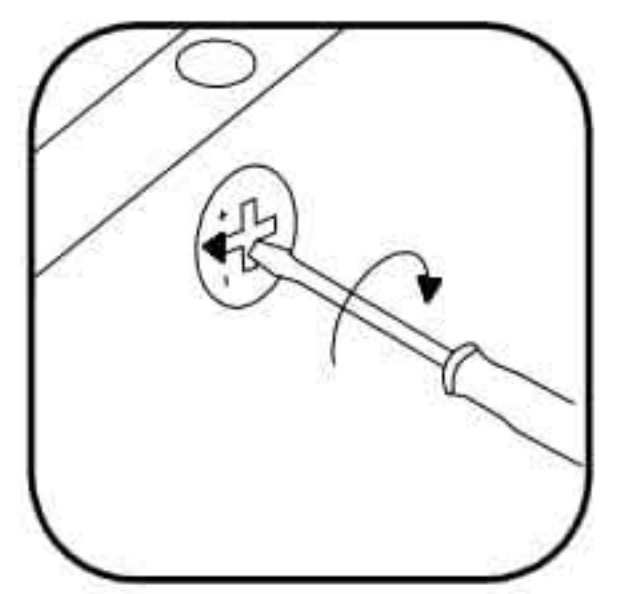
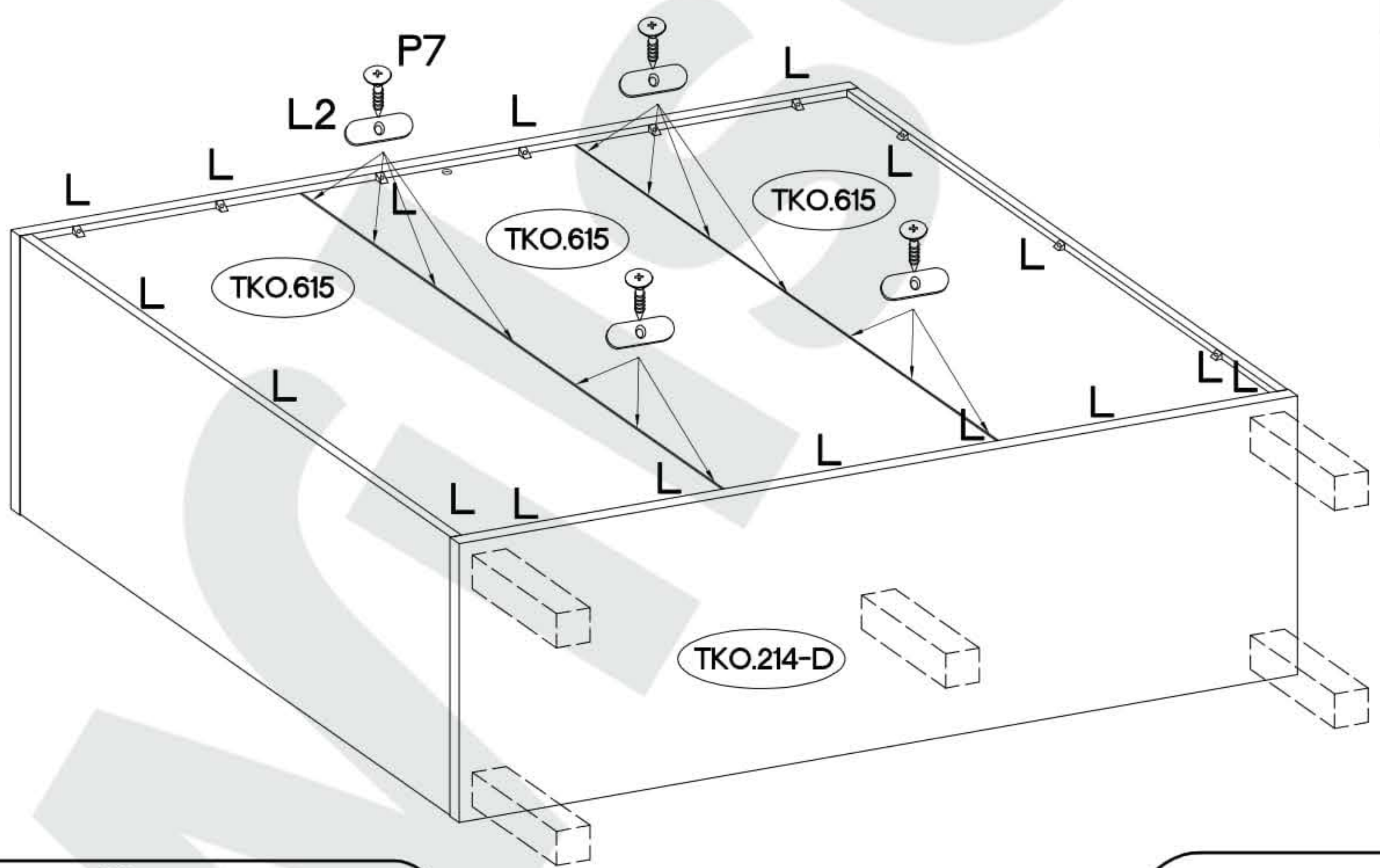
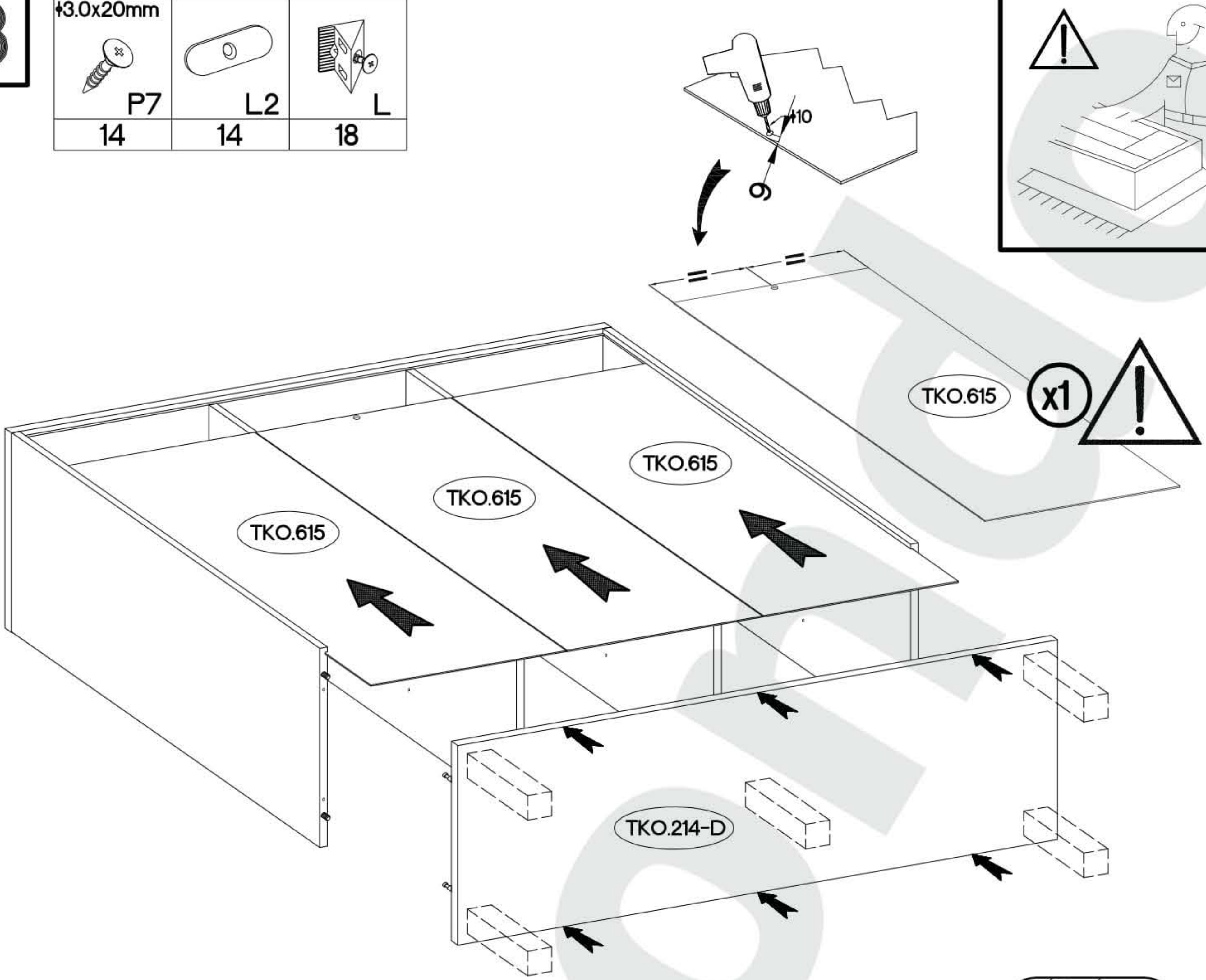
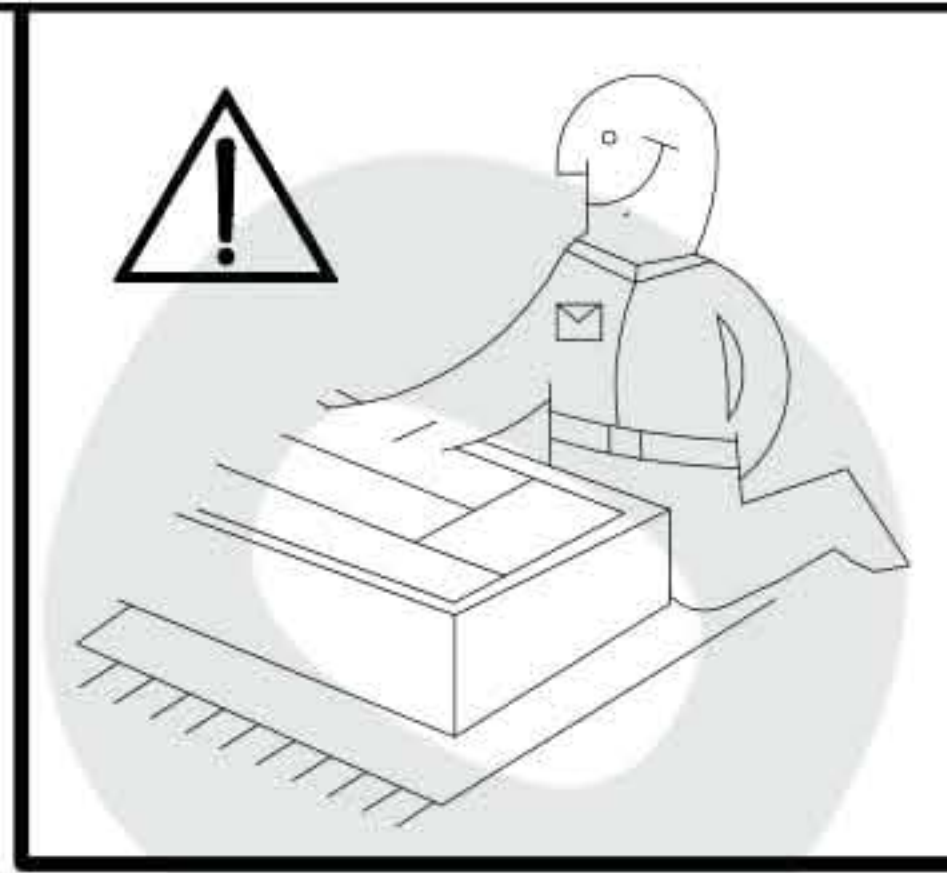


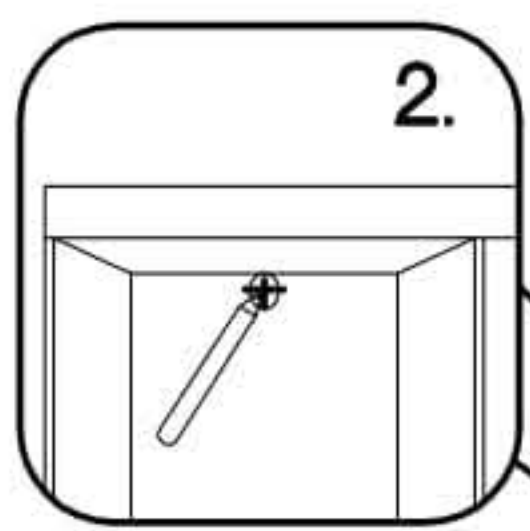
12



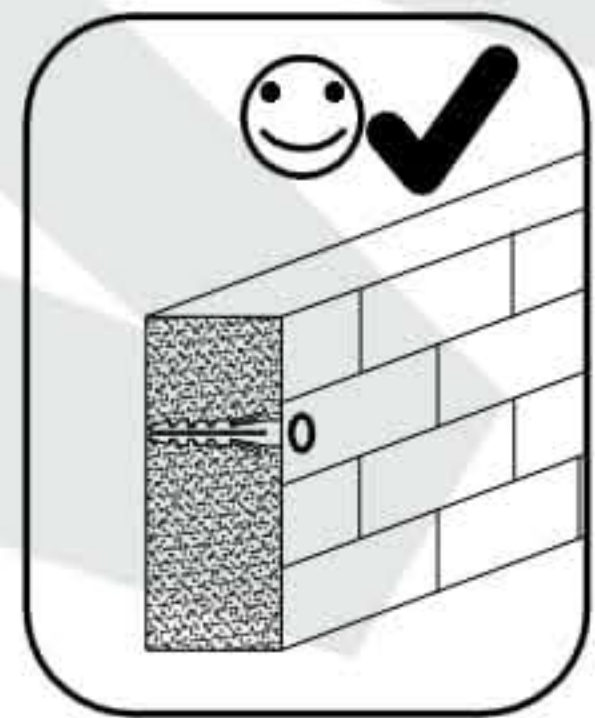
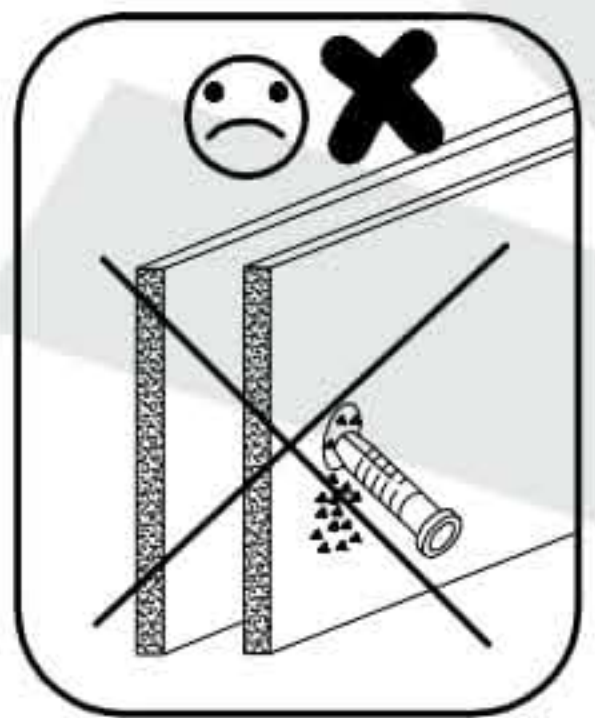
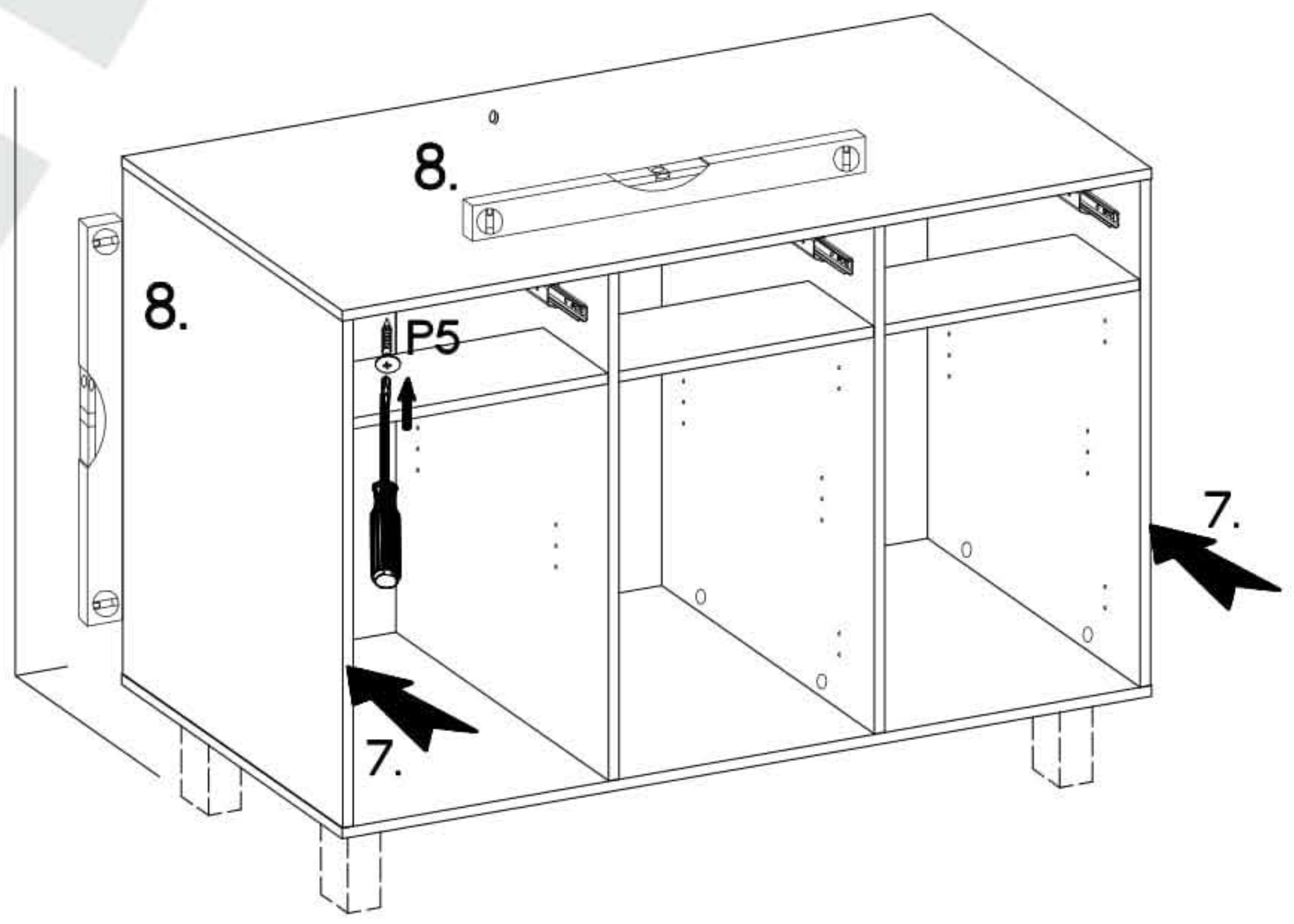
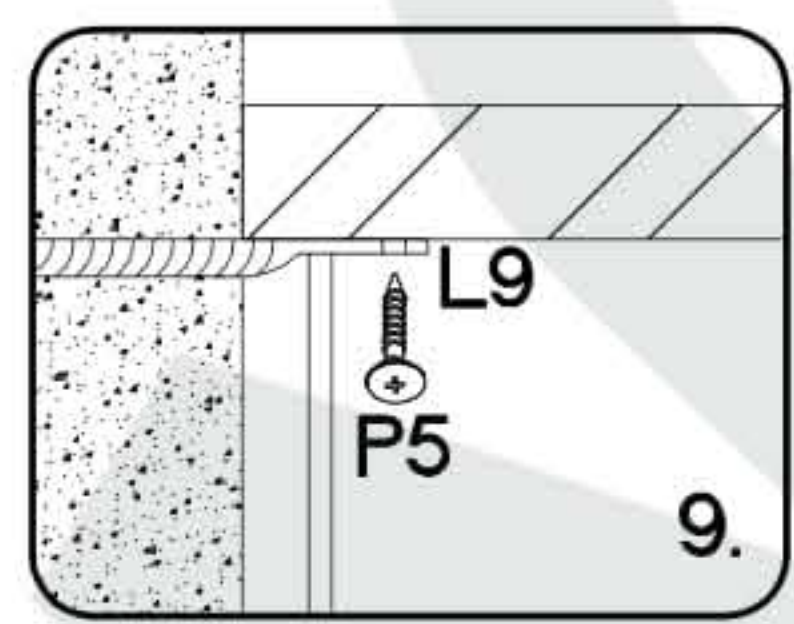
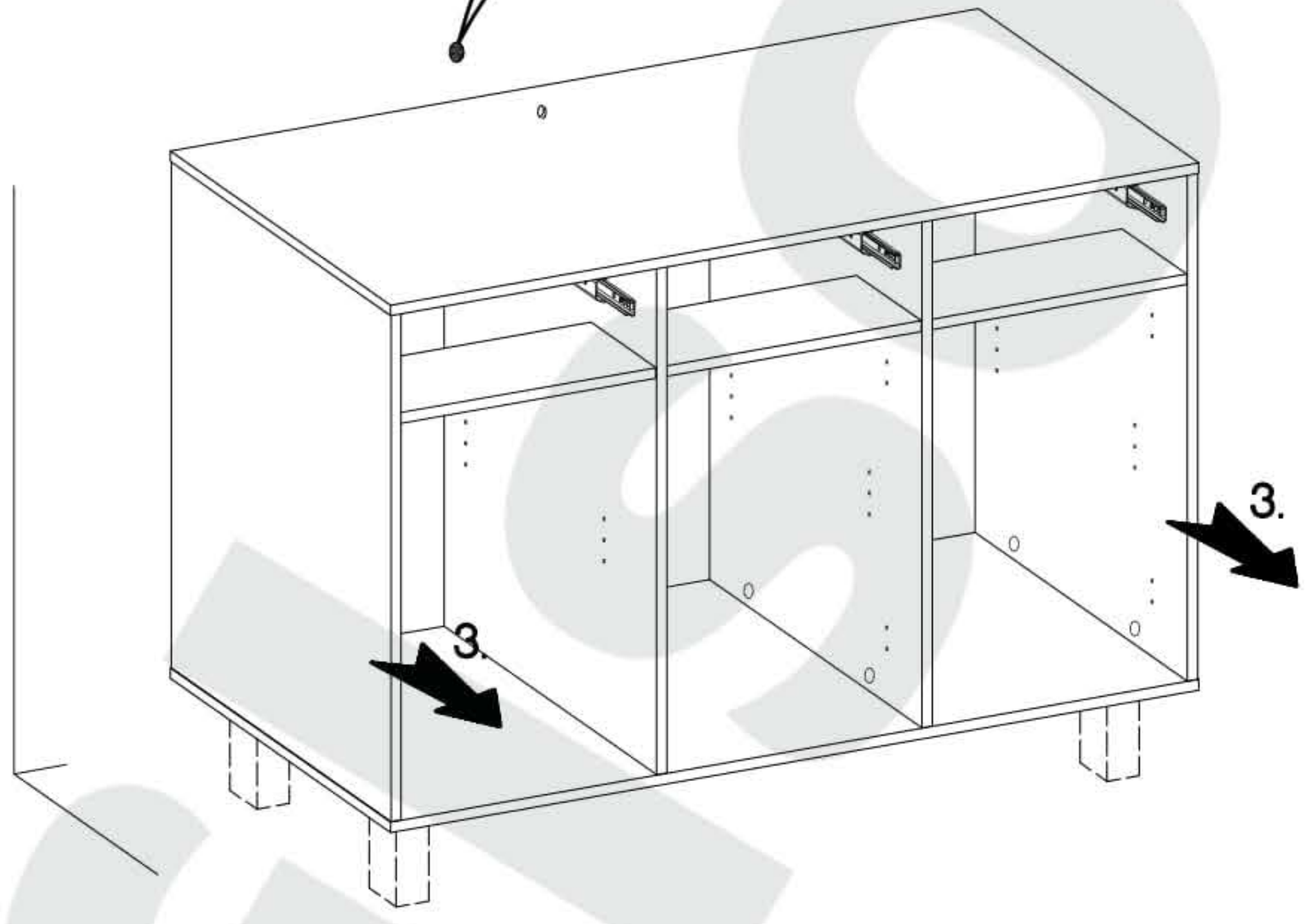
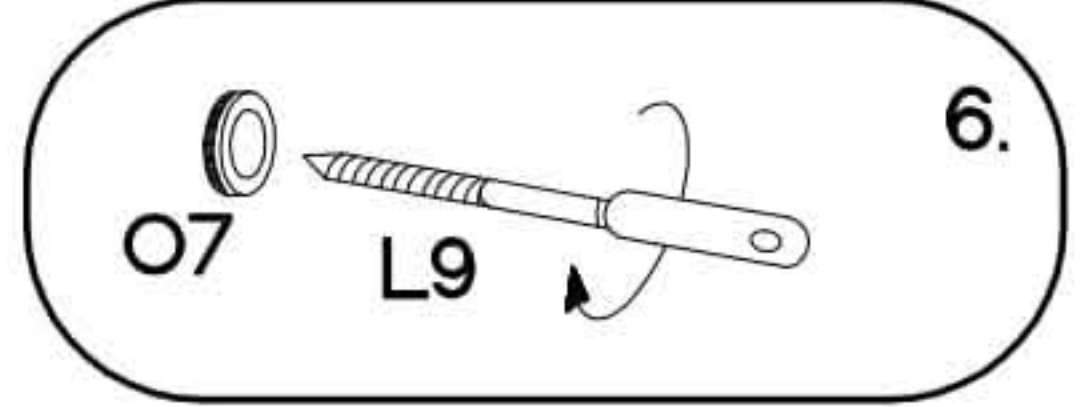
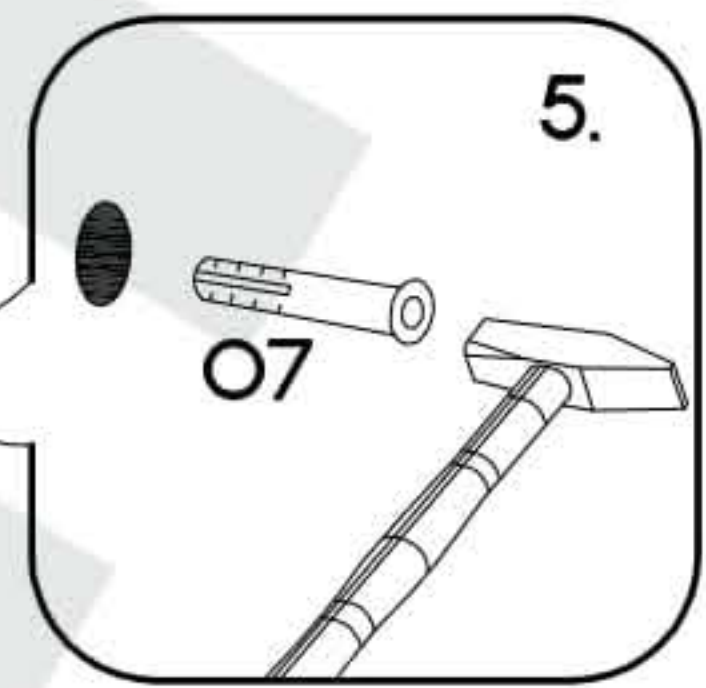
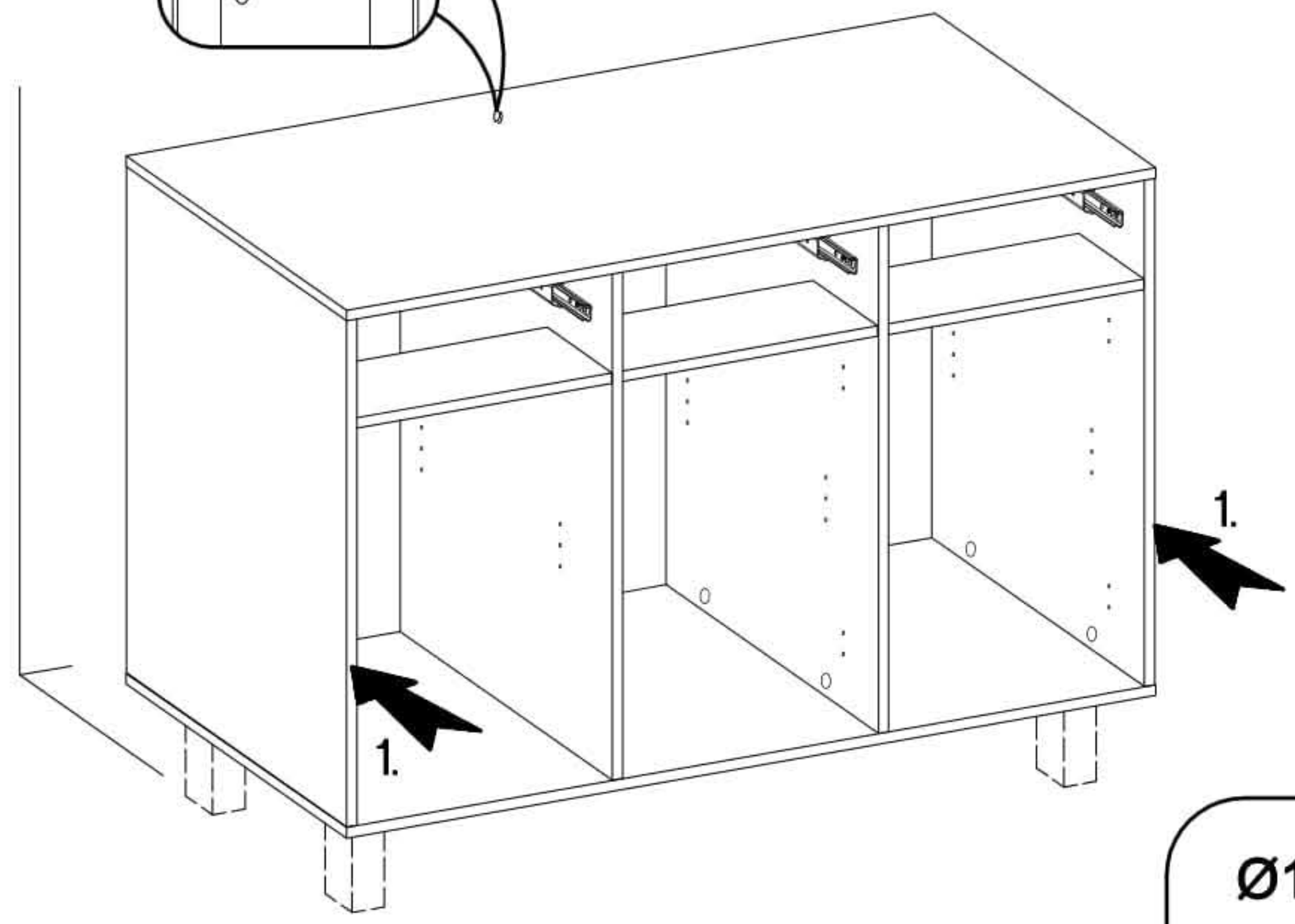


3.0x20mm		
		
P7	L2	L
14	14	18




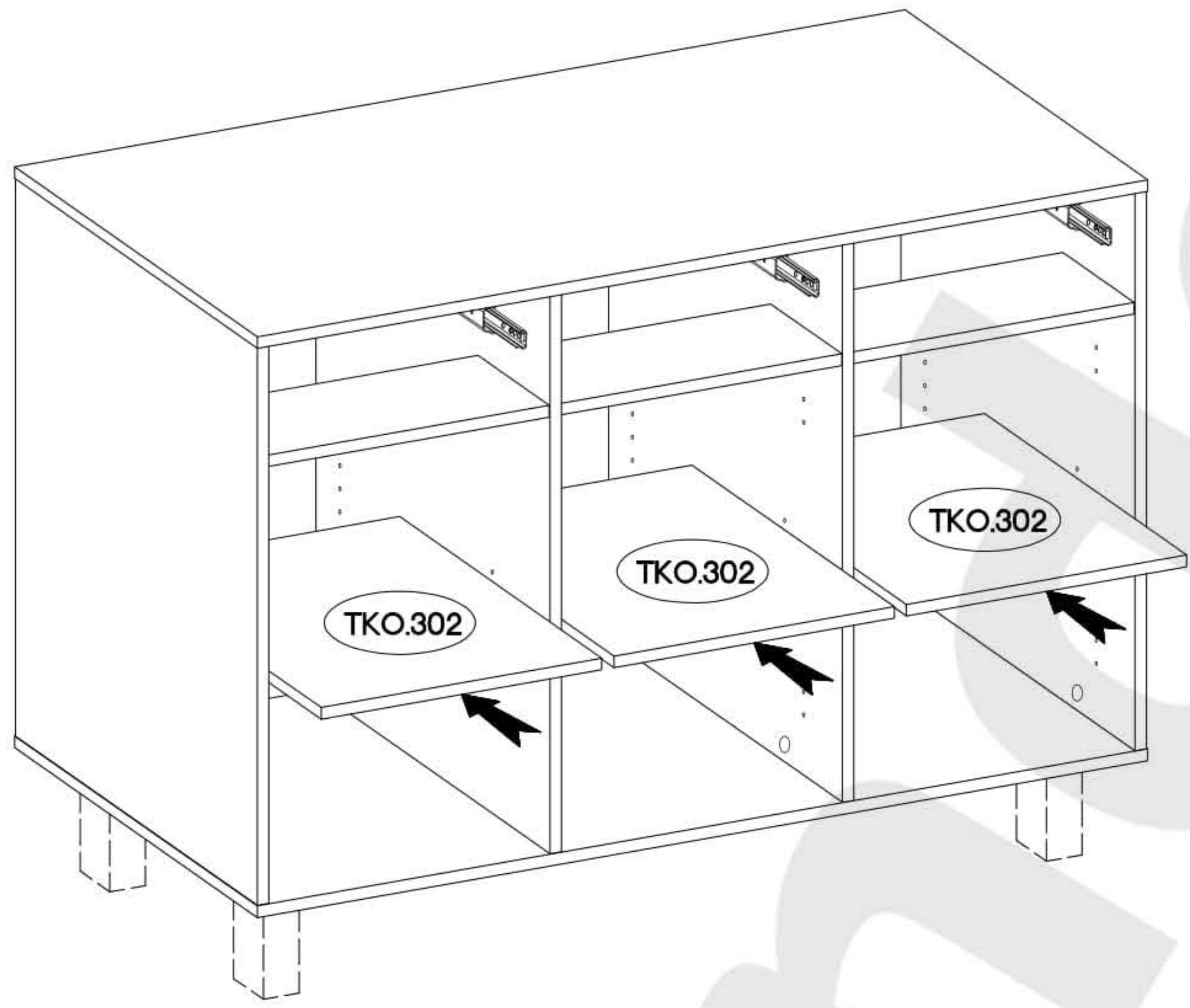
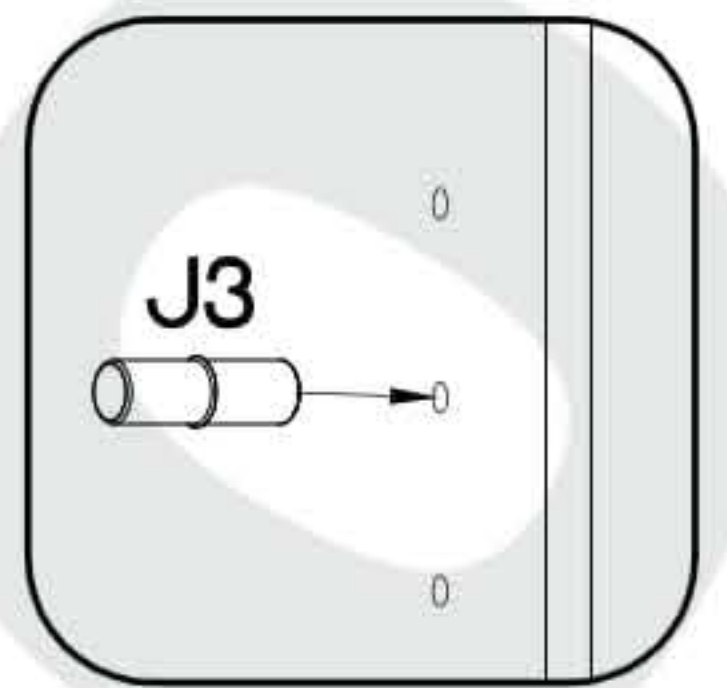


$\varnothing 10 \times 50 \text{mm}$  <b>O7</b> 1	 <b>L9</b> 1	$\varnothing 3.5 \times 13 \text{mm}$  <b>P5</b> 1
--	--------------------	---


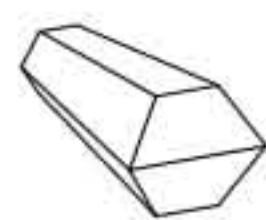

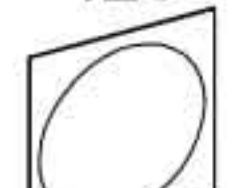


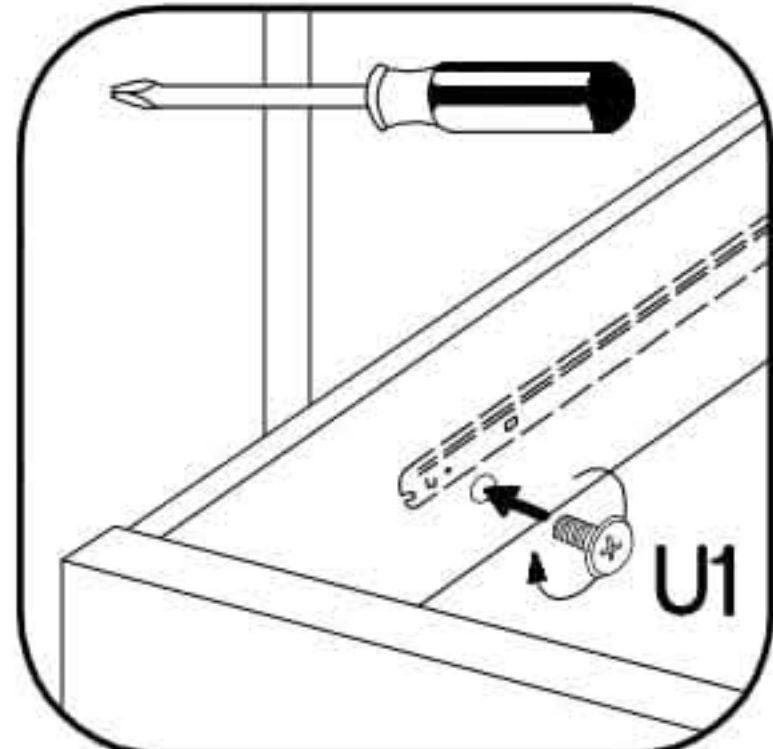
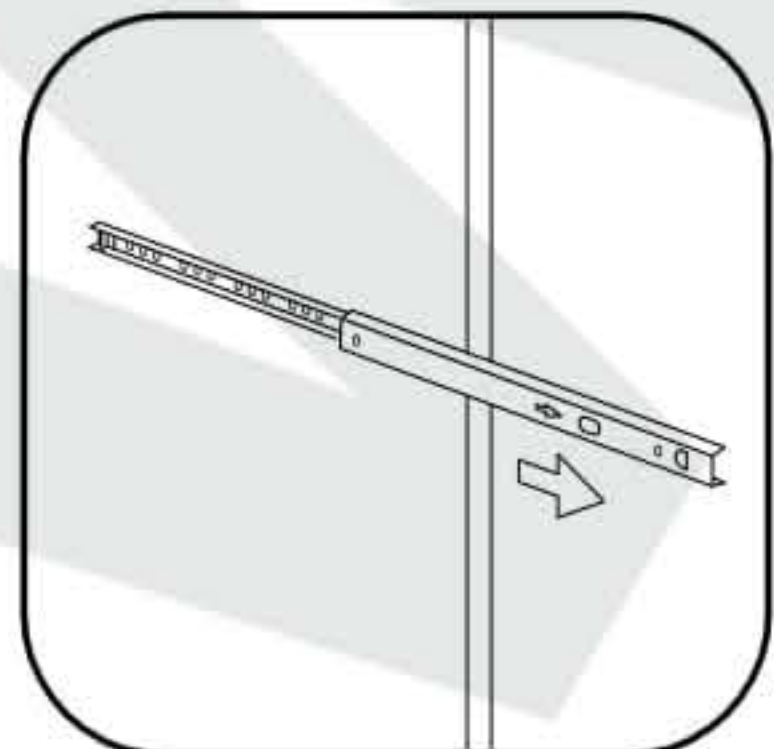
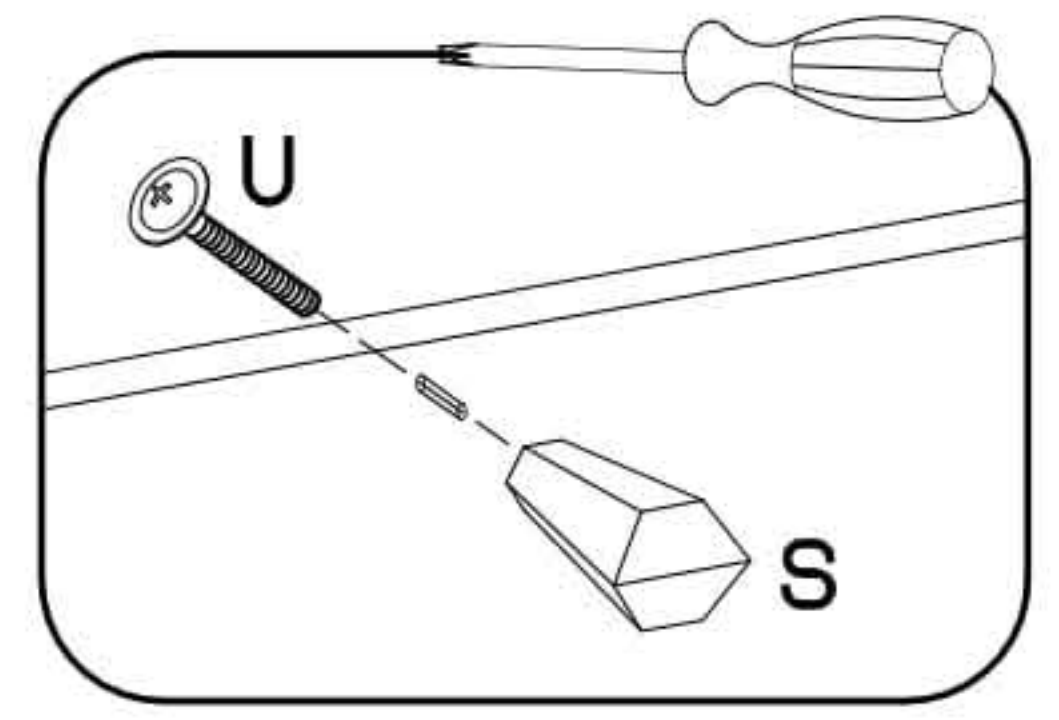
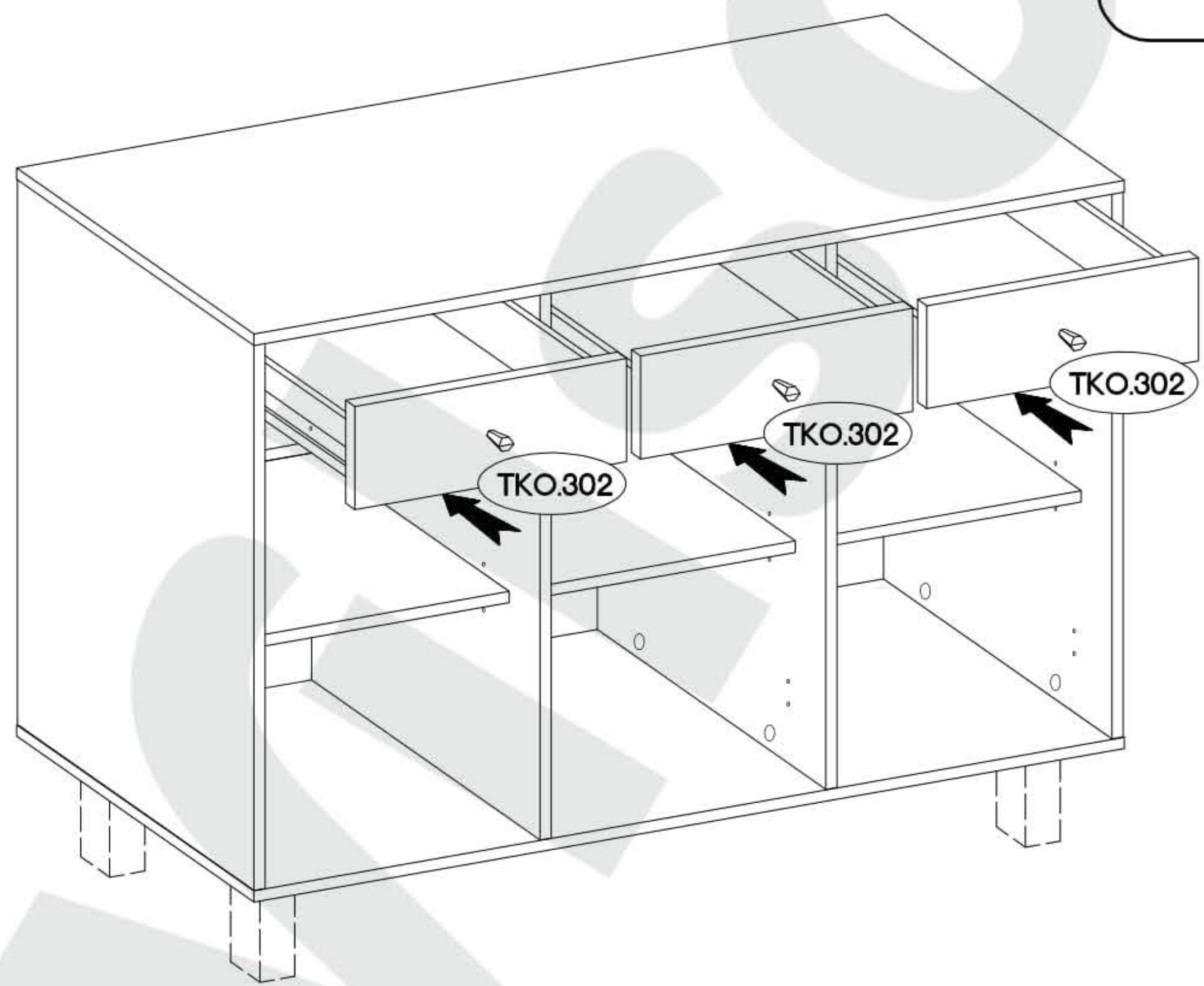
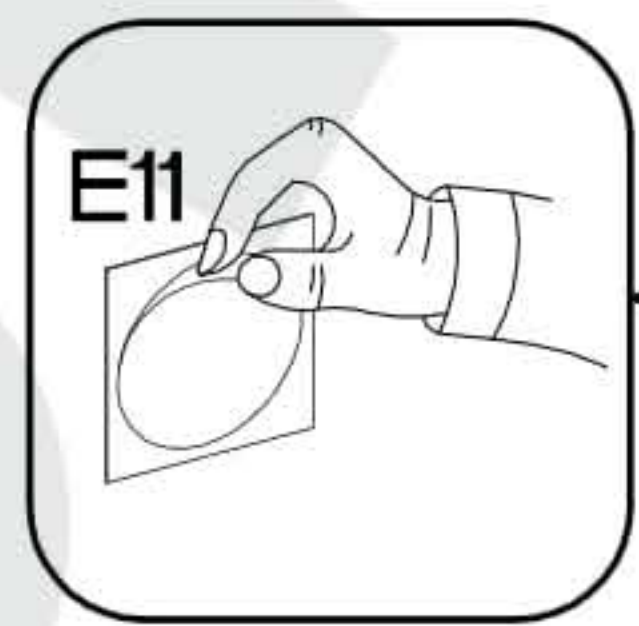
# 15

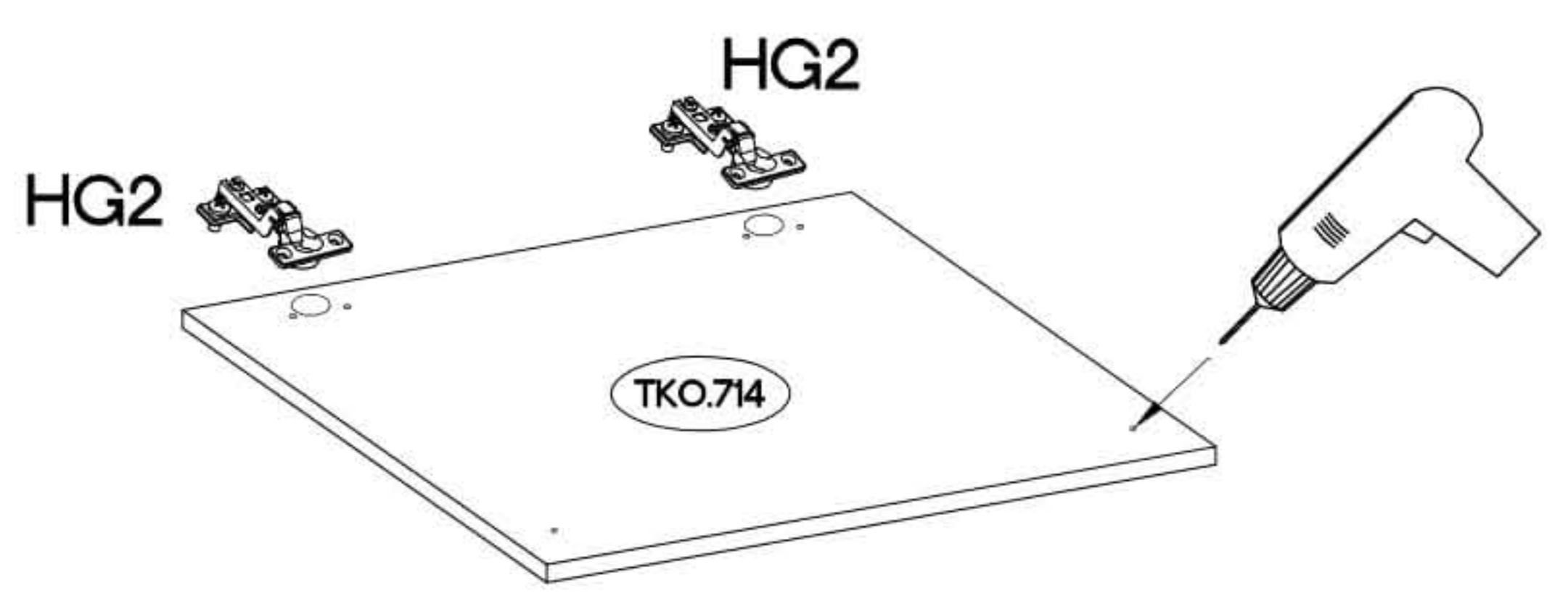
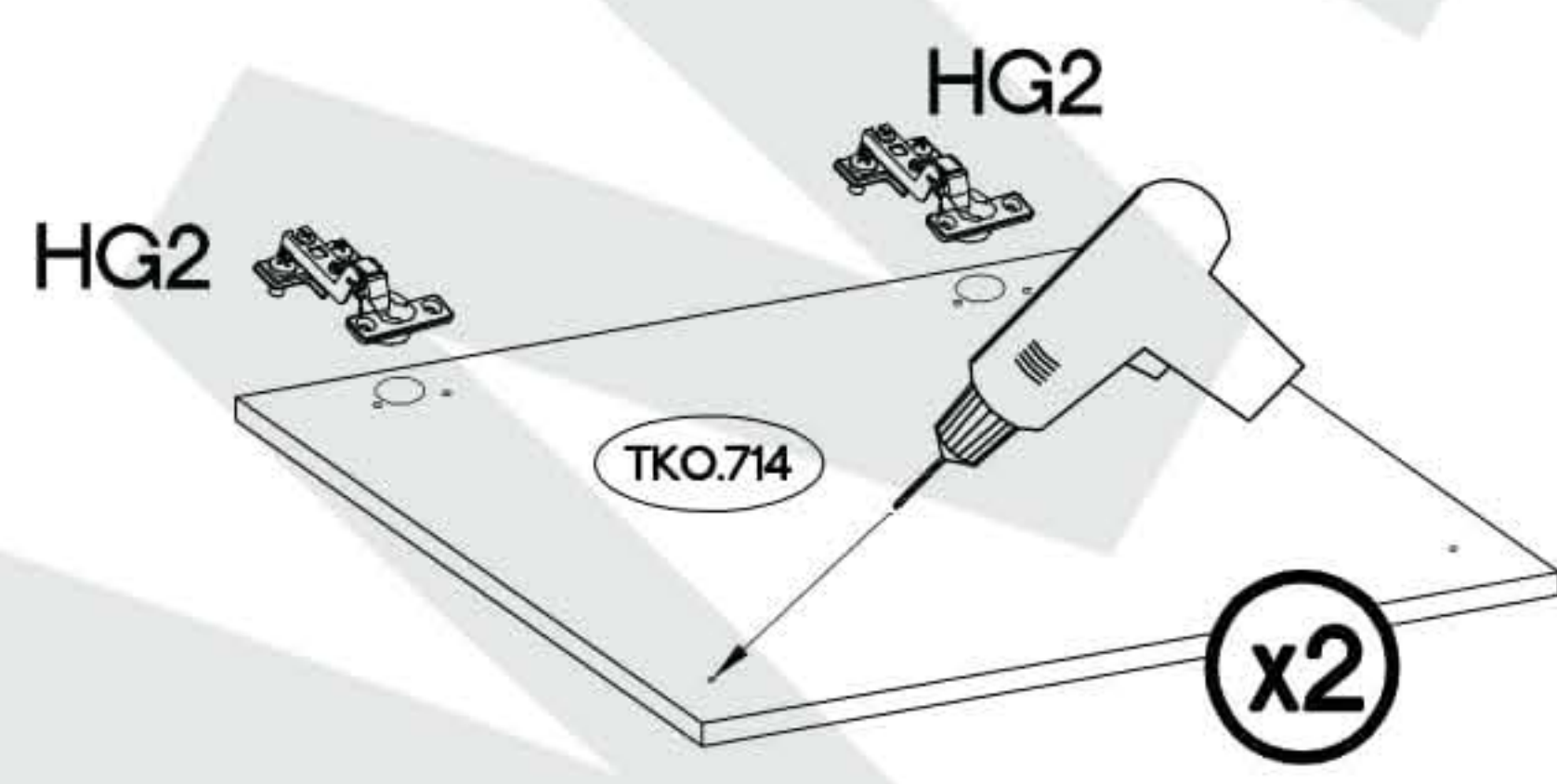
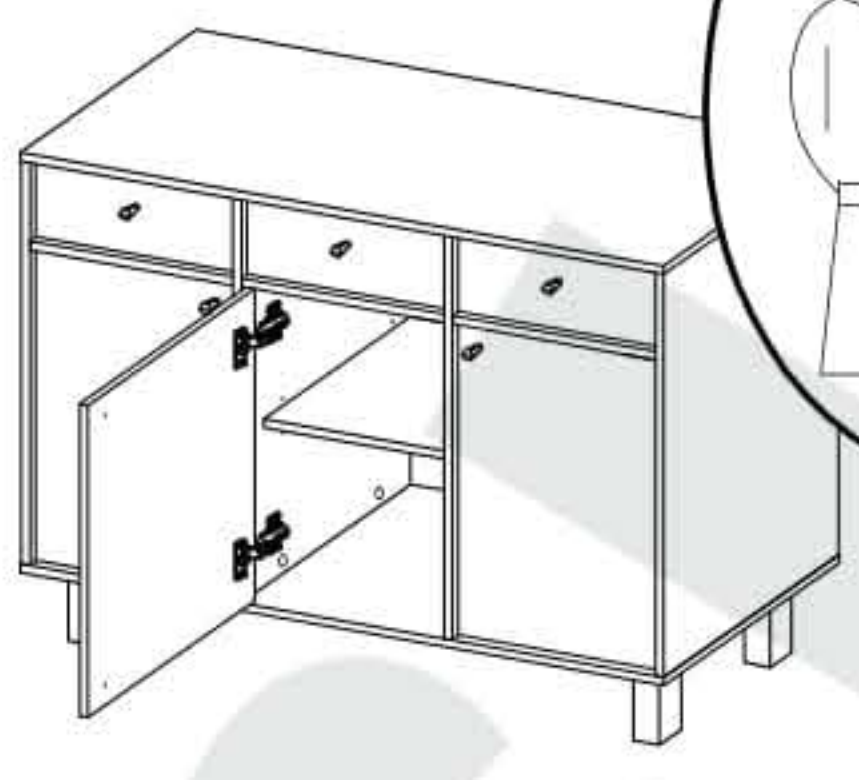
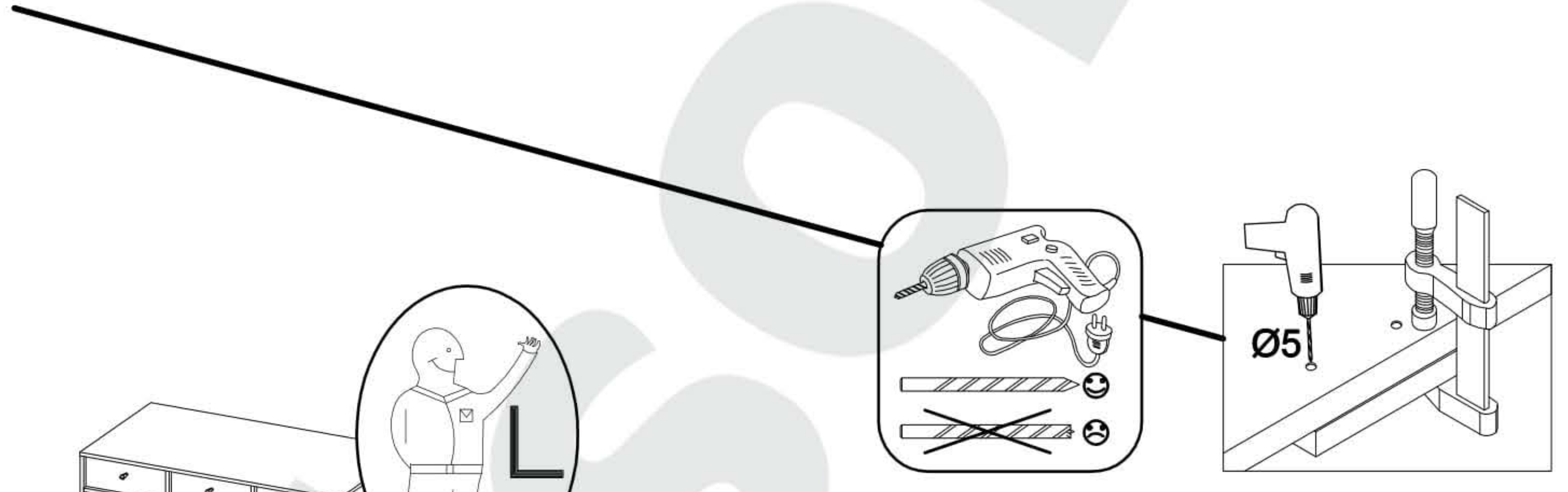
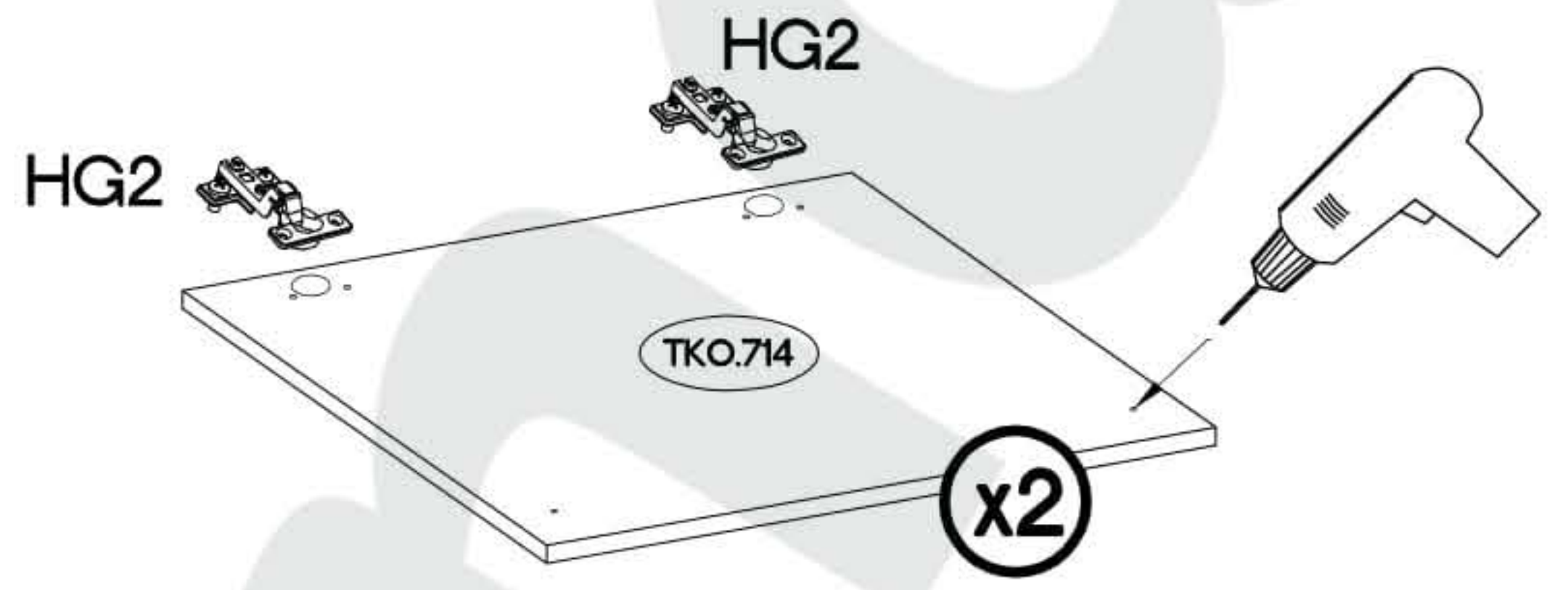
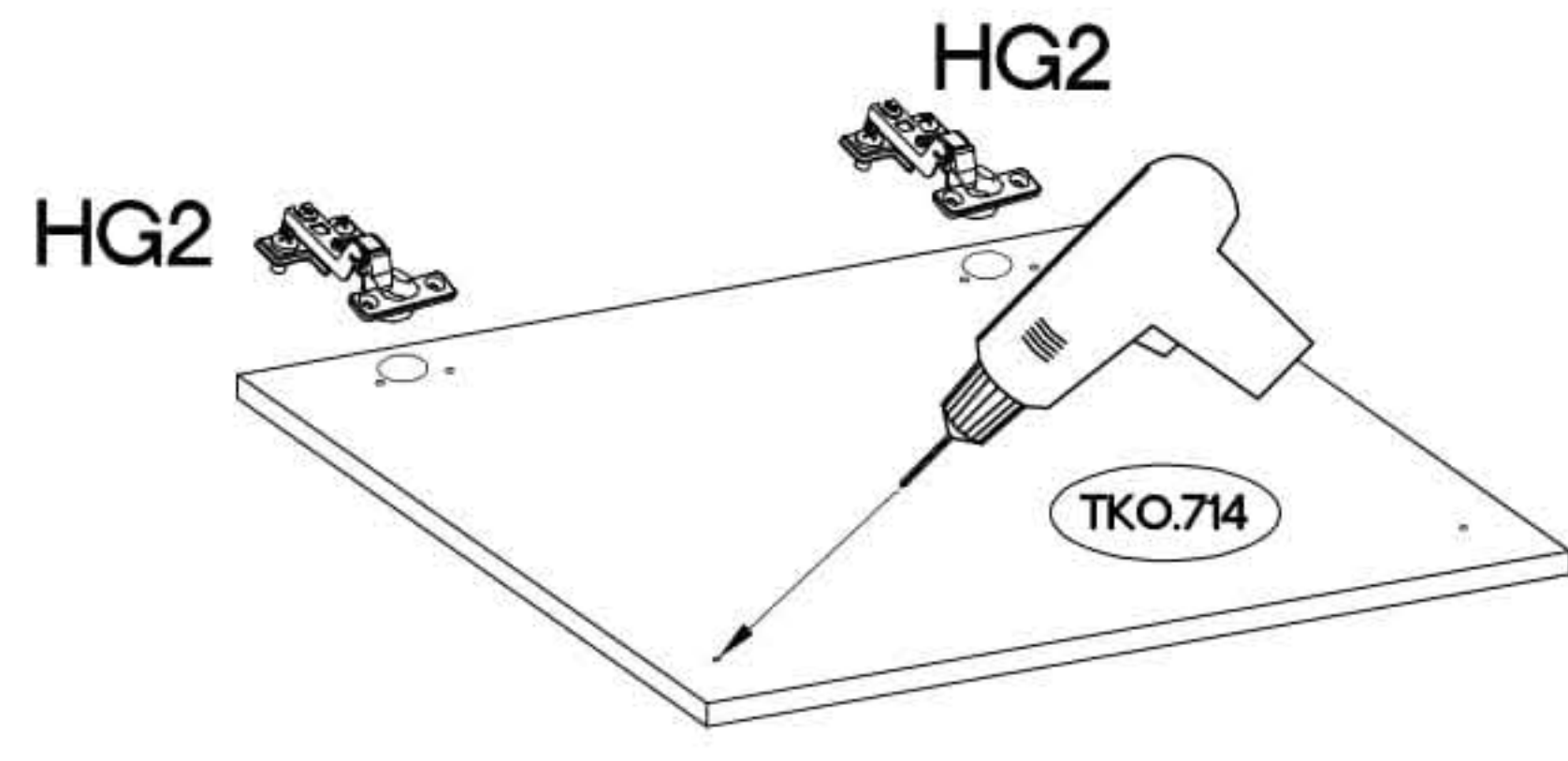
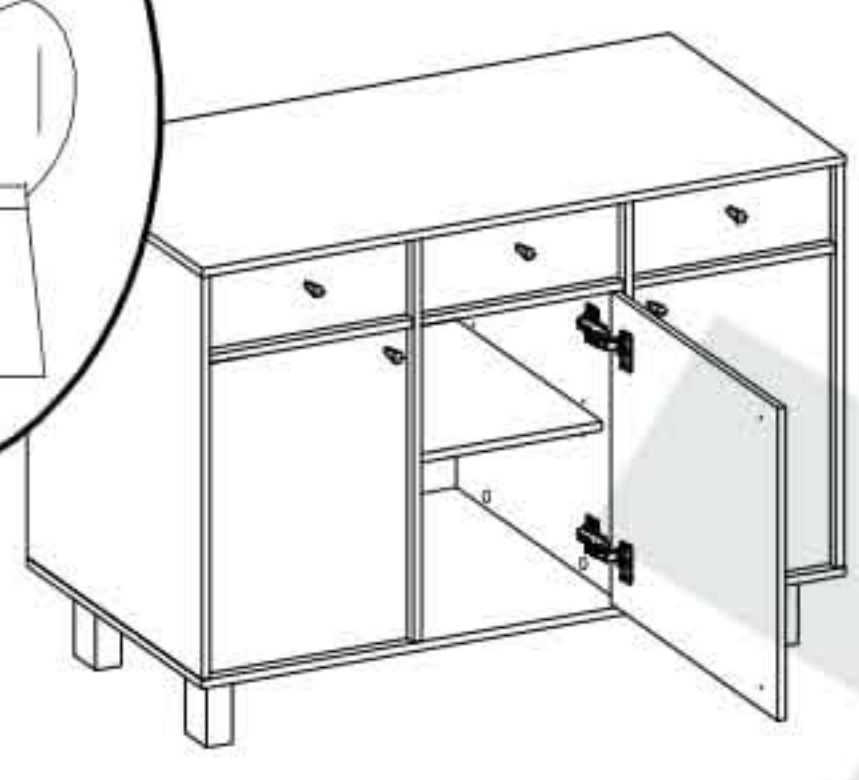
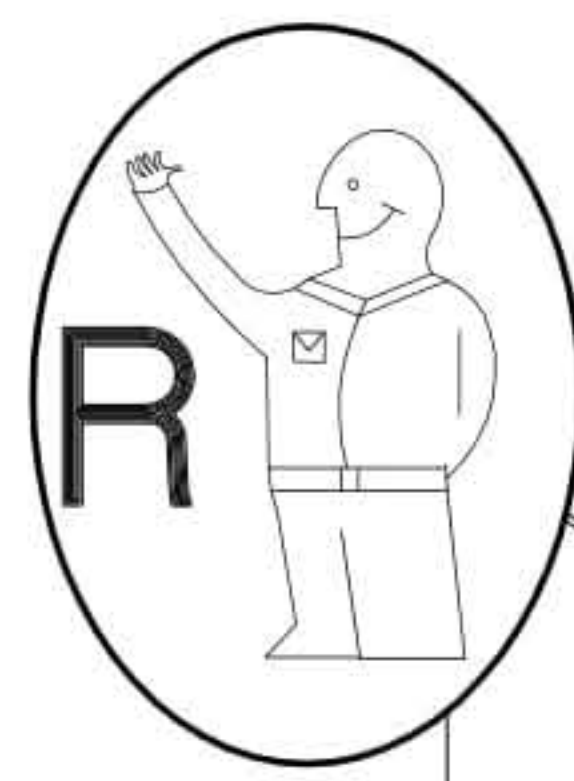
±5/16mm

J3
12

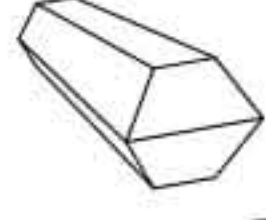




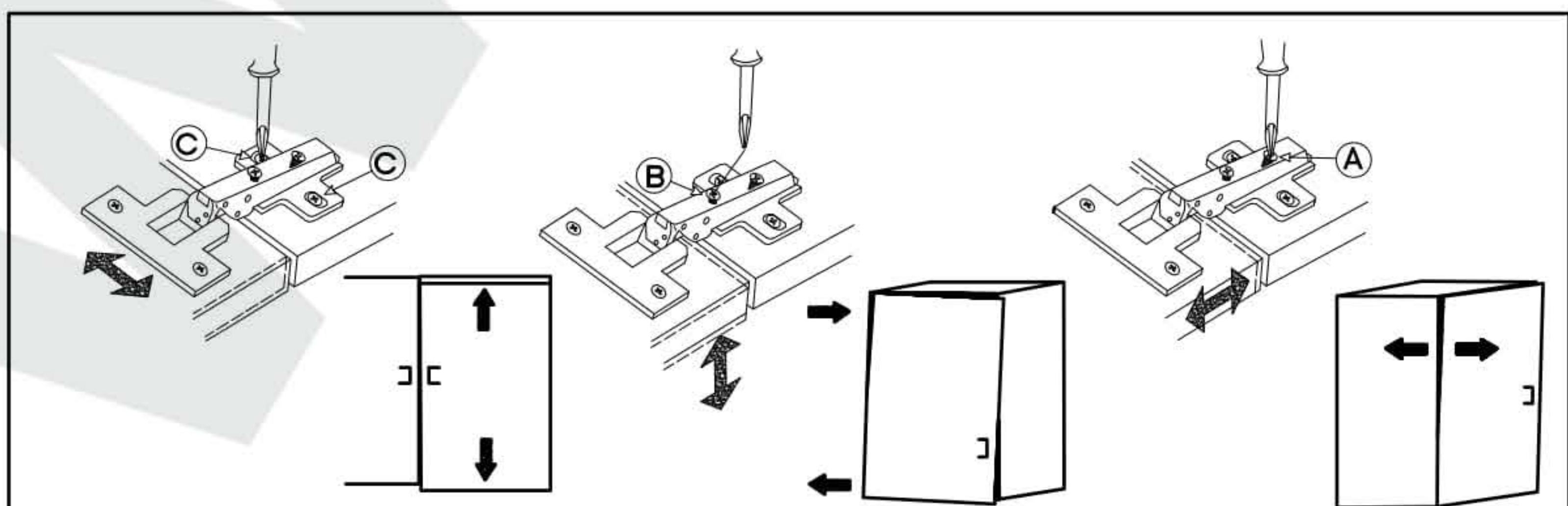
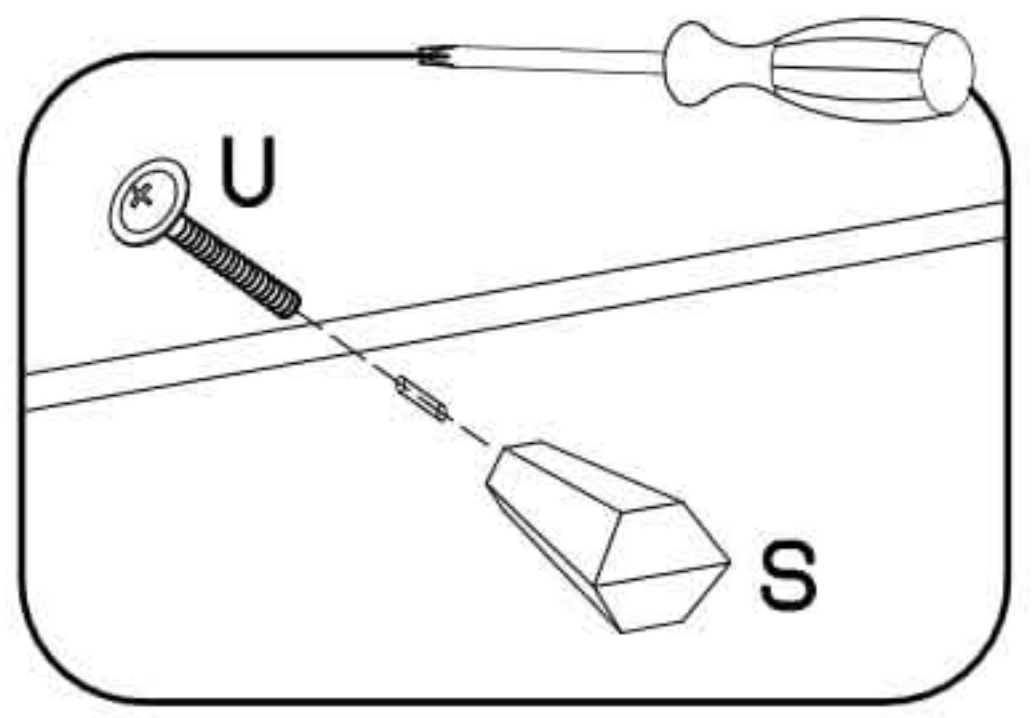
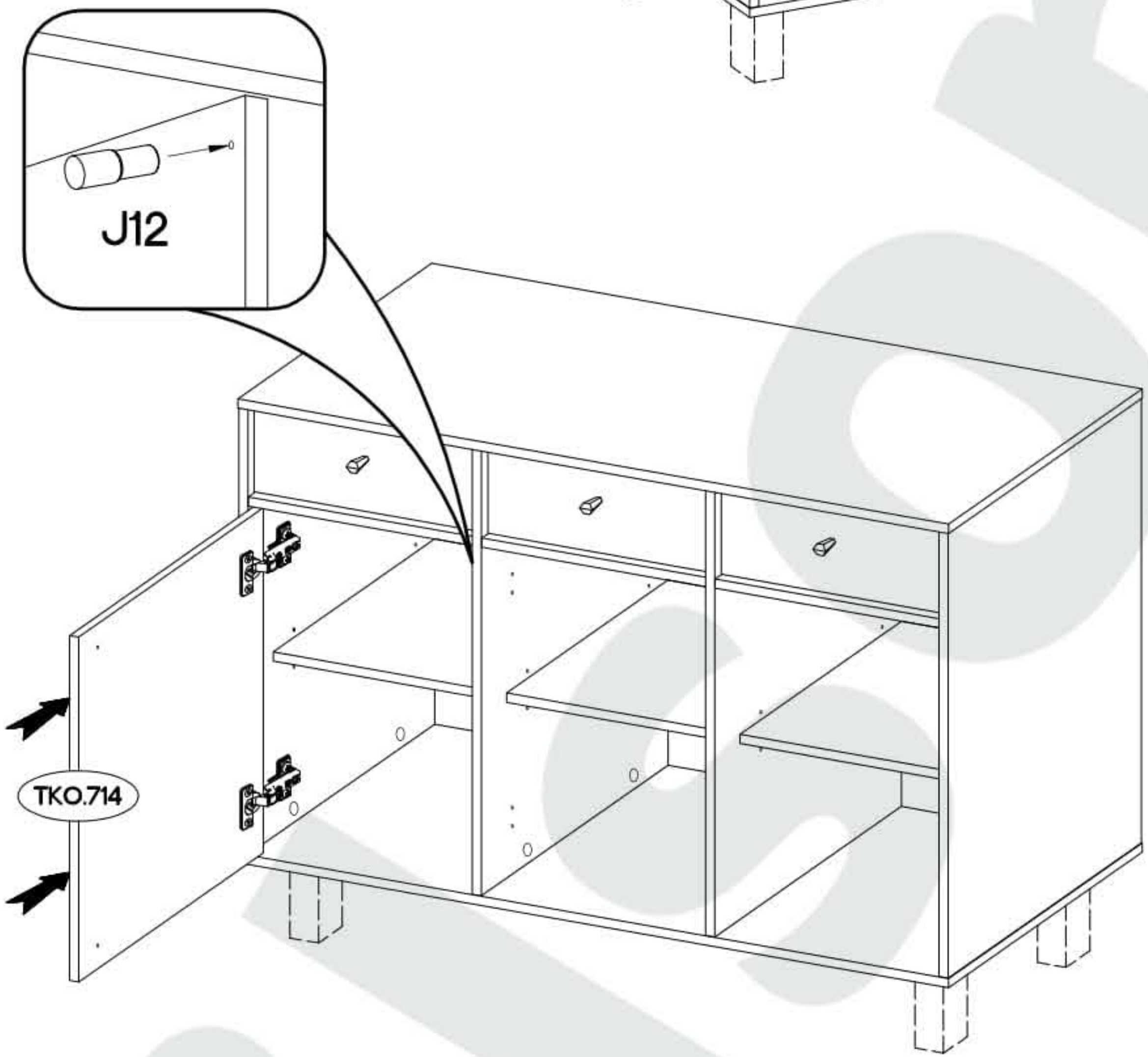
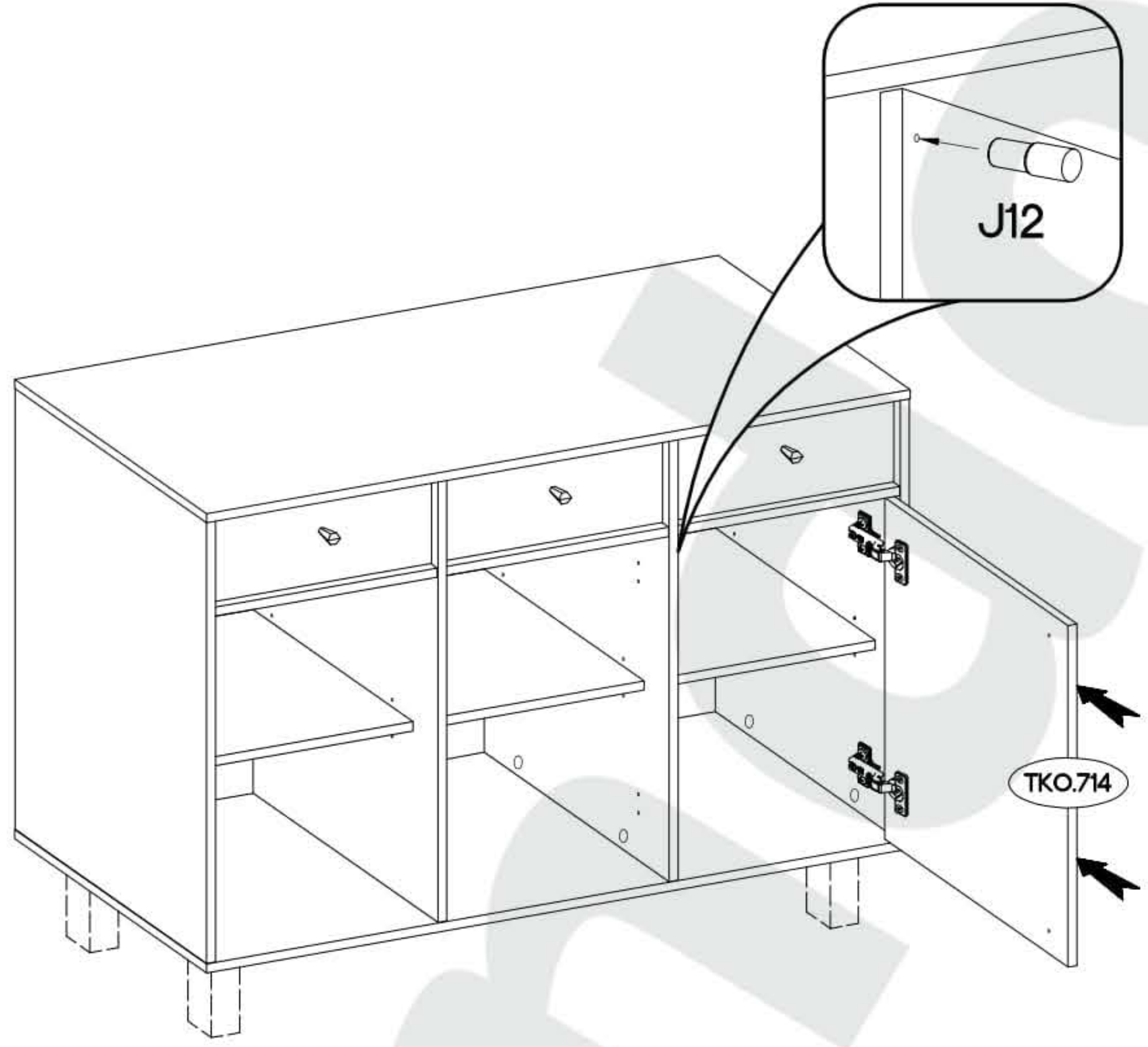
# 16

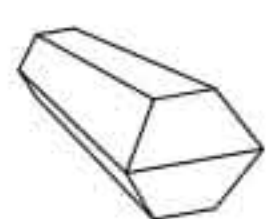


M4x9mm		M4x22mm	±20
			
U1	S	U	E11
6	3	3	14





		
S	U	J12
2	2	2



	<b>M4x22mm</b> 	
<b>S</b>	<b>U</b>	<b>J12</b>
1	1	1

