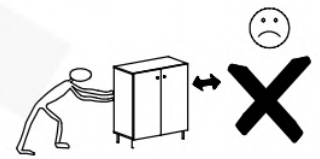
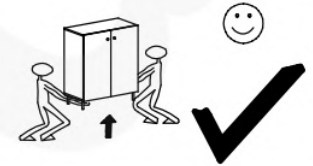
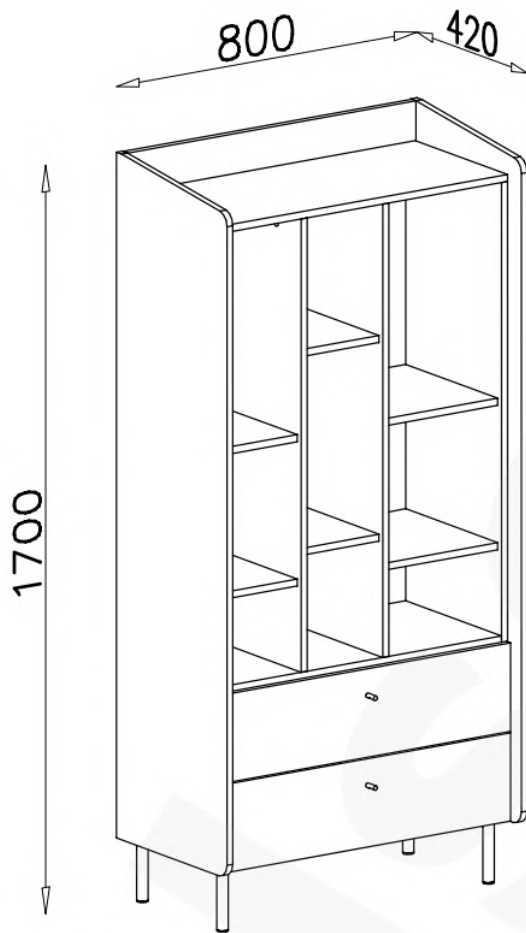
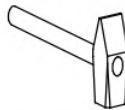
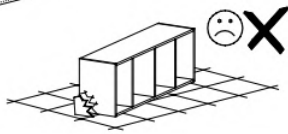
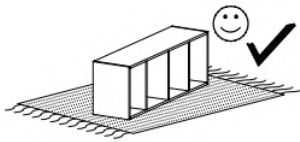
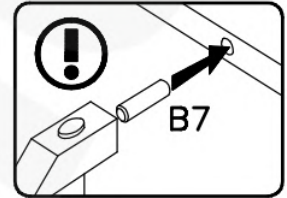
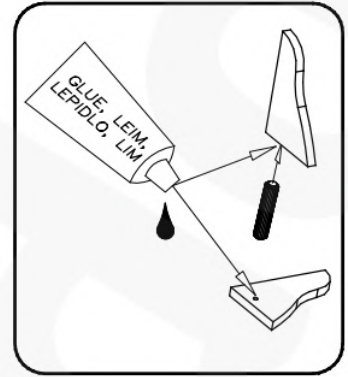
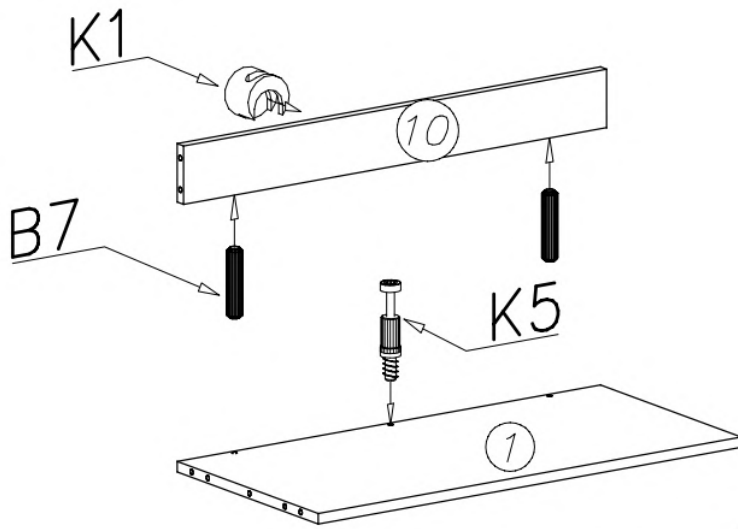


ALESSIO AE 6

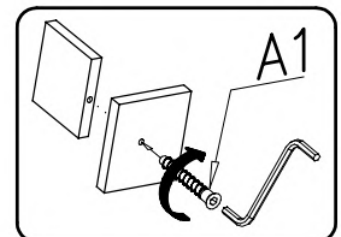
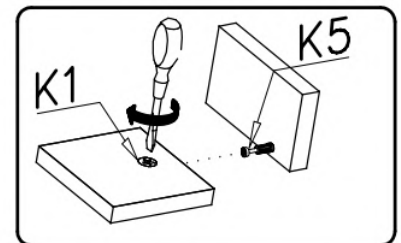
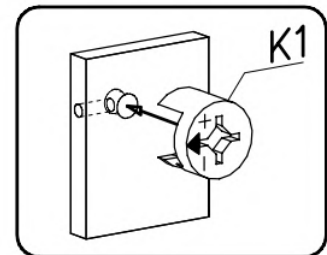
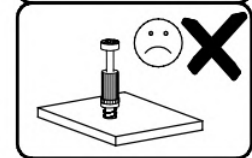
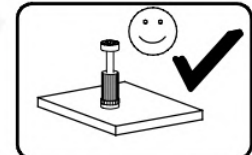
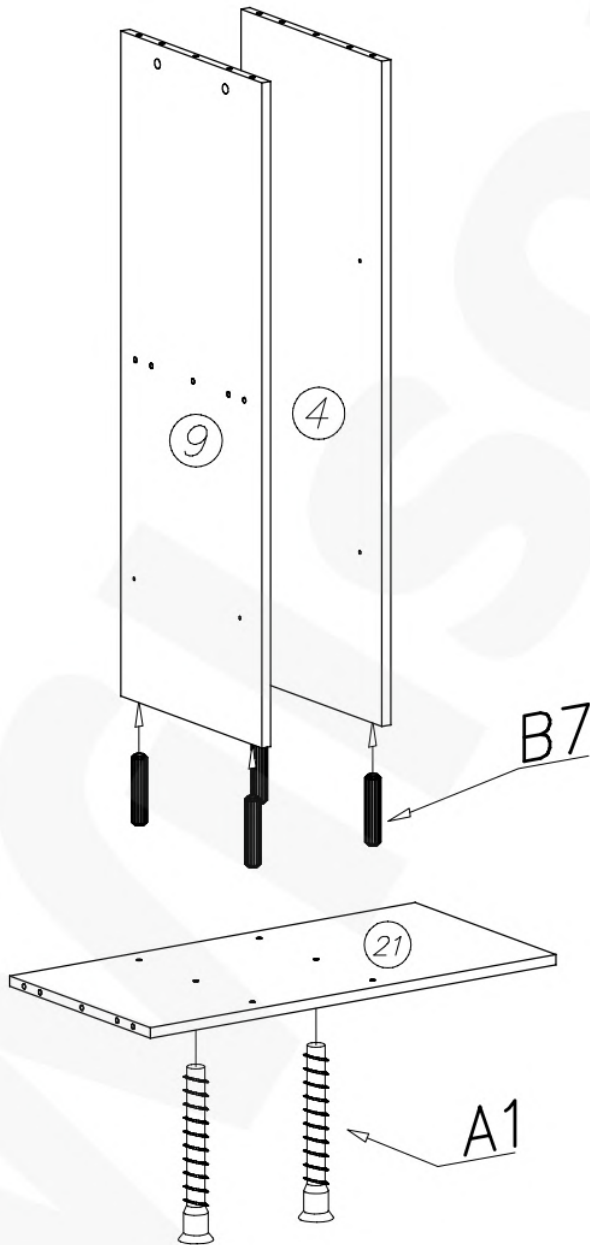


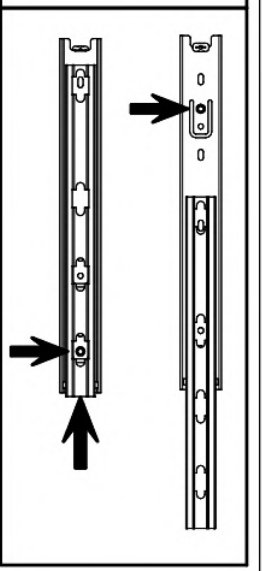
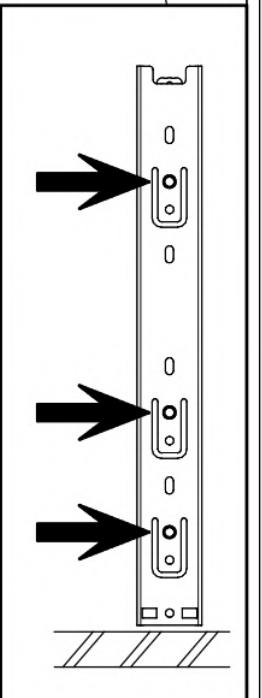
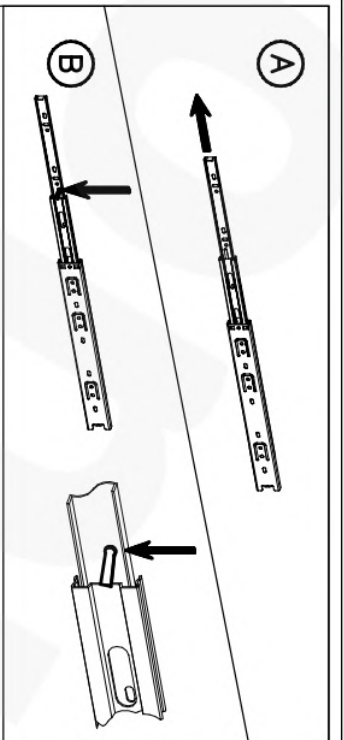
I7 ø18 x27	E13 x2	G1 4x13 x20	H24 350mm x2	F1 x16
W2 x1	W1 GLUE, LEIM, LEPIDLO, LIM x4	N13 M4x22 x2	G10 6x13 x12	P6 x4
A1 ø7x50 x4	B7 ø8x30 x70	G2 3x20 x60	S2 x18	K1 ø15x12 x31
			K5 x31	

I

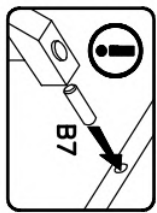
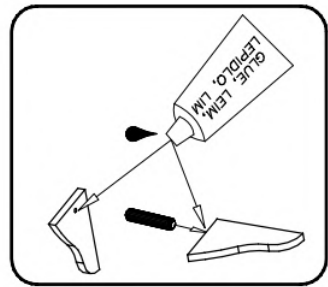
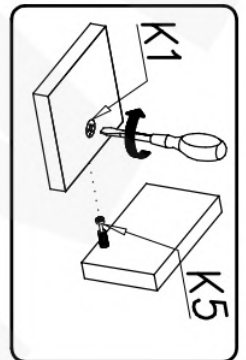
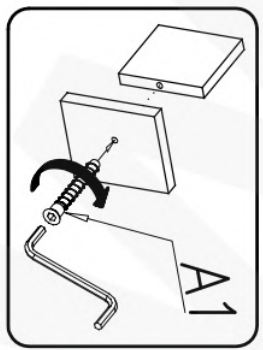
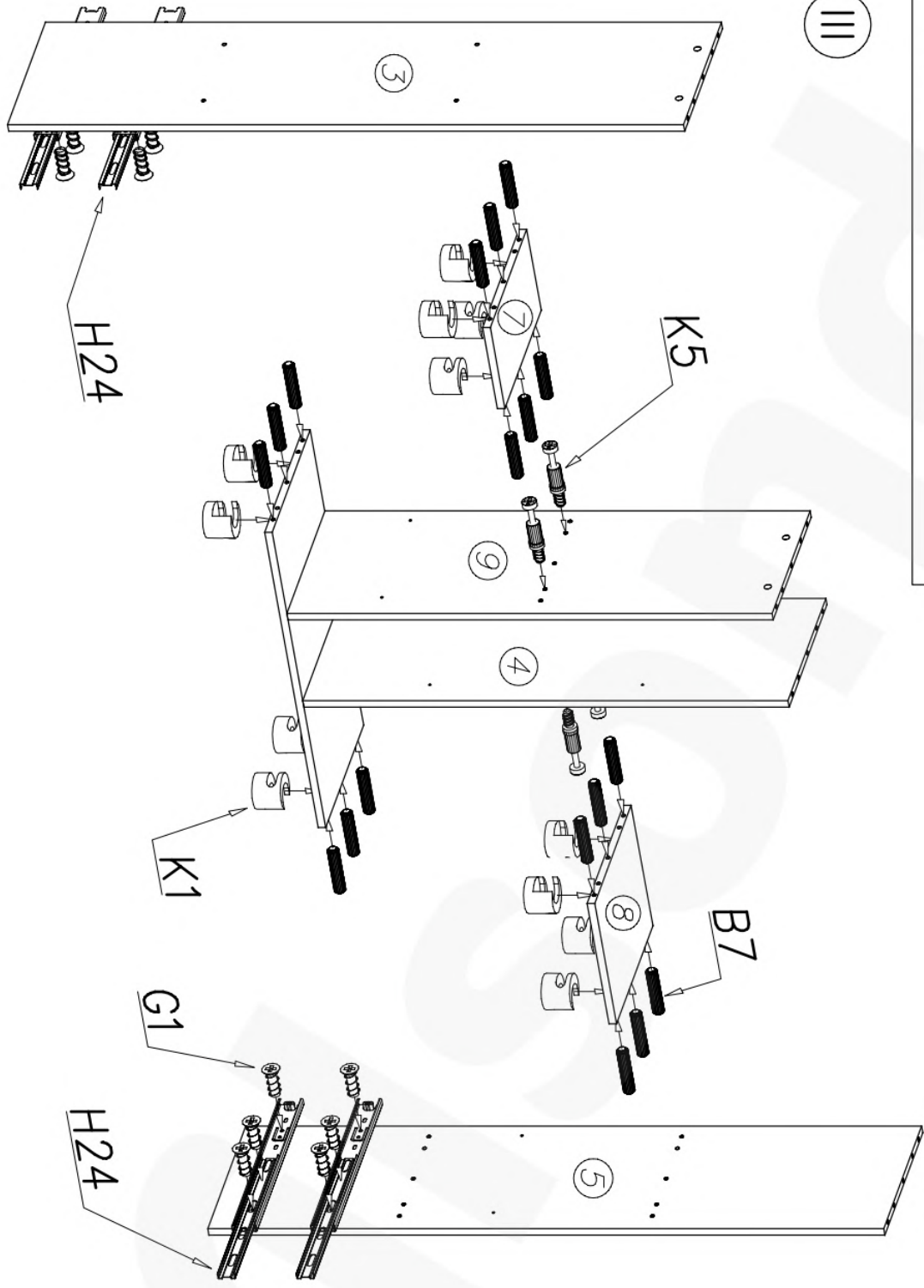


II

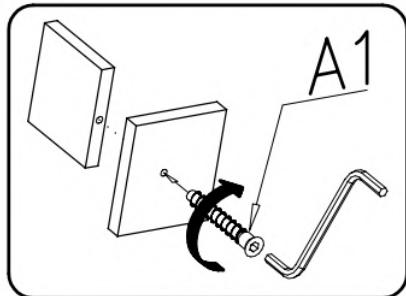
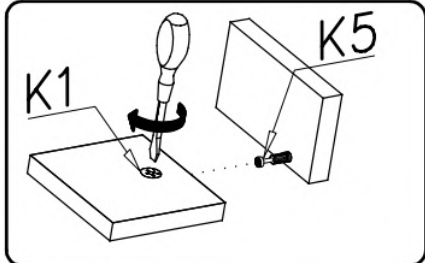
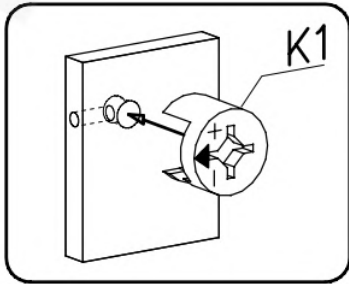
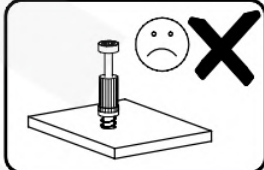
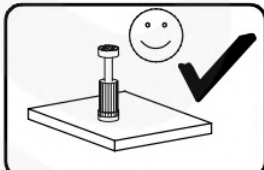
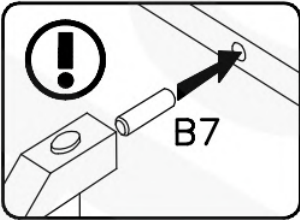
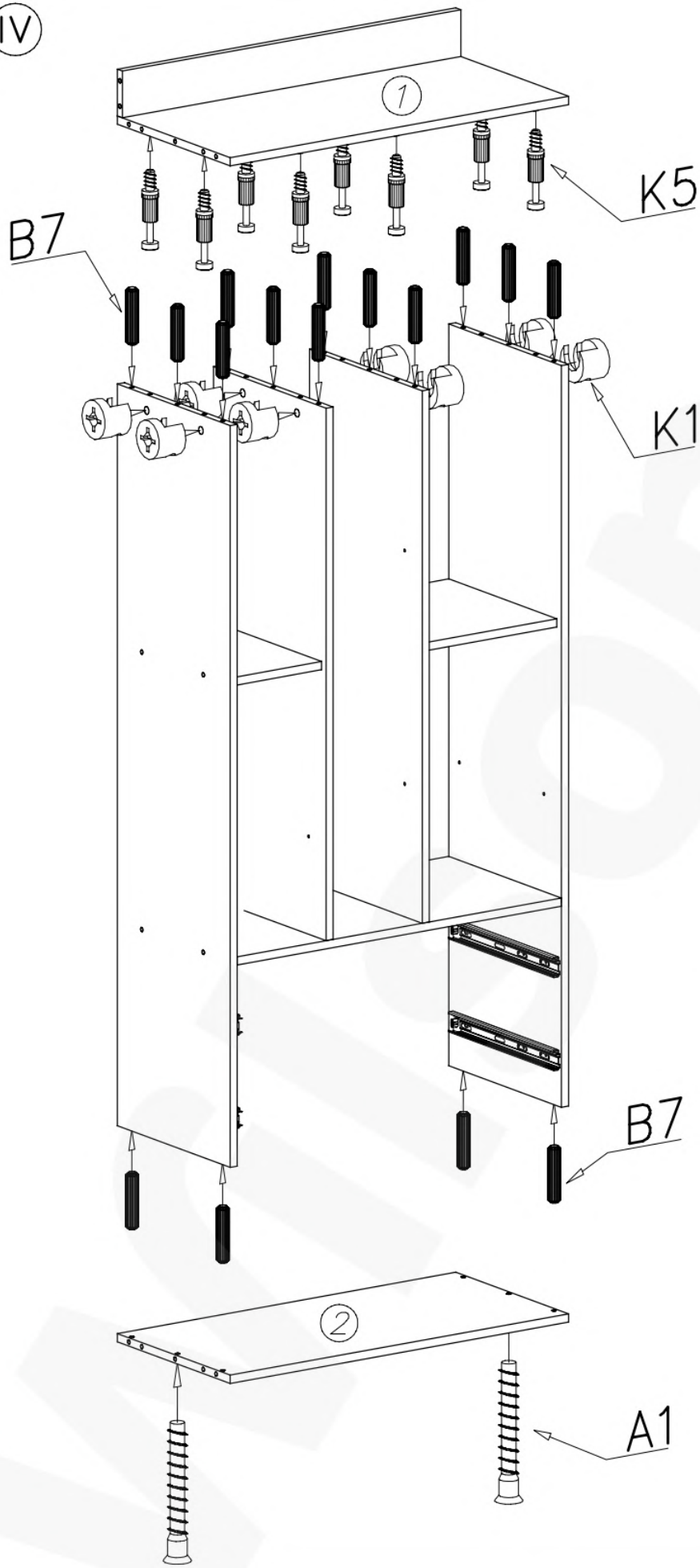




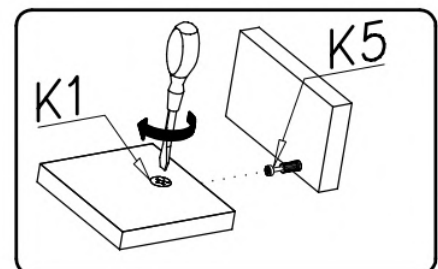
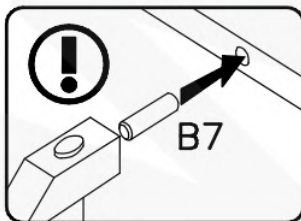
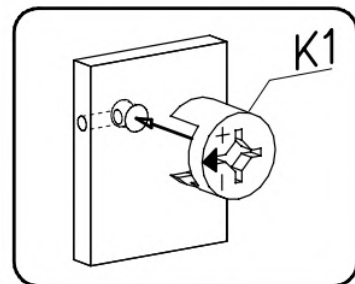
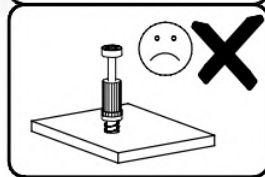
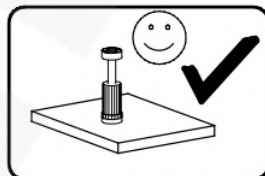
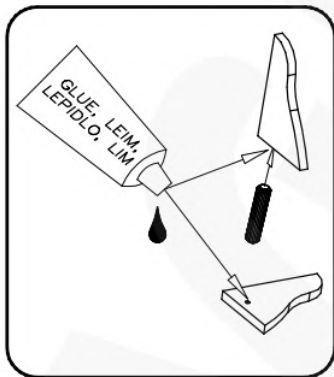
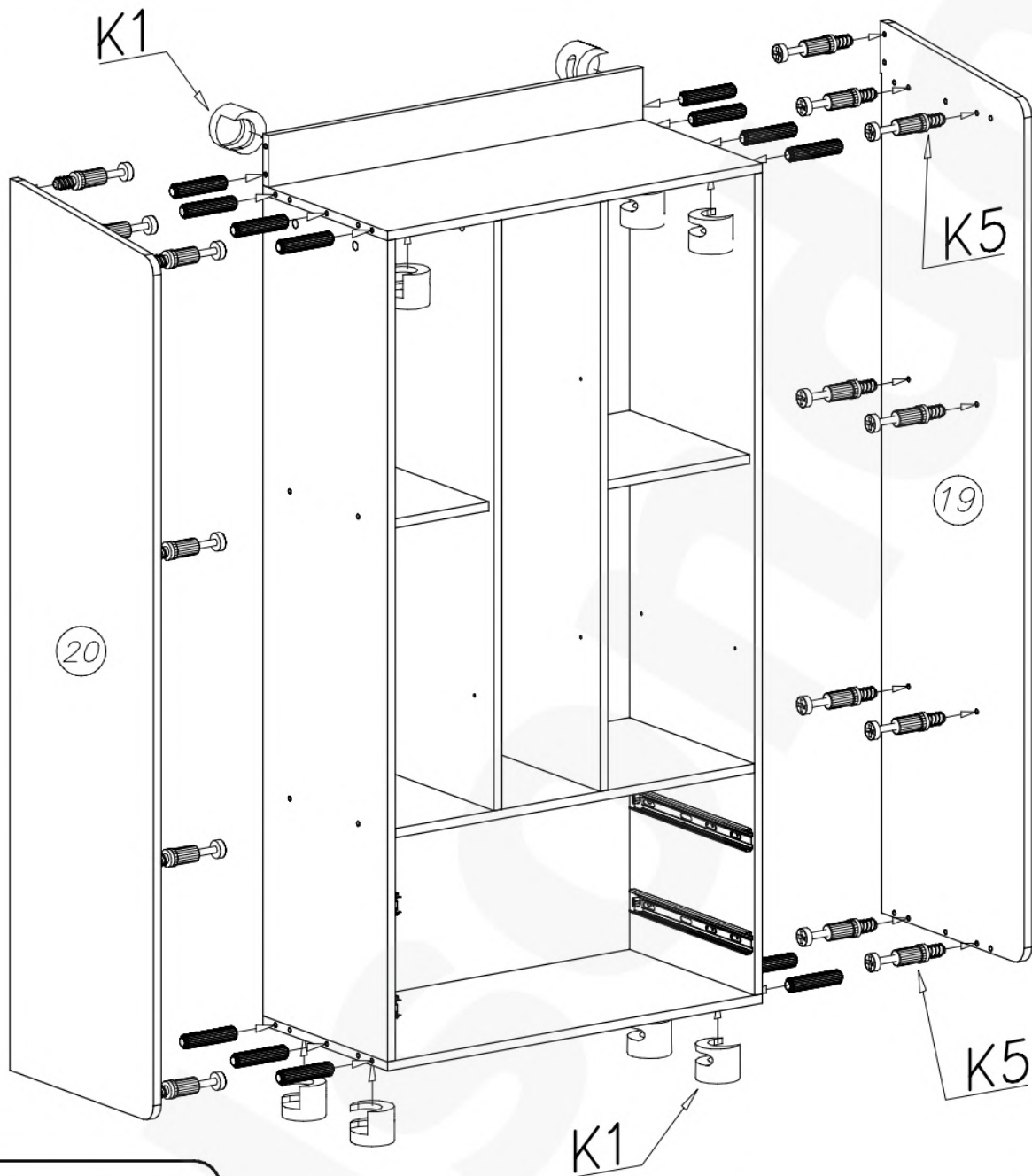
III



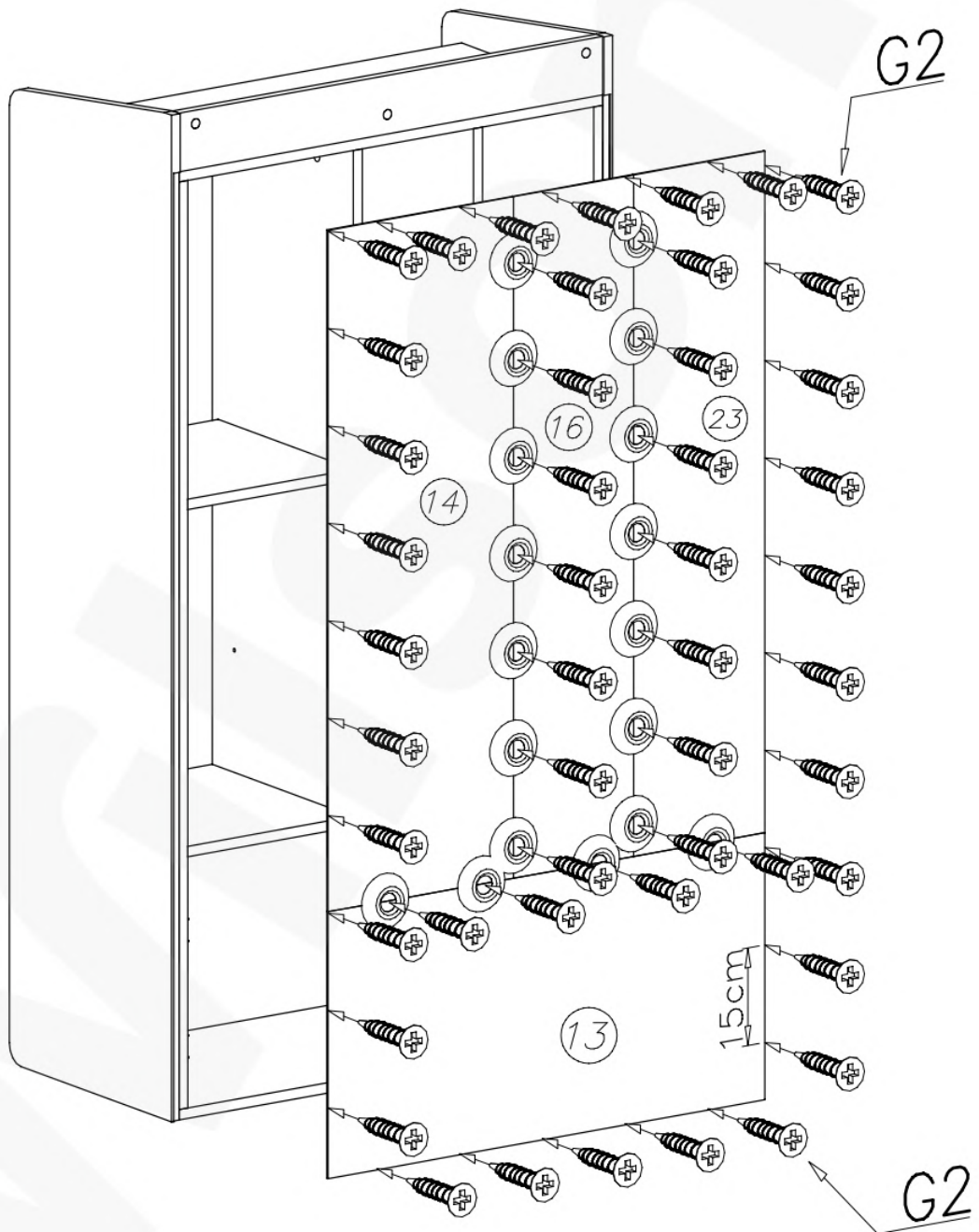
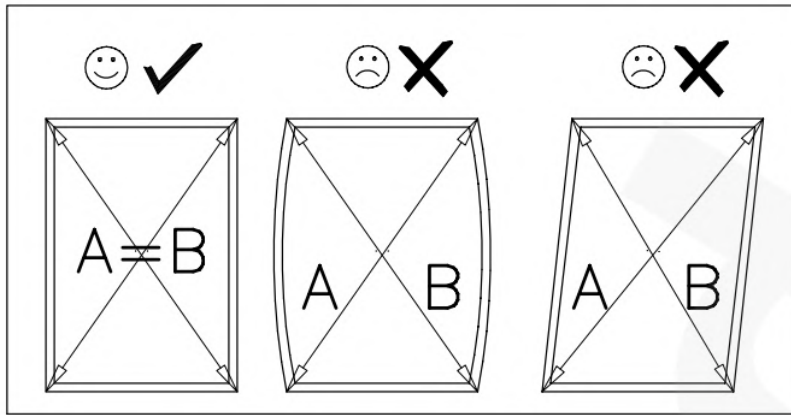
IV



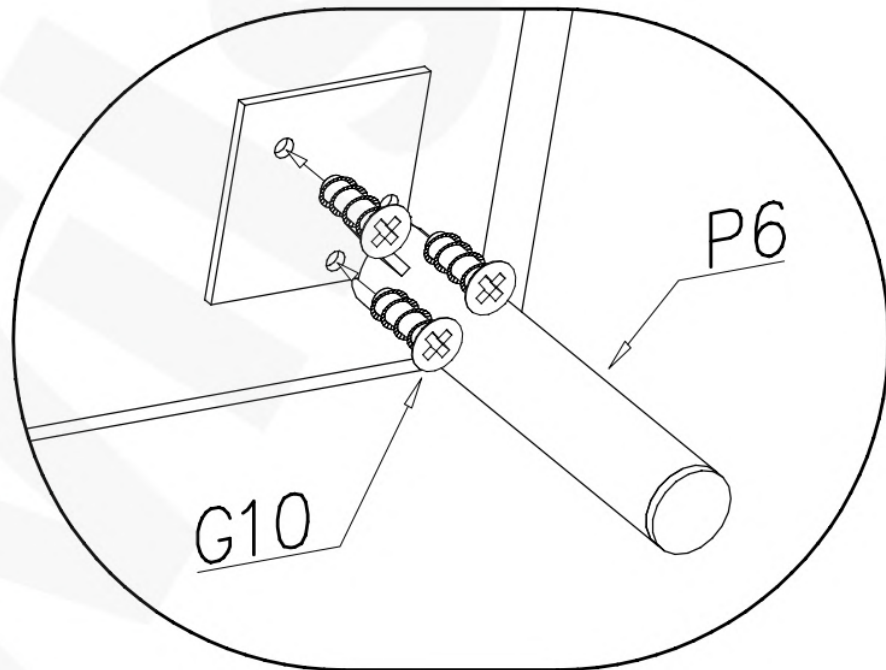
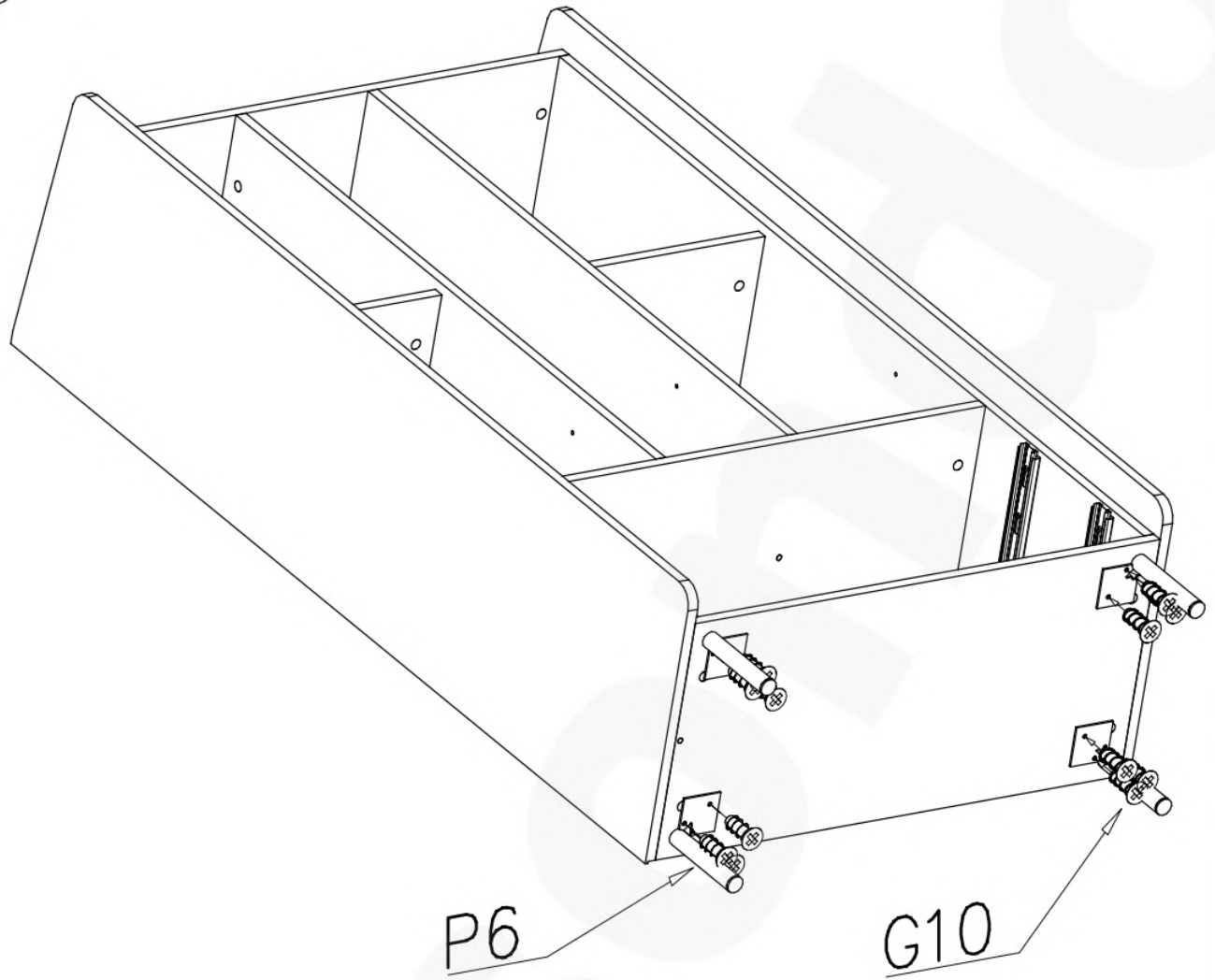
V



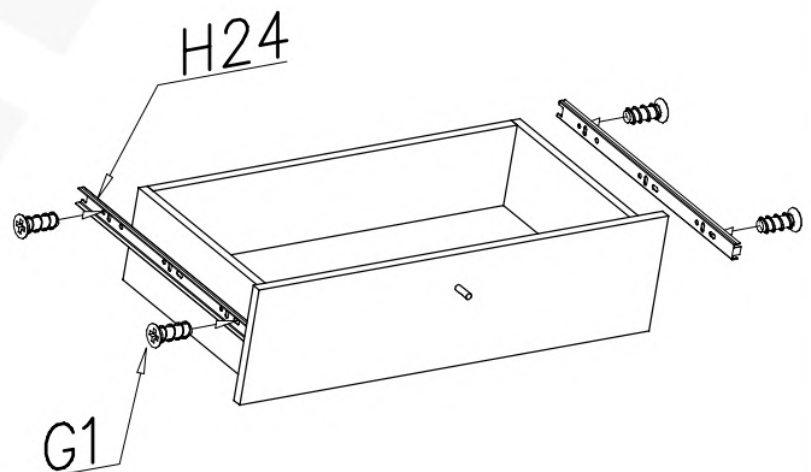
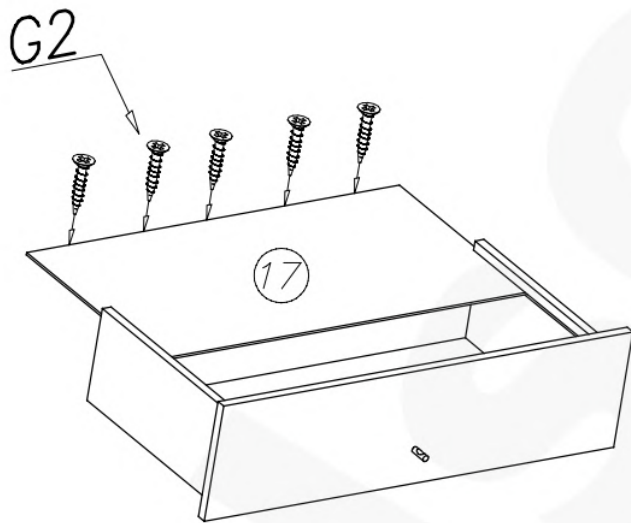
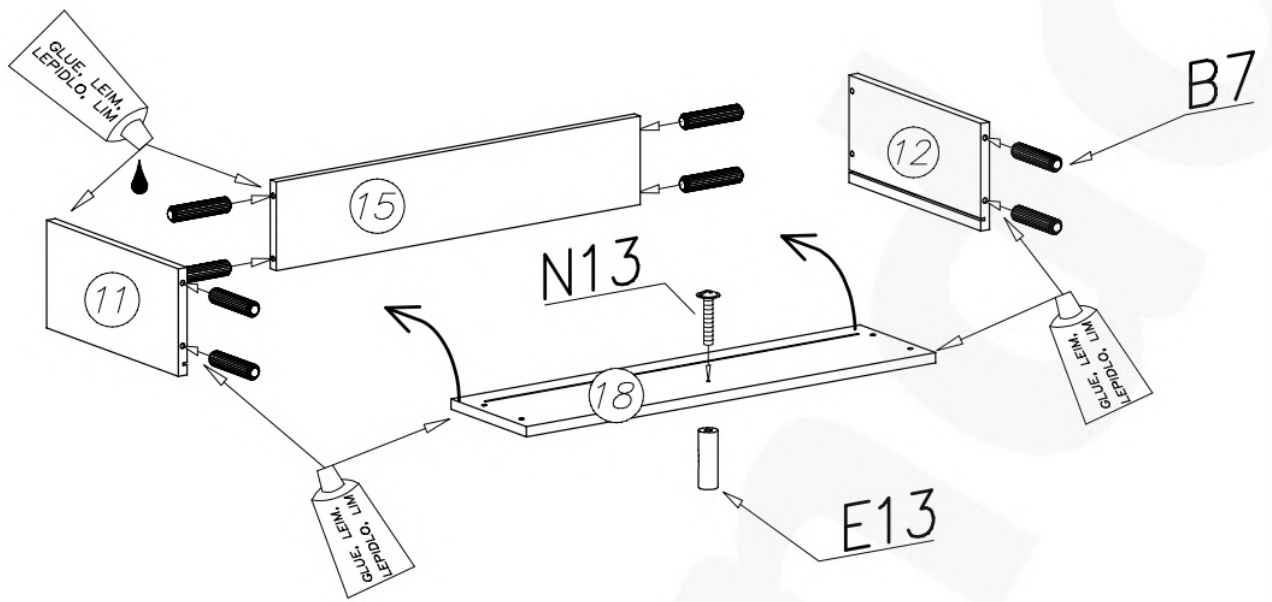
VI



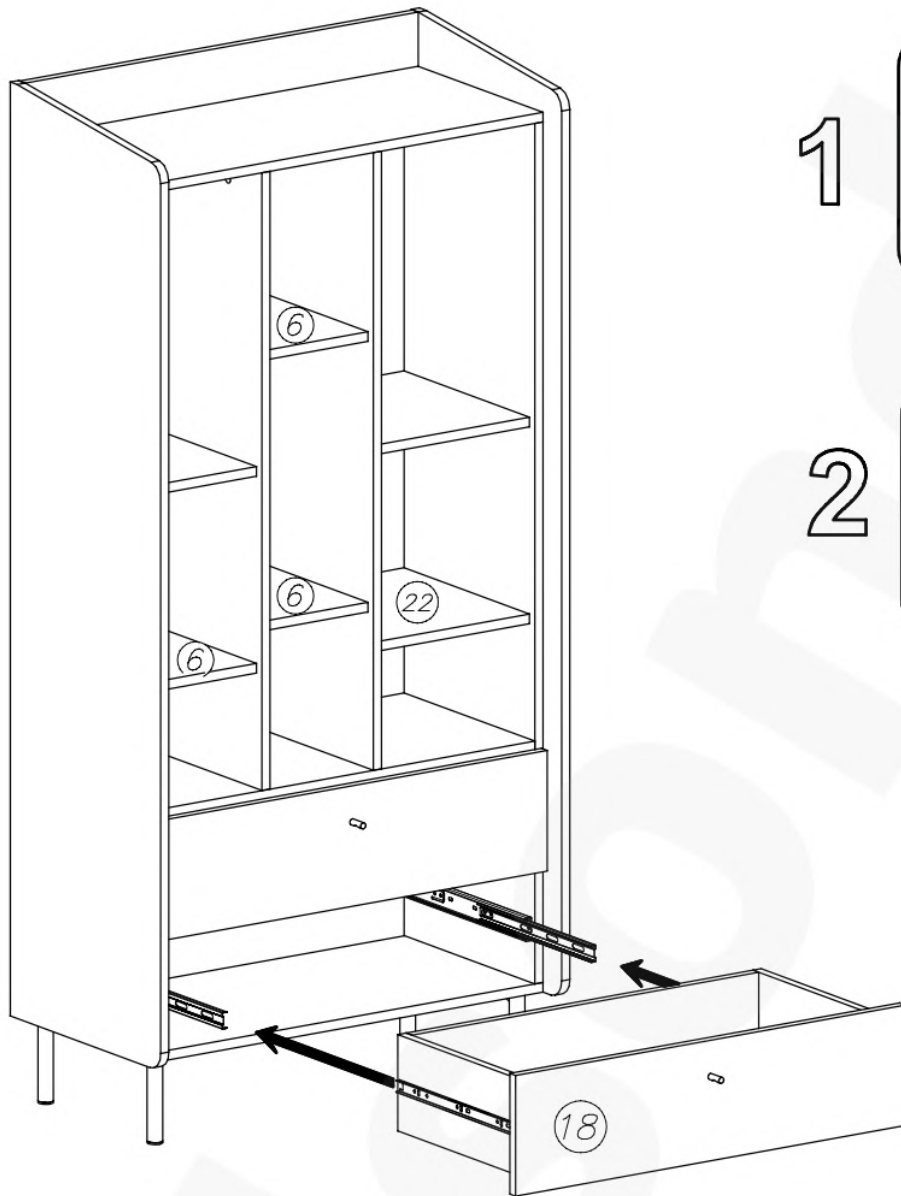
VII



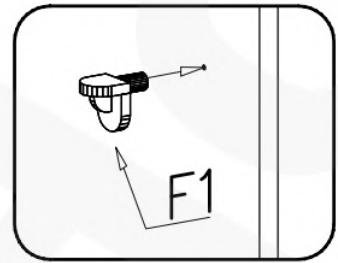
VIII



IX



1



2

