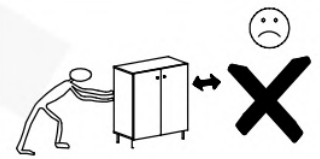
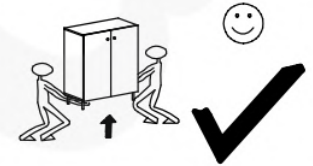
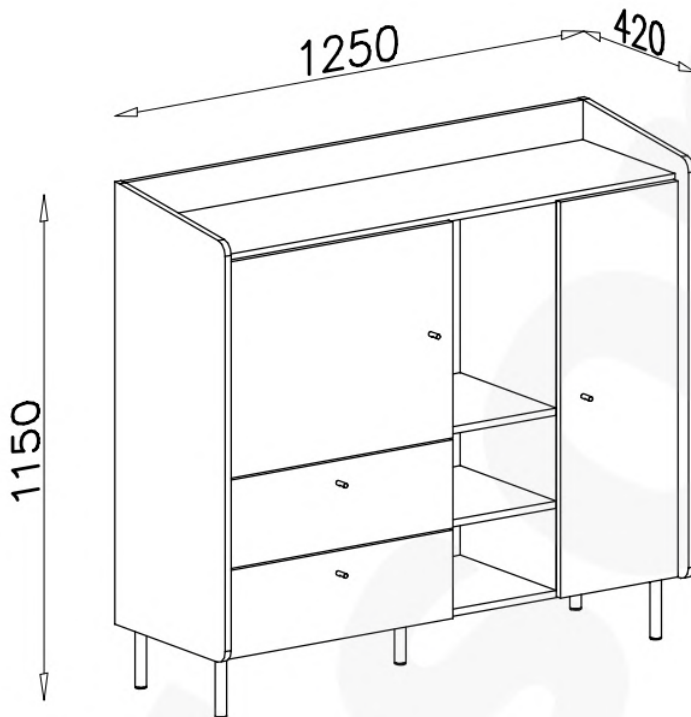
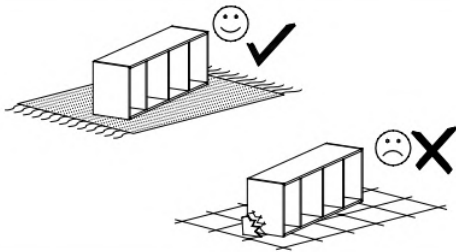
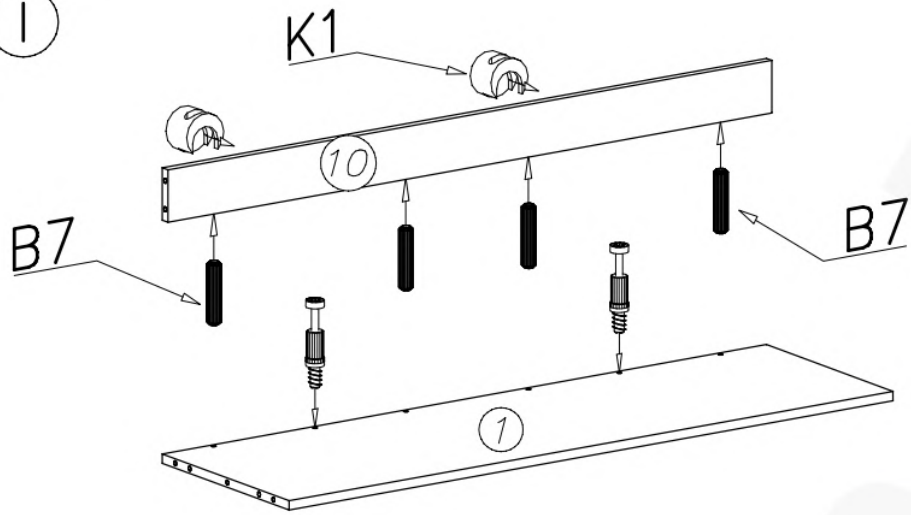


ALESSIO AE 8

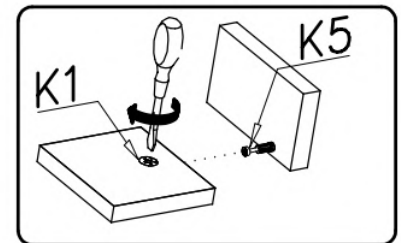
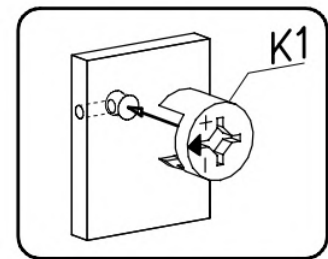
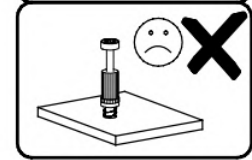
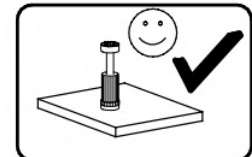
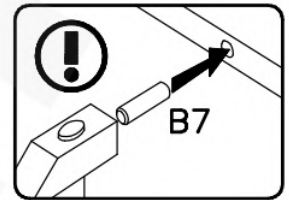
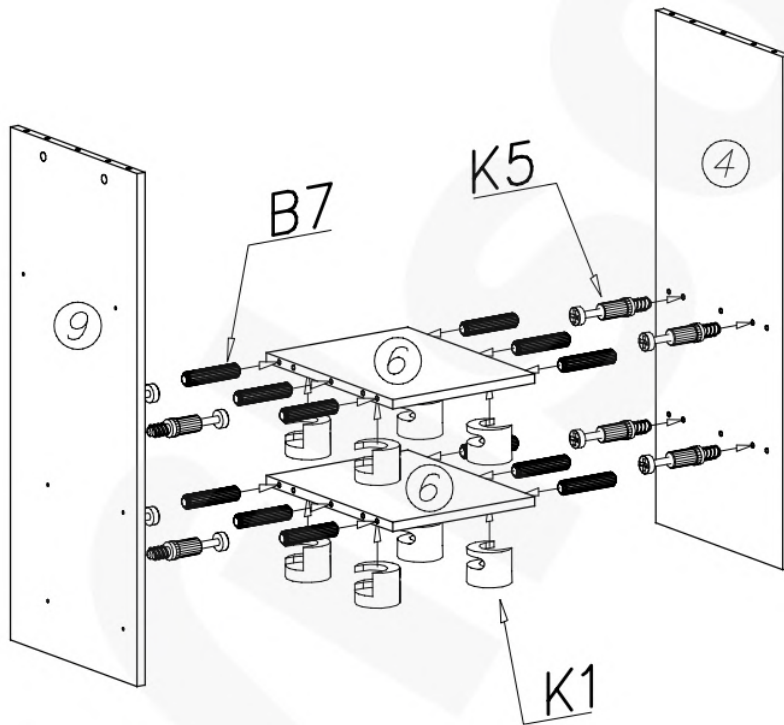


G1 4x13 x20	E13 x4	N13 M4x22 x4	H24 350mm x2	S2 x16	G10 6x13 x15
I7 ø18 x28	W1 GLUE, LEIM, LEPIDLO, LIM x3	D4 PZ350D x5	P6 x5		
W2 x1	G4 4x16 x10	G2 3x20 x55	C4 Z350D x5		
A1 ø7x50 x2	B7 ø8x30 x62	K5 x28	K1 ø15x12 x28	F1 x12	

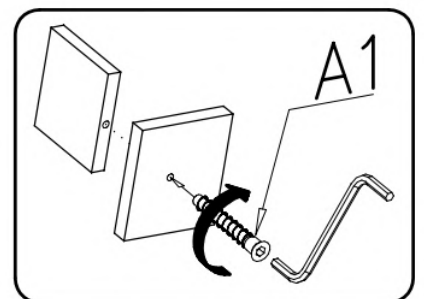
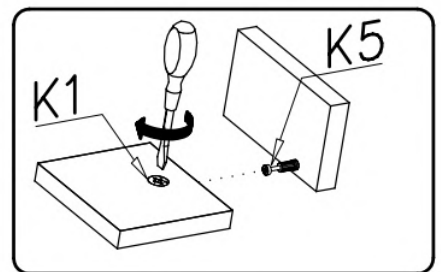
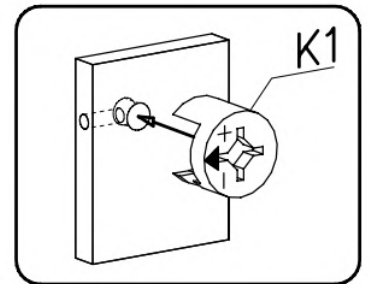
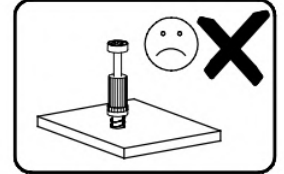
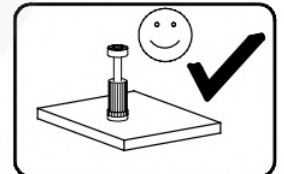
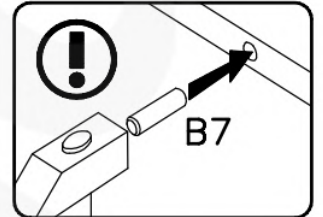
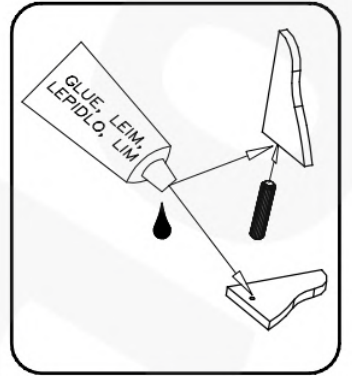
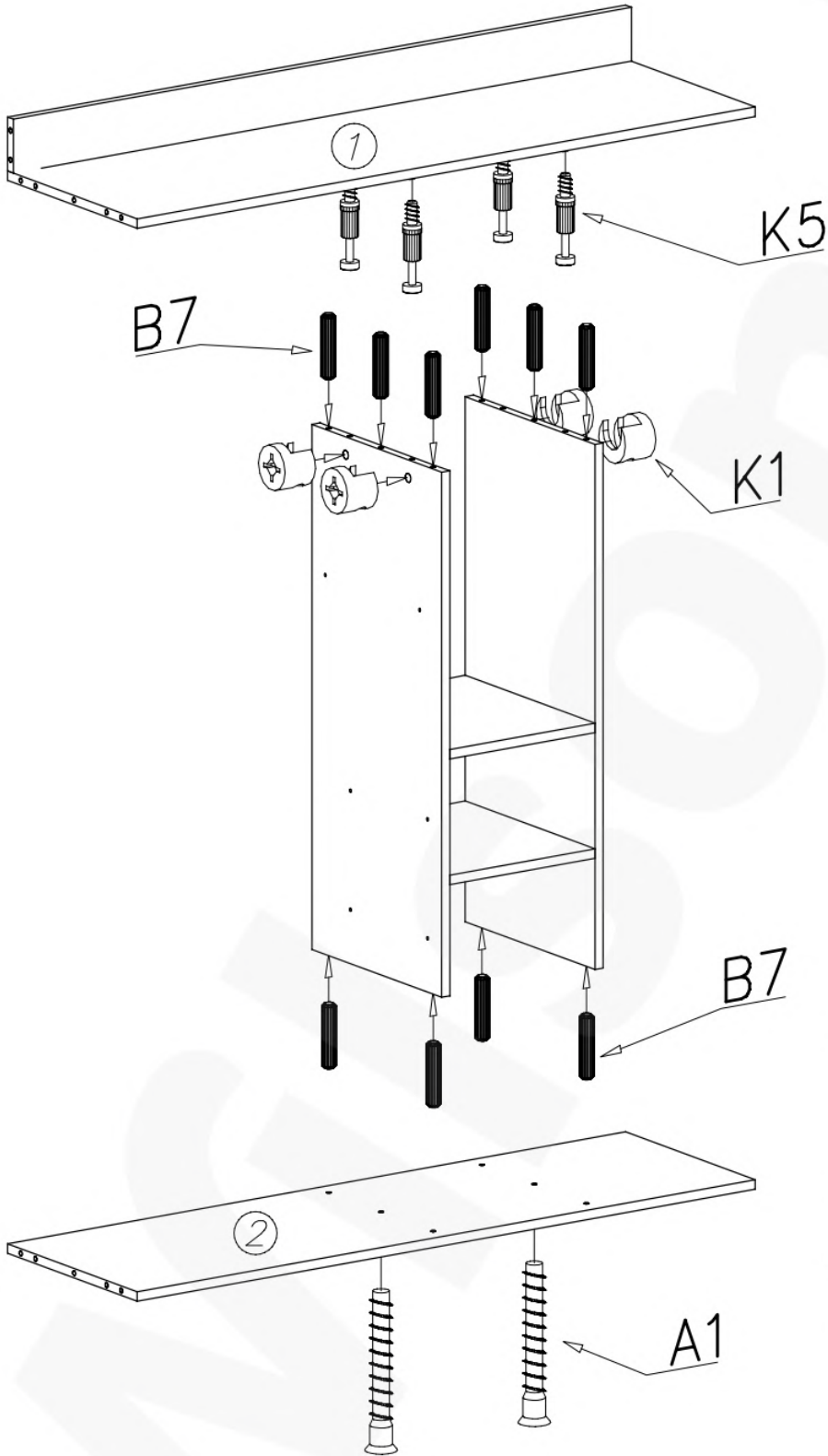
I

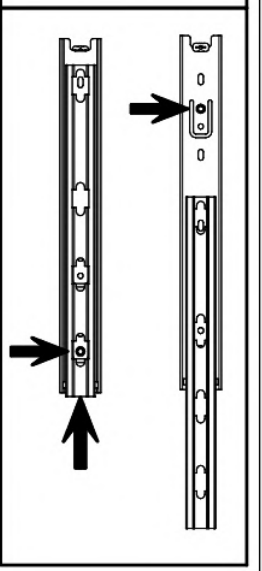
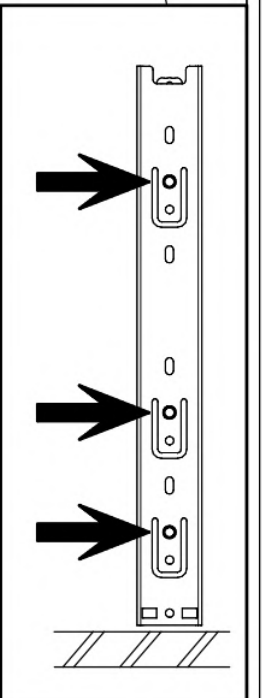
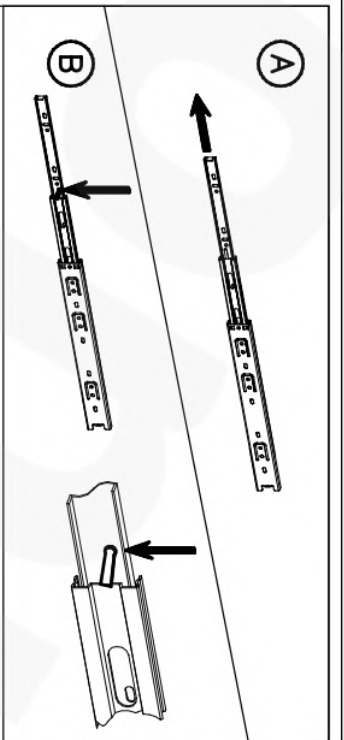


II

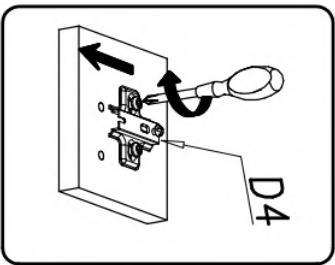
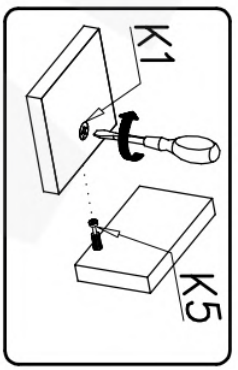
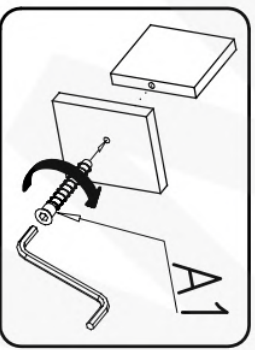
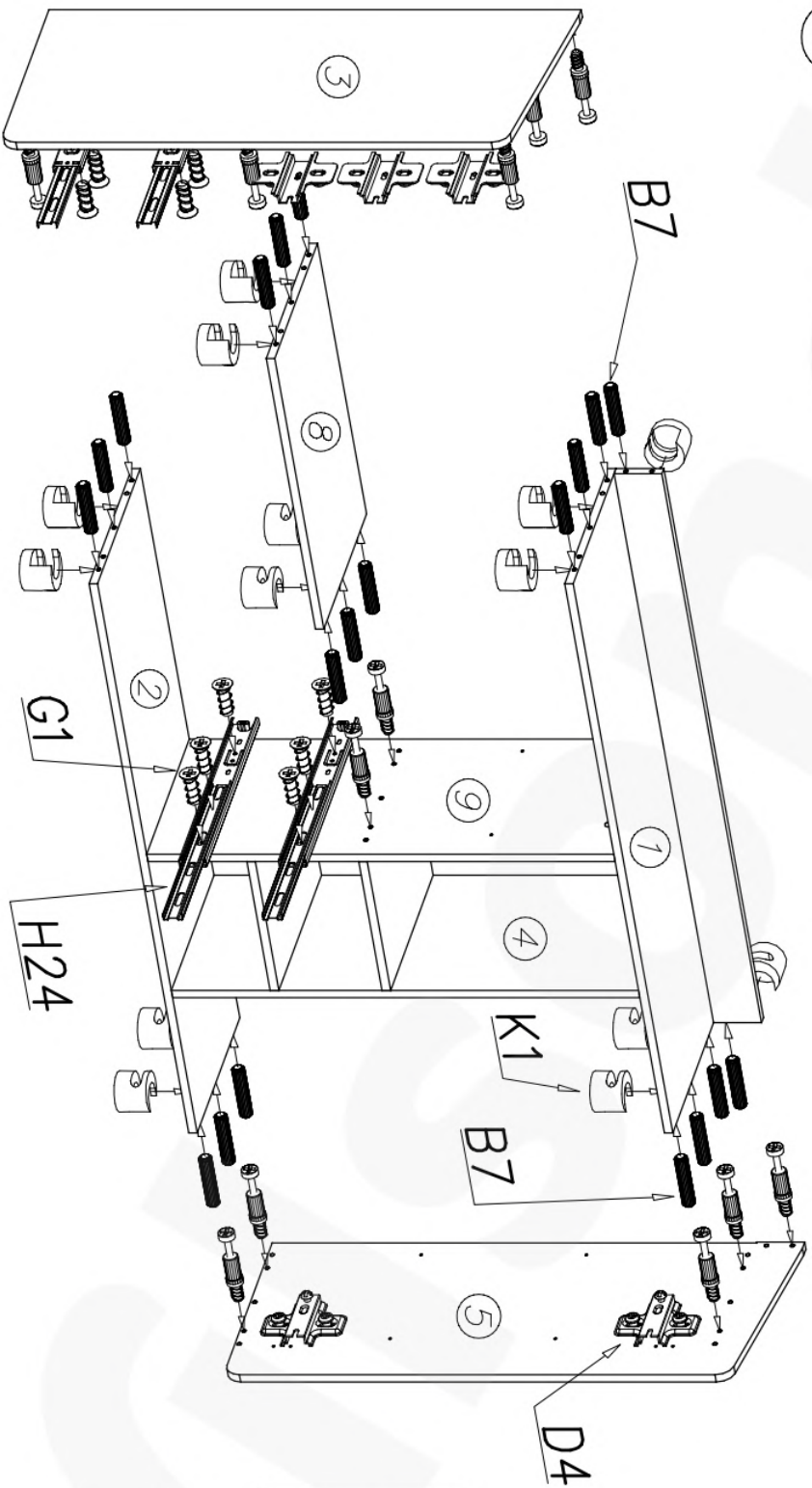


III

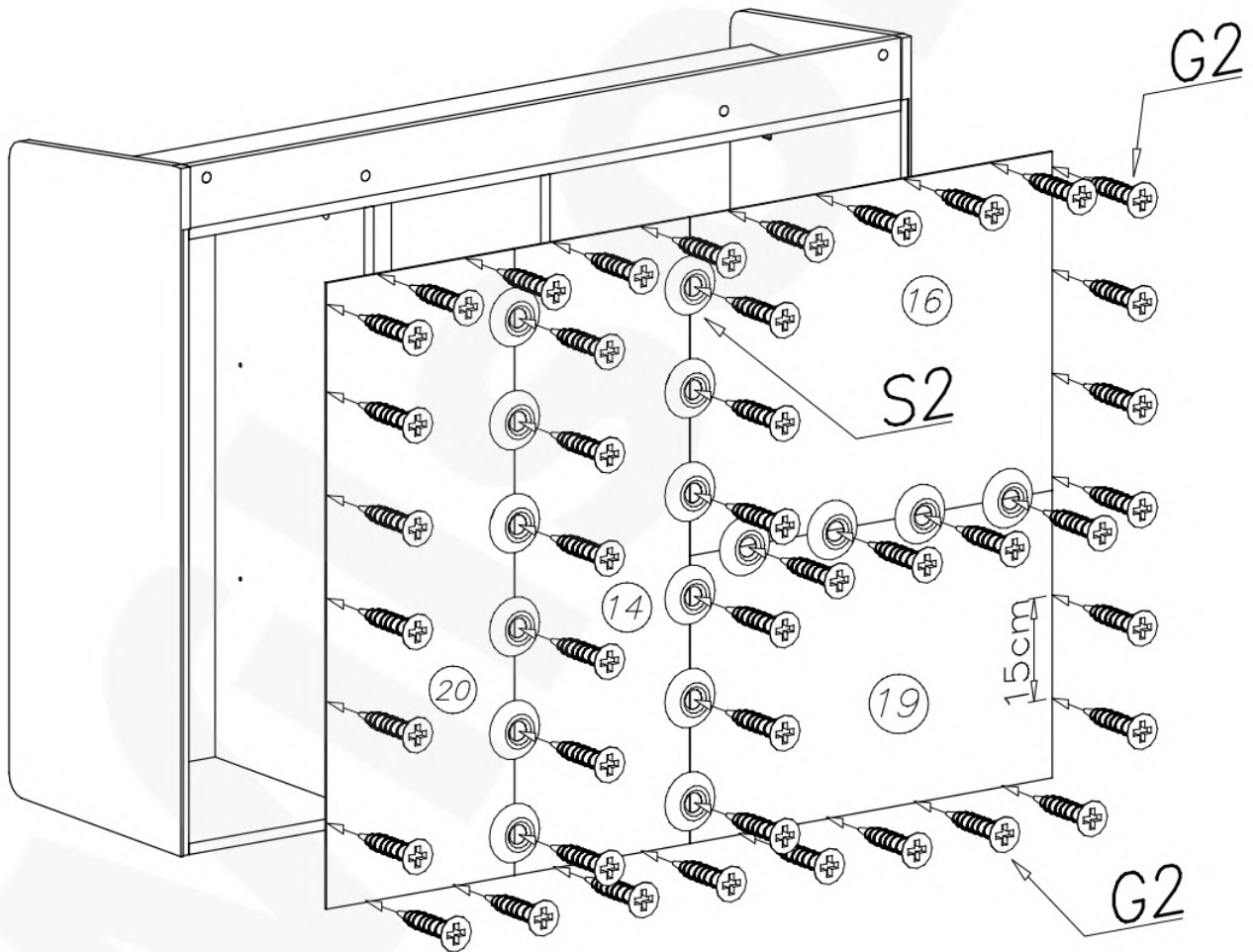
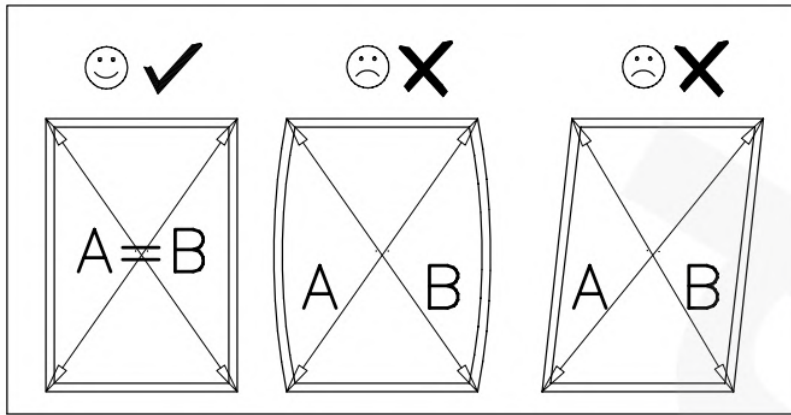




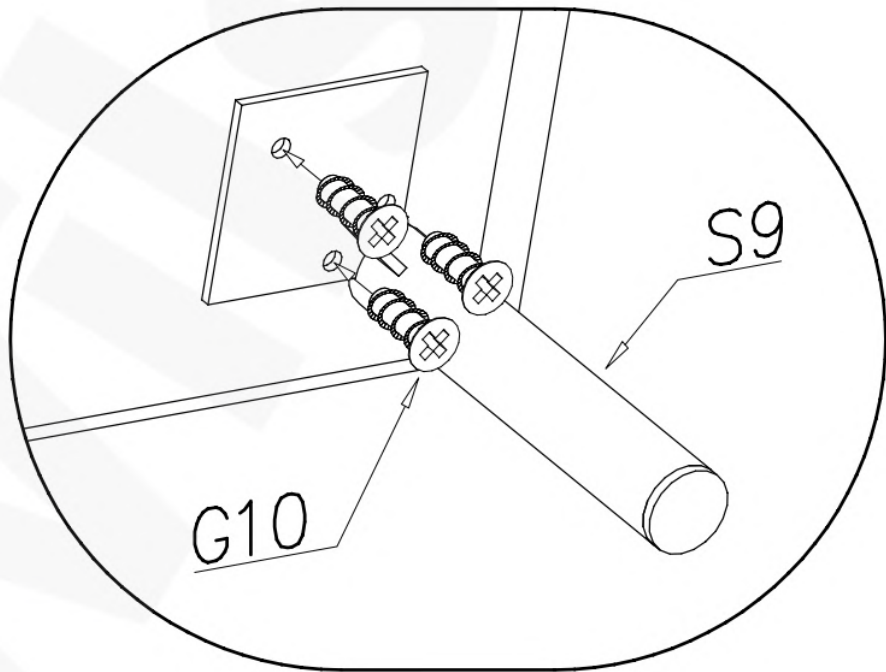
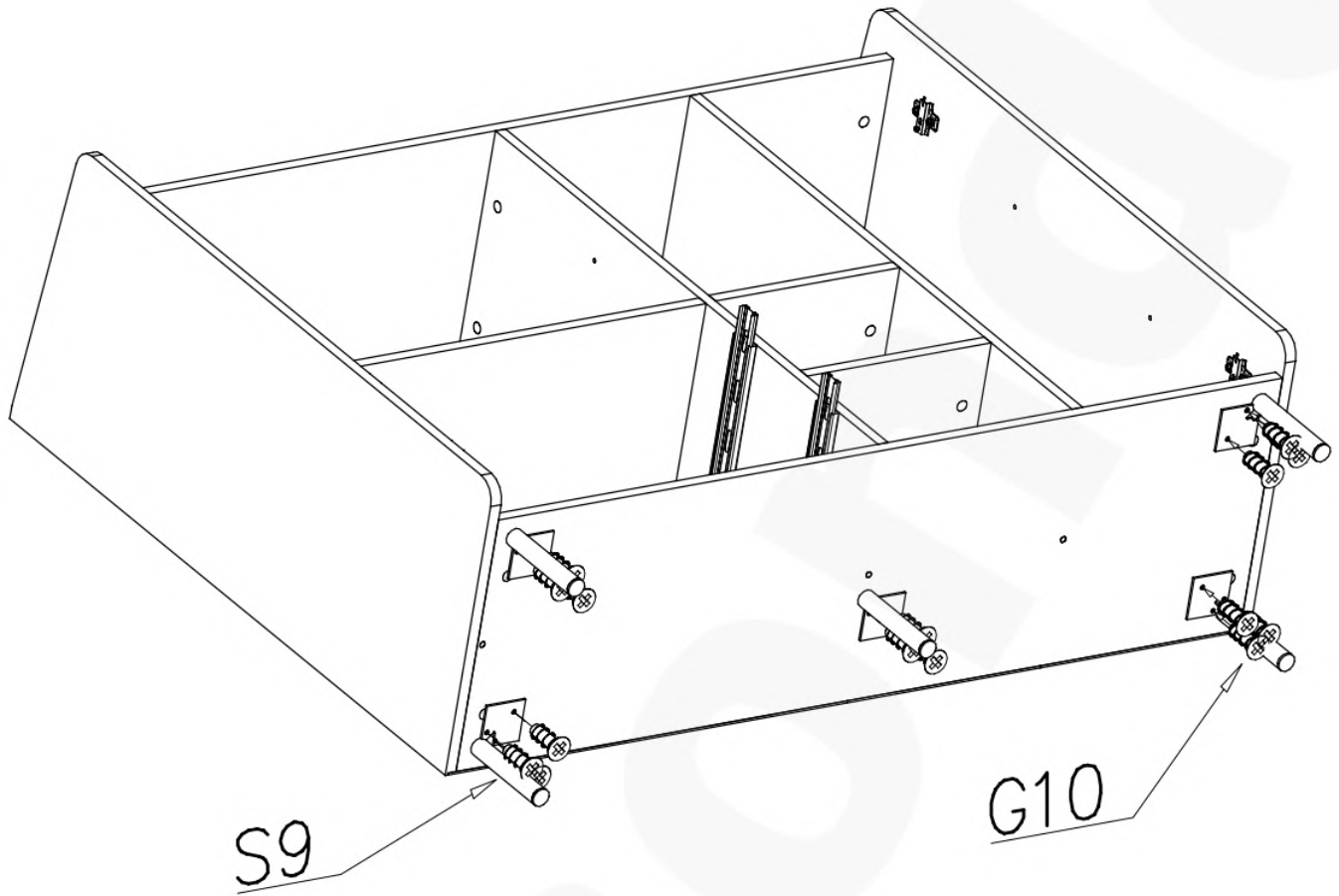
IV



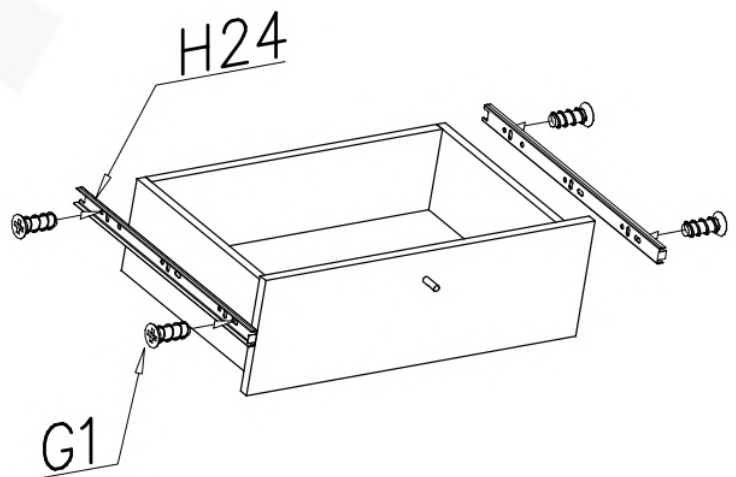
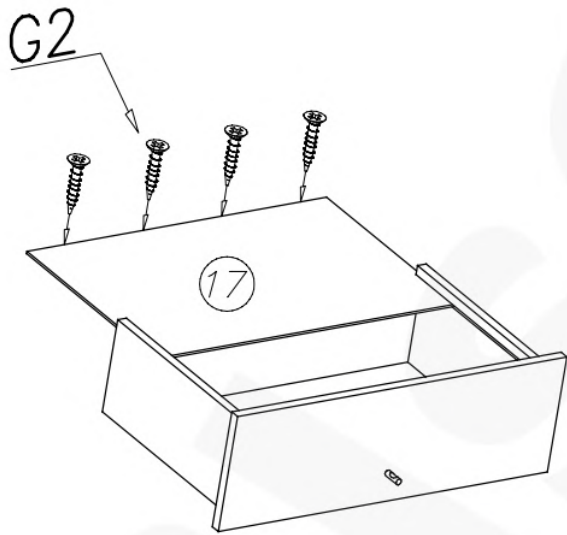
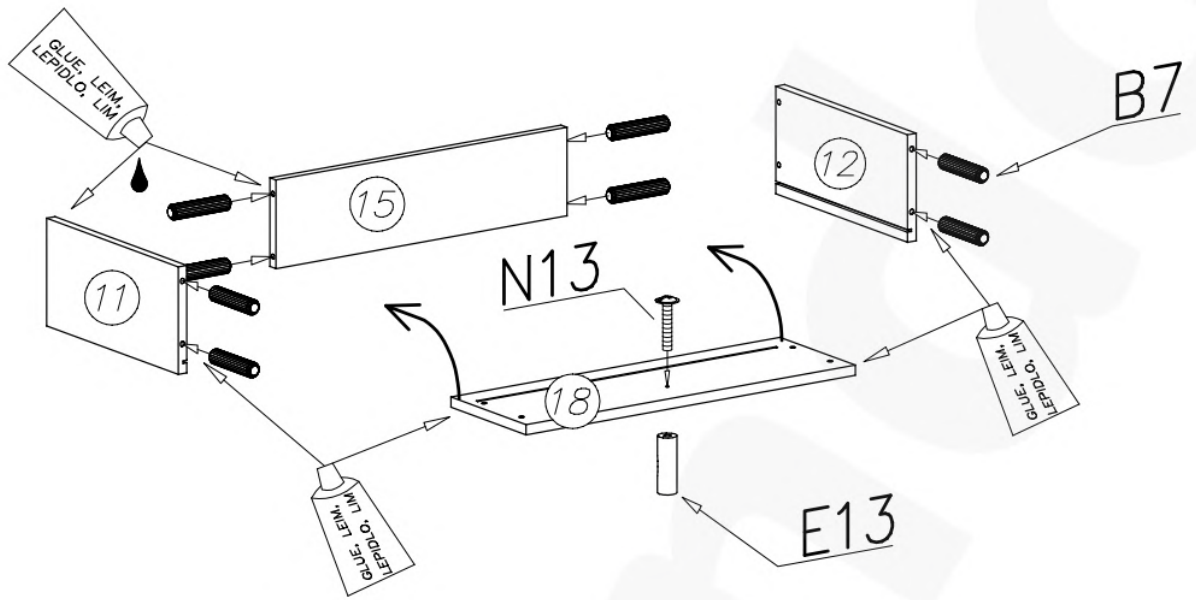
V



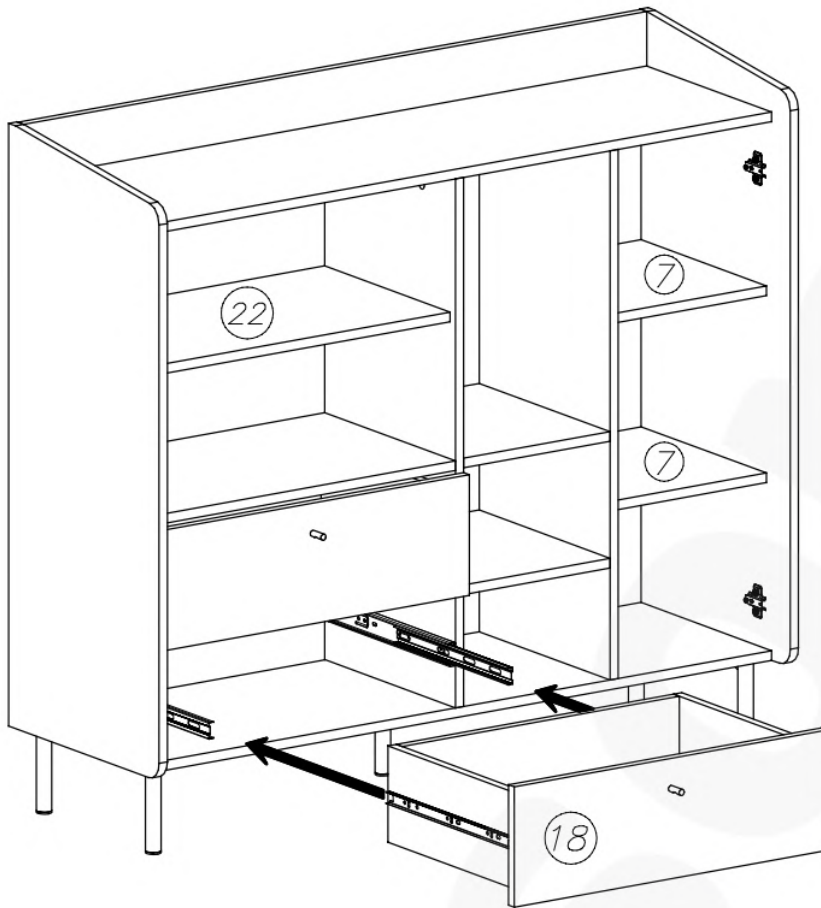
VI



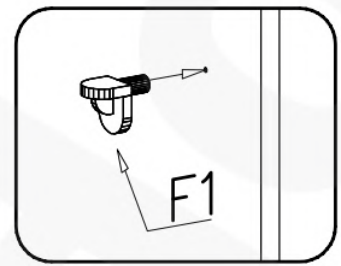
VII



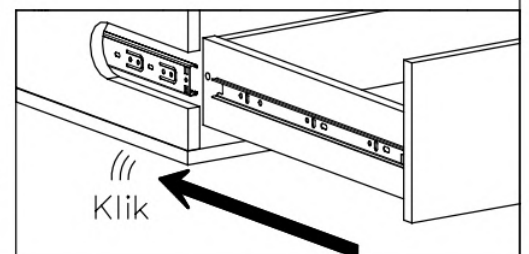
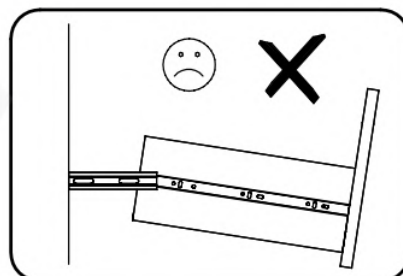
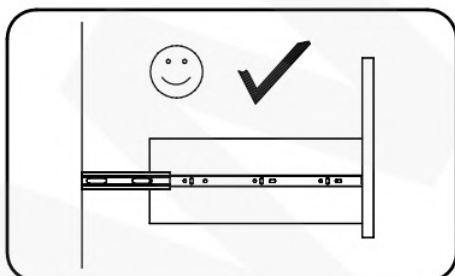
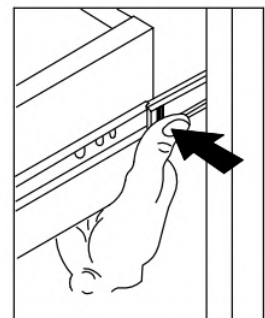
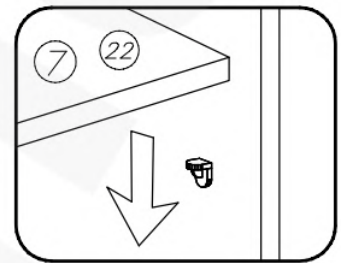
VIII



1



2



IX

