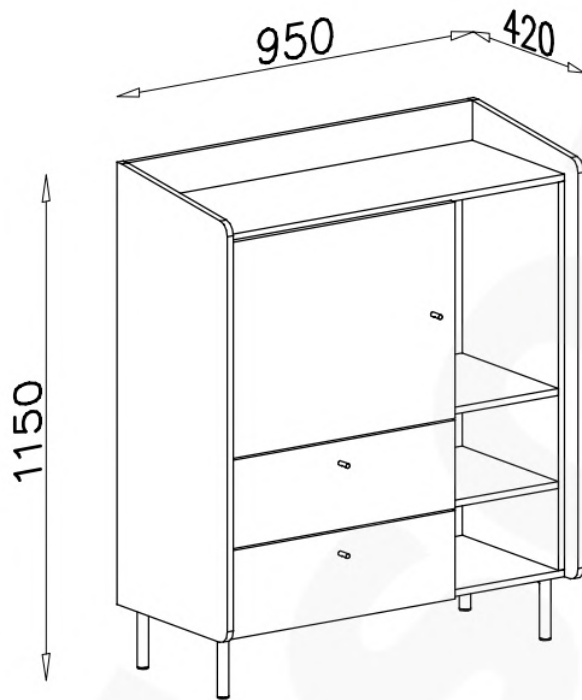
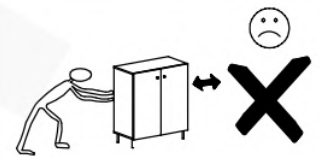
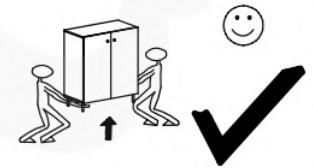
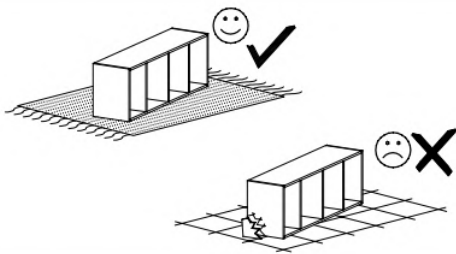
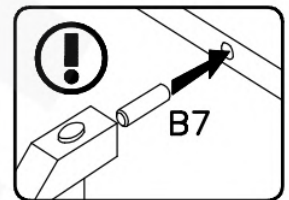
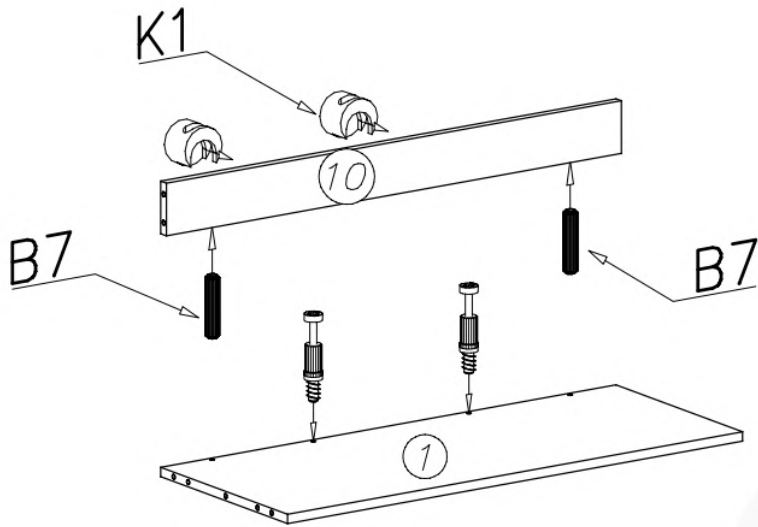


ALESSIO AE 9

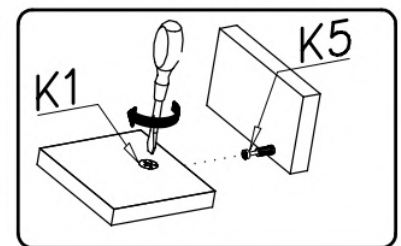
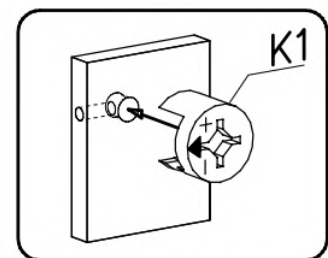
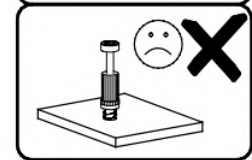
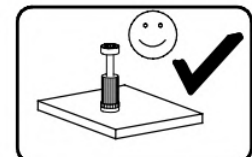
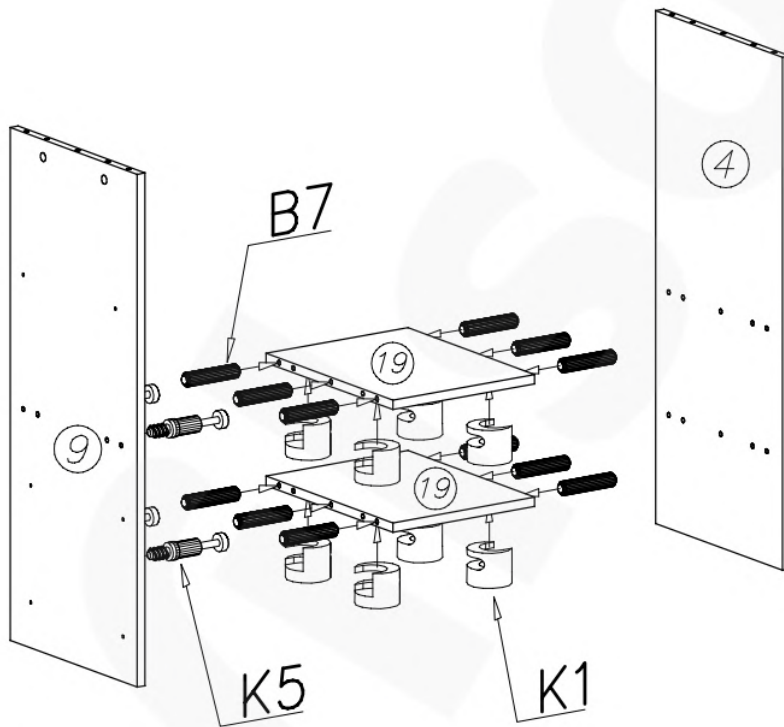


G1 4x13 x20	E13 x3	N13 M4x22 x3	H24 350mm x2	S2 x10	G10 6x13 x12
I7 ø18 x26	W1 GLUE, LEIM, LEPIDLO, LIM x3	D4 PZ35 x3	P6 x4		
W2 x1	G4 4x16 x6	G2 3x20 x45	C4 Z350D x3		
A1 ø7x50 x2	B7 ø8x30 x60	K5 x28	K1 ø15x12 x28	F1 x4	

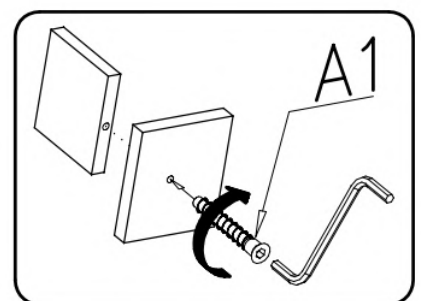
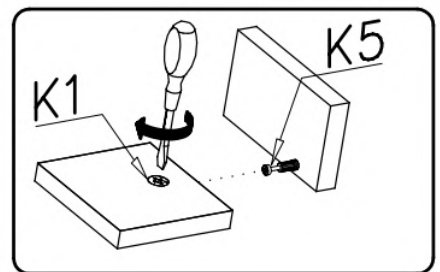
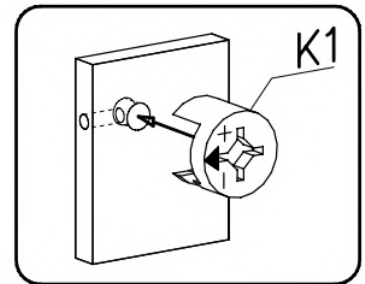
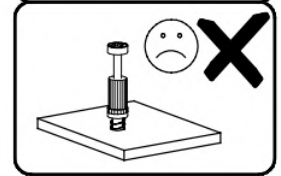
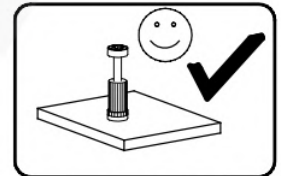
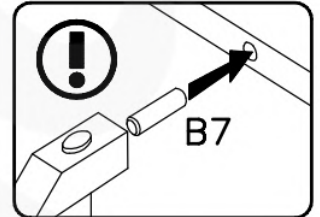
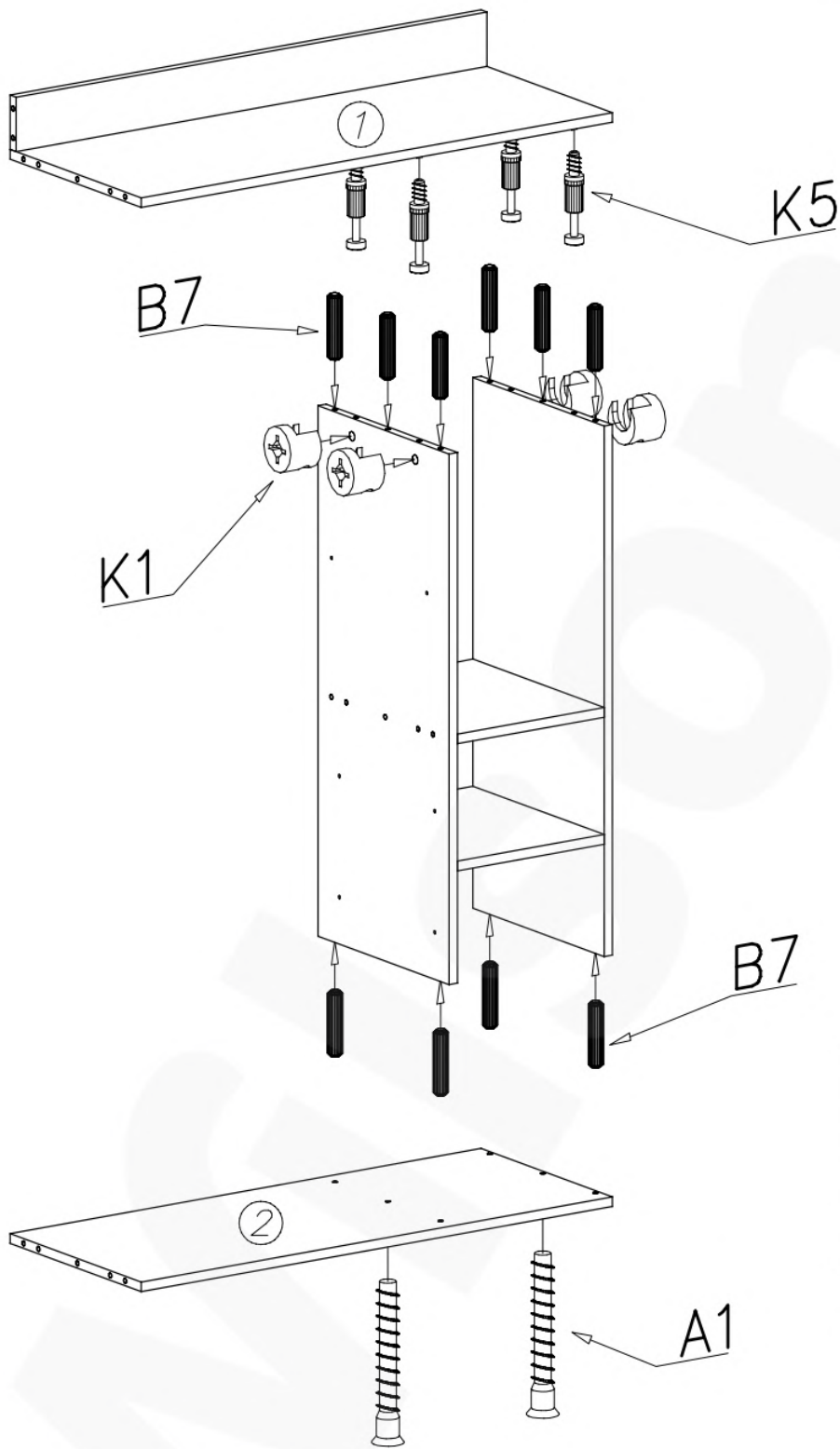
I

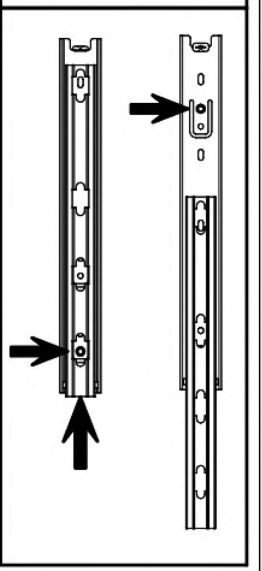
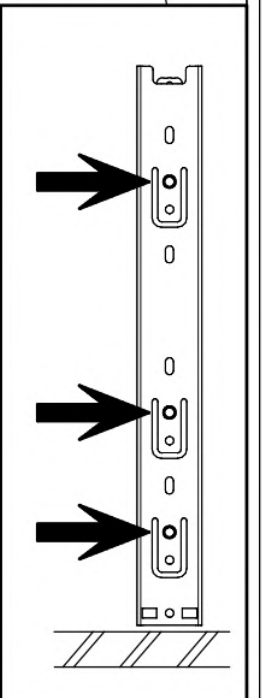
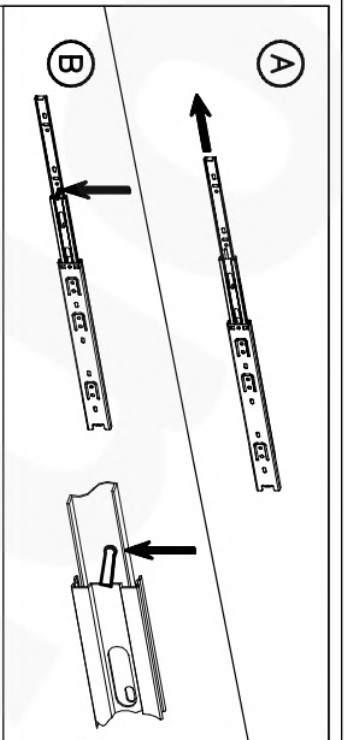


II

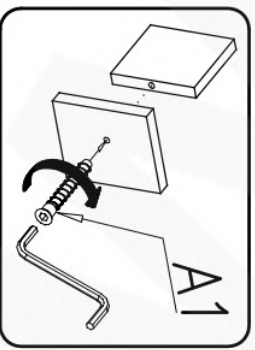
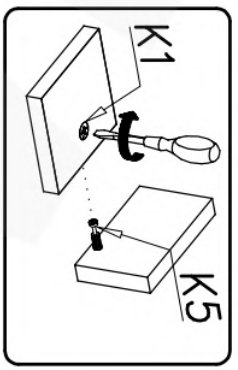
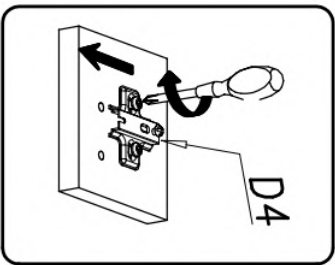
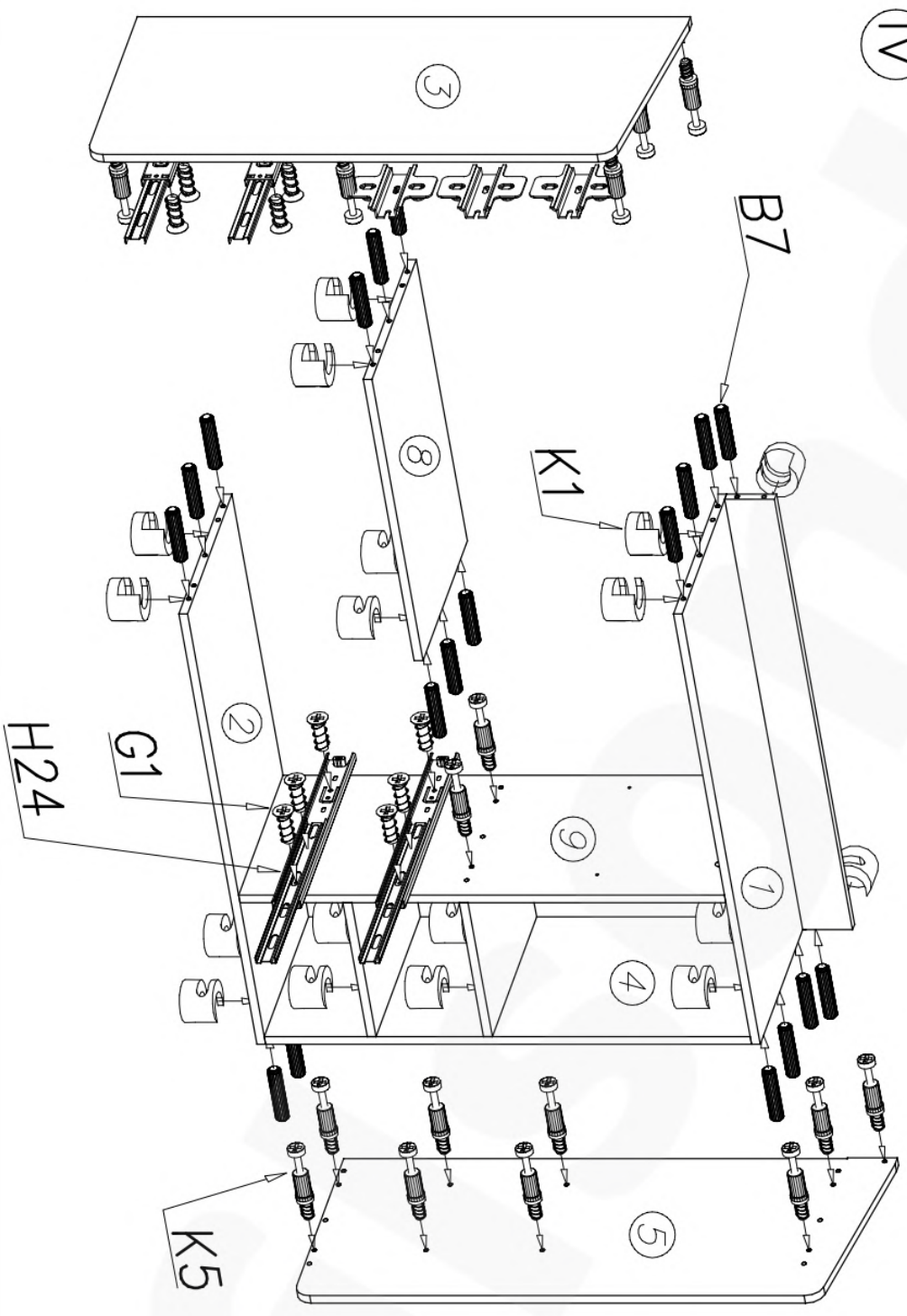


III

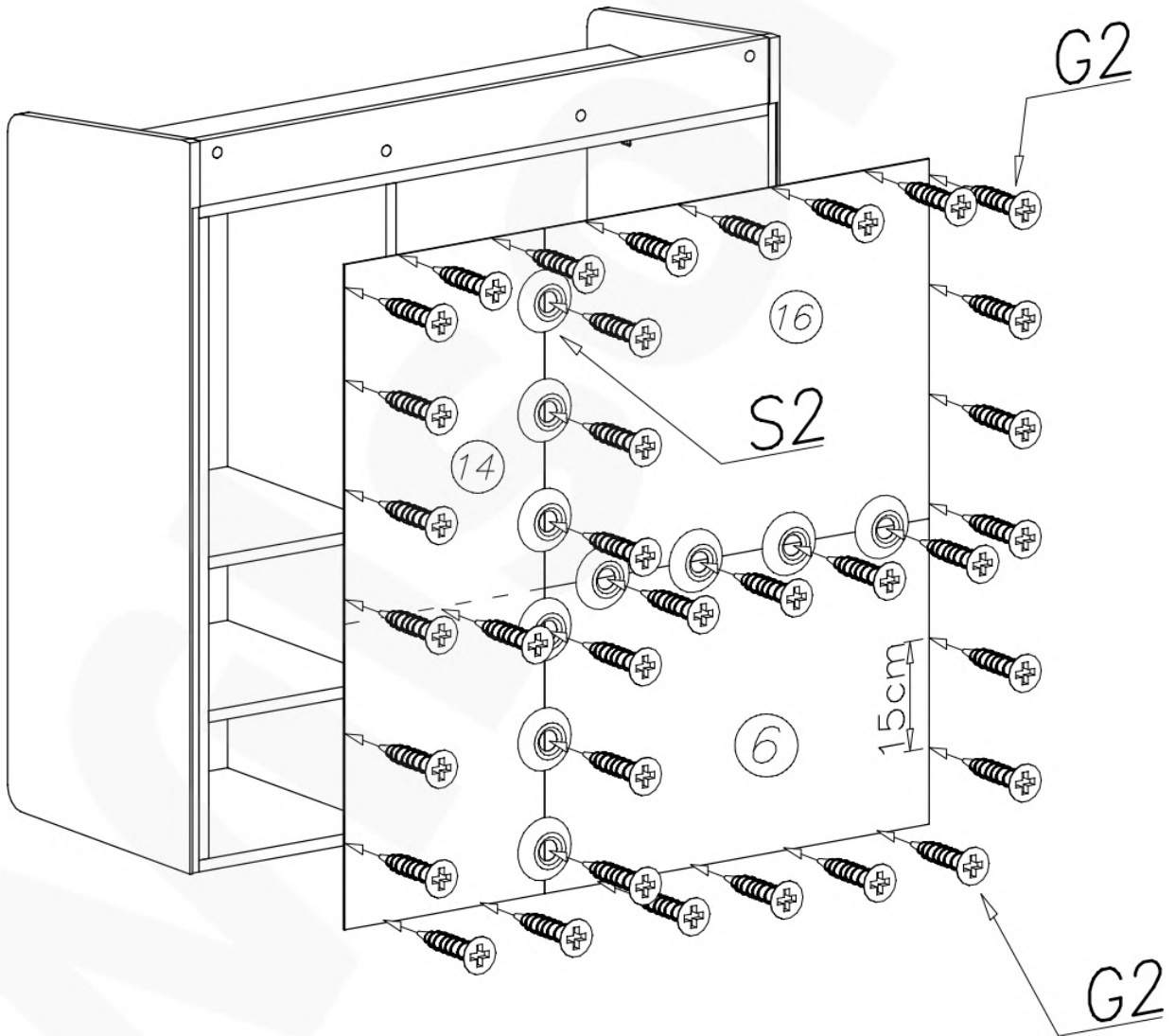
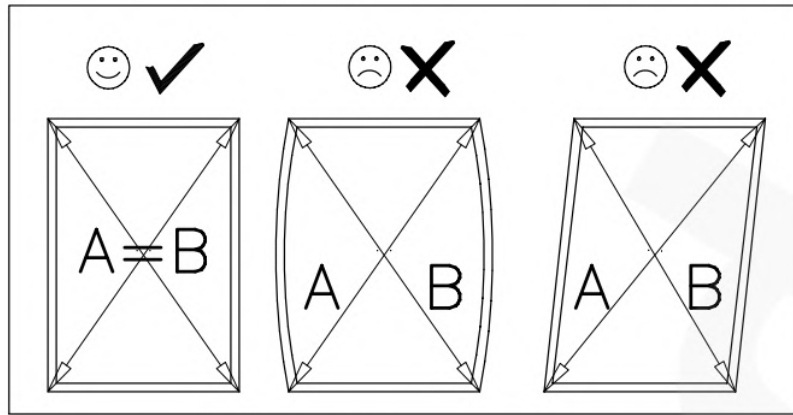




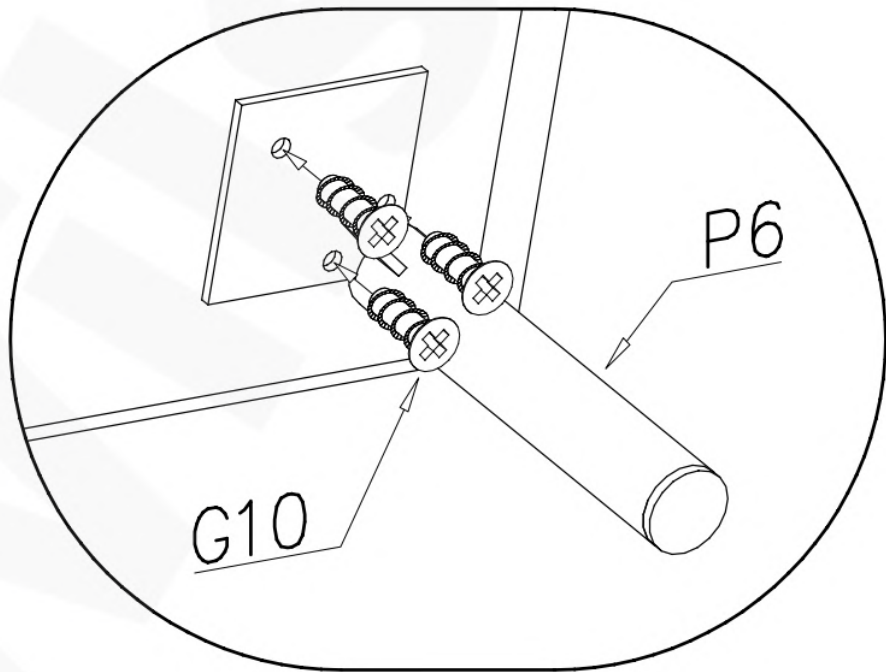
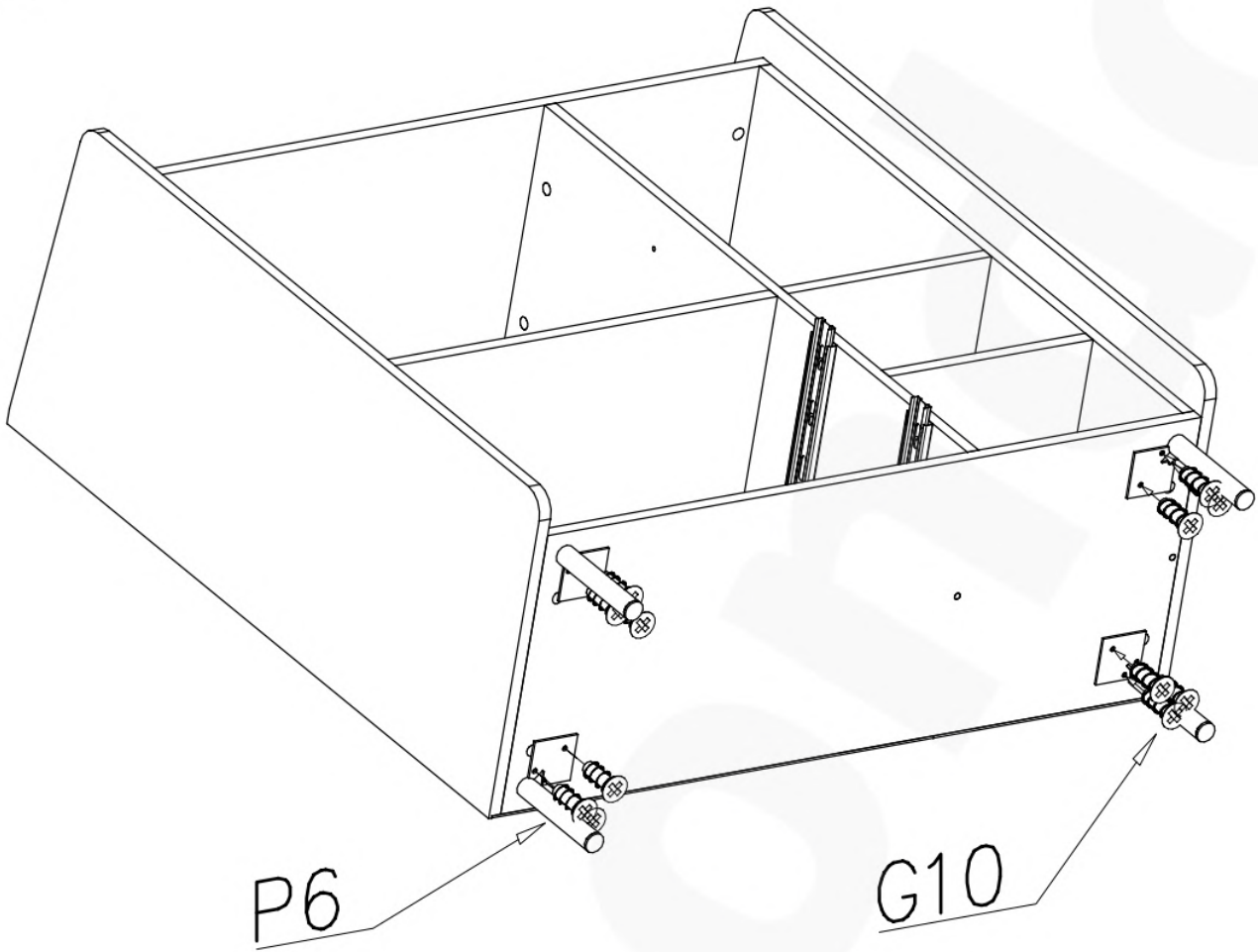
IV



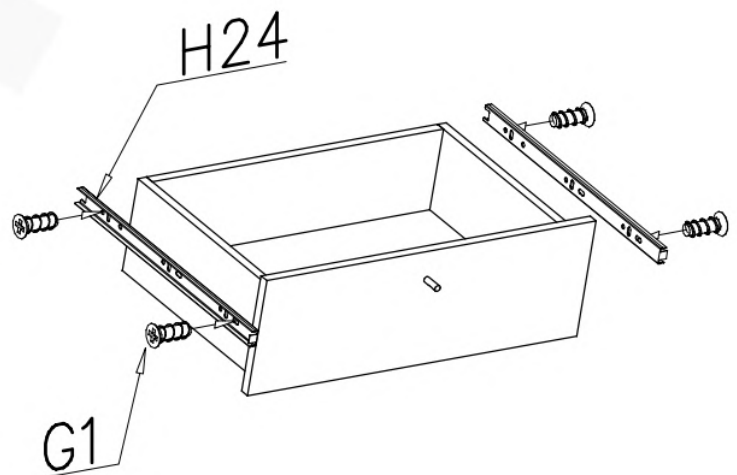
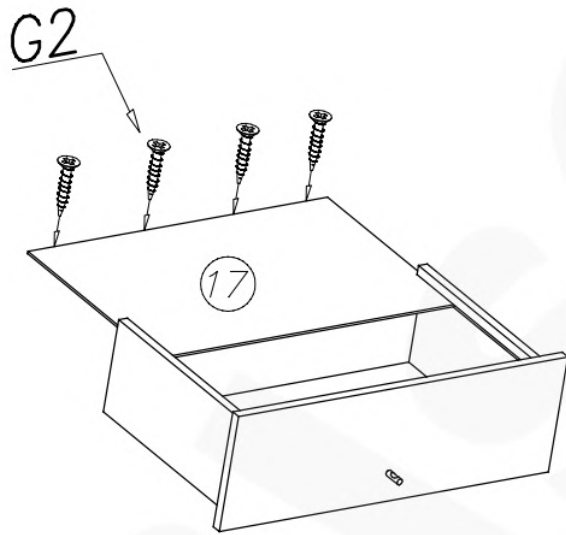
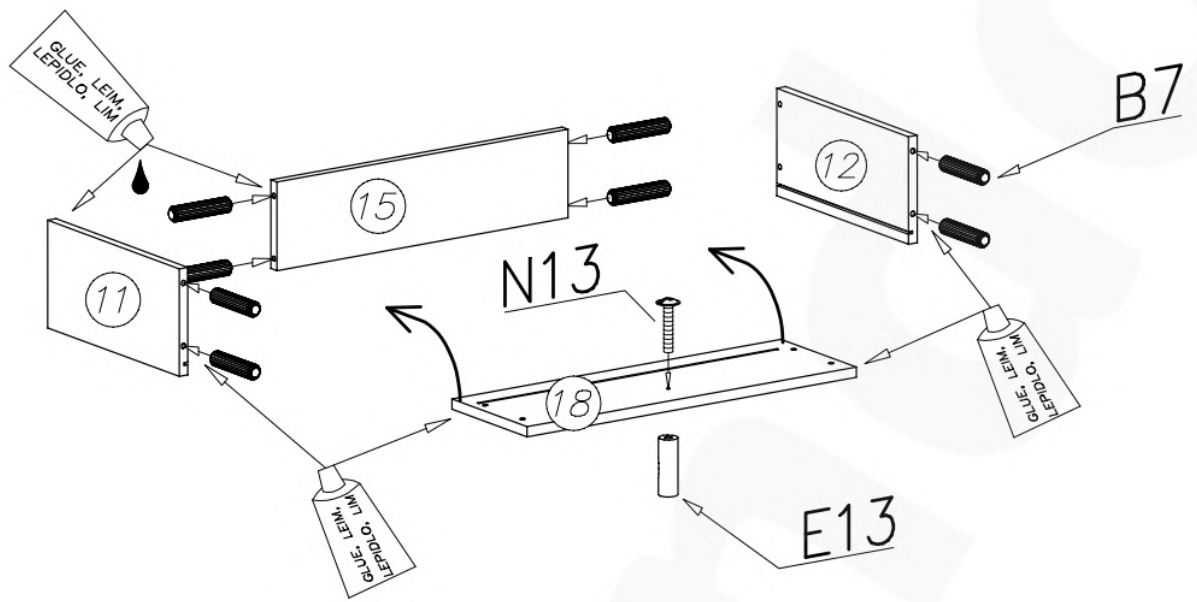
V



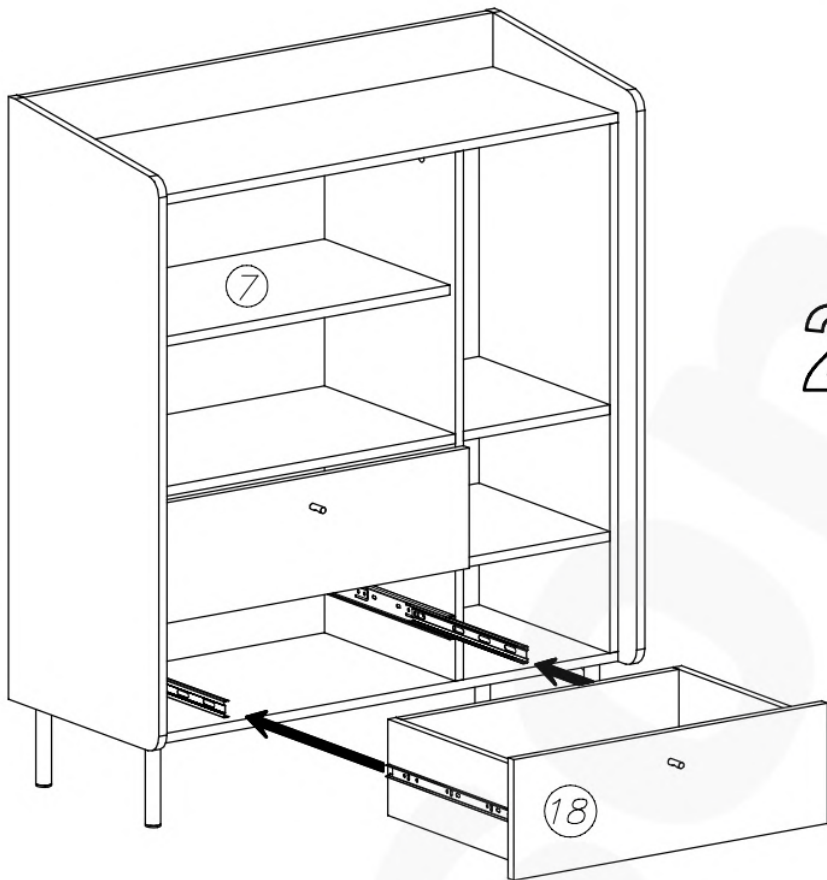
VI



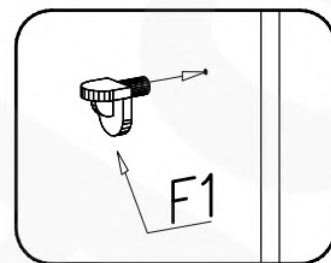
VII



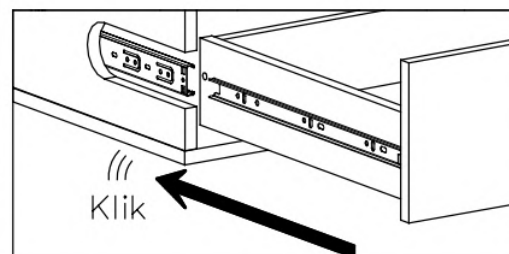
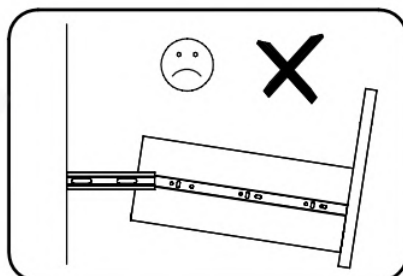
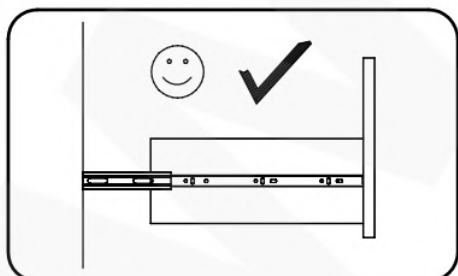
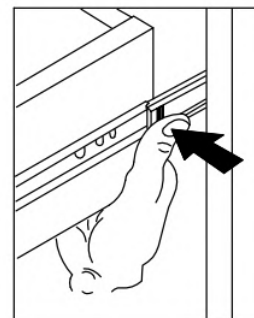
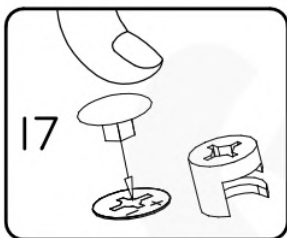
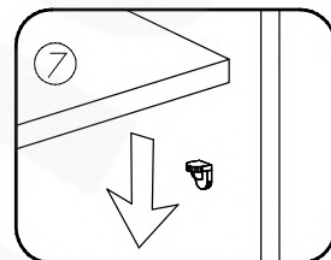
VIII



1



2



IX

