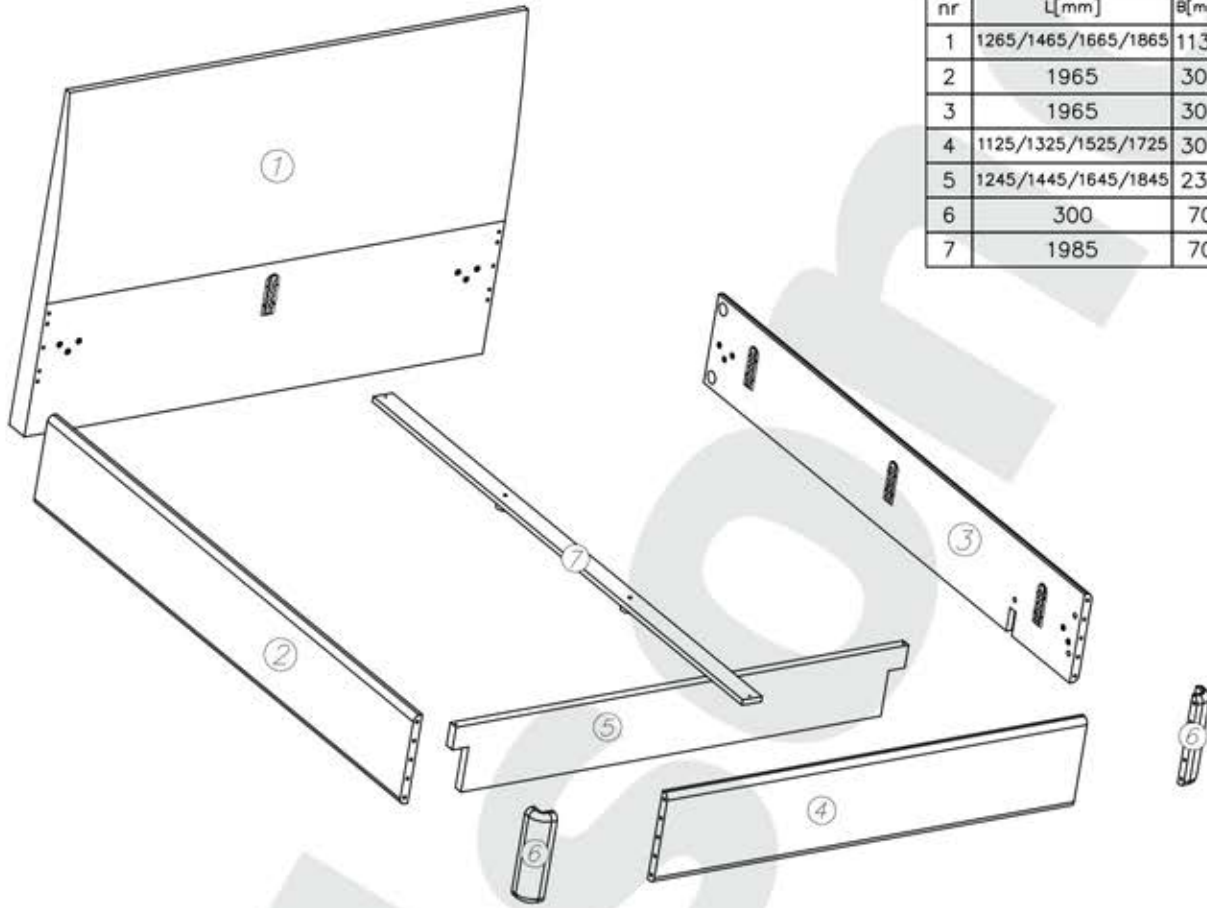


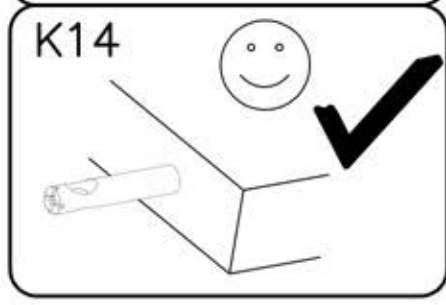
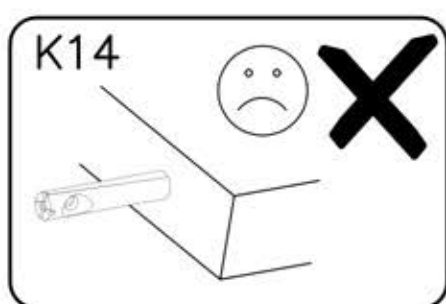
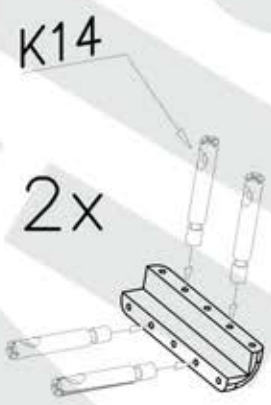
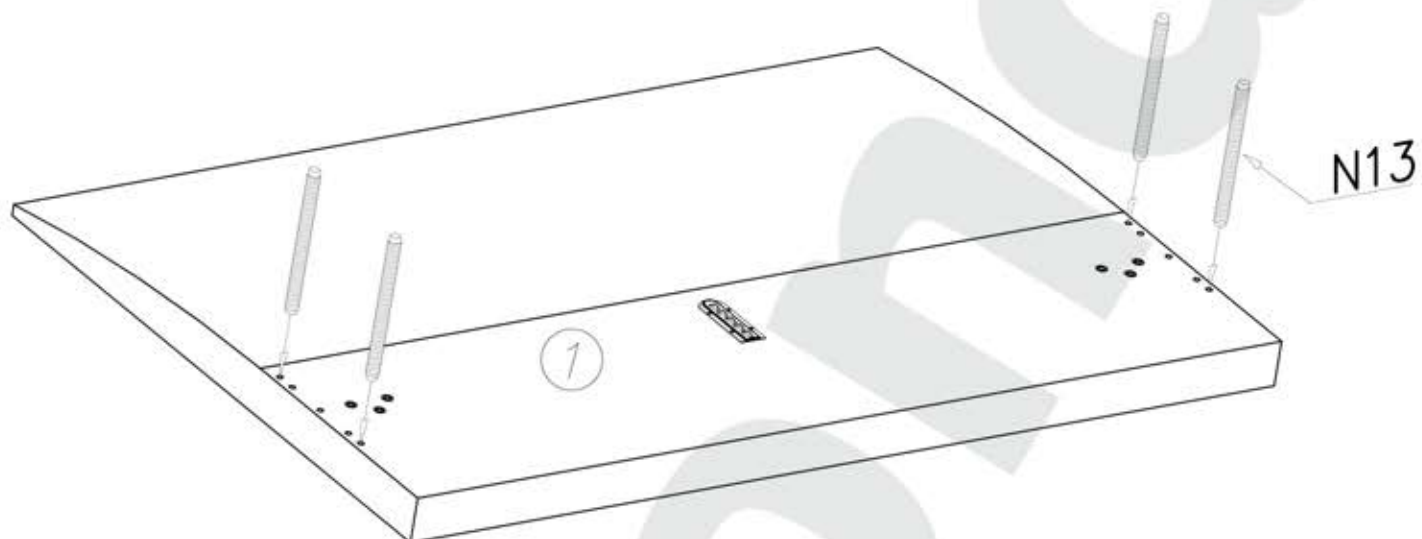
nr	L[mm]	B[mm]	T[mm]	
1	1265/1465/1665/1865	1135		1
2	1965	300	30	1
3	1965	300	30	1
4	1125/1325/1525/1725	300	30	1
5	1245/1445/1645/1845	230	30	1
6	300	70	70	2
7	1985	70	18	1

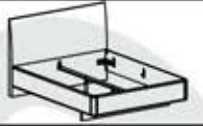


N7	N13	M3	P8	P7	N24
x...(4)	ø8x70 x...(4)	x...(8)	x...(4)	x...(2)	M8x40 x...(6)
K14	K15	K16	M5x25	N22	N23
x...(8)	x...(8)	x...(8)	x...(2)	x...(2)	M8x20 x...(14)
K5	B1	M12	K1	N5	W3
x...(2)	ø10x40 x...(18)	x...(4)	x...(2)	x...(2)	x...(1)
					W2
					x...(1)

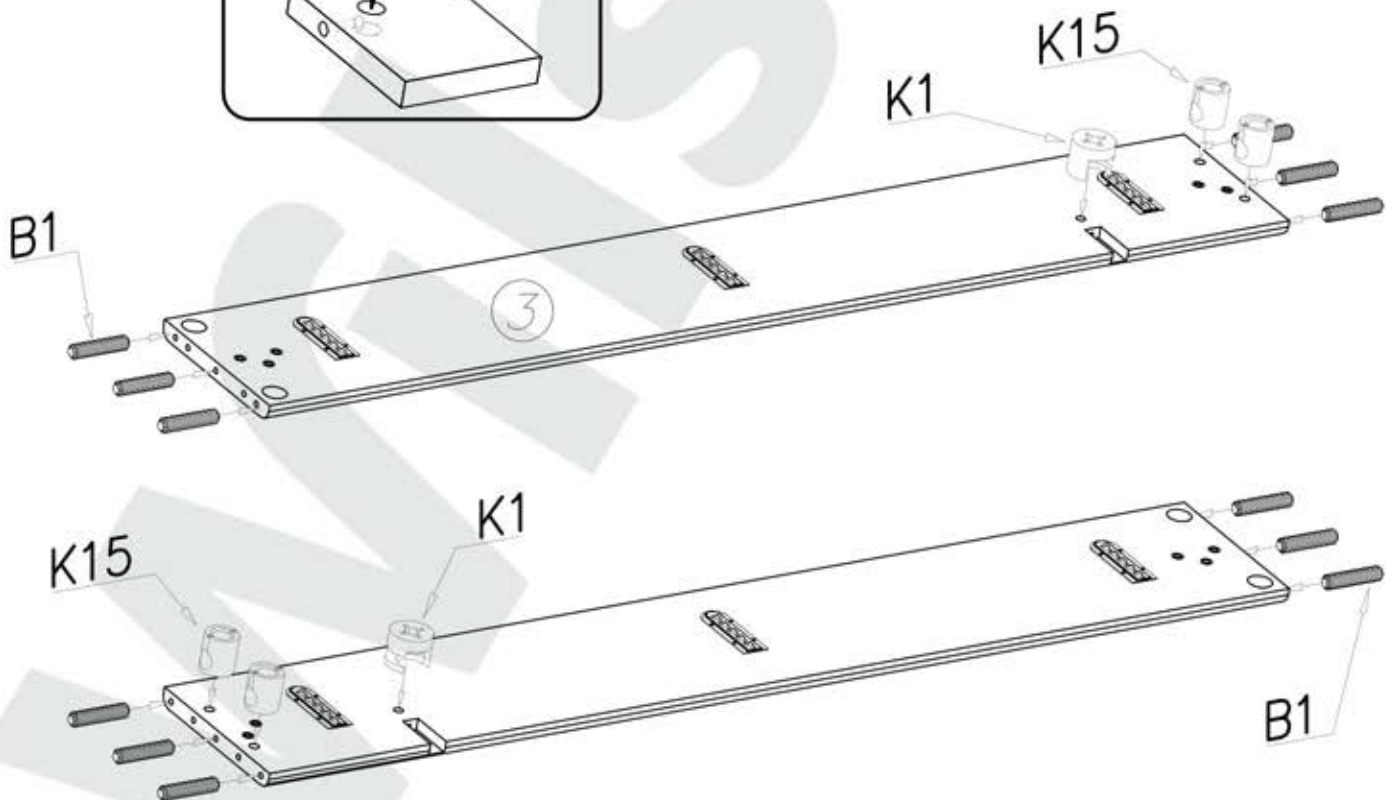
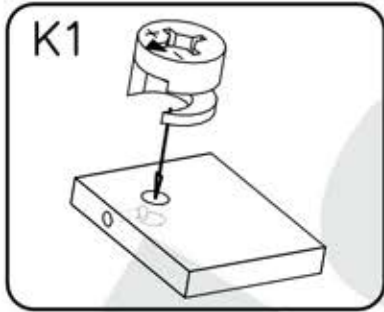
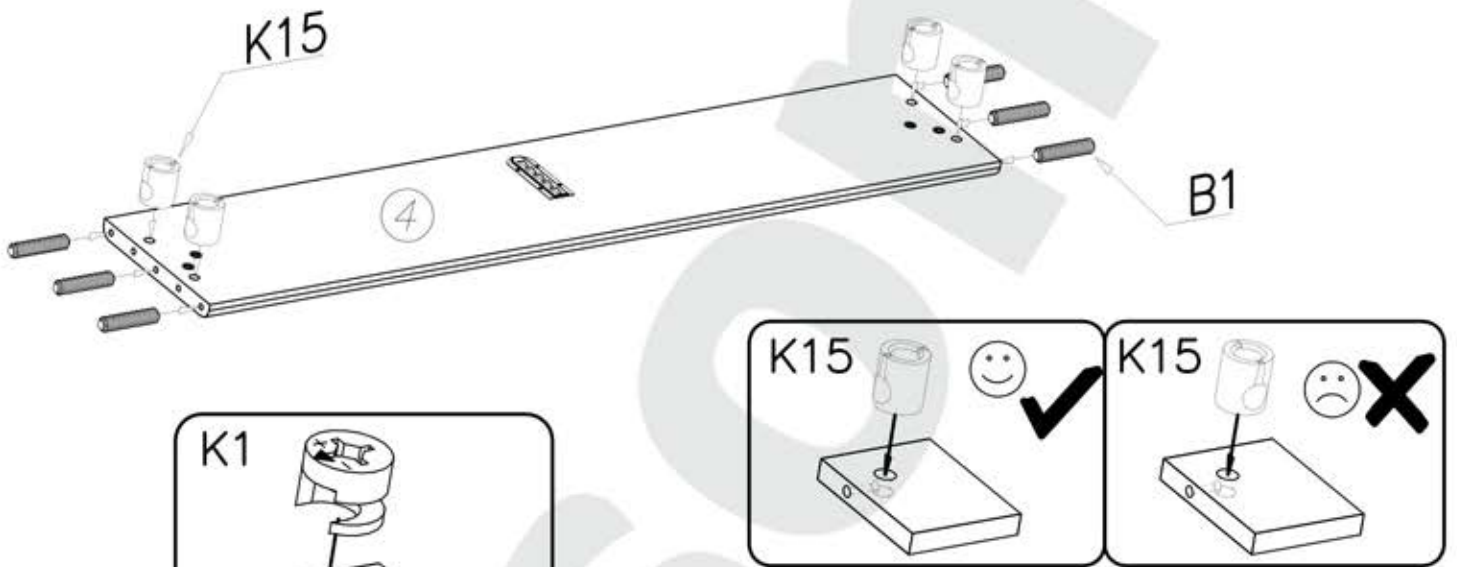
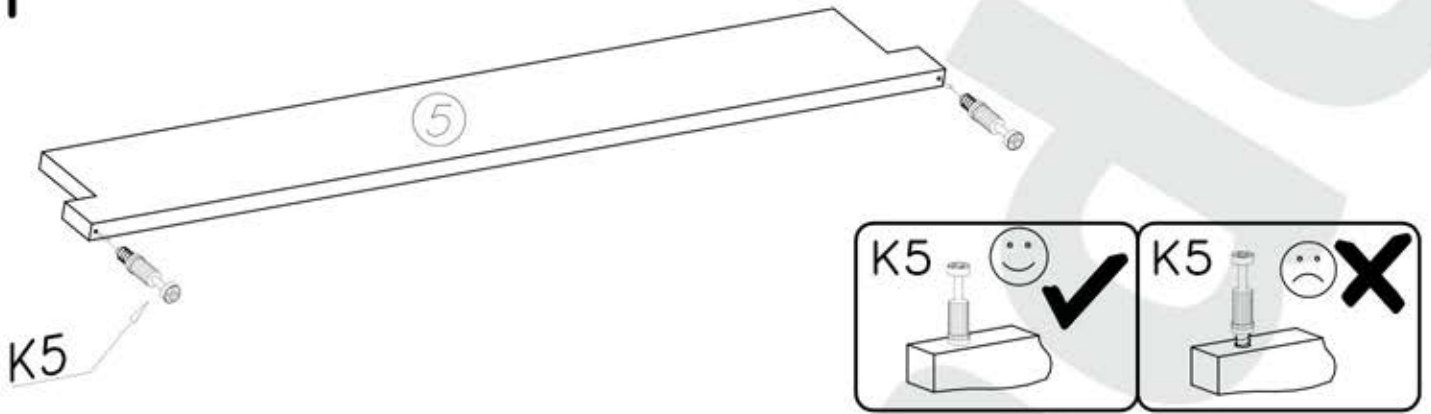


I



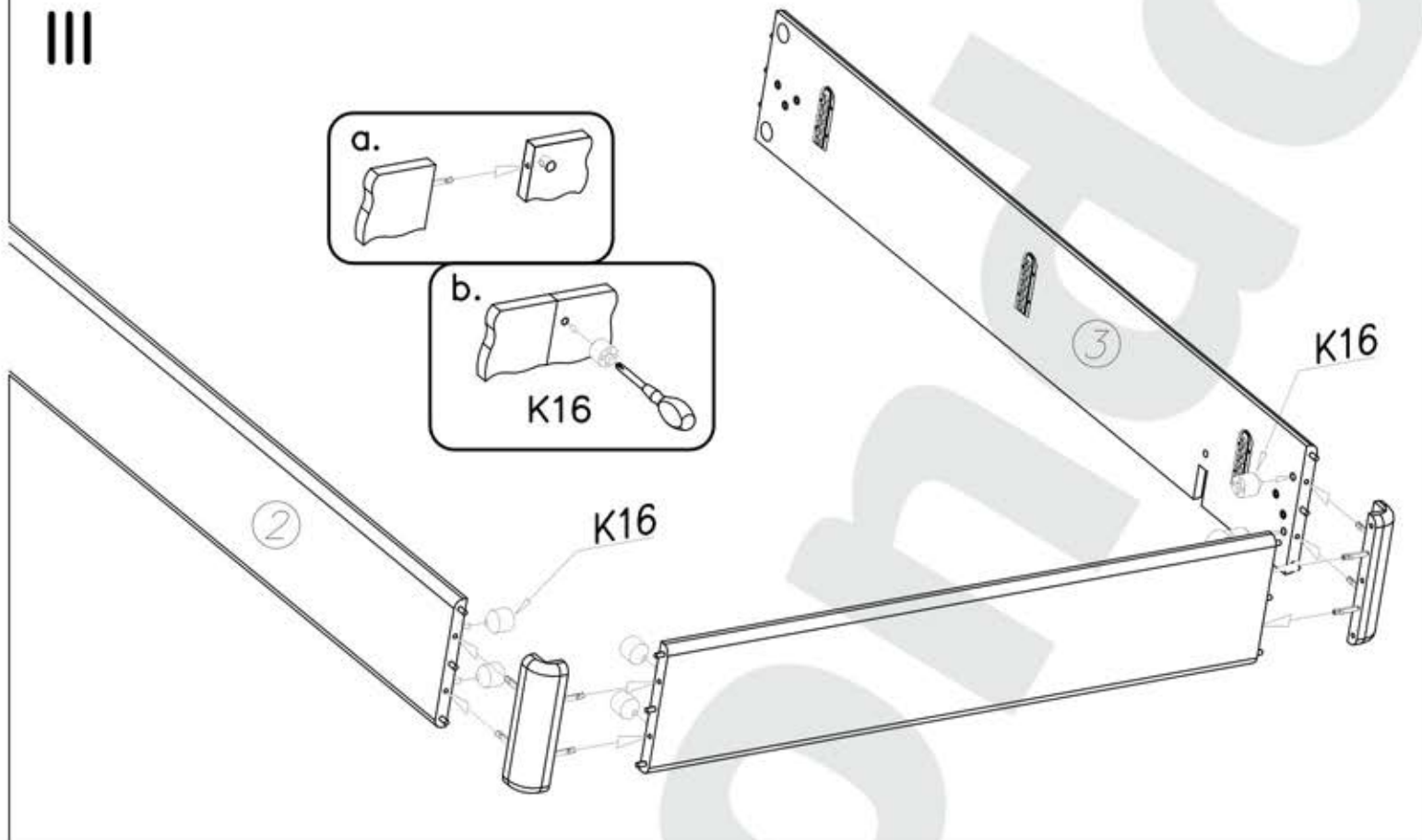


II

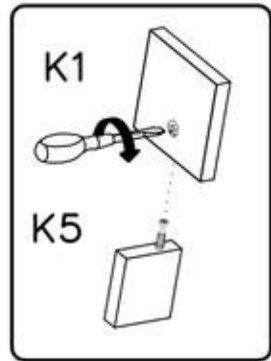
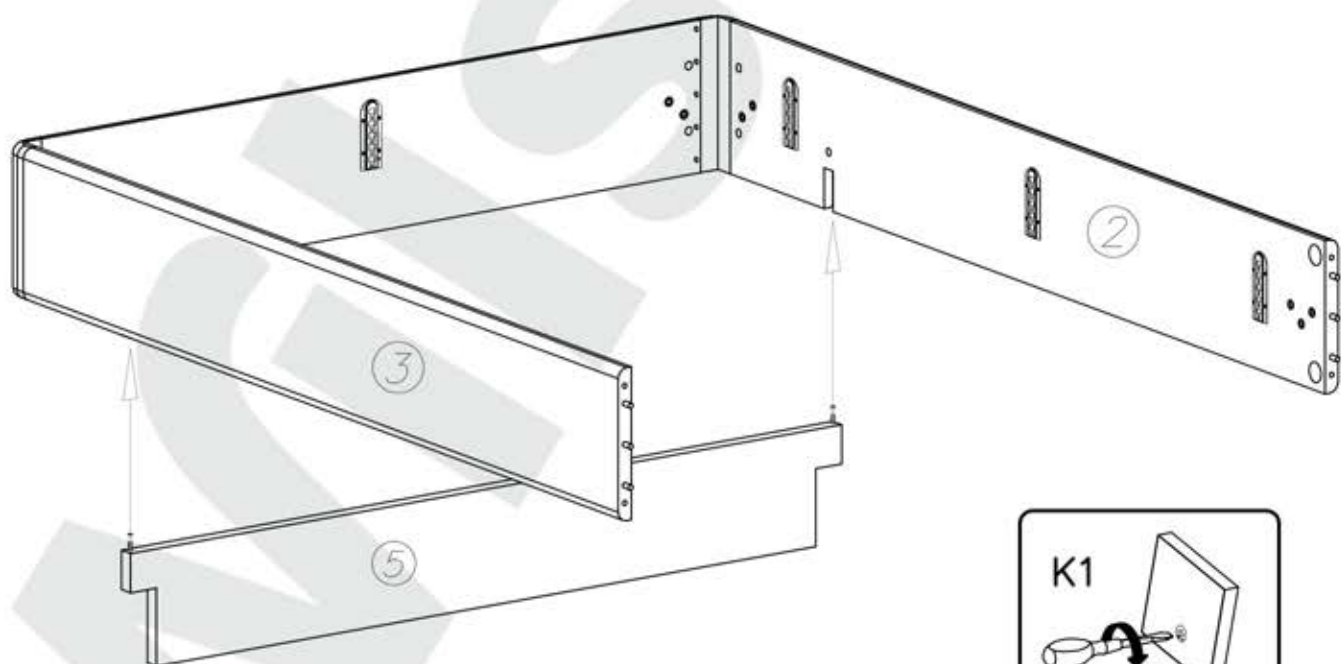




III

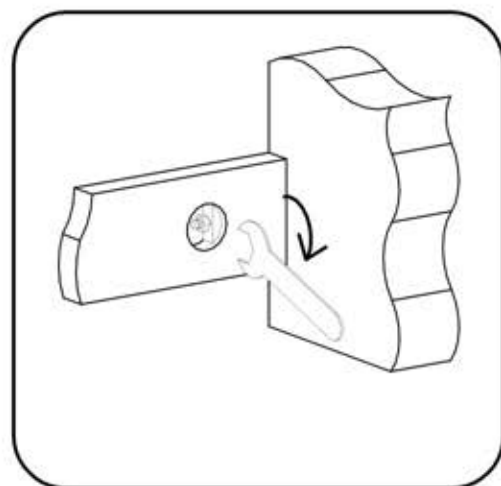
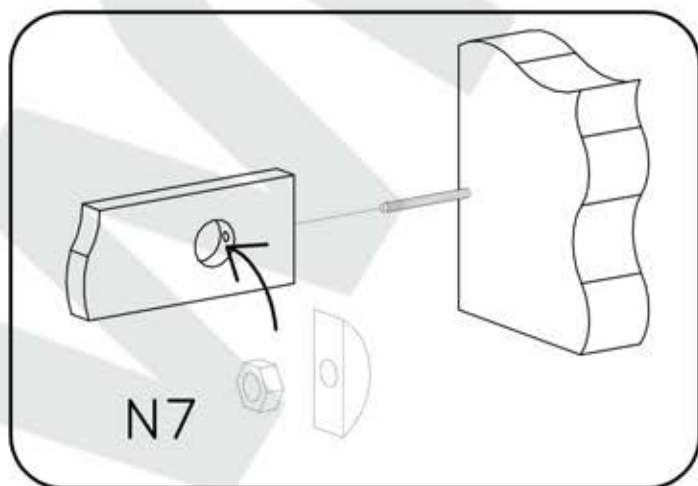
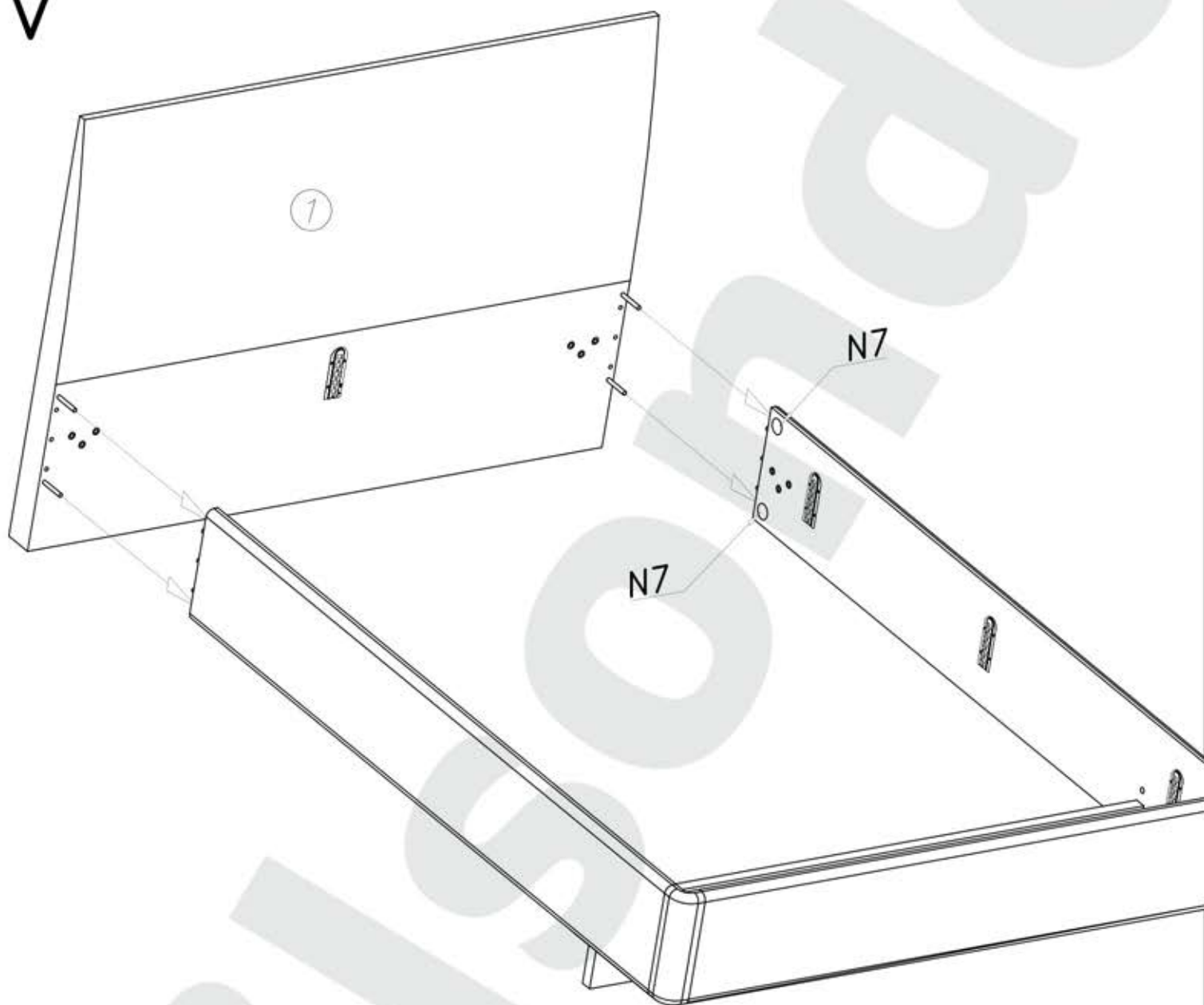


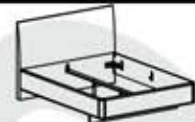
IV



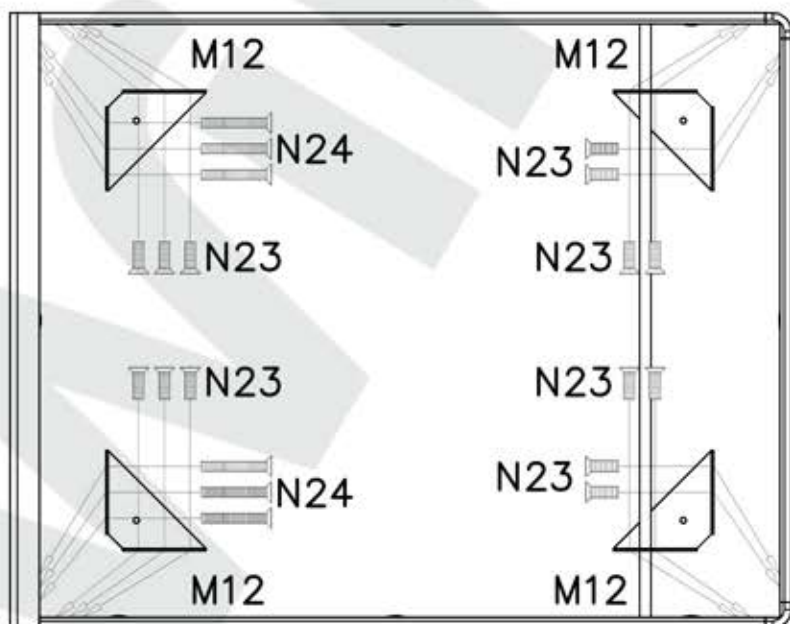
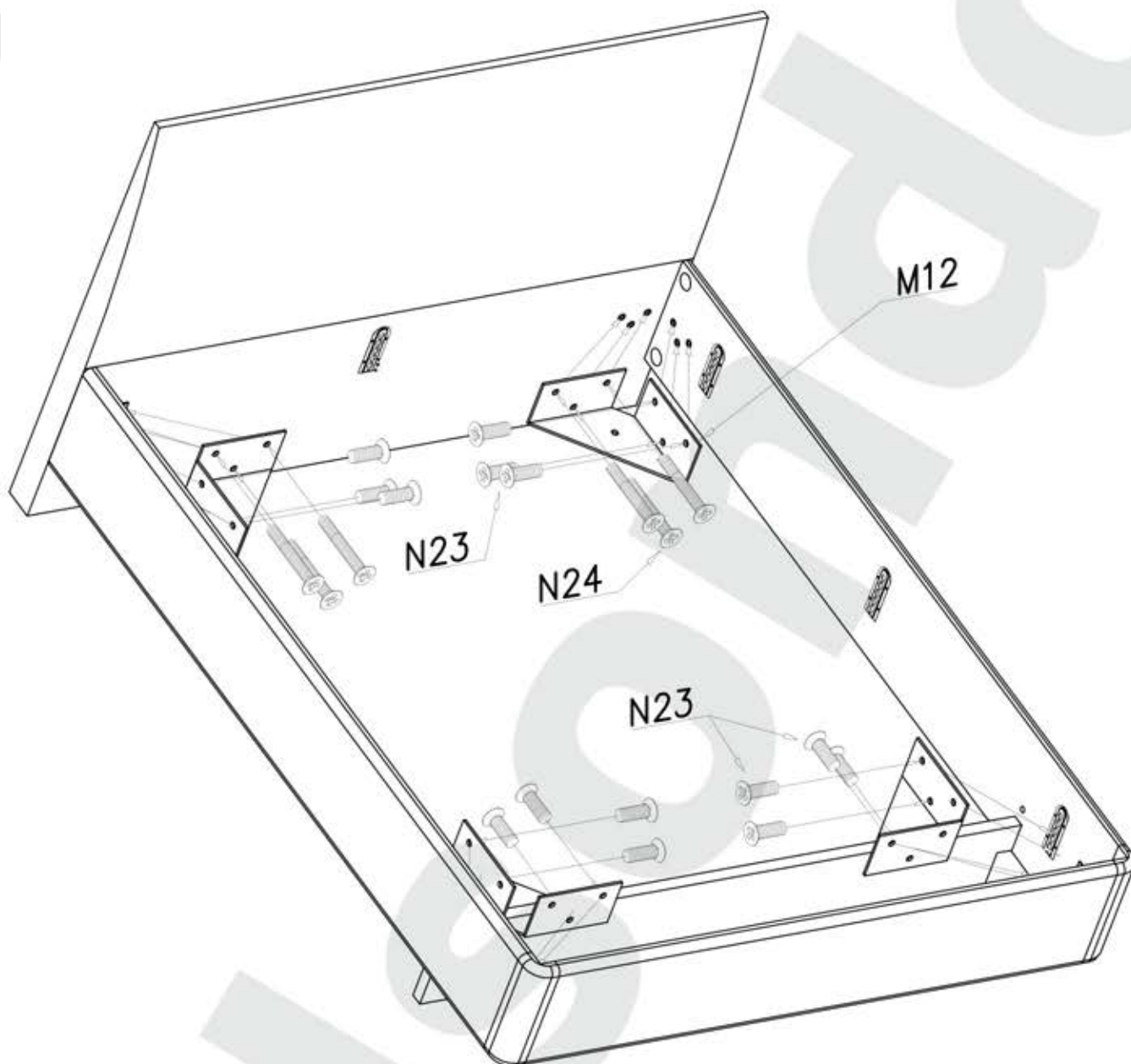


V



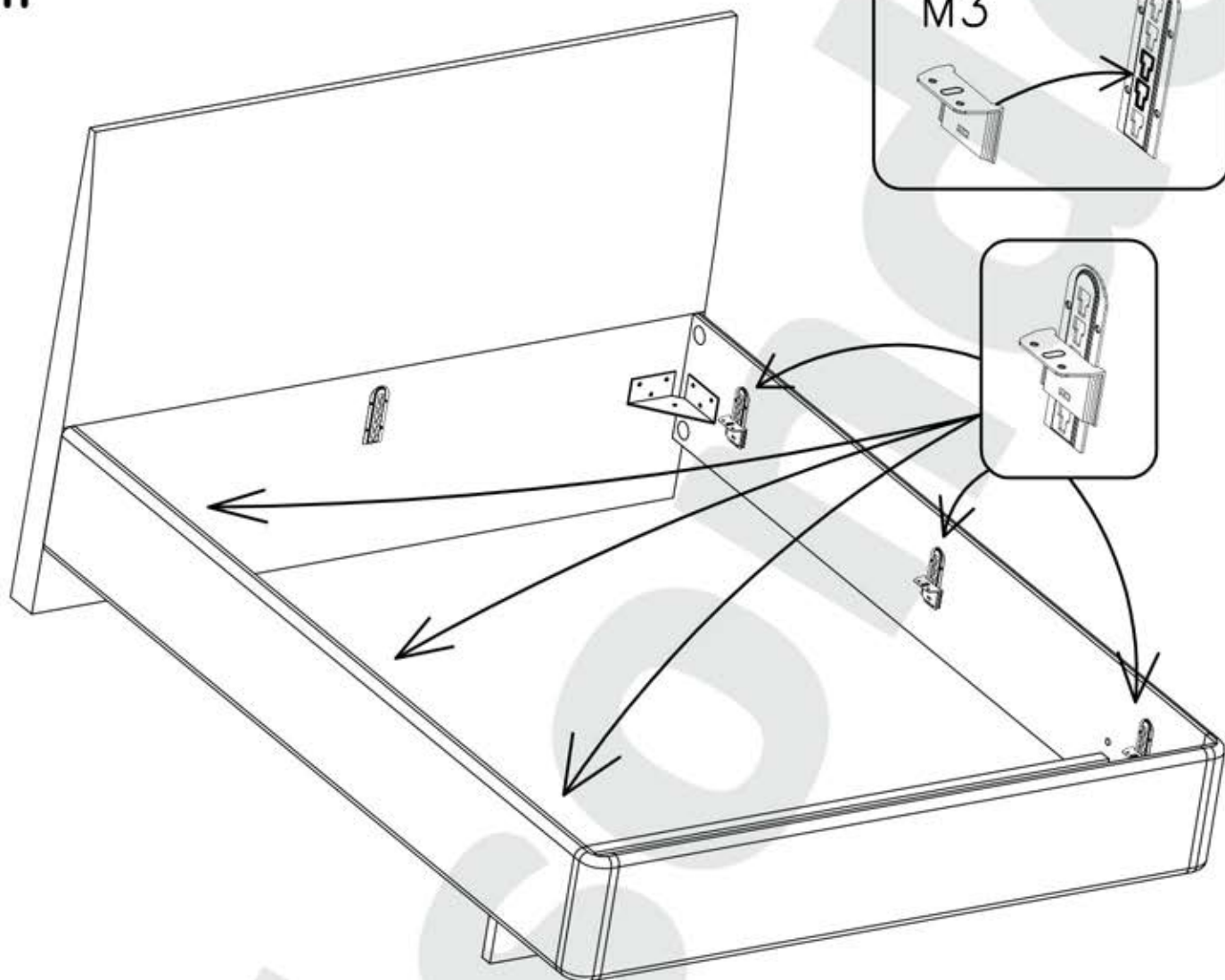
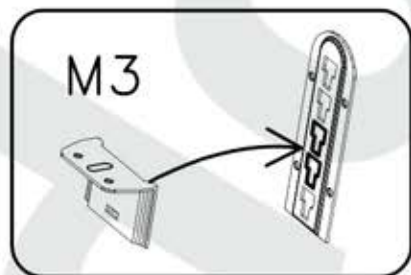


VI

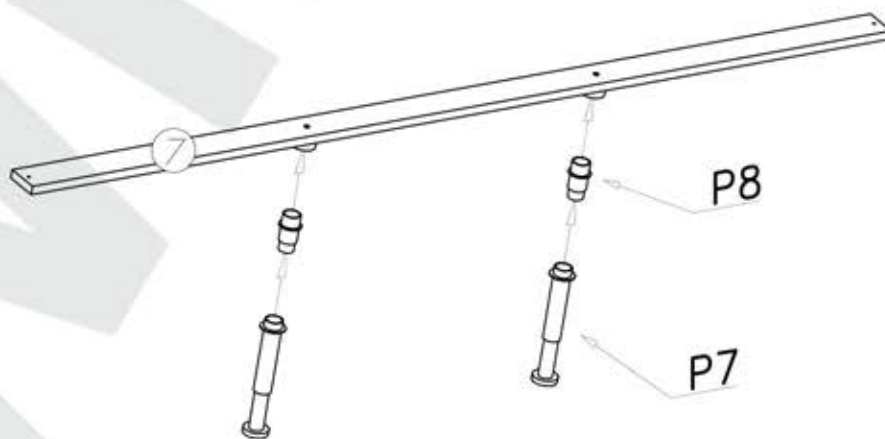


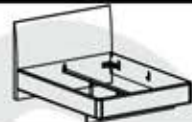


VII



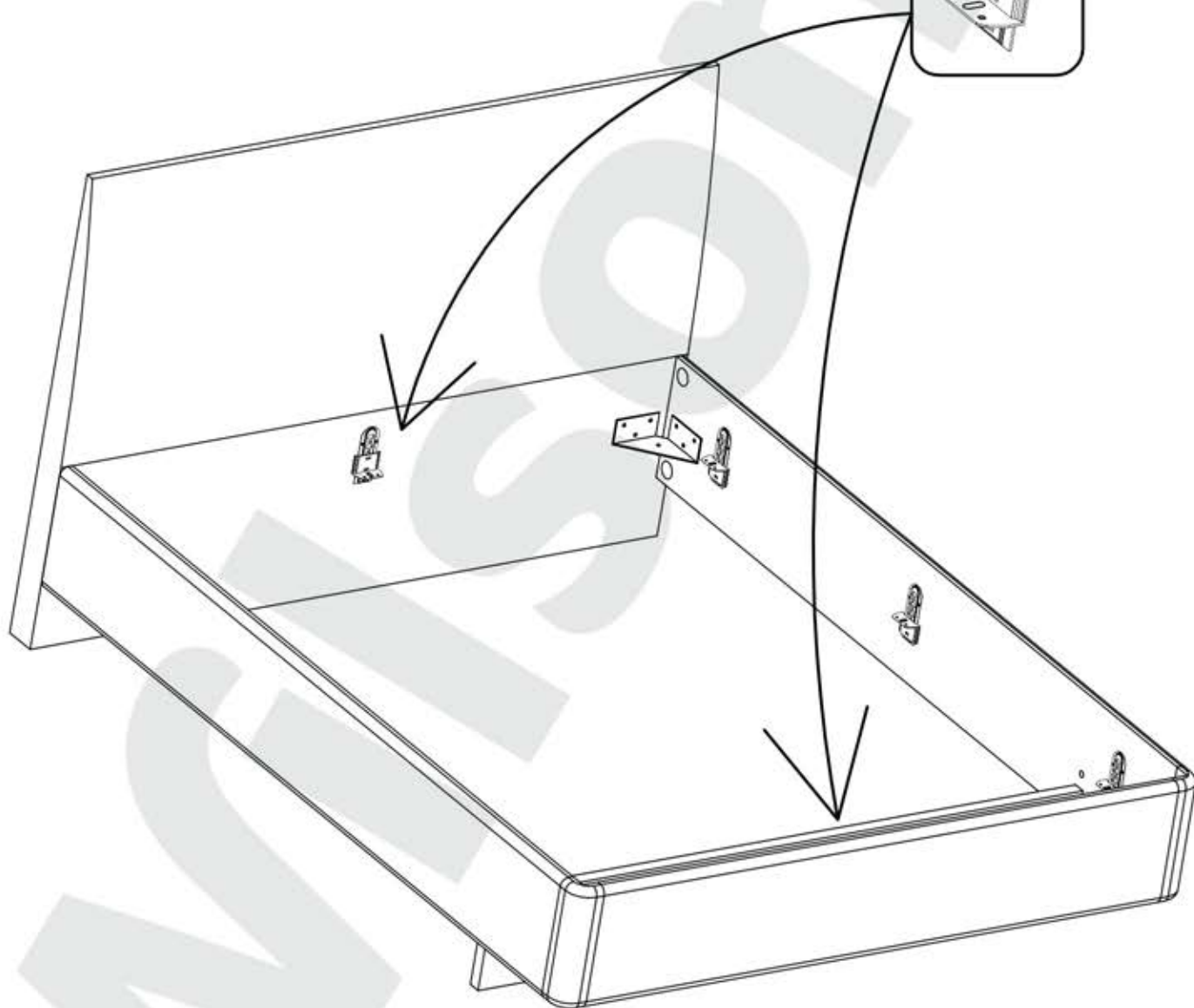
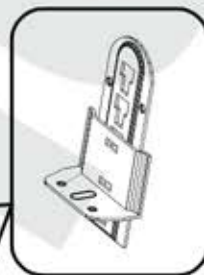
VIII





IX

M3





X

