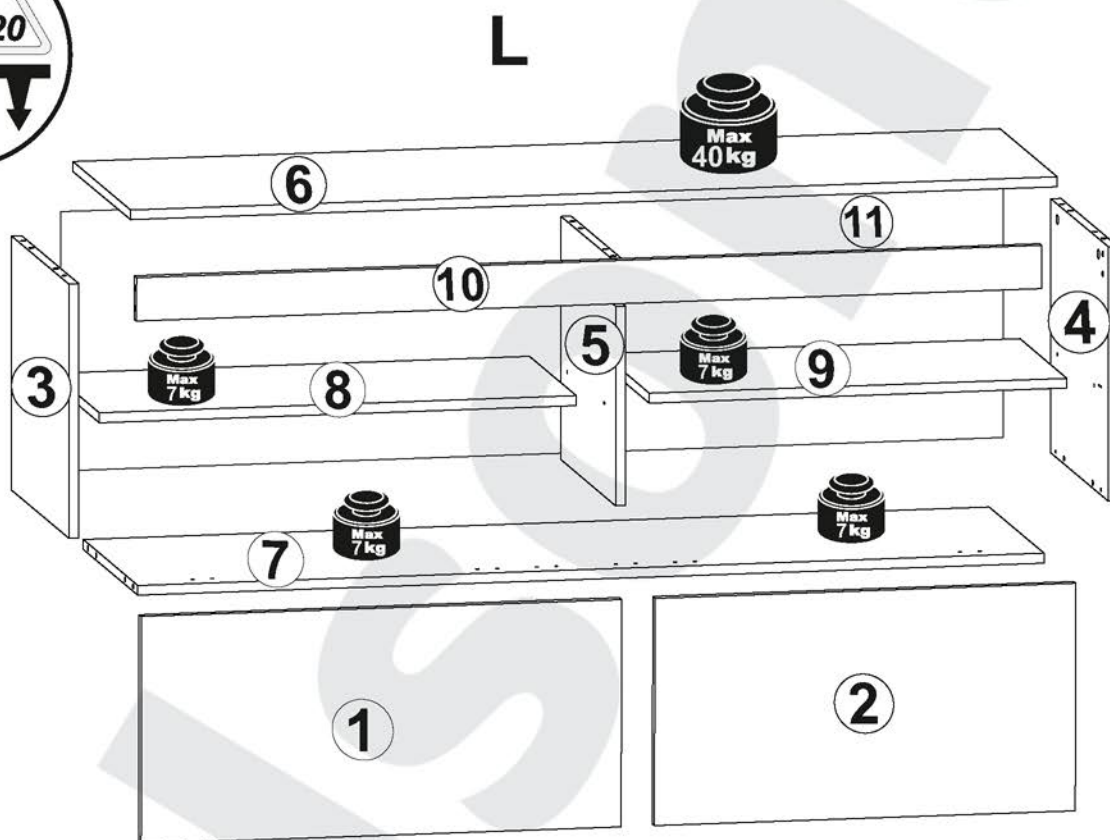
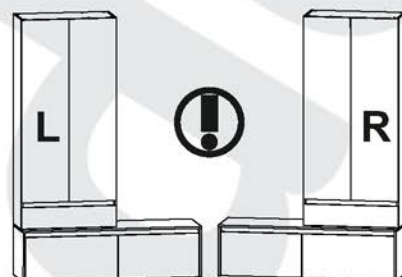
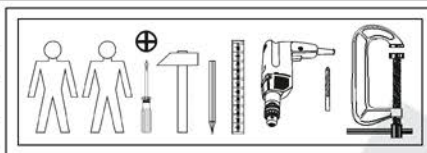
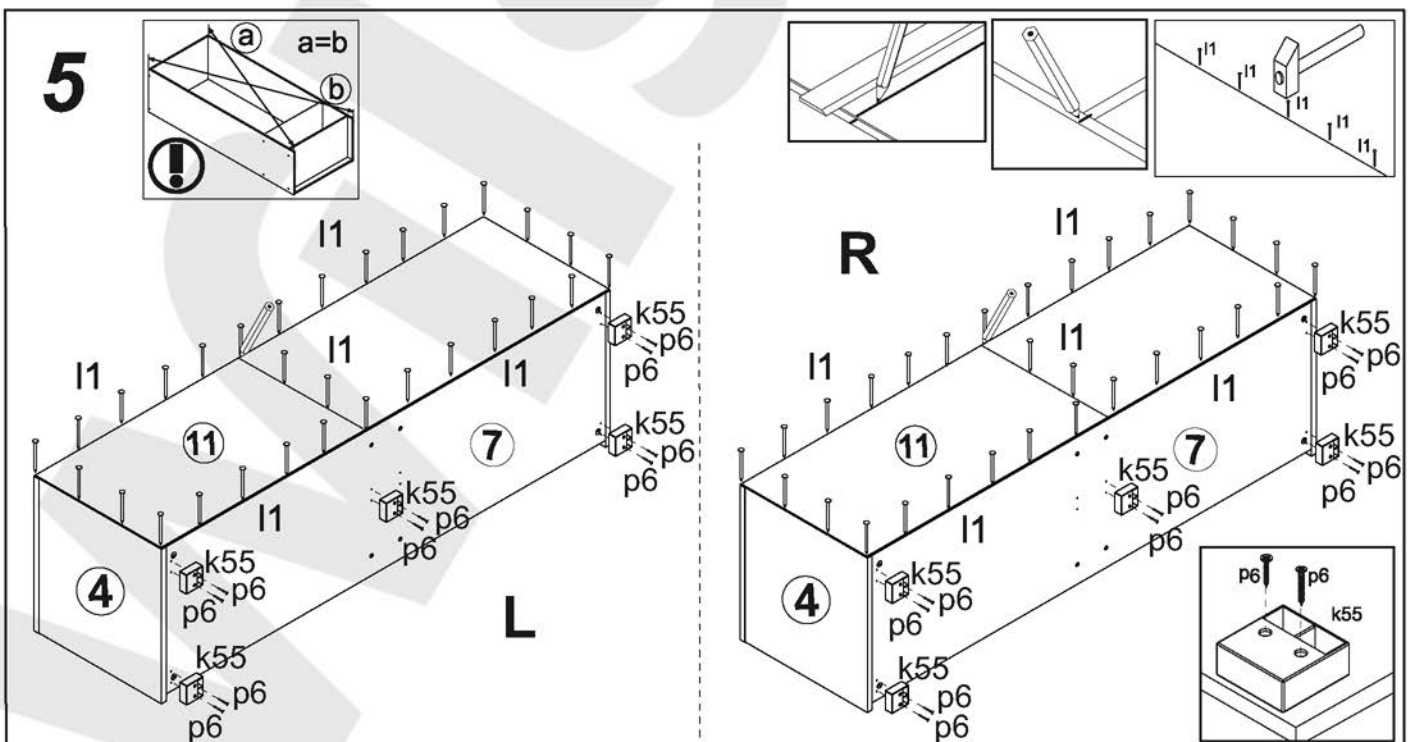
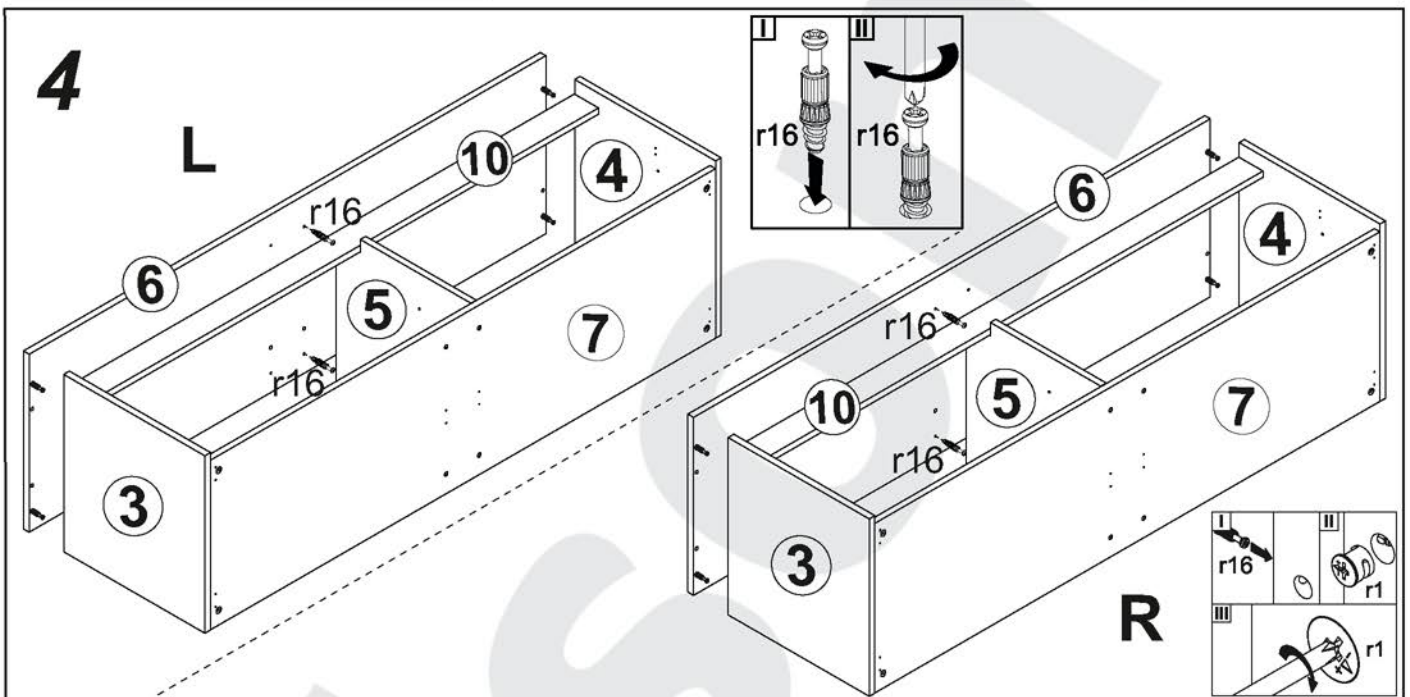
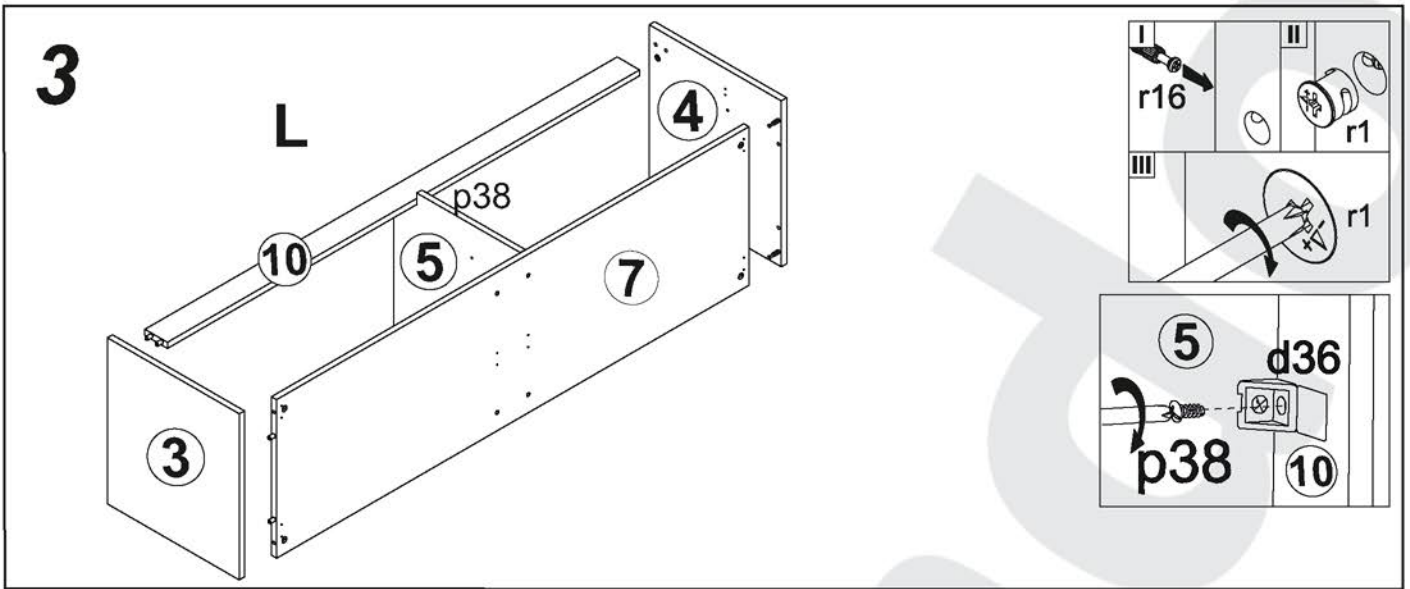


A	B	C	D
1	AB1 - 004	777	366 1/1
2	AB1 - 005	681	366 1/1
3	AB1 - 105	409	446 1/1
4	AB1 - 106	409	446 1/1
5	AB1 - 107	392	426 1/1
6	AB1 - 201	1500	447 1/1
7	AB1 - 307	1466	426 1/1
8	AB1 - 308	772	365 1/1
9	AB1 - 309	676	365 1/1
10	AB1 - 403	1465	70 1/1
11	AB1 - 904	1495	419 1/1



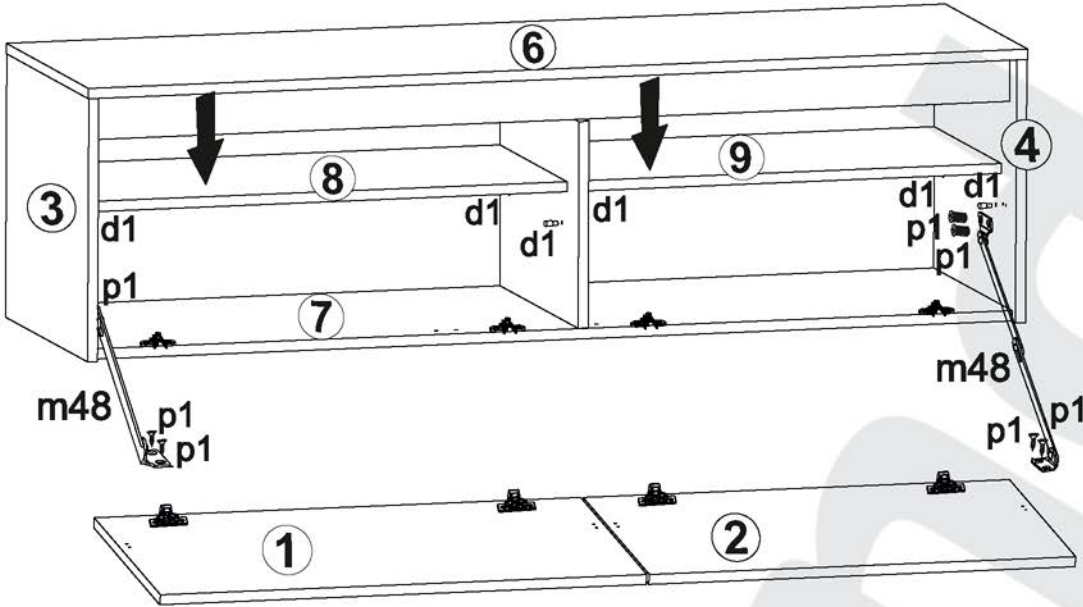
10x  φ15x12mm #16 <b>r1</b>	10x  20/9 <b>r16</b>	6x  ø20 <b>s100</b>	14x  φ8x30 mm <b>f1</b>	42x  <b>l1</b>	8x  φ3,5x15 mm <b>p51</b>
5x  60x60/25 mm <b>k55</b>	10x  φ4x35 mm <b>p6</b>	4x  K0 <b>a44</b>	4x  D5 <b>b19</b>	8x  φ5x17 mm <b>d1</b>	2x  φ3,5x16 mm <b>p38</b>
3x  ø14 <b>s103</b>	1x  <b>d36</b>	2x  φ7x50 mm <b>e1</b>	1x  <b>z1</b>	8x  φ3,5x13 mm <b>p1</b>	2x  L-230 <b>m48</b>





# 6

# L



# R

