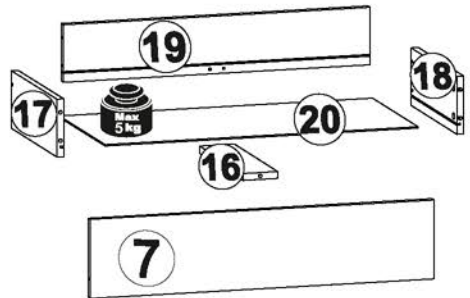
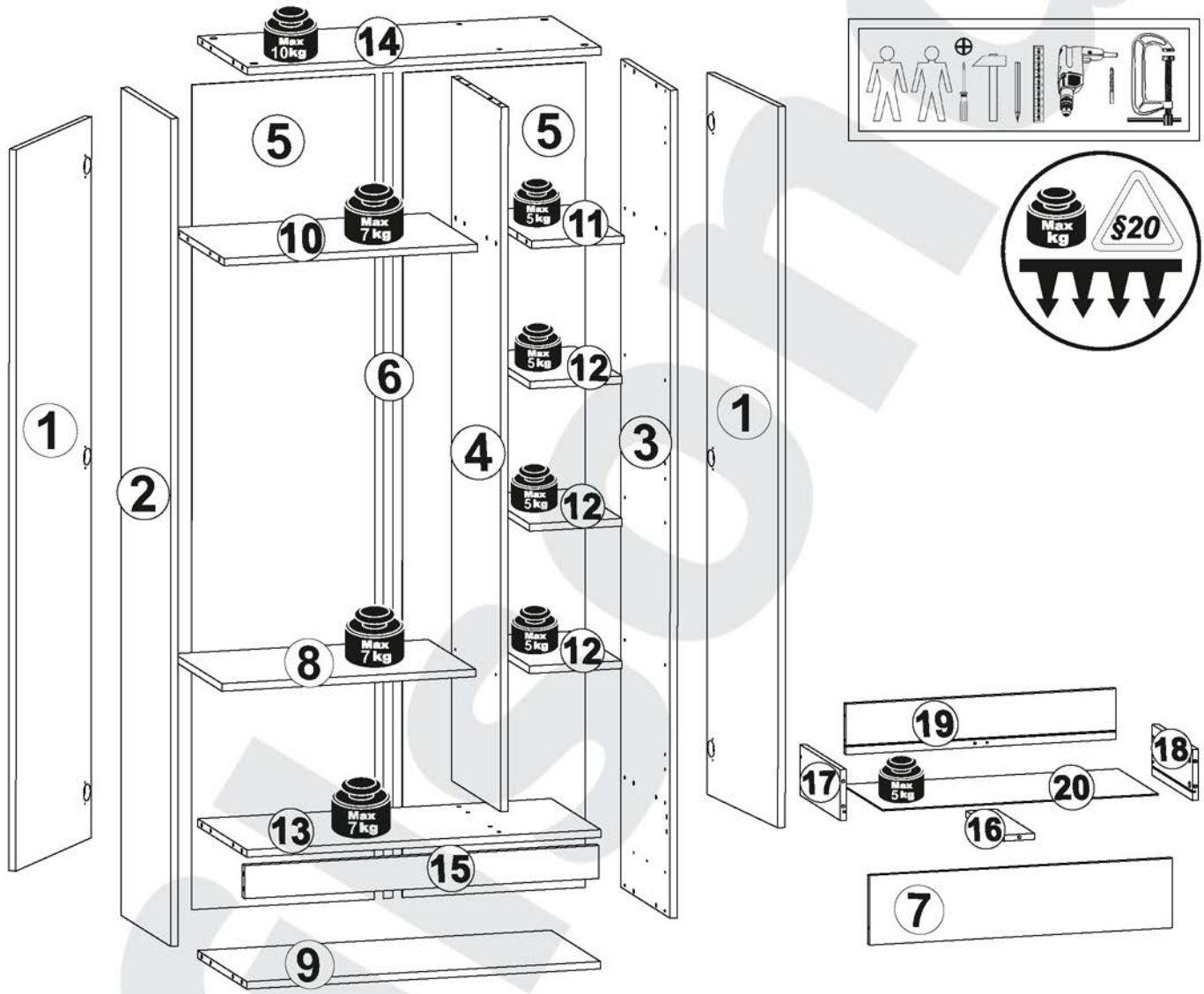
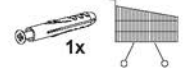
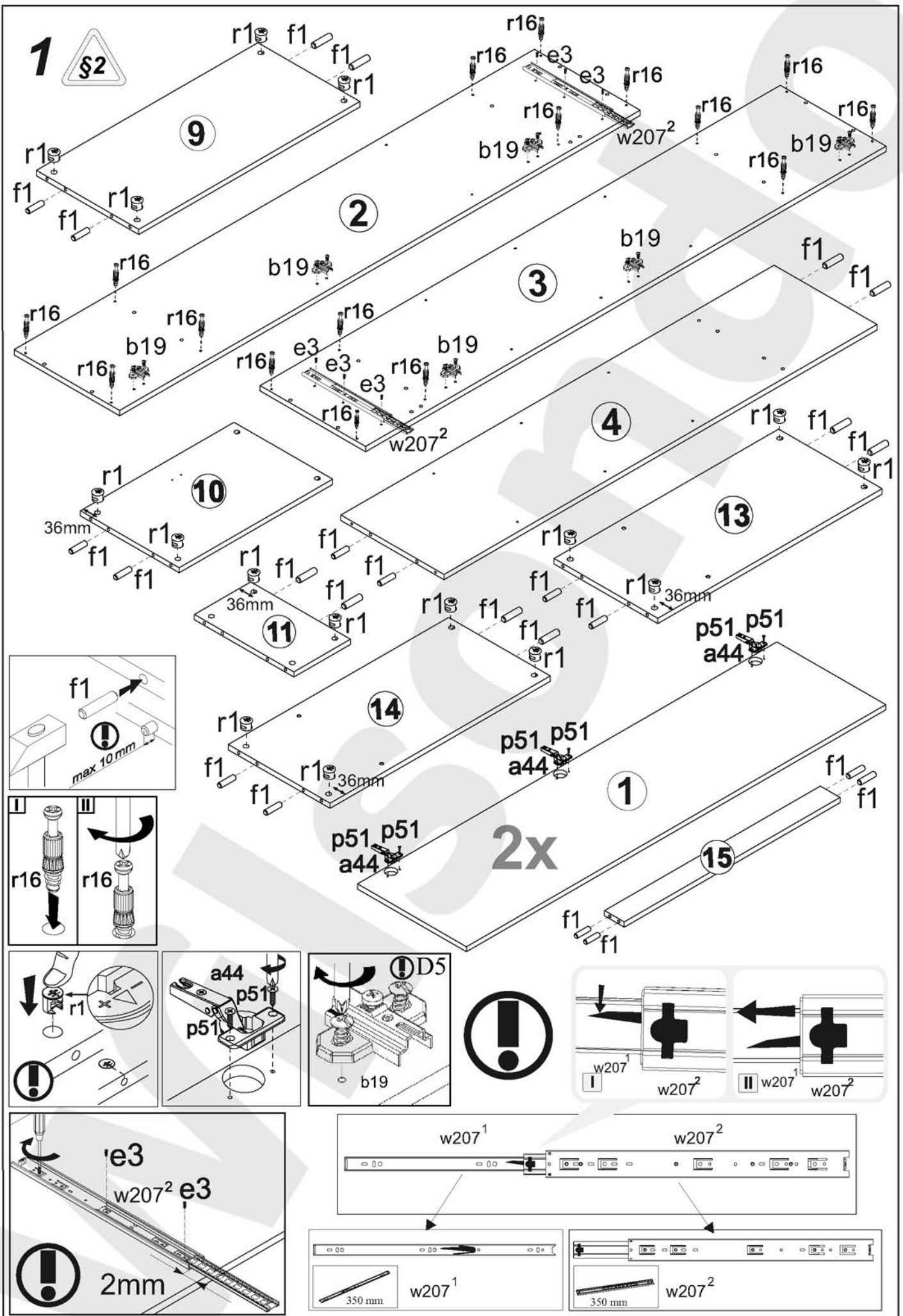


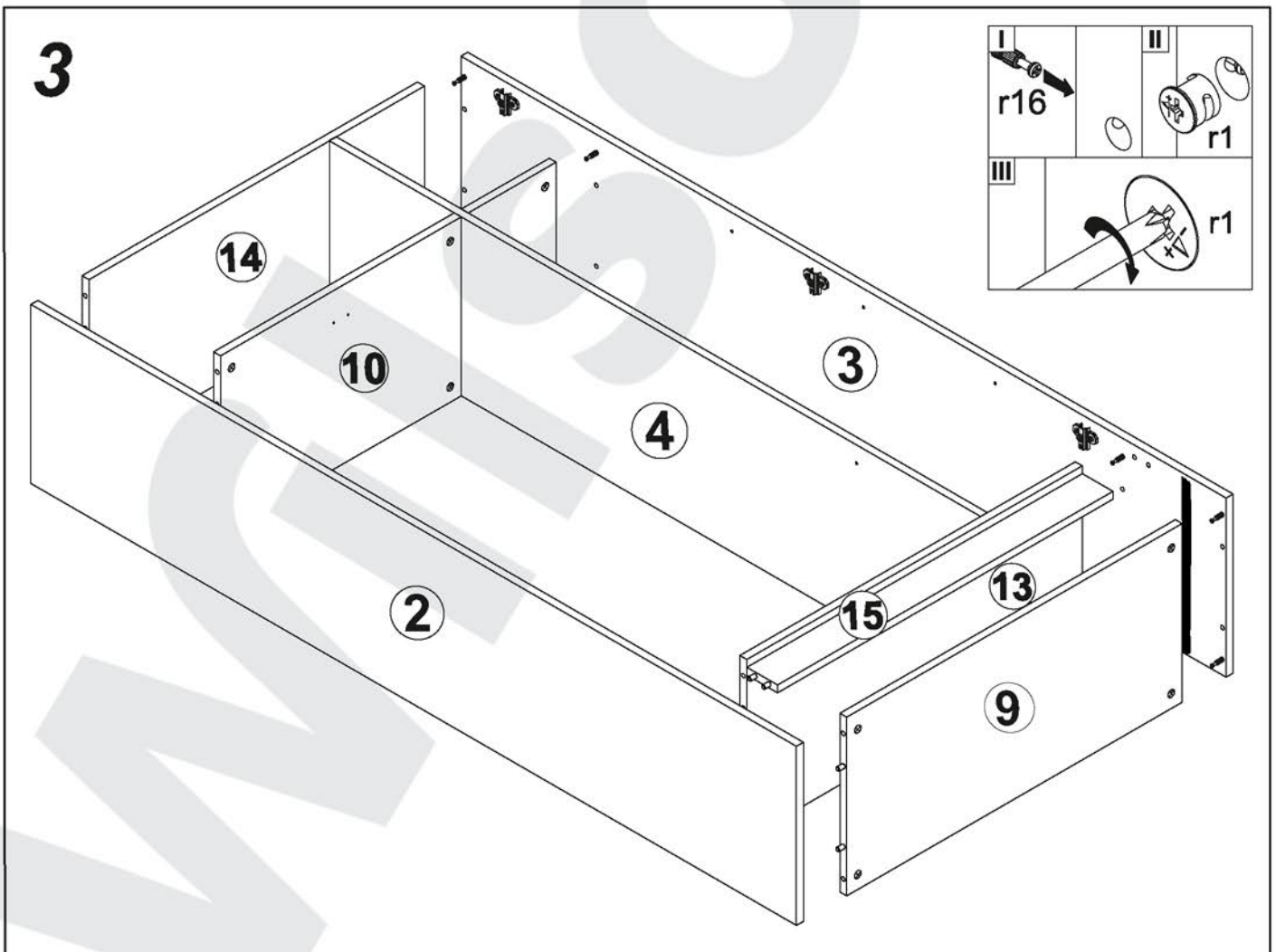
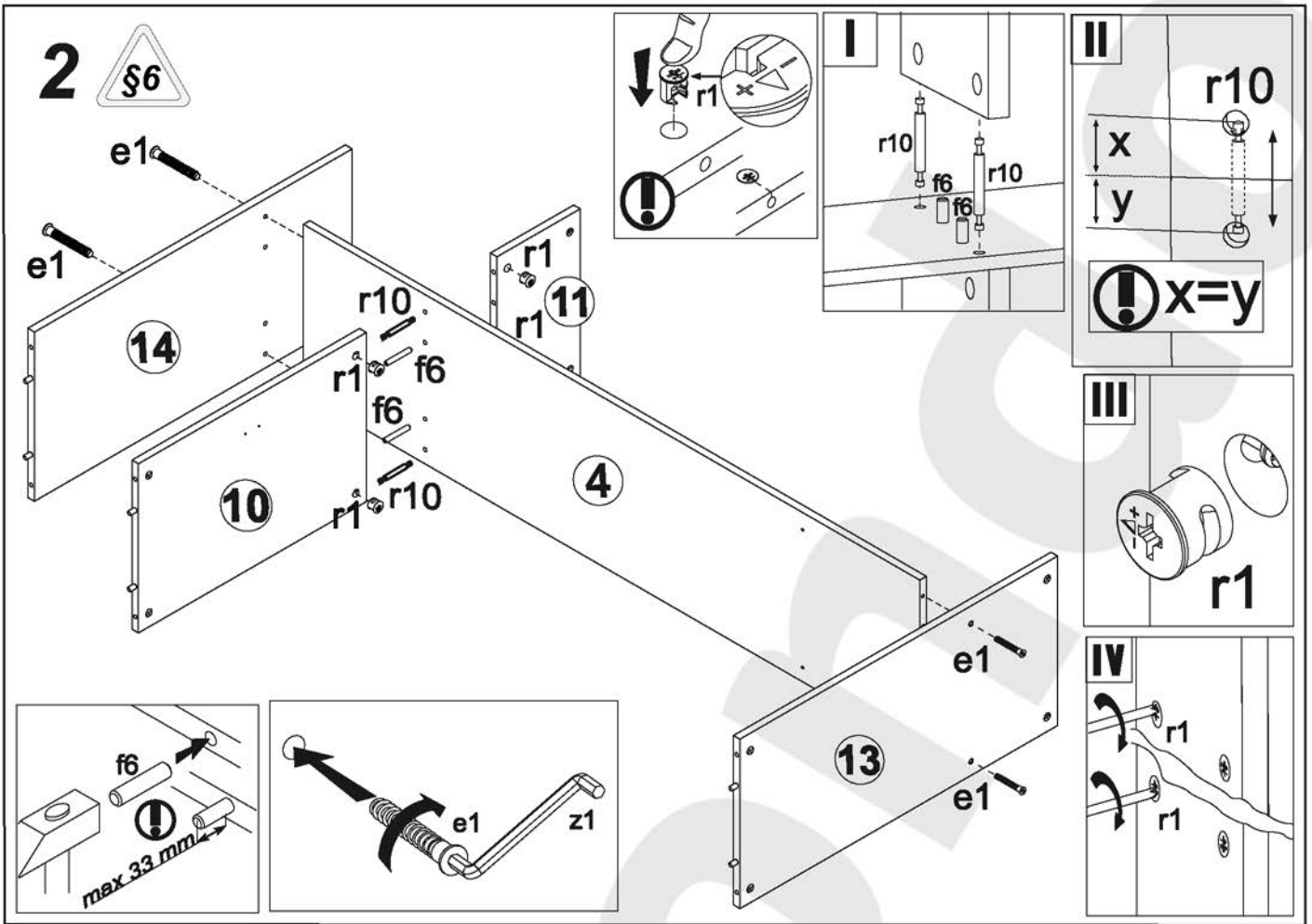
A	B	C		D	A	B	C		D
1	AB1 - 001	1525	396	1/2	11	AB1 - 313	201	354	2/2
2	AB1 - 101	1750	355	1/2	12	AB1 - 314	200	340	2/2
3	AB1 - 102	1750	355	1/2	13	AB1 - 315	767	354	2/2
4	AB1 - 110	1488	354	1/2	14	AB1 - 316	767	354	2/2
5	AB1 - 902	1744	396	1/2	15	AB1 - 401	767	70	2/2
6	LH - 1716	1716	14	1/2	16	AB1 - 405	333	80	2/2
7	AB1 - 002	795	178	2/2	17	AB1 - 551	350	130	2/2
8	AB1 - 301	550	340	2/2	18	AB1 - 552	350	130	2/2
9	AB1 - 302	767	354	2/2	19	AB1 - 553	709	130	2/2
10	AB1 - 303	550	354	2/2	20	AB1 - 901	724	349	2/2

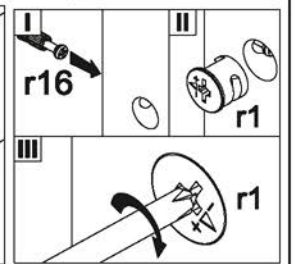
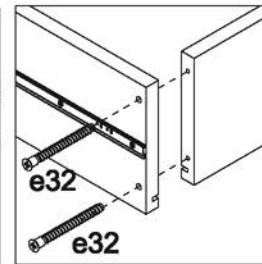
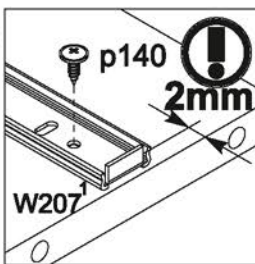
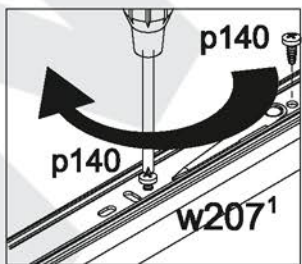
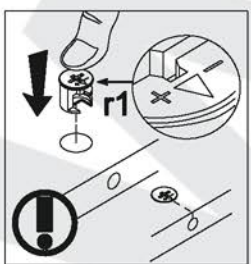
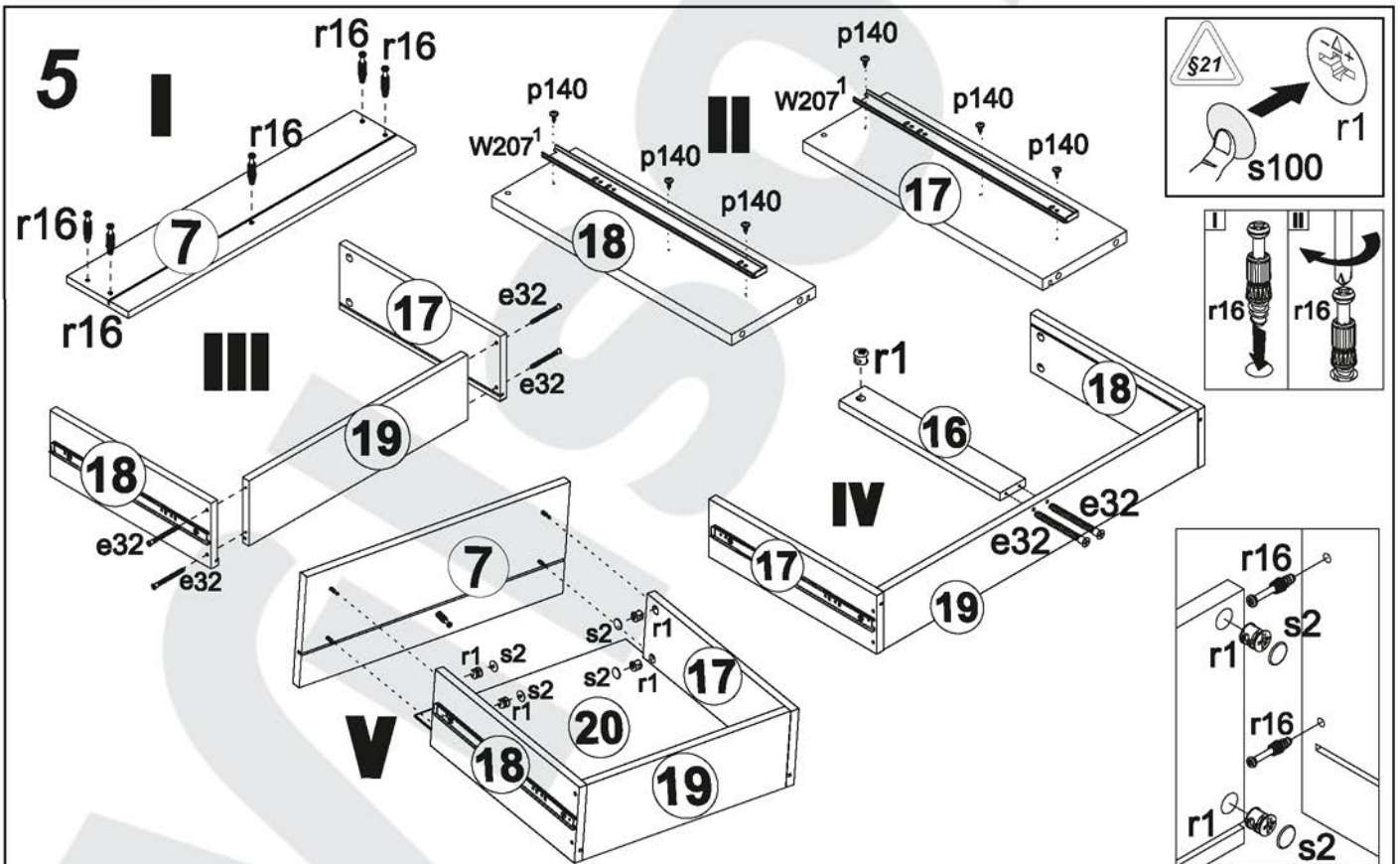
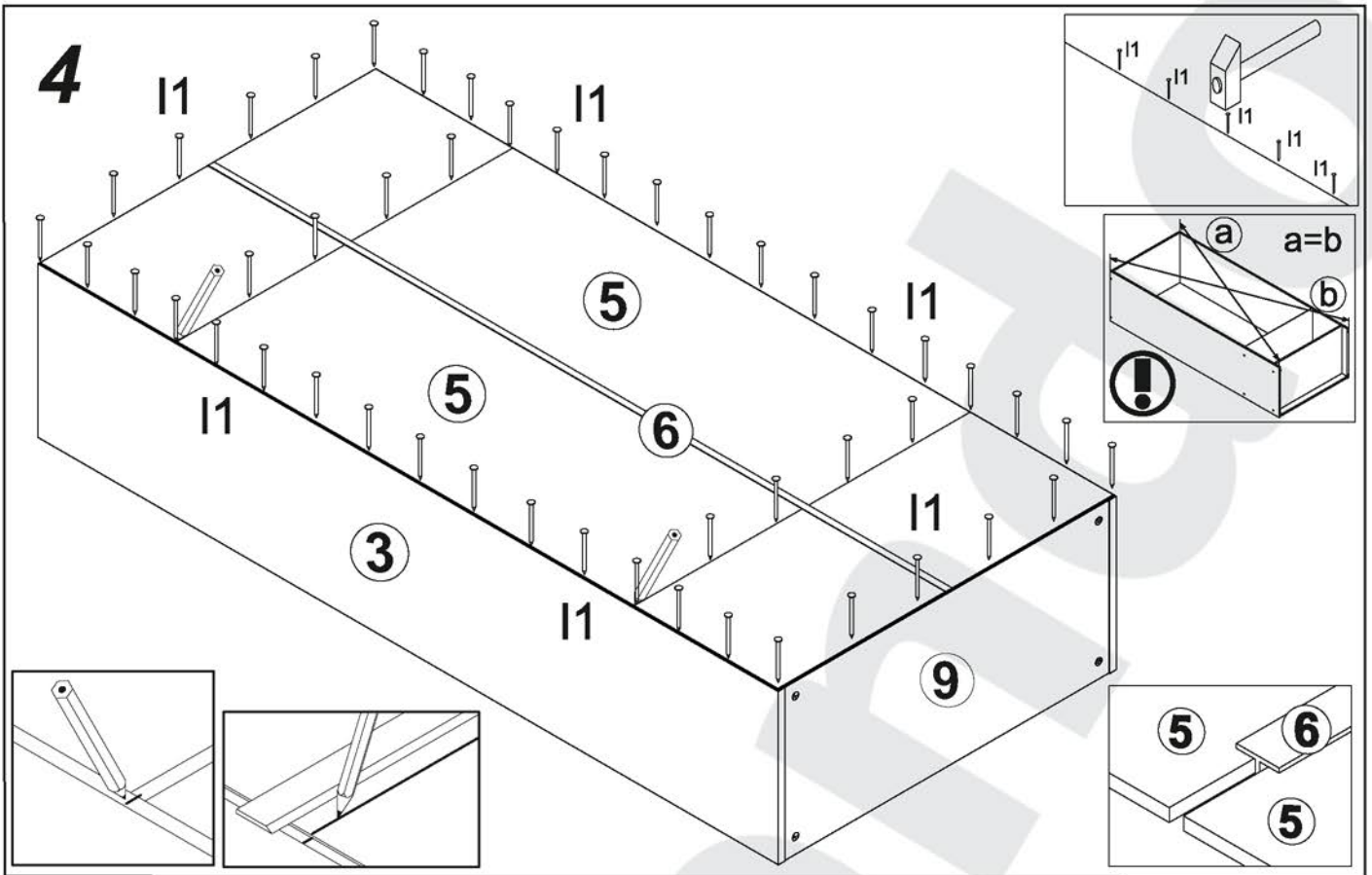


25x φ15x12mm #16 r1	21x 20/9 r16	12x ø20 s100	24x φ8x30 mm f1	66x l1	12x φ3,5x15 mm p51	6x φ3,5x12 mm p140
4x φ7x50 mm e1	1x z1	6x ko a44	6x D5 b19	16x φ5x17 mm d1	4x φ3,5x16 mm p38	2x φ8x50 mm f6
2x r10	2x φ3,5x13 mm p5	2x 350 w207/1	2x 350 w207/2	6x φ5x50 mm e32	6x φ6x13 mm e3	1x L-300 m6/1
1x 81x21 n14	4x M4x12 mm j45 <sup>1</sup>	2x j45 <sup>2</sup>				1x

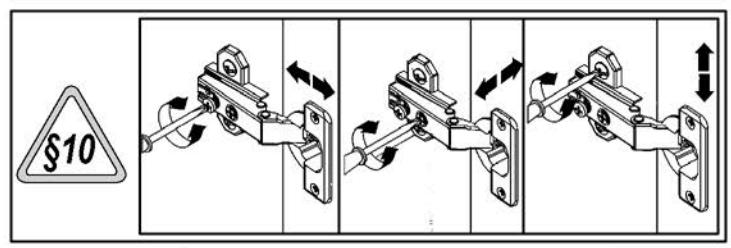
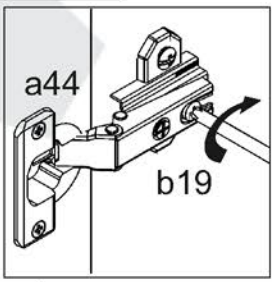
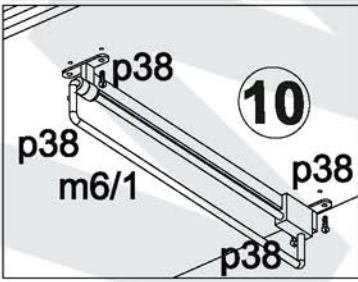
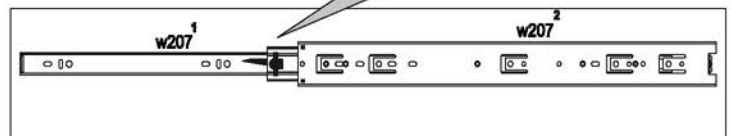
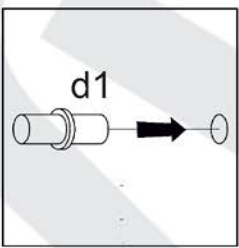
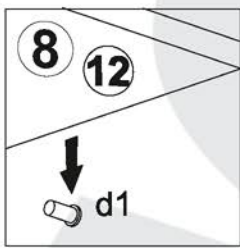
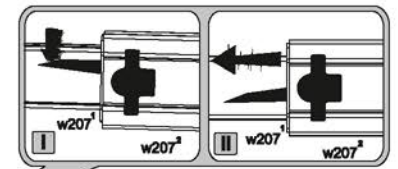
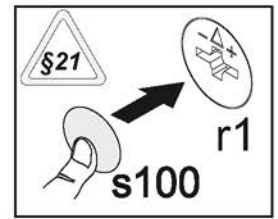
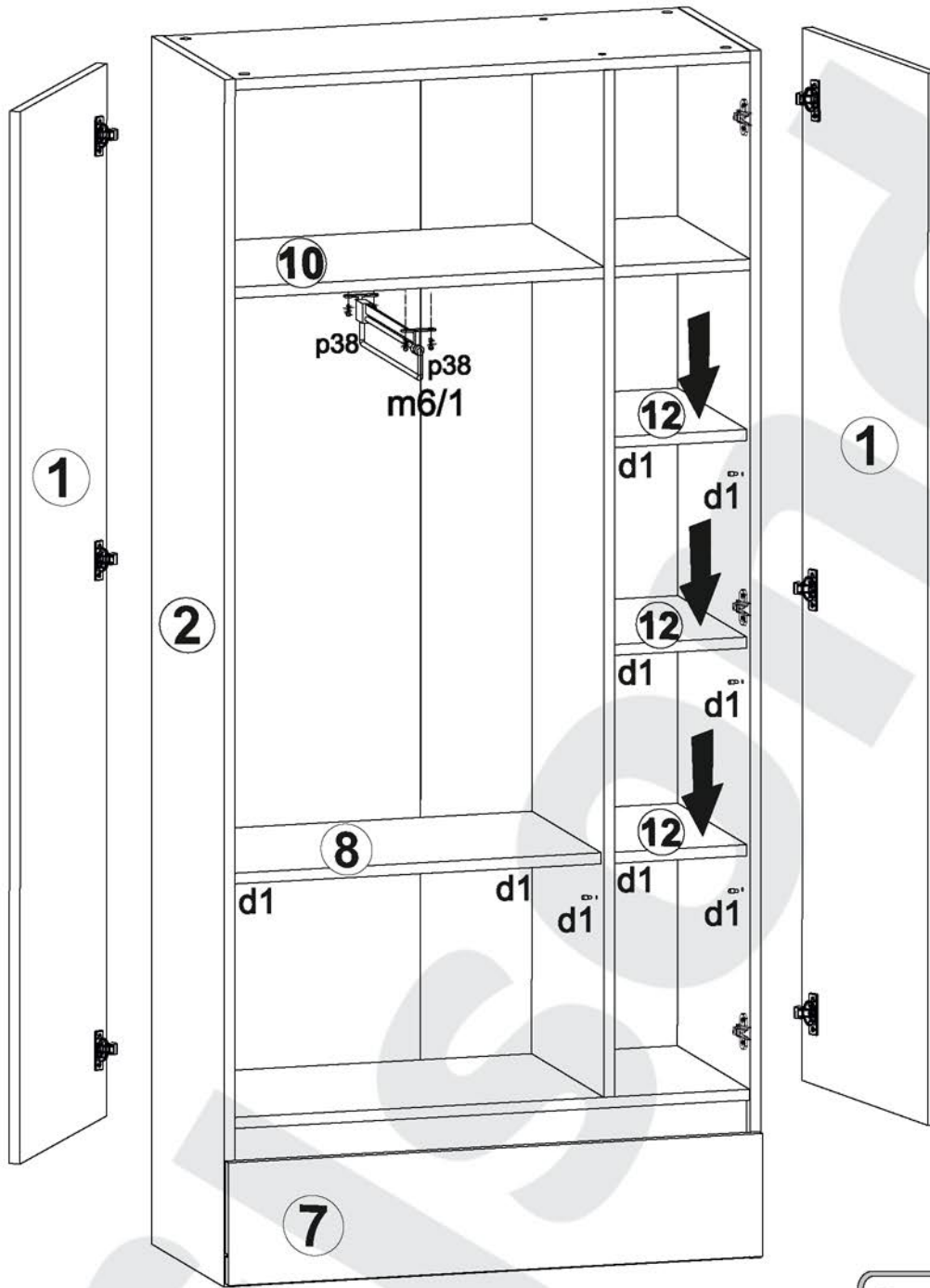






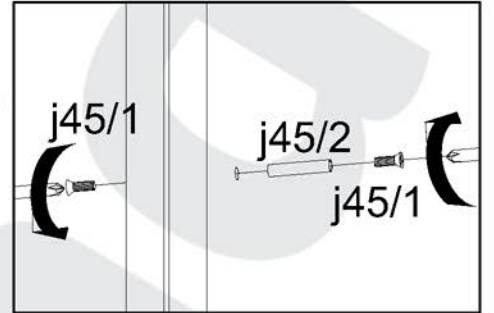
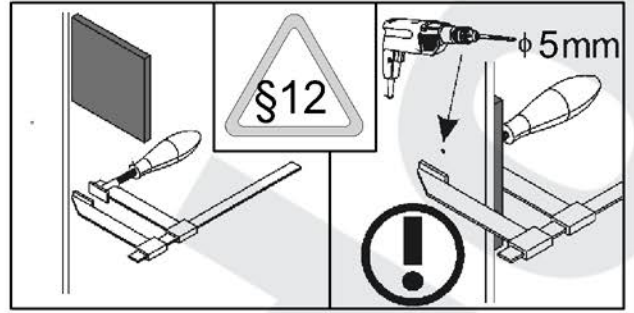


6

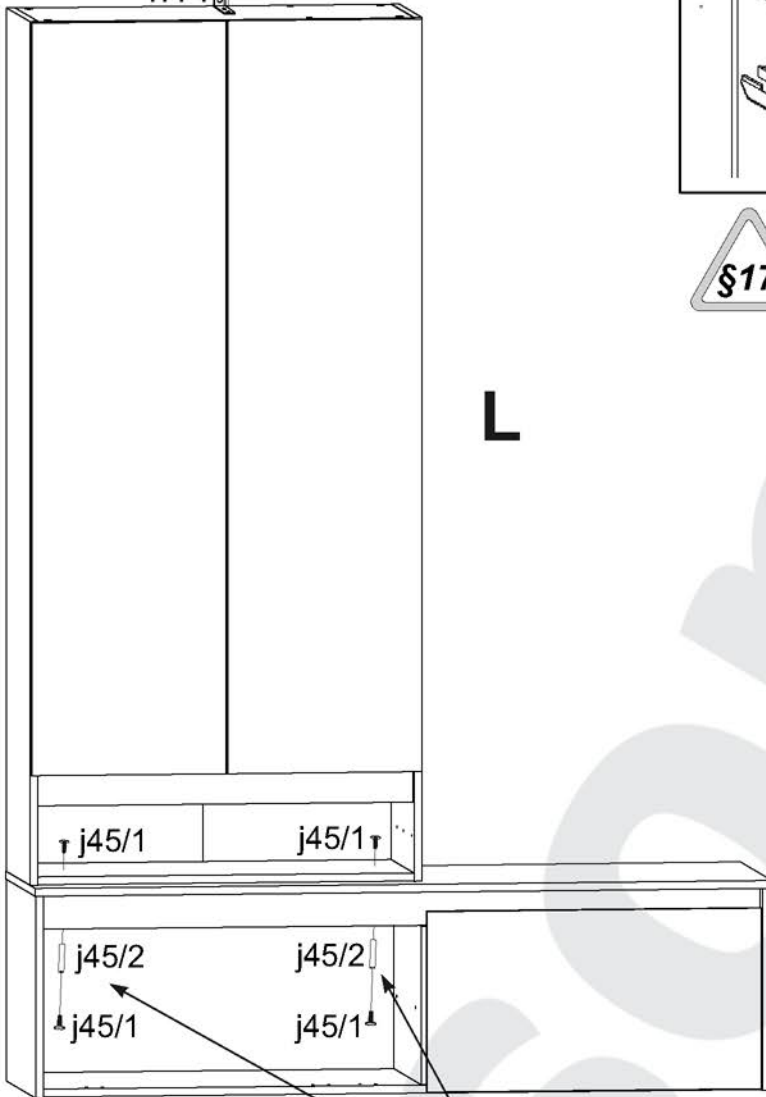


7

p5  
n14 p5



L



p5  
n14 p5

R

