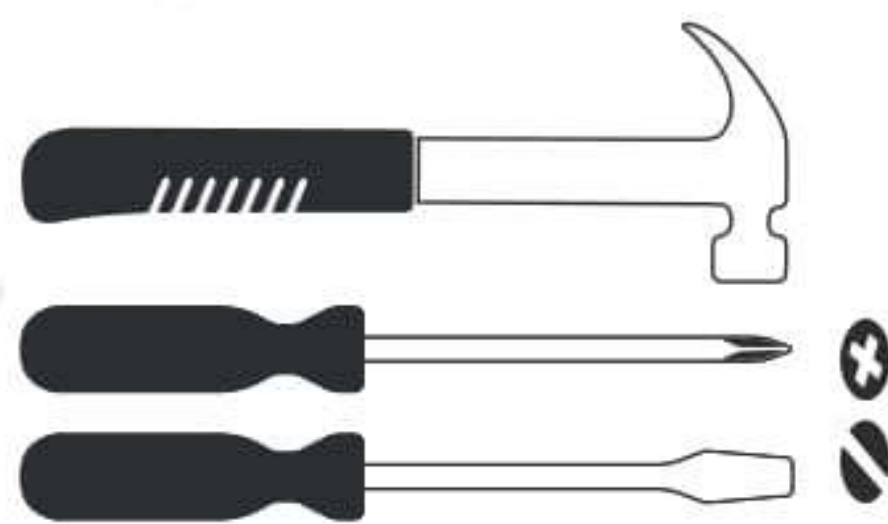
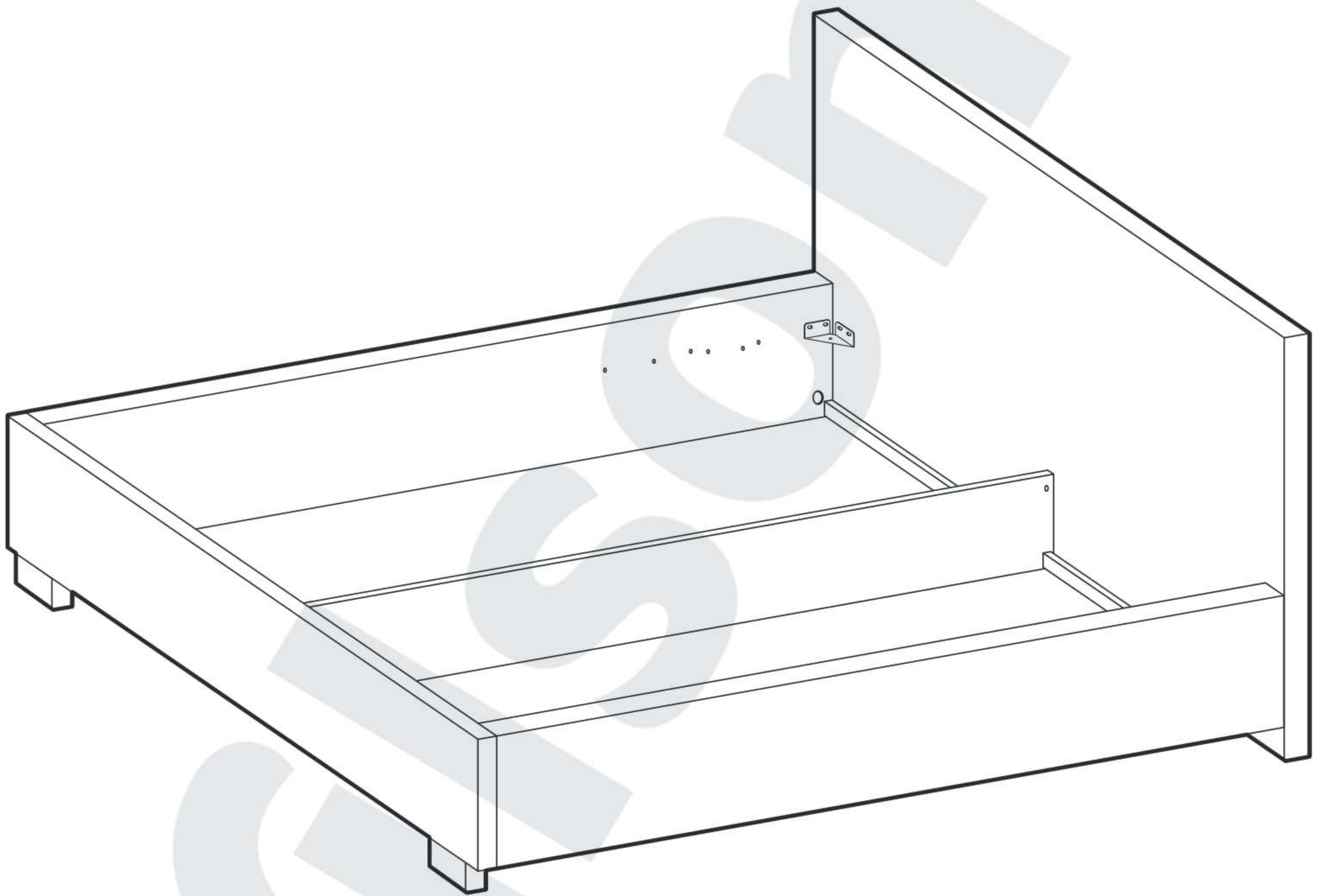
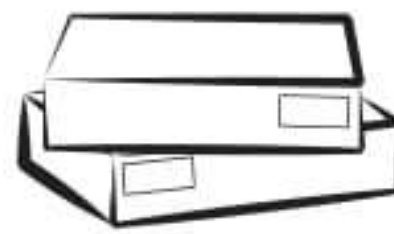
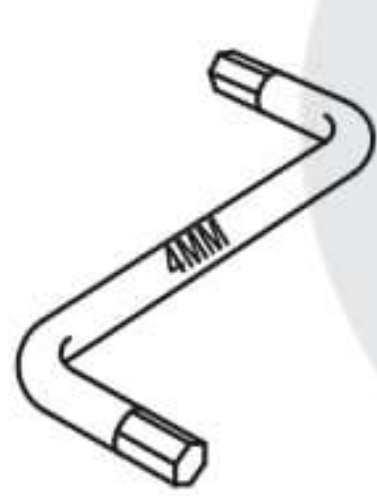
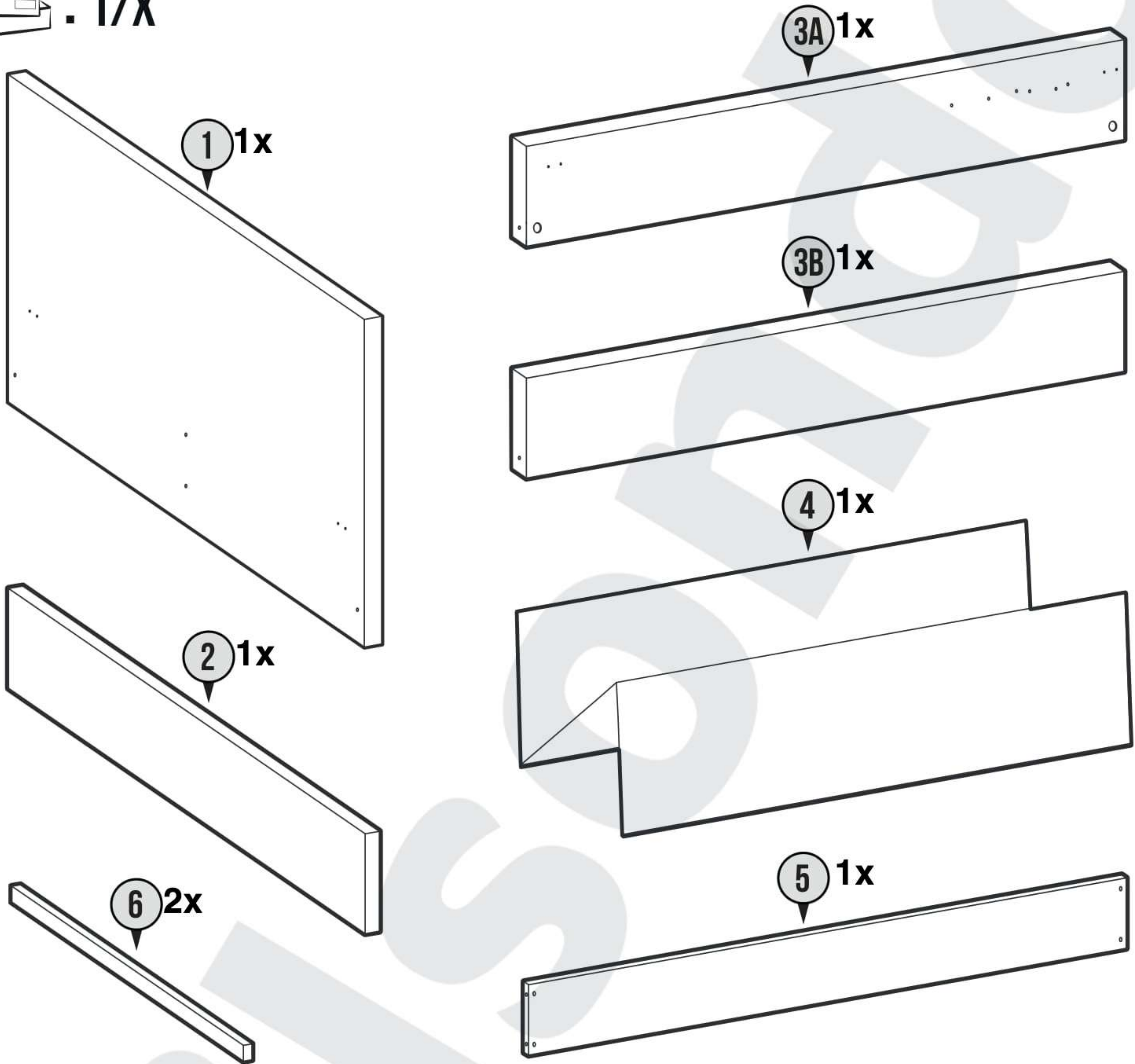


# APOLLO/LUCERNA



# APOLLO/LUCERNA

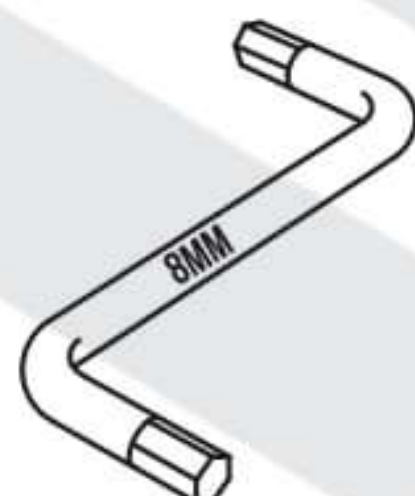
 : 1/X



**B1-1x**



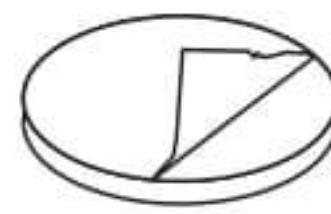
**B2-1x**



**B3-1x**



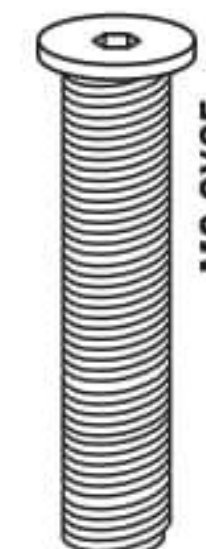
**G-12x**



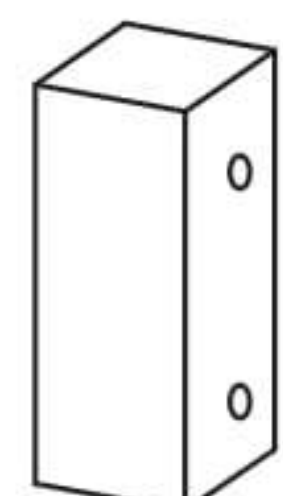
**H-8x**



**J2-4x**



**K1-24x**



**N-2x**



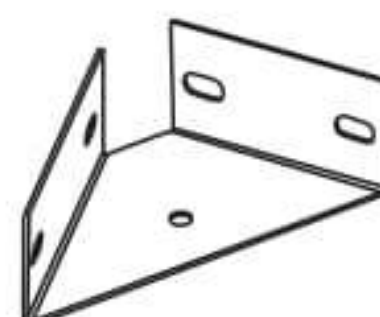
**T-130x**



**U1-4x**



**U2-4x**



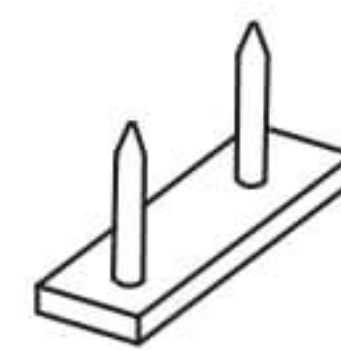
**X4-4x**



**Y1-4x**



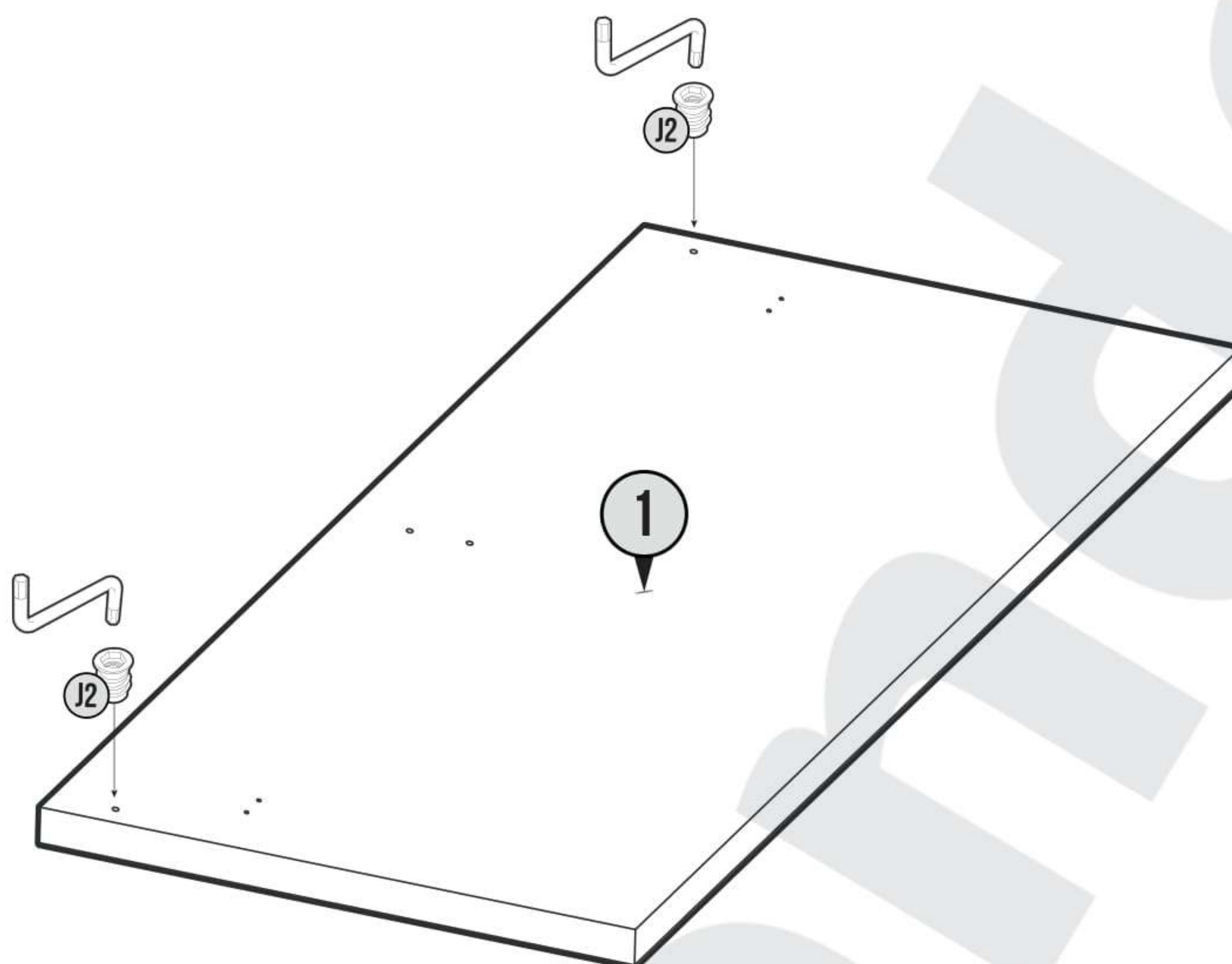
**Y2-4x**



**Z-2x**

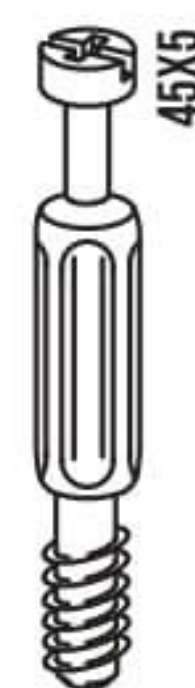
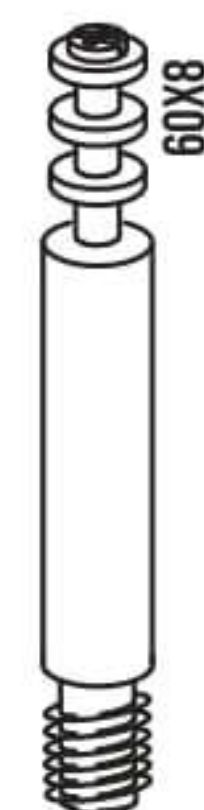
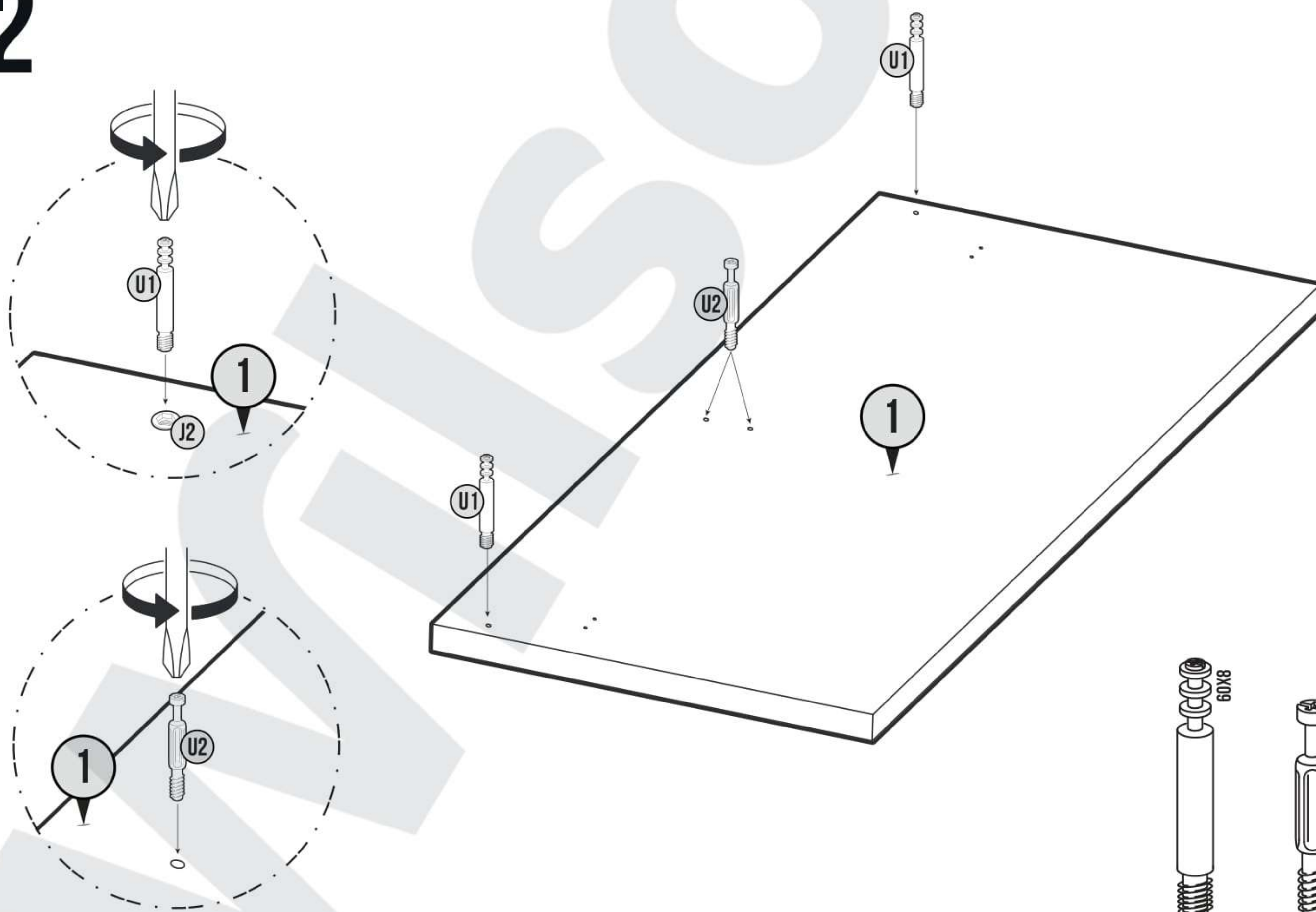
# APOLLO/LUCERNA

1



J2-2x

2

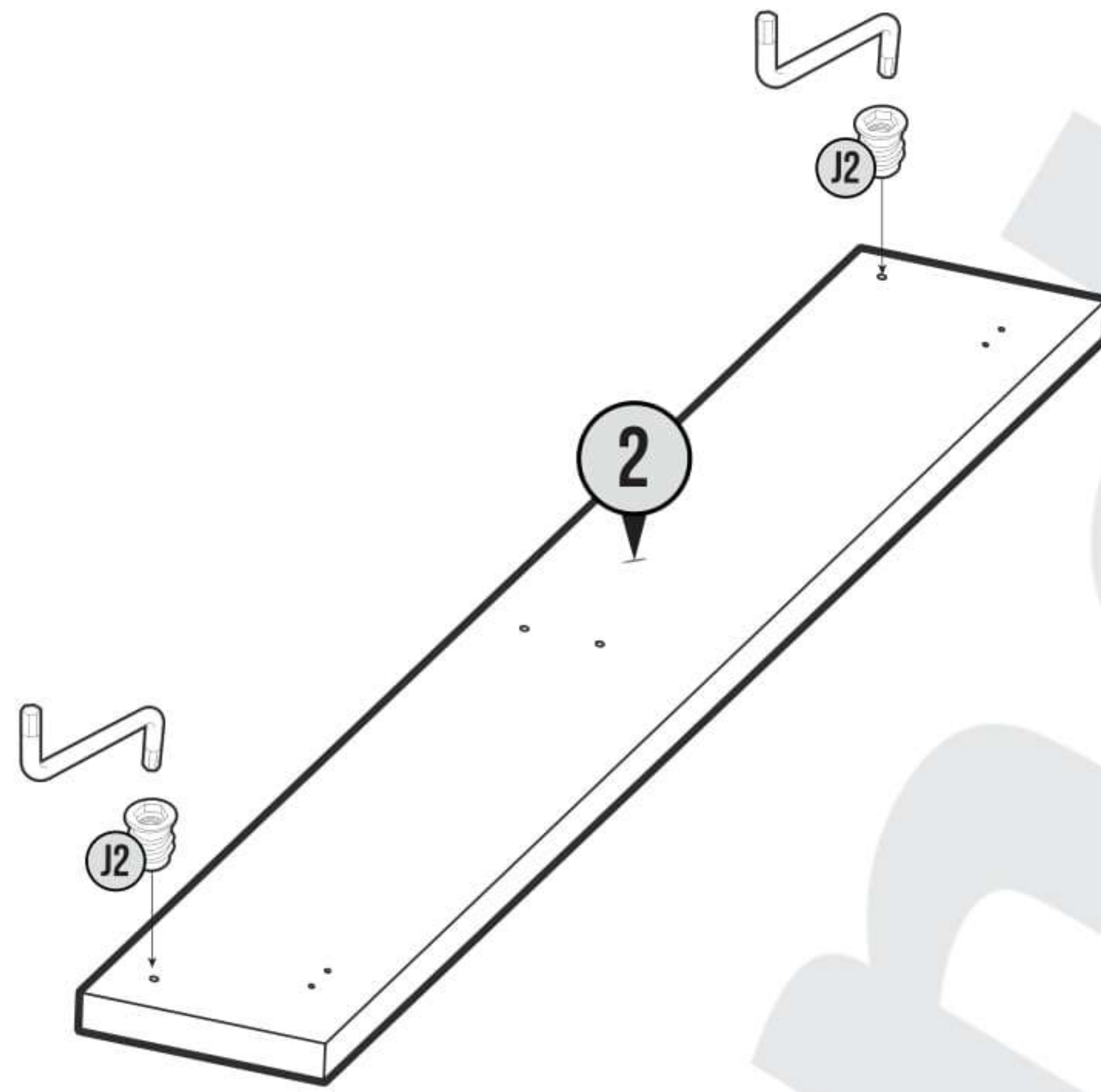


U1-2x U2-2x

3/8

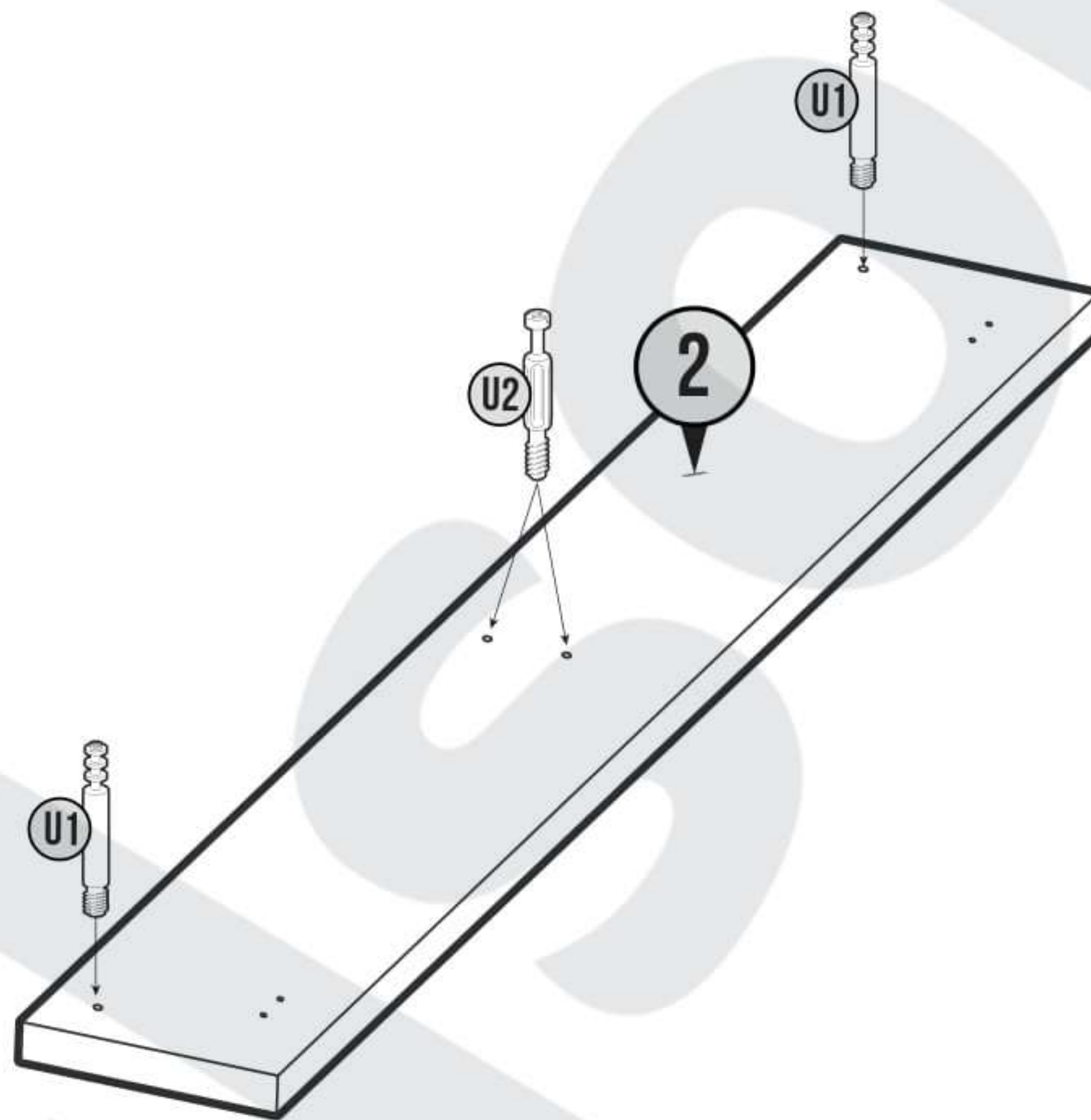
# APOLLO/LUCERNA

3



J2-2x

4



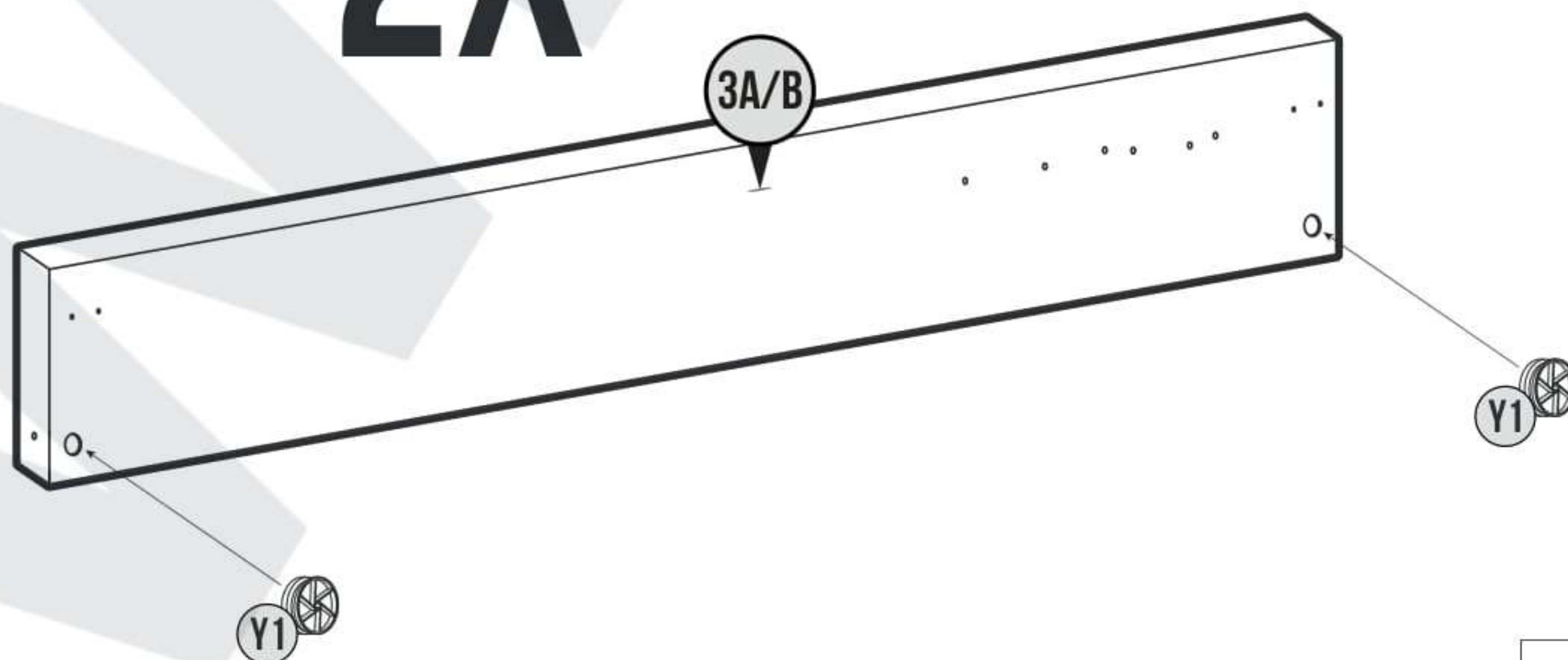
U1-2x



U2-2x

5

2X

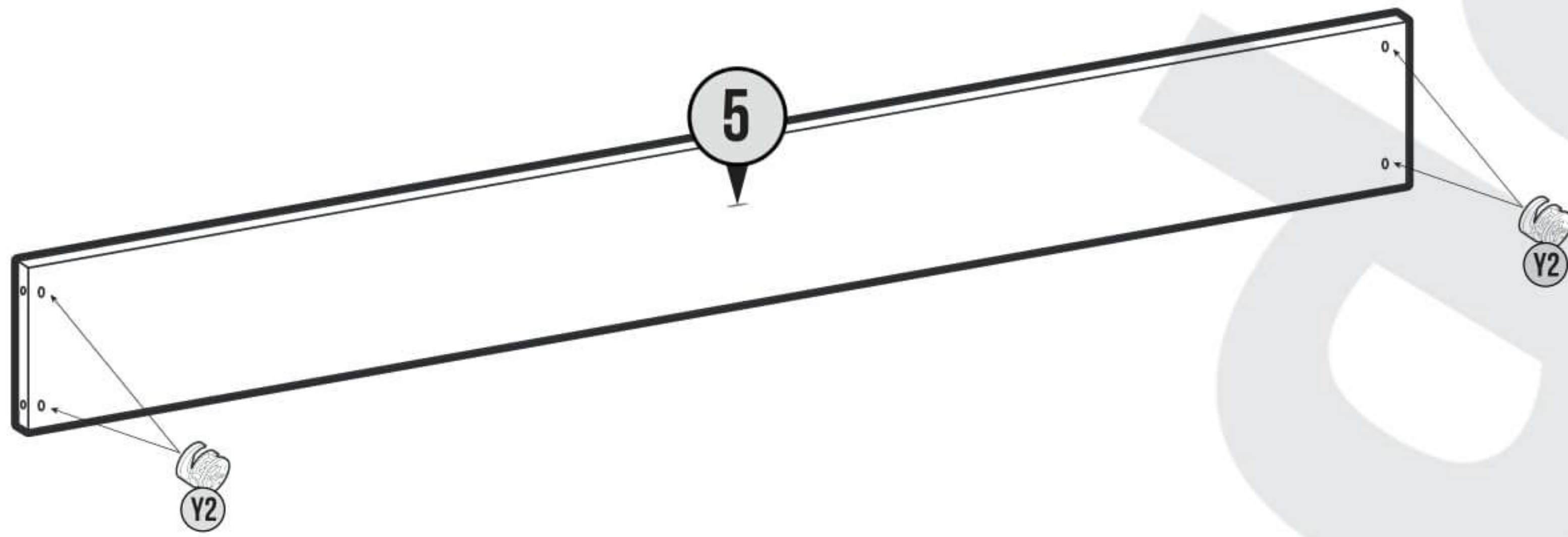


Y1-4x

4/8

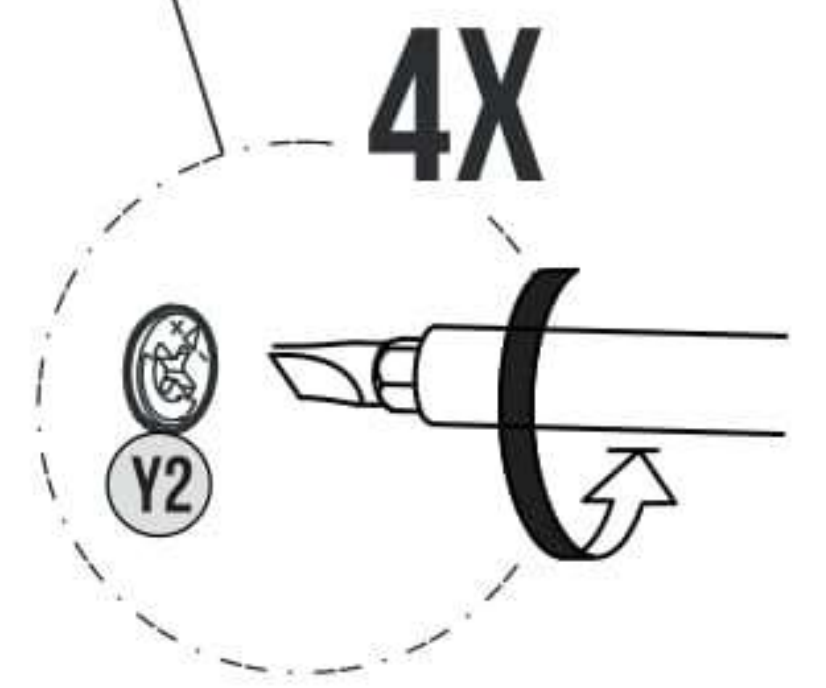
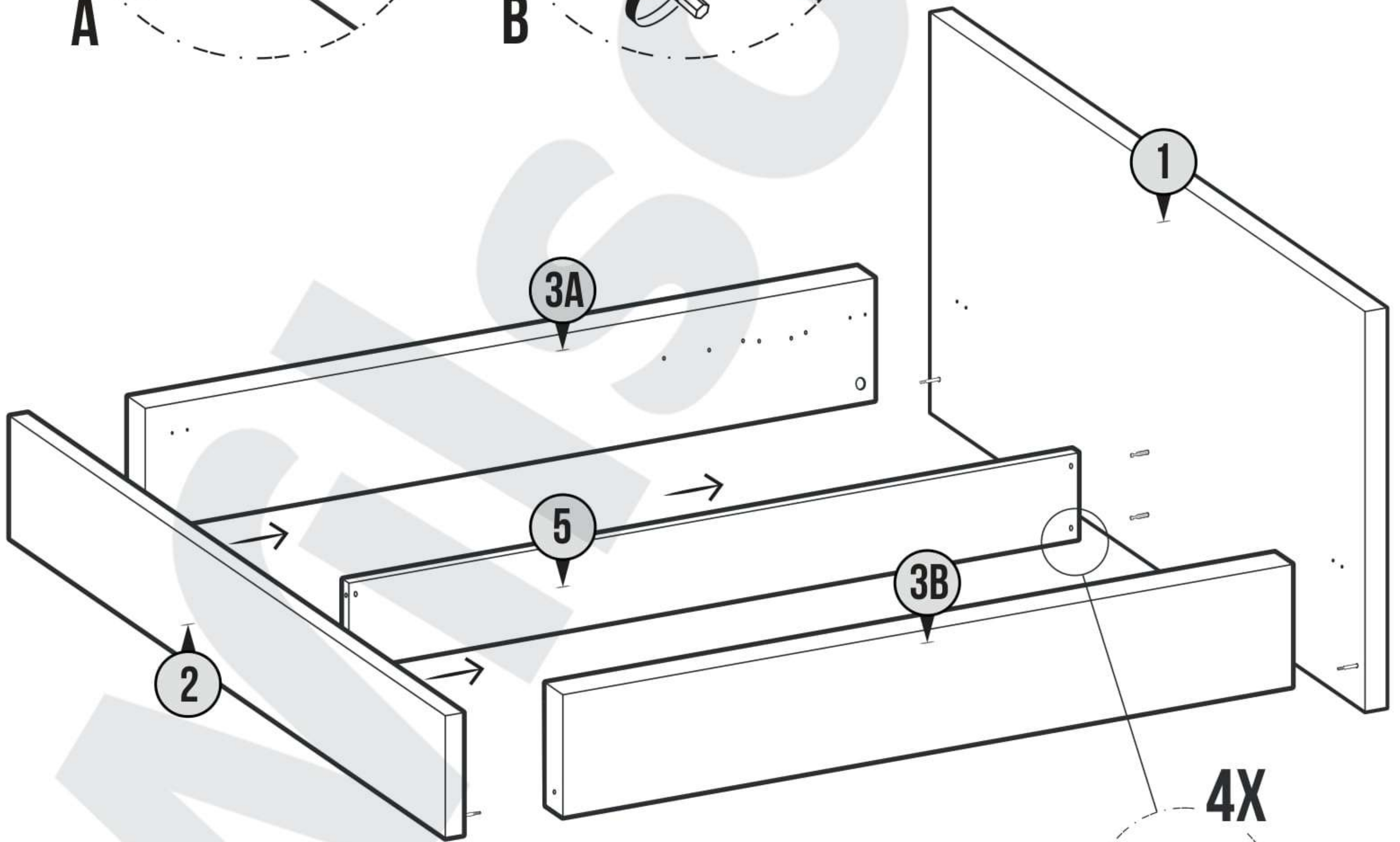
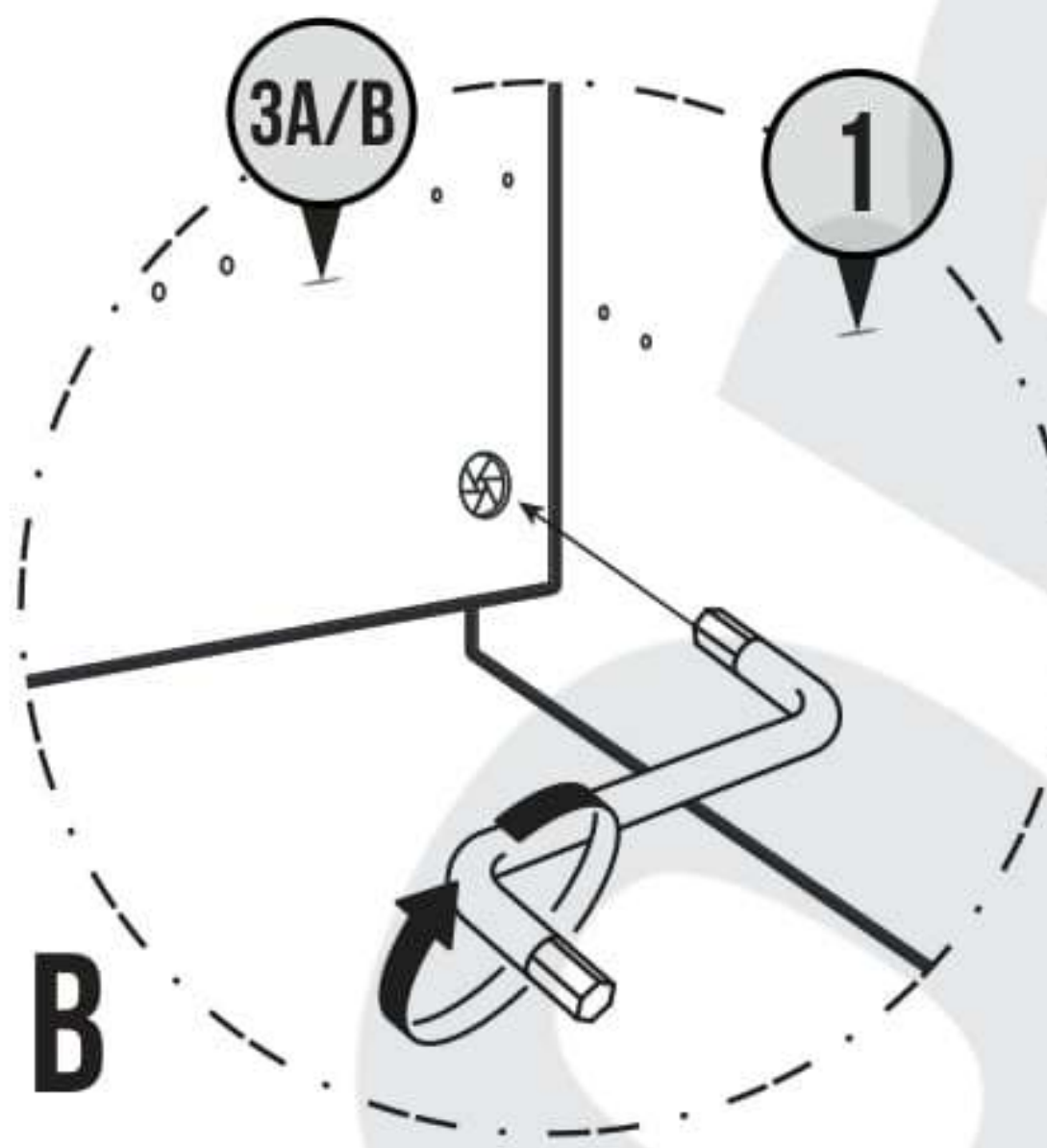
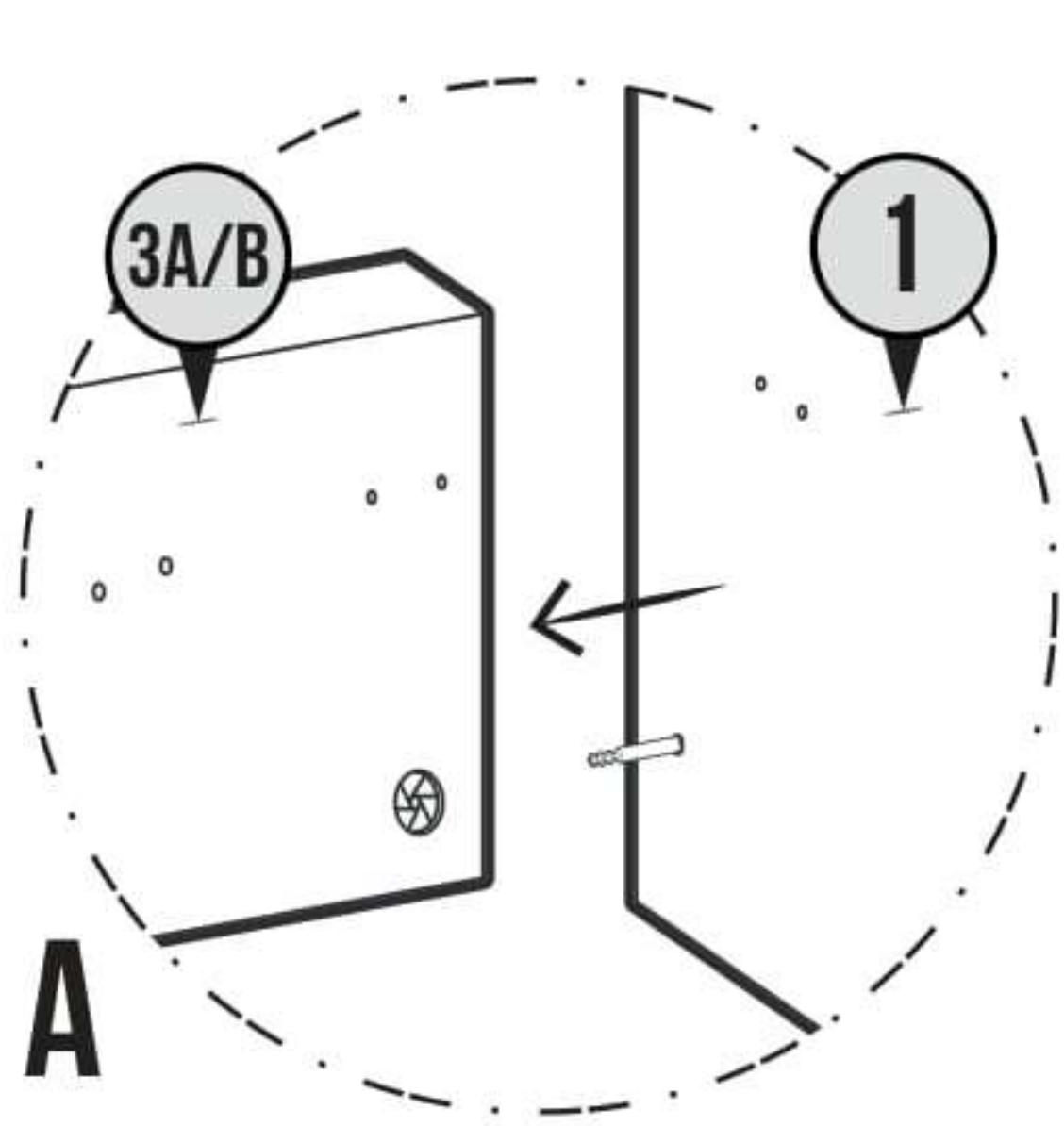
# APOLLO/LUCERNA

6



Y2-4x

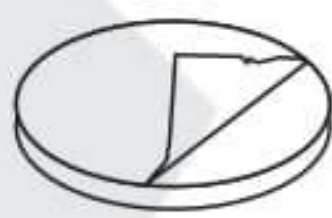
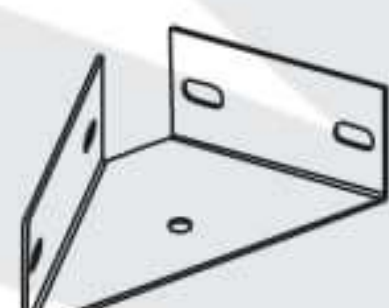
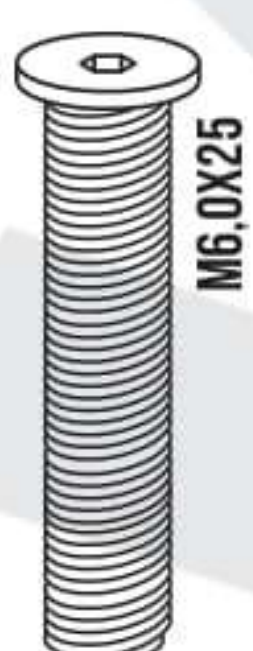
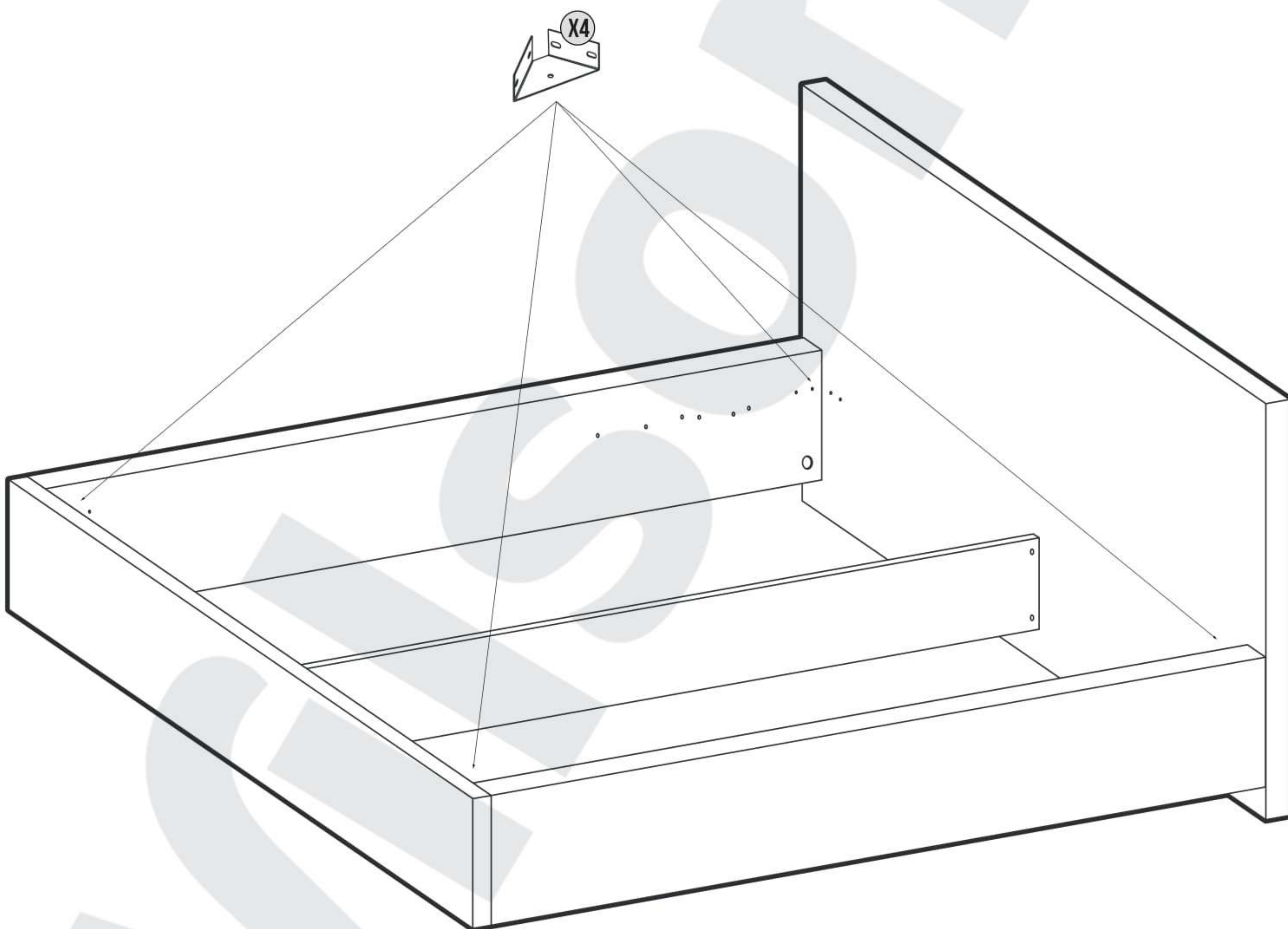
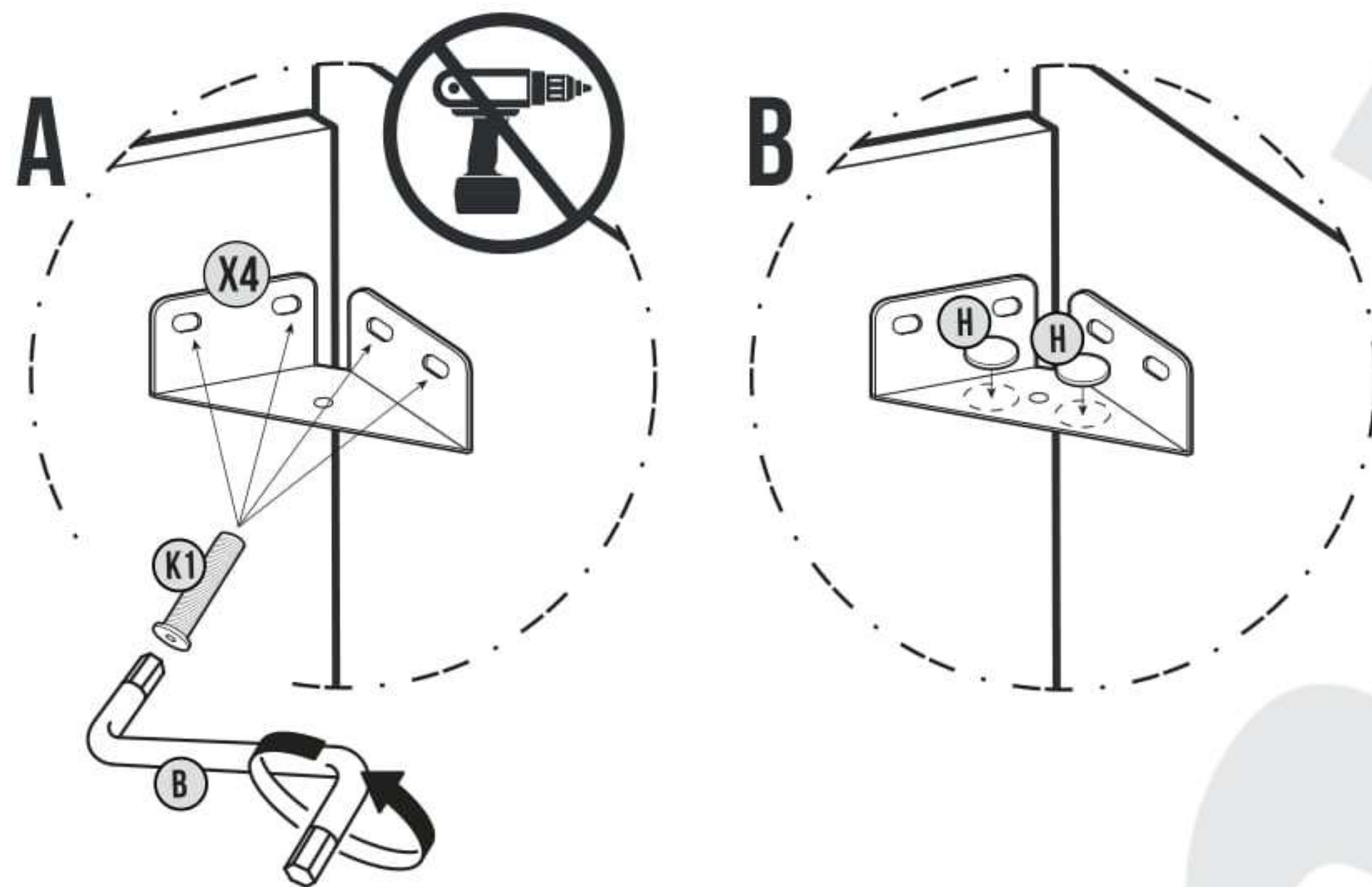
7



# APOLLO/LUCERNA

8

4X



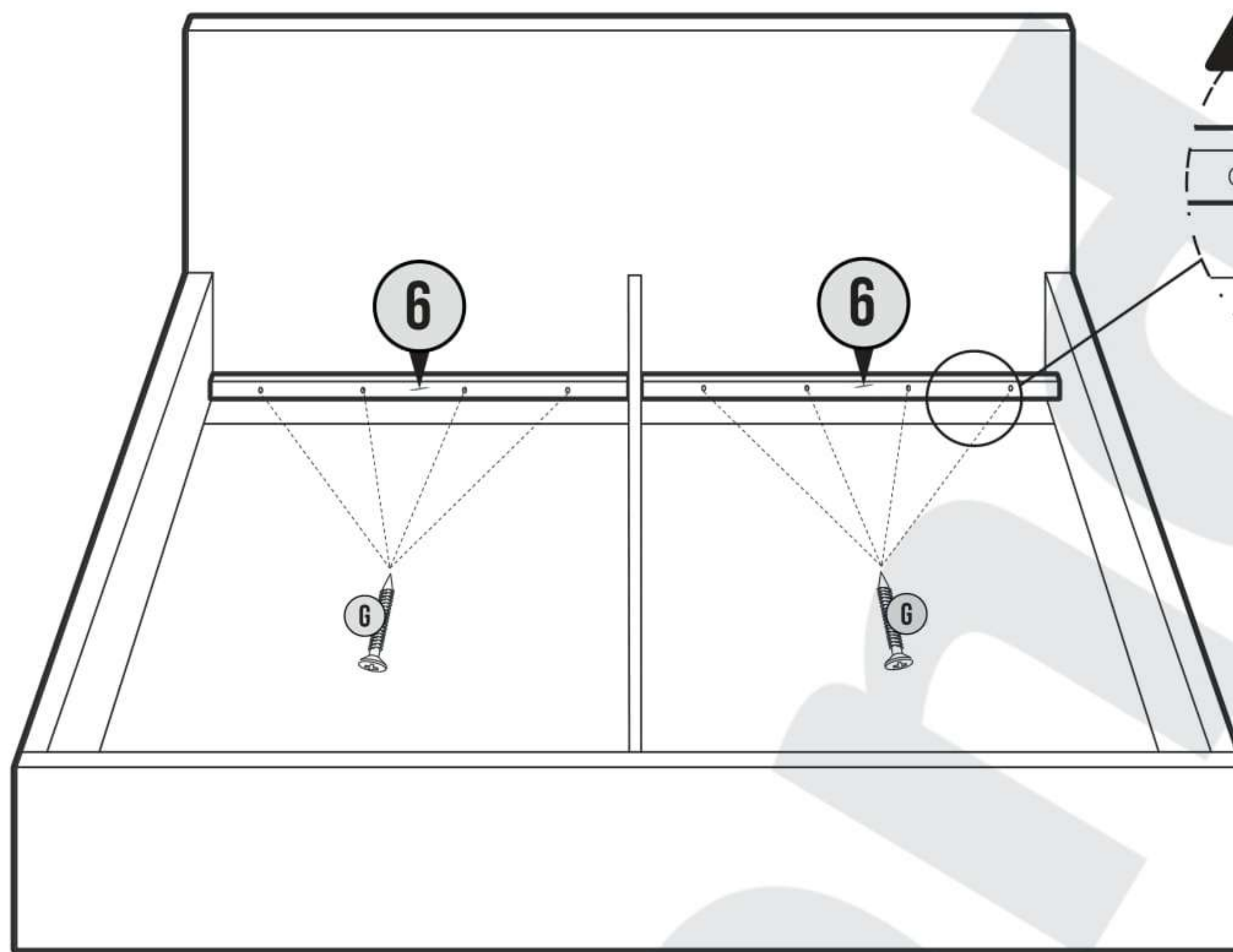
K1-16x

X4-4x

H-8x

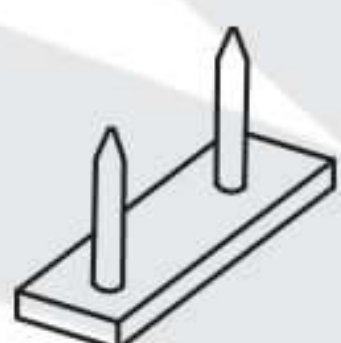
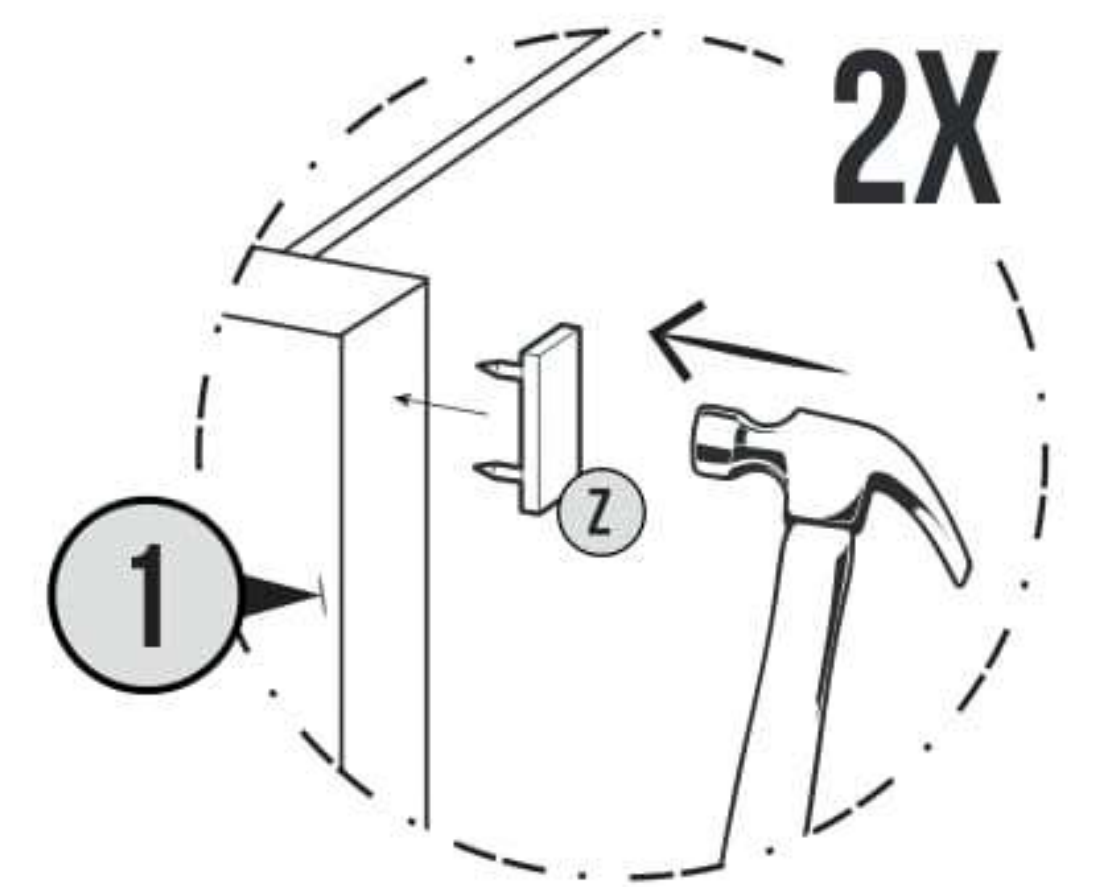
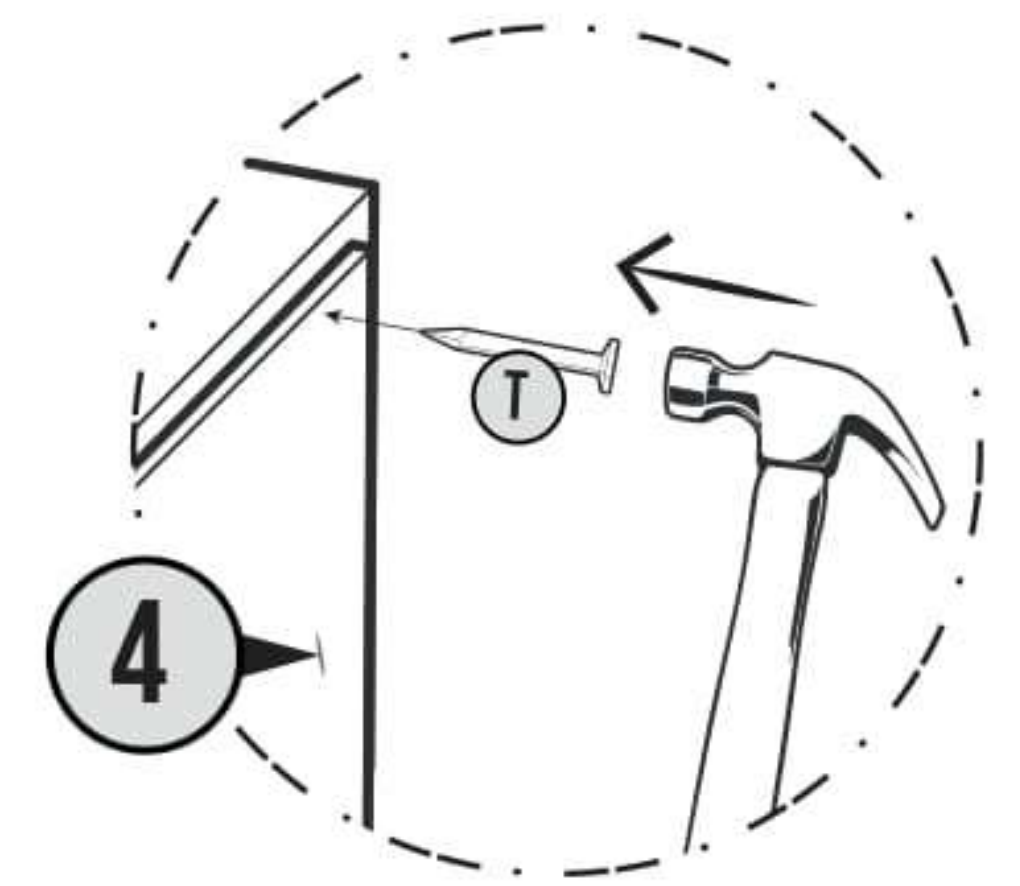
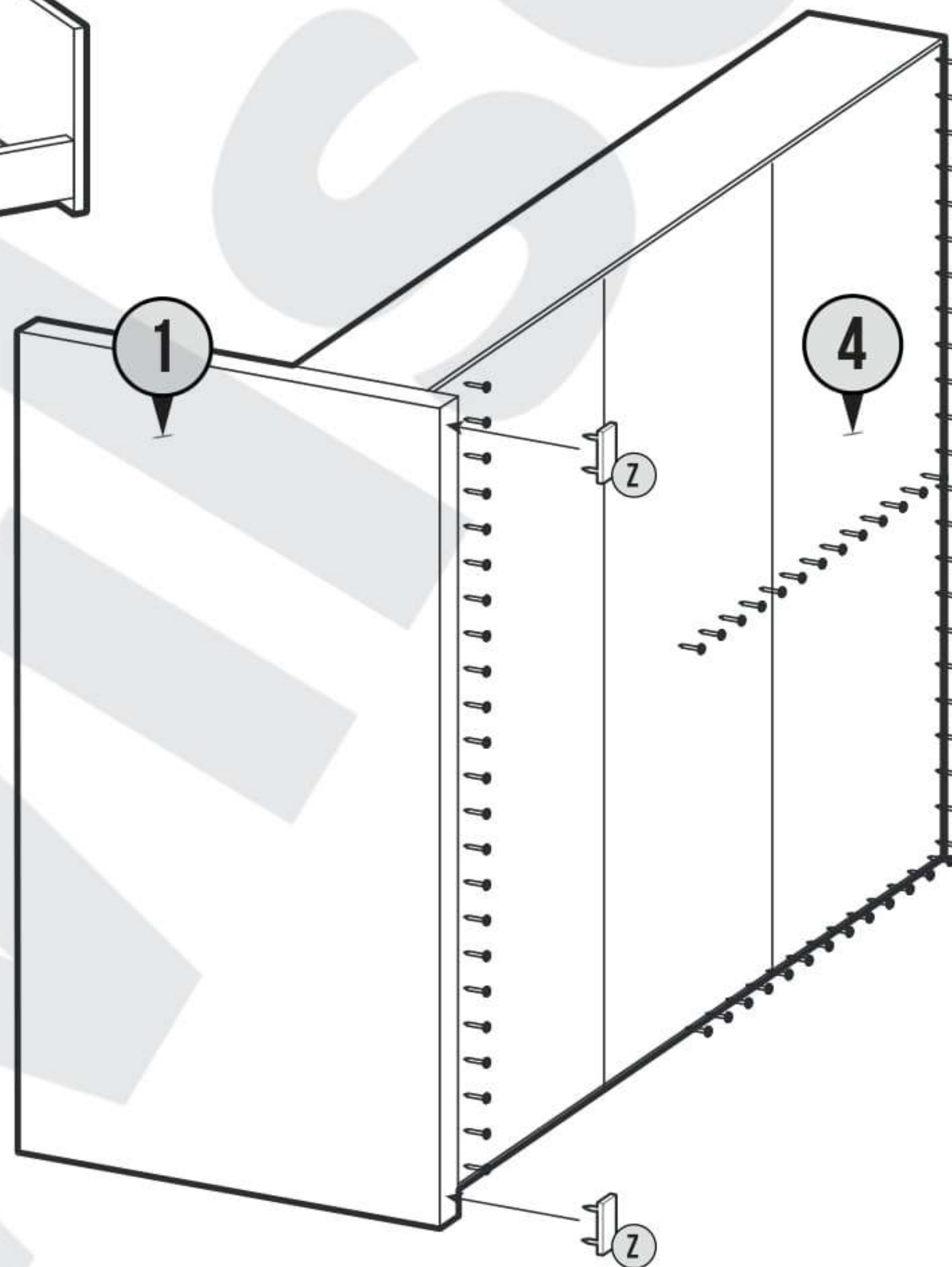
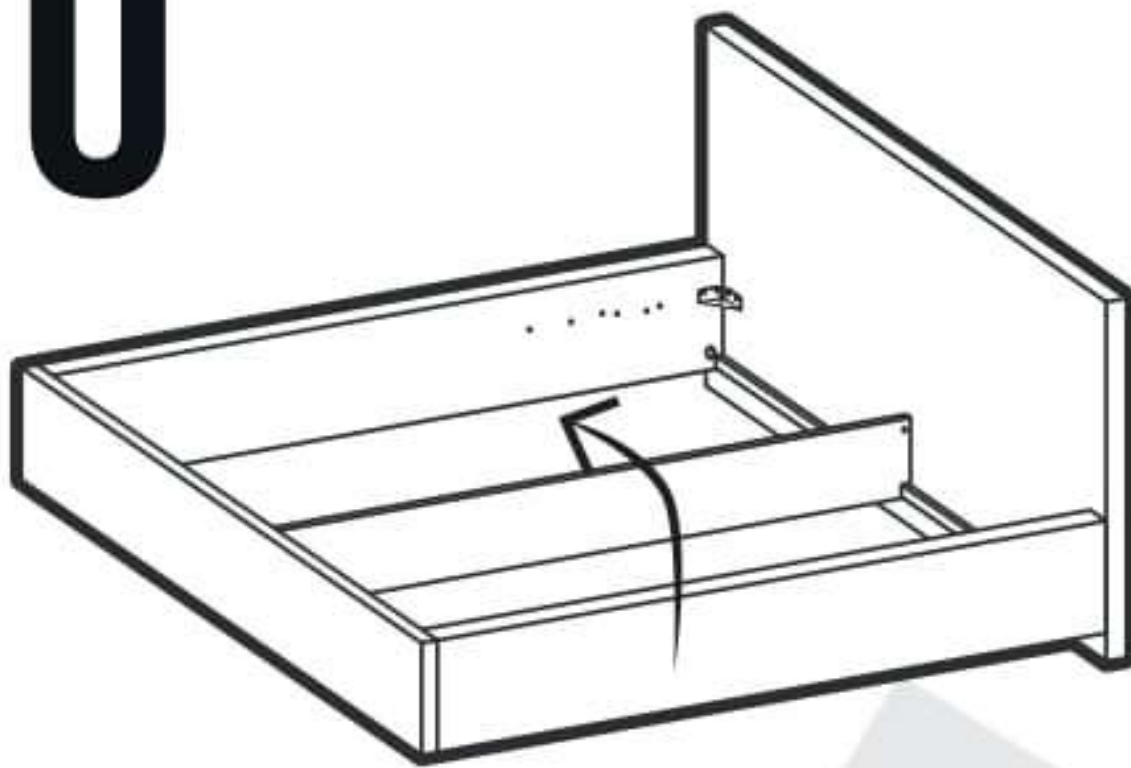
# APOLLO/LUCERNA

## 9



G-8x

## 10



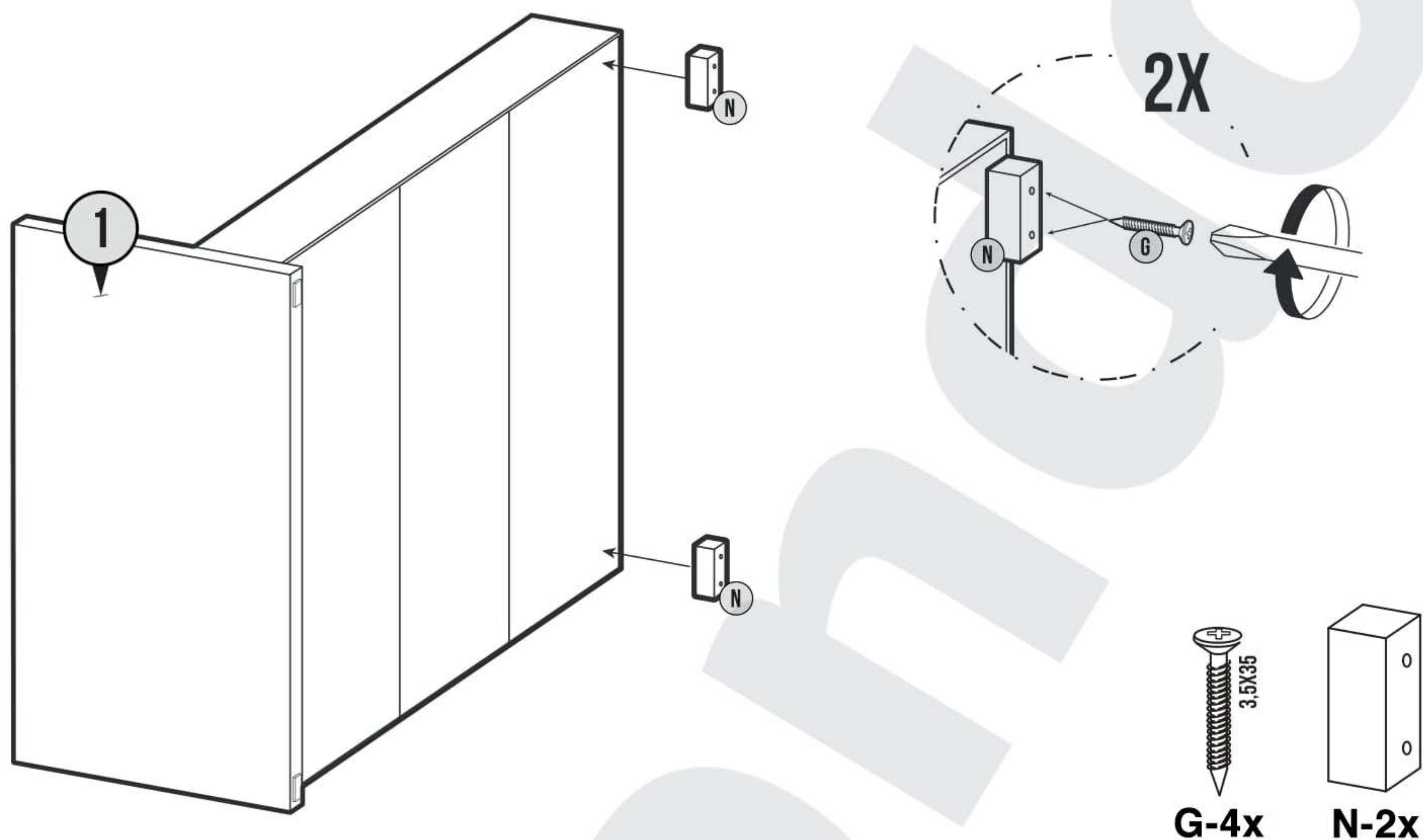
T-130x

Z-2x

7/8

# APOLLO/LUCERNA

## 11



## 12

