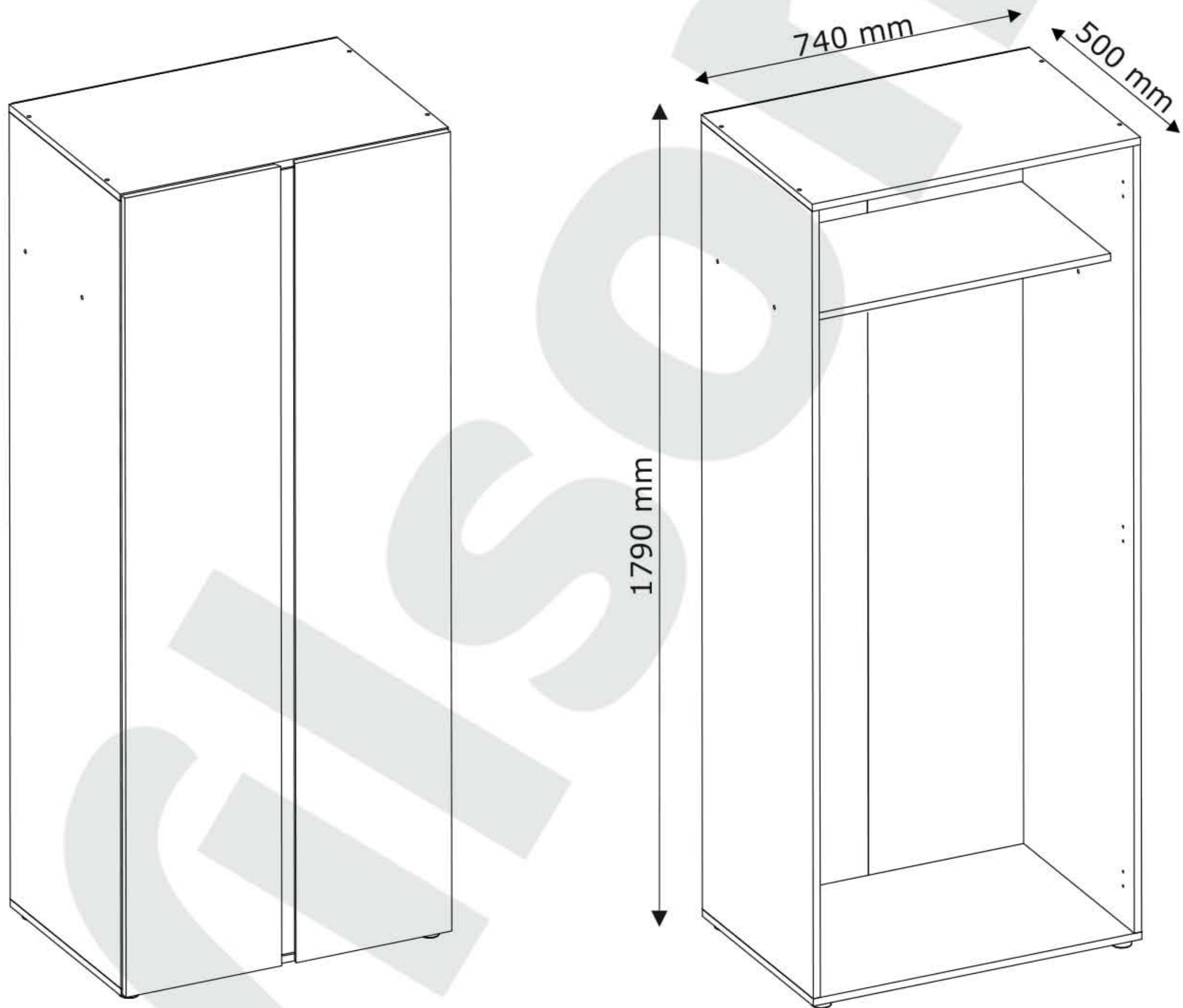
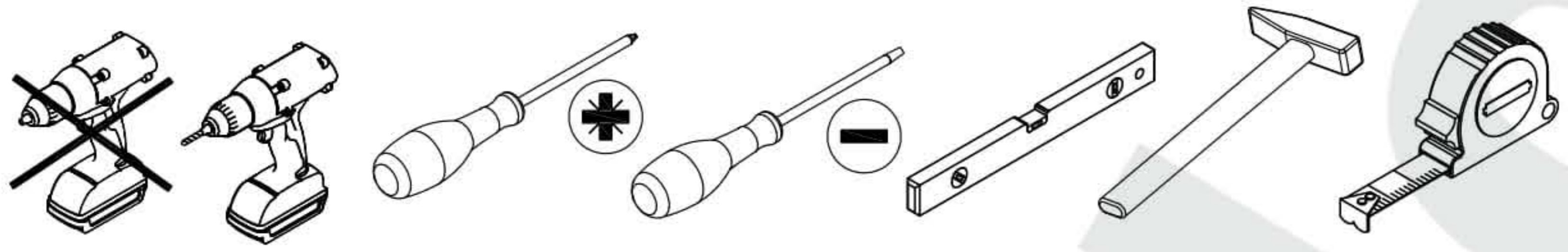
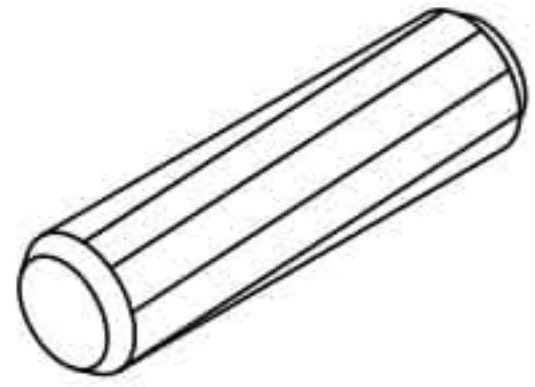


Basic Plus 2D



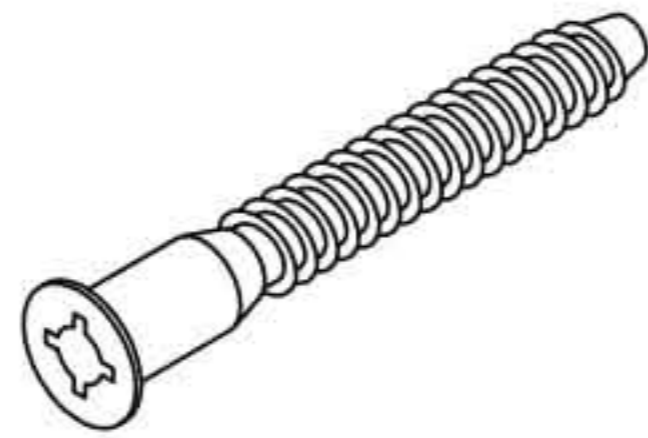


A x 16



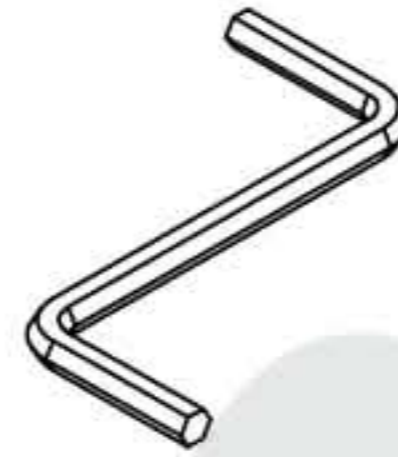
Ø8x35 mm

B x 12



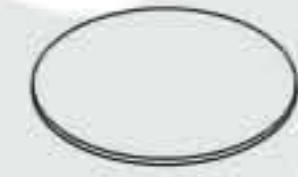
Ø7x50 mm

E x 1



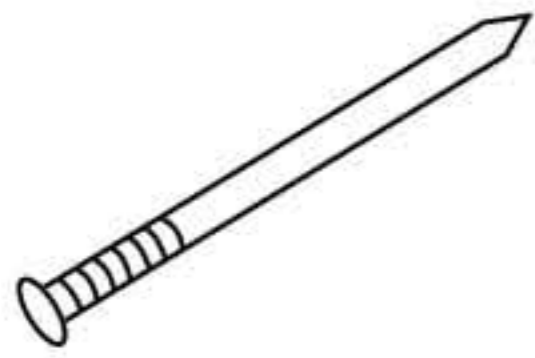
● 4 mm

F x 10



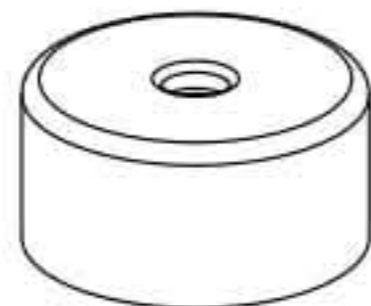
20 mm

G x 44

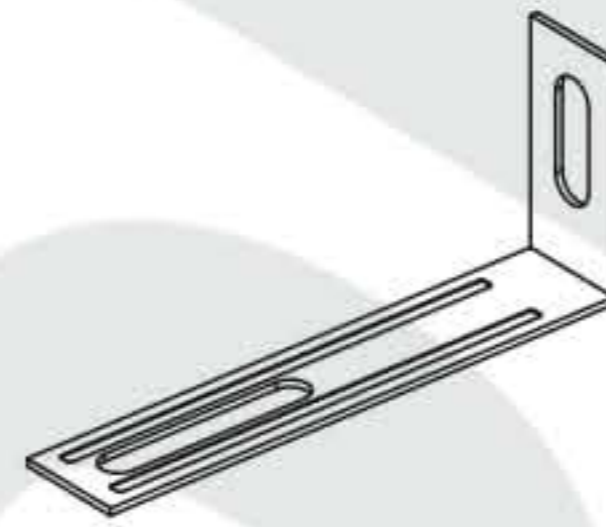


1,2x25 mm

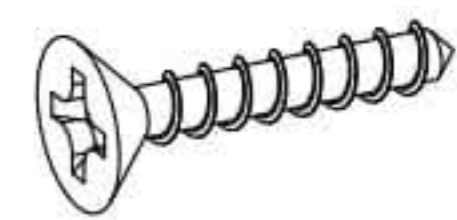
G4 x 4



I x 1



J x 15



3,5x16 mm

J6 x 14

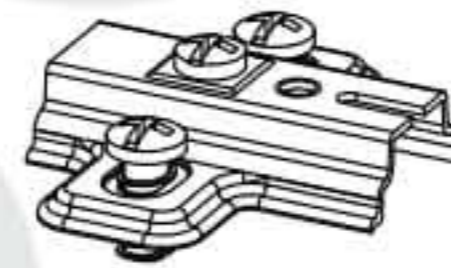


4x30 mm

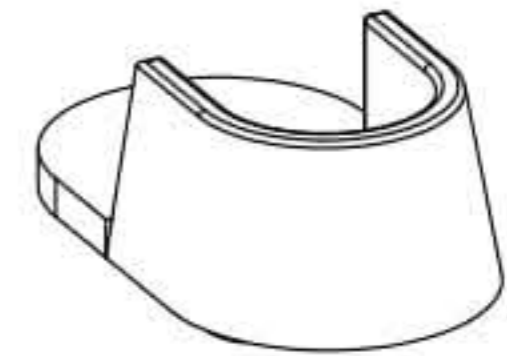
R1 x 6



S x 6



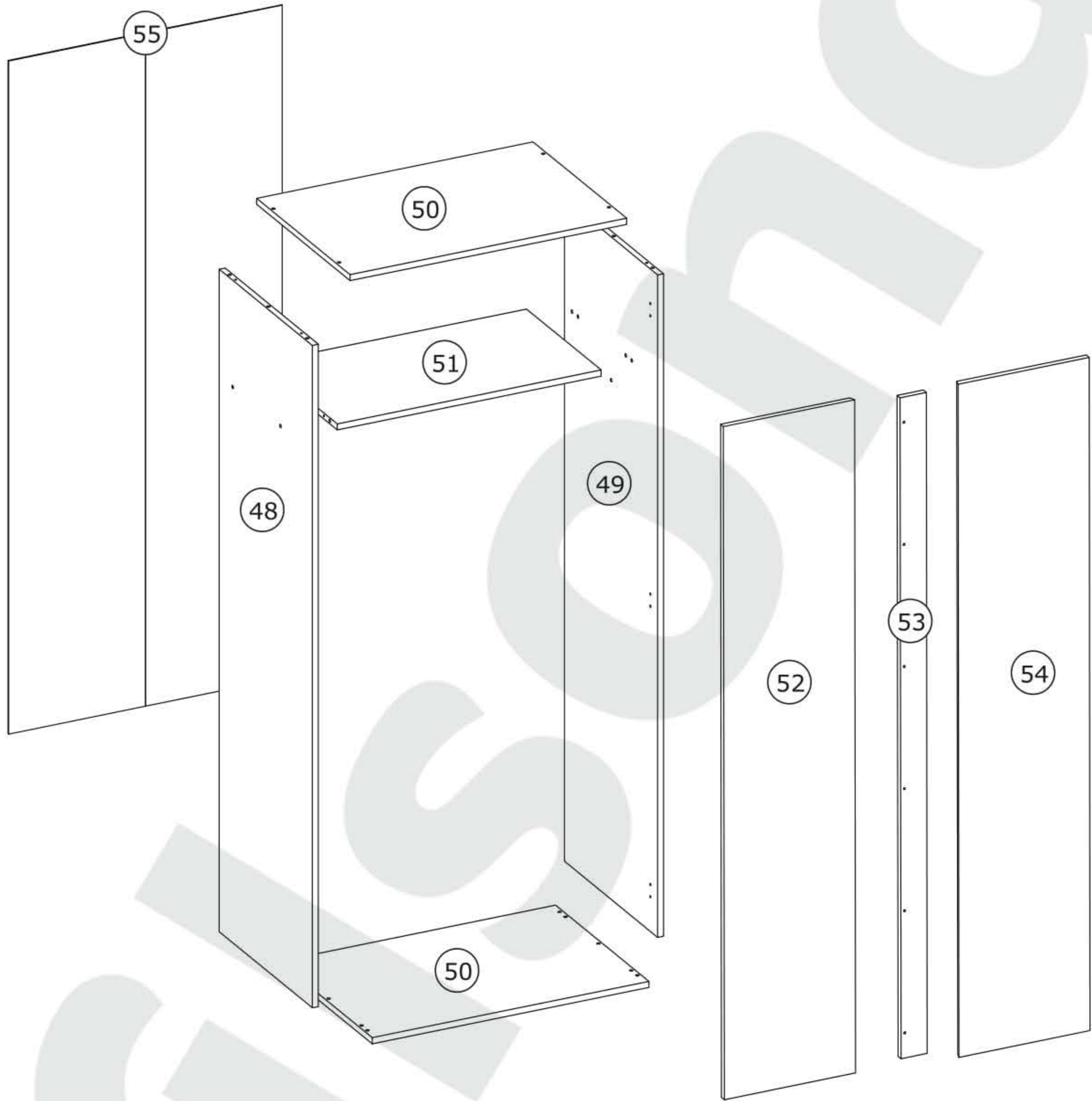
AD1 x 2



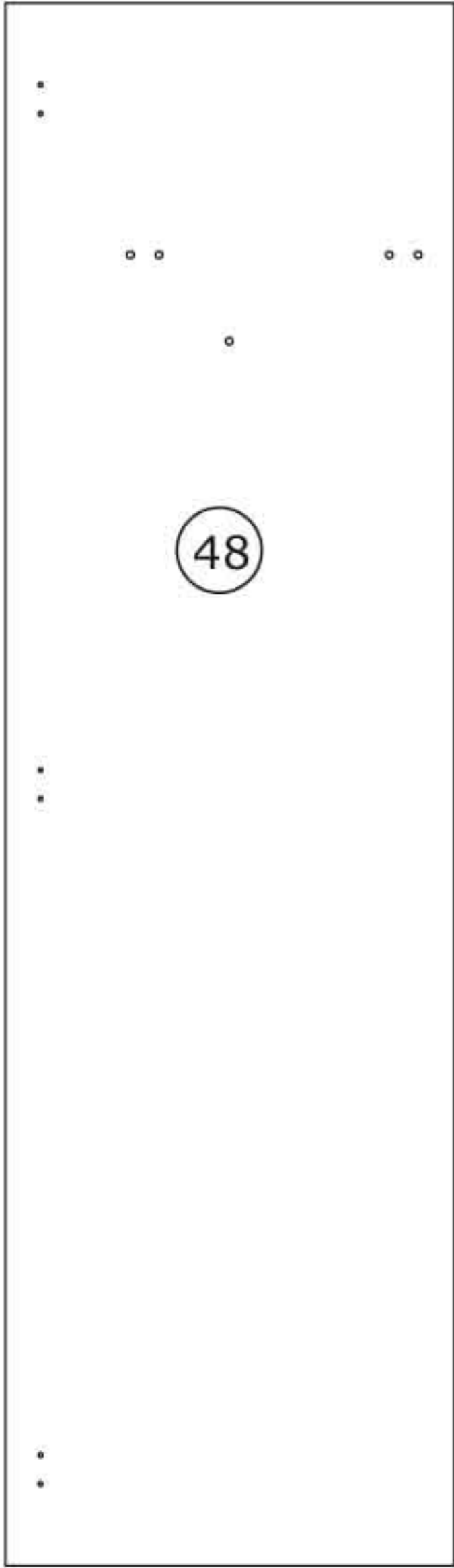
AE x 1



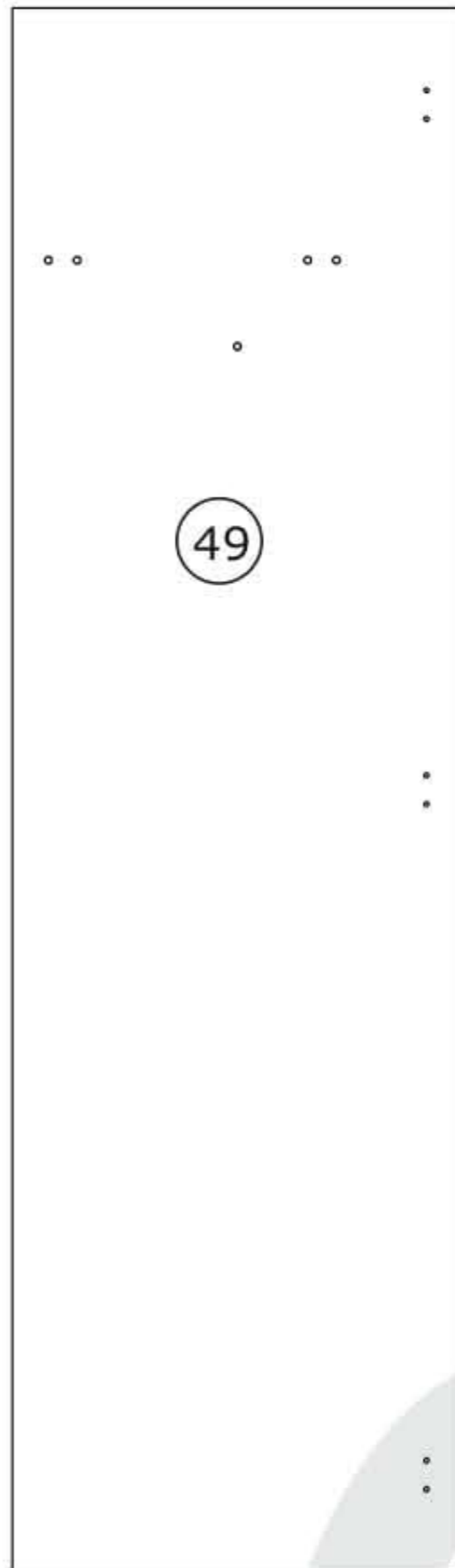
700 mm



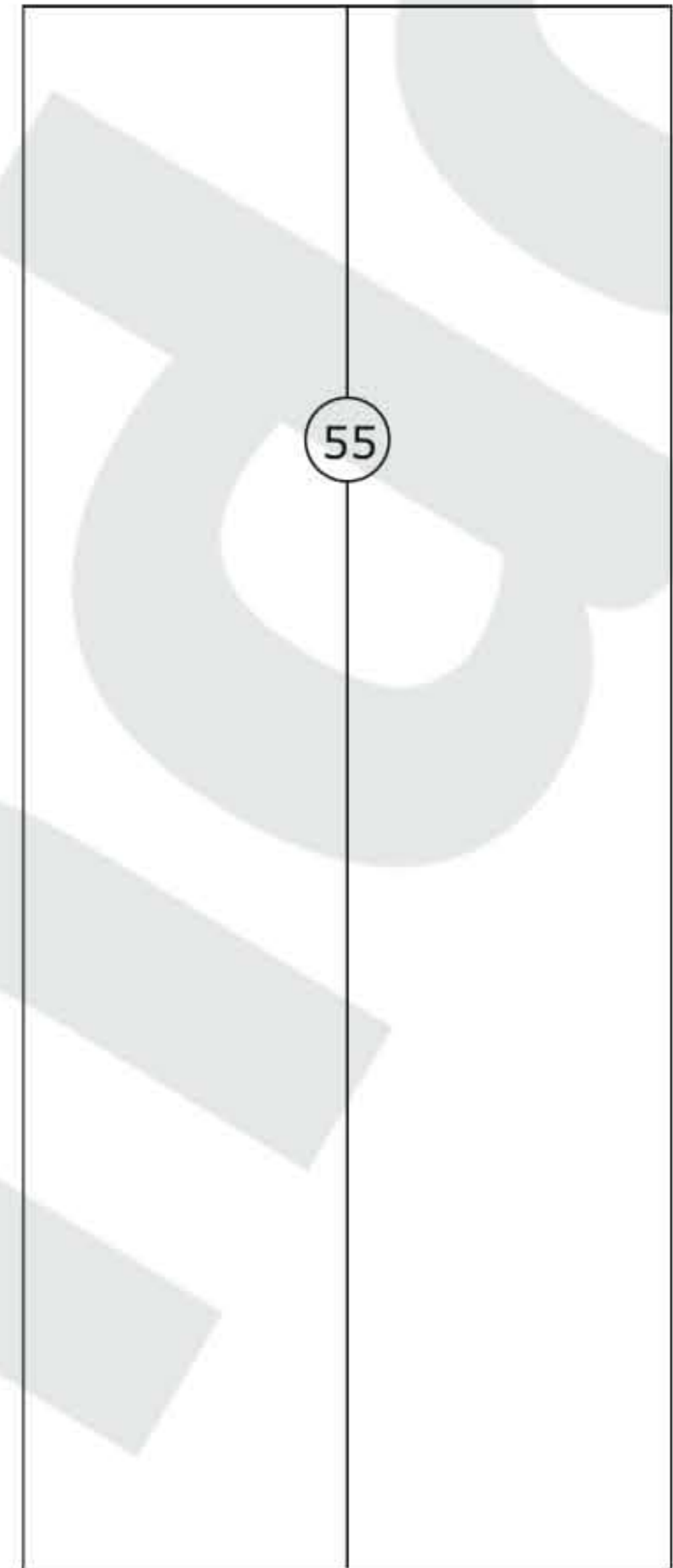
BOX 1/1:



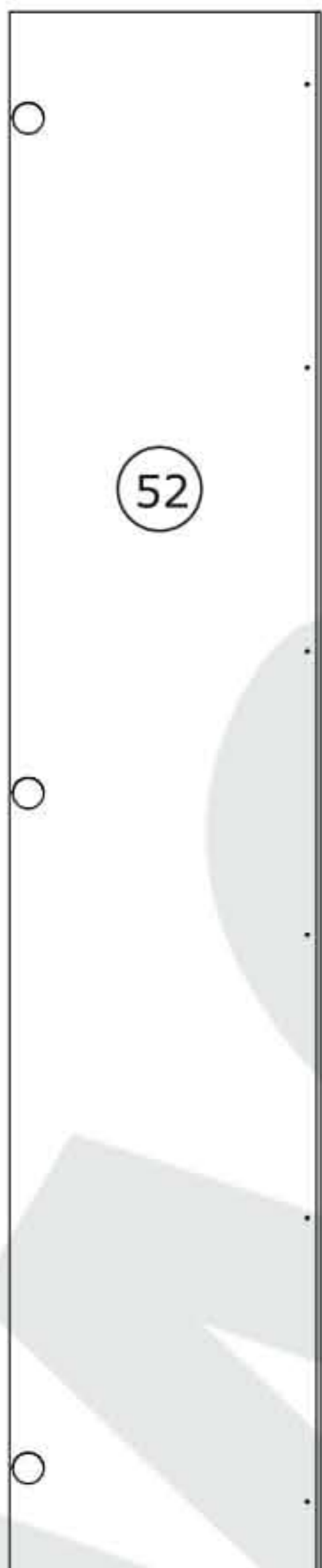
1738x499x16 mm



1738x499x16 mm



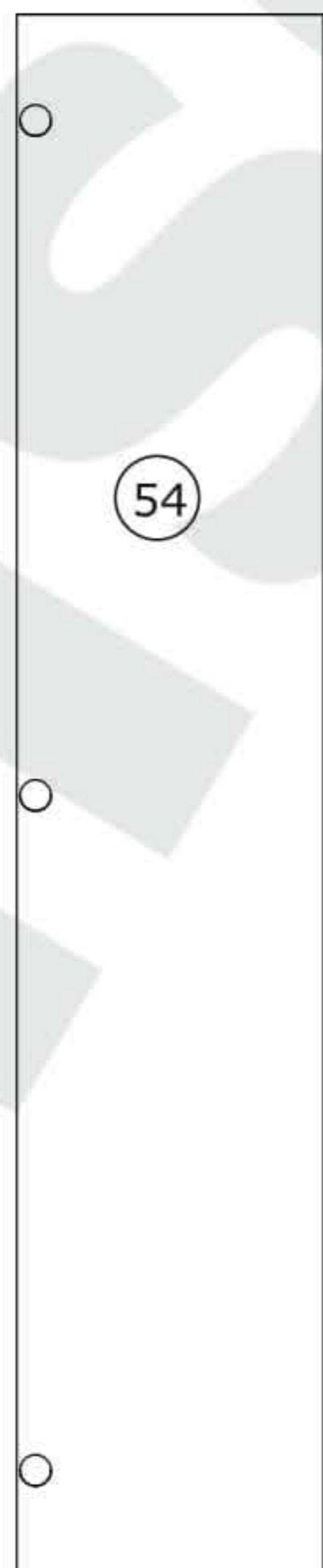
1766x732x3 mm



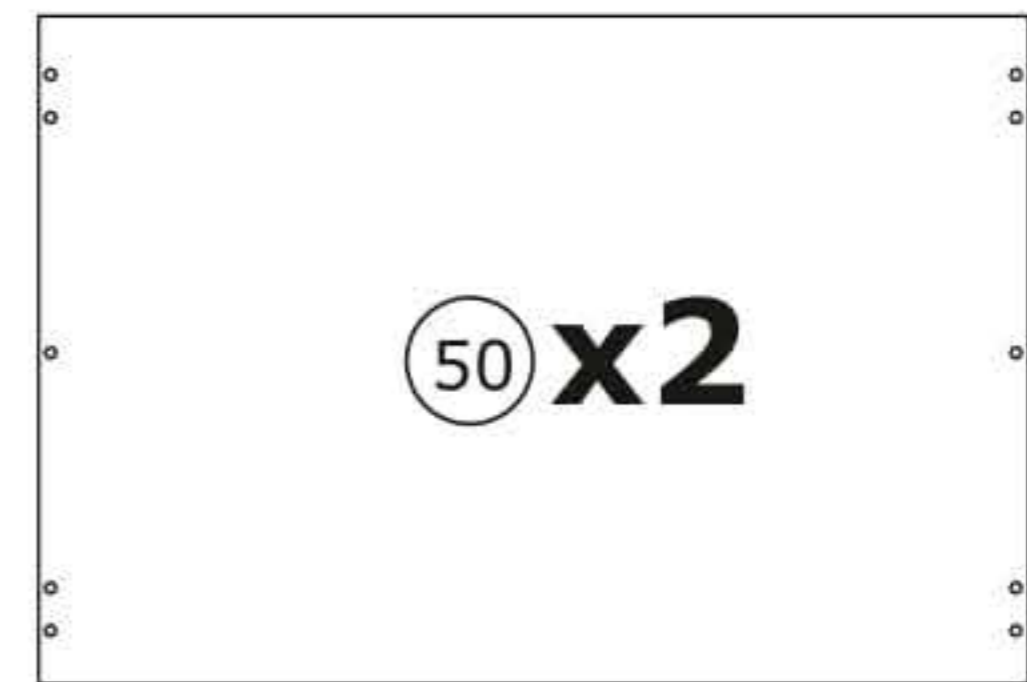
1764x351x16 mm



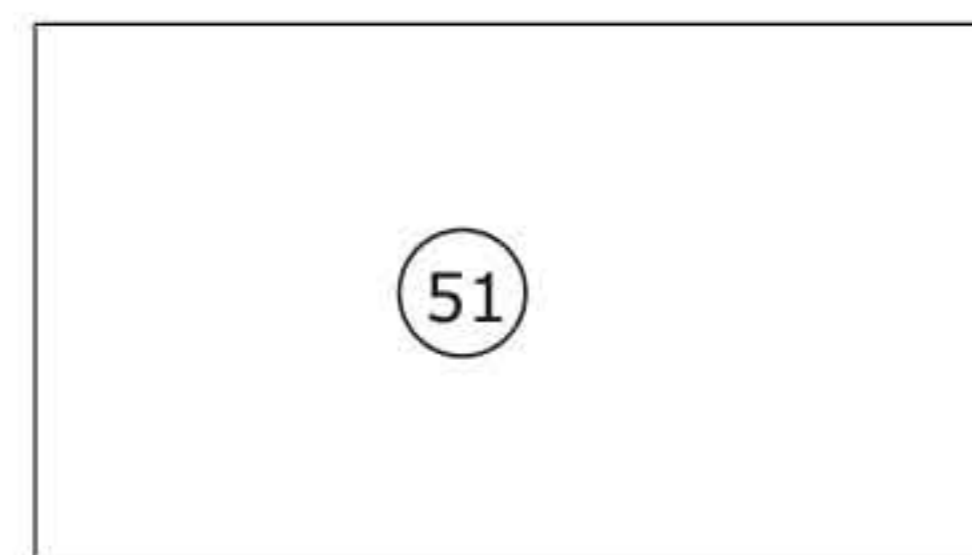
1732x70x16 mm



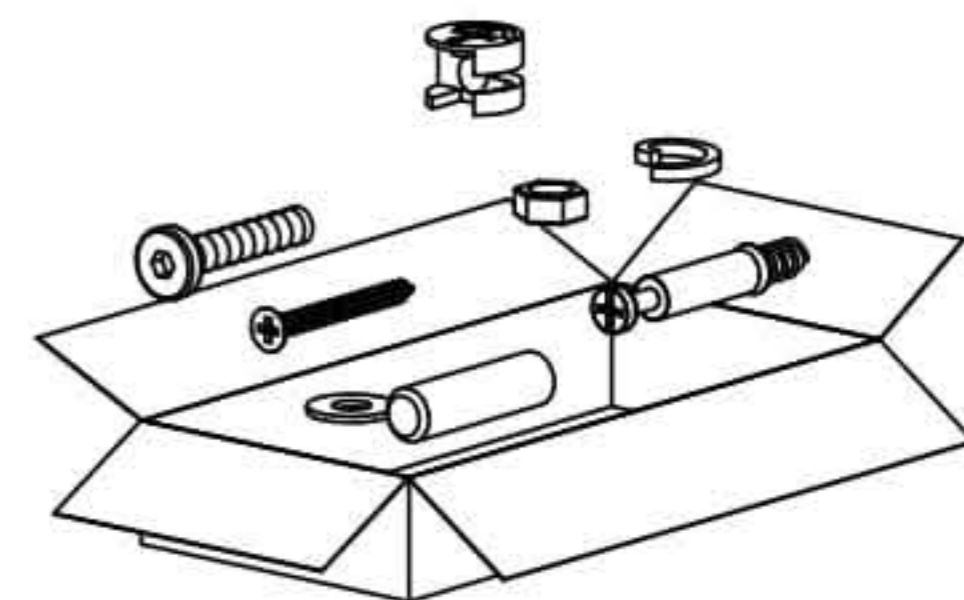
1764x351x16 mm







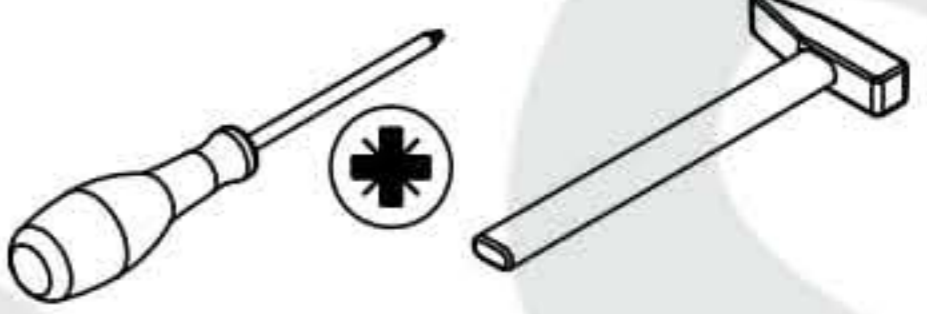
740x500x16 mm

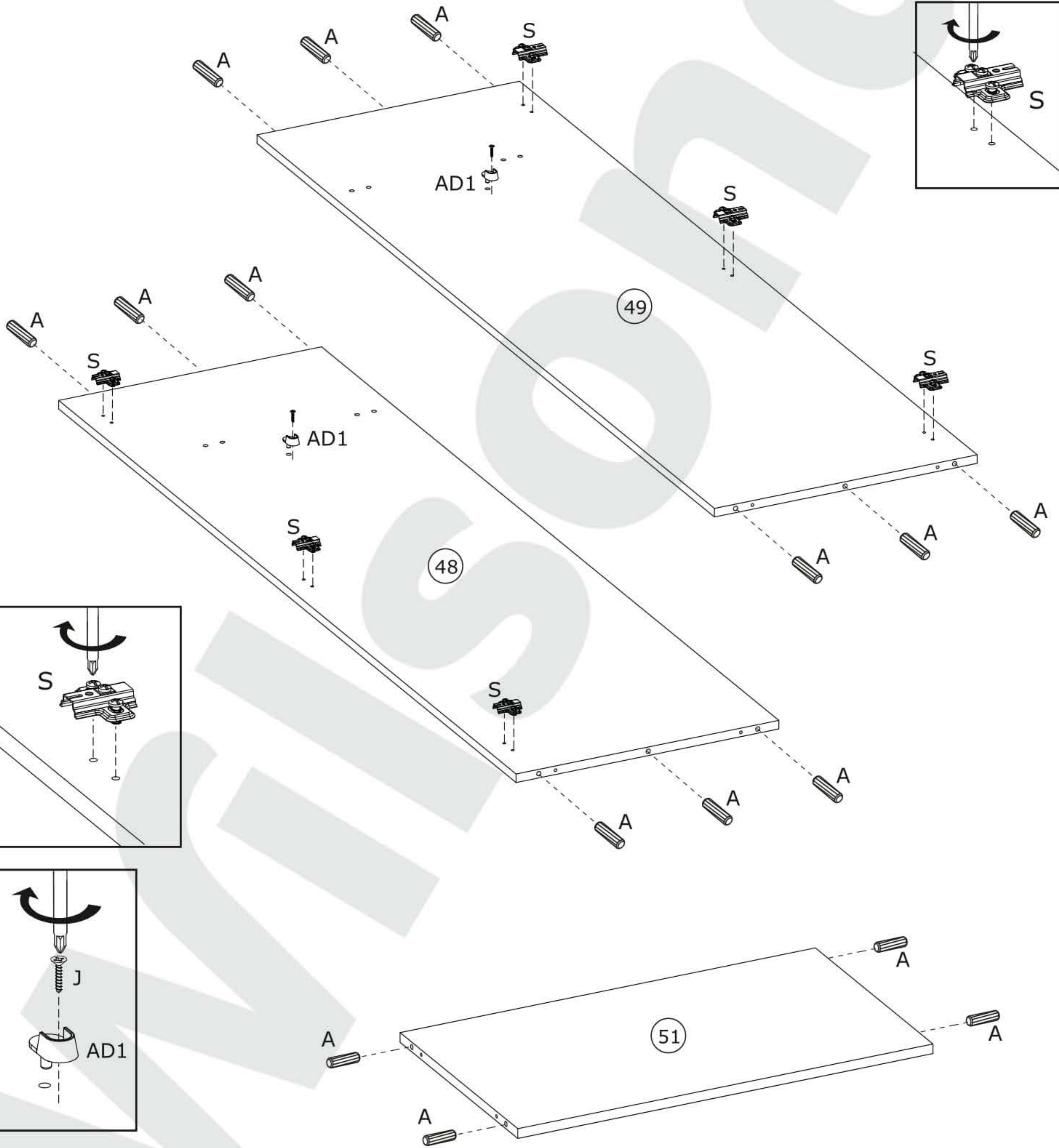
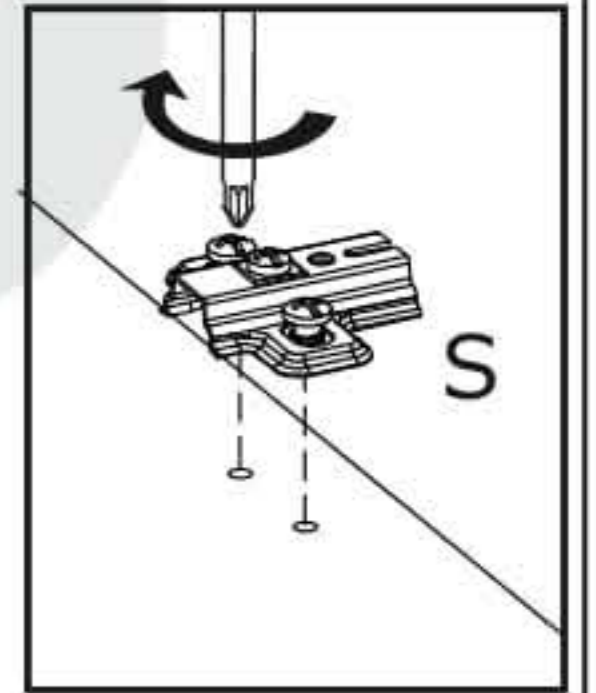
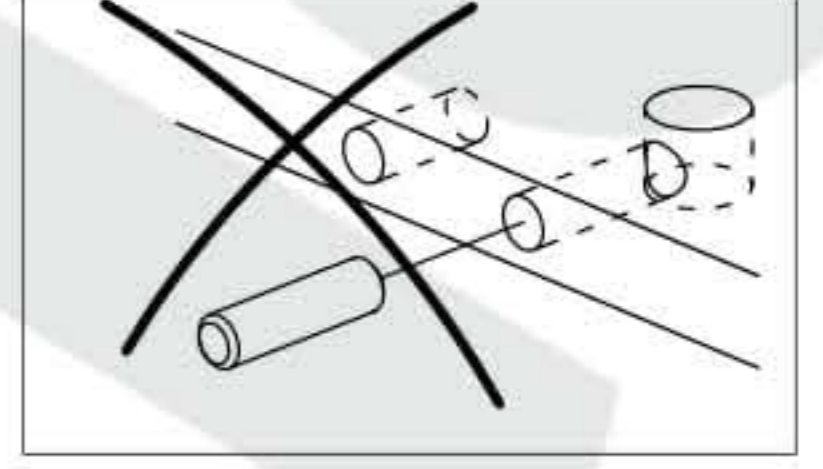
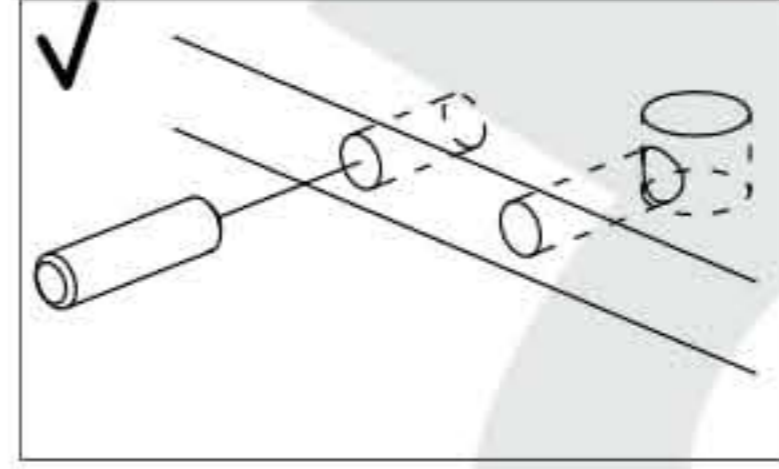
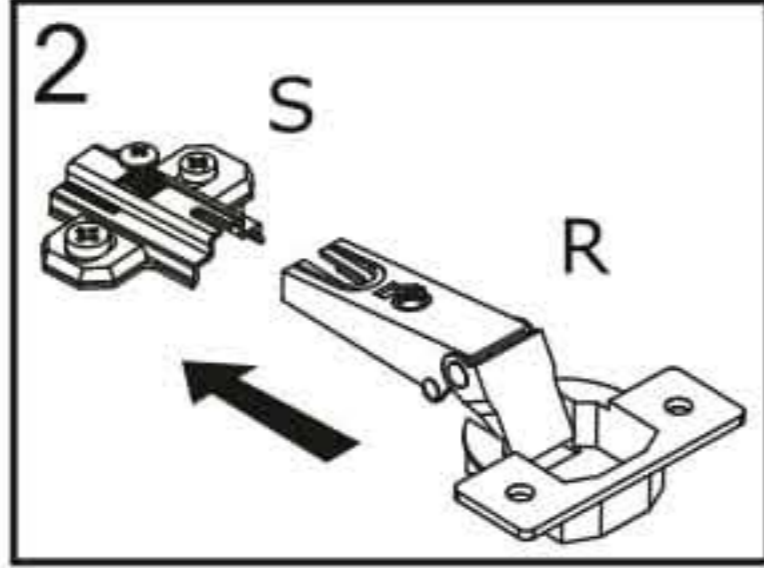
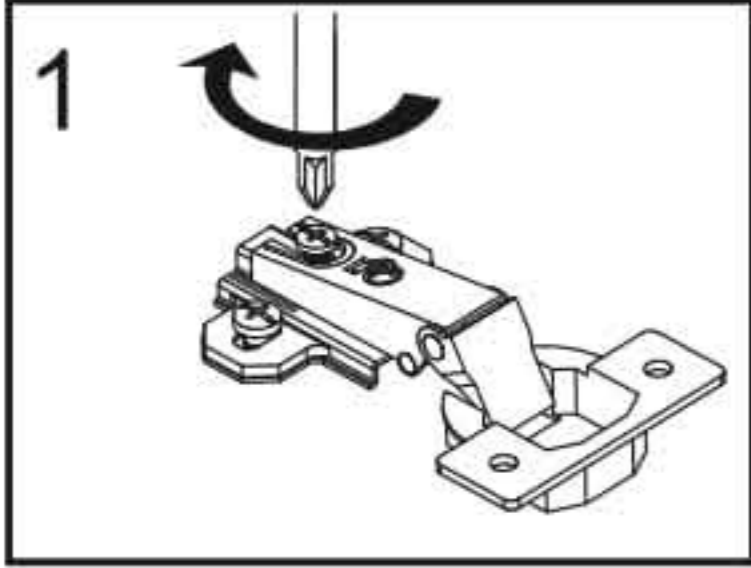


706x400x16 mm






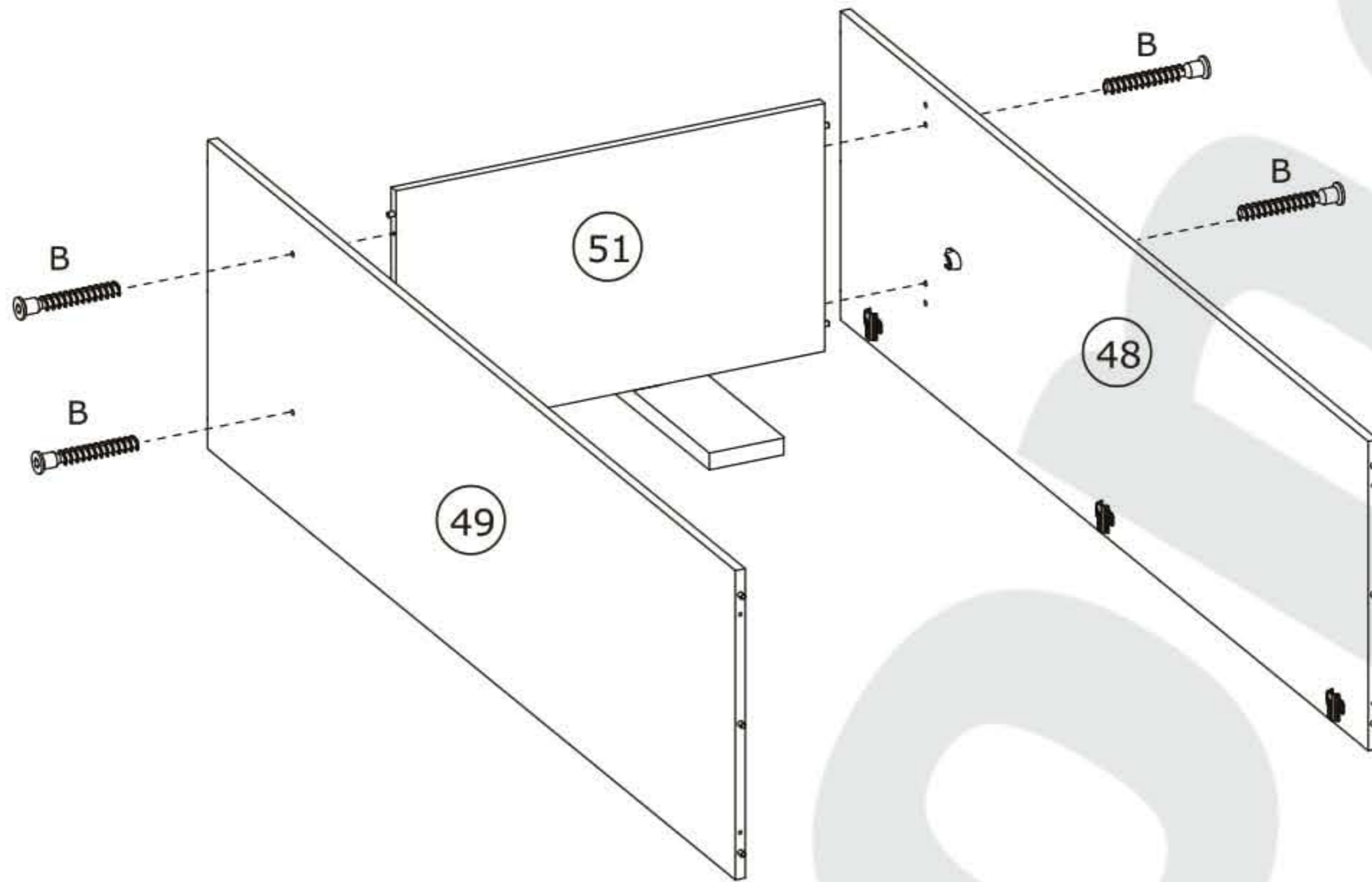
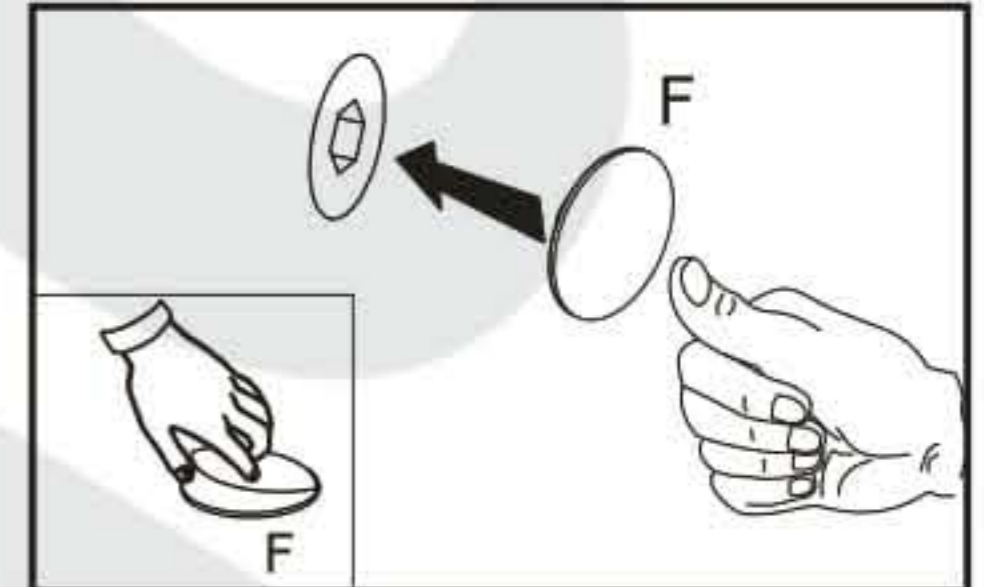
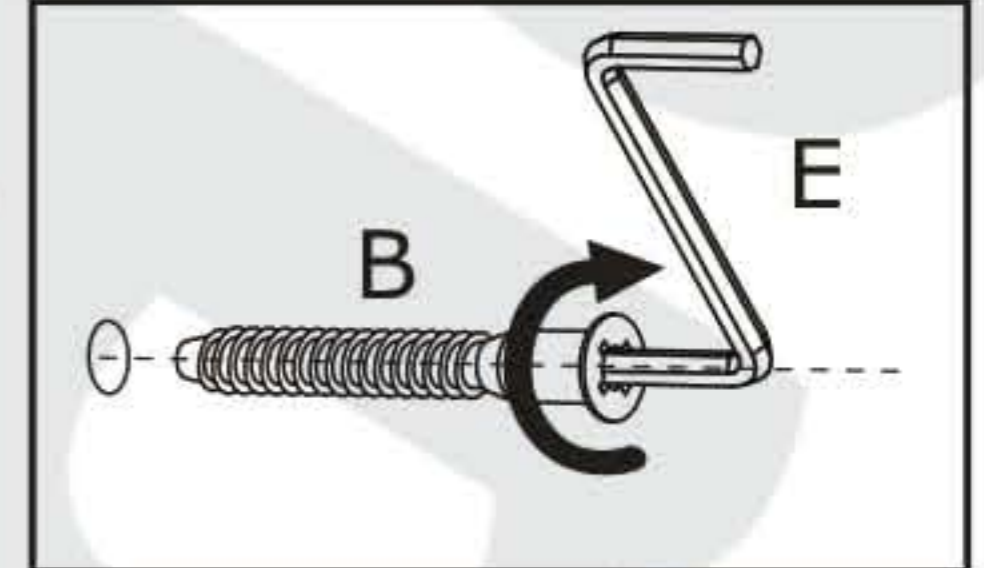
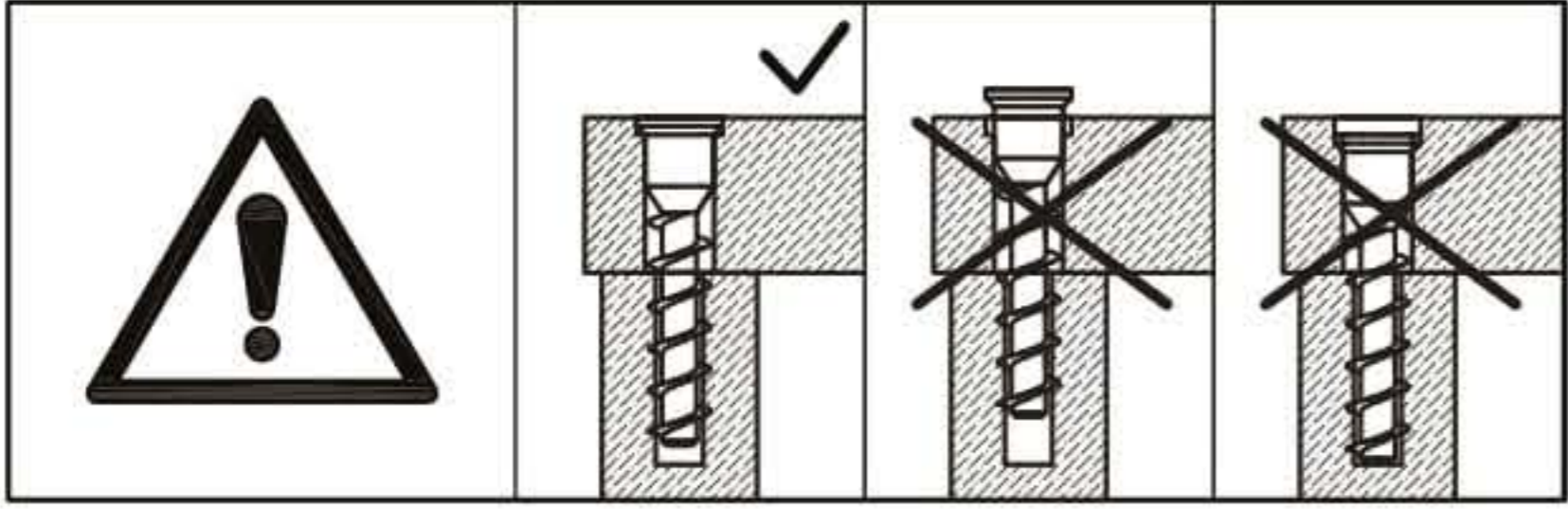
1

A x 16  Ø8x35 mm	S x 6 	J x 2  3,5x16 mm	AD1 x 2 	
---	--	---	--	---



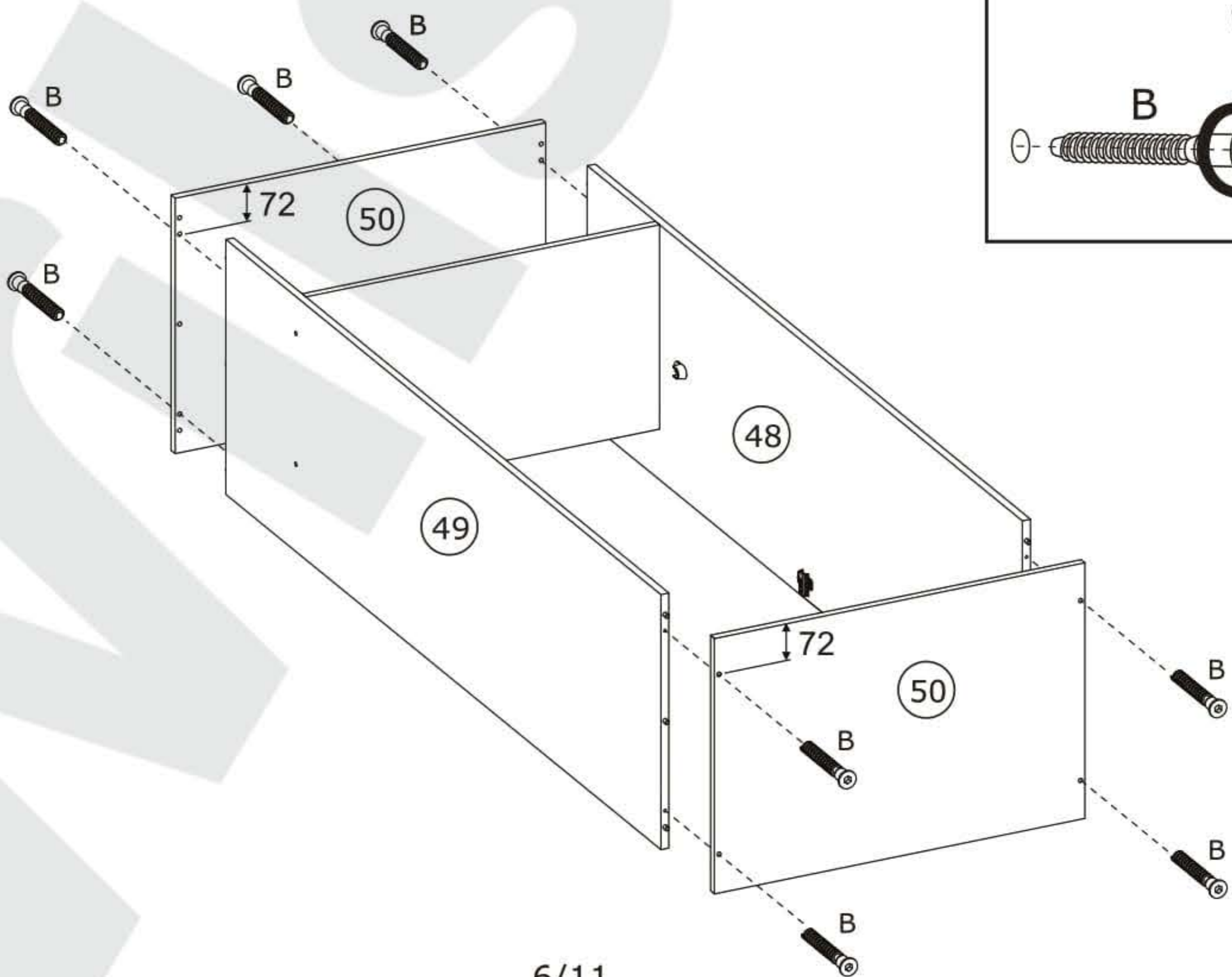
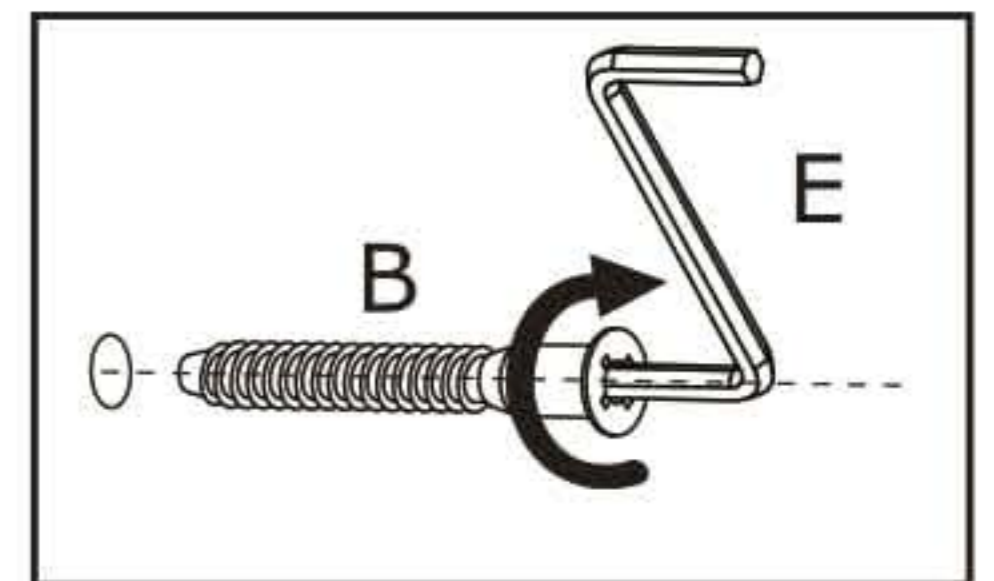
2

<p>B x 4</p>  <p>Ø7x50 mm</p>	<p>E x 1</p>  <p>4 mm</p>	<p>F x 4</p>  <p>20 mm</p>
--	--	---

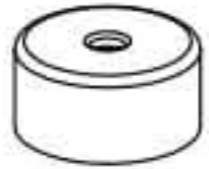
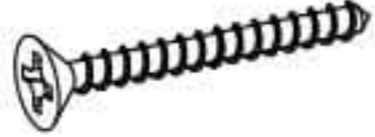


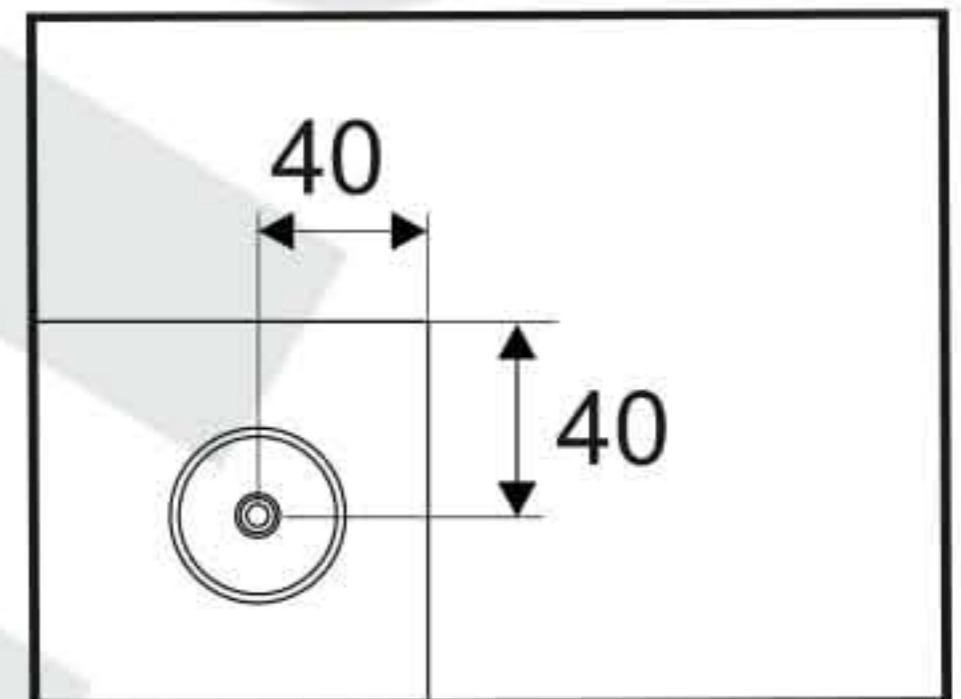
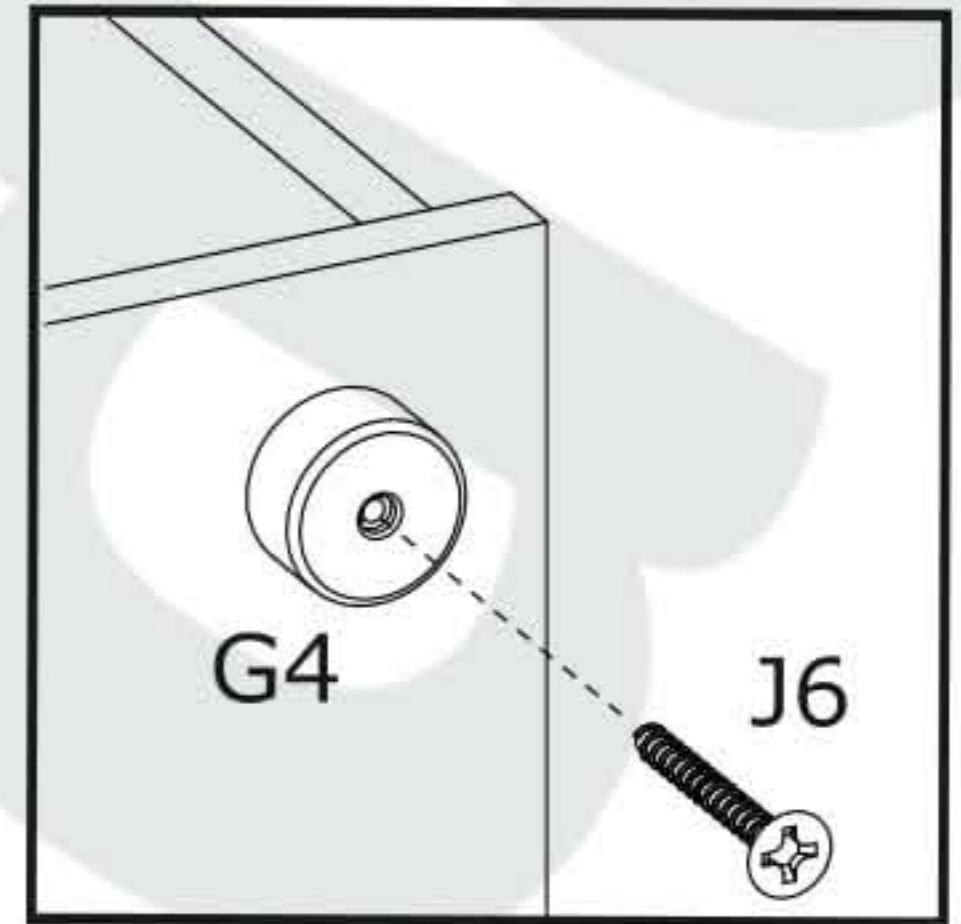
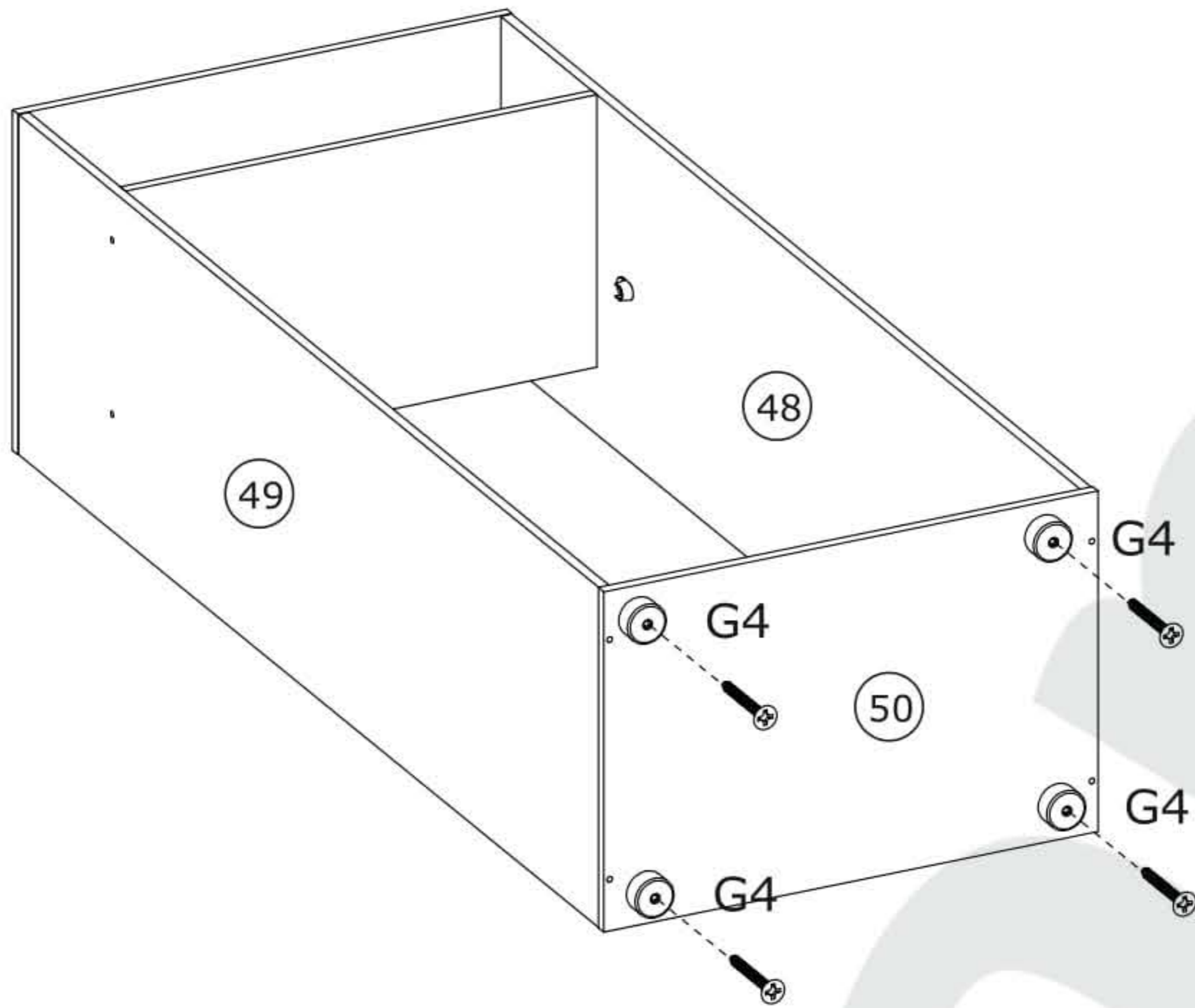
3

<p>B x 8</p>  <p>Ø7x50 mm</p>	<p>E x 1</p>  <p>4 mm</p>
--	--

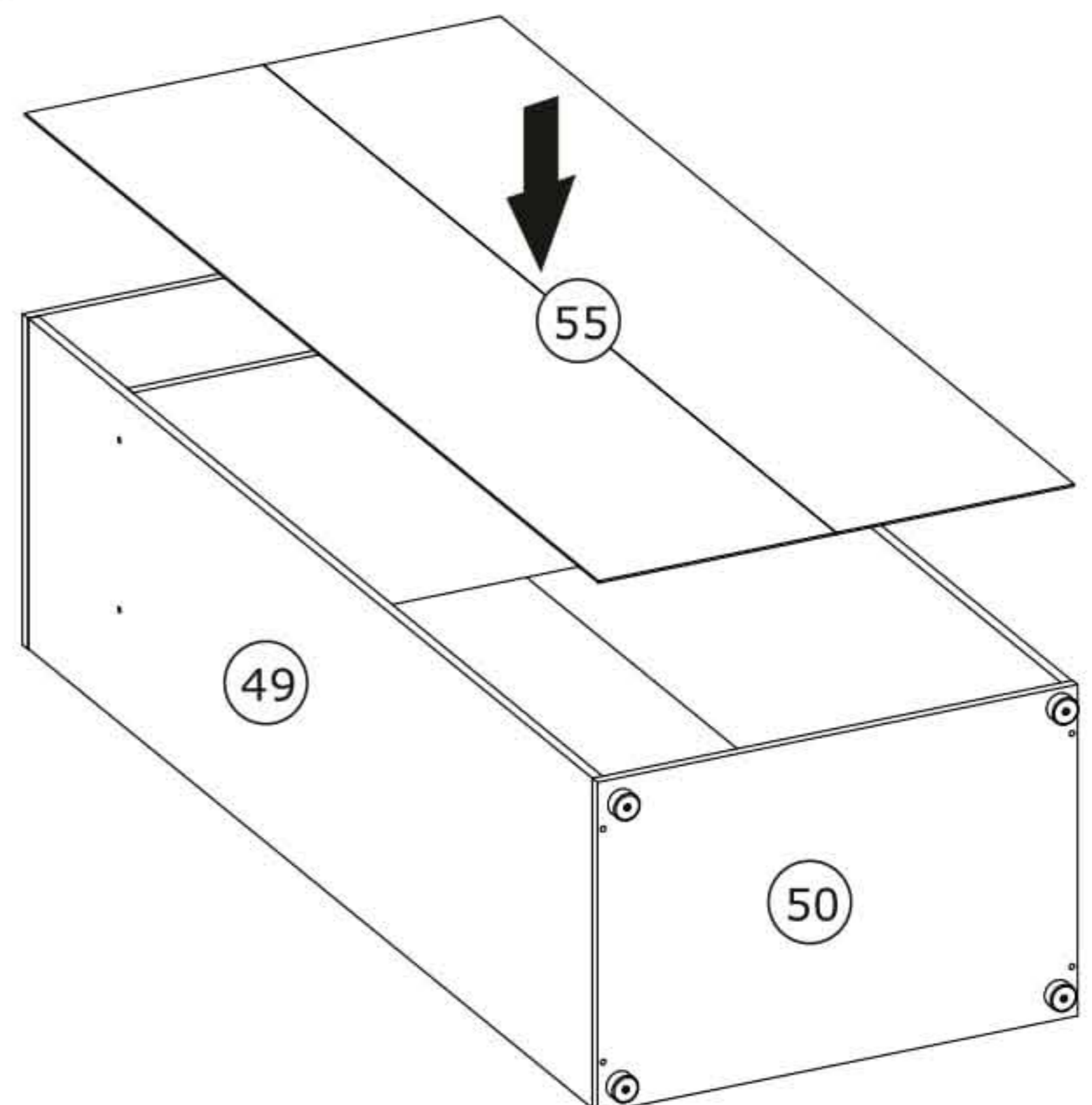
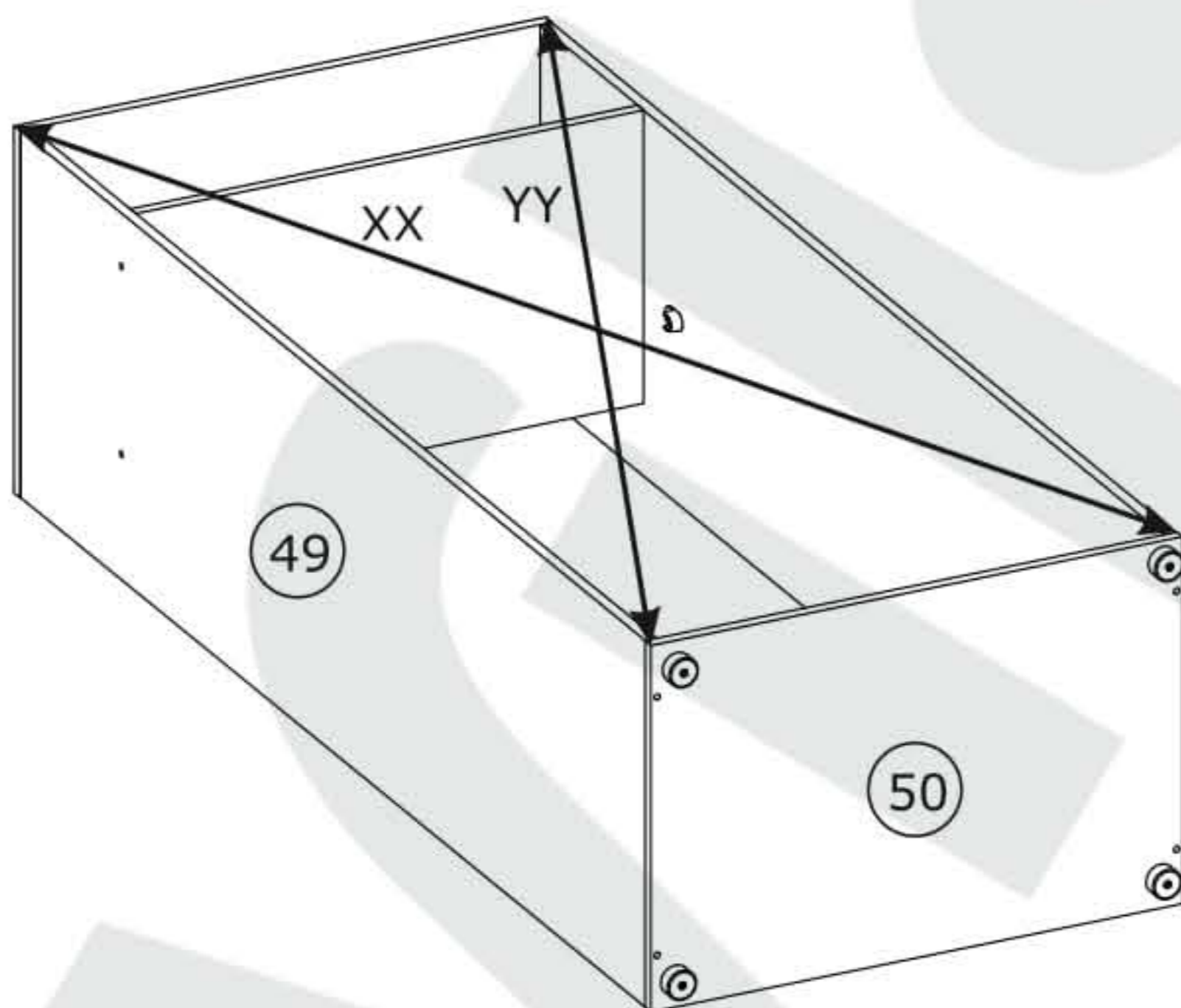



4

G4 x 4 	J6 x 4  4x30 mm	
---	--	---



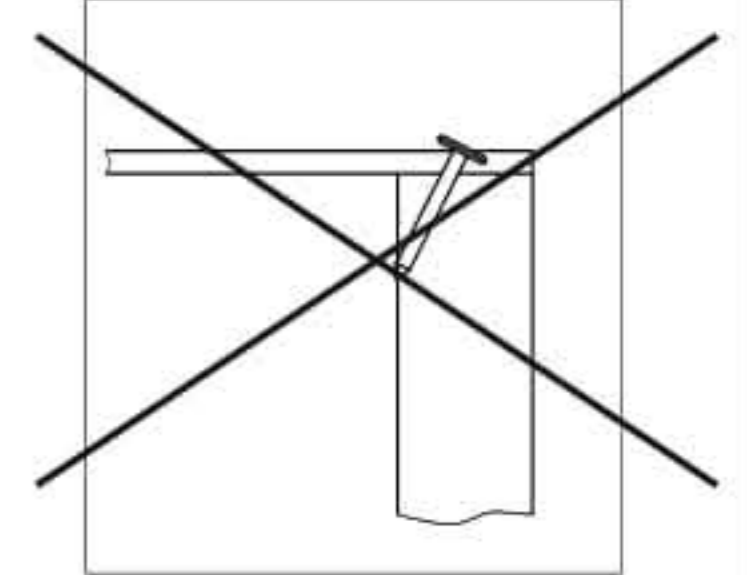
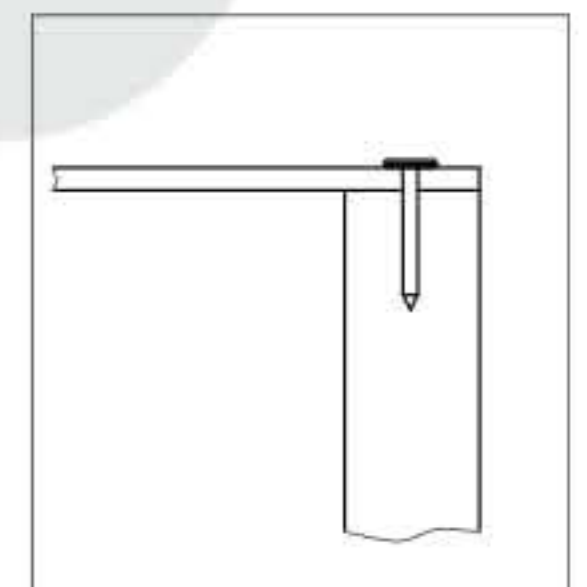
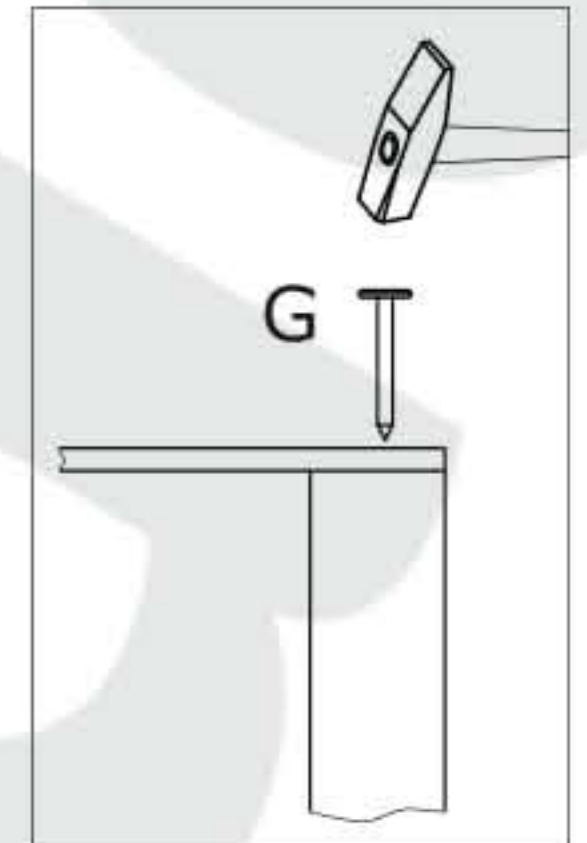
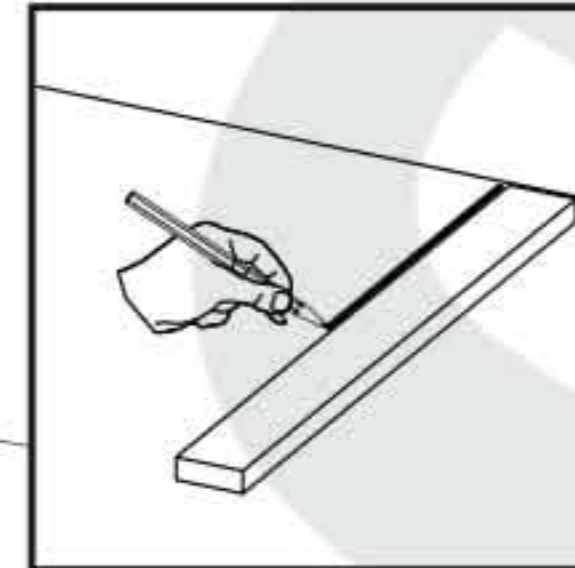
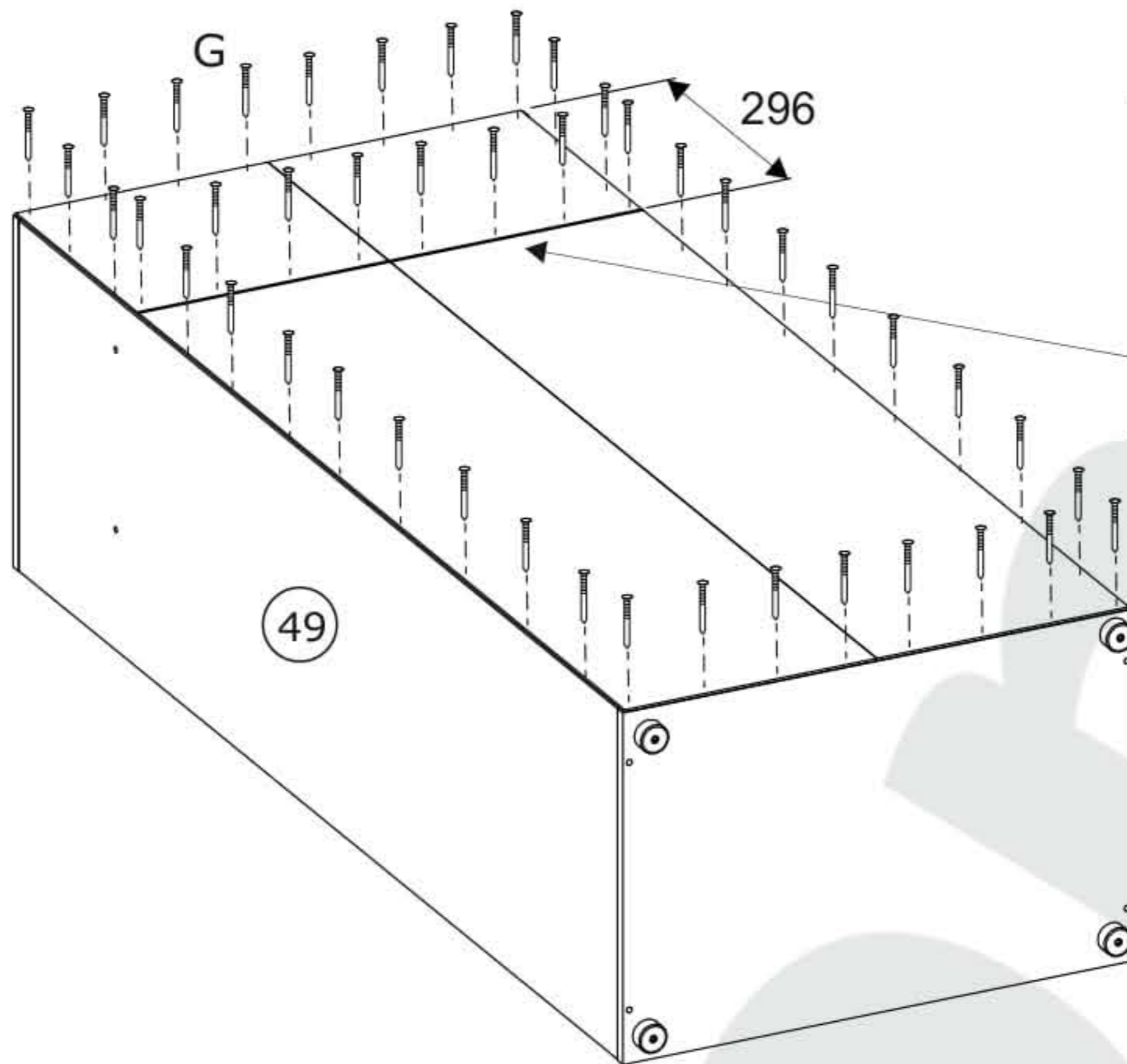
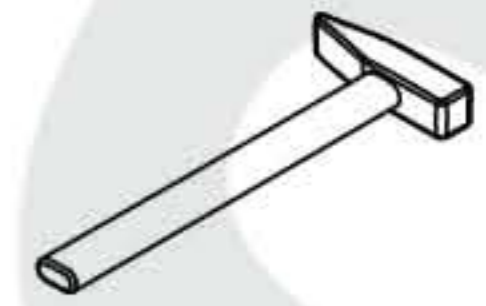
5



 $XX = YY \equiv 90^\circ$

6

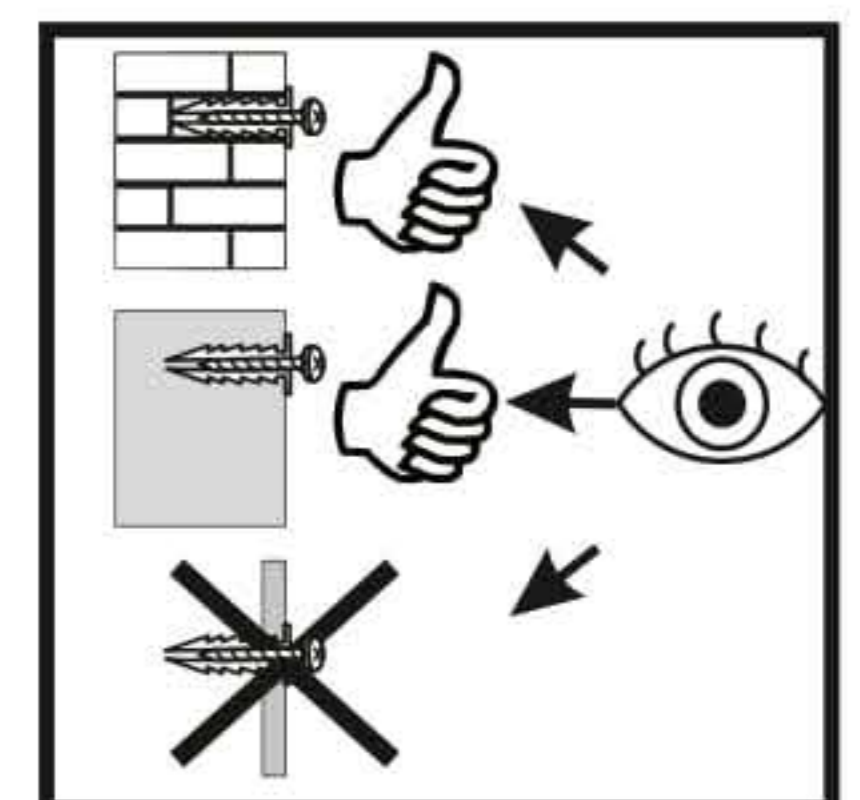
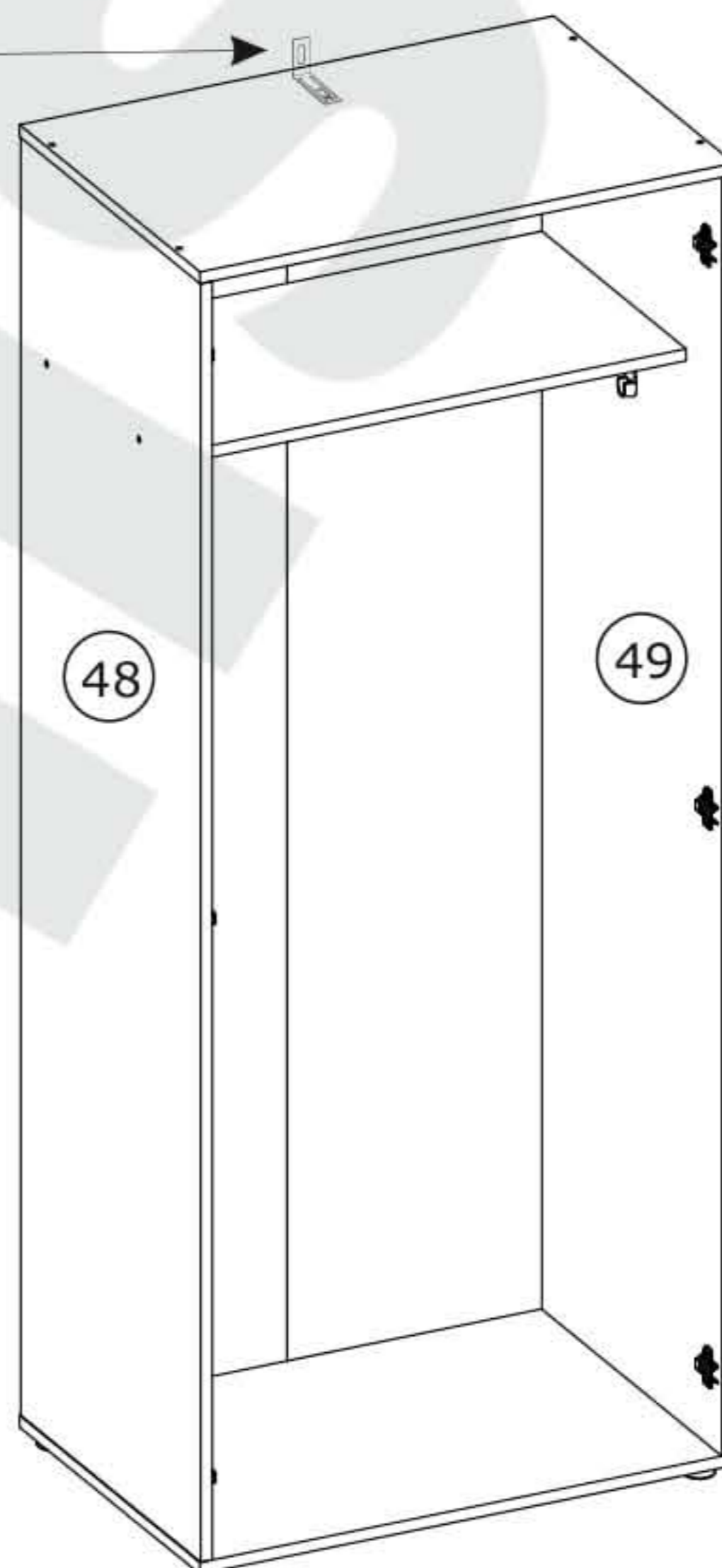
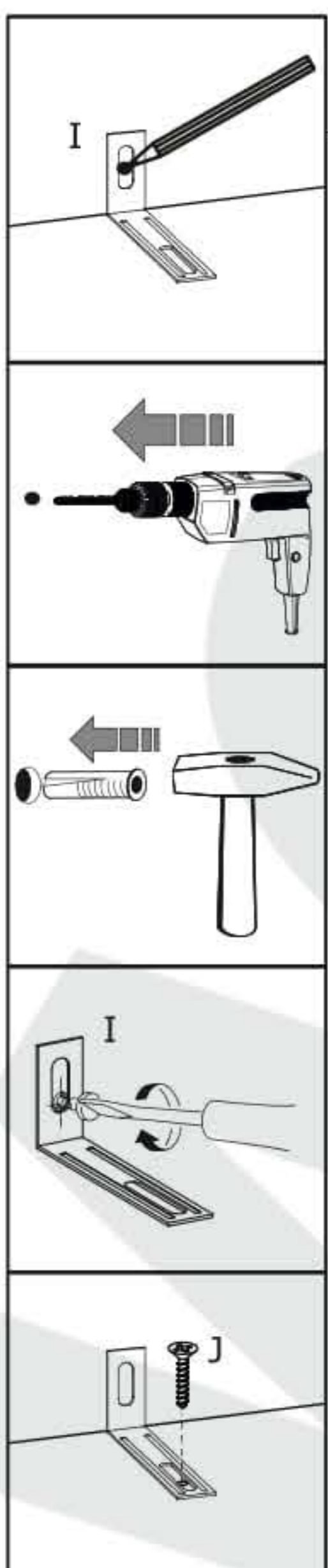
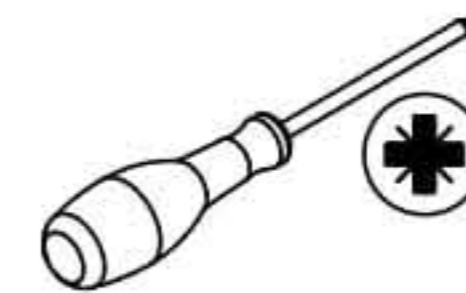
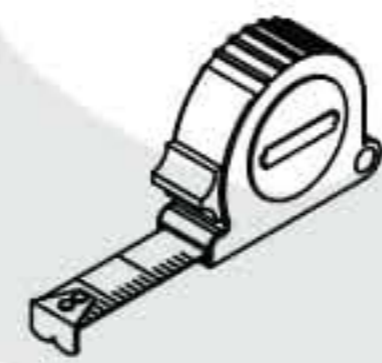
G x 44
1.2x25 mm



7

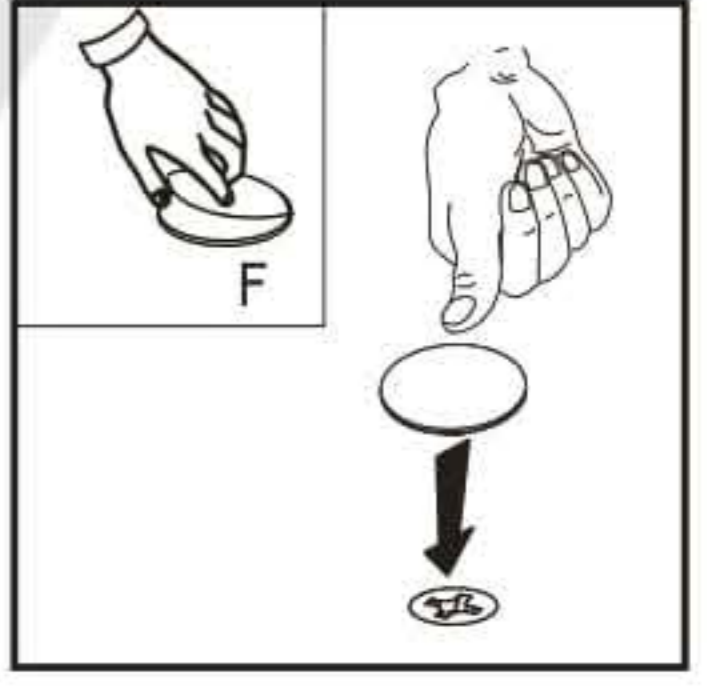
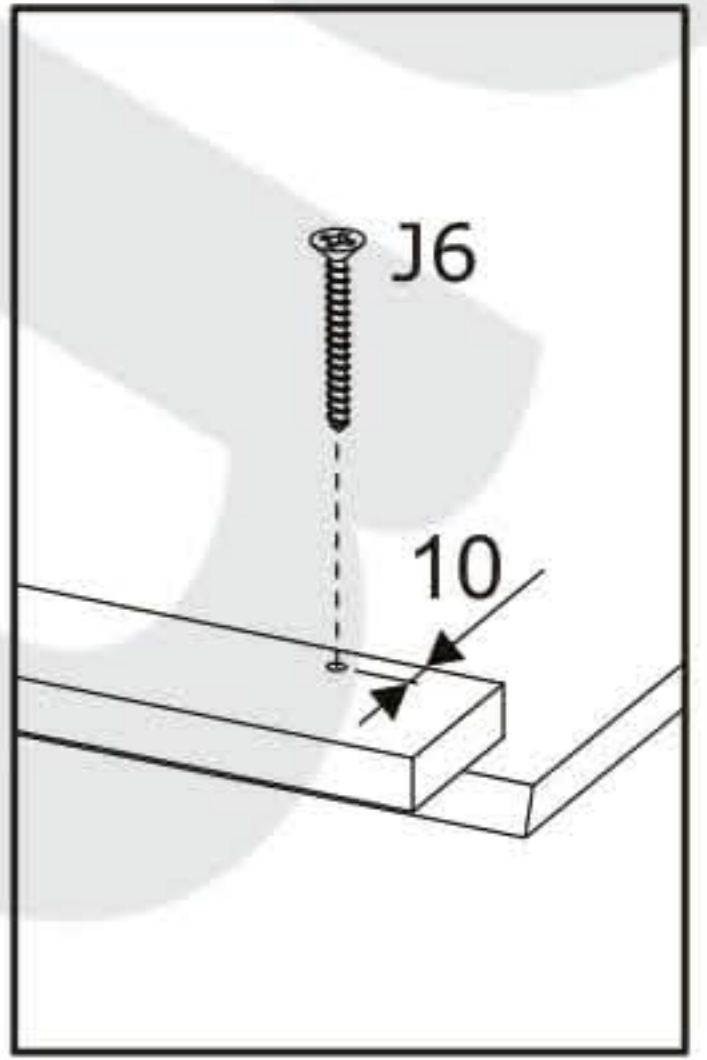
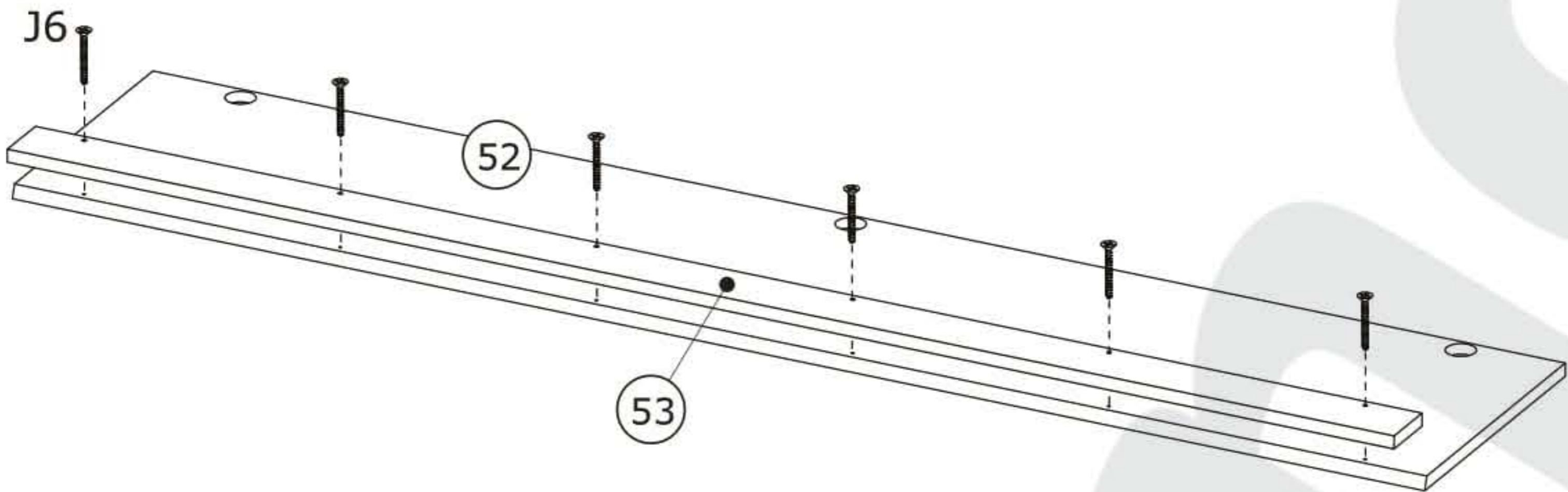
I x 1

J x 1
3,5x16 mm



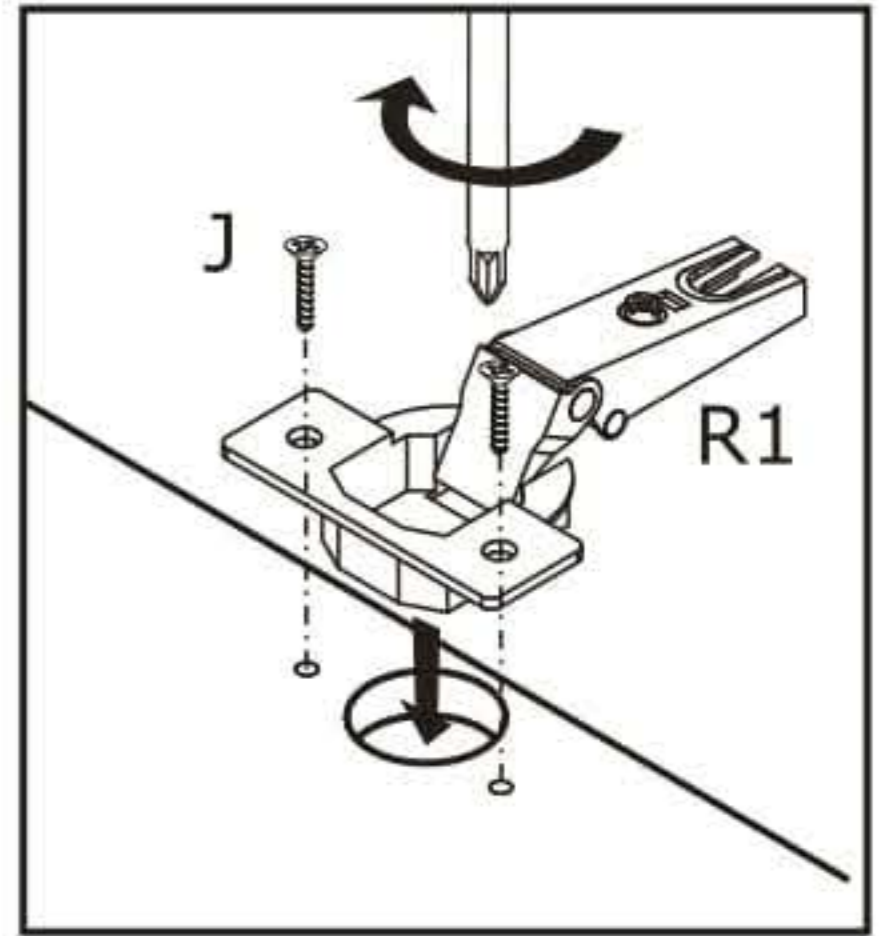
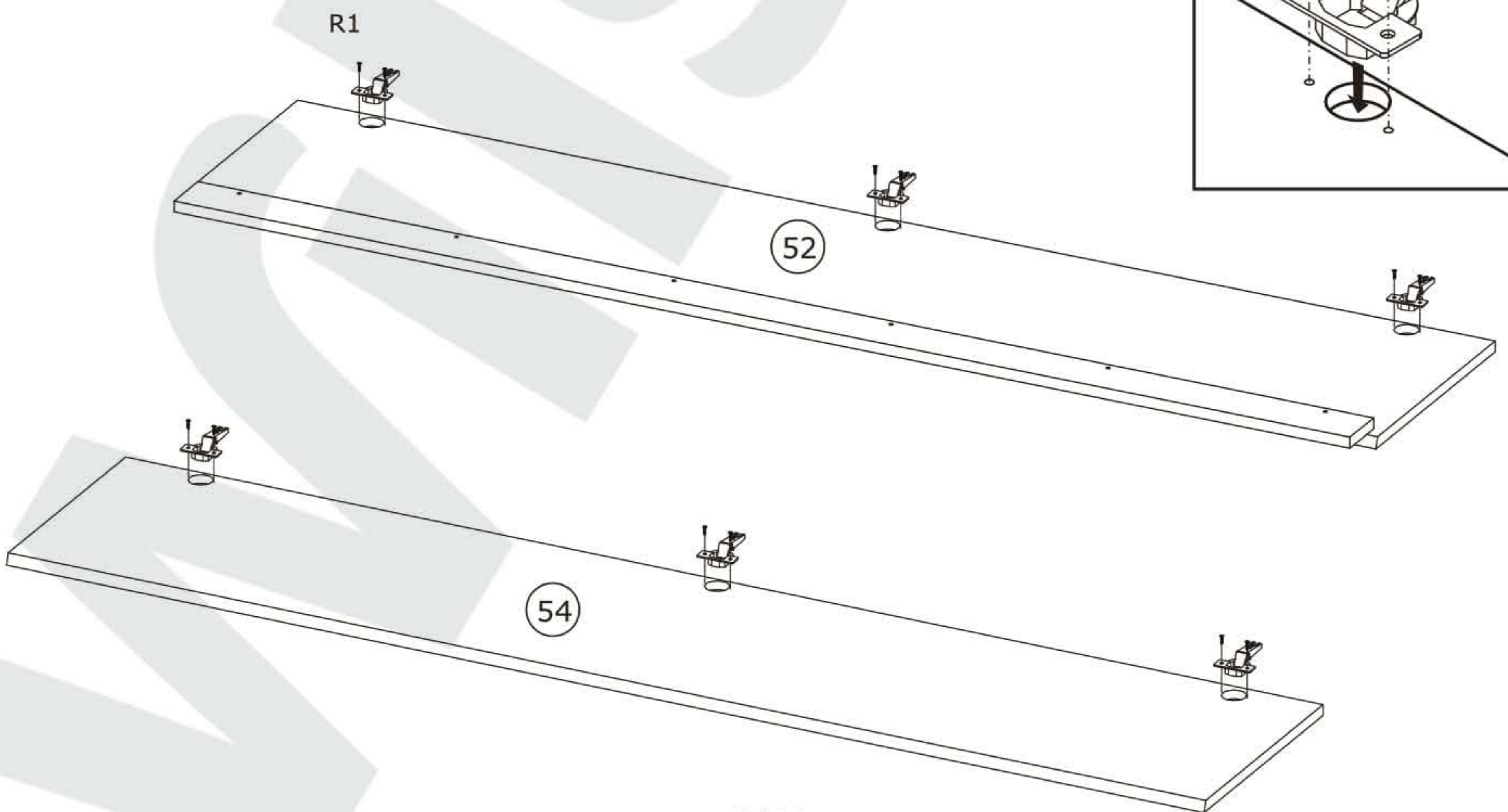
8

J6 x 6  4x30 mm	F x 6  20 mm	
--	---	---

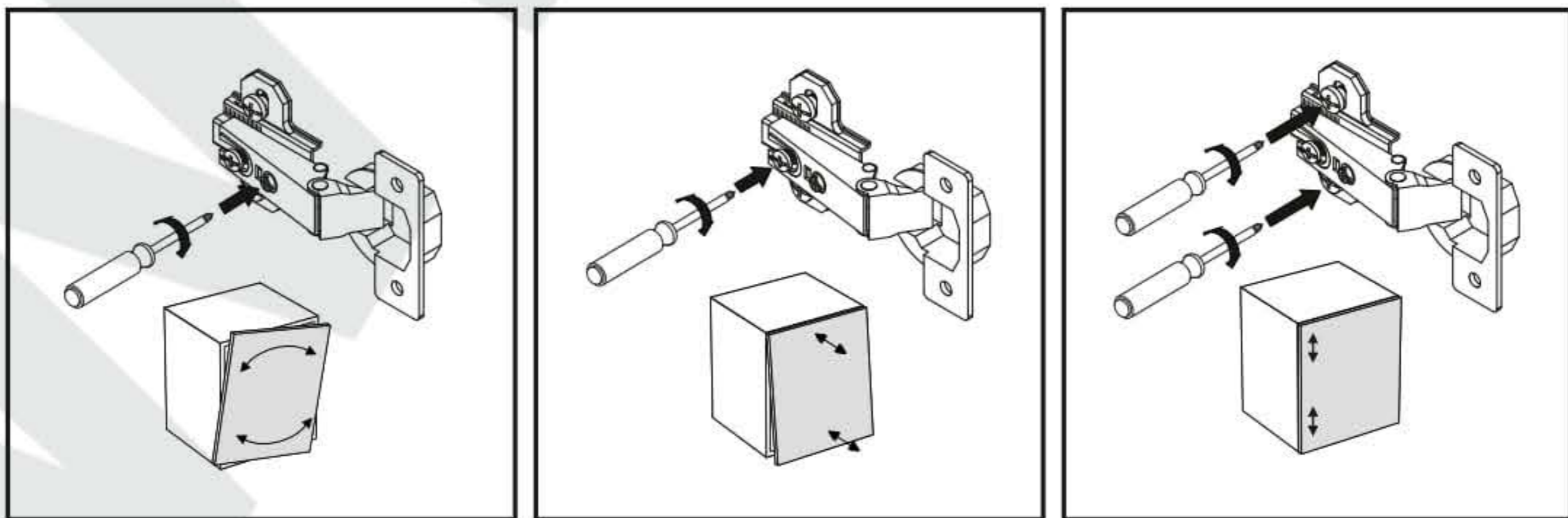
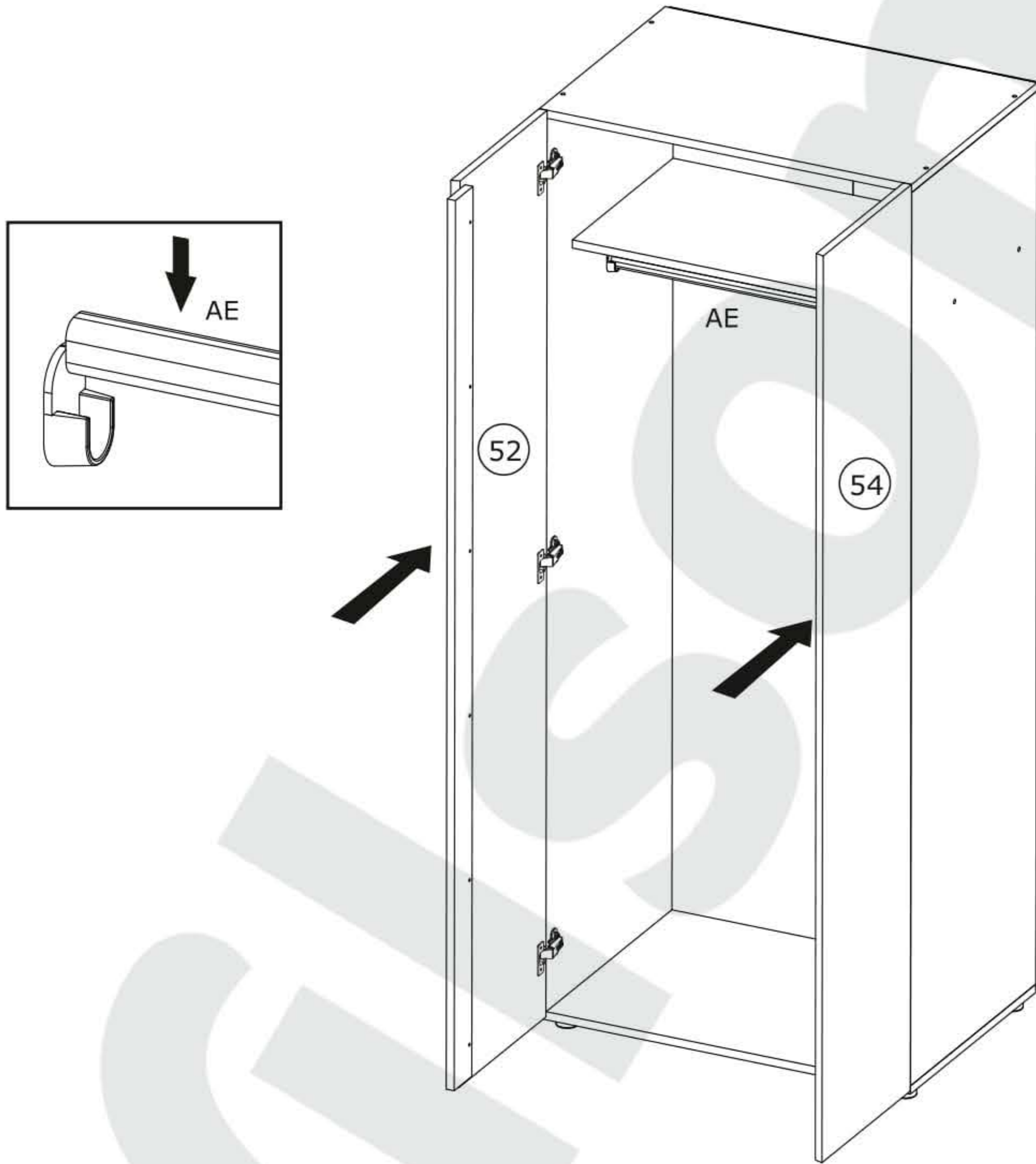
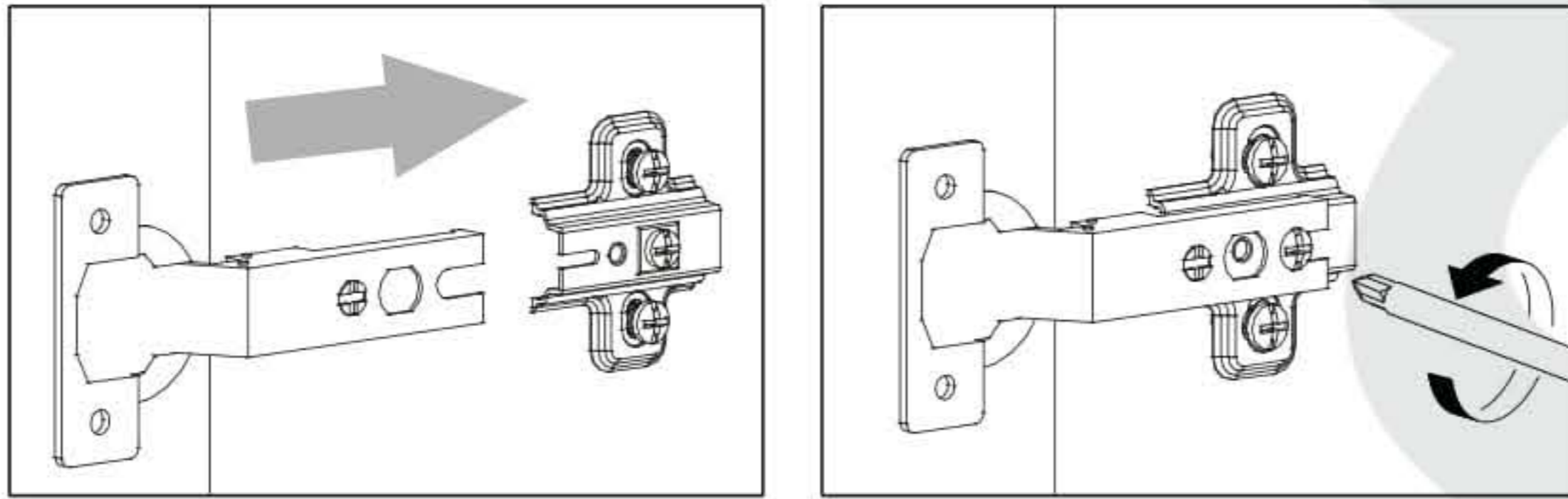


9

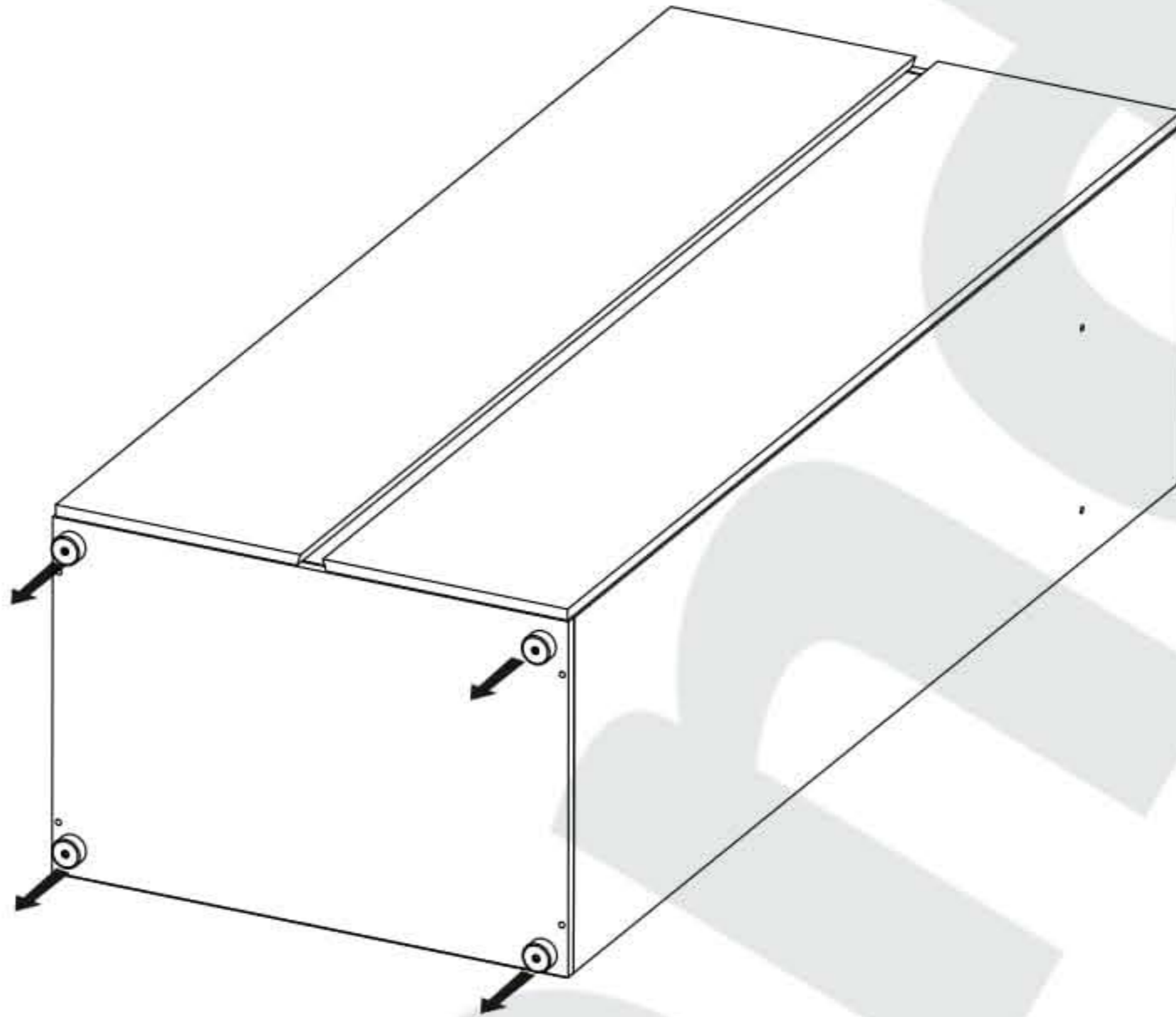
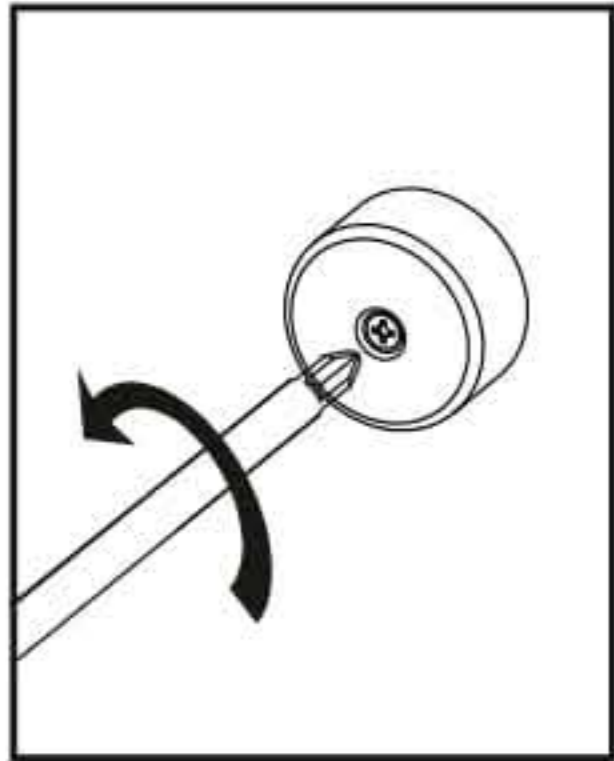
R1 x 6 	J x 12  3,5x16 mm	
---	--	---



10



11



12

