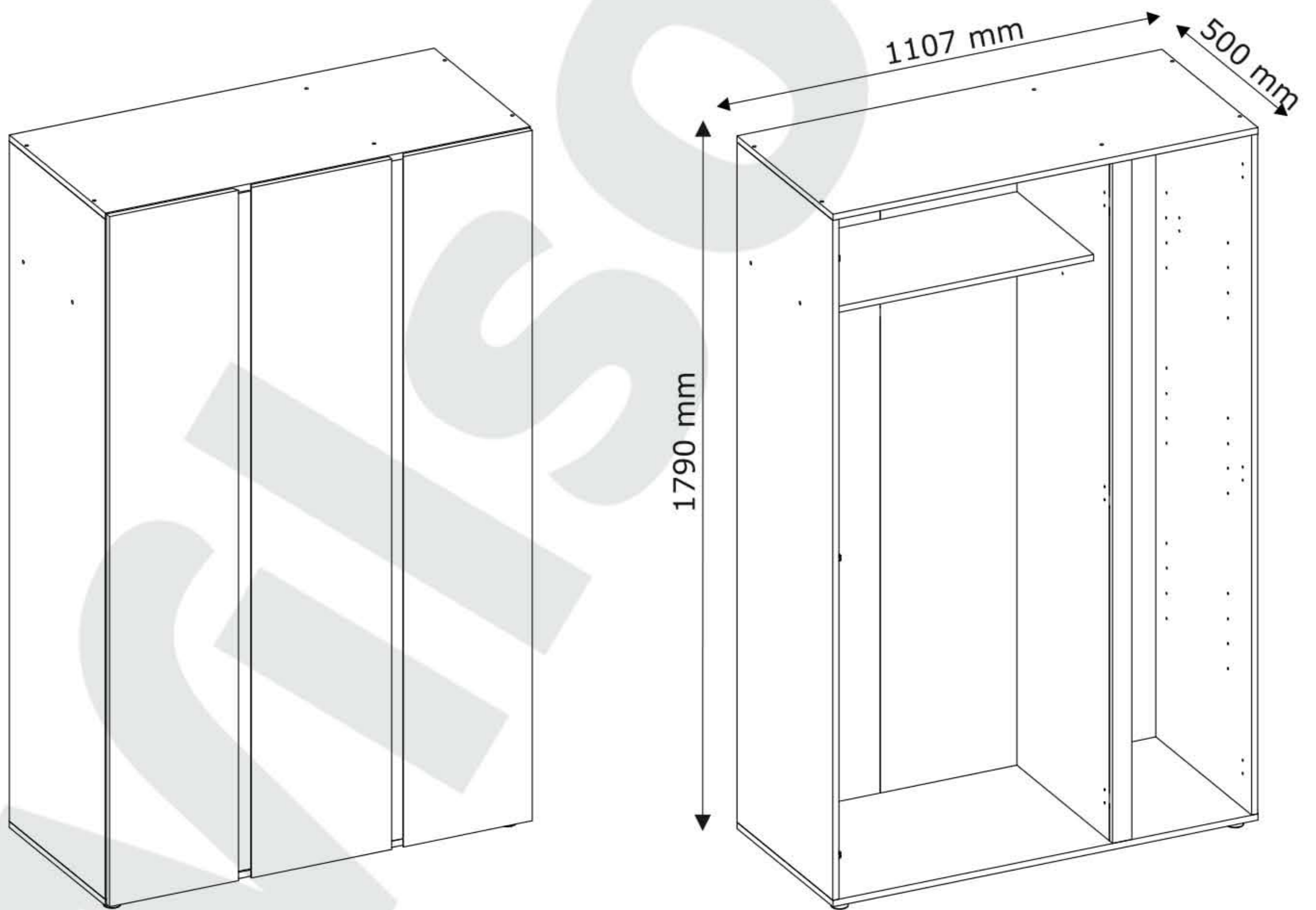
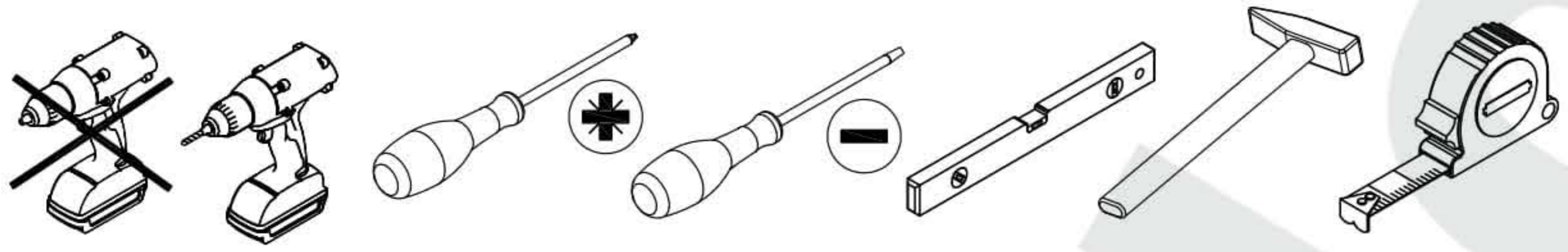


# Basic Plus 3D





A x 20

Ø8x35 mm

B x 16

Ø7x50 mm

E x 1

● 4 mm

F x 10

20 mm

G x 60

1,2x25 mm

G4 x 5

H x 10

22x9x2 mm

I x 2

J x 22

3,5x16 mm

J6 x 11

4x30 mm

M x 12

Ø6,3x13 mm

M4 x 6

O x 12

Ø5mm

R1 x 6

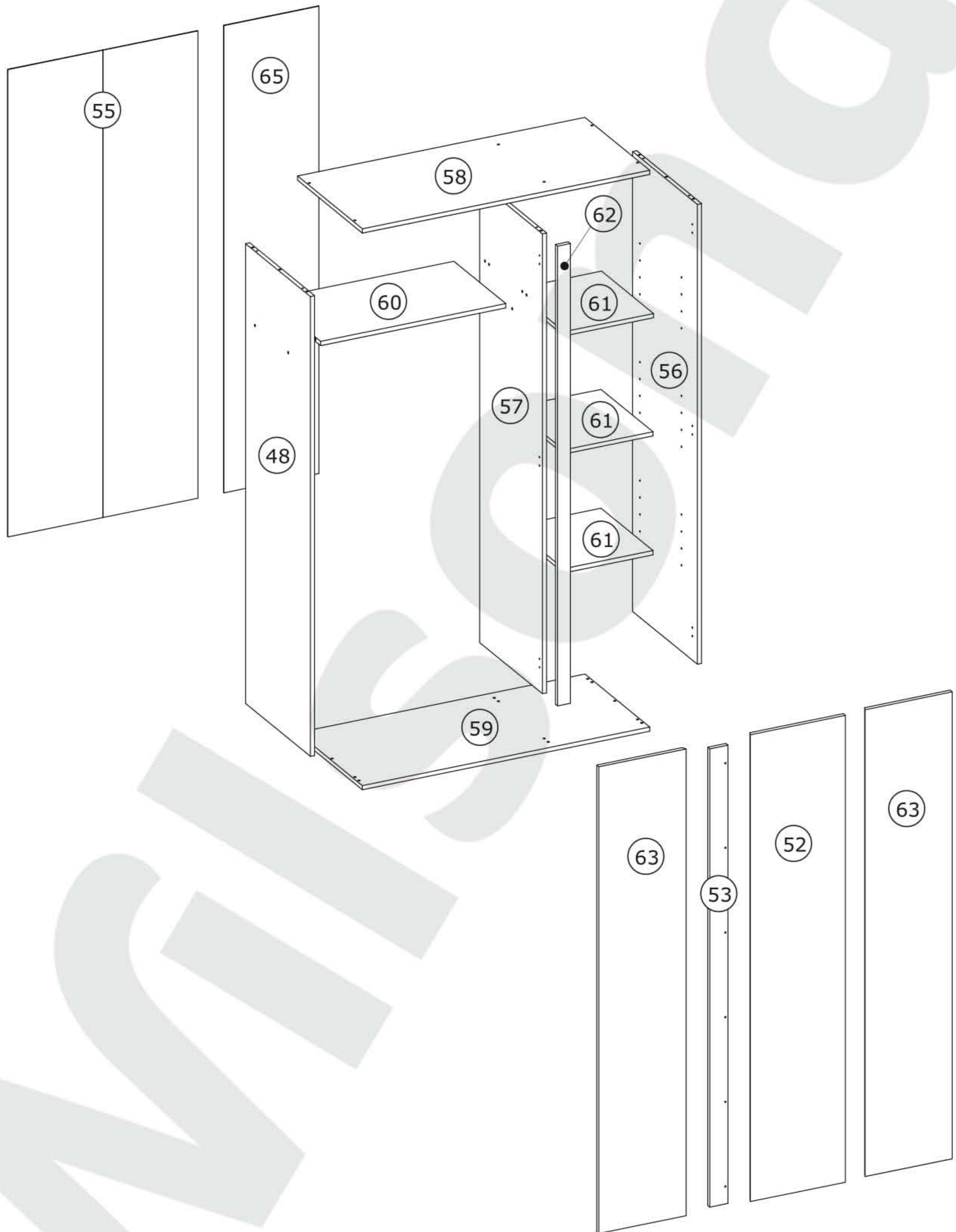
R2 x 3

S x 9

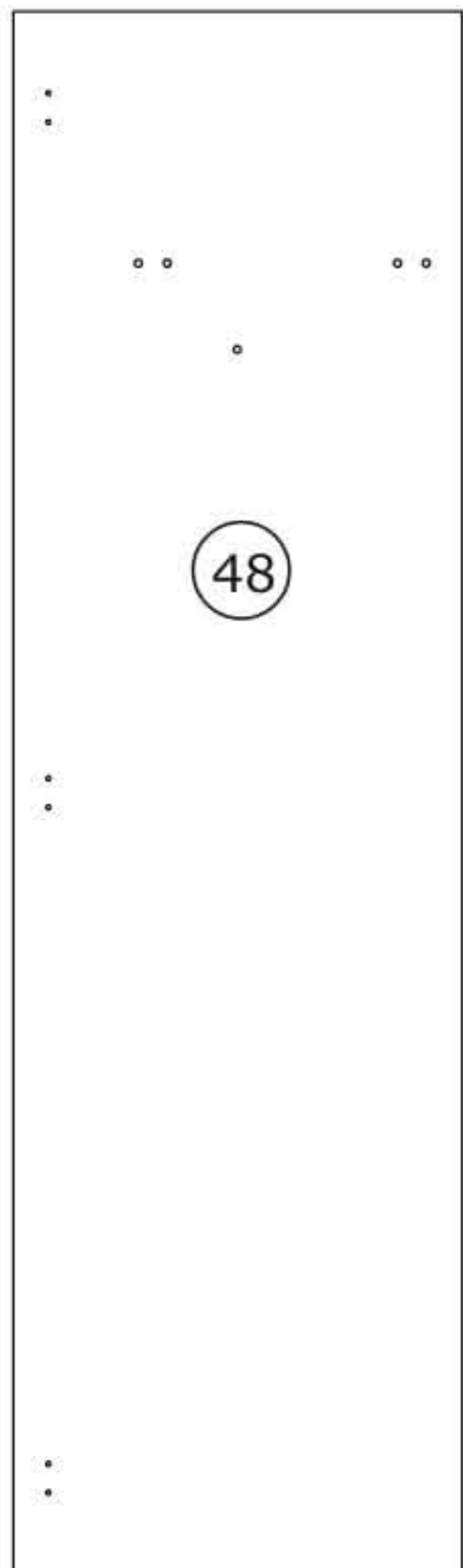
AD1 x 2

AE x 1

707 mm

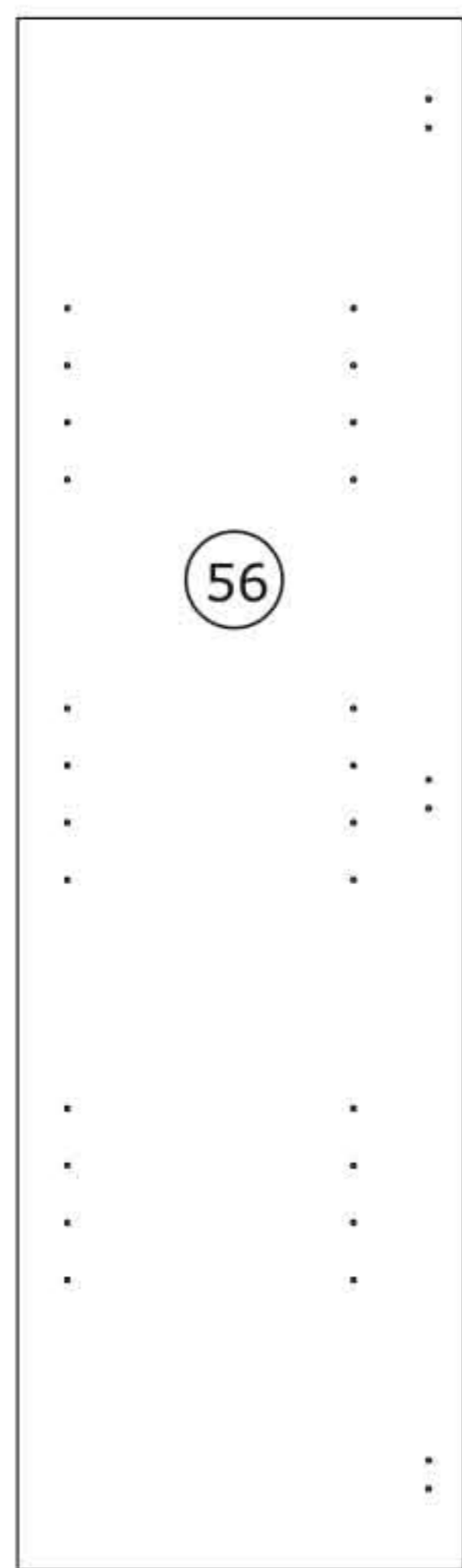


# BOX 1/1:



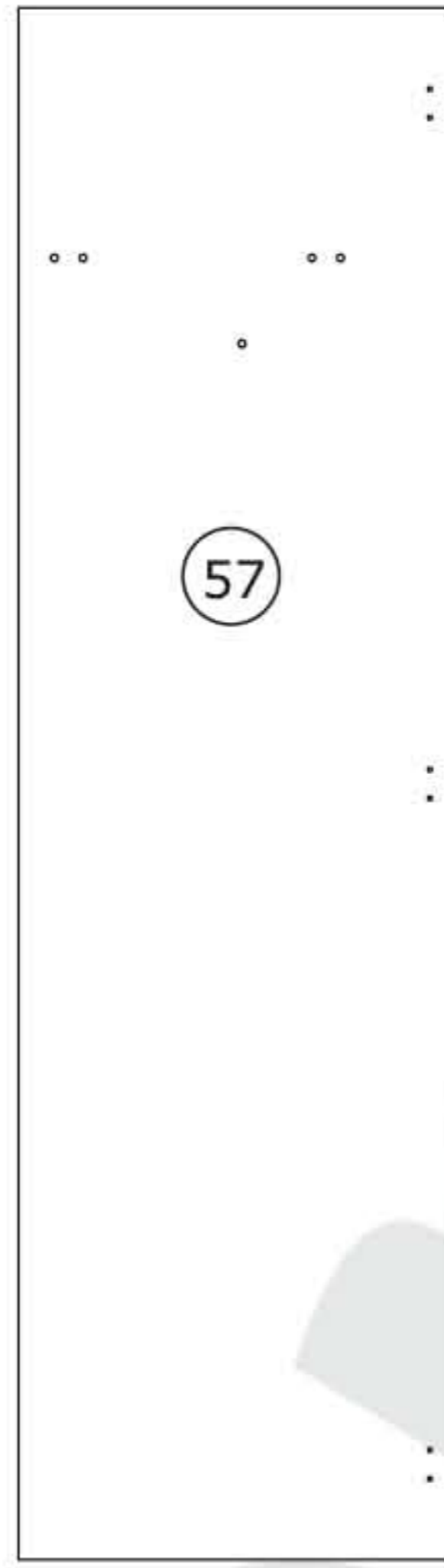
48

1738x499x16 mm



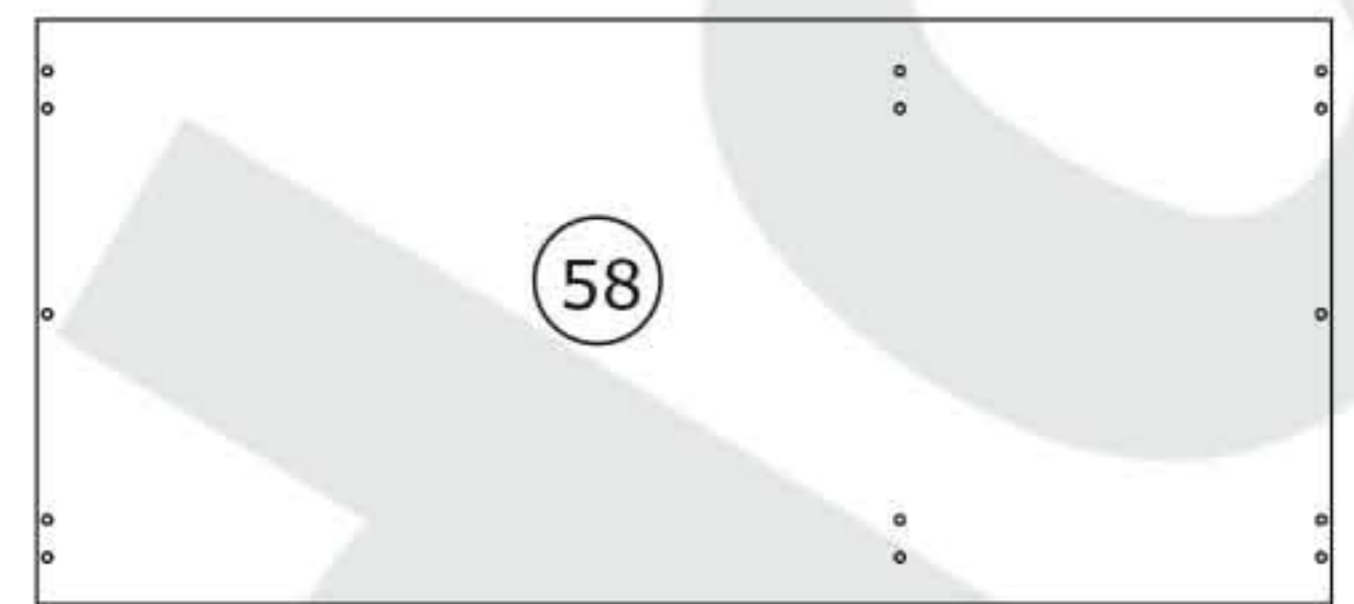
56

1738x499x16 mm



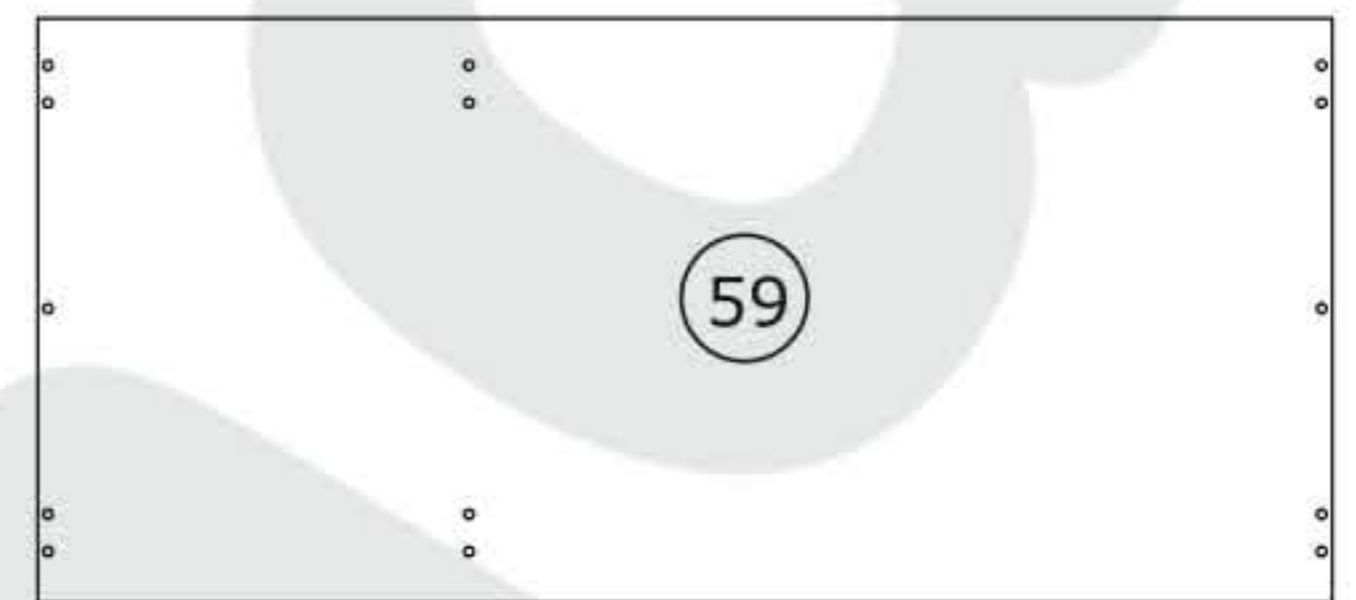
57

1738x483x16 mm



58

1107x500x16 mm



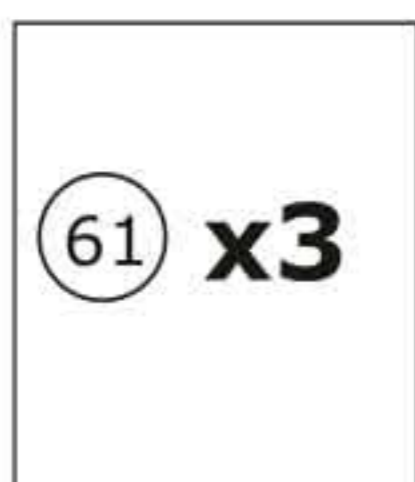
59

1107x500x16 mm



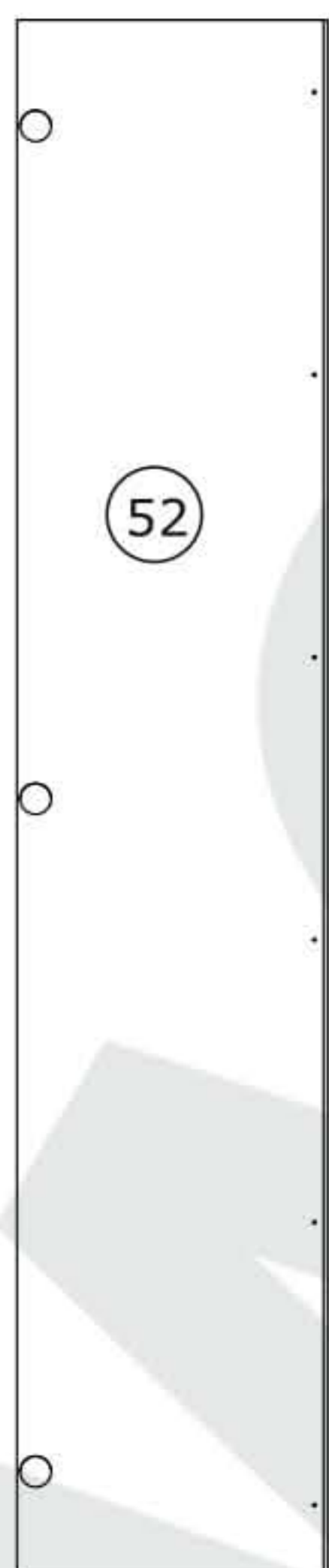
60

713x400x16 mm



61 **x3**

344x400x16 mm



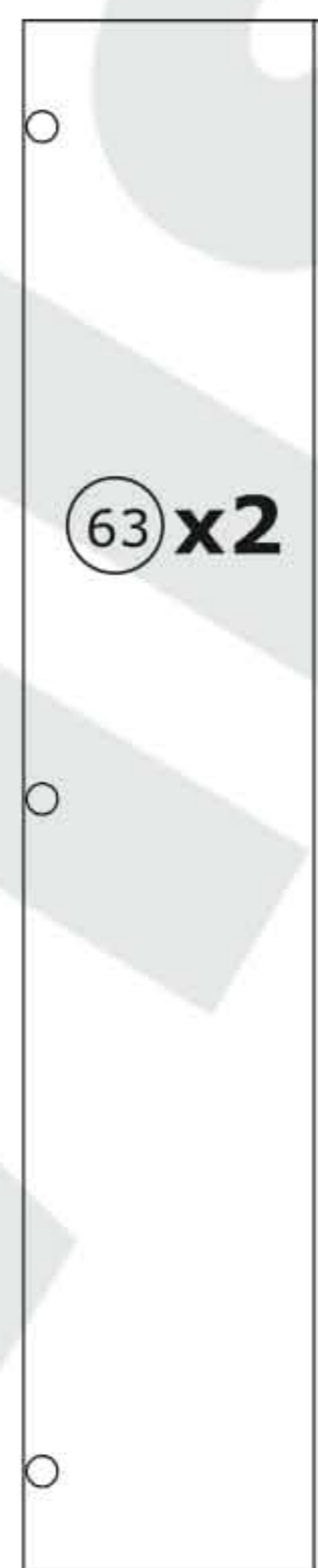
52

1764x366x16 mm



53

1732x70x16 mm



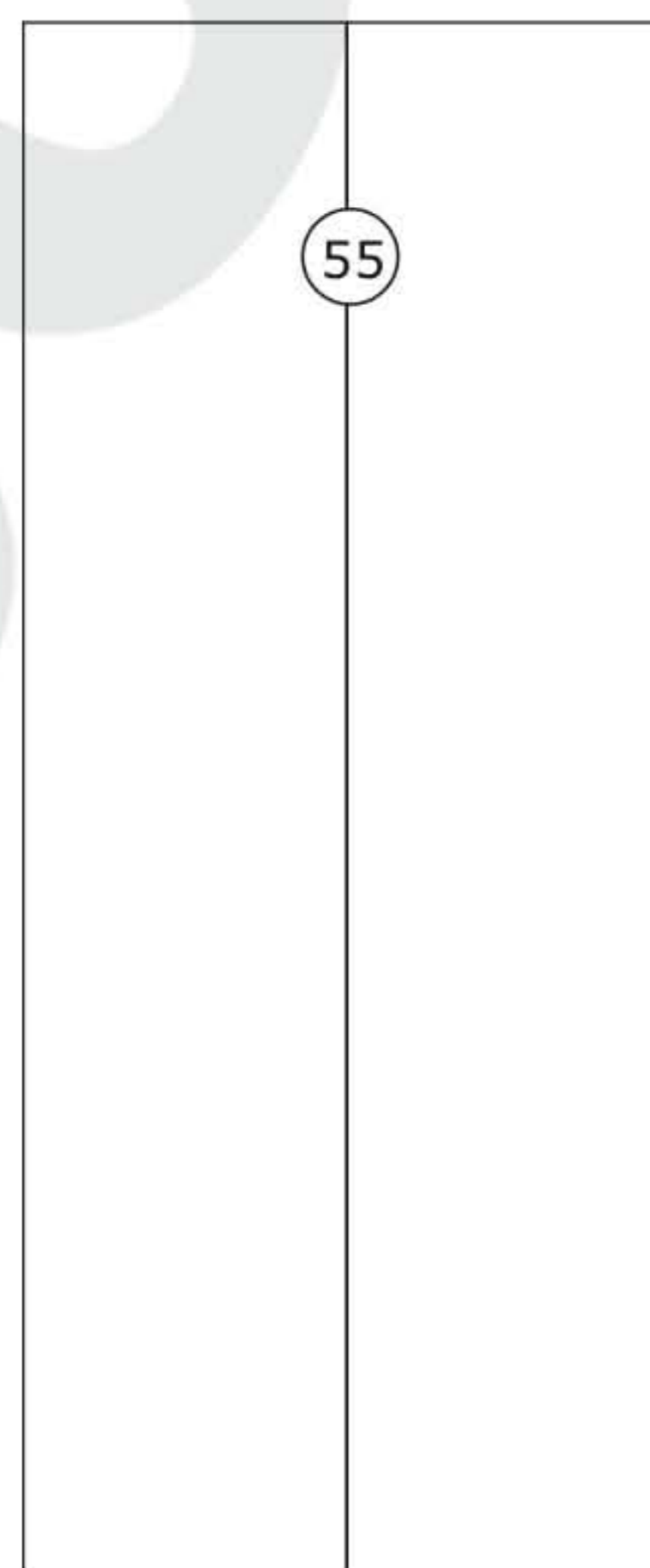
63 **x2**

1764x336x16 mm



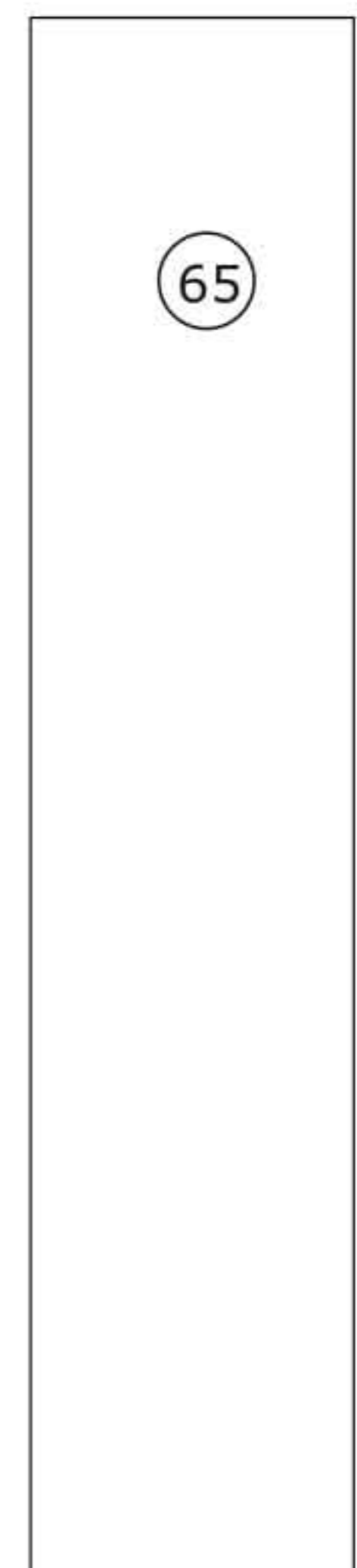
62

1738x50x16 mm



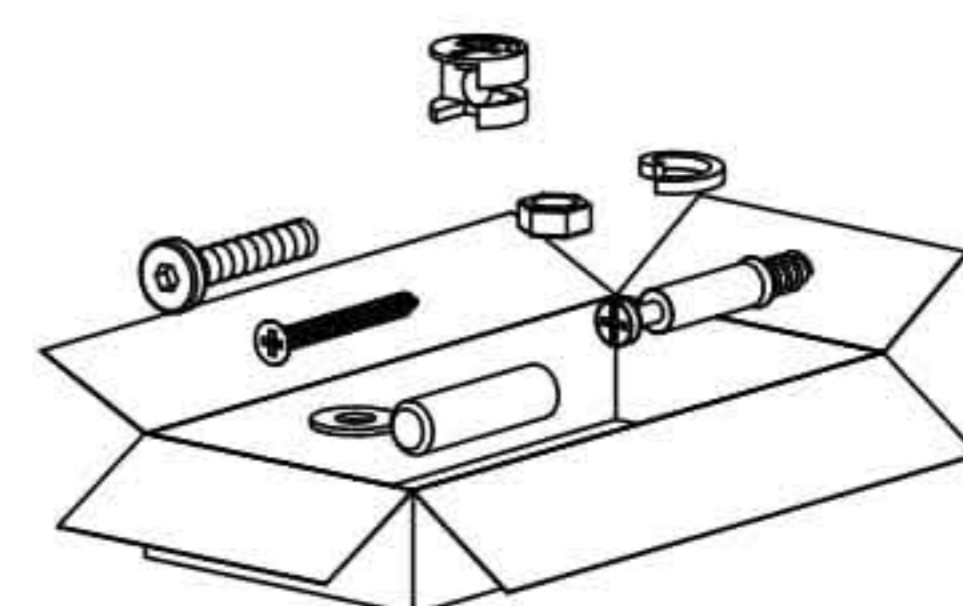
55

1766x732x3 mm


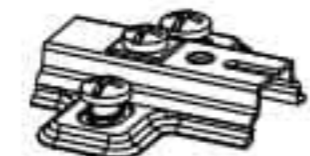


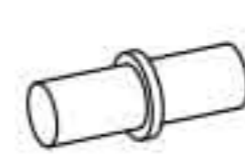



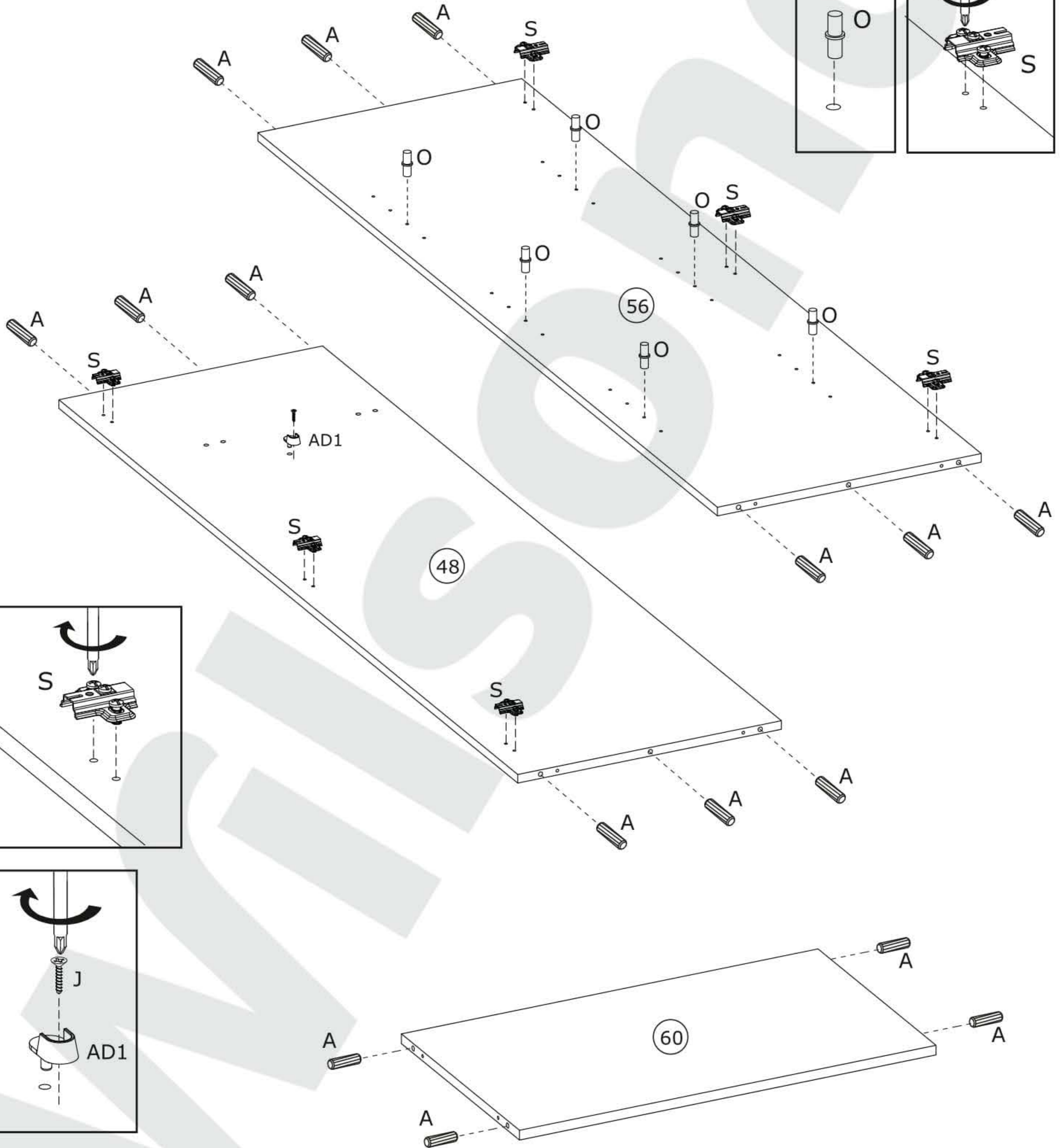
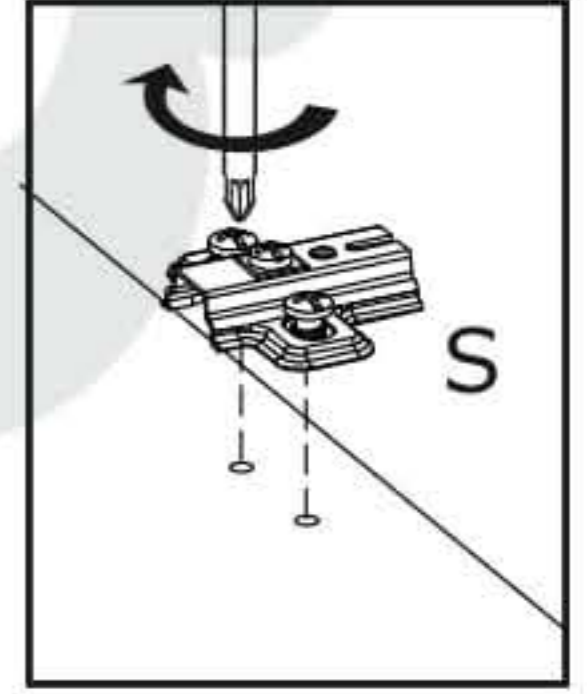
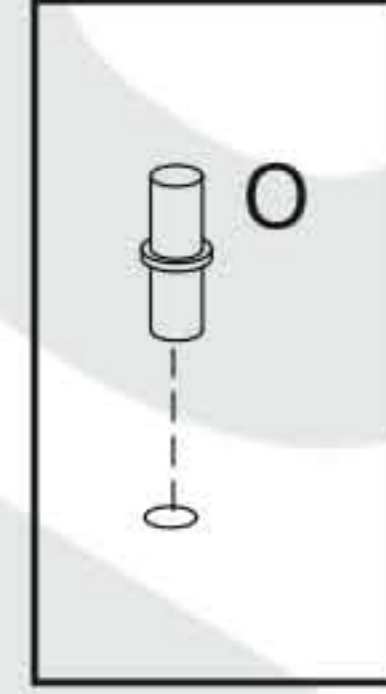
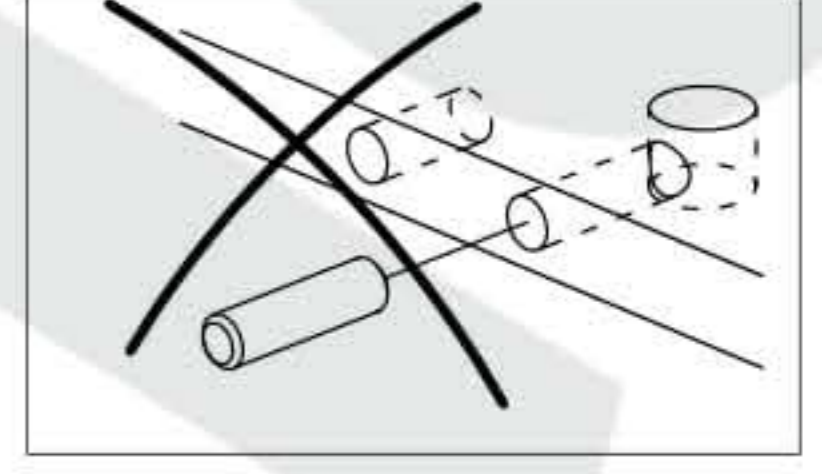
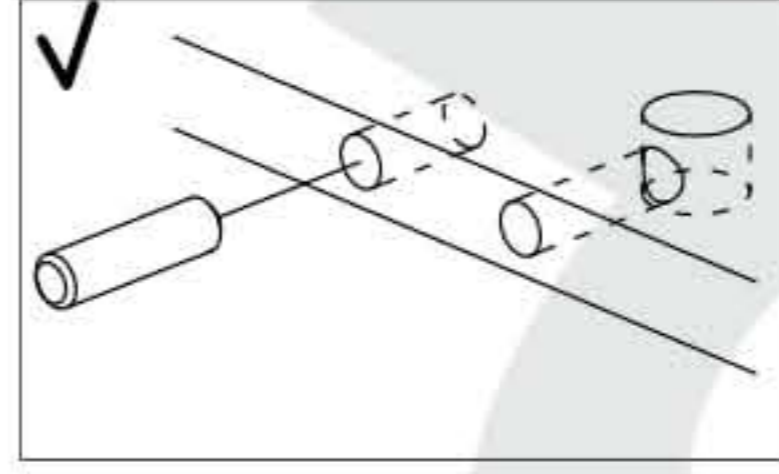
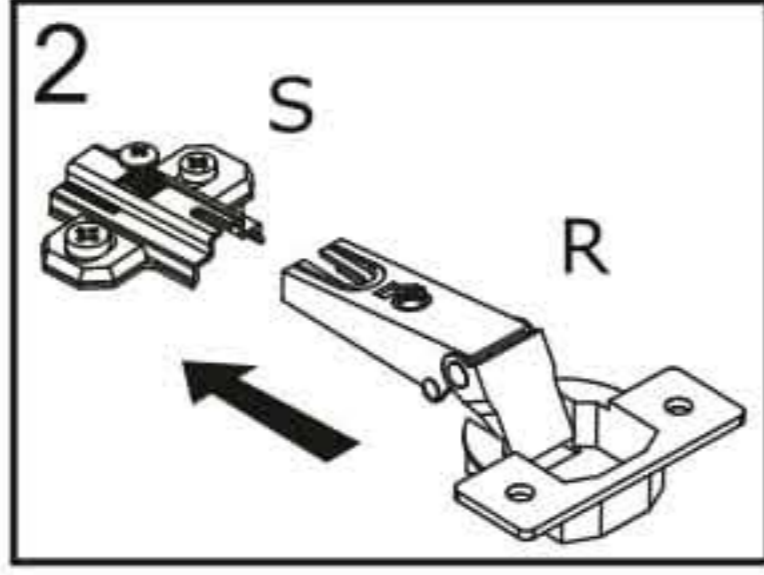
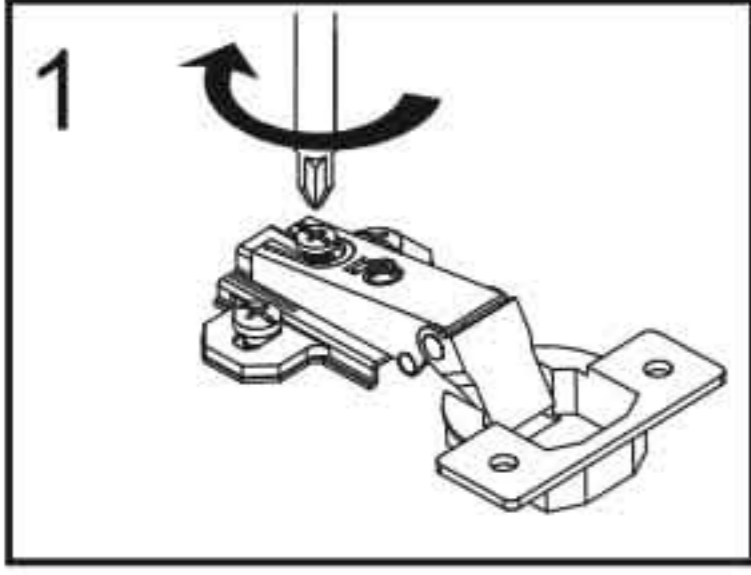
65

1766x366x3 mm


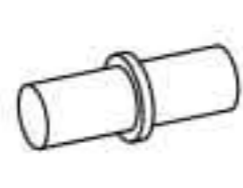

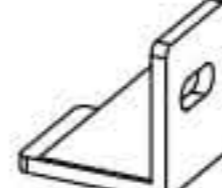



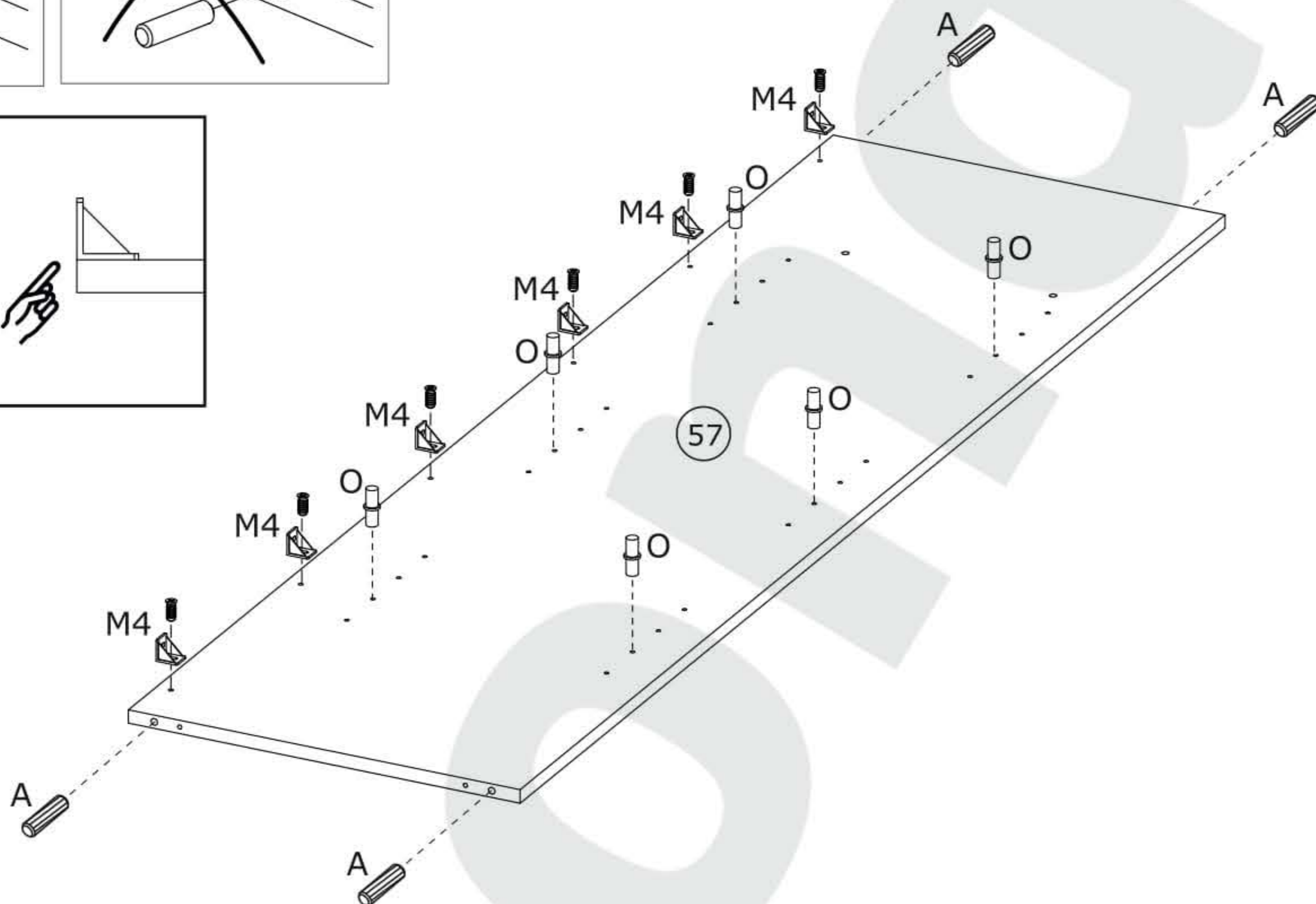
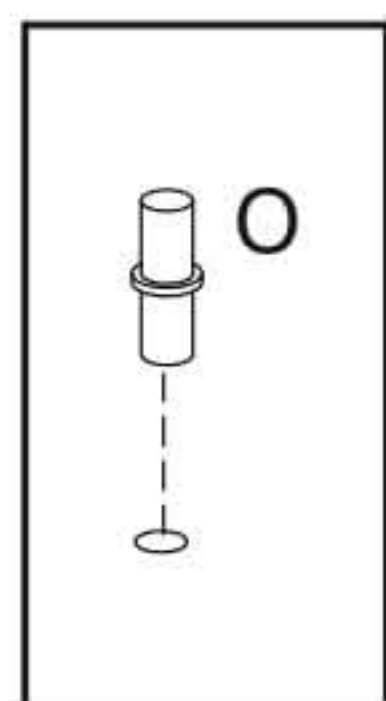
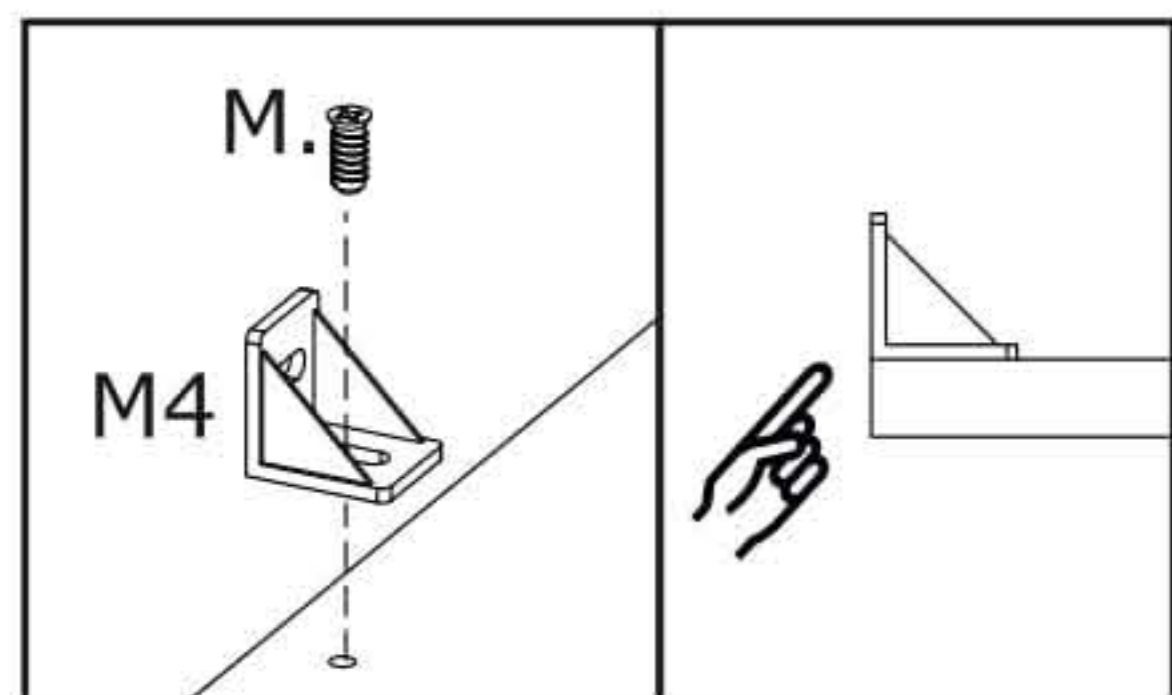
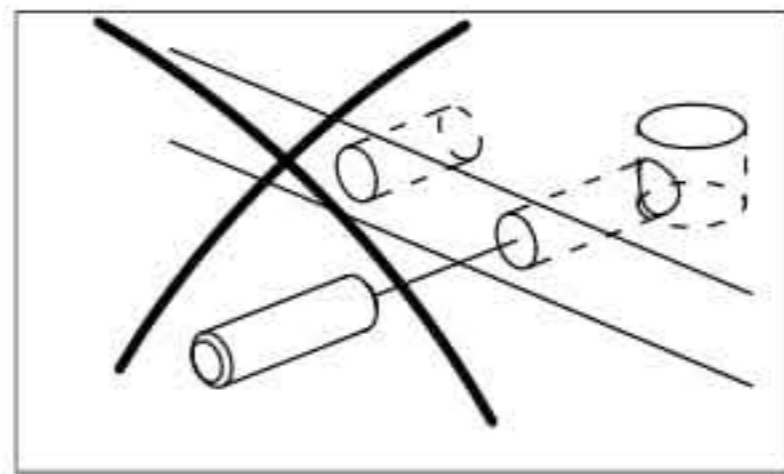
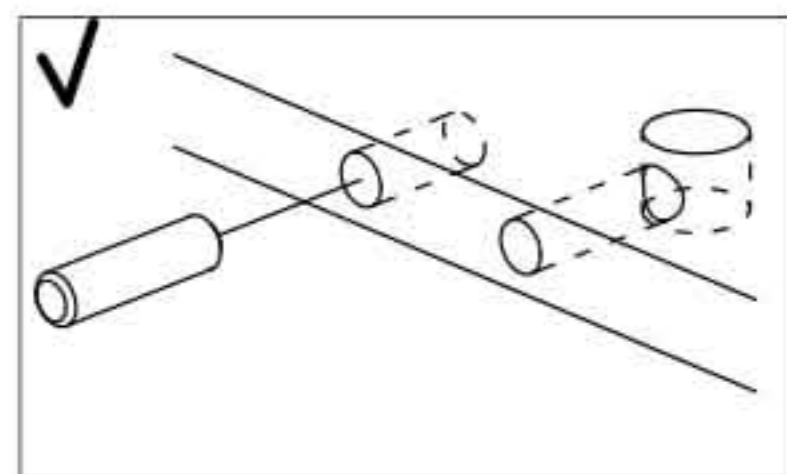
1

A x 16  Ø8x35 mm	S x 6 	J x 1  3,5x16 mm	AD1 x 1 	O x 6  Ø5 mm	
---	--	---	--	---	---



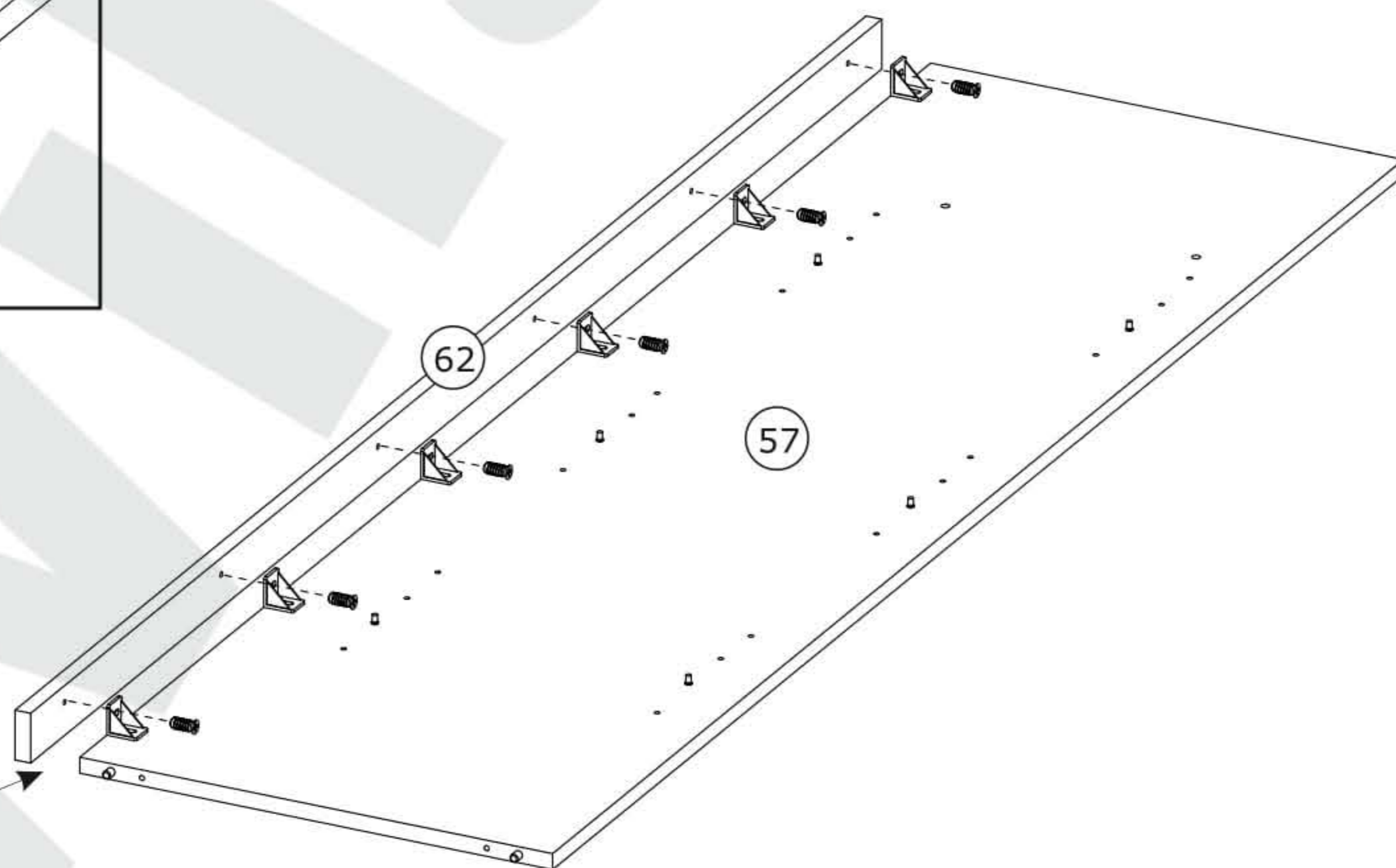
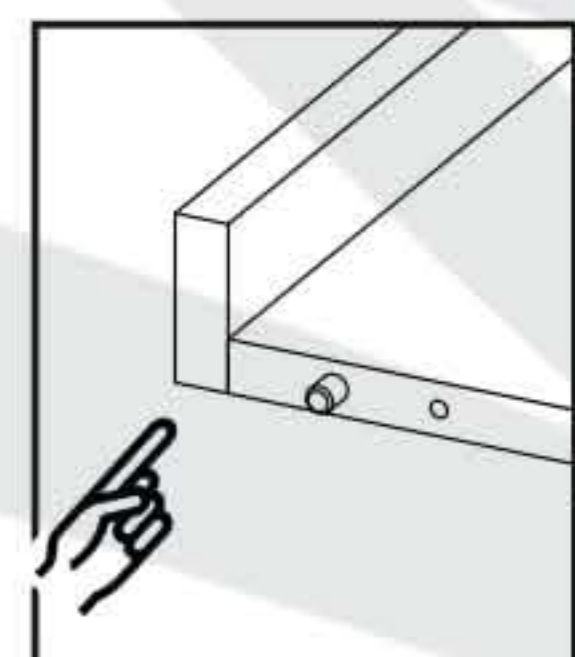
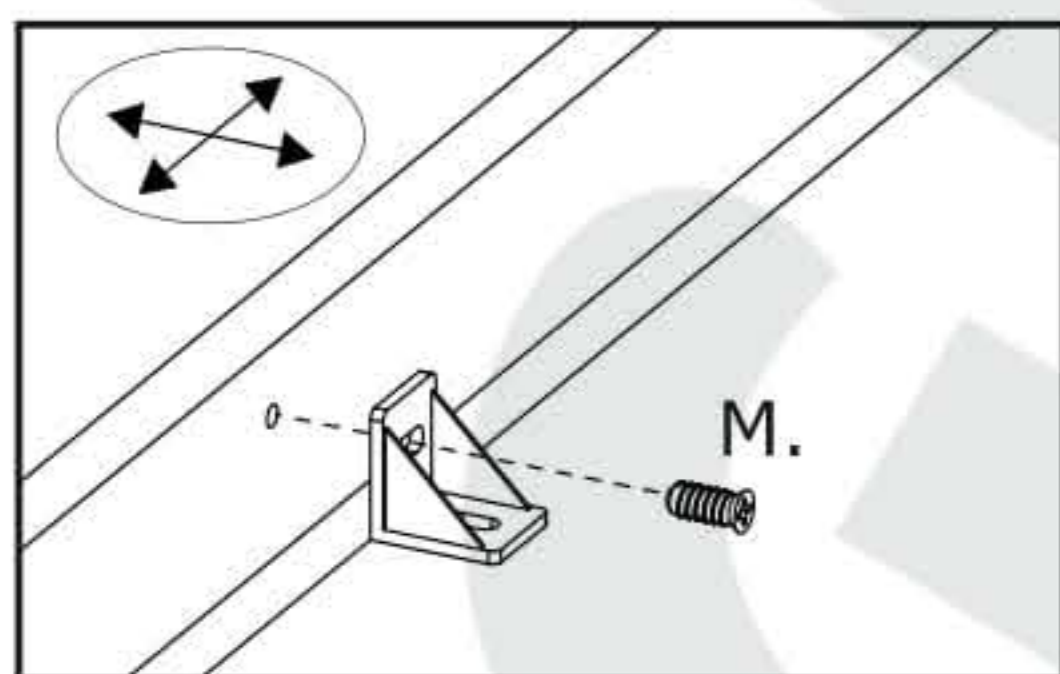
2

A x 4  Ø8x35 mm	O x 6  Ø5 mm	M. x 6  Ø6,3x13 mm	M4 x 6 	
--	---	---	---	---





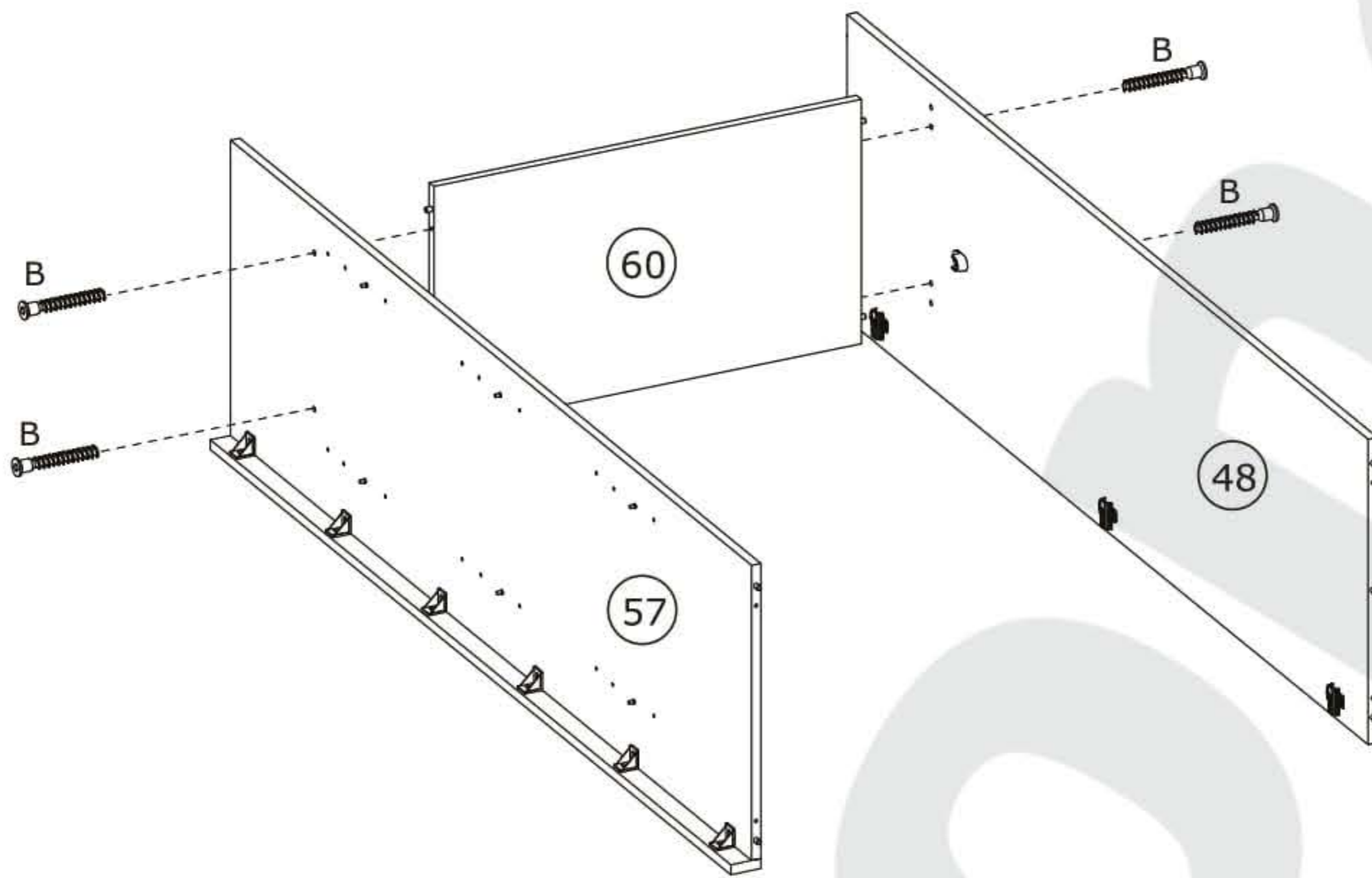
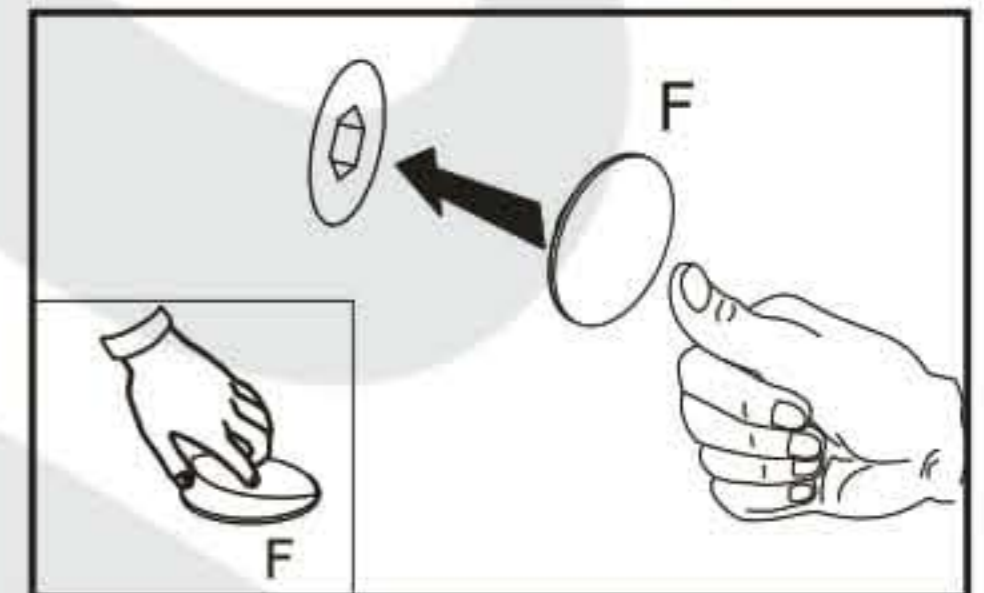
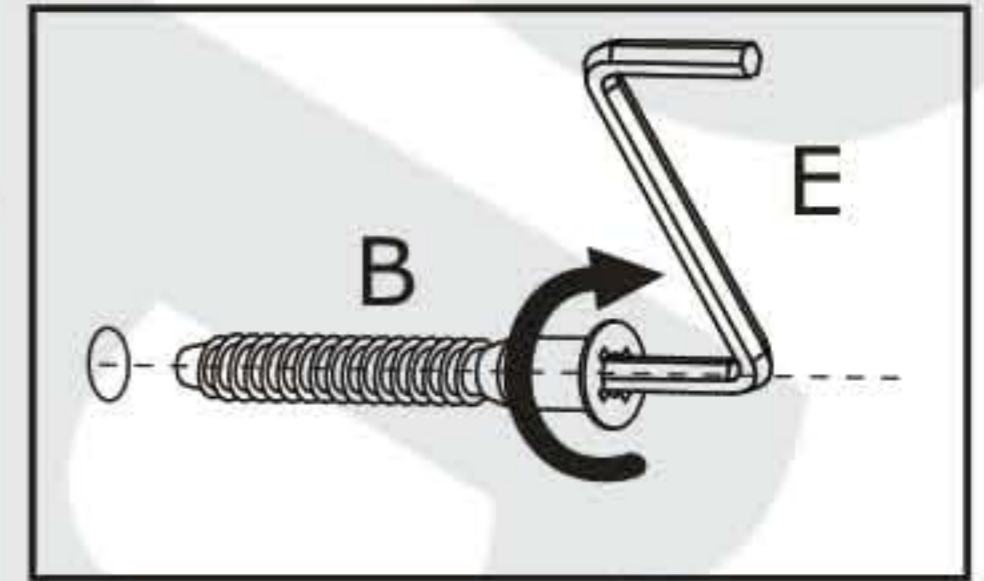
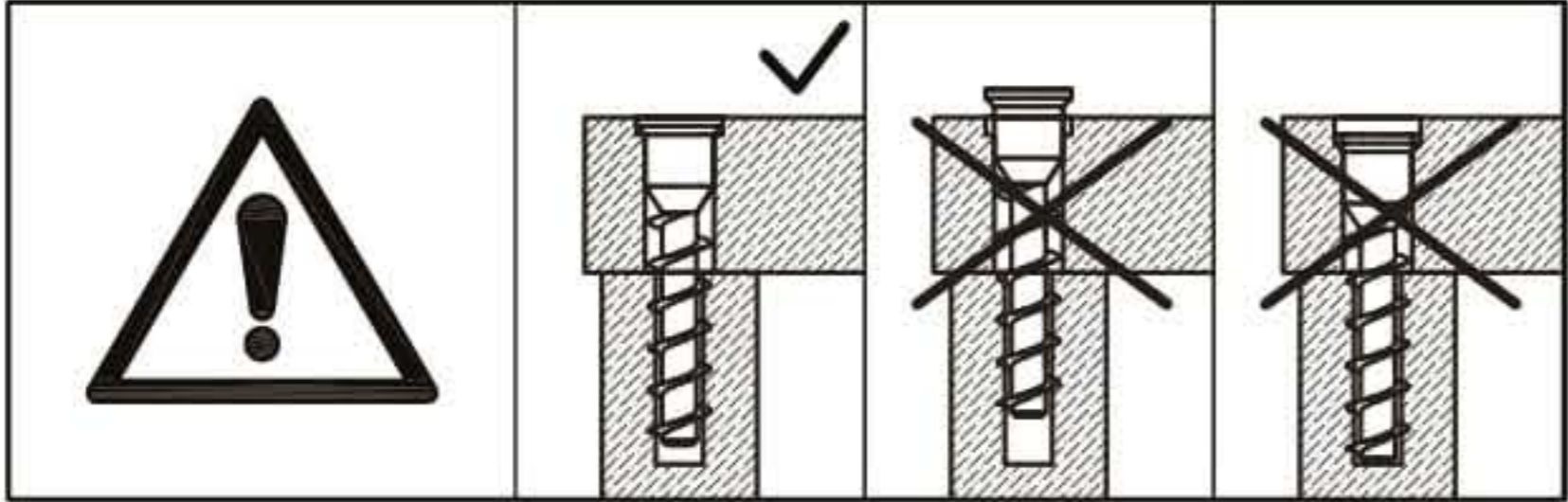
3

M. x 6  Ø6,3x13 mm	
---	---



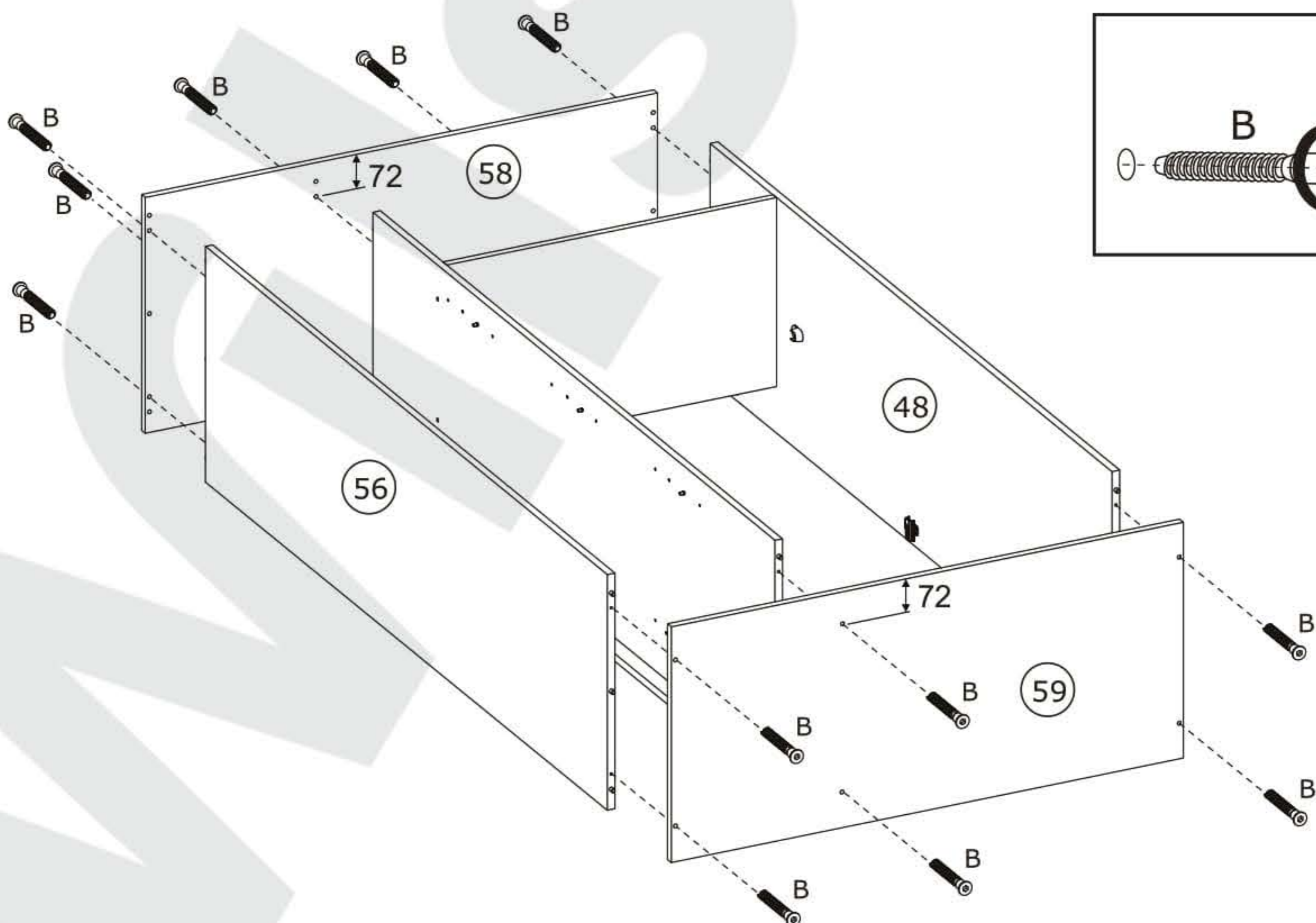
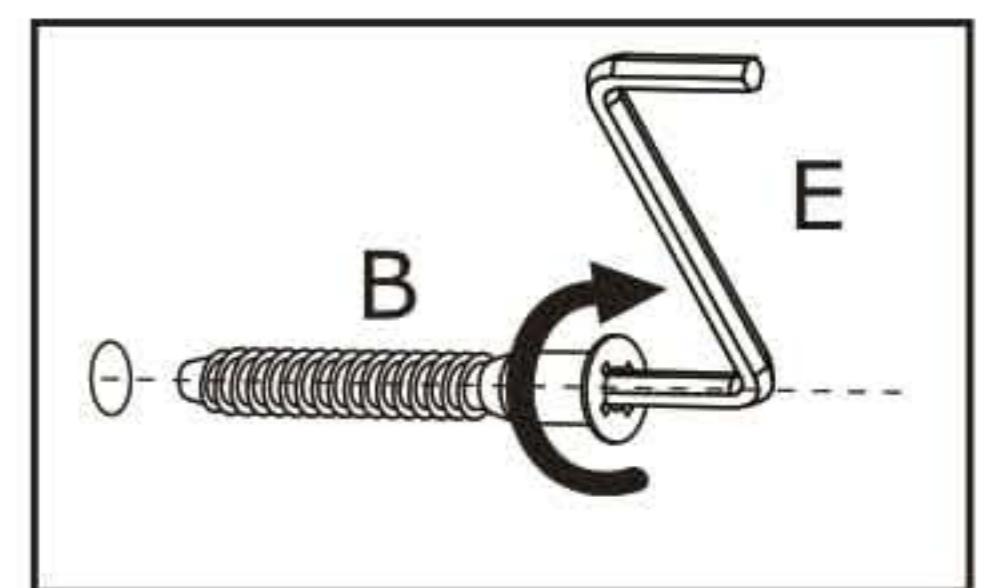
4

<p>B x 4</p>  <p>Ø7x50 mm</p>	<p>E x 1</p>  <p>4 mm</p>	<p>F x 4</p>  <p>20 mm</p>
--	--	---




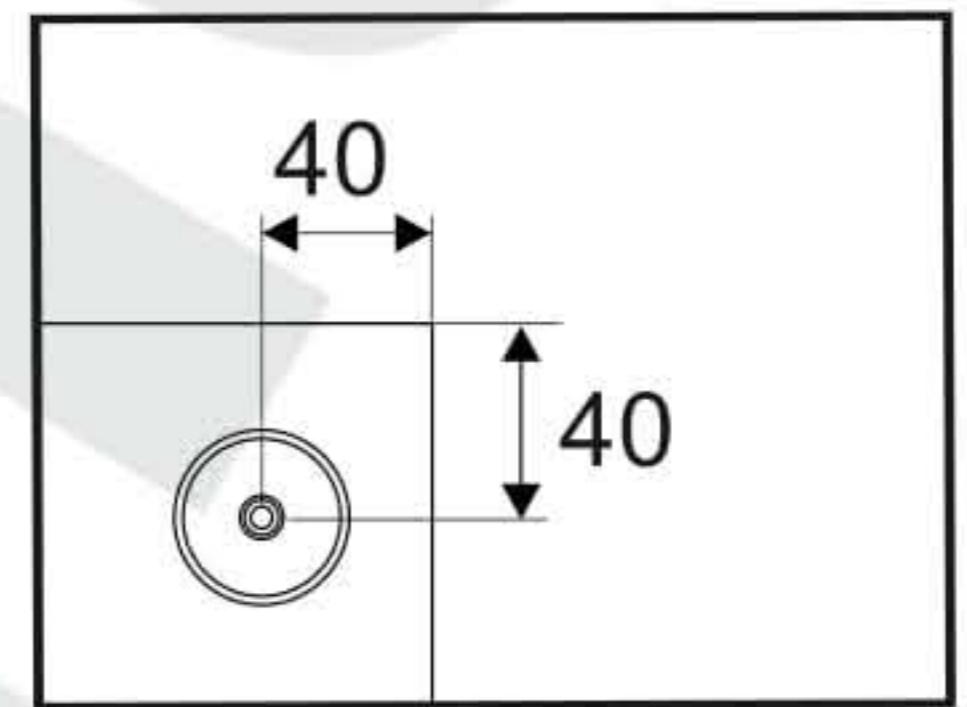
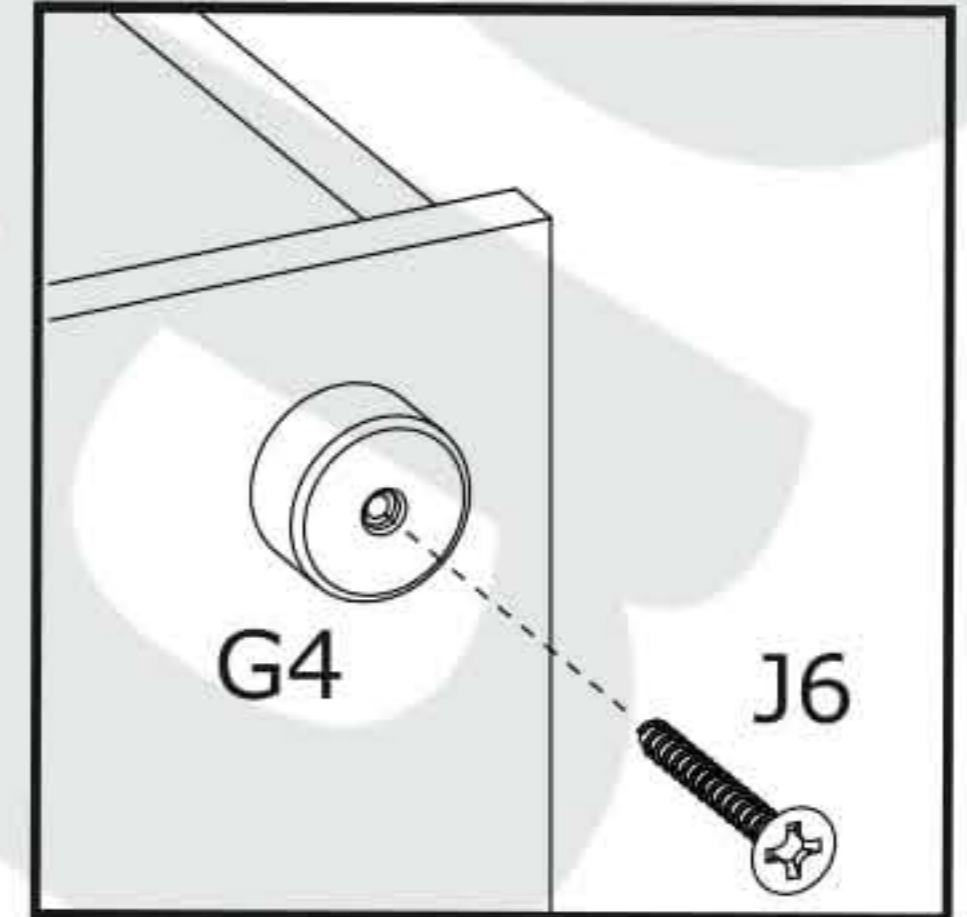
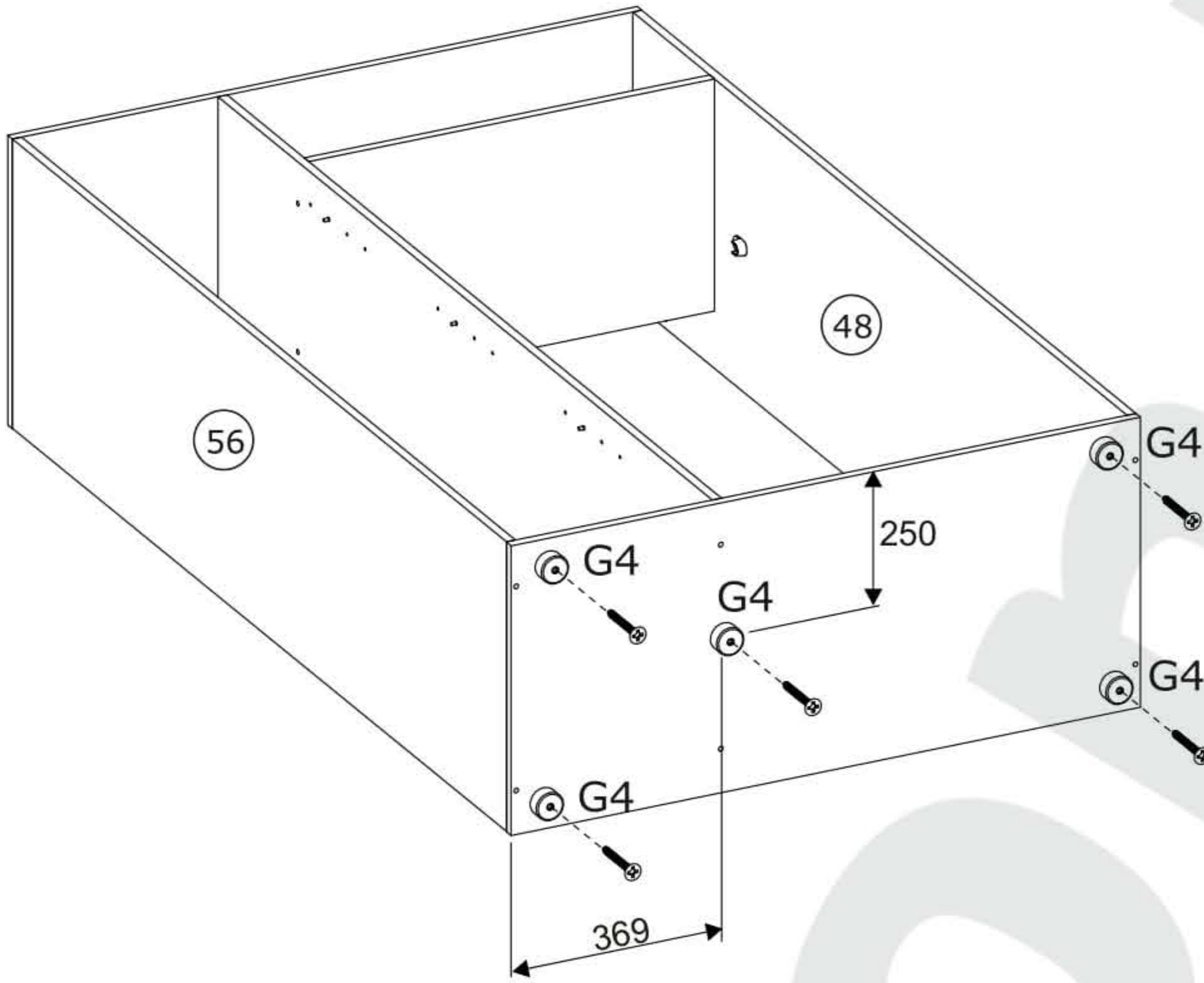
5

<p>B x 12</p>  <p>Ø7x50 mm</p>	<p>E x 1</p>  <p>4 mm</p>
---	--

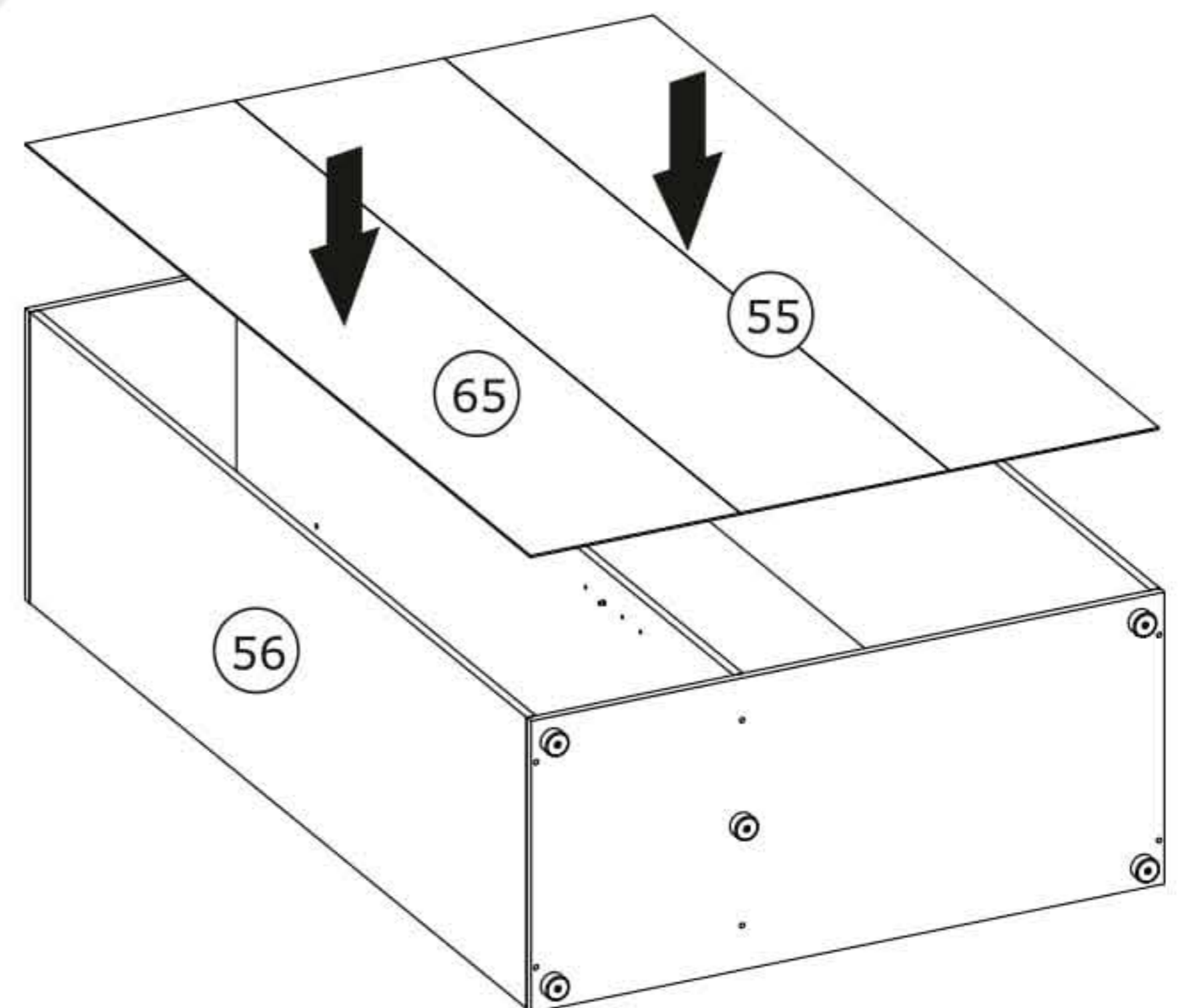
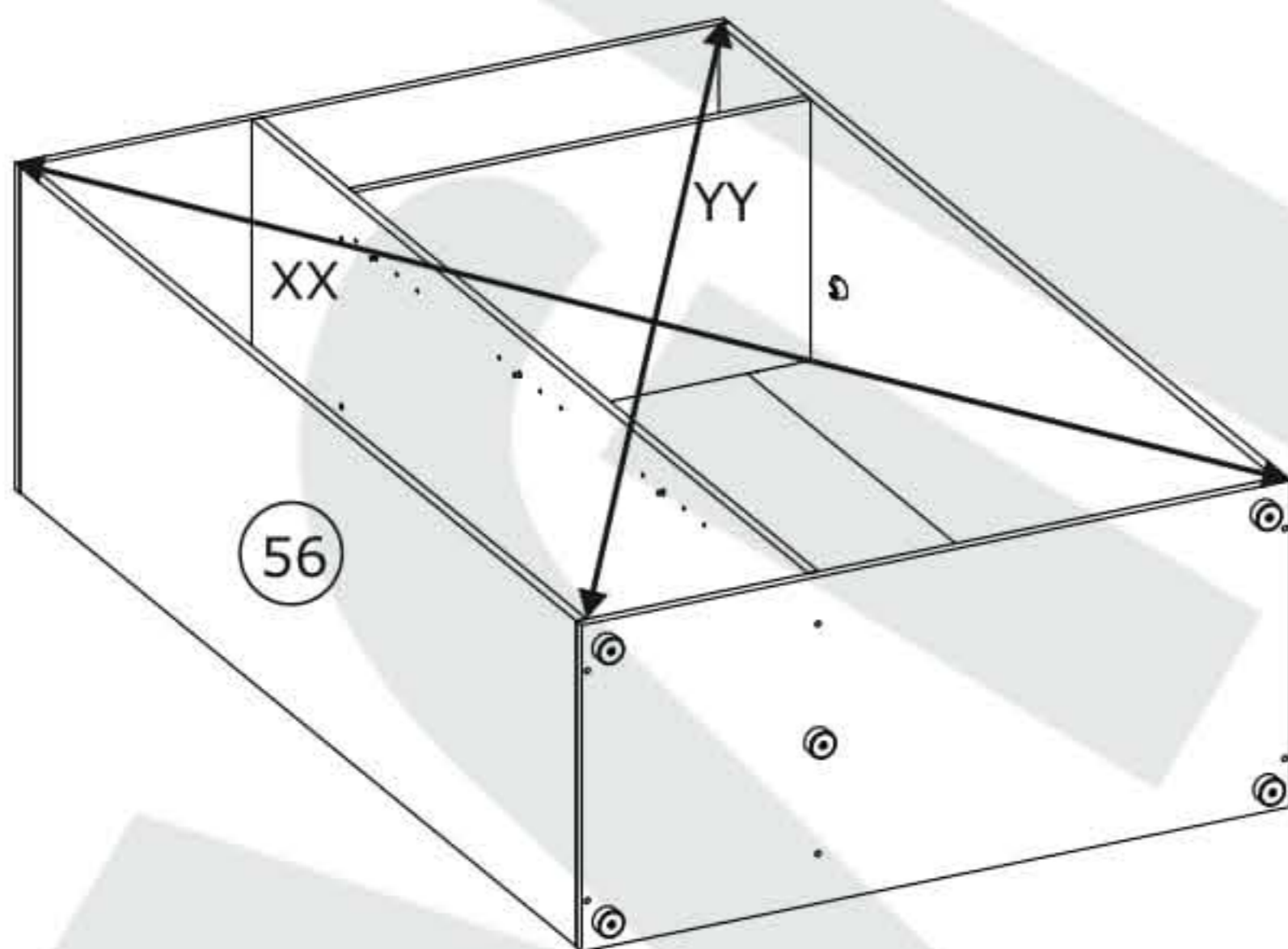



6

G4 x 5 	J6 x 5 4x30 mm 	
---	--	---




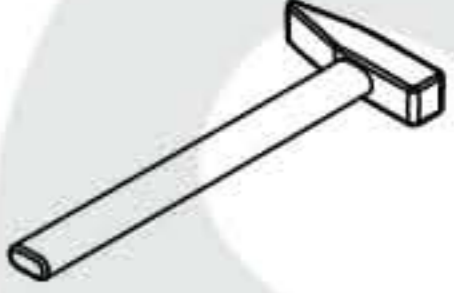
7

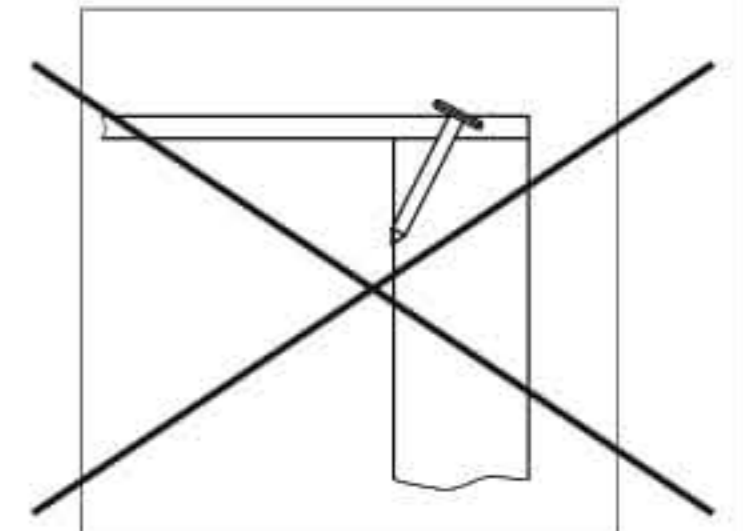
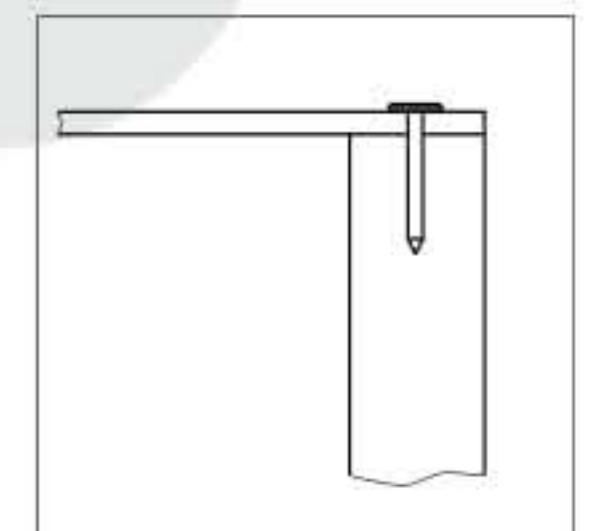
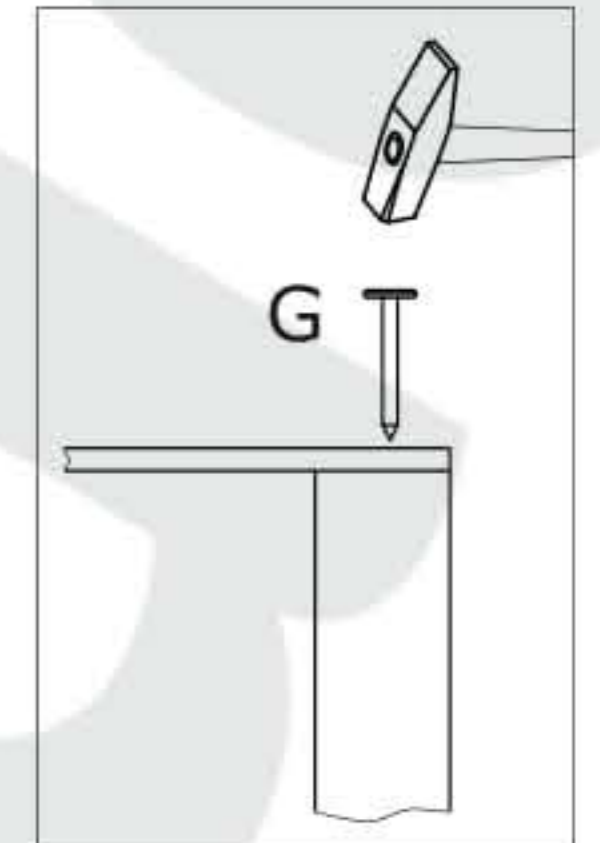
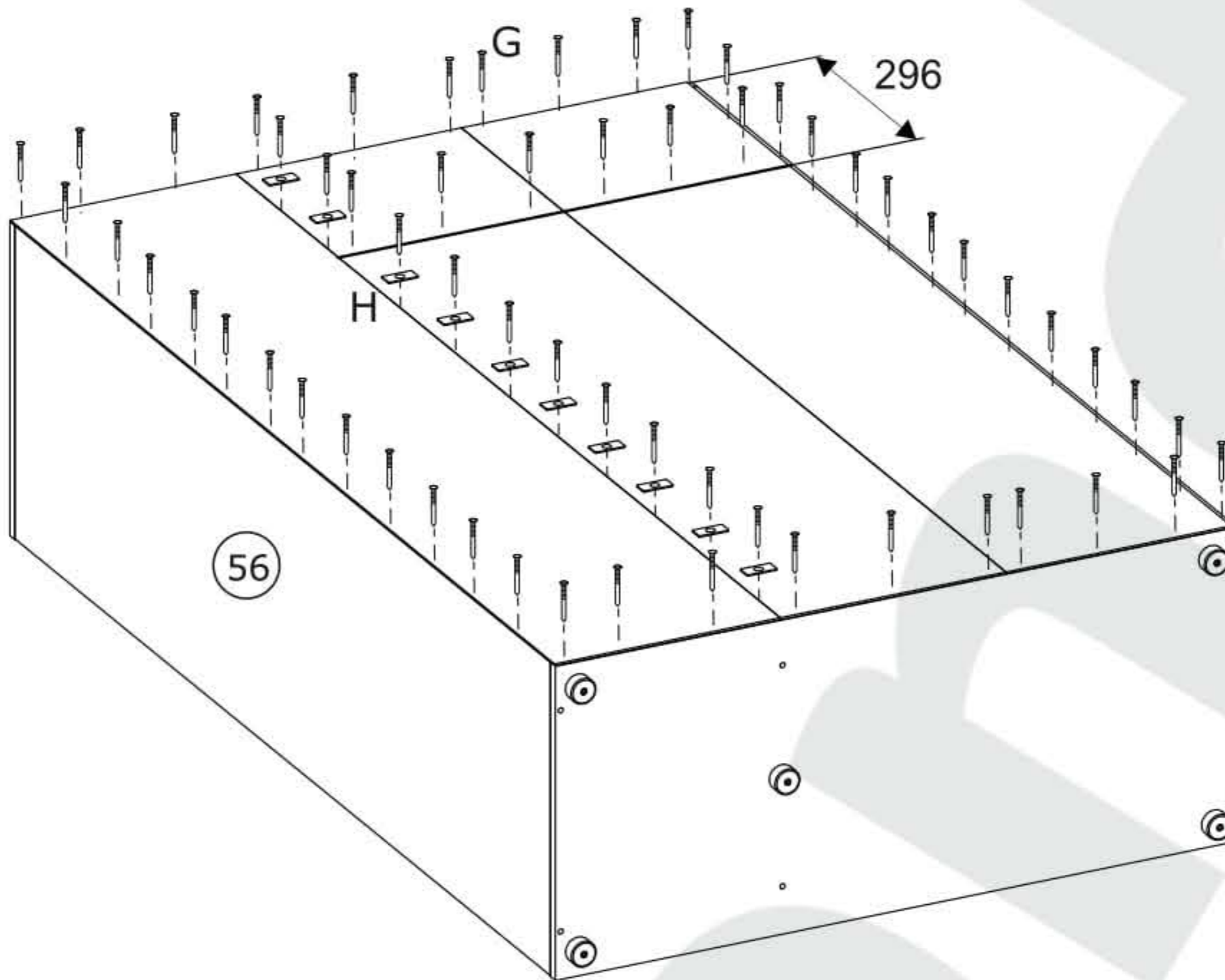
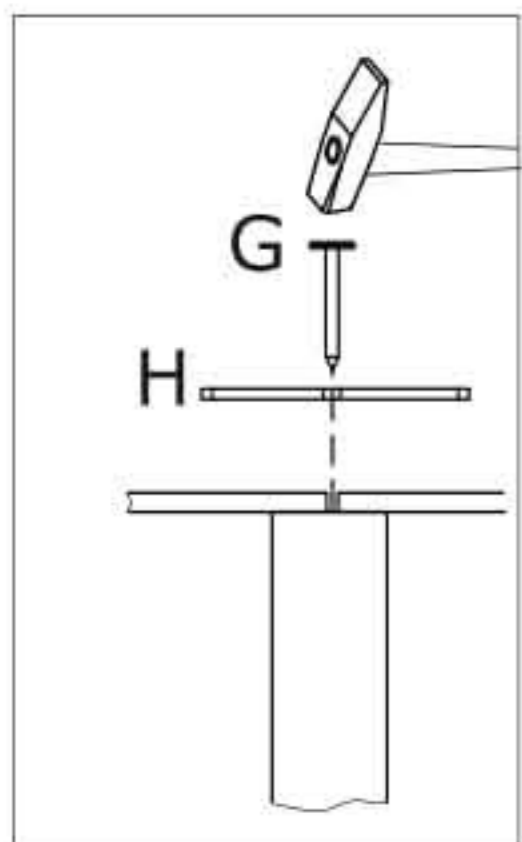


  $XX = YY \equiv 90^\circ$




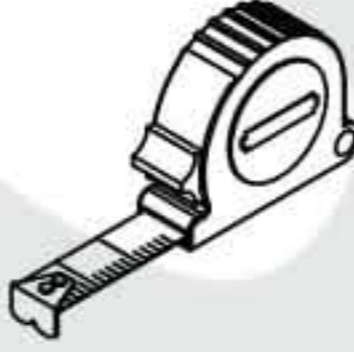

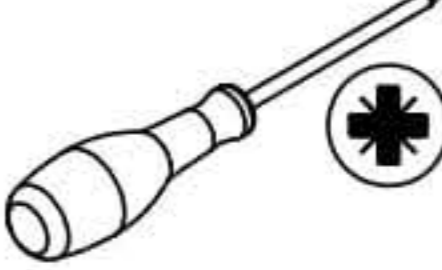



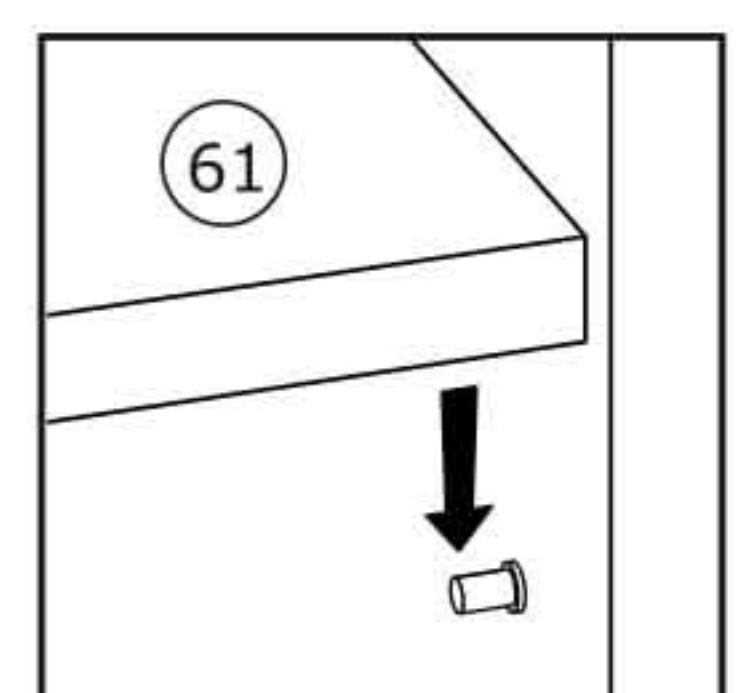
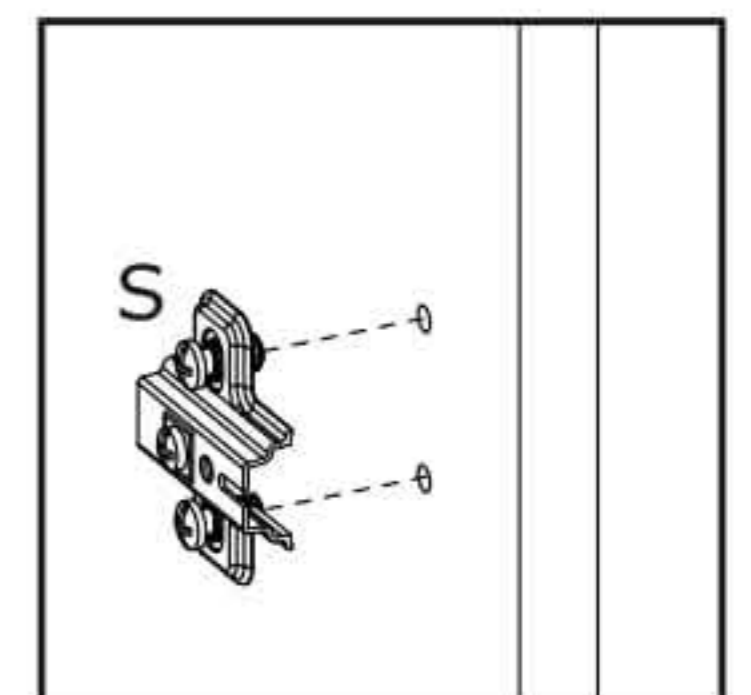
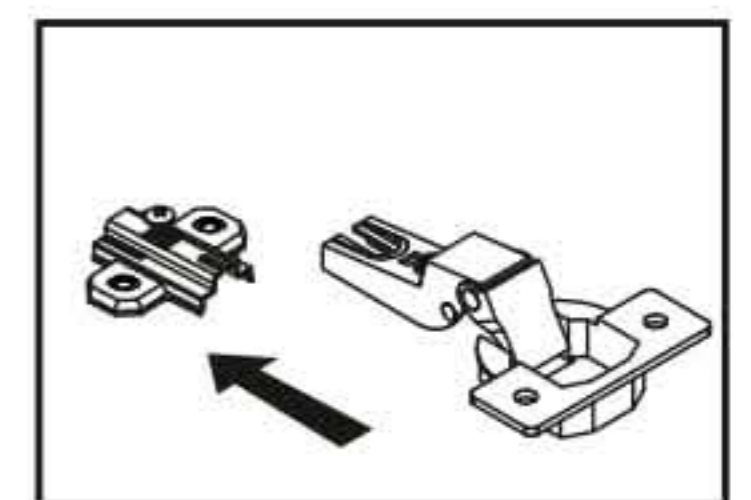
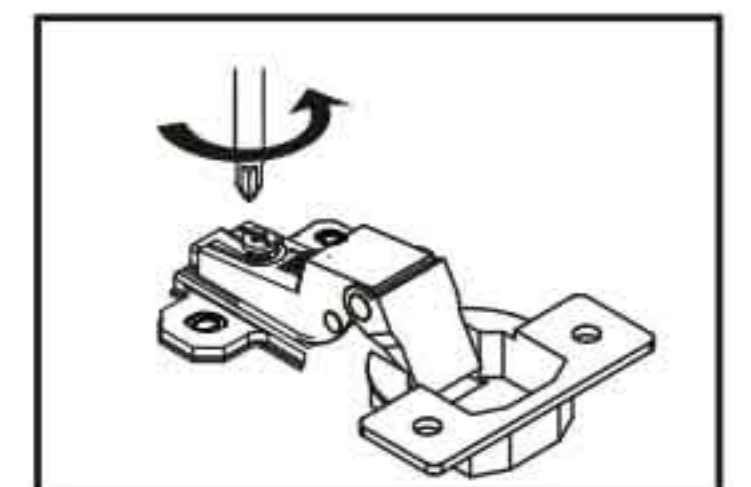
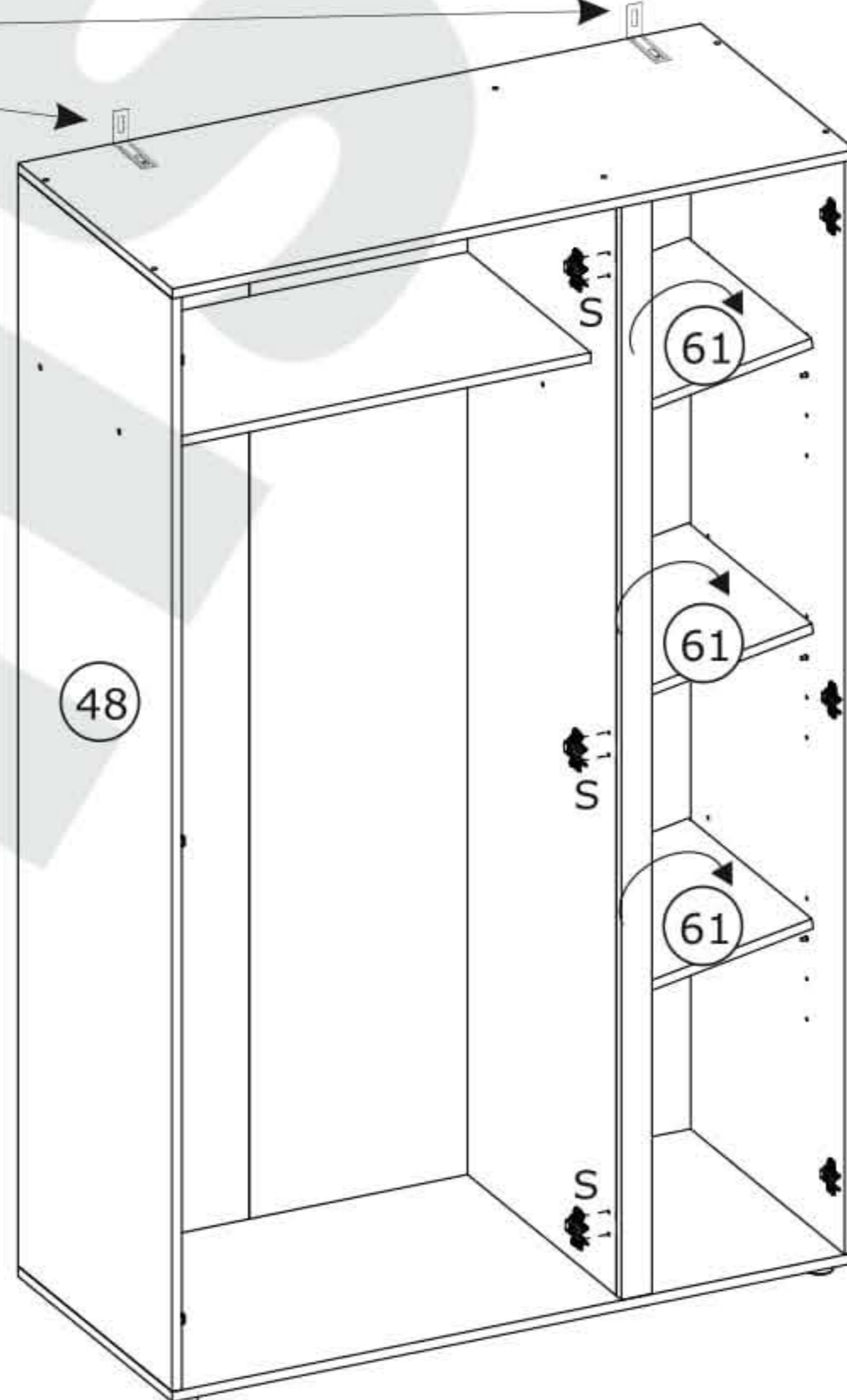
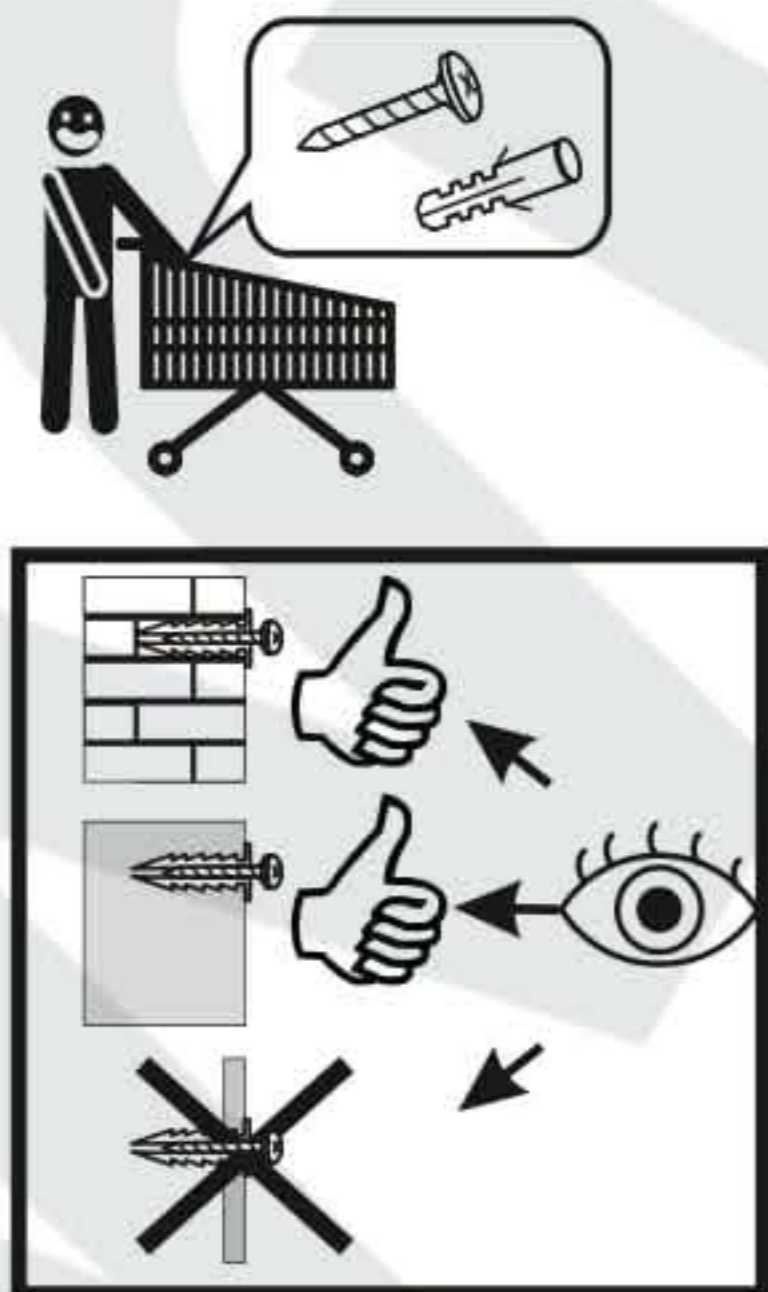
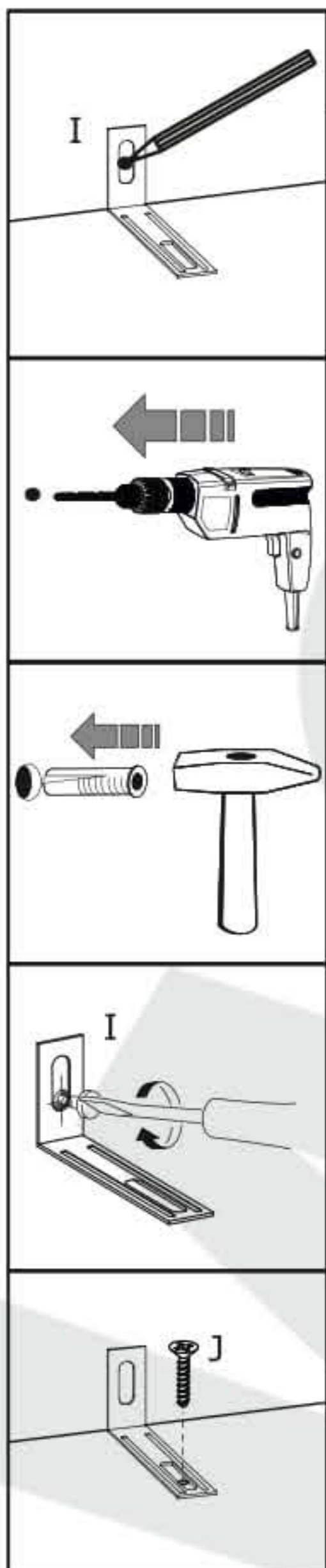
8

G x 60  1.2x25 mm	H x 10  22x9x2 mm	
--	--	---



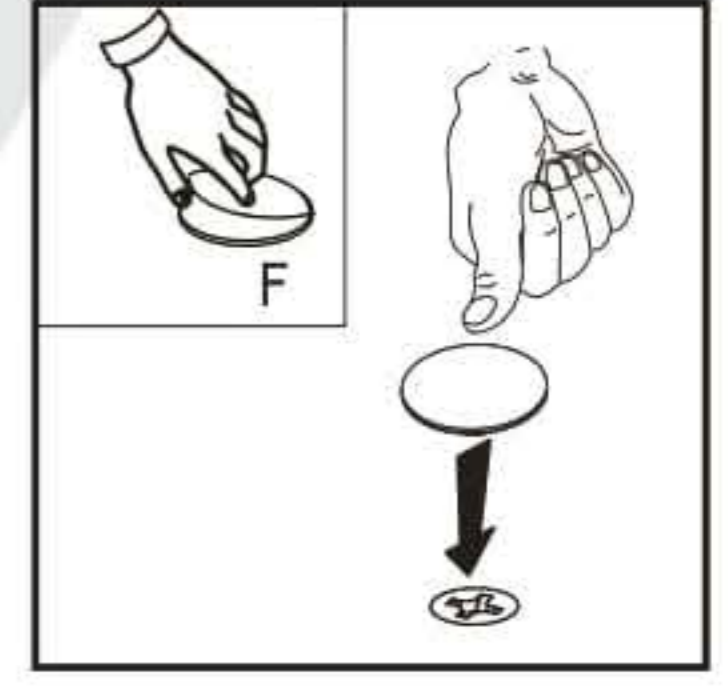
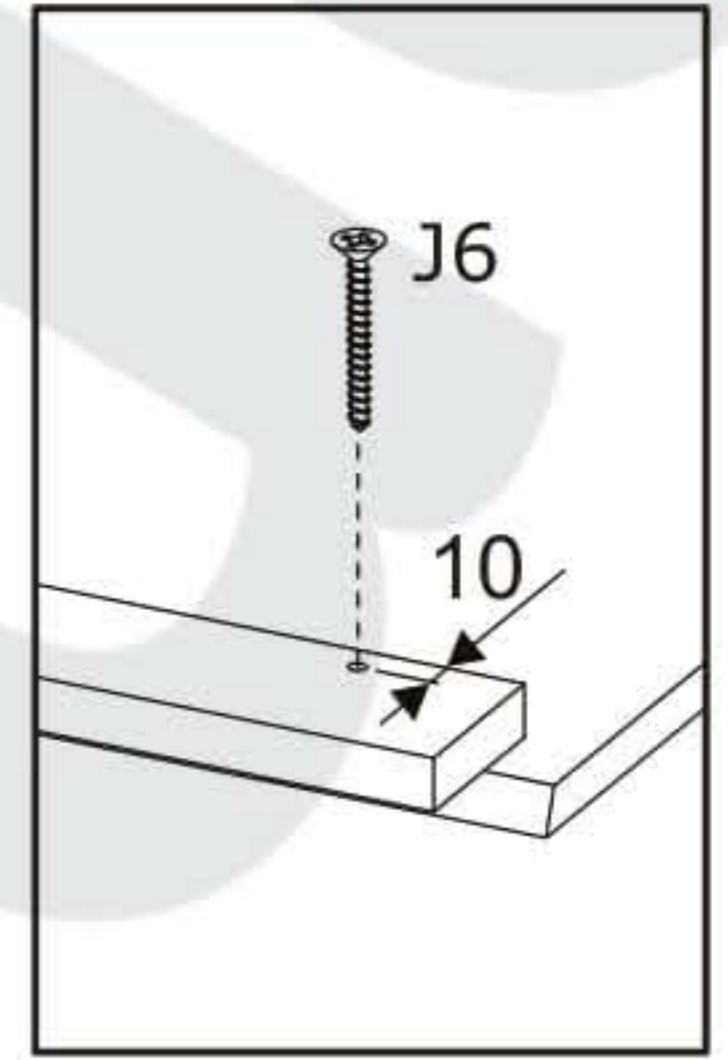
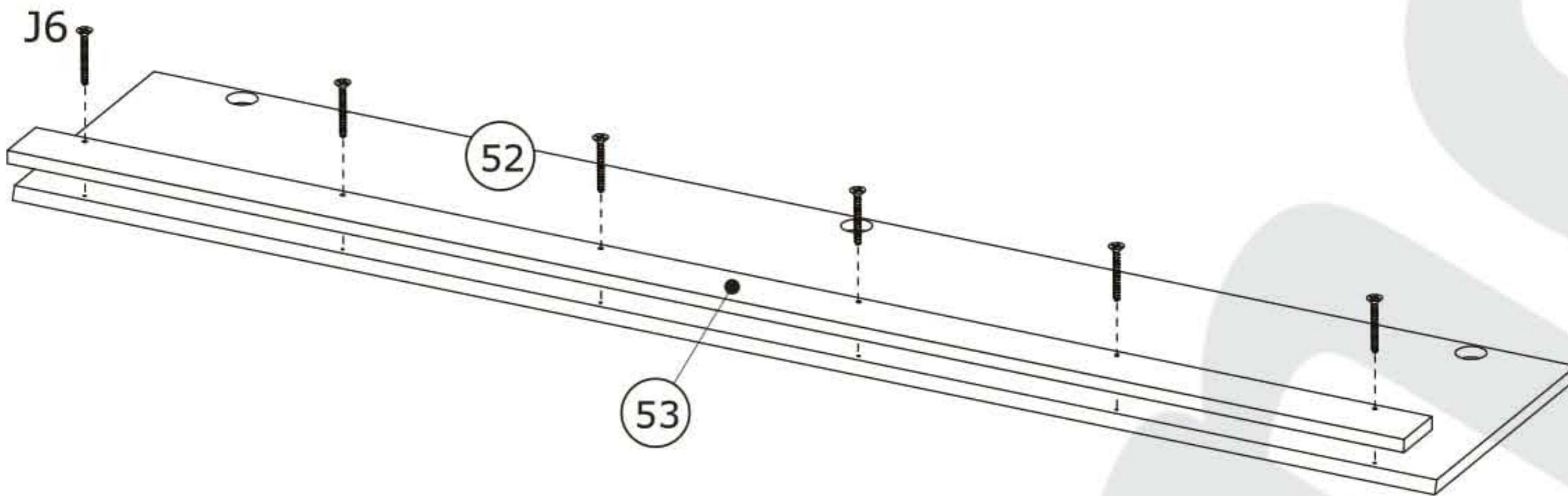
9

I x 2 	J x 2  3,5x16 mm	S x 3 				
--	---	---	---	---	---	---



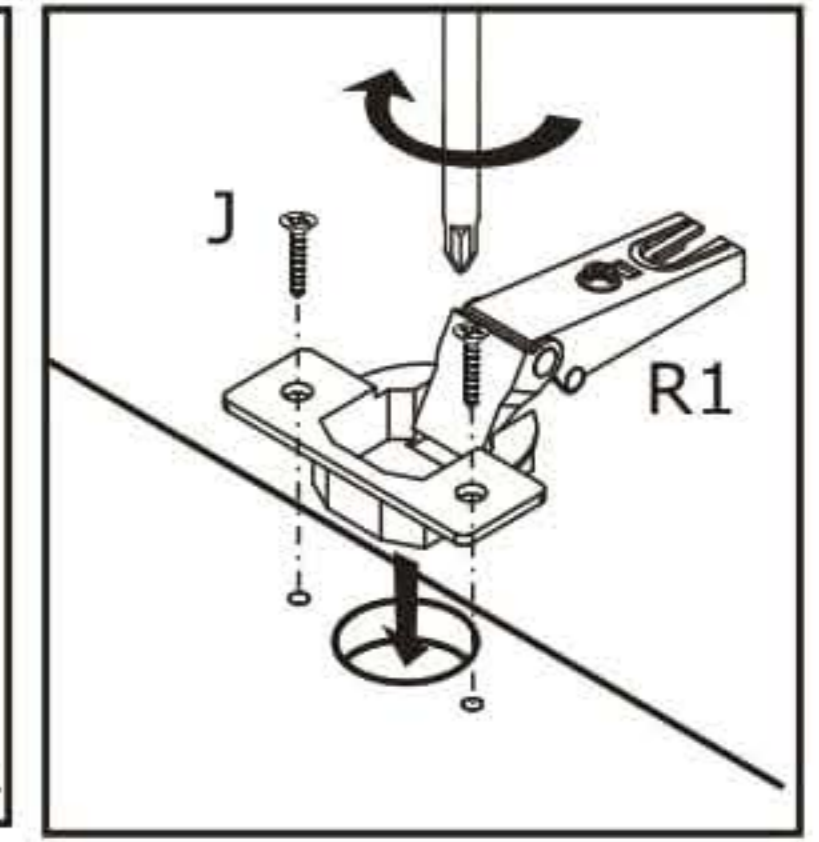
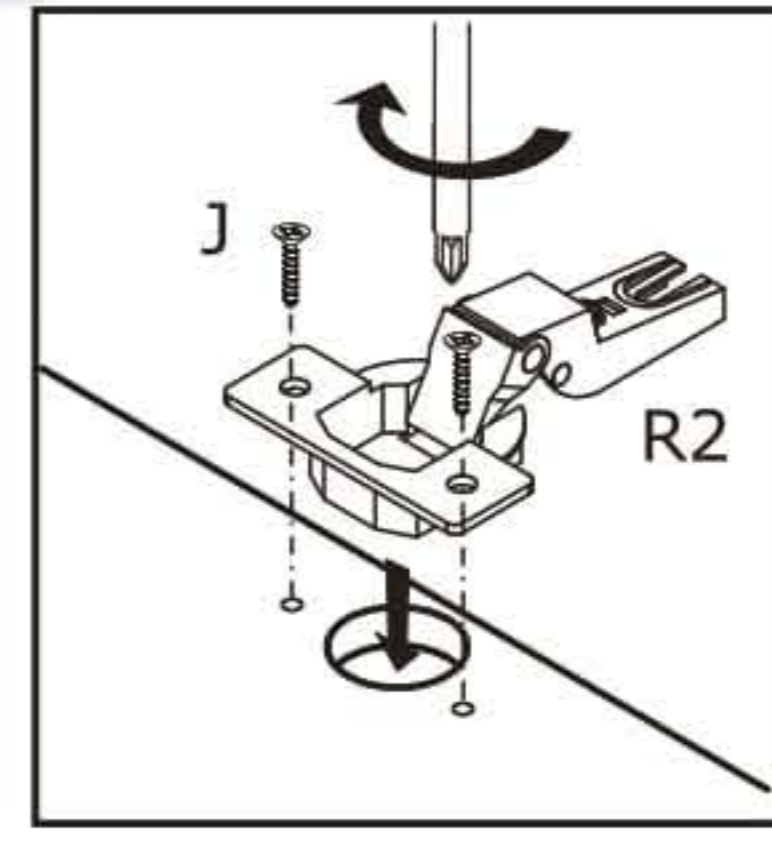
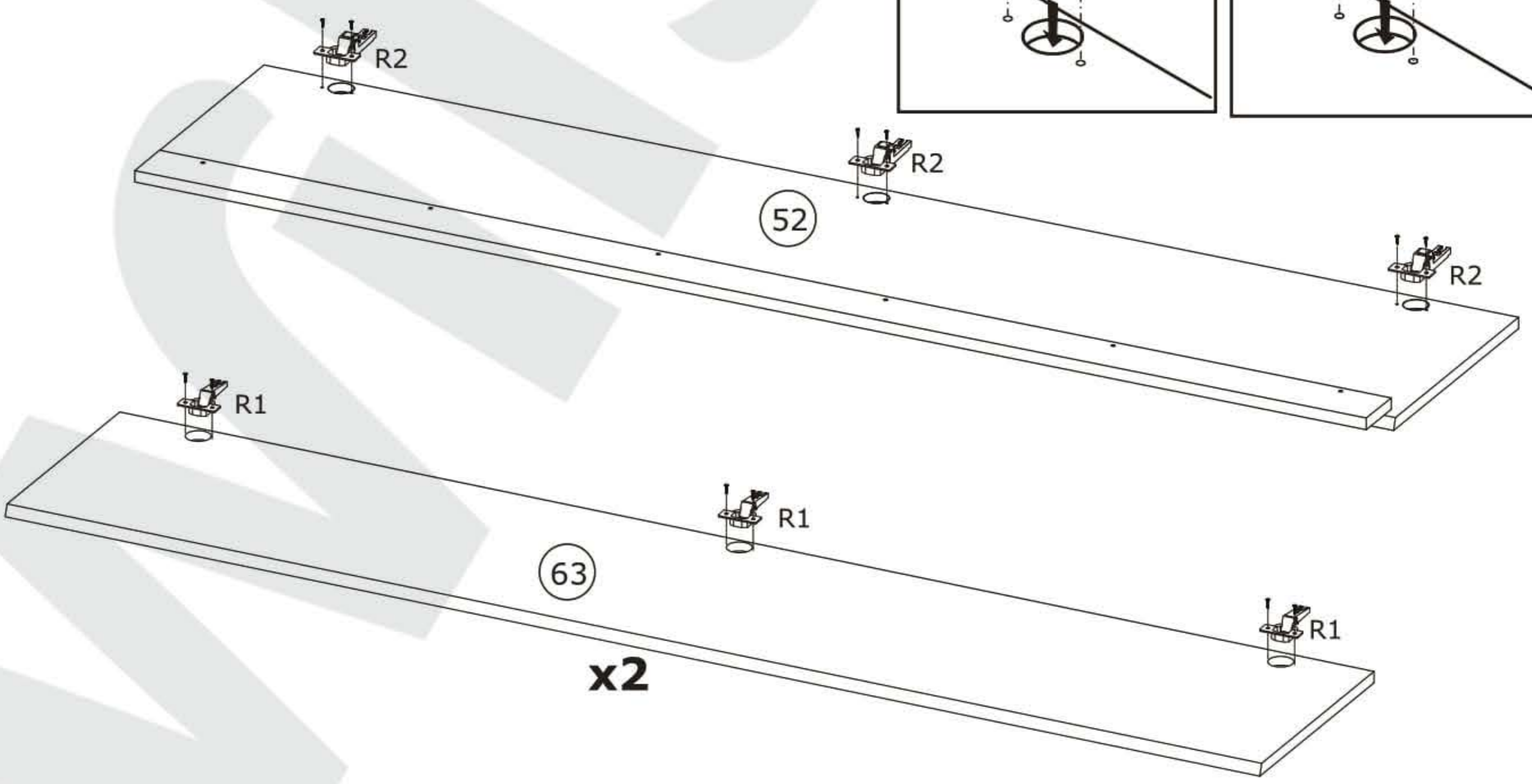
10

J6 x 6  4x30 mm	F x 6  20 mm		
--	---	--	---







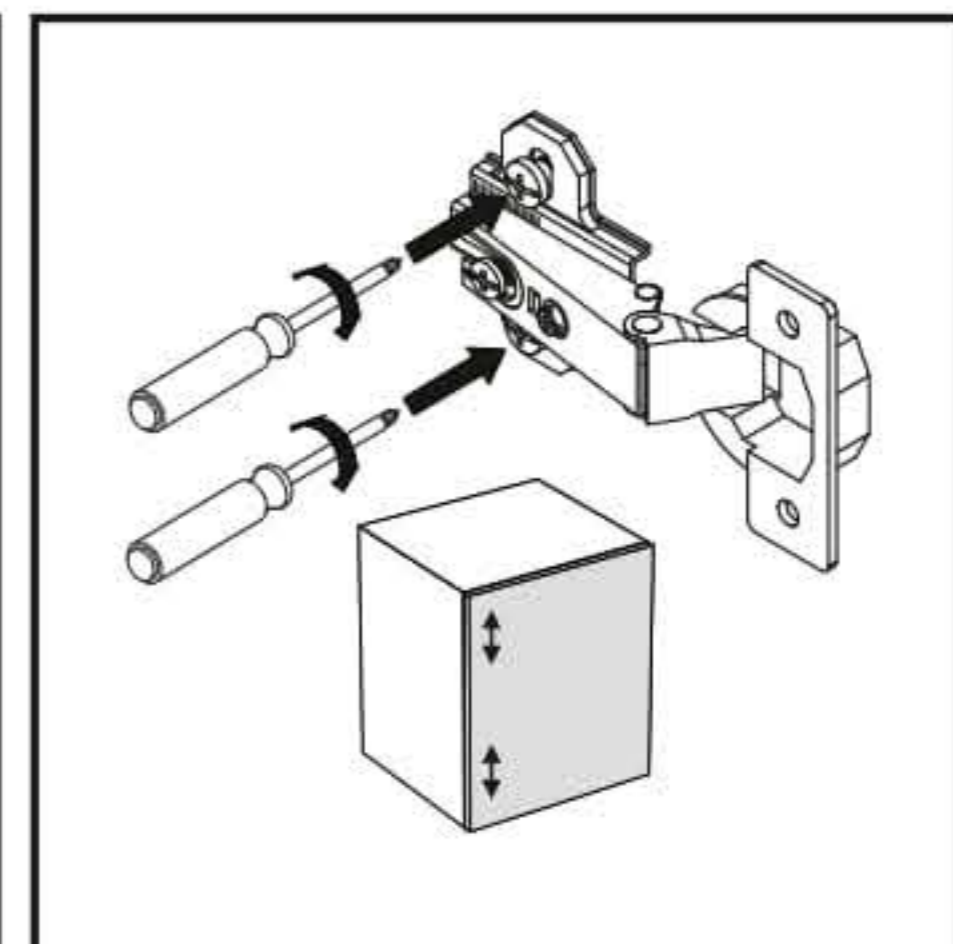
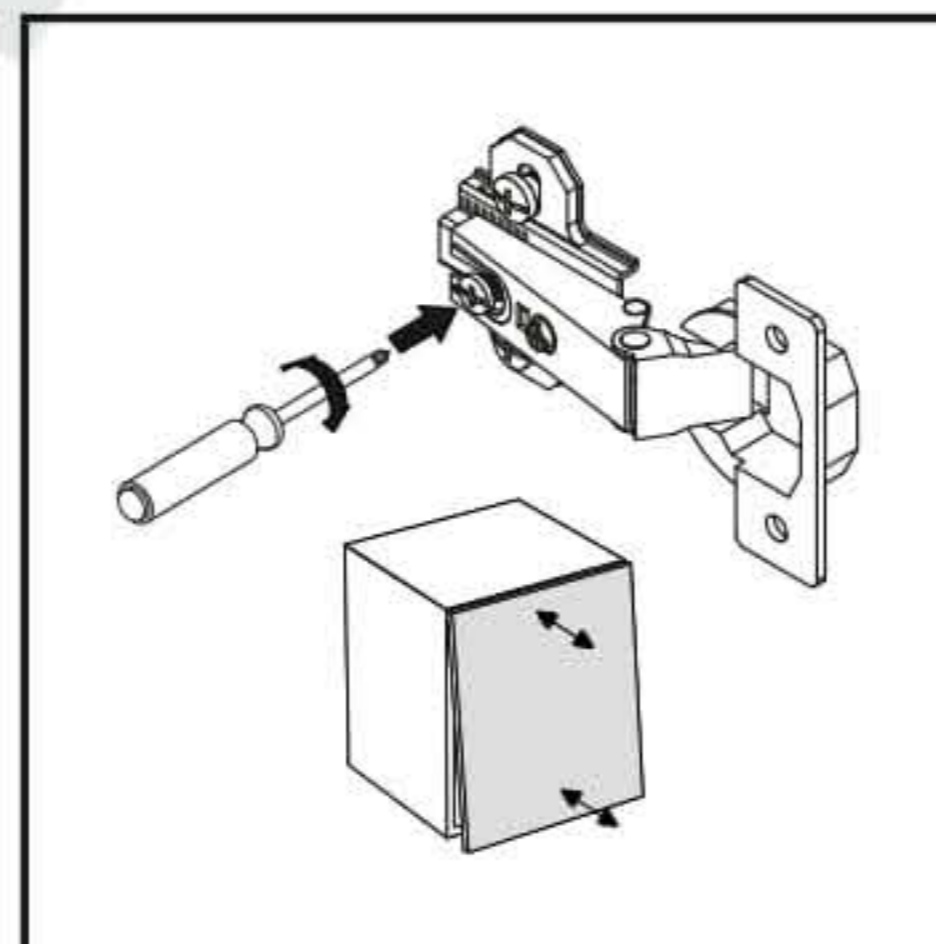
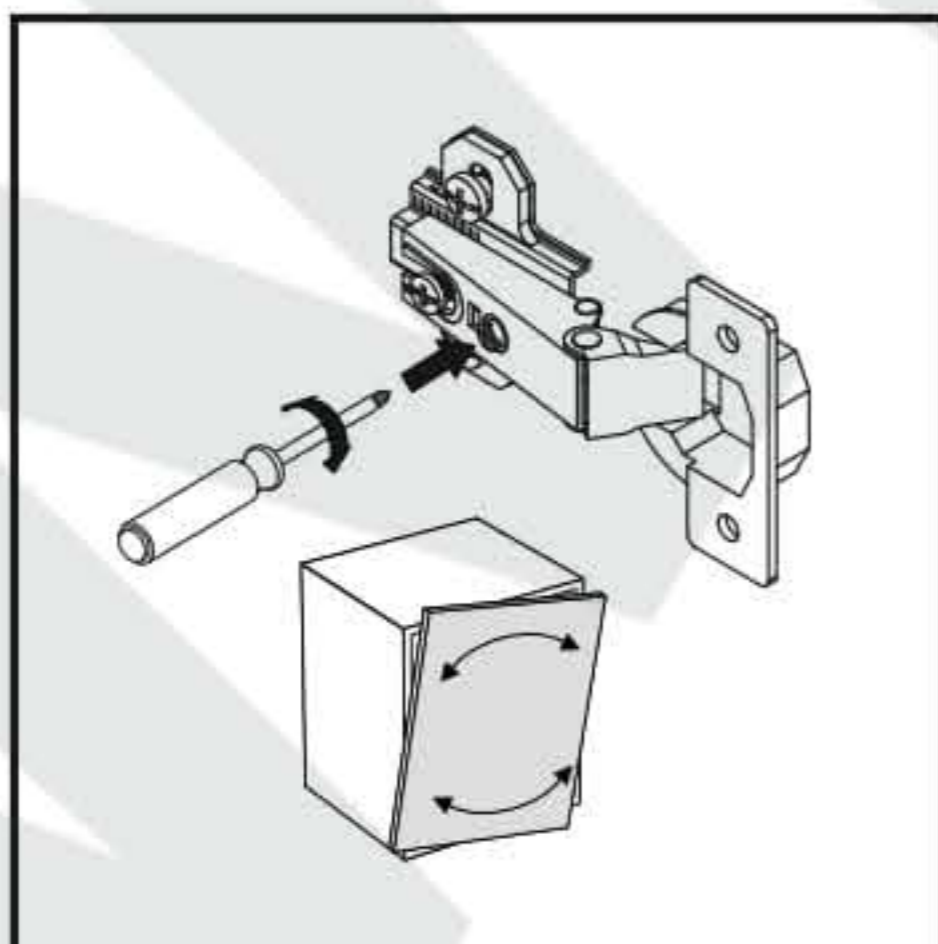
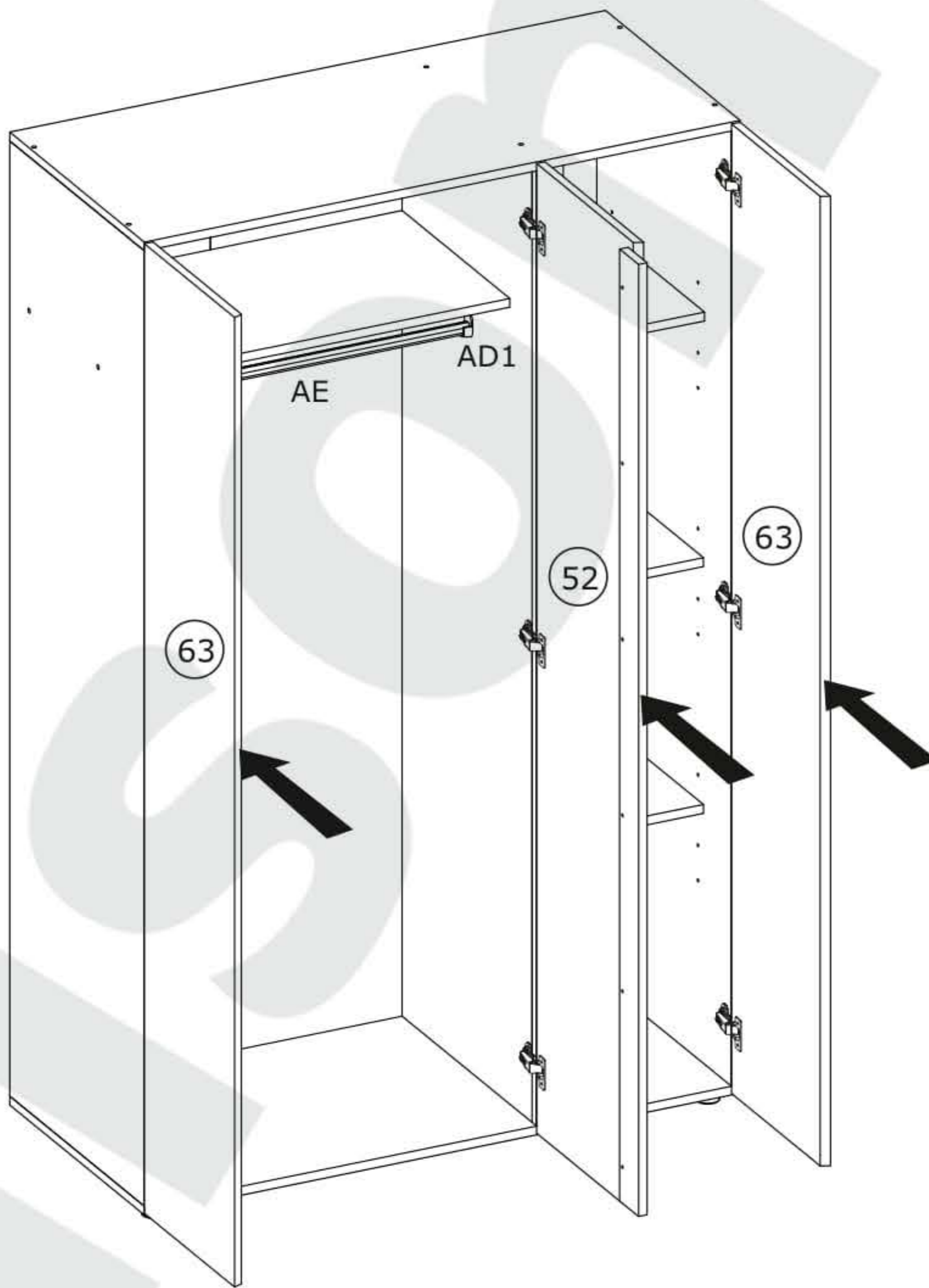
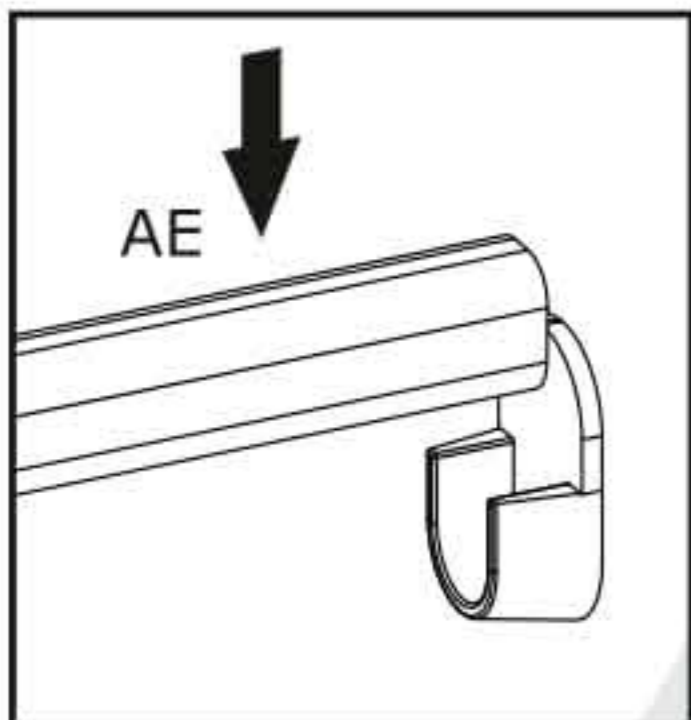
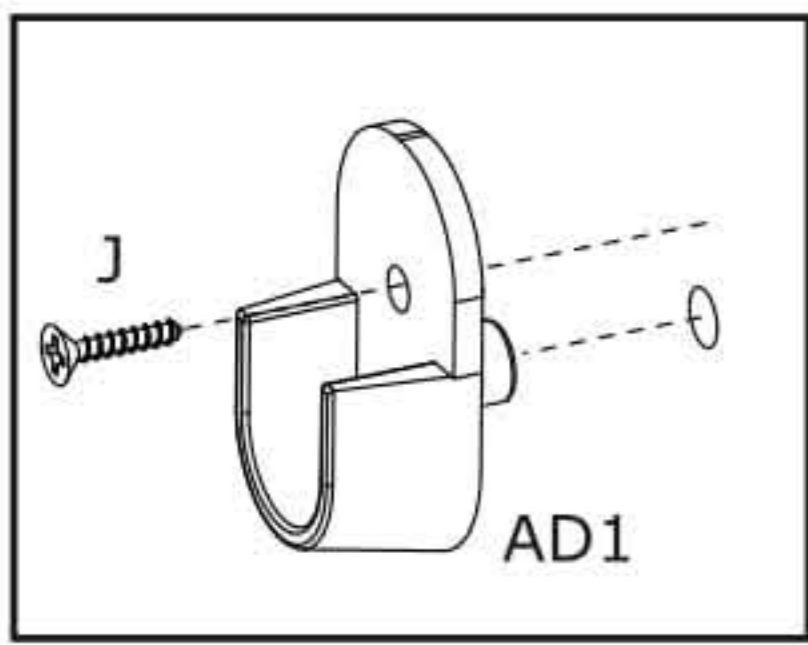
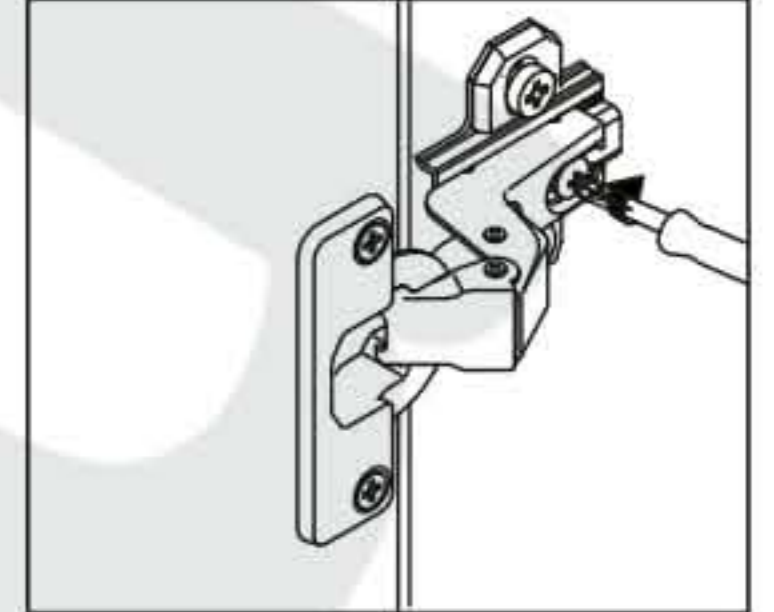
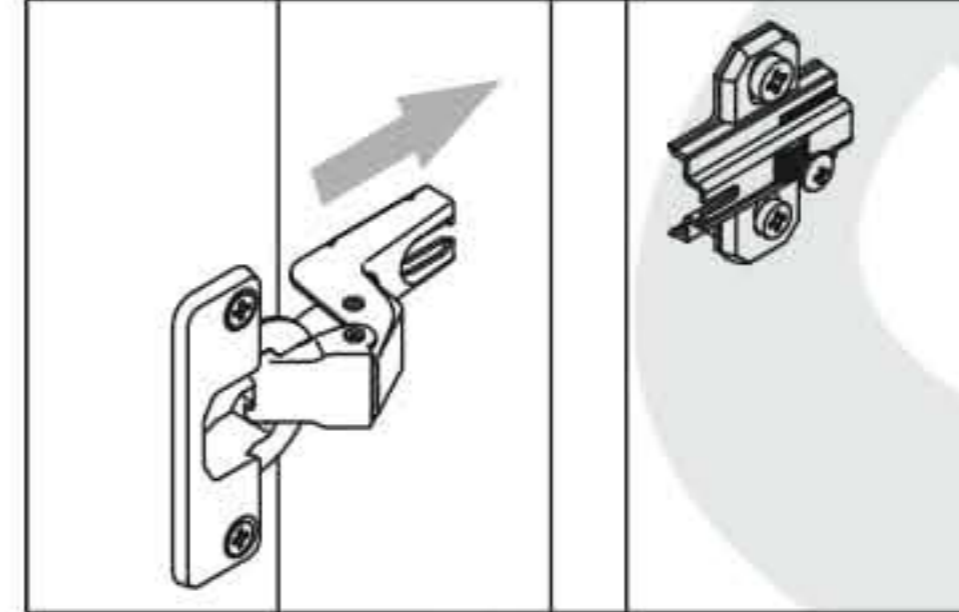
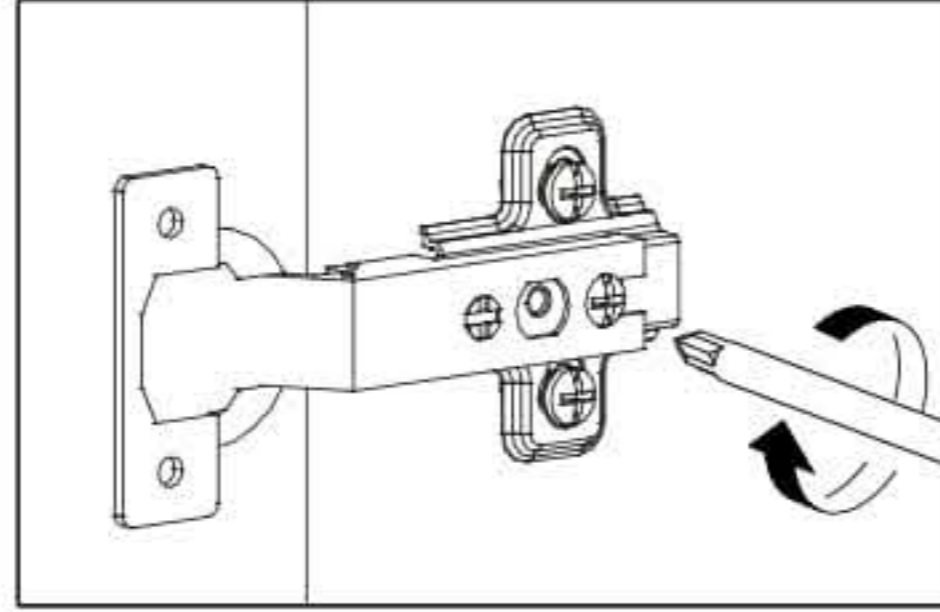
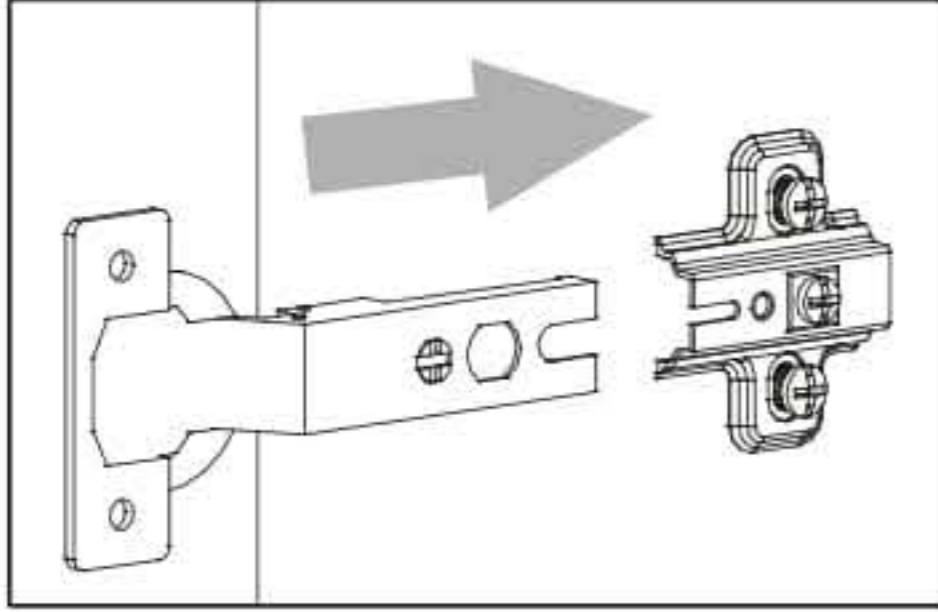
11

R1 x 6 	J x 18  3,5x16 mm	R2 x 3 	
---	--	--	---

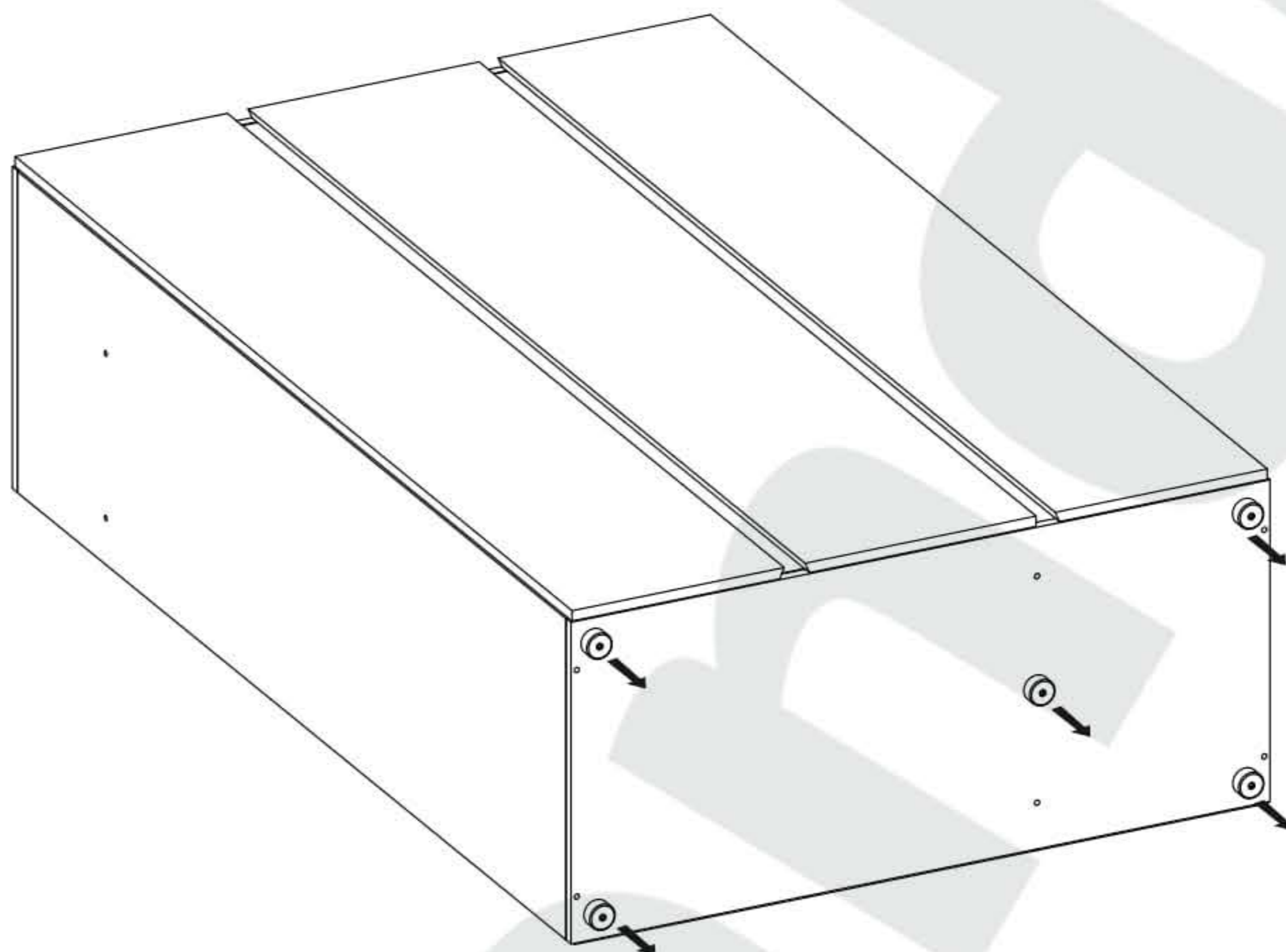
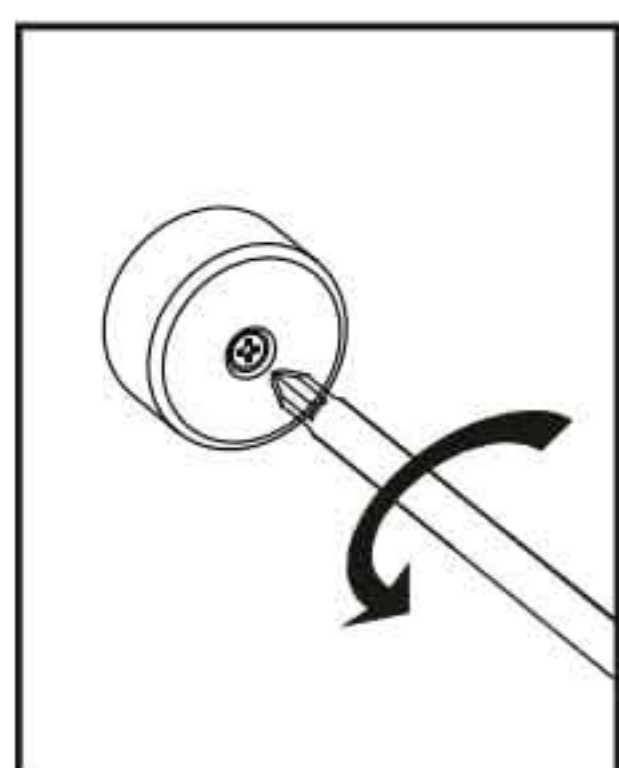


12

AE x 1  707 mm	J x 1  3,5x16 mm	AD1 x 1 	
---	--	--	---



13



14



J6 x 4



4x30 mm

