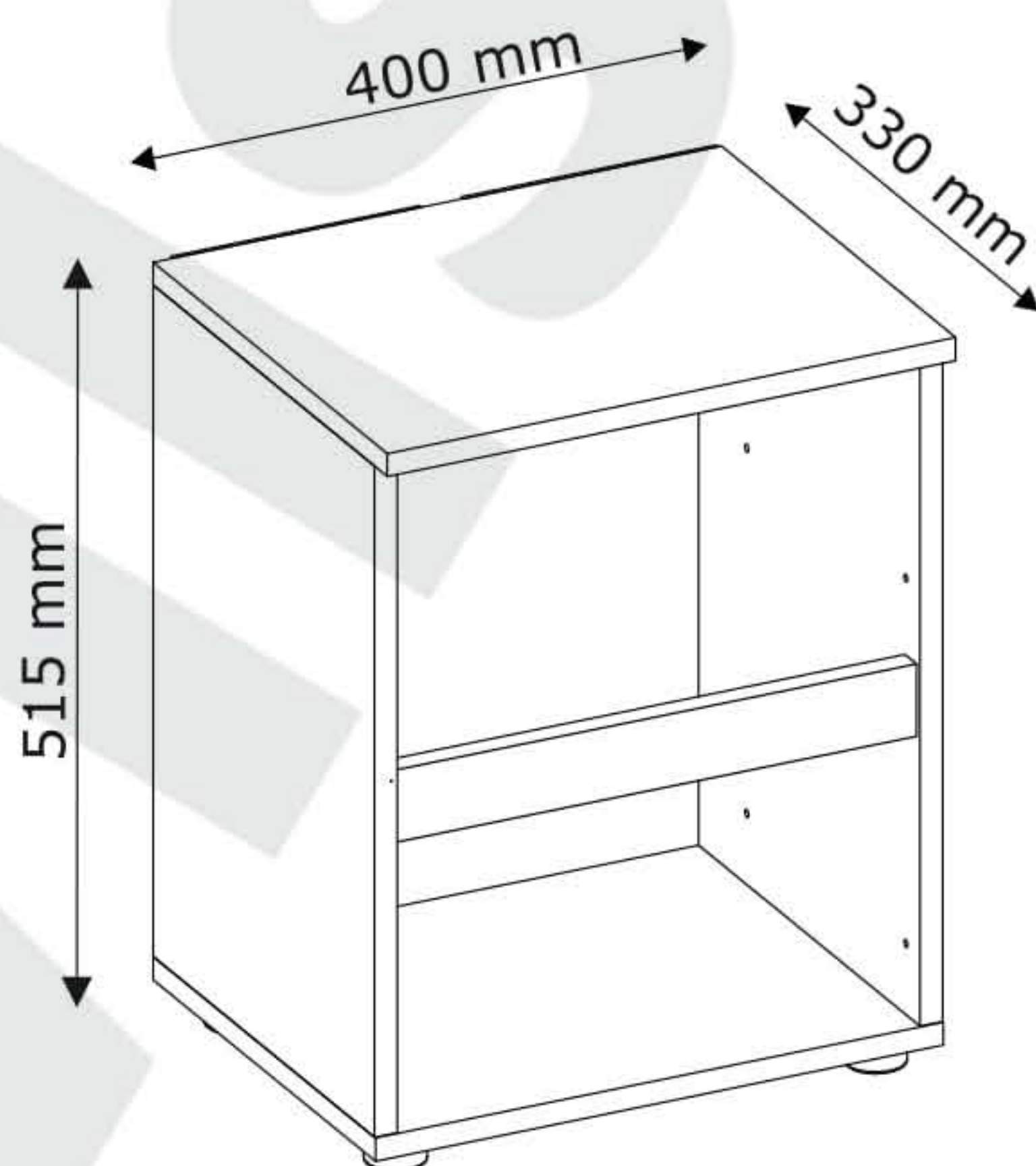
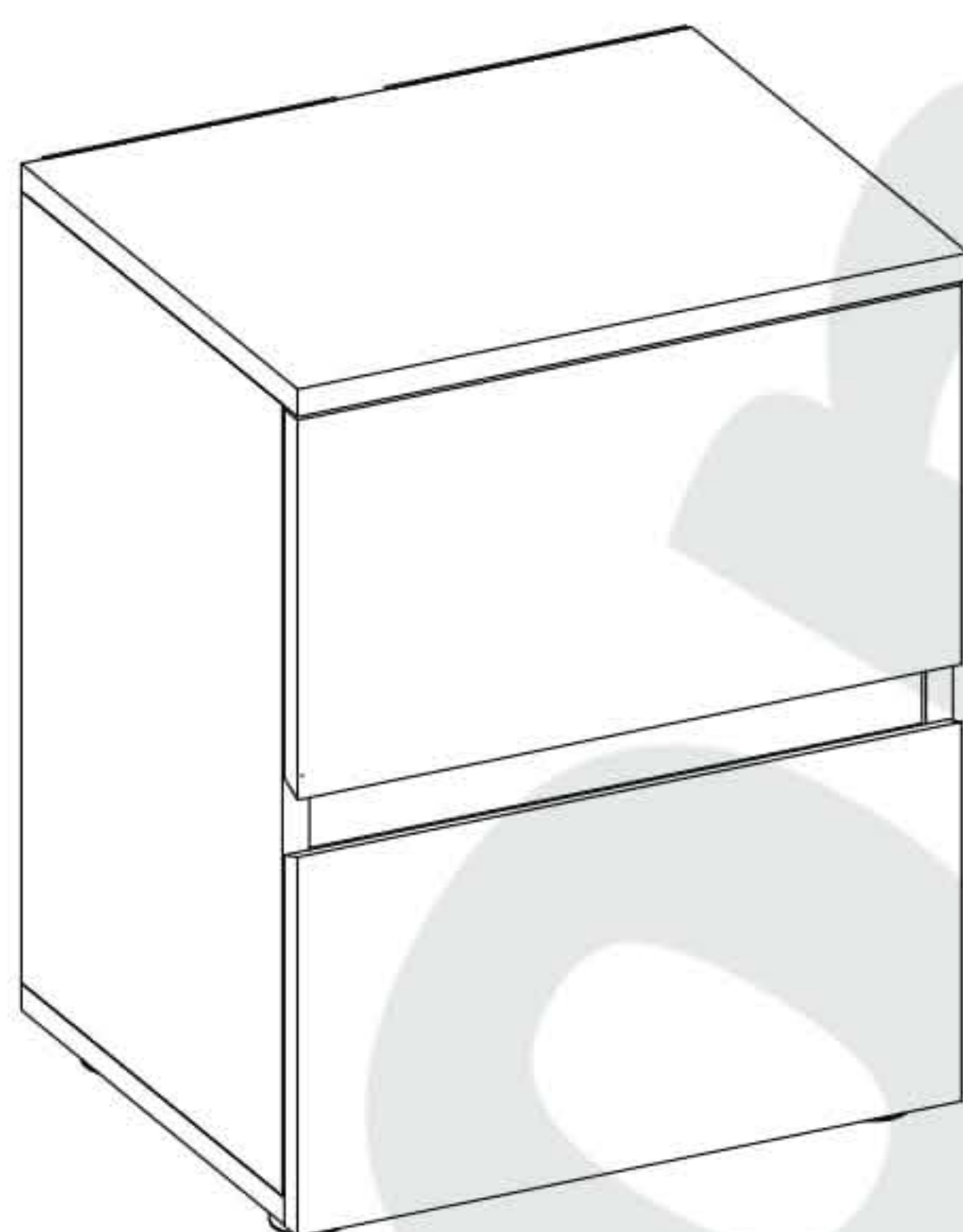
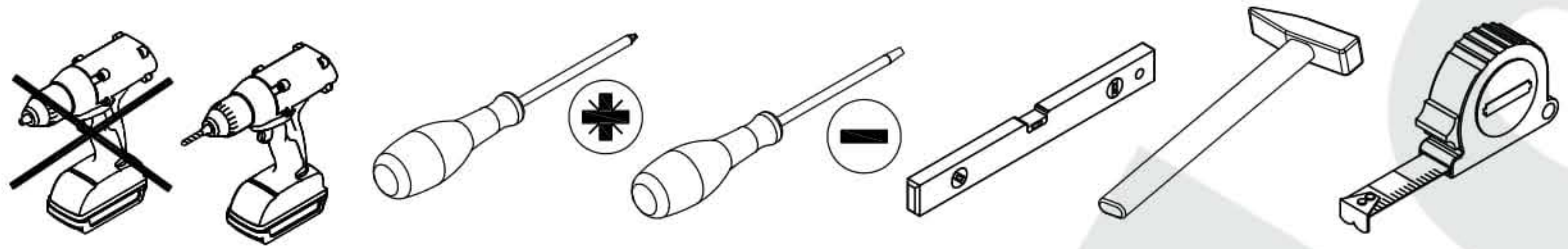
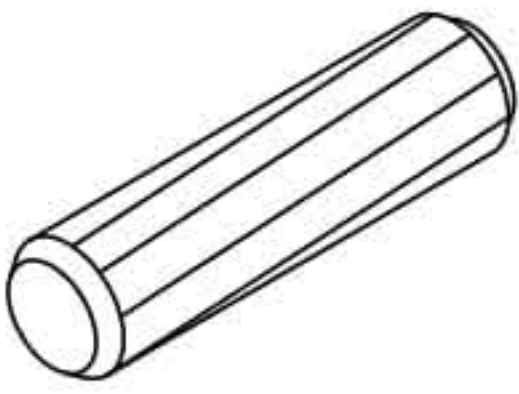
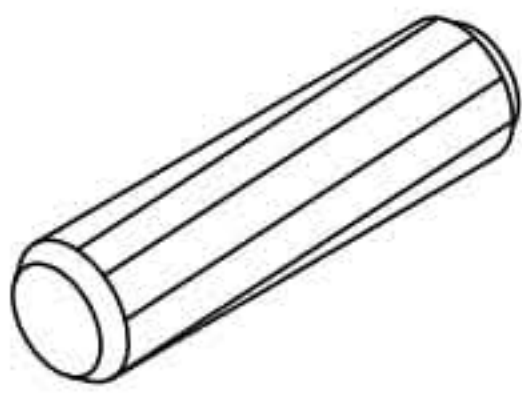
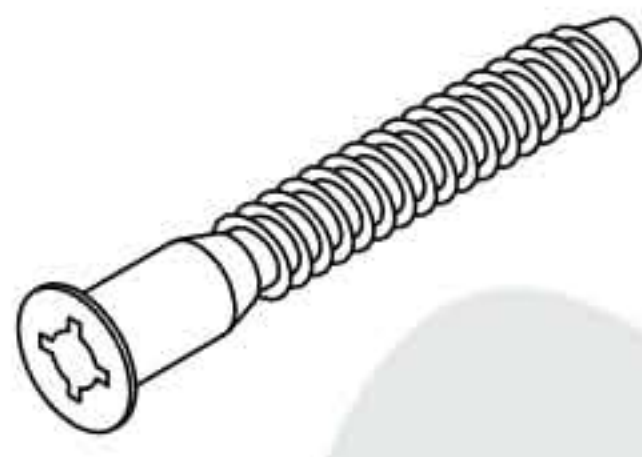


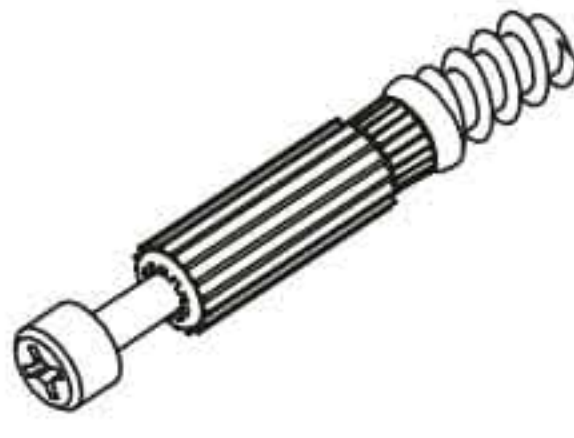
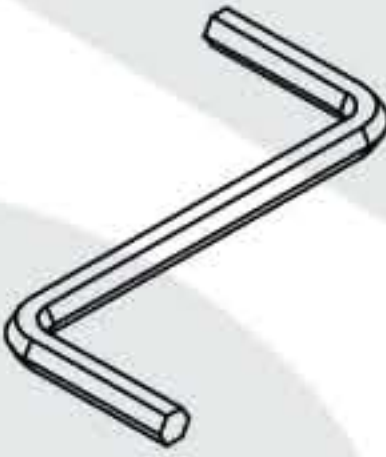
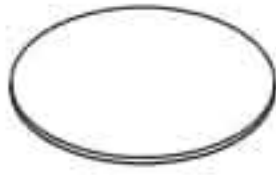



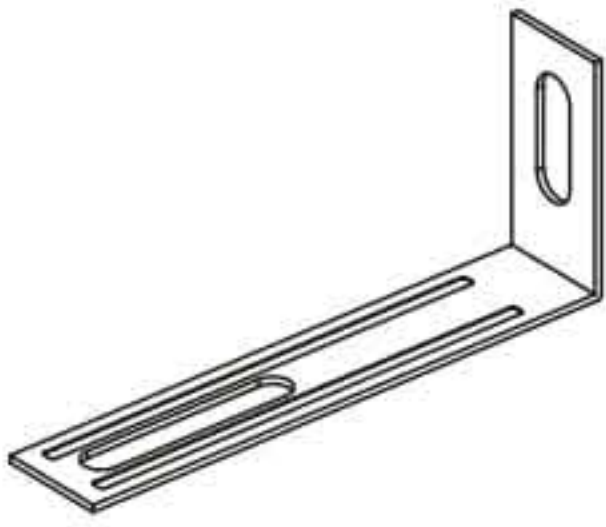



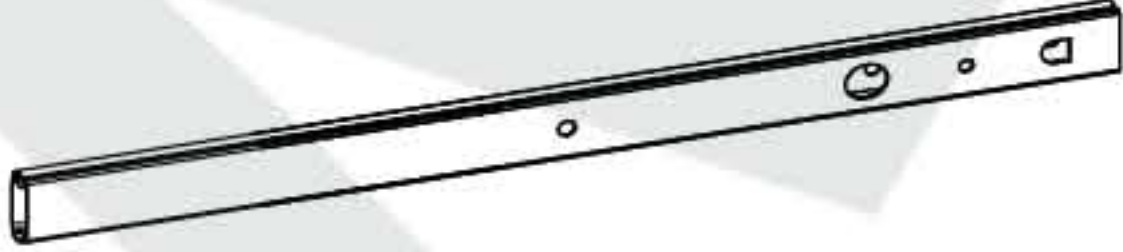

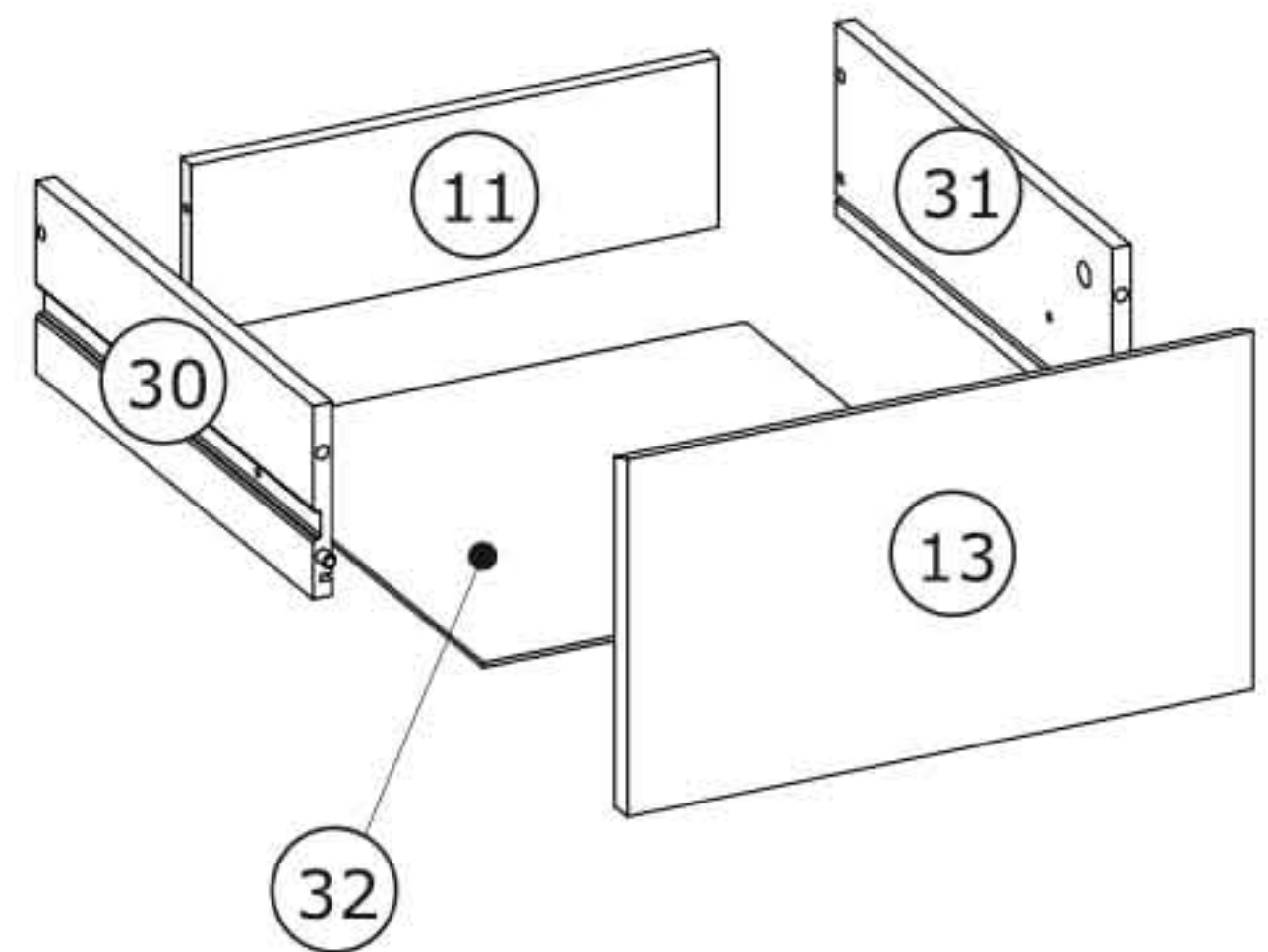
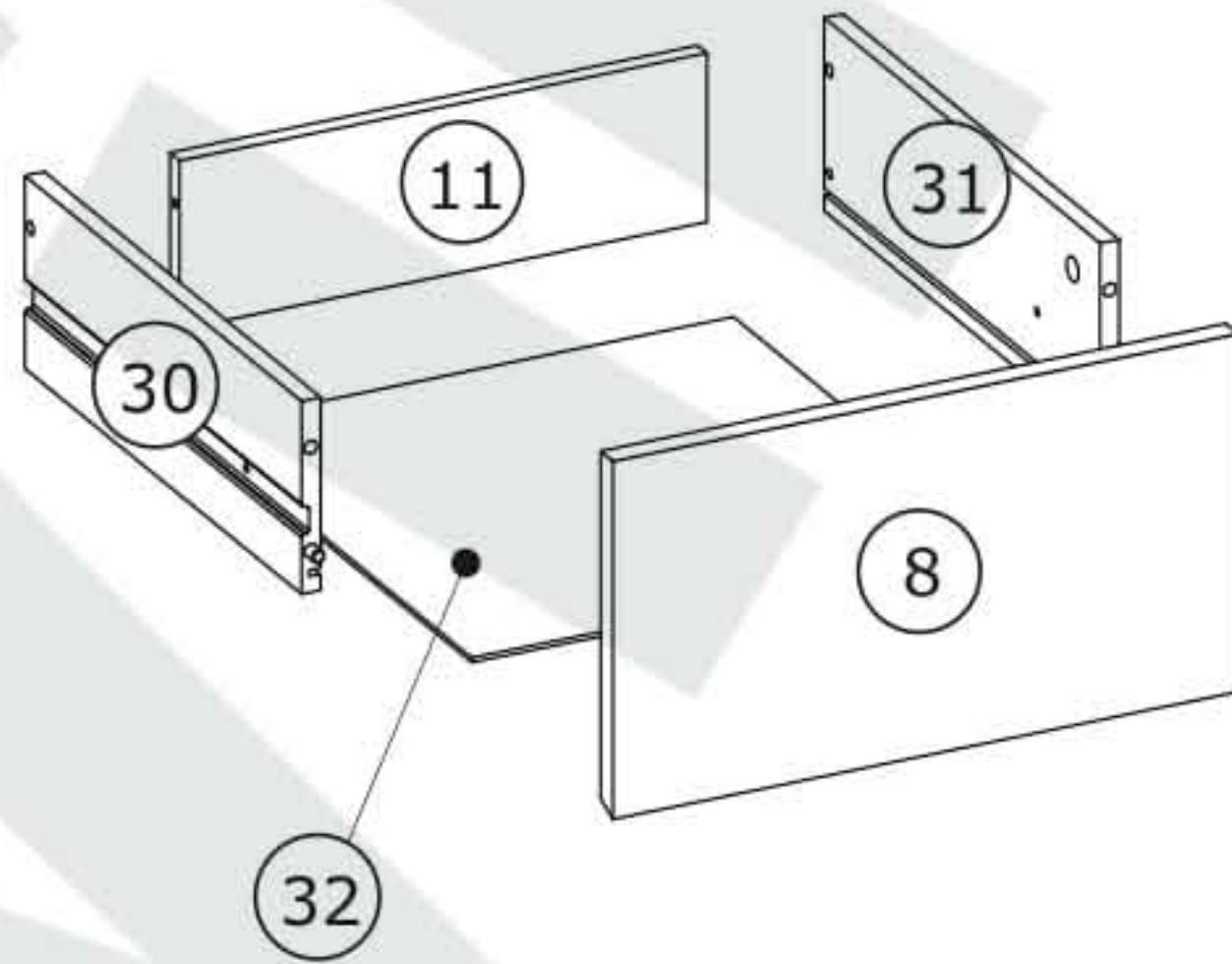
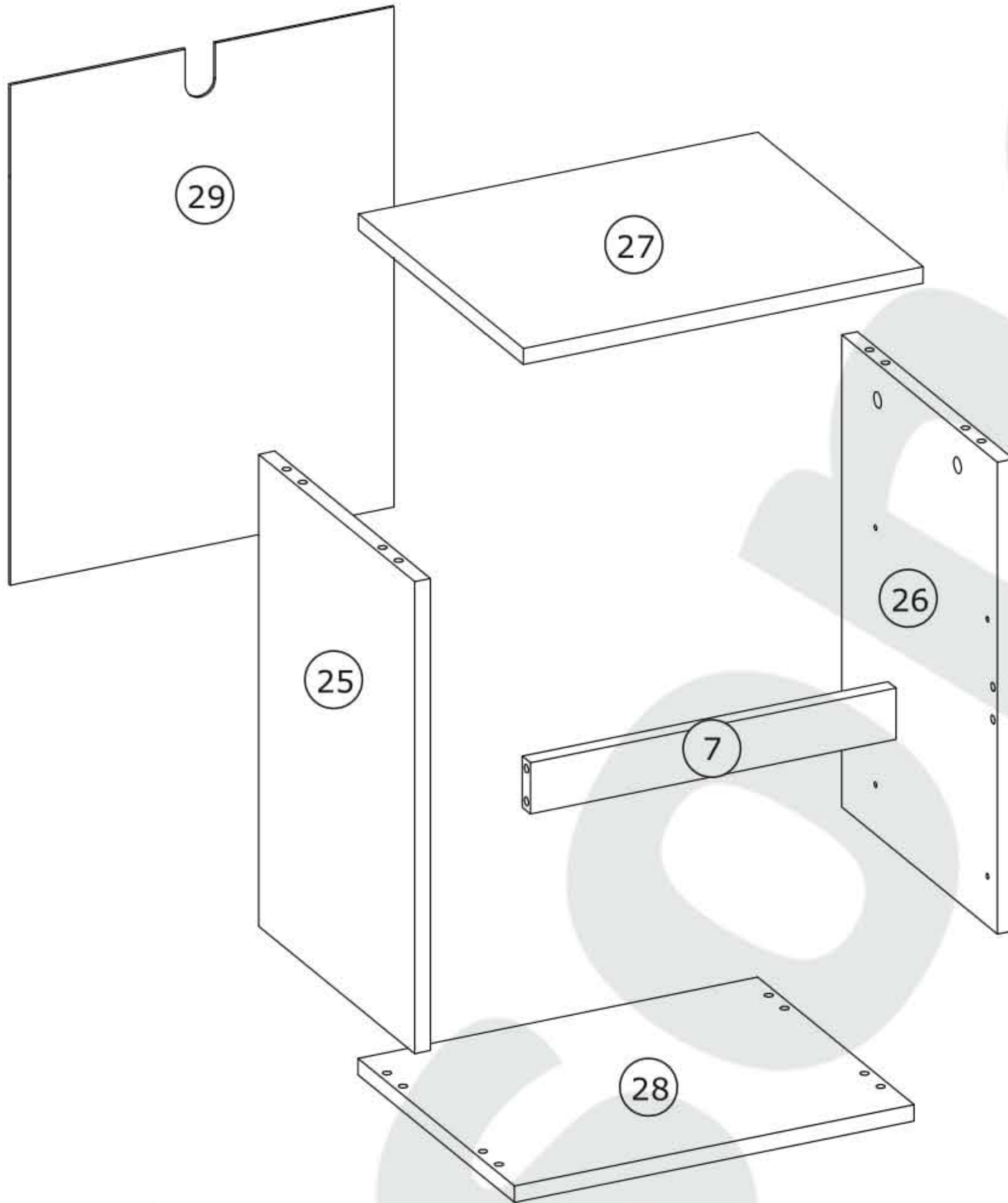


Basic Plus 2S

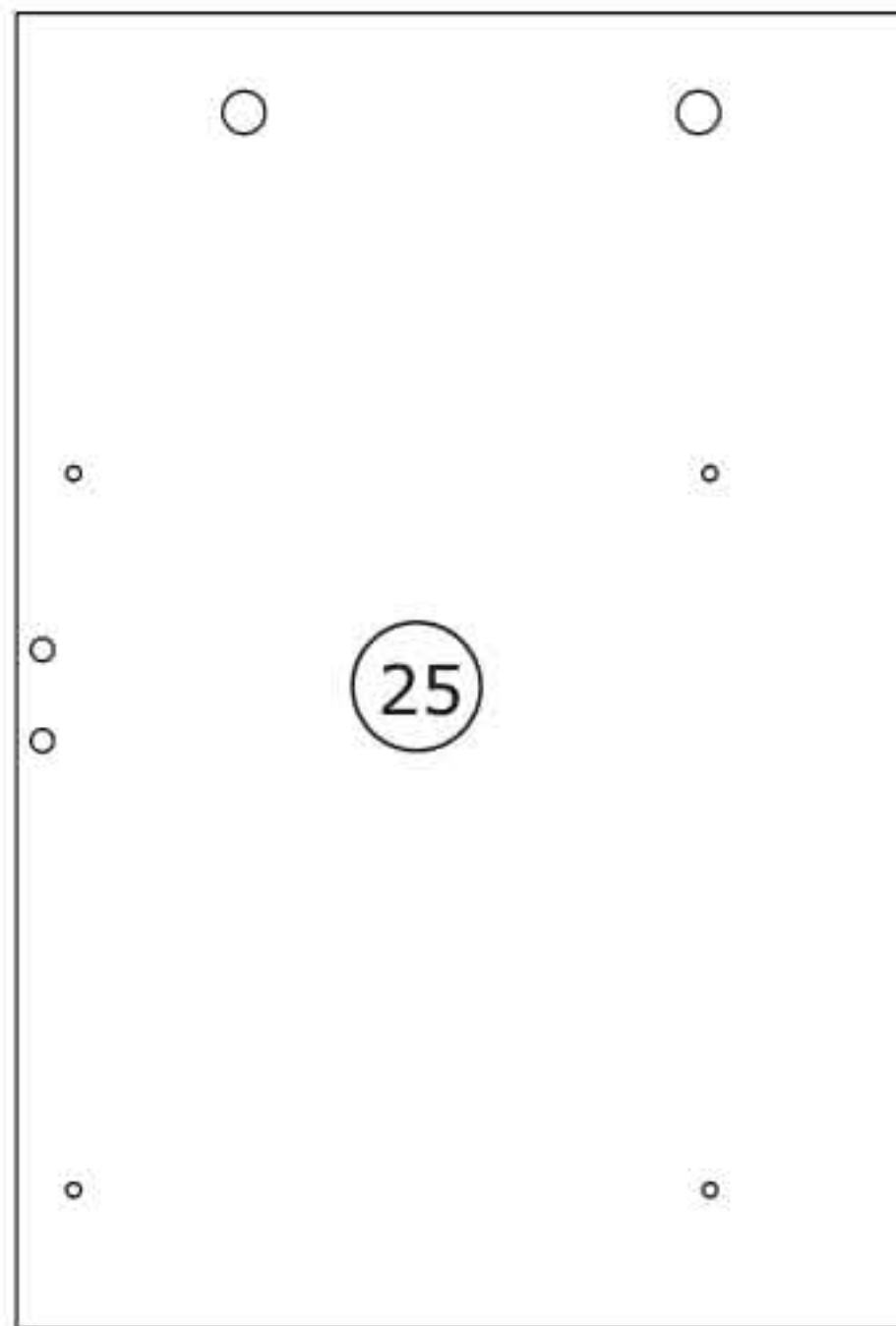




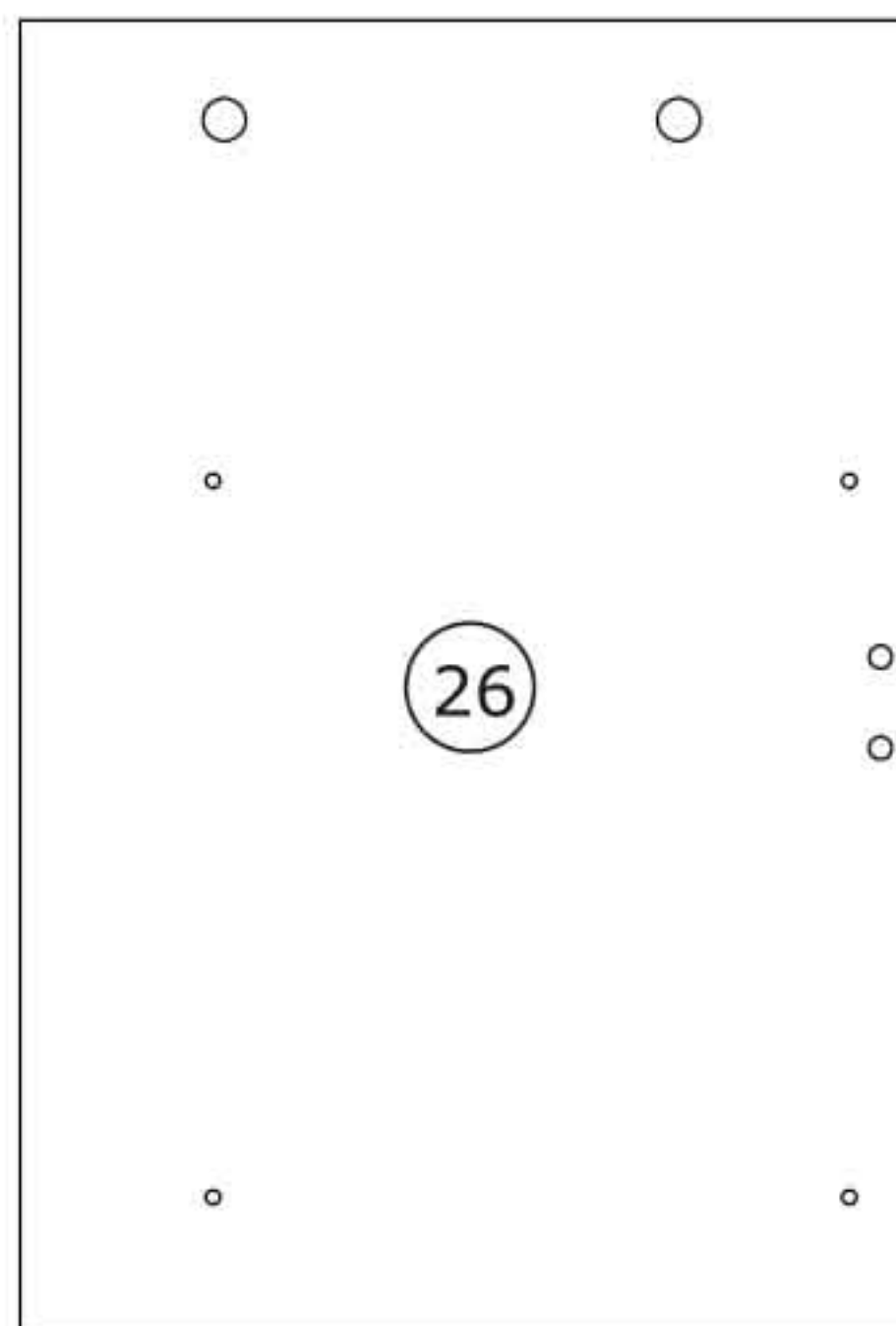
<p>A x 12</p>  <p>Ø8x35 mm</p>	<p>A1 x 4</p>  <p>Ø6x30 mm</p>	<p>B x 8</p>  <p>Ø7x50 mm</p>	<p>C x 4</p>  <p>Ø15x12 mm</p>
<p>C1 x 4</p>  <p>Ø15x10 mm</p>	<p>D x 8</p>  <p>Ø5x44 mm</p>	<p>E x 1</p>  <p>4 mm</p>	<p>F x 4</p>  <p>20 mm</p>
<p>F1 x 4</p>  <p>20 mm</p>	<p>G x 22</p>  <p>1,2x25 mm</p>	<p>G4 x 4</p> 	<p>I x 1</p> 
<p>J x 1</p>  <p>3,5x16 mm</p>	<p>J6 x 4</p>  <p>4x30 mm</p>	<p>M x 8</p>  <p>Ø6,3x13 mm</p>	
<p>N1 x 4</p>  <p>278 mm</p>		<p>Q x 4</p>  <p>4x9 mm</p>	



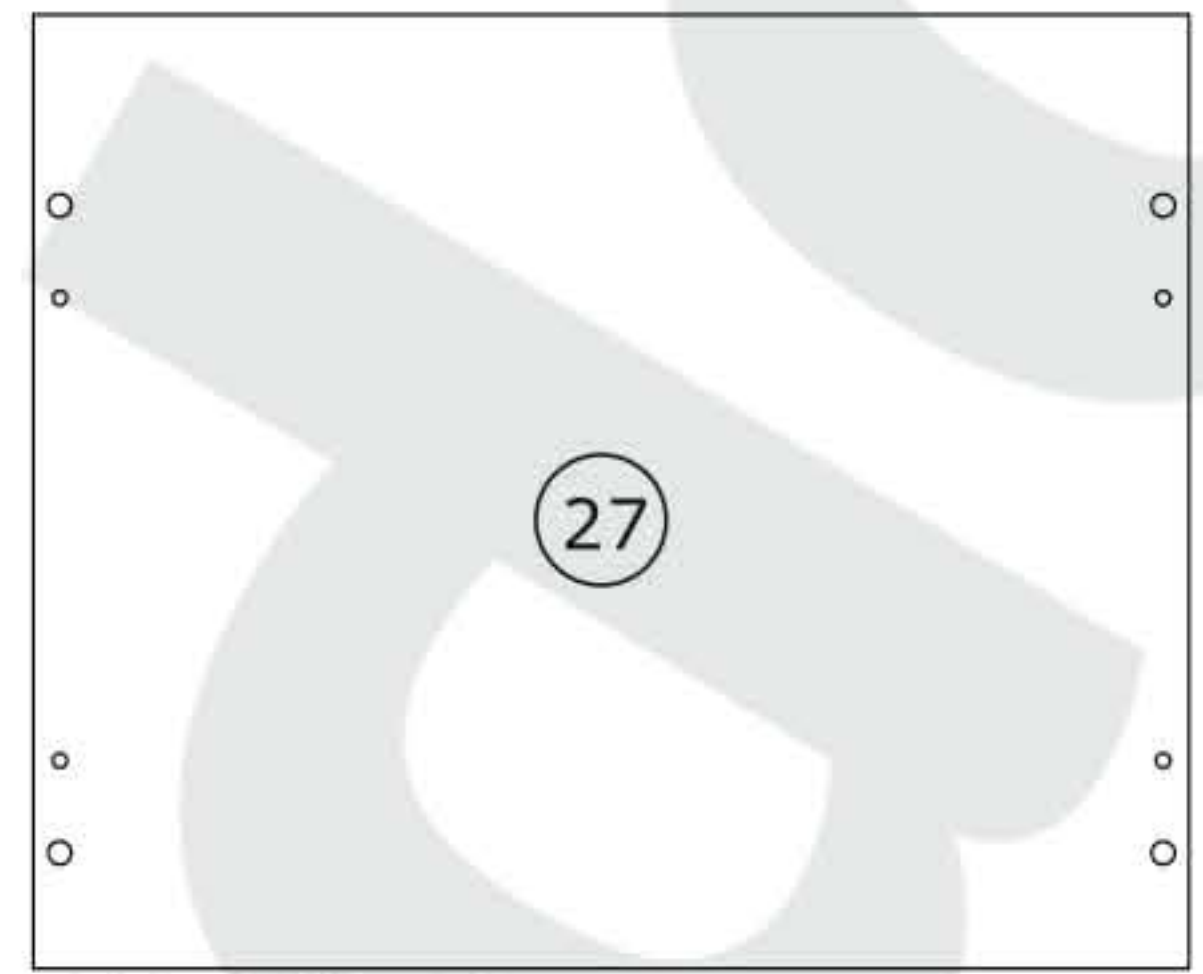
BOX 1/1:



463x312x16 mm



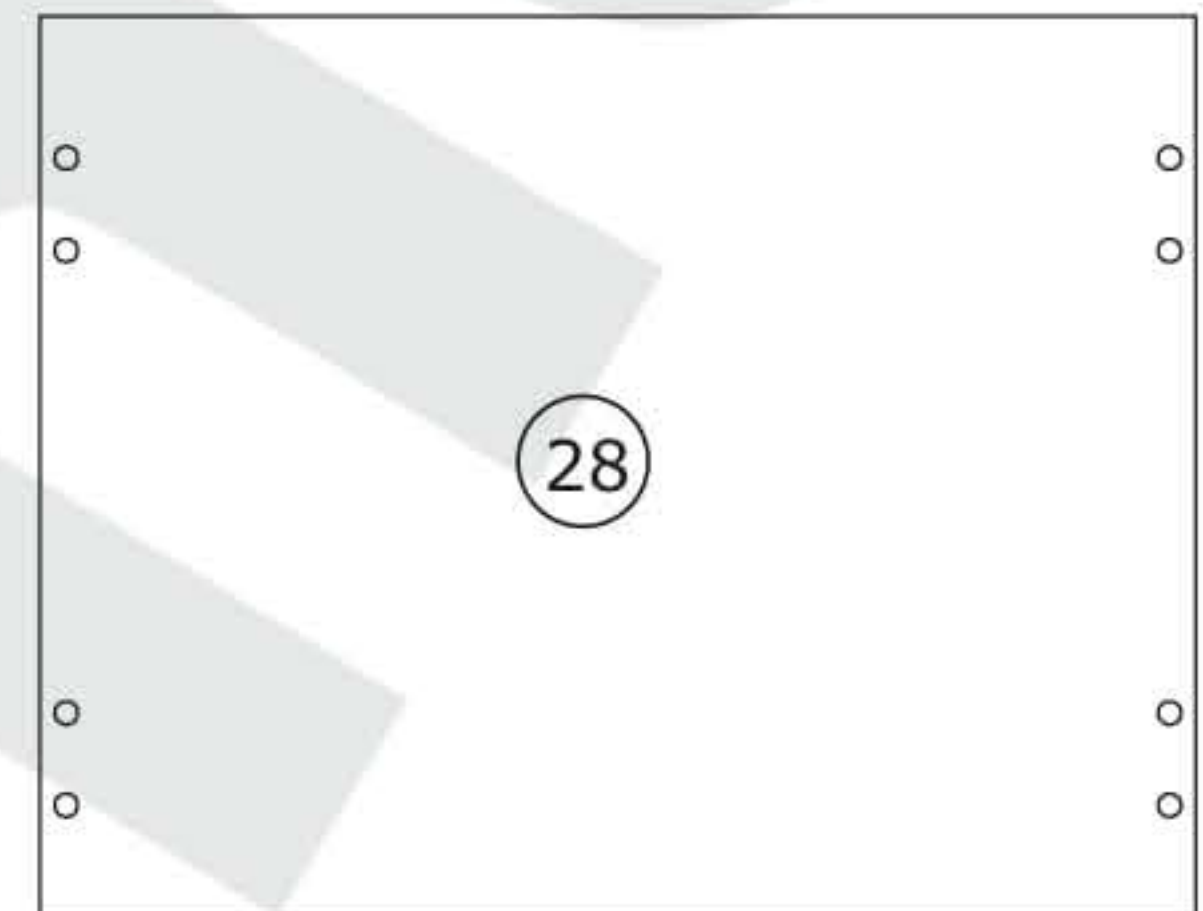
463x312x16 mm



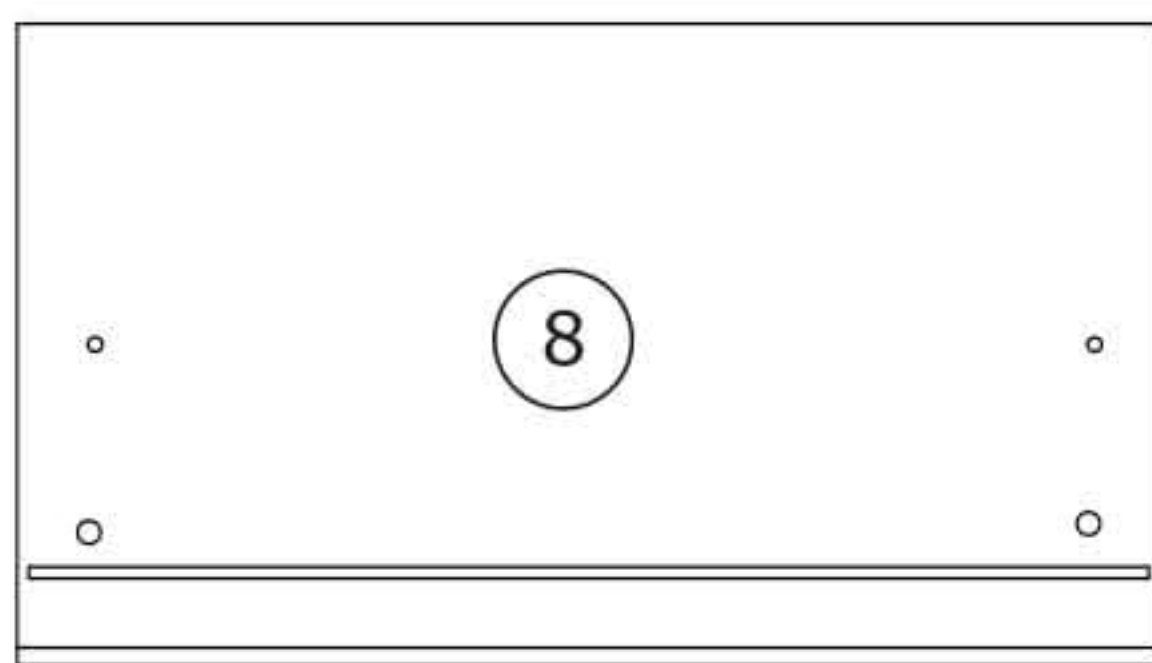
400x330x16 mm



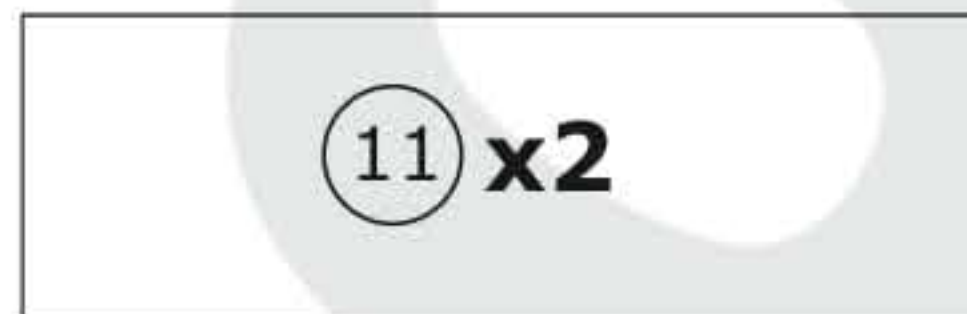
366x50x16 mm



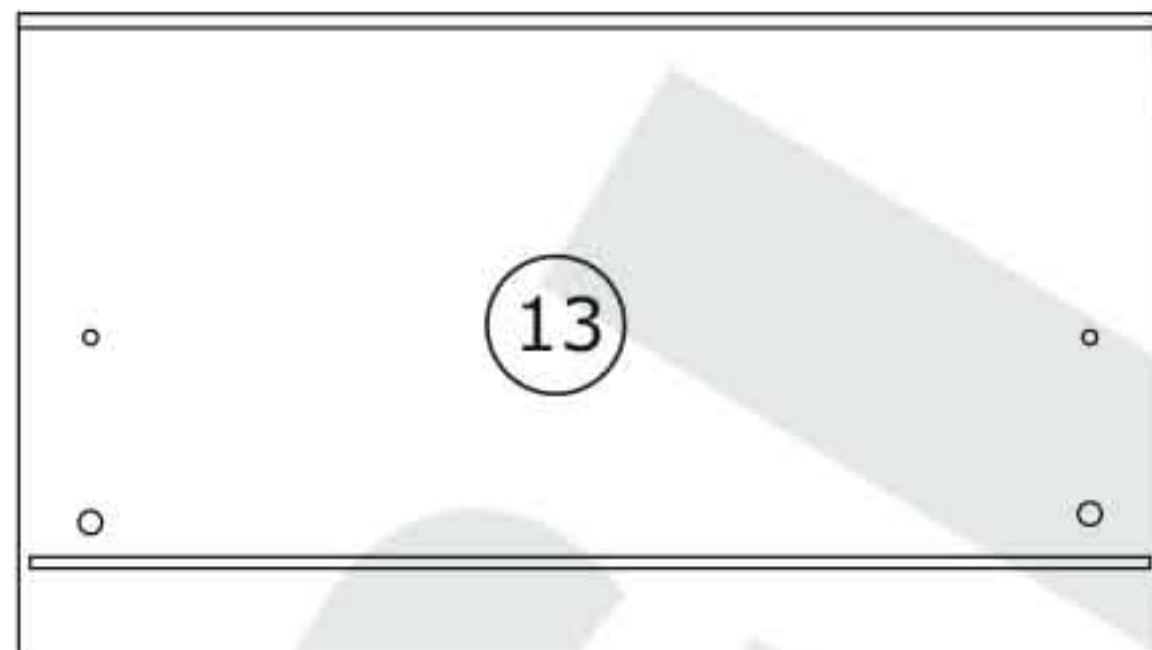
400x313x16 mm



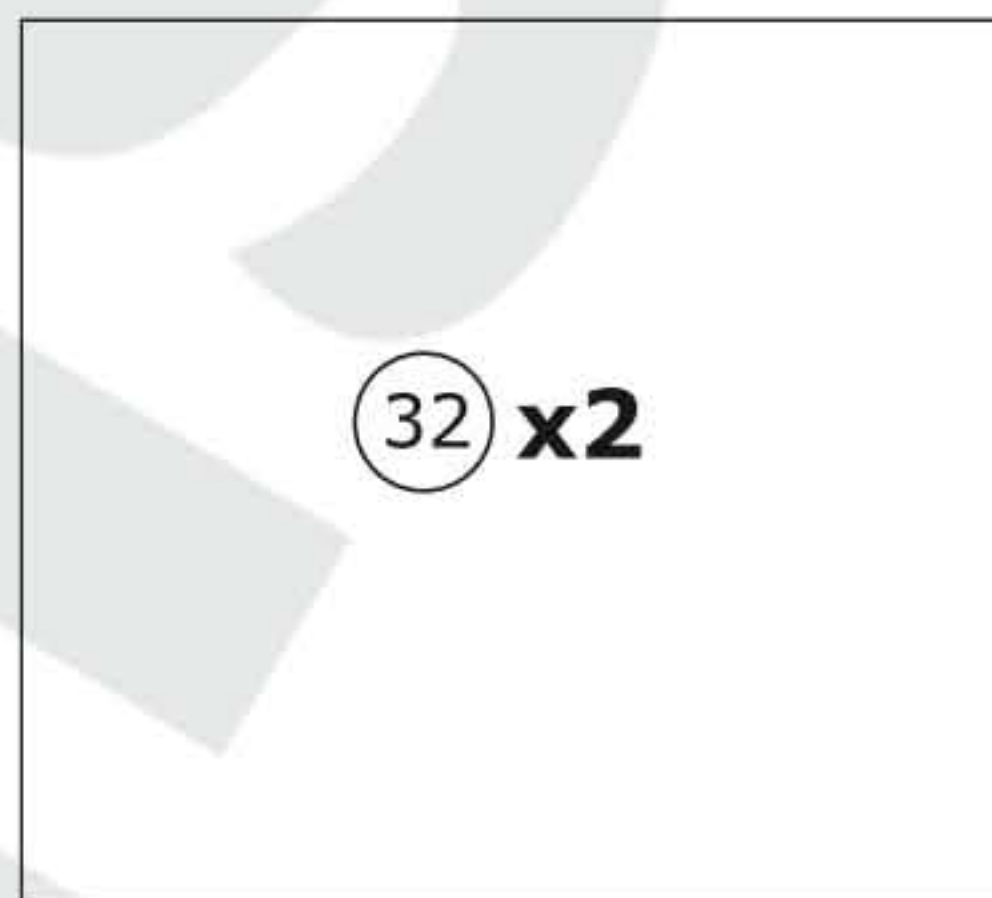
396x222x16 mm



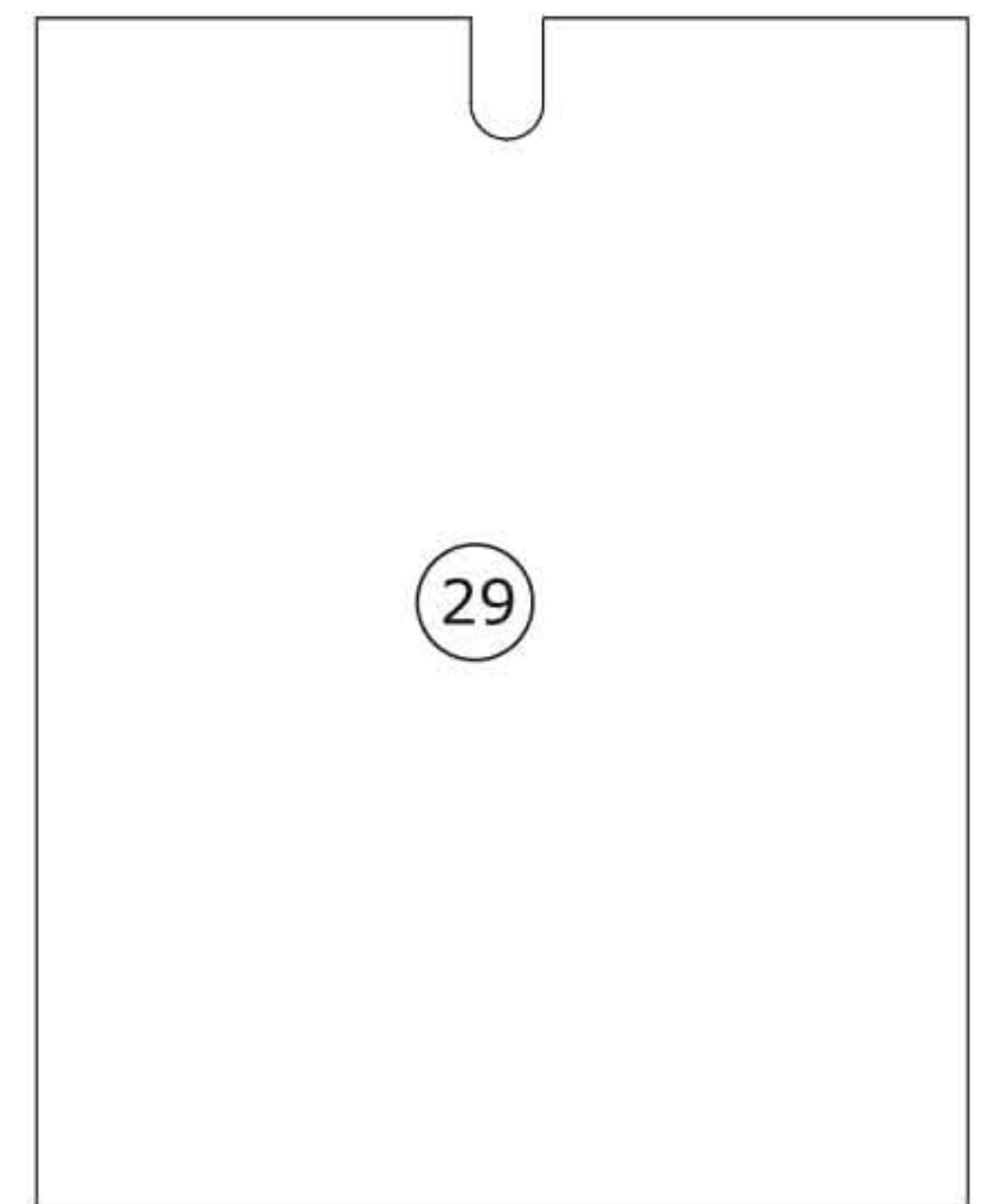
334x105x12 mm



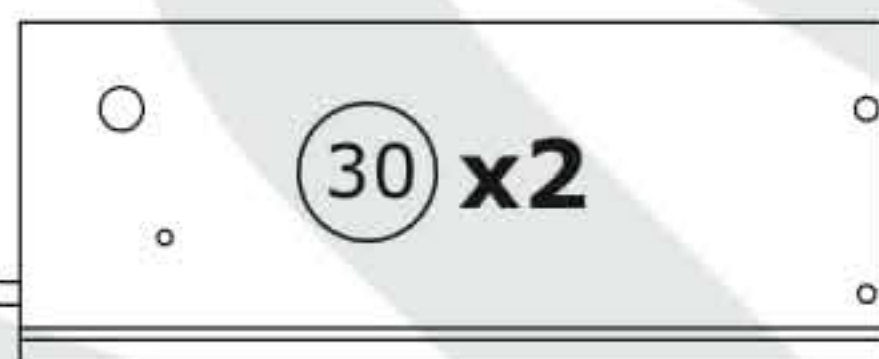
396x222x16 mm



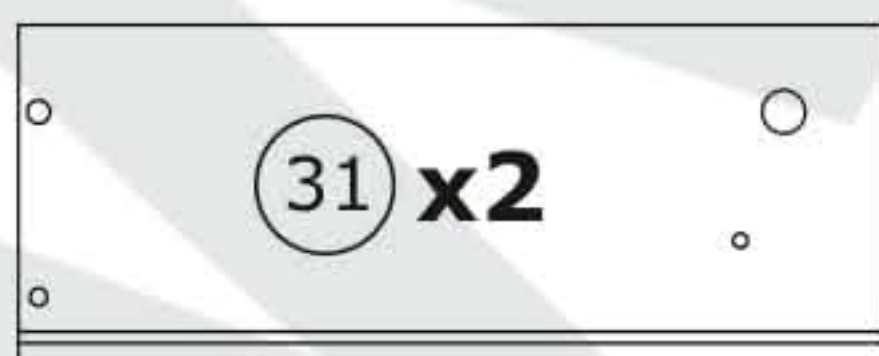
344x307x3 mm



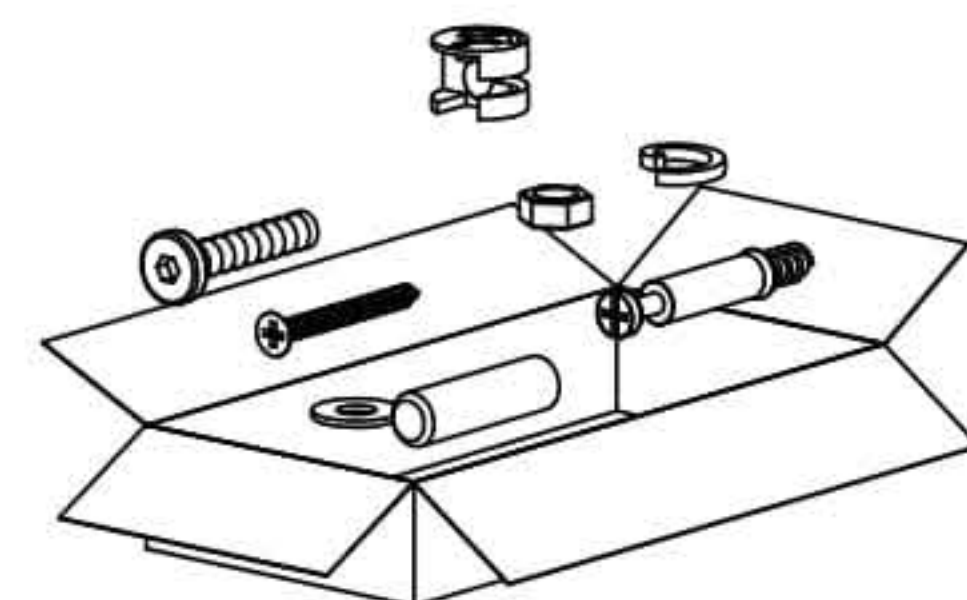
491x394x3 mm





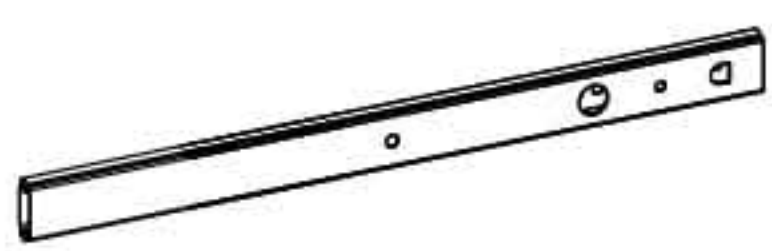



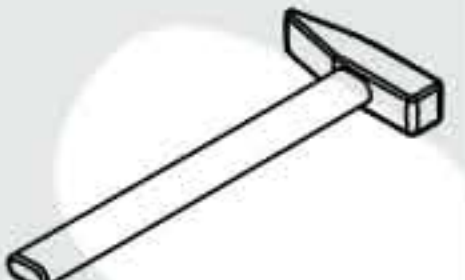
300x120x12 mm

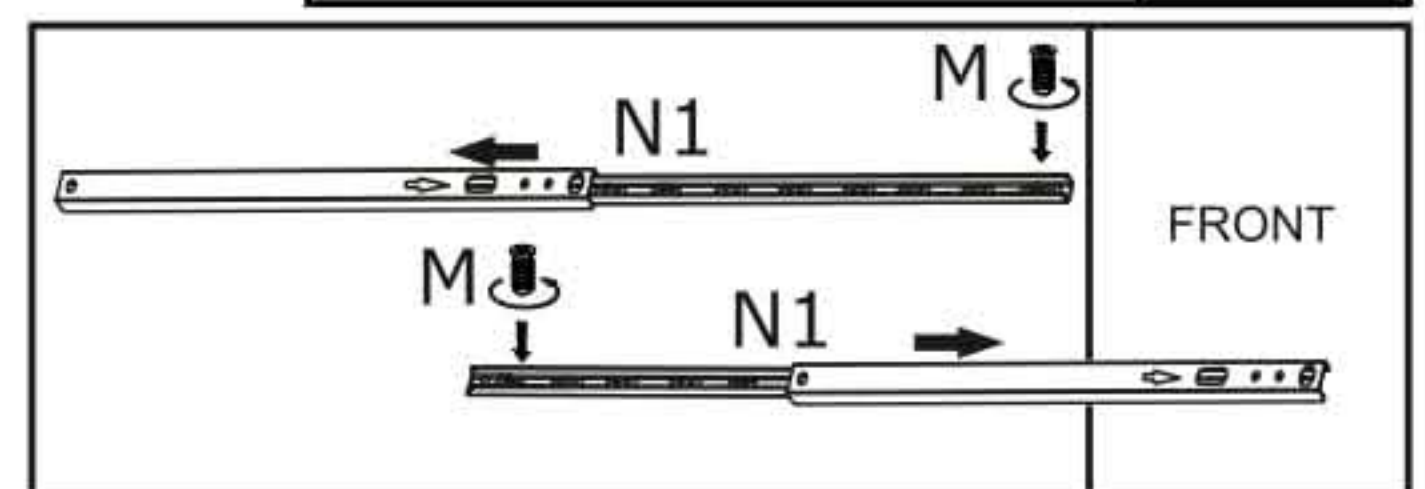
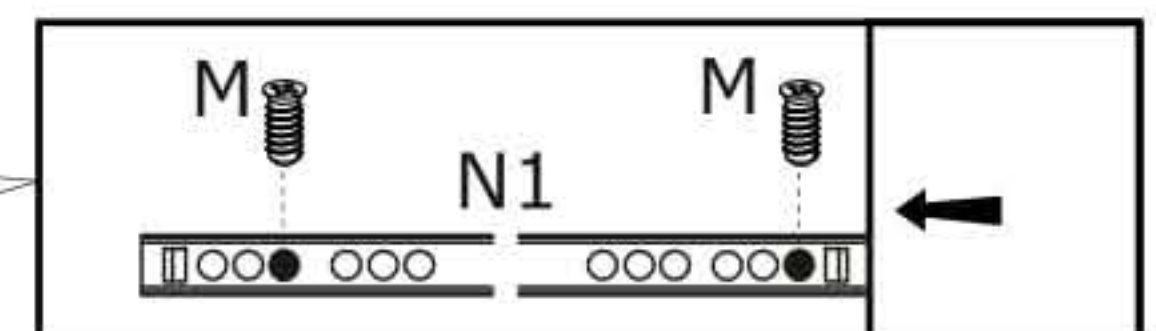
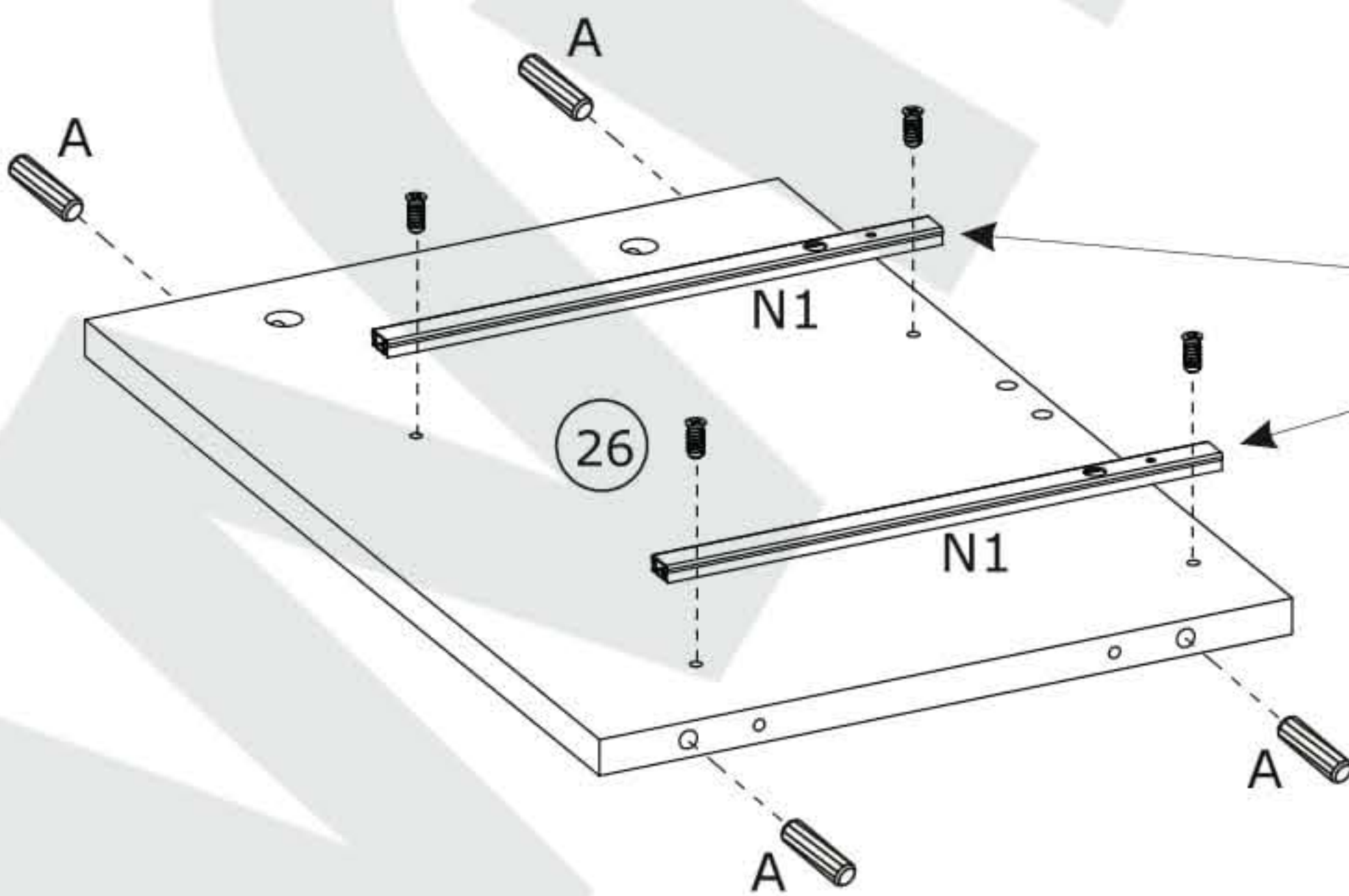
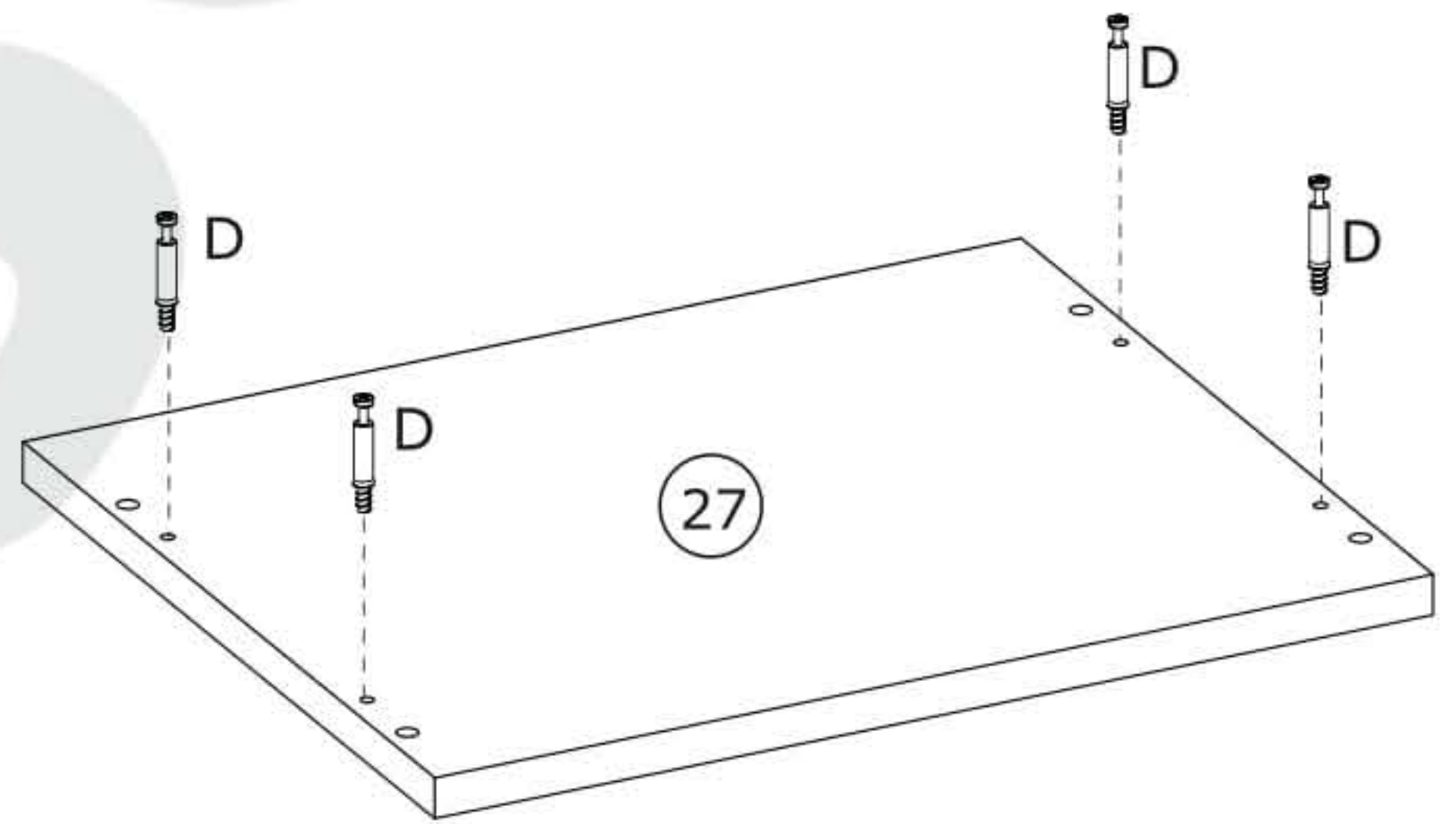
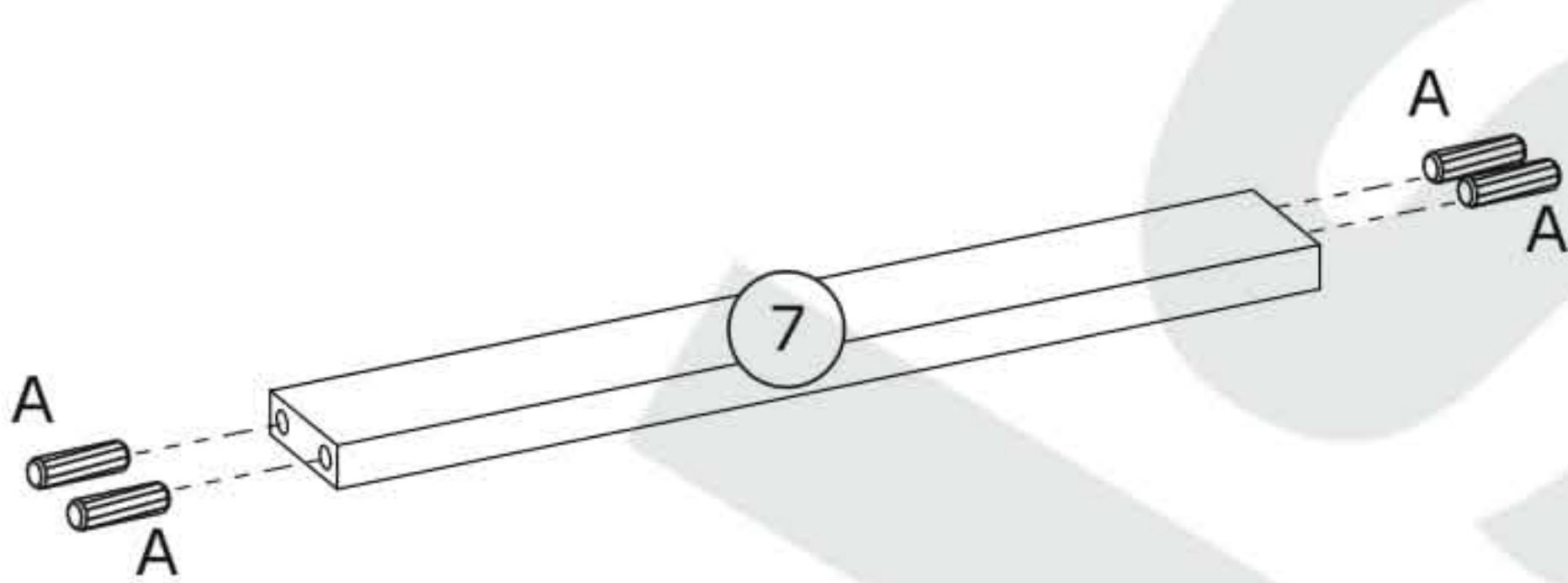
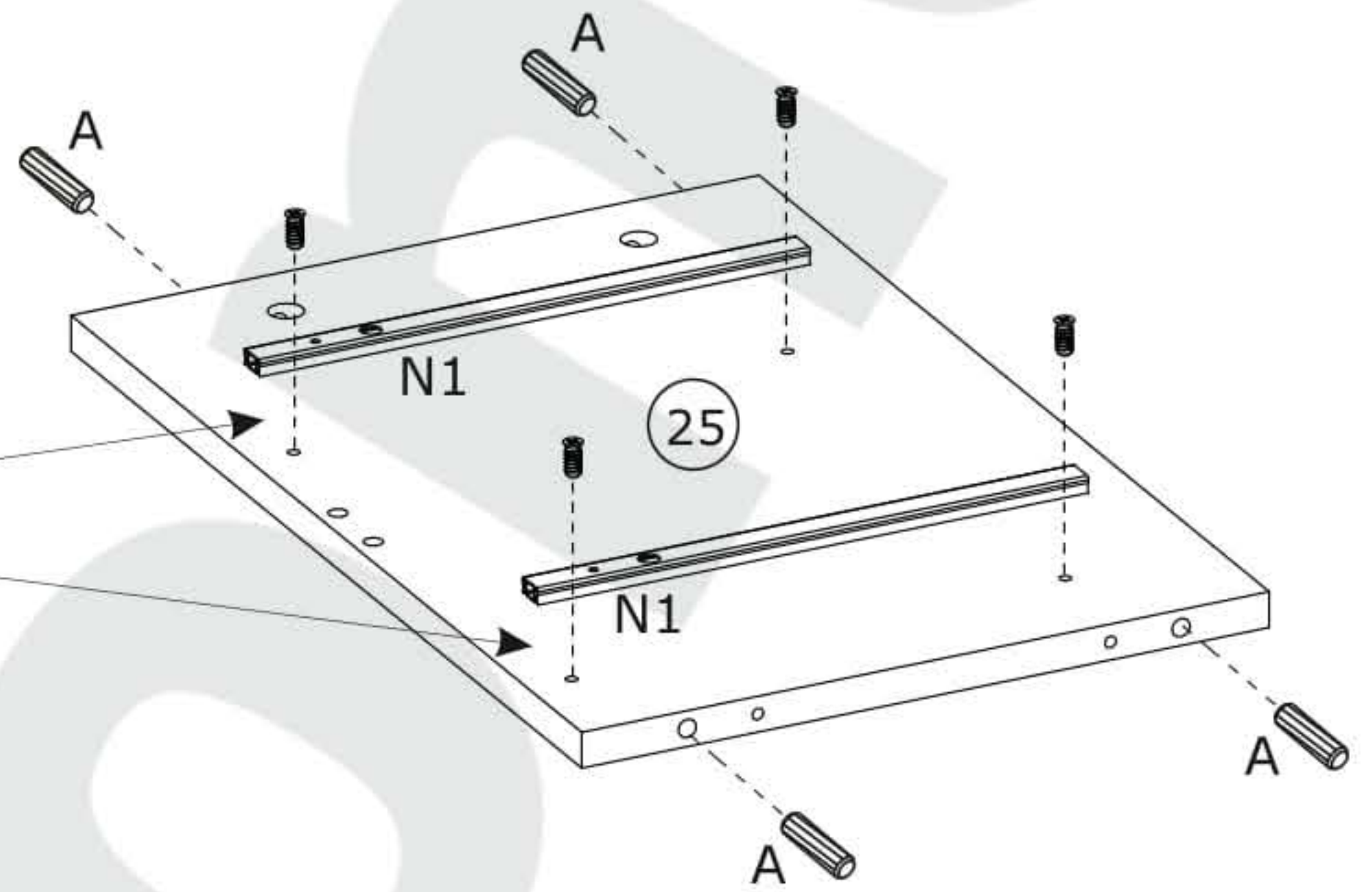
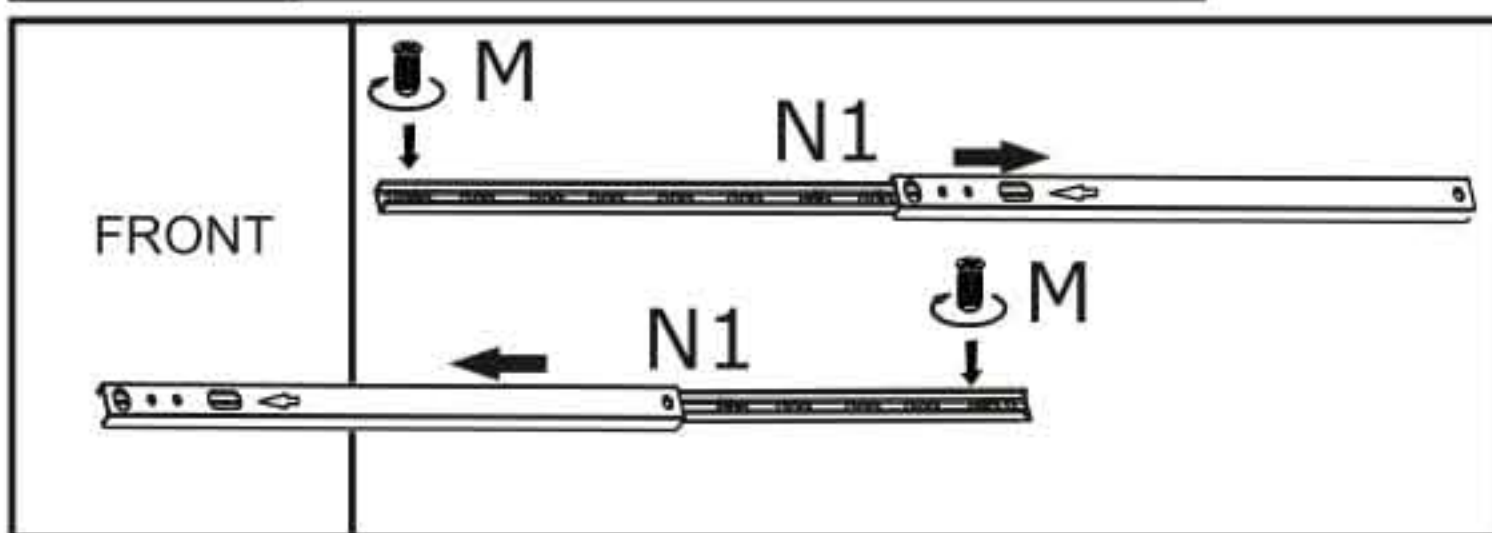
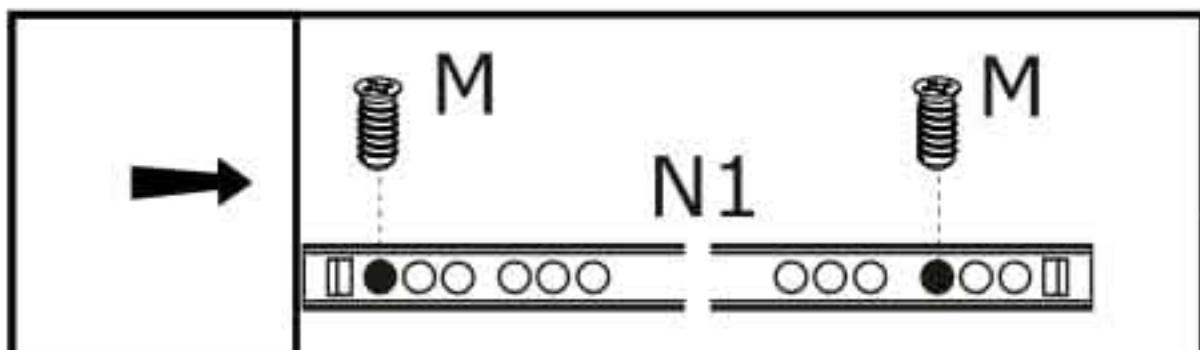
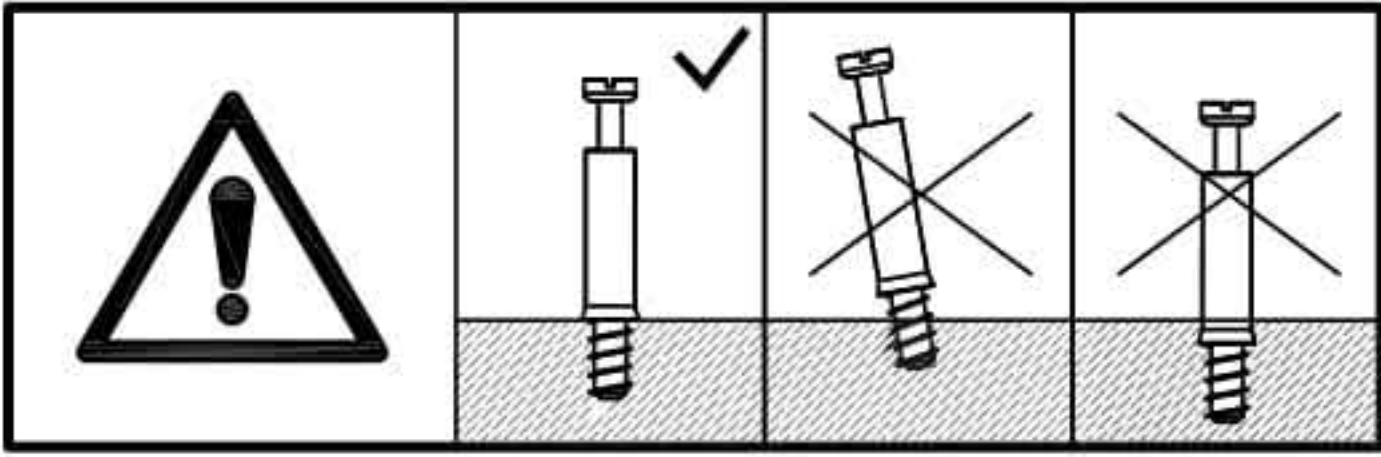
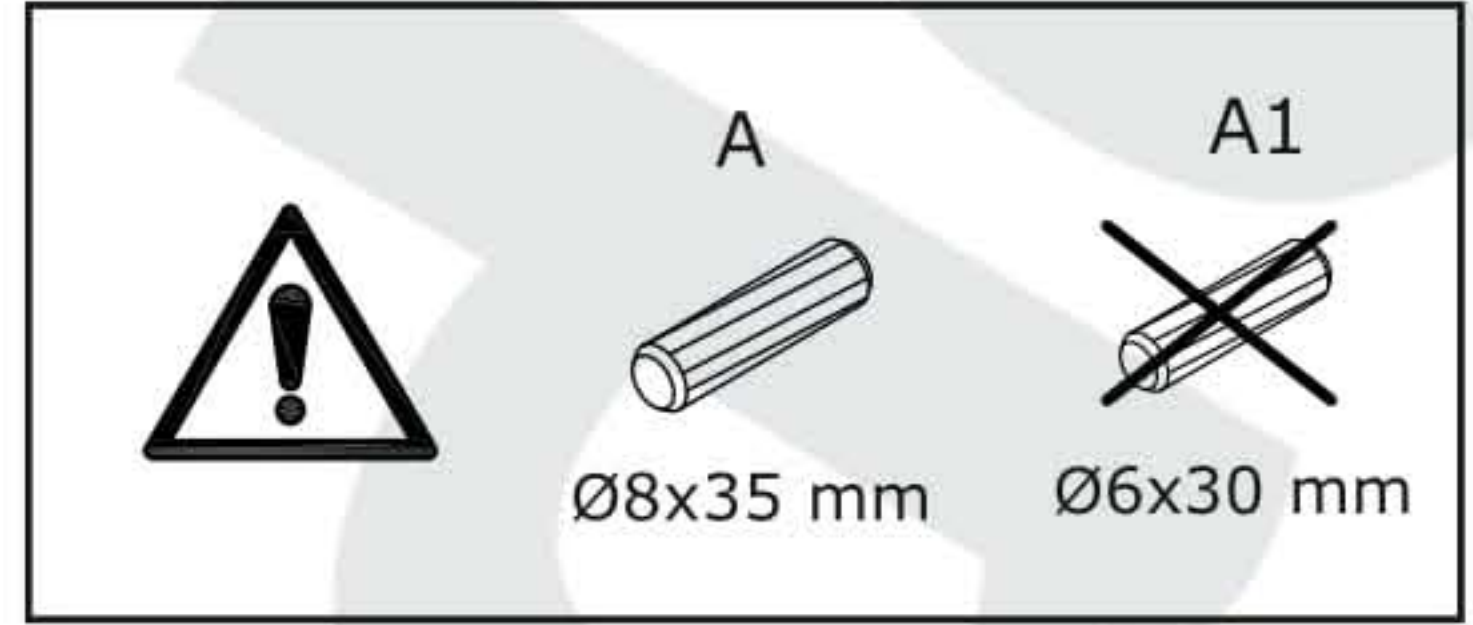
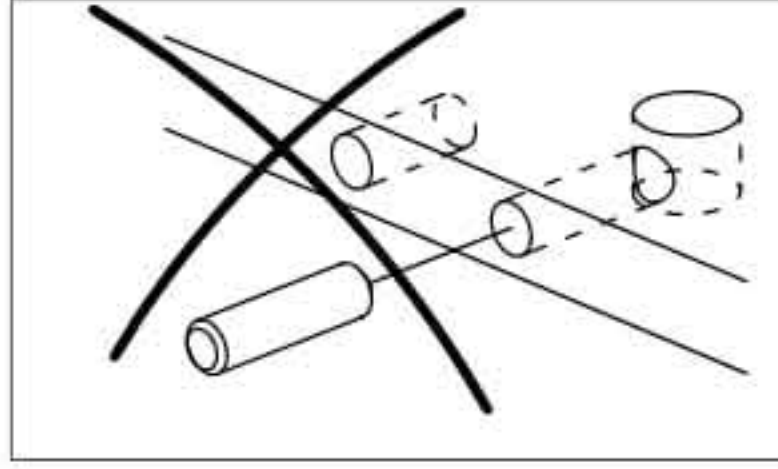
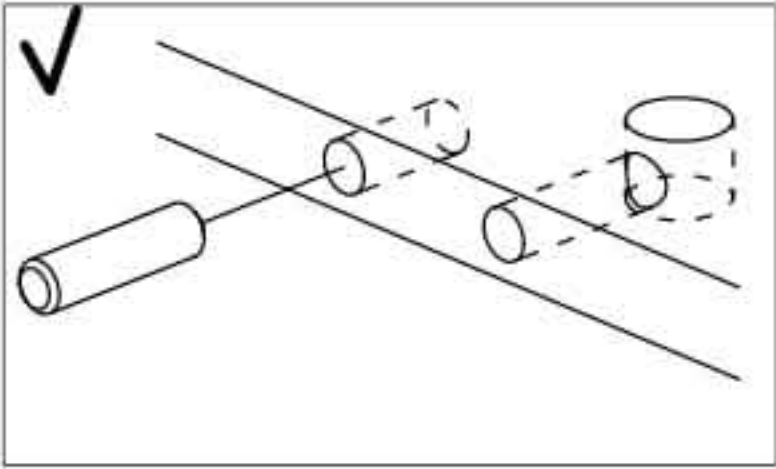


300x120x12 mm

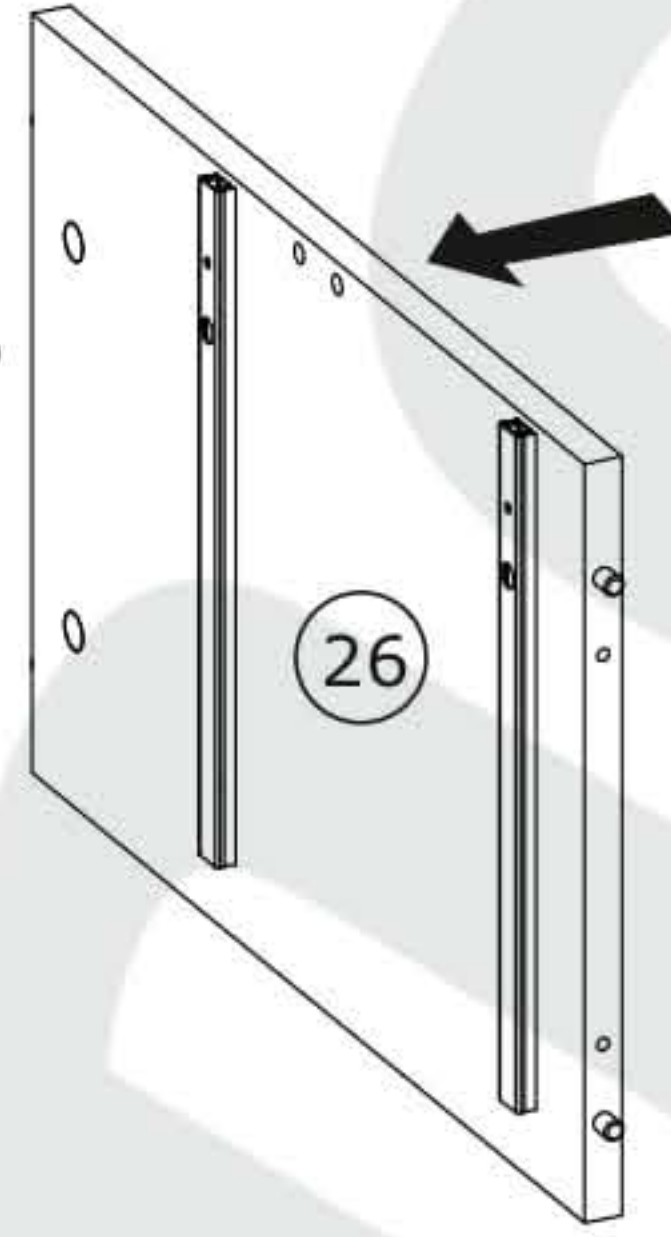
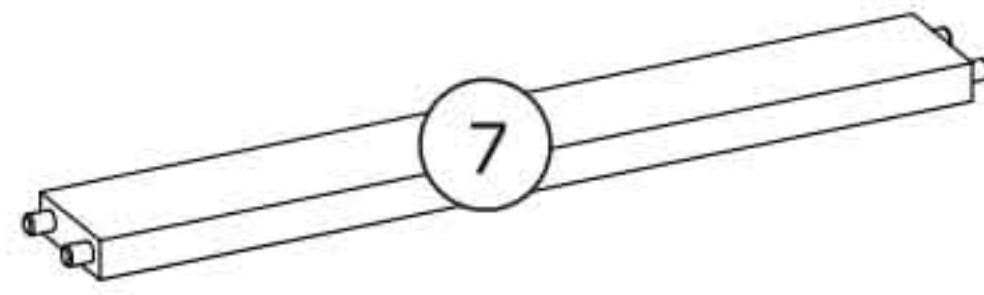
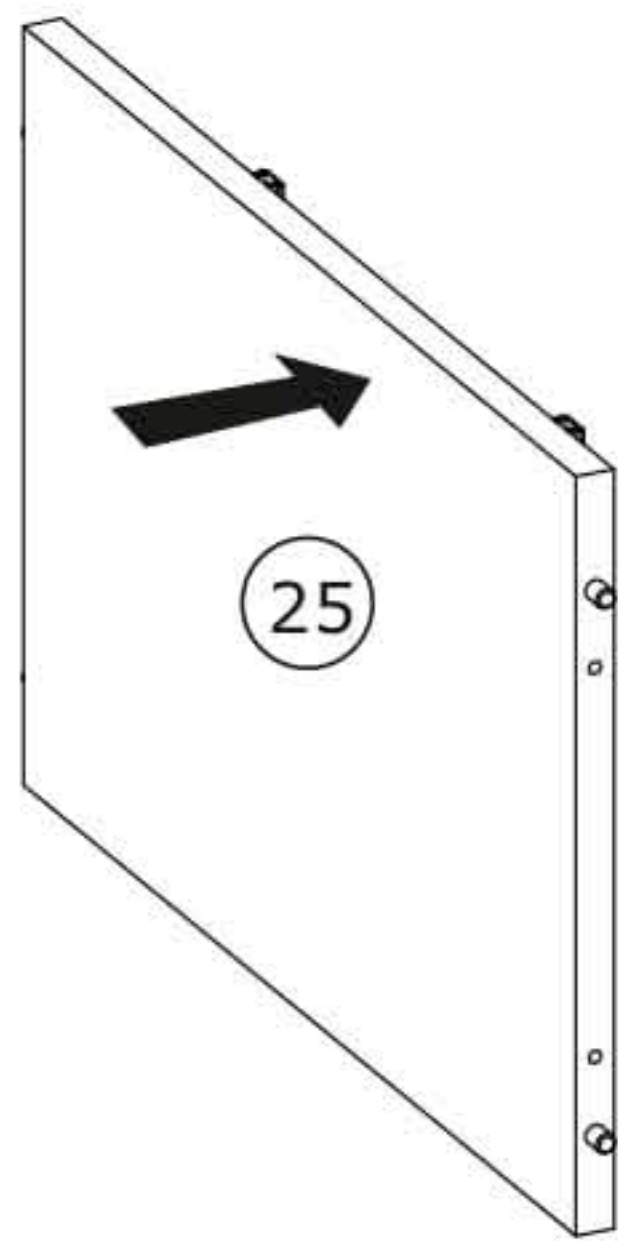
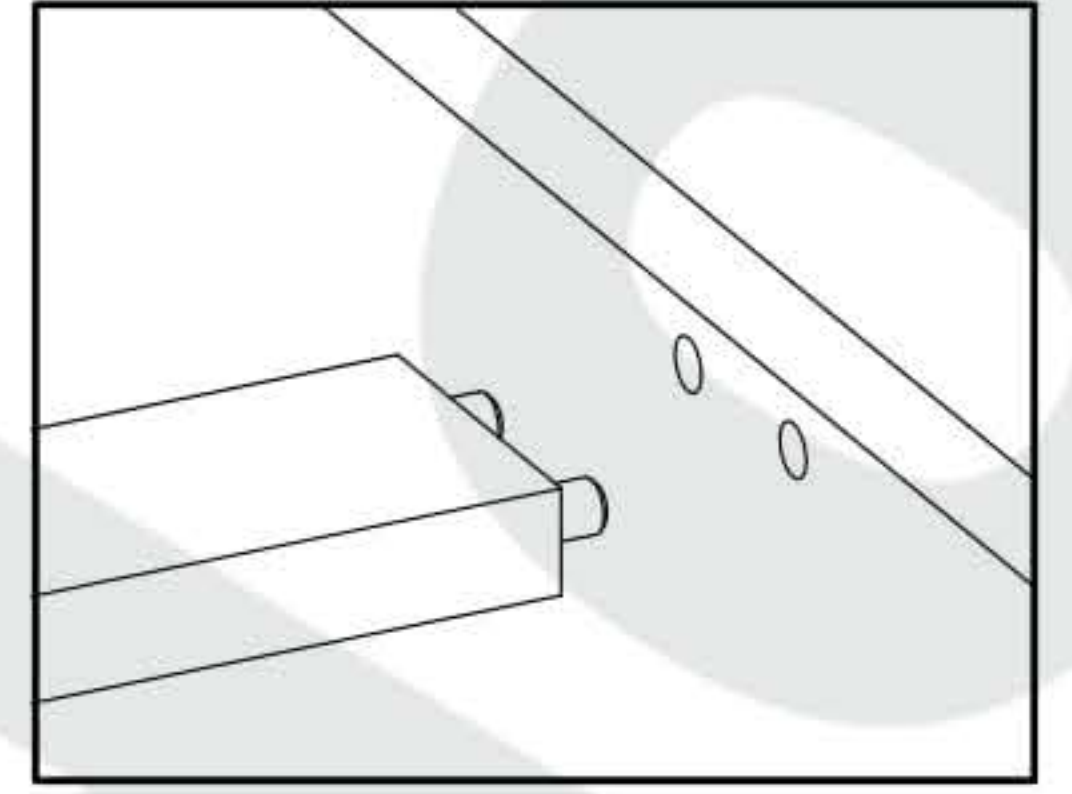


1

A x 12  Ø8x35 mm	M x 8  Ø6,3x13 mm	N1 x 4  278 mm	D x 4  Ø5x44 mm	  
---	--	--	--	---

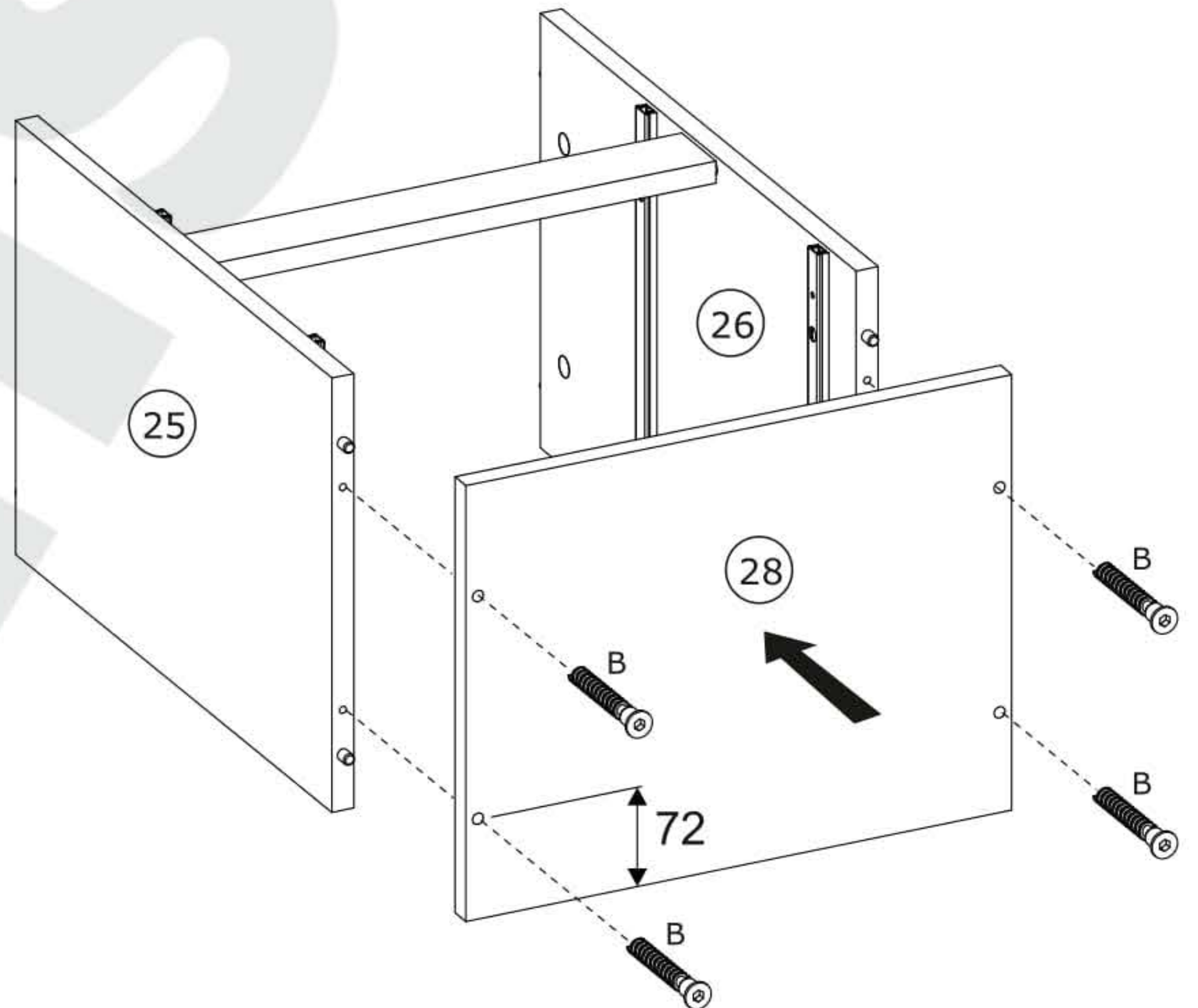
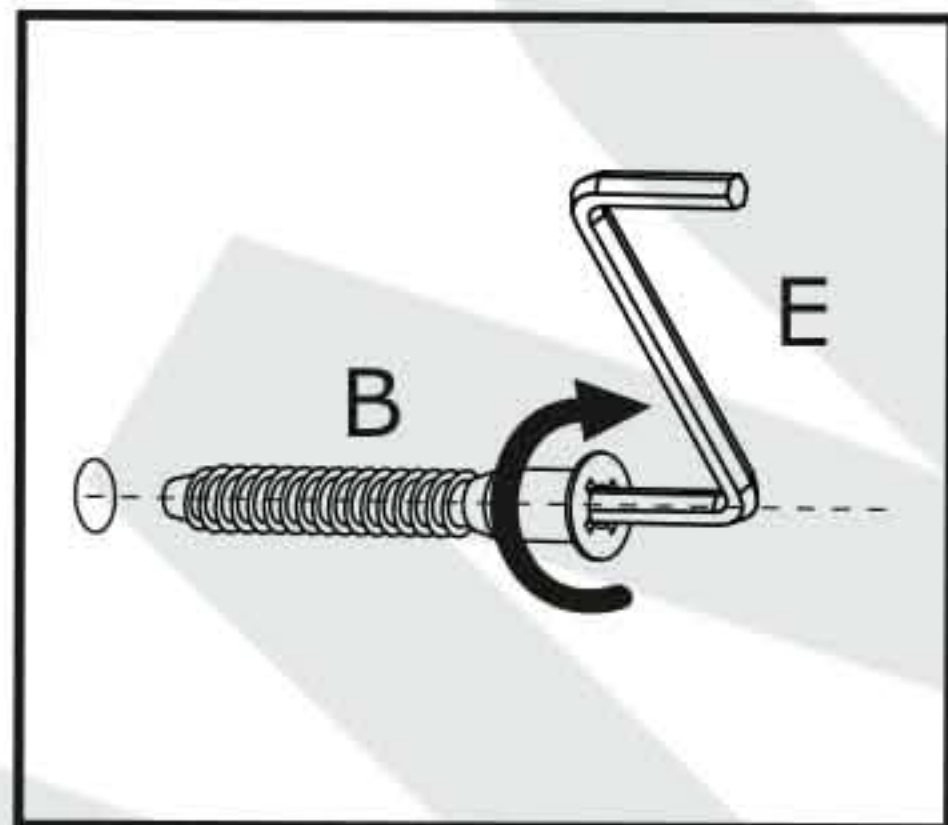
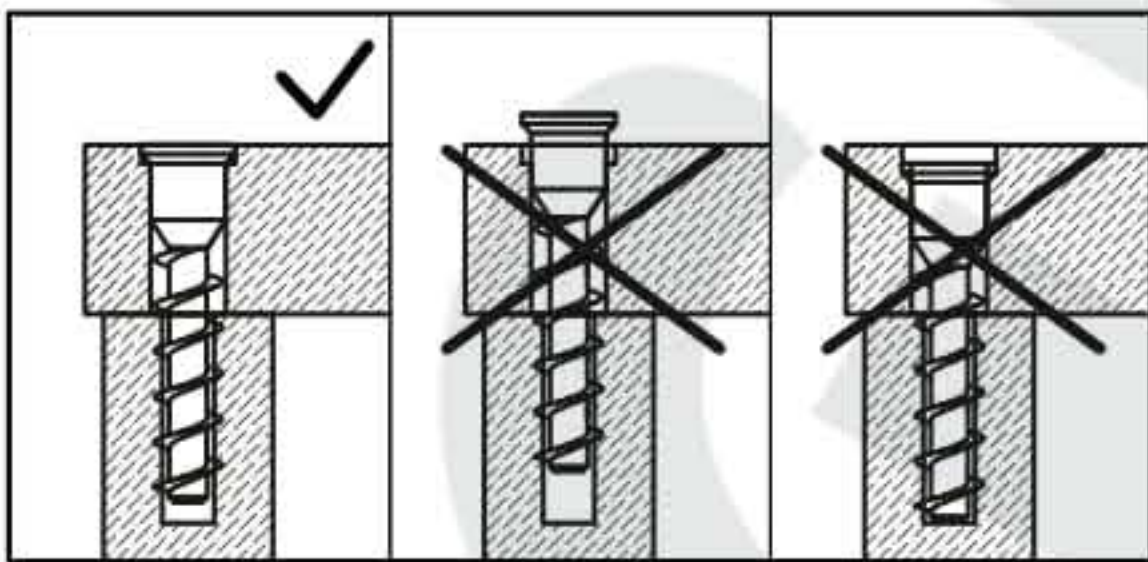


2


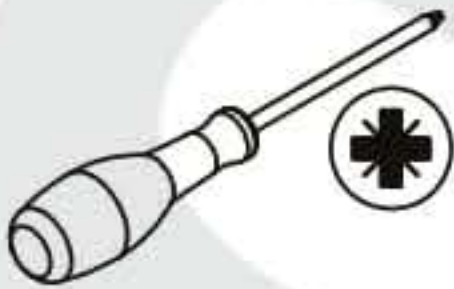


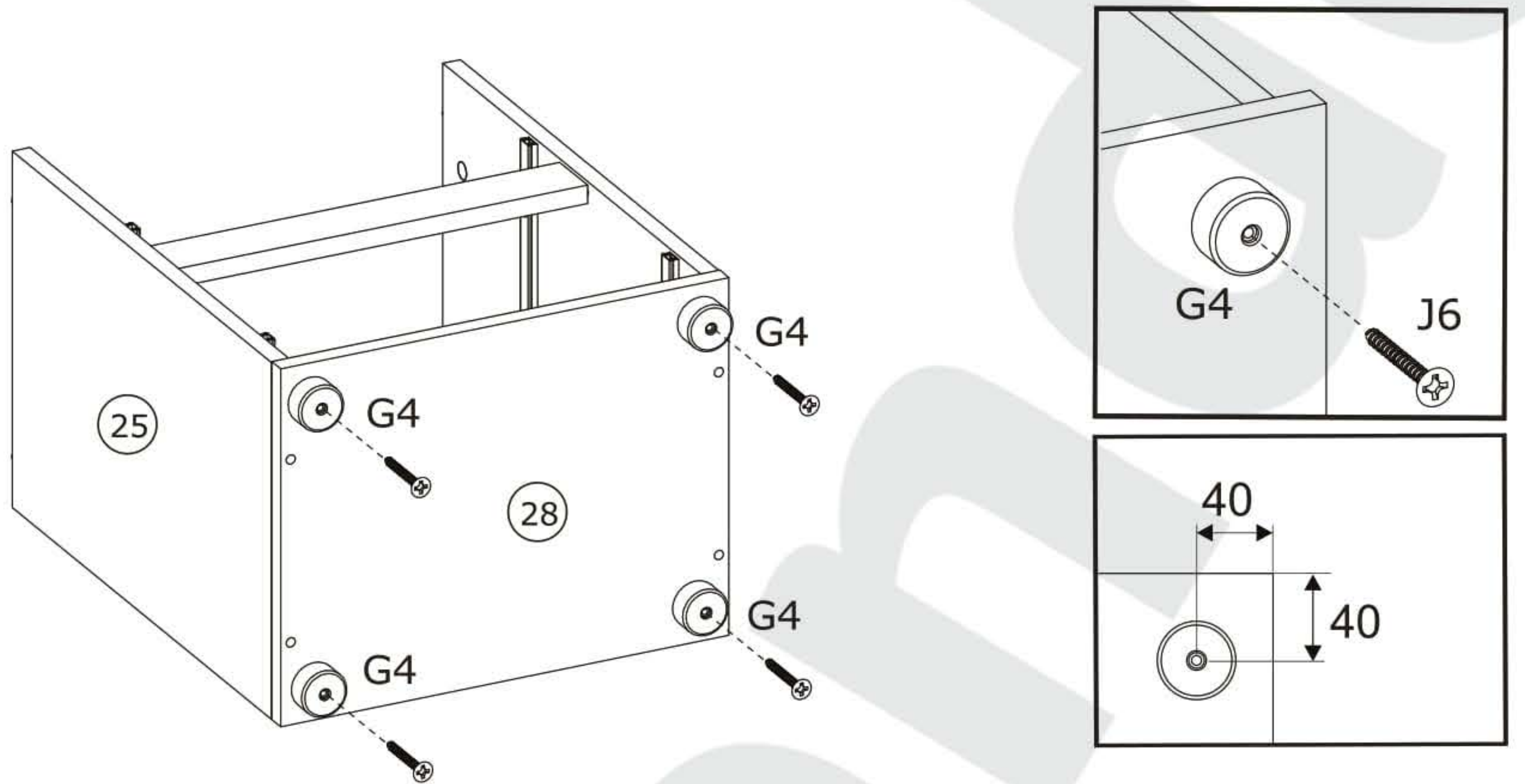
3

<p>B x 4</p>  <p>Ø7x50 mm</p>	<p>E x 1</p>  <p>4 mm</p>
--	--



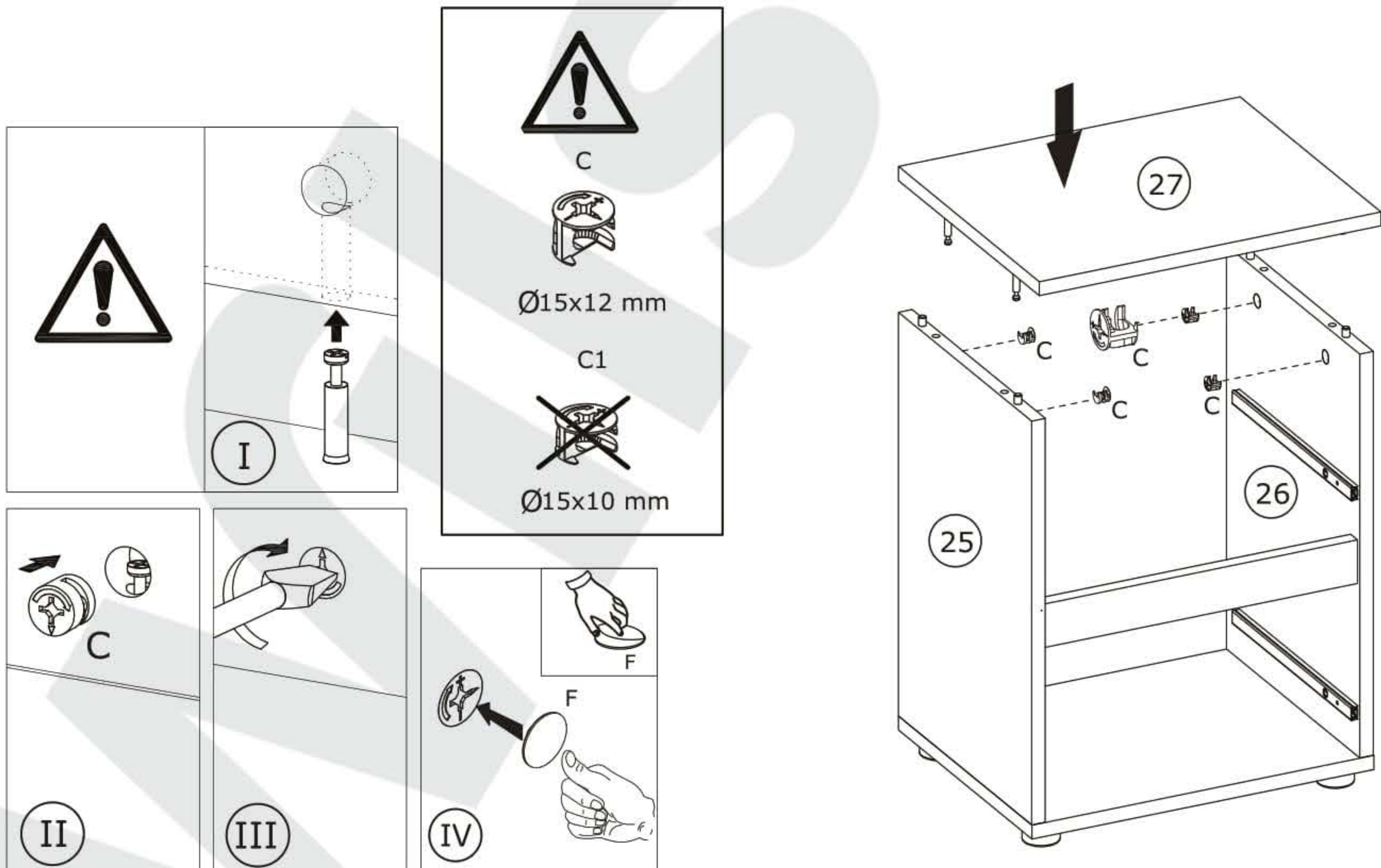
4

G4 x 4 	J6 x 4 4x30 mm 	
---	--	---

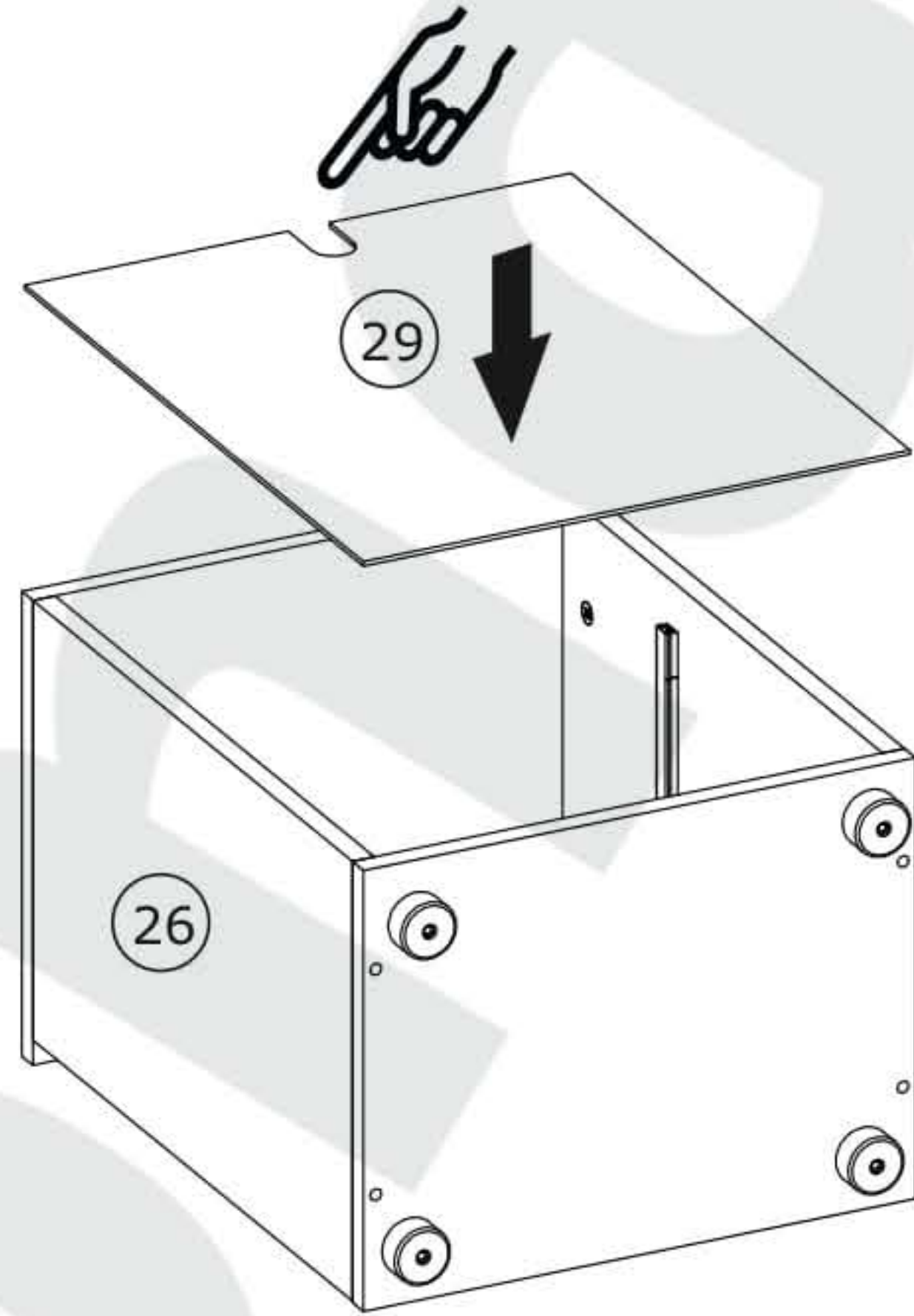
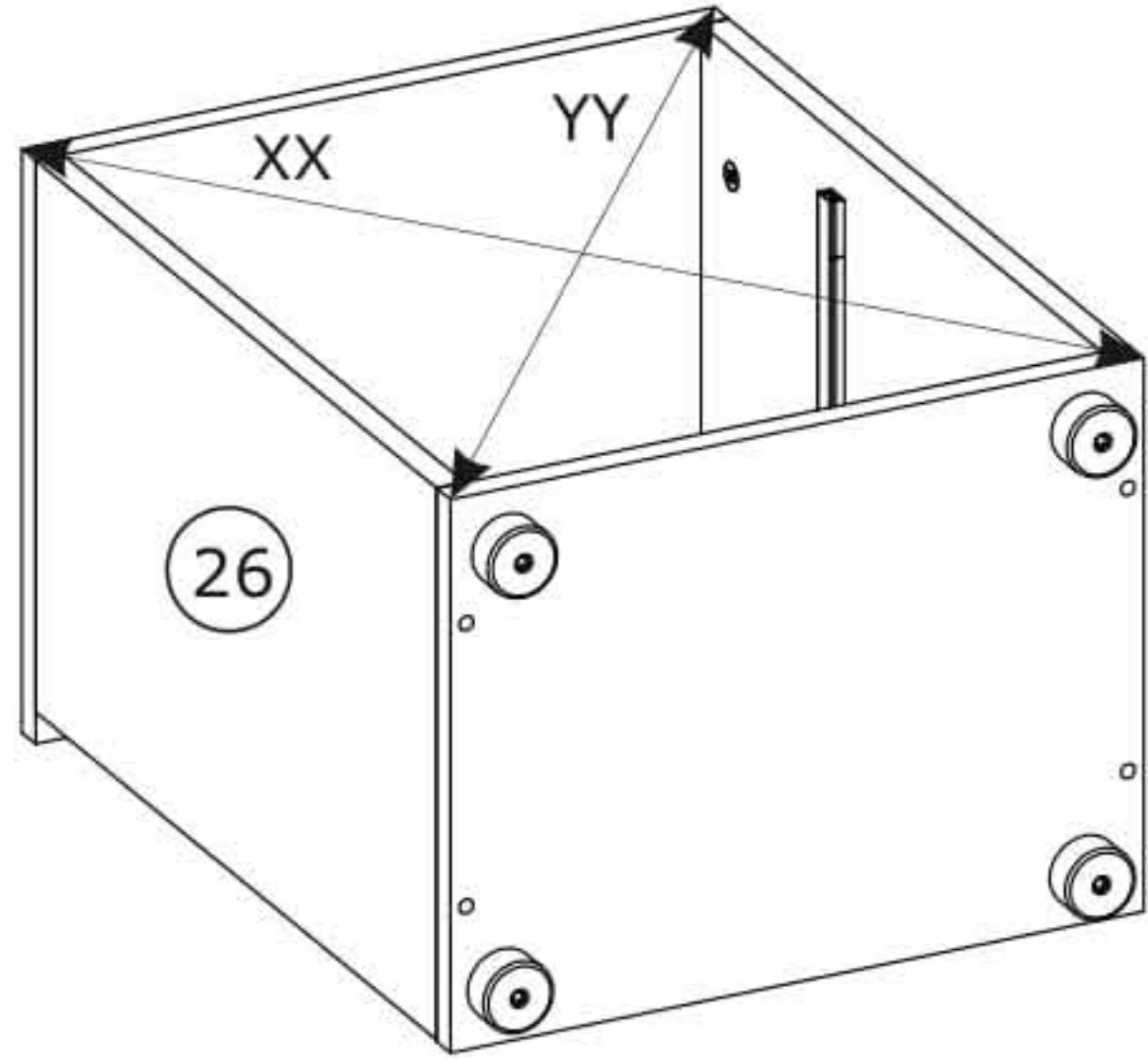



5

C x 4  Ø15x12 mm	F x 4  20 mm	
---	---	---

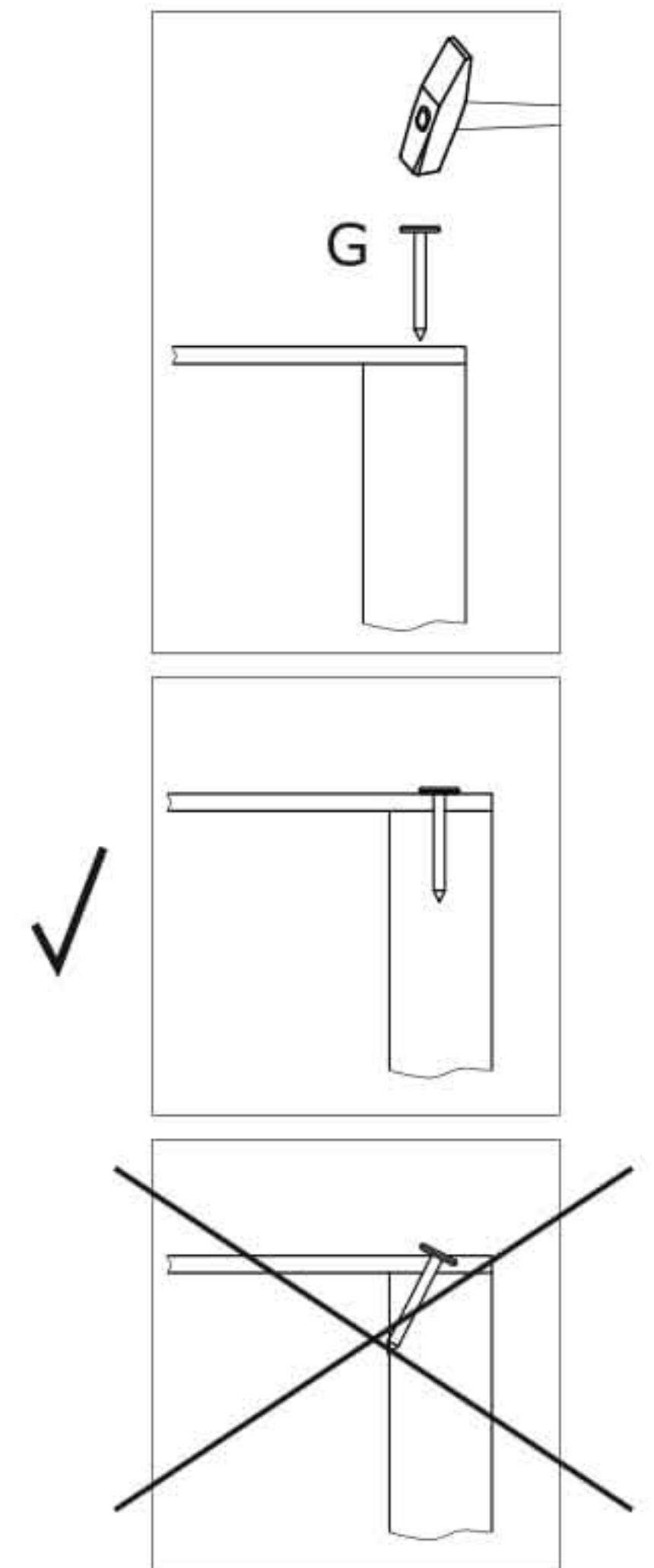
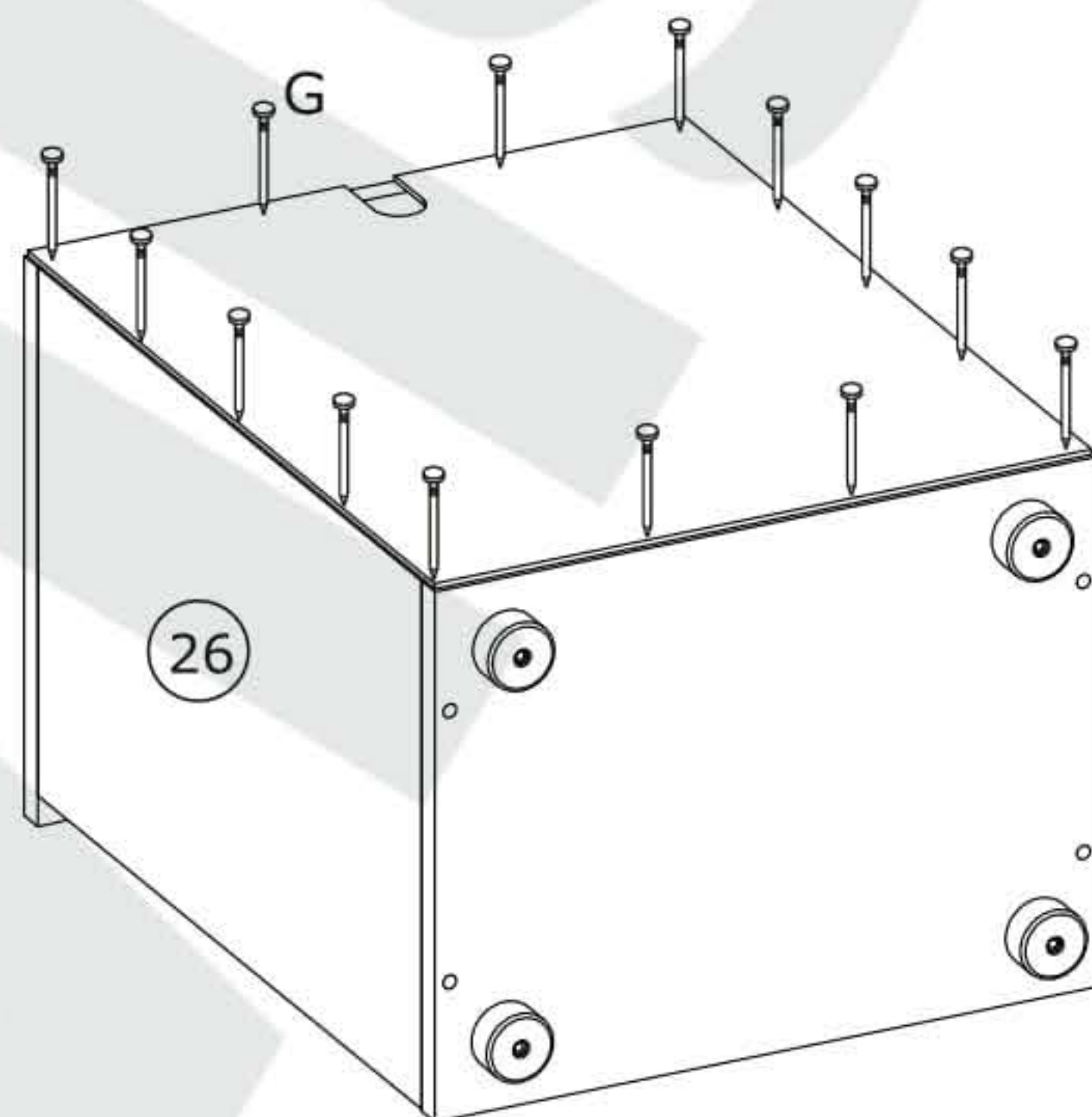


6

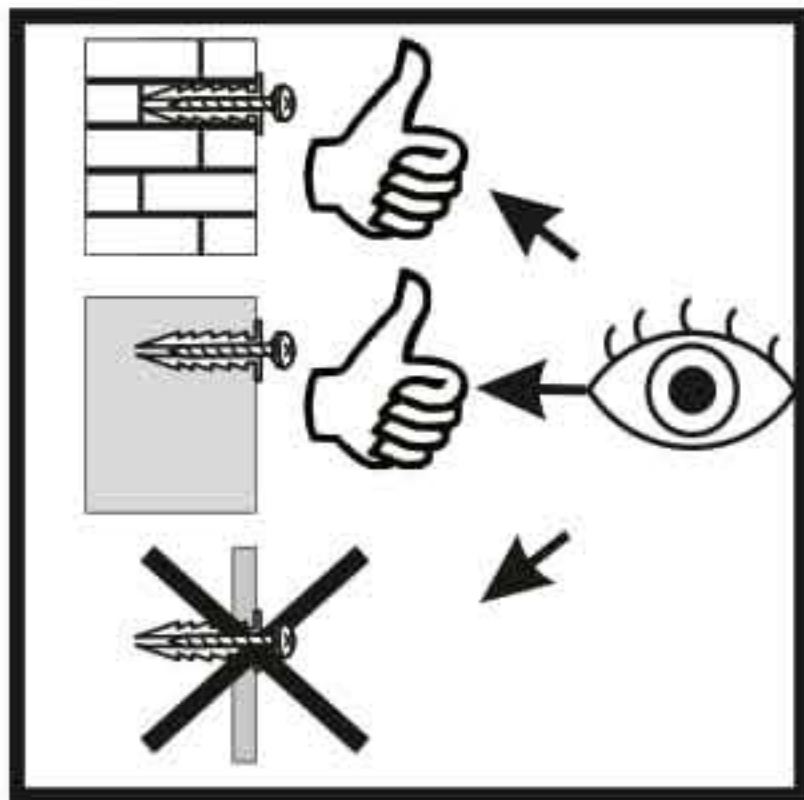
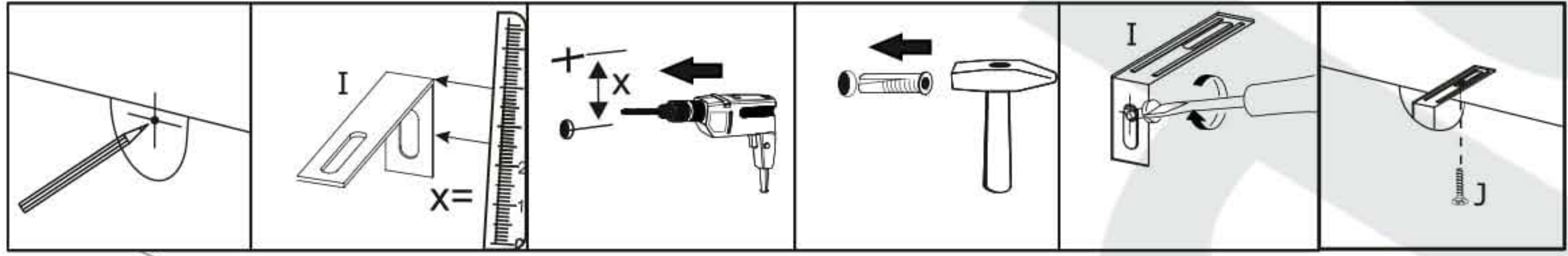
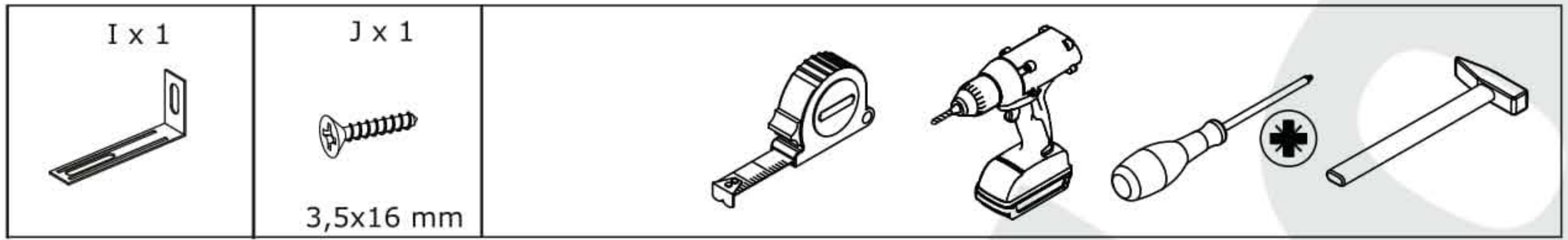


 $XX = YY = 90^\circ$

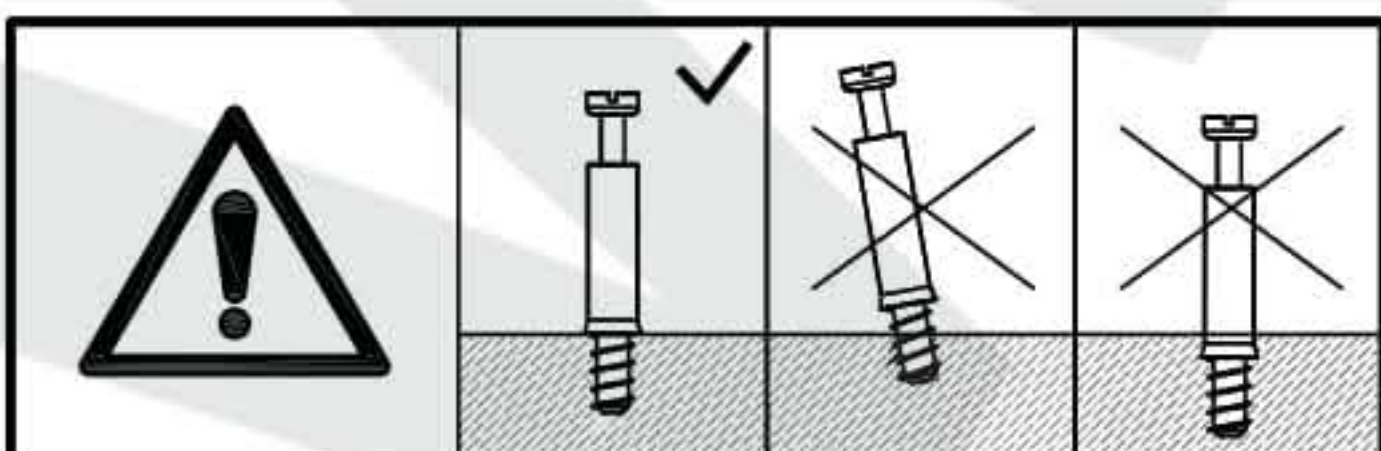
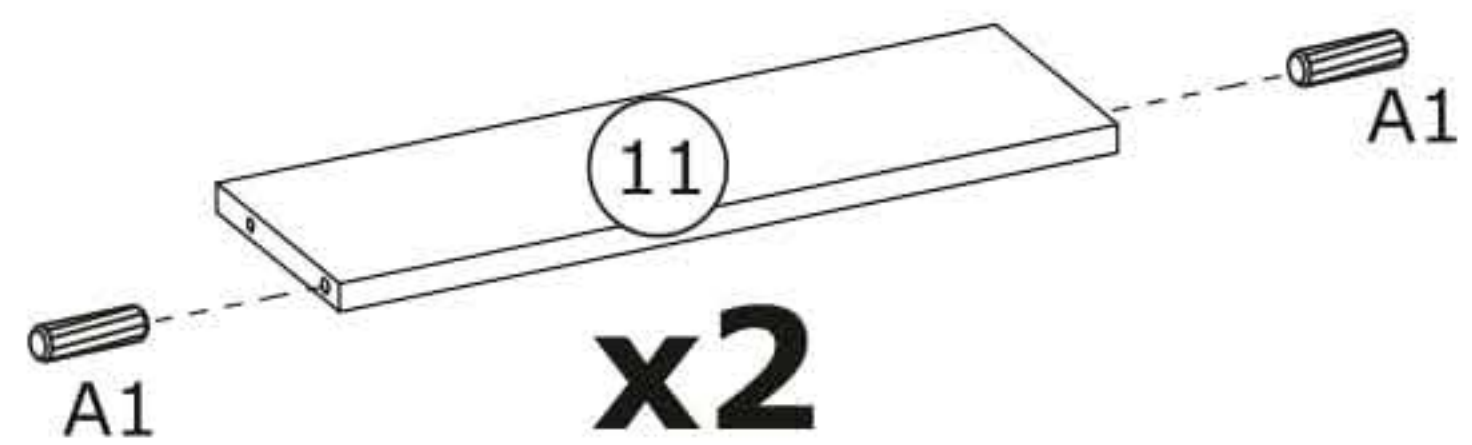
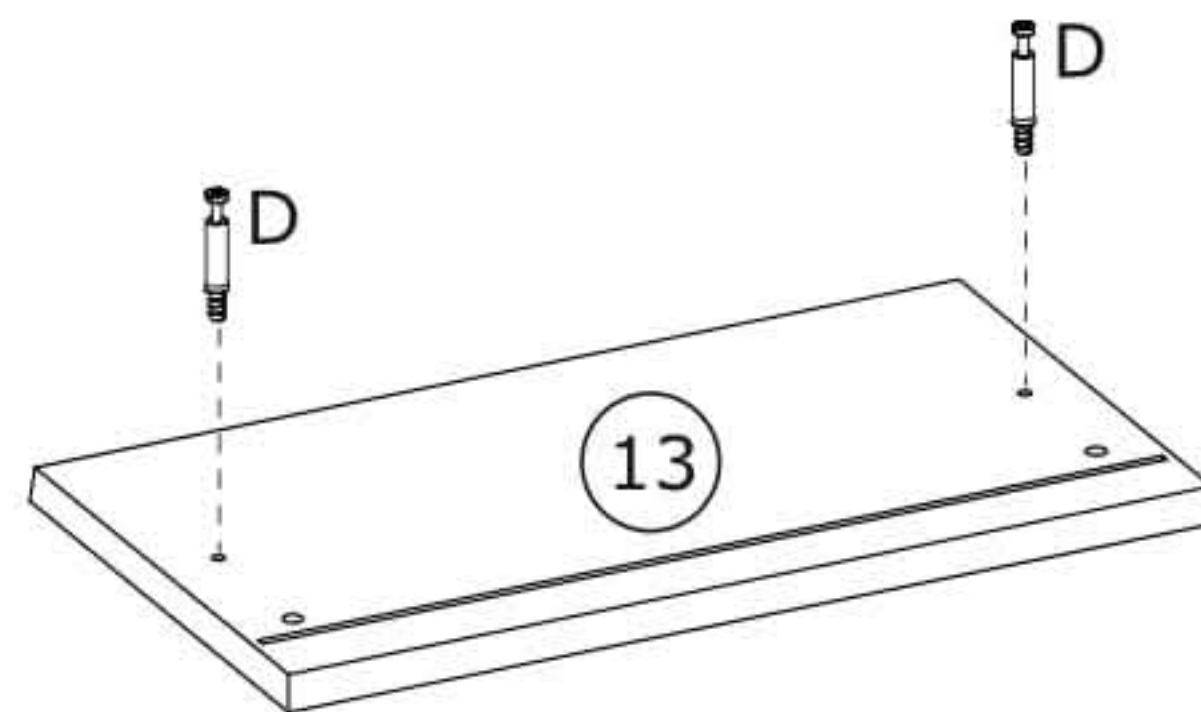
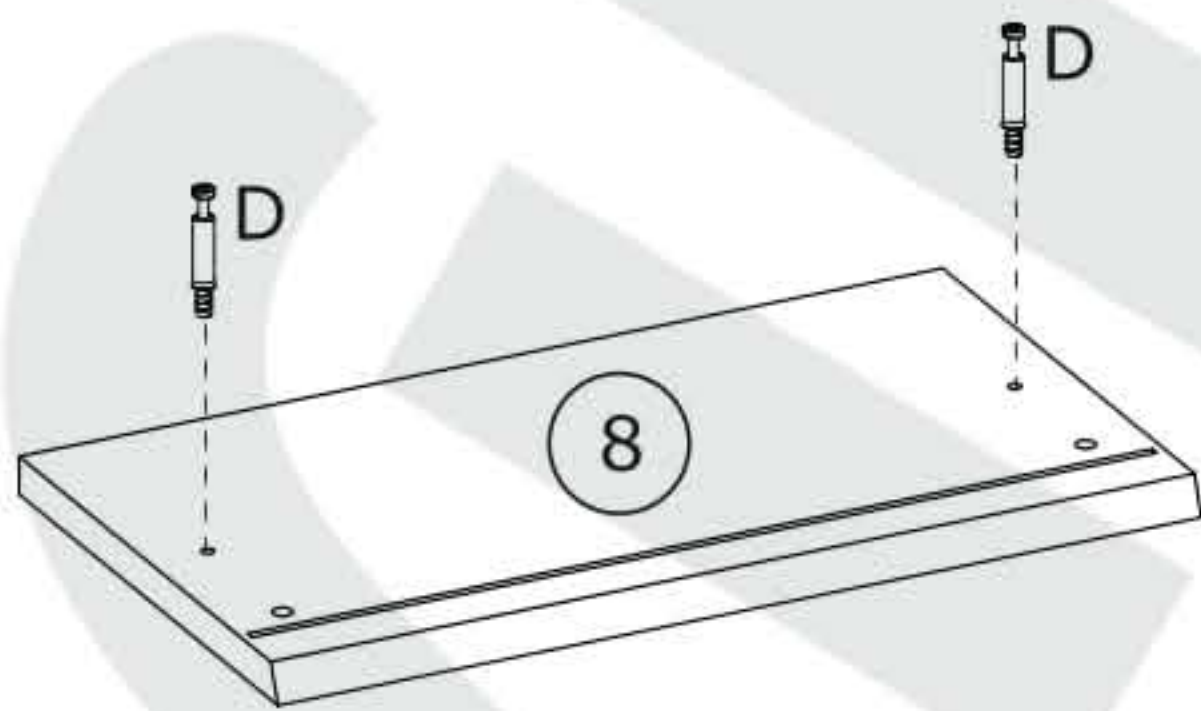
7



8

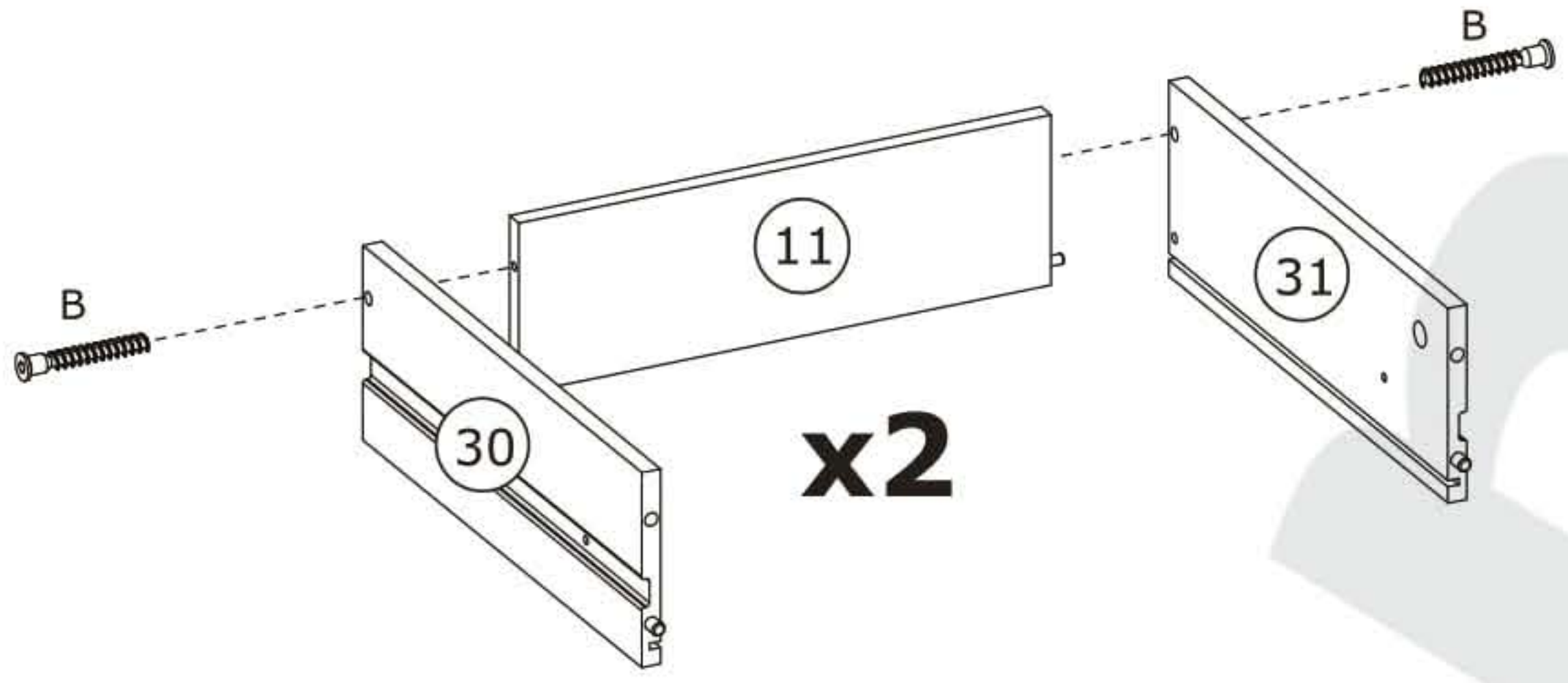
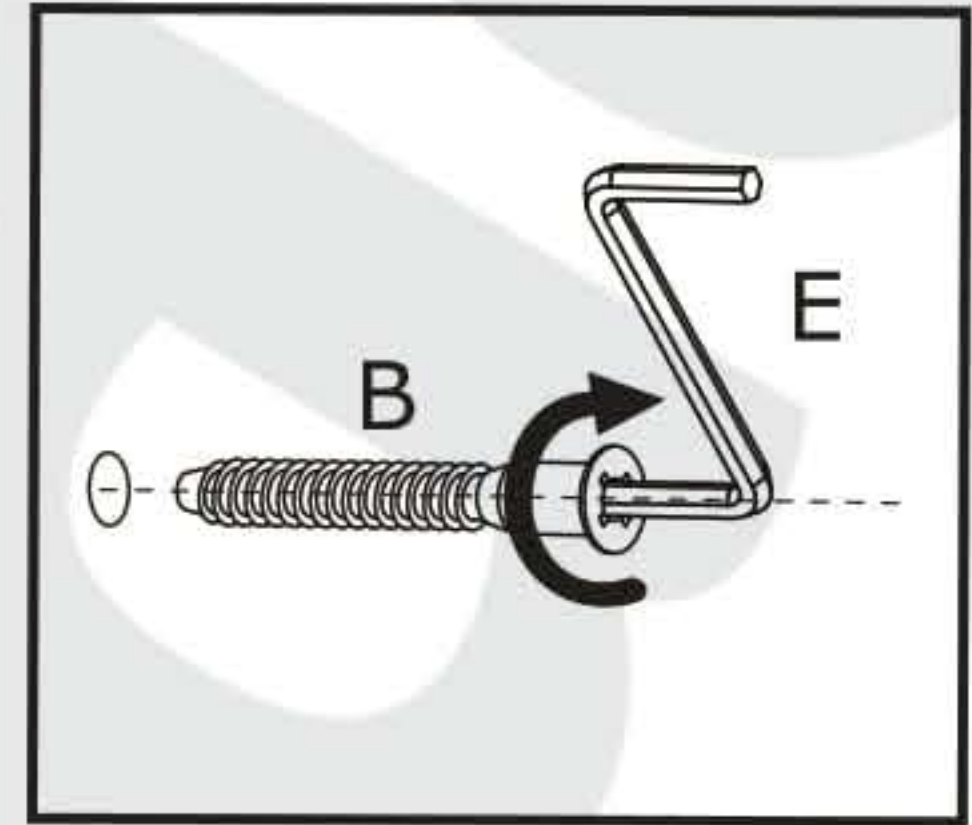
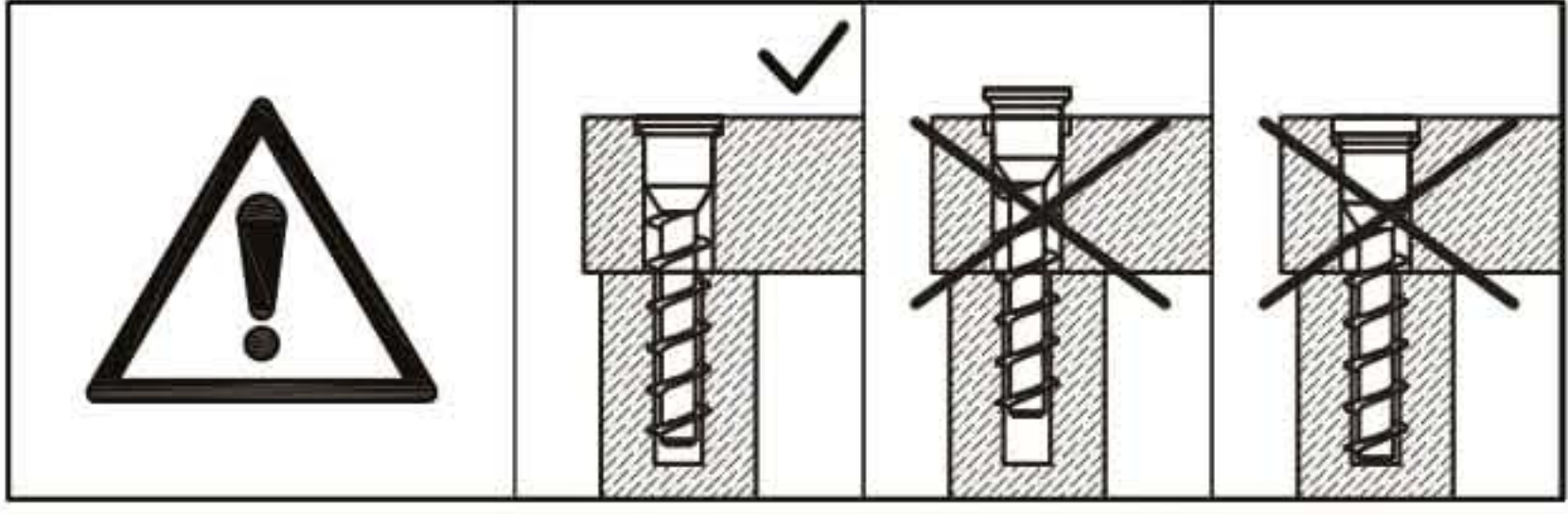


9



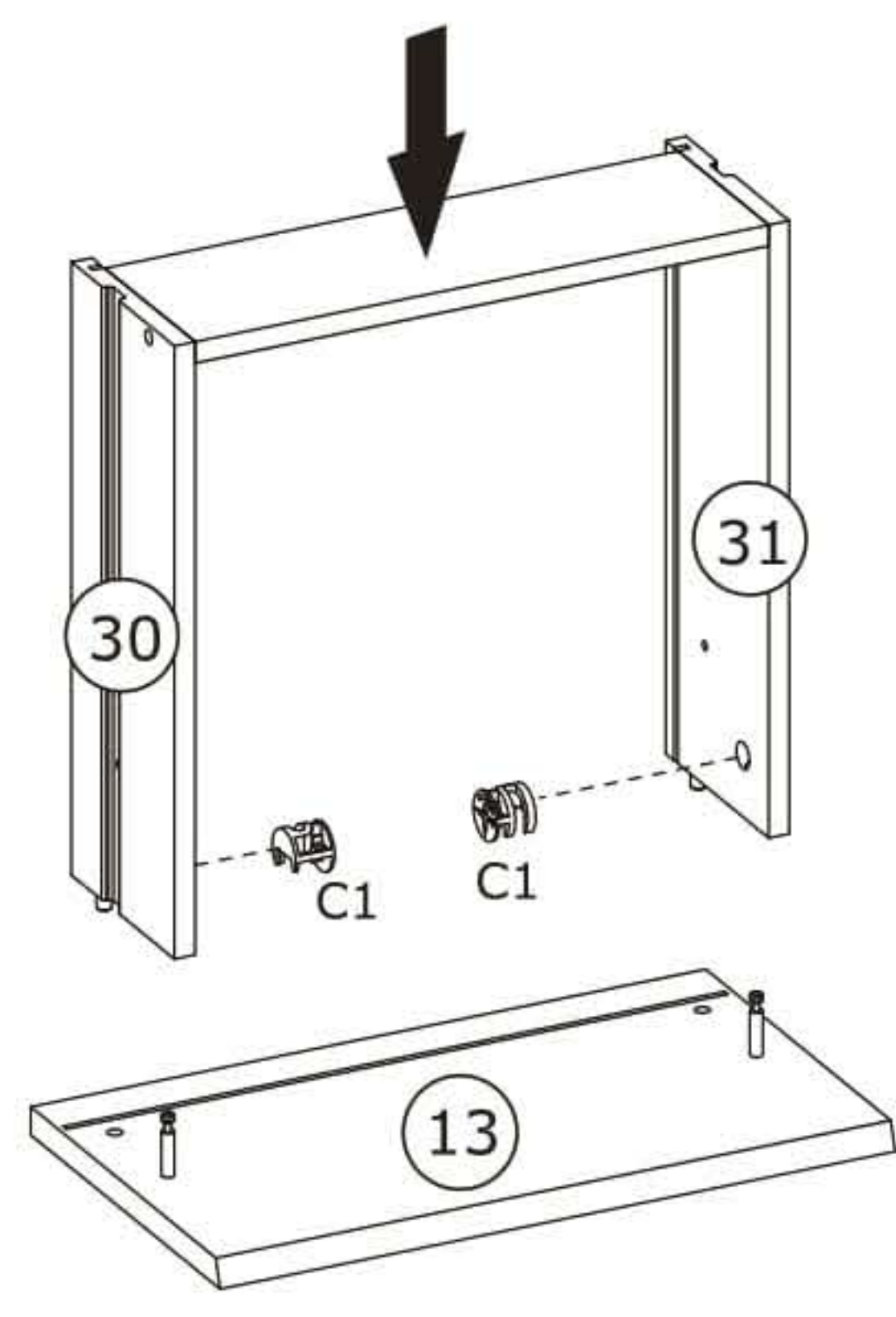
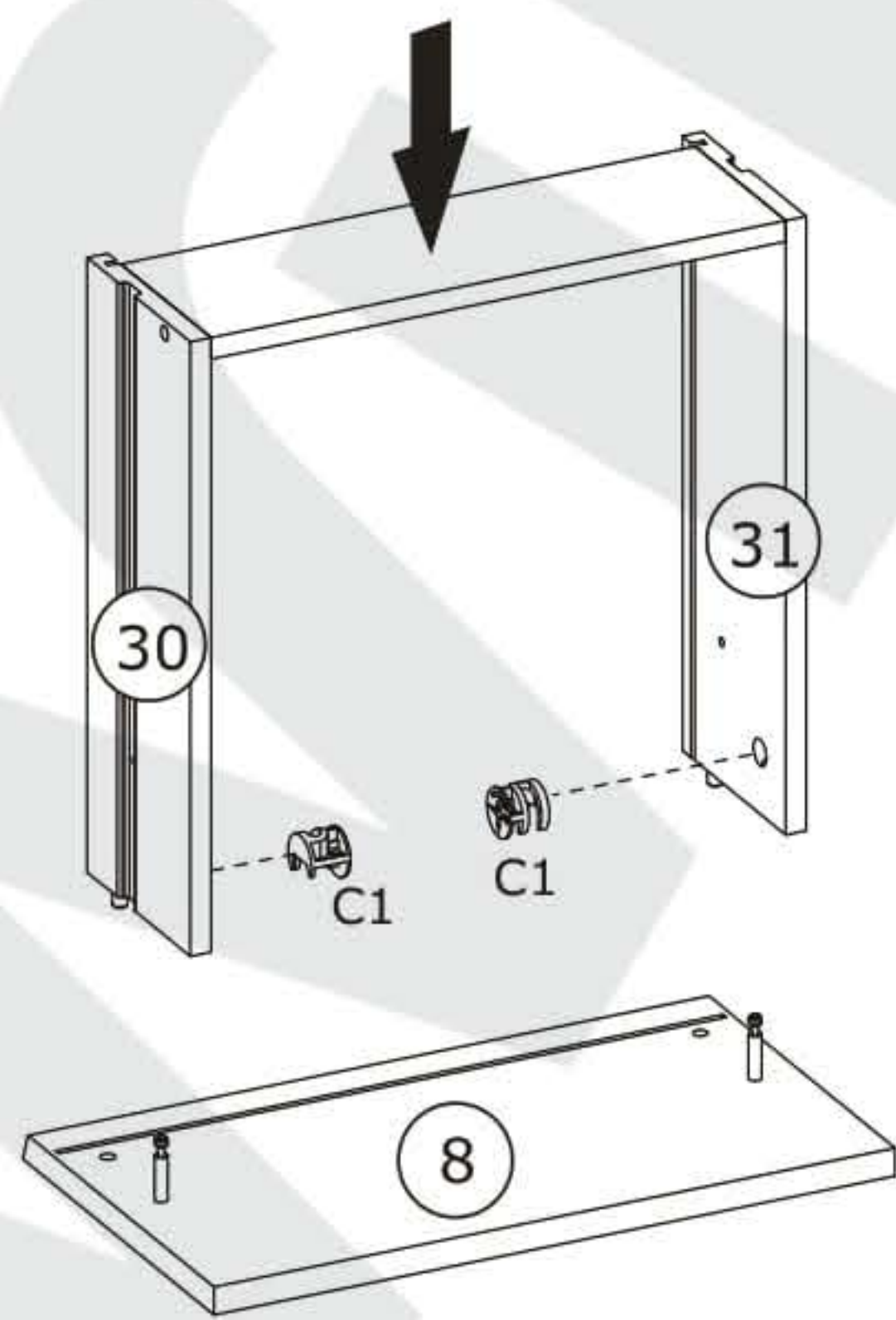
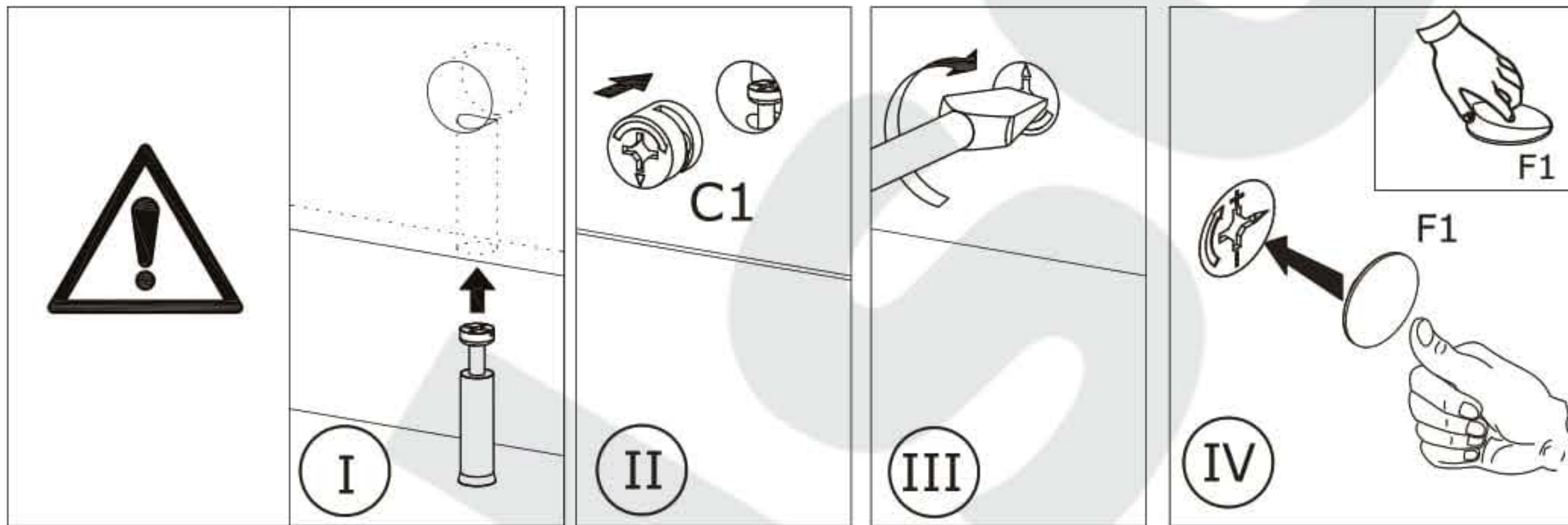
10

B x 4  Ø7x50 mm	E x 1  4 mm
--	--

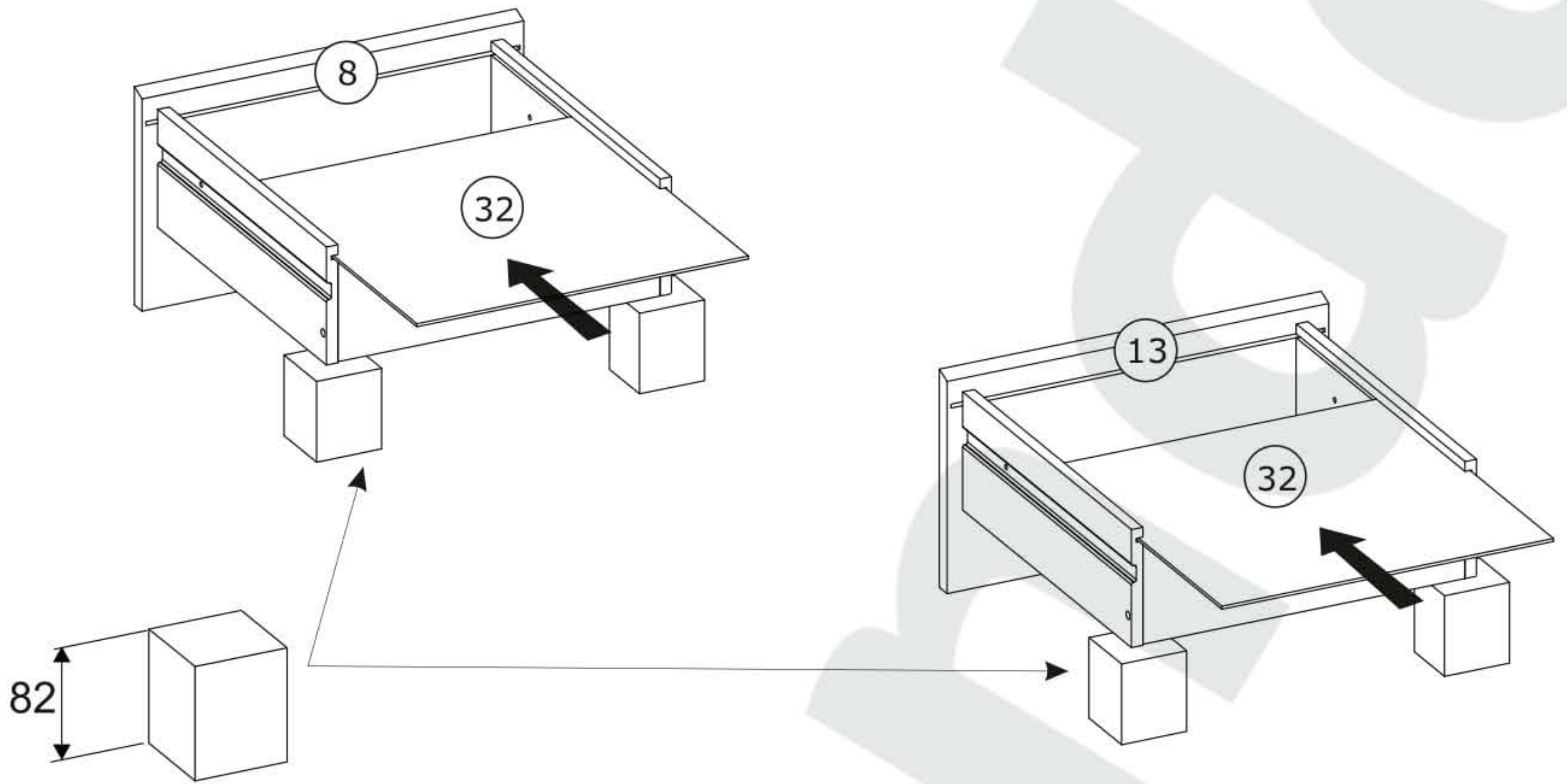


11

C1 x 4  Ø15x10 mm	F1 x 4  20 mm	
--	--	---




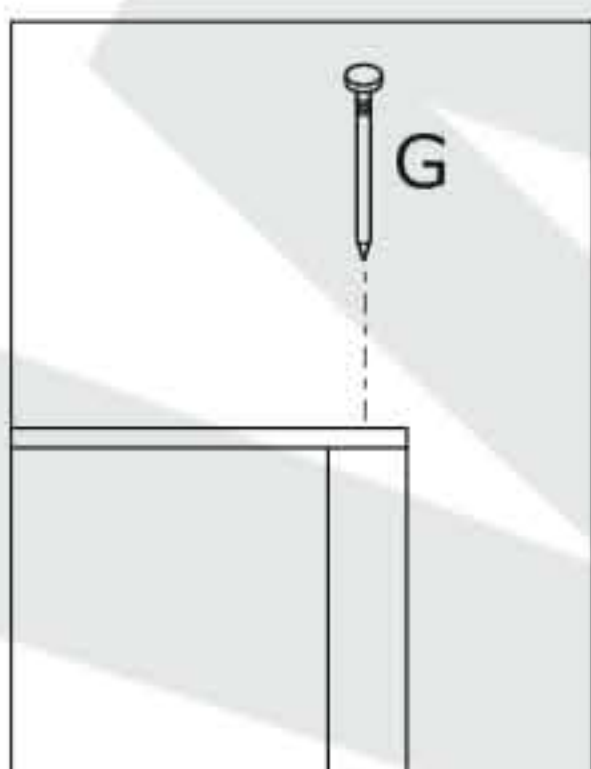
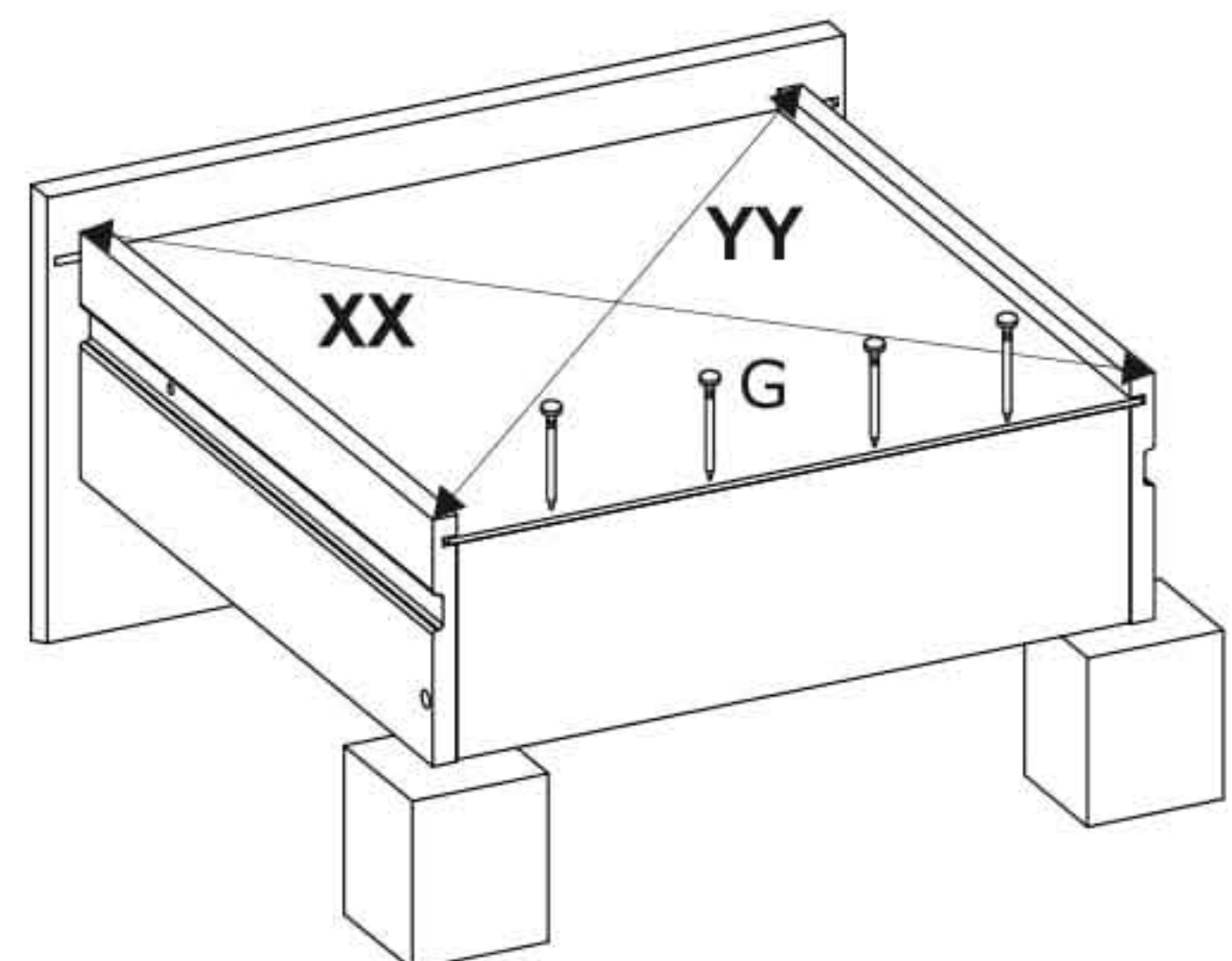
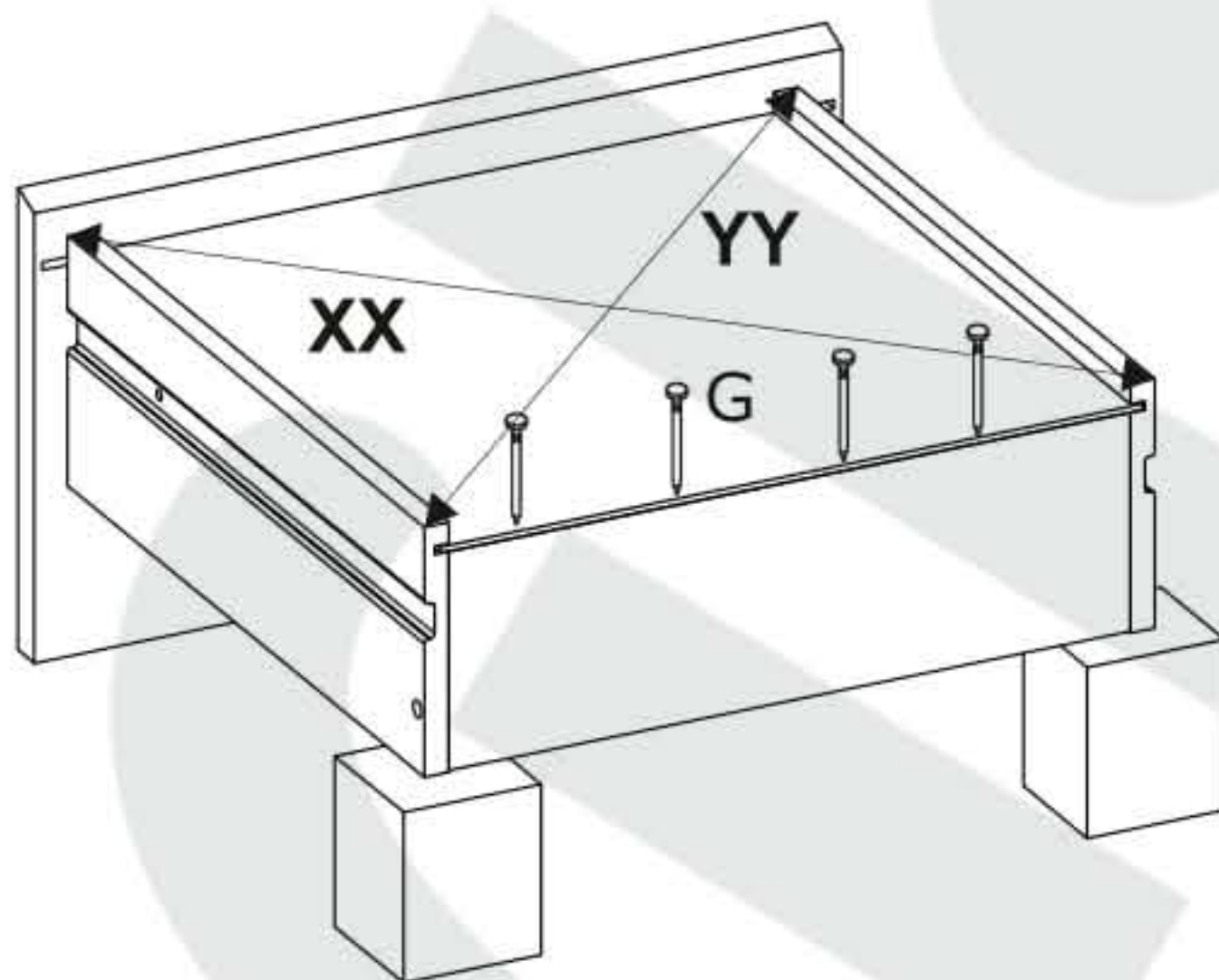
12



13



 $XX=YY\equiv 90^\circ$



14

Q x 4
4x9 mm

