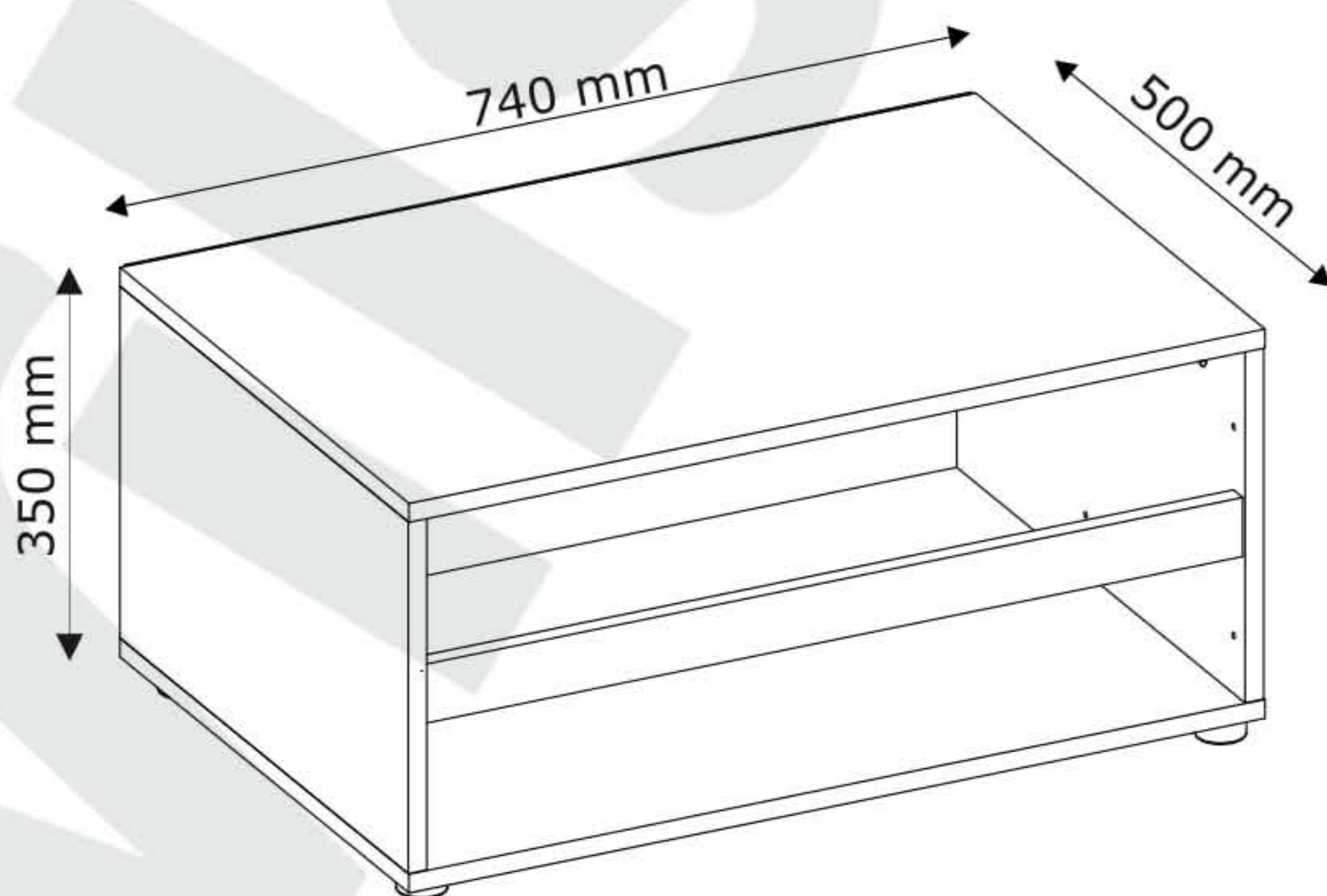
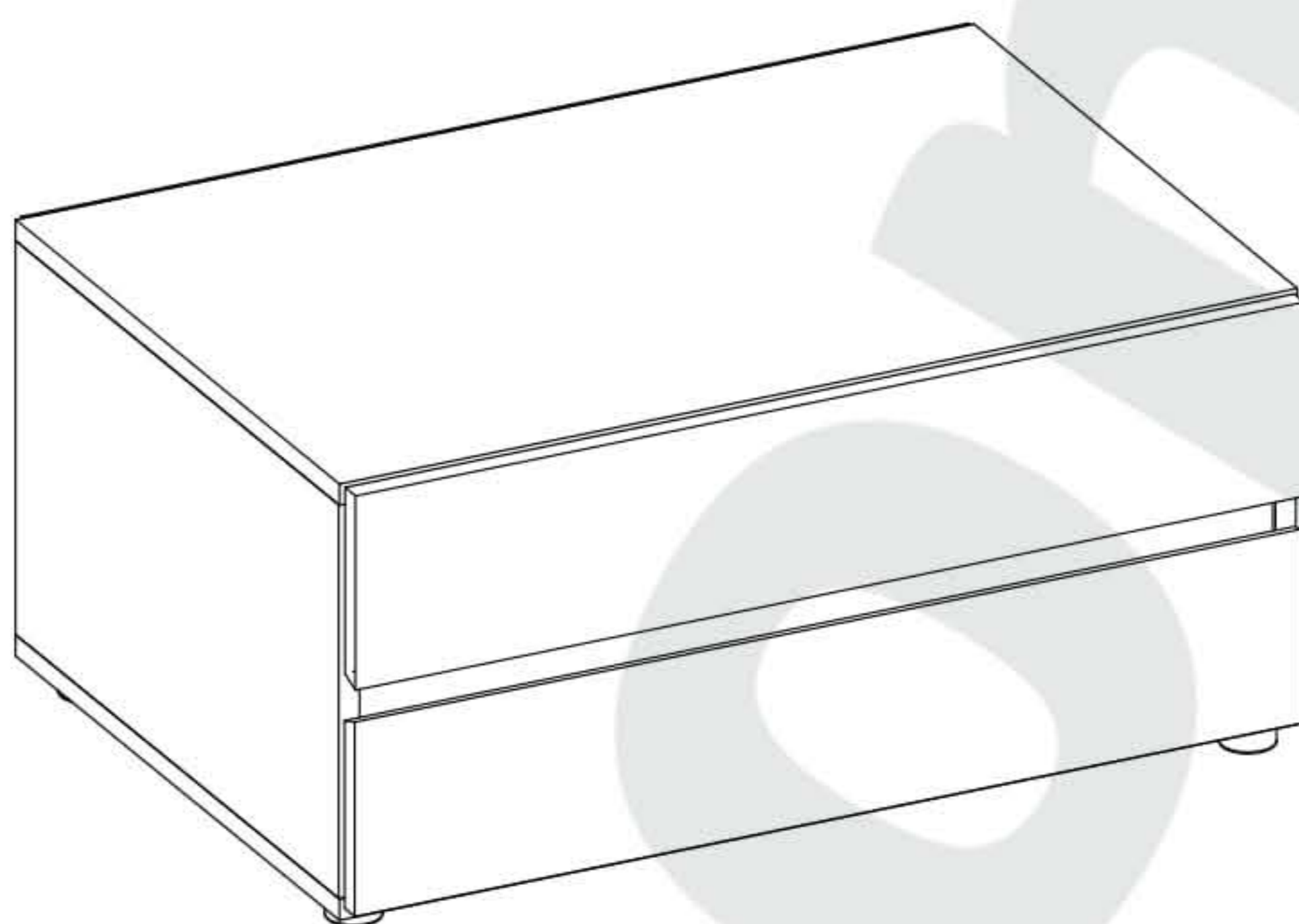
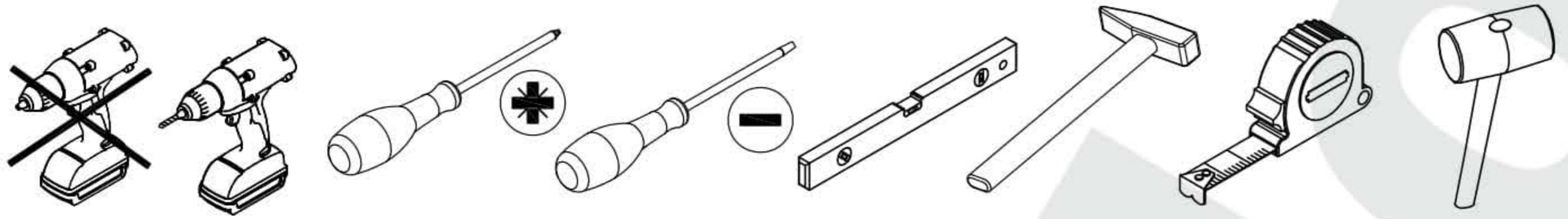


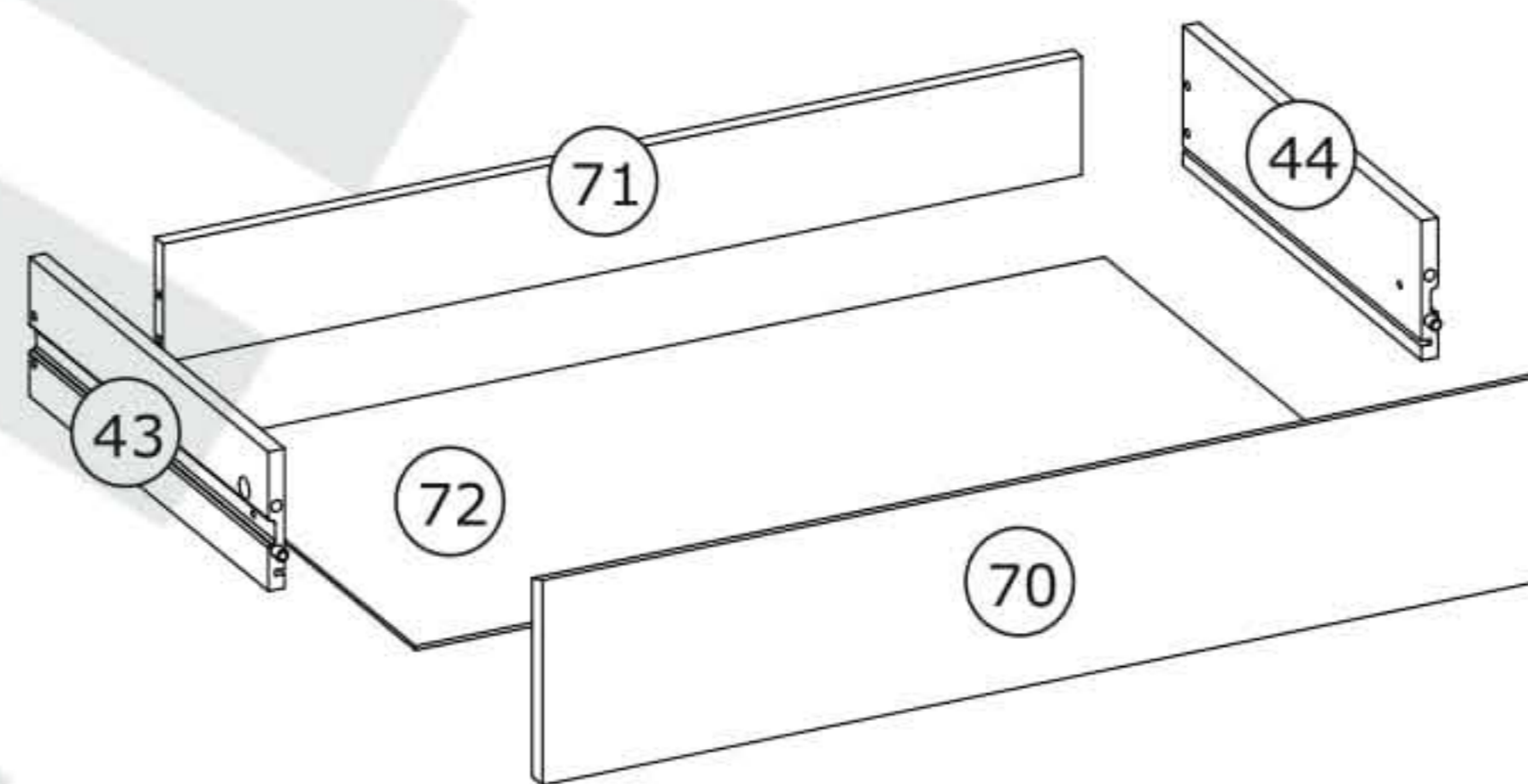
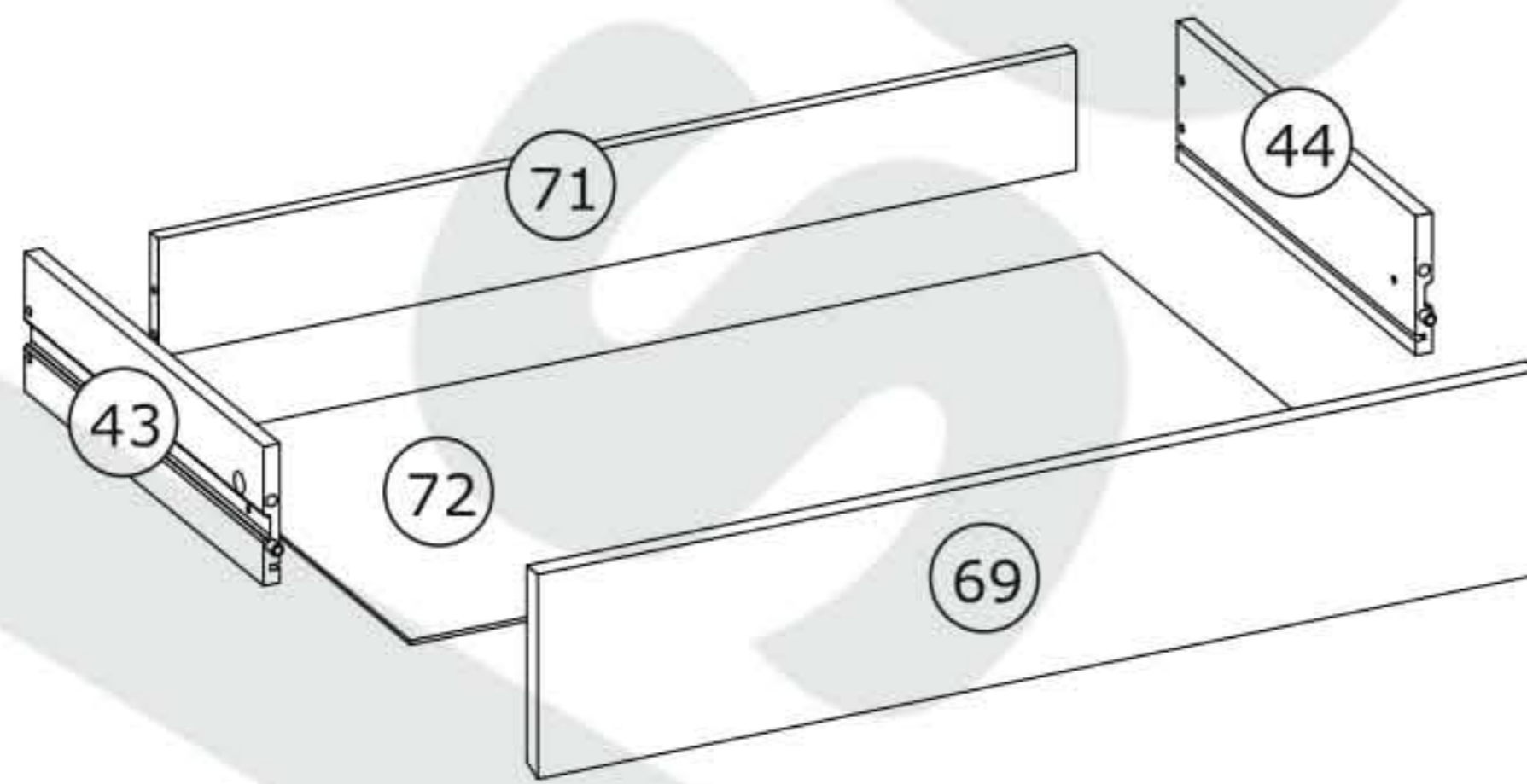
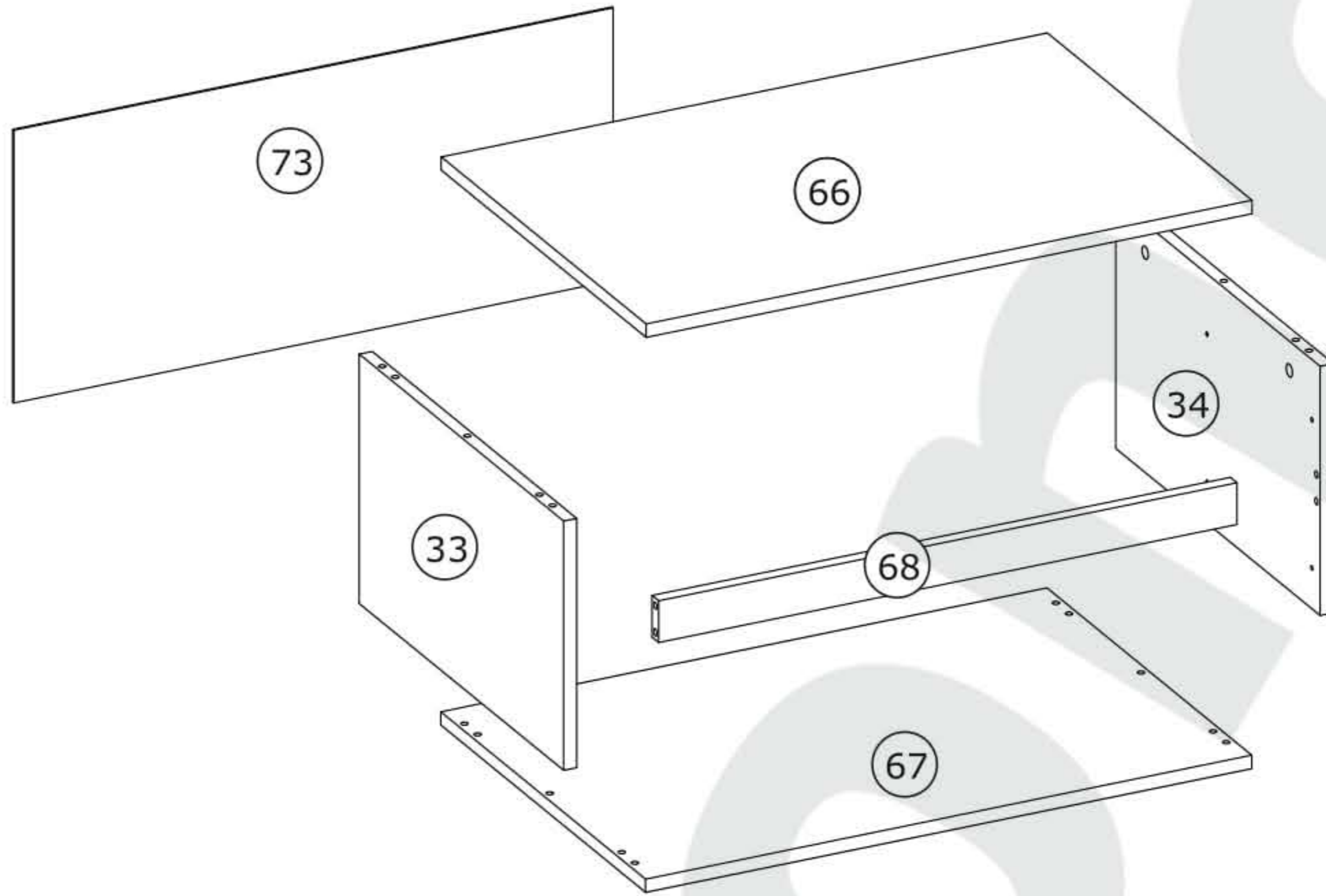
Basic Plus

Podstava S2 Alap S2
Baza S2

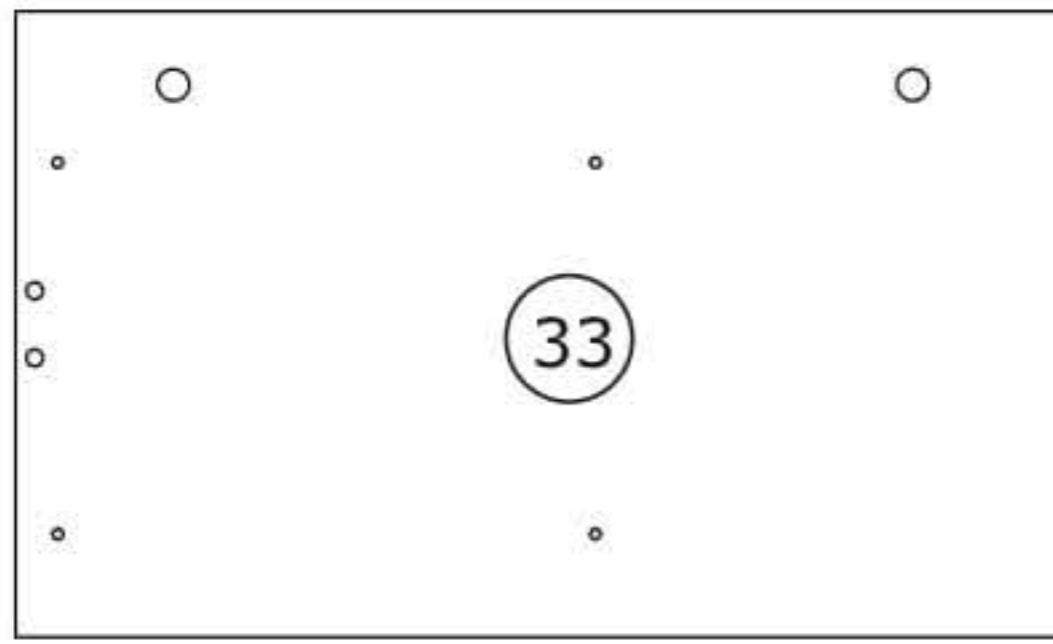




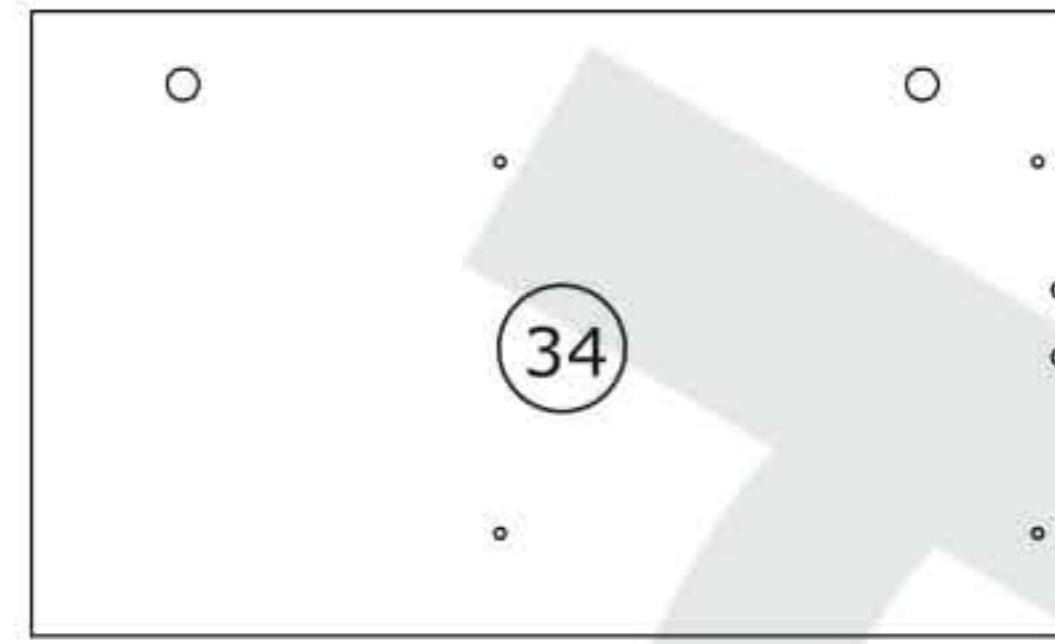
<p>A x 20</p>  <p>Ø8x35 mm</p>	<p>B x 4</p>  <p>Ø7x50 mm</p>	<p>B2 x 8</p> 	<p>C x 4</p>  <p>Ø15x12 mm</p>
<p>C1 x 4</p>  <p>Ø15x10 mm</p>	<p>D x 8</p>  <p>Ø5x44 mm</p>	<p>E x 1</p>  <p>4 mm</p>	<p>F x 4</p>  <p>20 mm</p>
<p>F1 x 4</p>  <p>20 mm</p>	<p>G x 30</p>  <p>1,2x25 mm</p>	<p>G4 x 4</p> 	<p>M x 8</p>  <p>Ø6,3x13 mm</p>
<p>J6 x 4</p>  <p>4x30 mm</p>	<p>N1 x 4</p>  <p>310 mm</p>		<p>Q x 4</p>  <p>4x9 mm</p>



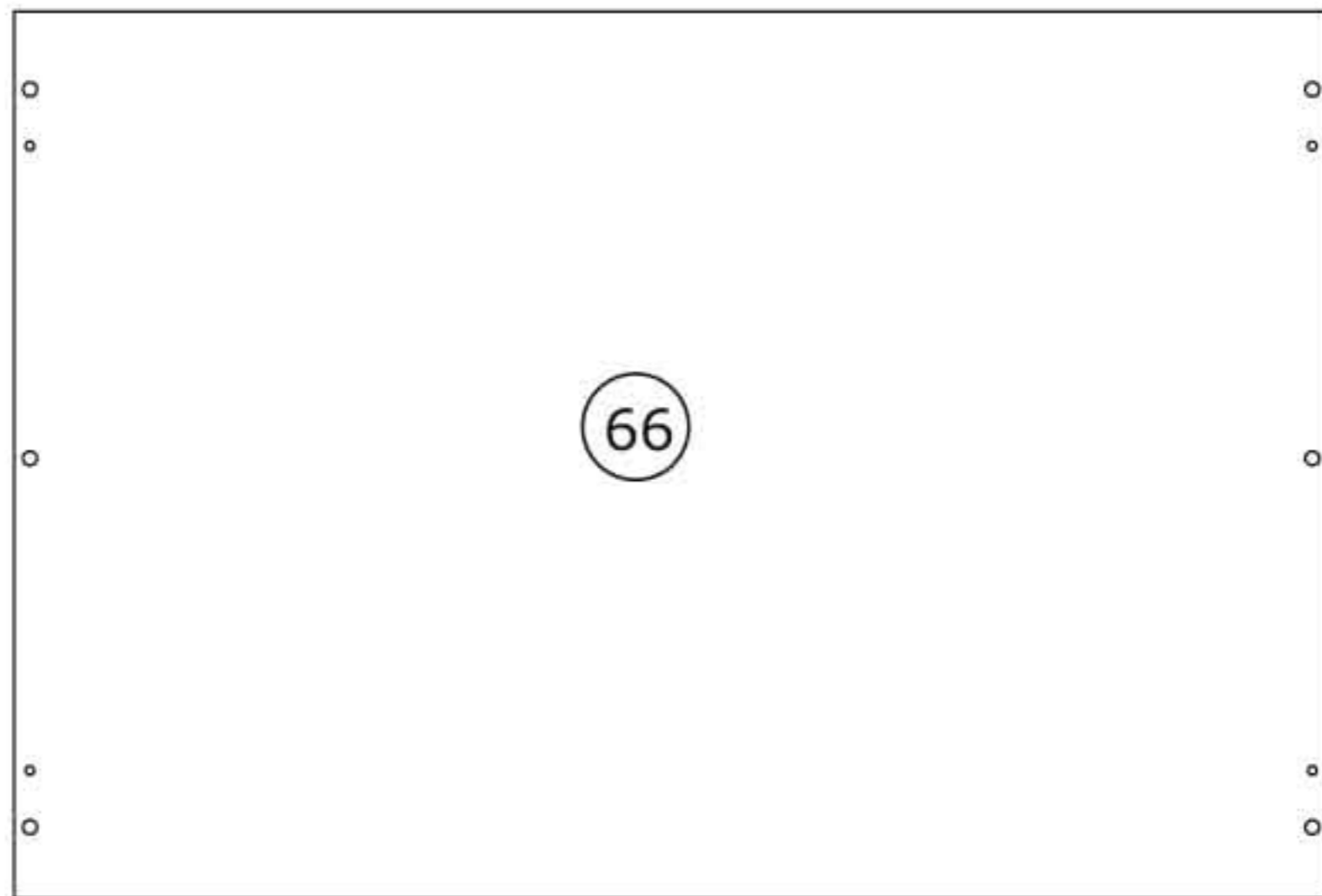
BOX 1/1:



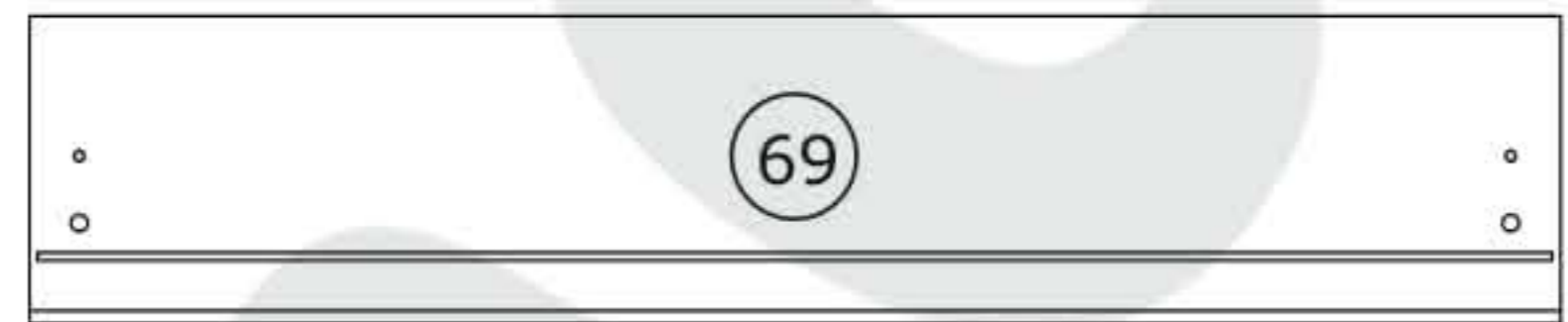
298x499x16 mm



298x499x16 mm



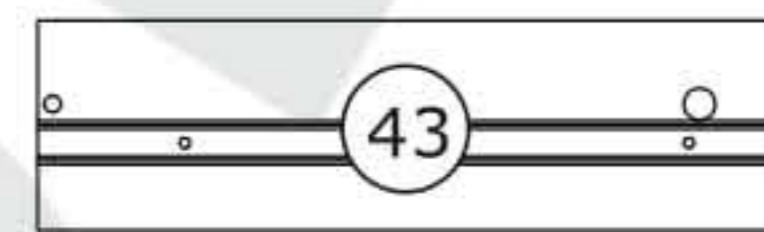
740x500x16 mm



733x147x16 mm

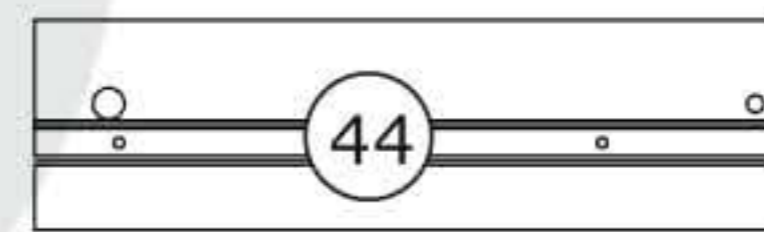


733x147x16 mm



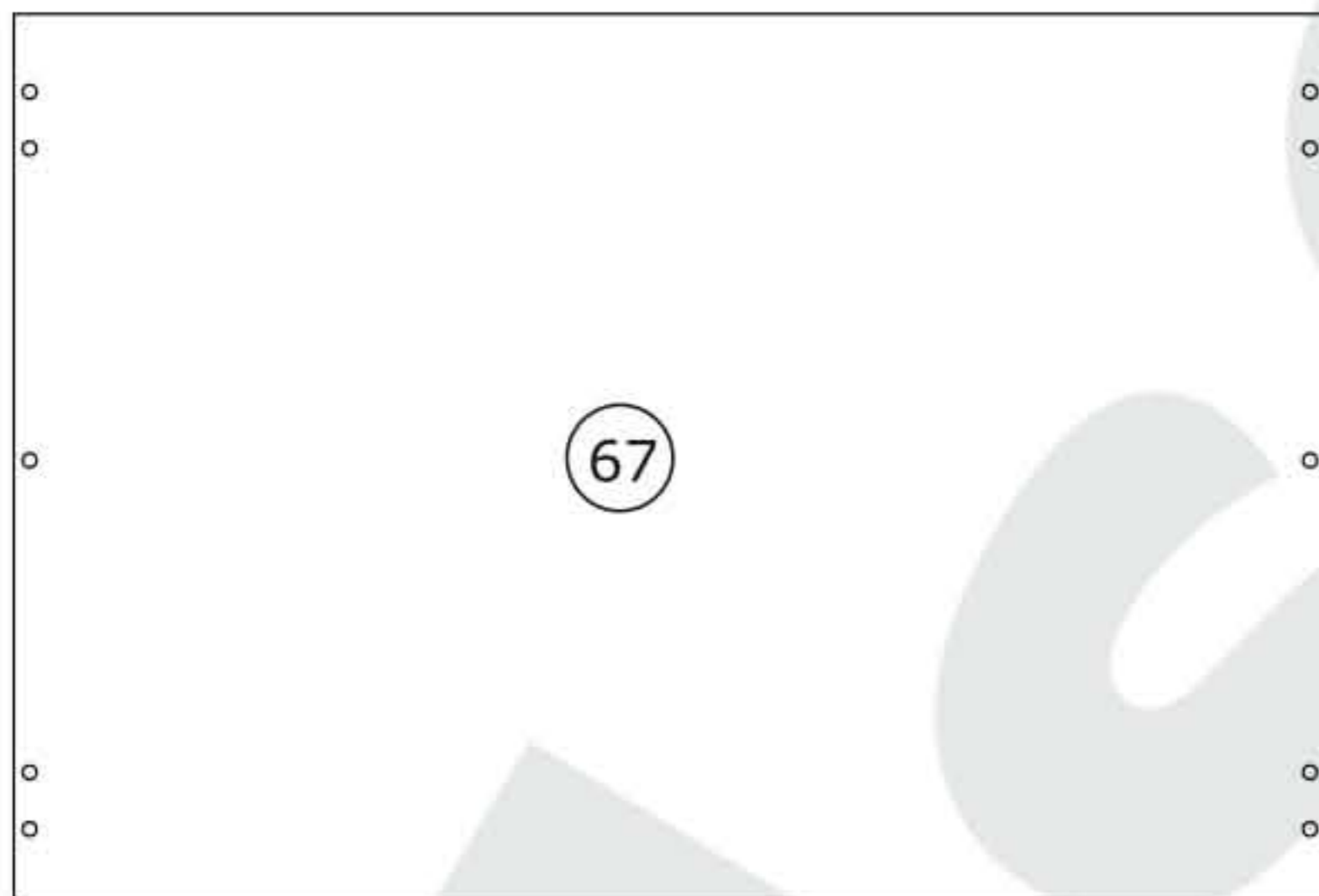
x2

350x100x12 mm



x2

350x100x12 mm



740x500x16 mm

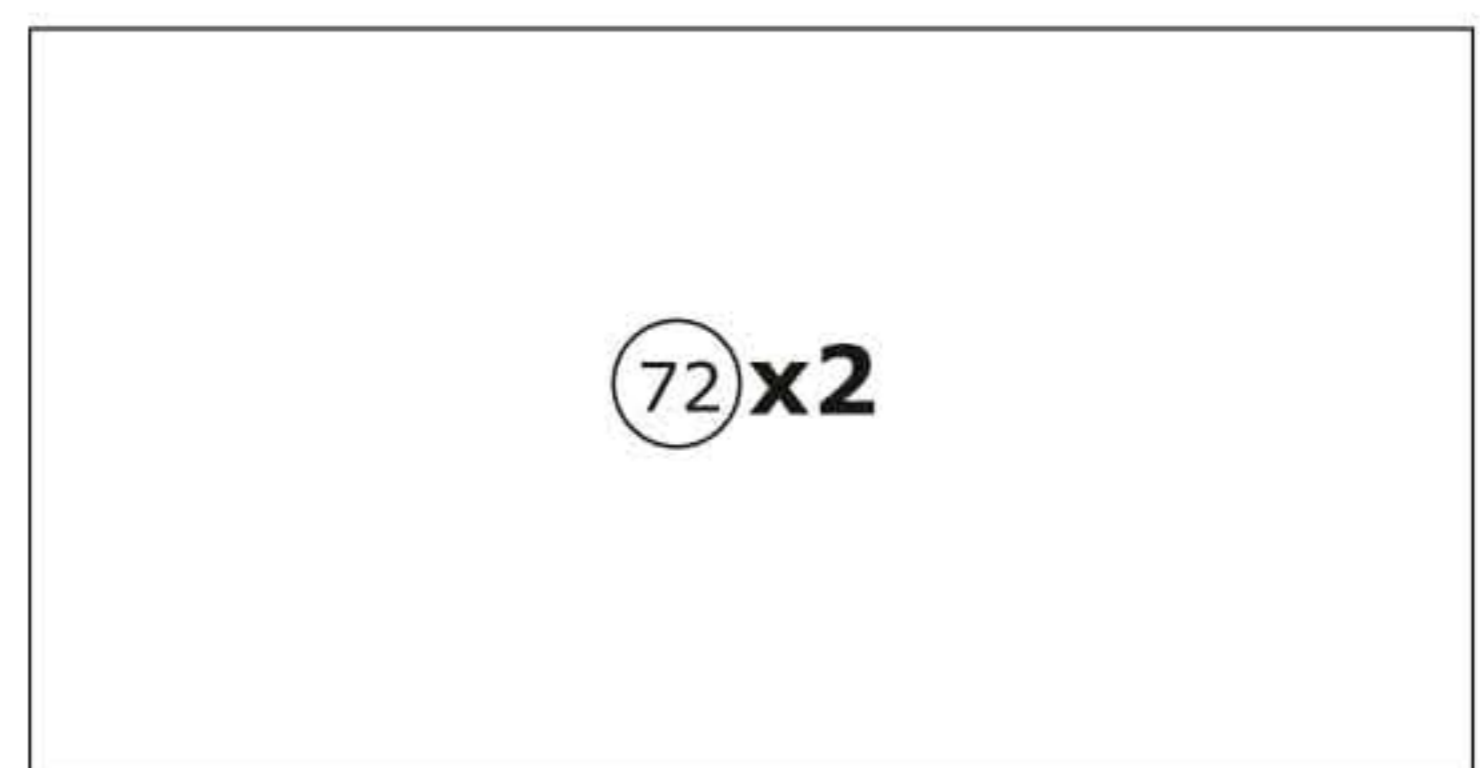


x2

673x85x12 mm

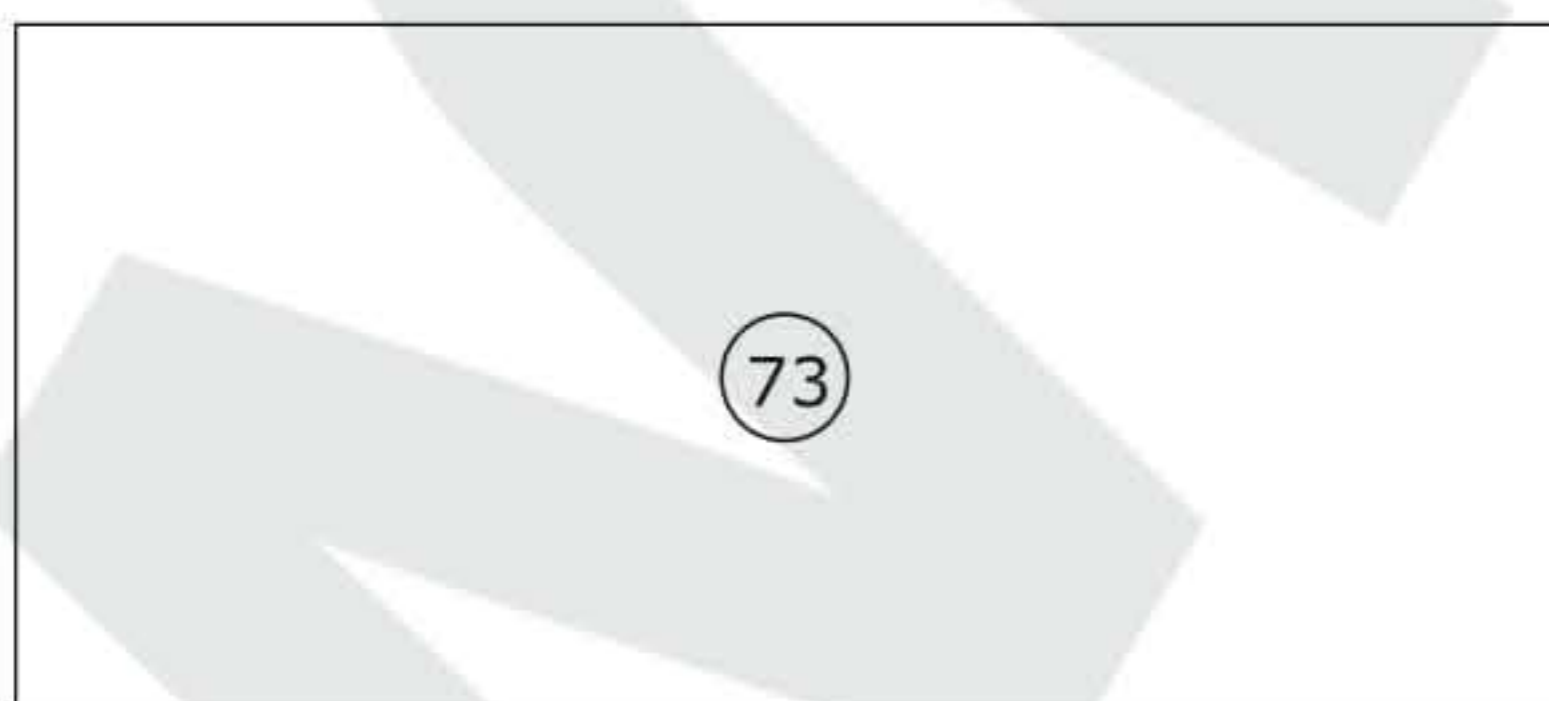


706x50x16 mm

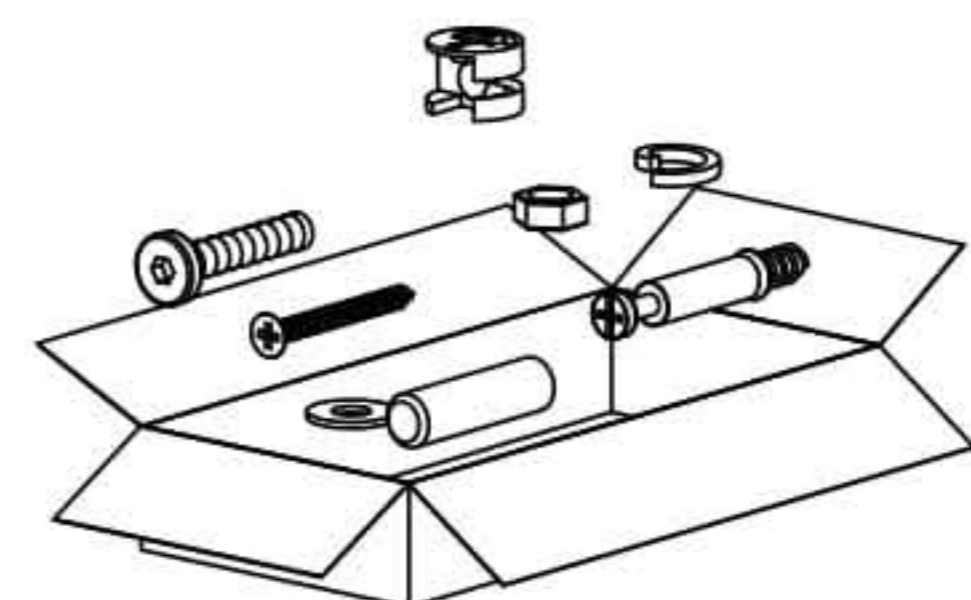


x2

683x357x3 mm

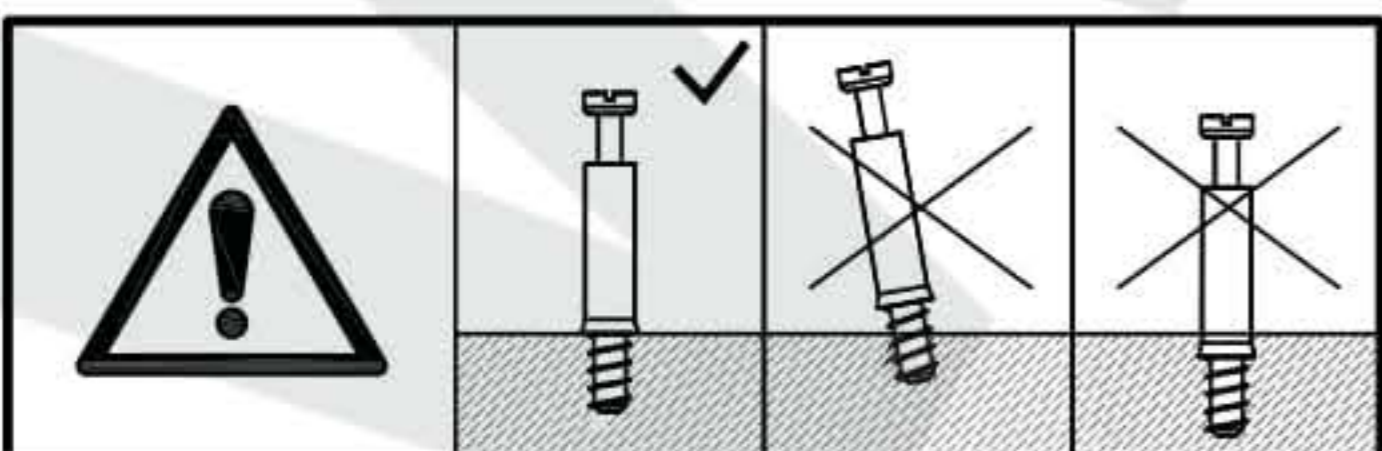
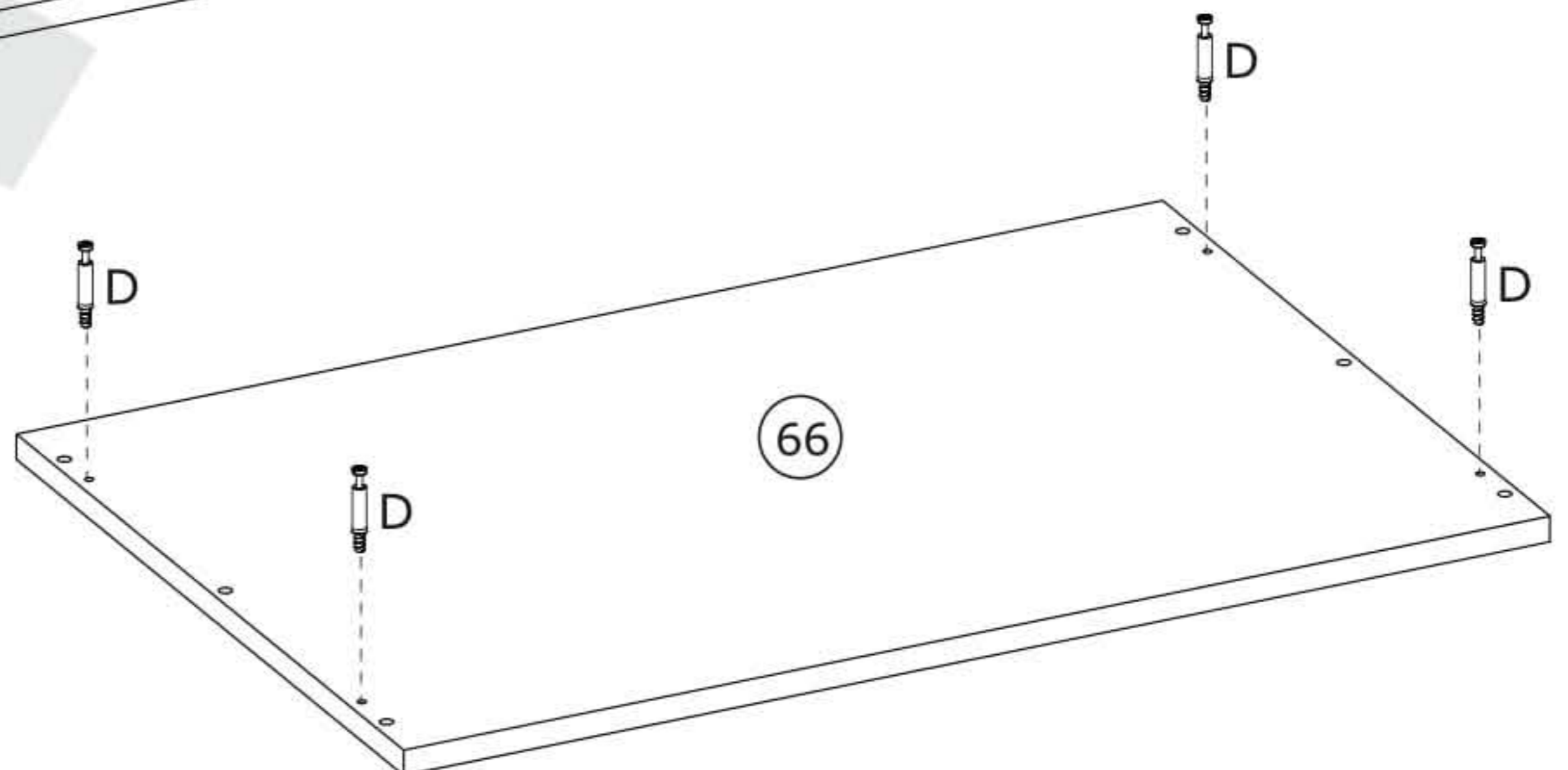
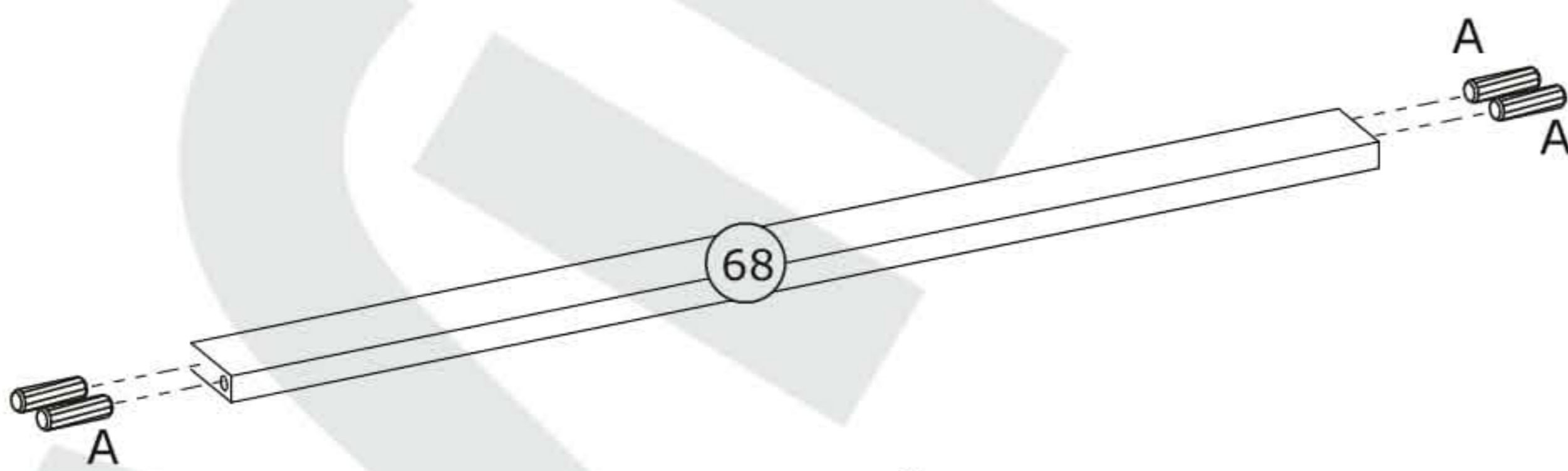
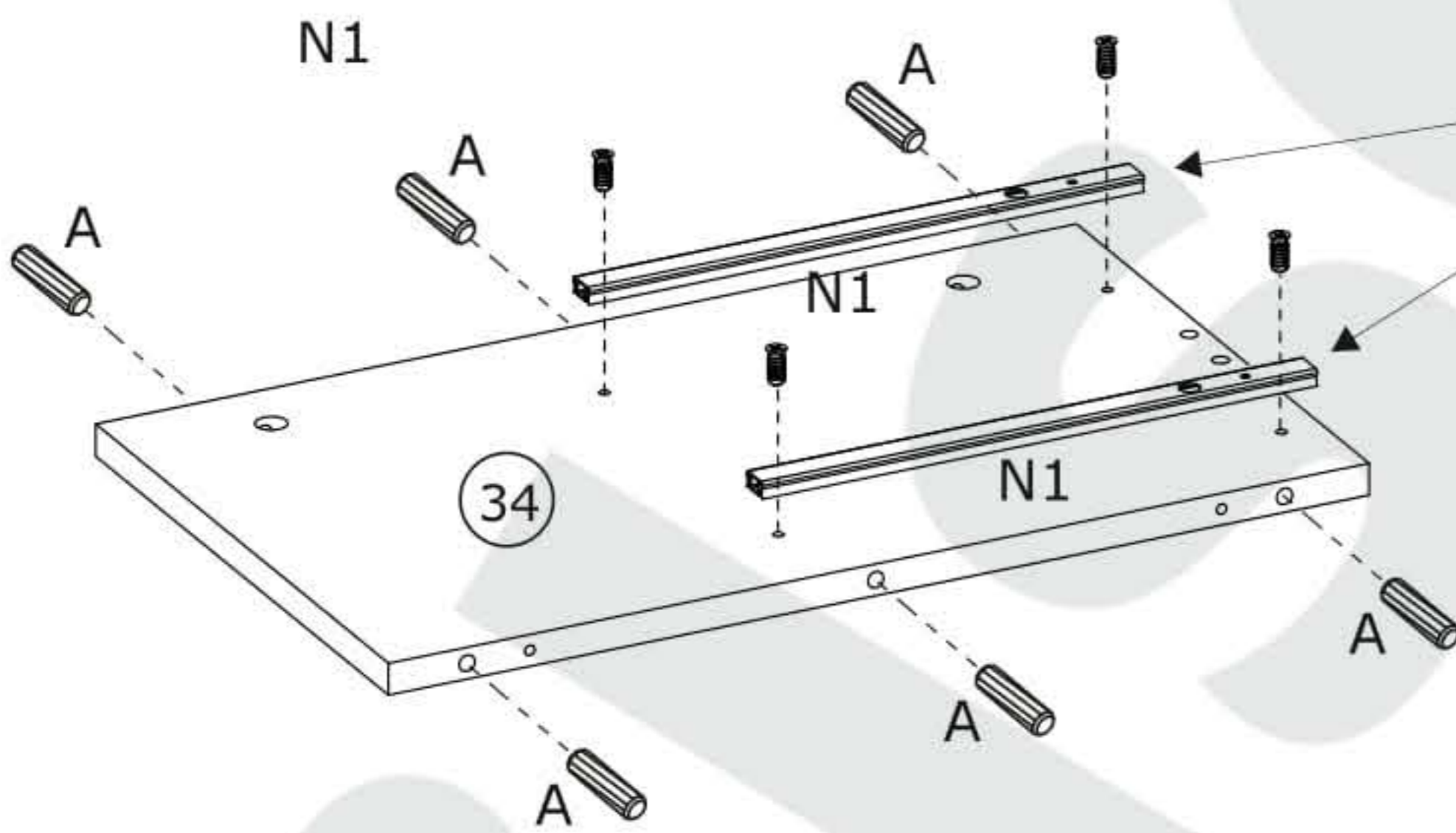
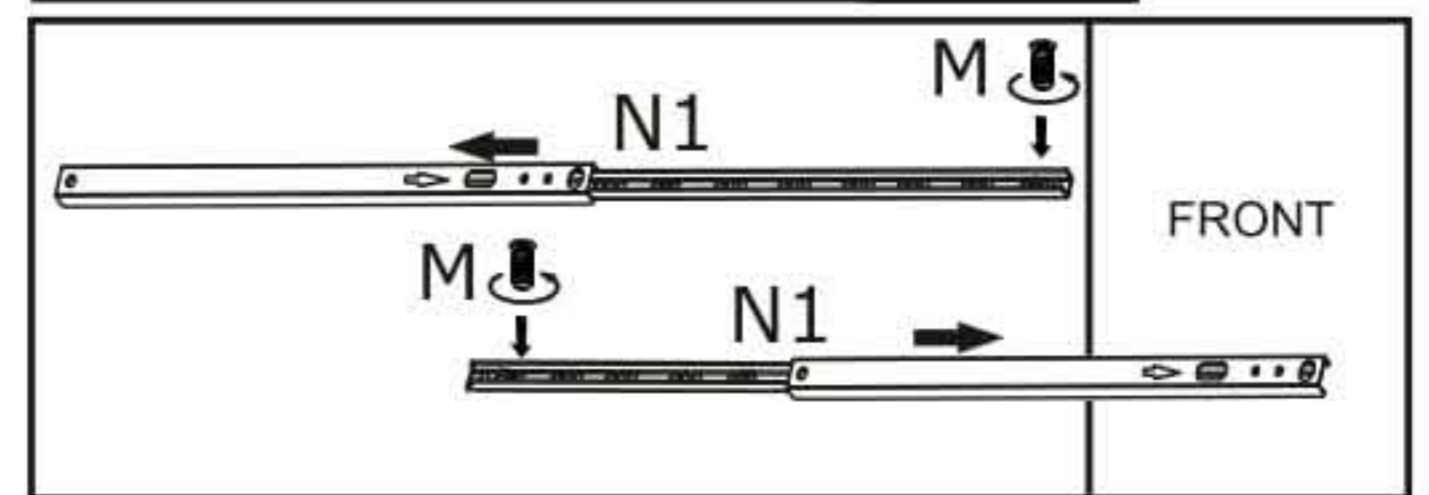
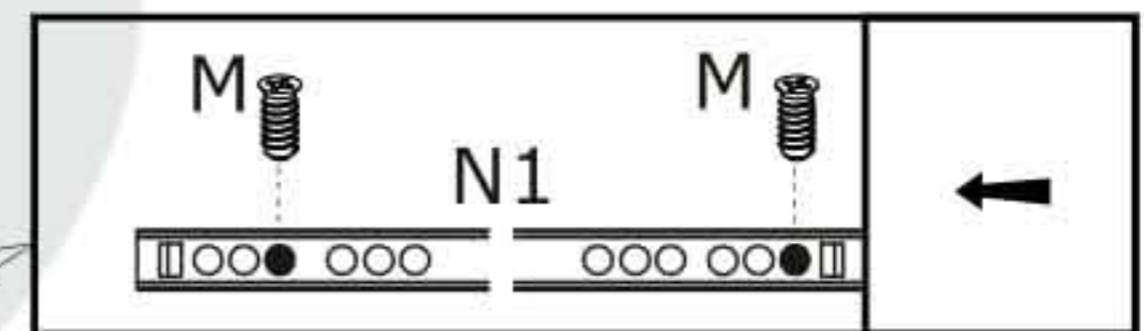
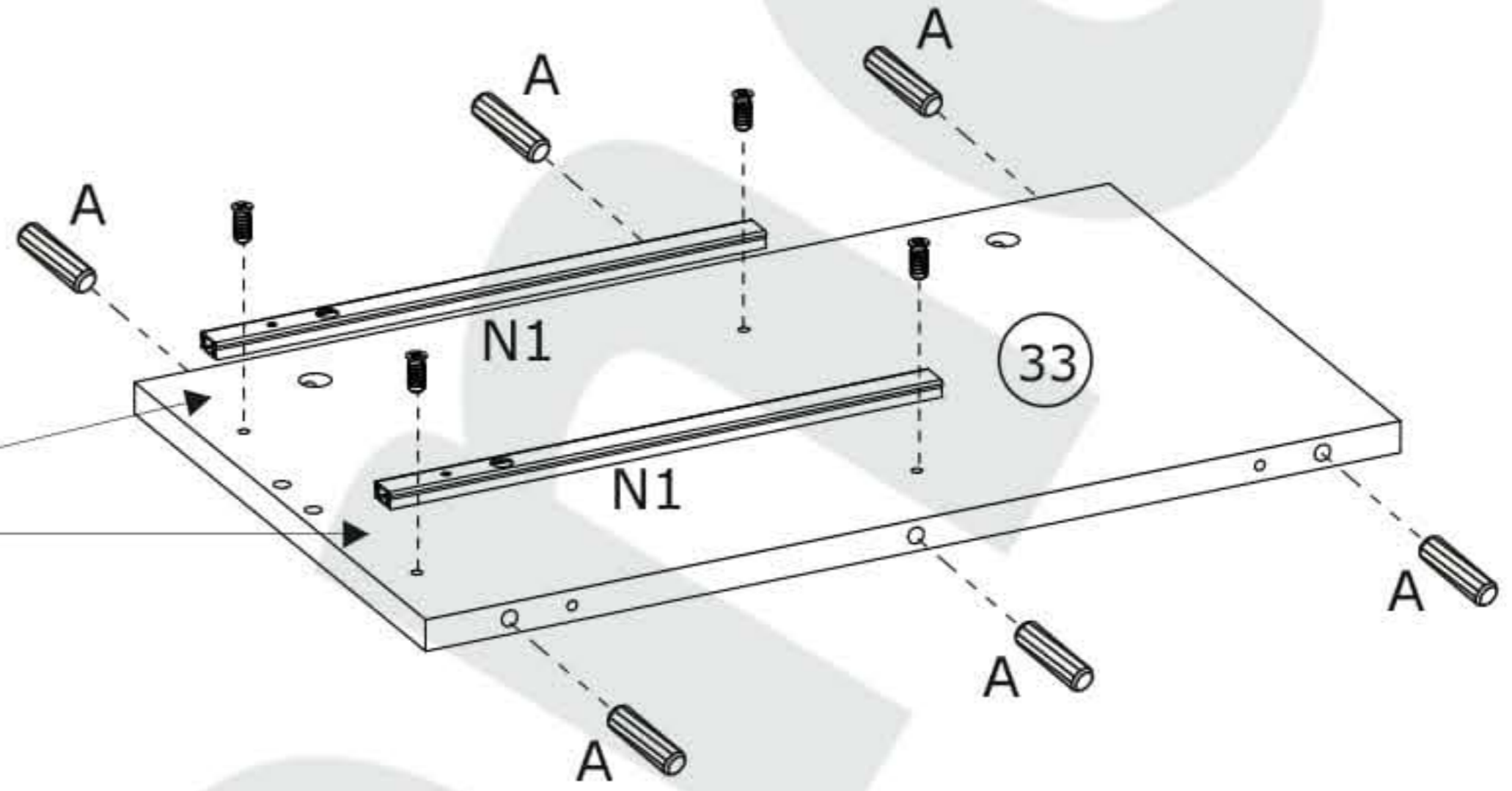
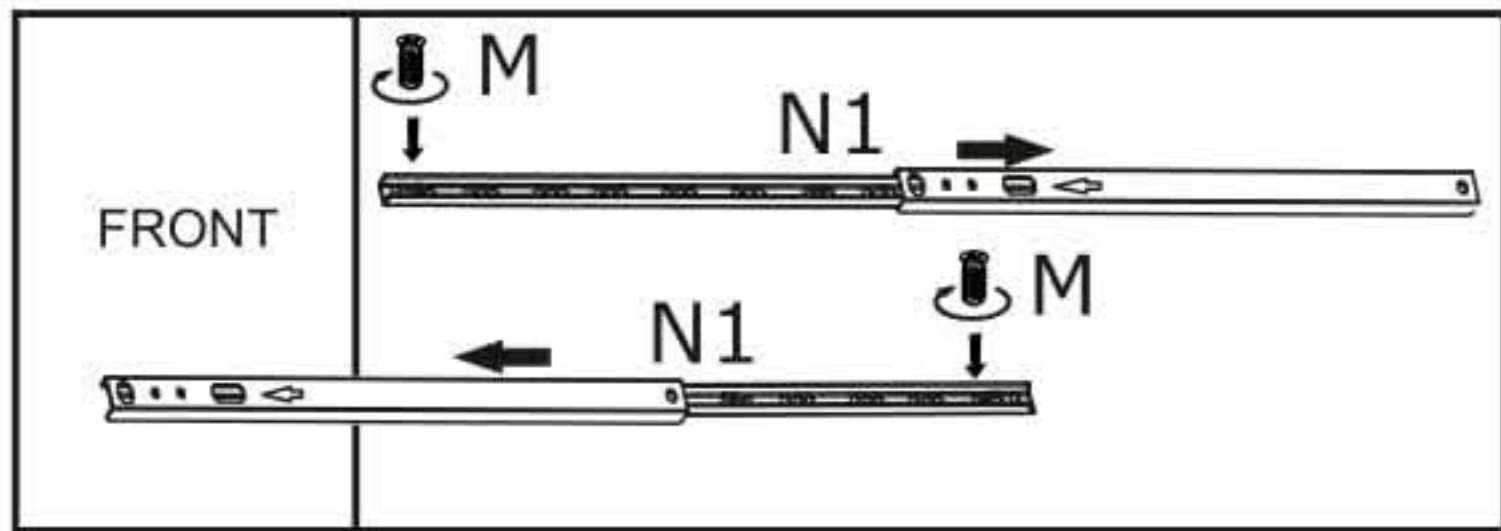
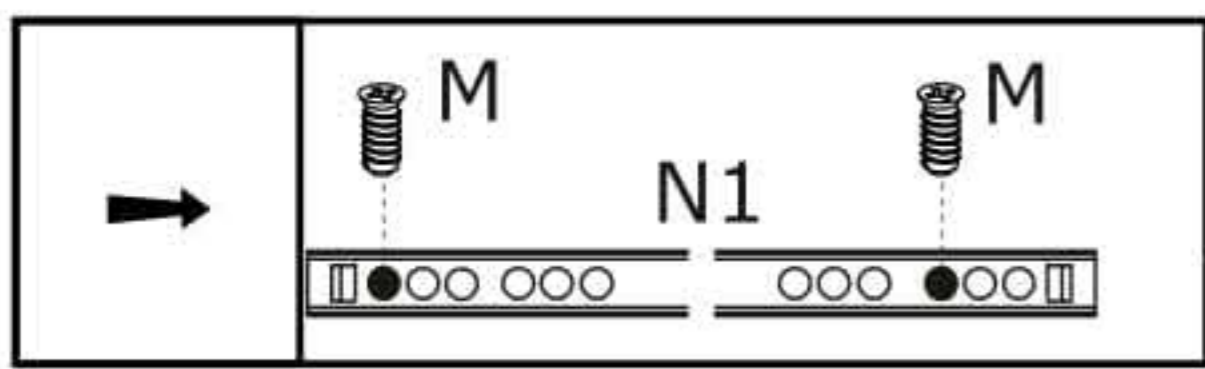
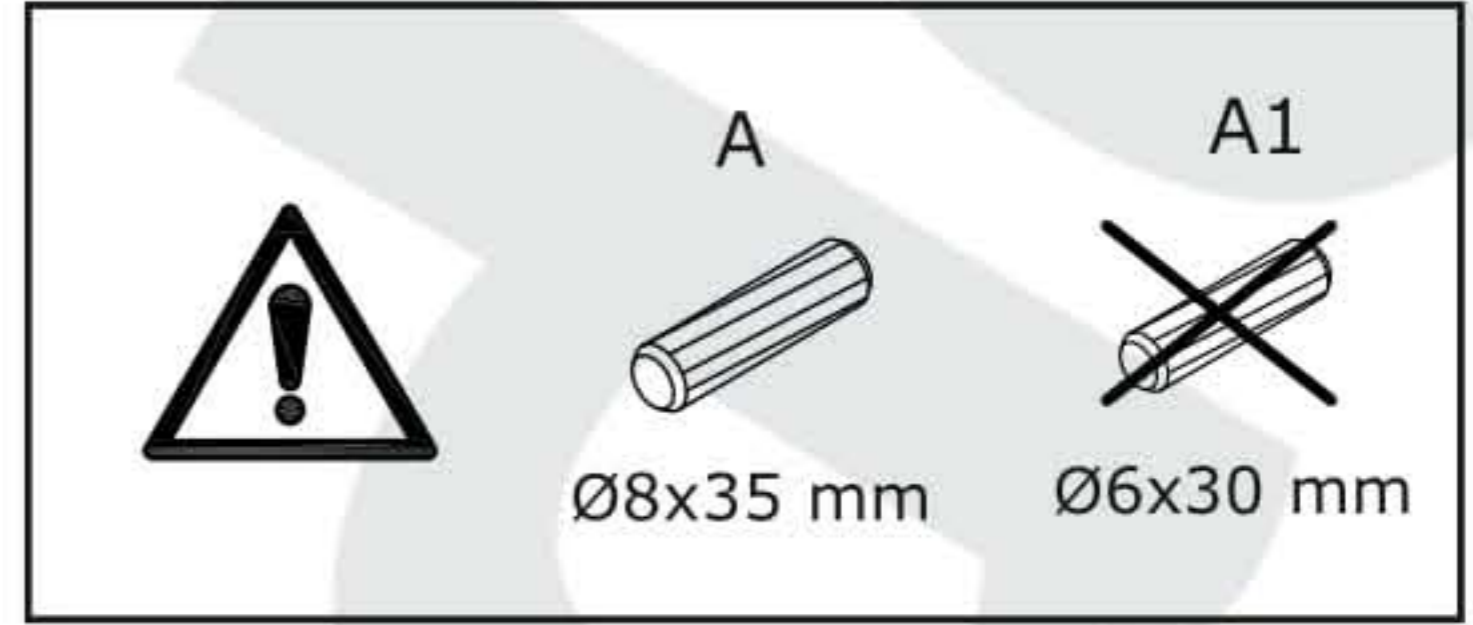
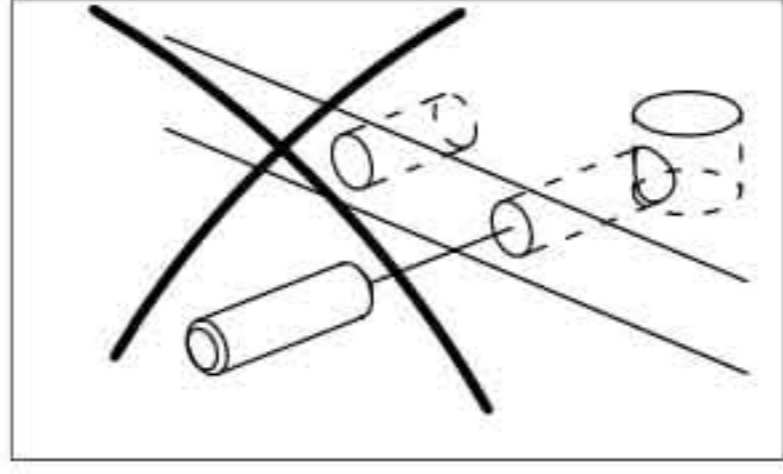
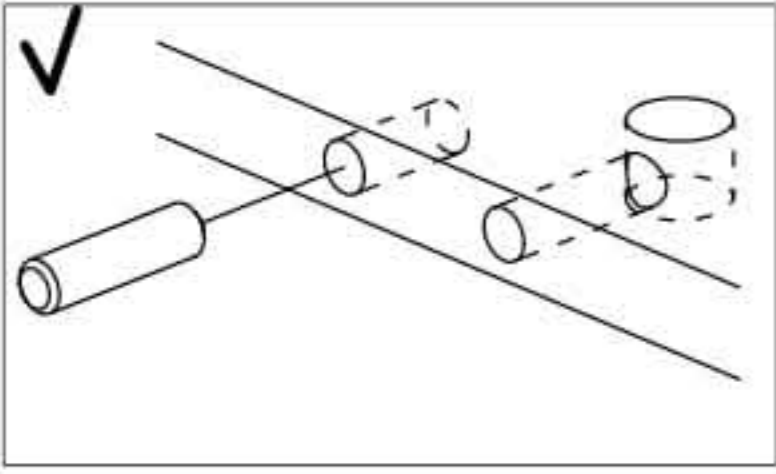


732x326x3 mm

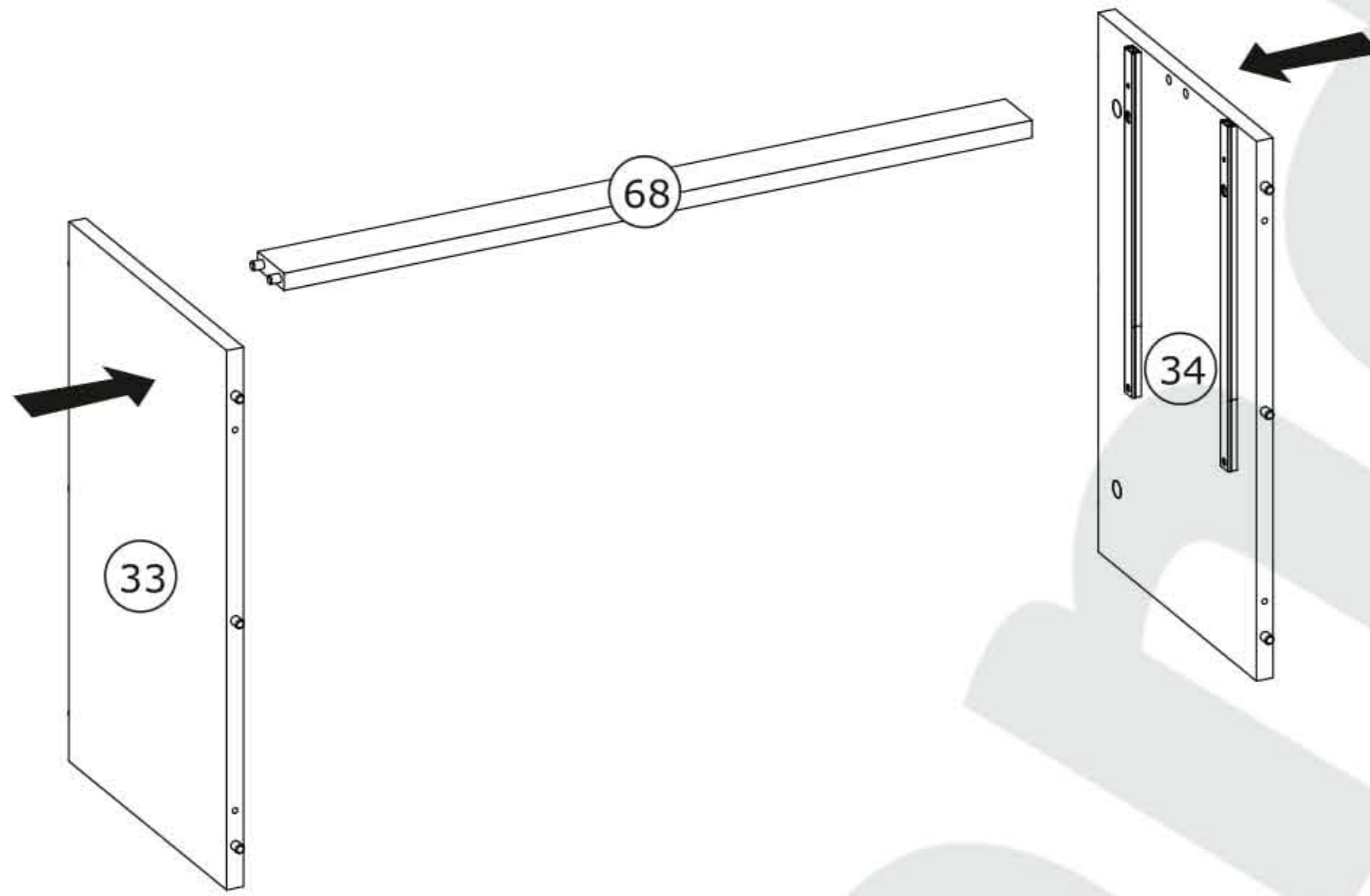


1

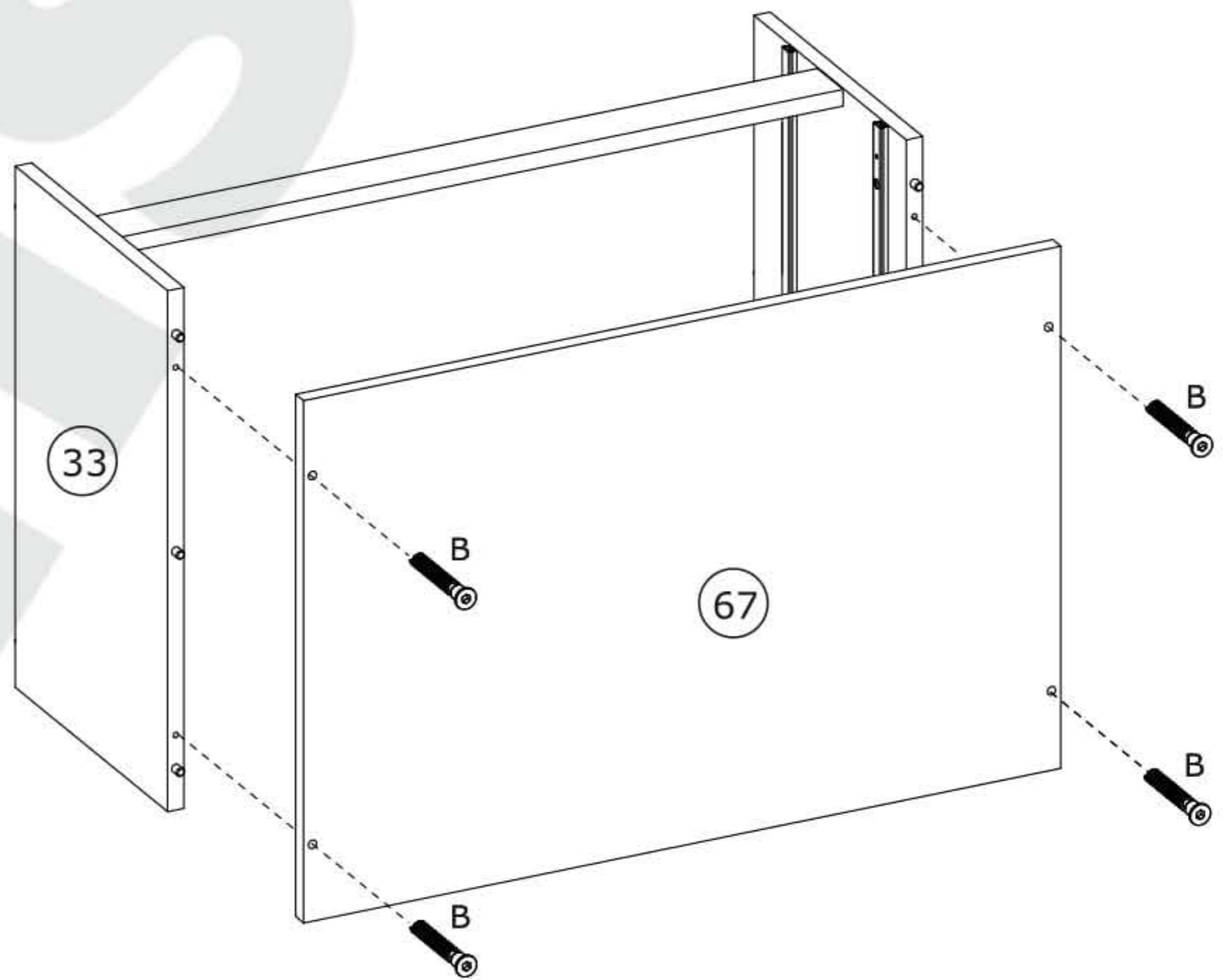
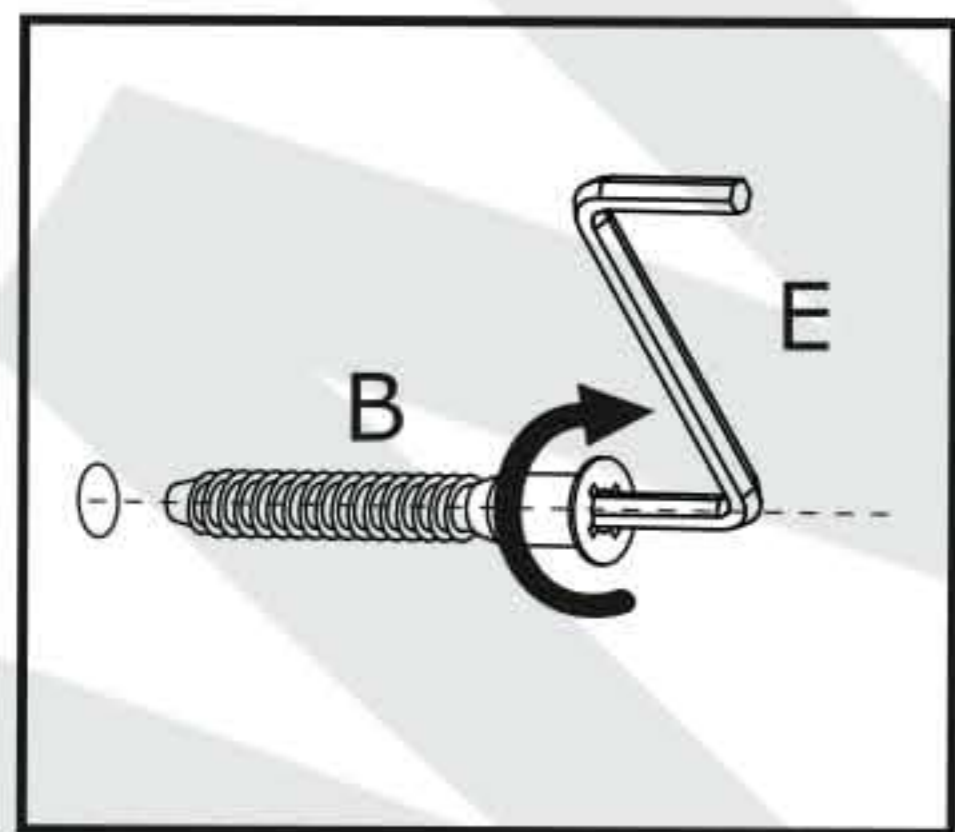
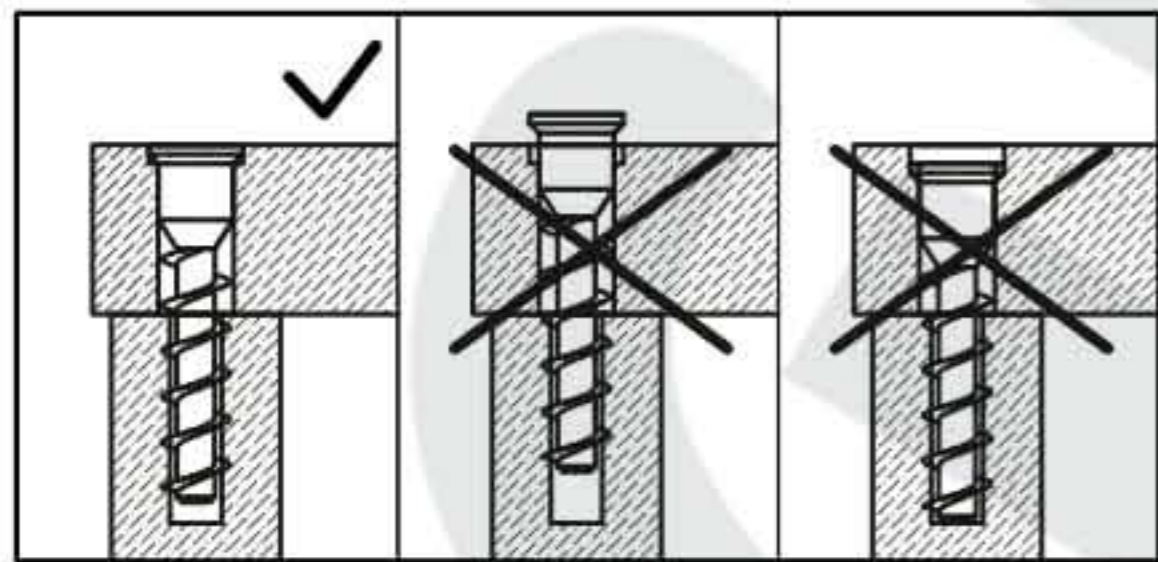
A x 16 Ø8x35 mm	D x 4 Ø5x44 mm	M x 8 Ø6,3x13 mm	N1 x 4 310 mm	 Ø6x30 mm
------------------------	-----------------------	-------------------------	----------------------	--------------



2



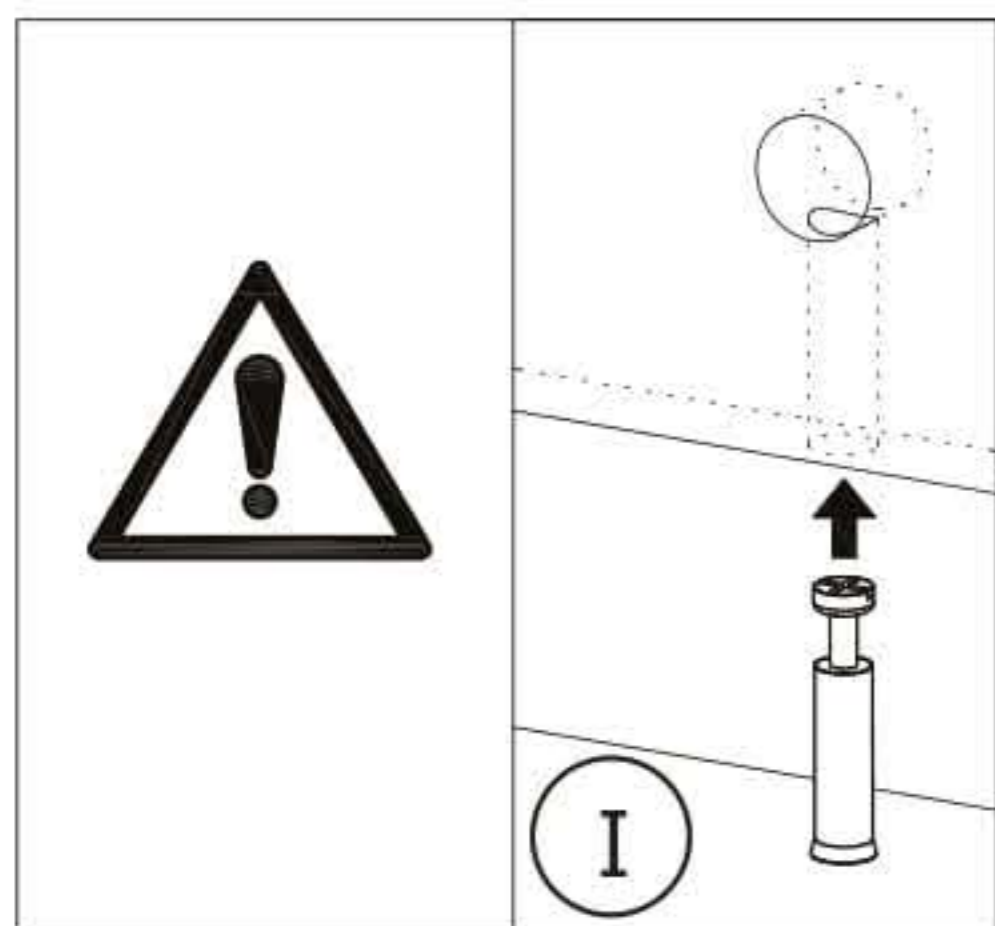
3



4

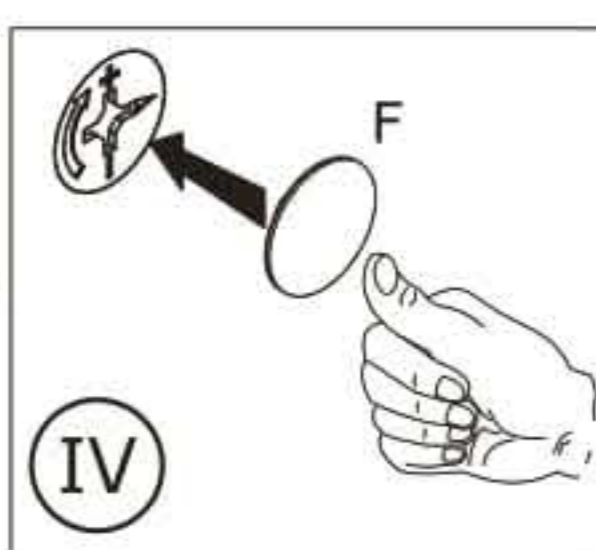
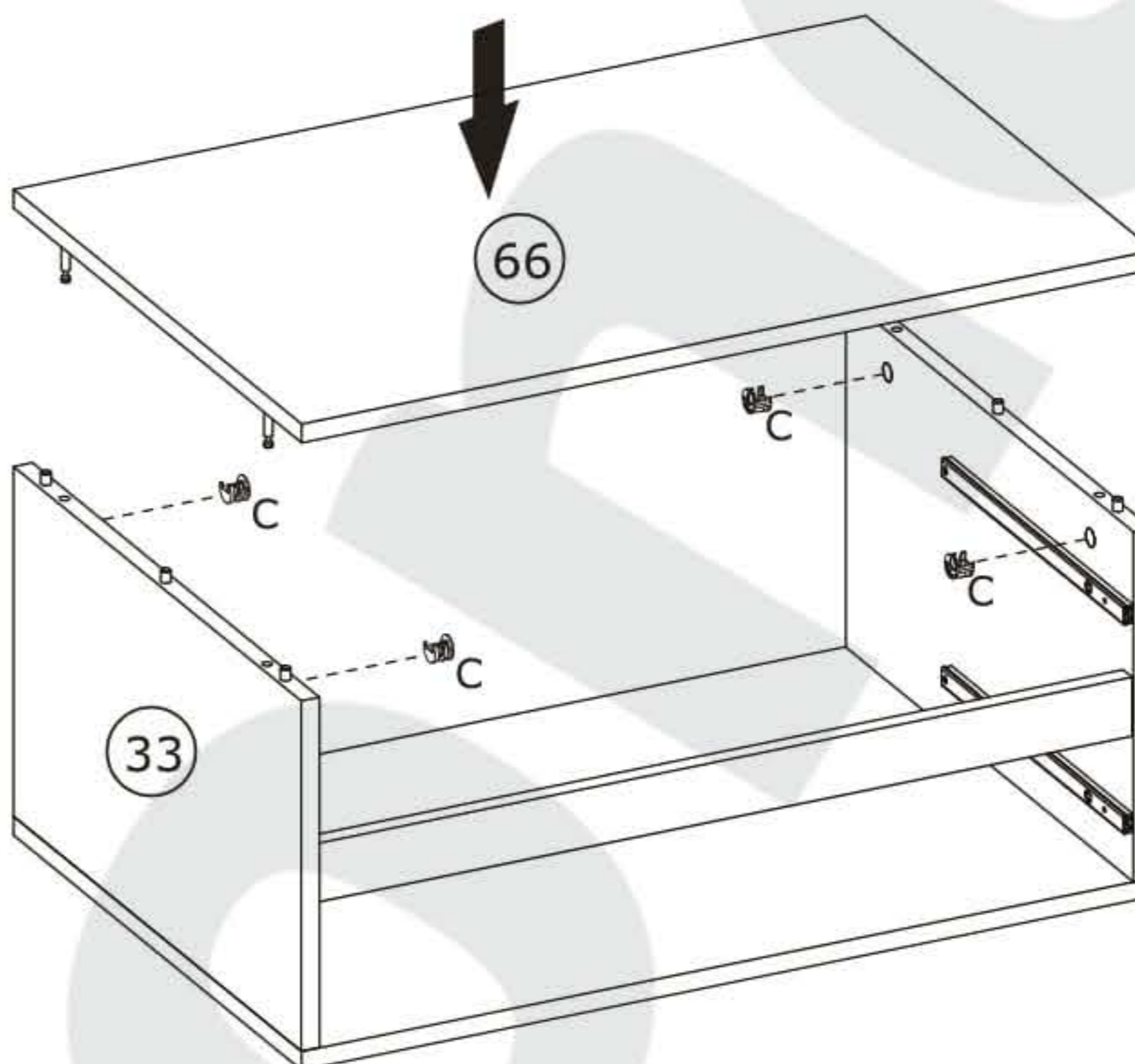
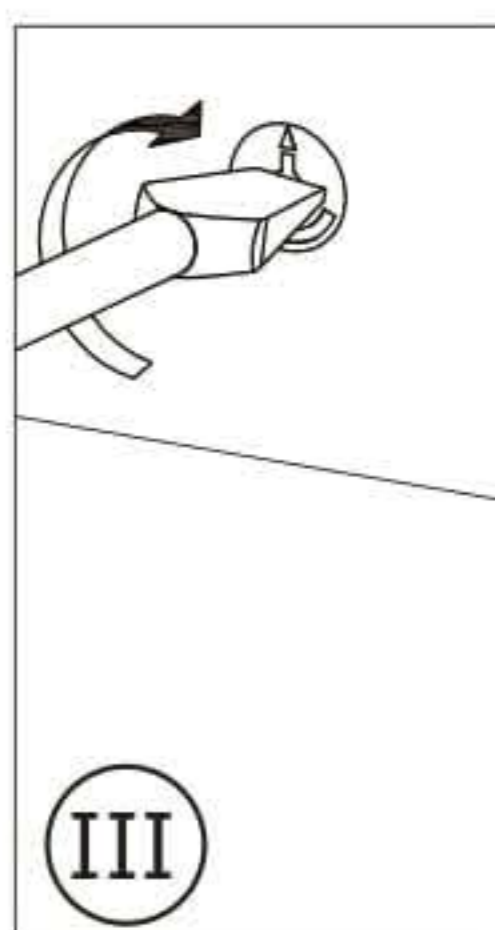
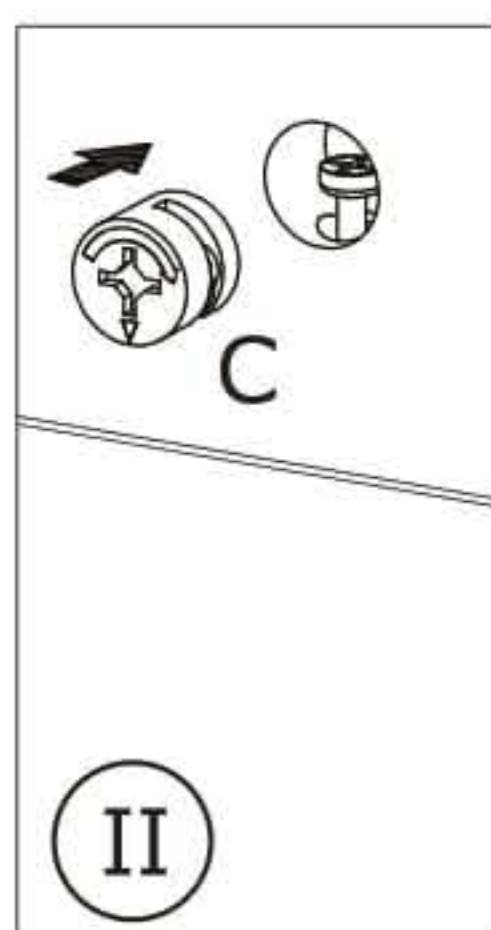
C x 4
Ø15x12 mm

F x 4
20 mm



C
Ø15x12 mm

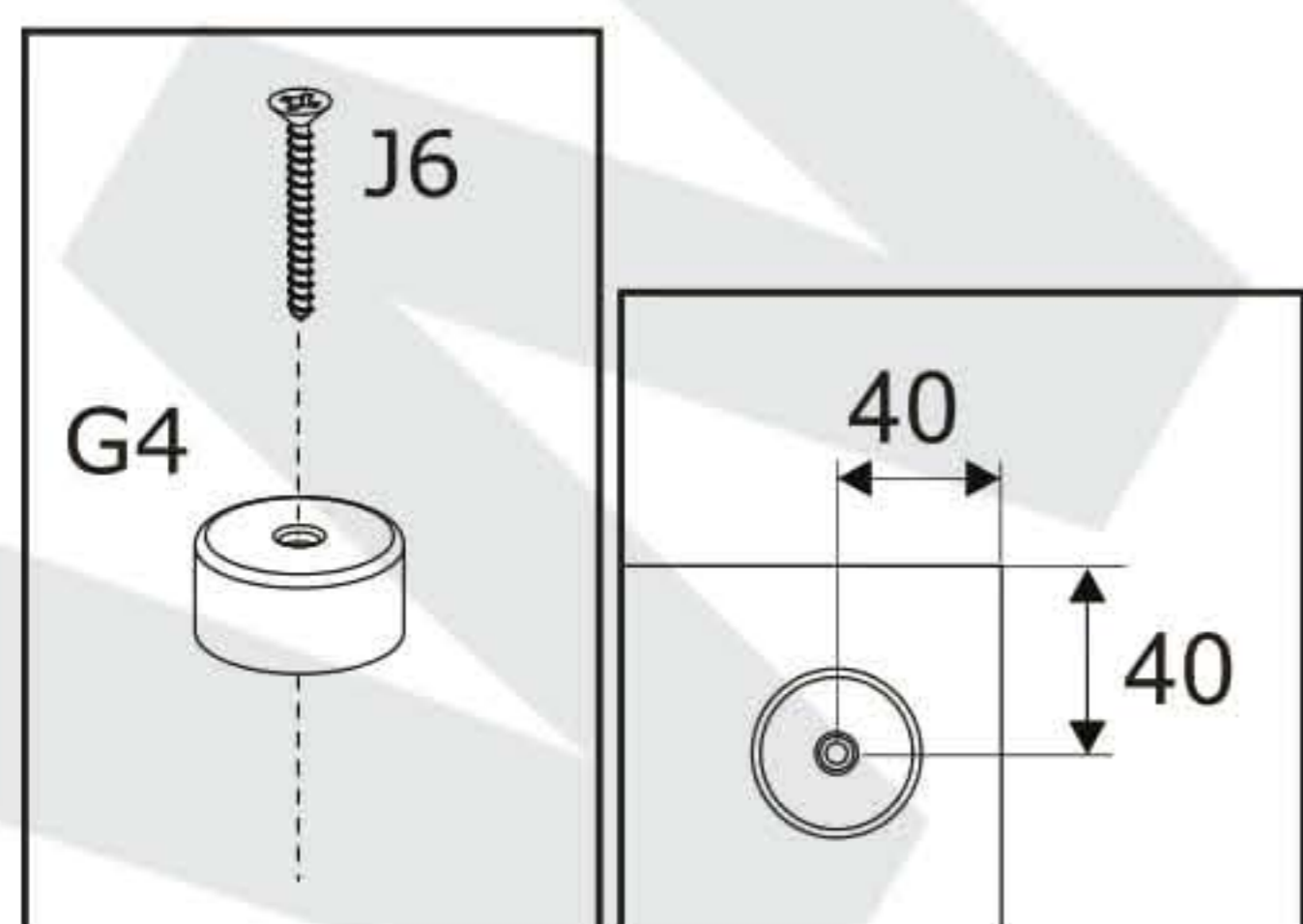
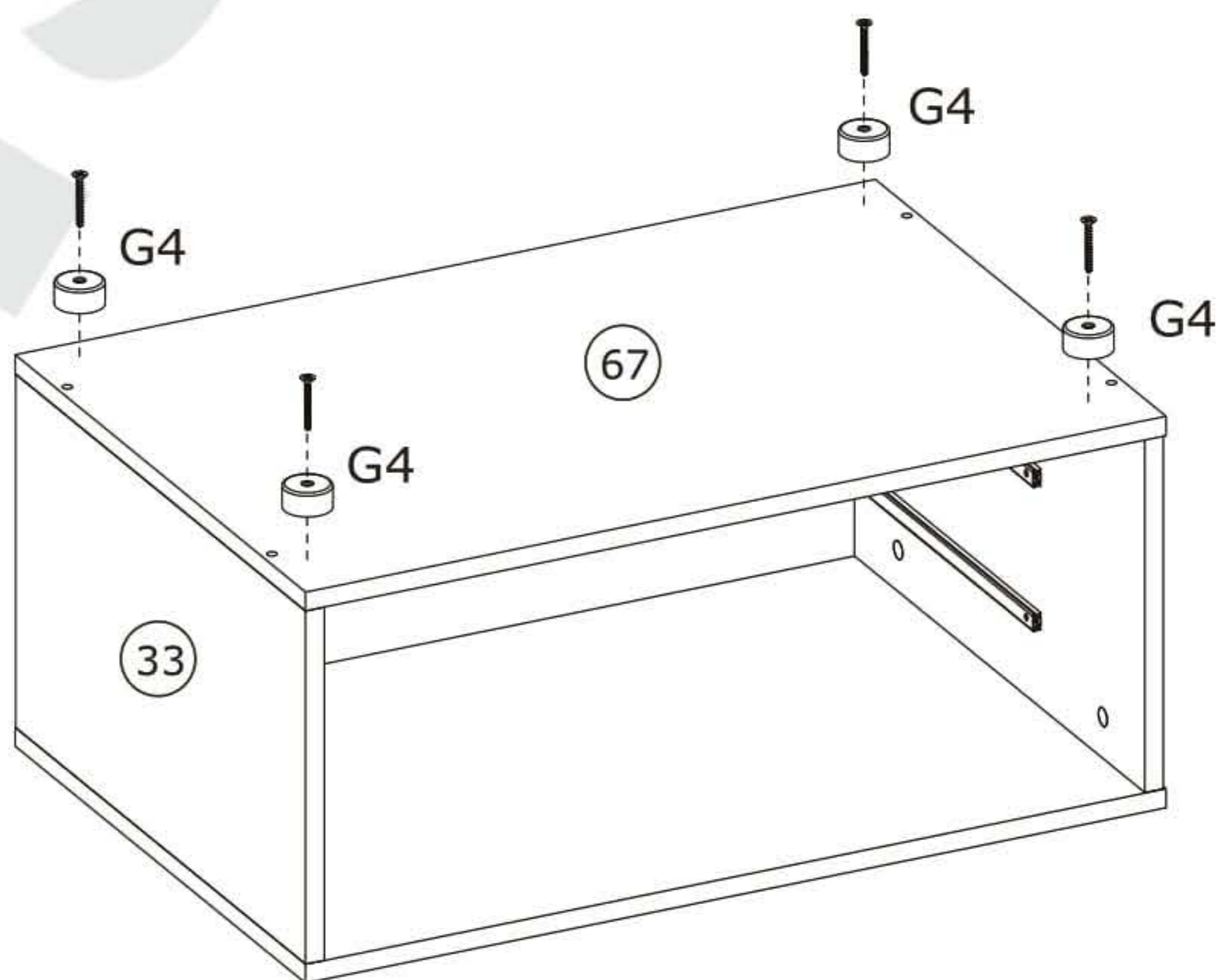
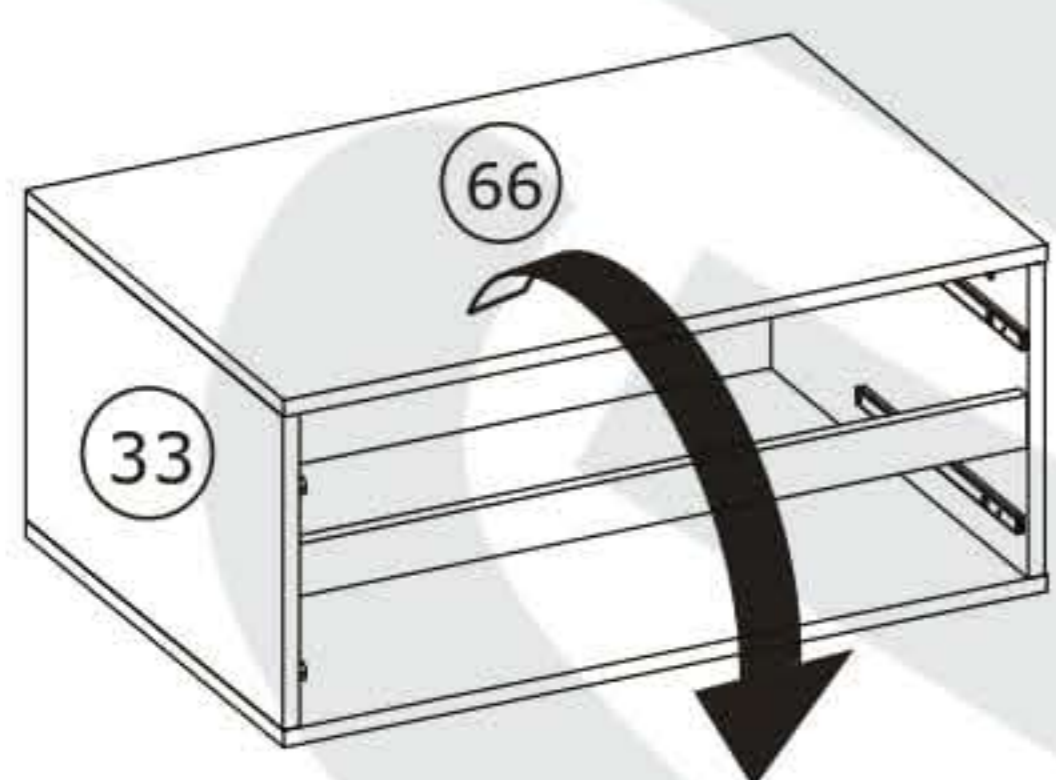
C1
Ø15x10 mm



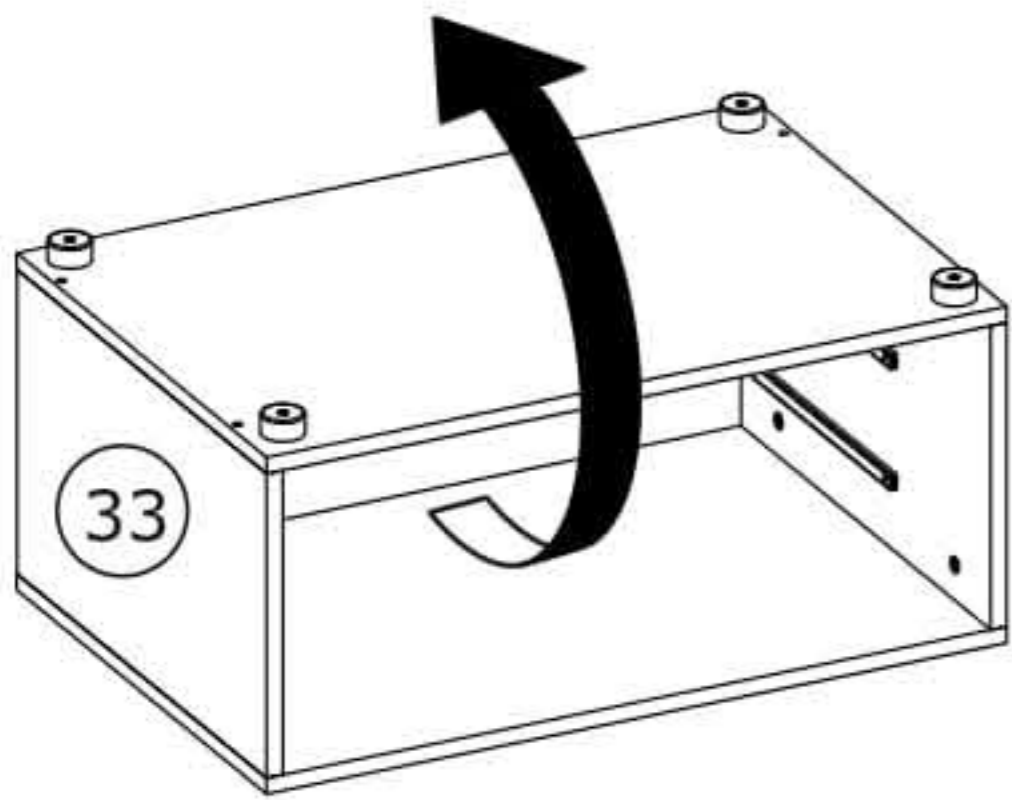
5


G4 x 4

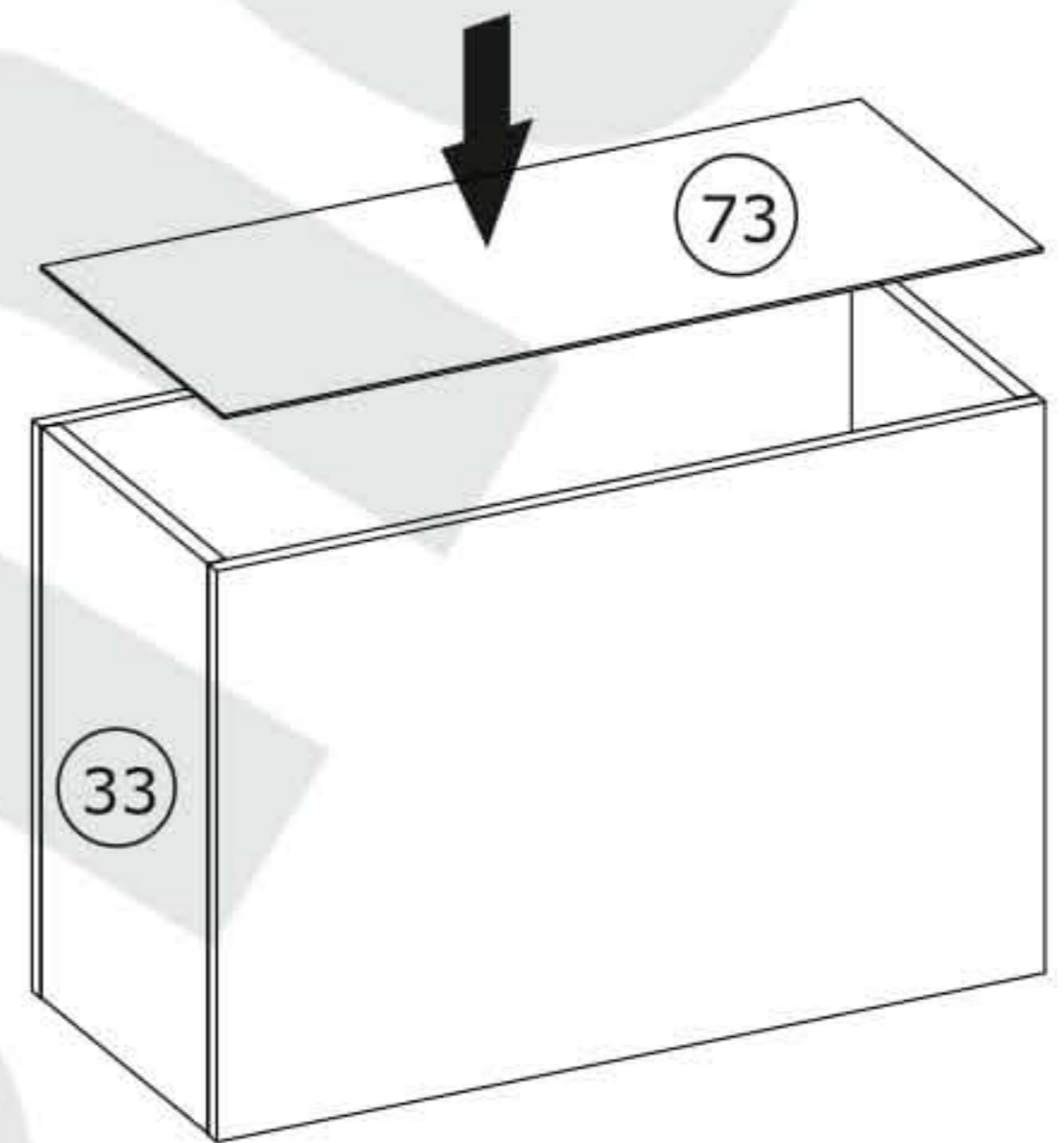
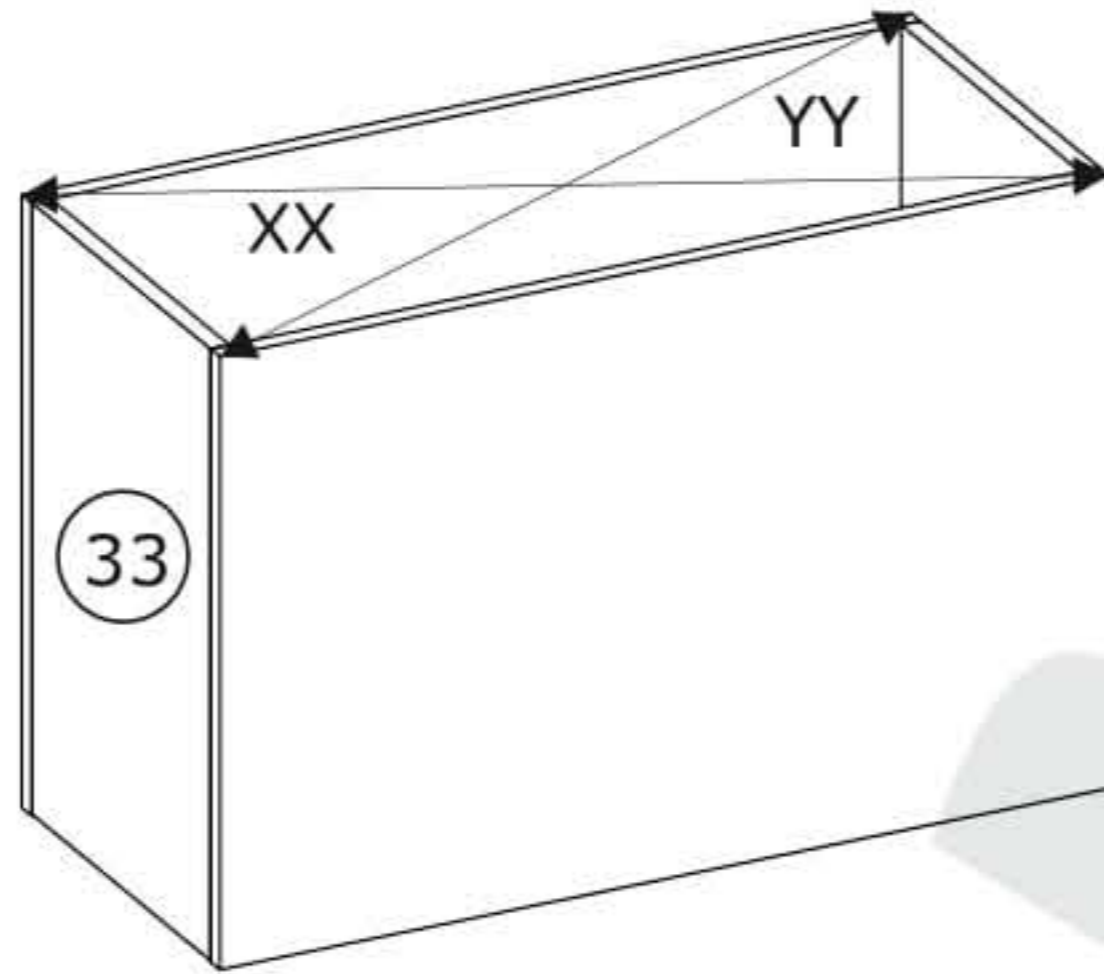
J6 x 4
4x30 mm



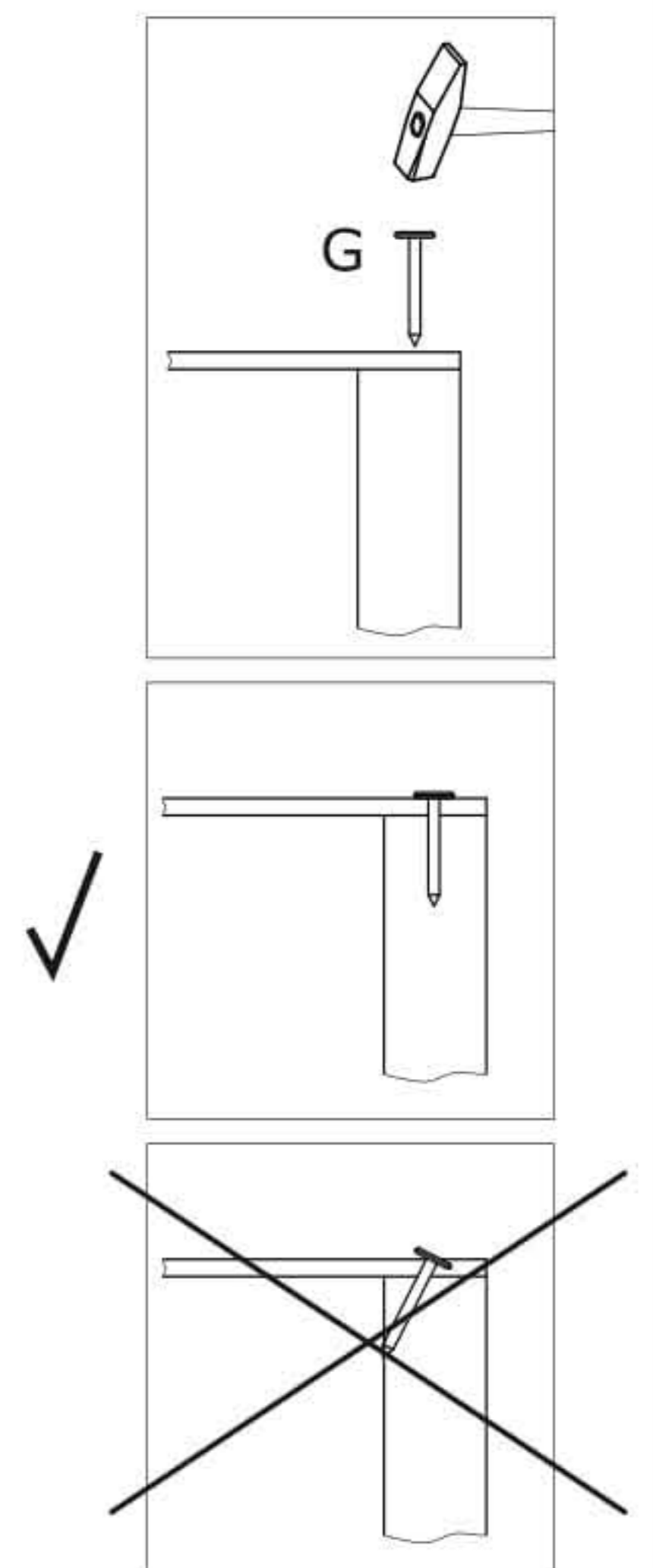
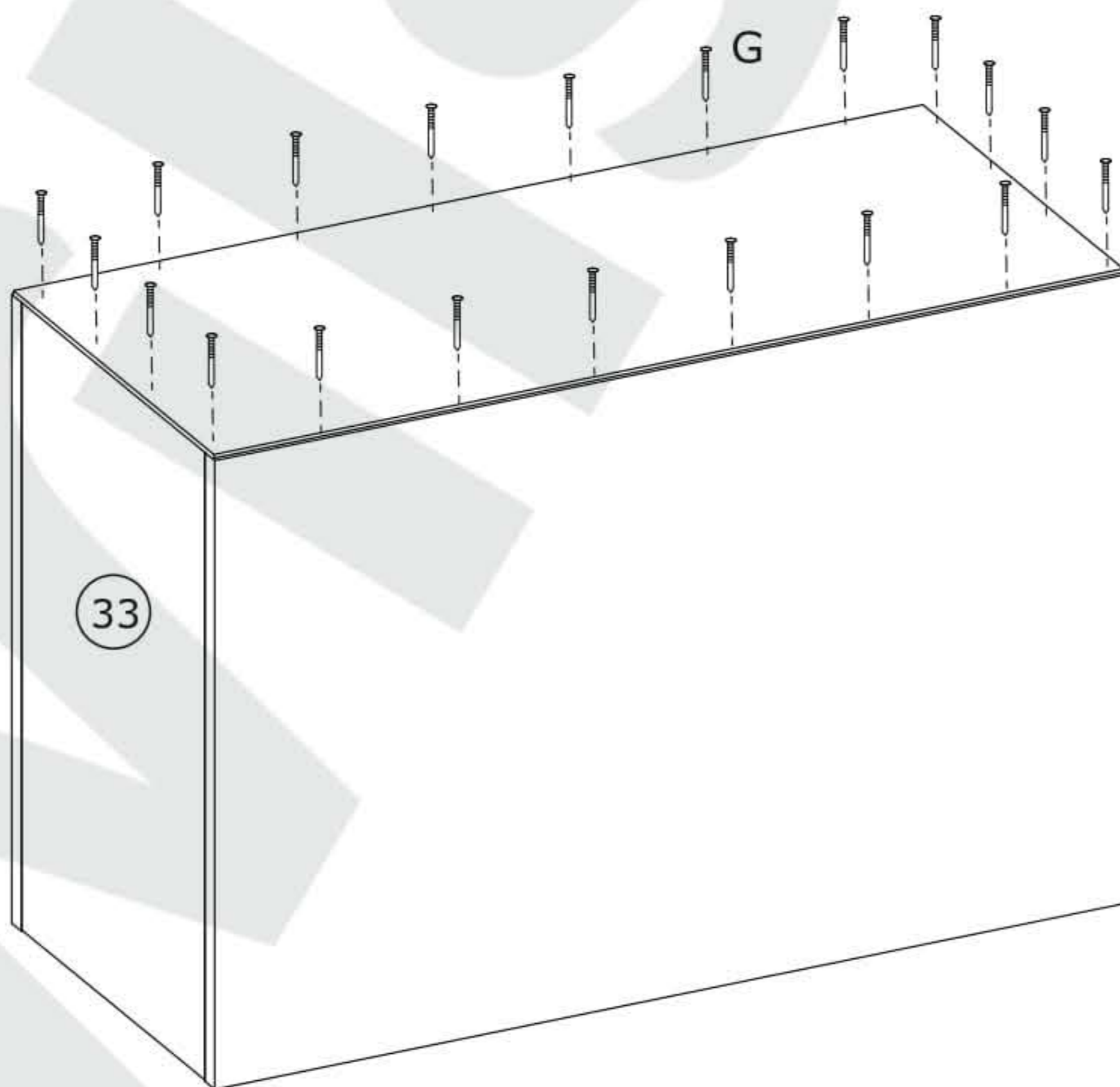
6



 $XX = YY = 90^\circ$



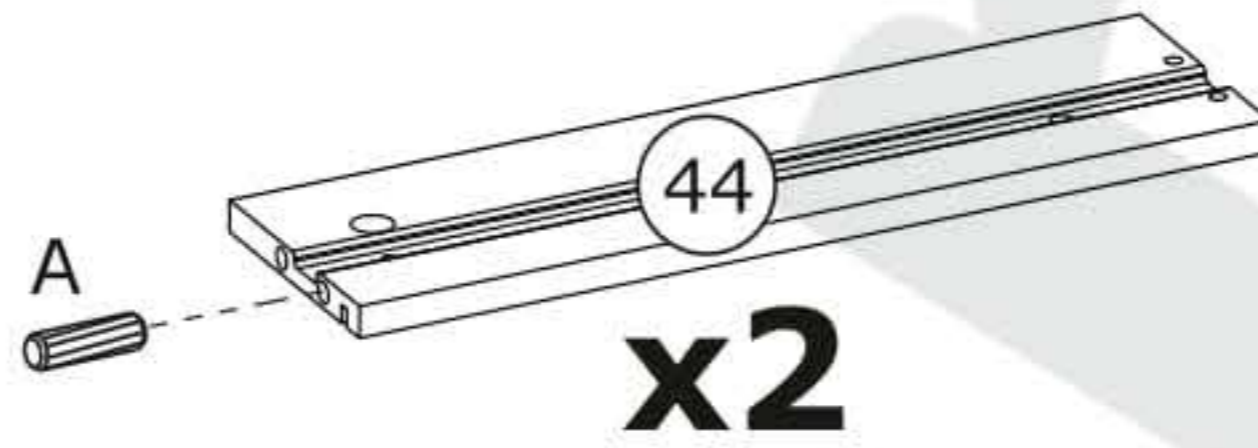
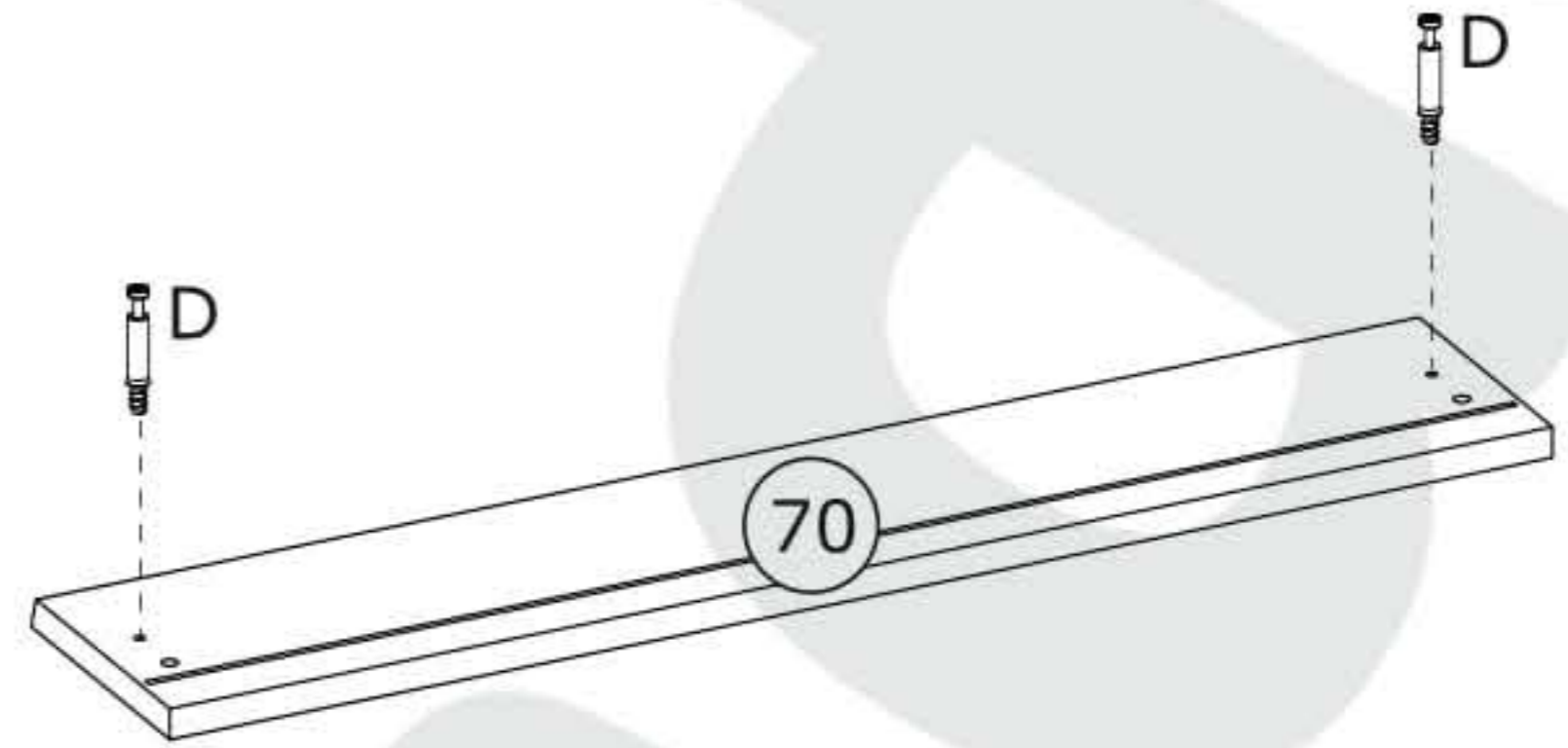
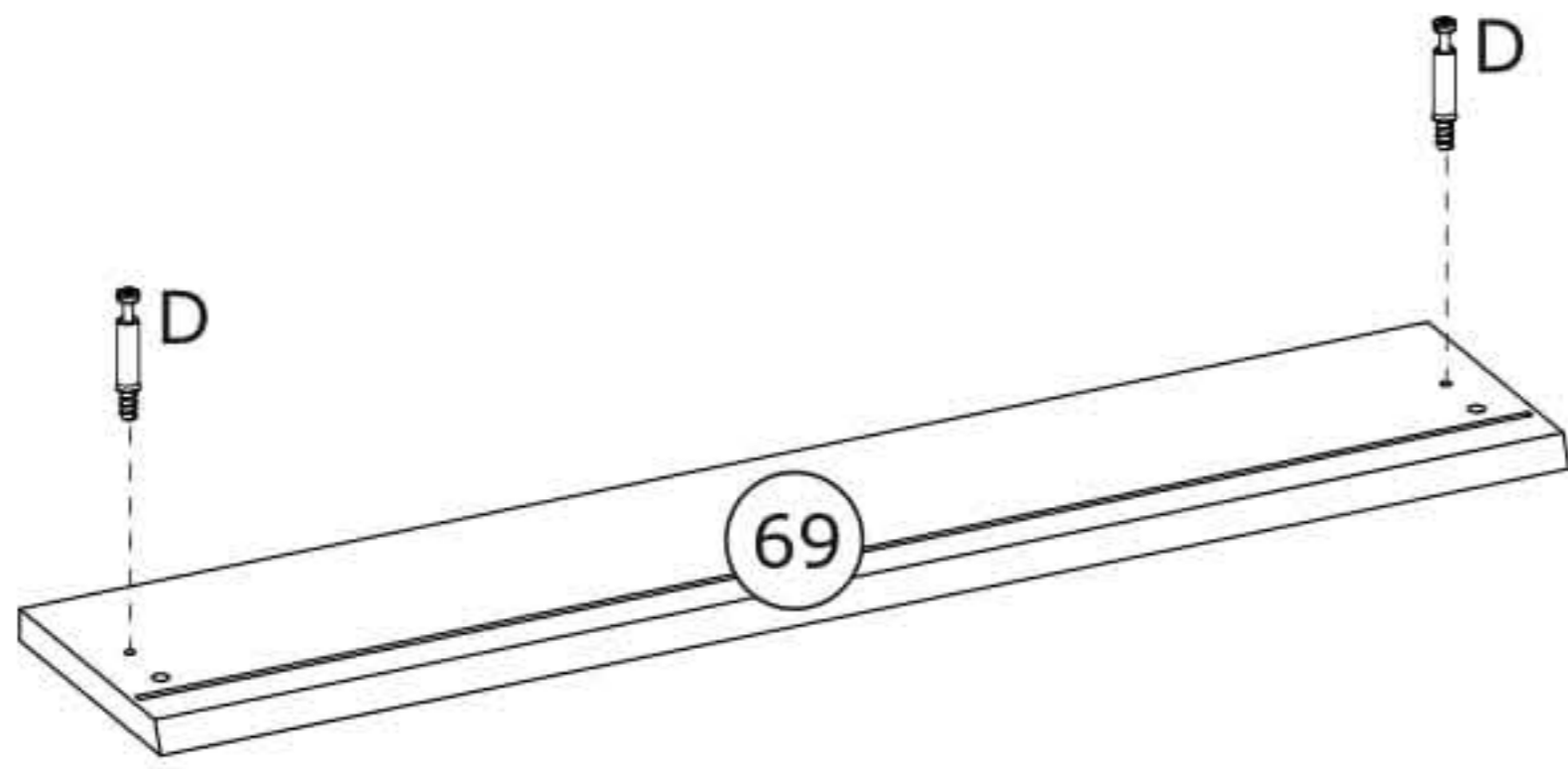
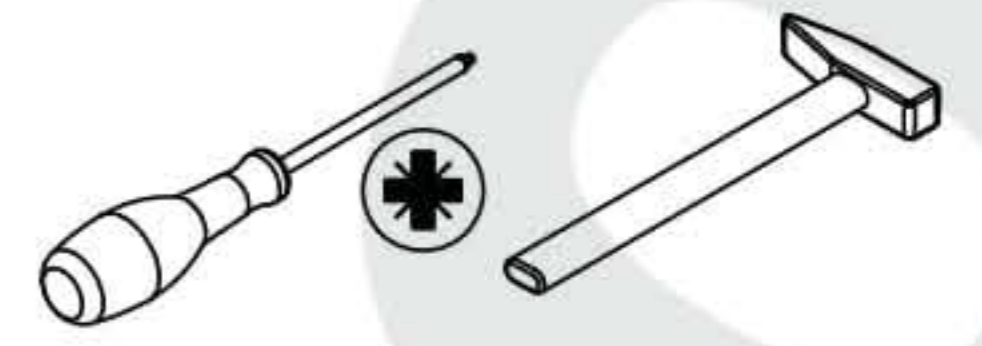
7



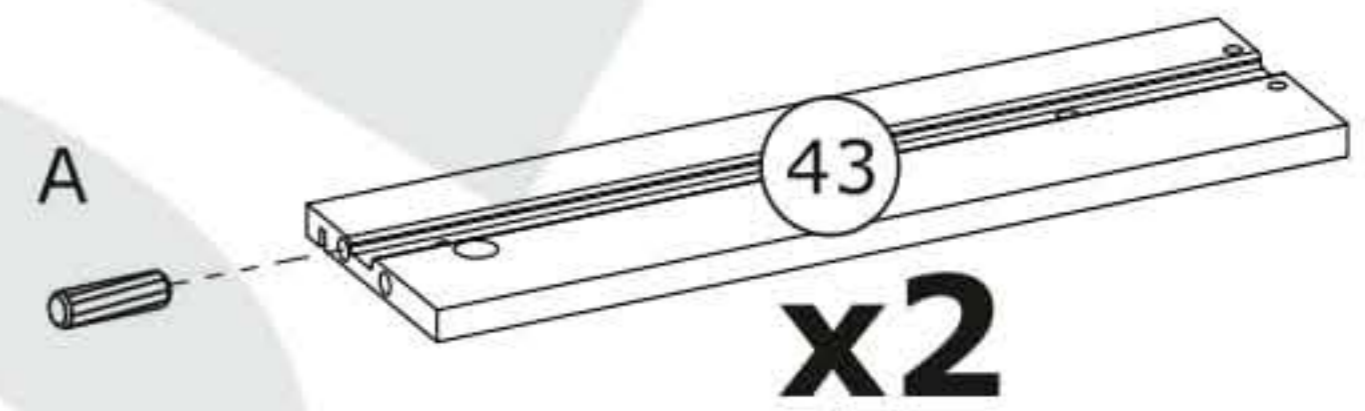
8

A x 4
Ø8x35 mm

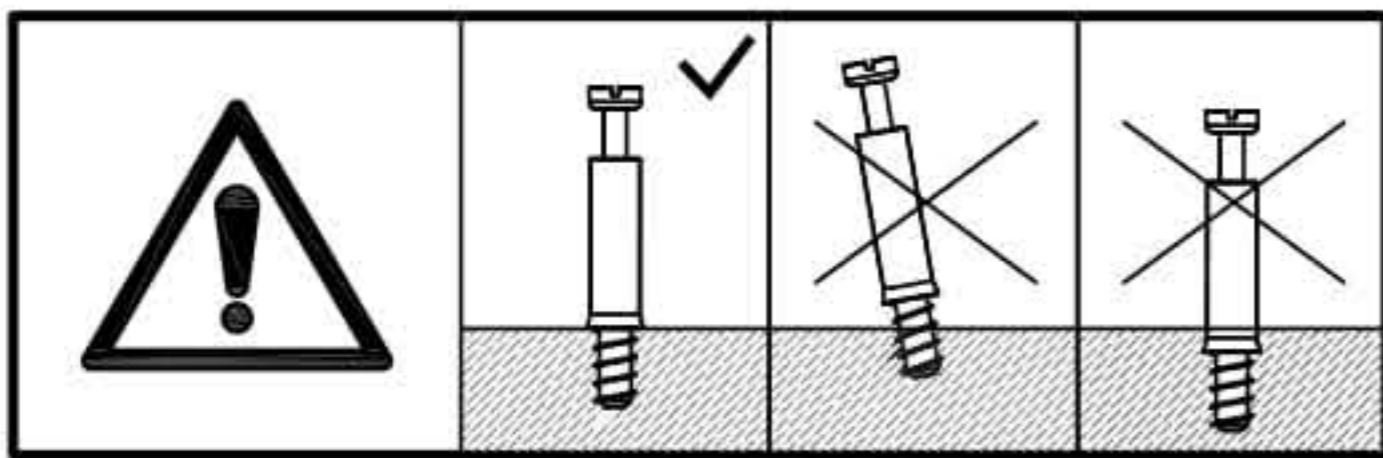
D x 4
Ø5x44 mm



x2

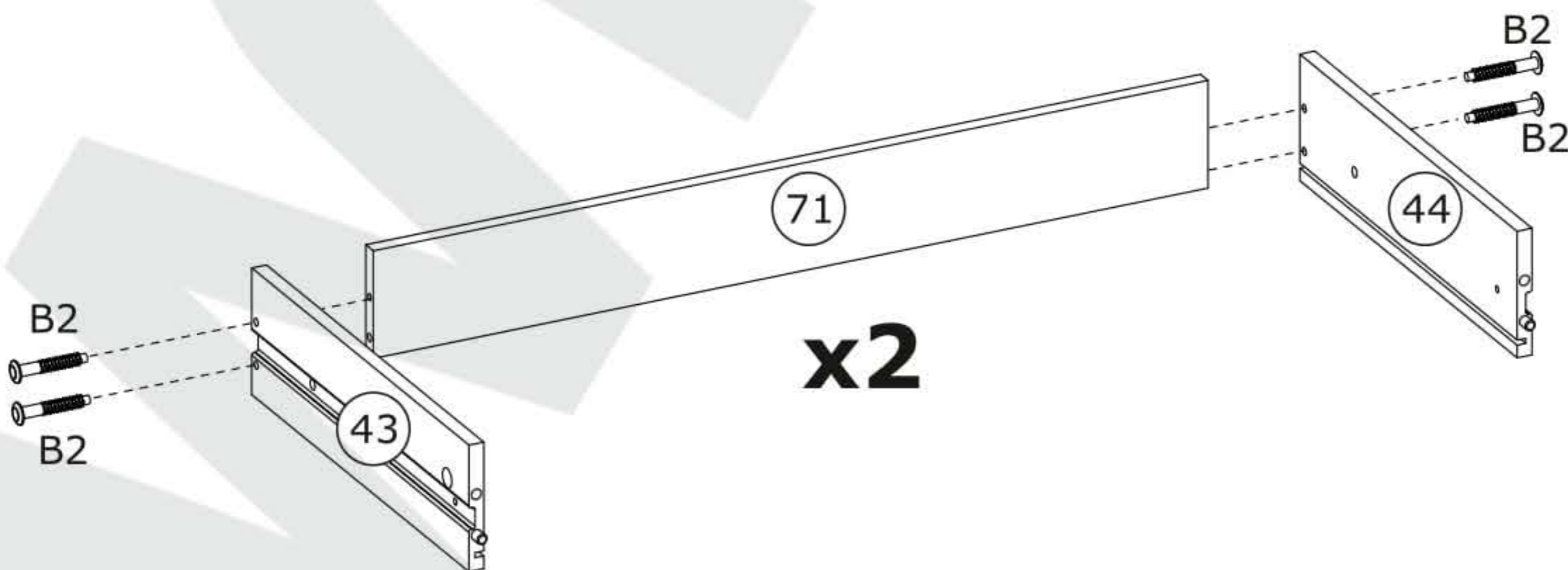
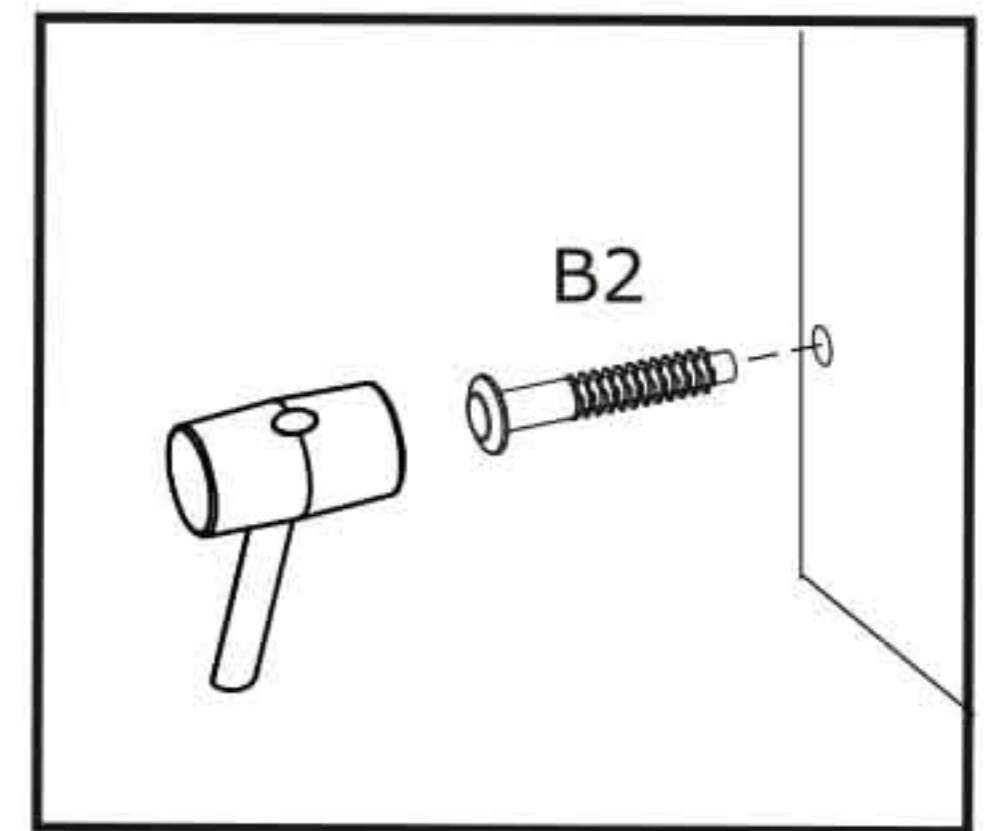
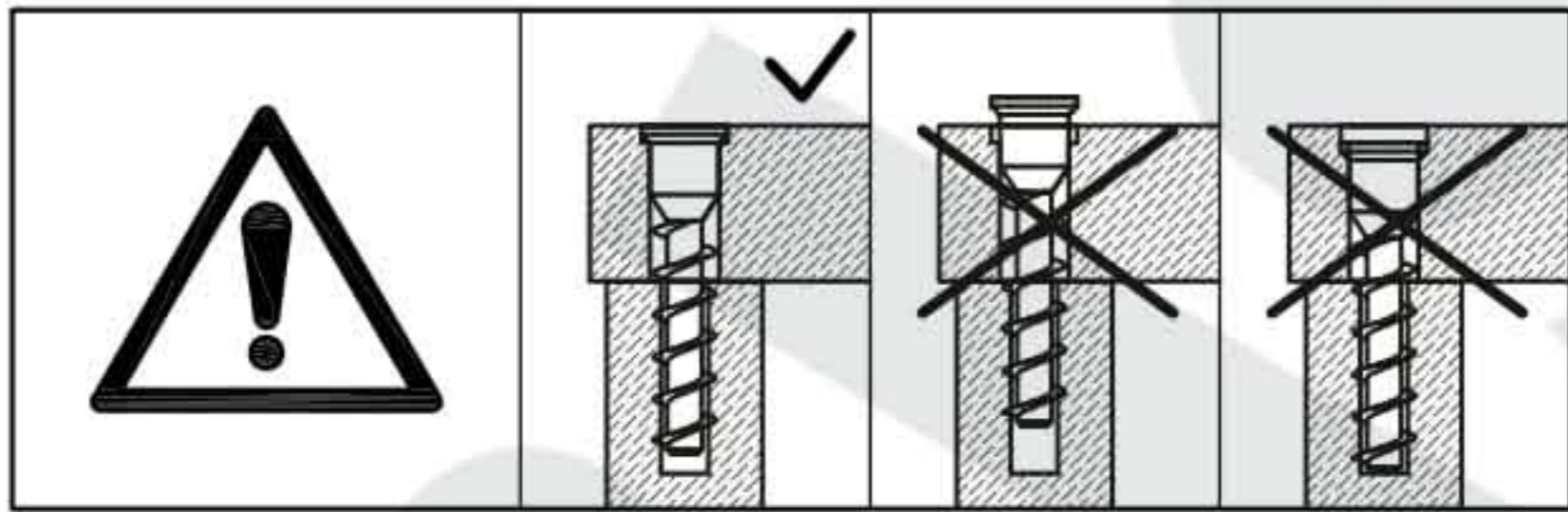
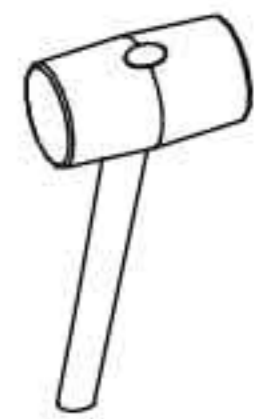


x2



9

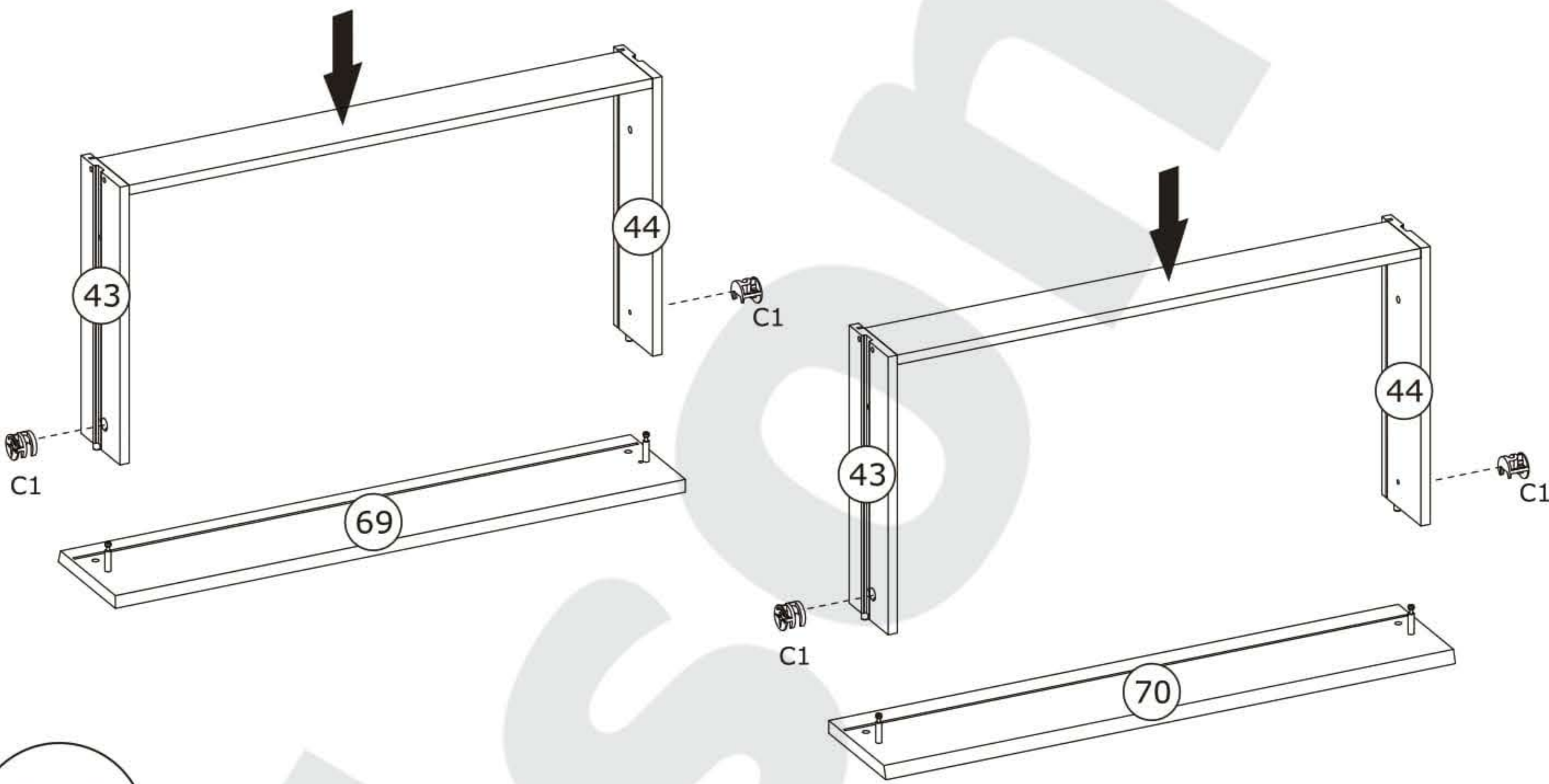
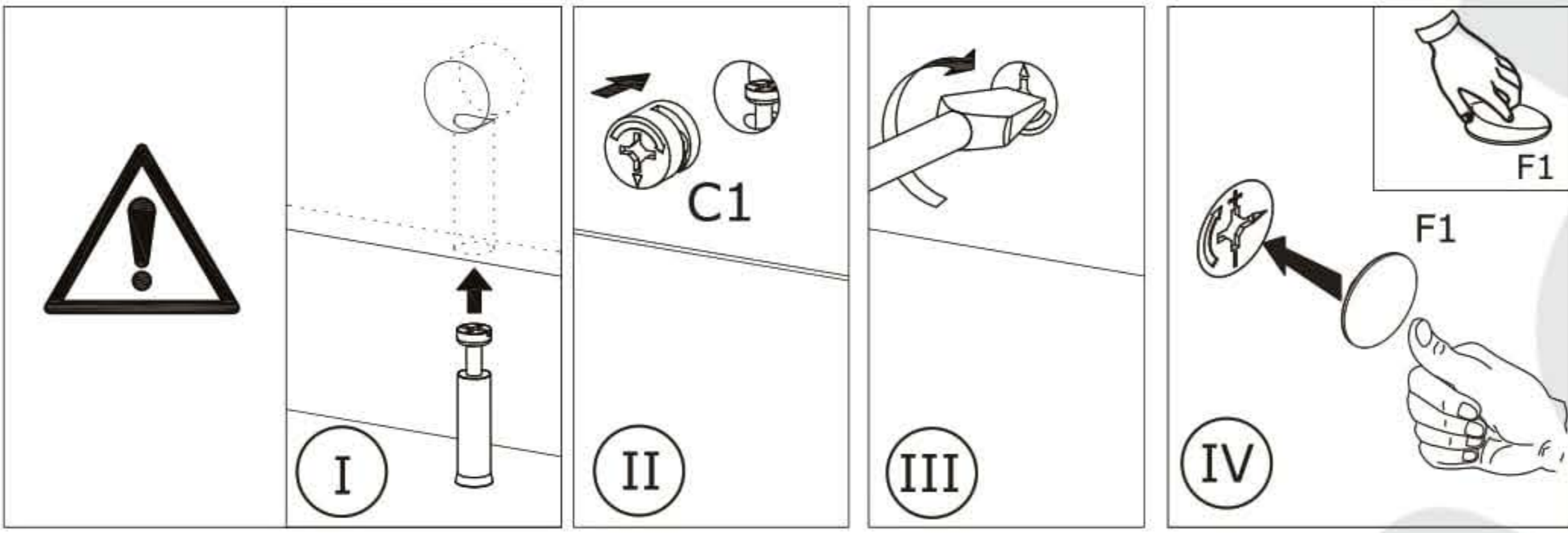
B2 x 8



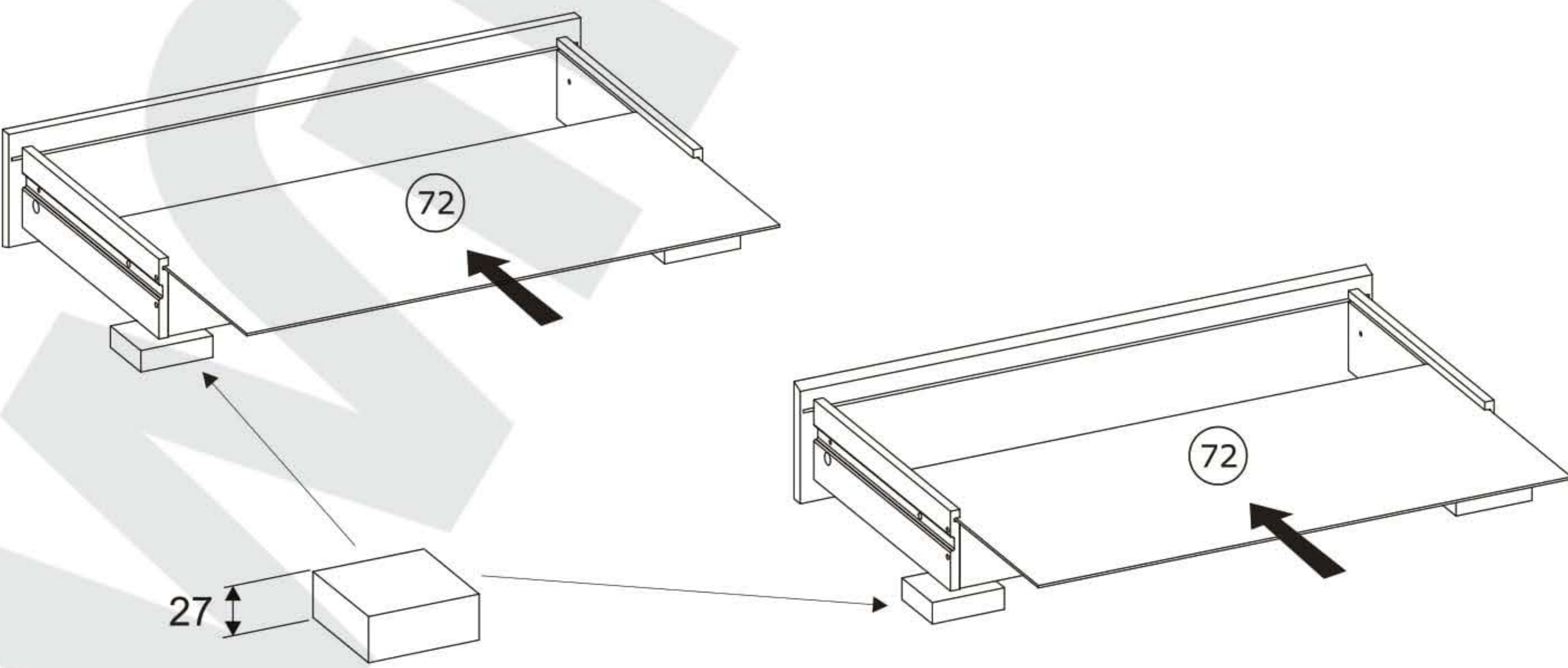
x2

10

C1 x 4  Ø15x10 mm	F1 x 4  20 mm	
--	--	---

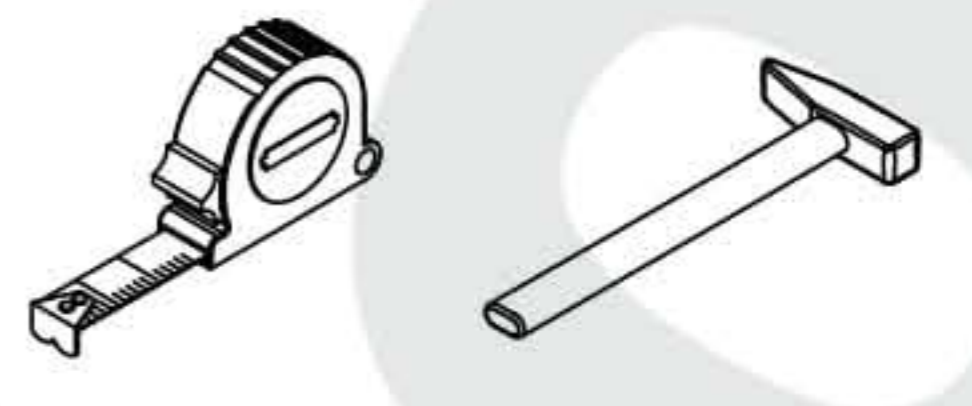



11

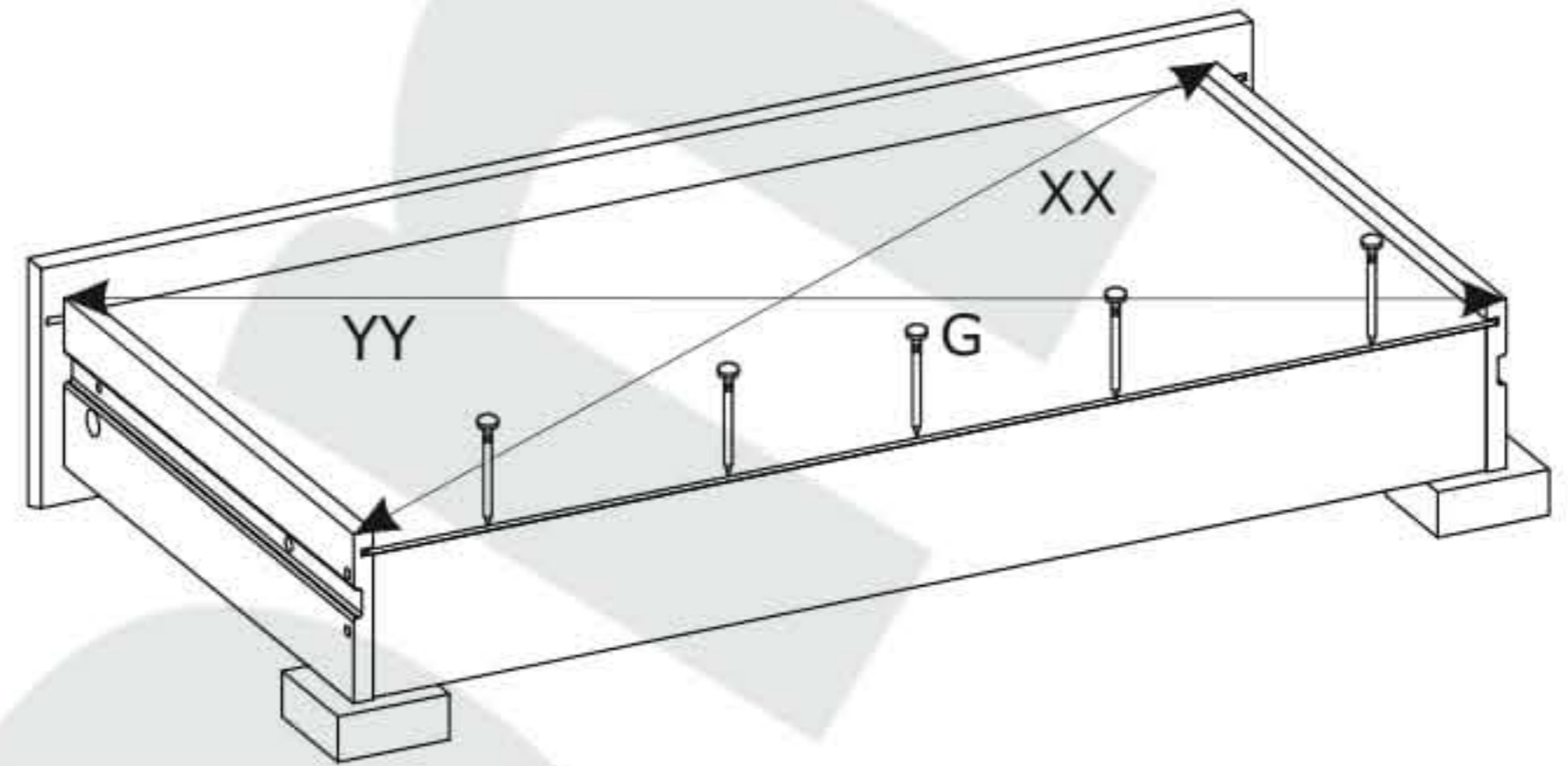
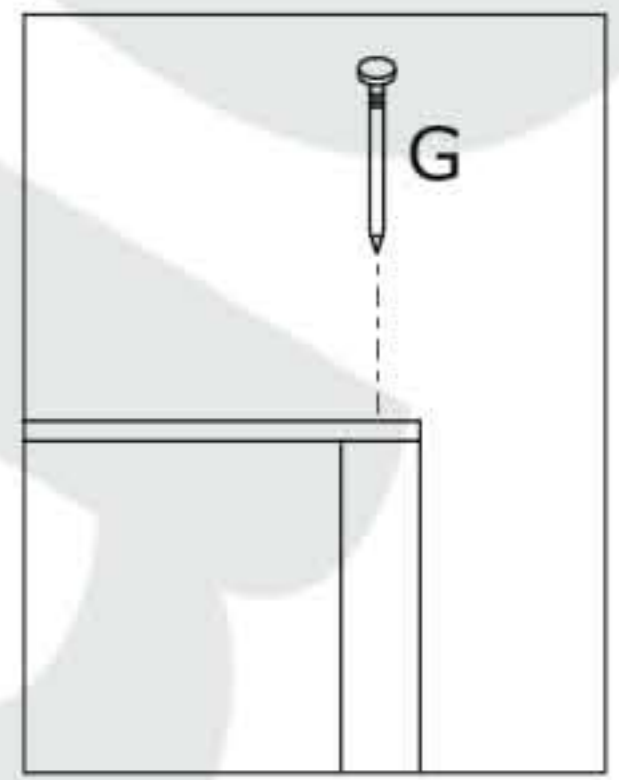
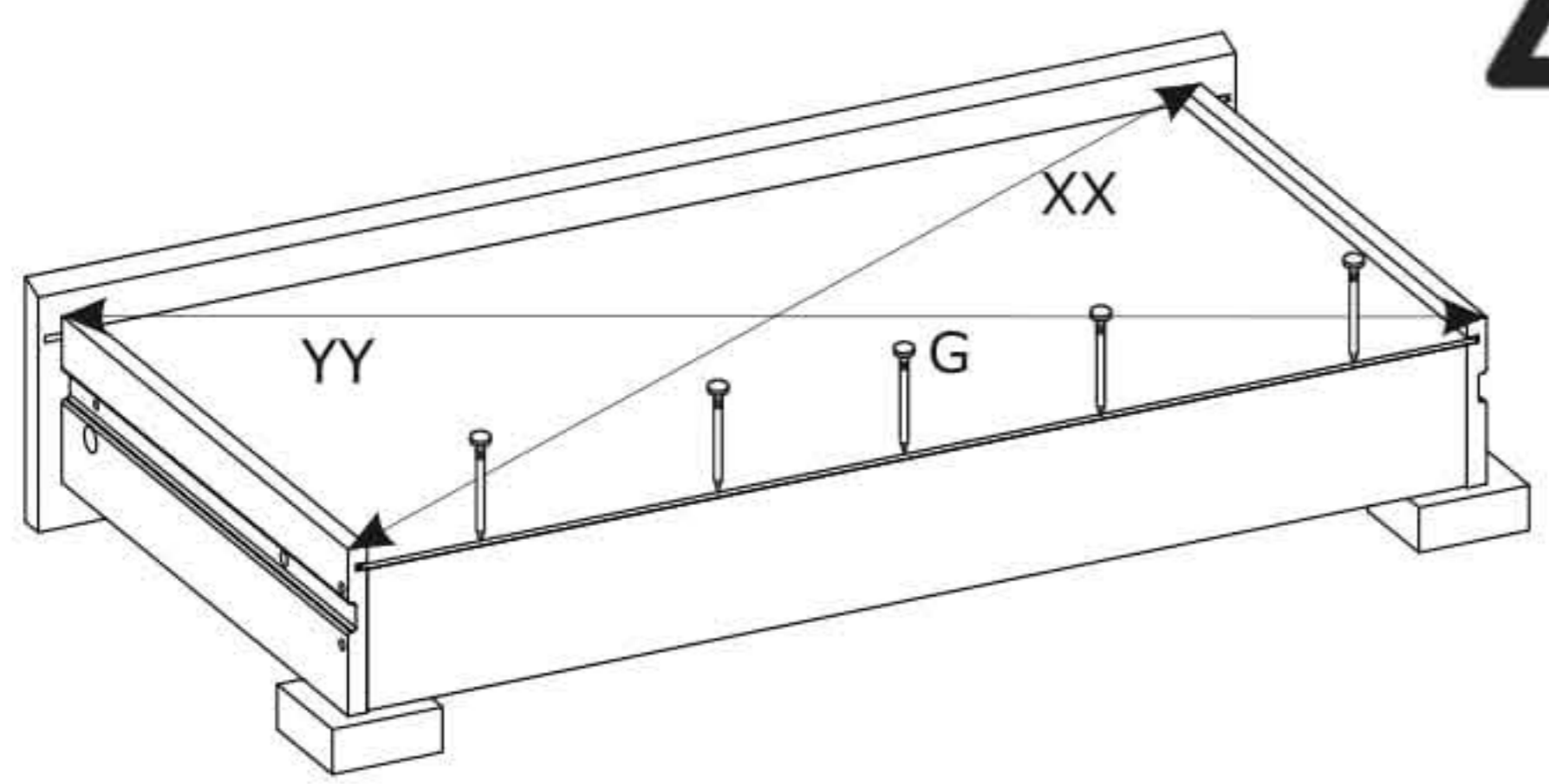


12

G x 10
1.2x25 mm



 $XX = YY \equiv 90^\circ$



13

Q x 4
4x9 mm

