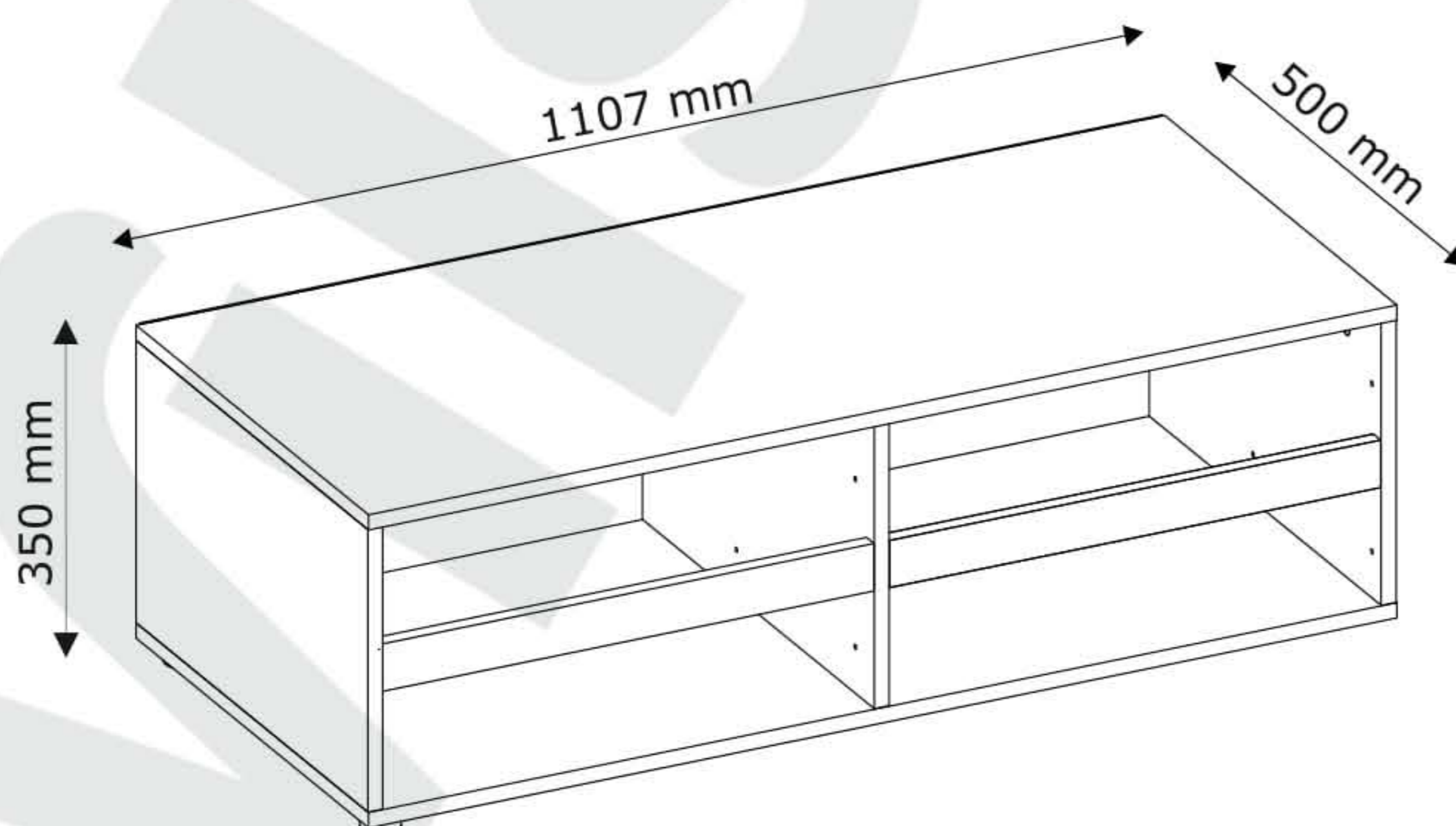
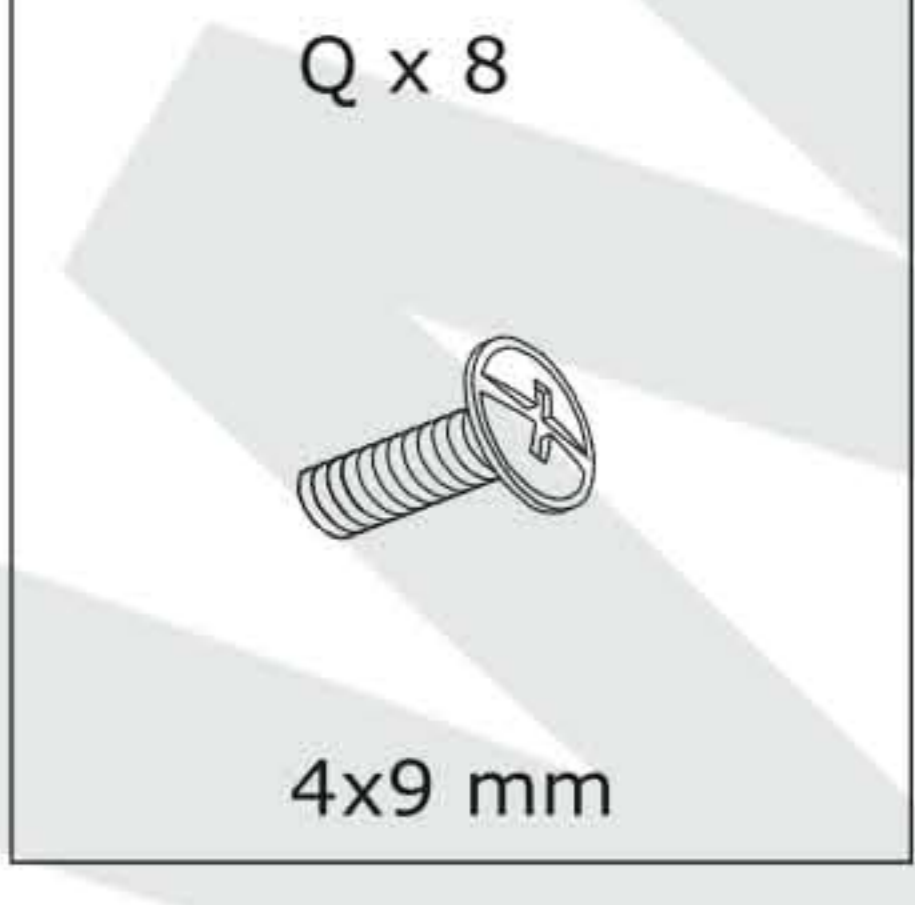
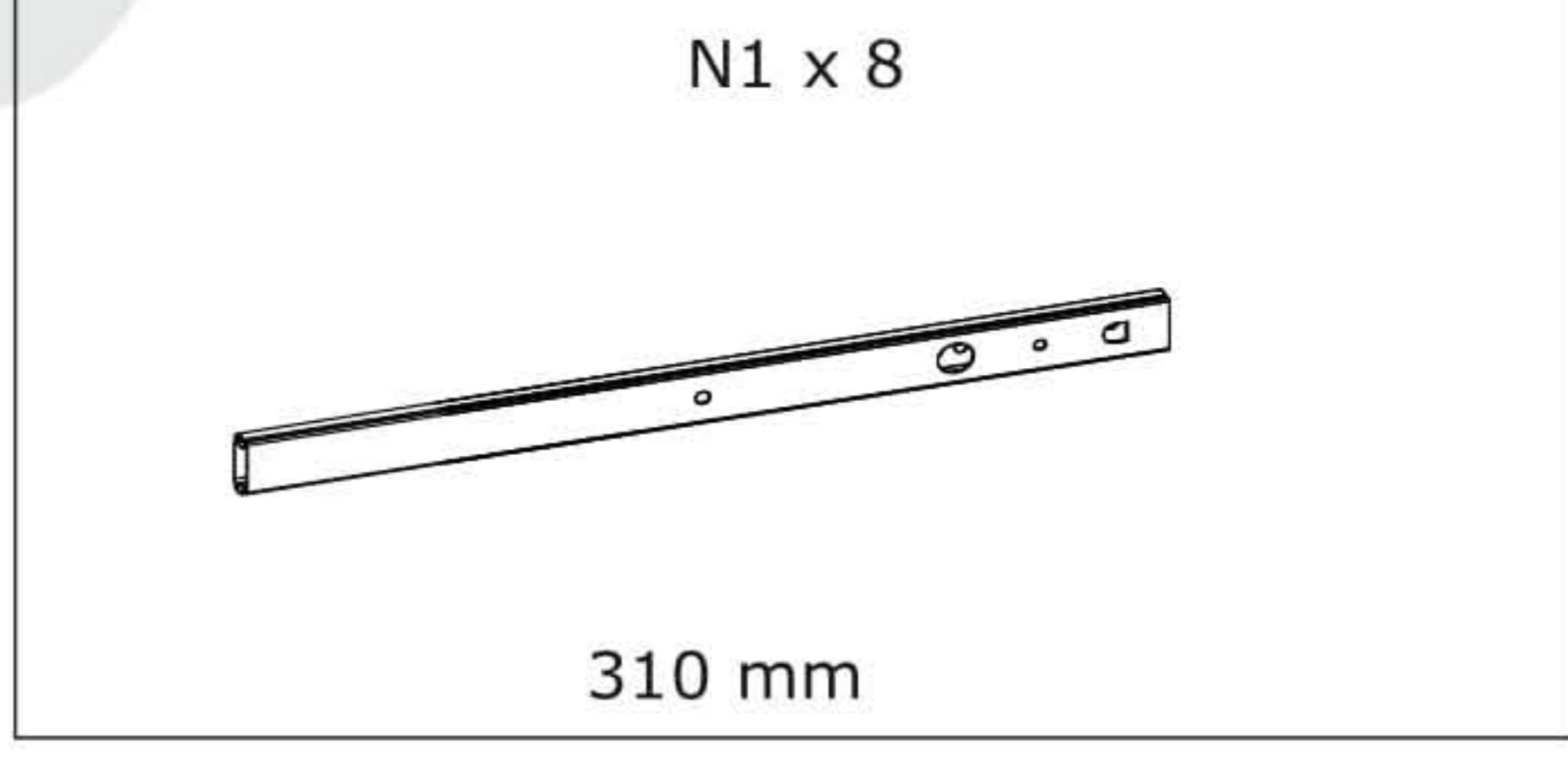
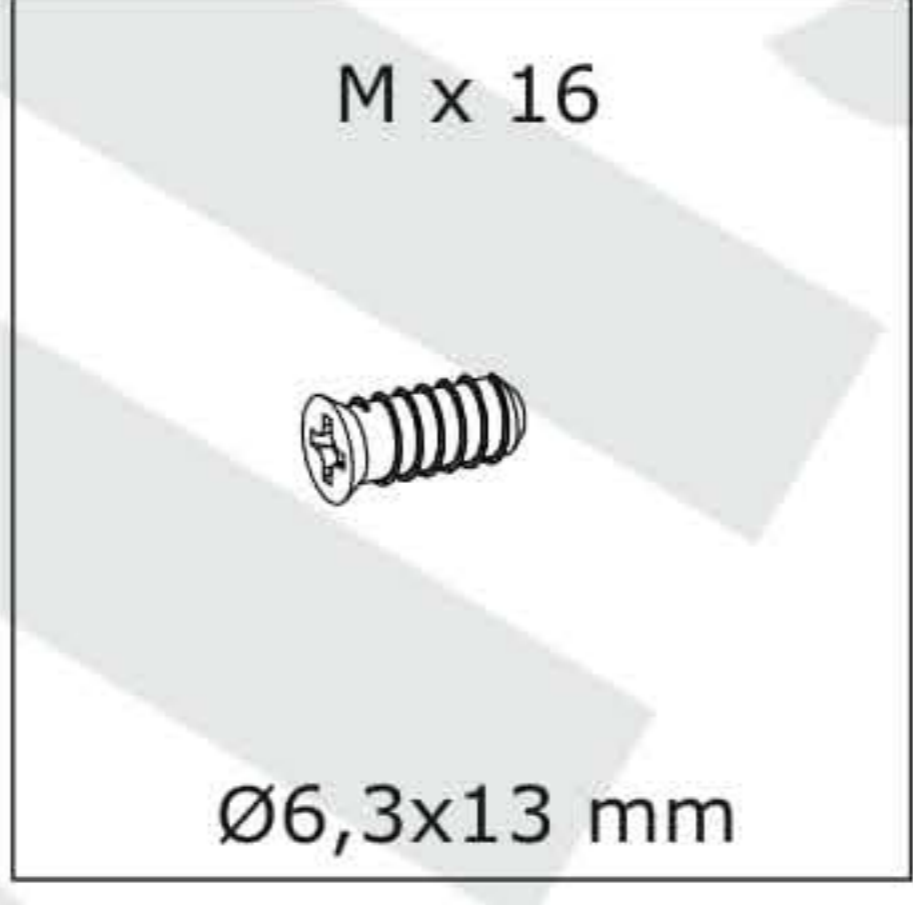
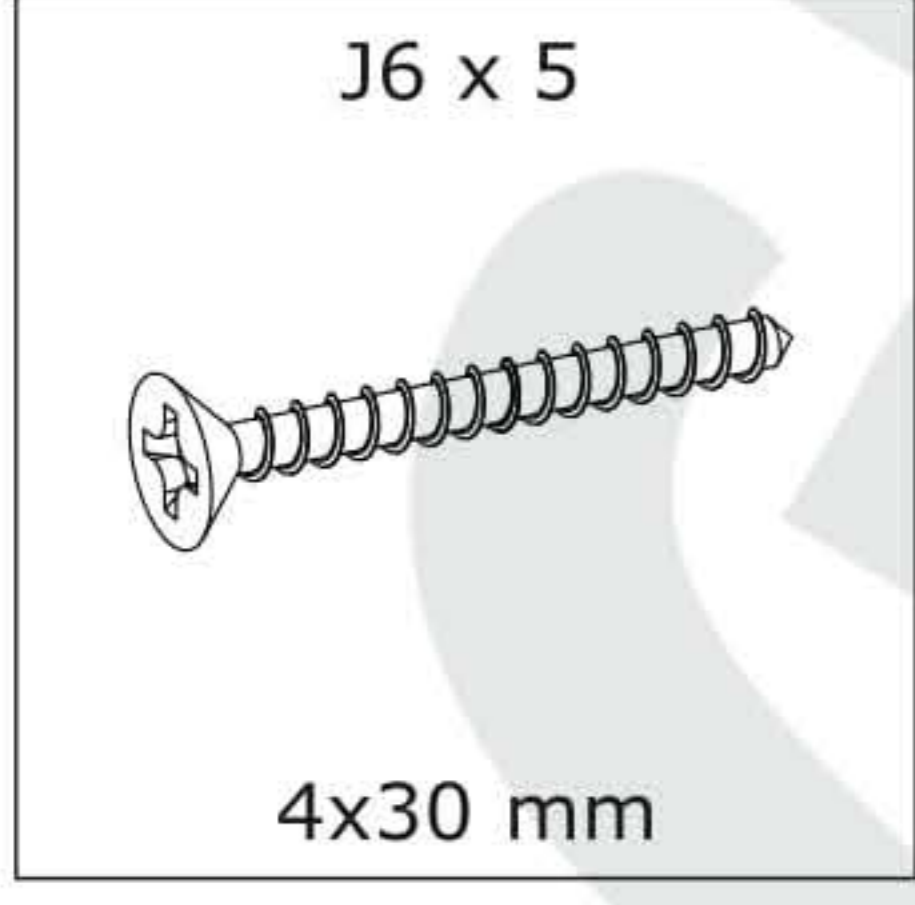
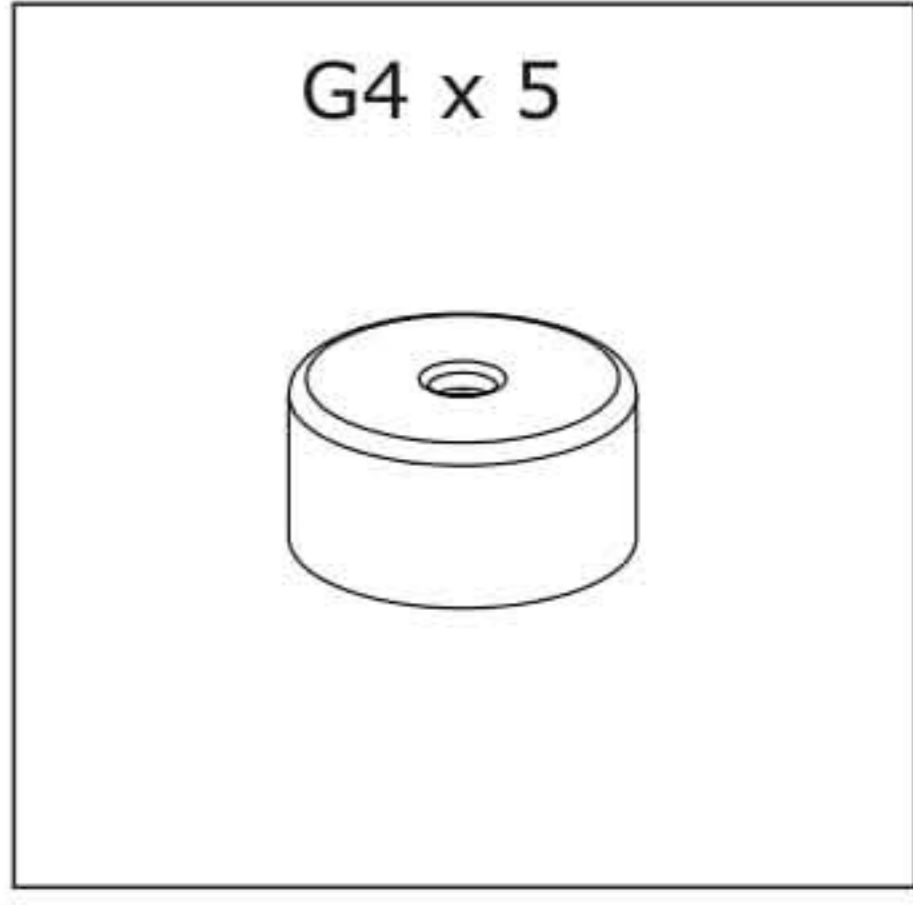
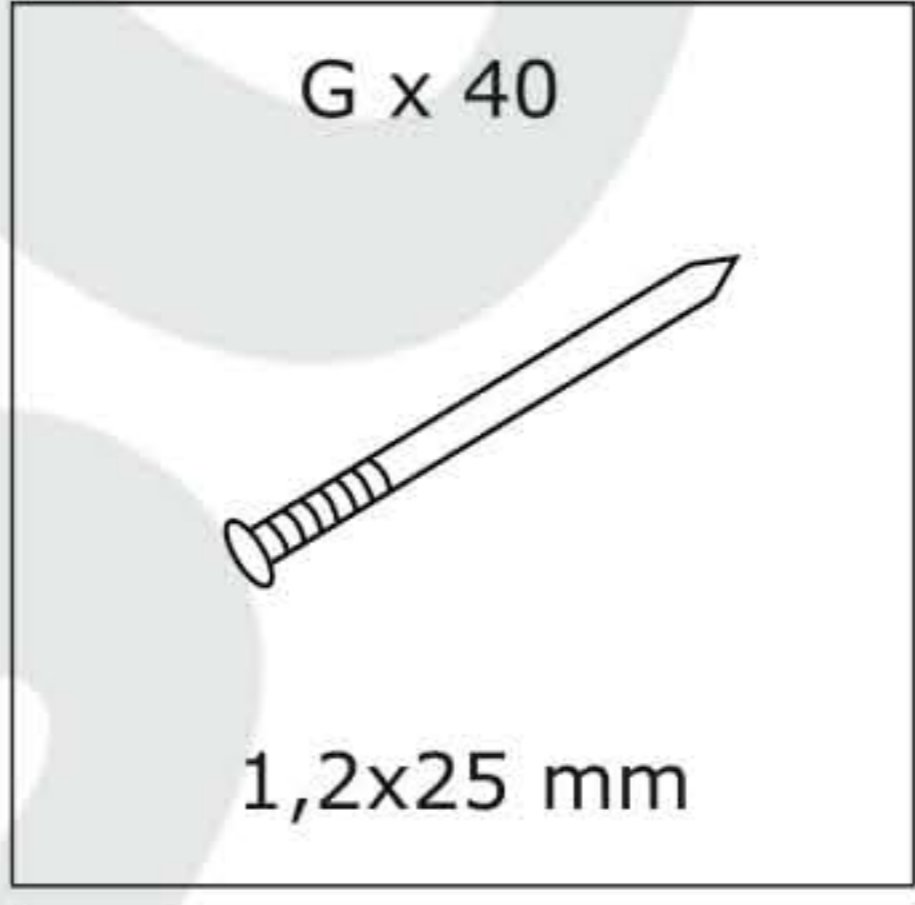
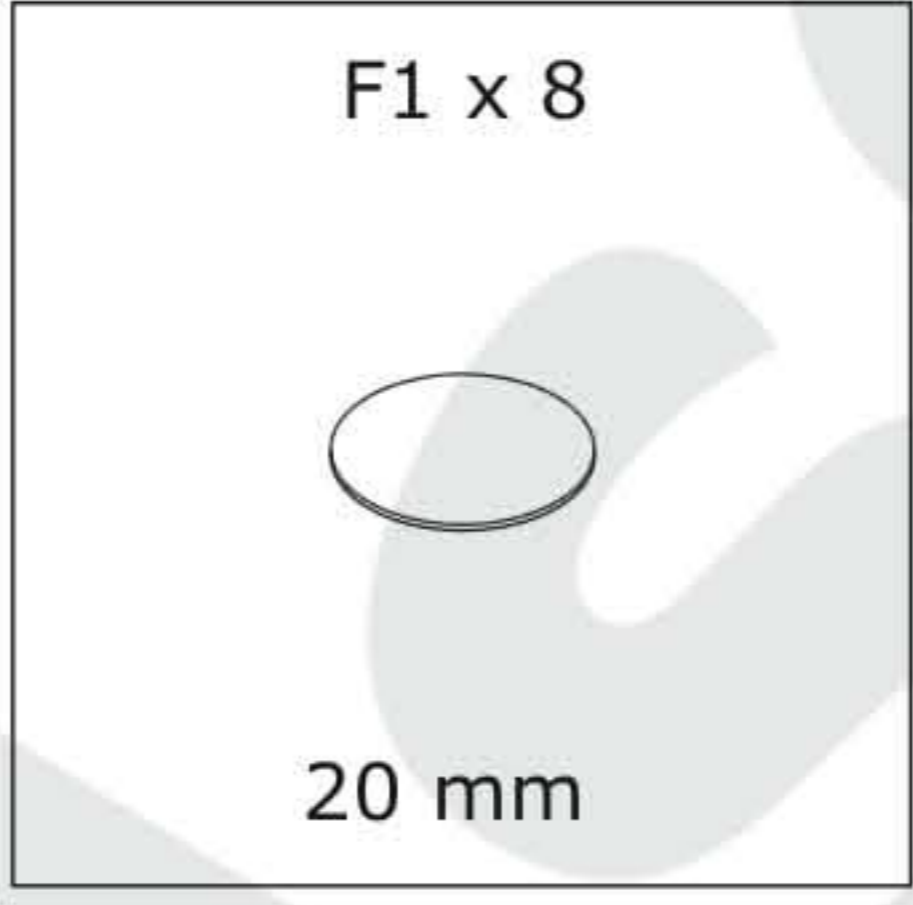
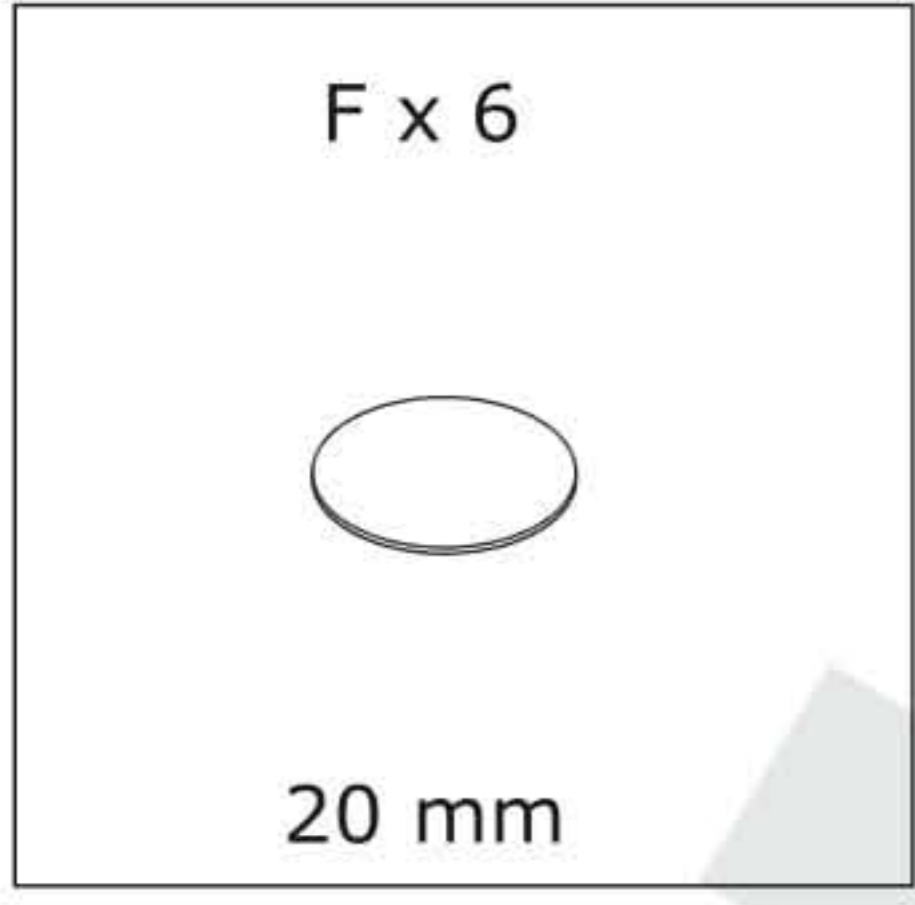
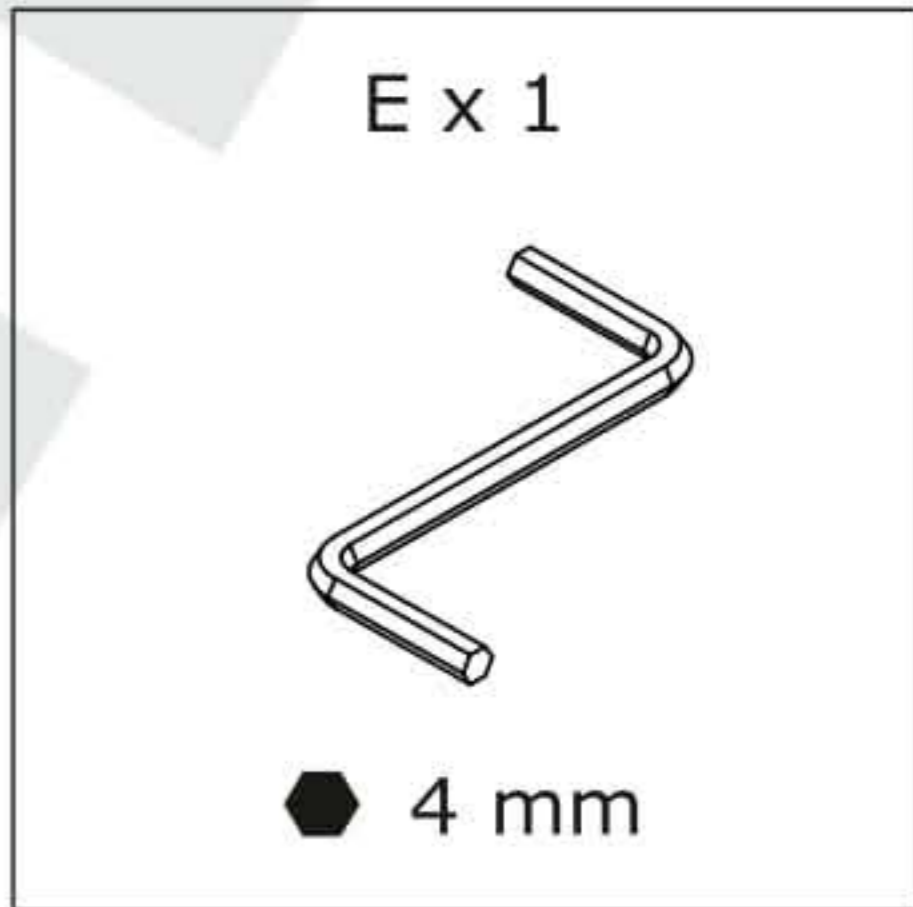
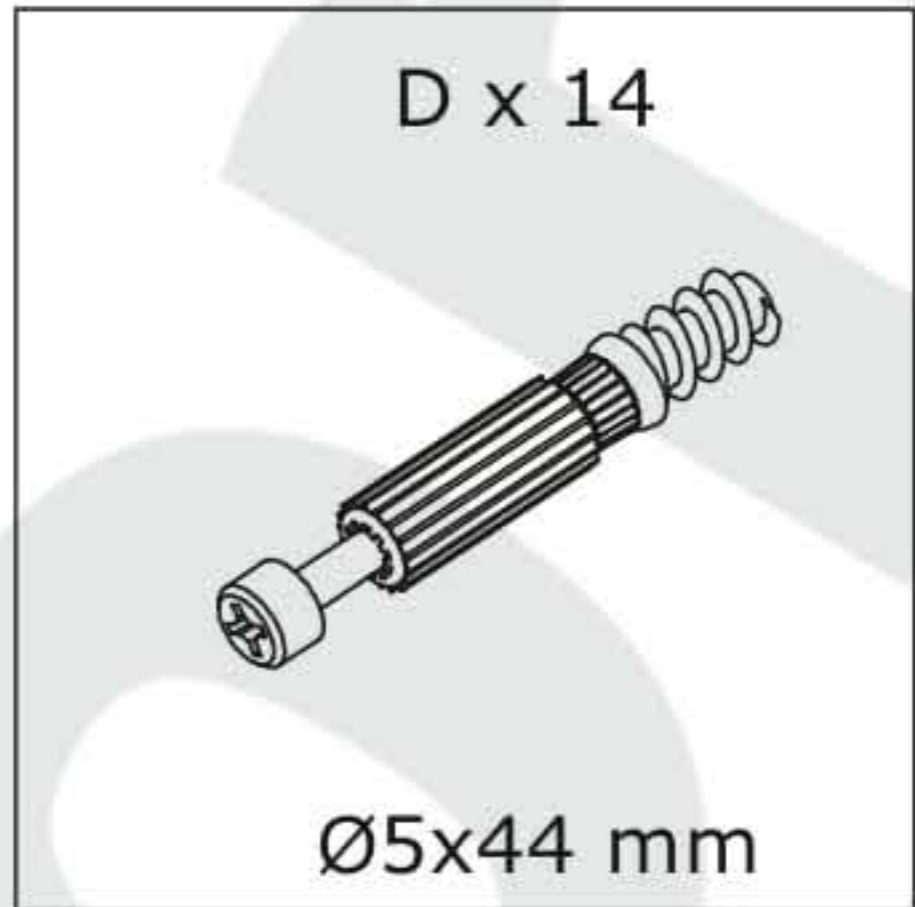
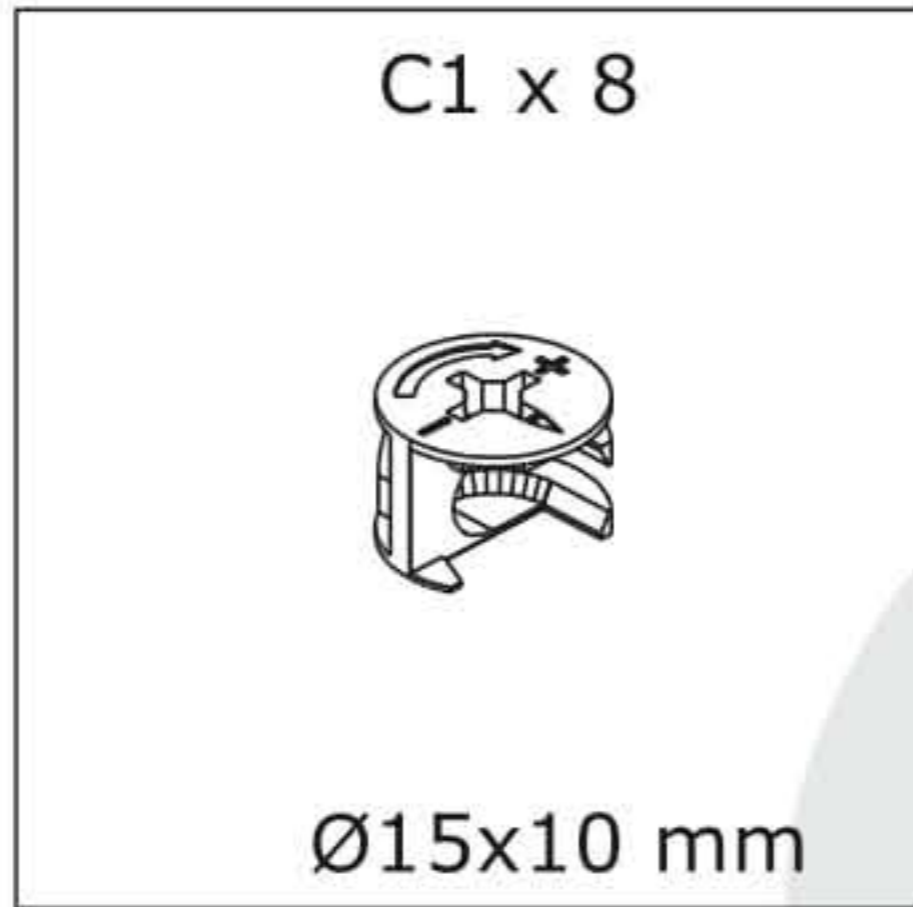
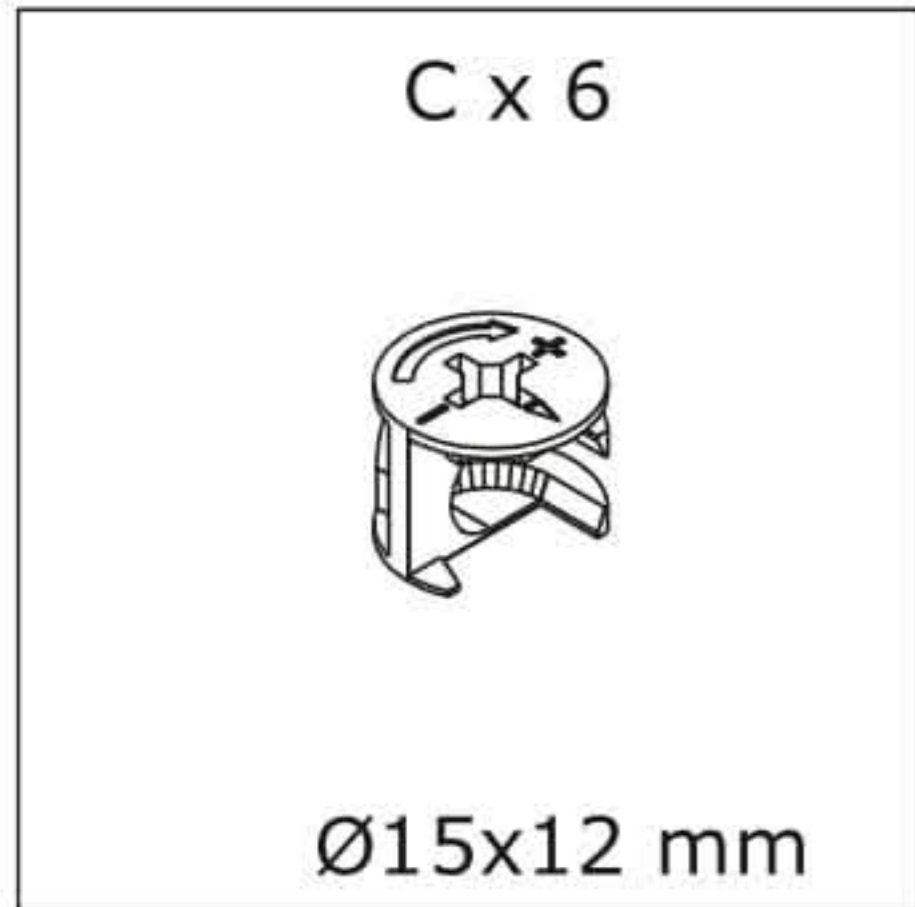
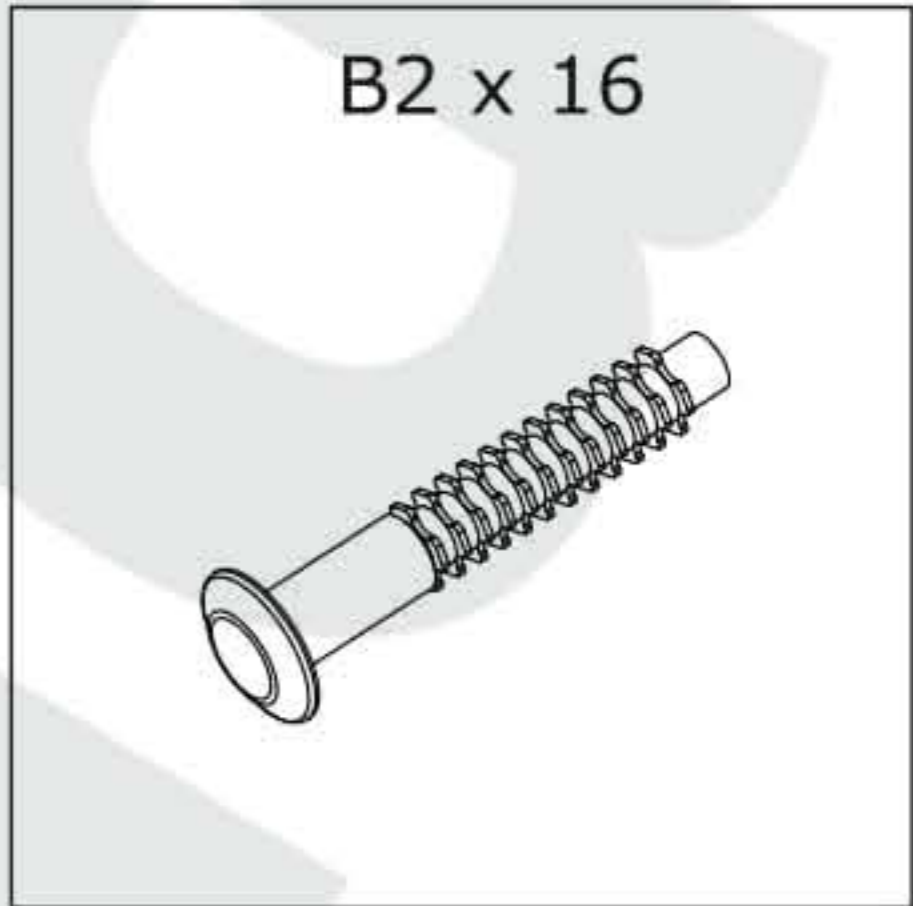
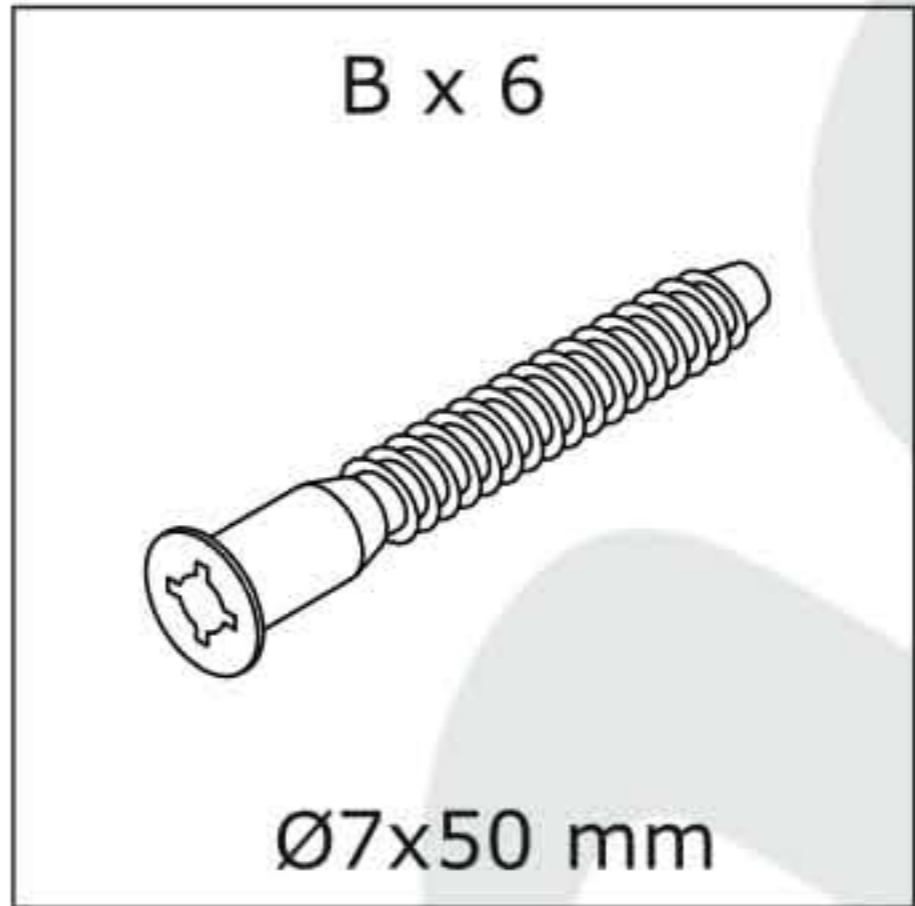
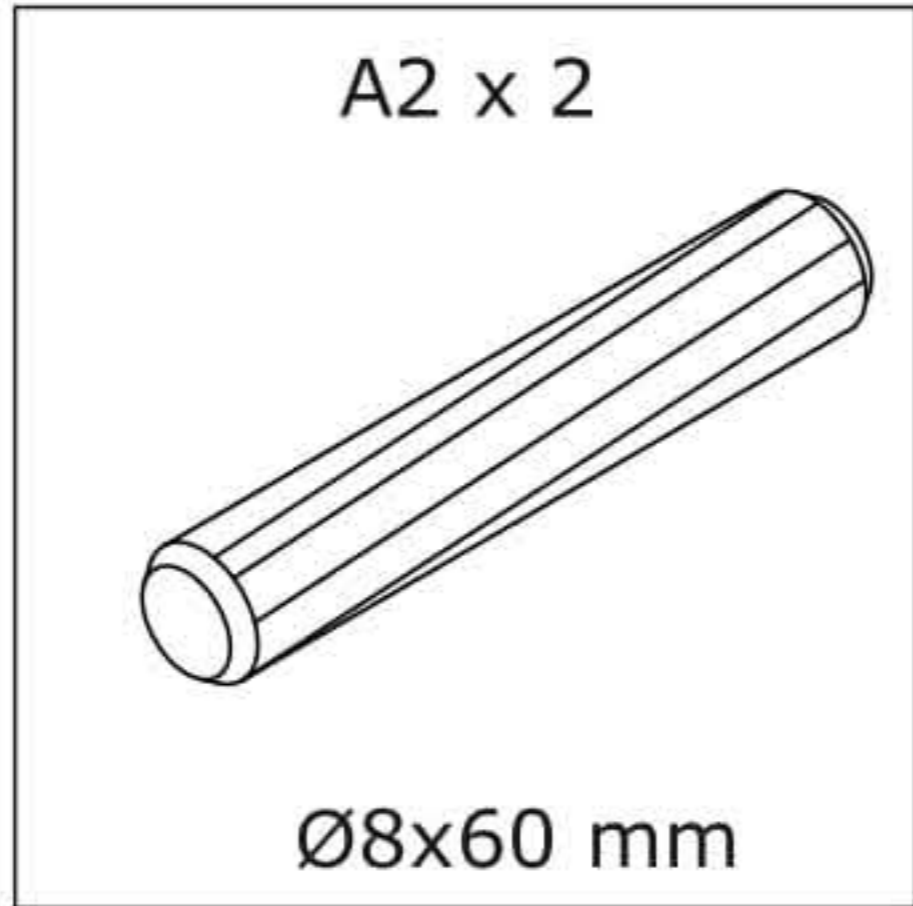
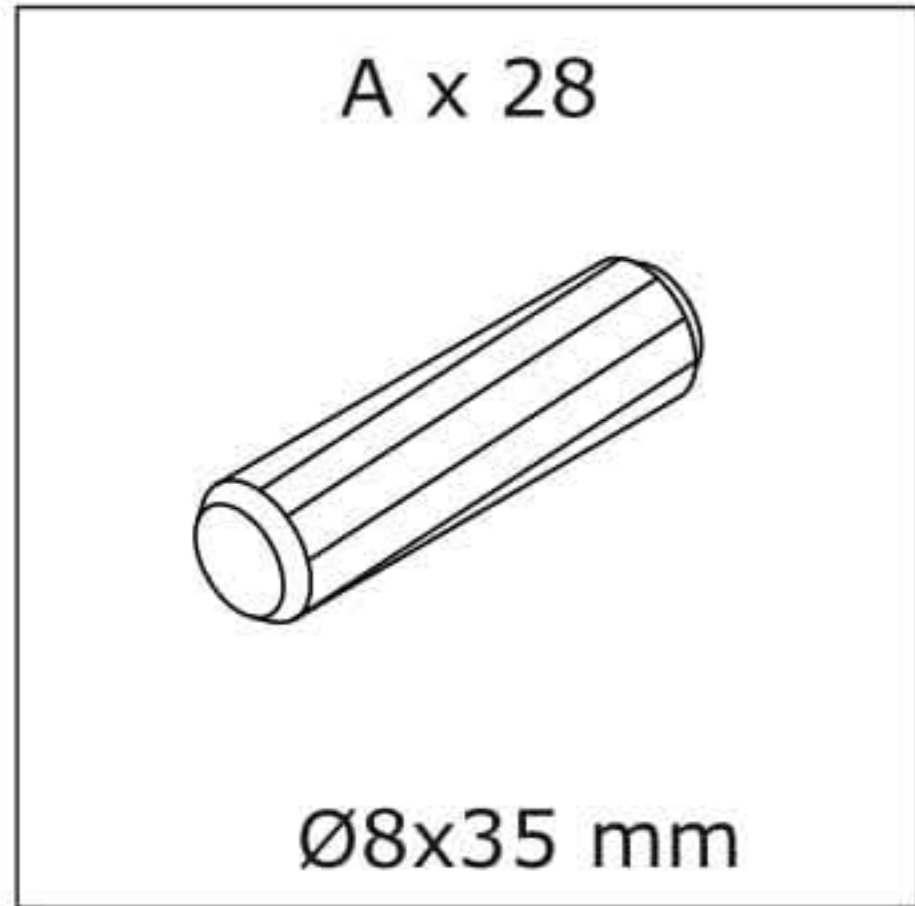
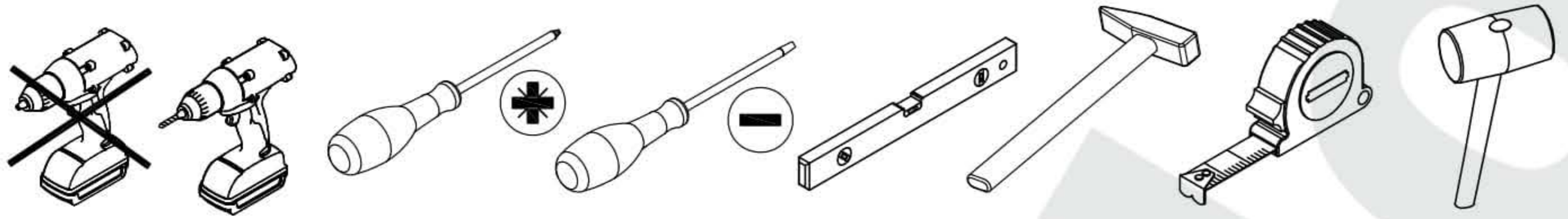
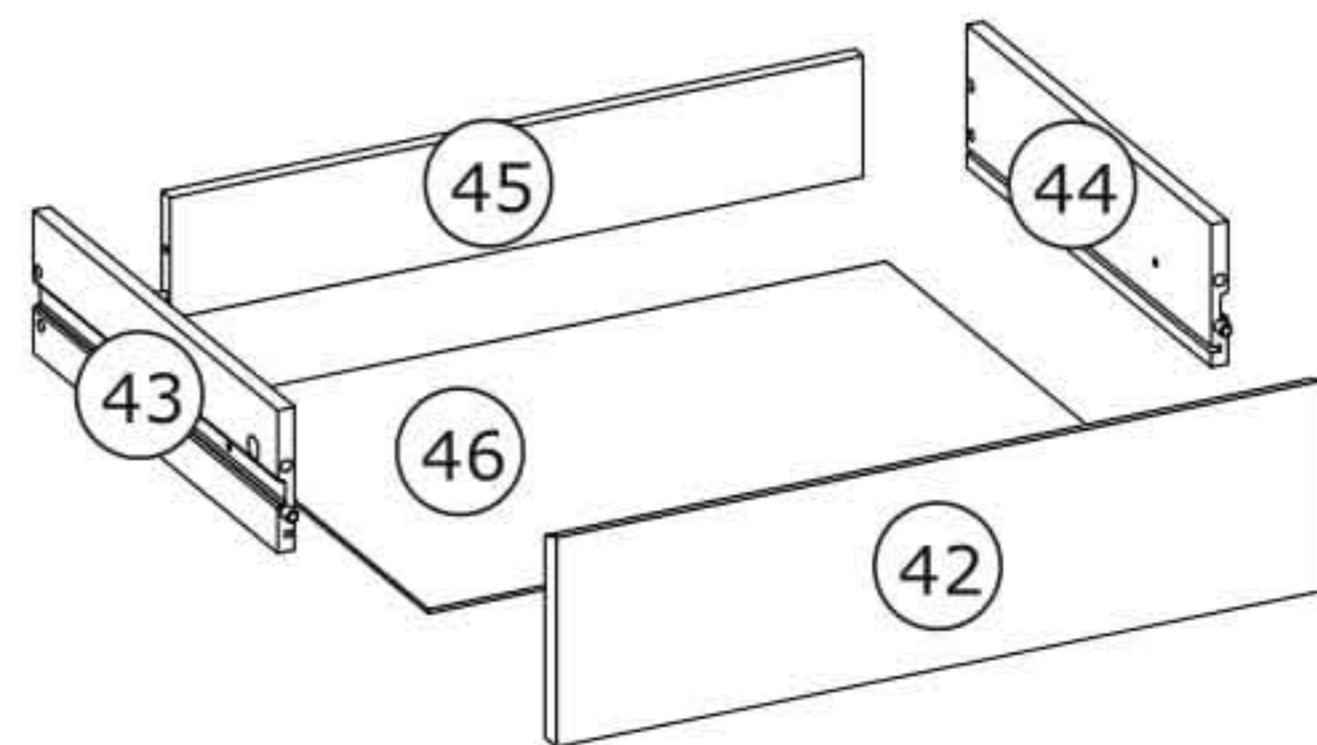
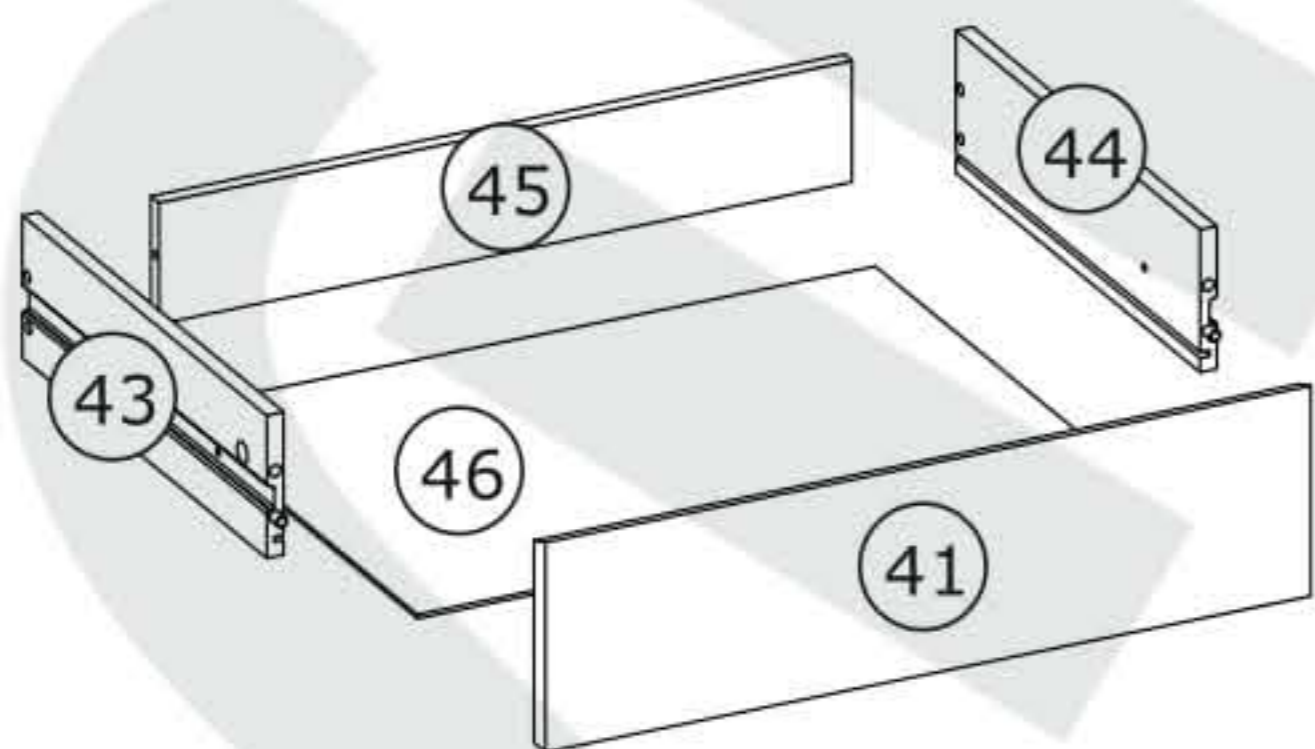
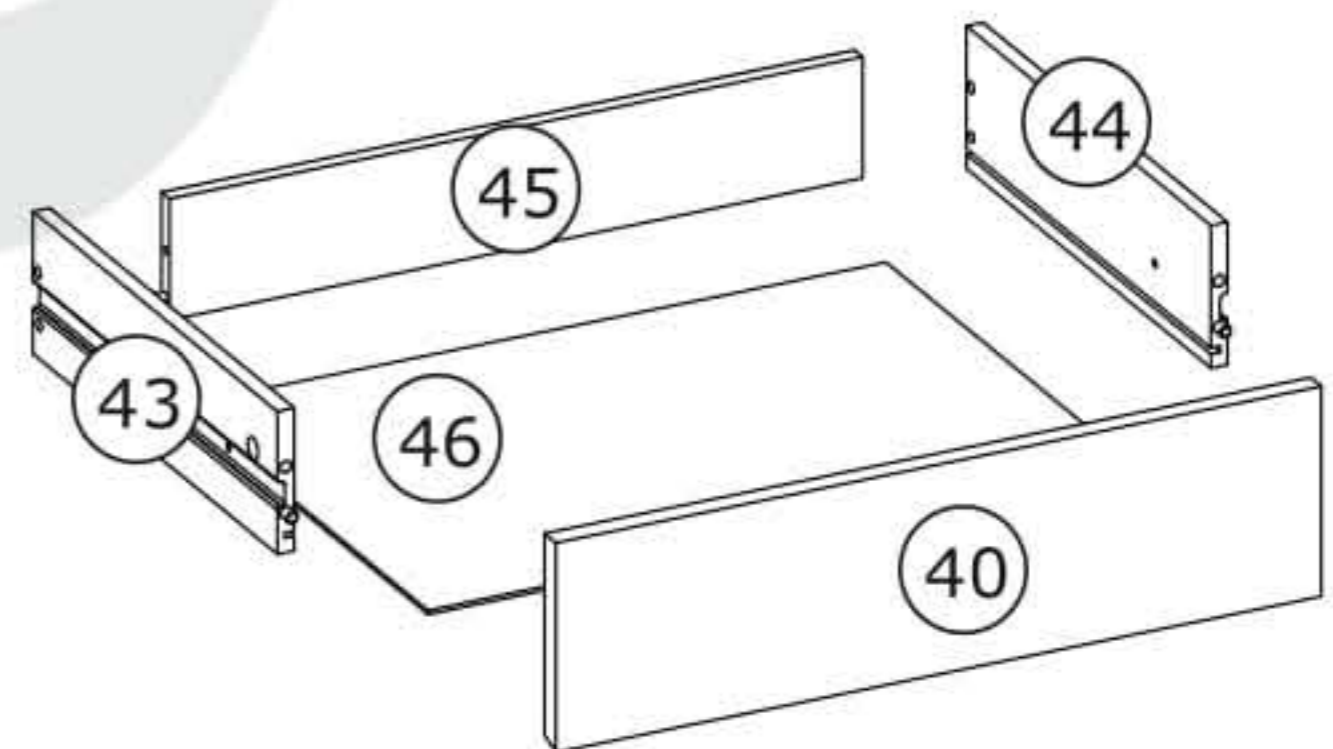
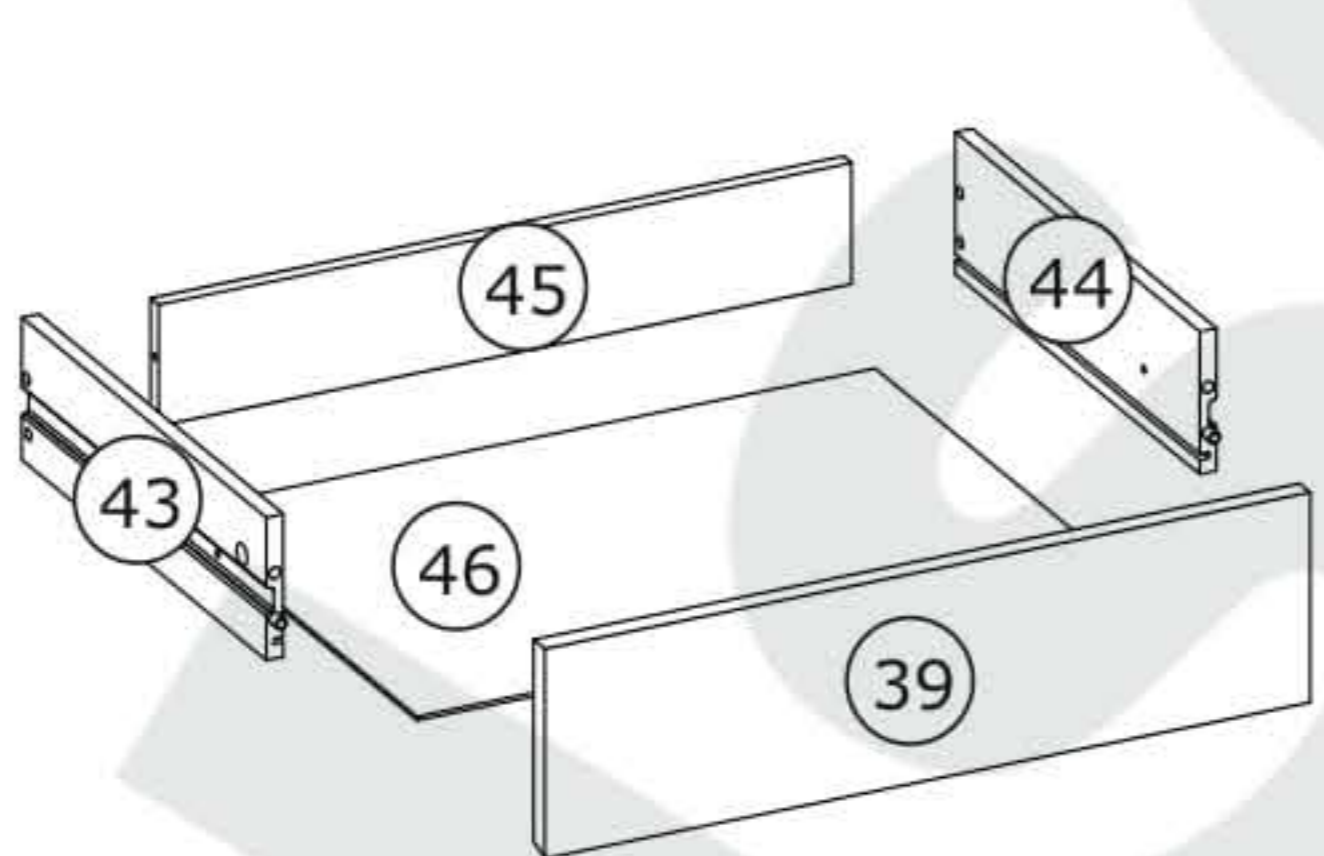
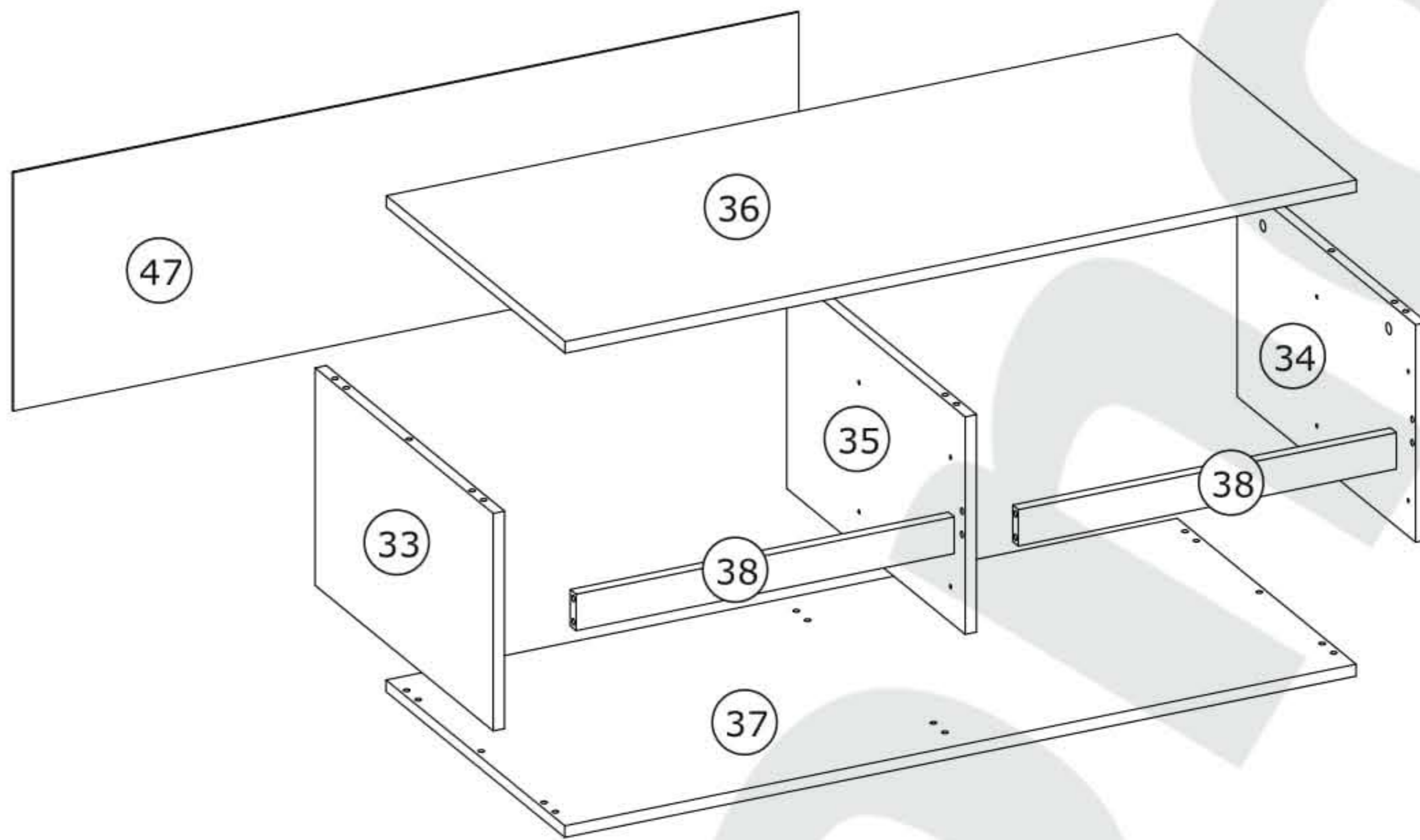


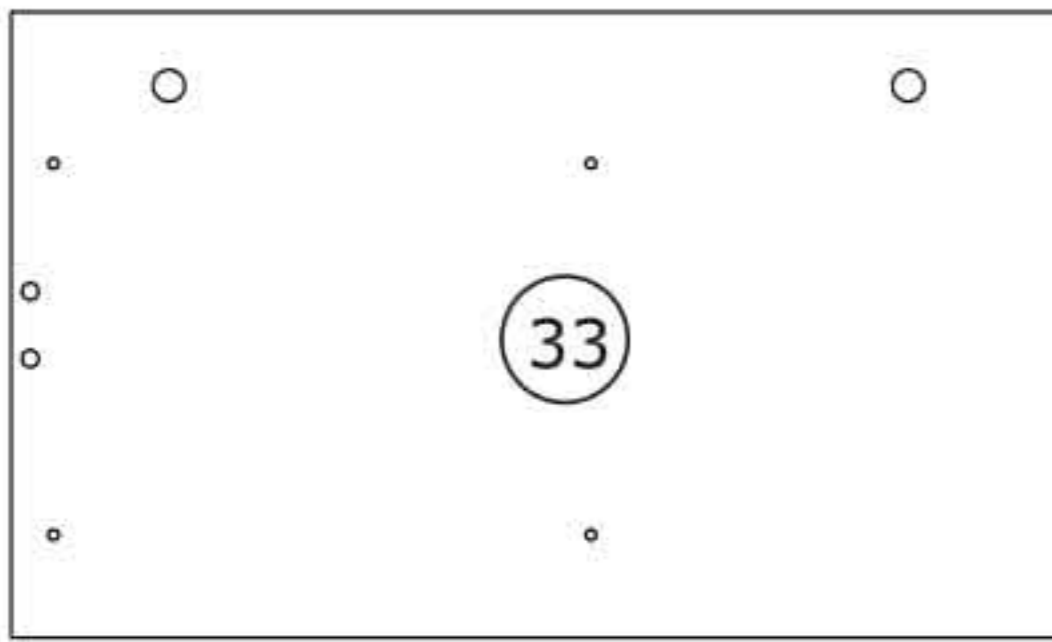
Basic Plus 4 S



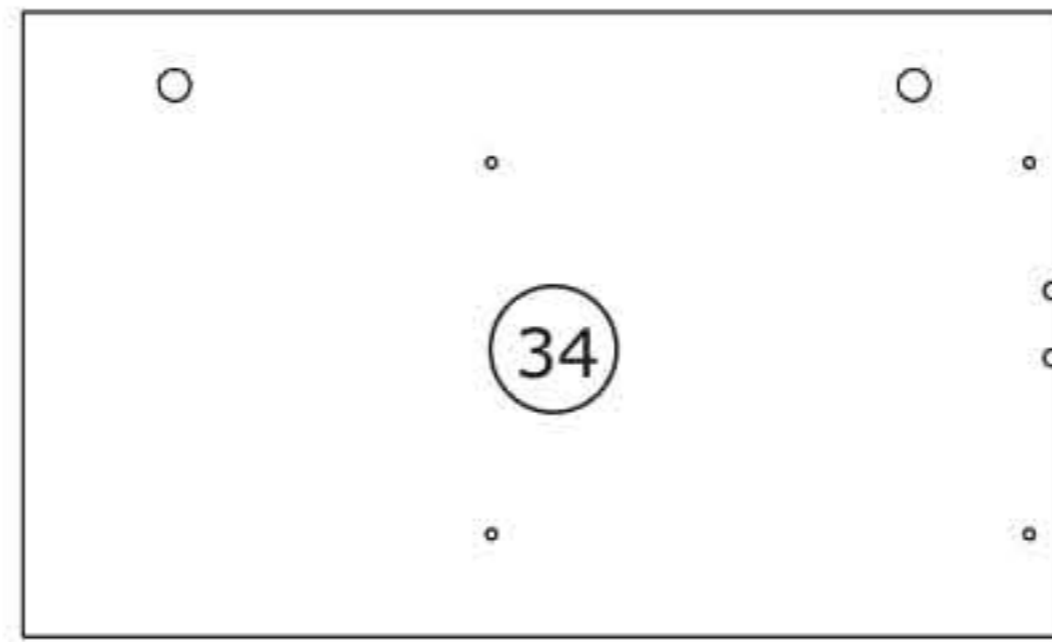




BOX 1/1:



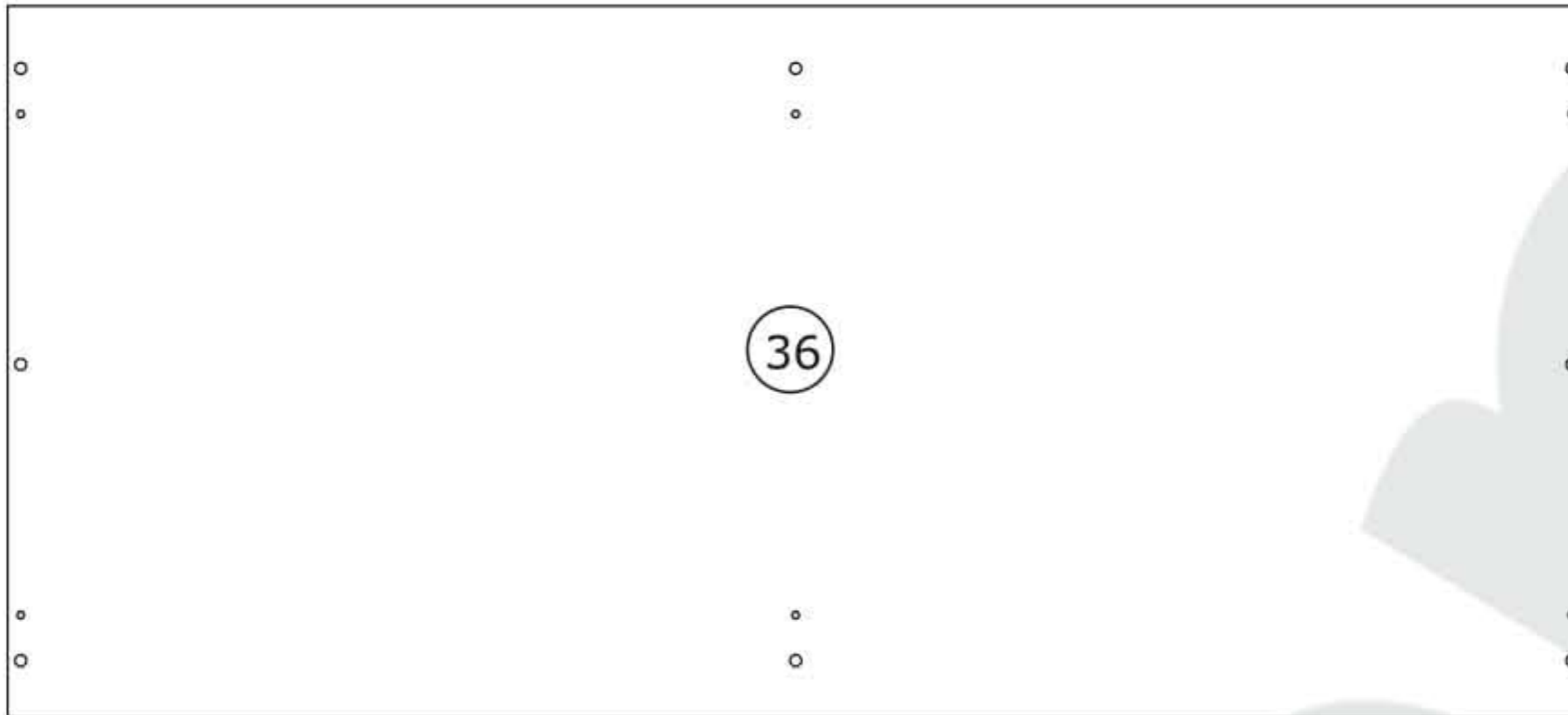
298x499x16 mm



298x499x16 mm



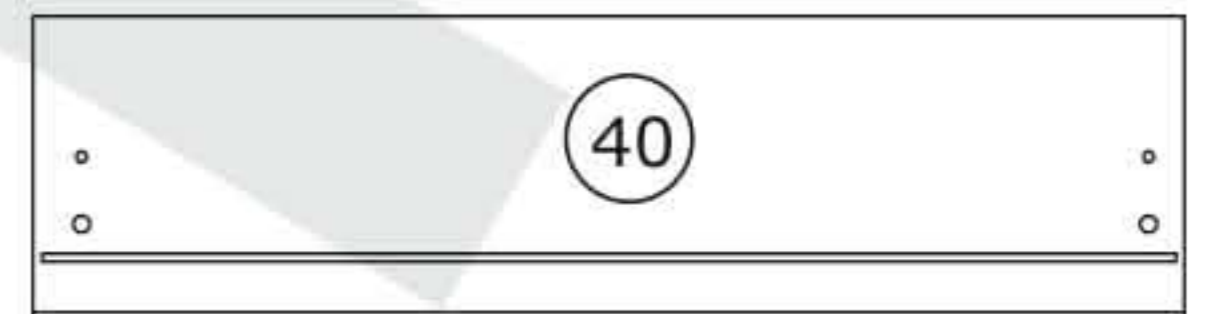
298x499x16 mm



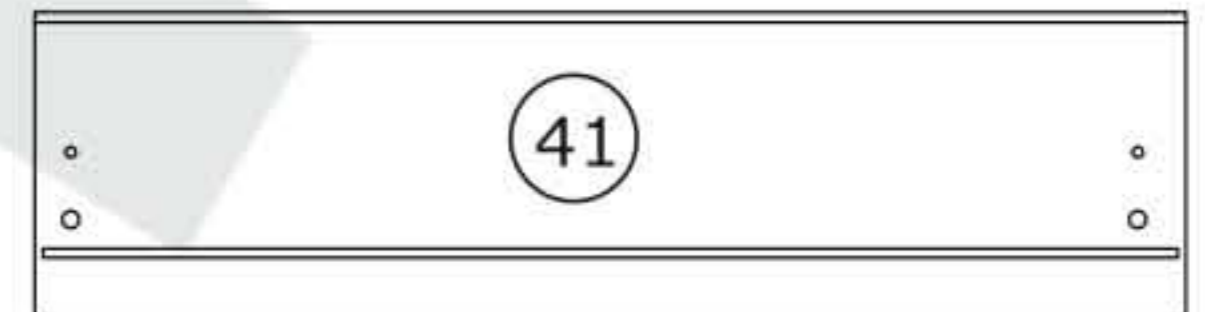
1107x500x16 mm



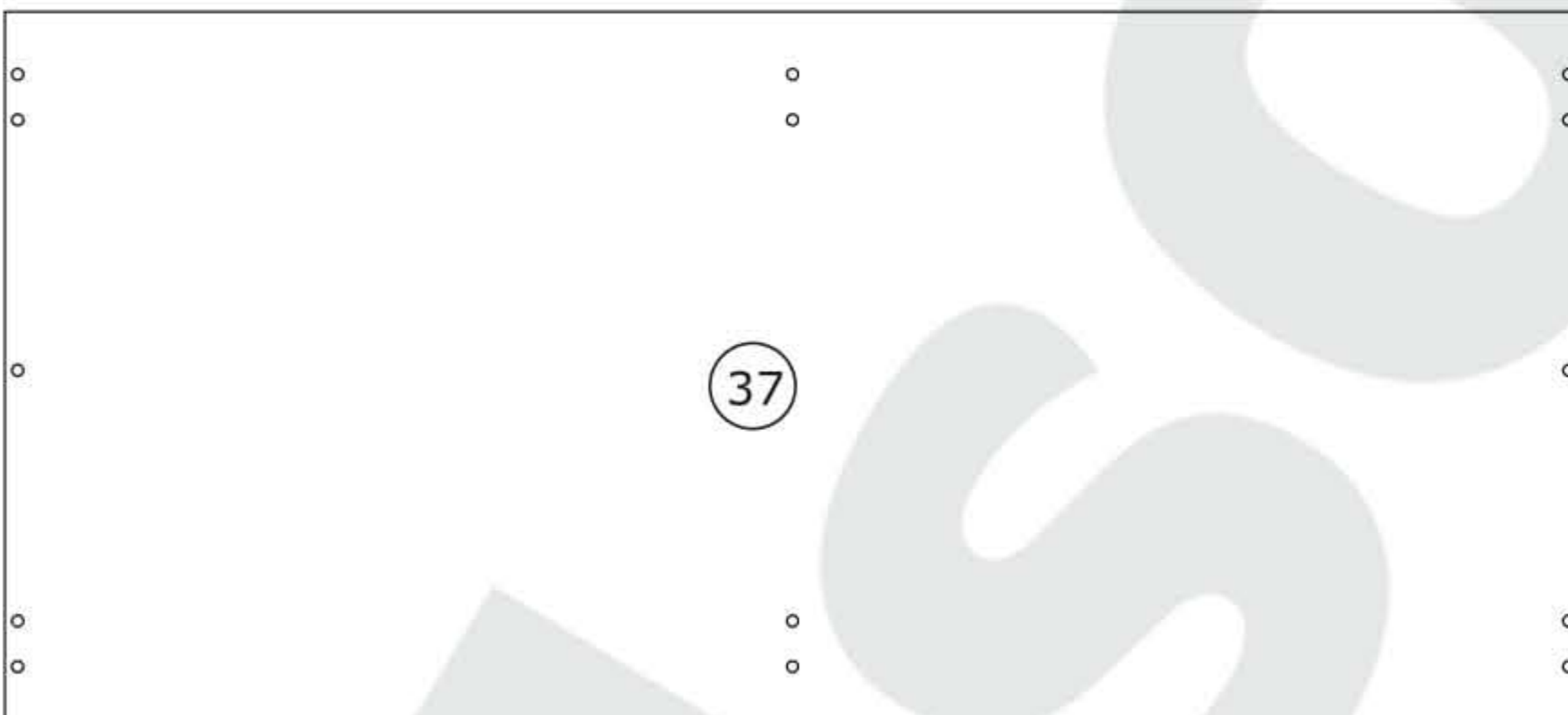
548x147x16 mm



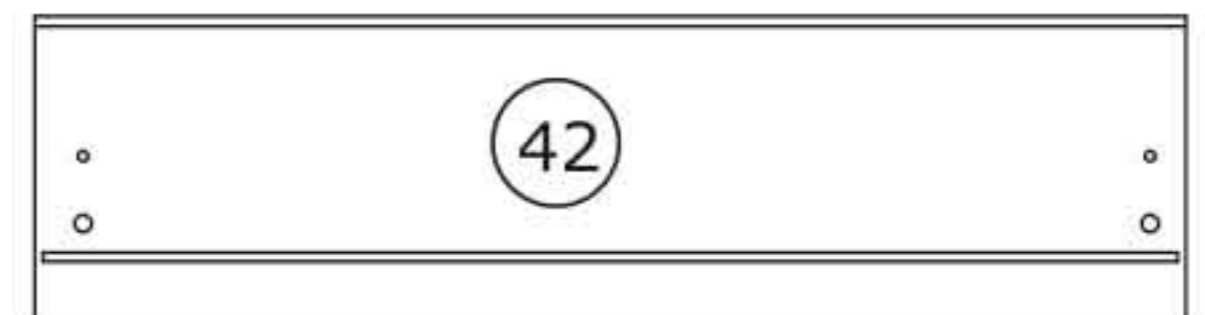
548x147x16 mm



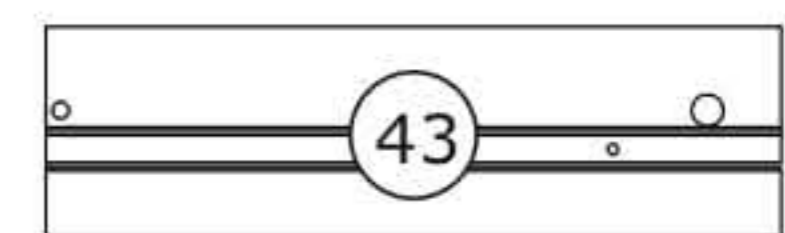
548x147x16 mm



1107x500x16 mm

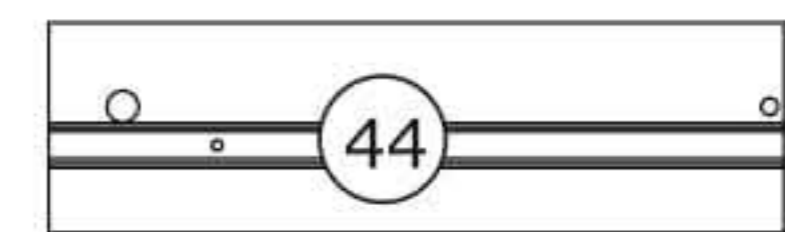


548x147x16 mm



350x100x12 mm

x4



350x100x12 mm

x4

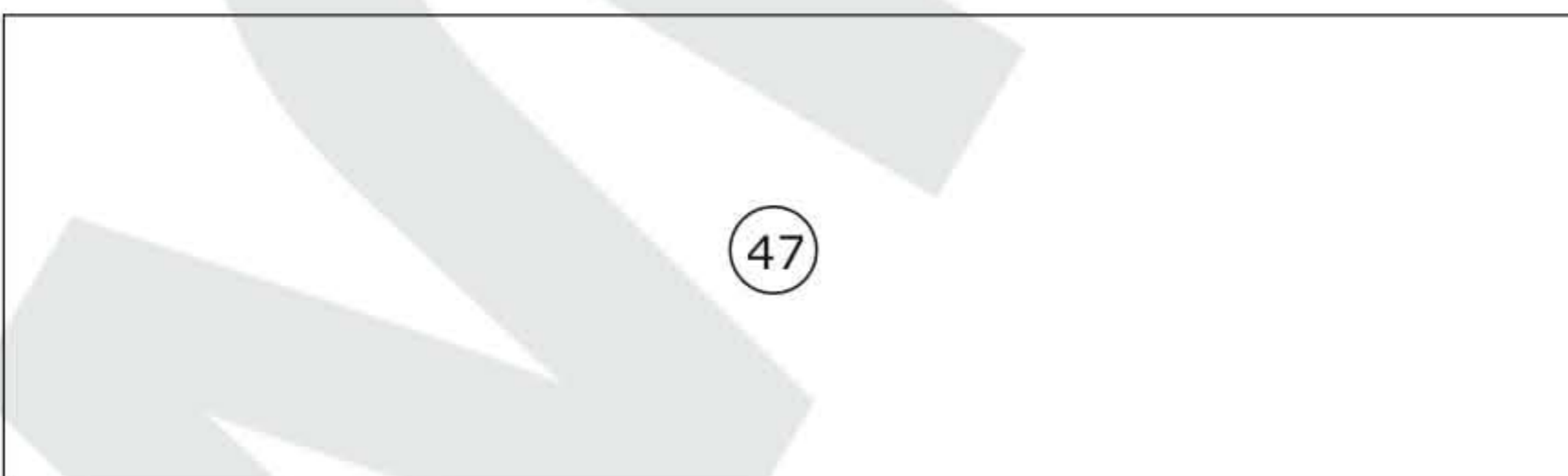


528,5x50x16 mm

x2

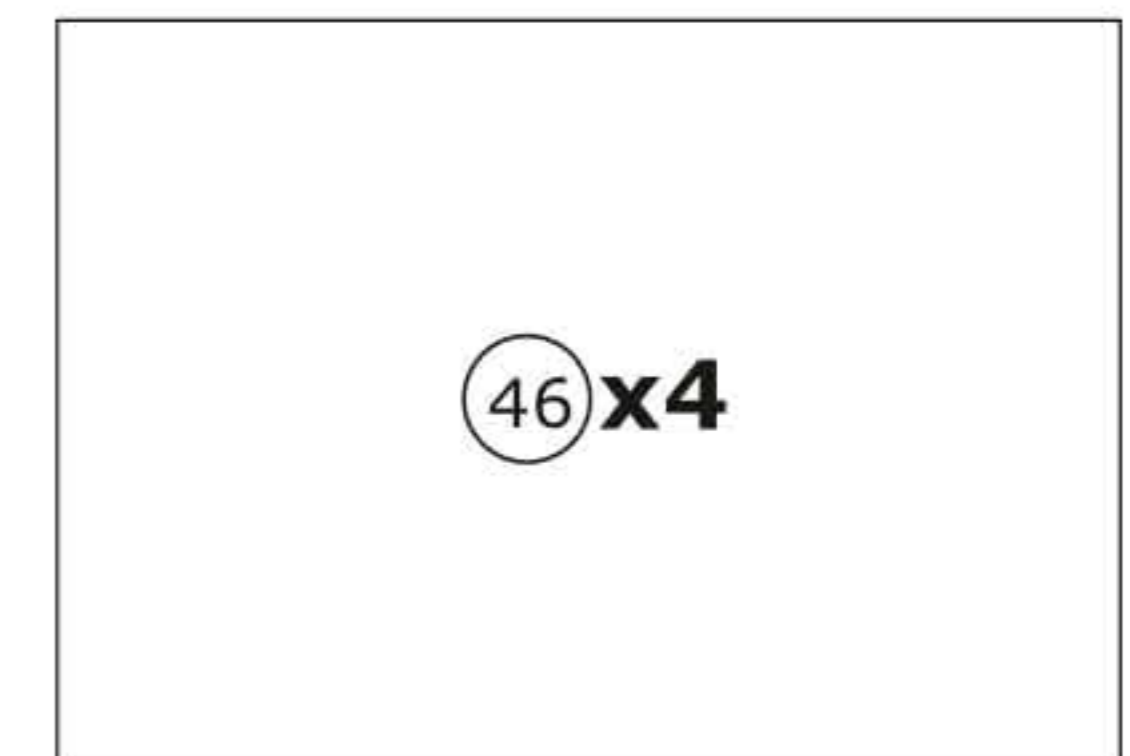


496x85x12 mm



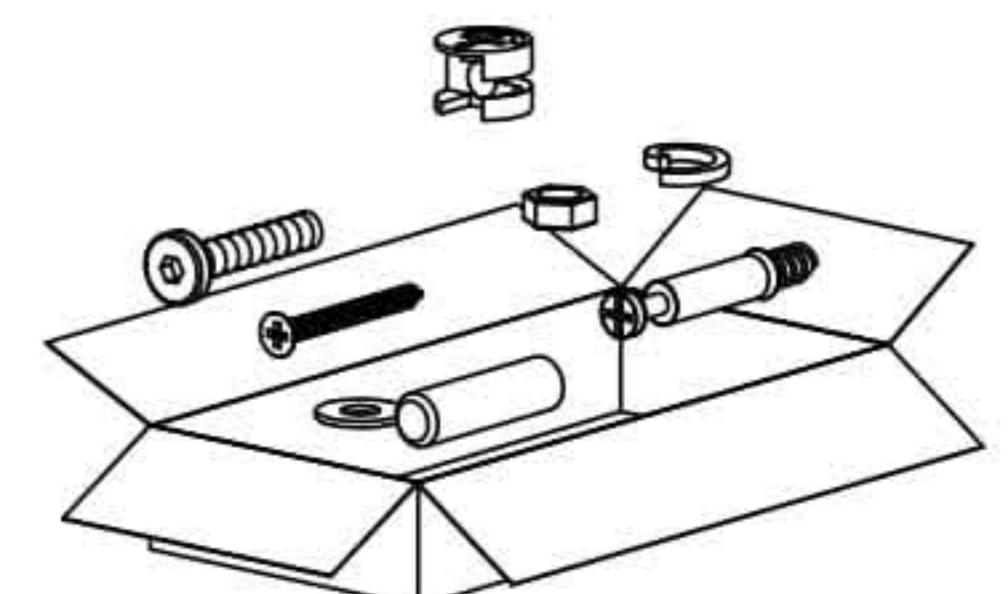
1099x326x3 mm

x4



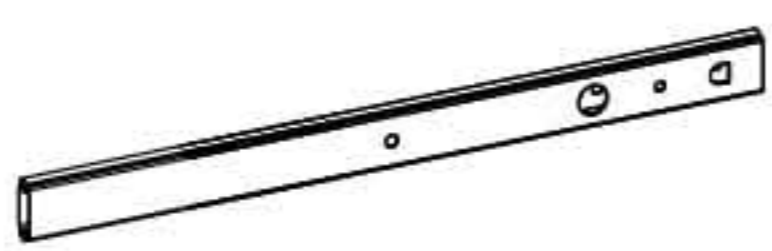



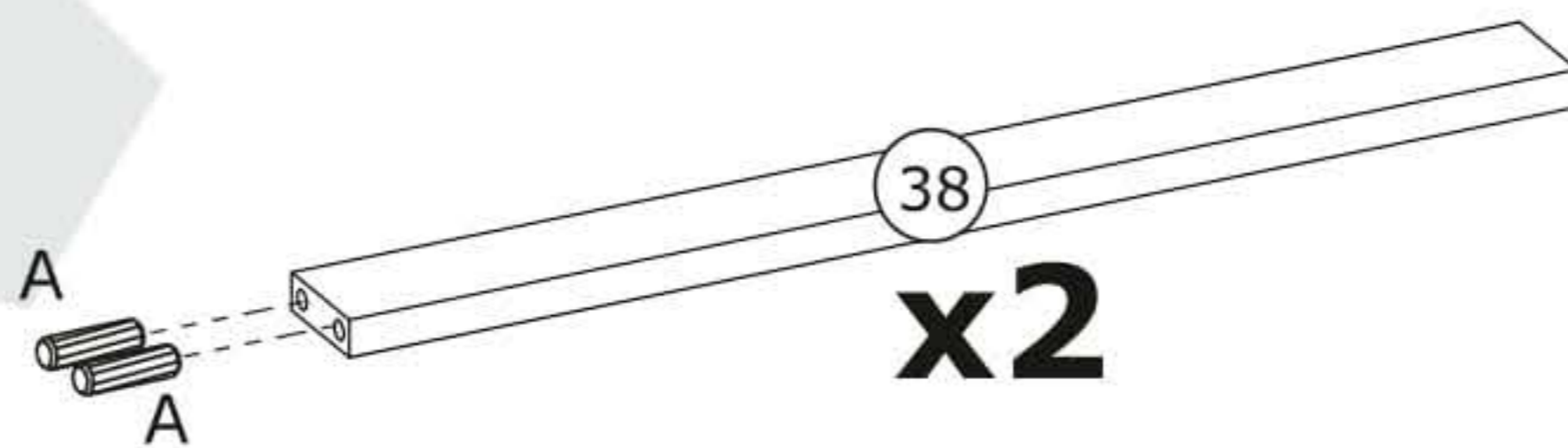
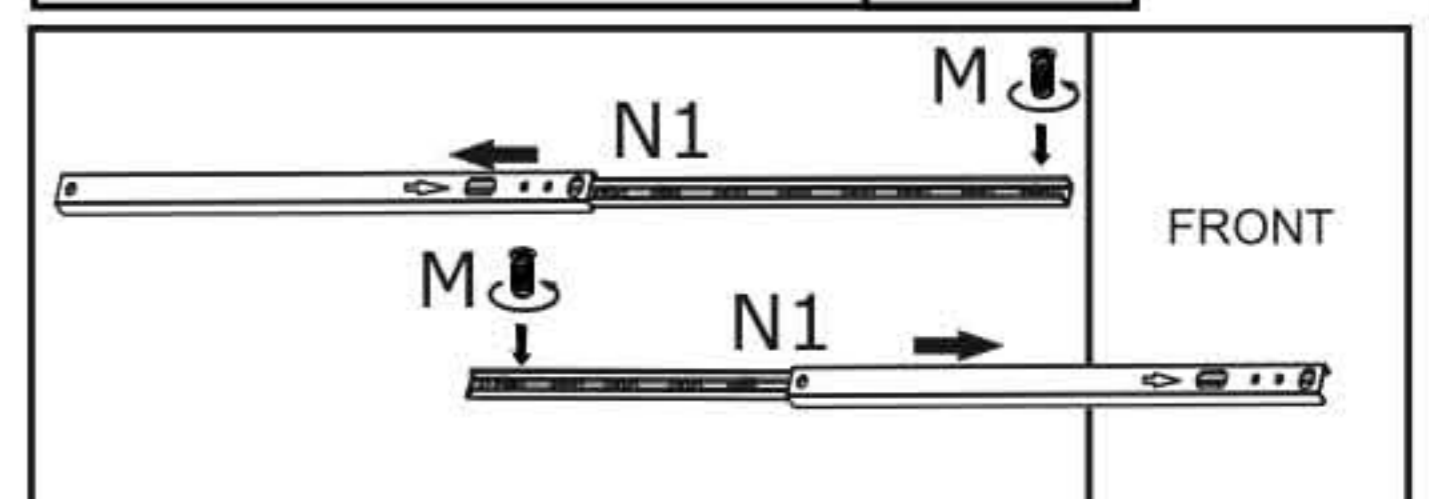
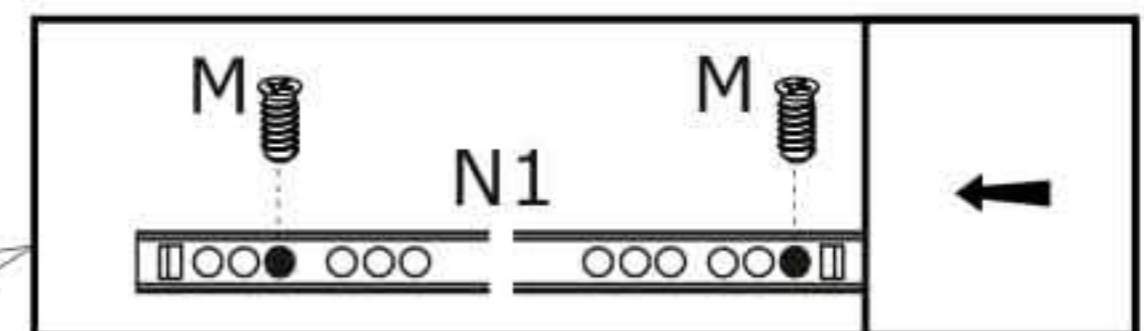
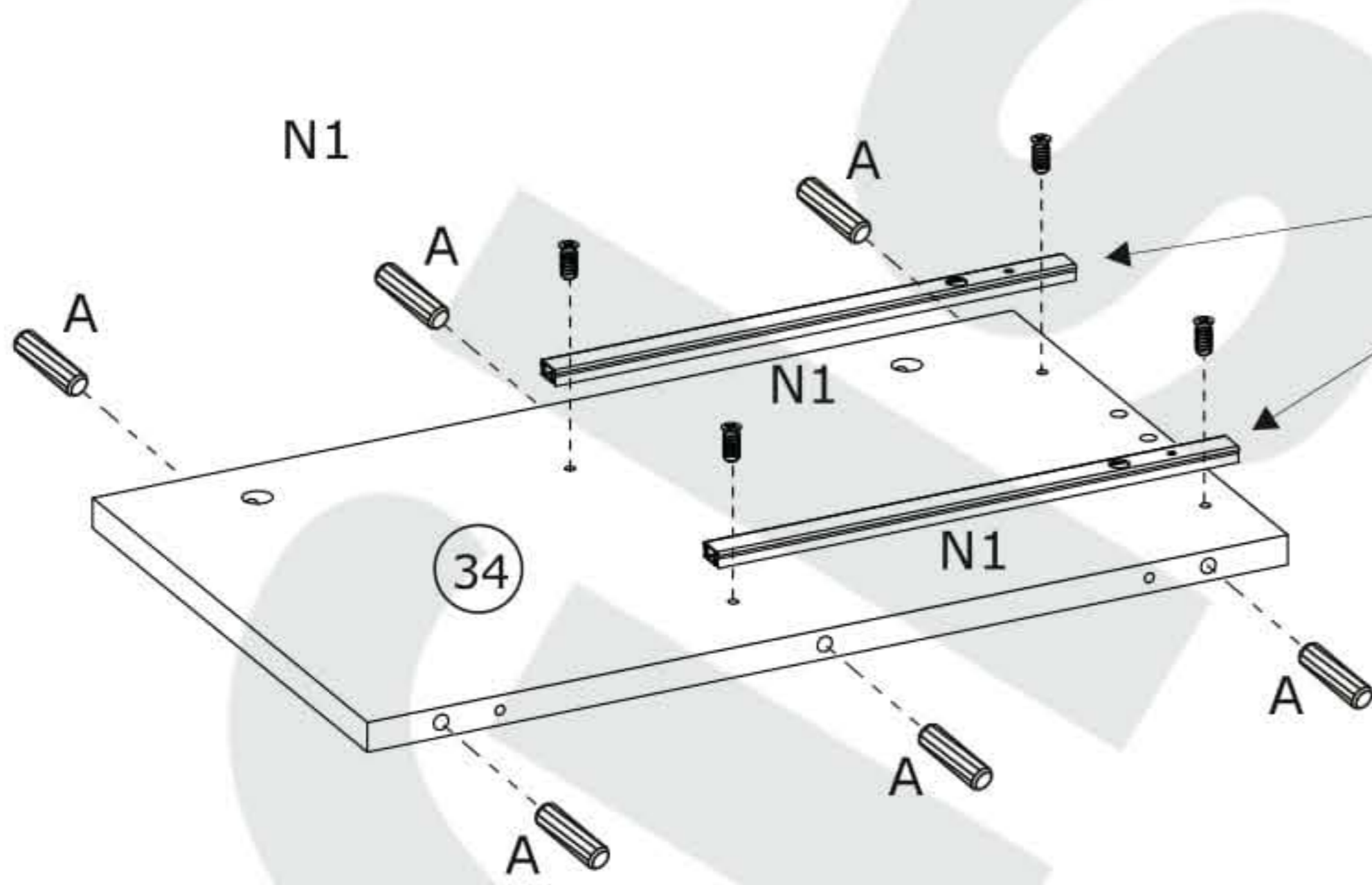
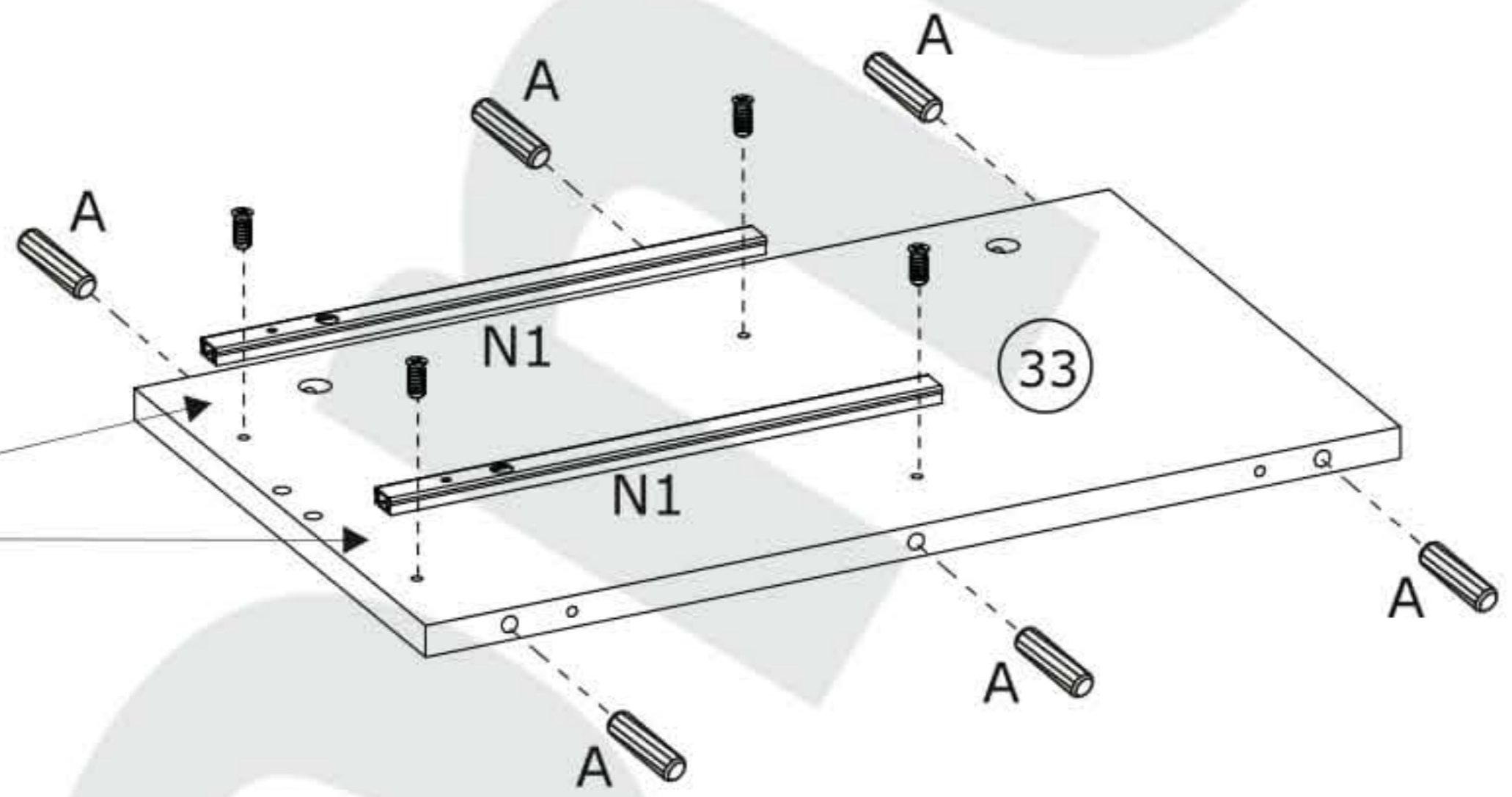
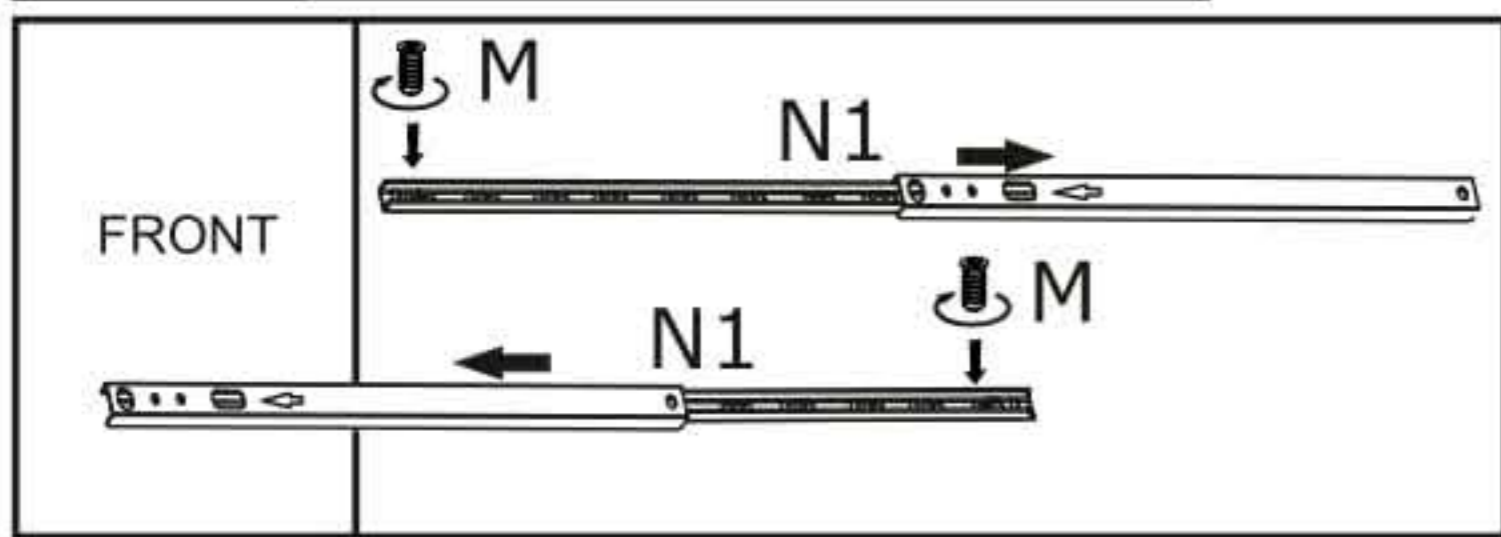
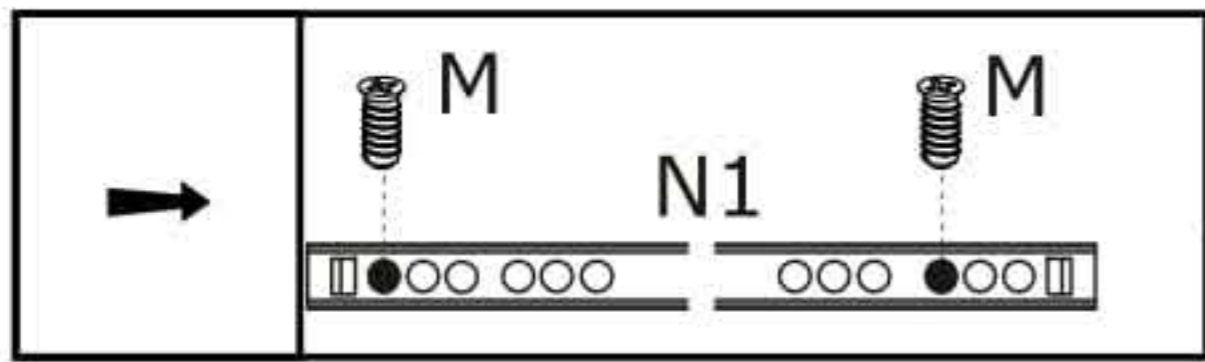
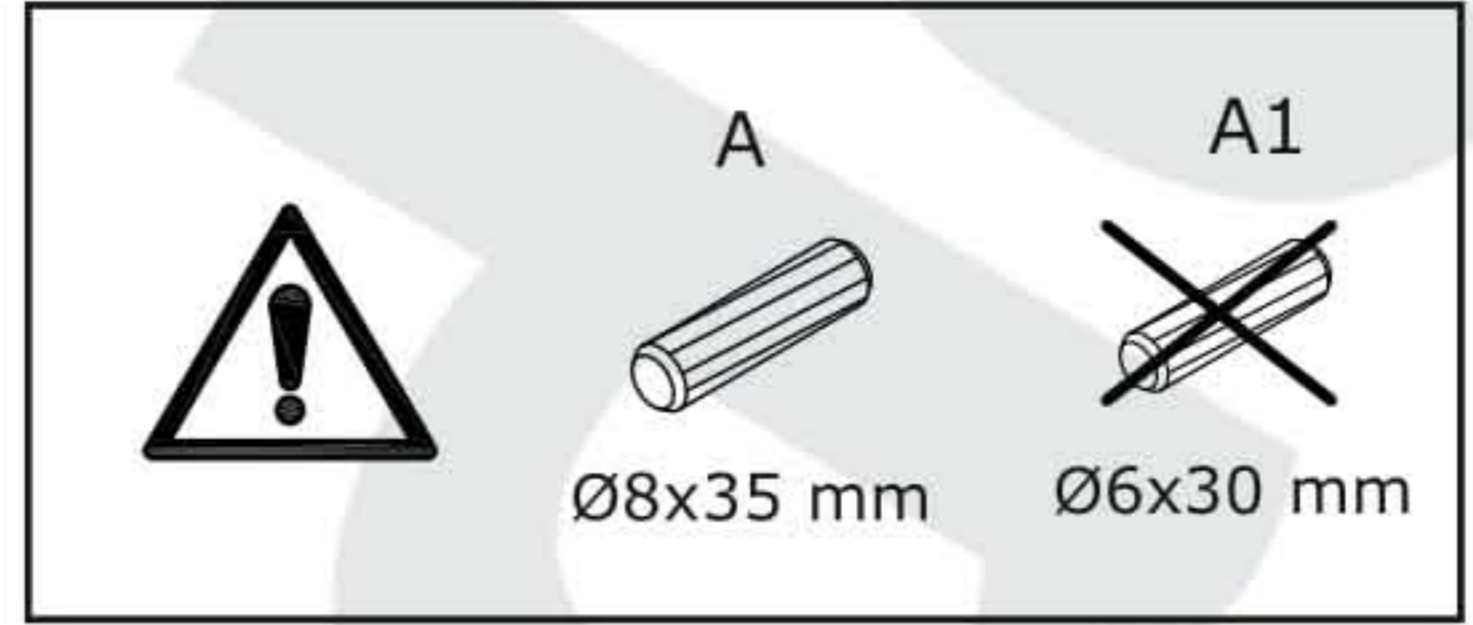
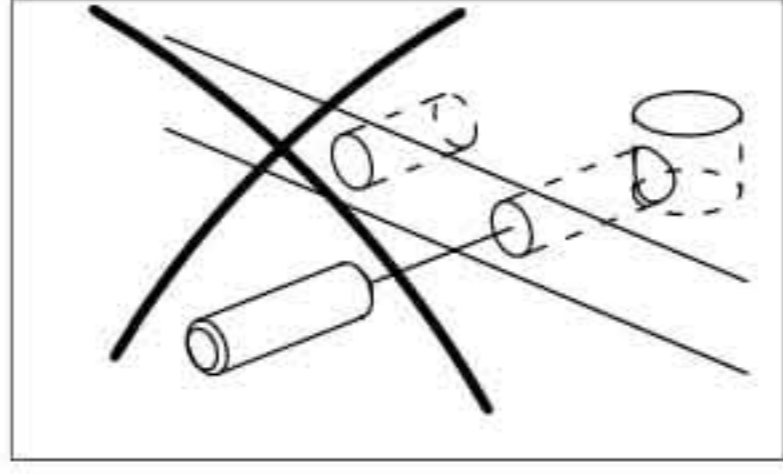
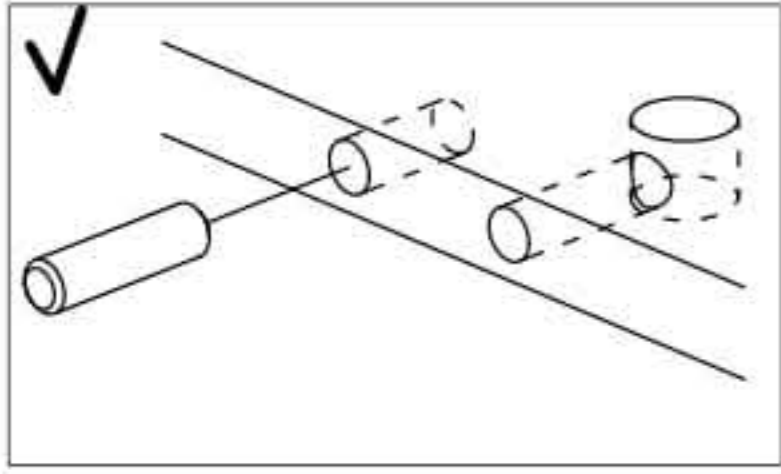
506x357x3 mm

x4




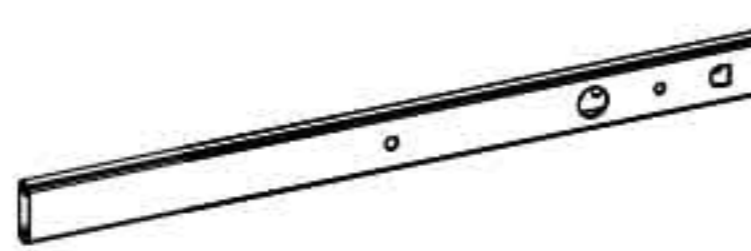



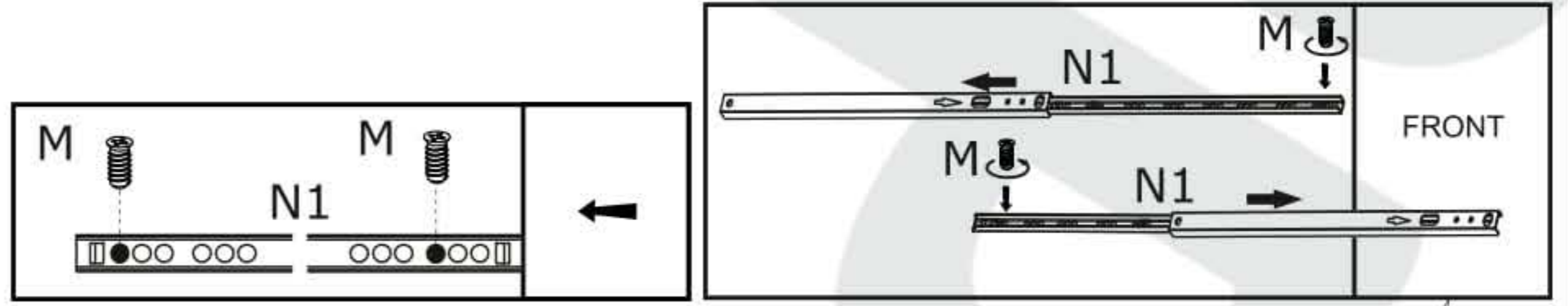
1

A x 16  Ø8x35 mm	M x 8  Ø6,3x13 mm	N1 x 4  310 mm	
---	--	--	---

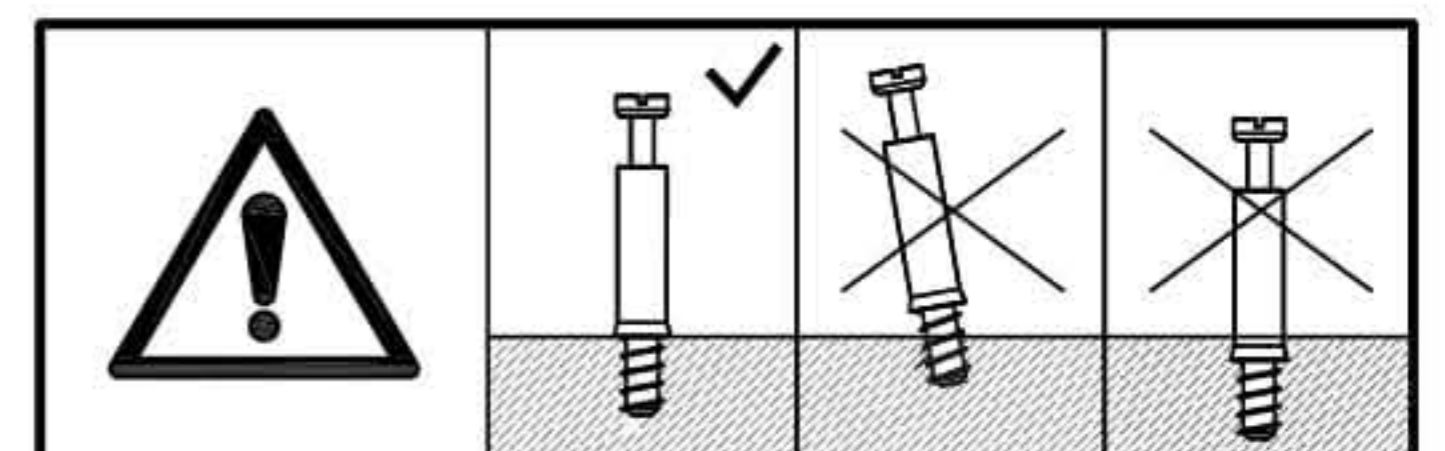
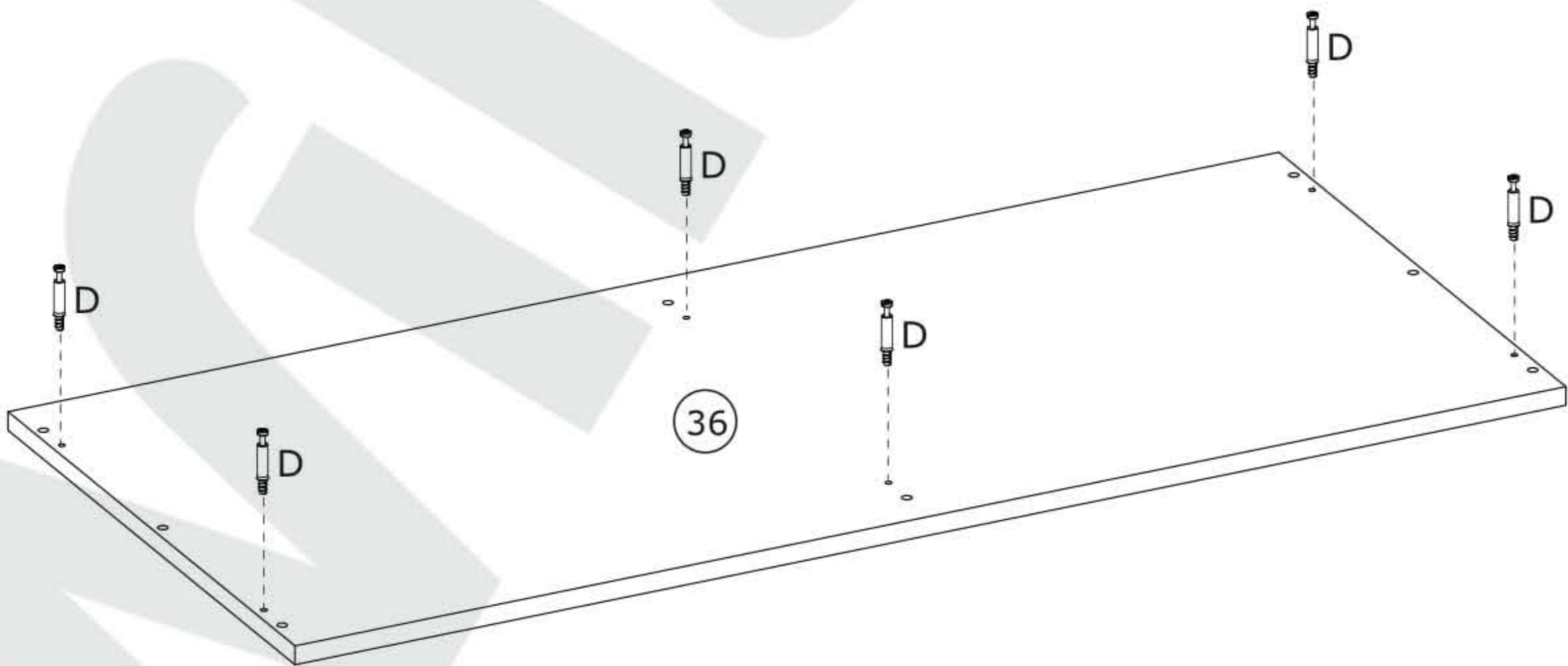
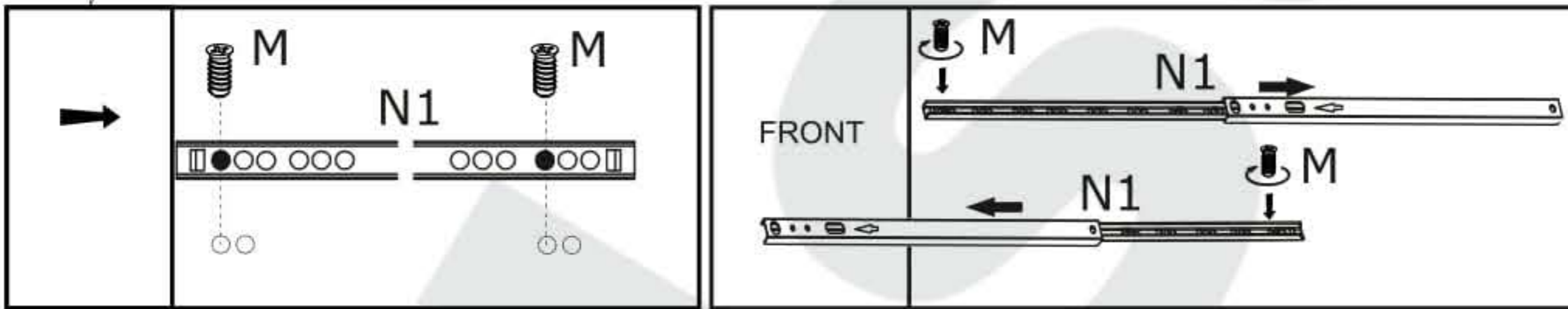
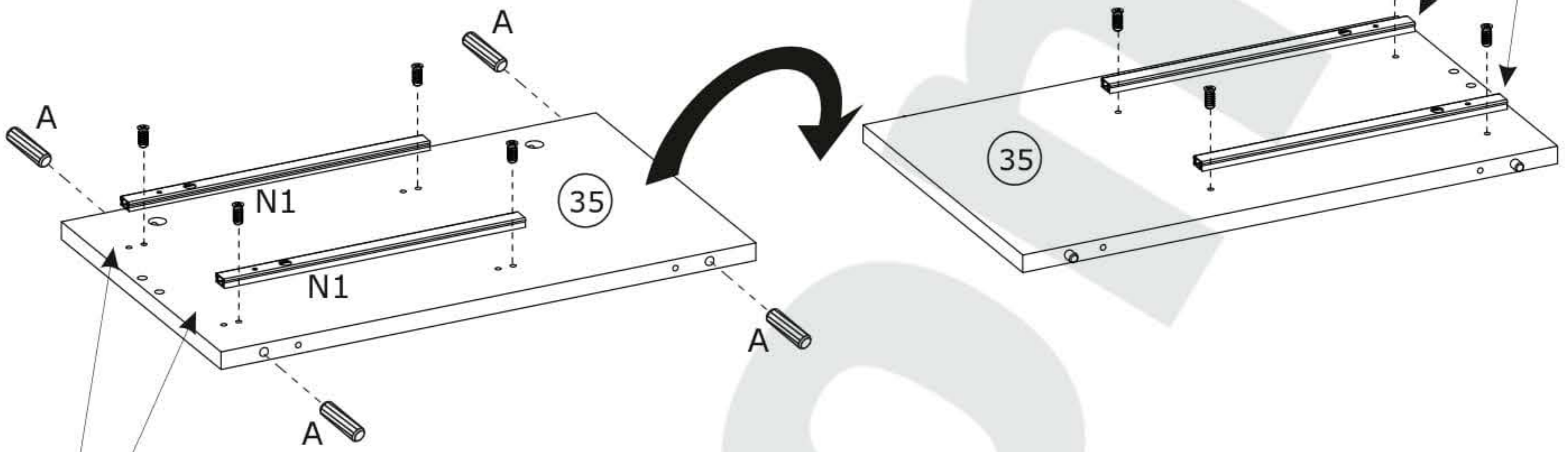


2

A x 4  Ø8x35 mm	D x 6  Ø5x44 mm	M x 8  Ø6,3x13 mm	N1 x 4  310 mm	
--	--	--	---	---

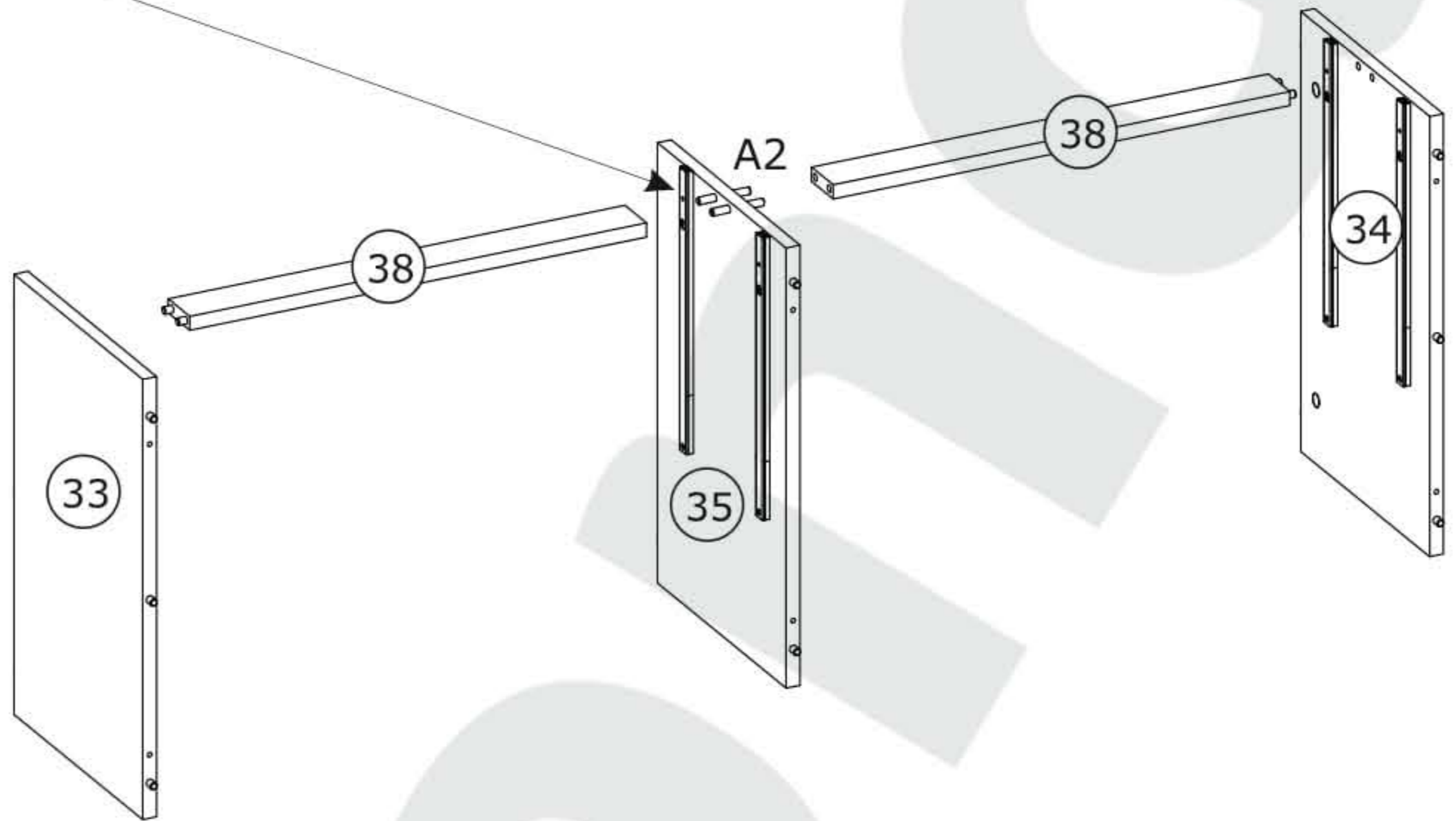
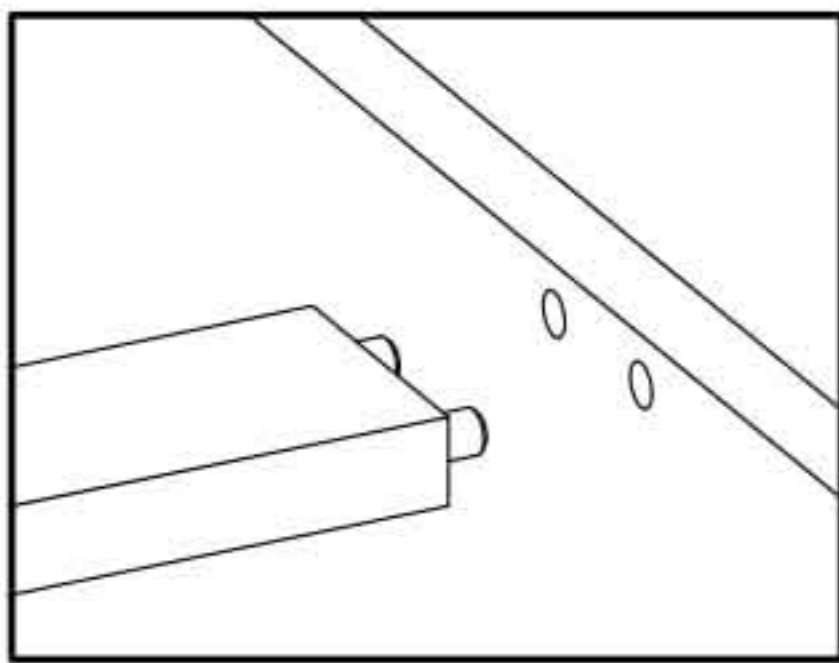
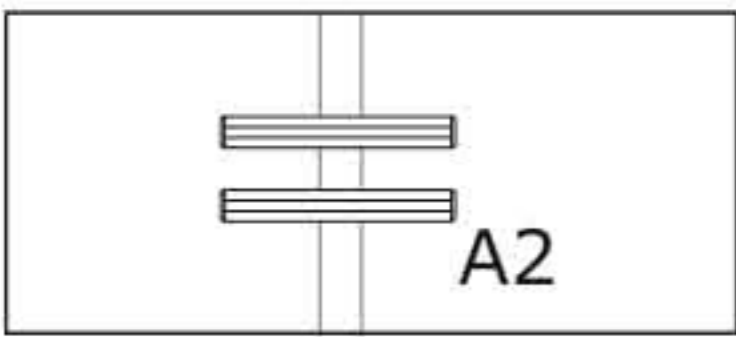
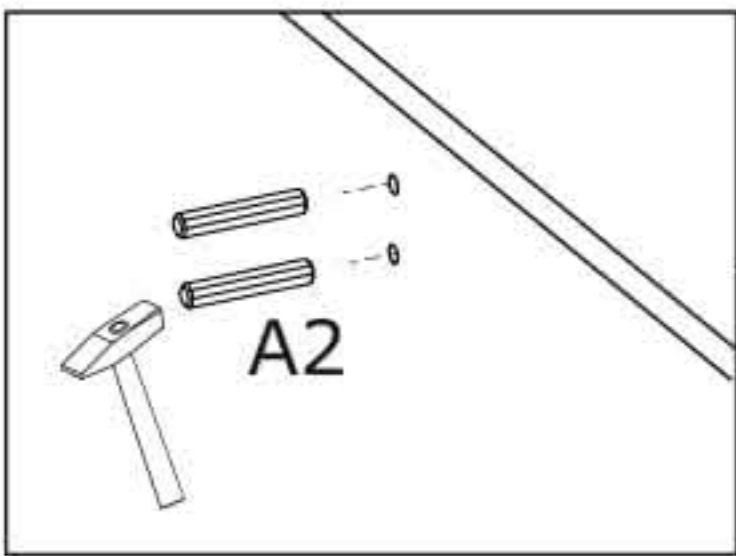
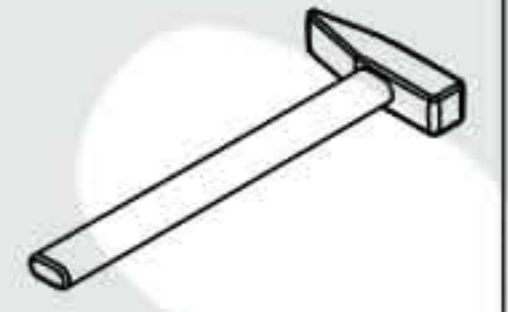


!!!



3

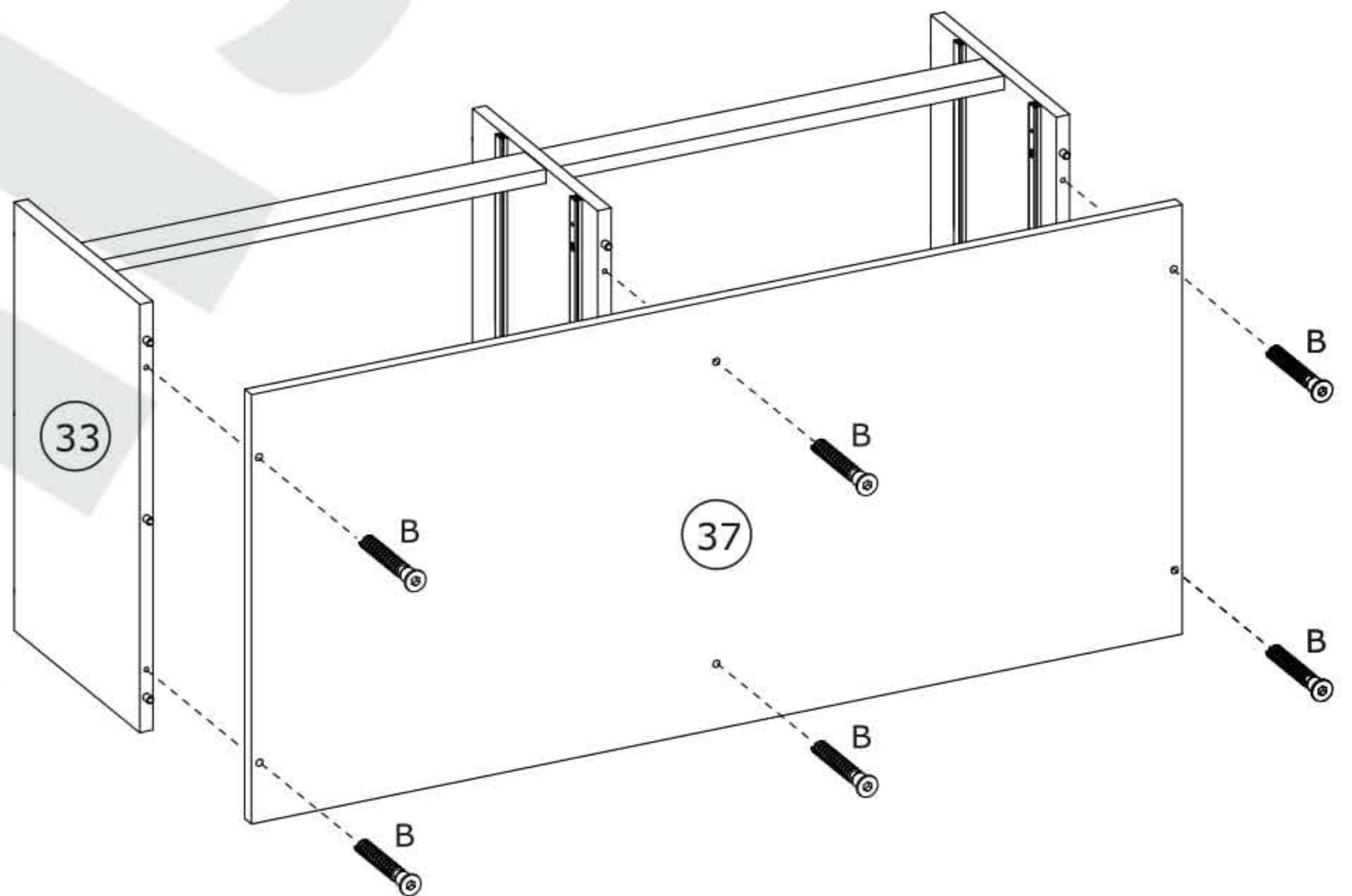
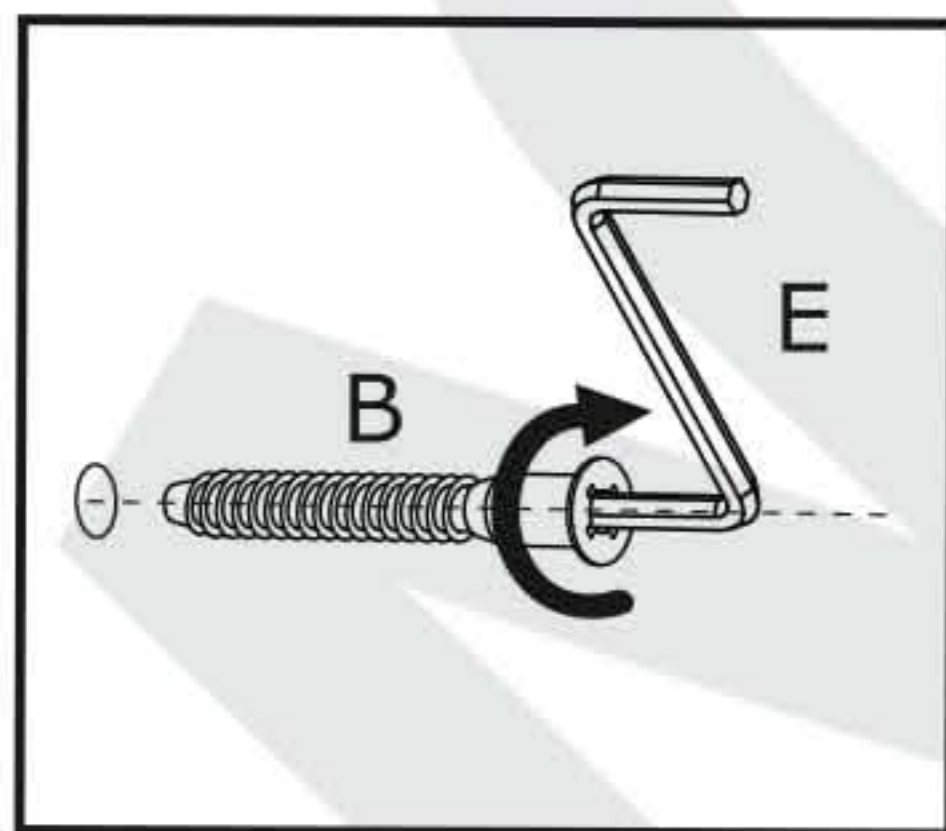
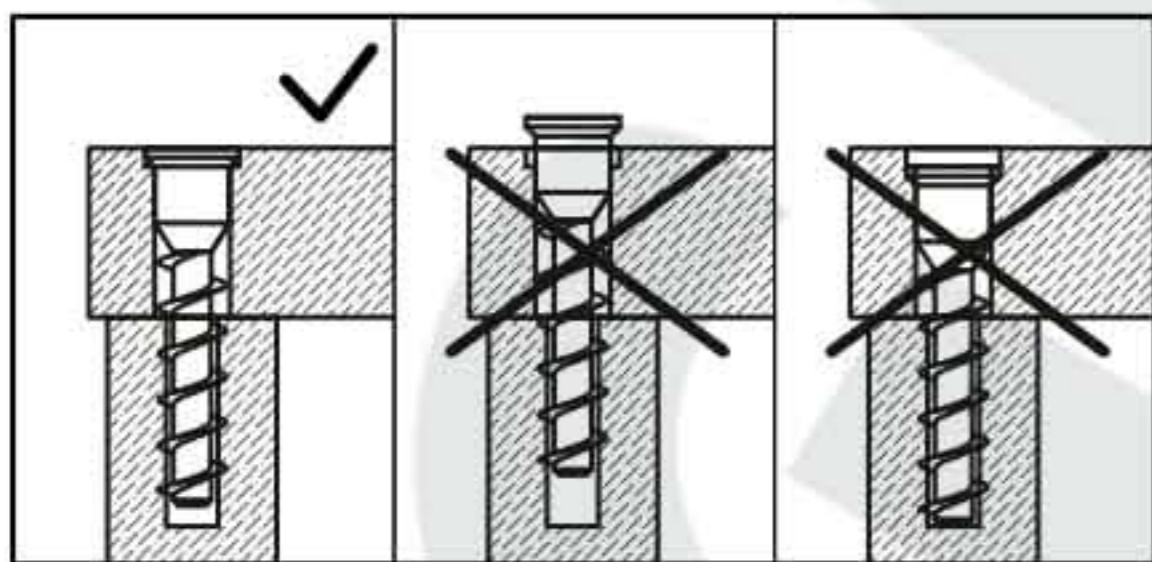
A2 x 2
Ø8x60 mm



4

B x 6
Ø7x50 mm

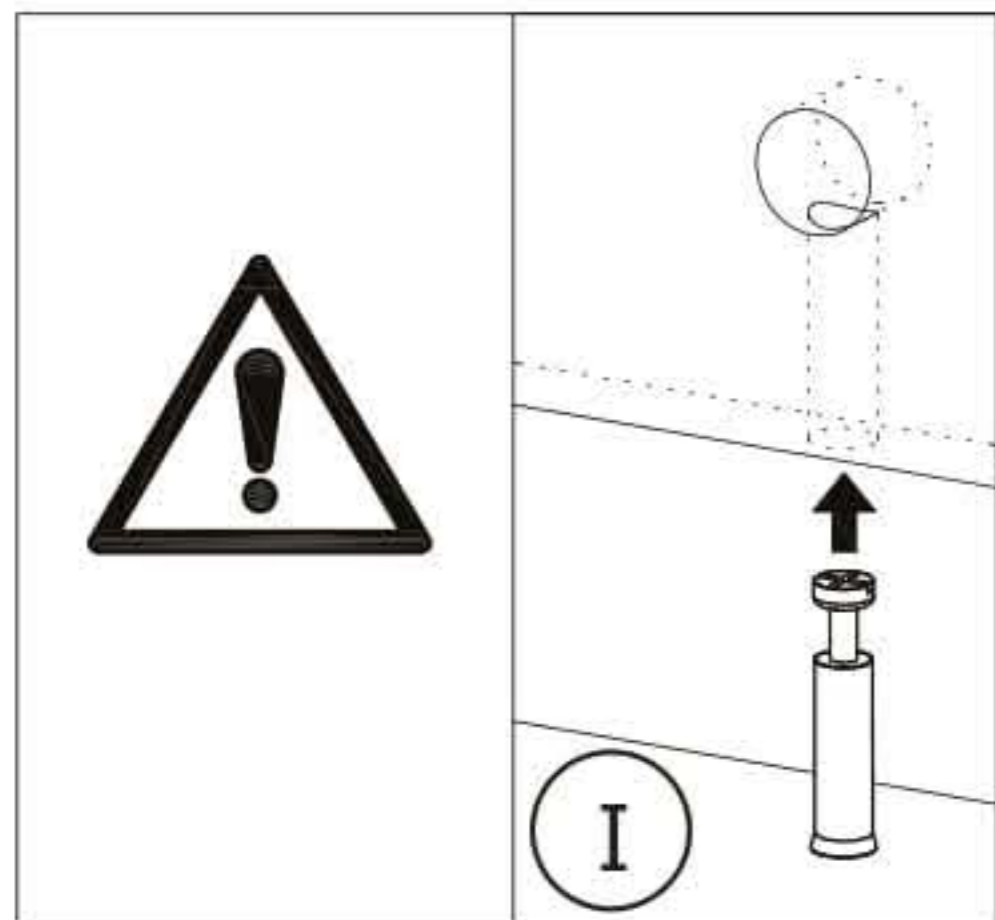
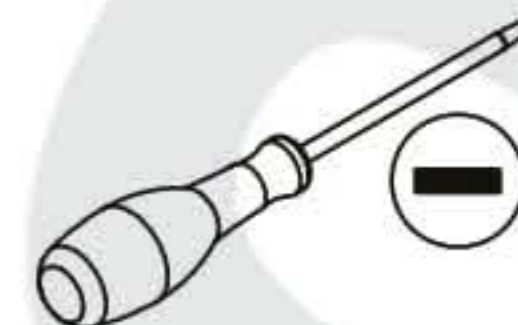
E x 1
4 mm



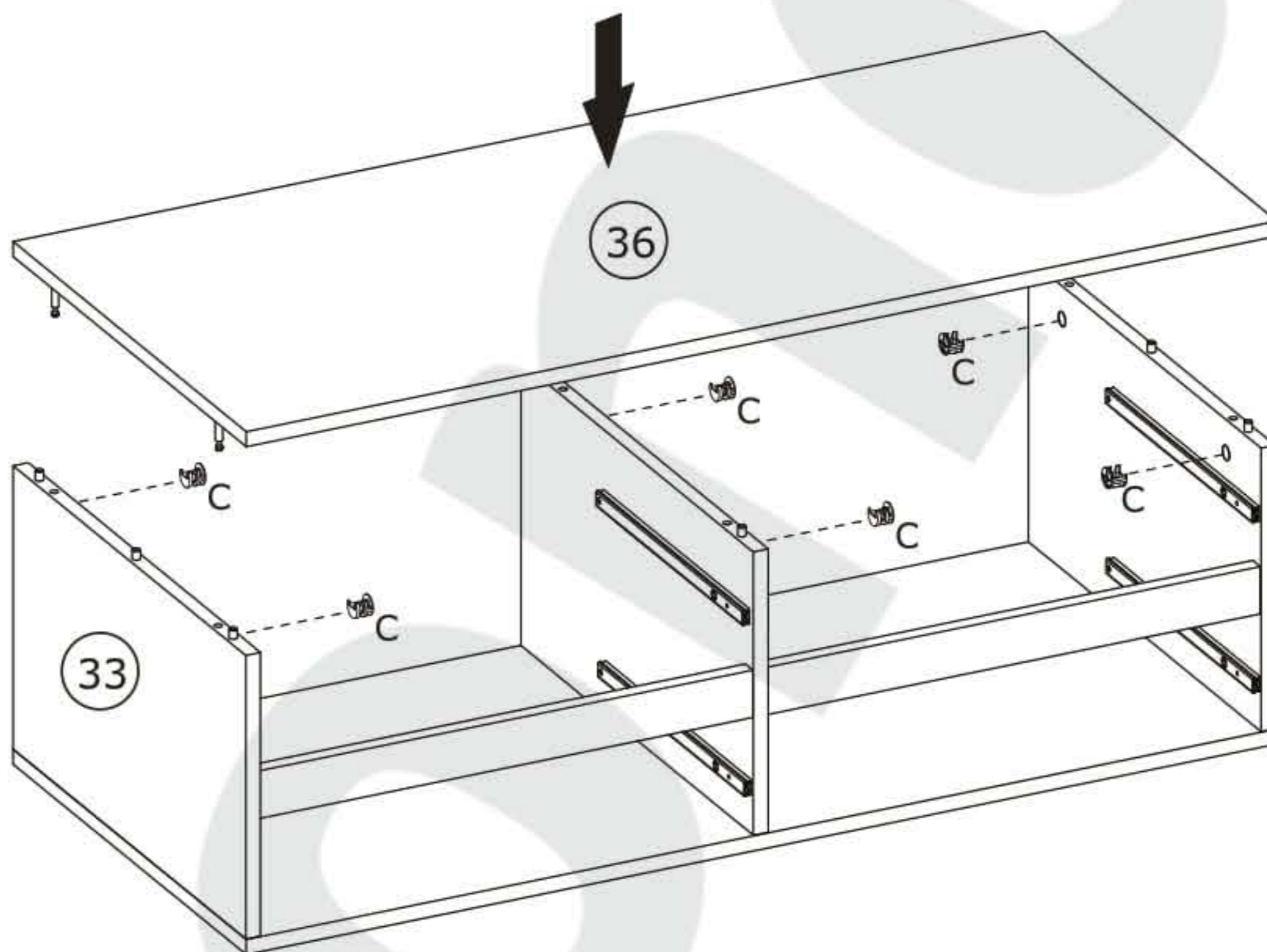
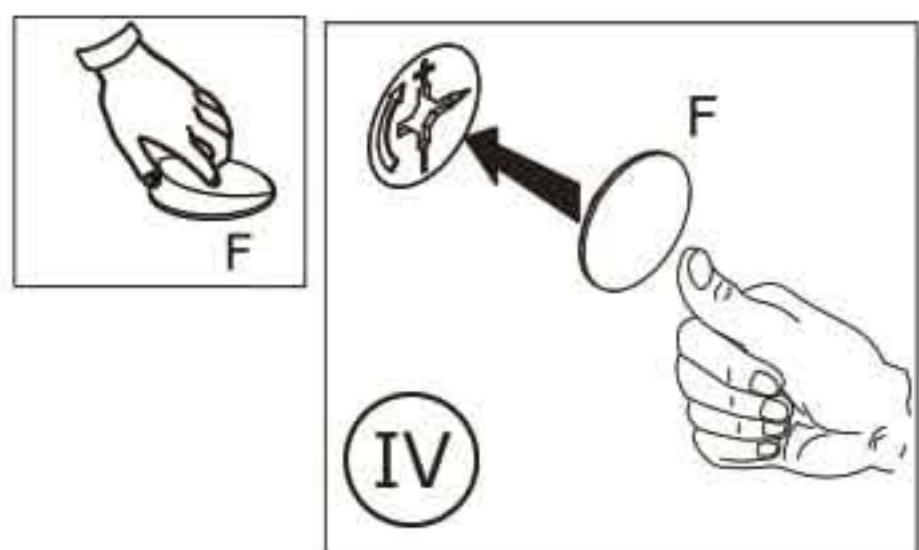
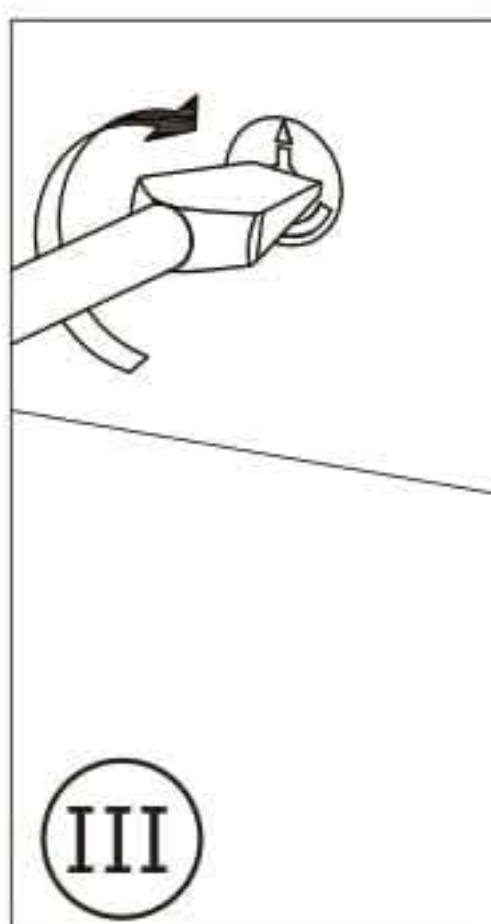
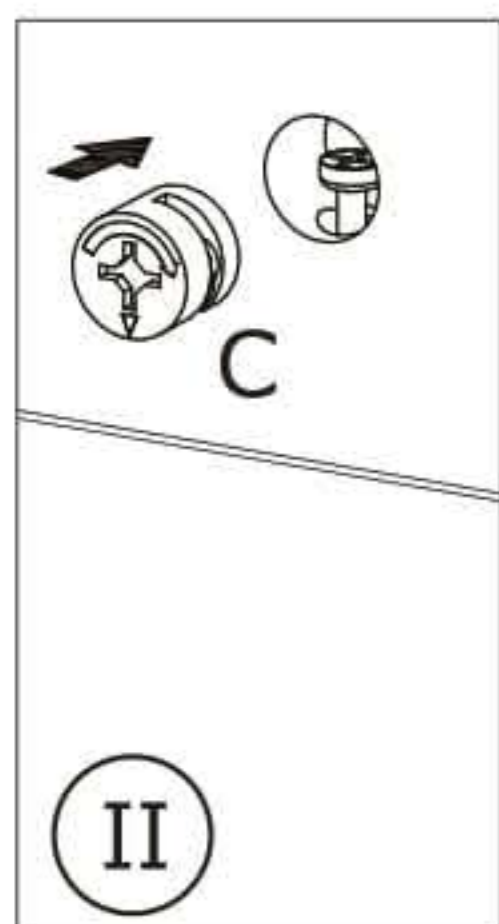
5

C x 6
Ø15x12 mm

F x 6
20 mm



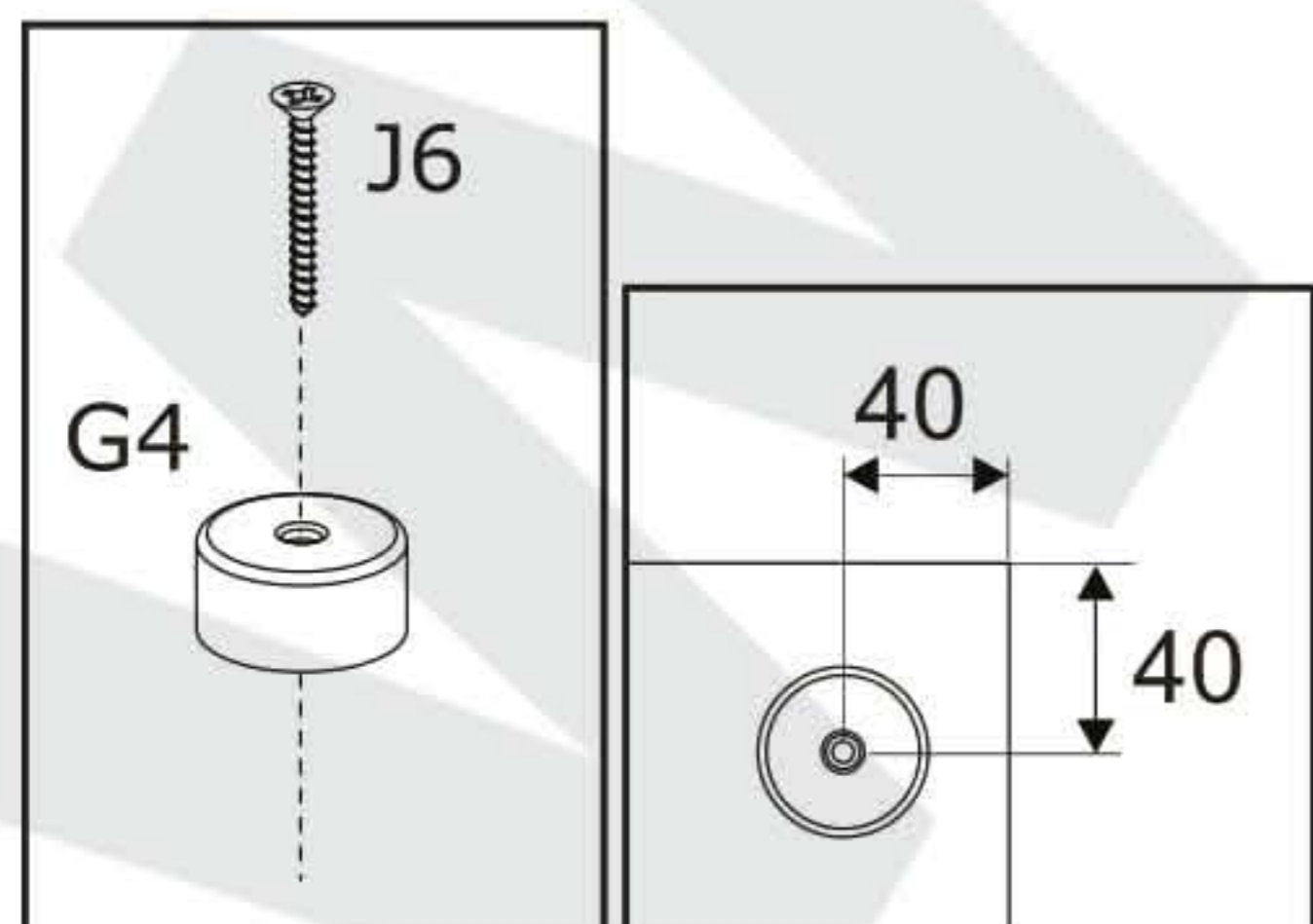
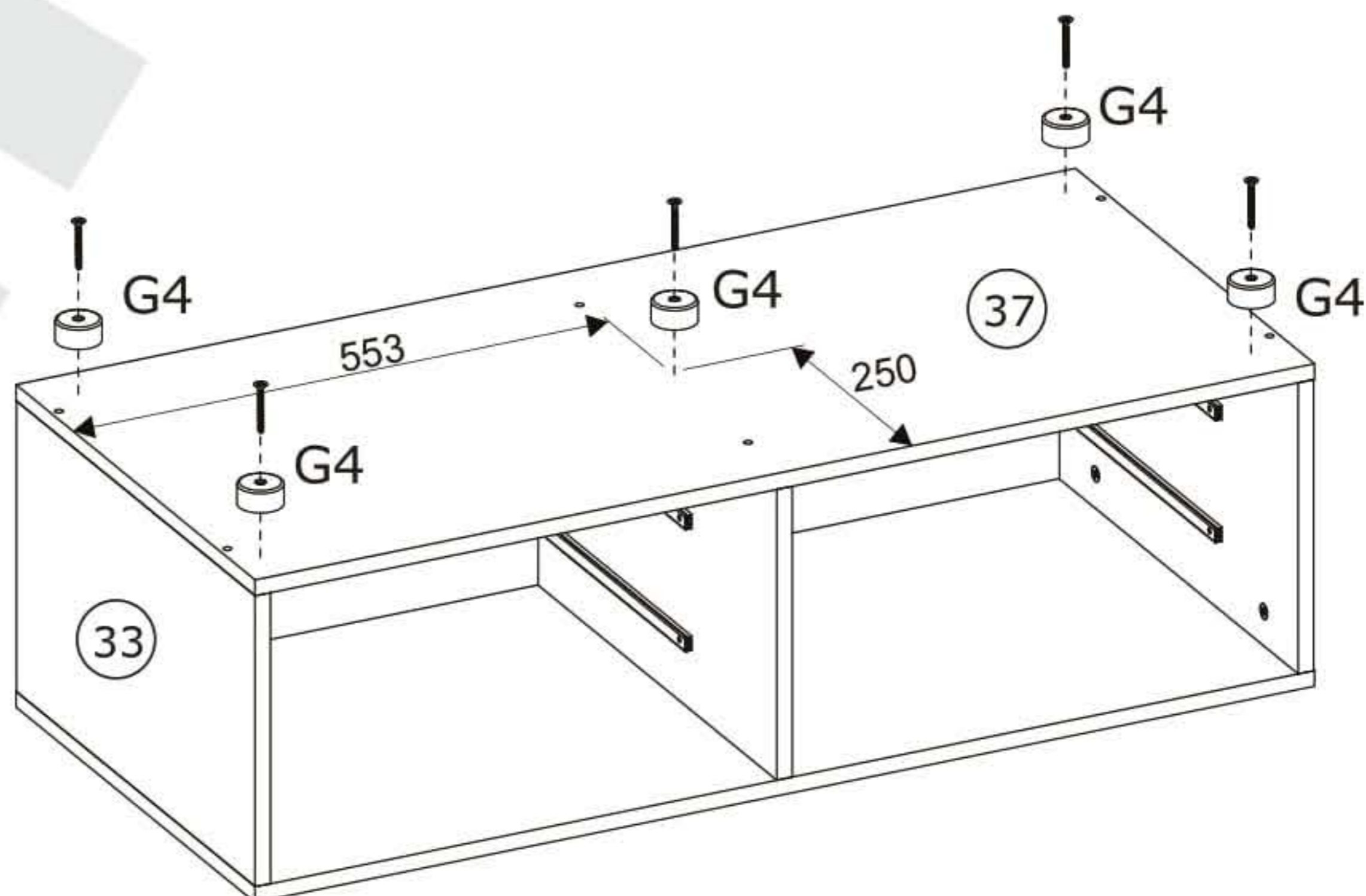
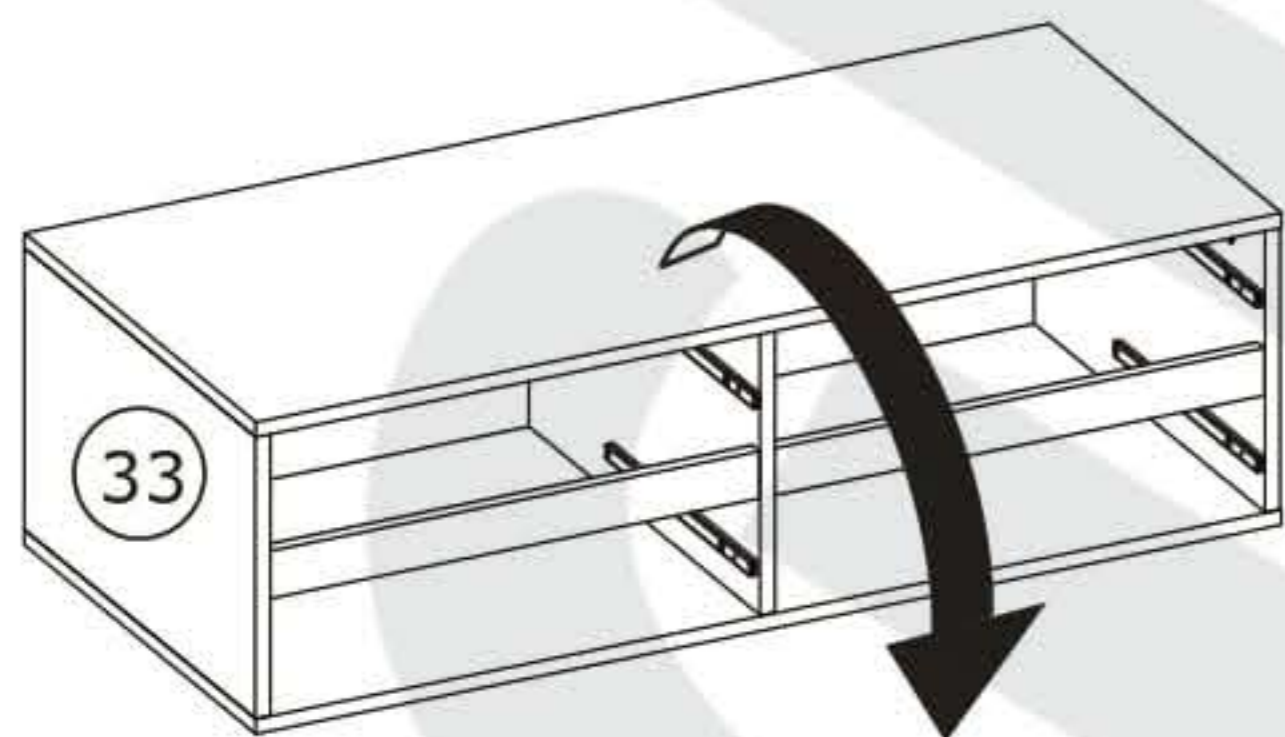
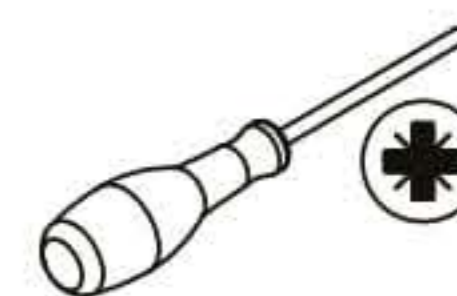
C C1
Ø15x12 mm Ø15x10 mm



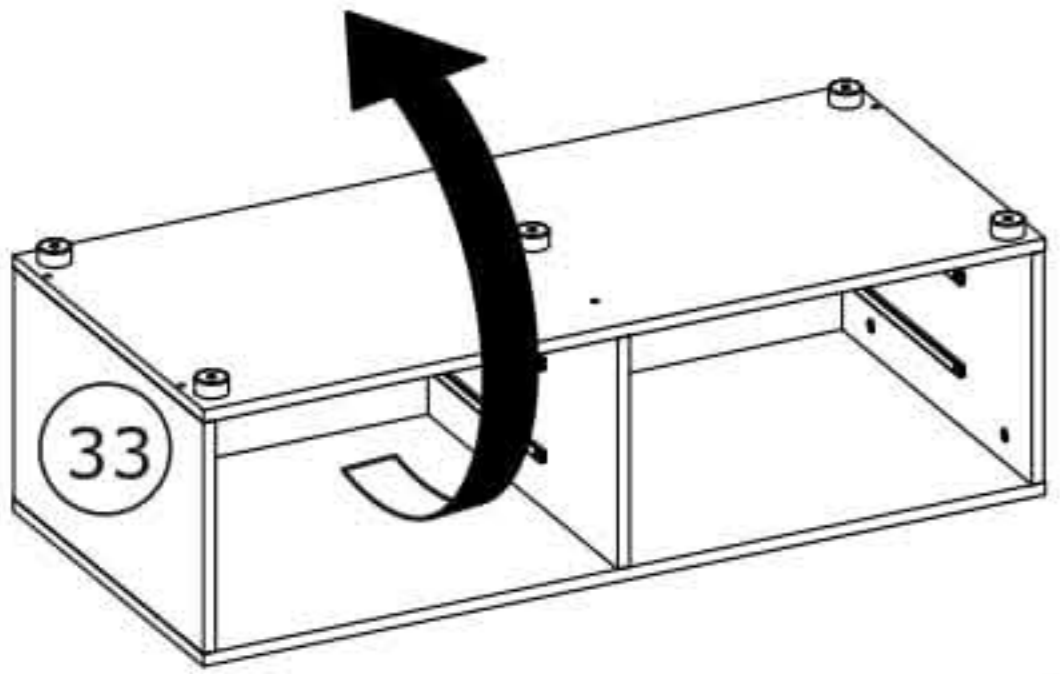
6

G4 x 5

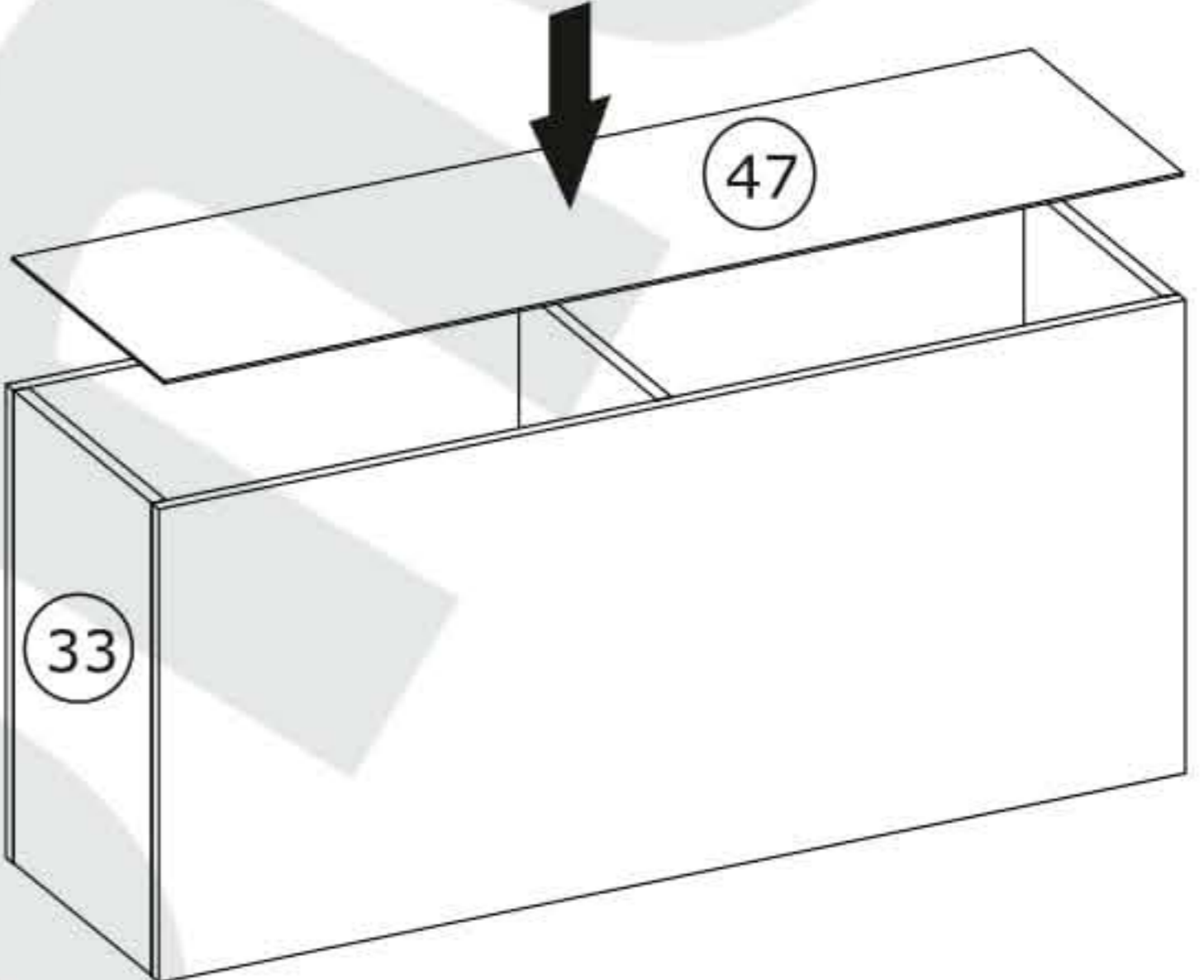
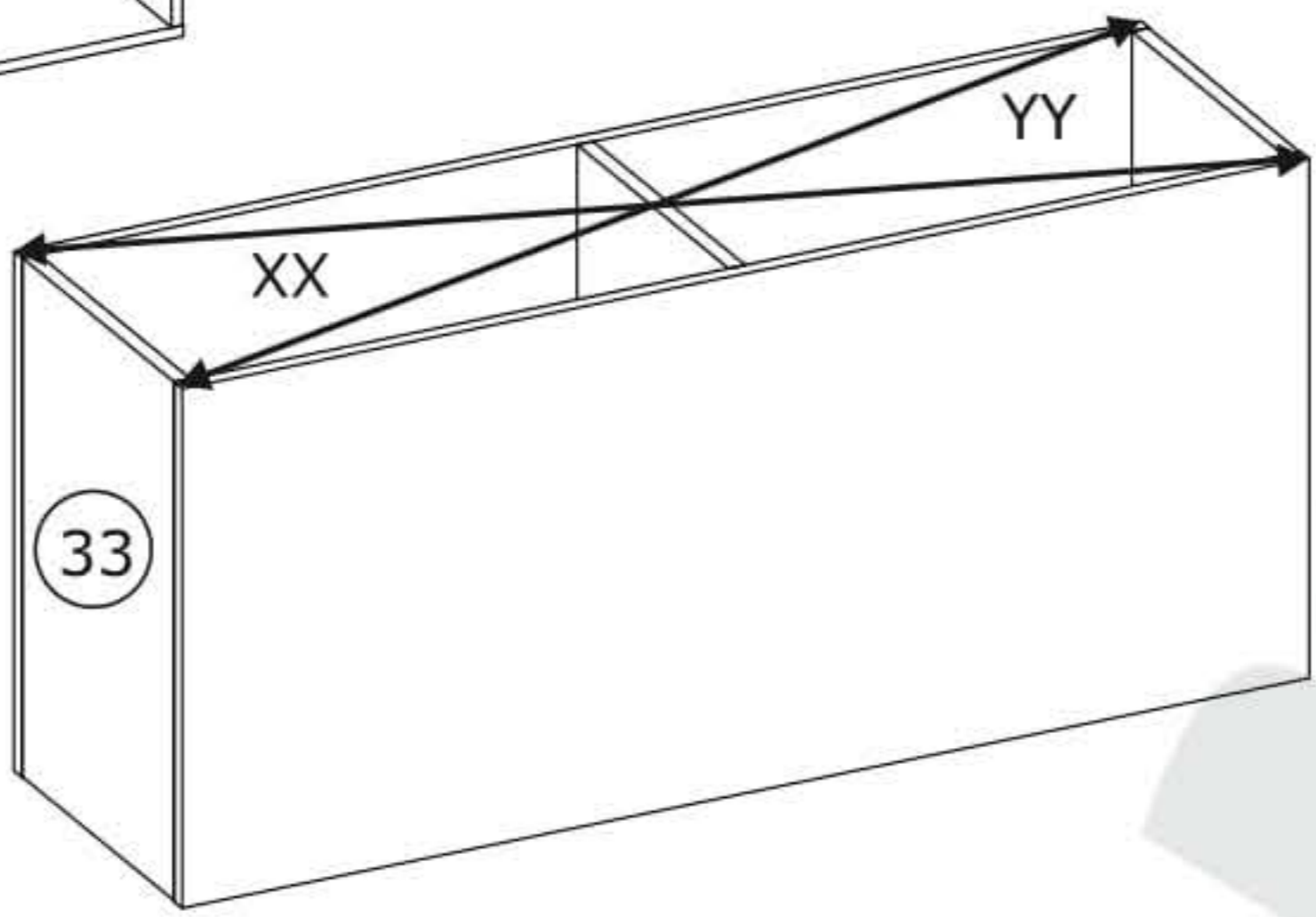
J6 x 5
4x30 mm



7



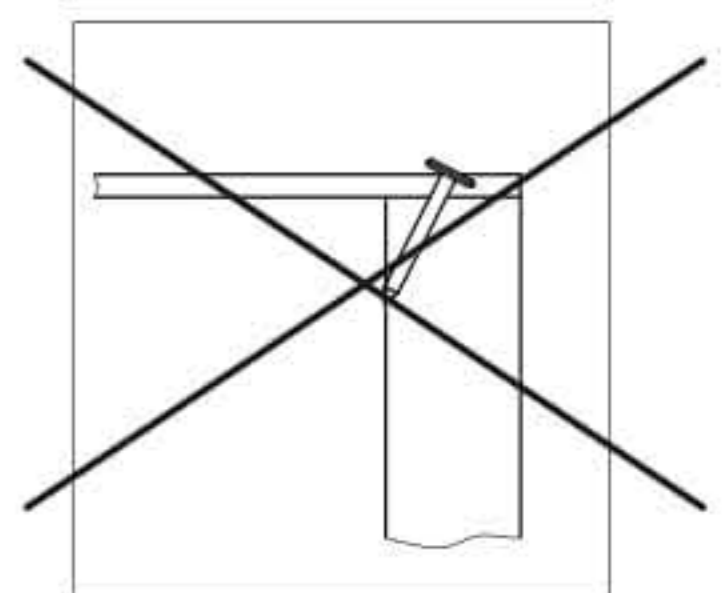
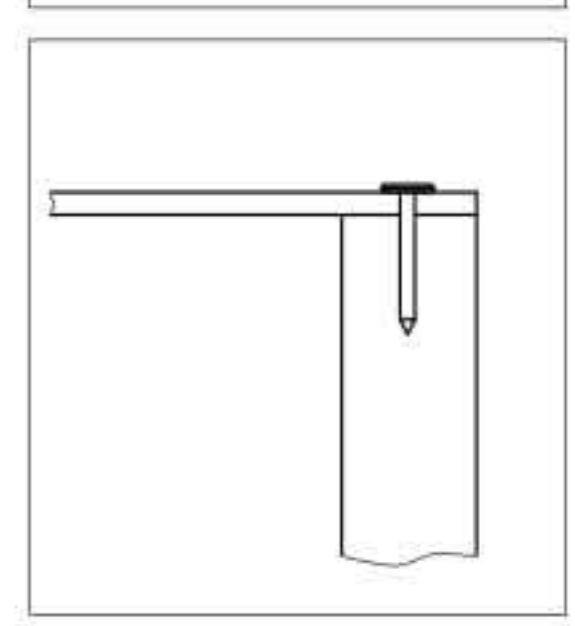
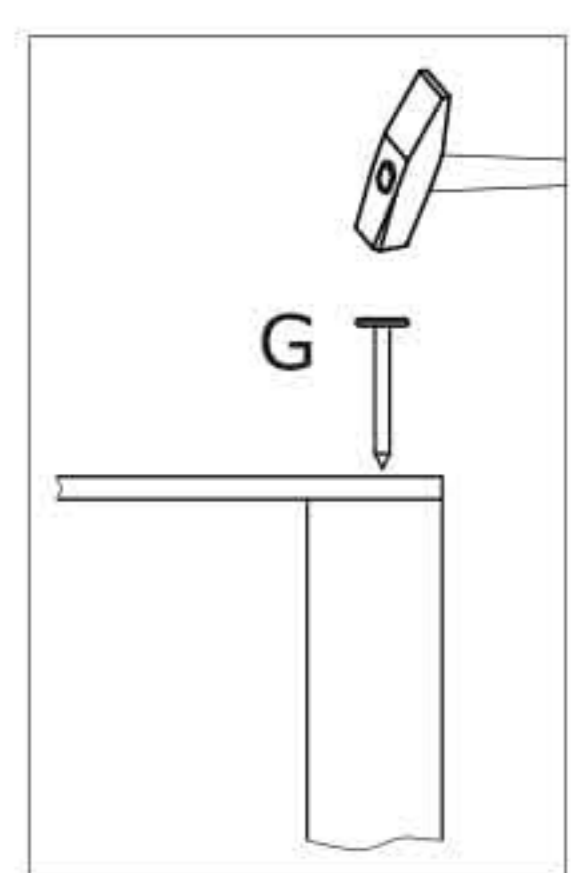
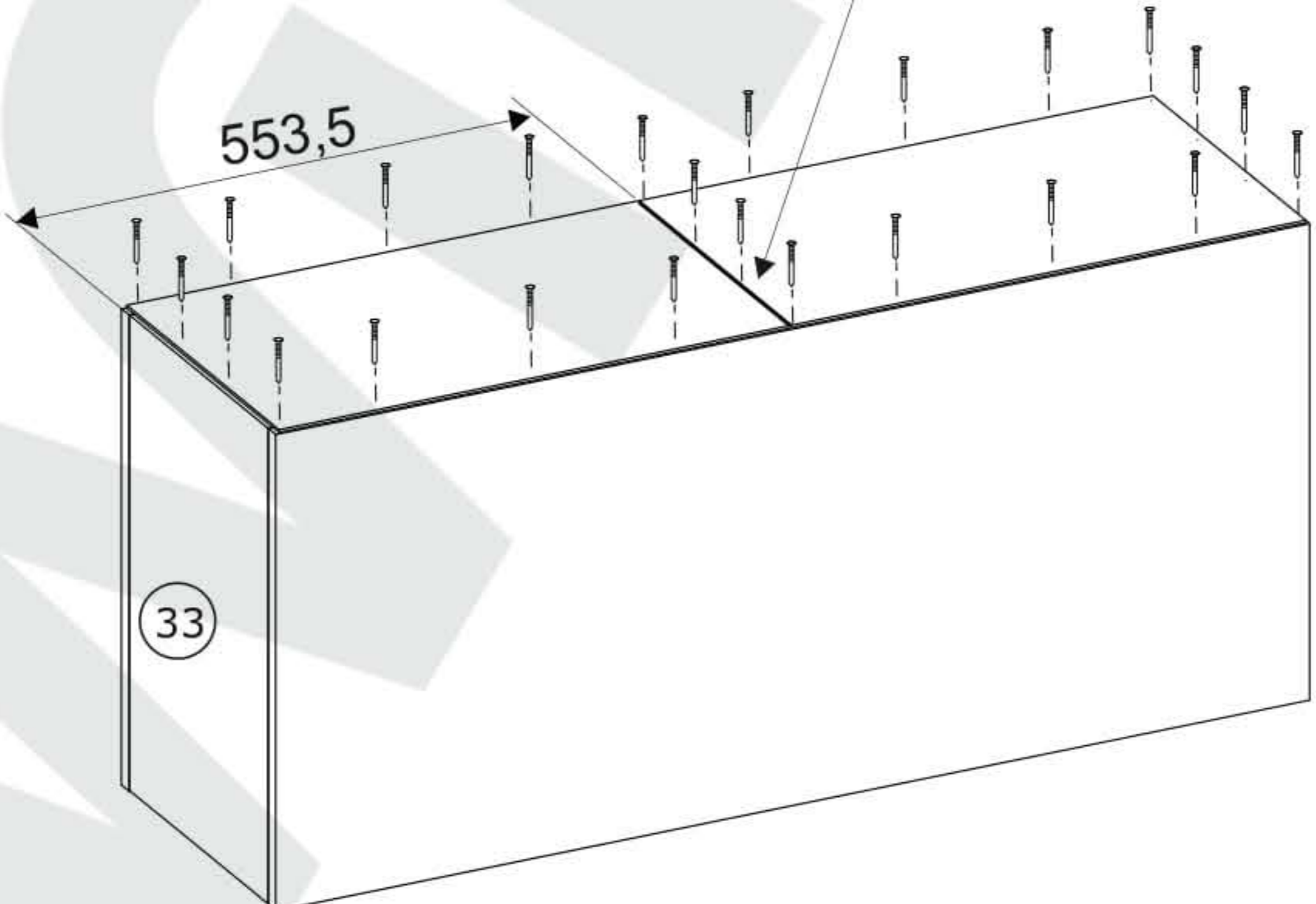
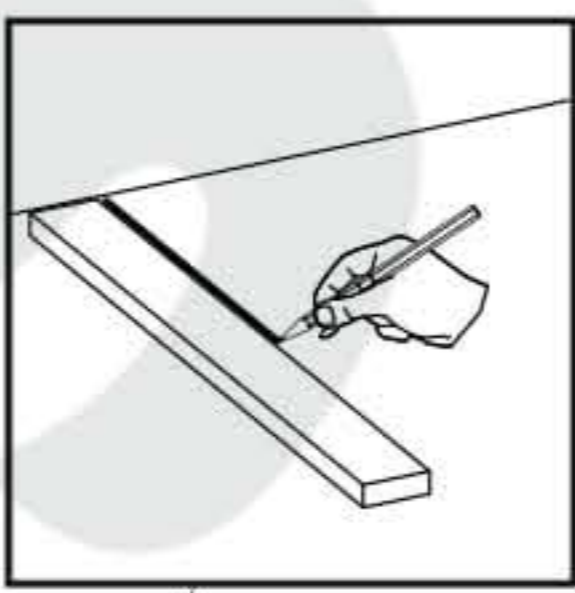
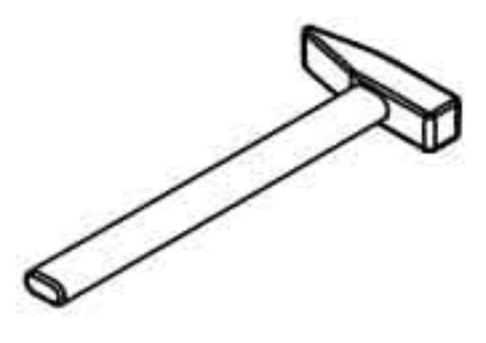
 $XX = YY = 90^\circ$



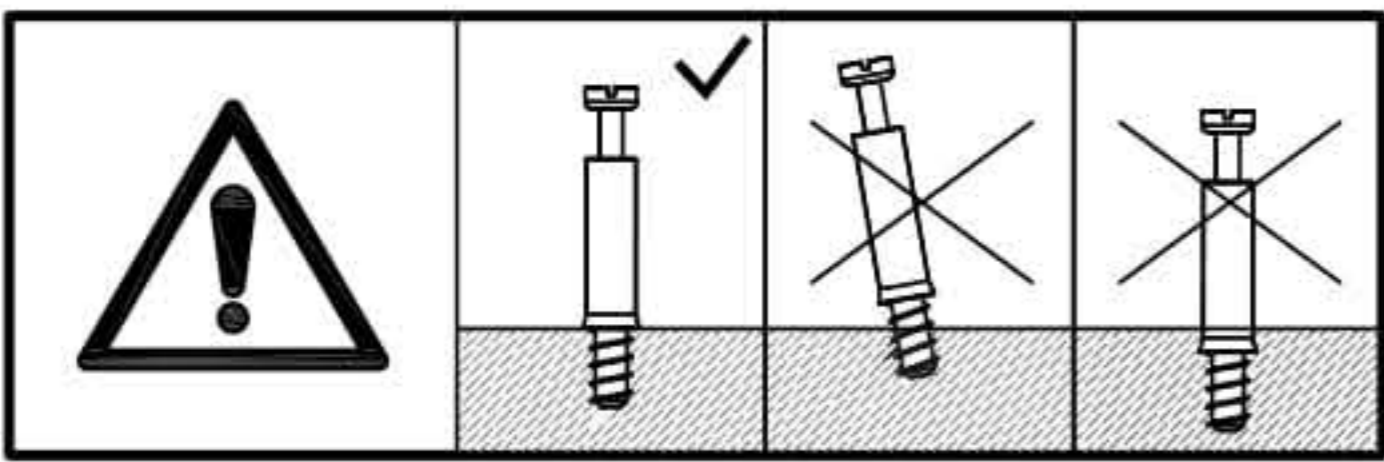
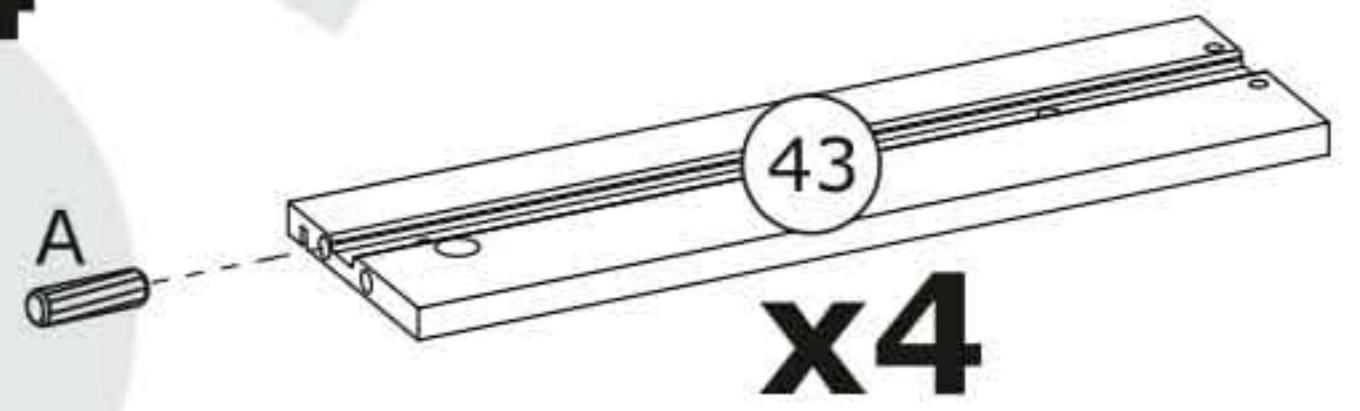
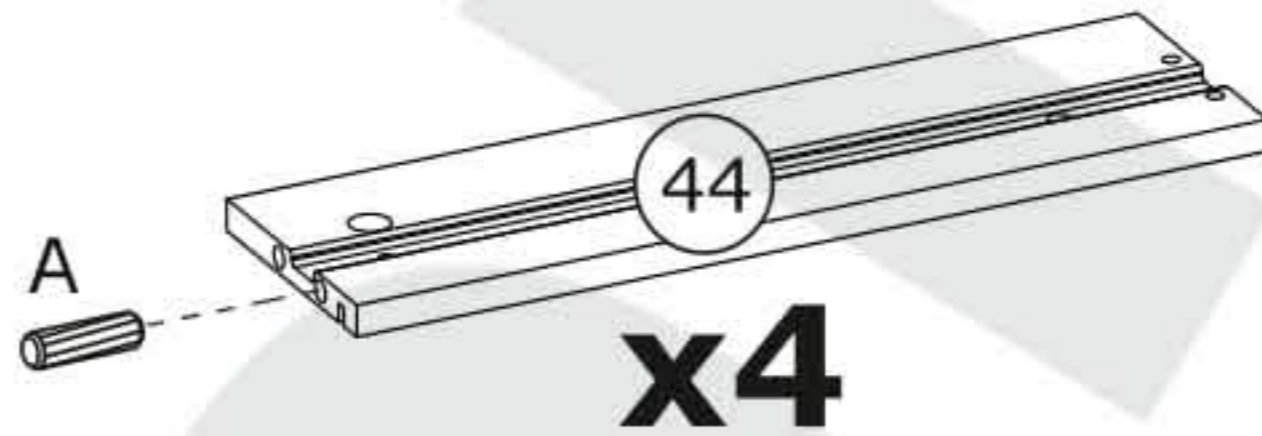
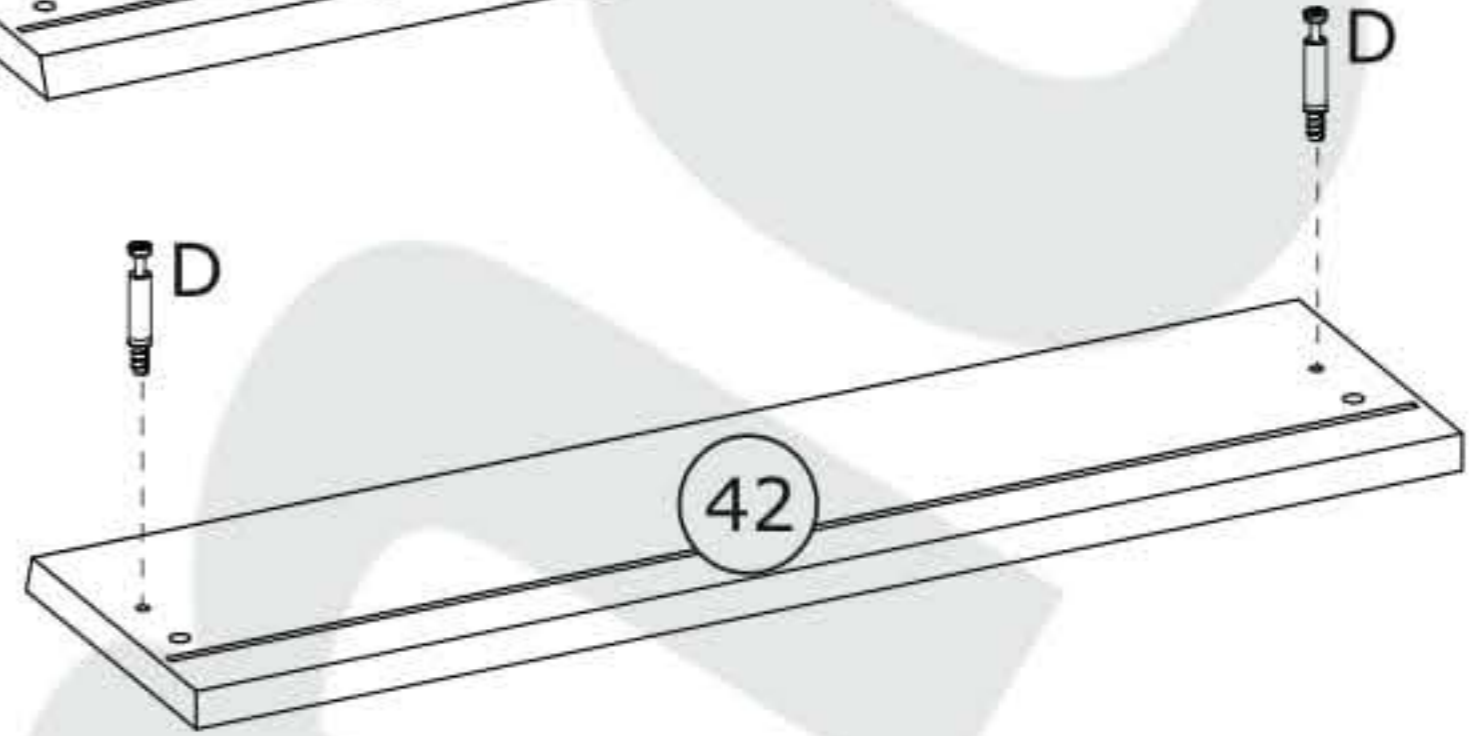
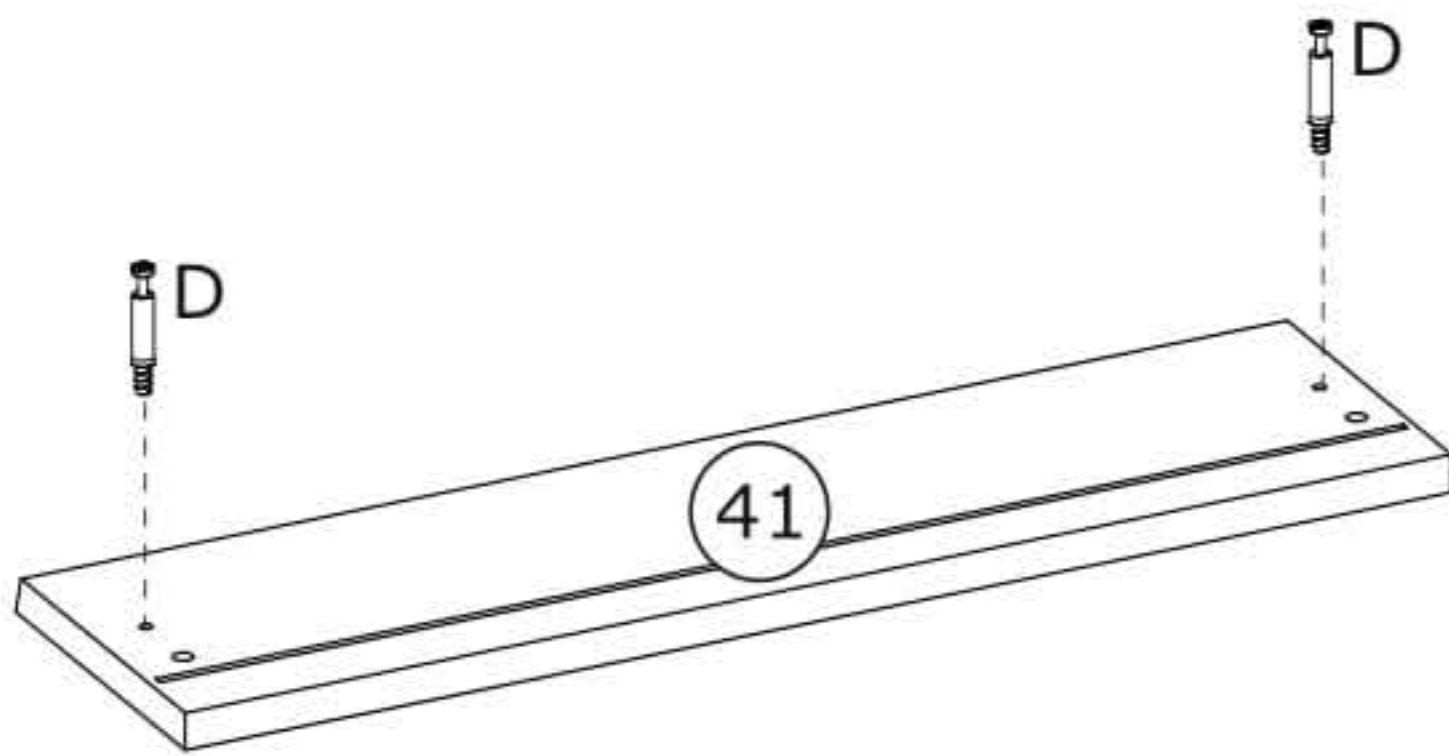
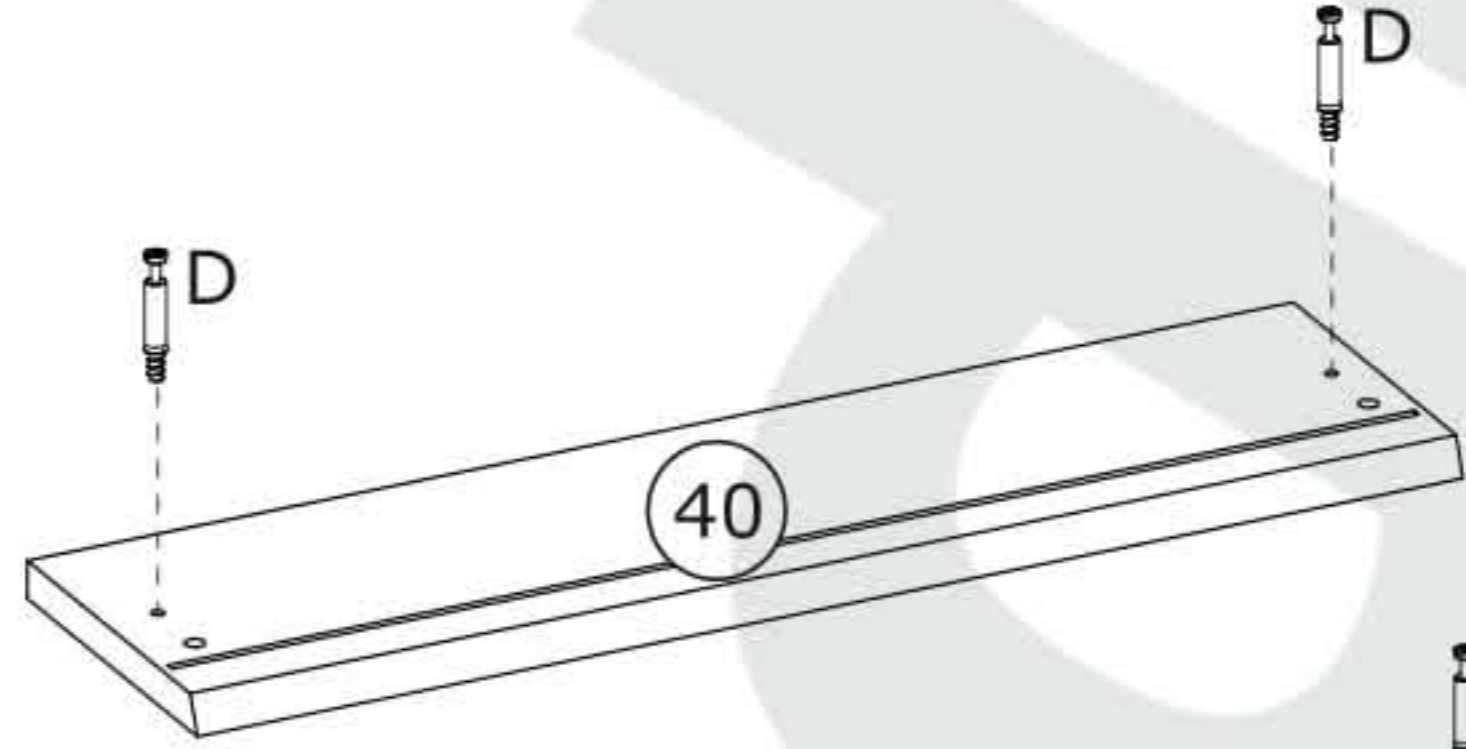
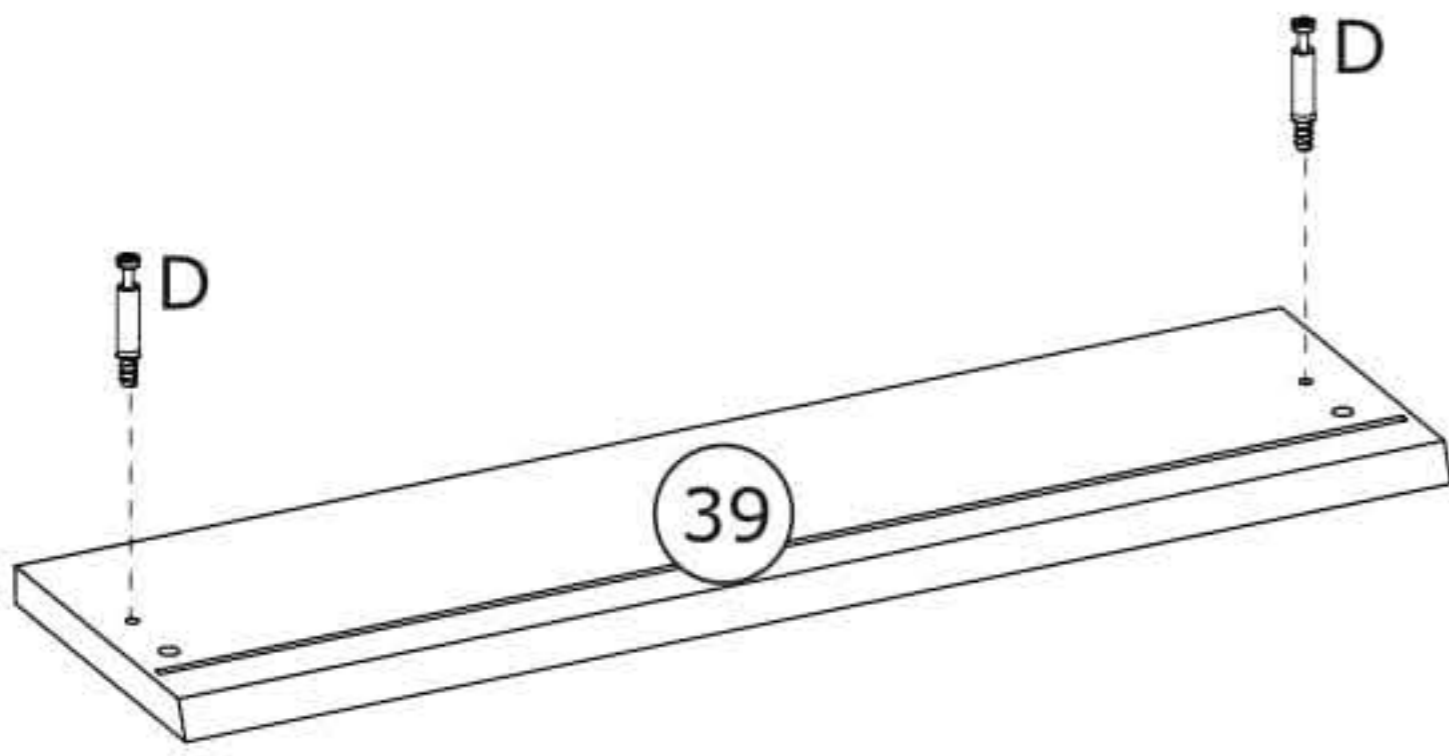
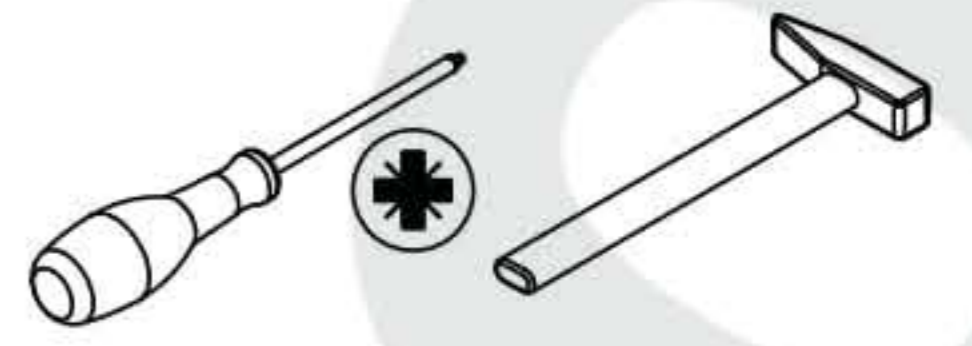
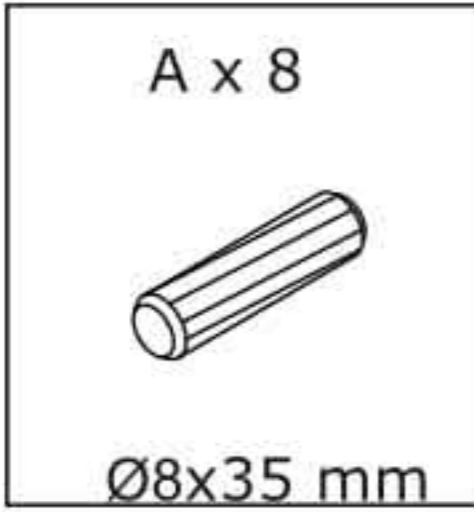
8

G x 24

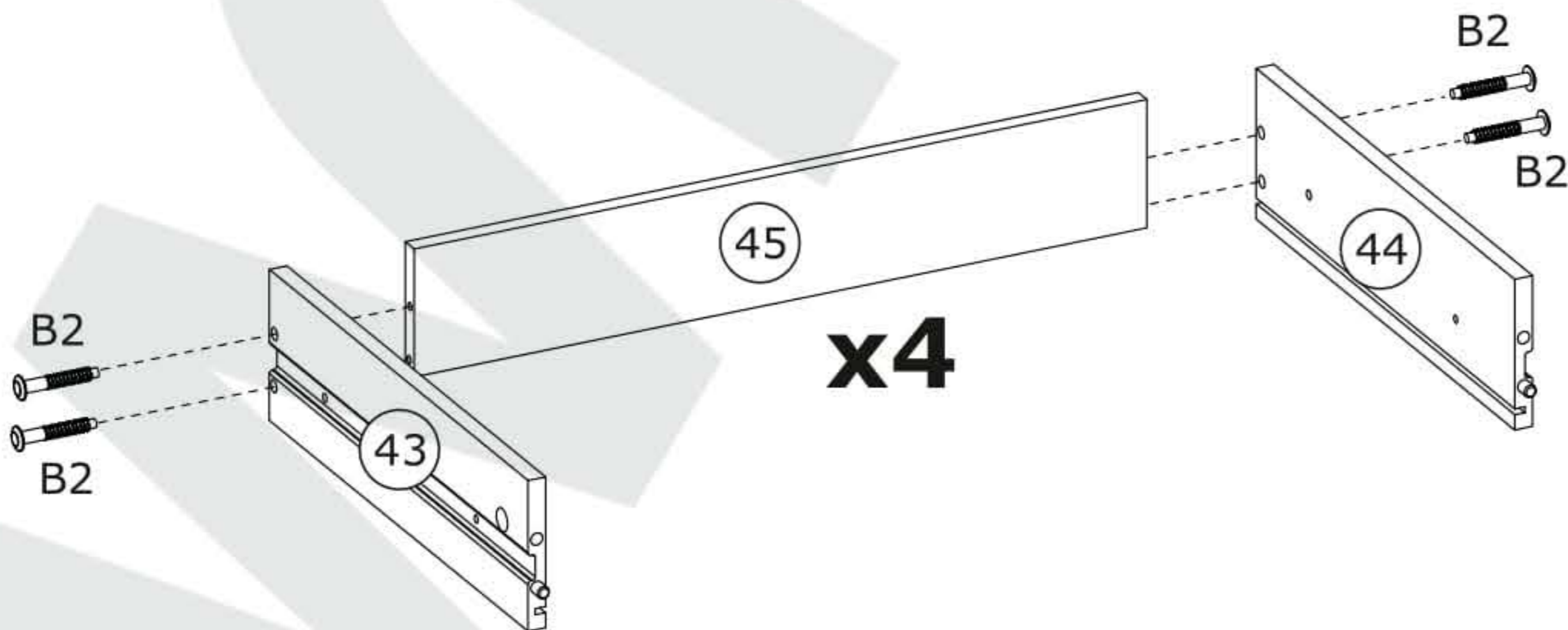
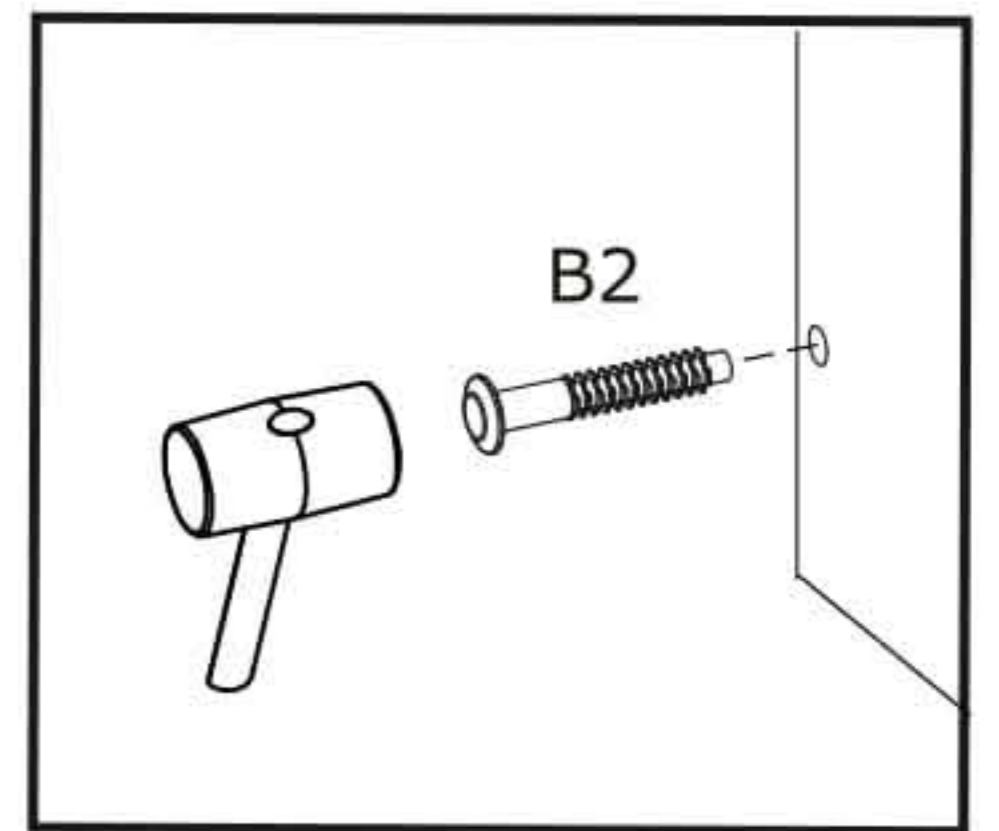
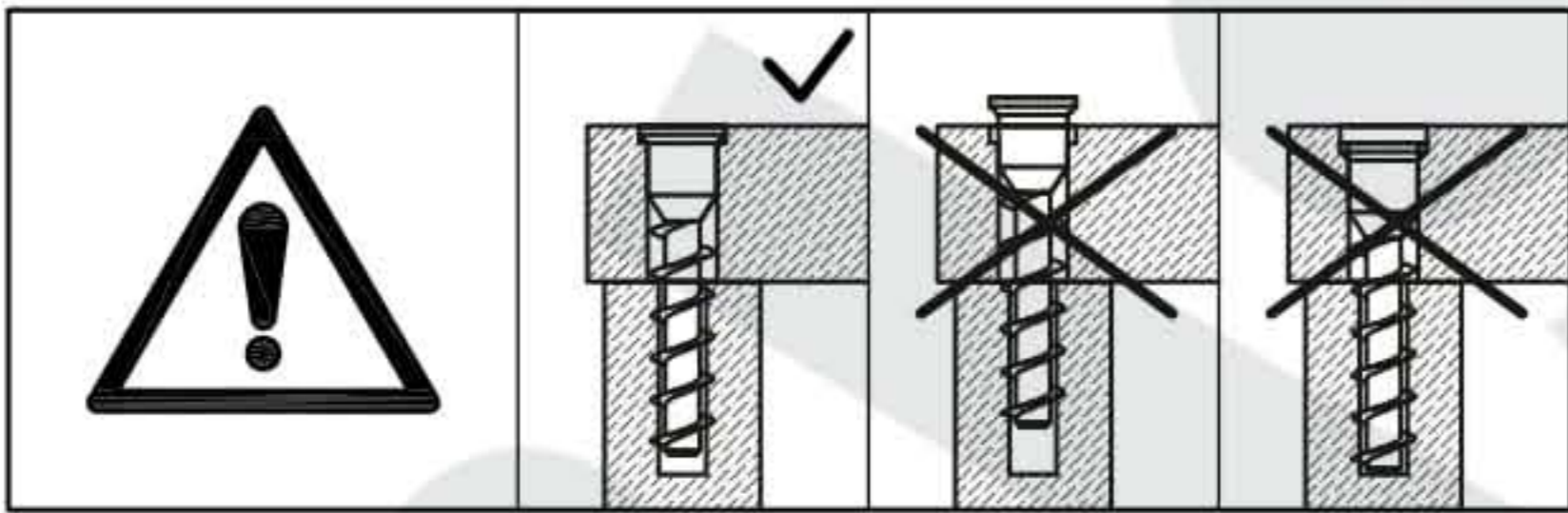
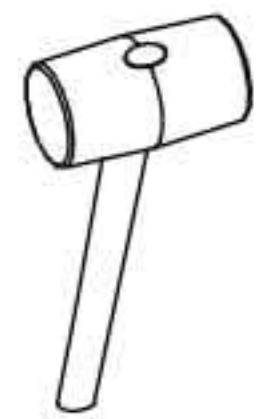
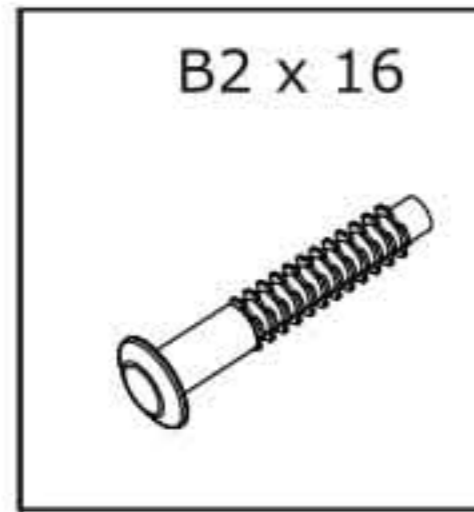
1.2x25 mm





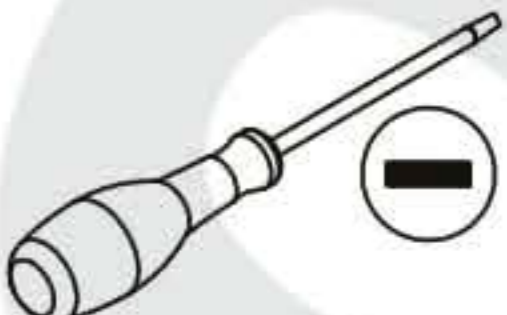
9

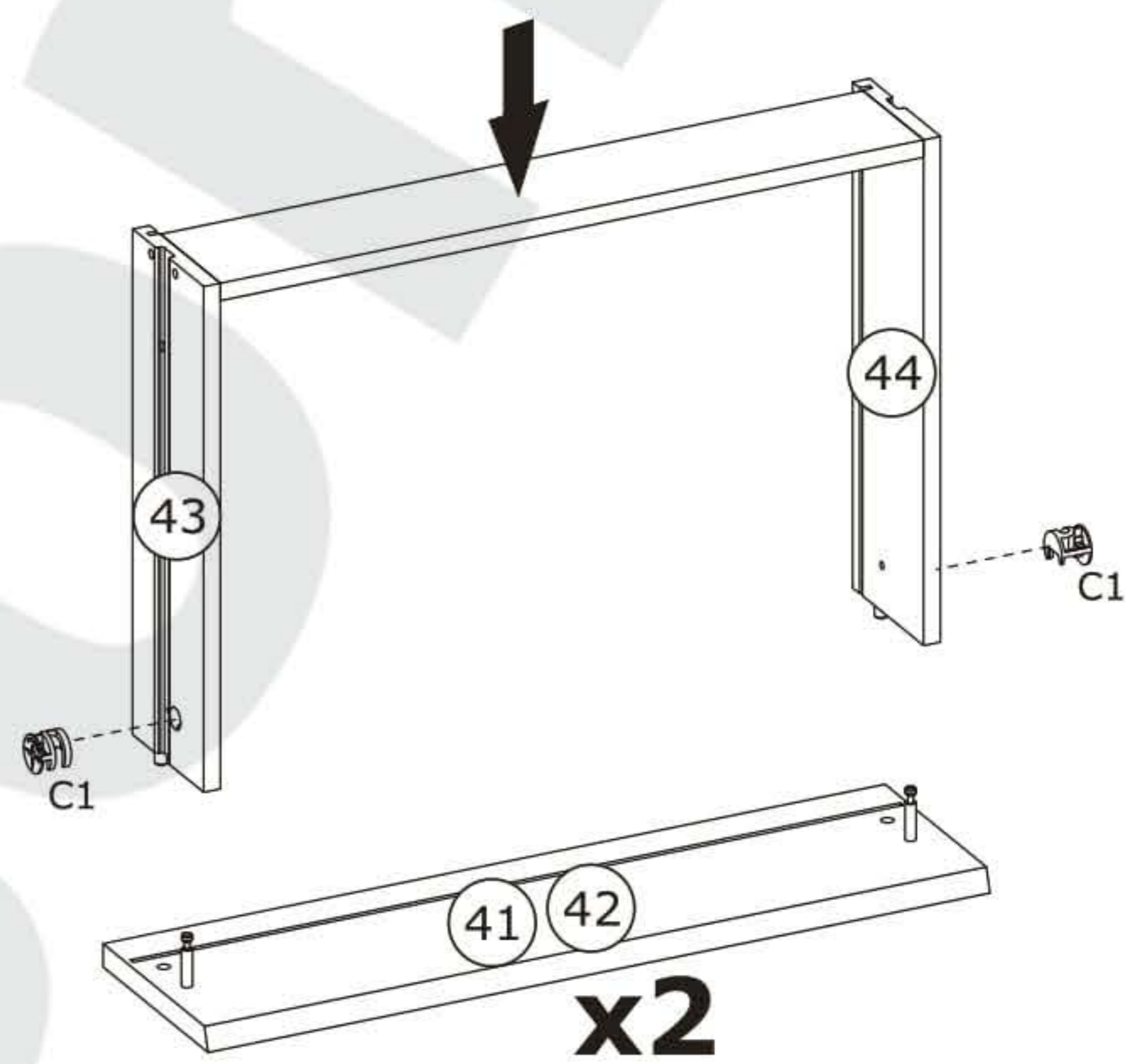
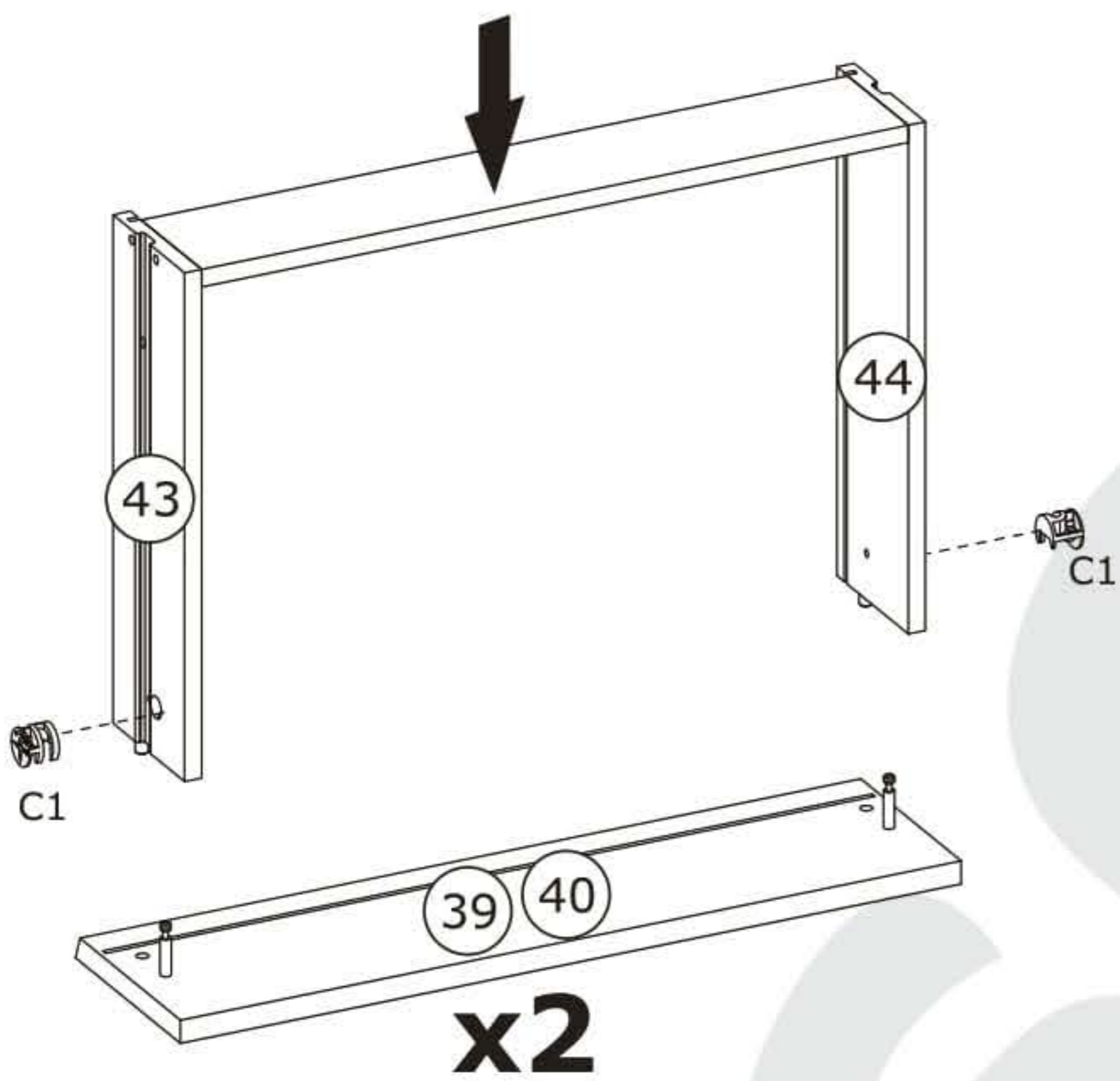
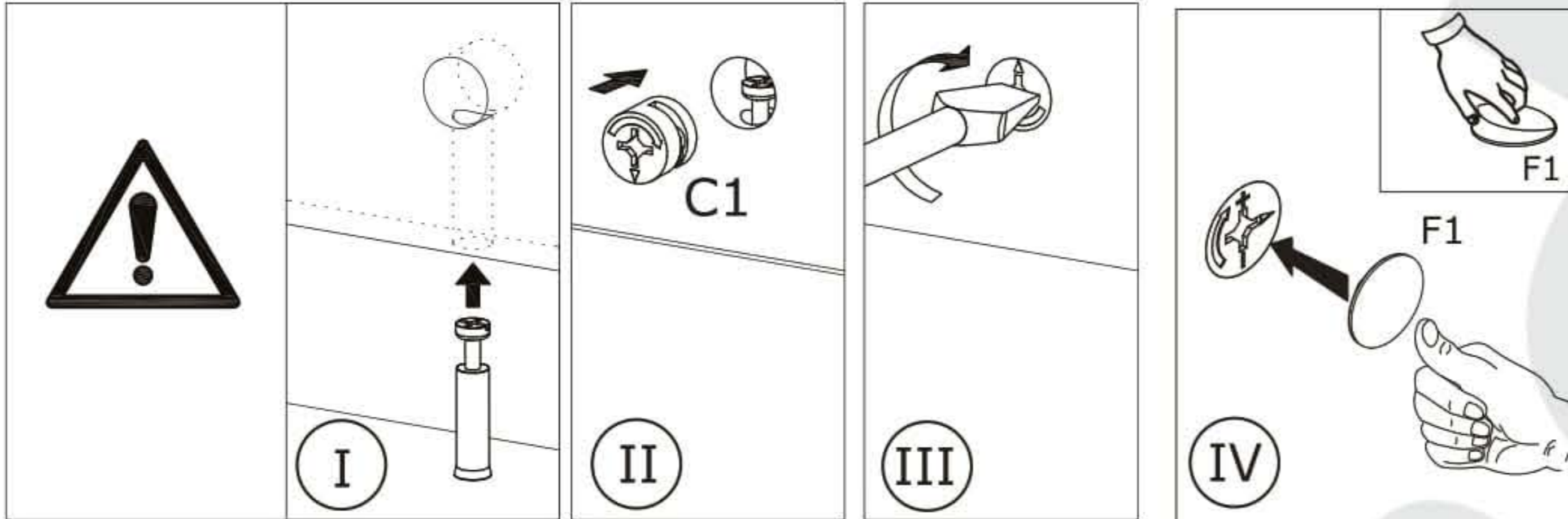


10

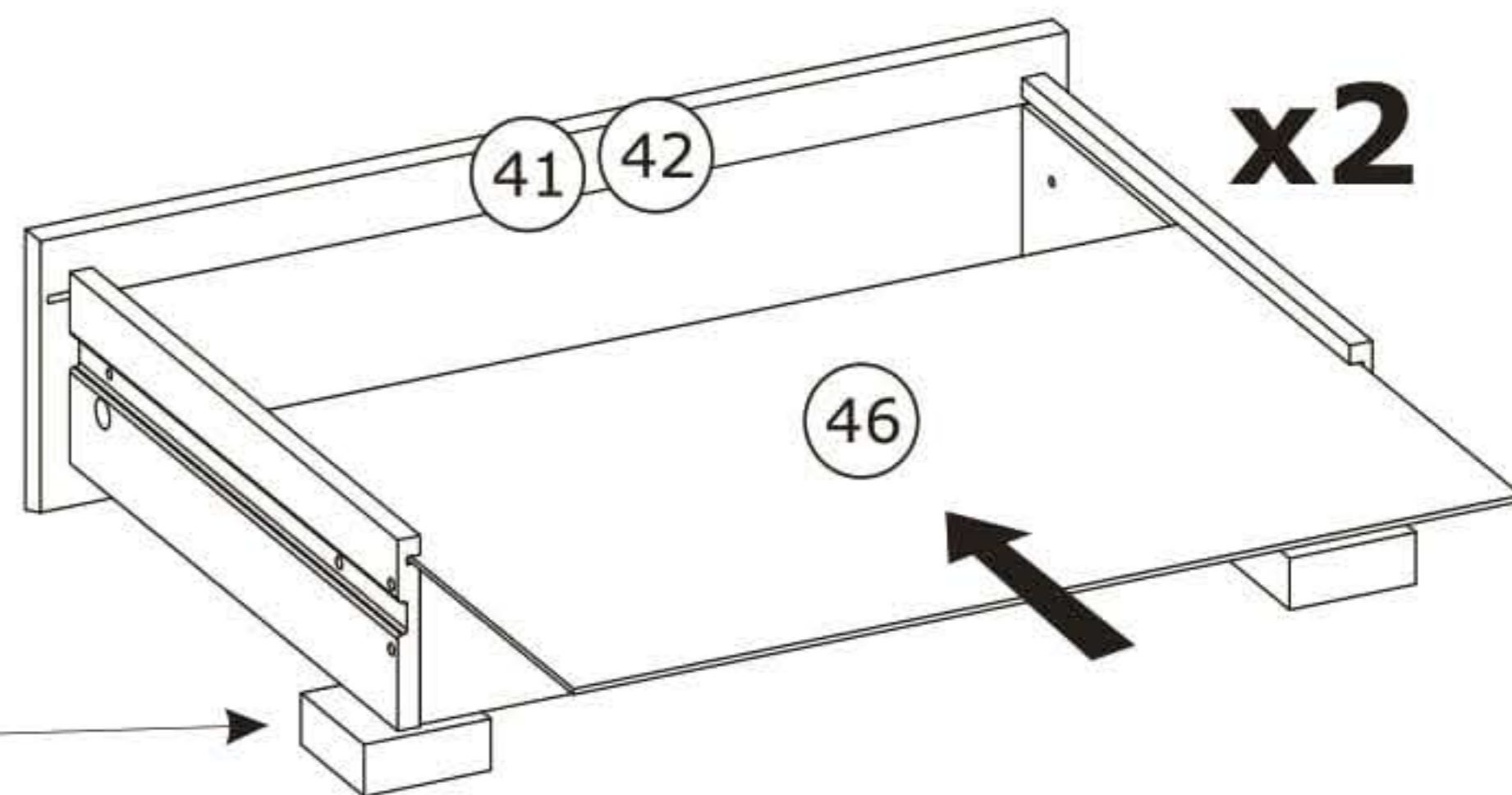
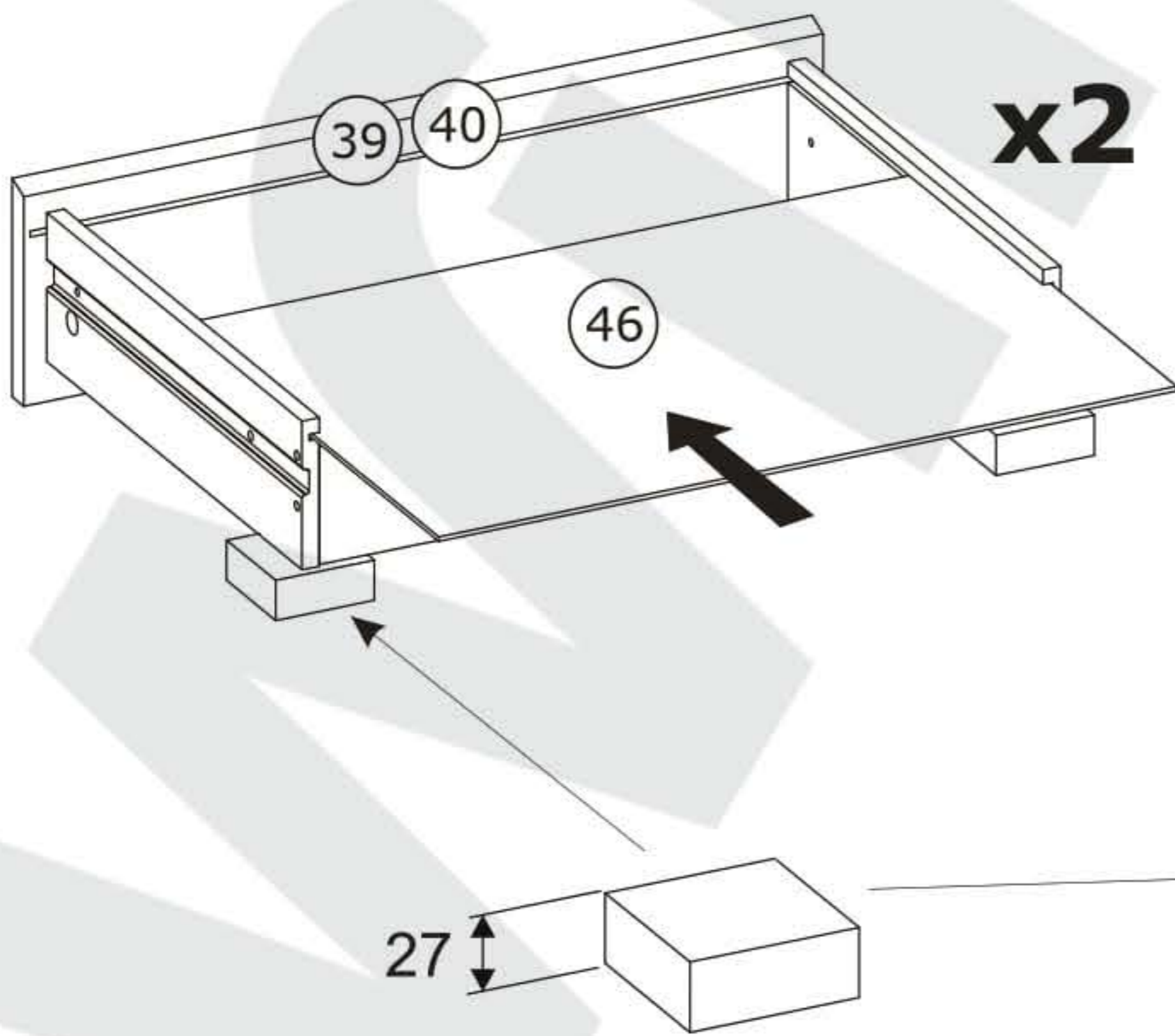


11

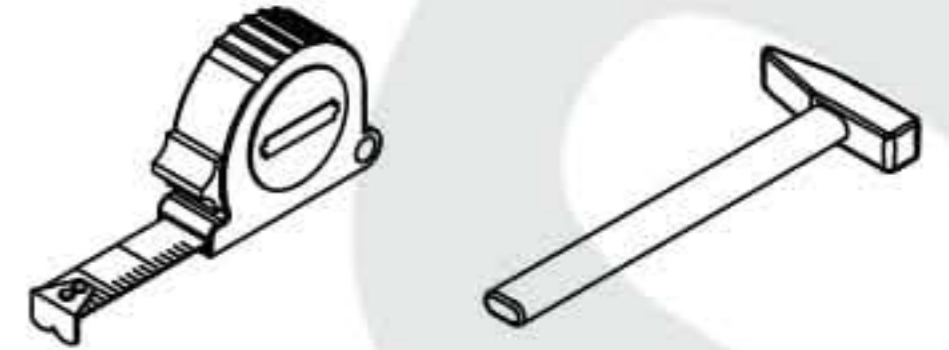
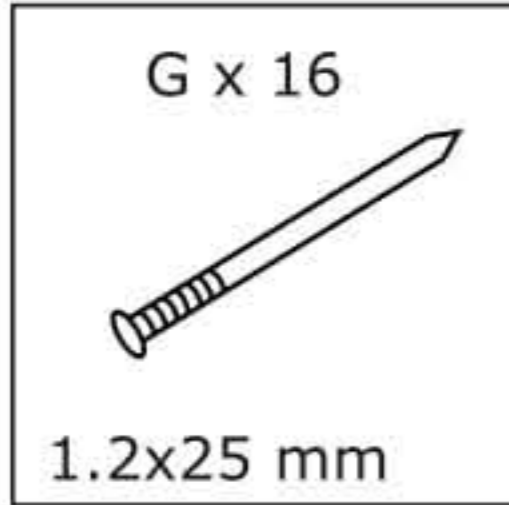
C1 x 8  Ø15x10 mm	F1 x 8  20 mm	
--	--	---




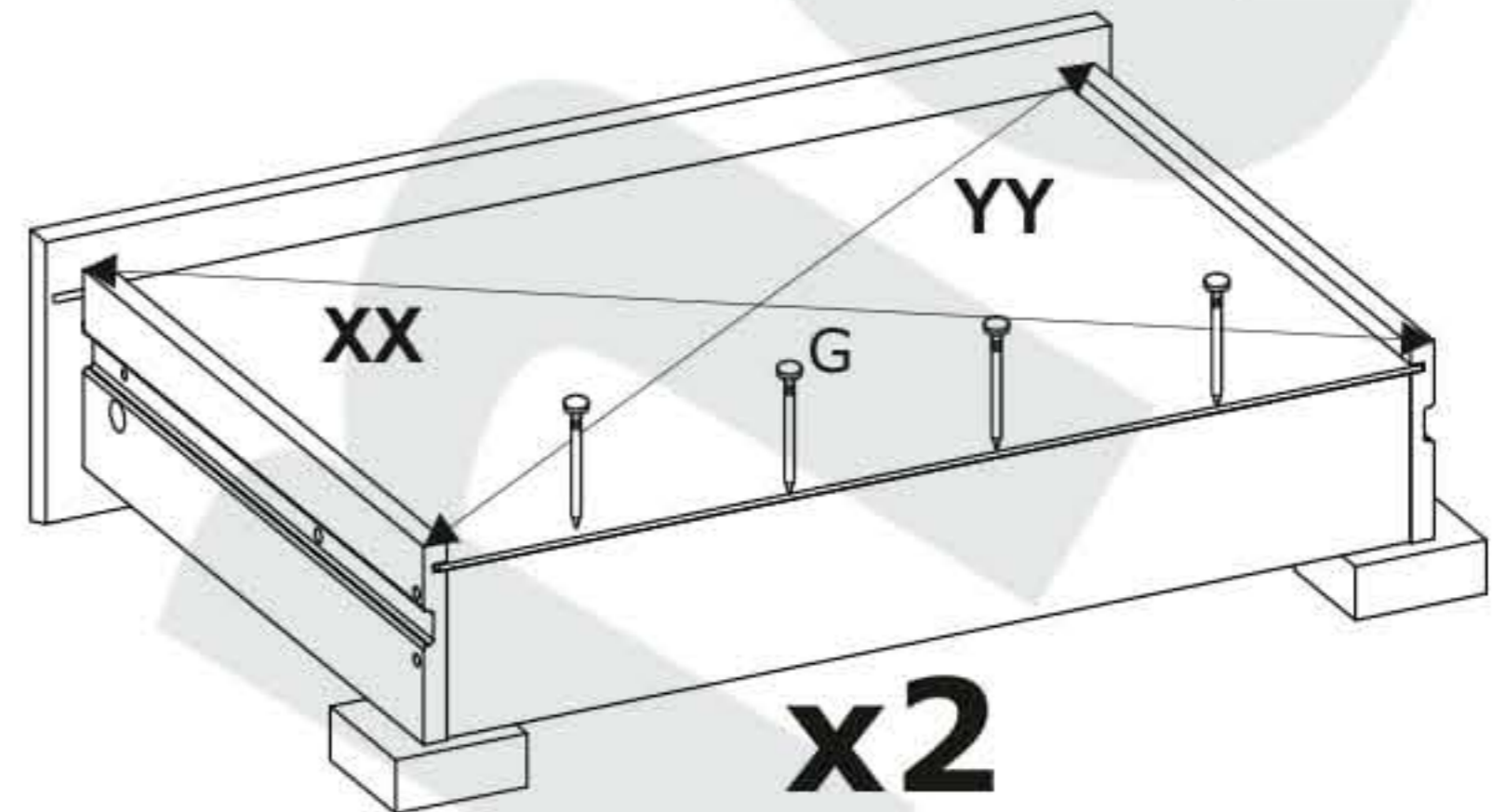
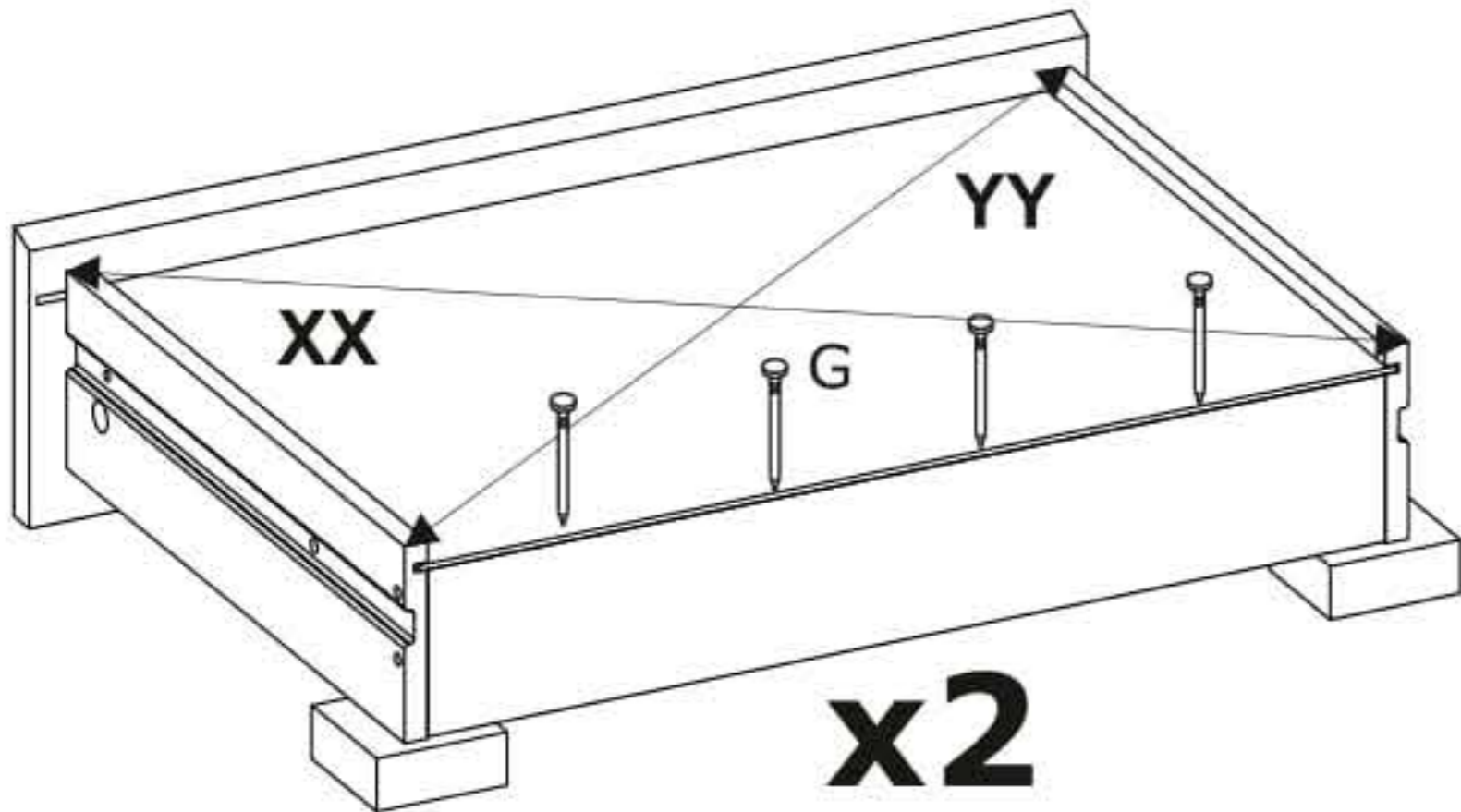
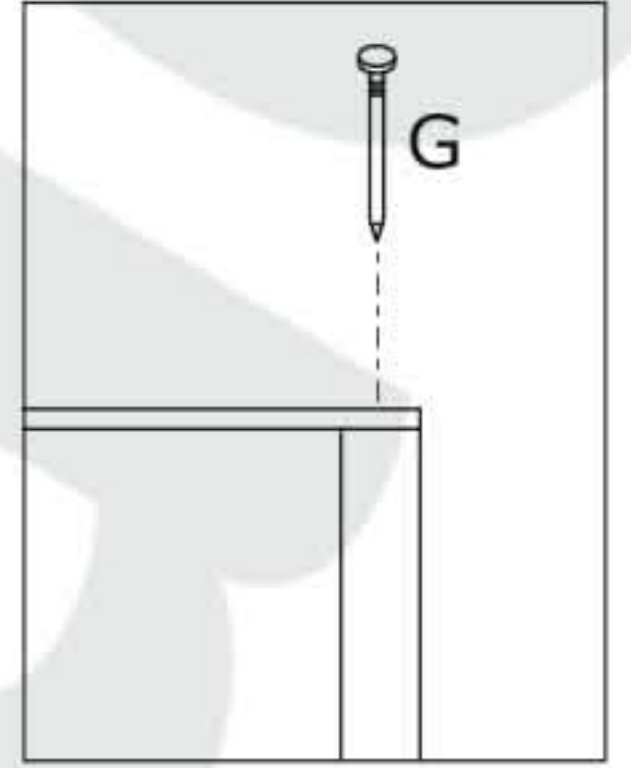
12



13



 $XX = YY \equiv 90^\circ$



14

