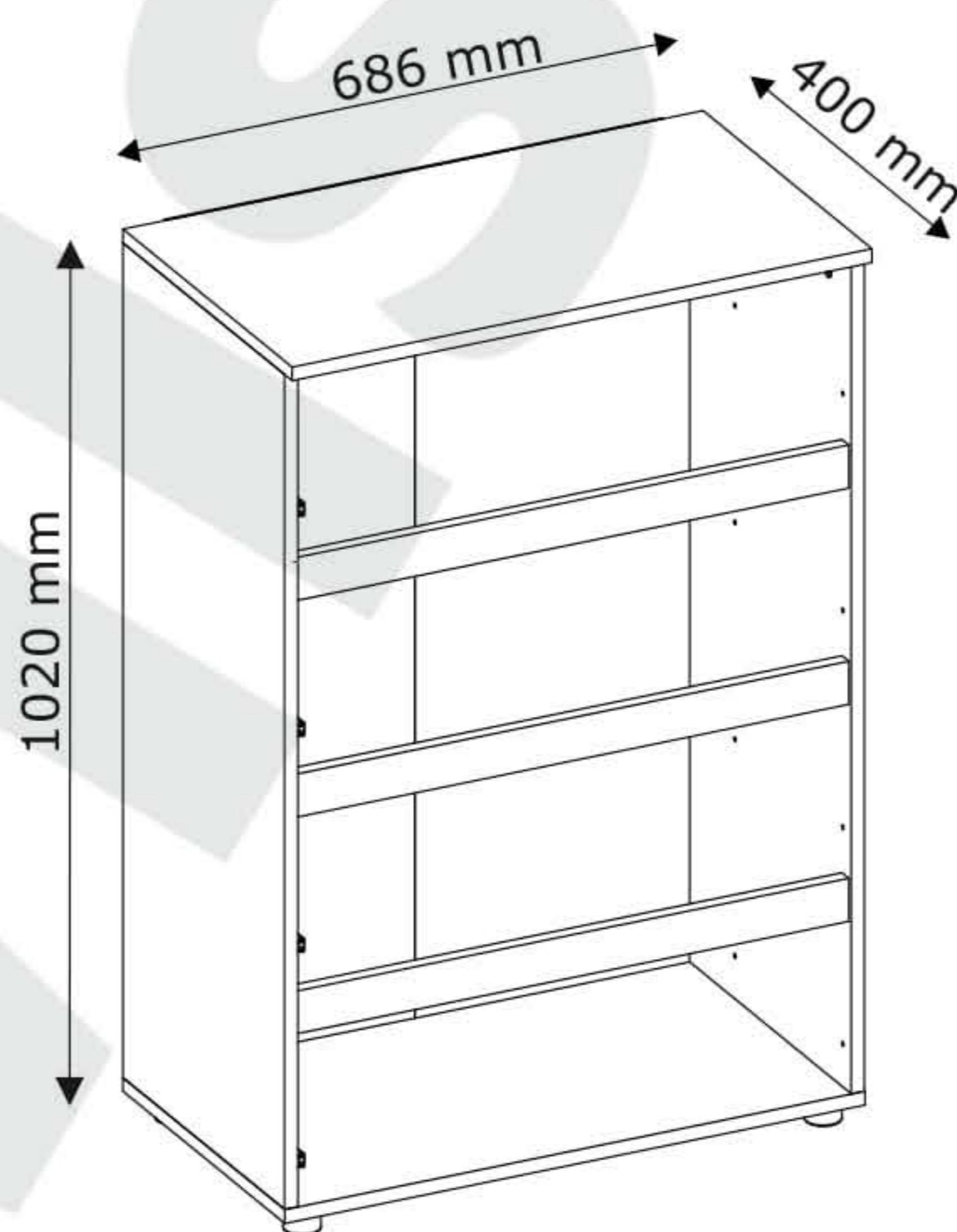
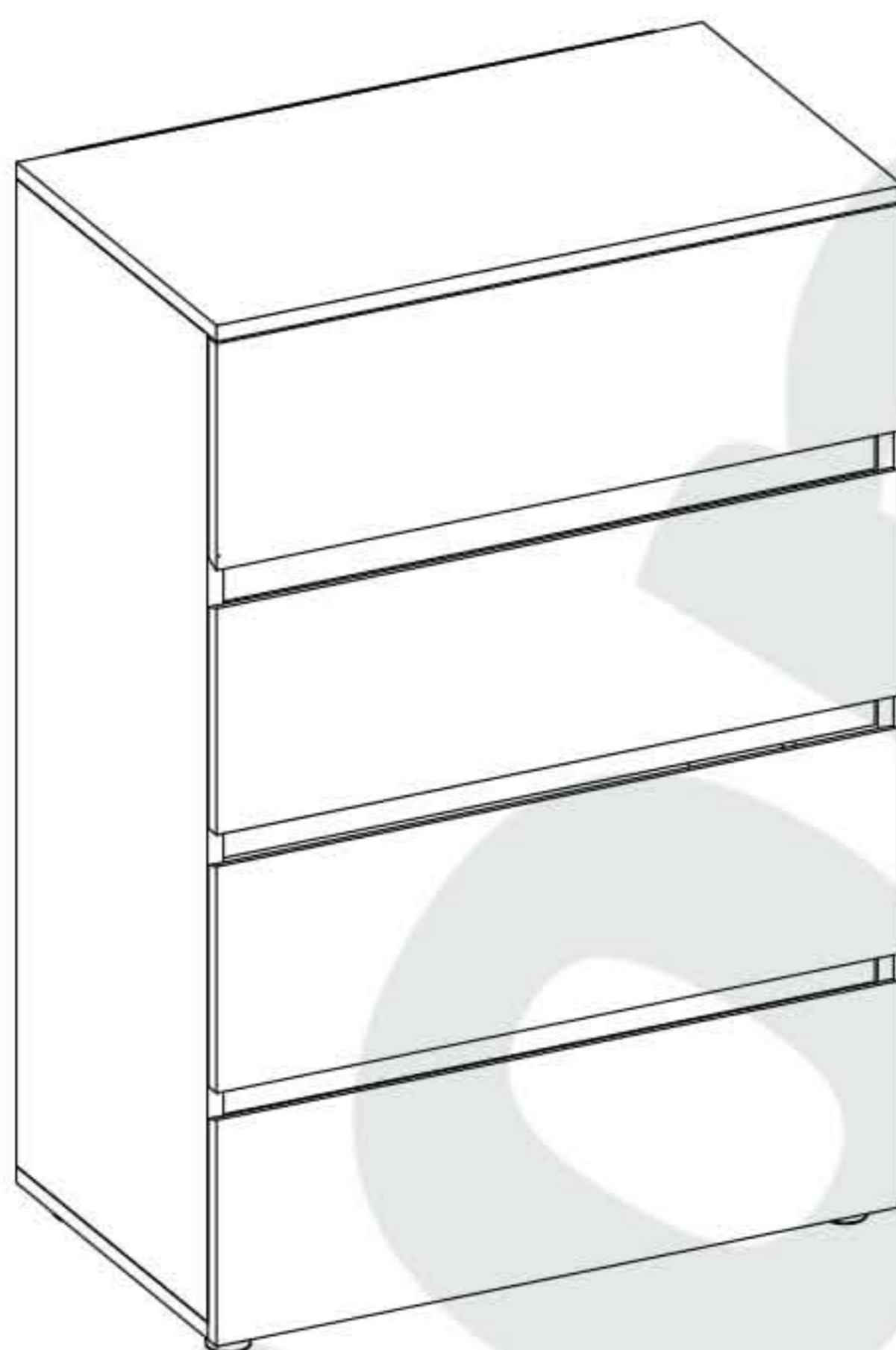
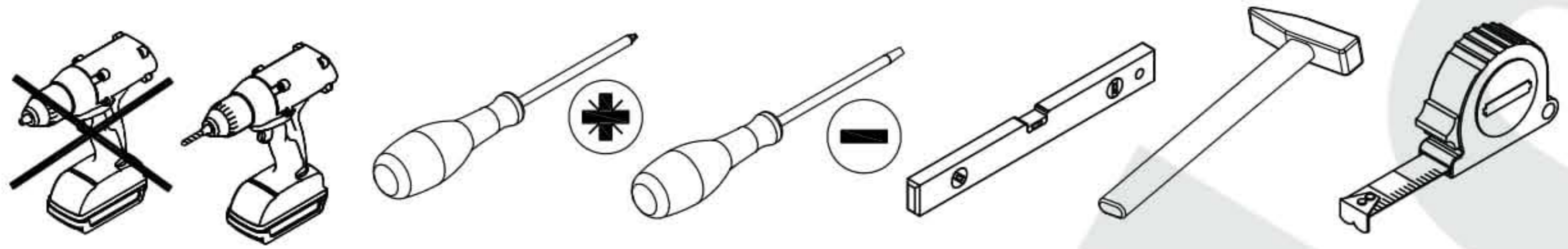


Basic Plus

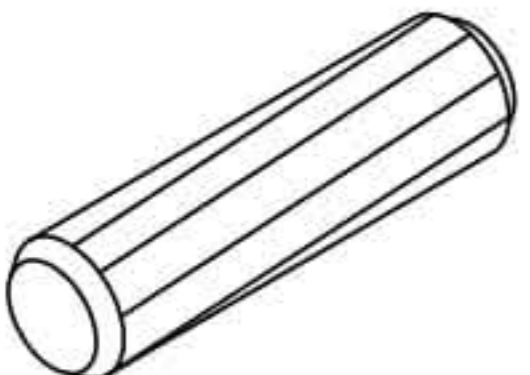
Komoda S4
Komód S4

Comodă S4



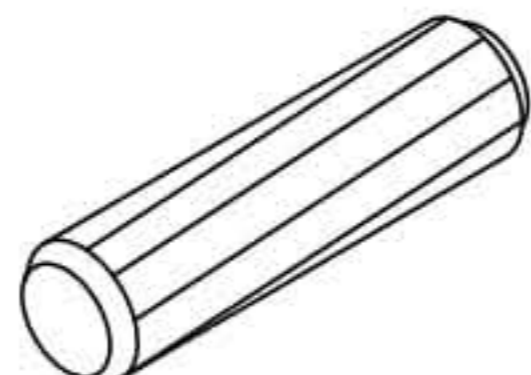


A x 20



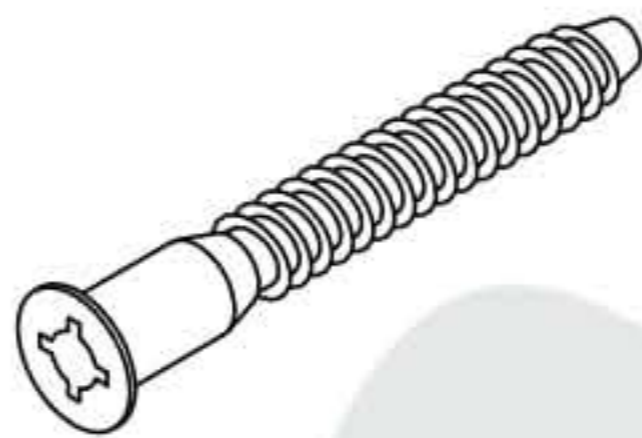
Ø8x35 mm

A1 x 8



Ø6x30 mm

B x 12




Ø7x50 mm

C x 4



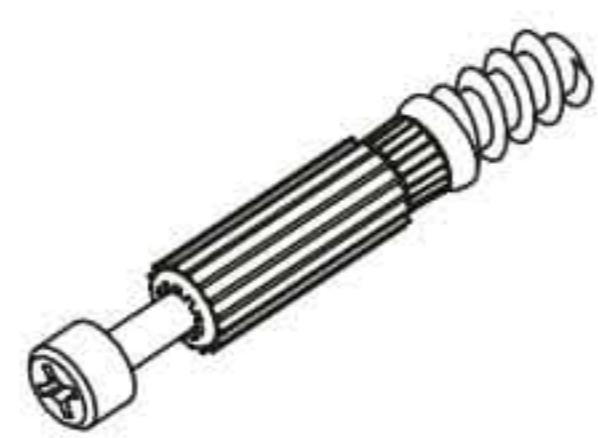
Ø15x12 mm

C1 x 8



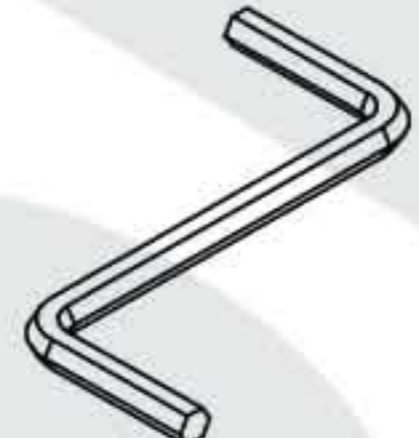
Ø15x10 mm

D x 12




Ø5x44 mm

E x 1




4 mm

F x 4



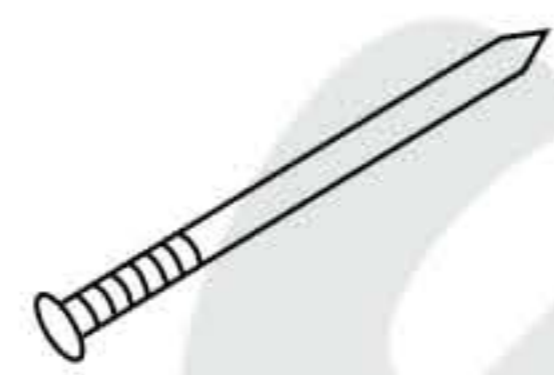
20 mm

F1 x 8




20 mm

G x 48

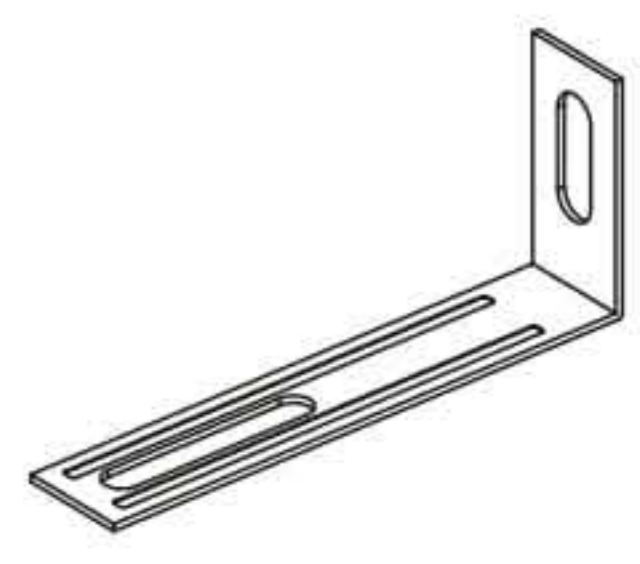


1,2x25 mm


G4 x 4



I x 1




J x 1




3,5x16 mm

J6 x 4



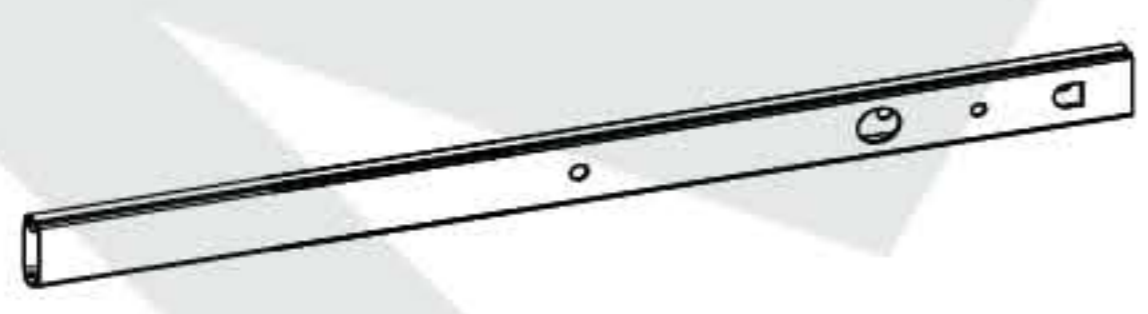
4x30 mm

M x 16



Ø6,3x13 mm

N1 x 8

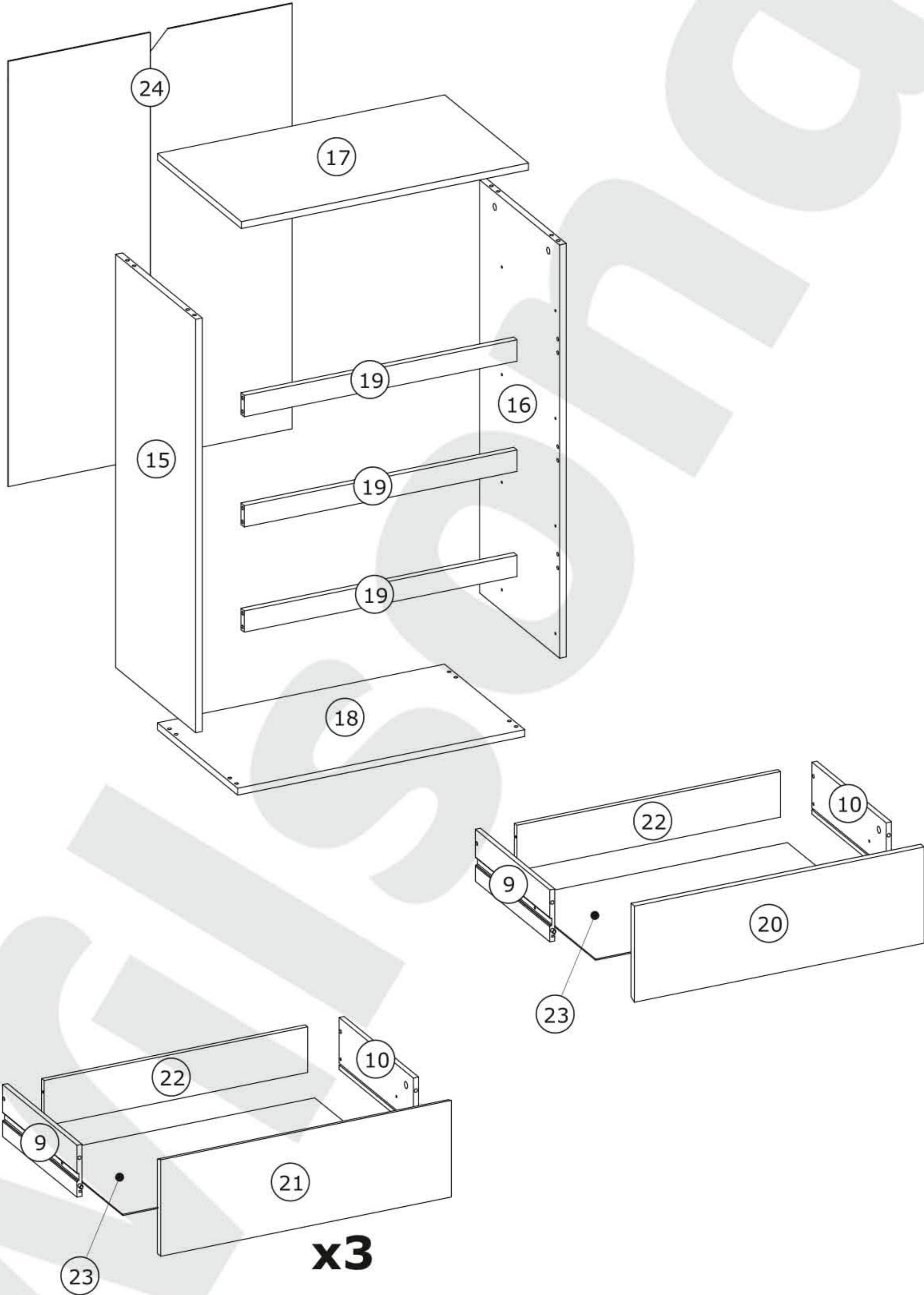


310 mm

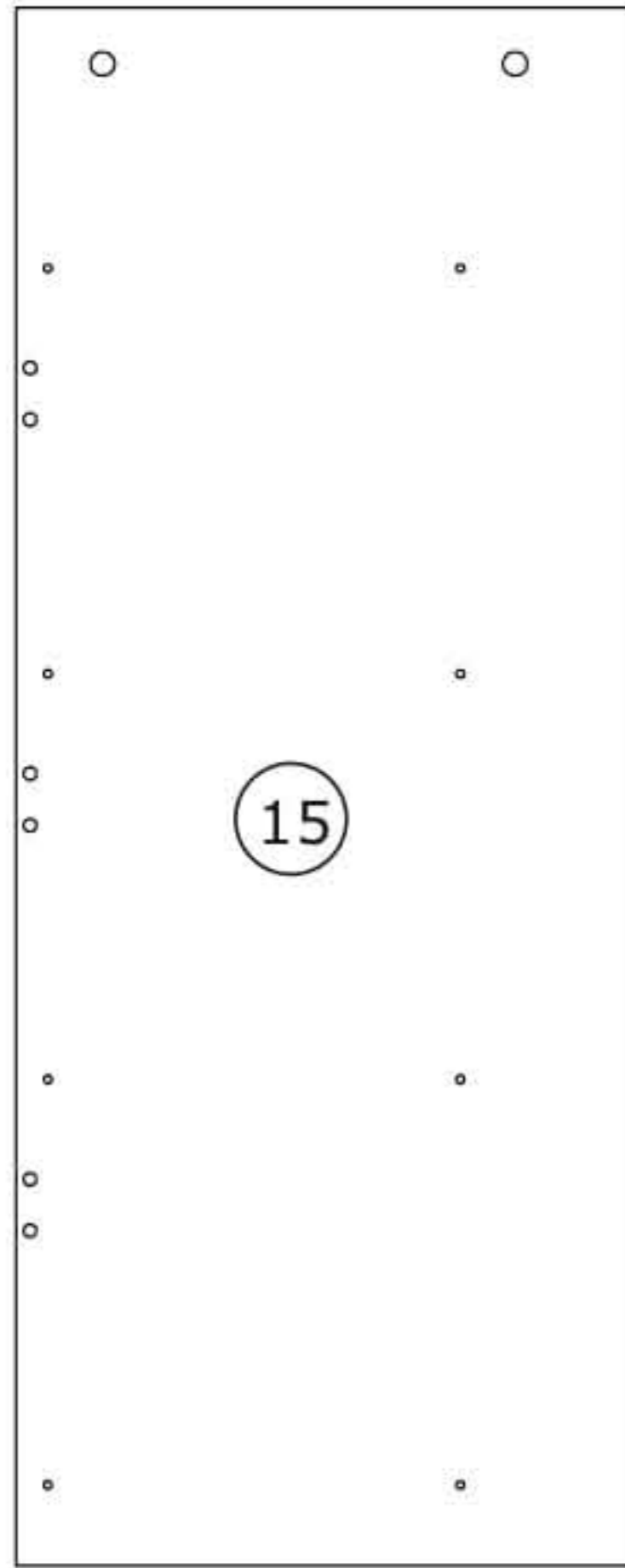
Q x 8



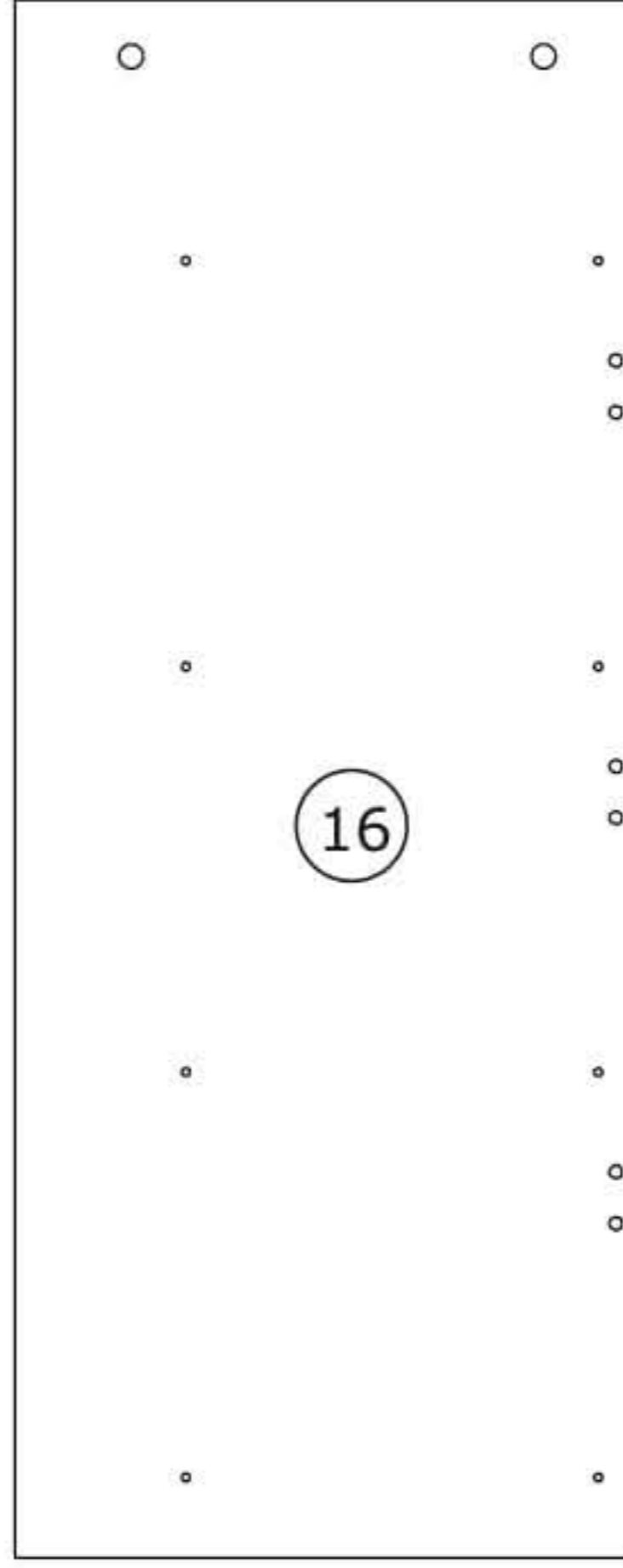
4x9 mm



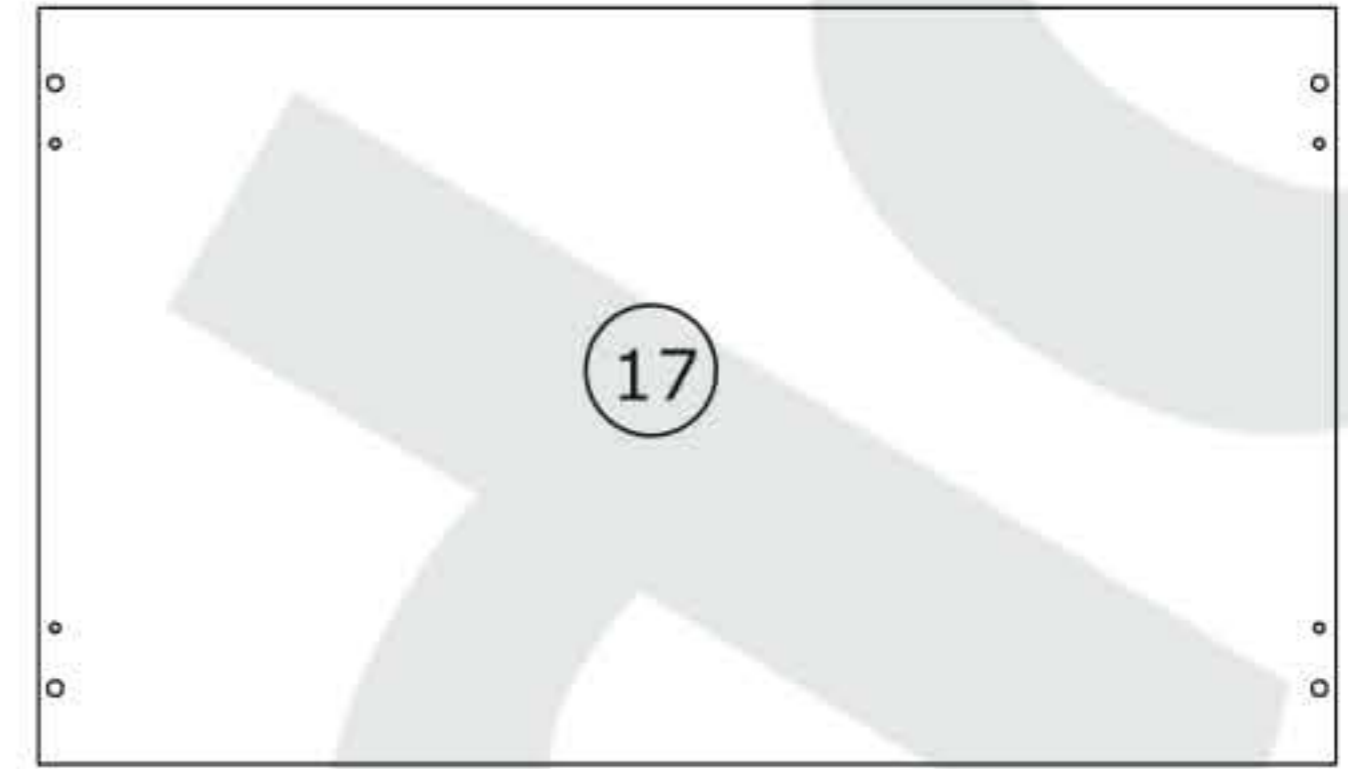
BOX 1/1:



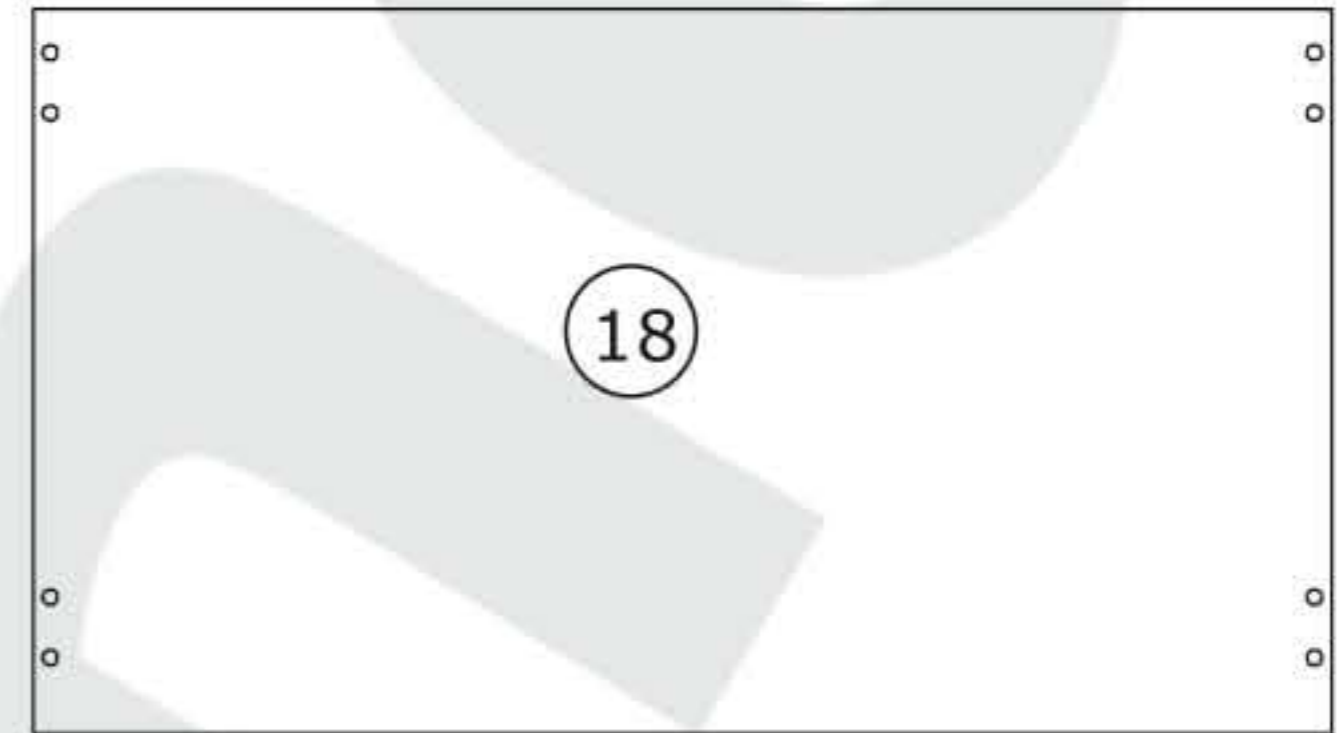
968x382x16 mm



968x382x16 mm



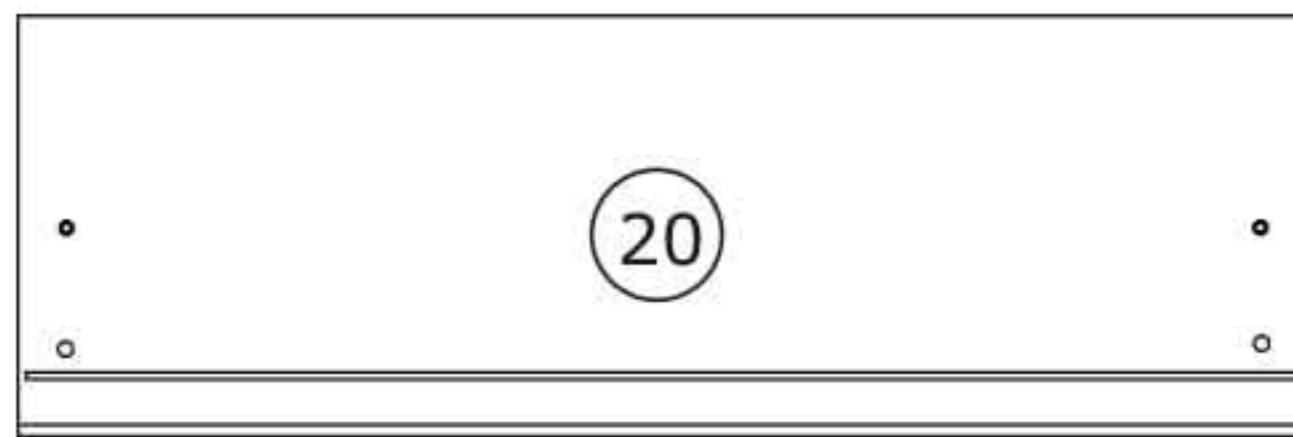
686x400x16 mm



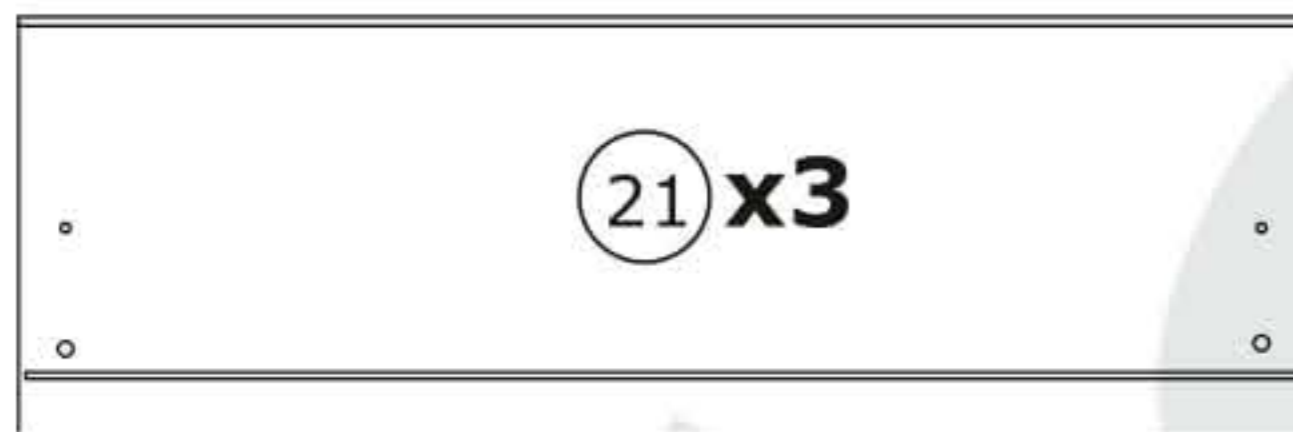
686x383x16 mm



652x50x16 mm



686x222x16 mm



686x222x16 mm



350x120x12 mm



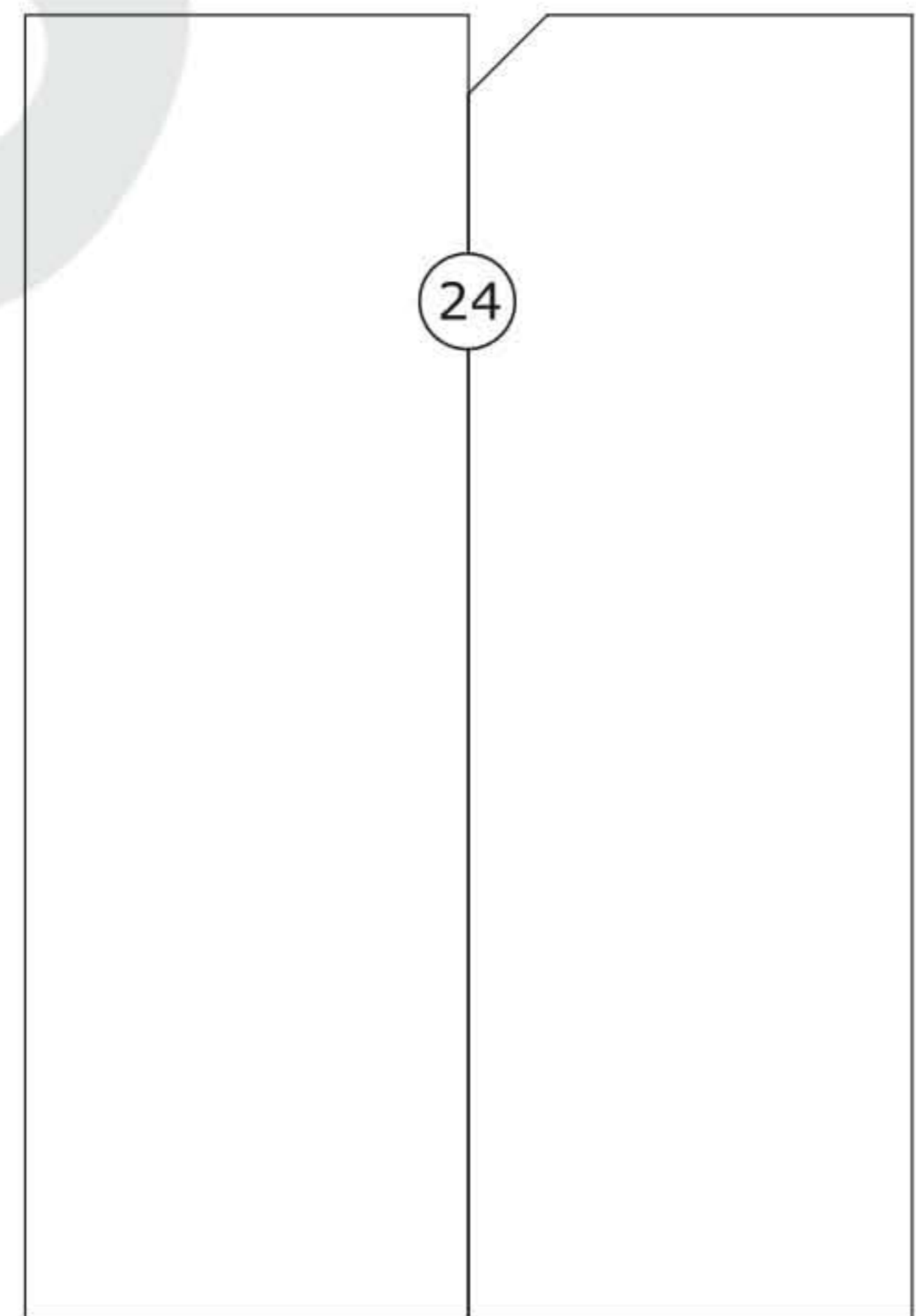
350x120x12 mm



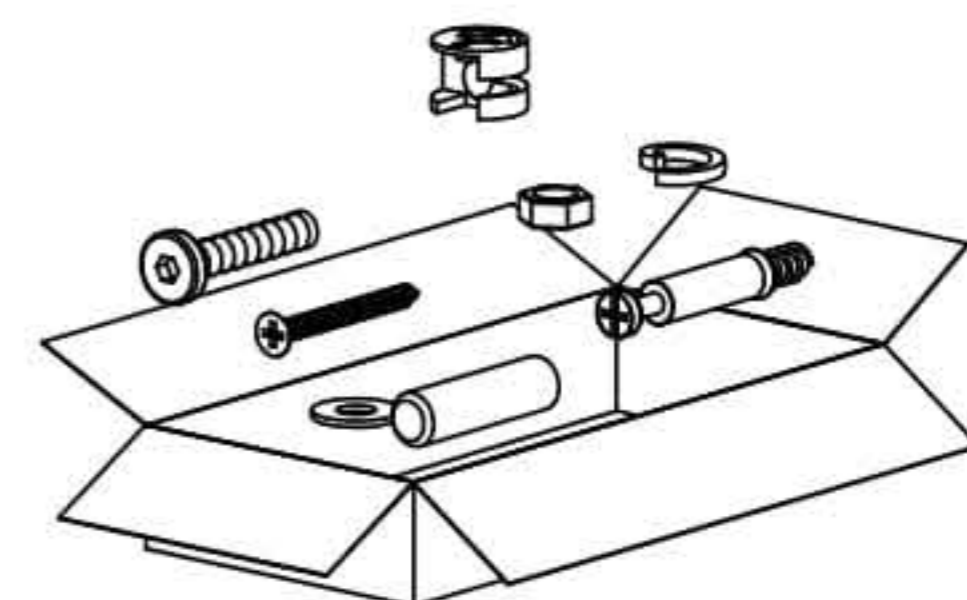
630x357x3 mm



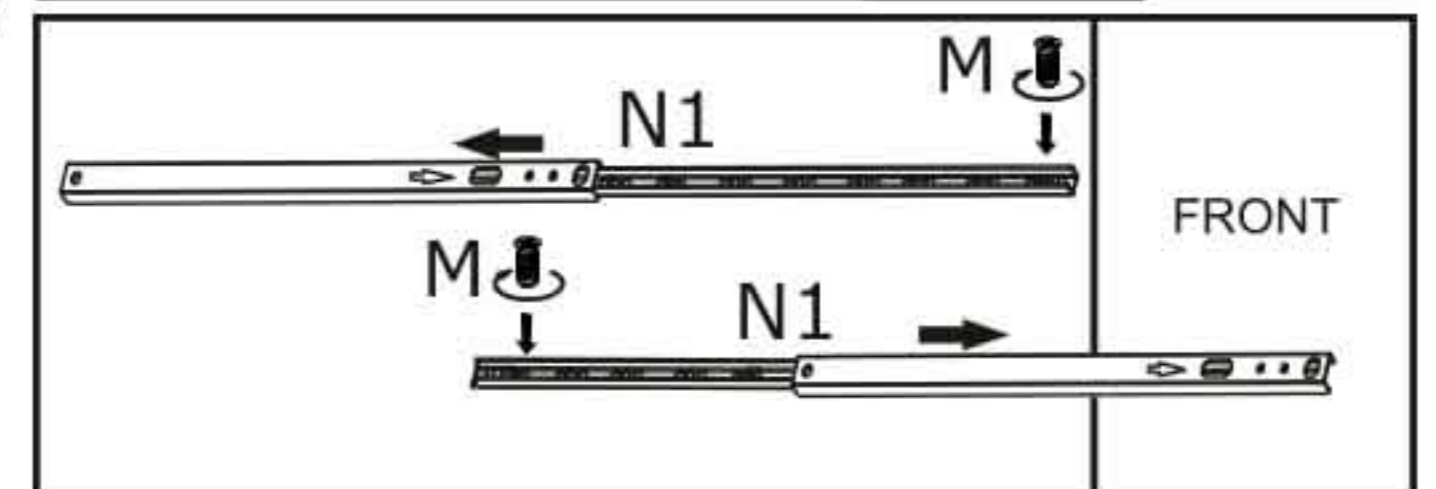
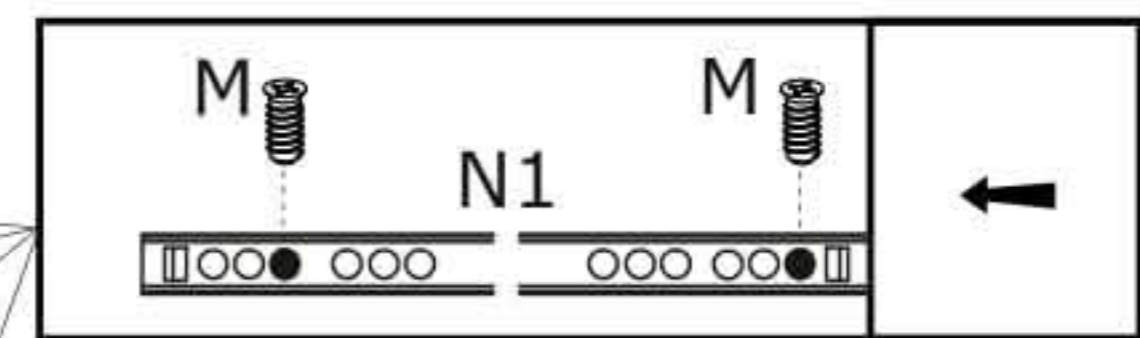
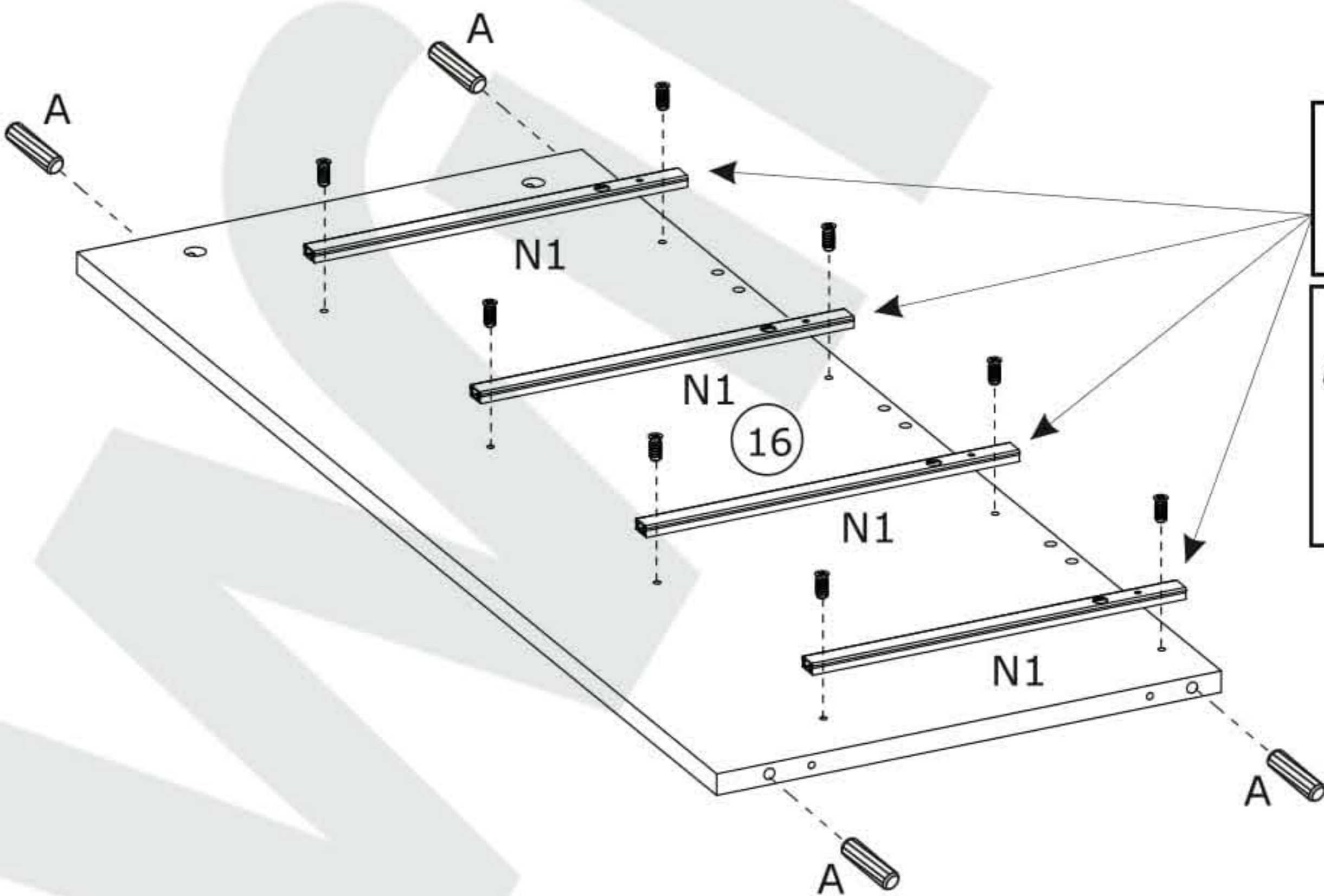
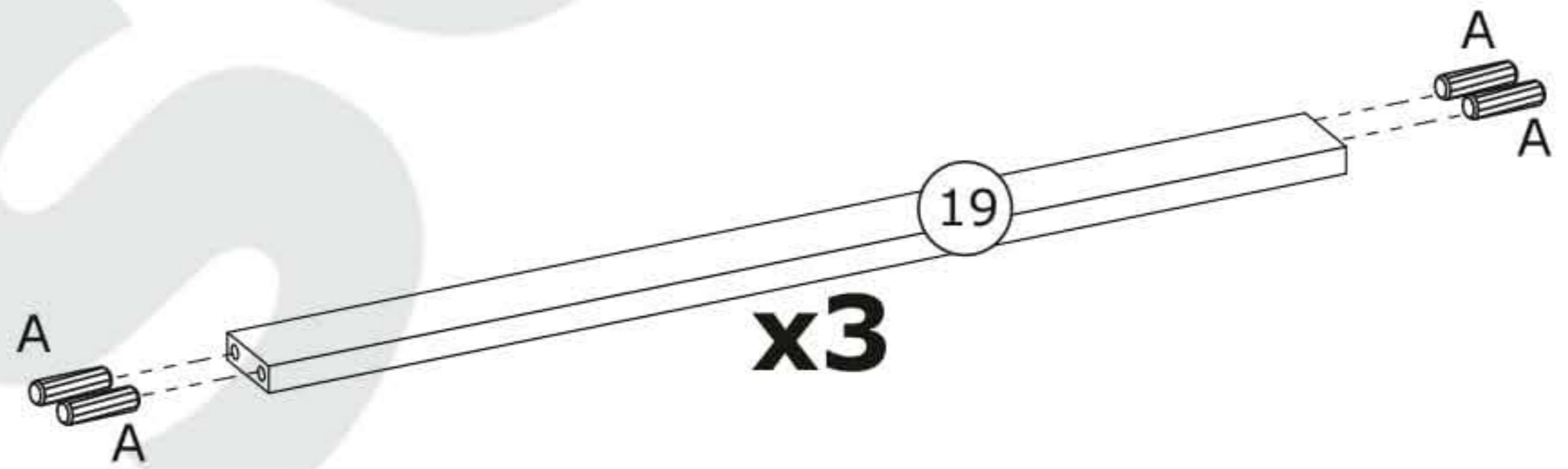
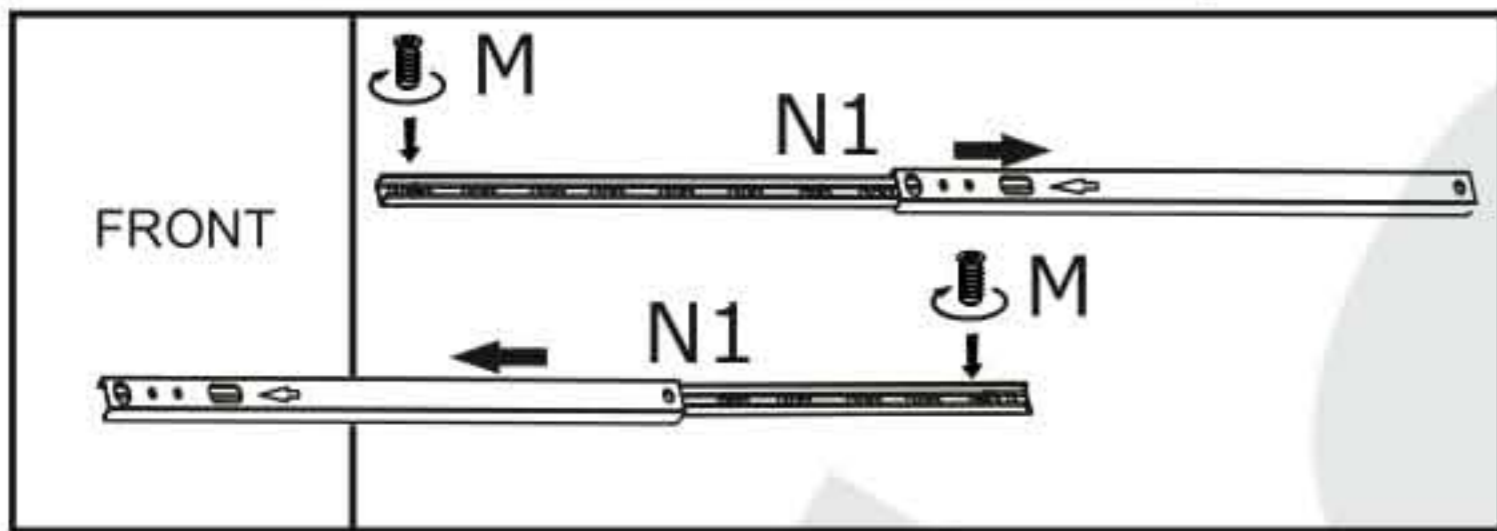
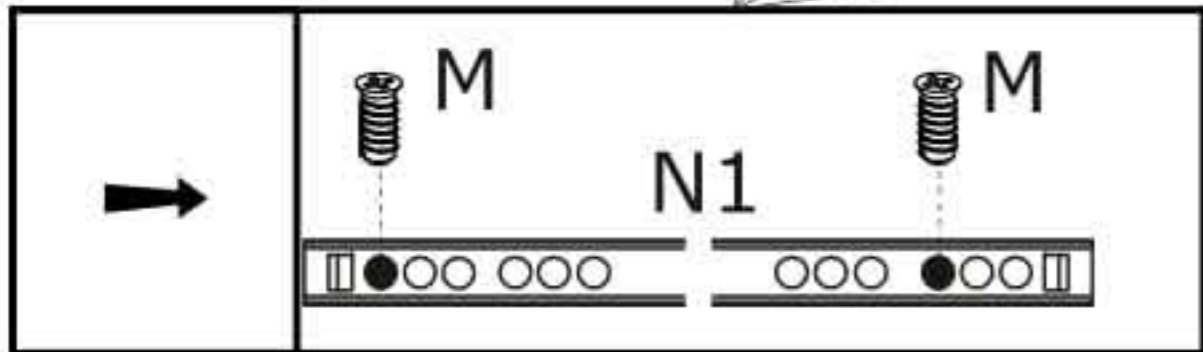
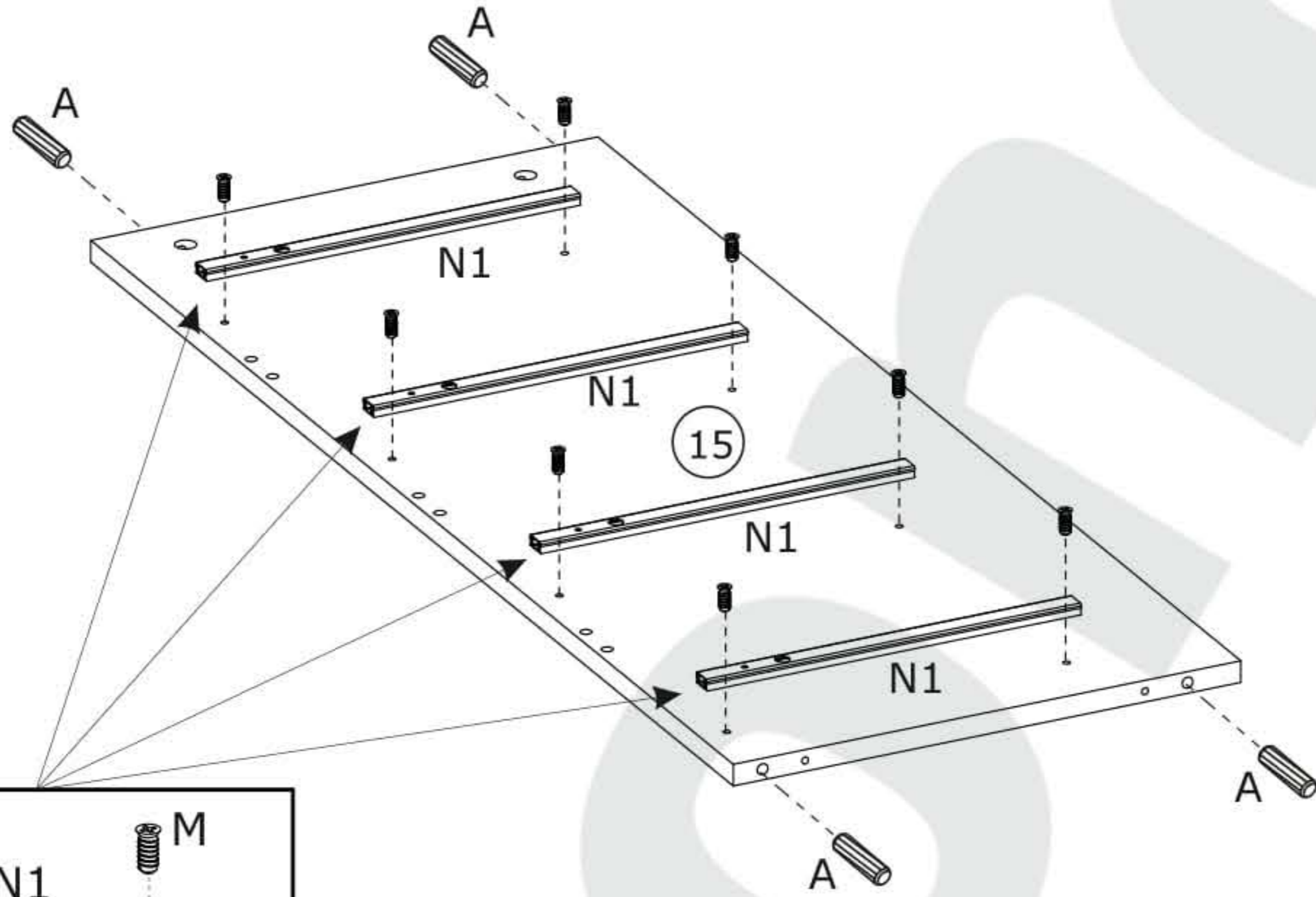
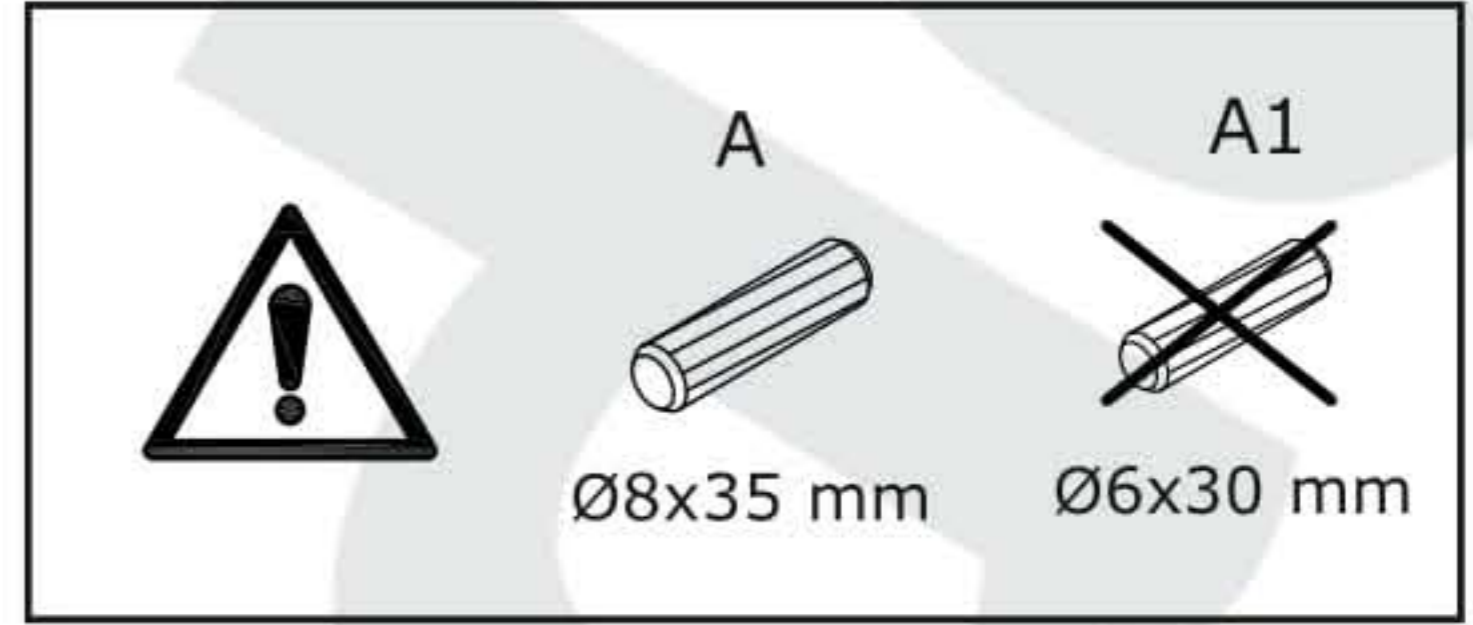
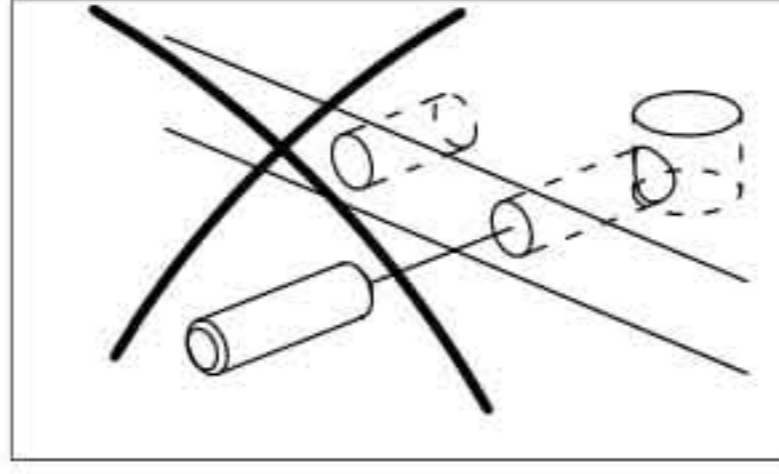
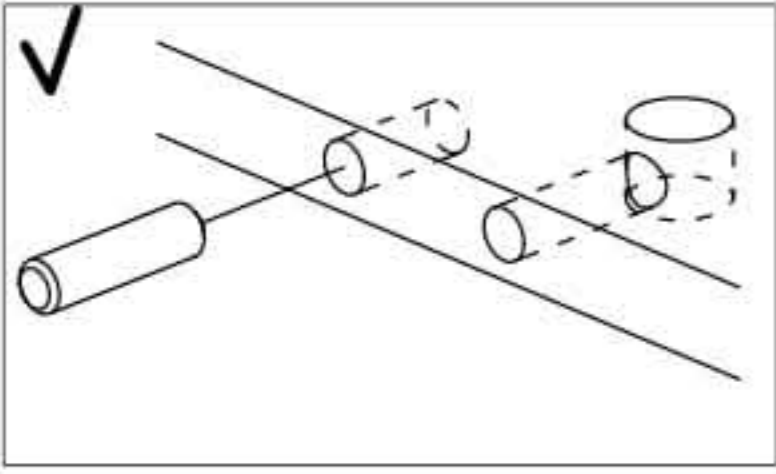
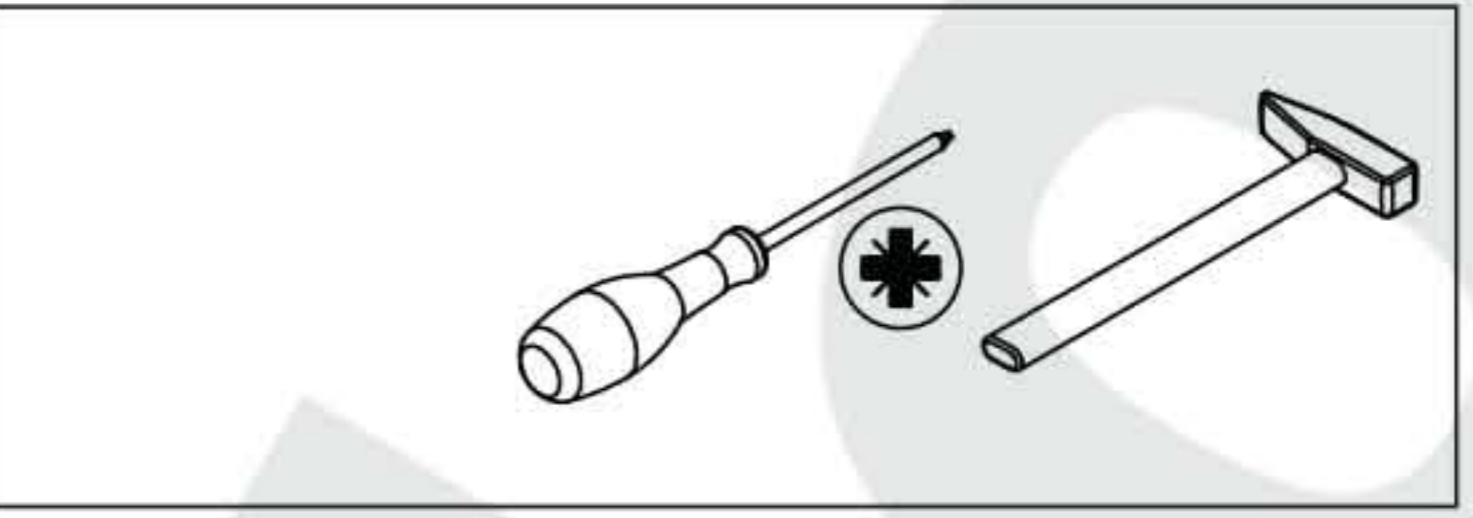
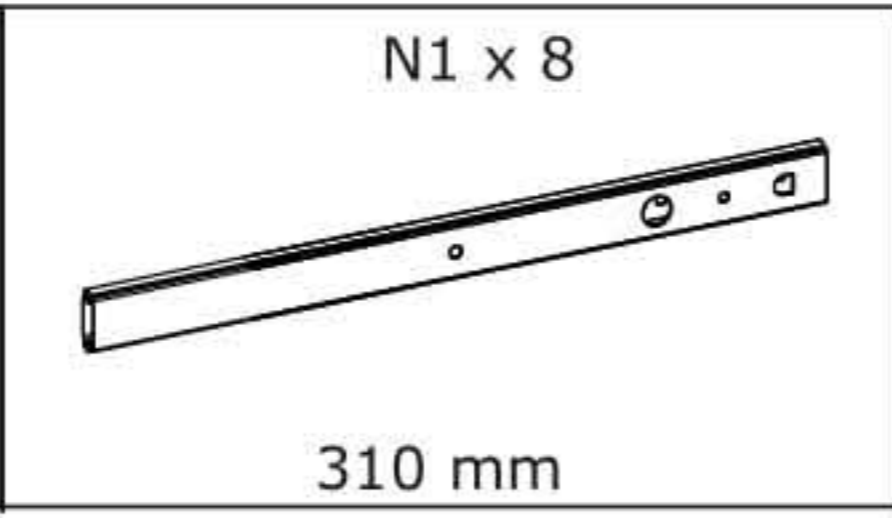
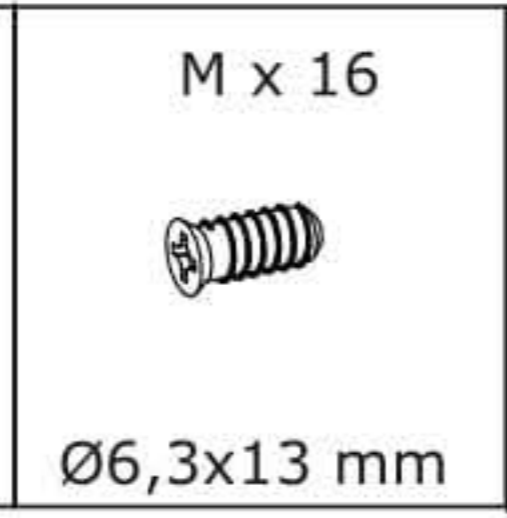
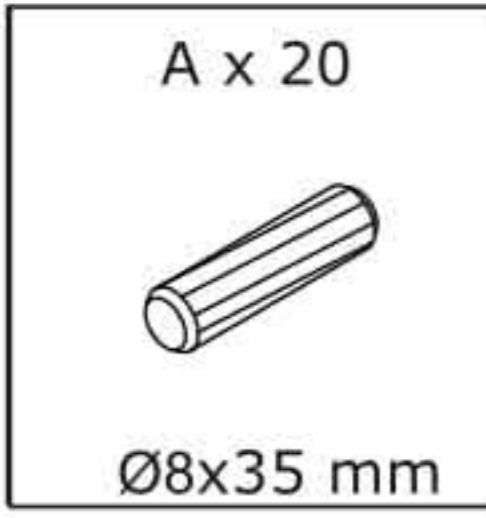
620x105x12 mm



996x678x3 mm

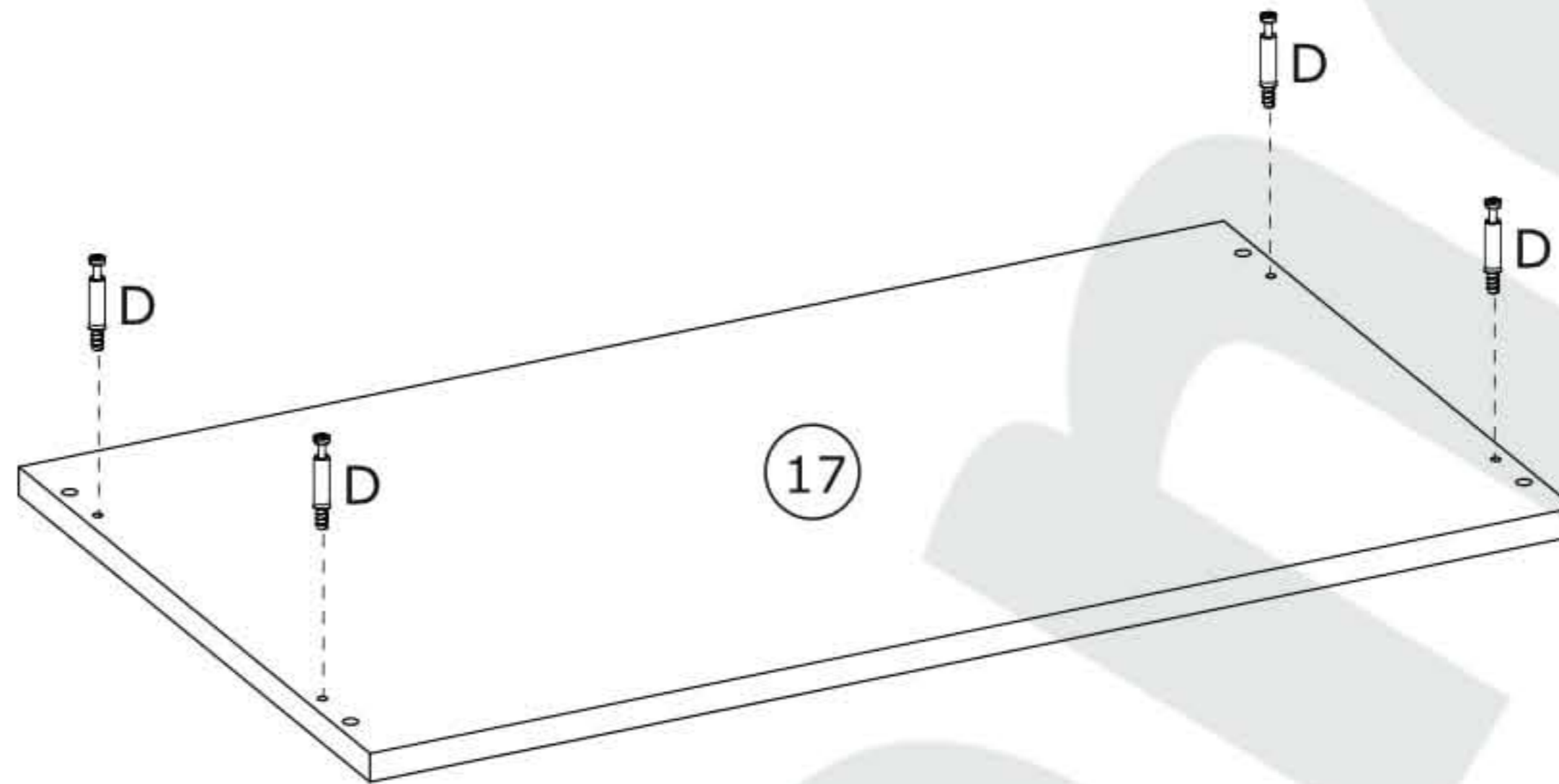
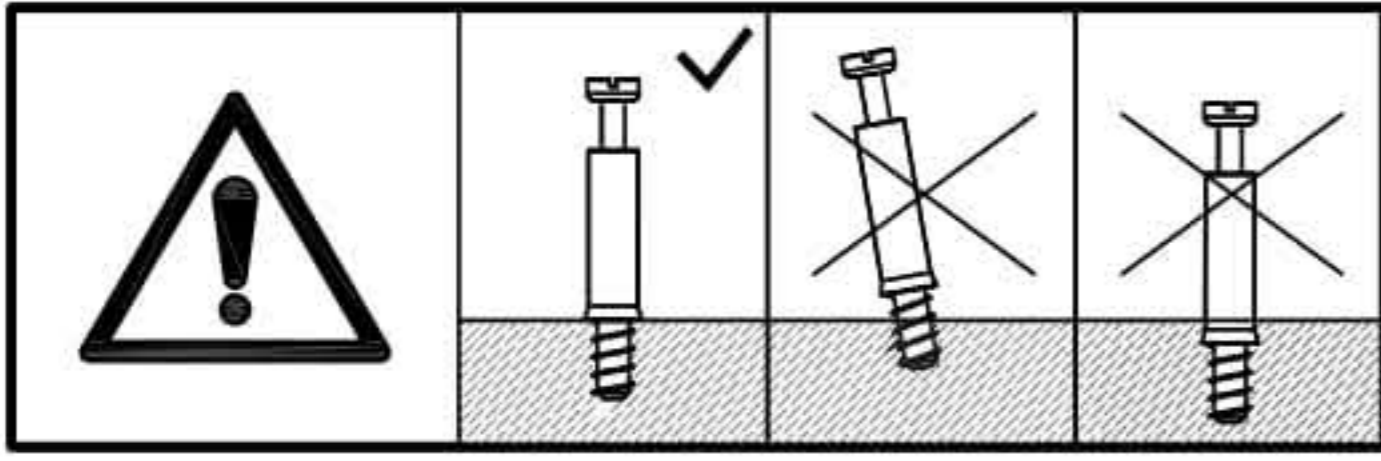
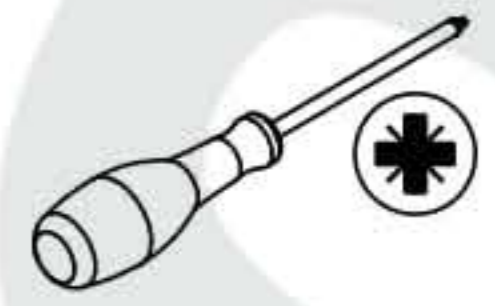


1

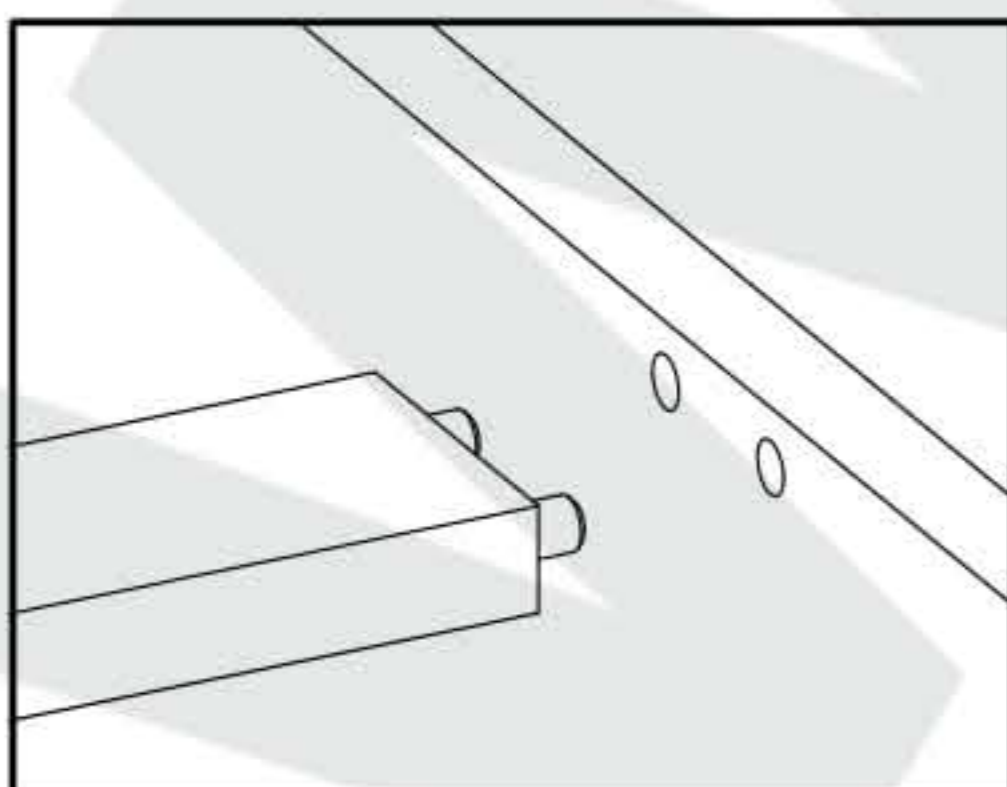
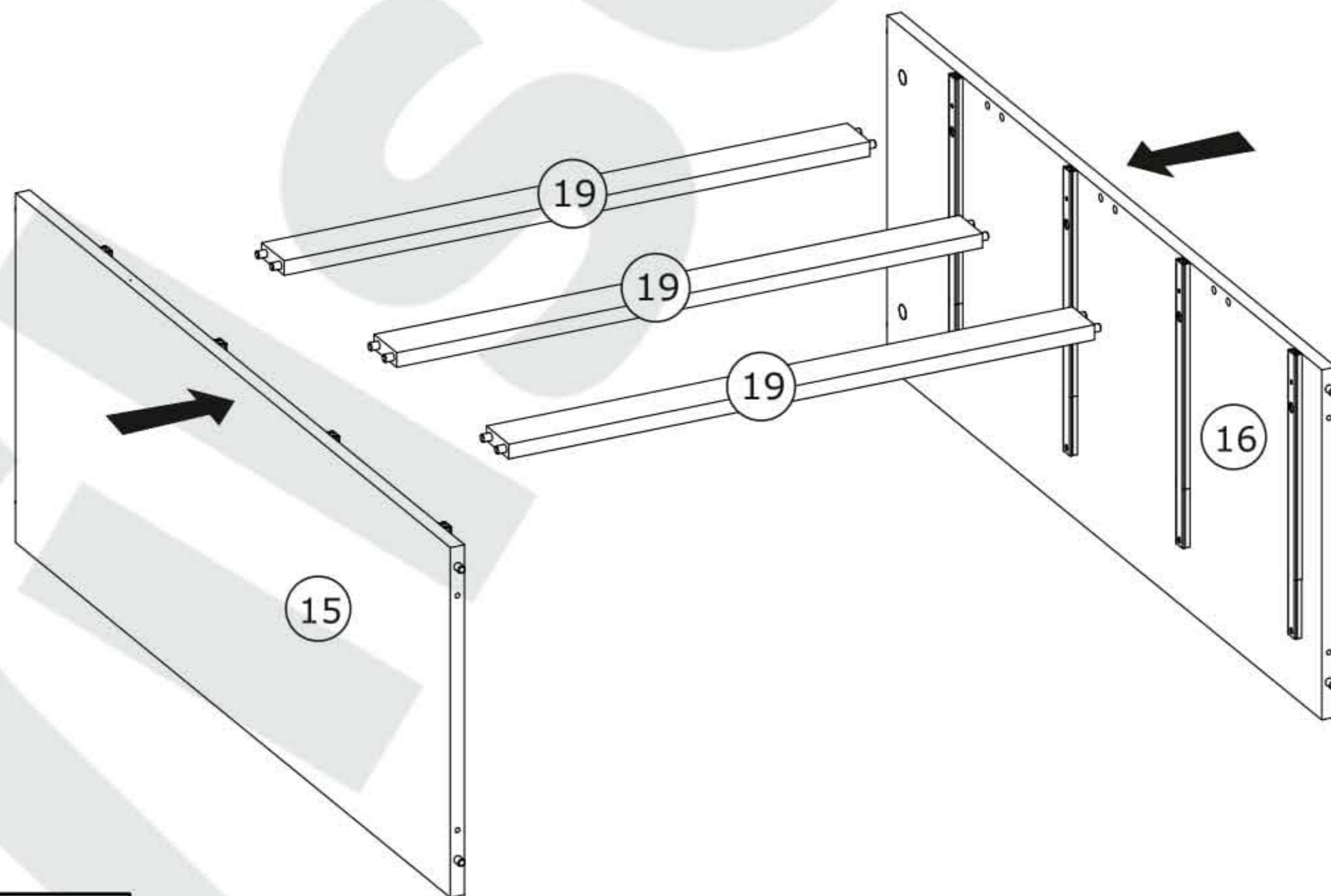


2

D x 4
Ø5x44 mm

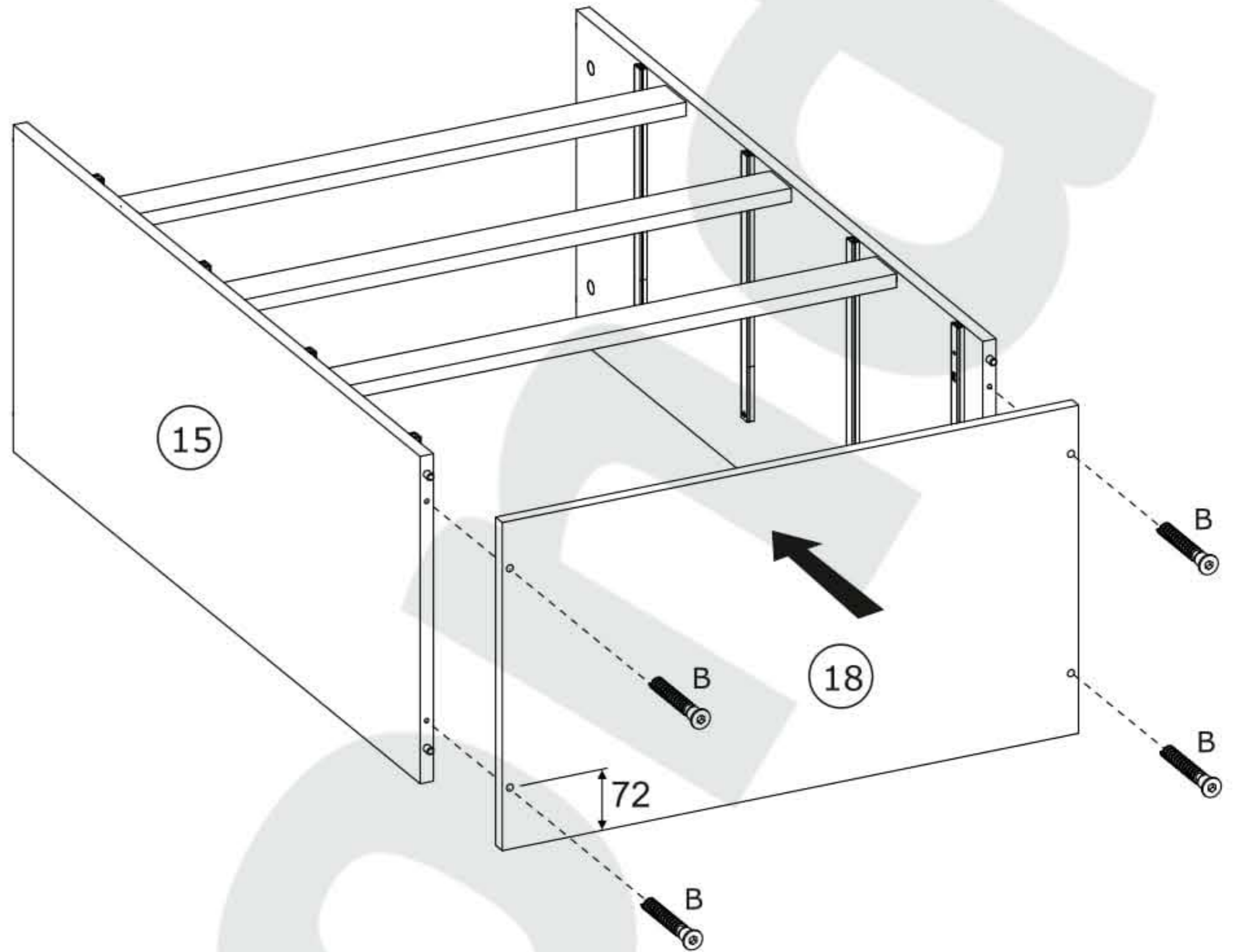
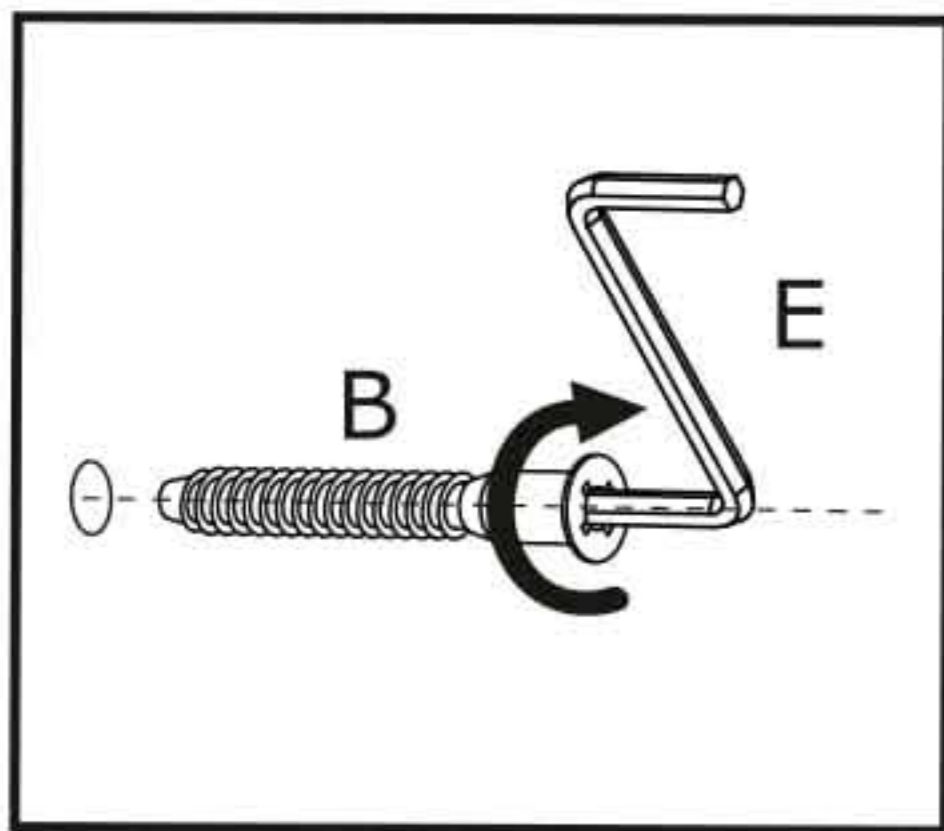
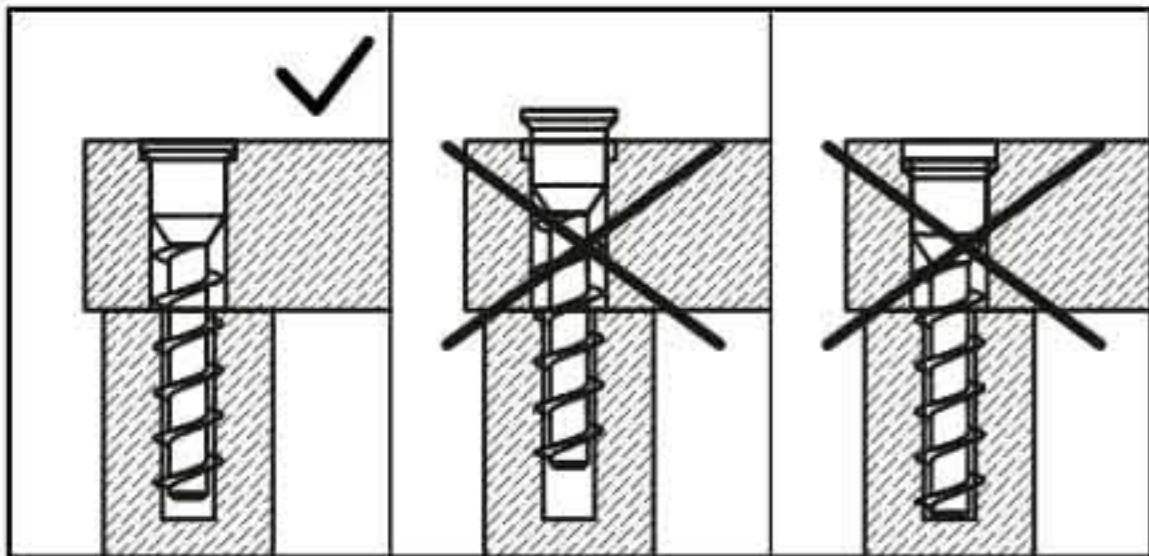


3



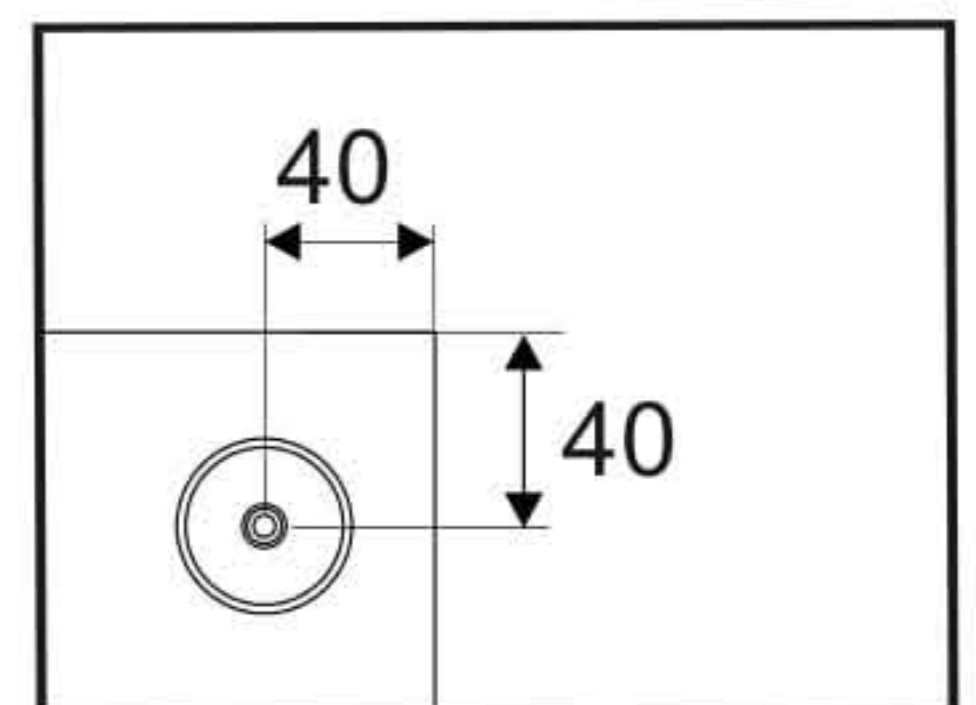
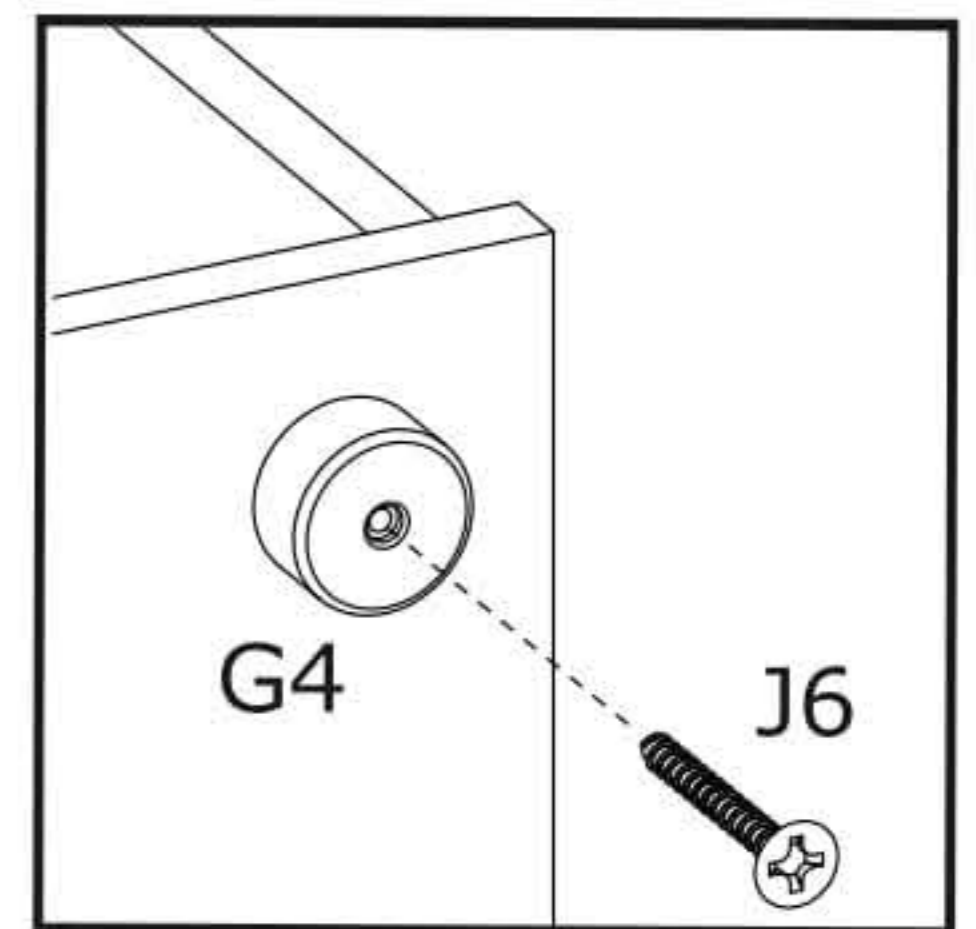
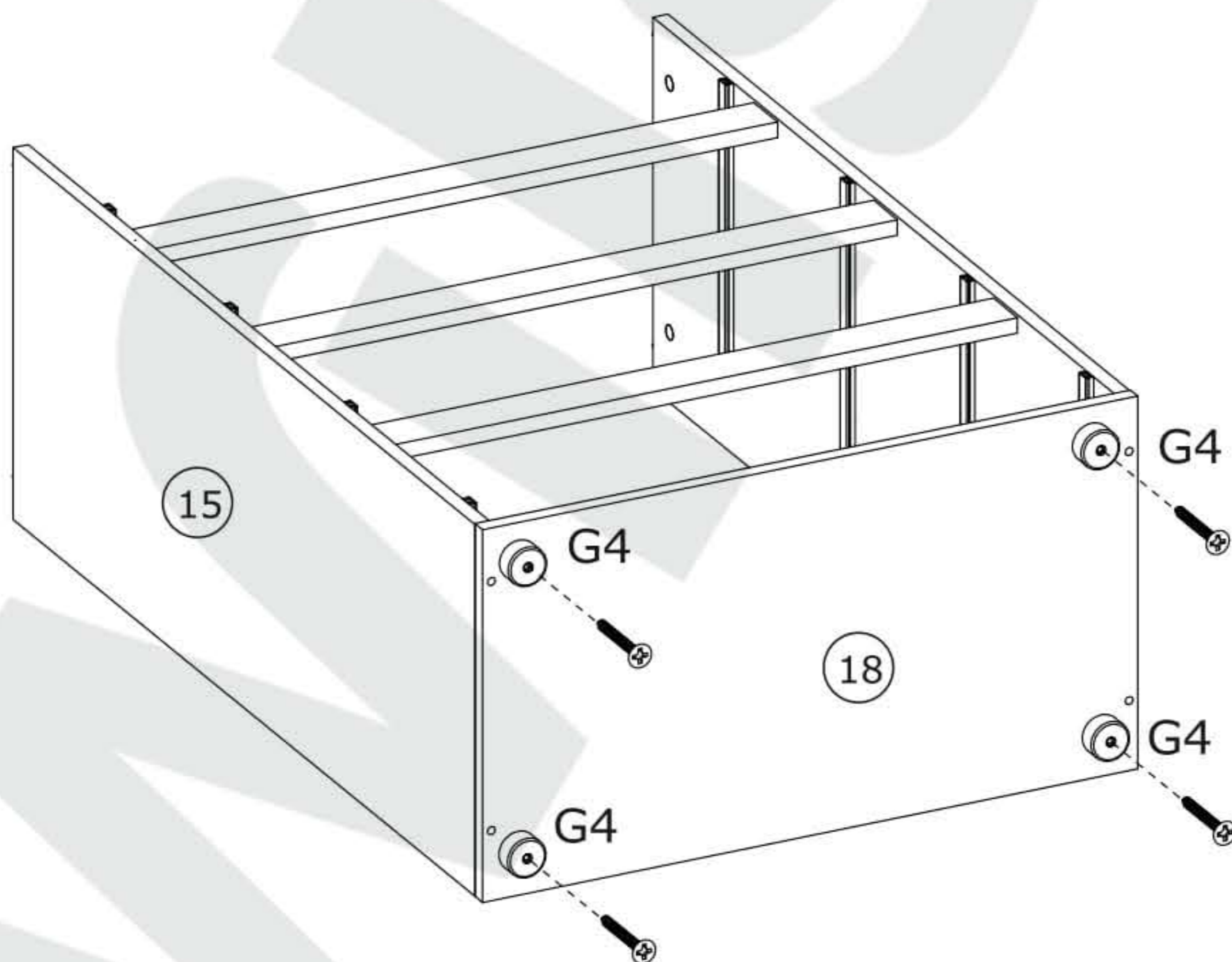
4

B x 4  Ø7x50 mm	E x 1  ● 4 mm	
--	--	--





5

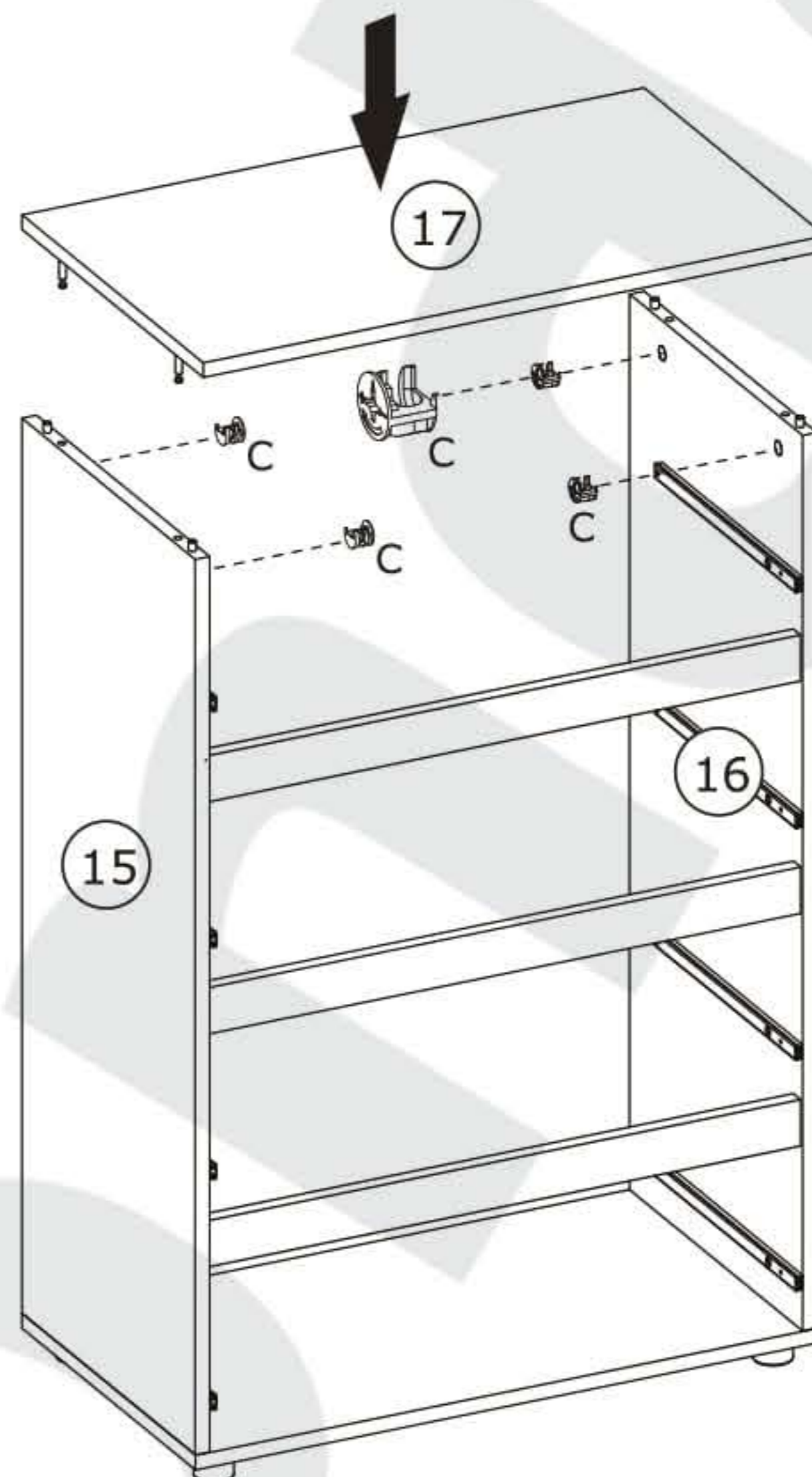
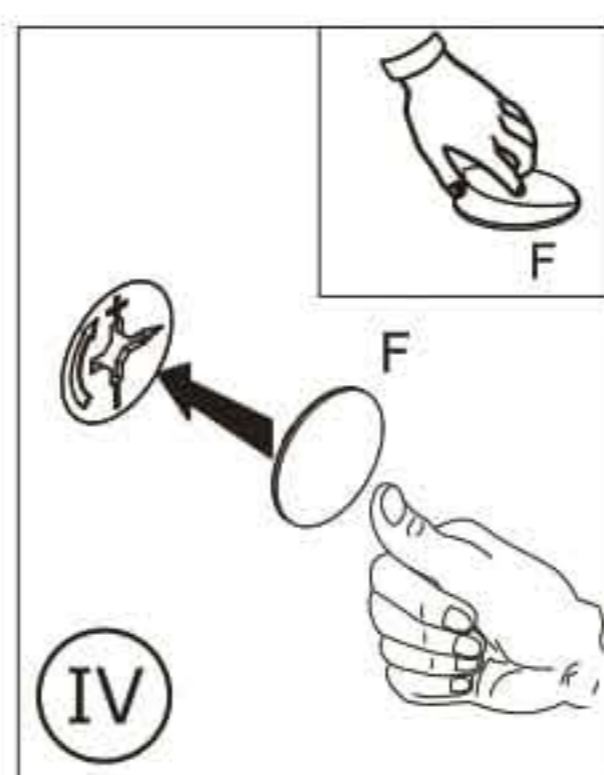
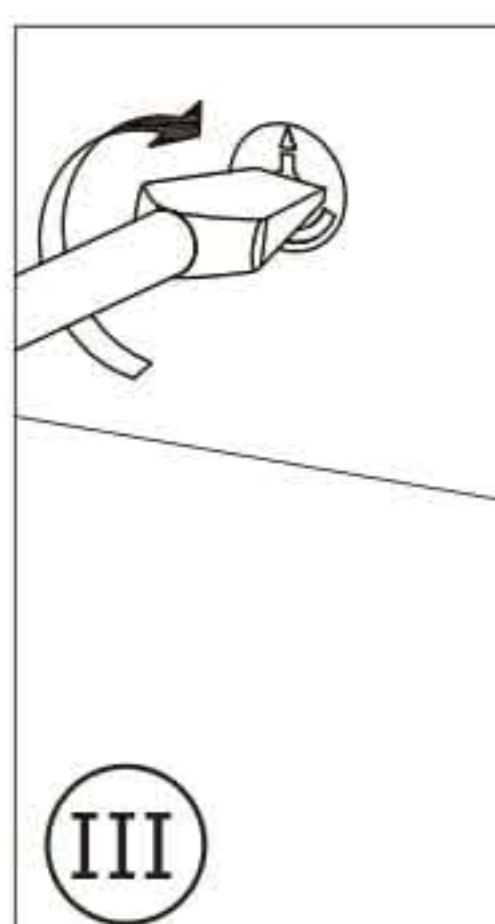
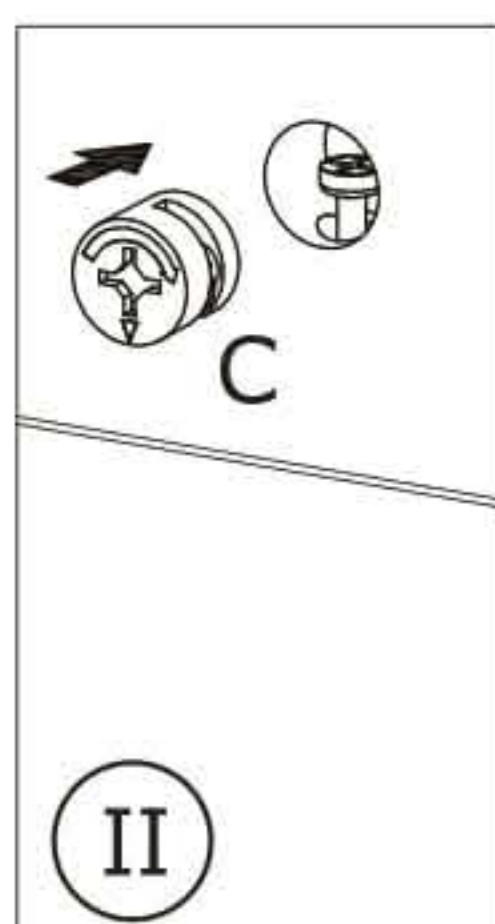
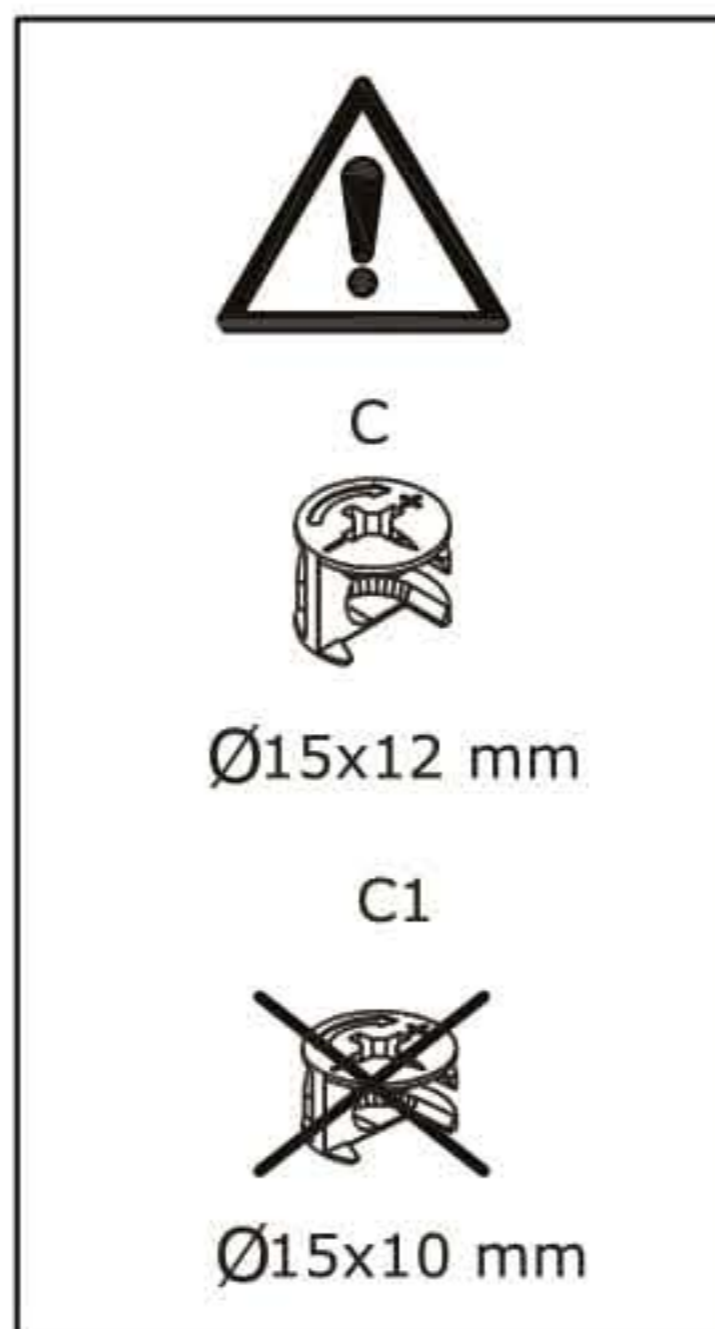
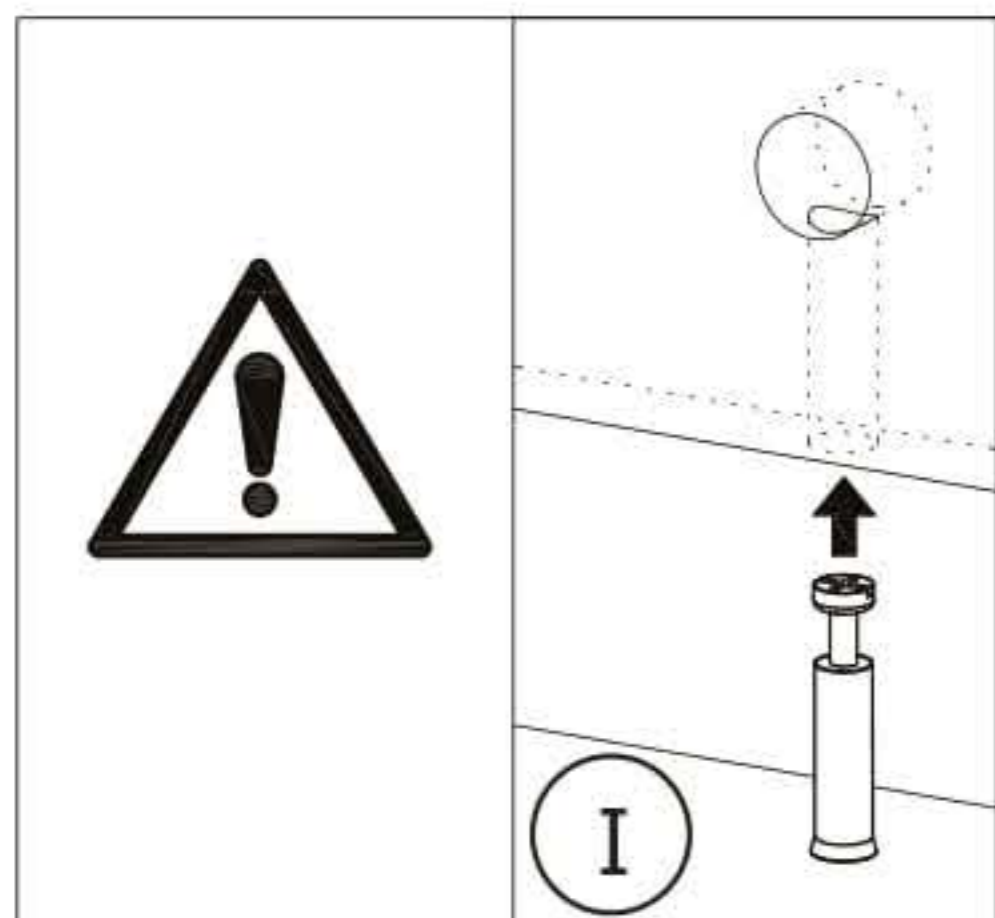
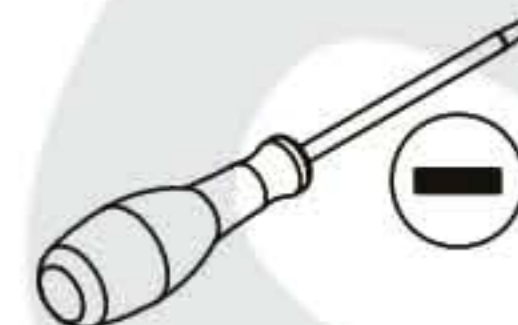
G4 x 4 	J6 x 4  4x30 mm	
---	--	---



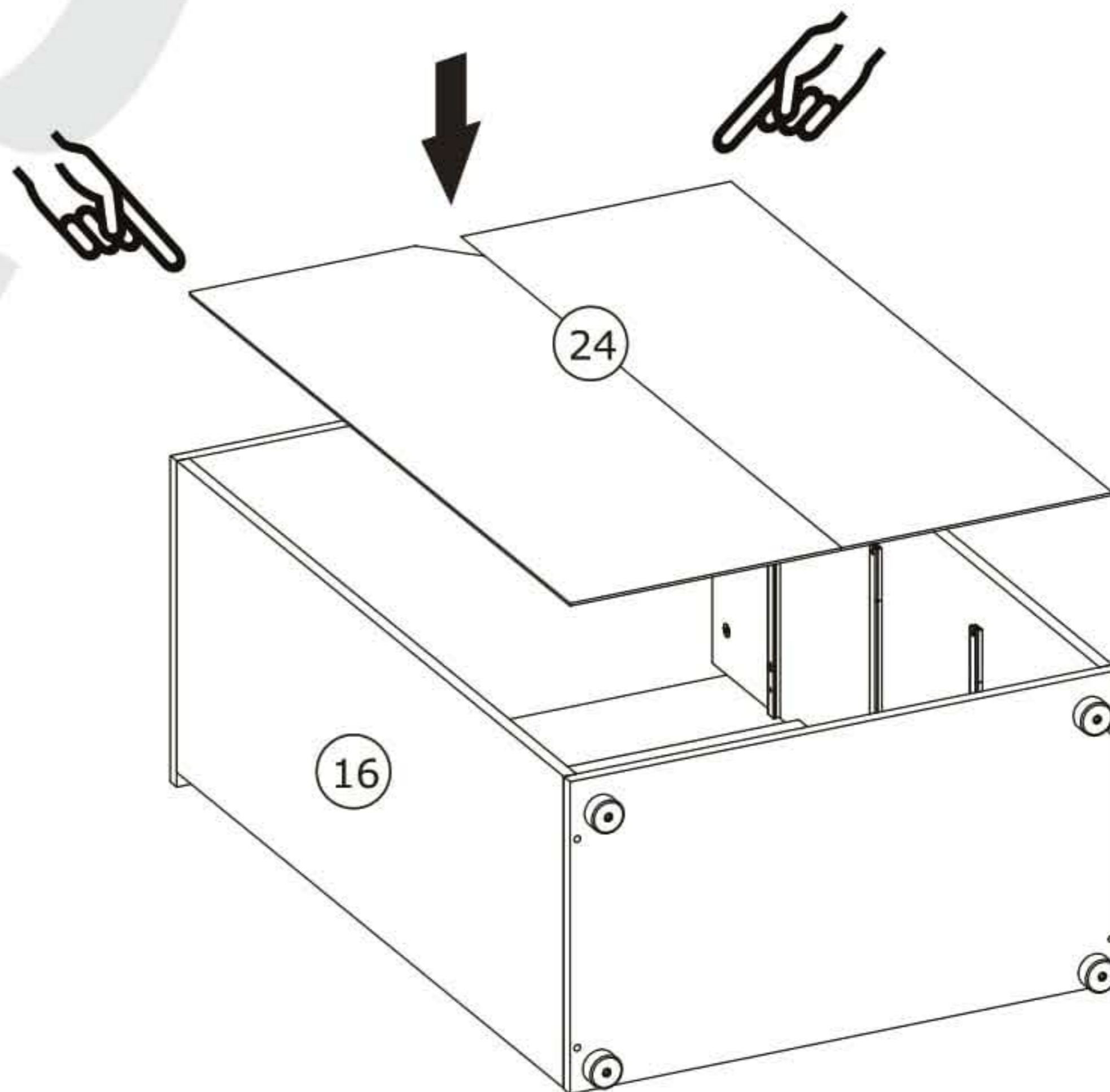
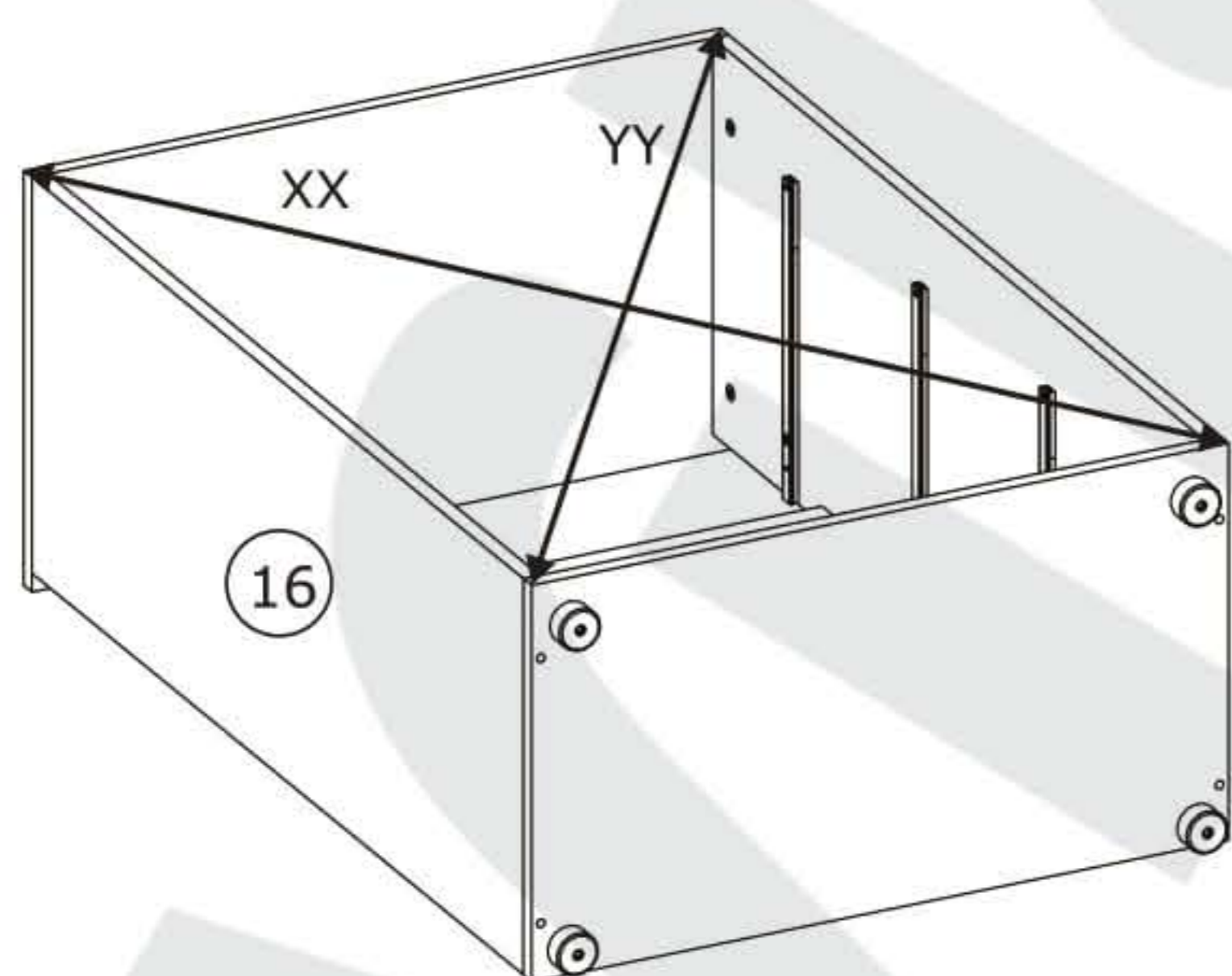
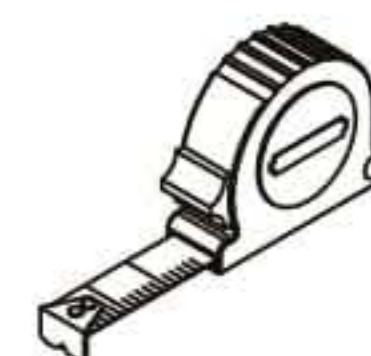
6


C x 4

Ø15x12 mm

F x 4

20 mm



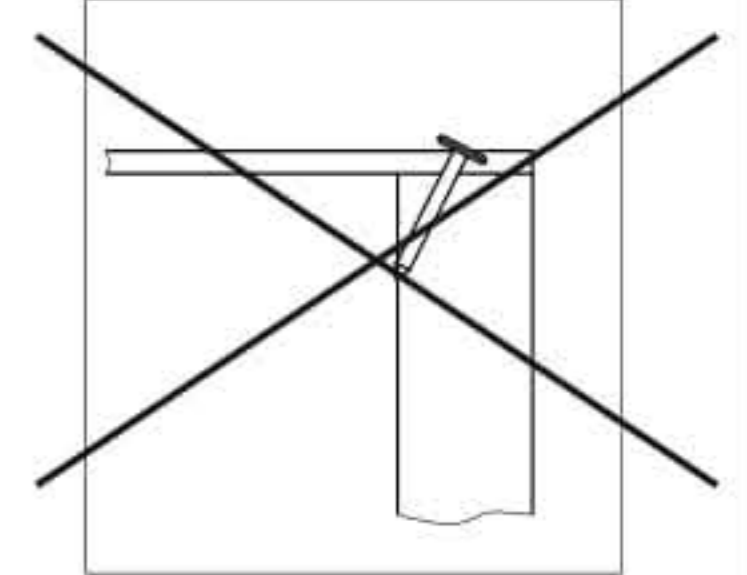
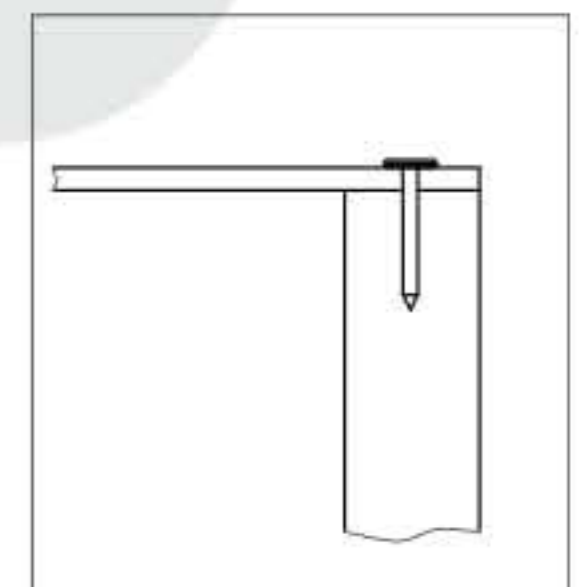
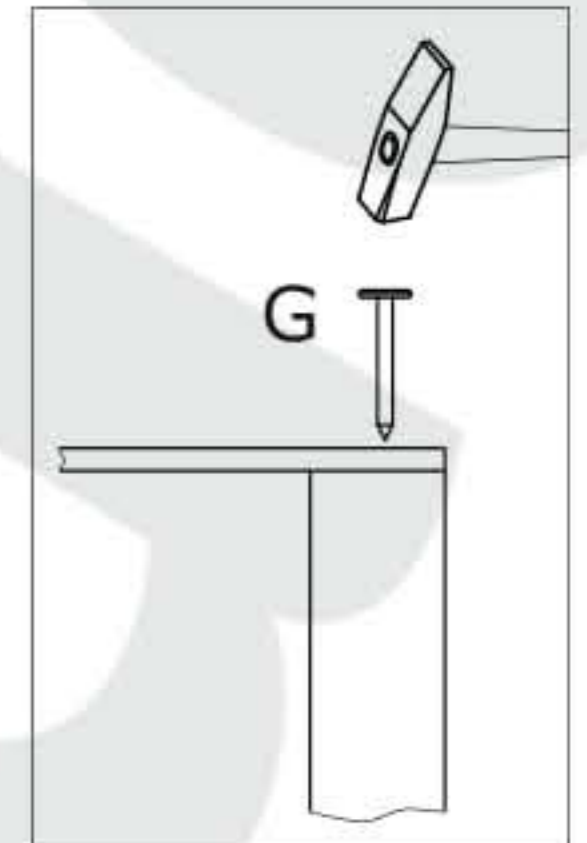
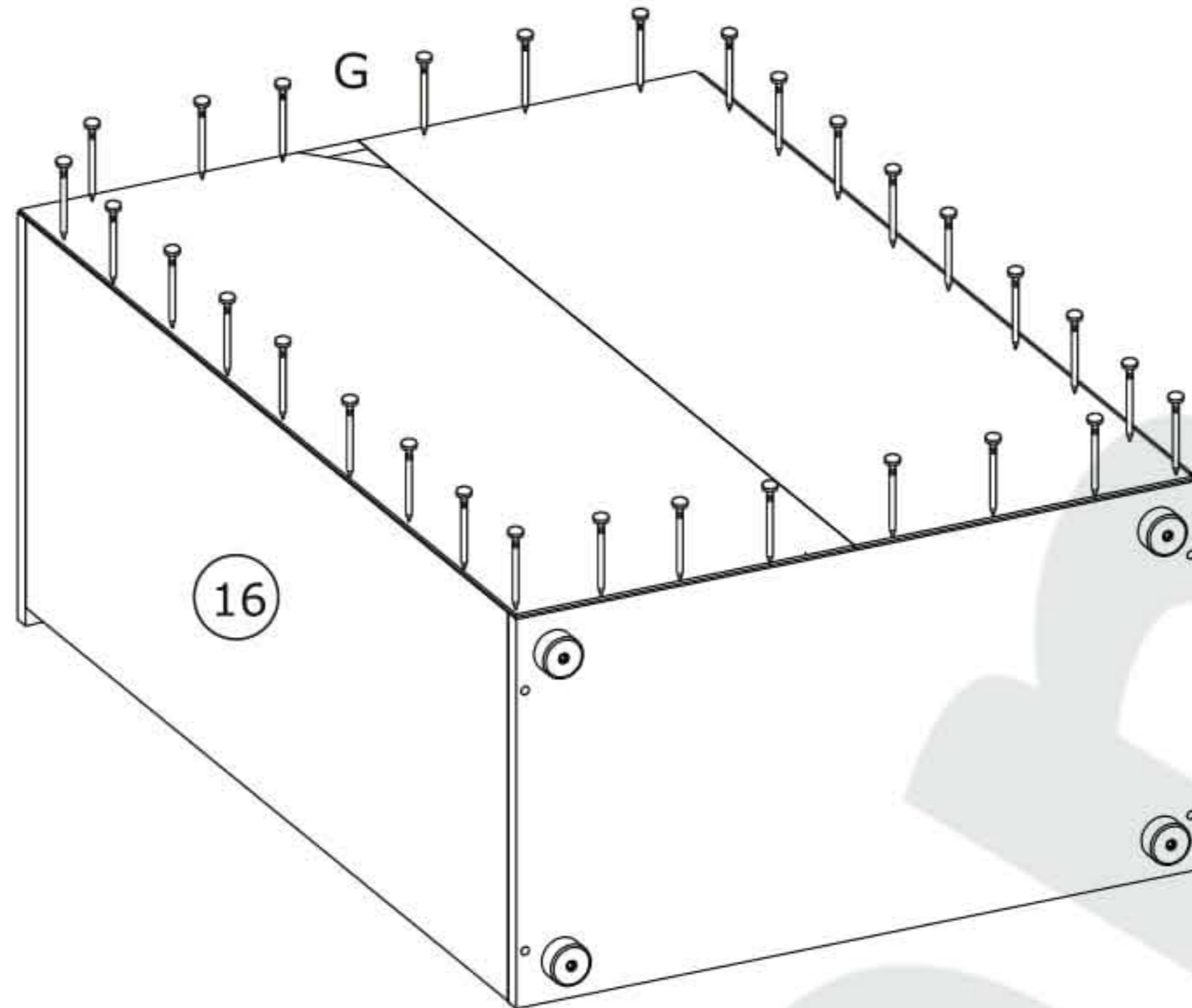
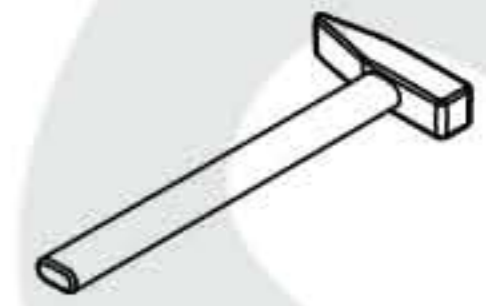
7



 $XX = YY = 90^\circ$

8

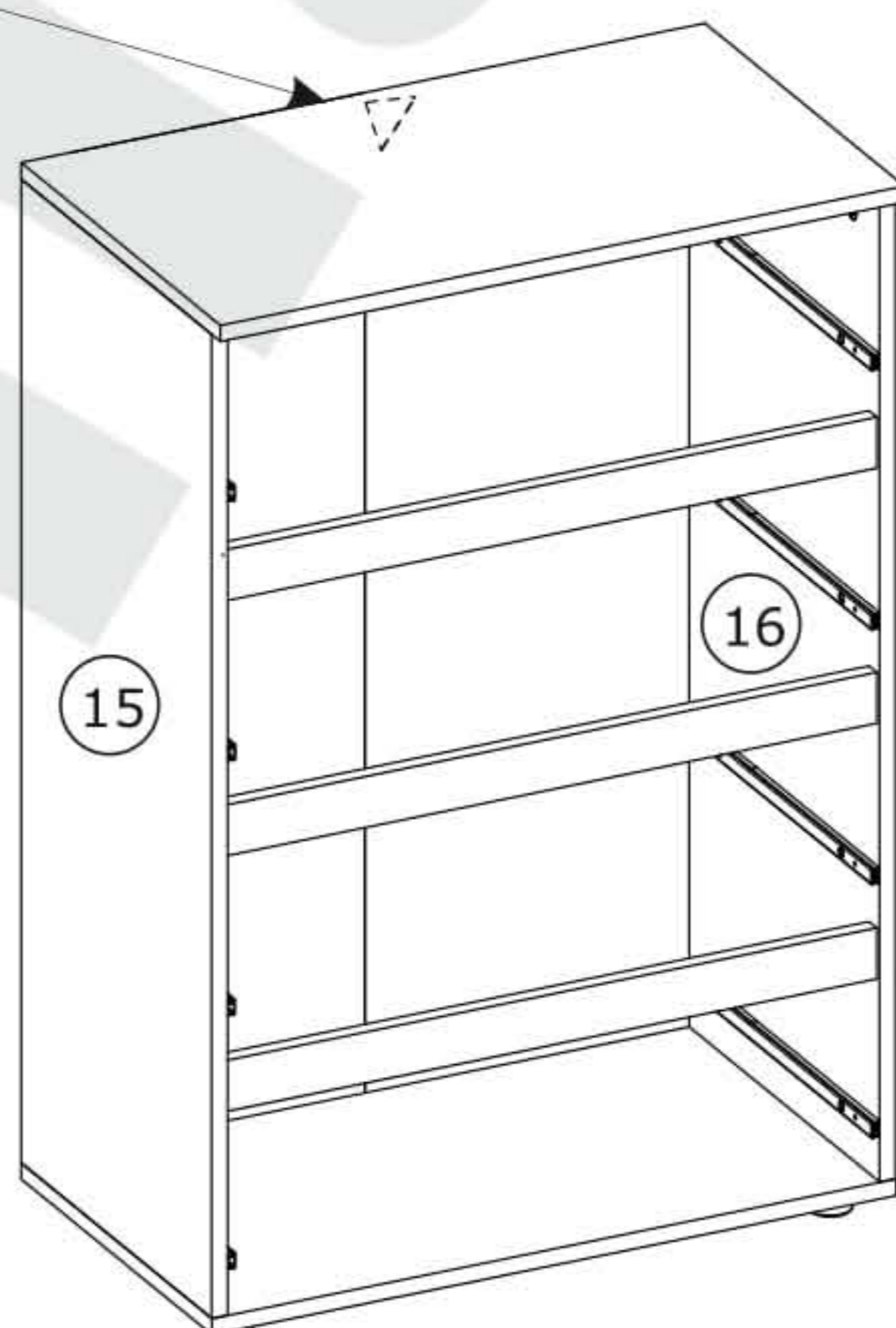
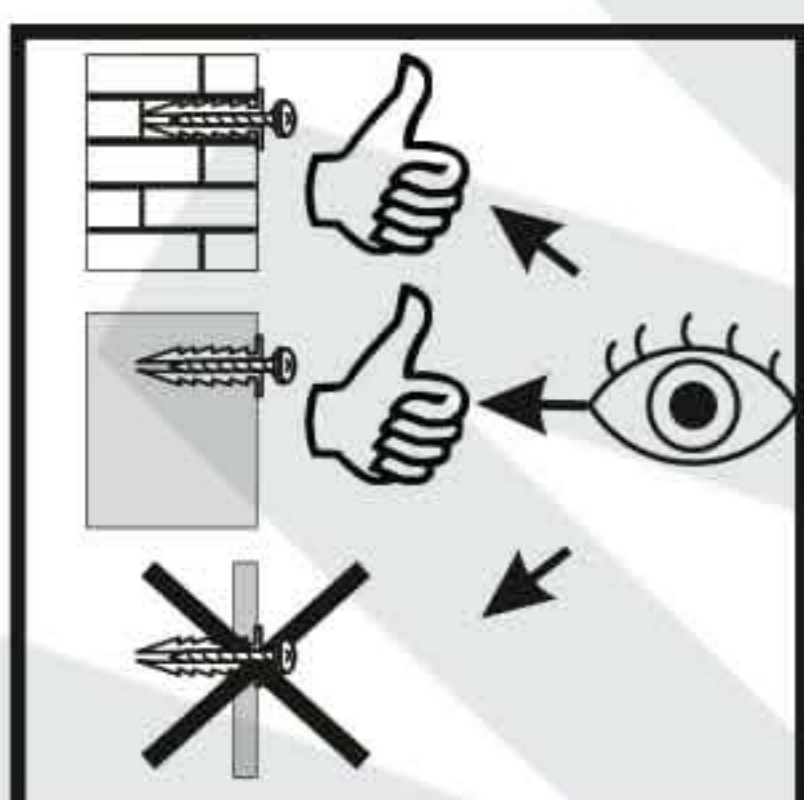
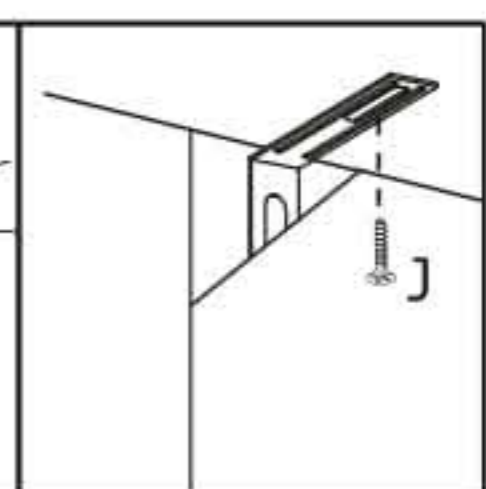
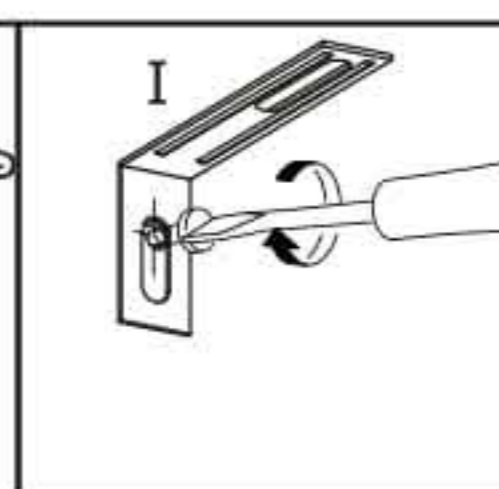
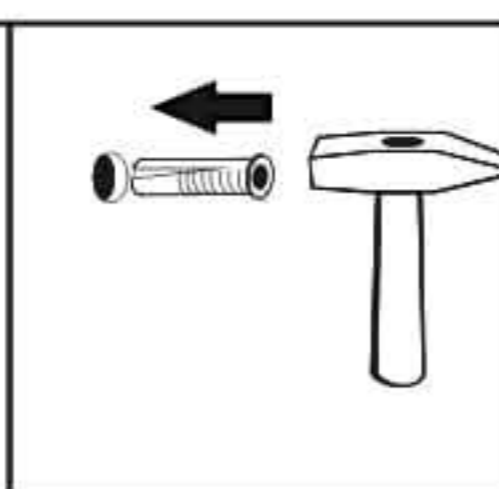
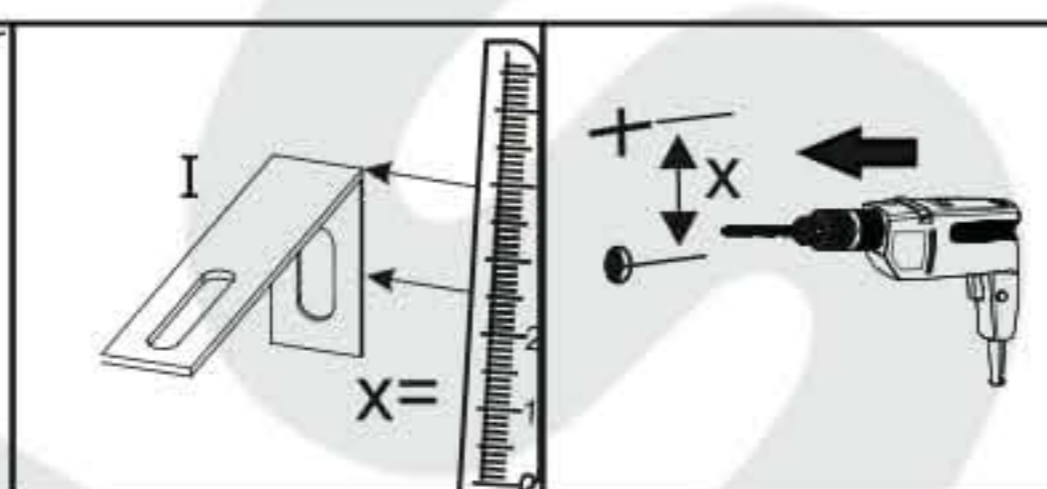
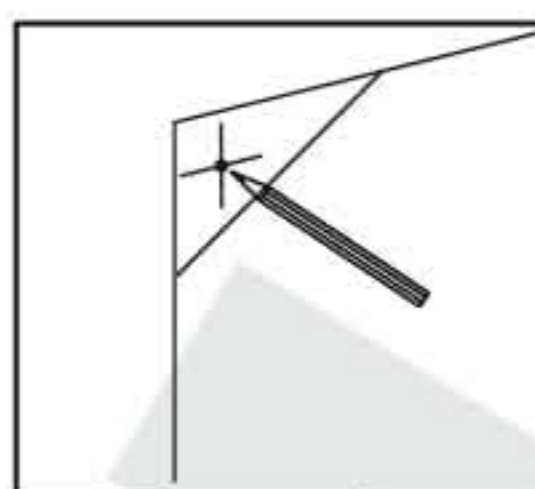
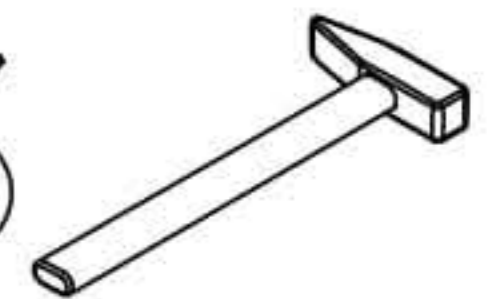
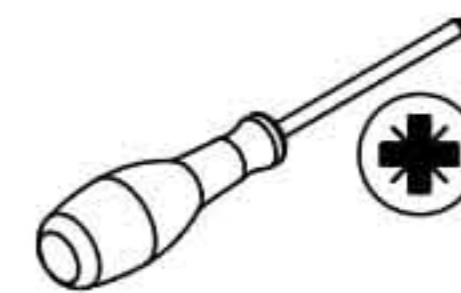
G x 24
1.2x25 mm



9

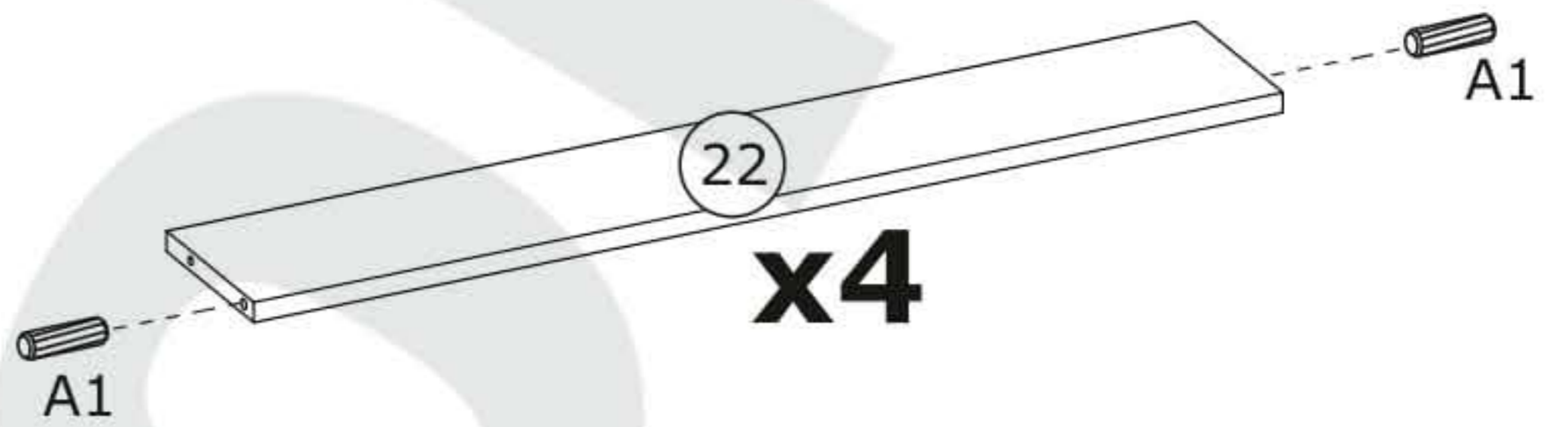
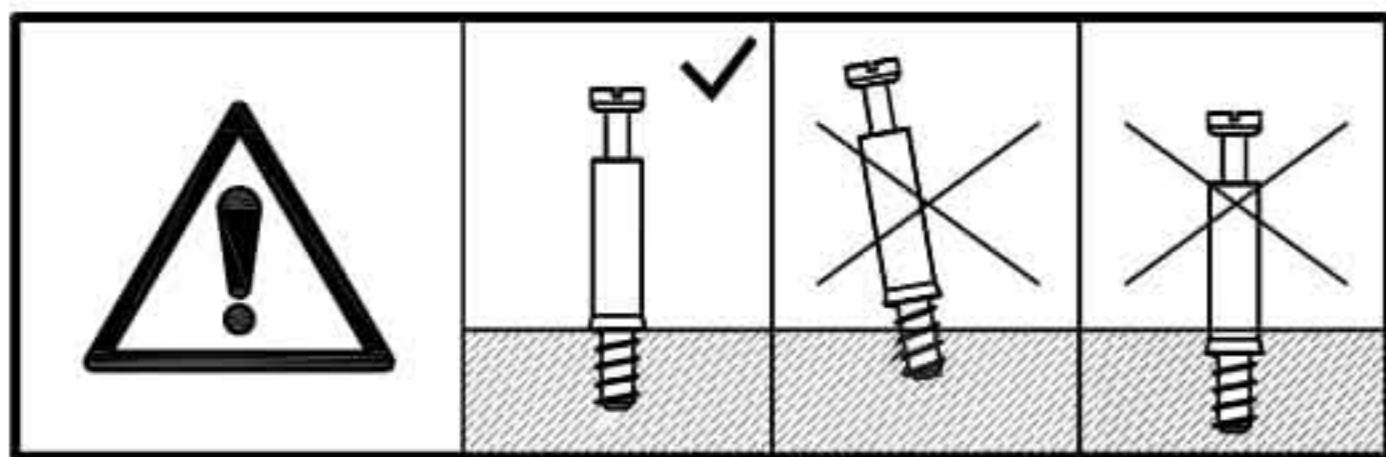
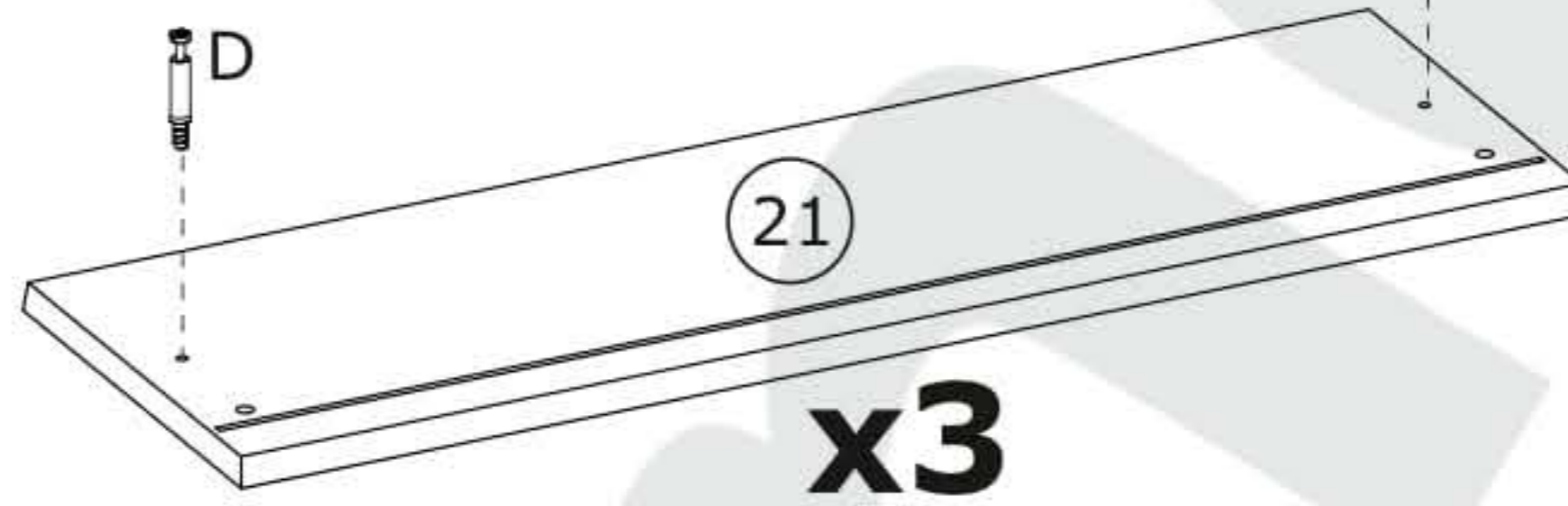
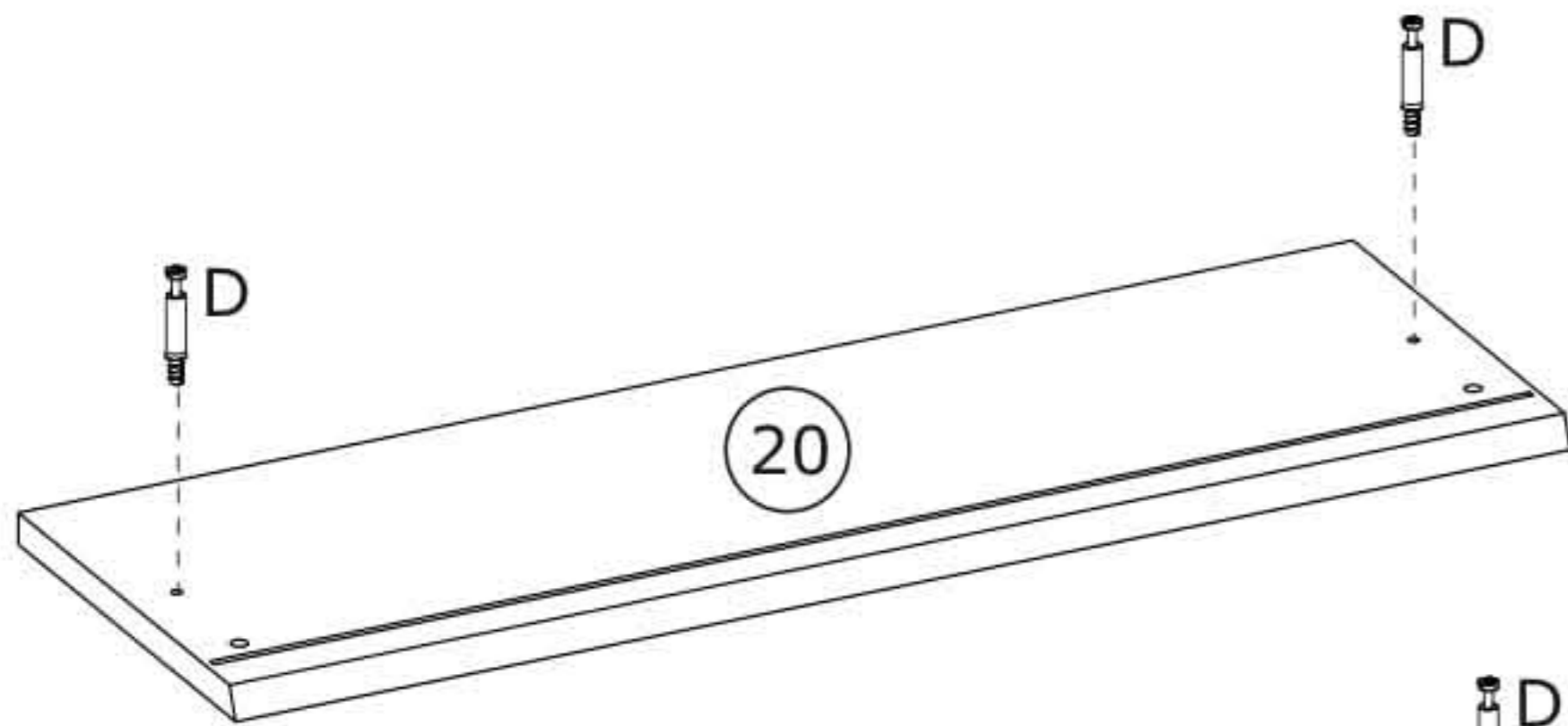
I x 1

J x 1
3,5x16 mm



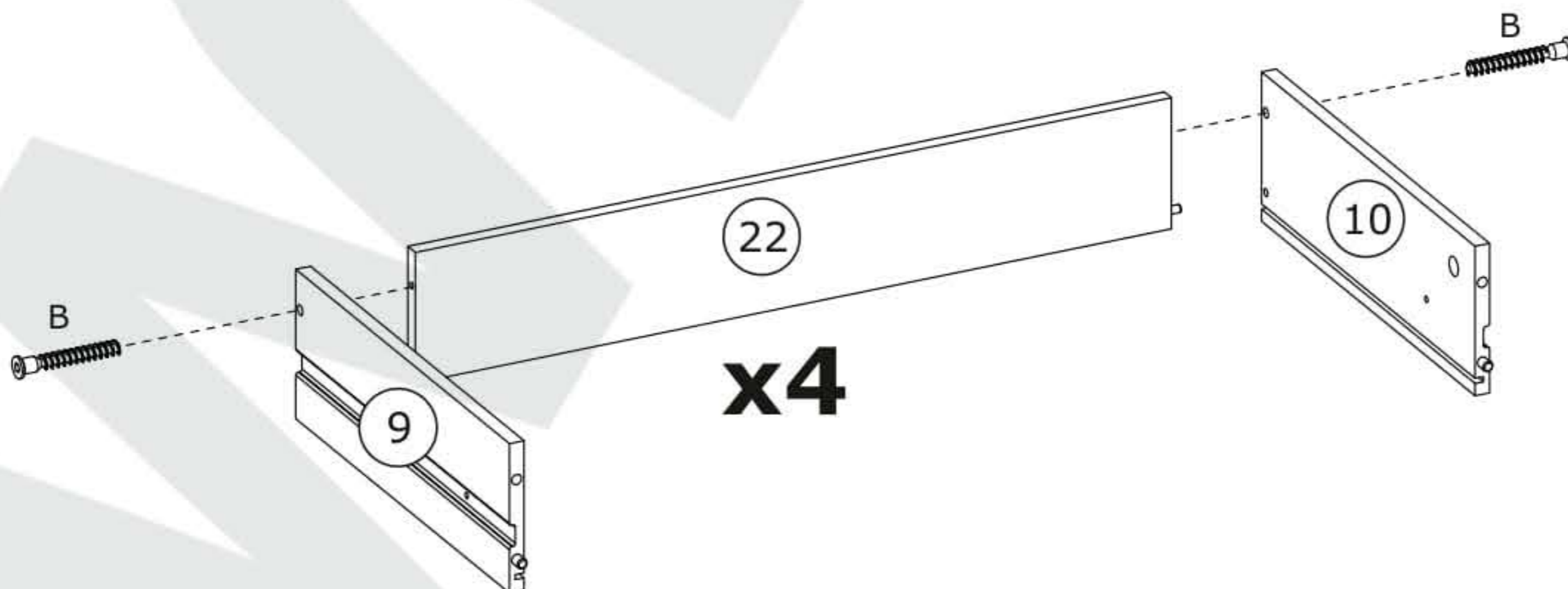
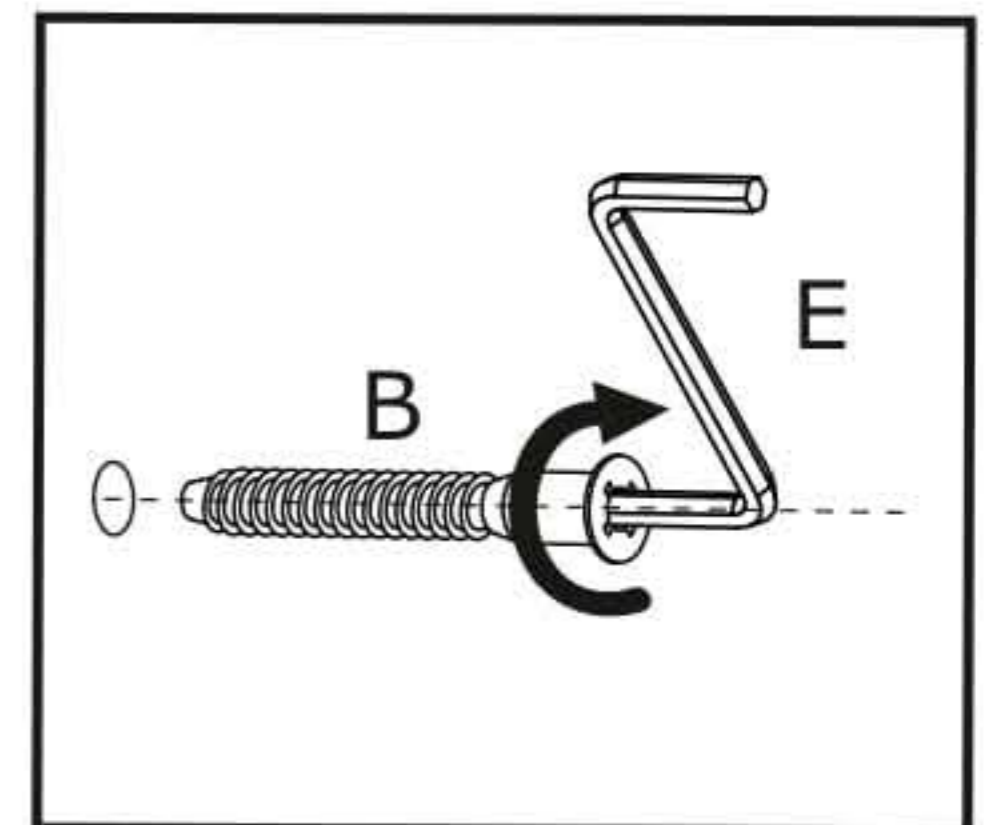
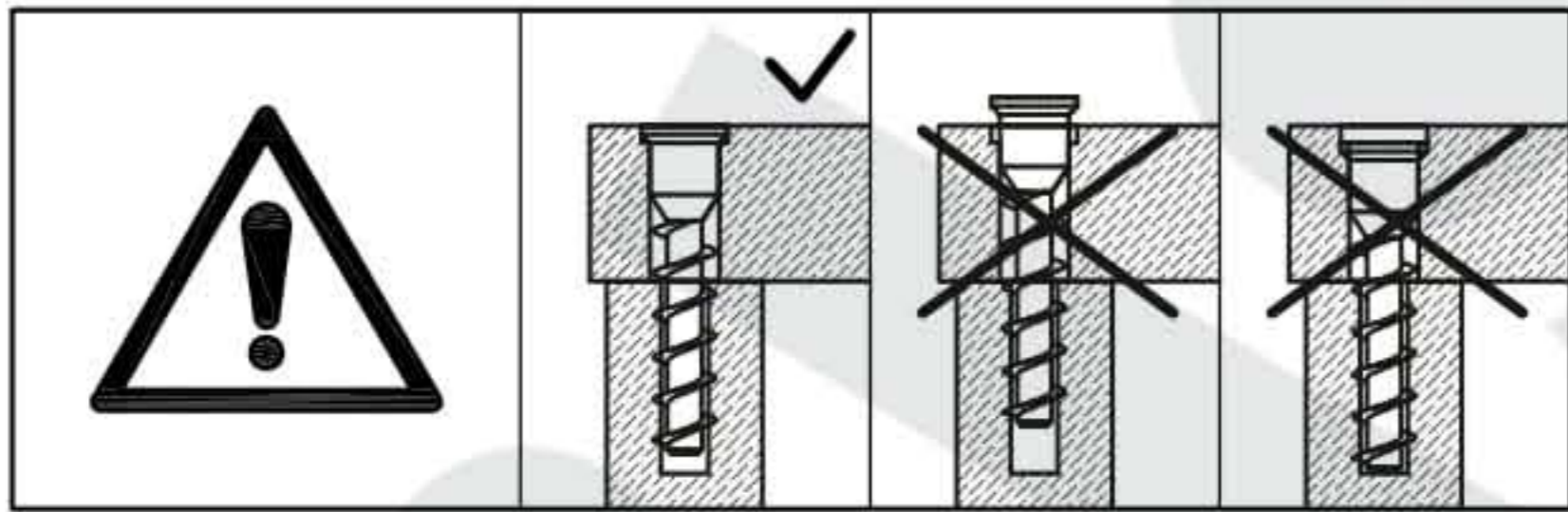
10

D x 8  Ø5x44 mm	A1 x 8  Ø6x30 mm	
--	---	---



11

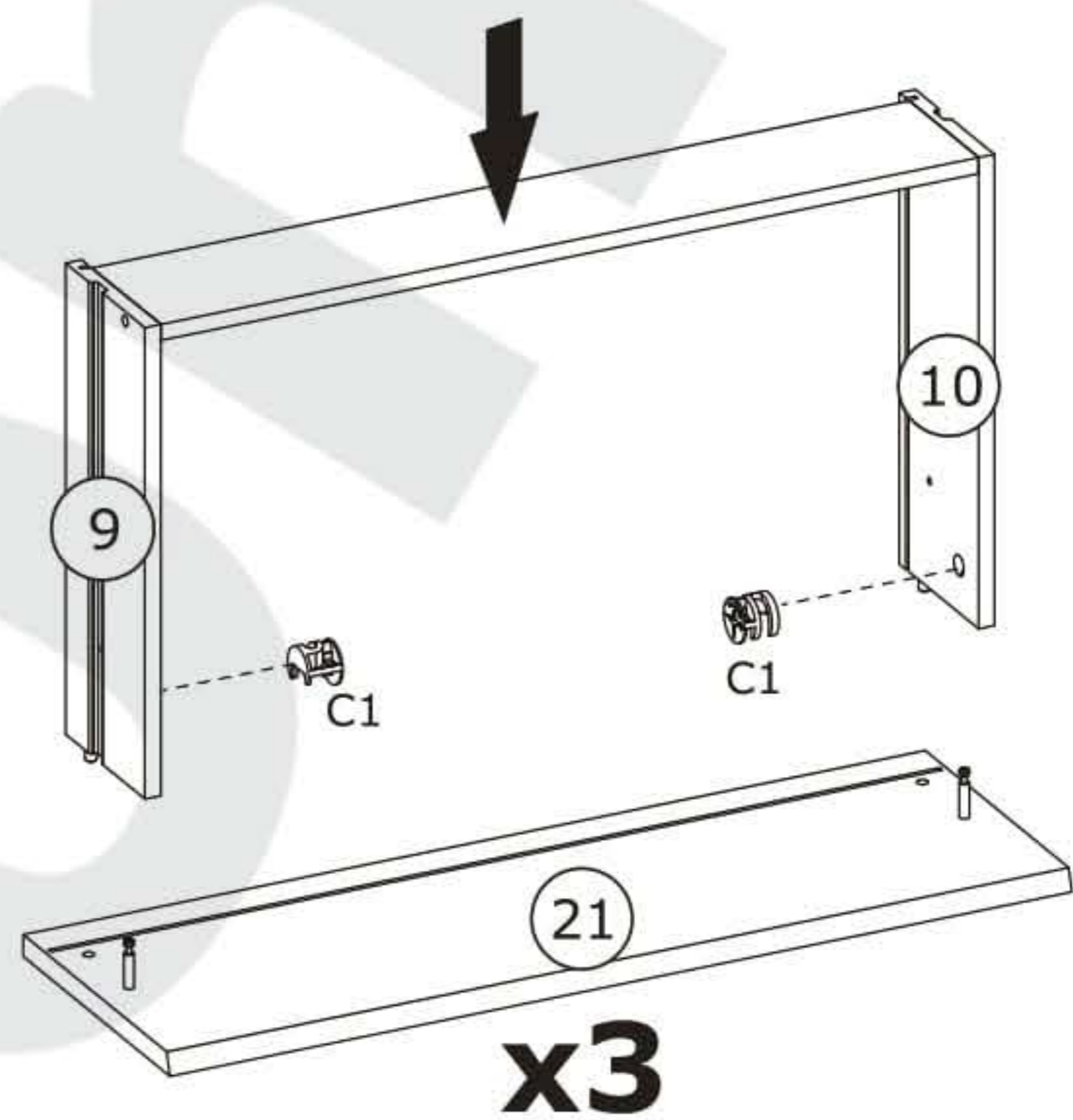
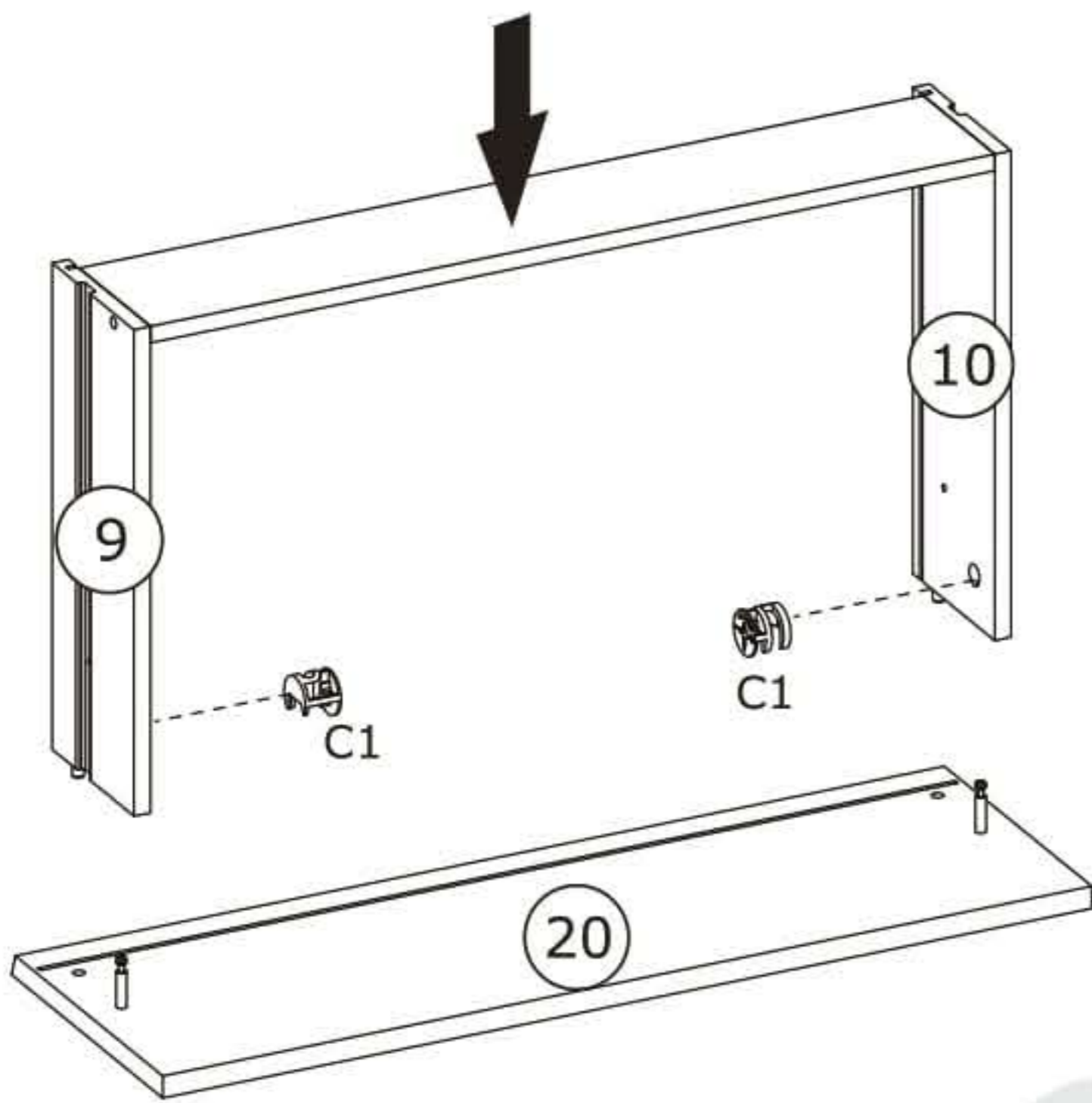
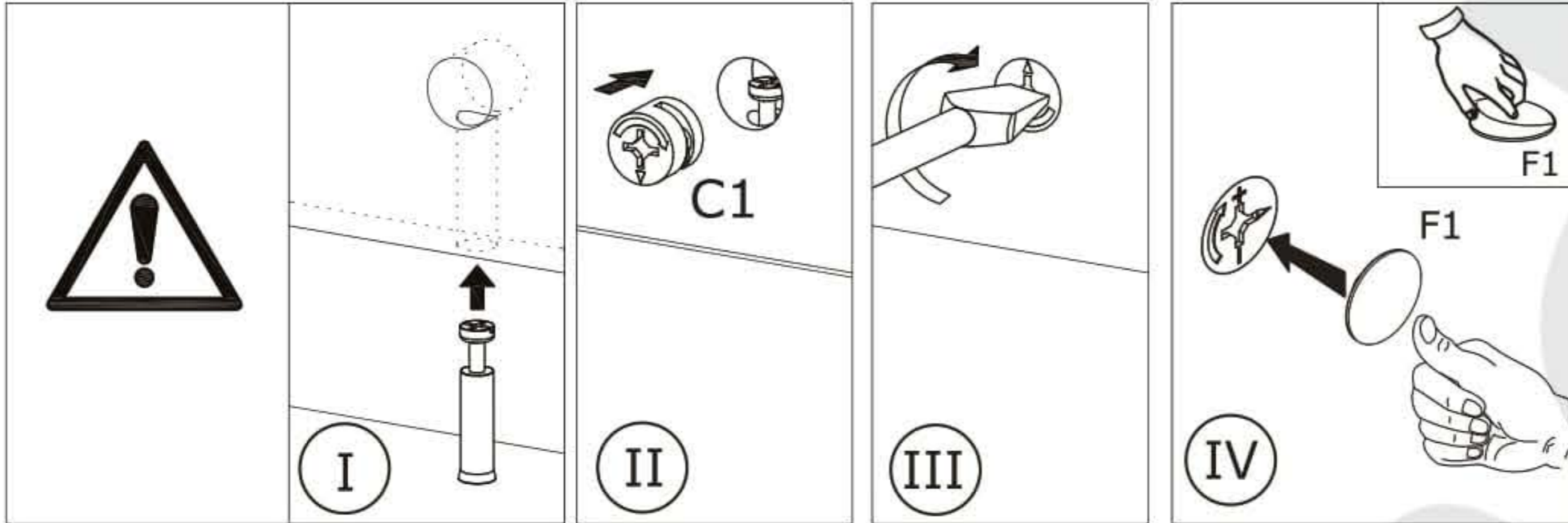
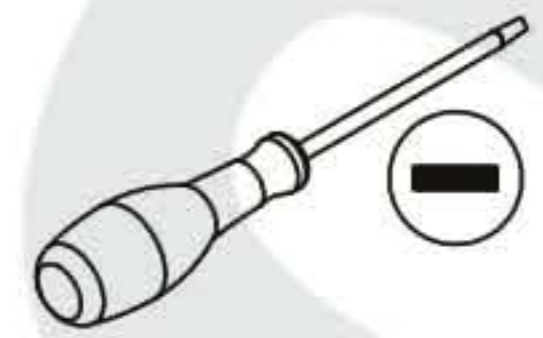
B x 8  Ø7x50 mm	E x 1  4 mm	
--	--	--



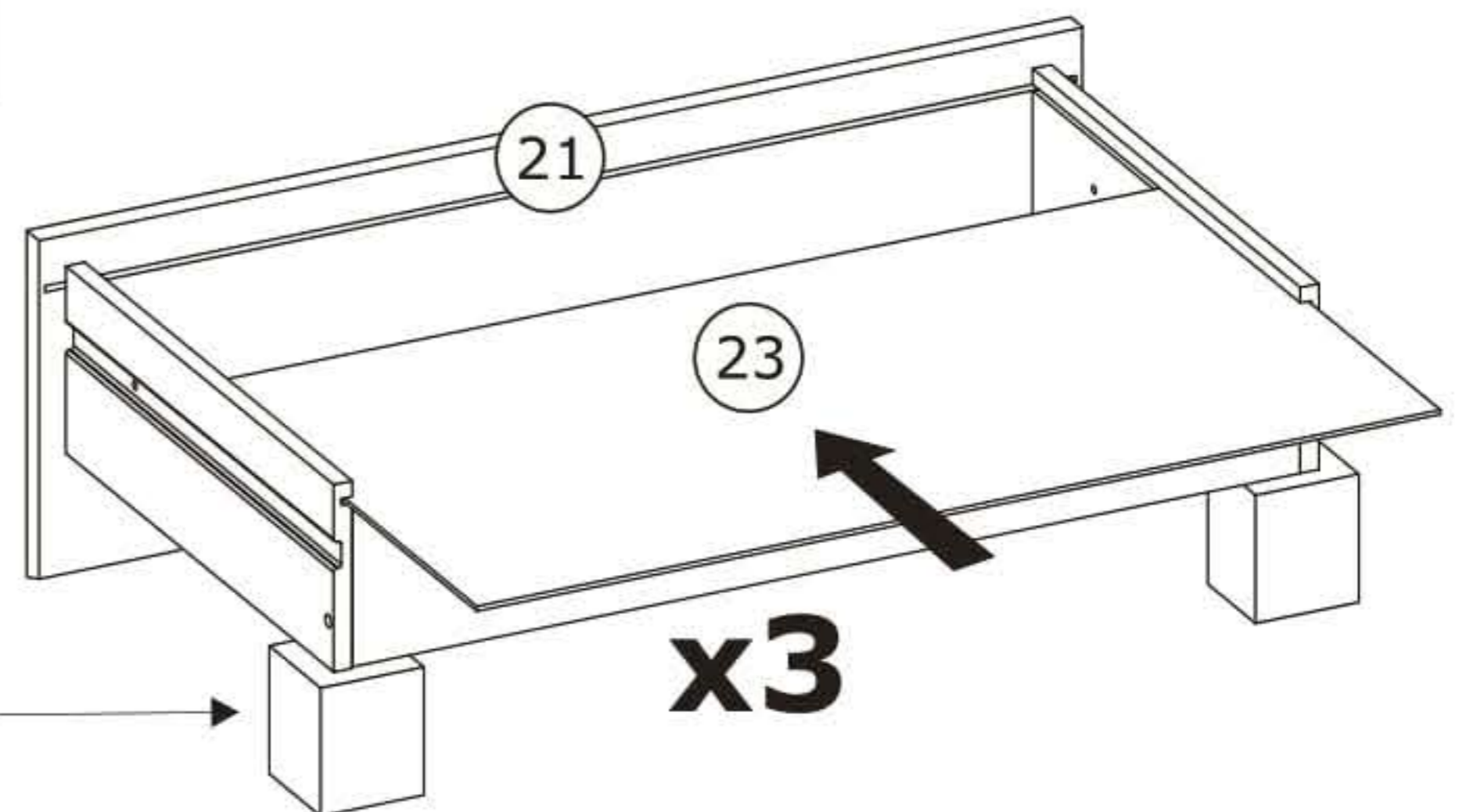
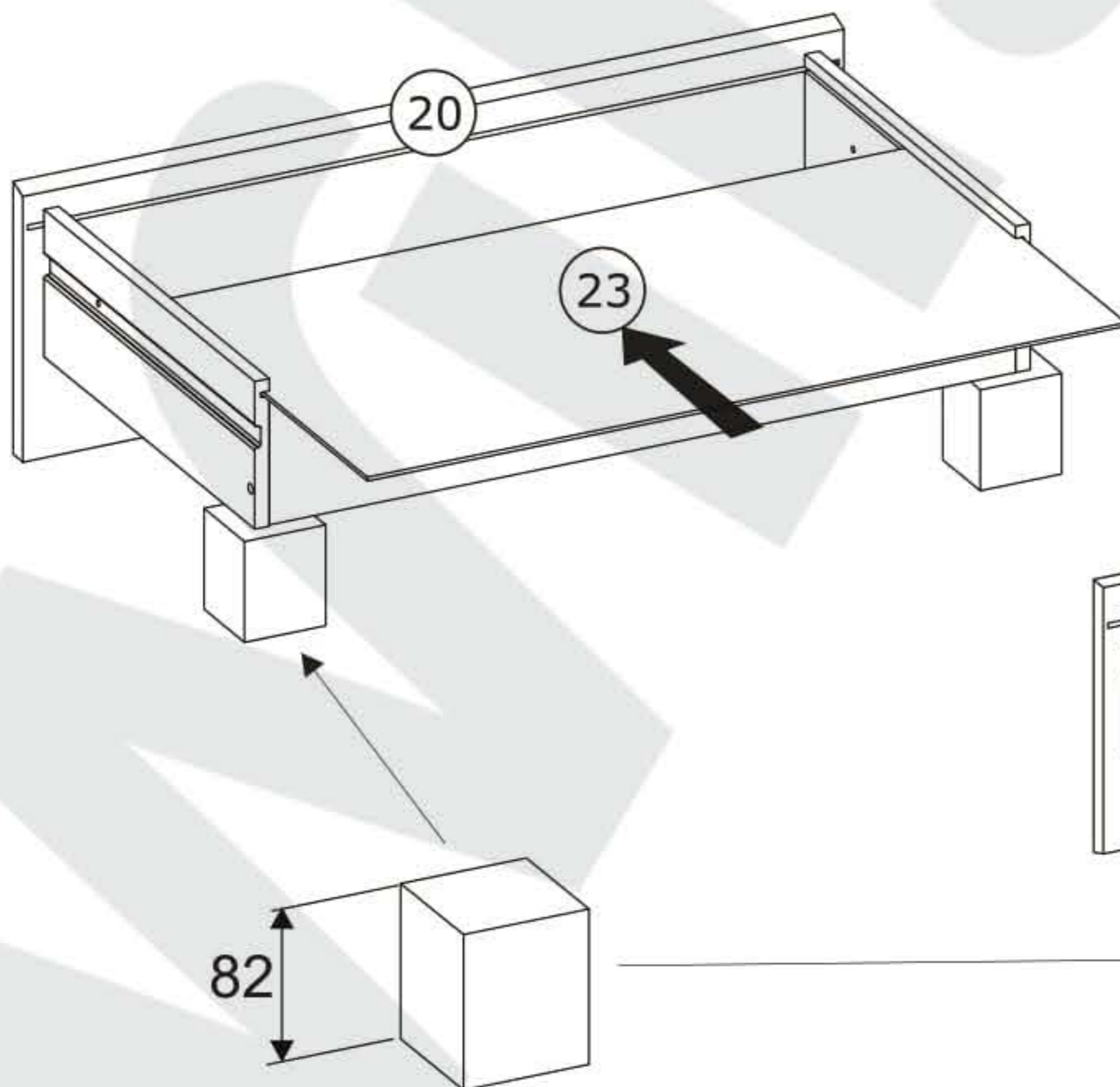
12

C1 x 4
Ø15x10 mm

F1 x 8
20 mm



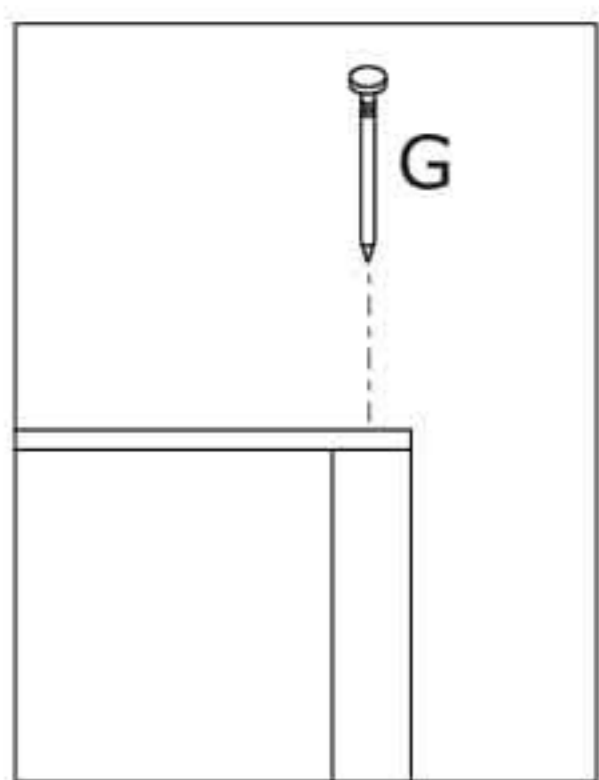
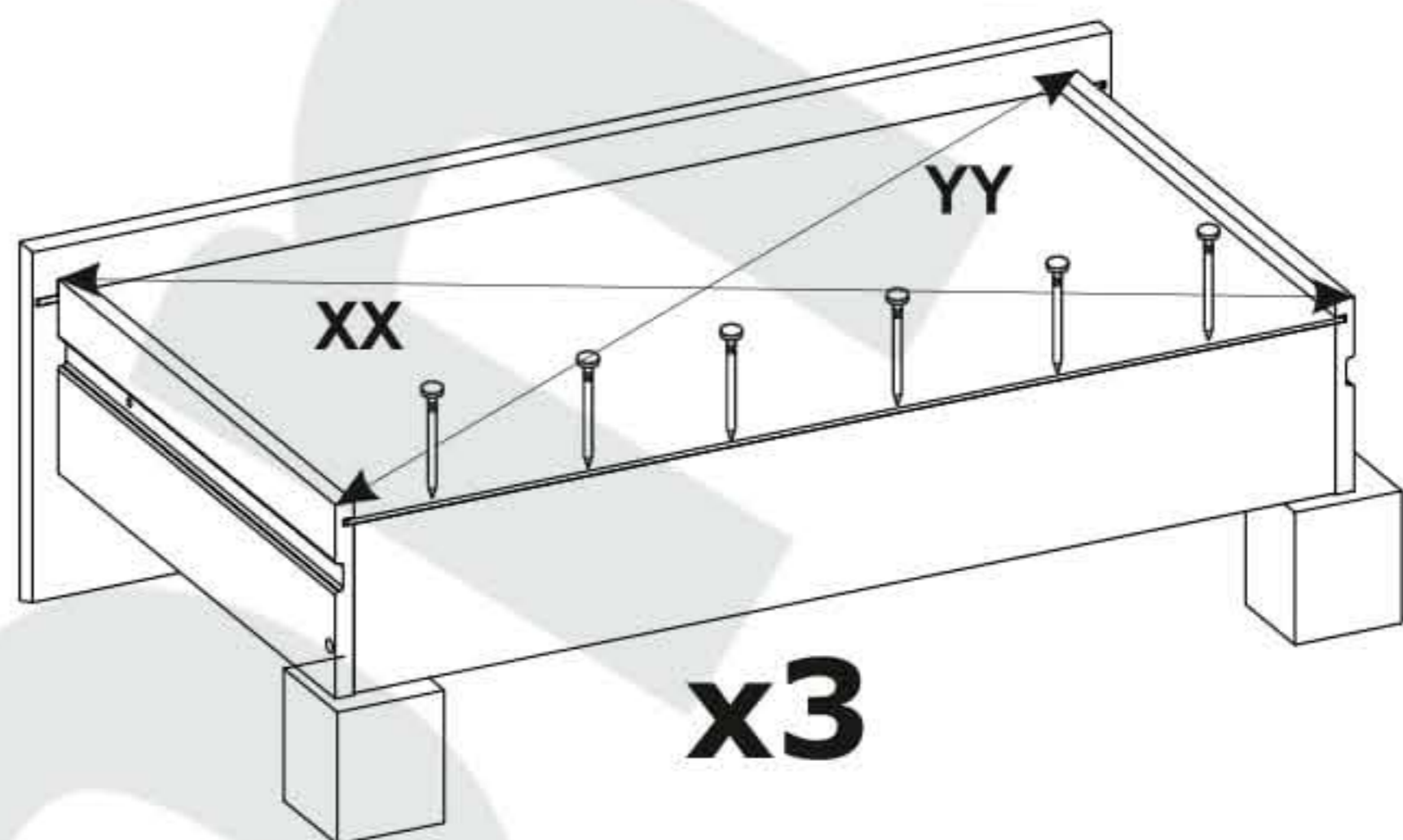
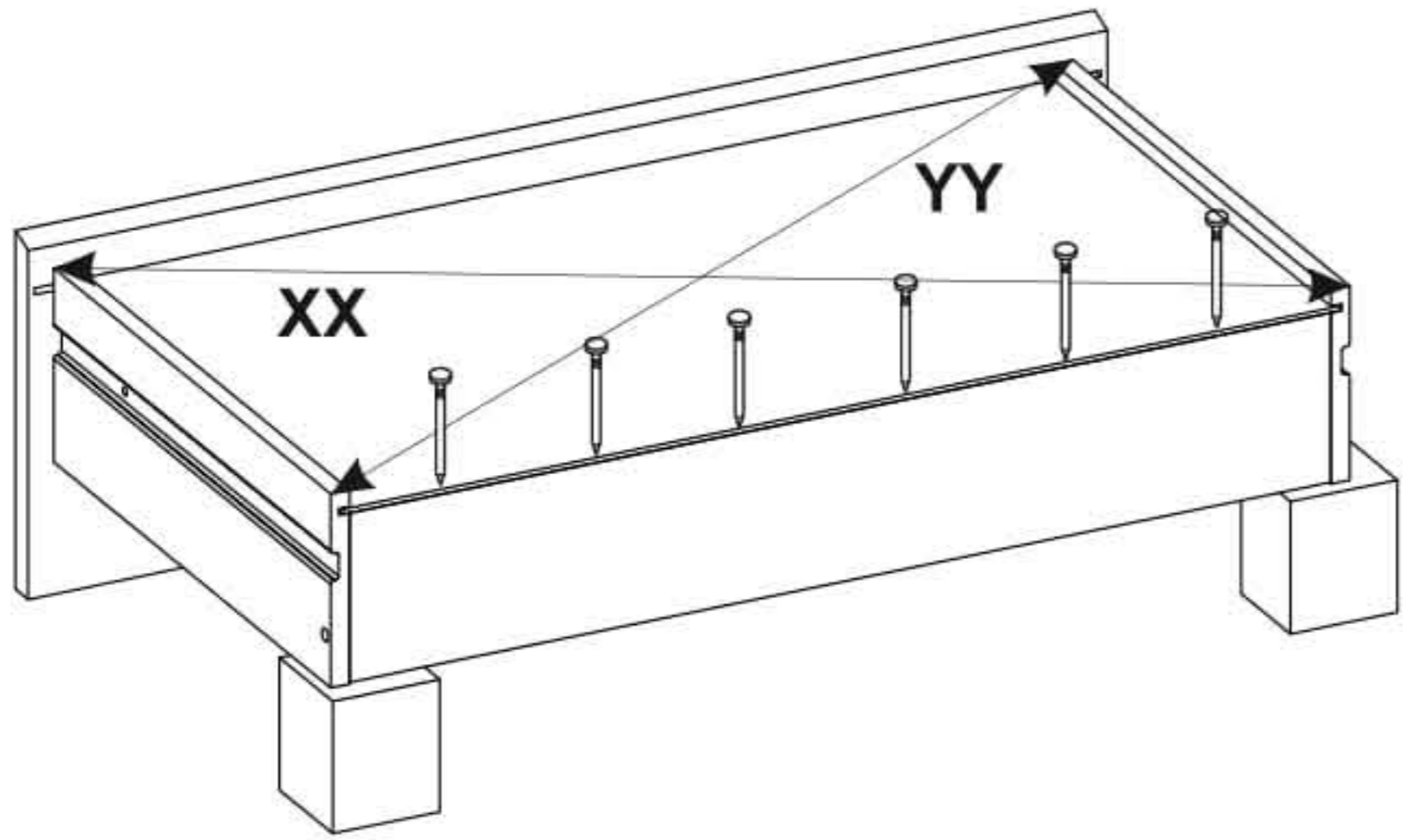
13



14

G x 24  1.2x25 mm	 
--	--

 $XX=YY \equiv 90^\circ$



15

Q x 8  4x9 mm	
--	---

