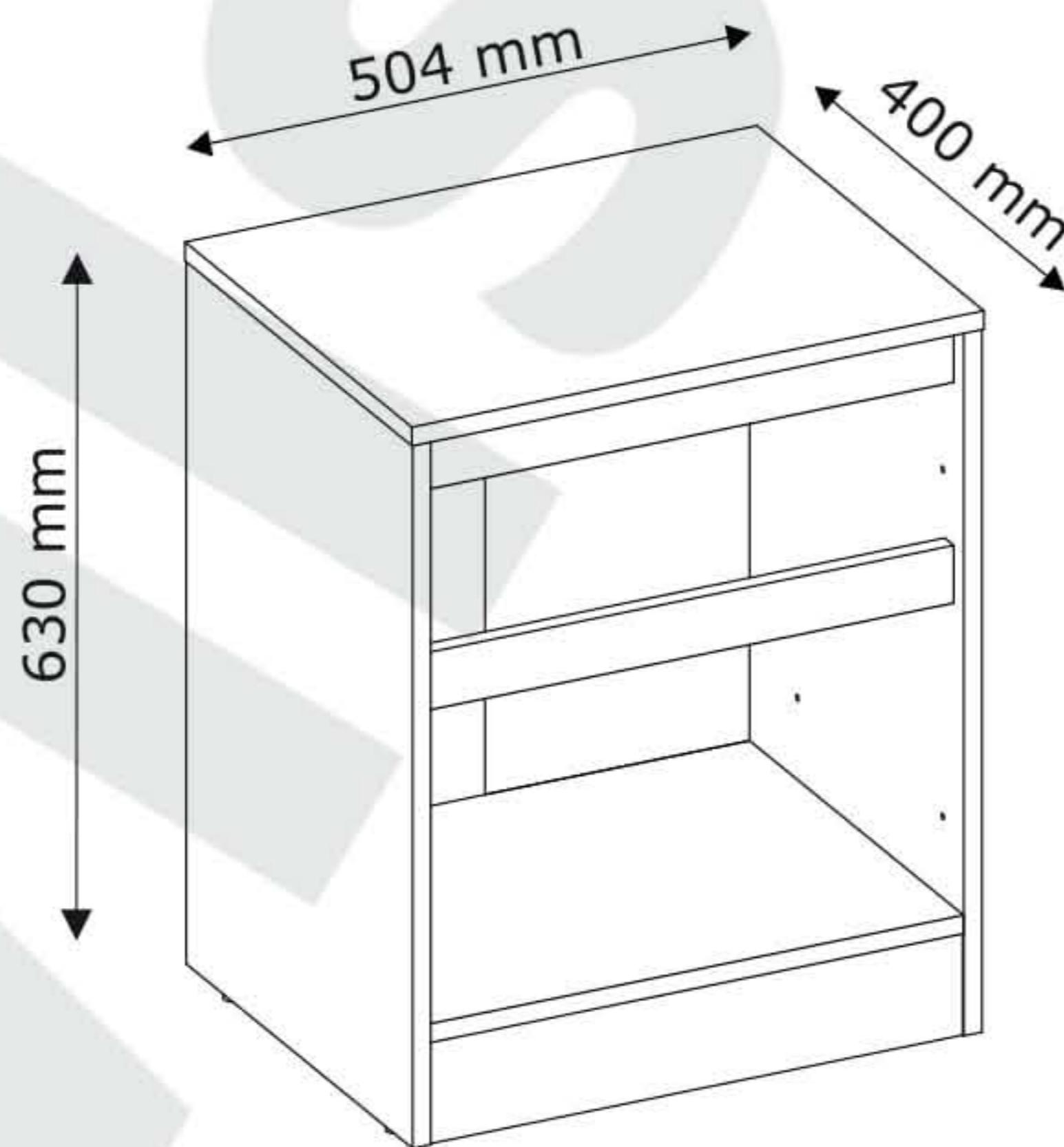
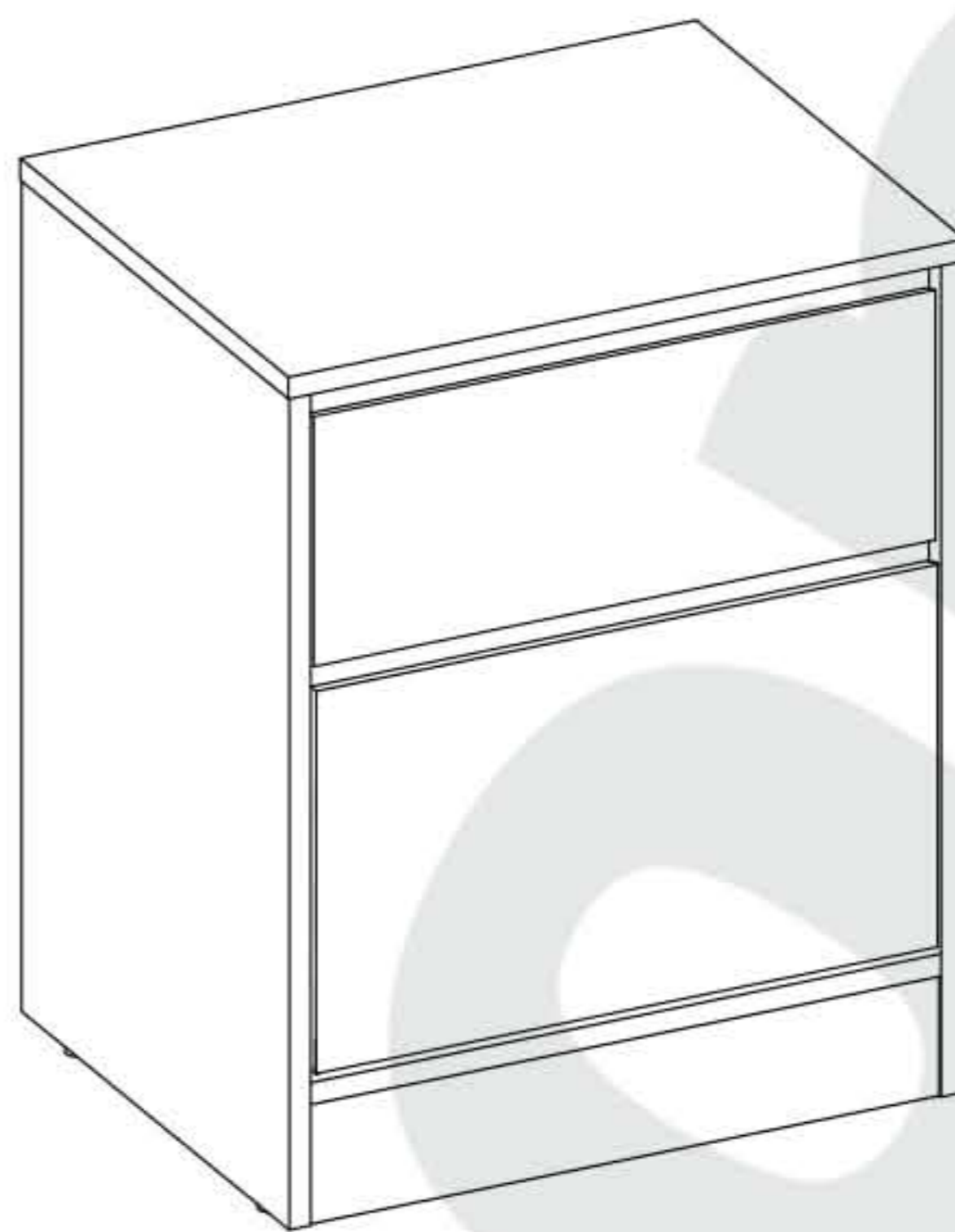
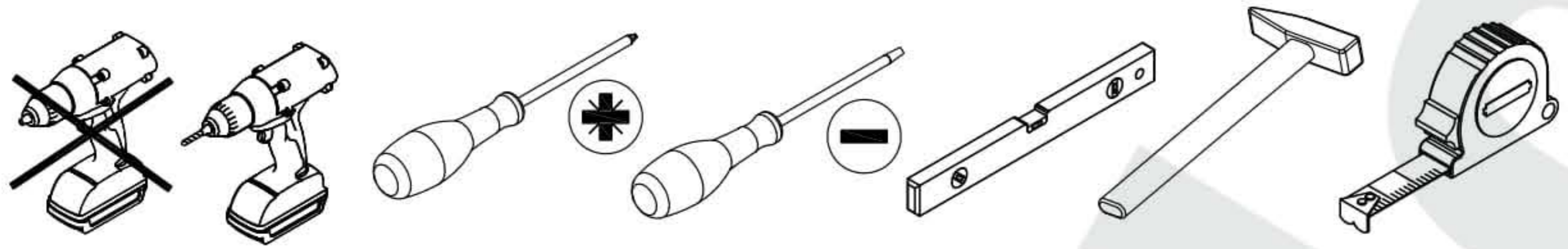
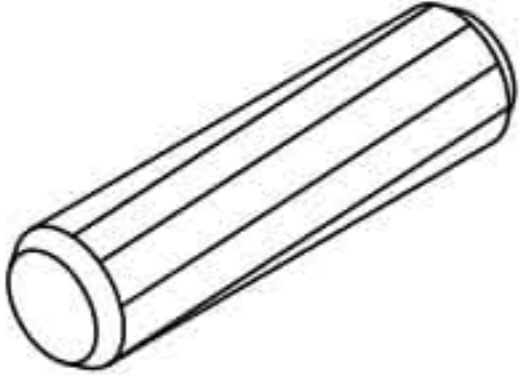
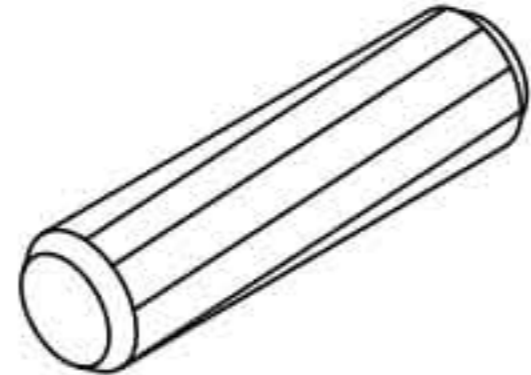
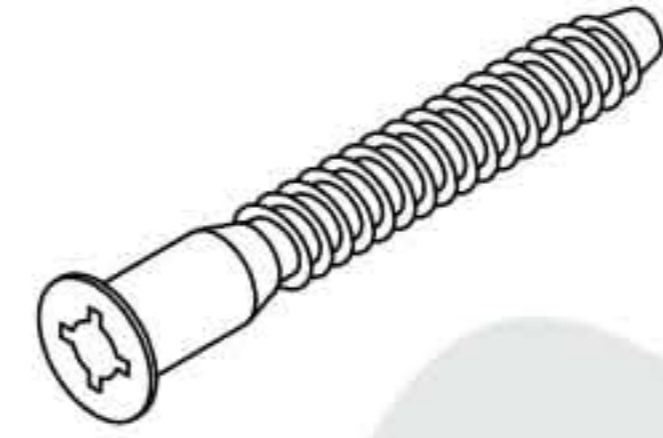



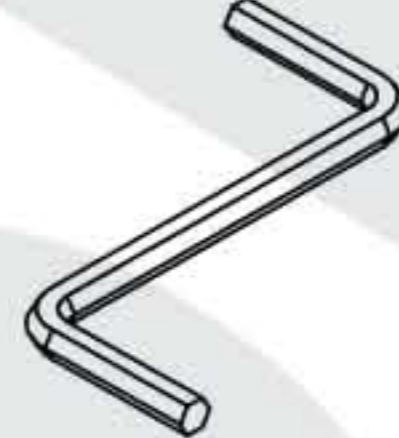

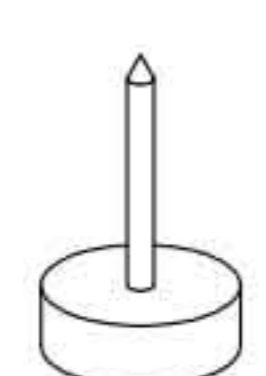
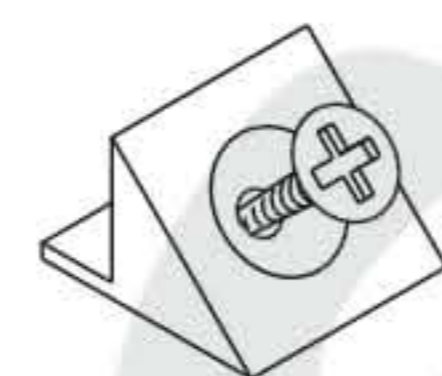
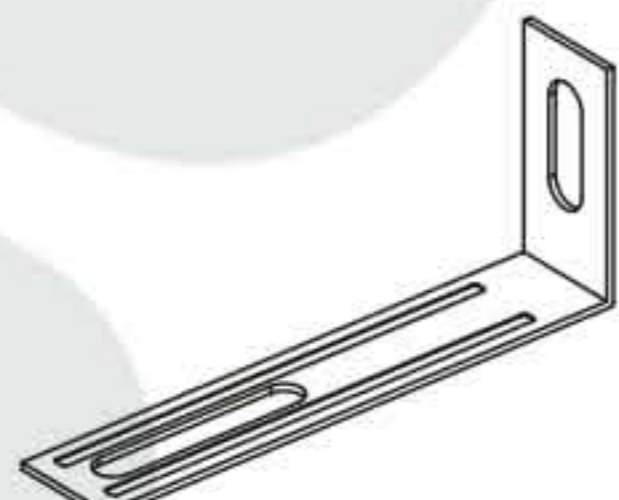
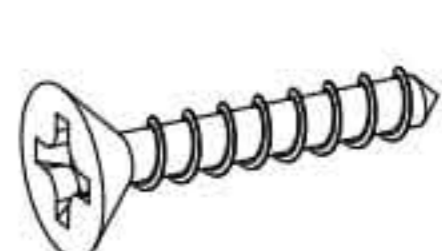


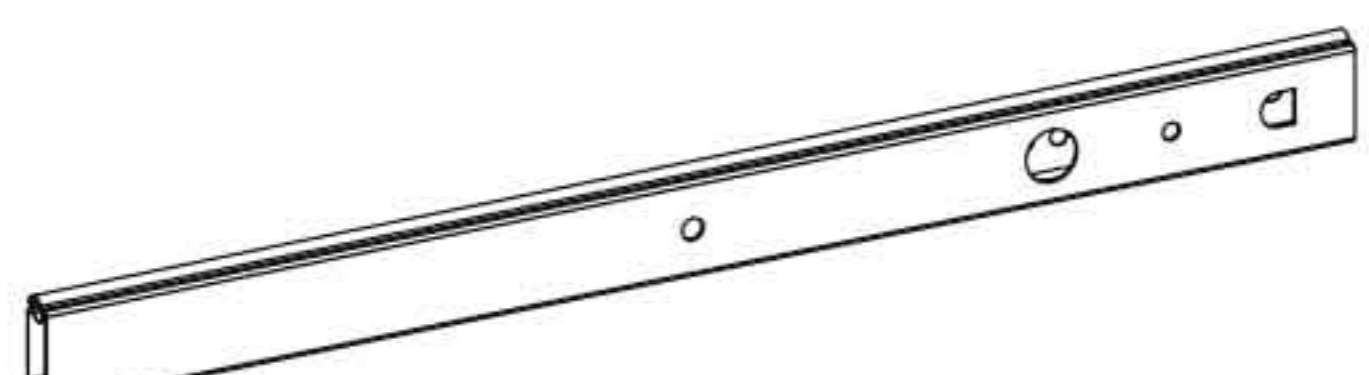




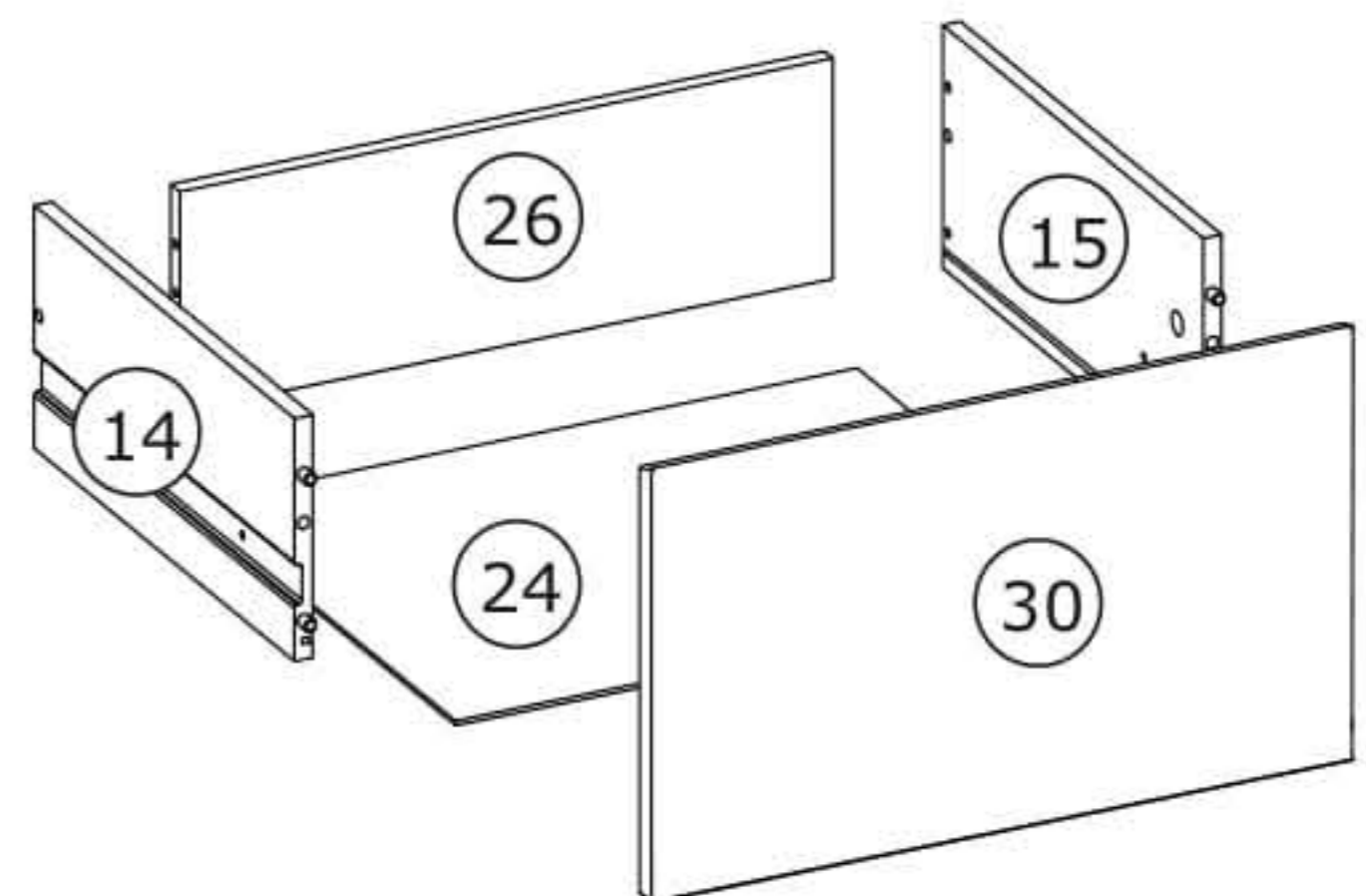
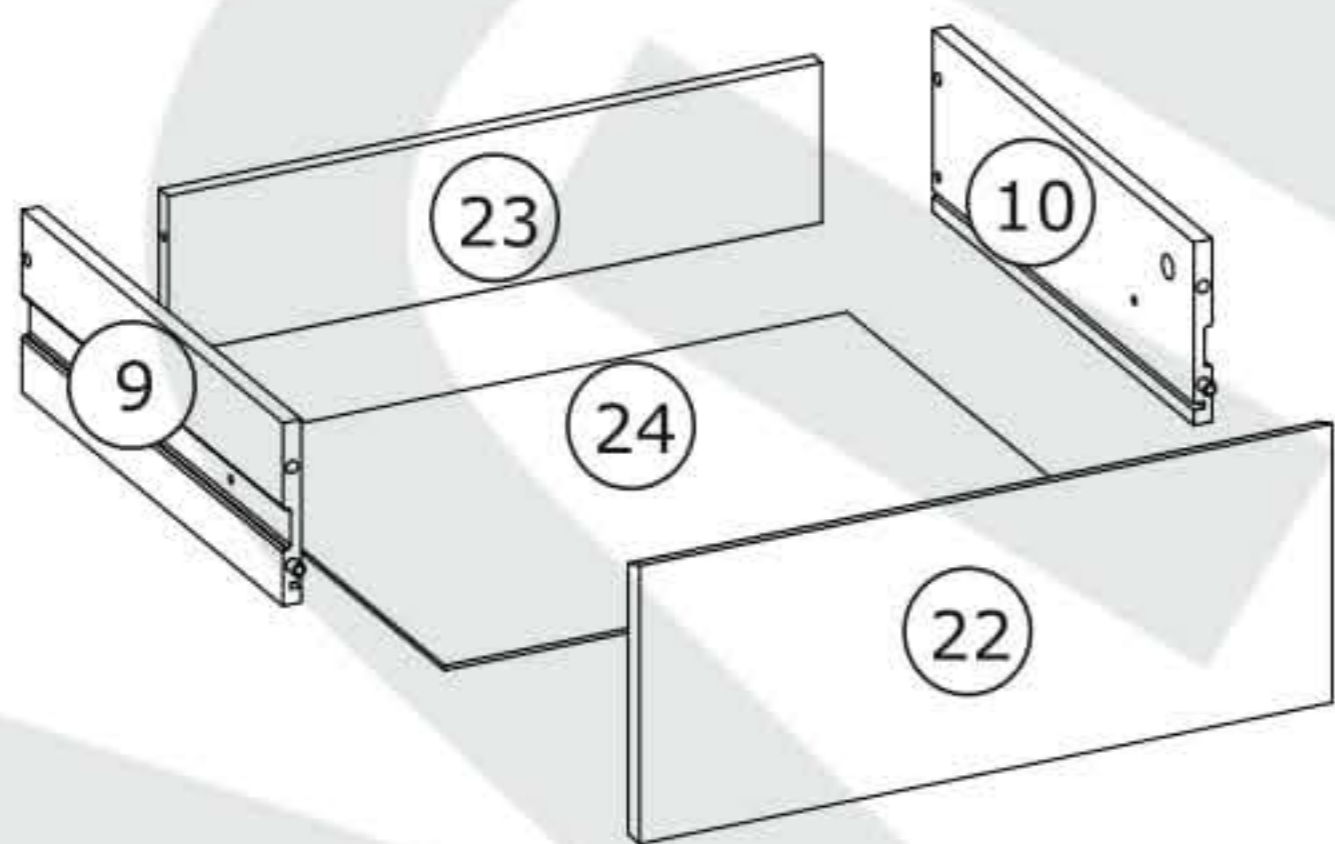
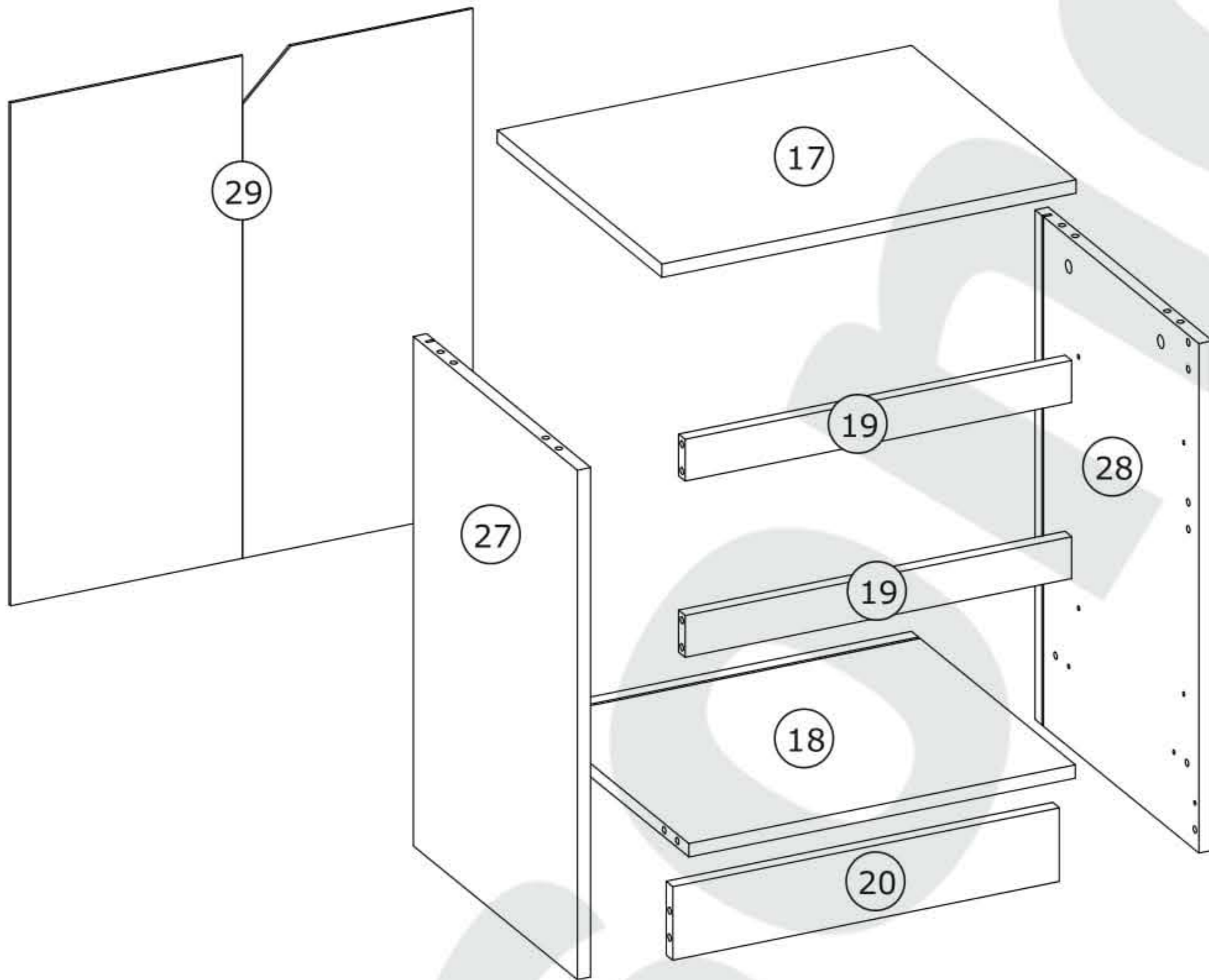
Basit

Bedside table

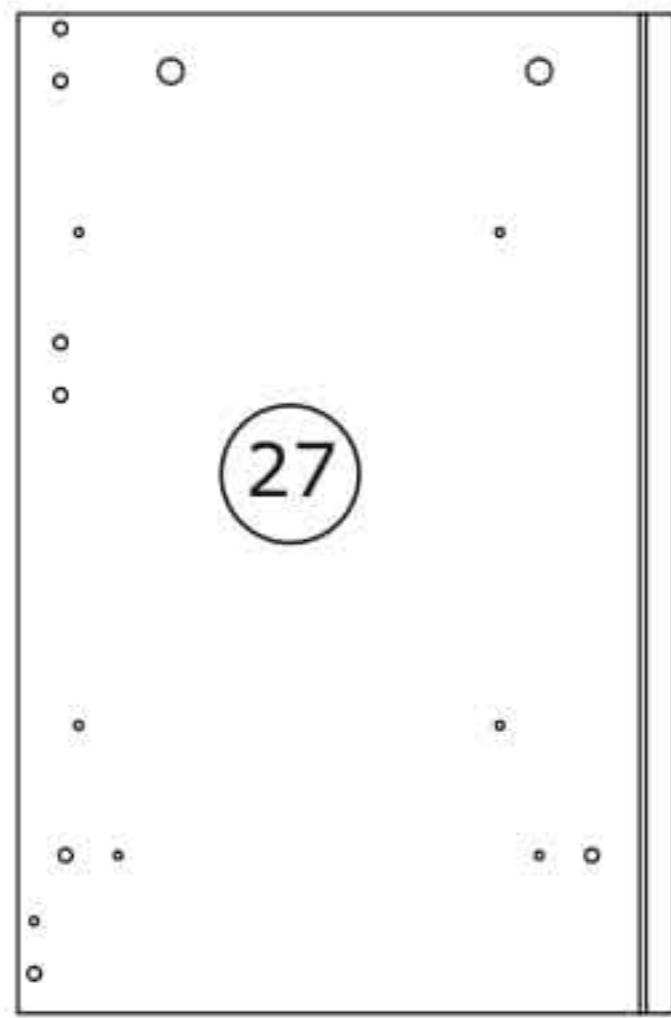




<p>A x 18</p>  <p>Ø8x35 mm</p>	<p>A1 x 6</p>  <p>Ø6x30 mm</p>	<p>B x 4</p>  <p>Ø7x50 mm</p>	<p>C x 10</p>  <p>Ø15x12 mm</p>
<p>C1 x 4</p>  <p>Ø15x10 mm</p>	<p>D x 14</p>  <p>Ø5x44 mm</p>	<p>E x 1</p>  <p>4 mm</p>	<p>F x 4</p>  <p>20 mm</p>
<p>G1 x 4</p> 	<p>H1 x 4</p>  <p>10x10 mm</p>	<p>I x 1</p> 	<p>J x 1</p>  <p>3,5x16 mm</p>
<p>L1 x 8</p>  <p>3x20 mm</p>	<p>M x 8</p>  <p>Ø6,3x13 mm</p>	<p>N1 x 4</p>  <p>310 mm</p>	
<p>Q x 4</p>  <p>4x9 mm</p>	<p>AA x 4</p> 		

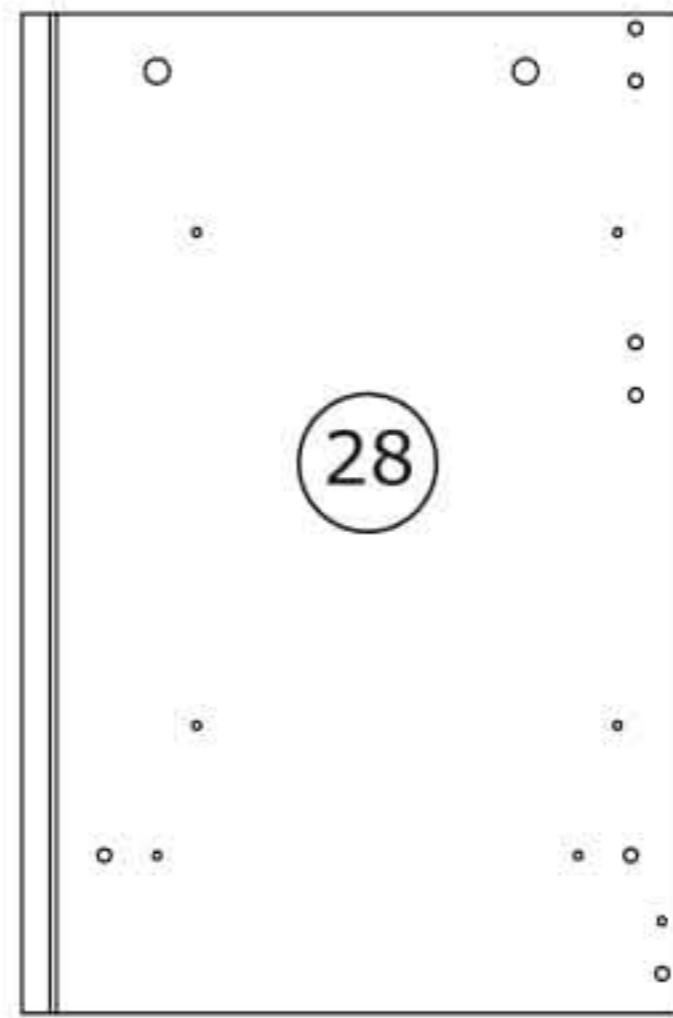


BOX 1/1:



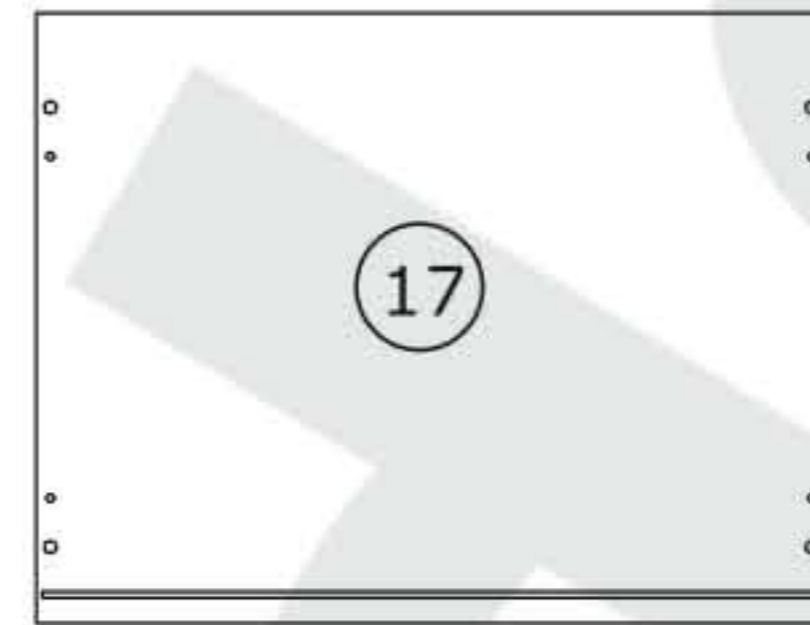
27

608x399x16 mm



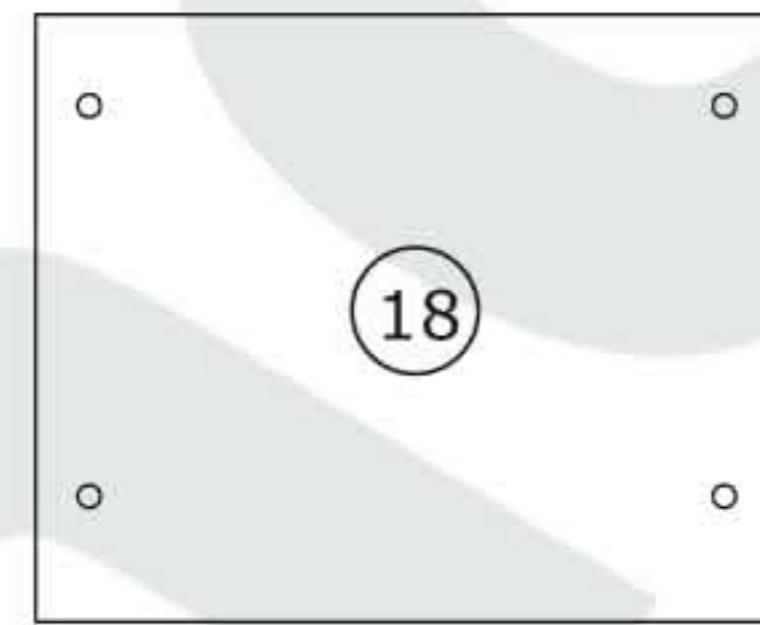
28

608x399x16 mm



17

504x400x16 mm



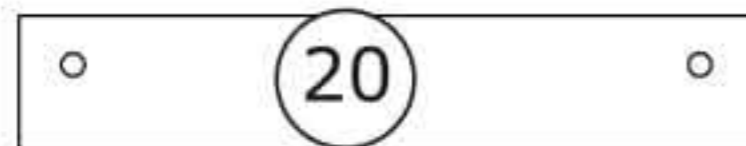
18

470x398x16 mm



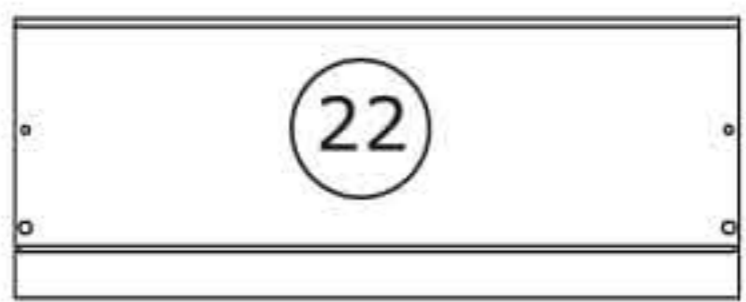
19

470x50x16 mm **x2**



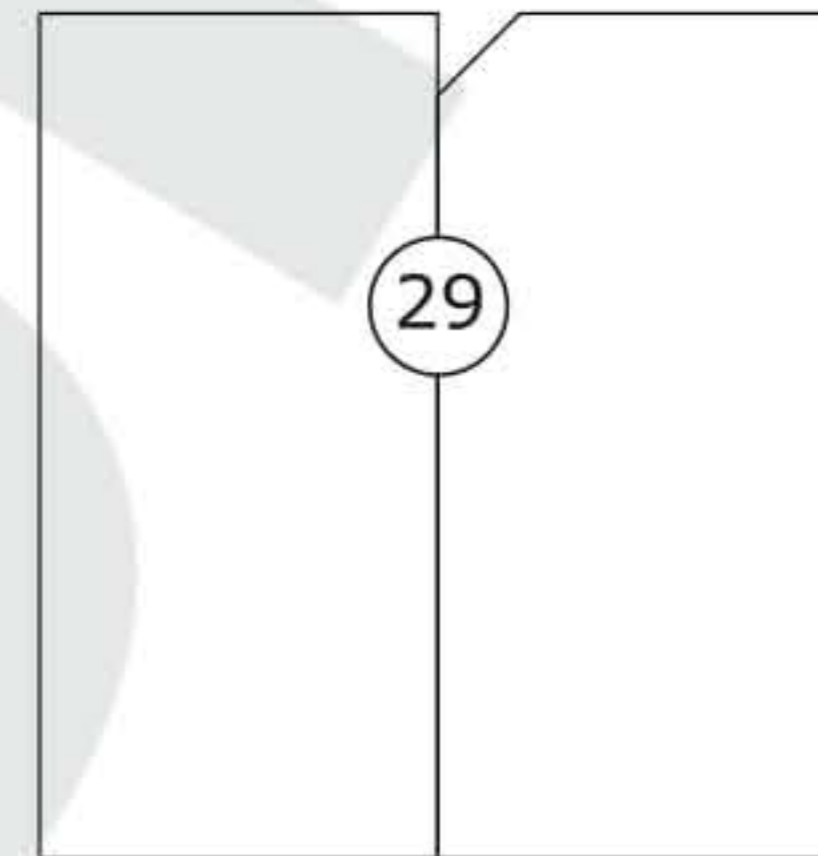
20

470x88x16 mm



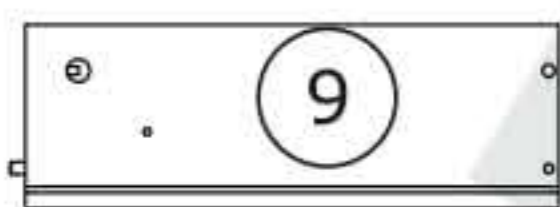
22

464x183x16 mm



29

514x480x3 mm



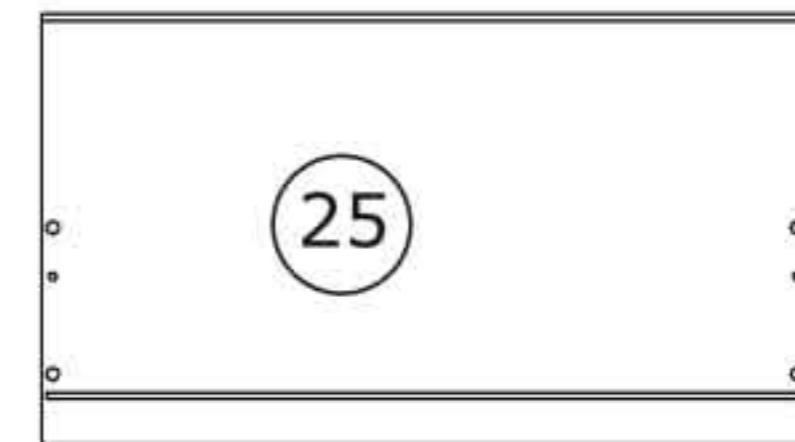
9

350x120x12 mm



10

350x120x12 mm



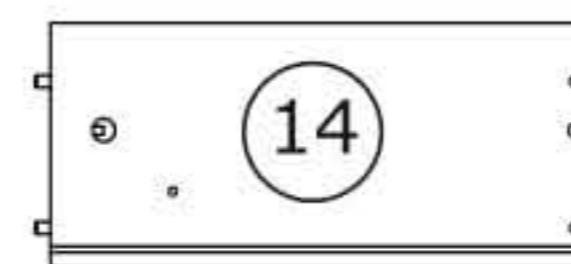
25

464x282x16 mm



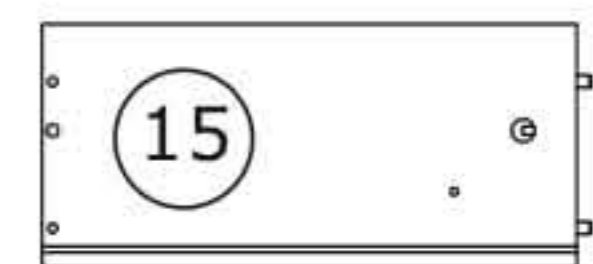
23

438x105x12 mm



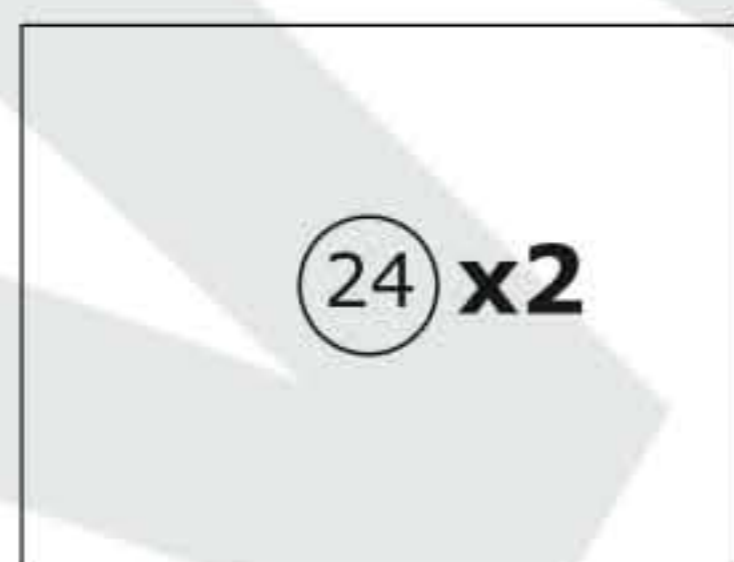
14

350x160x12 mm



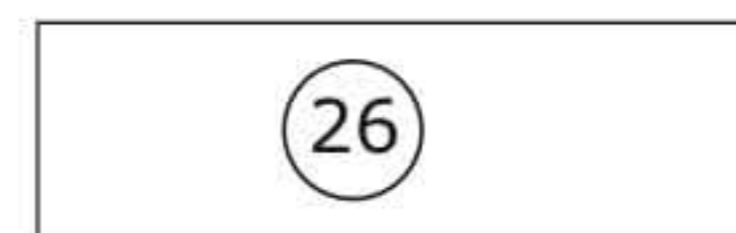
15

350x160x12 mm



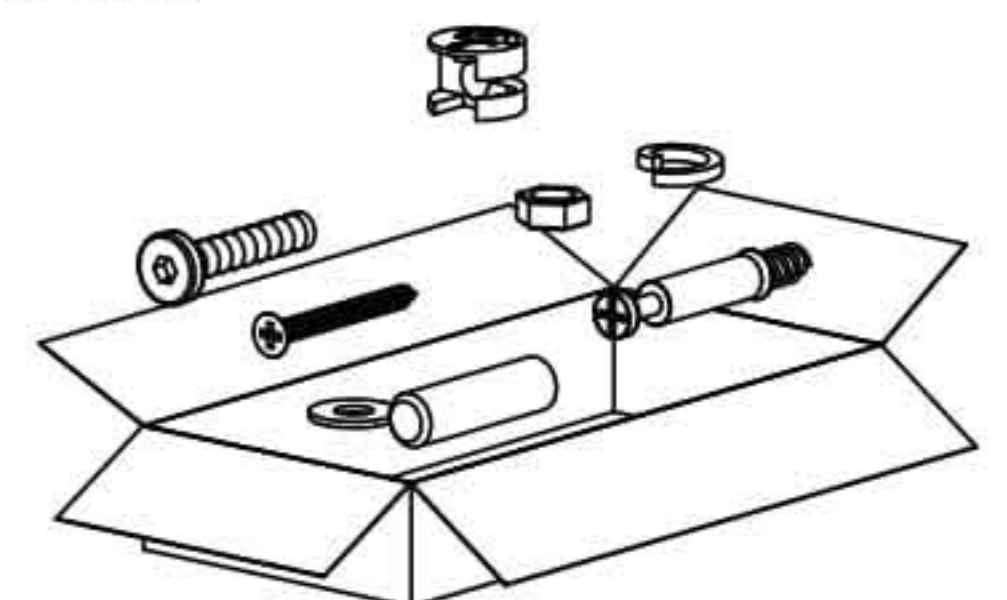
24 **x2**

448x357x3 mm




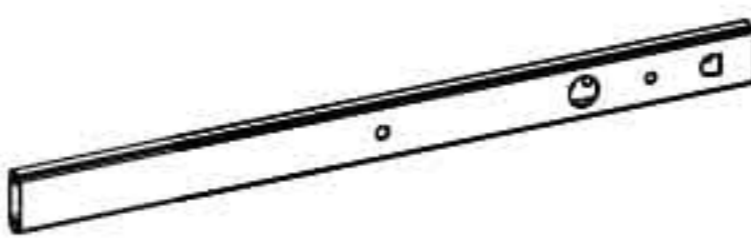




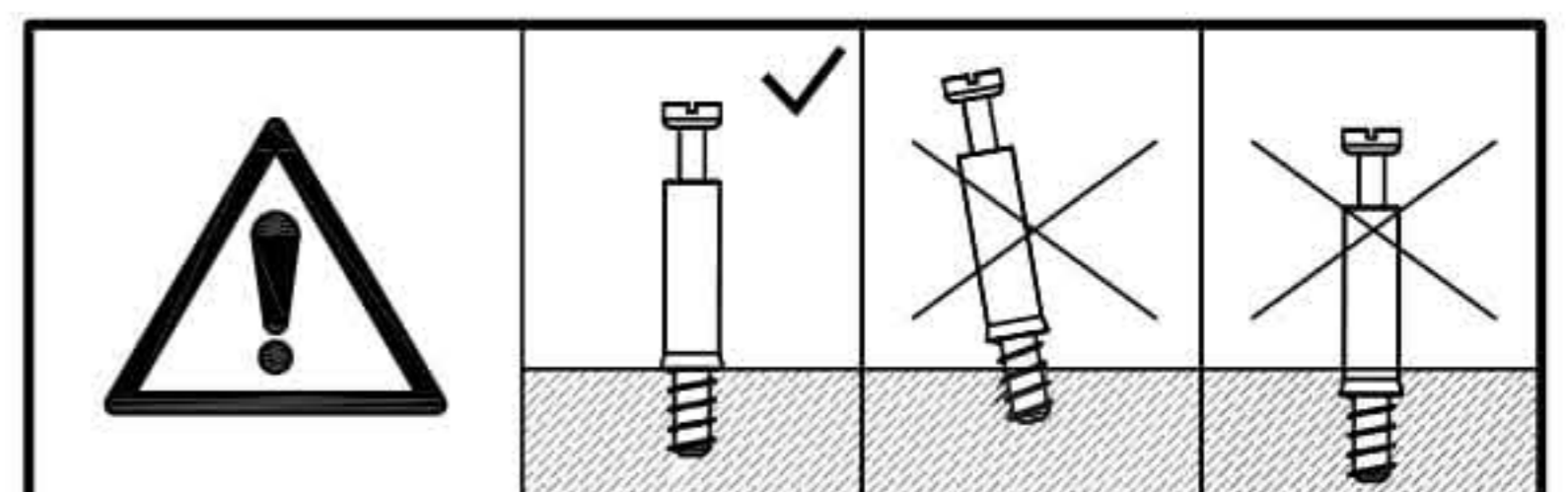
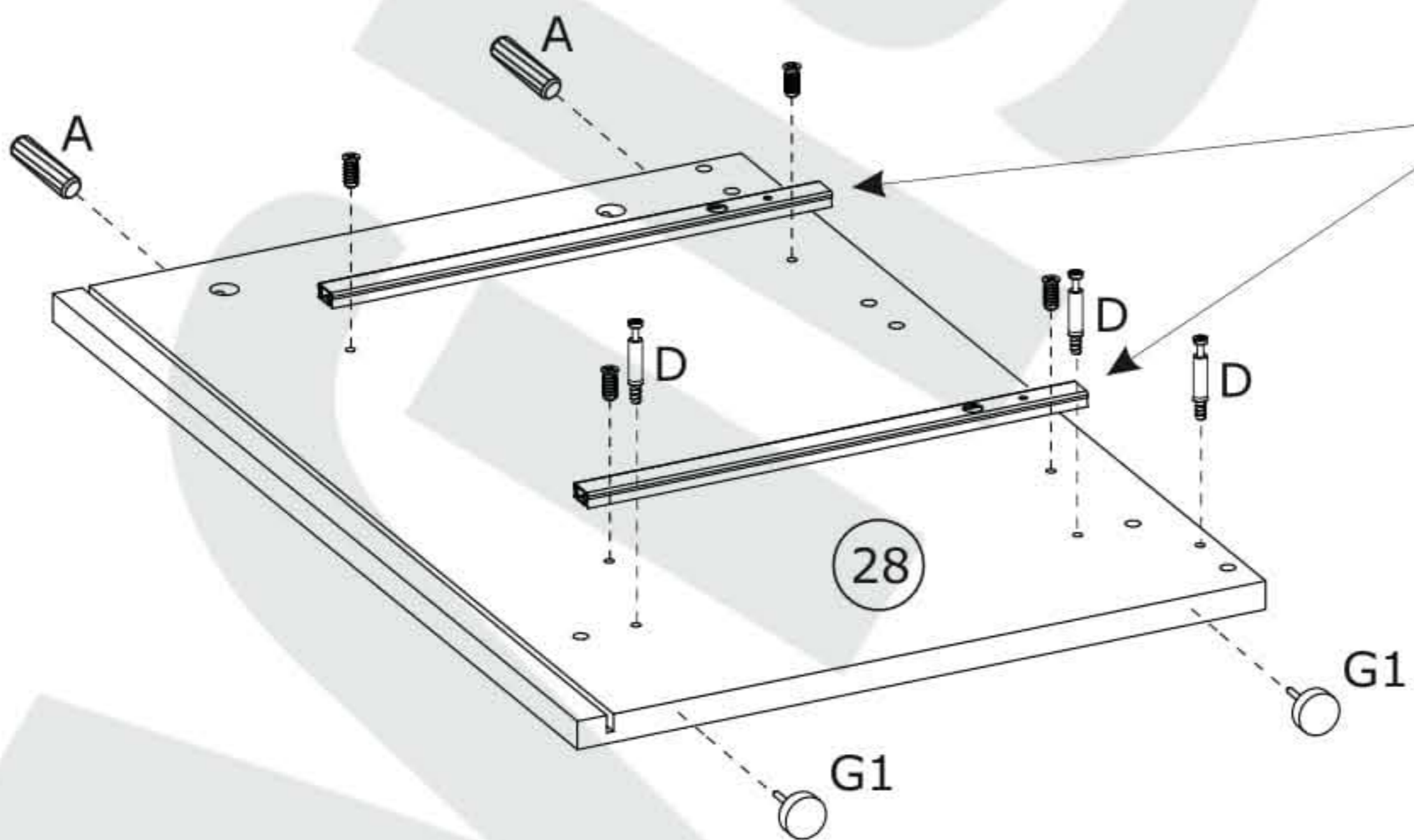
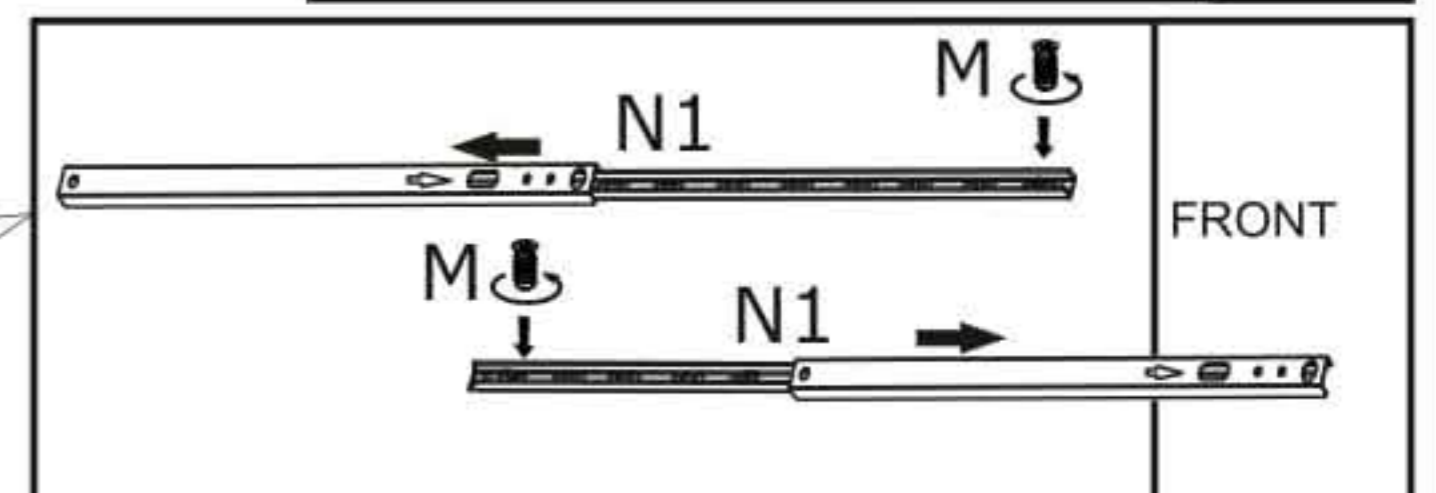
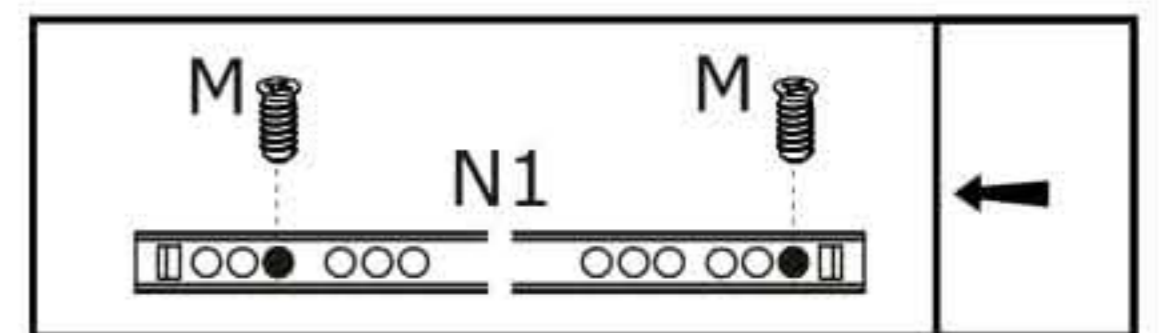
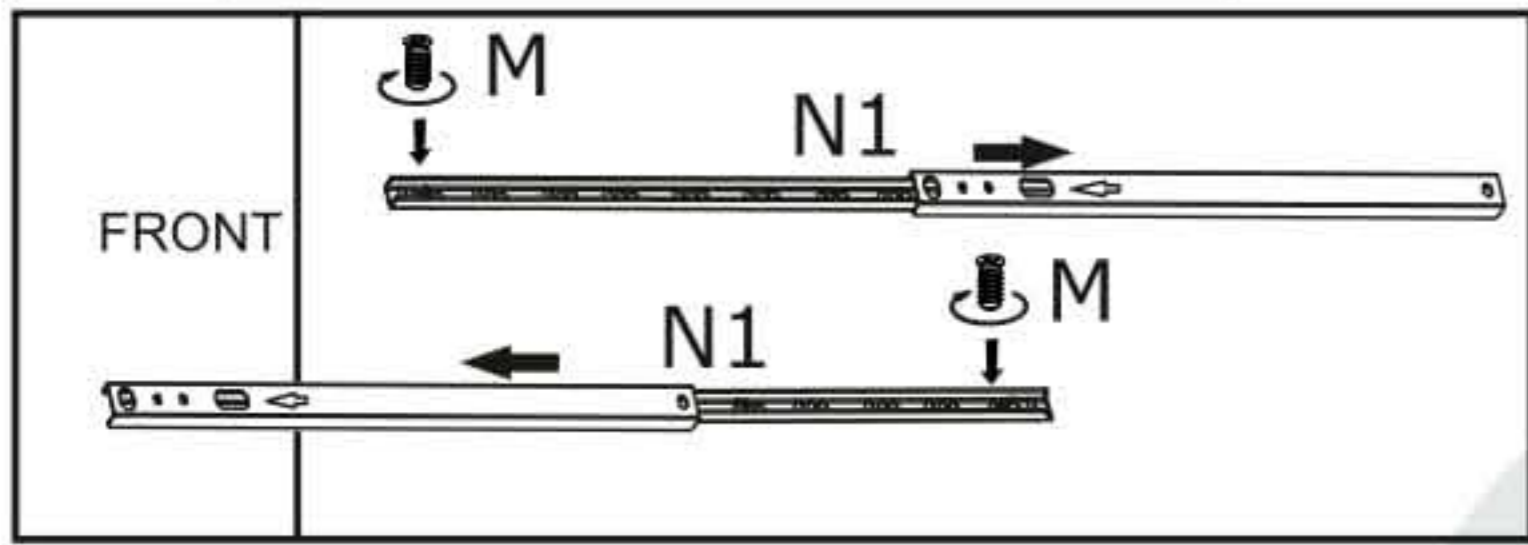
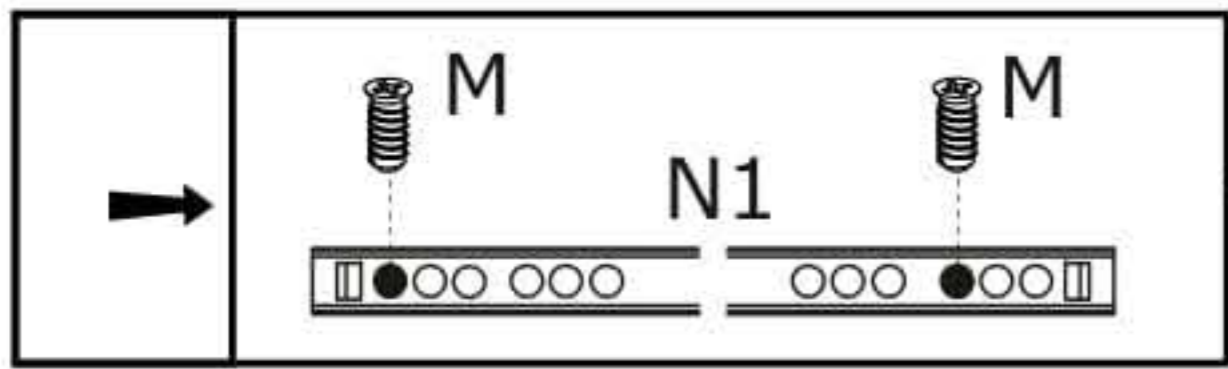
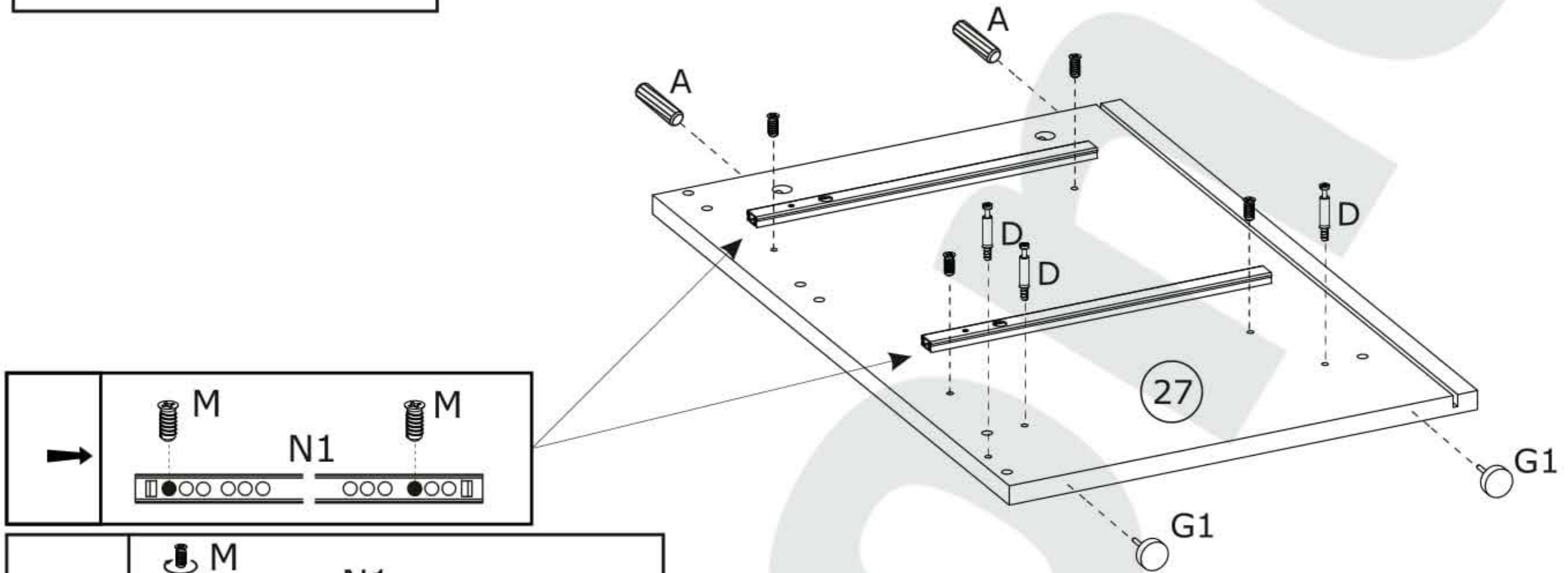
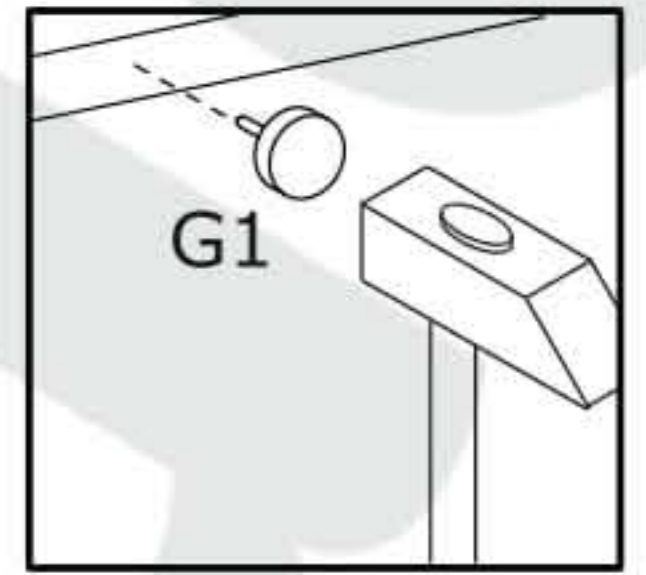
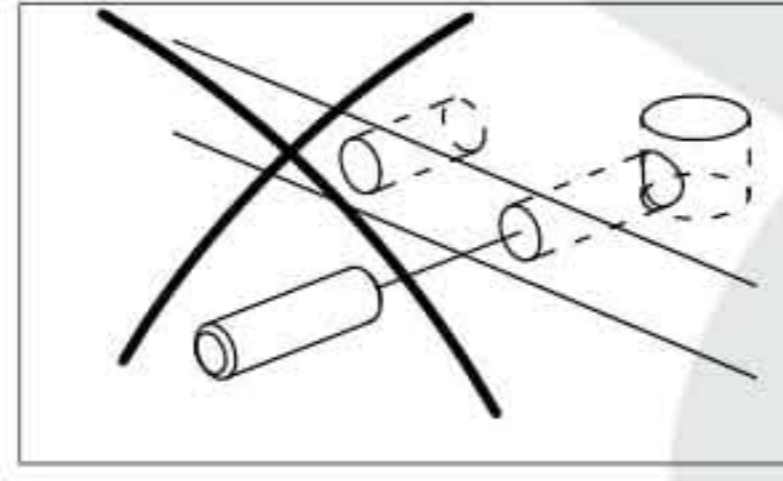
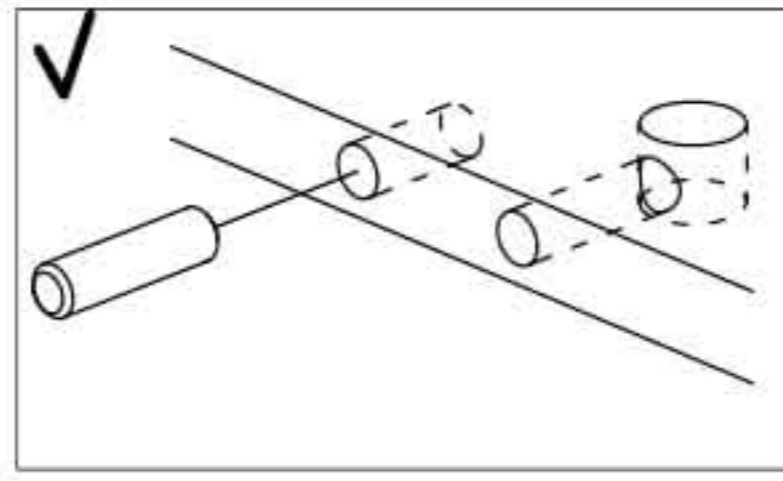
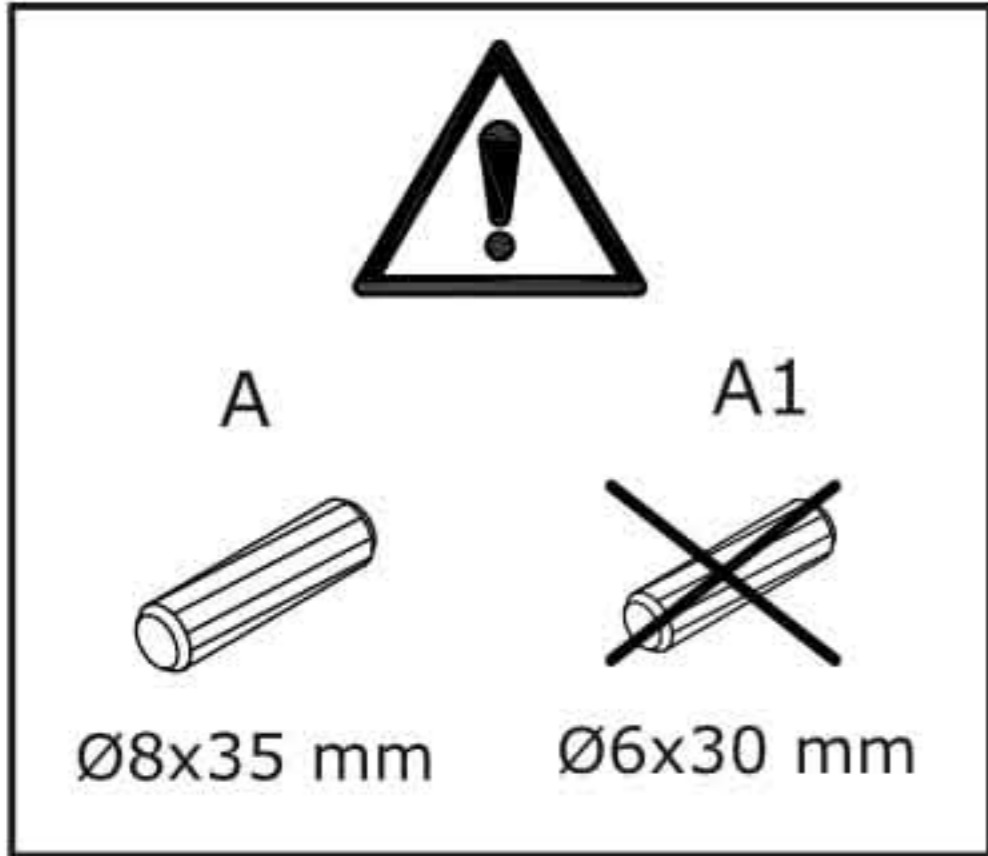
26

438x145x12 mm



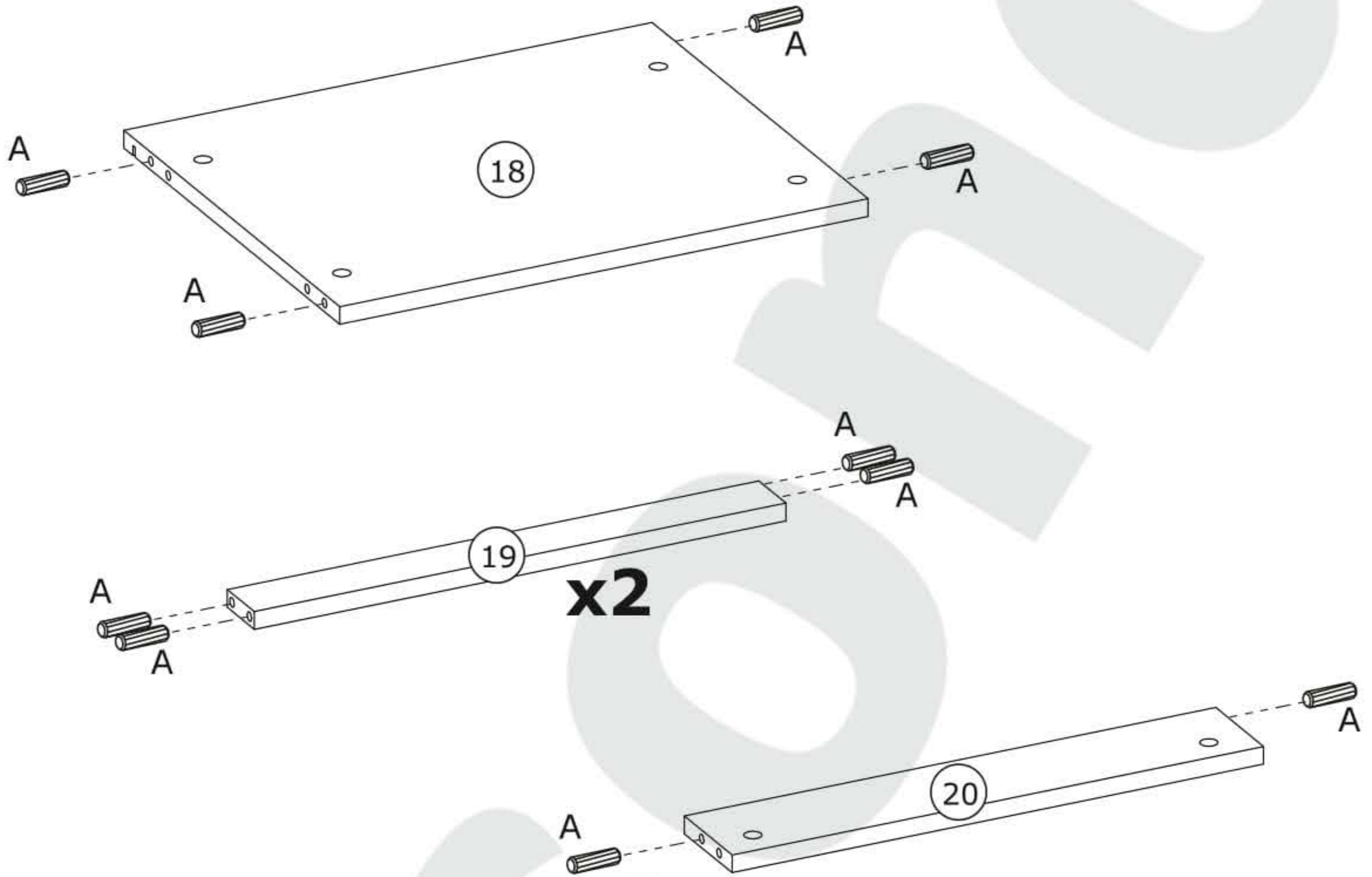
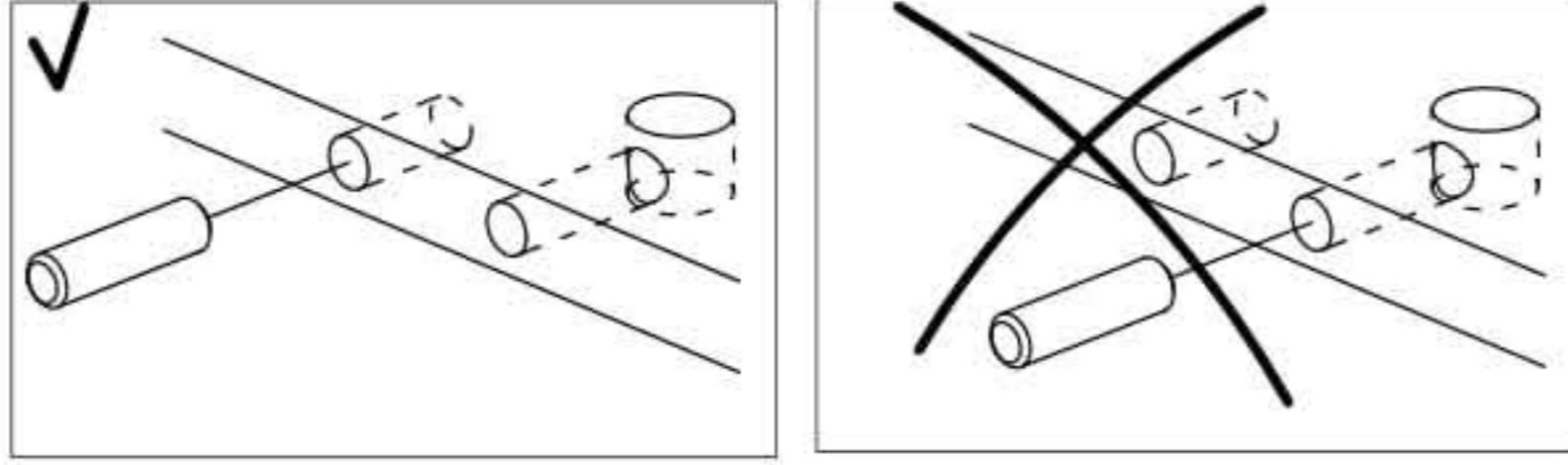
1

A x 4  Ø8x35 mm	G1 x 4 	M x 8  Ø6,3x13 mm	N1 x 4  310 mm	D x 6  Ø5x44 mm	
--	---	--	---	--	---



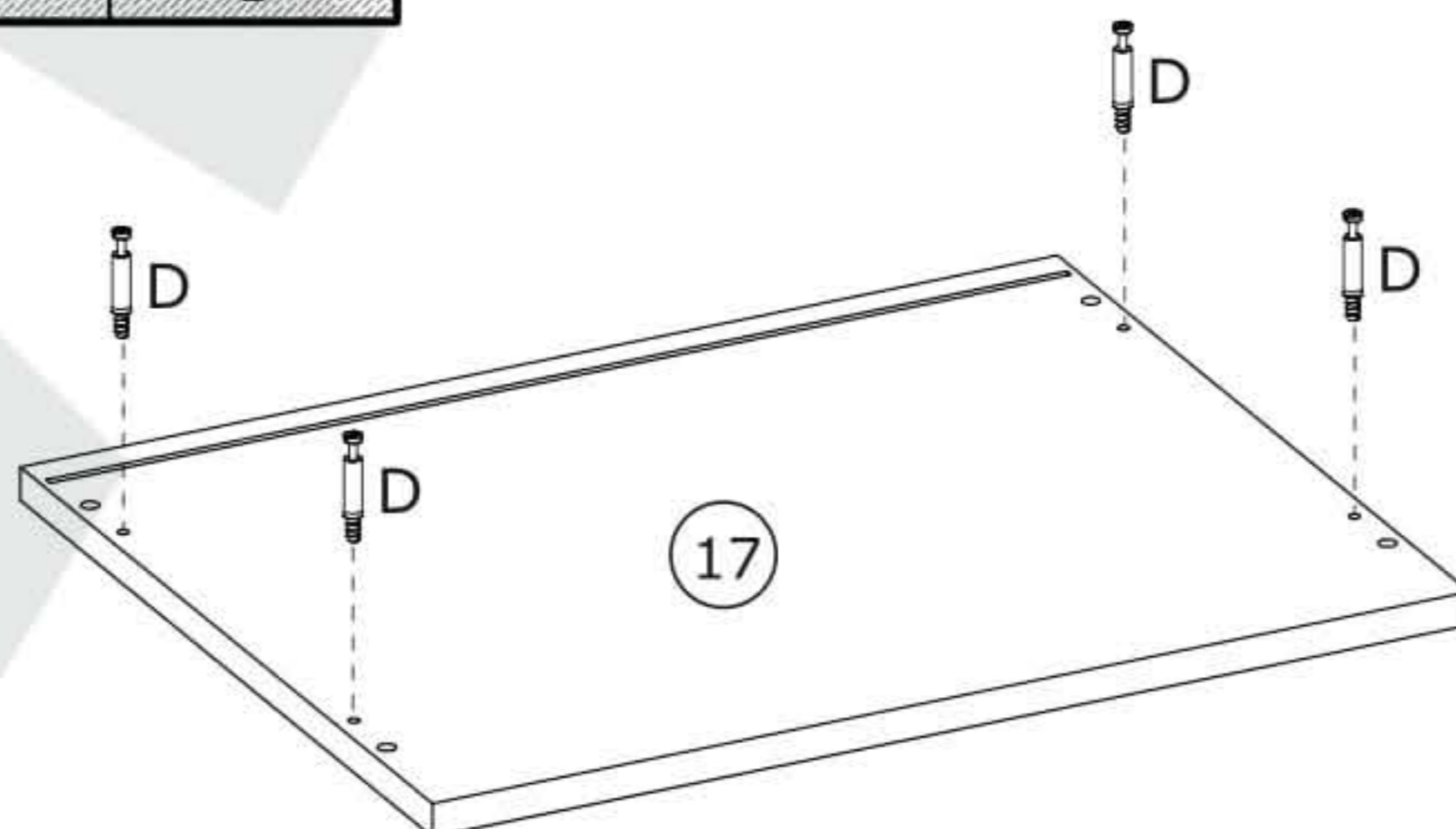
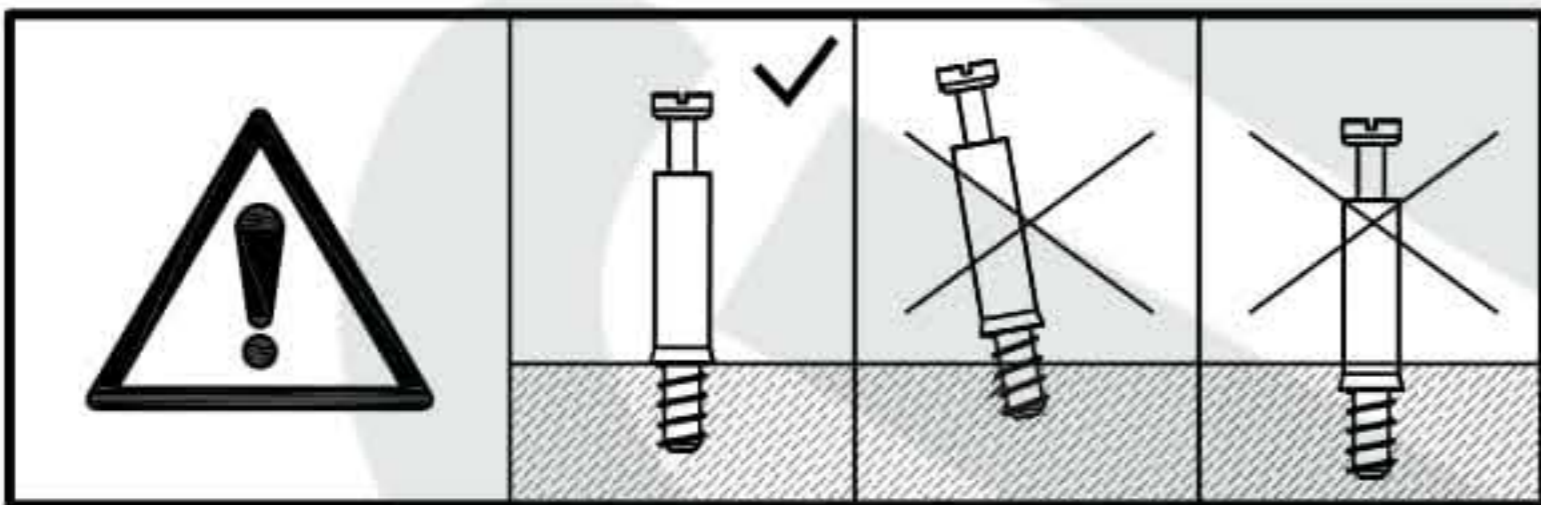
2

A x 14  Ø8x35 mm	
---	---



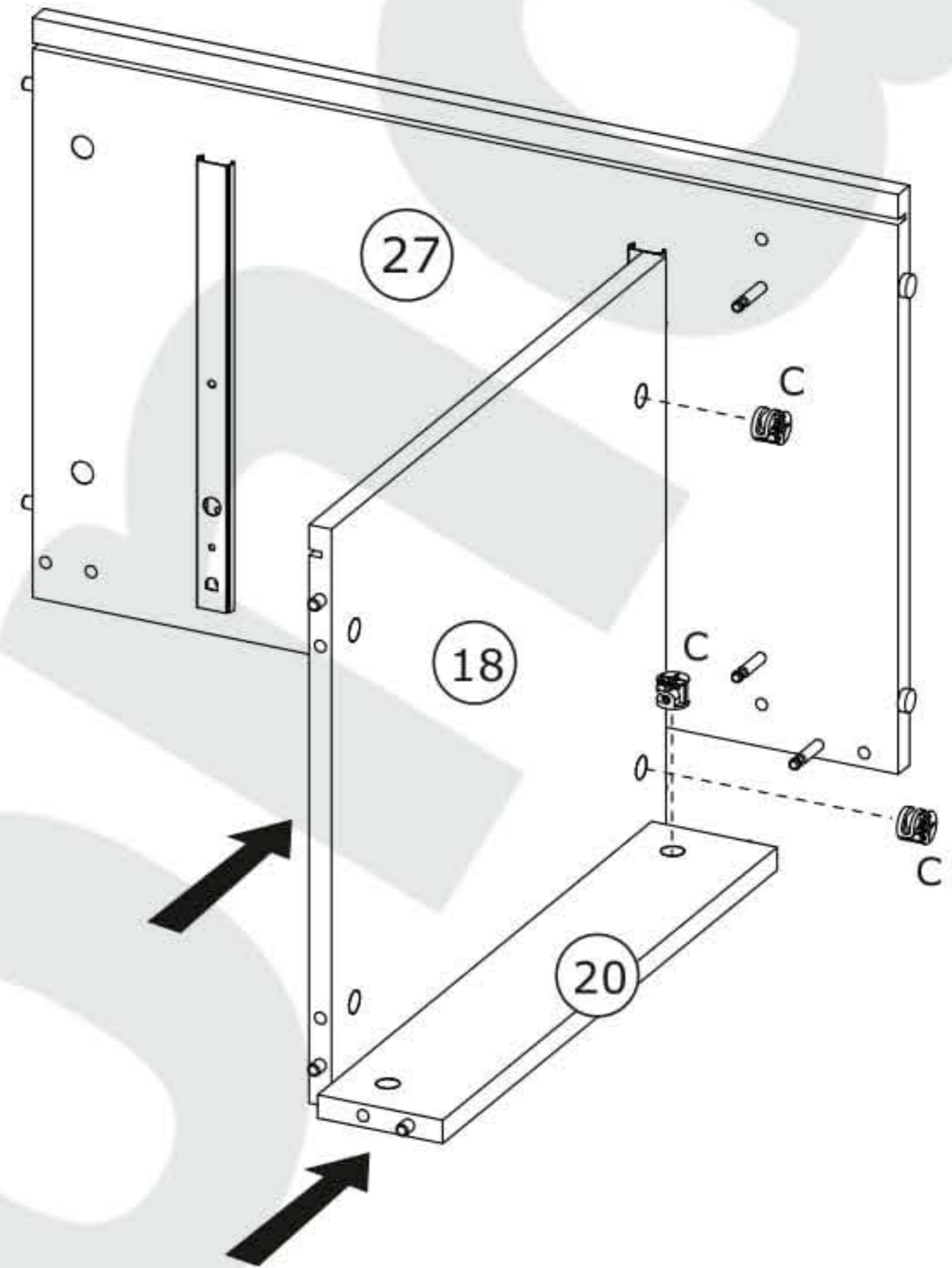
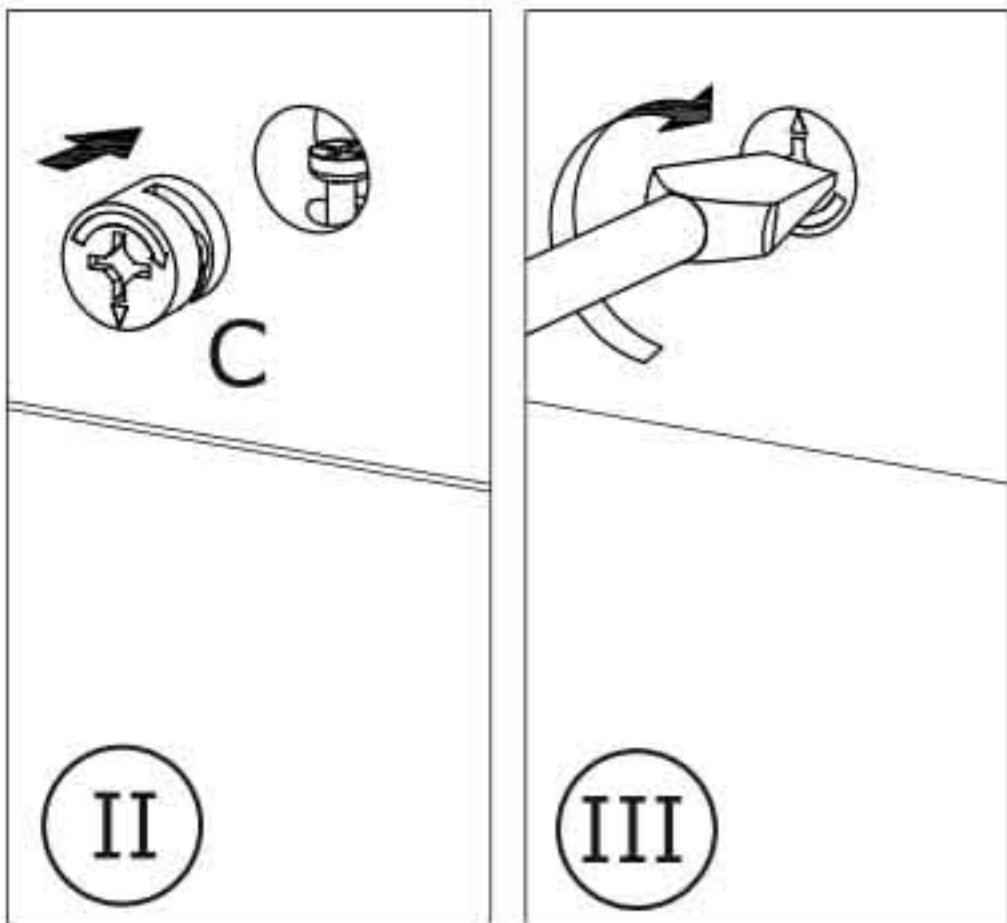
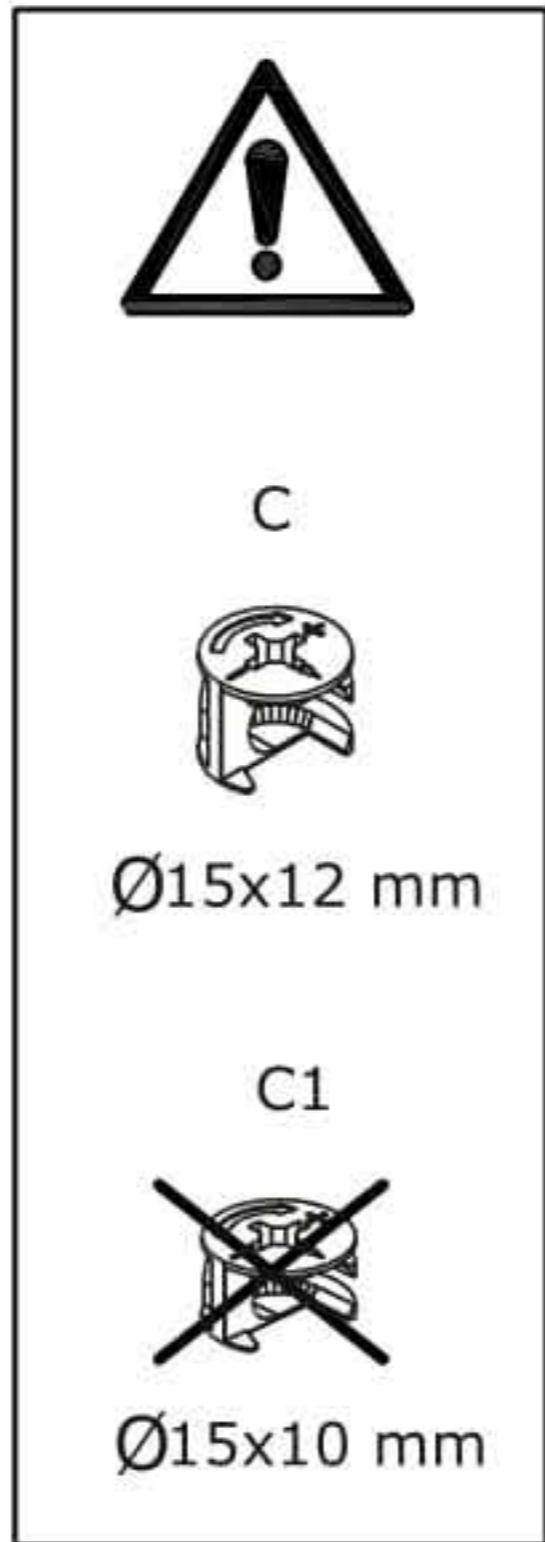
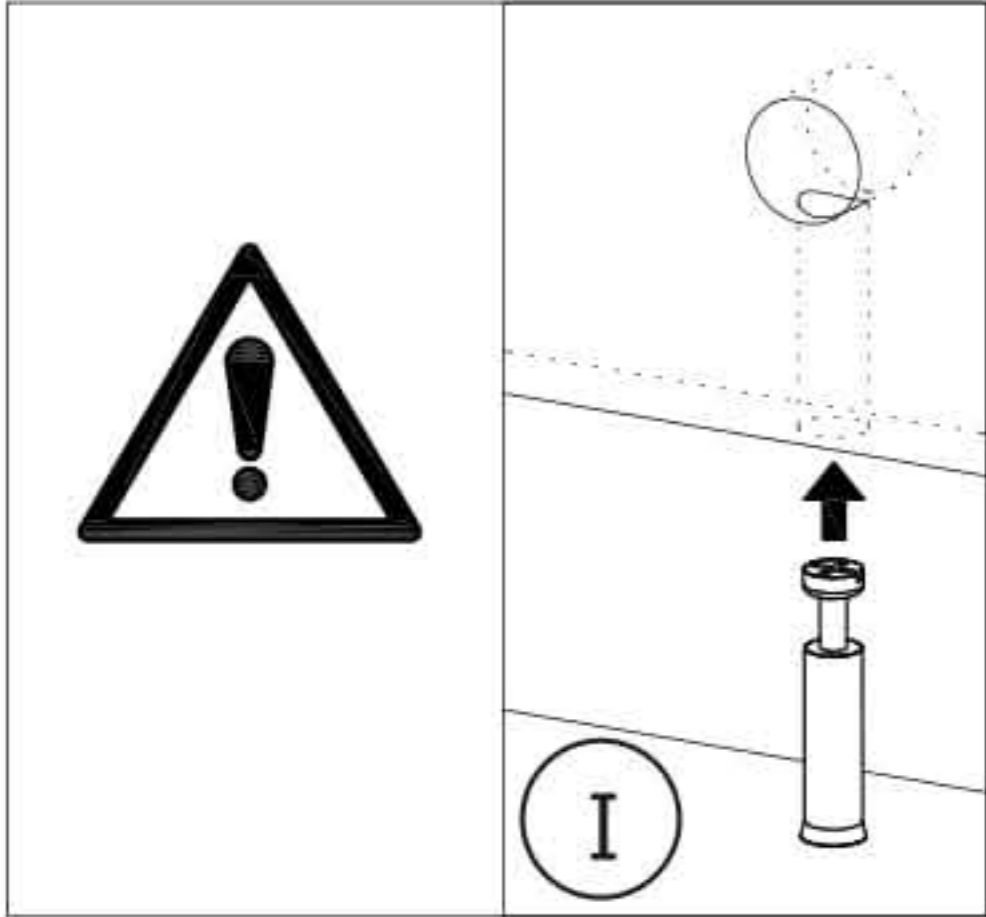
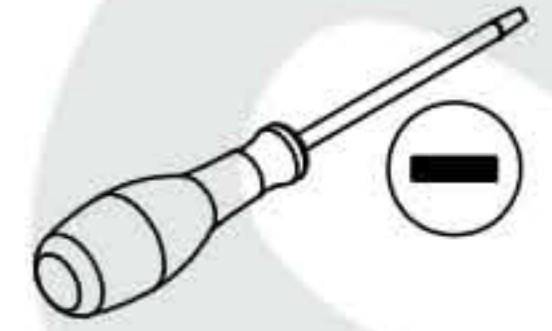
3

D x 4  Ø5x44 mm	
--	---

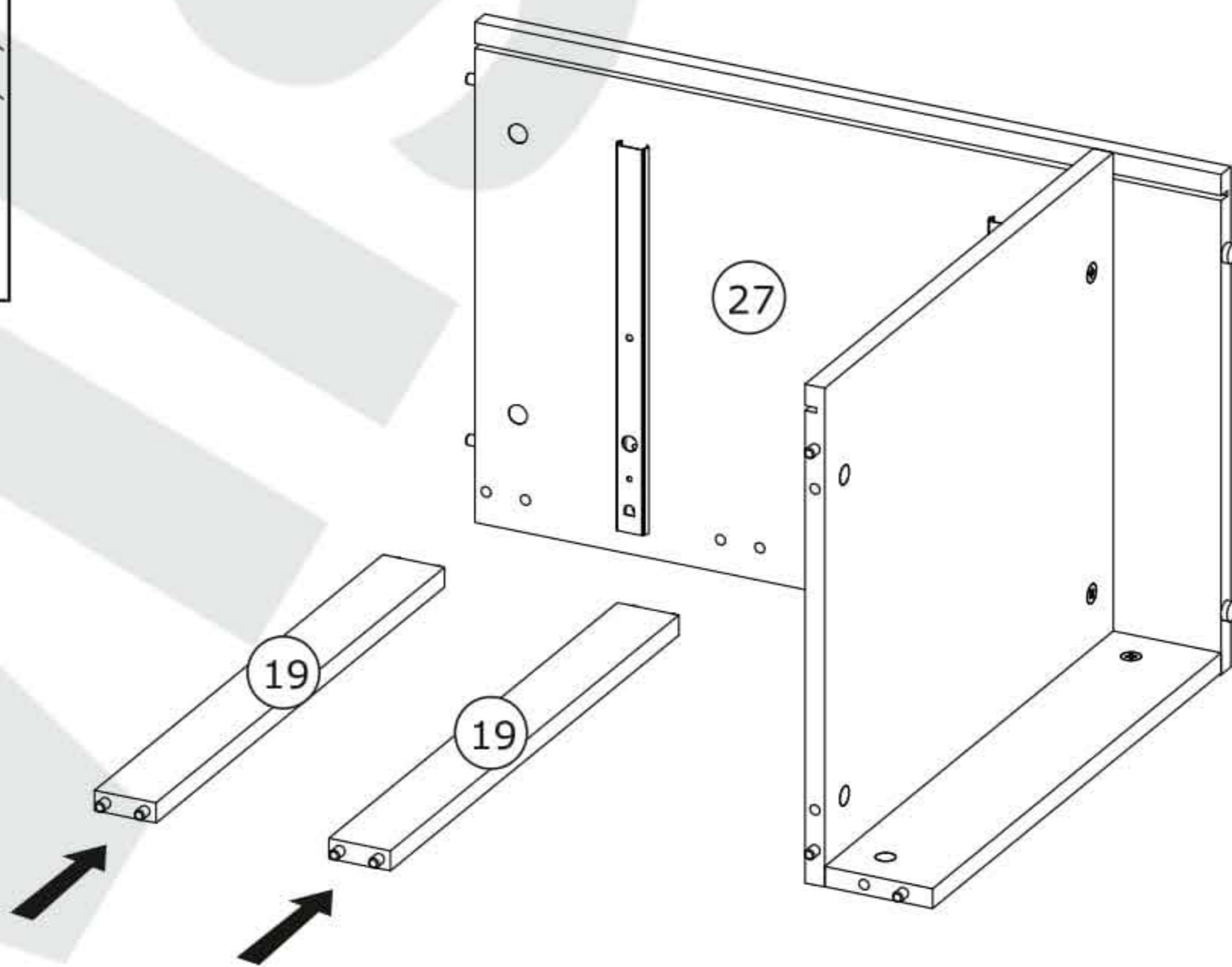
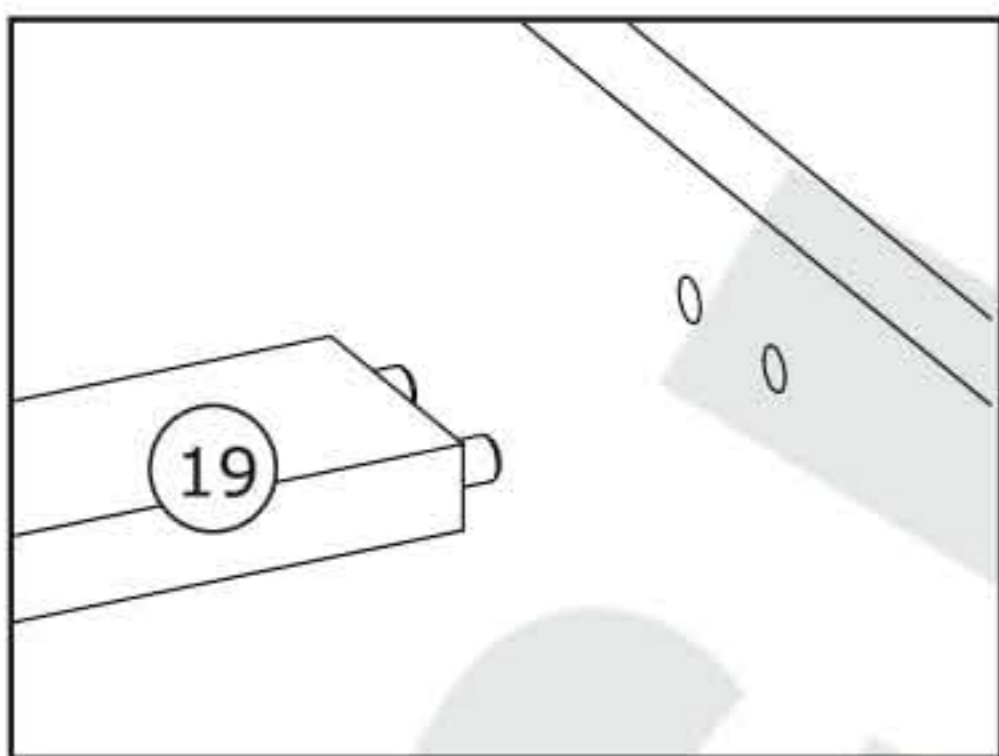


4

C x 3
Ø15x12 mm

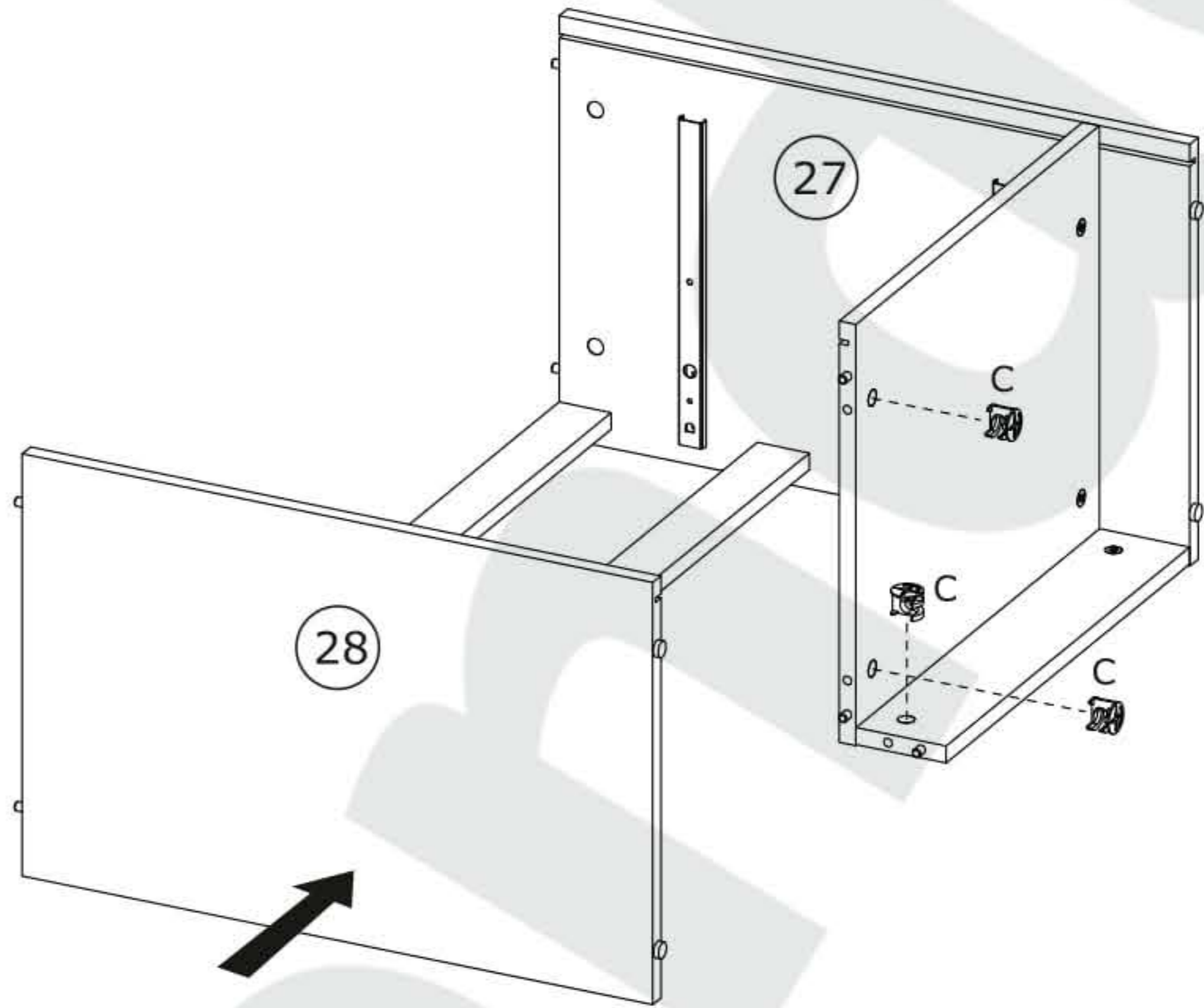
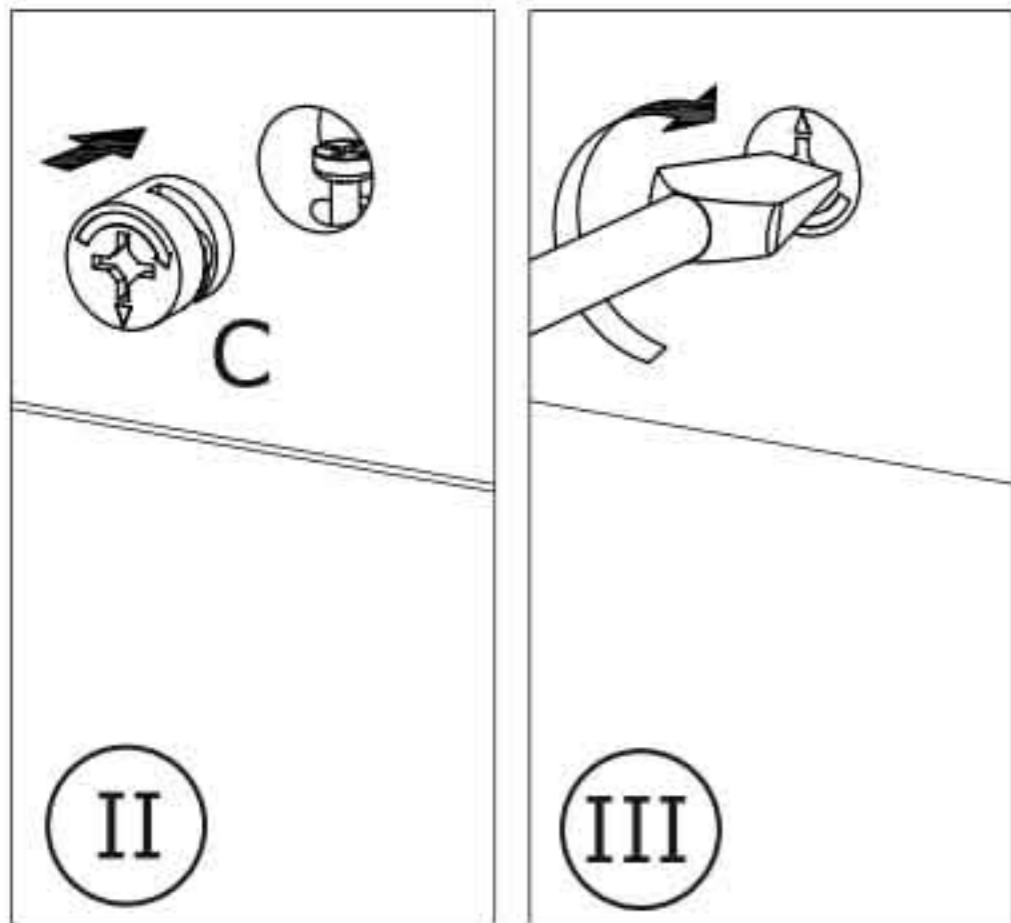
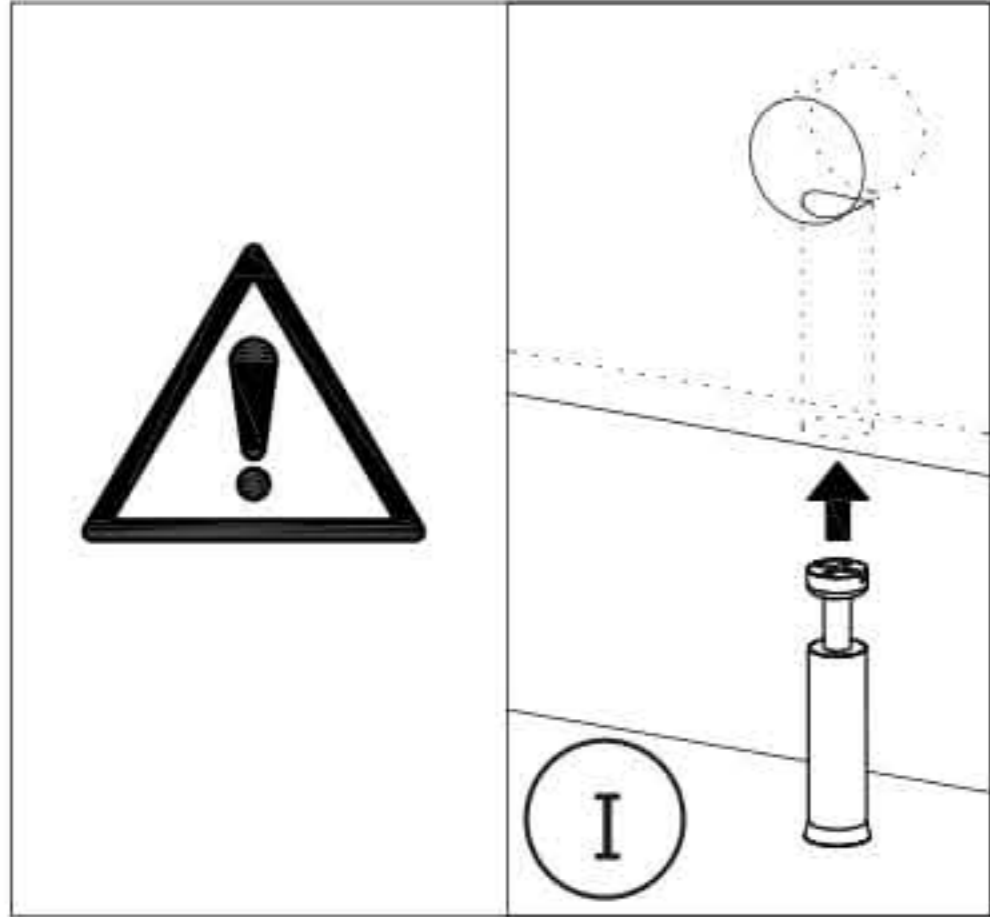
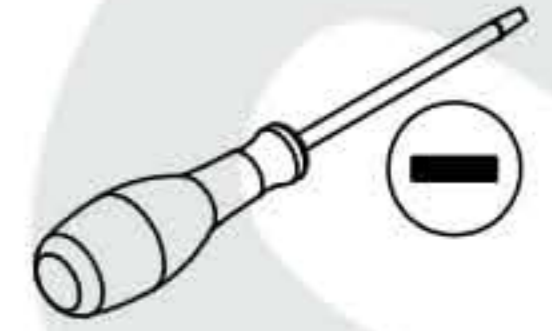


5



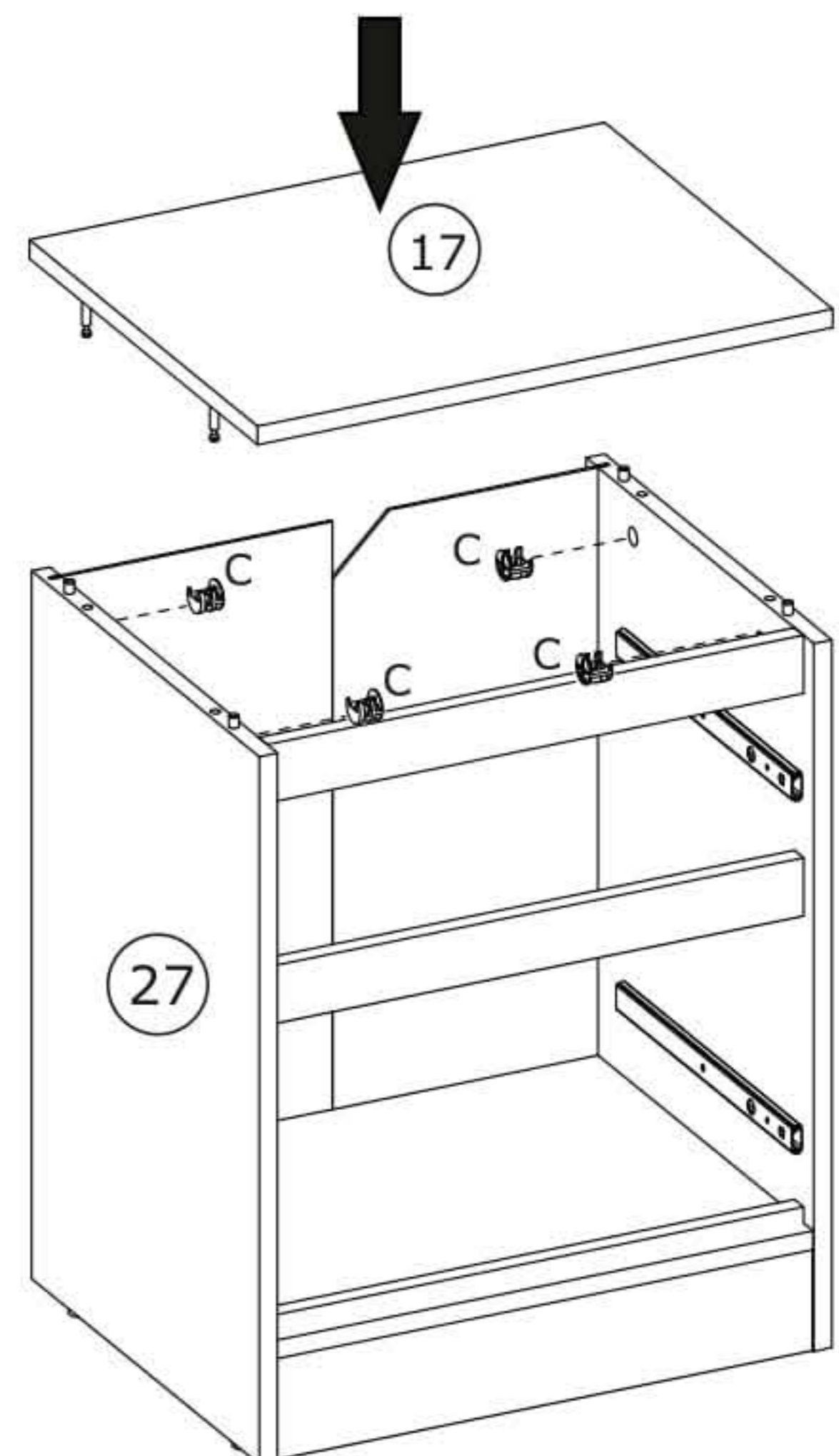
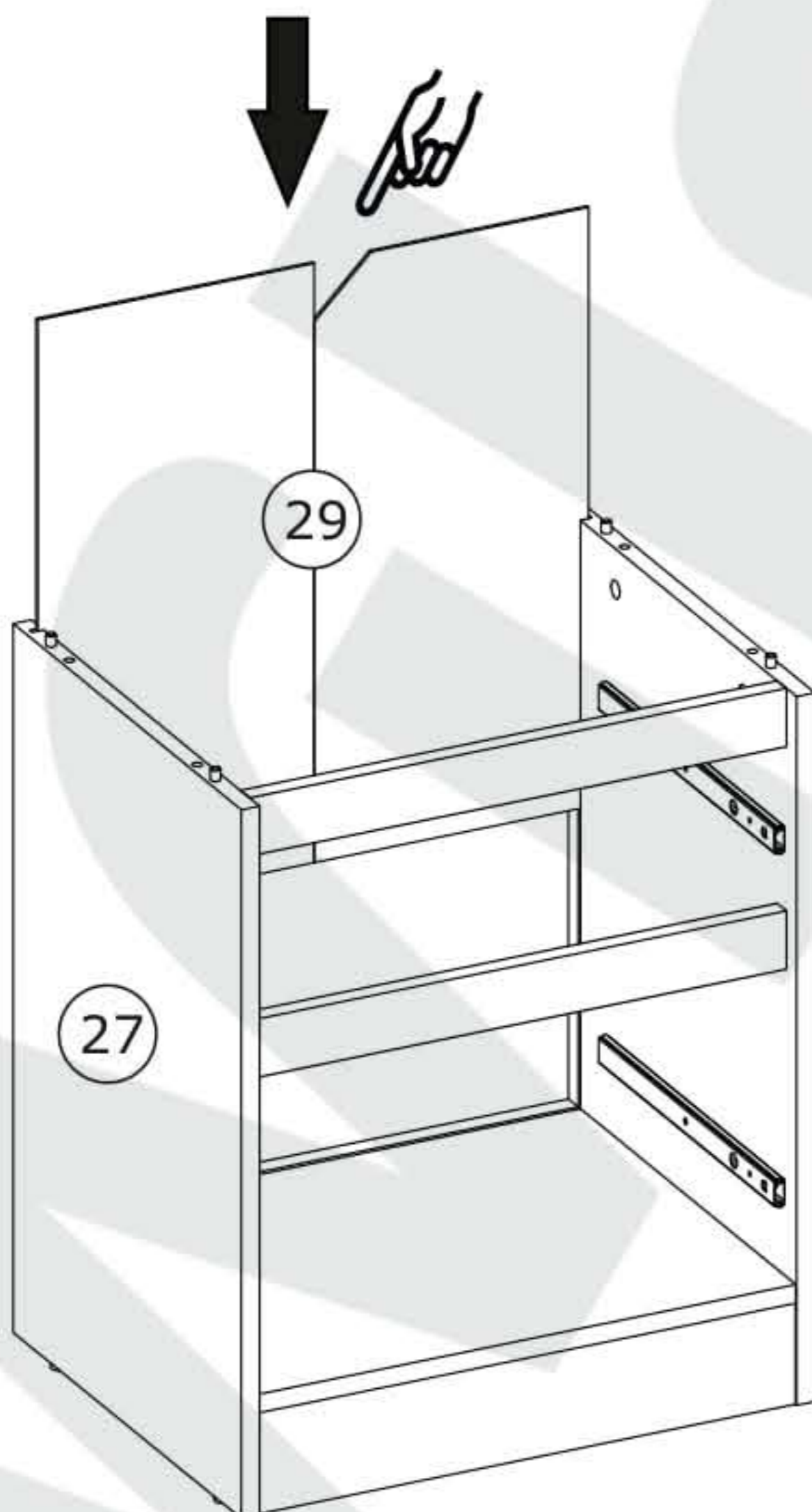
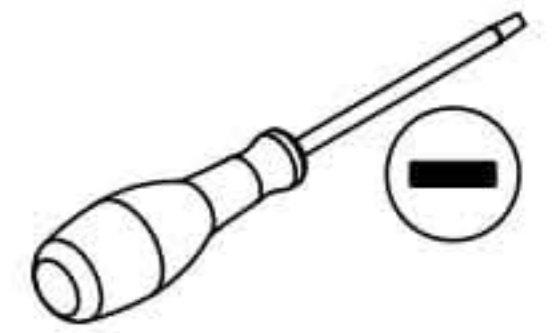
6

C x 3
Ø15x12 mm



7


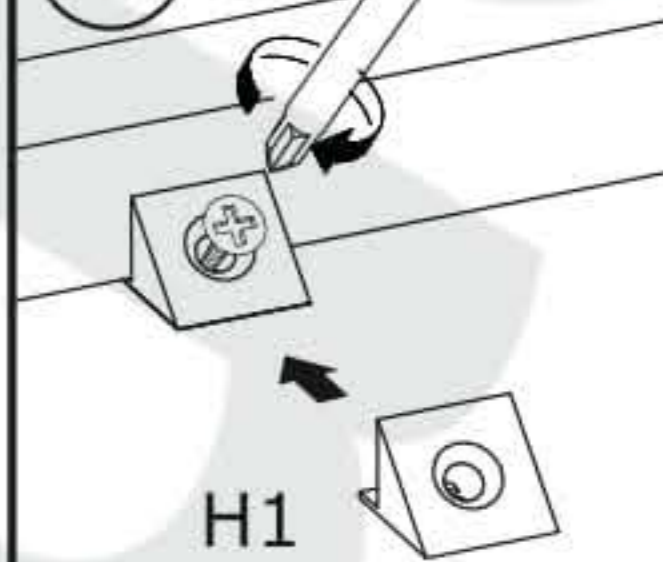
C x 4
Ø15x12 mm

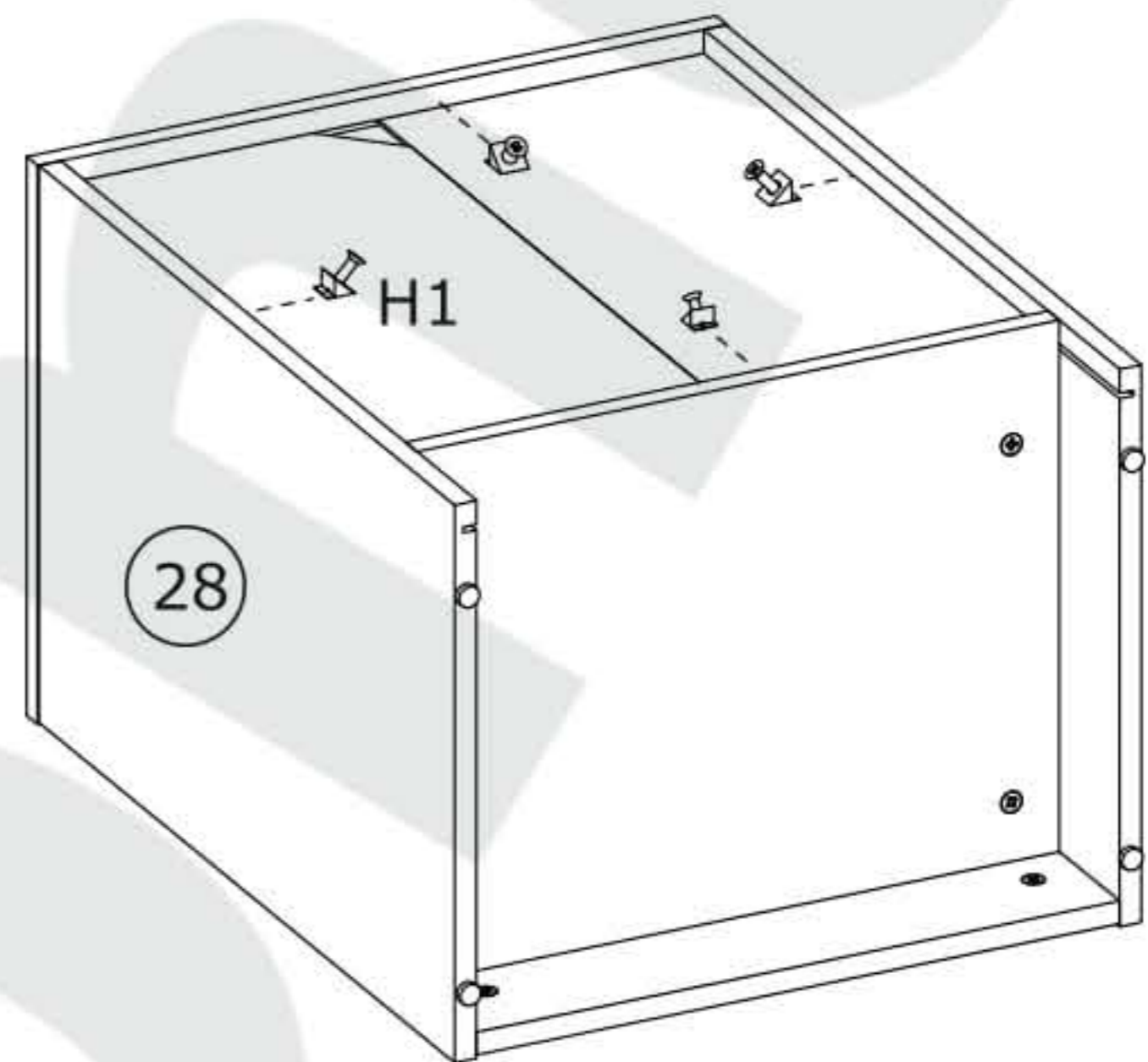
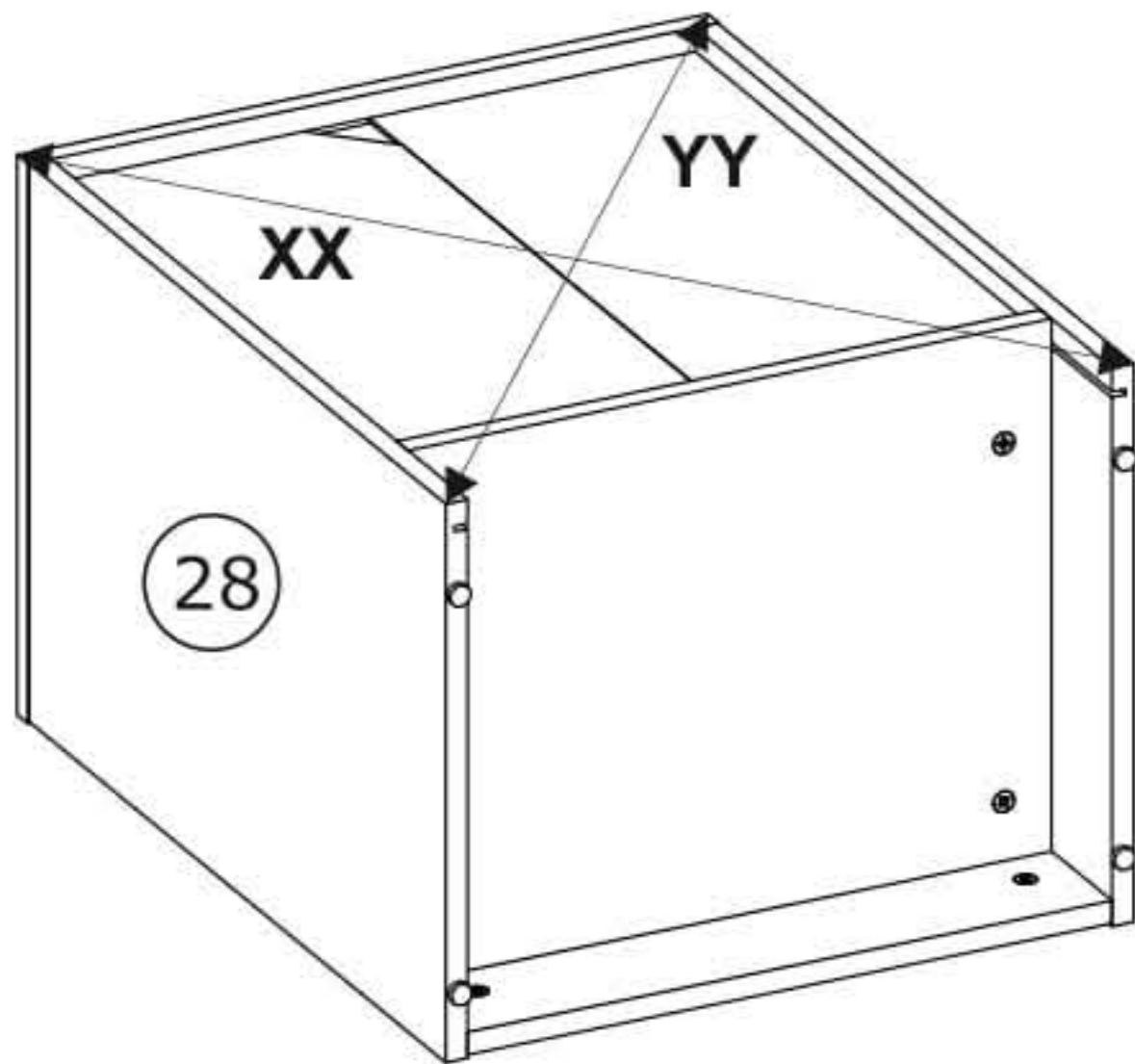


8

H1 x 4		
		
10x10 mm		

! $XX=YY \equiv 90^\circ$

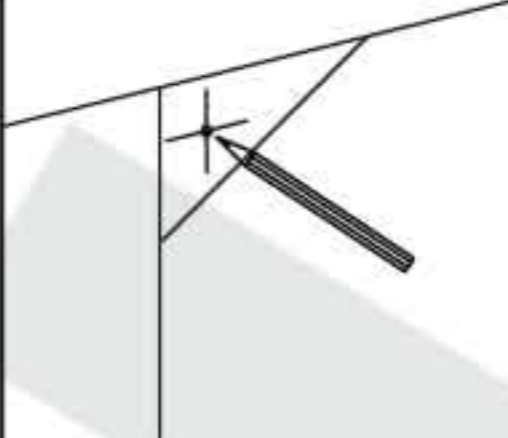
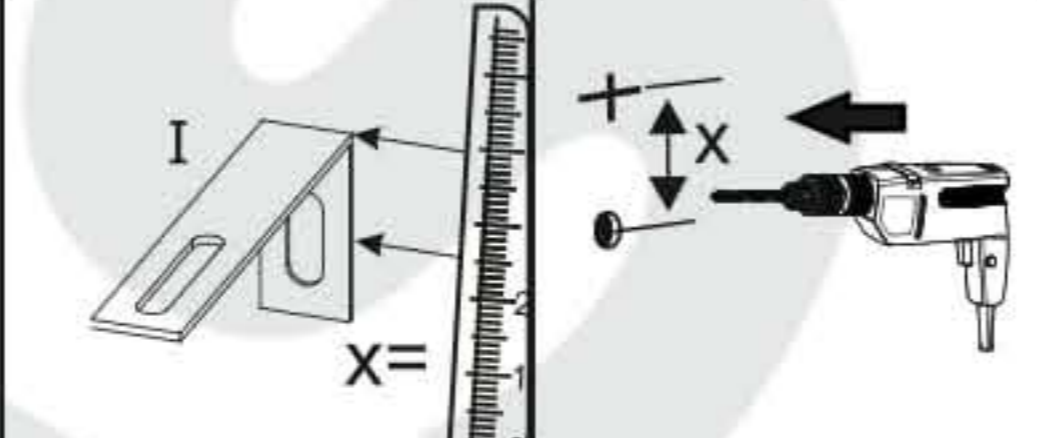

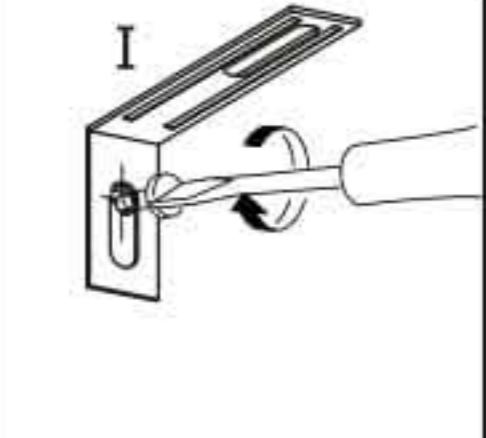

I	II
	
H1	H1

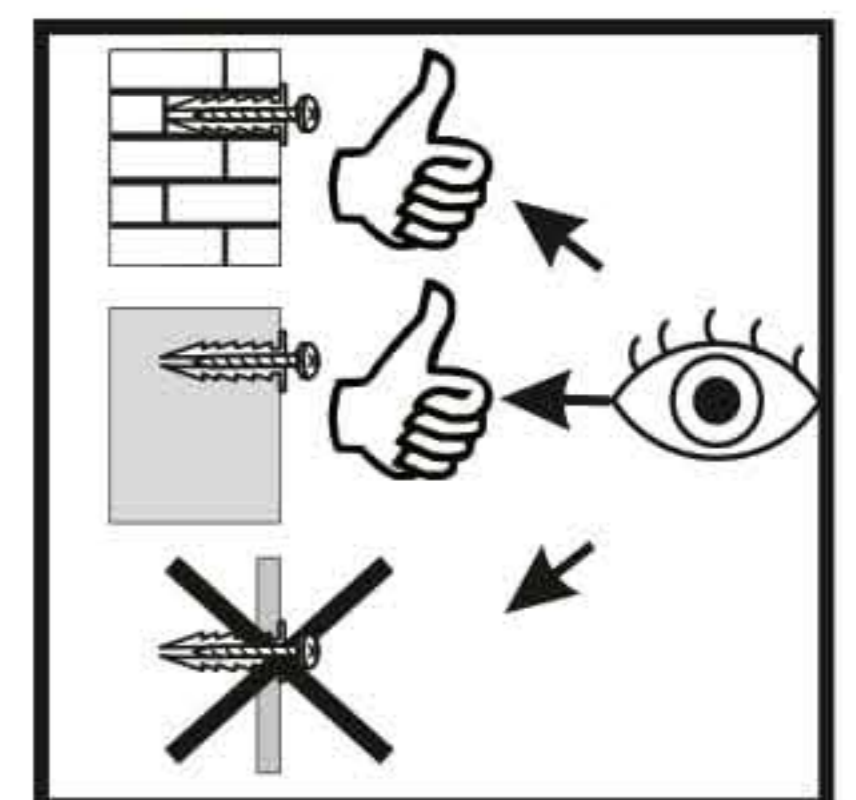
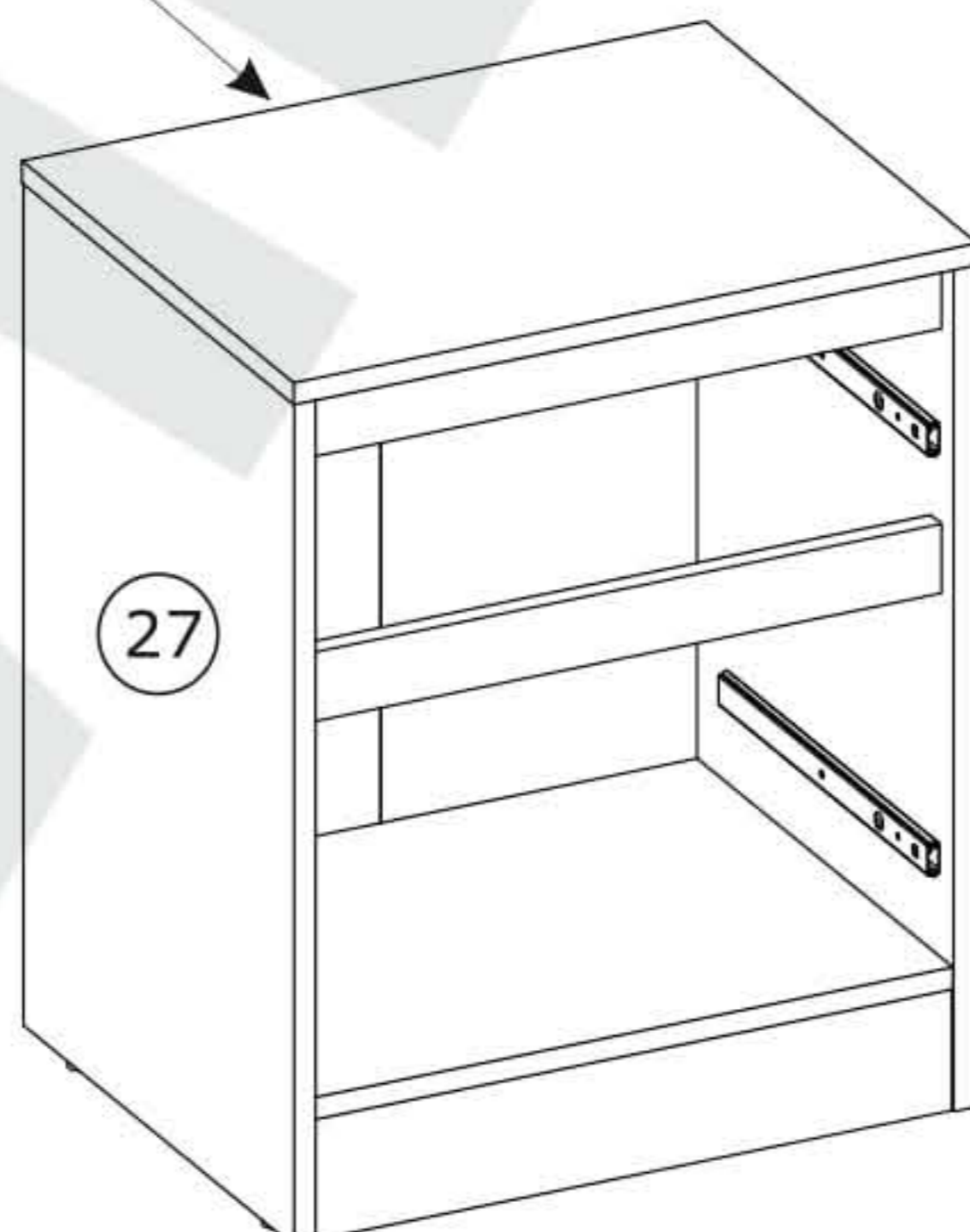


9


I x 1	J x 1		
			
	3,5x16 mm		

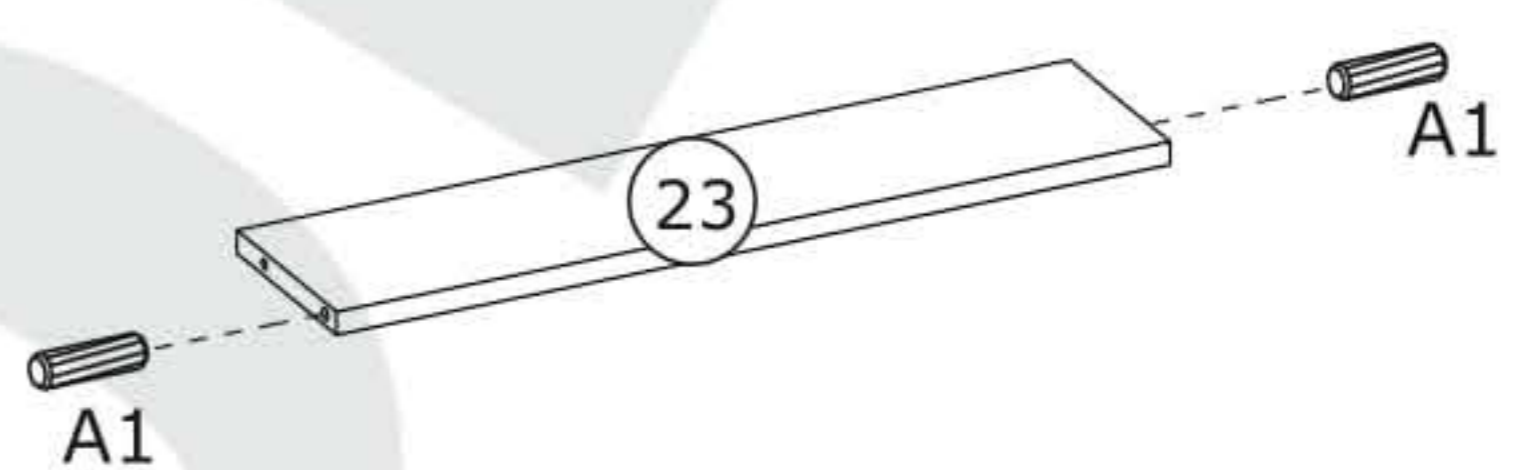
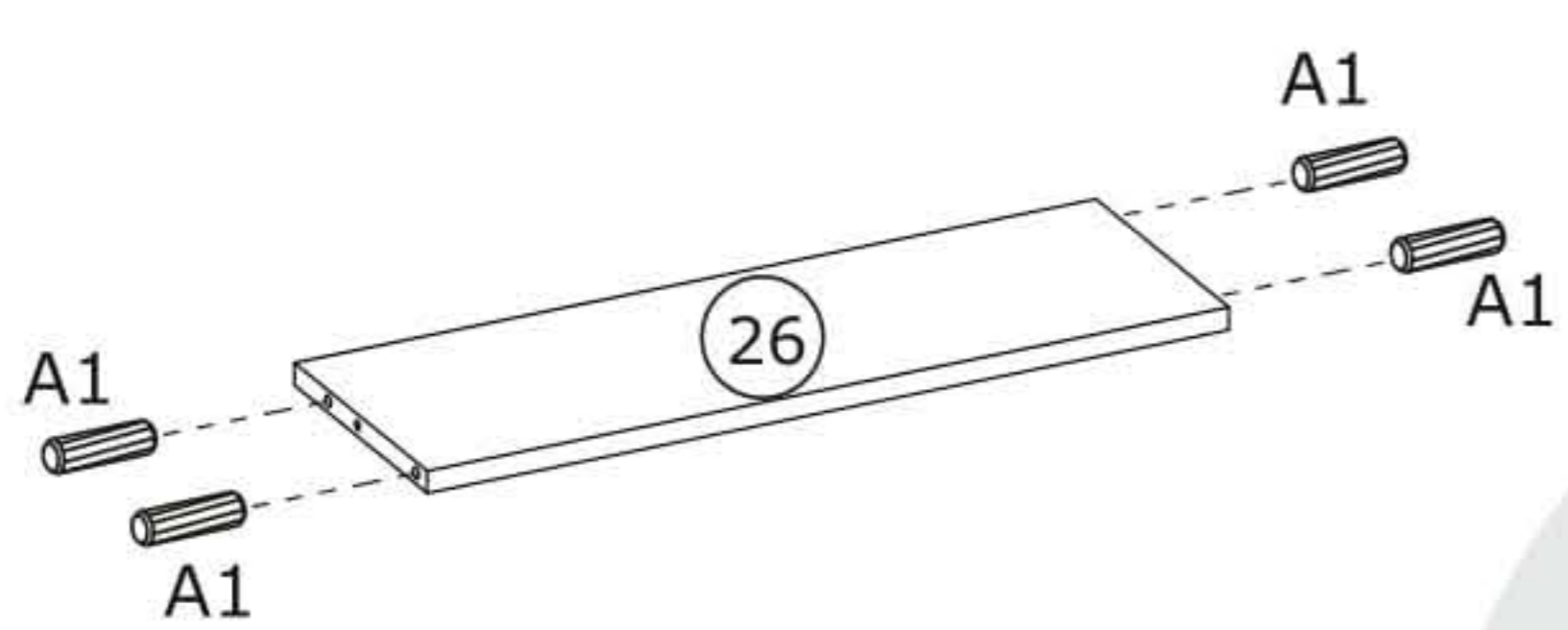
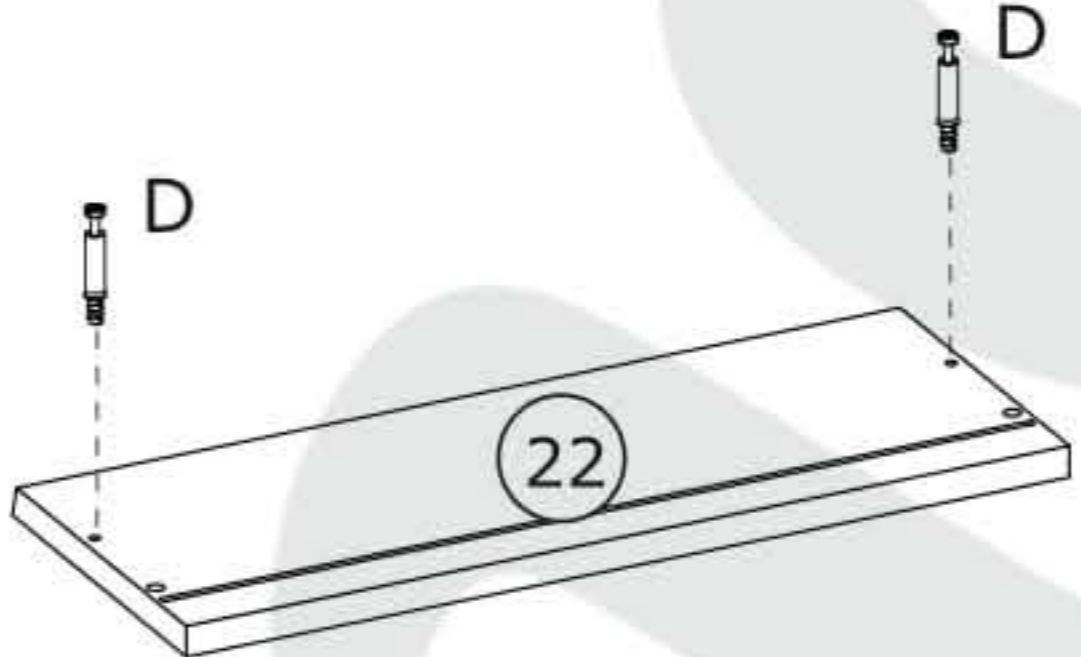
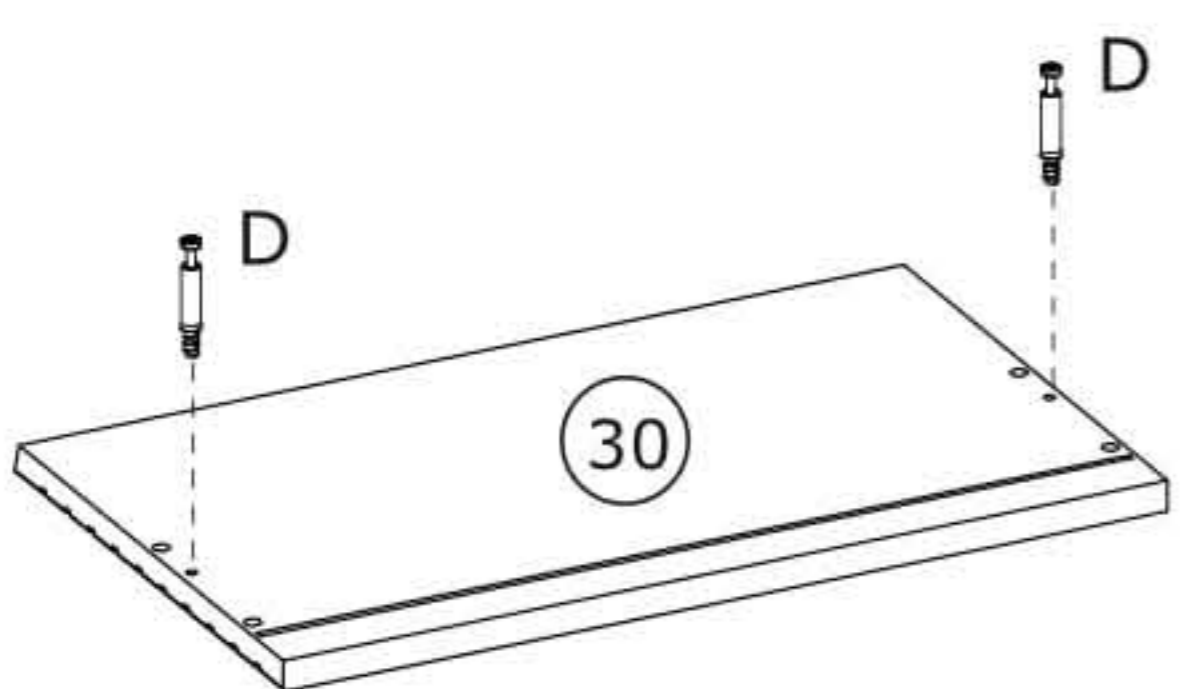
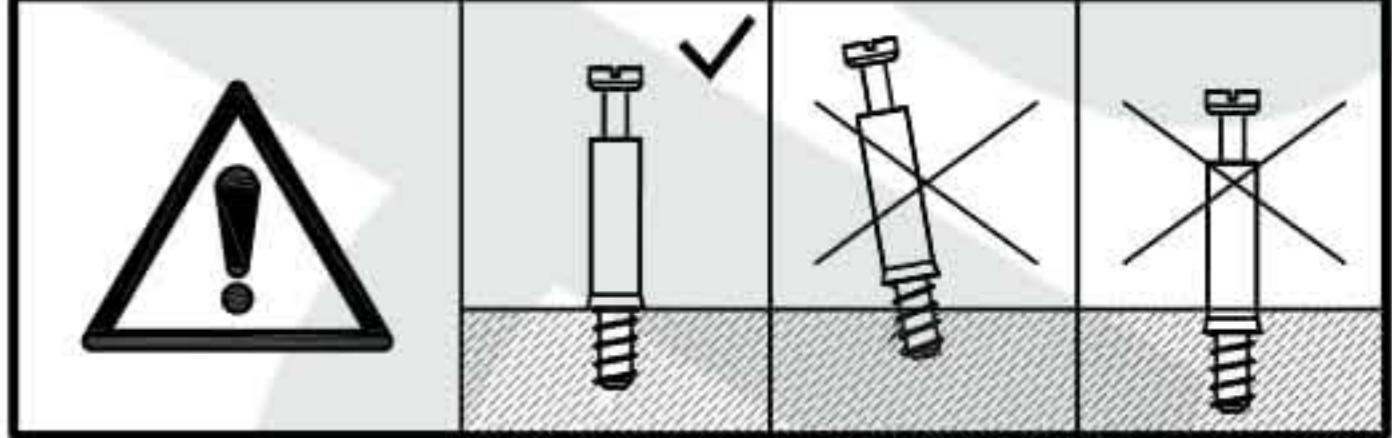


				
---	--	---	---	---



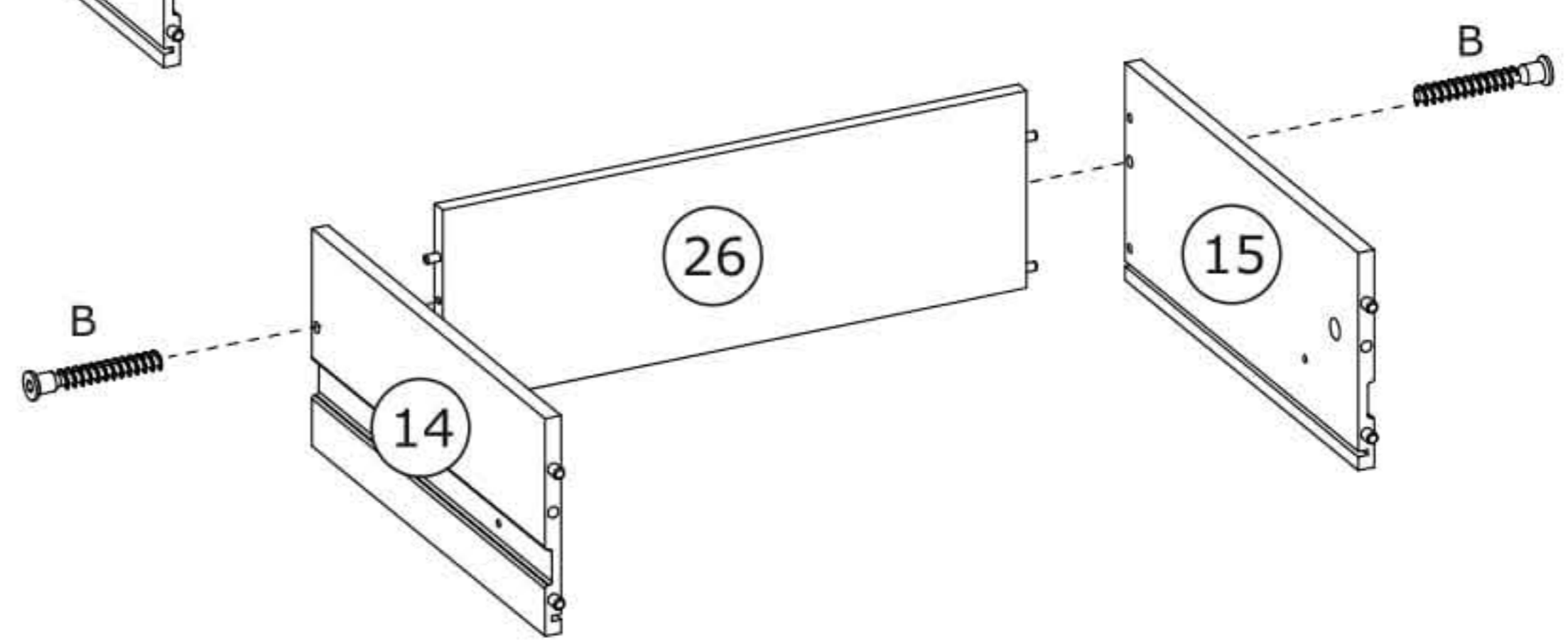
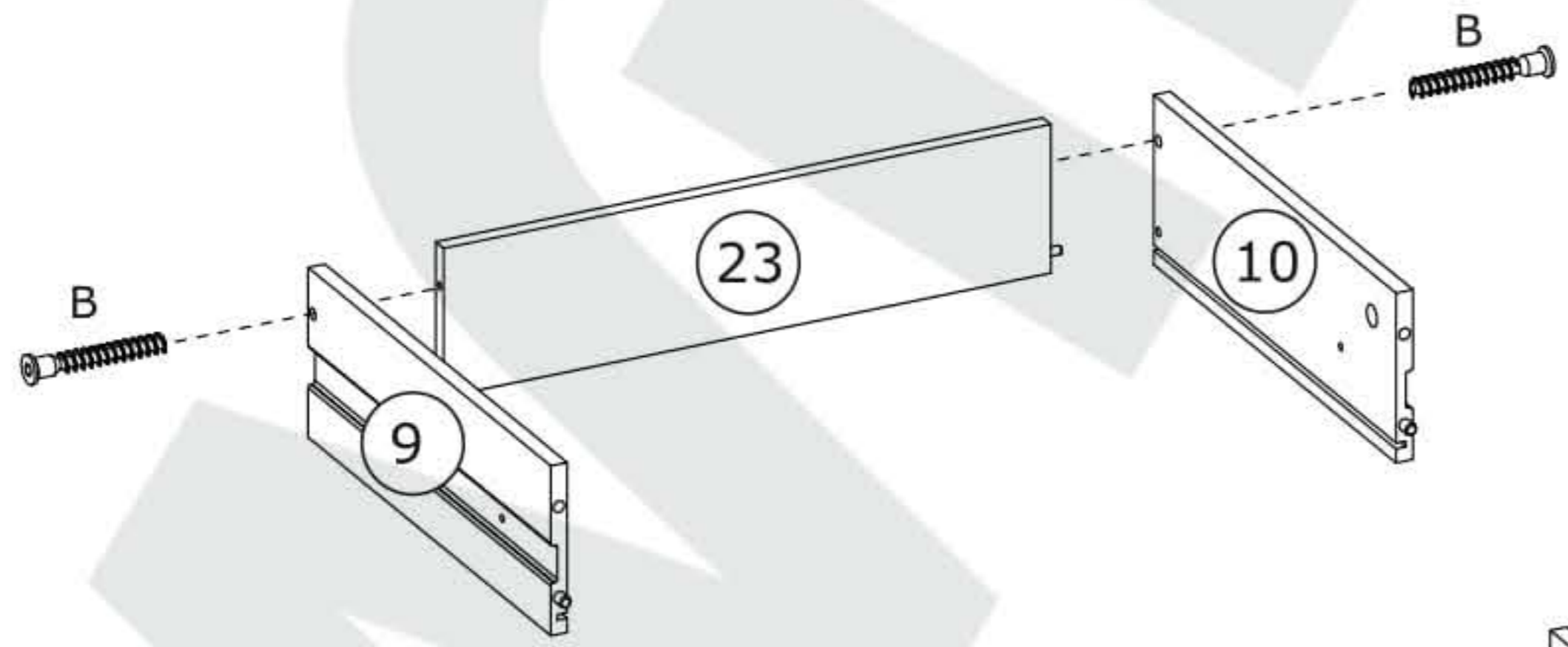
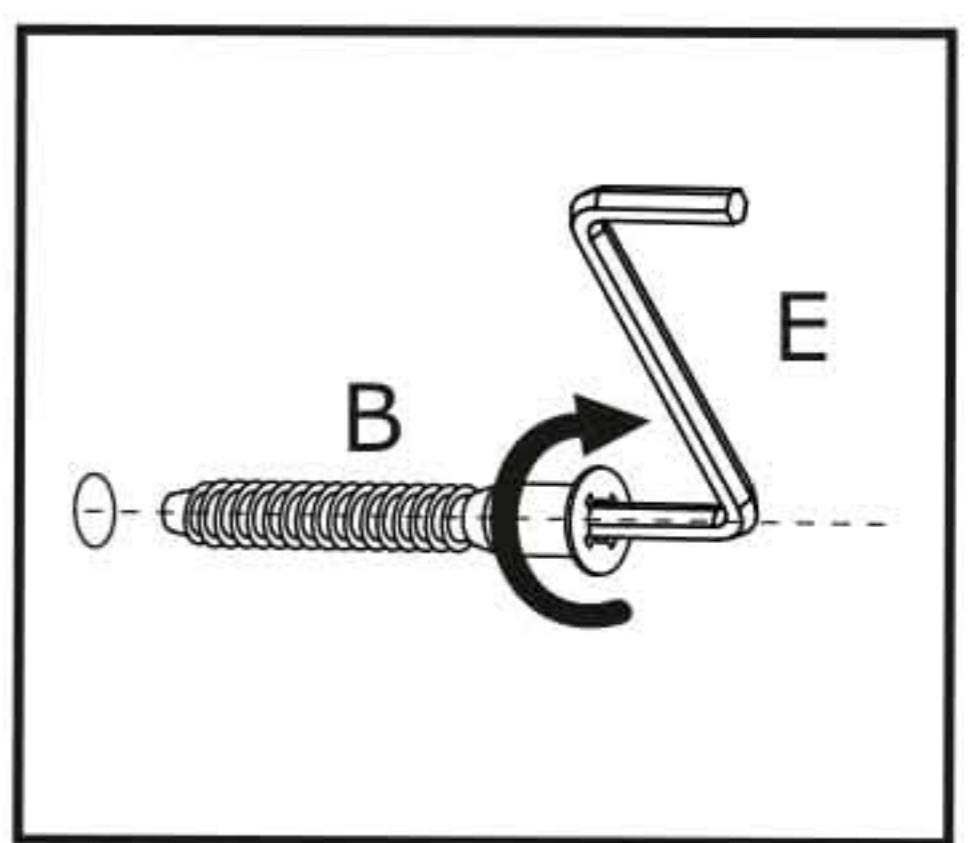
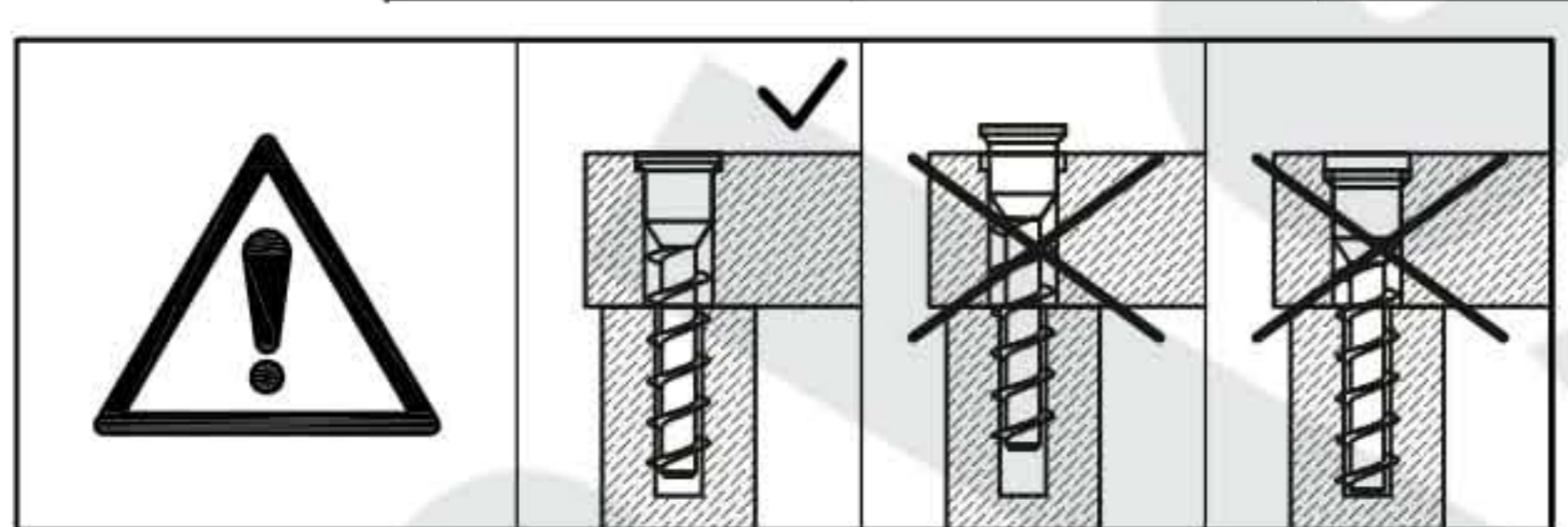
10

A1 x 6  Ø6x30 mm	D x 4  Ø5x44 mm	
---	--	---




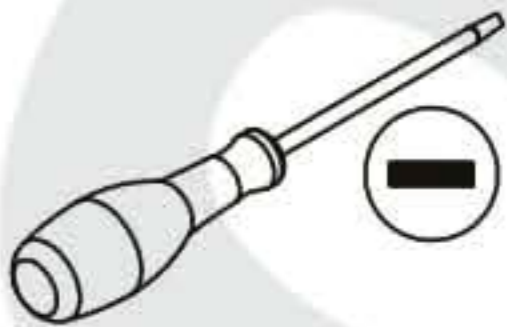


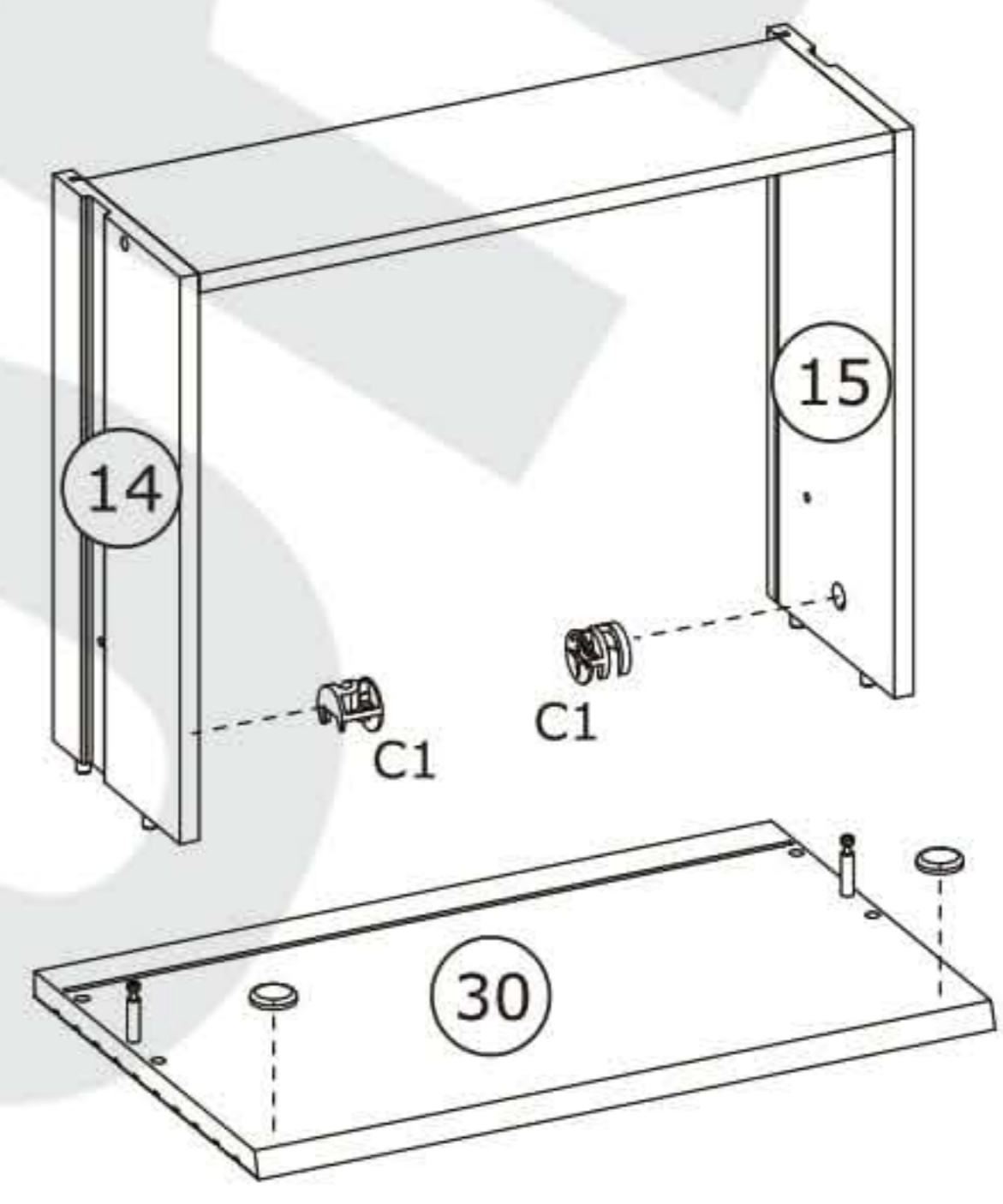
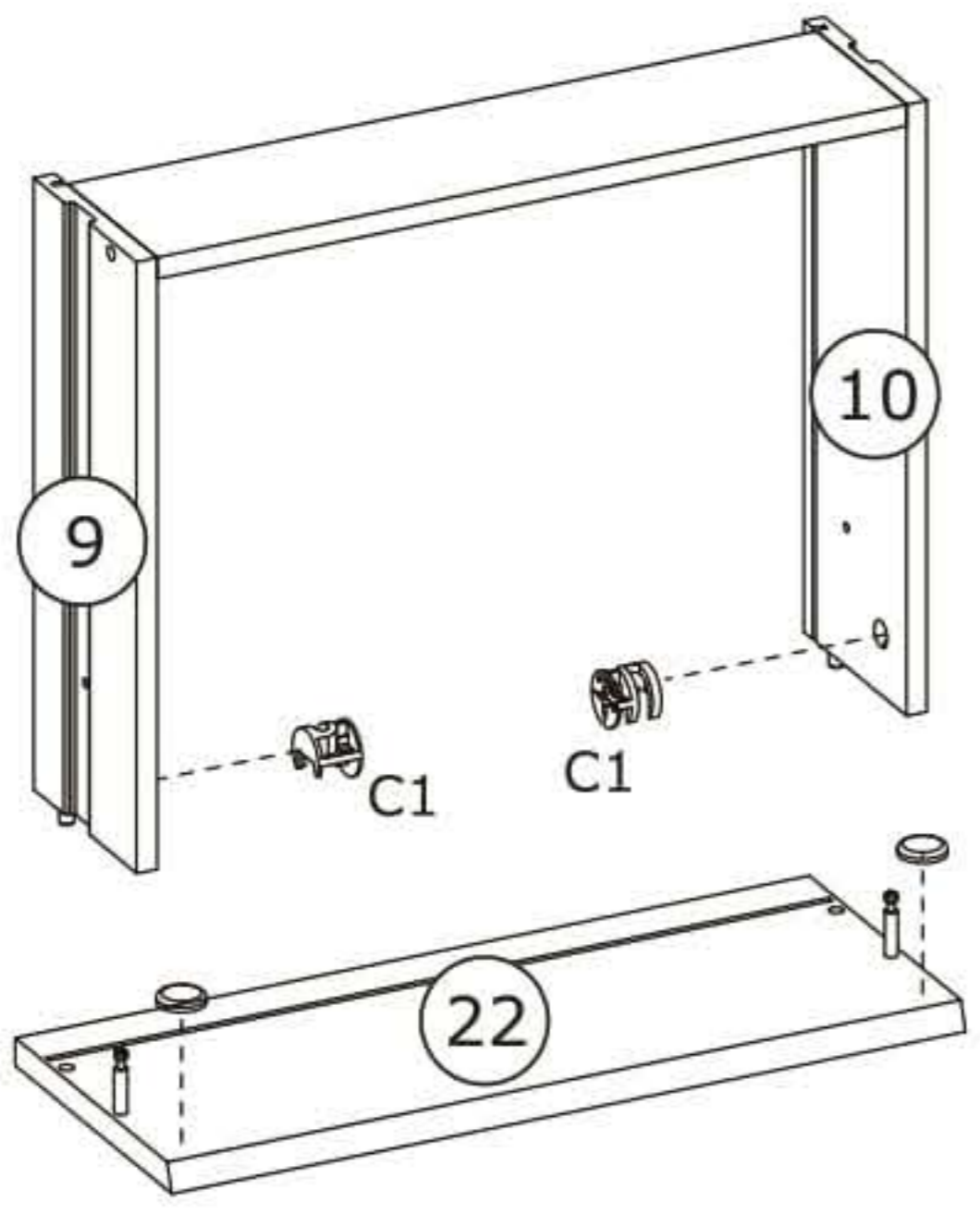
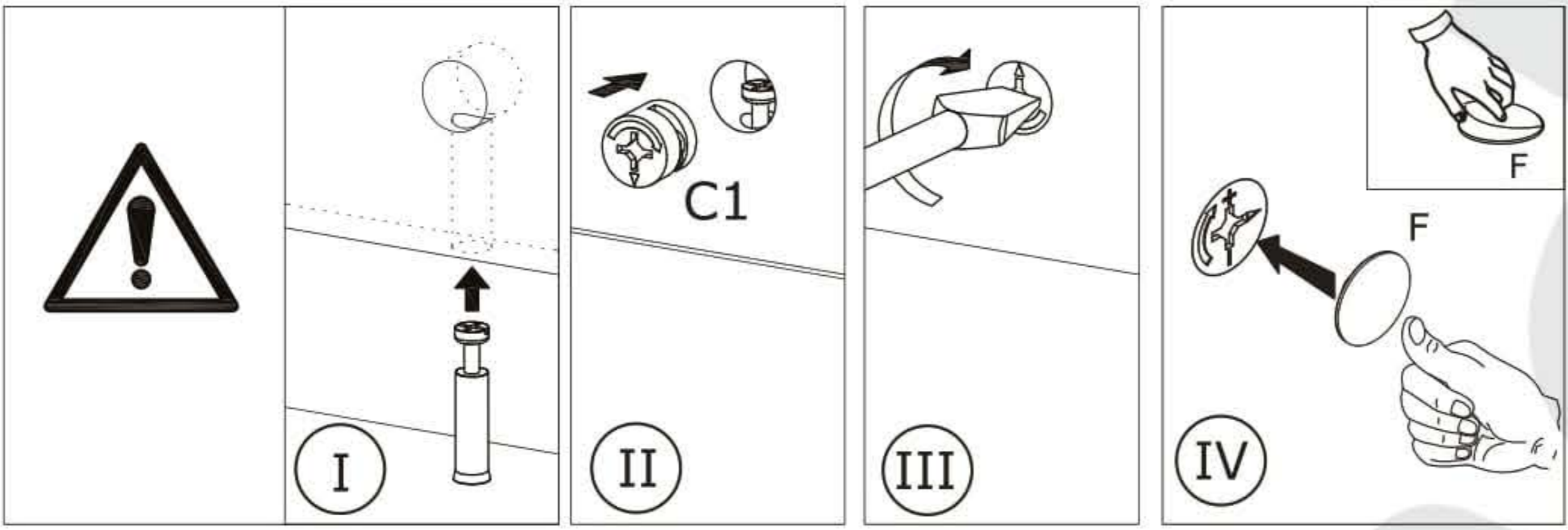
11

B x 4  Ø7x50 mm	E x 1  4 mm	
--	--	--

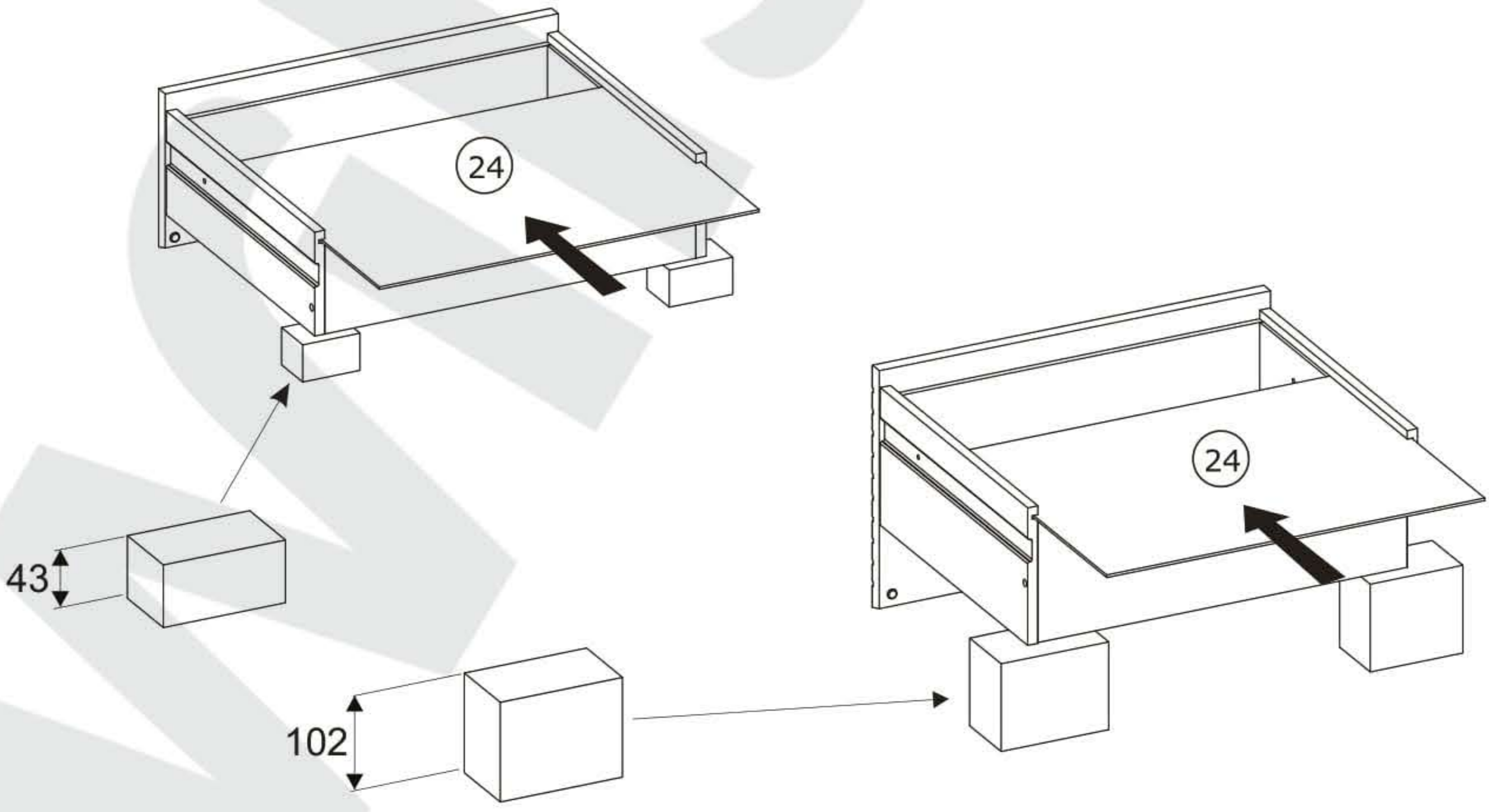


12




C1 x 4  Ø15x10 mm	F x 4  20 mm	AA x 4 	
--	---	---	---



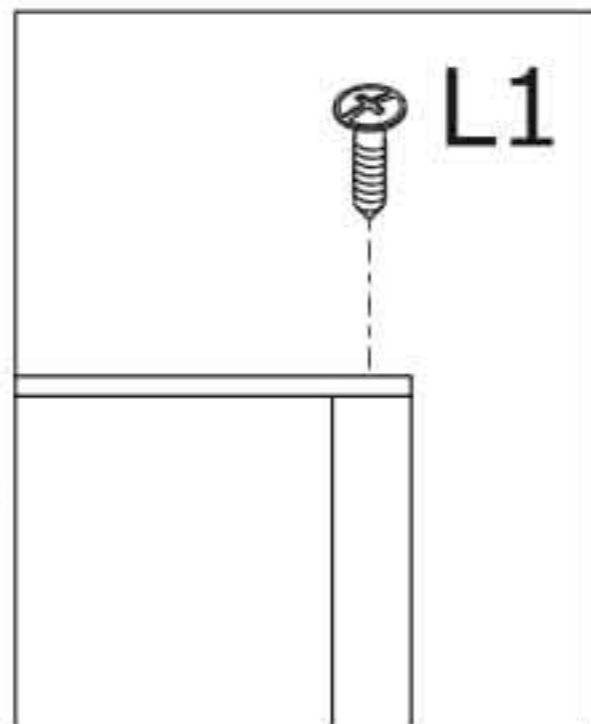
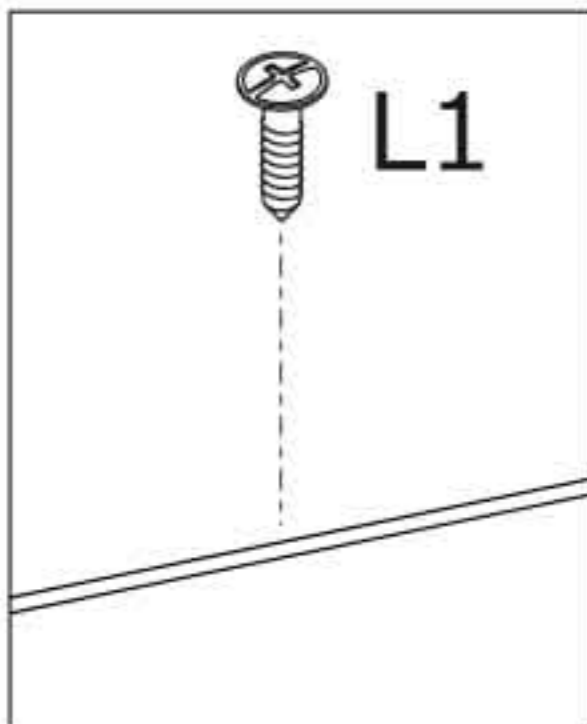
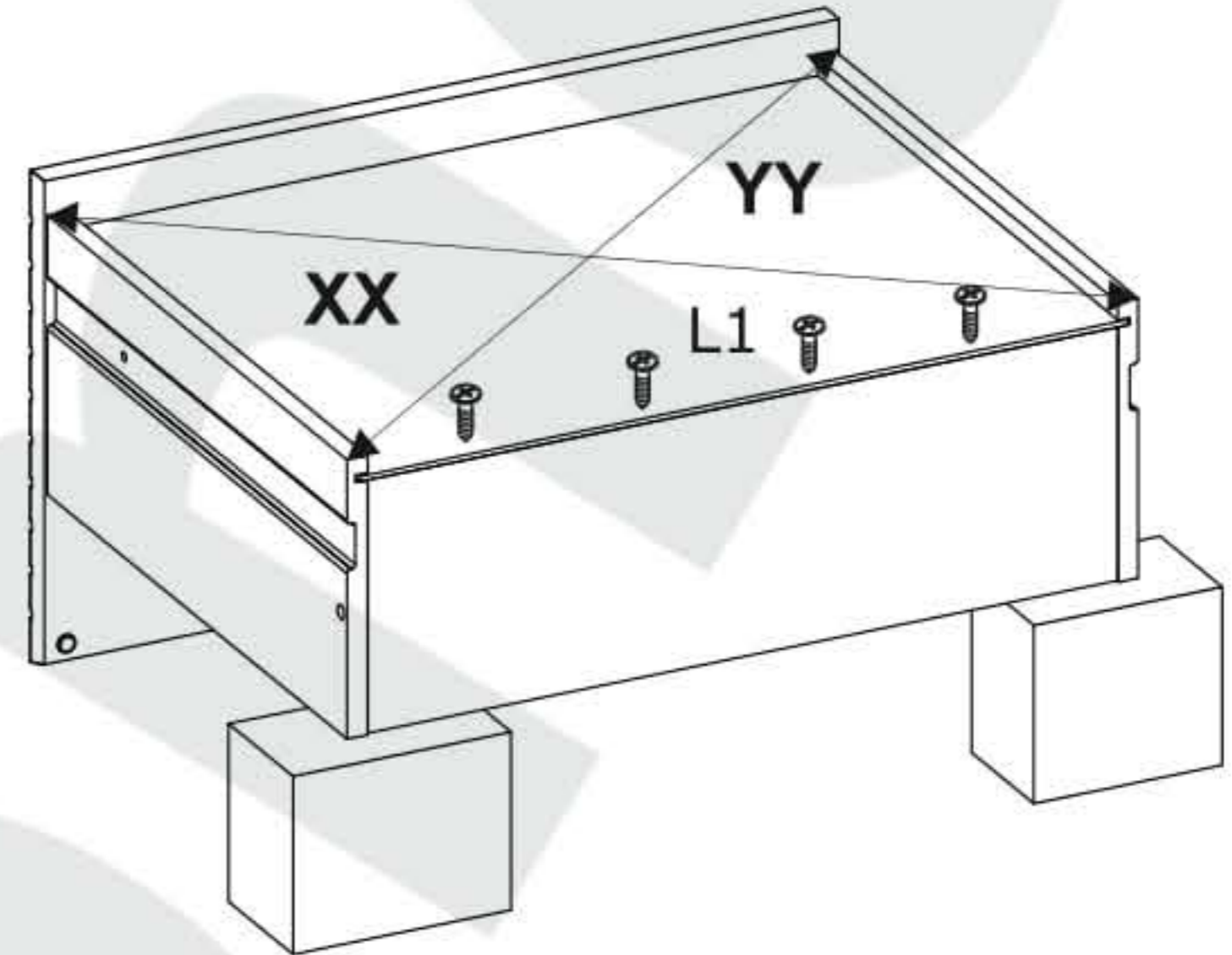
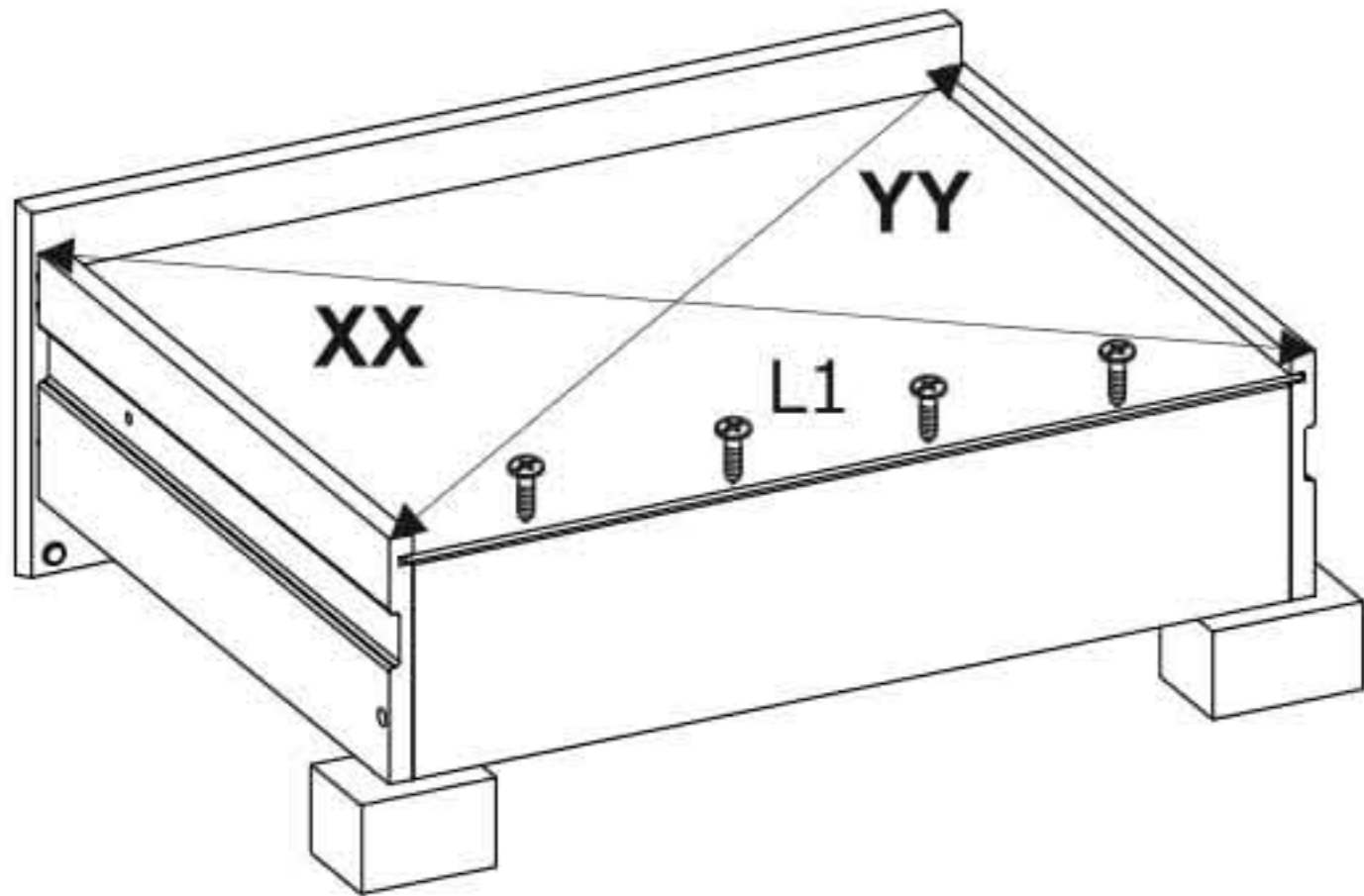
13



14

L1 x 8  Ø3x20 mm	 
---	--

 $XX=YY\equiv 90^\circ$



15

Q x 4  4x9 mm	
--	---

