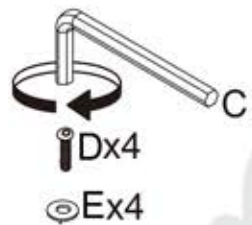
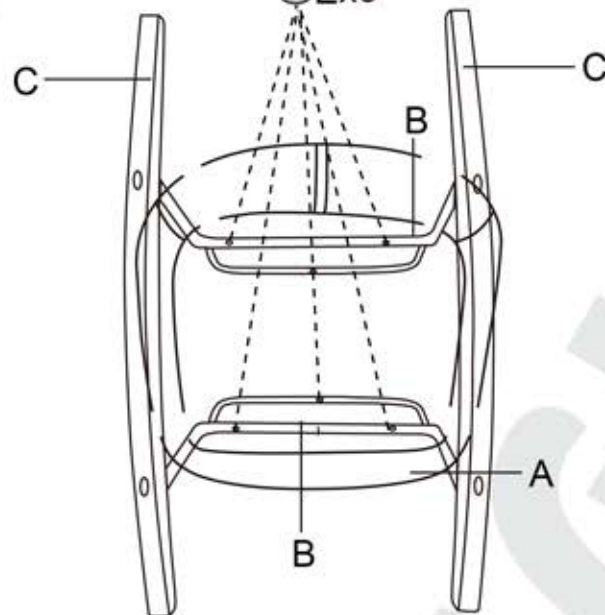
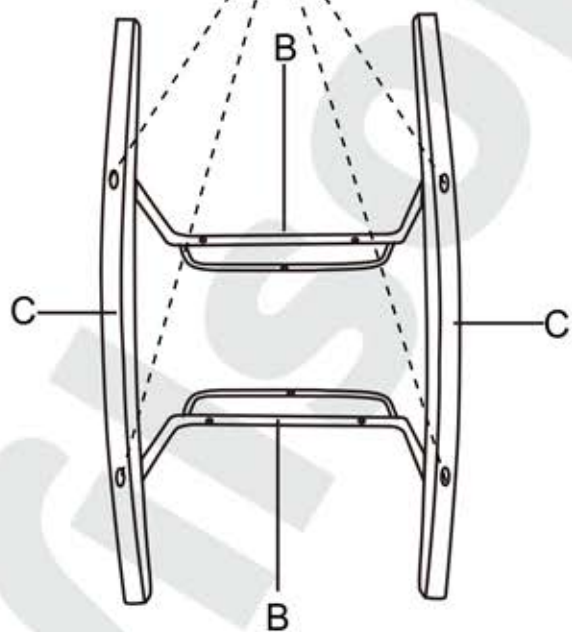






BELMIRO

1



2



A		1
B		2
C		2
D	 Mx15mm	10
E	 Ø8/Ø16mm	10

 max. 100 kg

