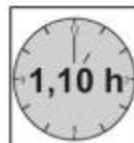
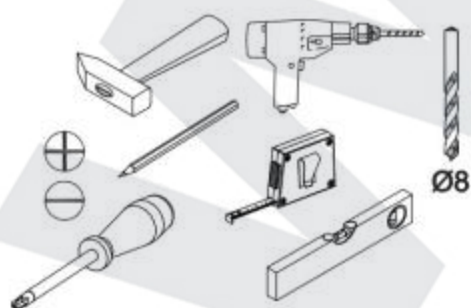
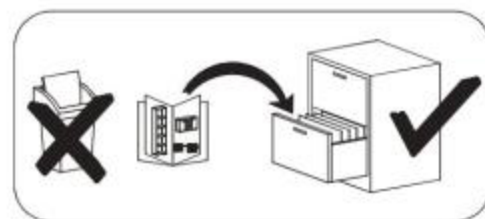
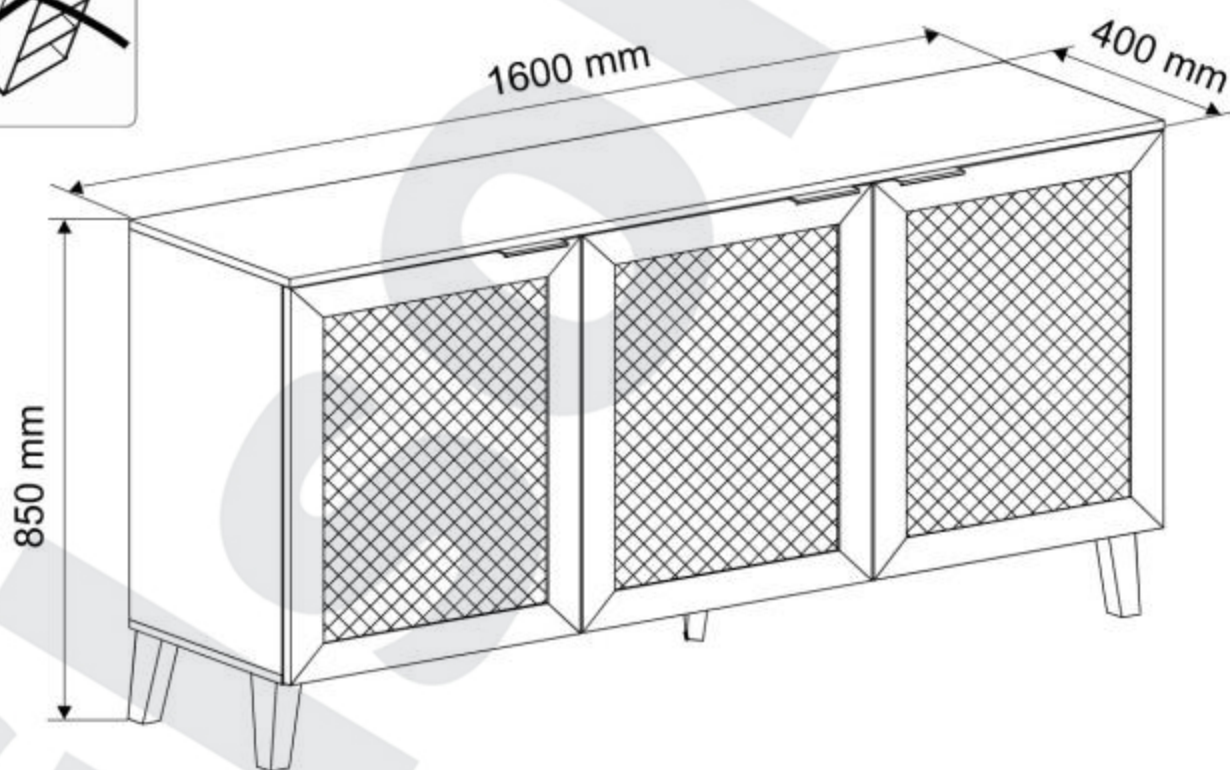
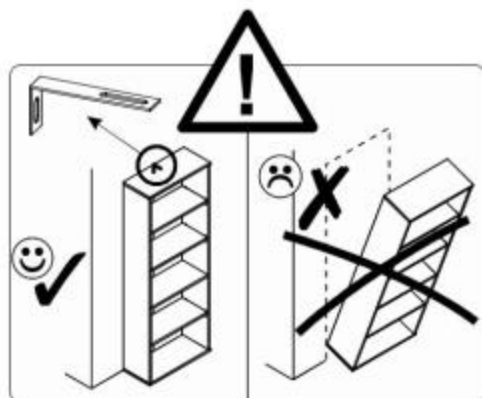
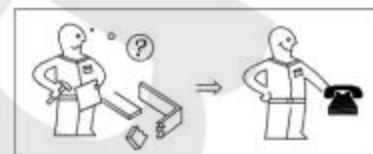
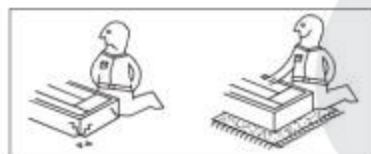
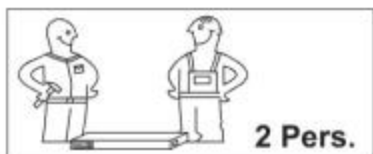


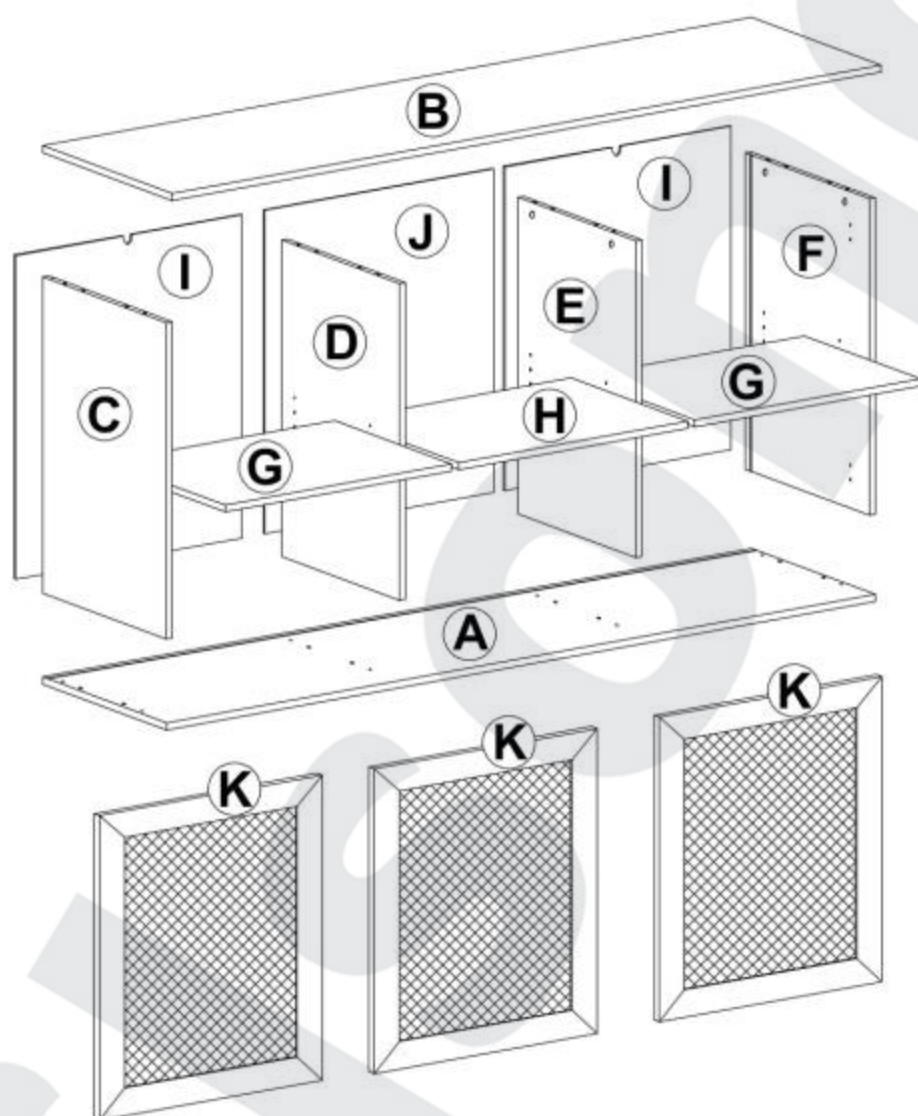
# BORNEO

# KM-1










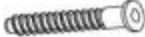













# BORNEO

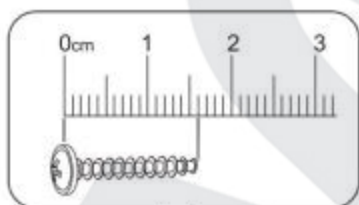
# KM-1



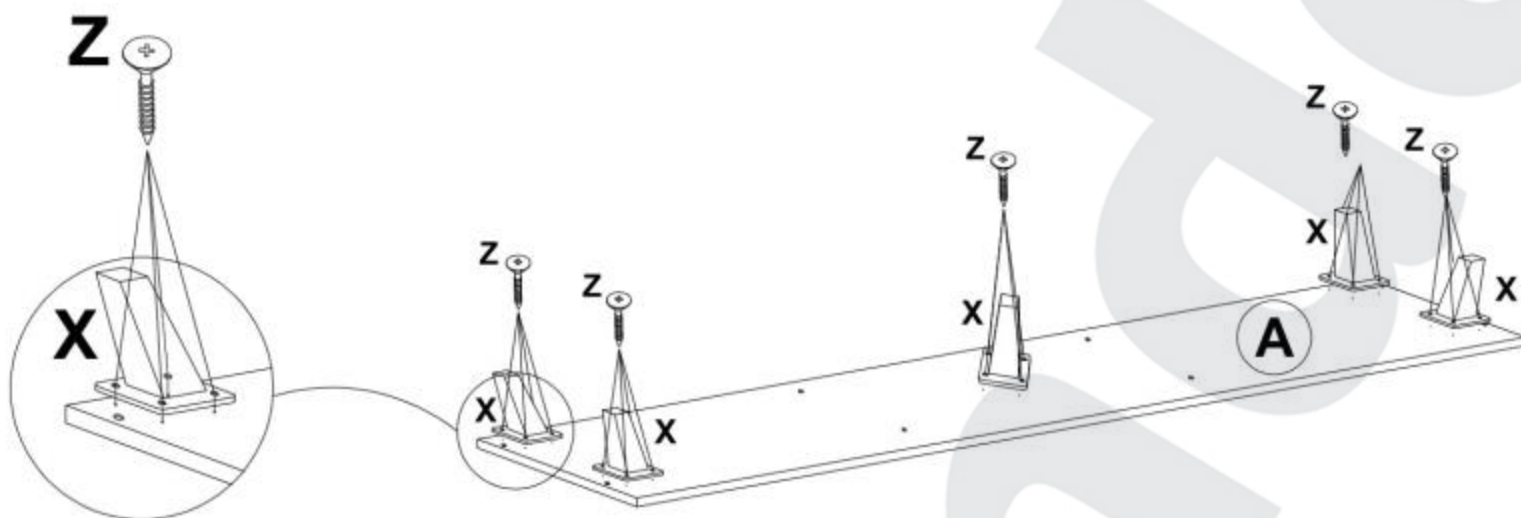
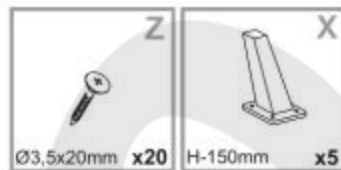
# BORNEO

# KM-1

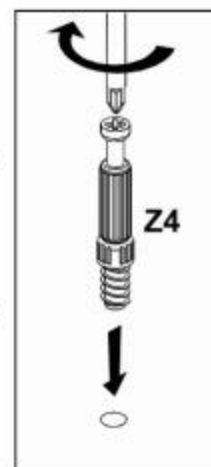
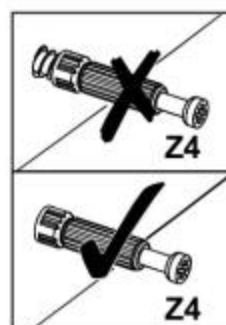
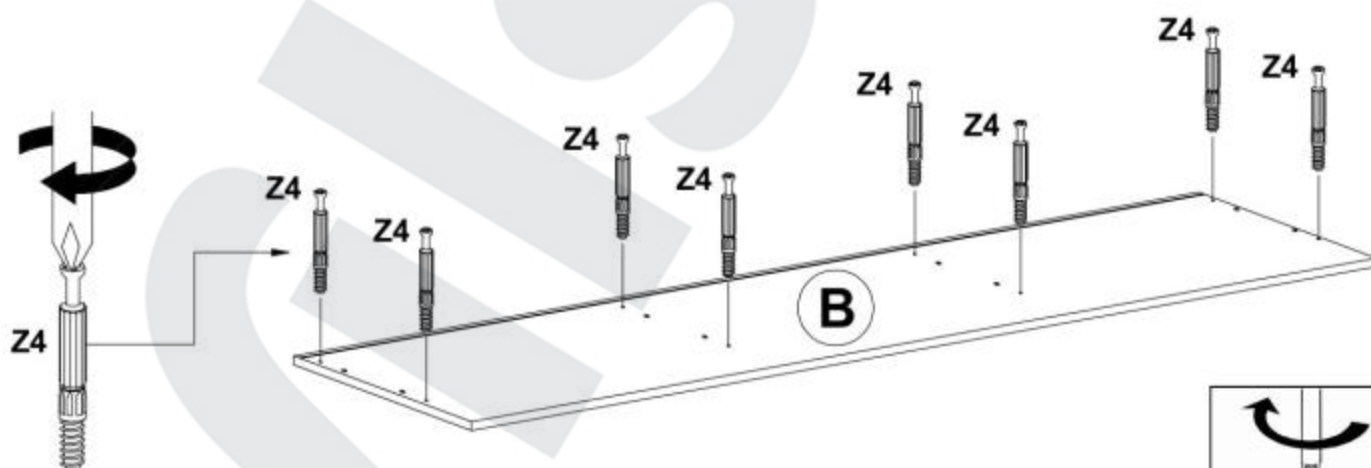
 4mm <b>Z6</b> x1	 Ø3,5x20mm <b>Z</b> x20	 <b>L</b> x12	 Ø15x13mm <b>Z5</b> x8	 L-116mm <b>Z1</b> x3	 Ø3,5x16mm <b>W</b> x12
 Ø3x16mm <b>Q</b> x16	 Ø7x50mm <b>Z7</b> x8	 Ø8x30mm <b>Z3</b> x16	 <b>Z4</b> x8	 <b>T</b> x2	 Ø18mm <b>Y</b> x8
 Ø8x40mm <b>U</b> x2	 Ø4x16mm <b>S</b> x4	 <b>Z2</b> x24	 Ø4x40mm <b>R</b> x2	 H-150mm <b>X</b> x5	
 KR-0 <b>M+M10</b> x2	 KR-0 <b>N+N10</b> x2	 KR-8 <b>0+010</b> x1	 KR-8 <b>P+P10</b> x1		



# 1

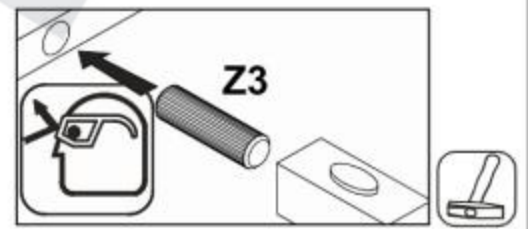
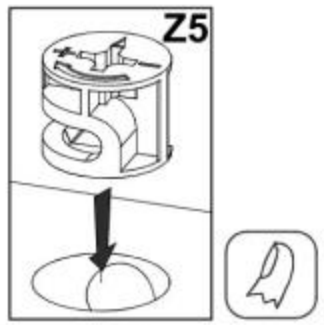
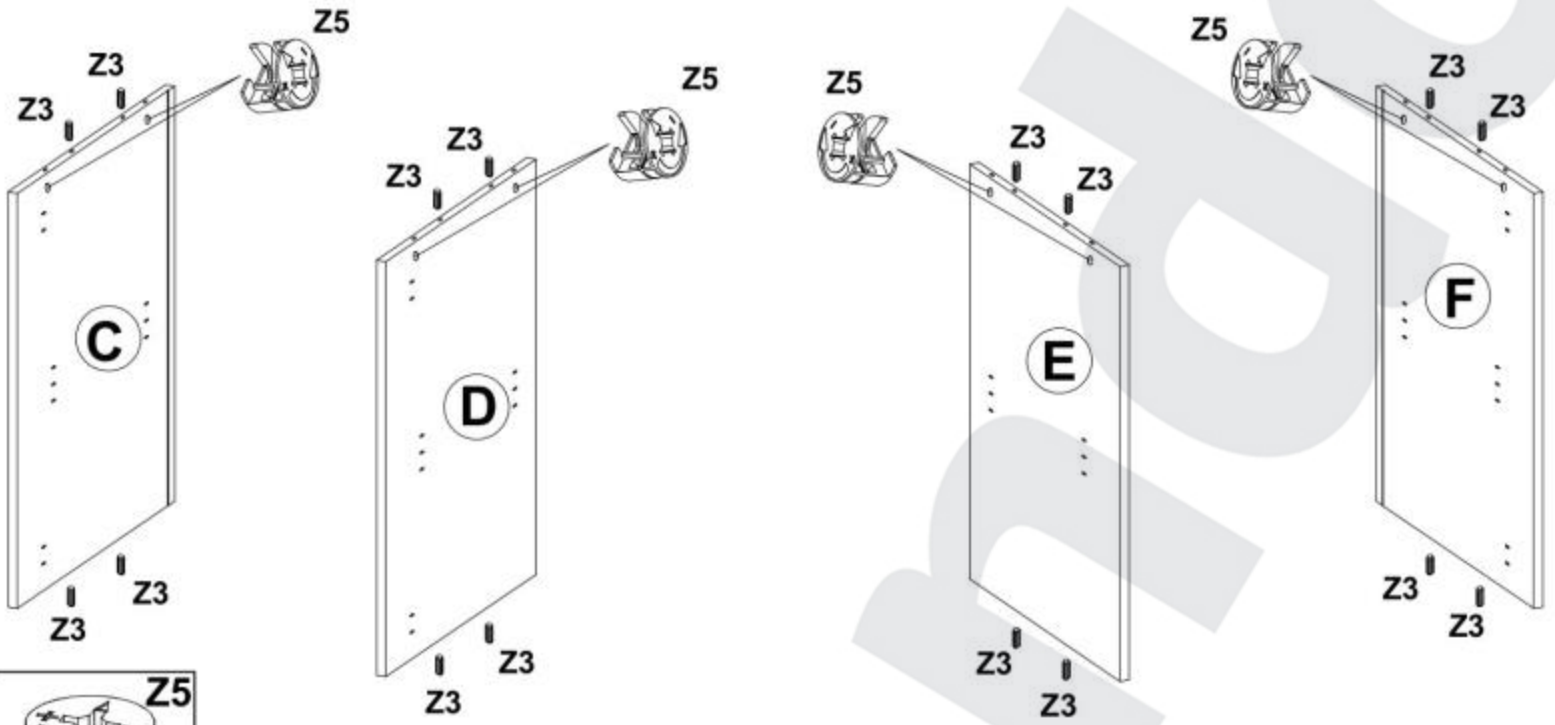
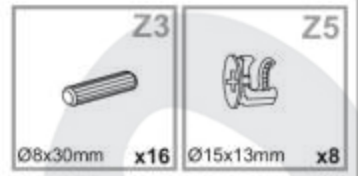
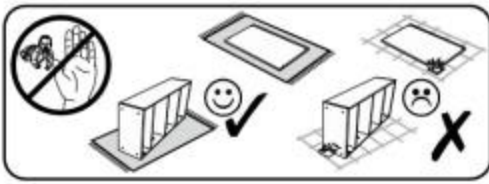


# 2

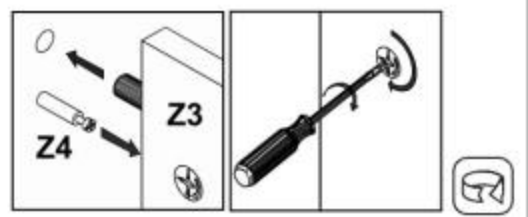
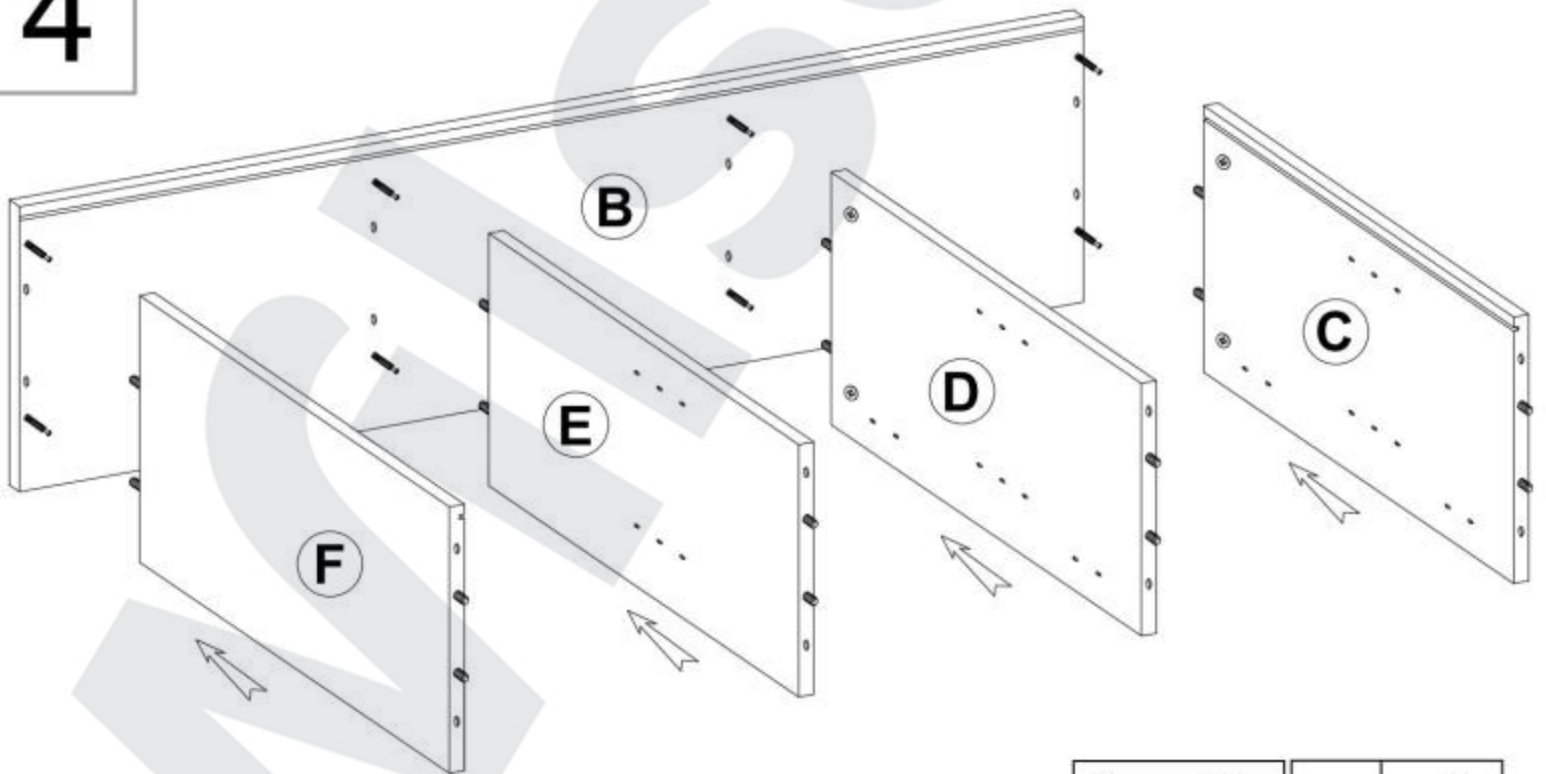




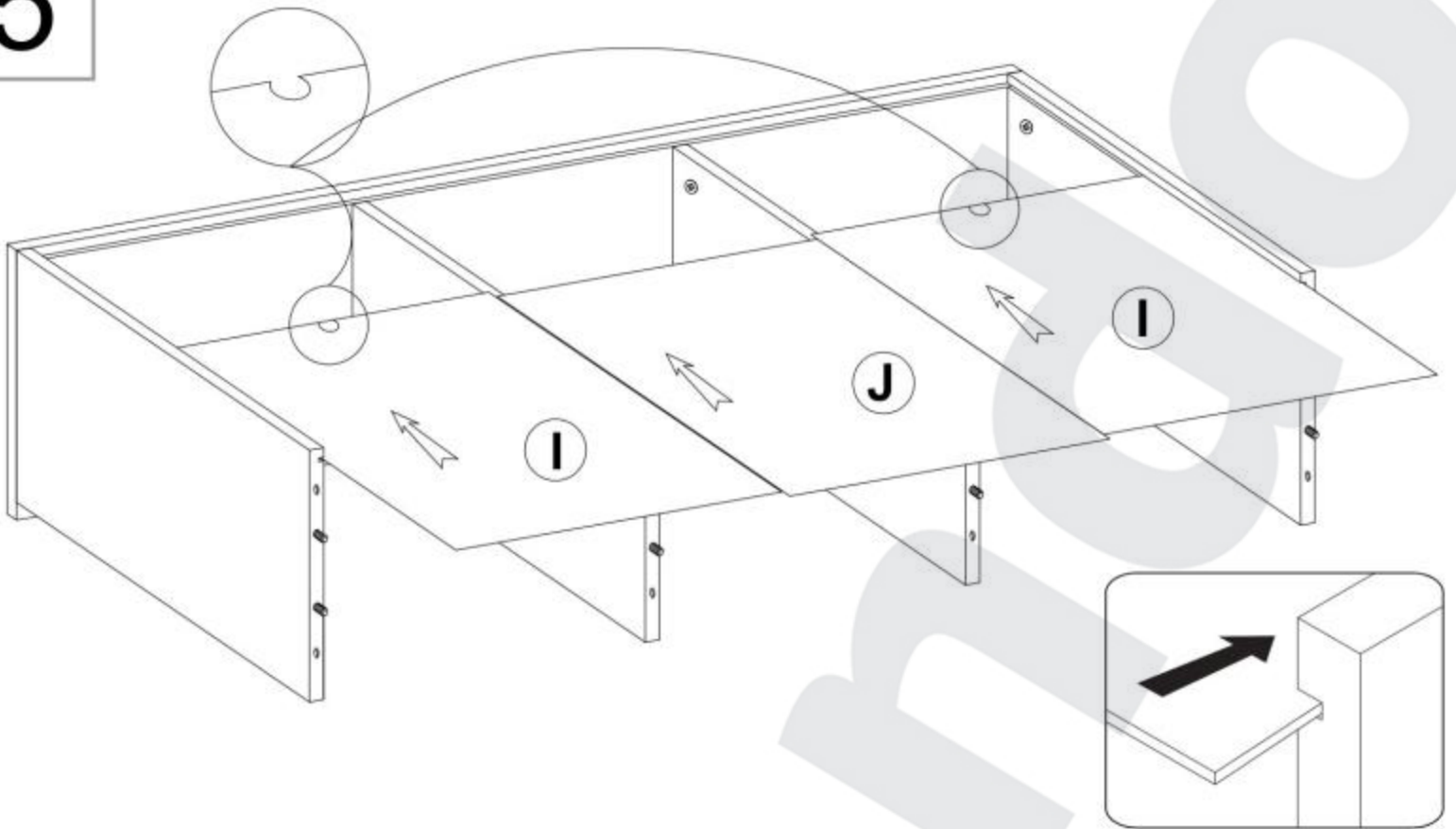
# 3



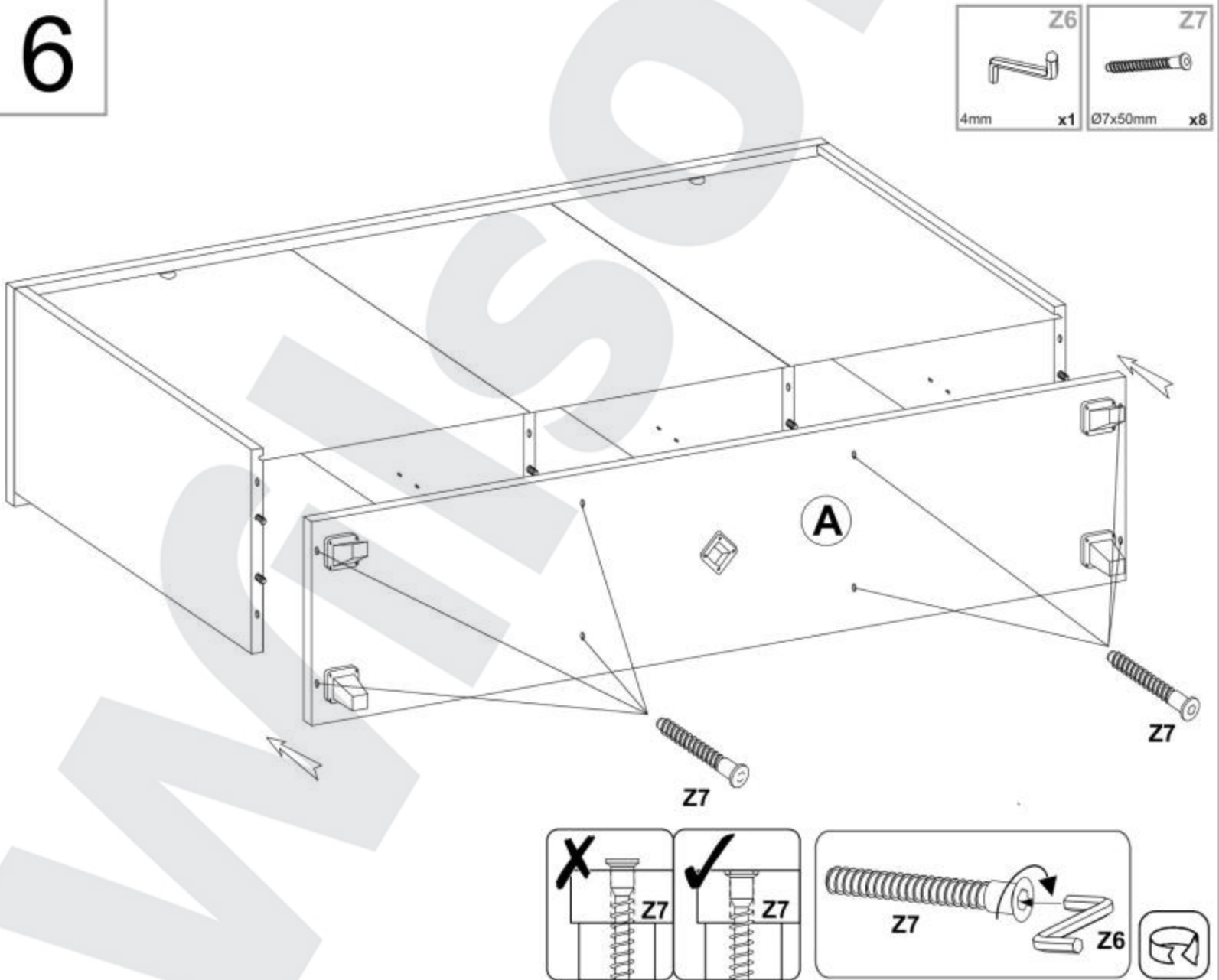
# 4



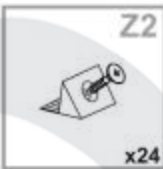
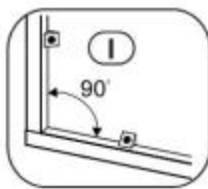
5



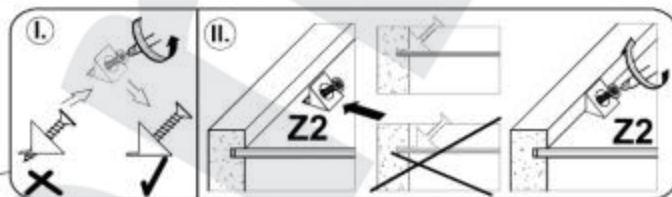
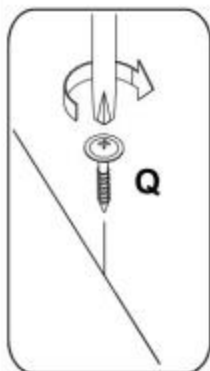
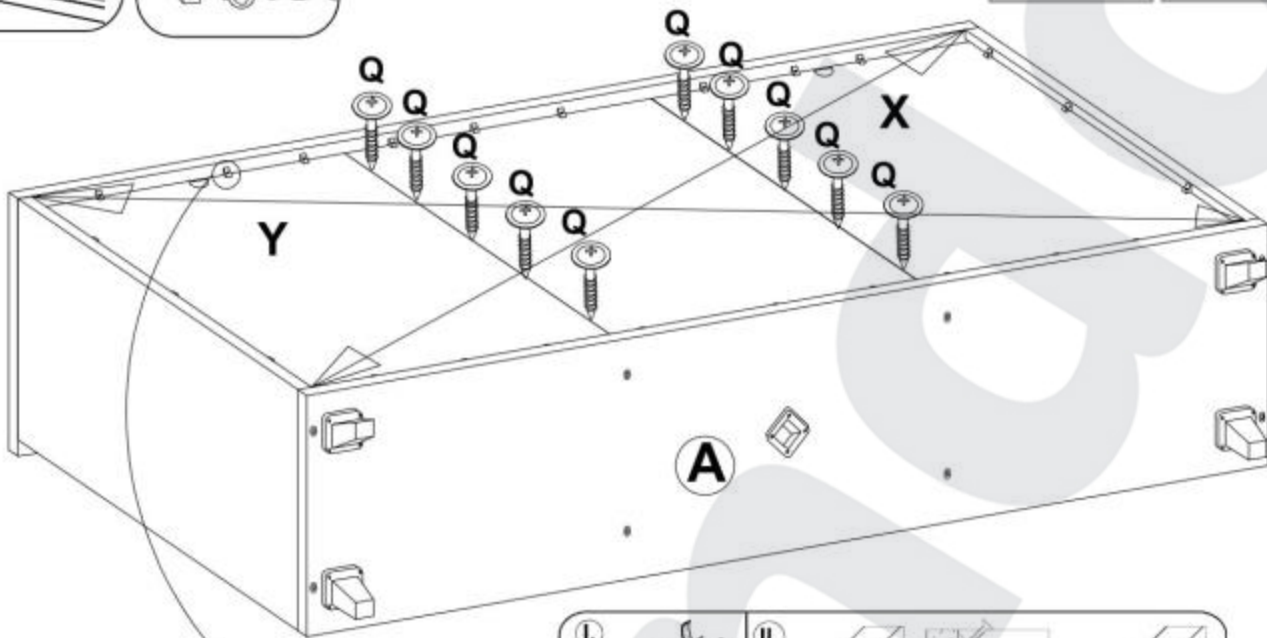
6



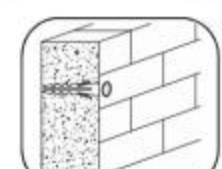
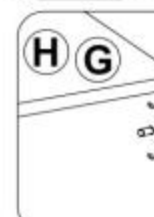
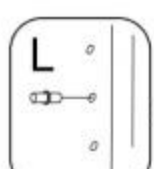
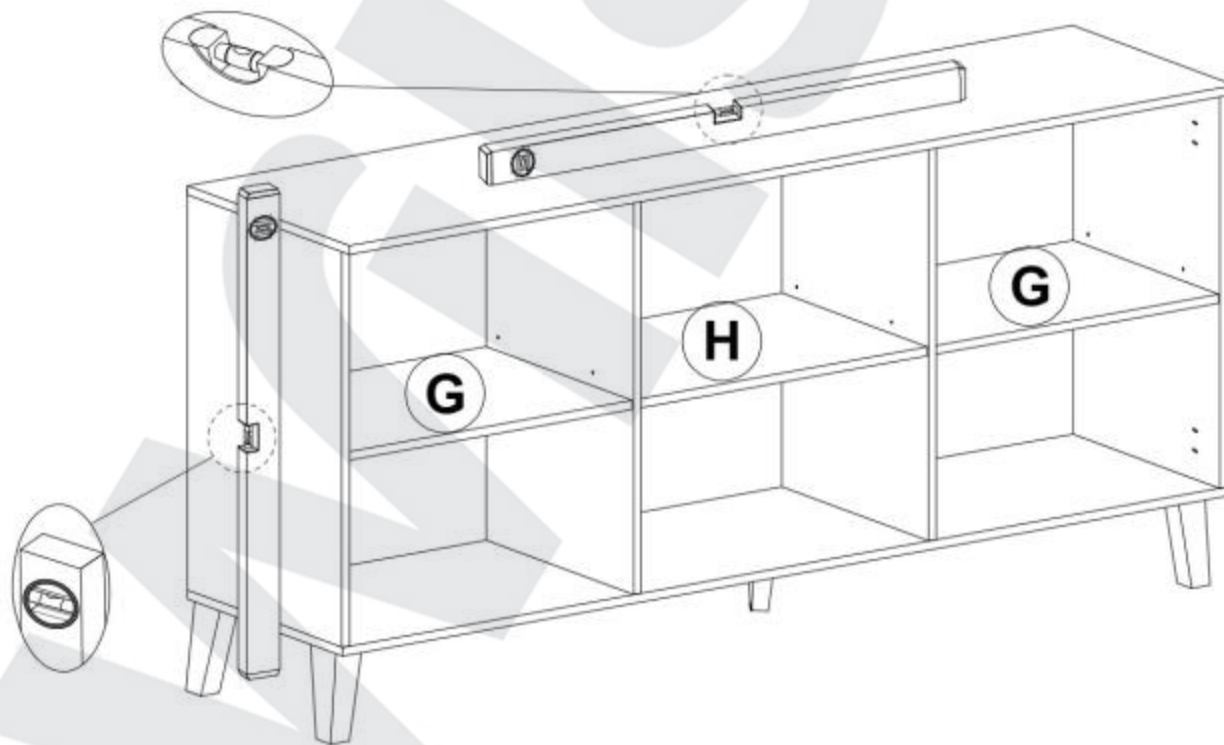
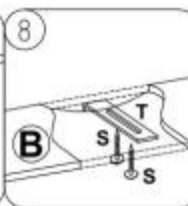
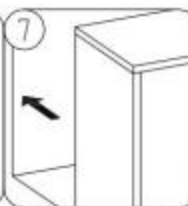
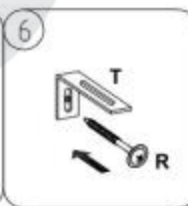
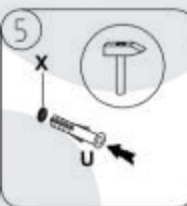
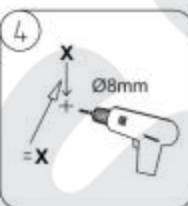
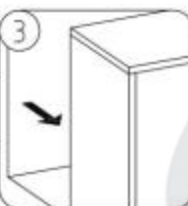
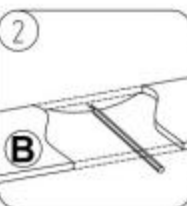
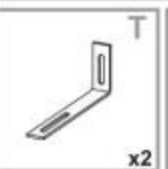
# 7



X = Y



# 8

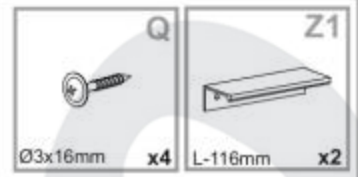




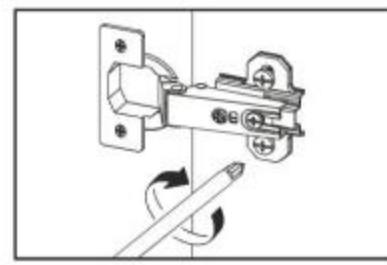
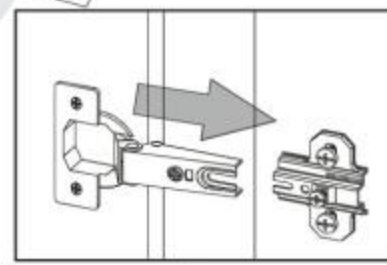
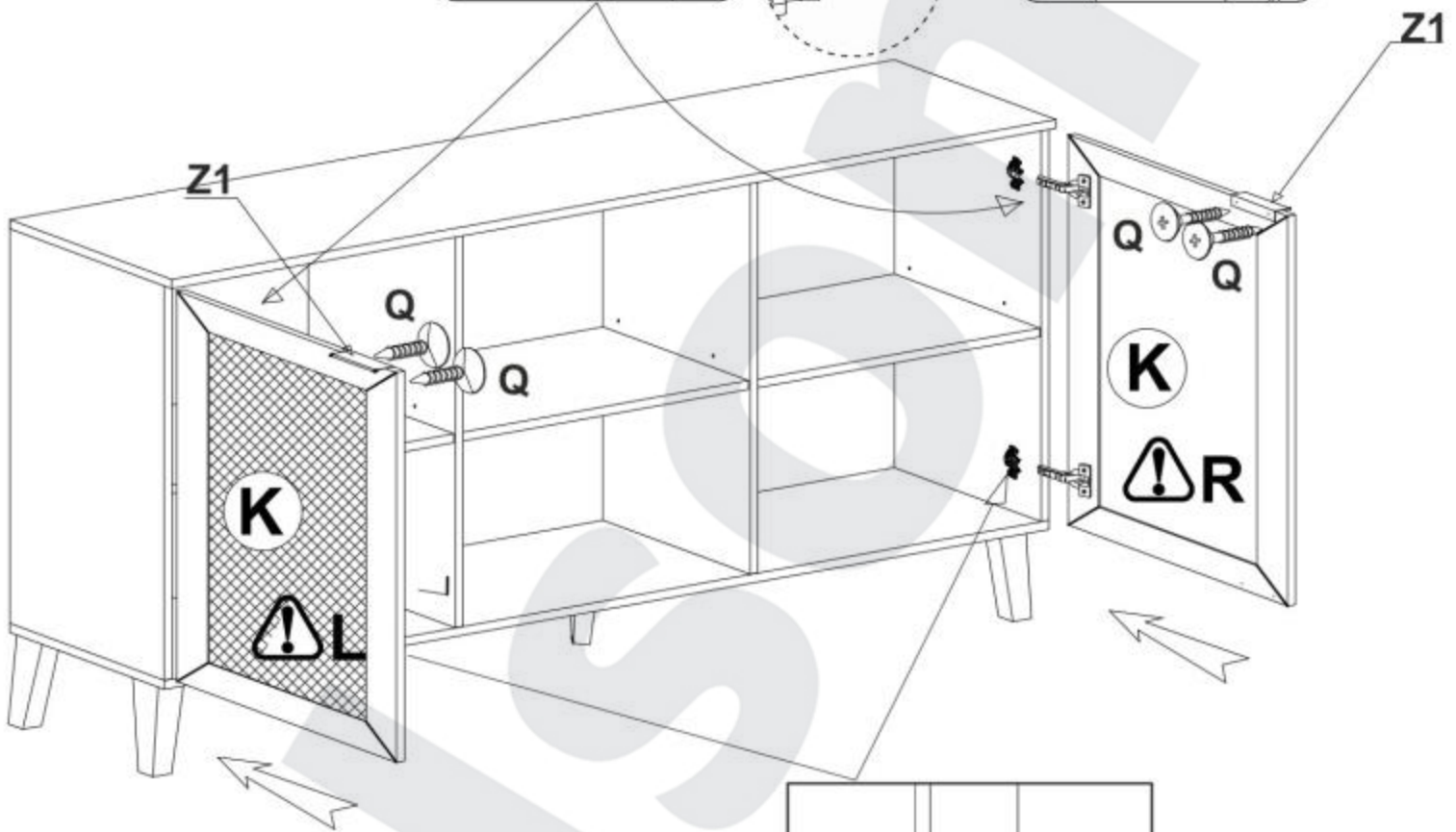
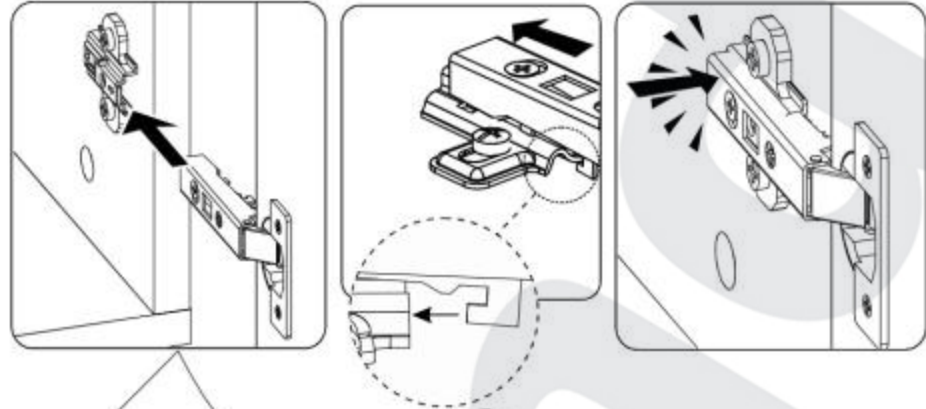




# 10






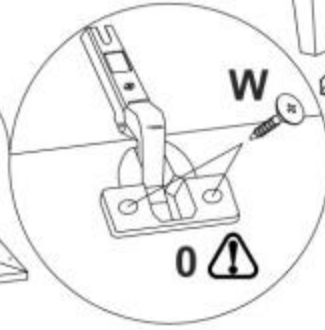
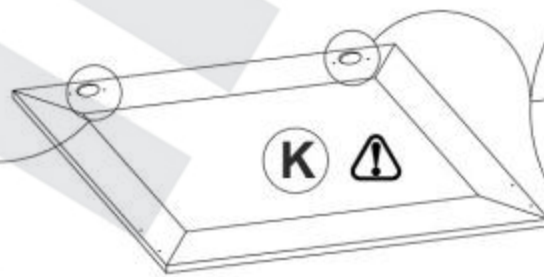
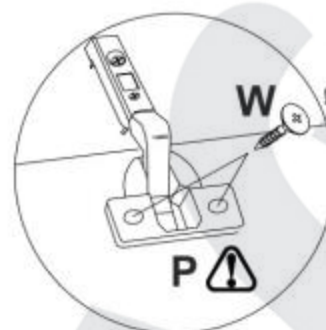
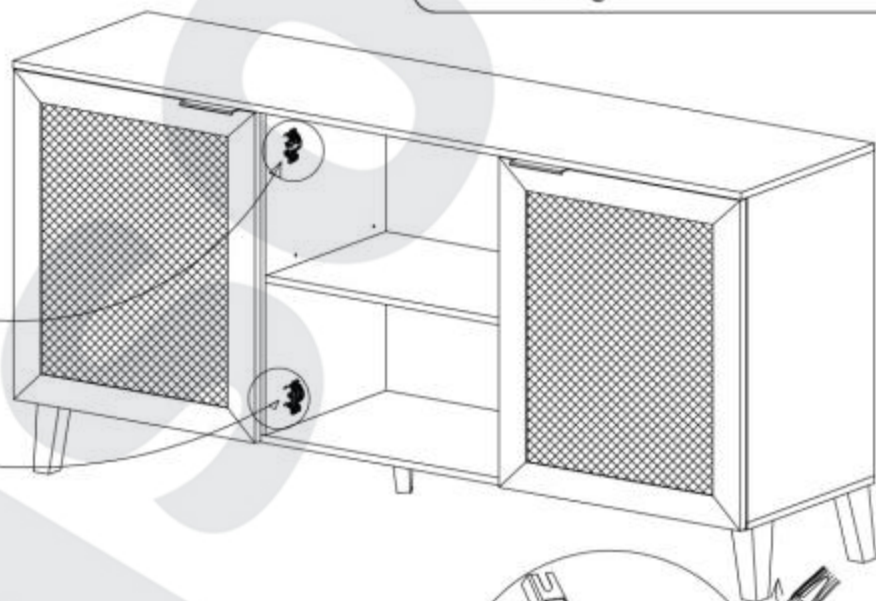
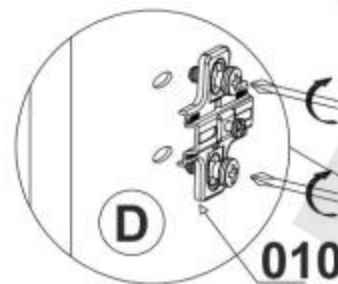
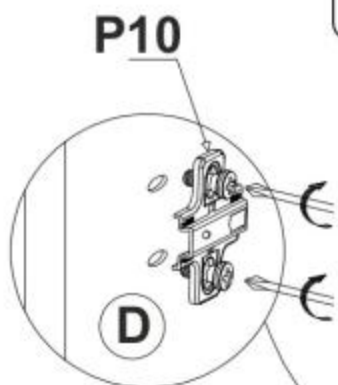
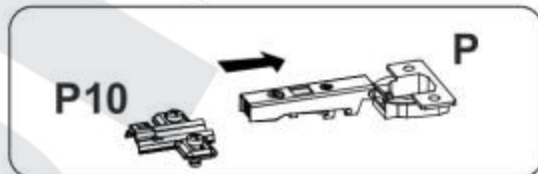
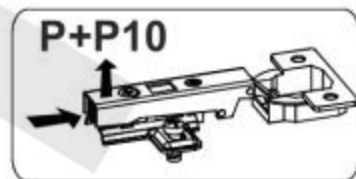
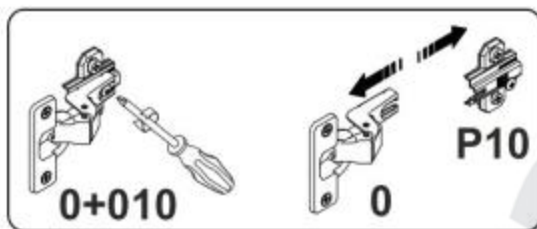
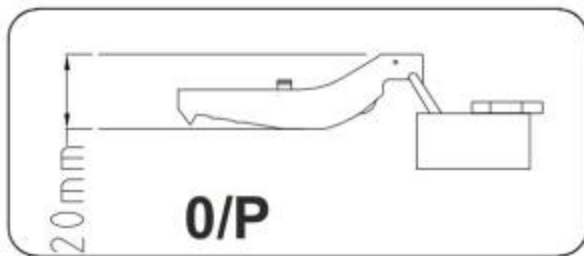
## N+N10



## M+M10






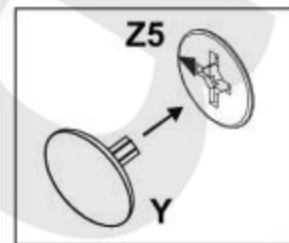
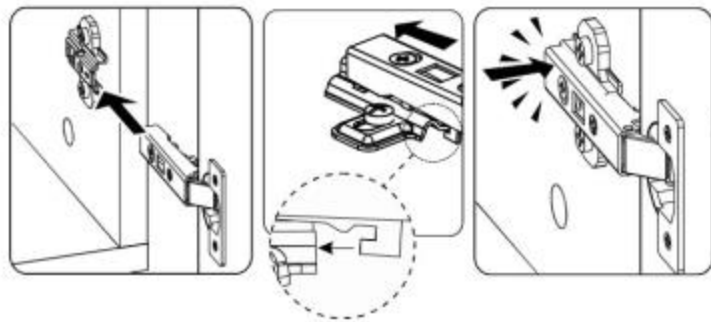
<p>W</p>  <p>Ø3,5x16mm x4</p>	<p>0+010</p>  <p>KR-8 x1</p>	<p>P+P10</p>  <p>KR-8 x1</p>
--	---	---



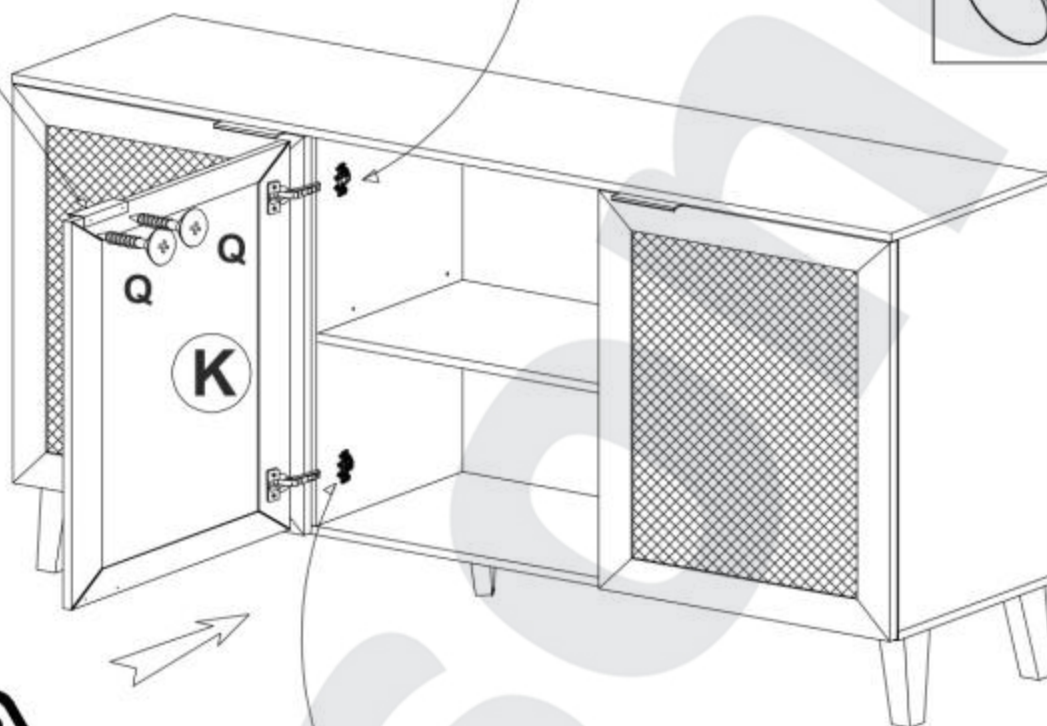


**P+P10**

	<b>Q</b>		<b>Z1</b>		<b>Y</b>
Ø3x16mm	x2	L-116mm	x1	Ø18mm	x8



**Z1**



**0+010**

