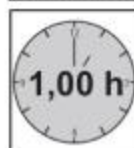
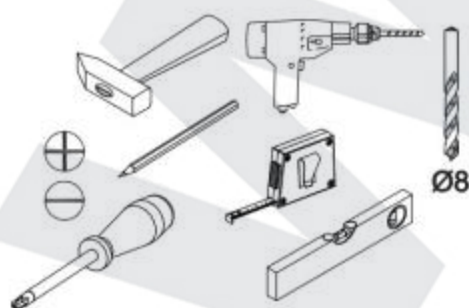
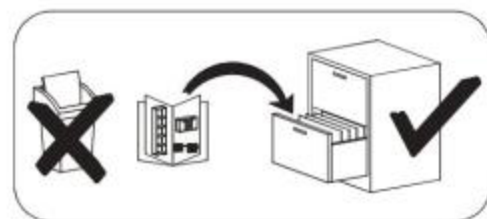
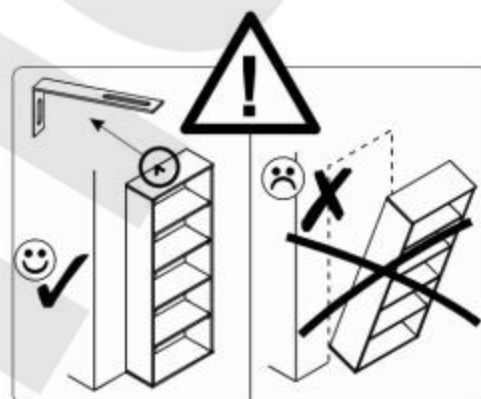
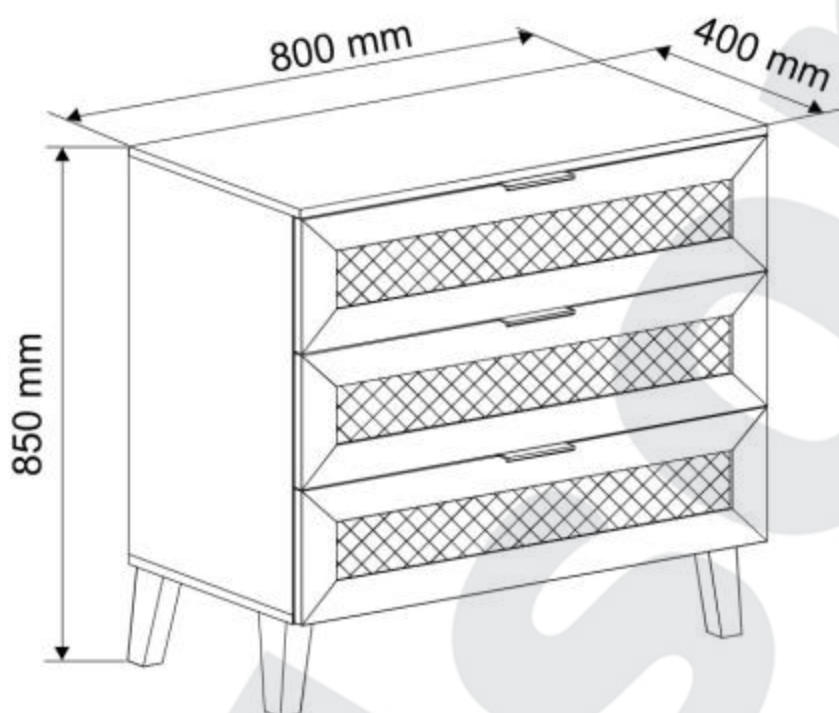
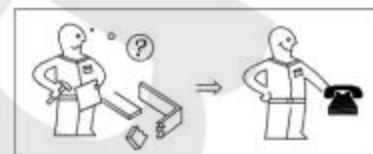
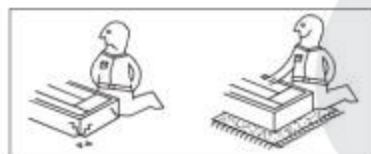
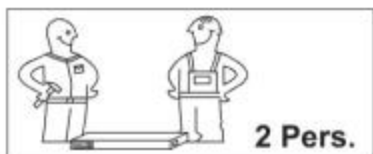
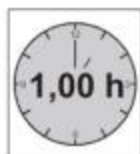


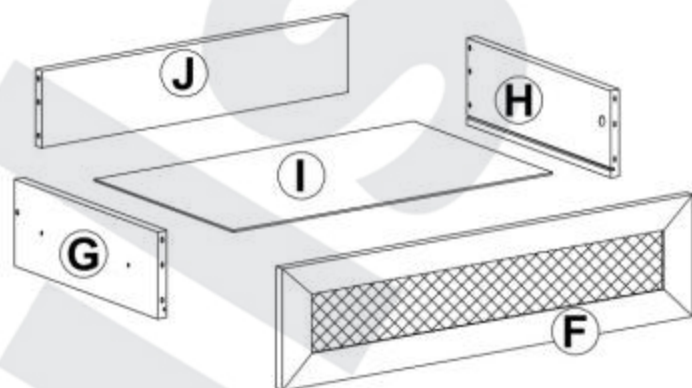
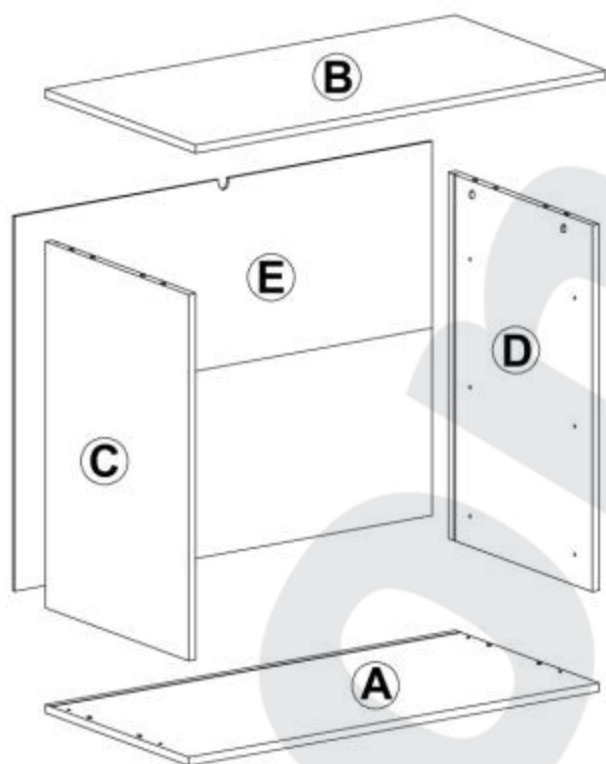
BORNEO

KM-2



BORNEO

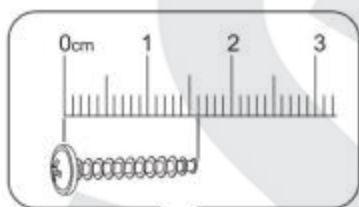
KM-2



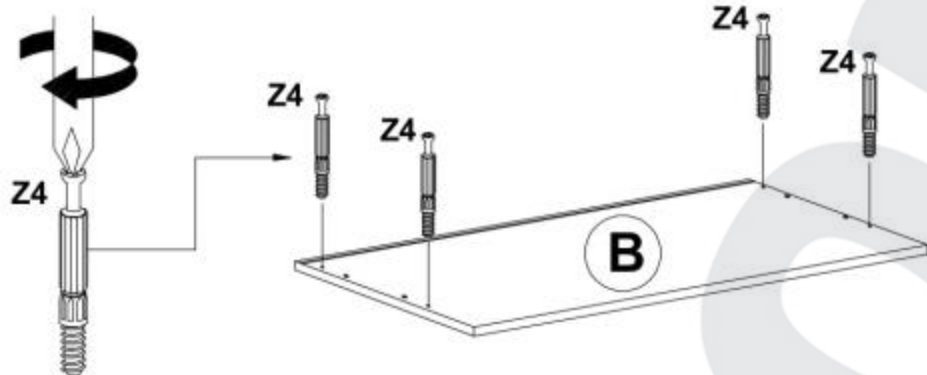
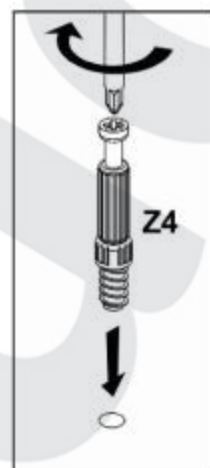
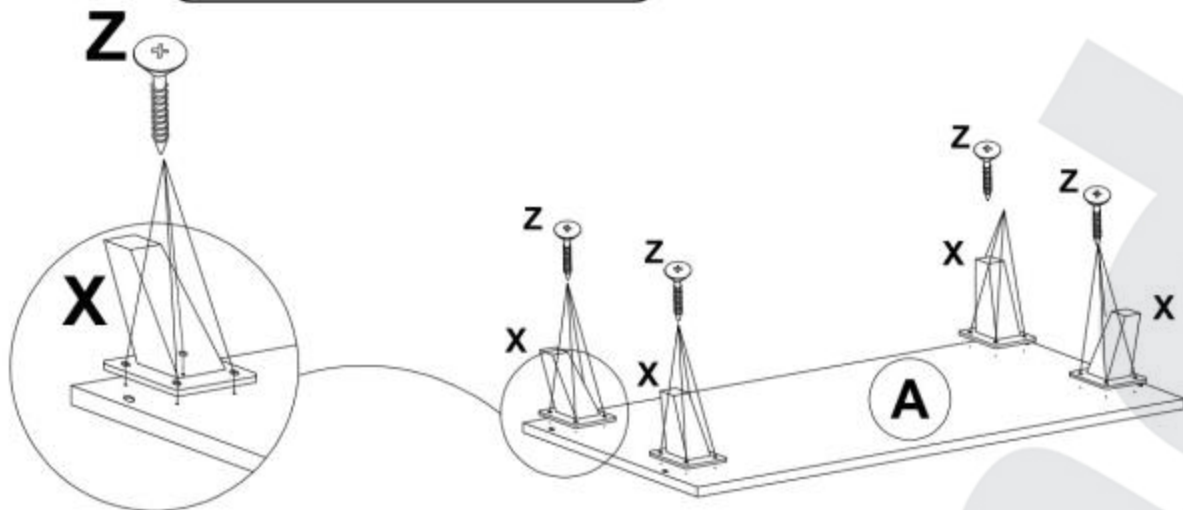
BORNEO

KM-2

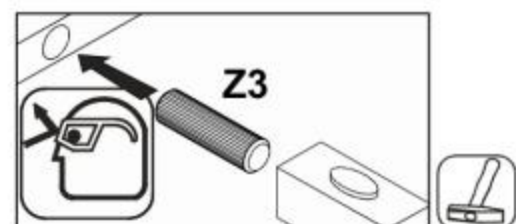
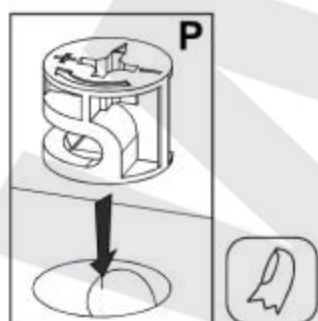
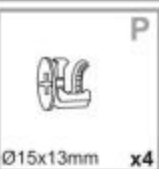
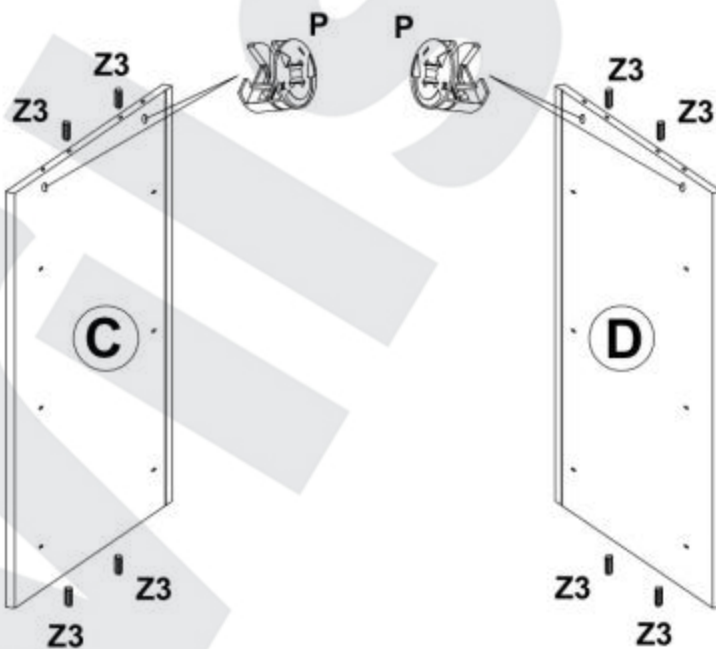
 4mm x1	 Ø3,5x20mm x16	 Ø5x13mm x24	 Ø15x13mm x10	 H45 - L=350mm x3	
 Ø3x16mm x18	 Ø7x50mm x10	 Ø8x30mm x32	 x10	 L-116mm x3	 Ø18mm x10
 x1	 Ø8x40mm x1	 Ø3,5x13mm x6	 x16	 Ø4x40mm x1	 H-150mm x4
 L-350mm x3	 Ø4x16mm x2				



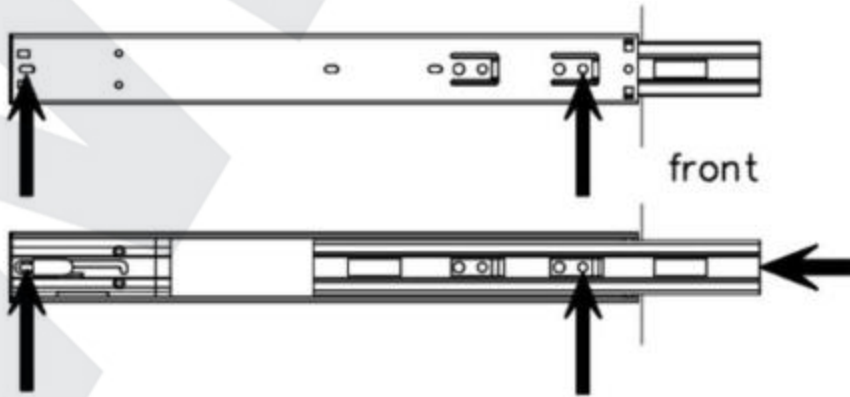
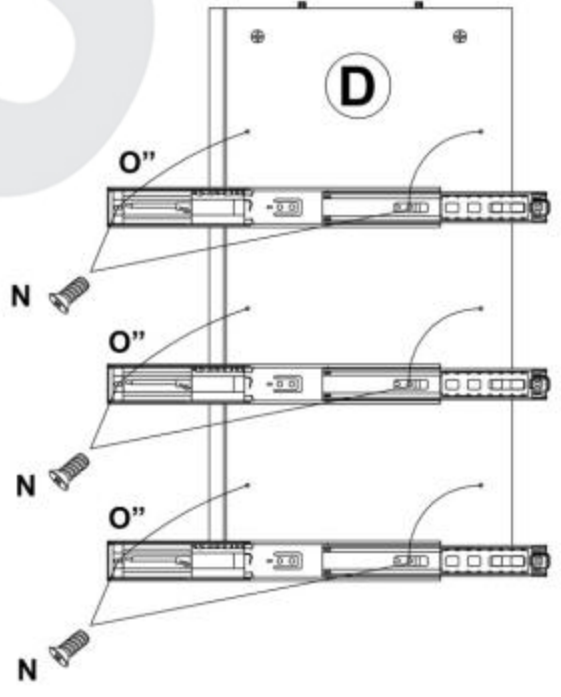
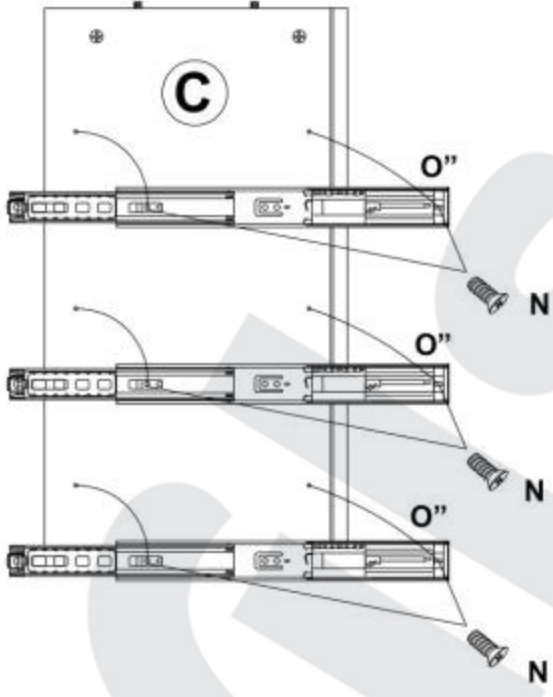
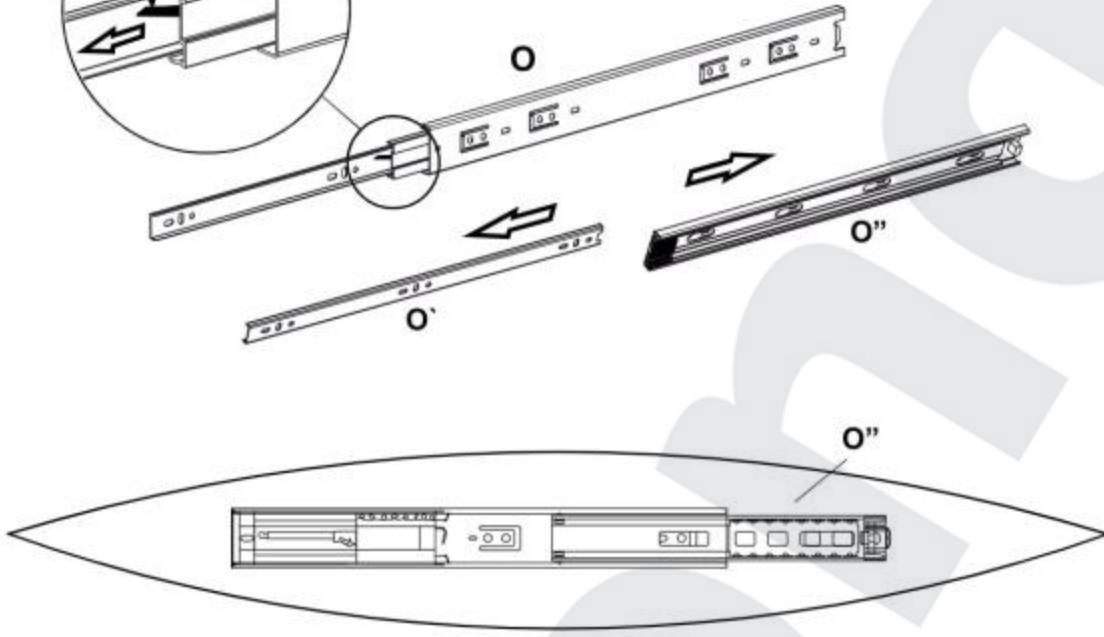
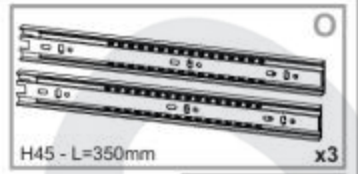
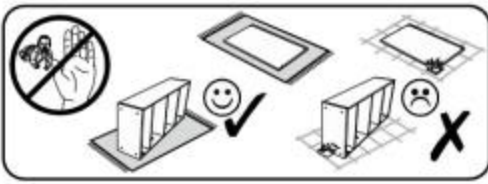
1



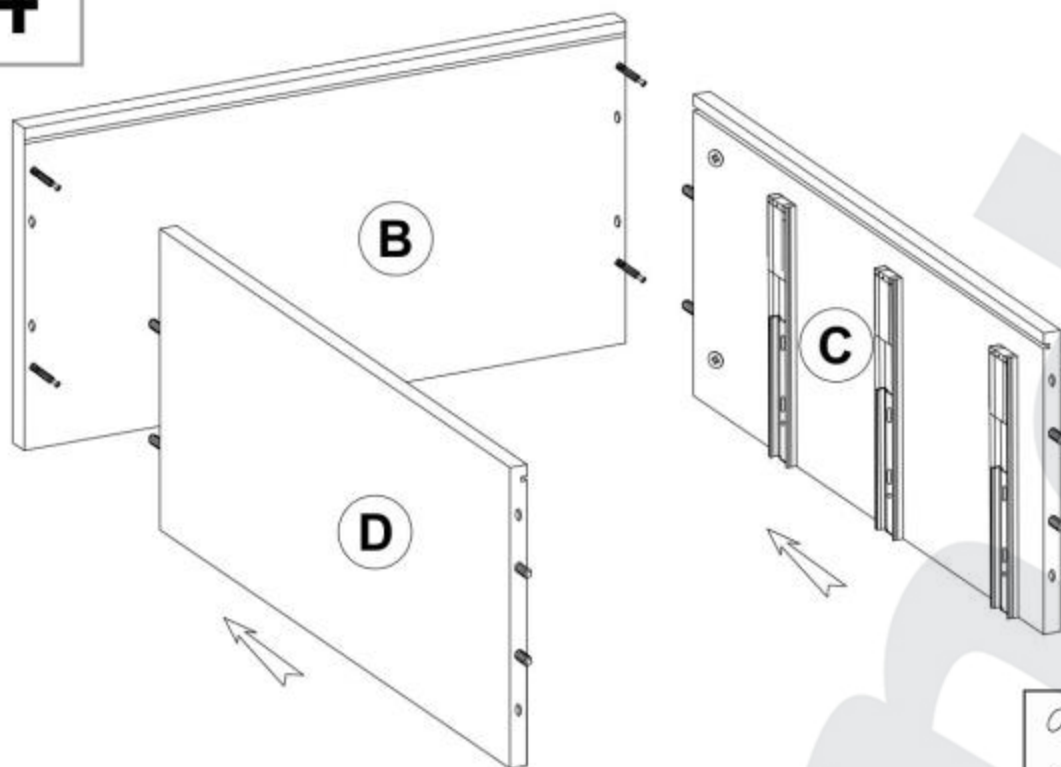
2



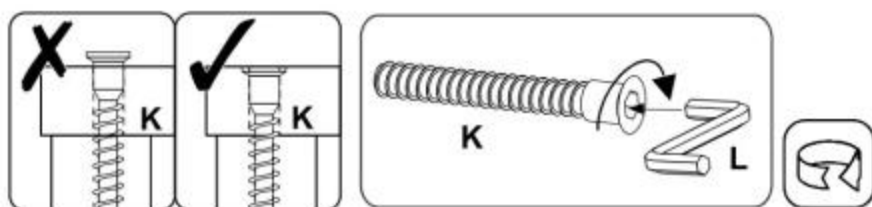
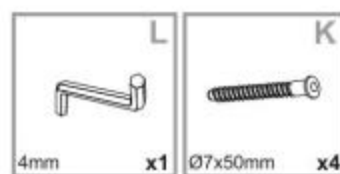
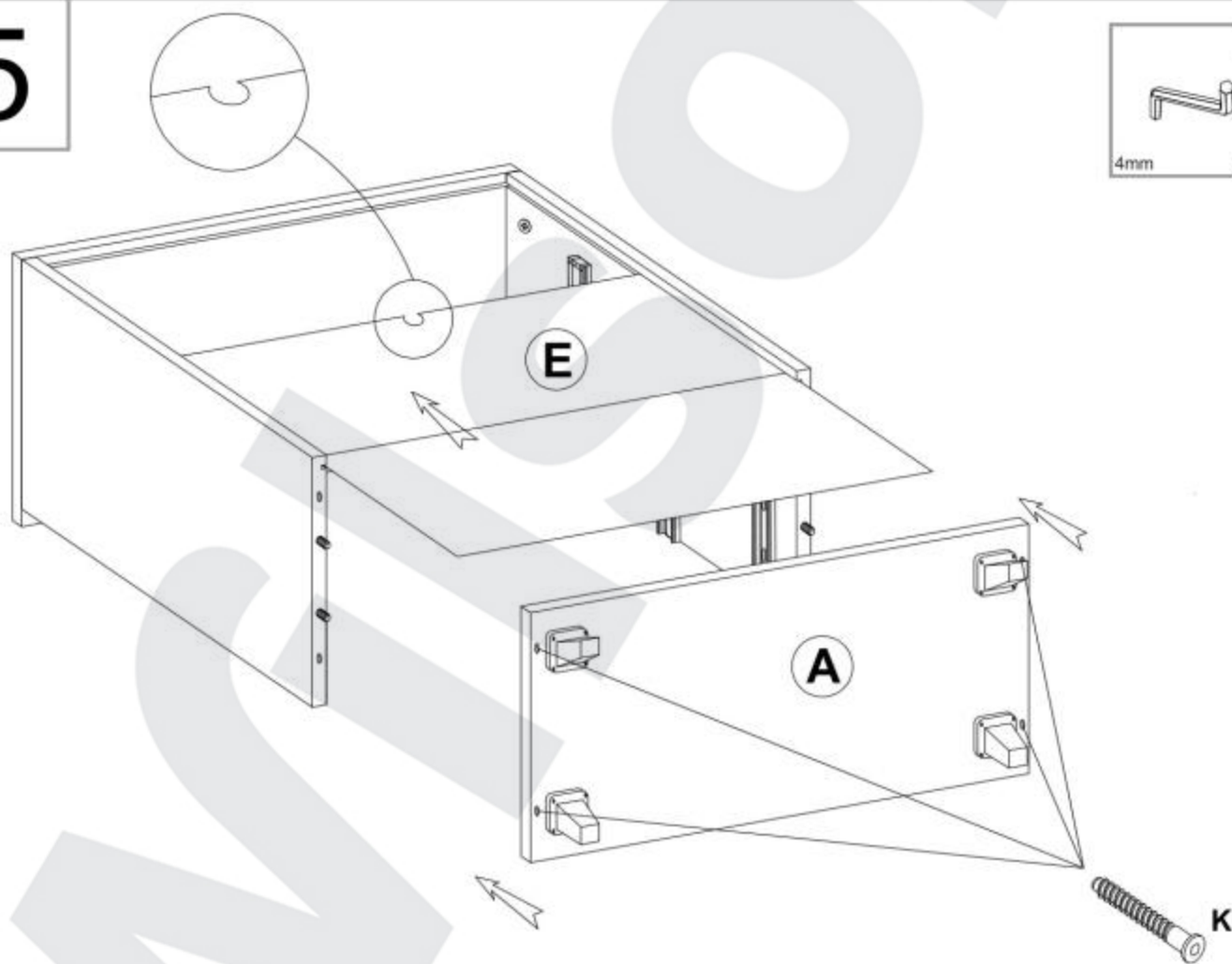
3



4



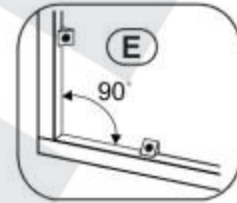
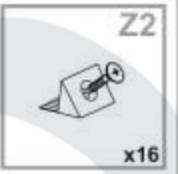
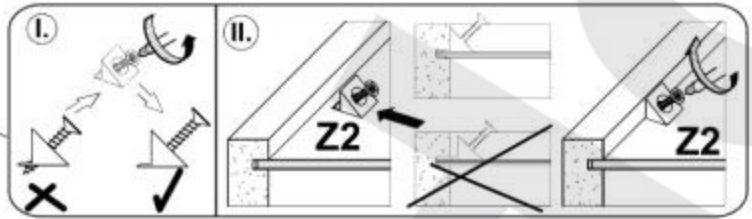
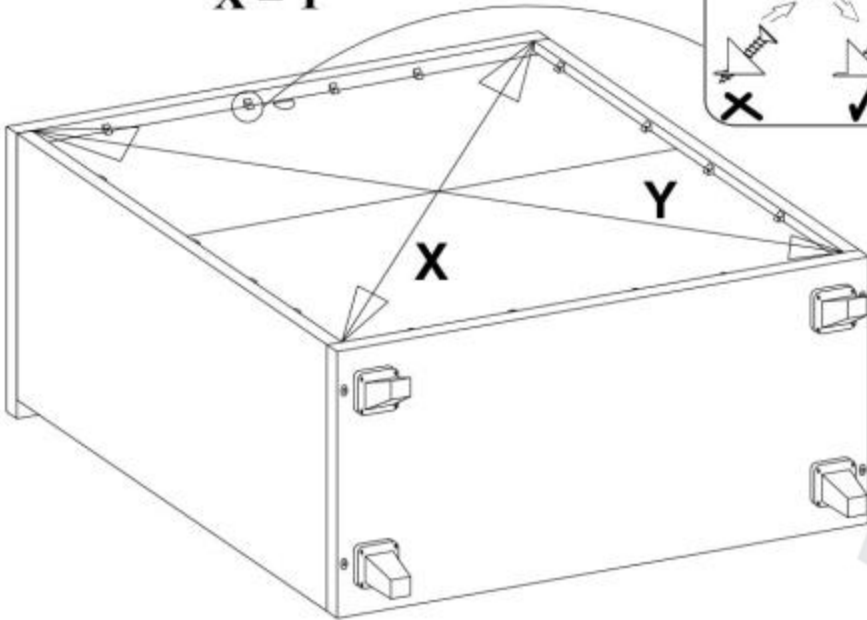
5



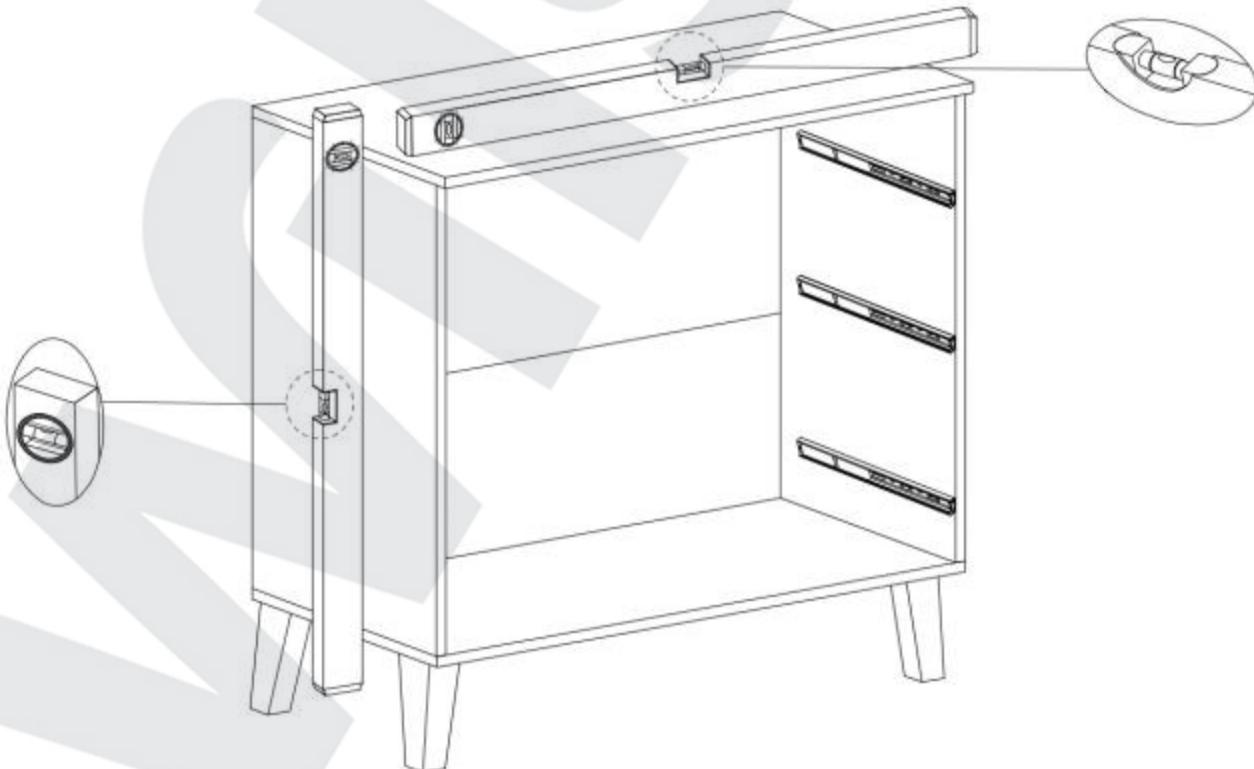
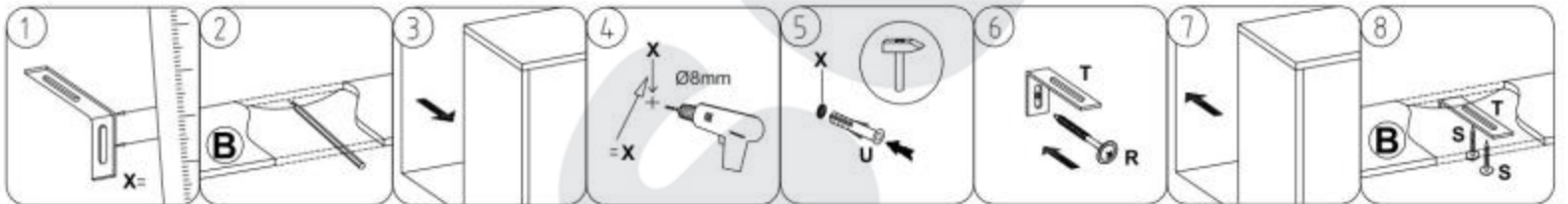
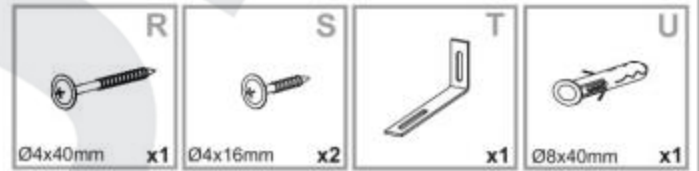
6



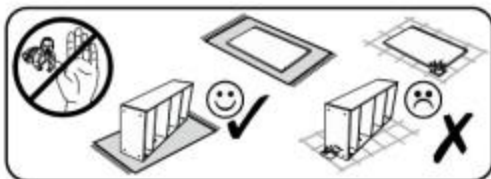
$X = Y$



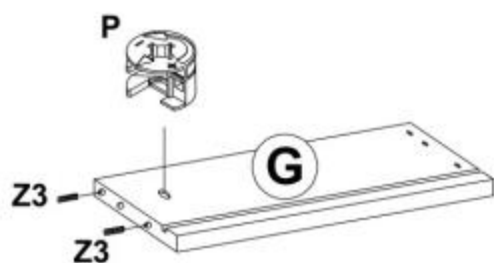
7



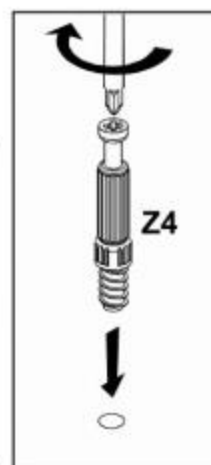
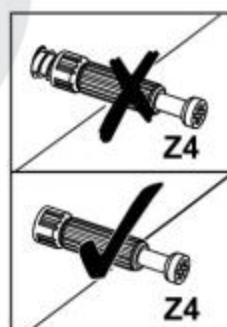
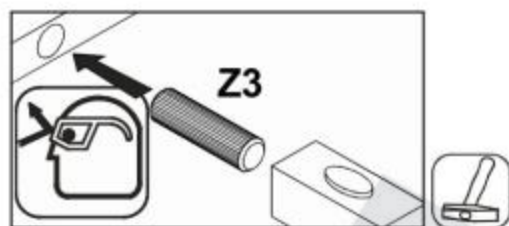
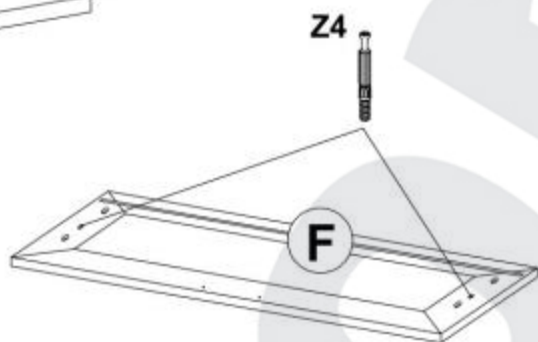
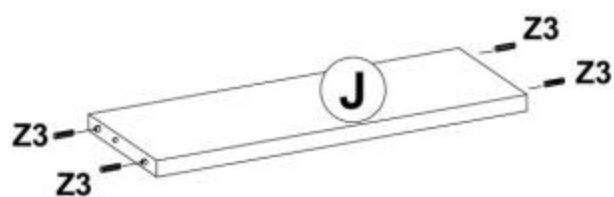
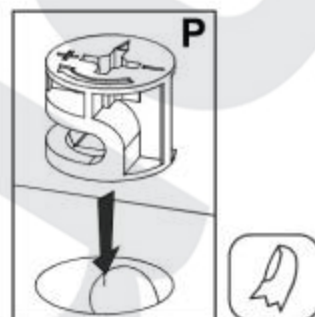
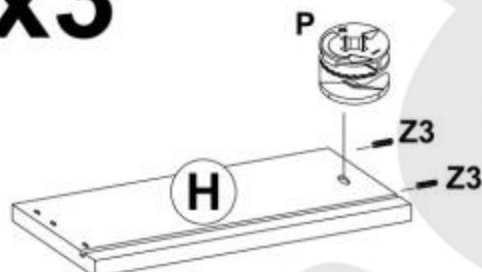
8



Z3 Ø8x30mm x24	Z4 x6	P Ø15x13mm x6
-----------------------	--------------	----------------------

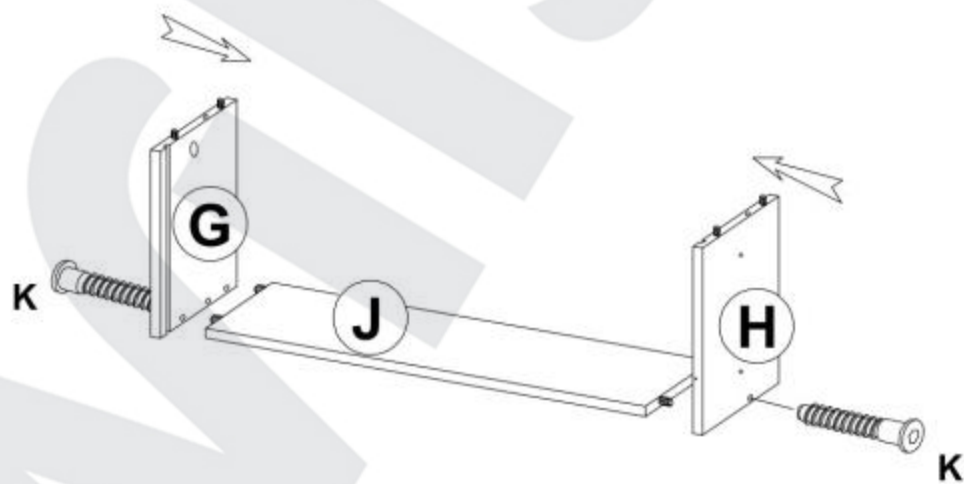


x3

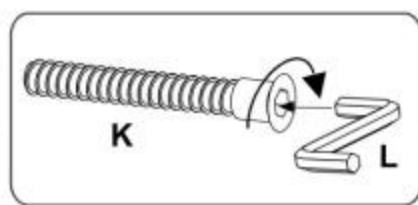
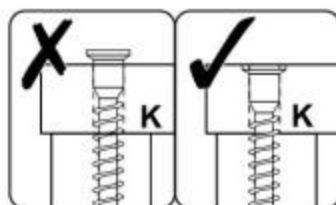


9

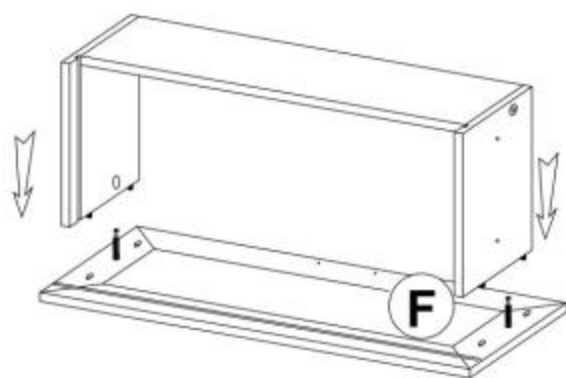
L 4mm x1	K Ø7x50mm x6
-----------------	---------------------



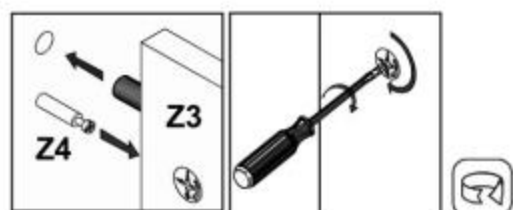
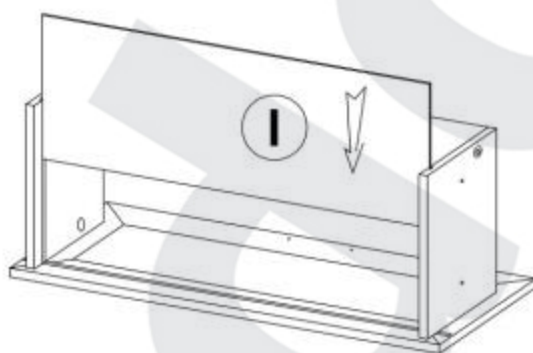
x3



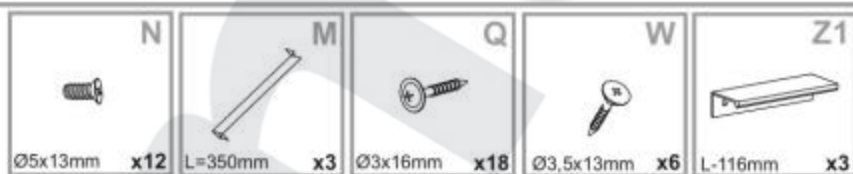
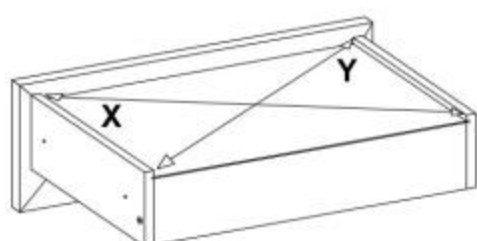
10



x3



11



X = Y



x3

