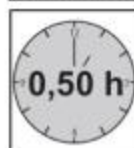
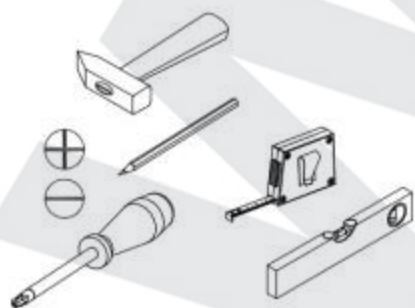
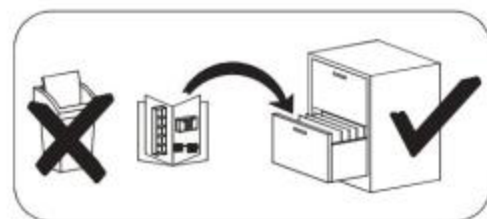
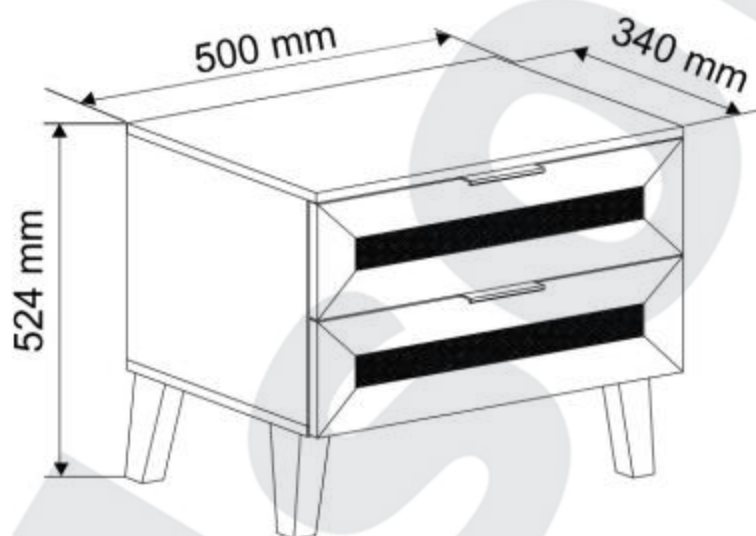
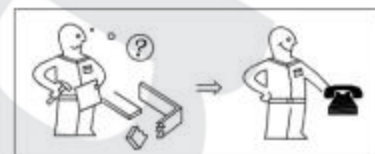
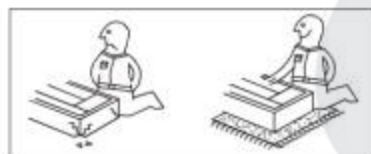
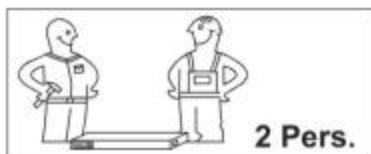
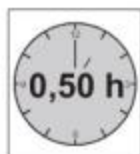


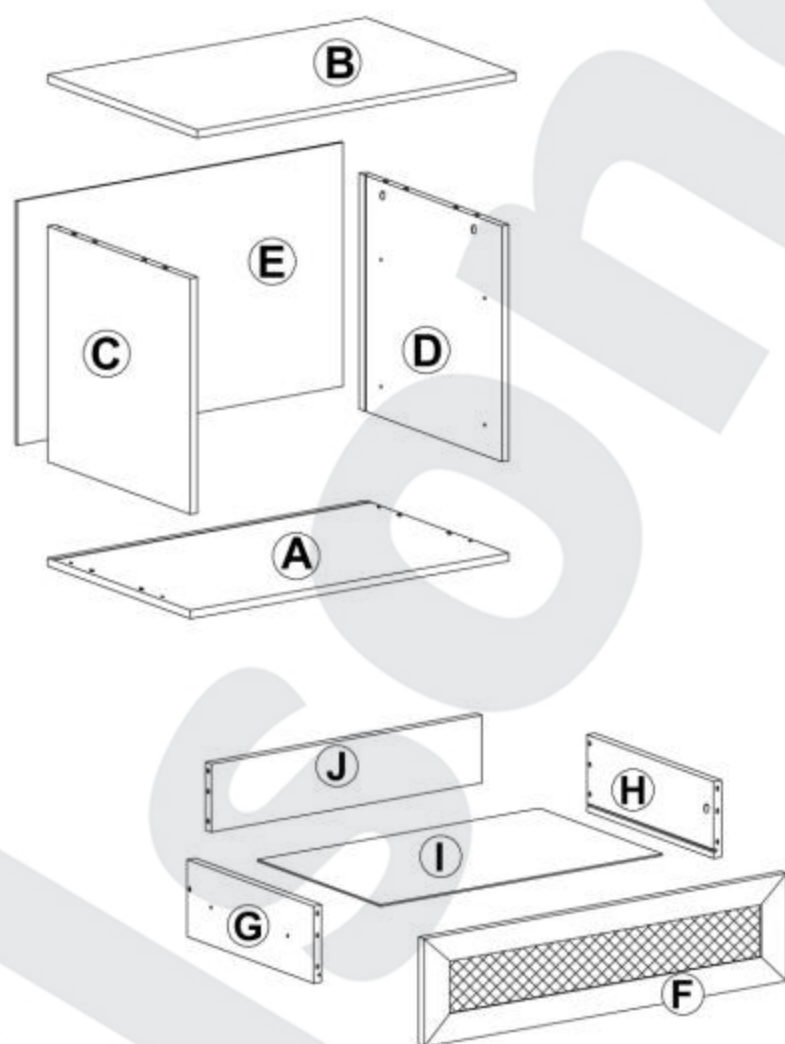
BORNEO

SN-1









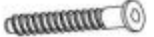






BORNEO

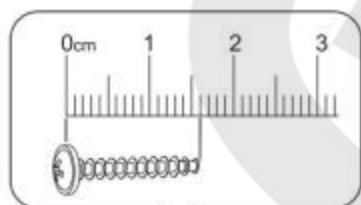
SN-1



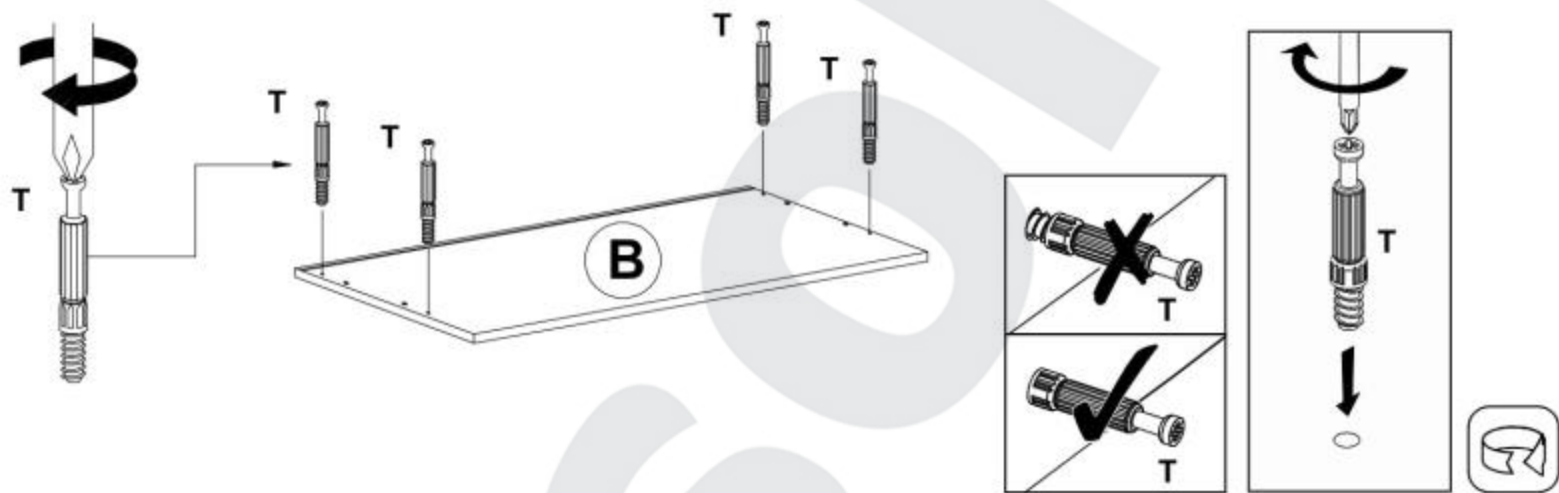
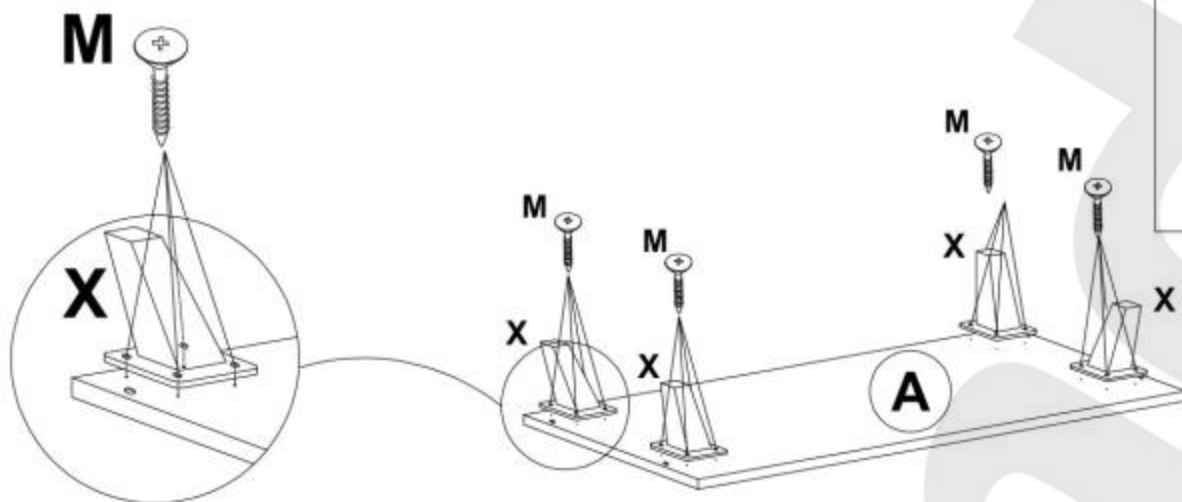
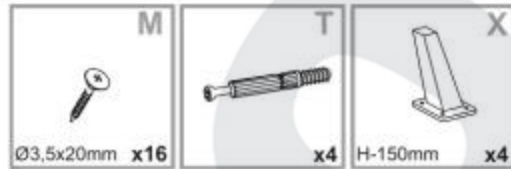
BORNEO

SN-1

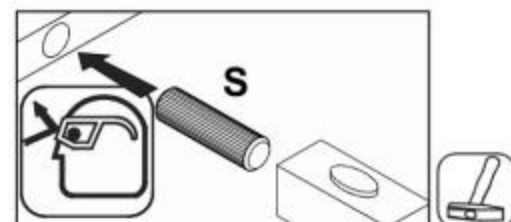
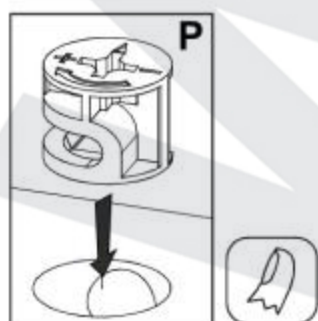
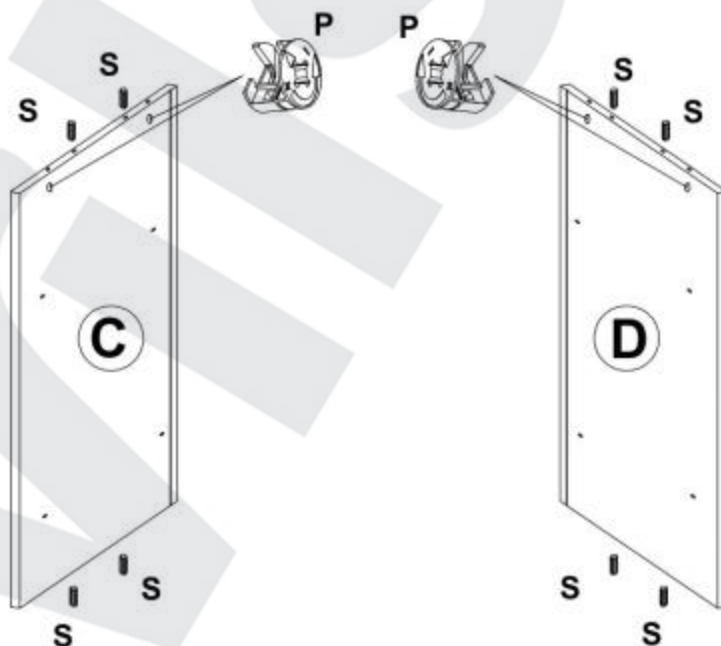
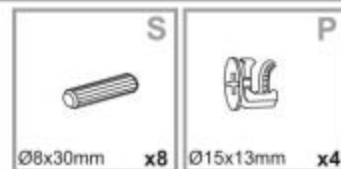
 4mm x1	 Ø3,5x20mm x16	 Ø5x13mm x16	 Ø15x13mm x8	 H45 - L=300mm x2	
 Ø3x16mm x10	 Ø7x50mm x8	 Ø8x30mm x24	 x8	 L-116mm x2	 Ø18mm x8
				 x10	 H-150mm x4



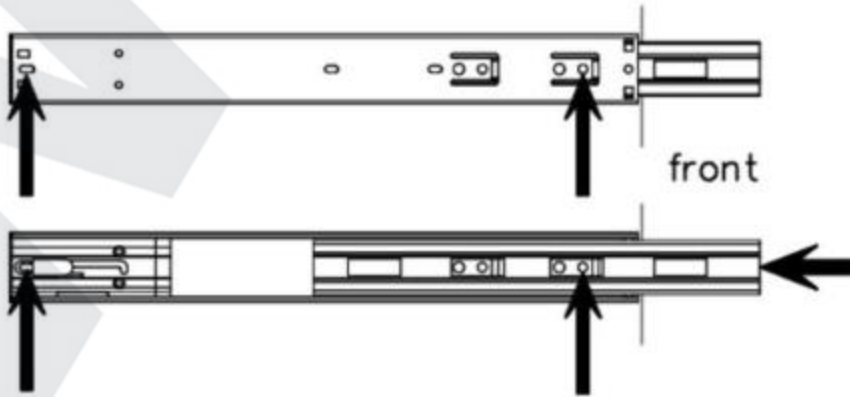
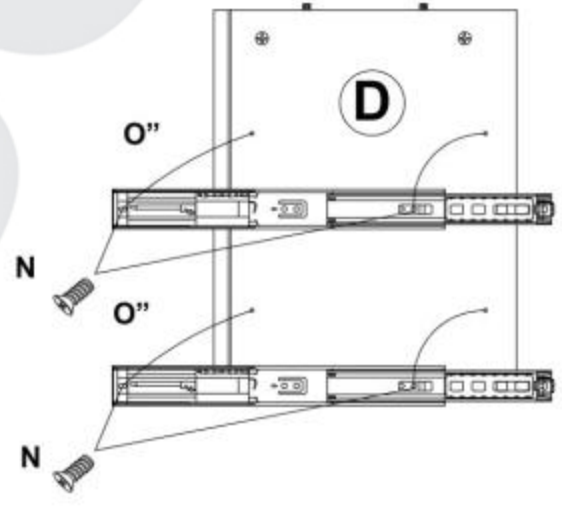
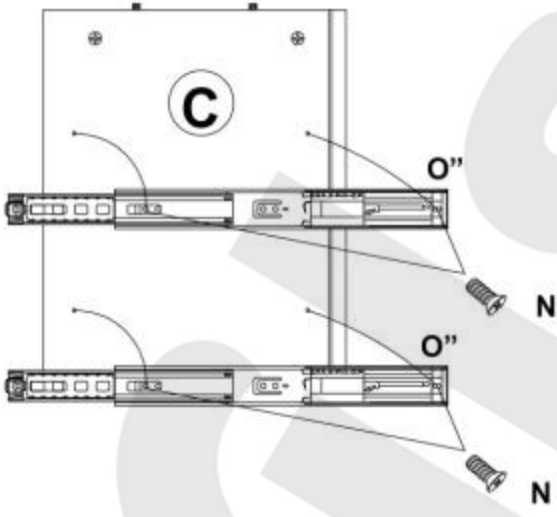
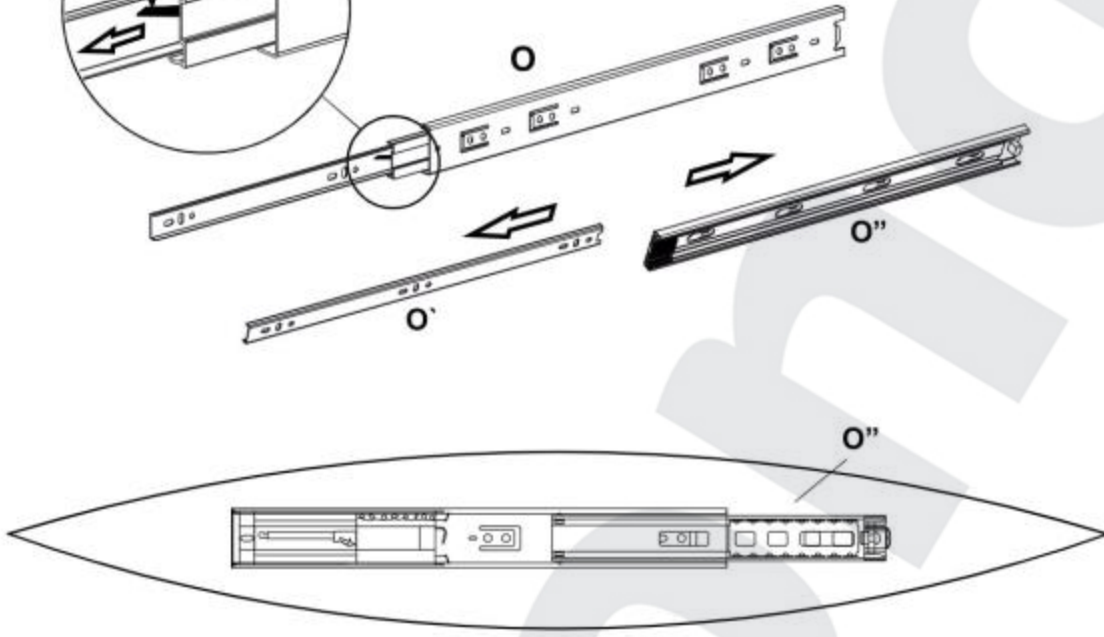
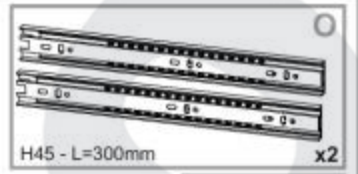
1



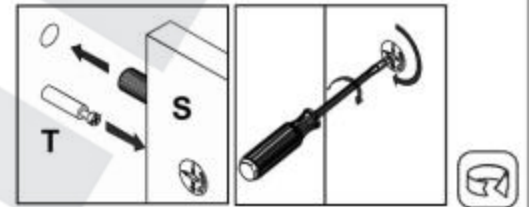
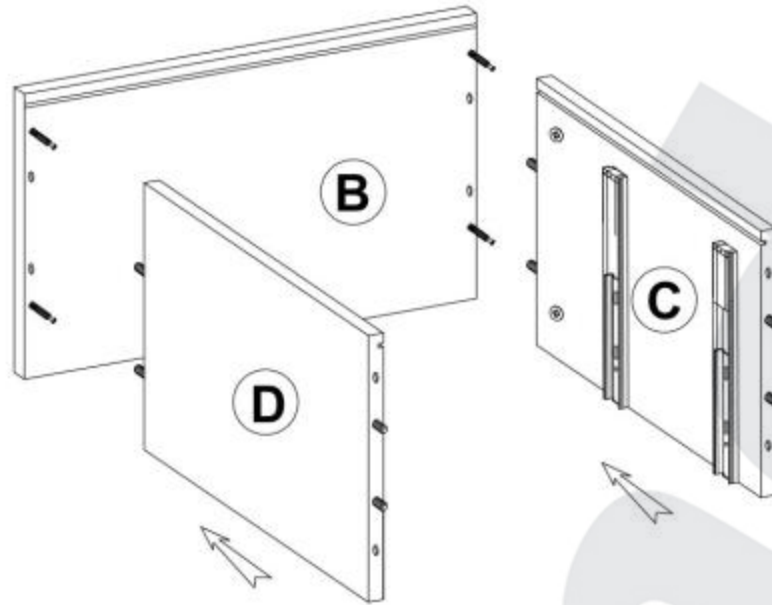
2



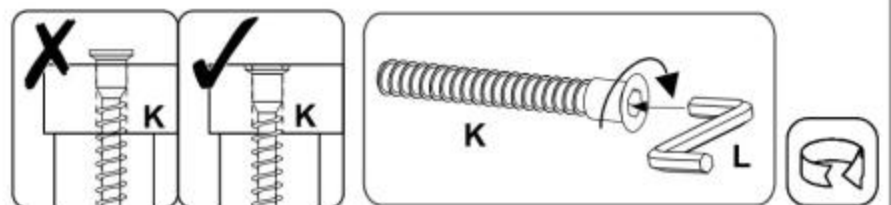
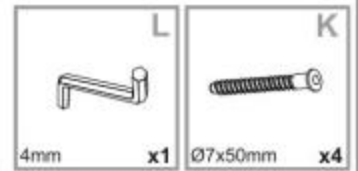
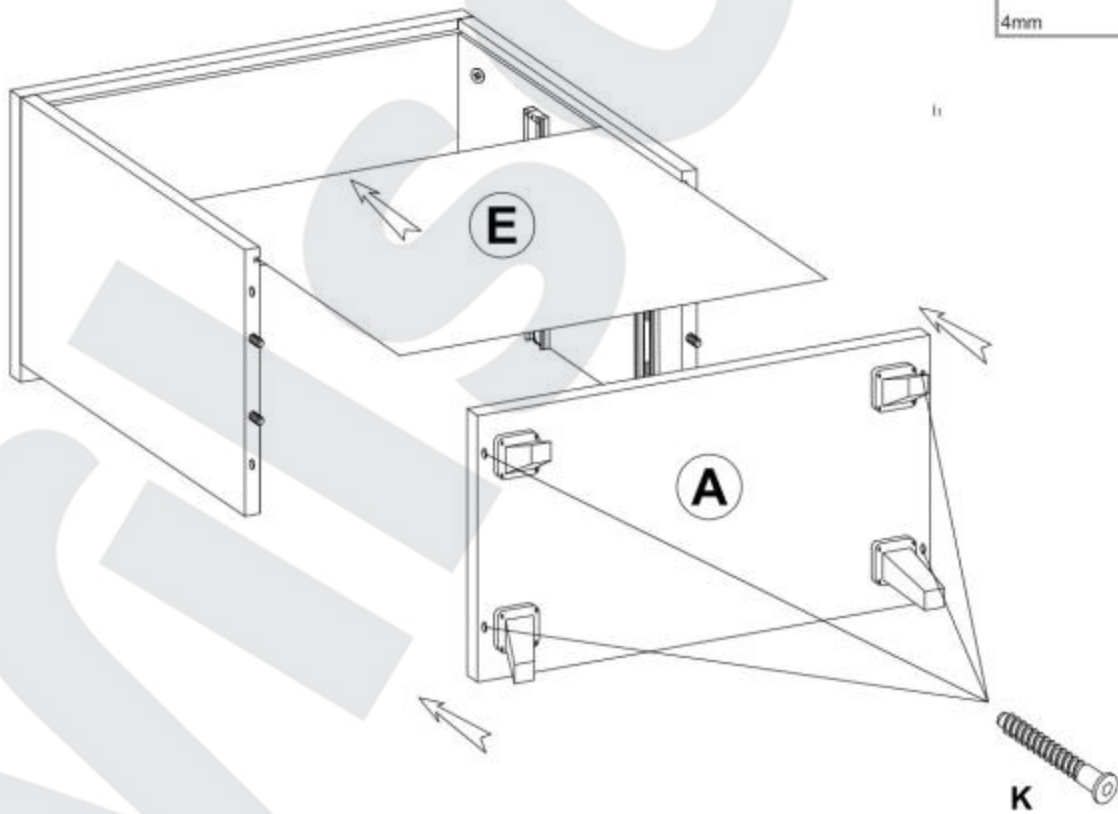
3



4



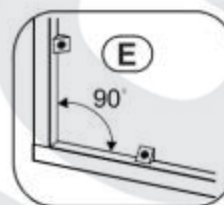
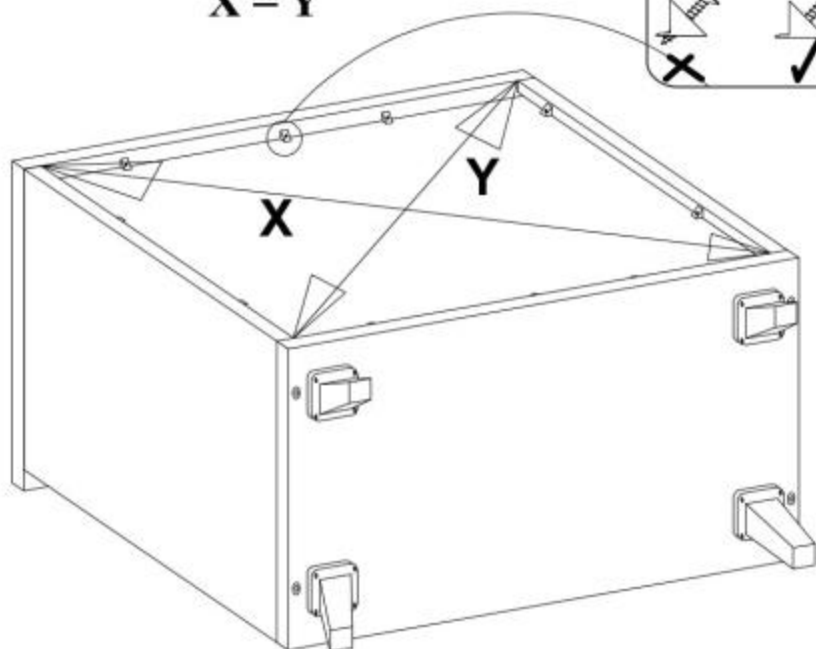
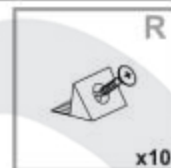
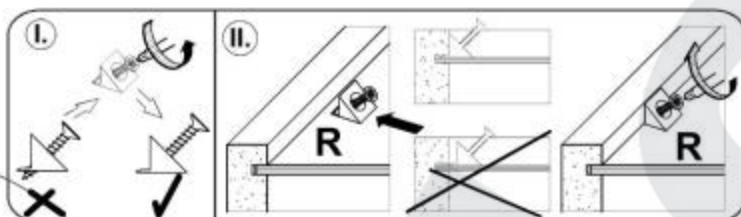
5



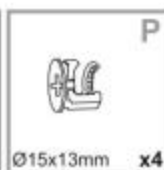
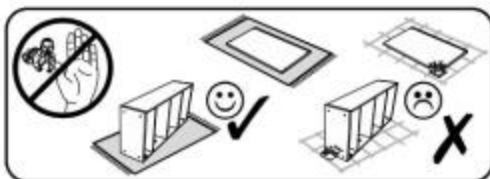
6



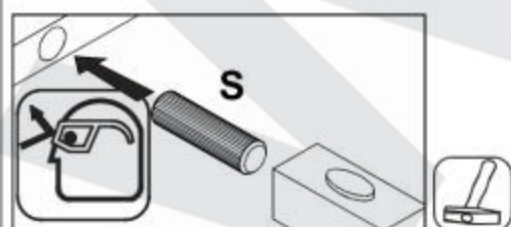
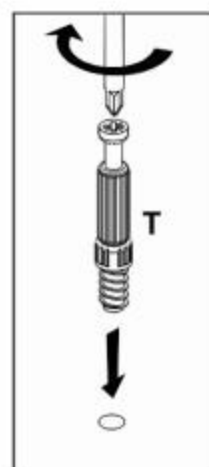
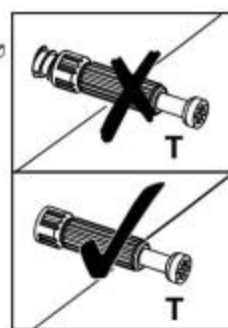
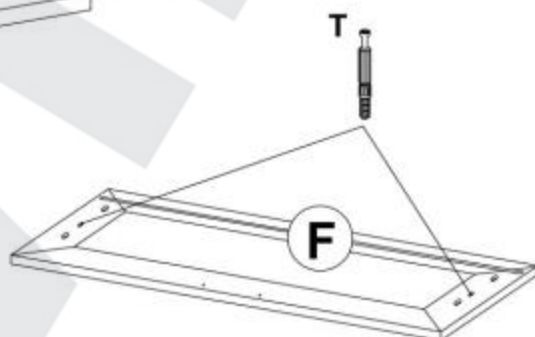
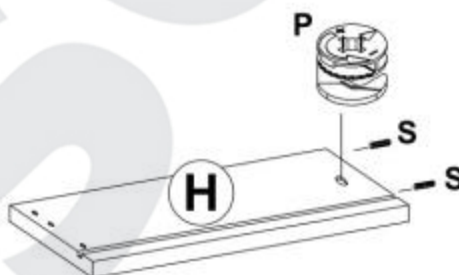
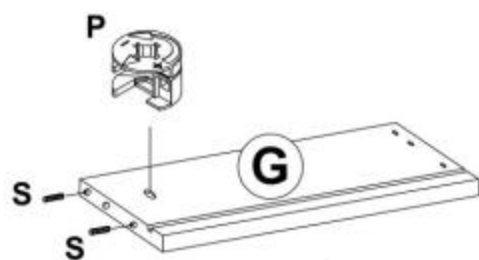
$X = Y$



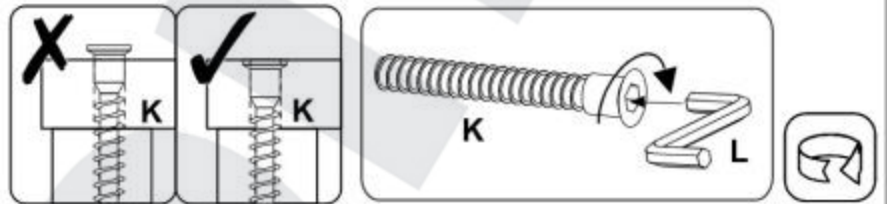
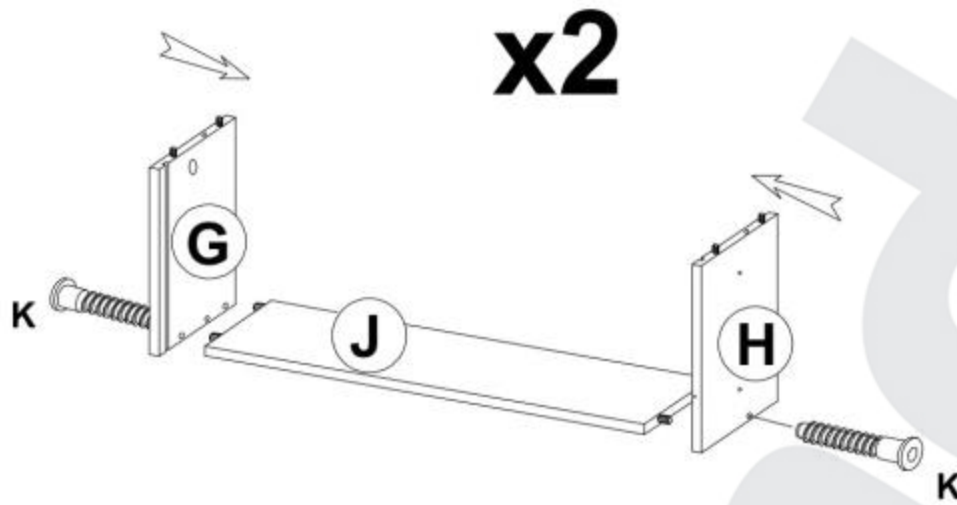
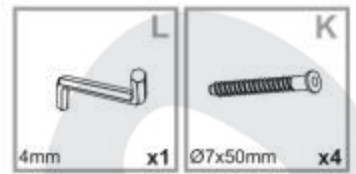
7



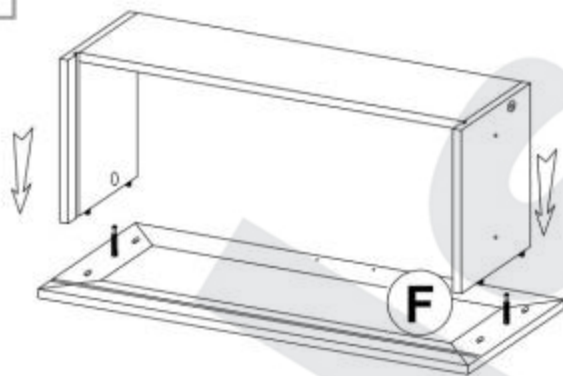
x2



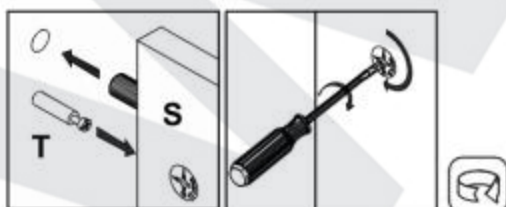
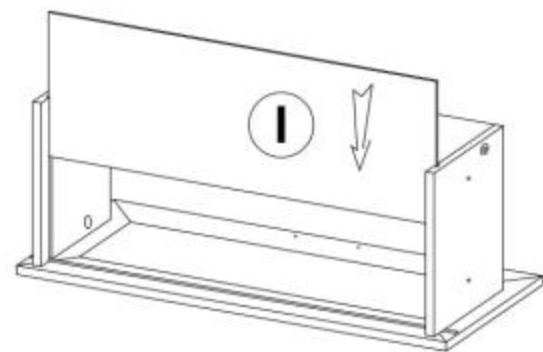
8






9

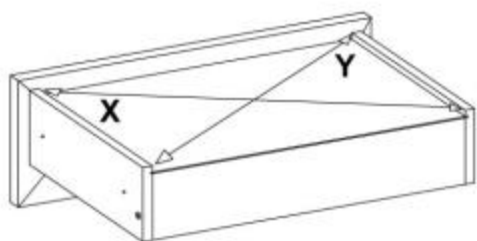


x2



10

 N Ø5x13mm x8	 Q Ø3x16mm x10	 U L-116mm x2
--------------------------------------------------------------------------------------------------------	---------------------------------------------------------------------------------------------------------	--------------------------------------------------------------------------------------------------------



X=Y

x2

