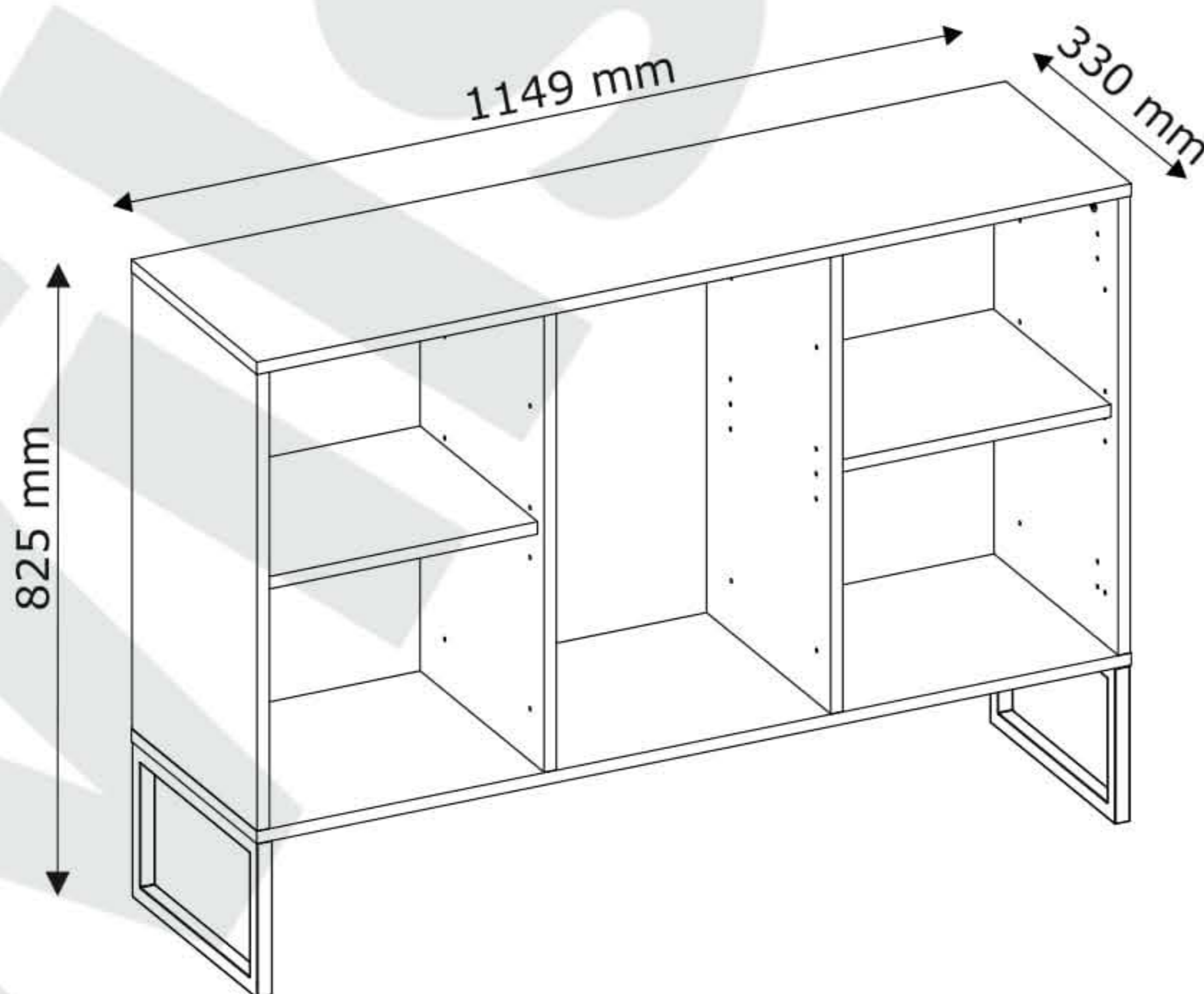
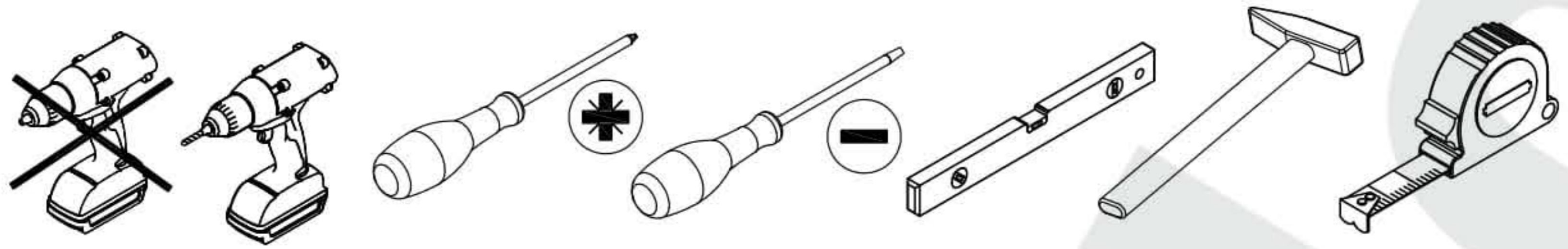


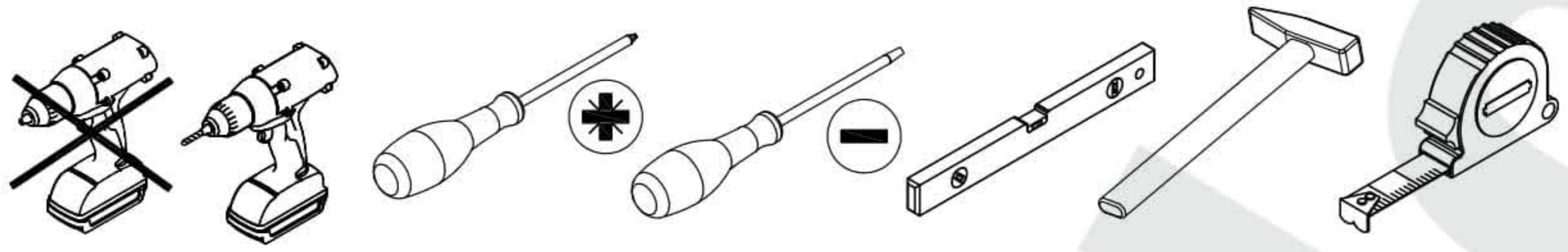
Linea 3

Cabinet 2D3S

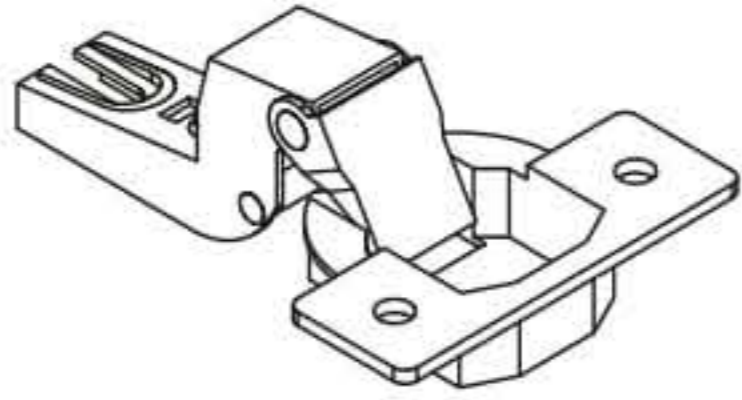




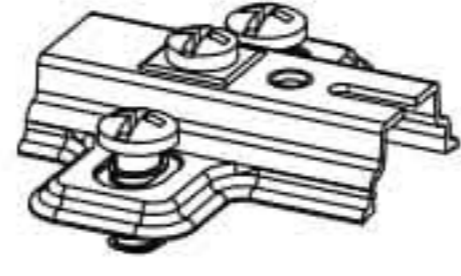
<p>A x 16</p>  <p>Ø8x35 mm</p>	<p>A1 x 6</p>  <p>Ø6x30 mm</p>	<p>B x 14</p>  <p>Ø7x50 mm</p>	<p>C x 8</p>  <p>Ø15x12 mm</p>
<p>C1 x 6</p>  <p>Ø12x10 mm</p>	<p>D x 14</p>  <p>Ø5x44 mm</p>	<p>E x 1</p>  <p>4 mm</p>	<p>F x 8</p>  <p>20 mm</p>
<p>F1 x 6</p>  <p>20 mm</p>	<p>G x 40</p>  <p>1,2x25 mm</p>	<p>H x 8</p>  <p>22x9x2 mm</p>	<p>I x 1</p> 
<p>J x 9</p>  <p>3,5x16 mm</p>	<p>M x 12</p>  <p>Ø6,3x13 mm</p>	<p>N1 x 6</p>  <p>278 mm</p>	
<p>O x 8</p>  <p>Ø5mm</p>	<p>P x 5</p> 	<p>Q x 6</p>  <p>4x9 mm</p>	



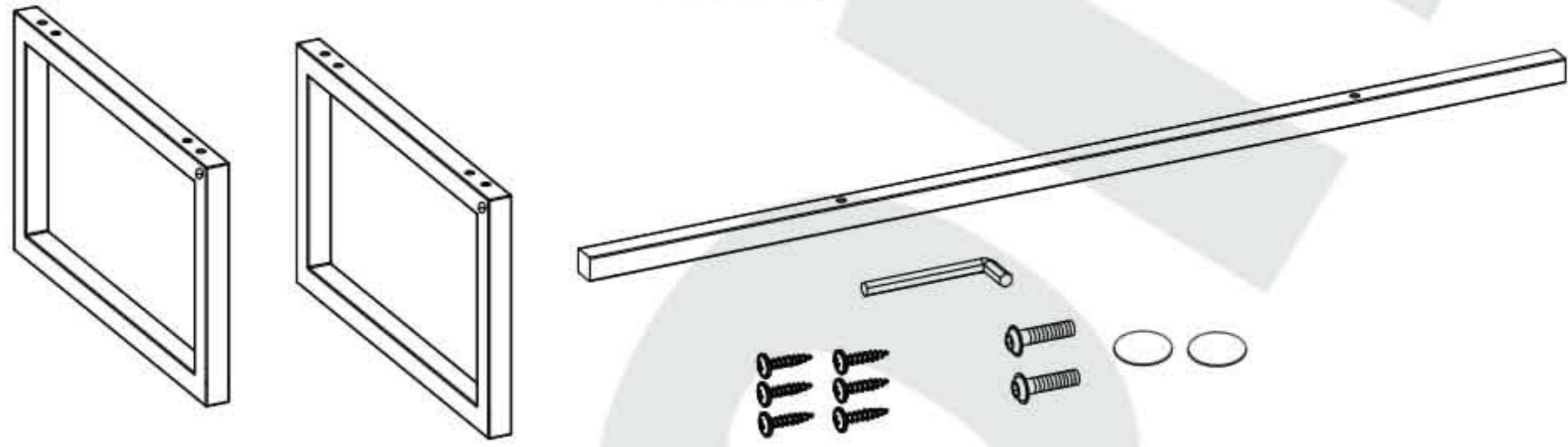
R x 4

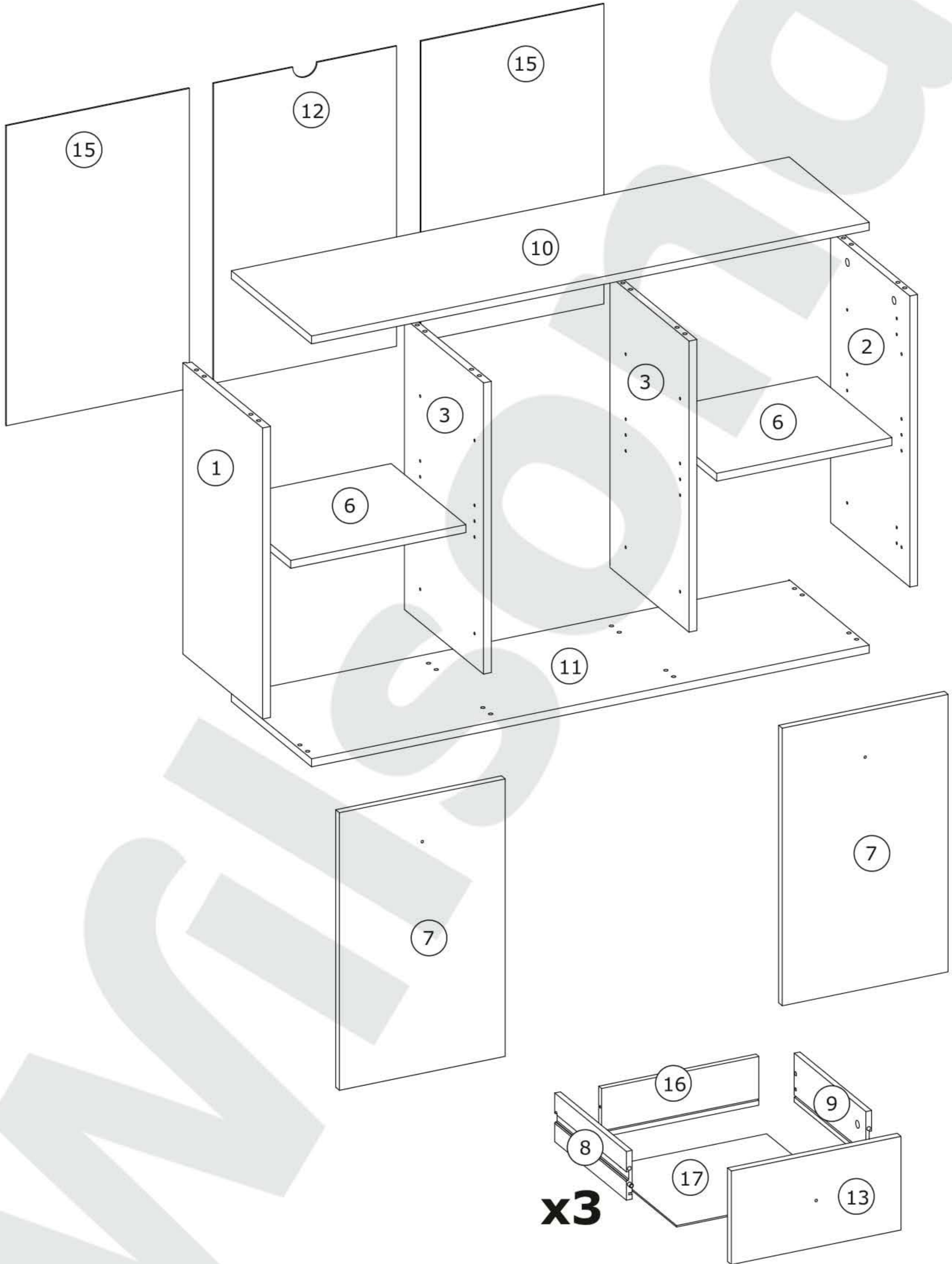


S x 4

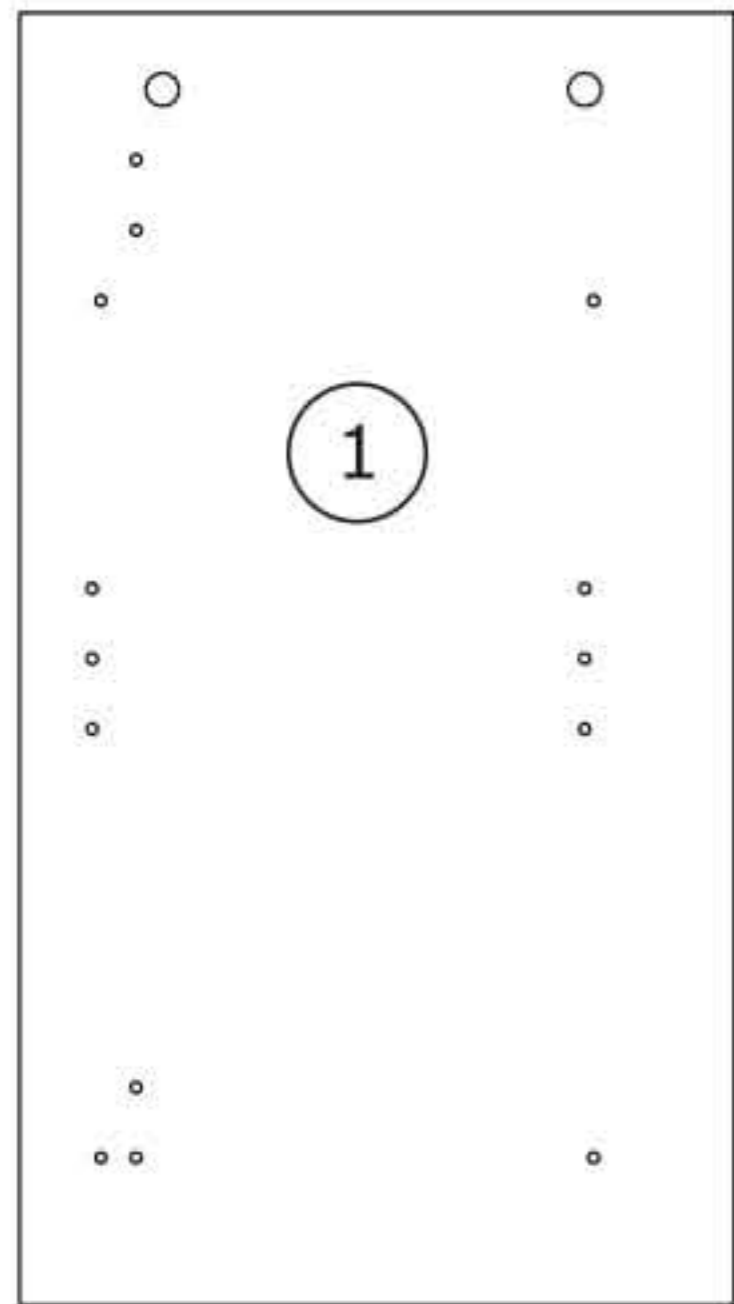


AK x 1

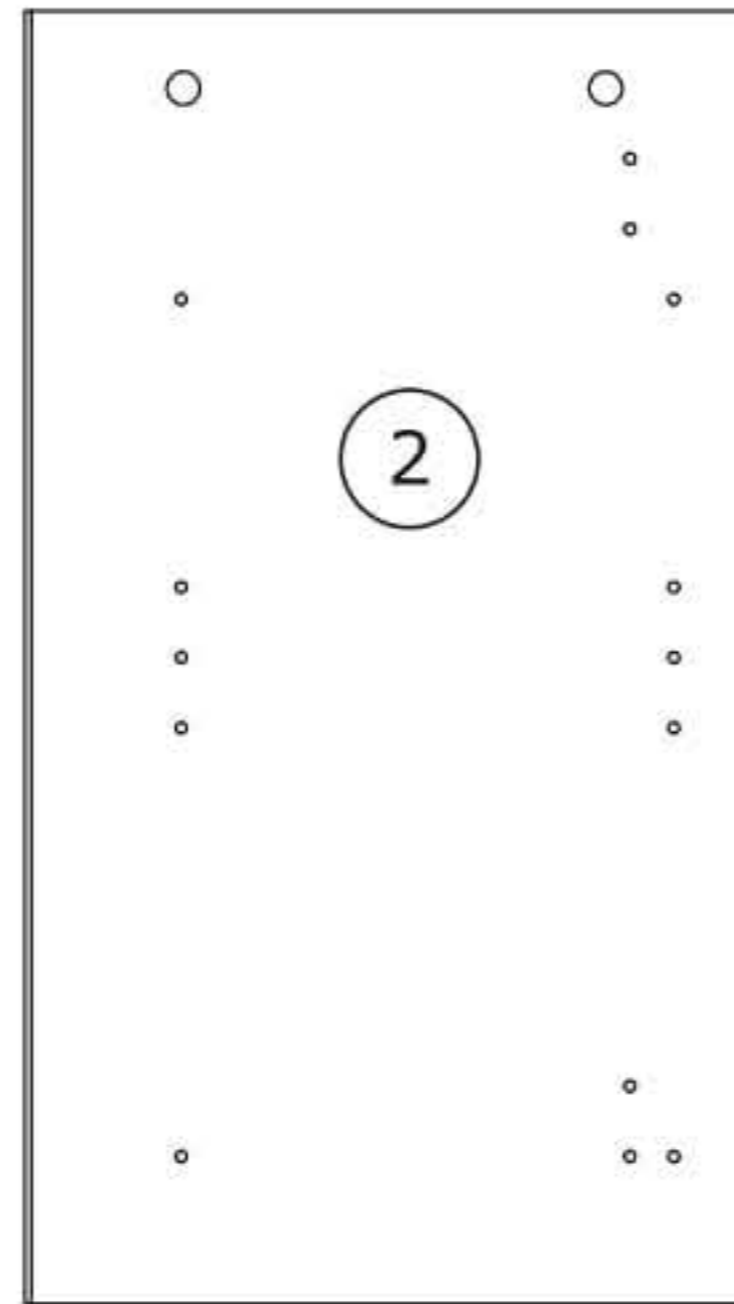




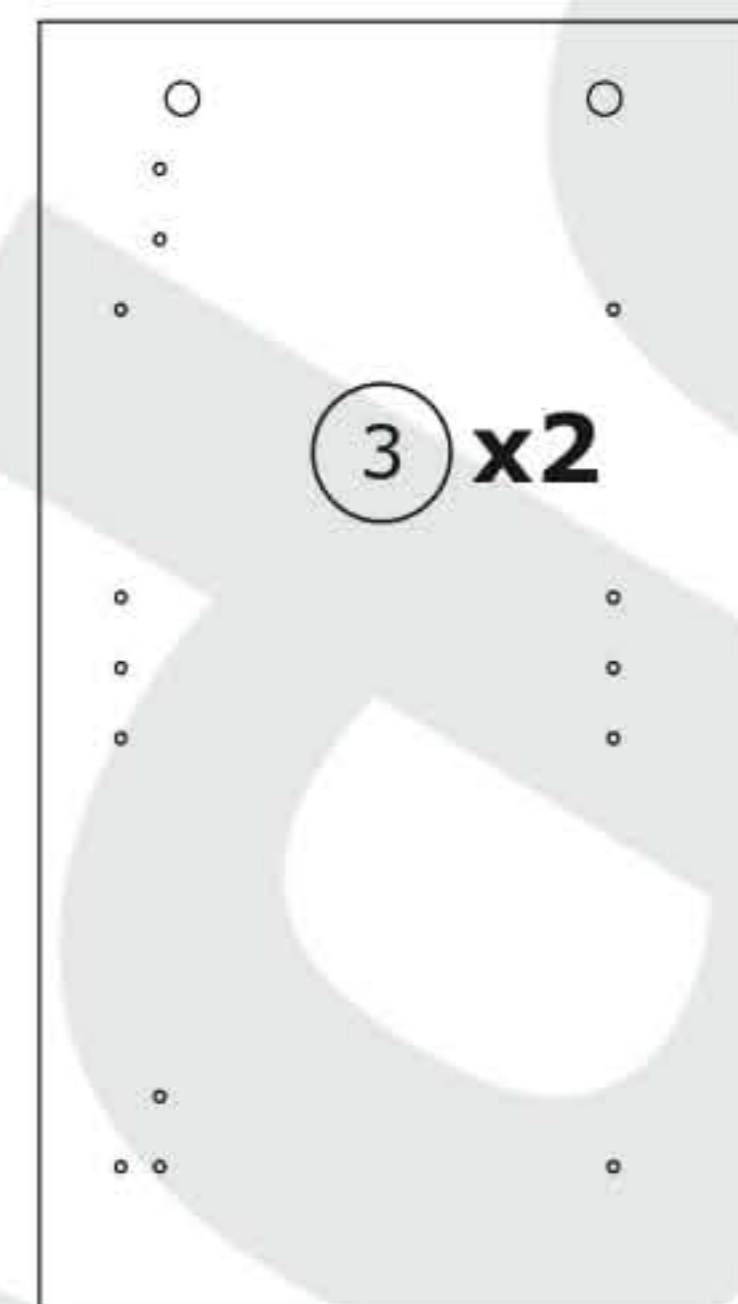
BOX 1/1:



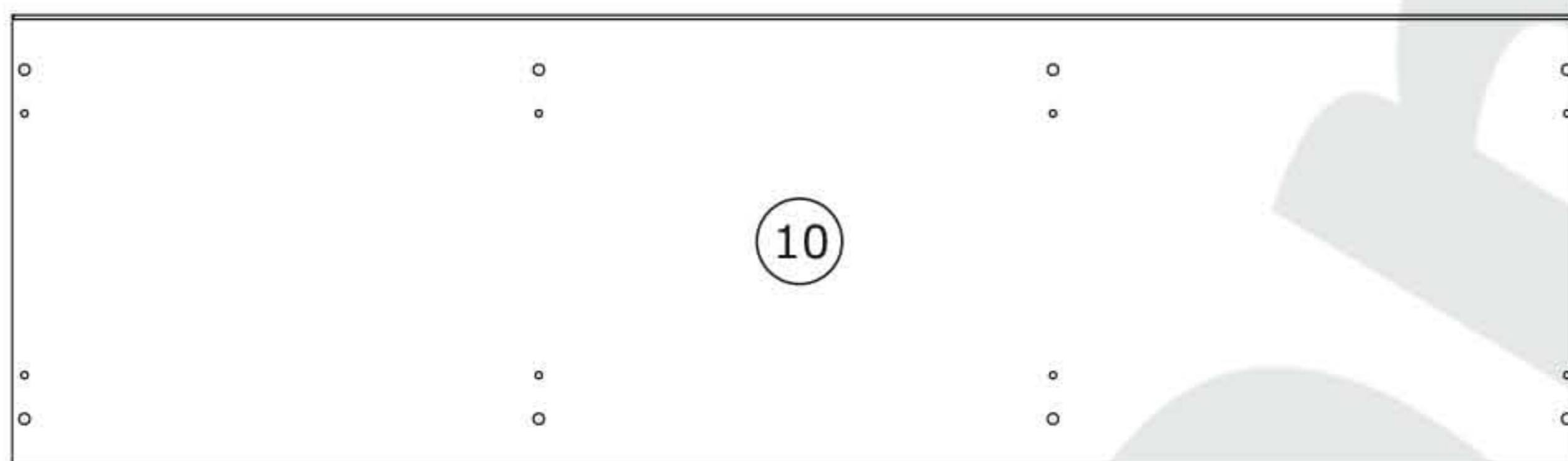
588x329x16 mm



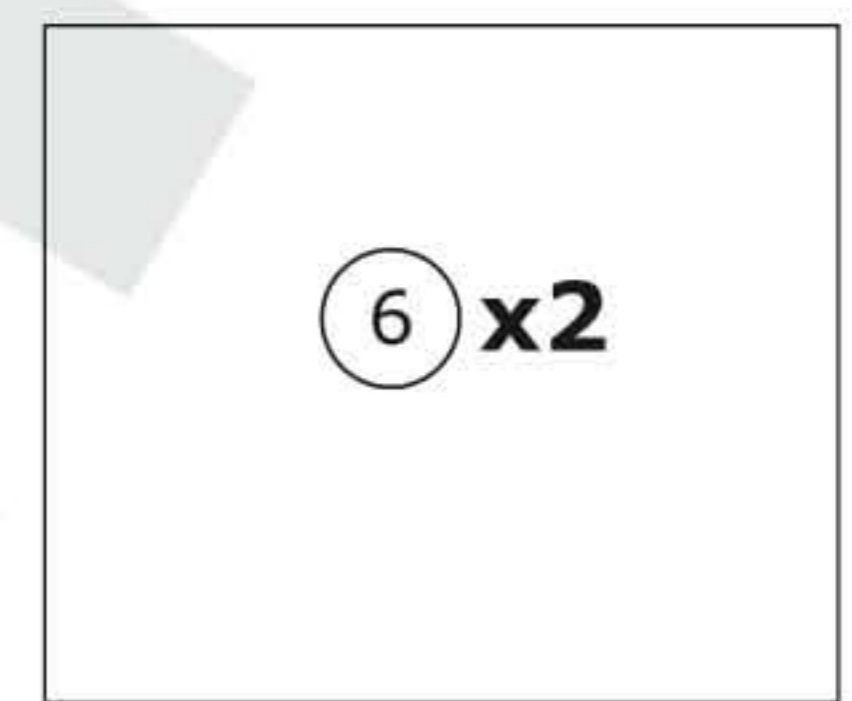
588x329x16 mm



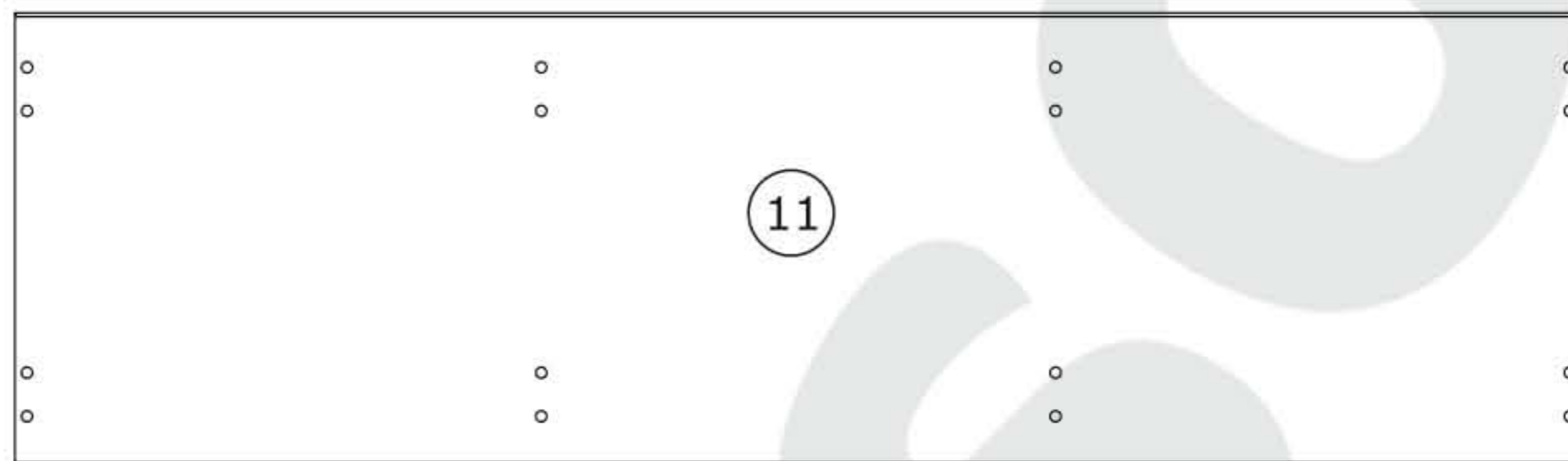
588x326x16 mm



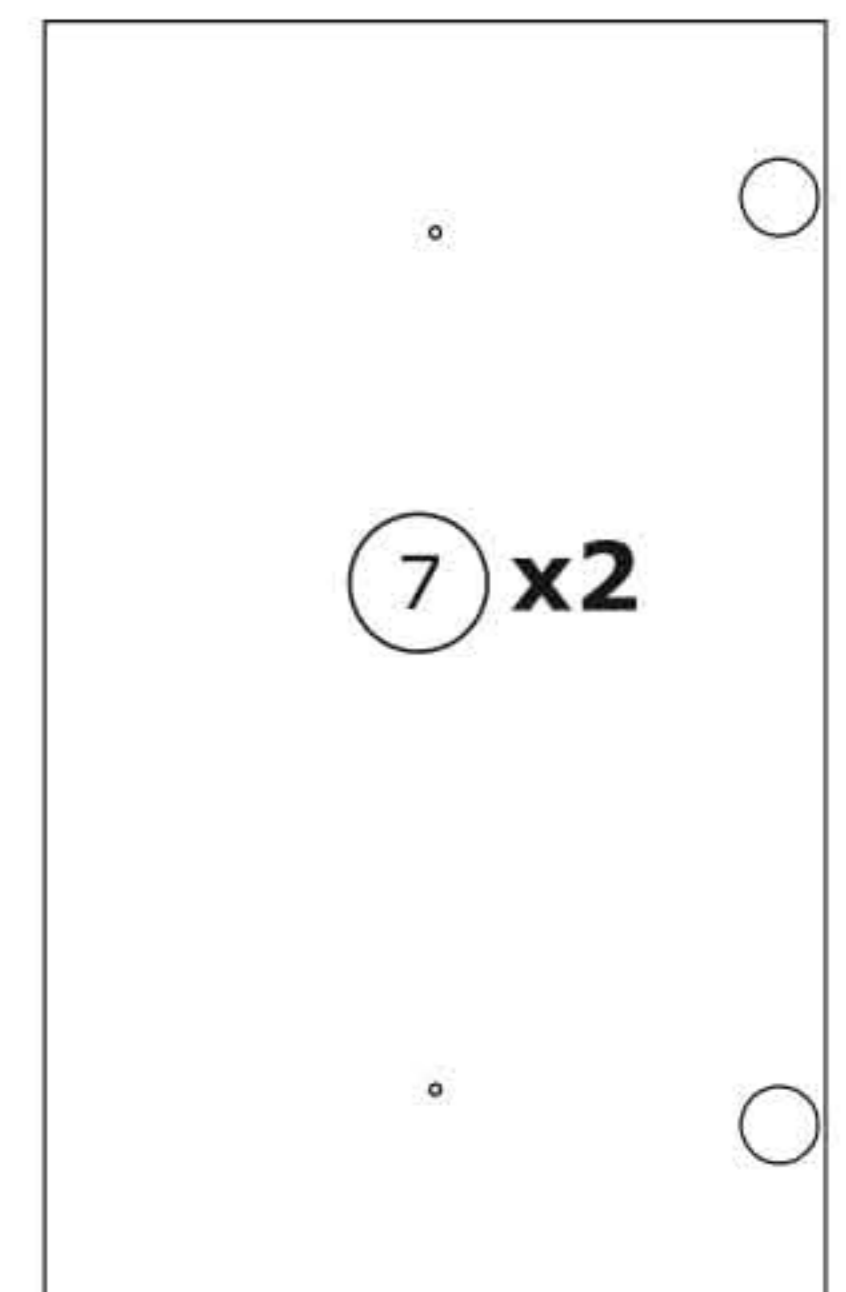
1149x330x16 mm



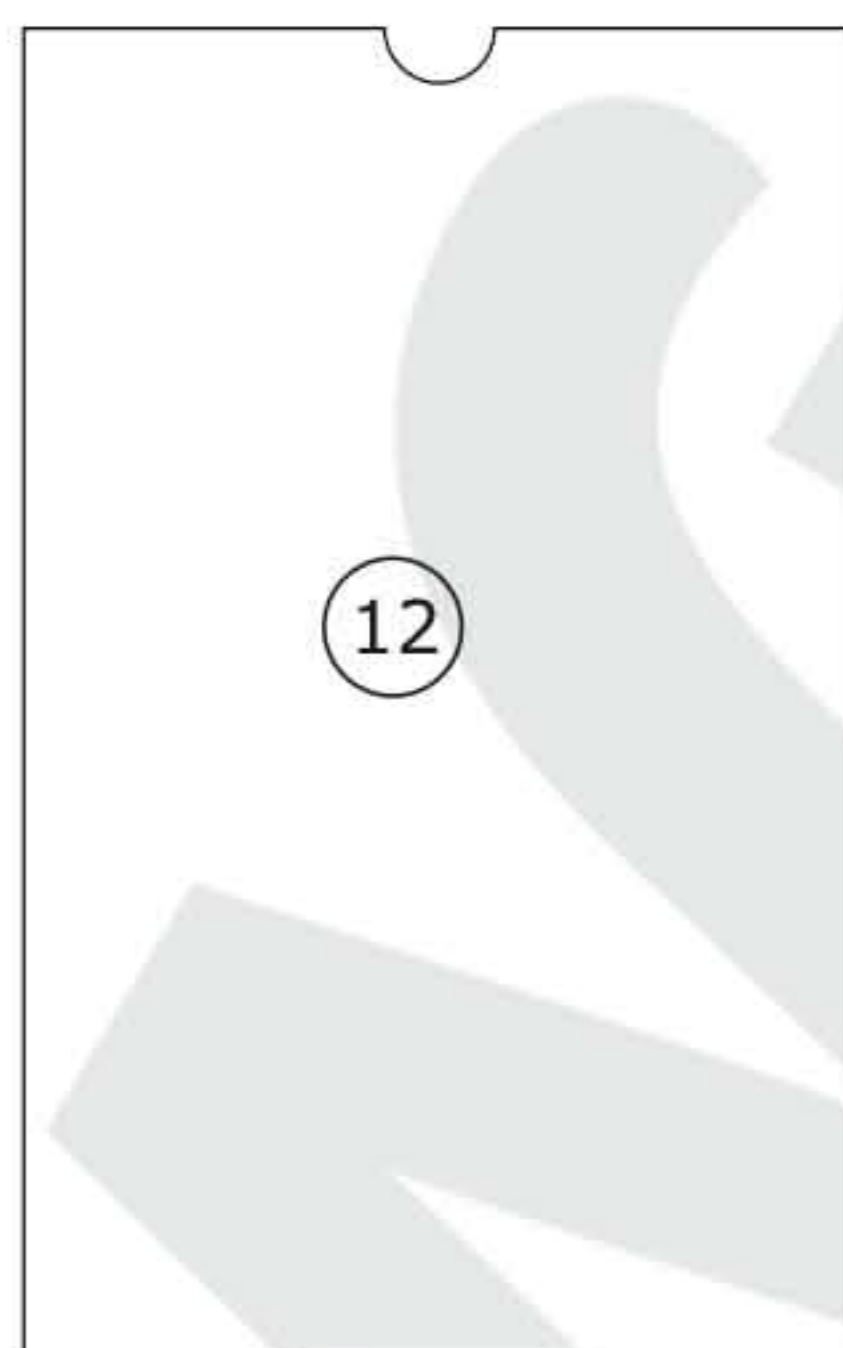
361x308x16 mm



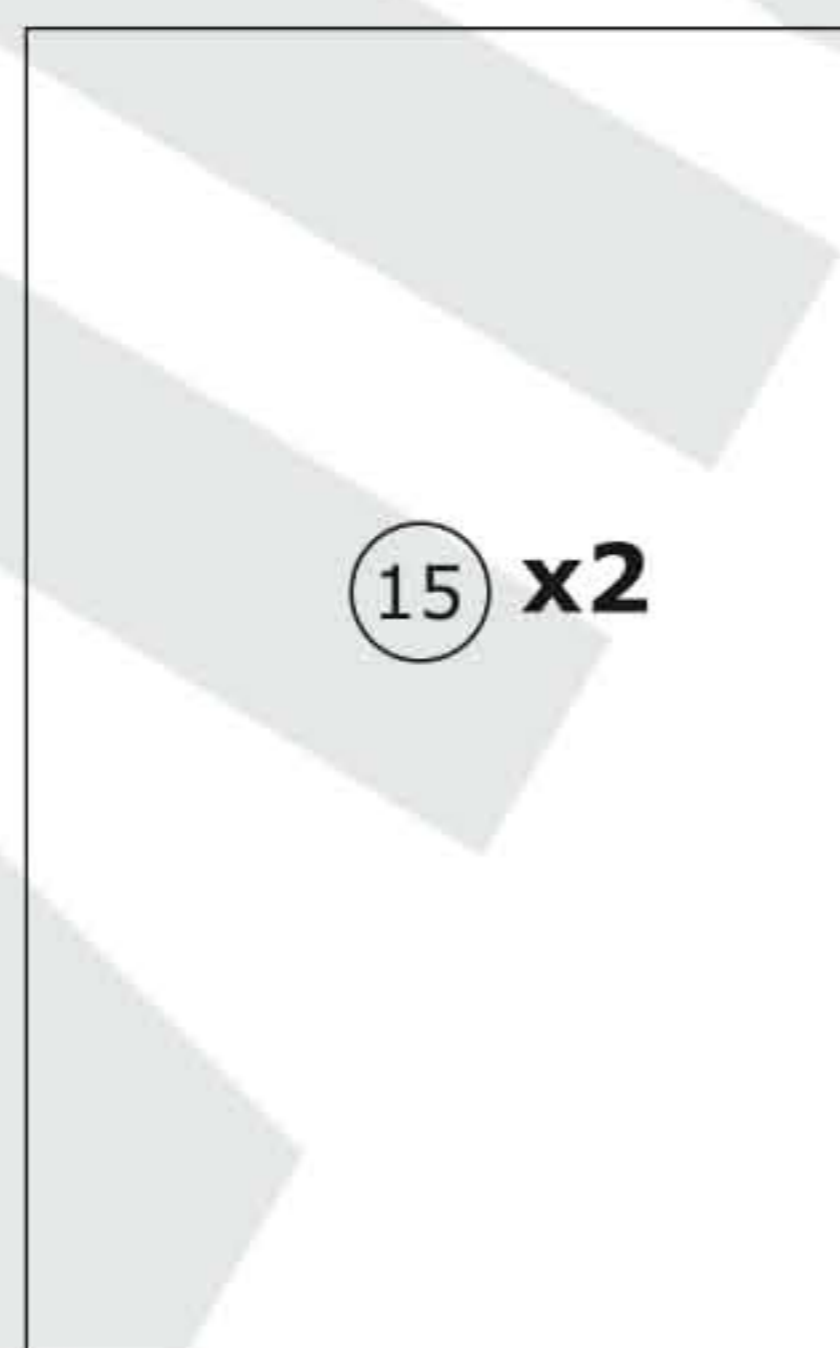
1149x330x16 mm



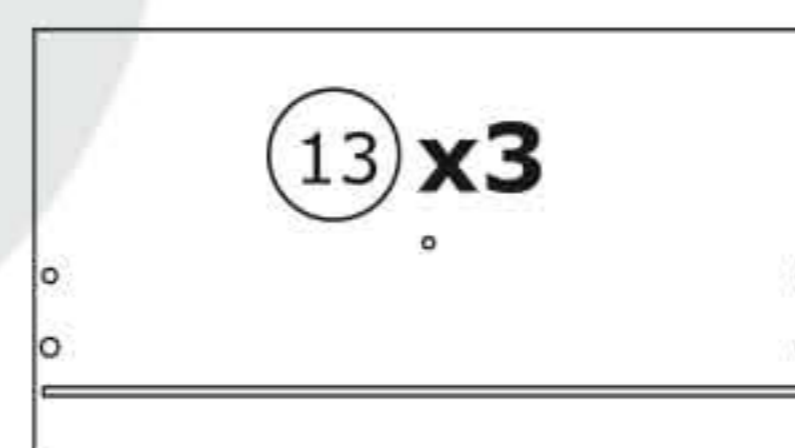
582x355x16 mm



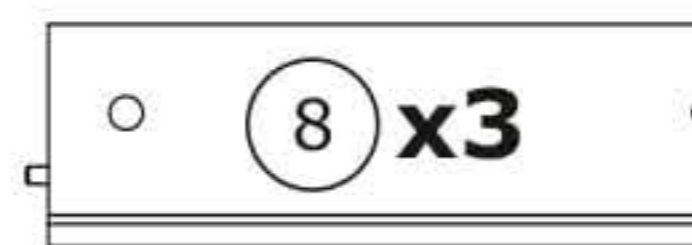
606x377x2,5 mm



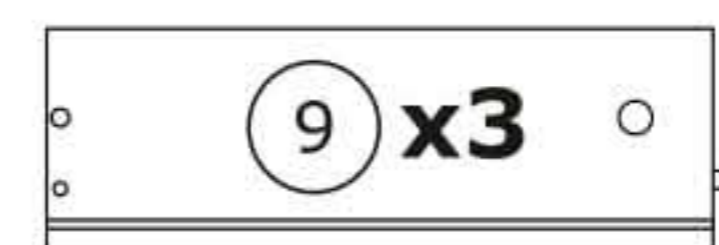
606x377x2,5 mm



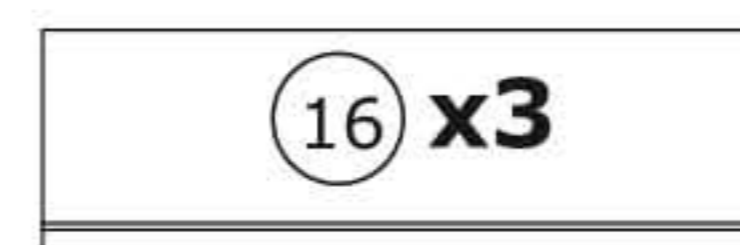
355x192x16 mm



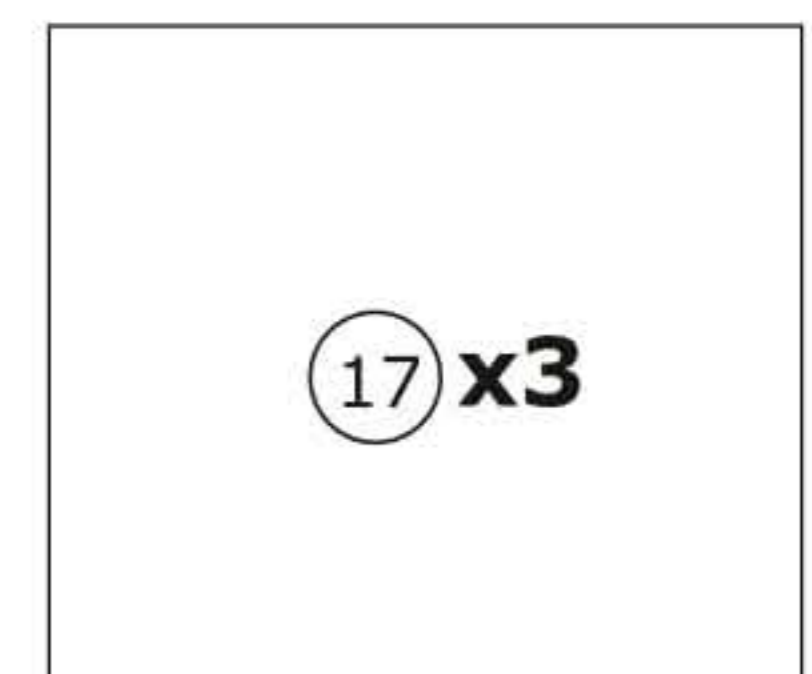
300x100x12 mm



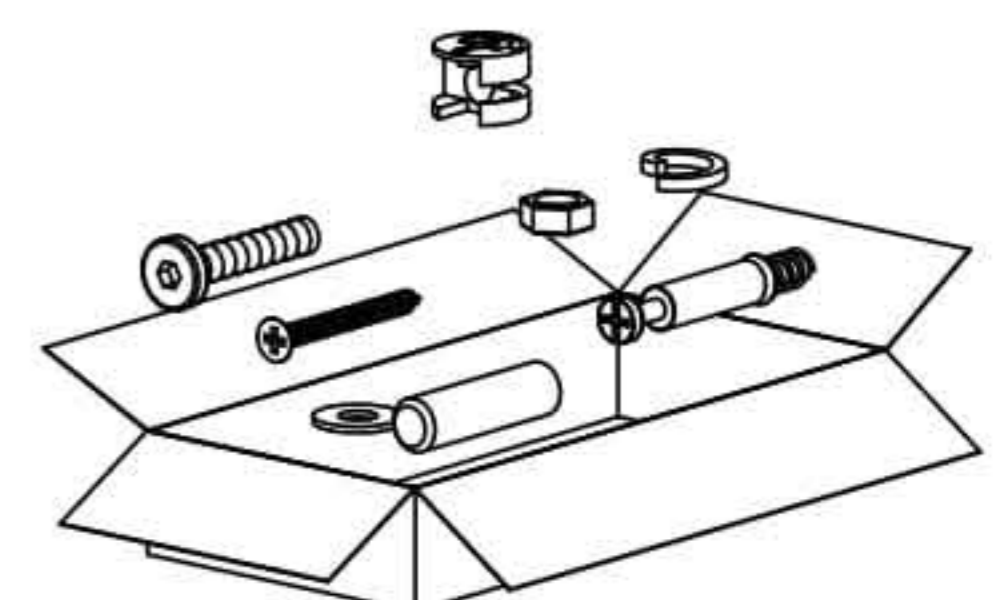
300x100x12 mm




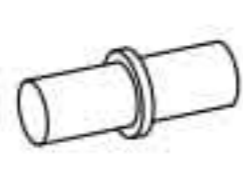
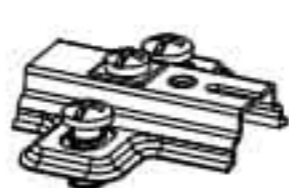


329x100x12 mm

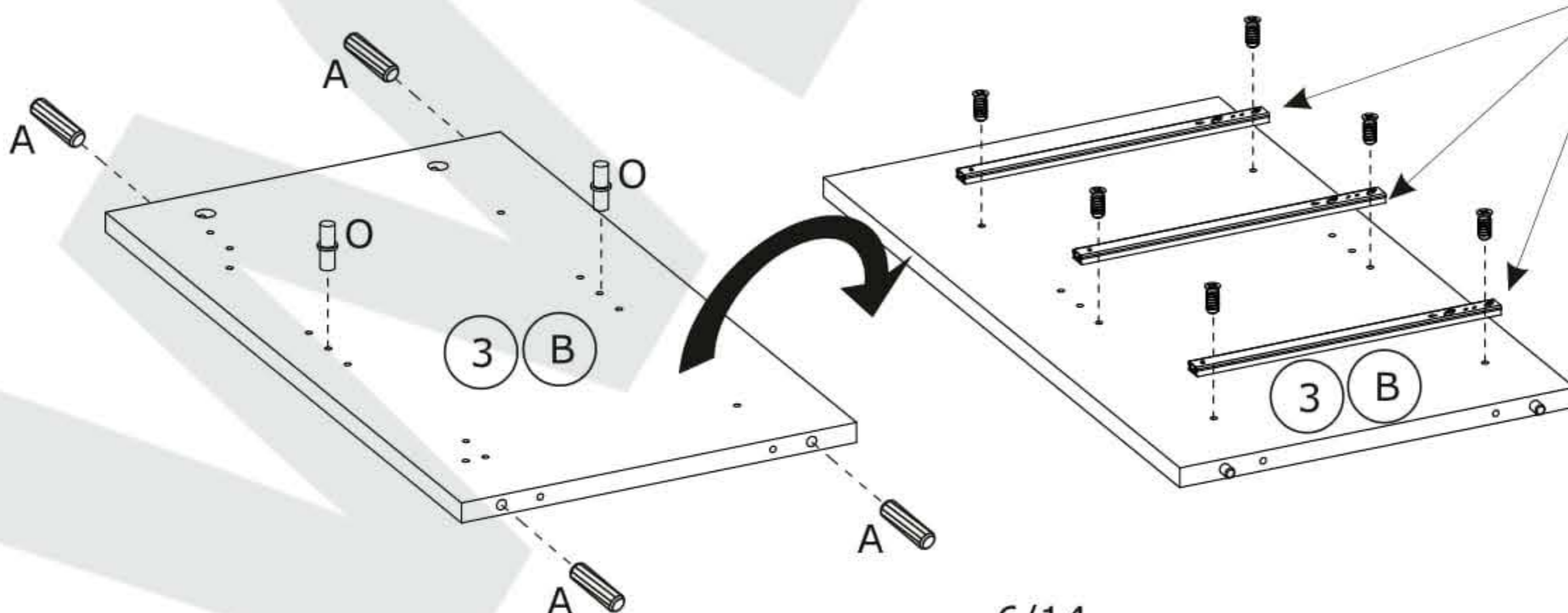
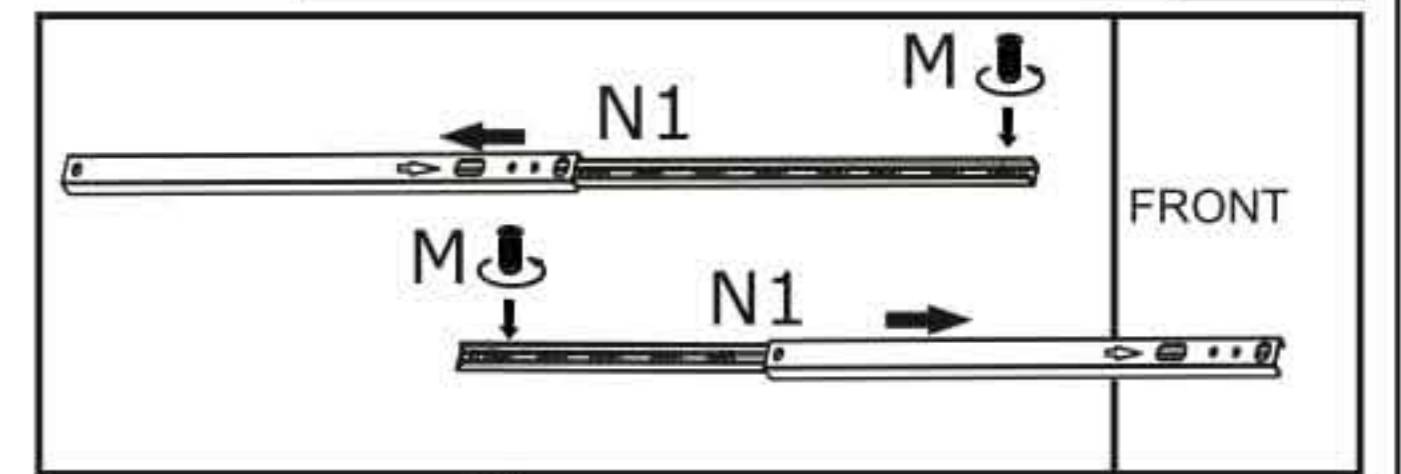
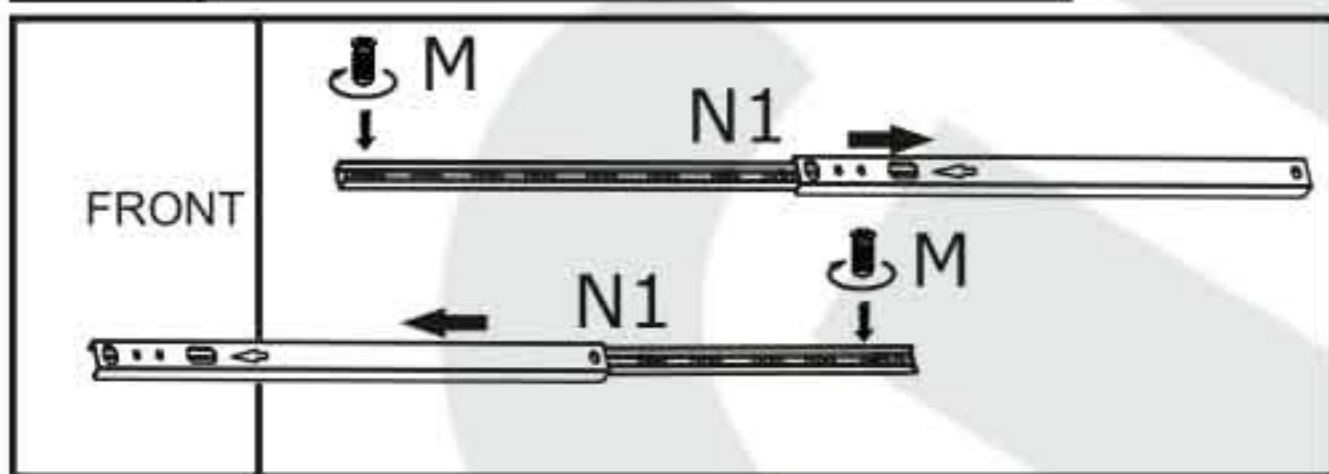
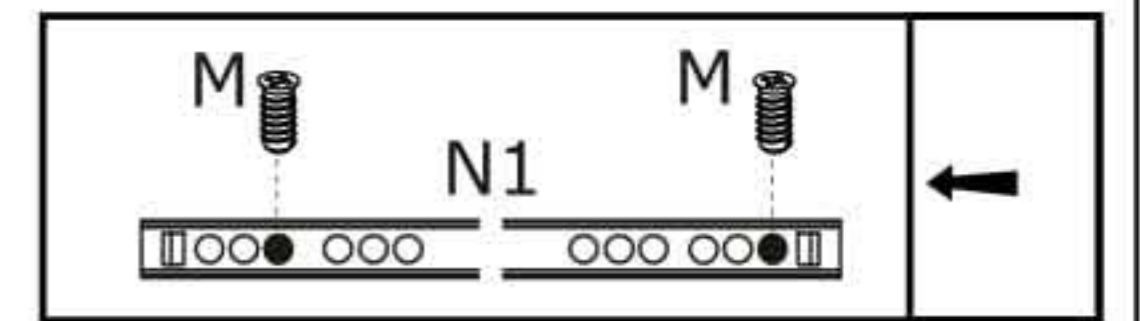
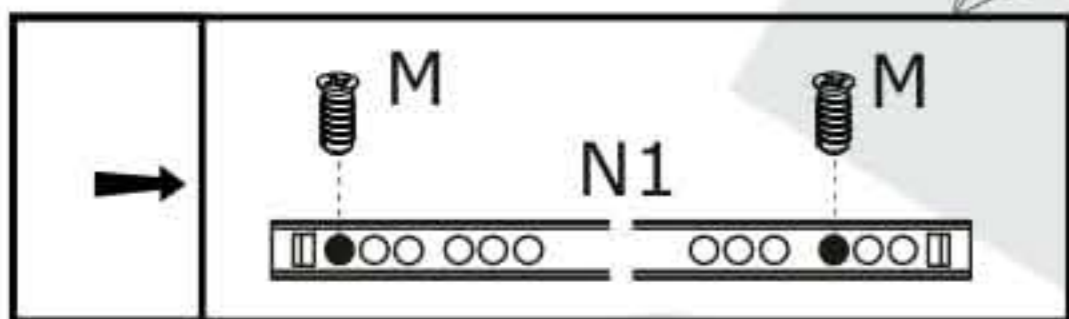
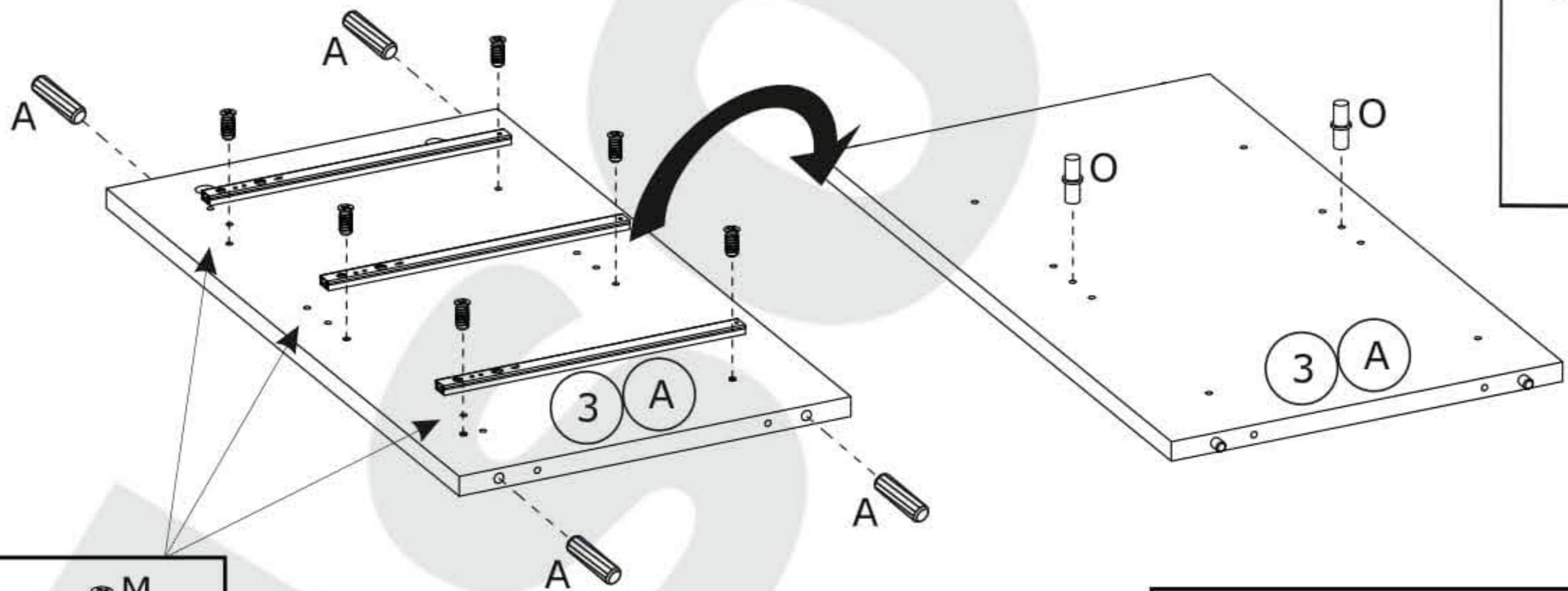
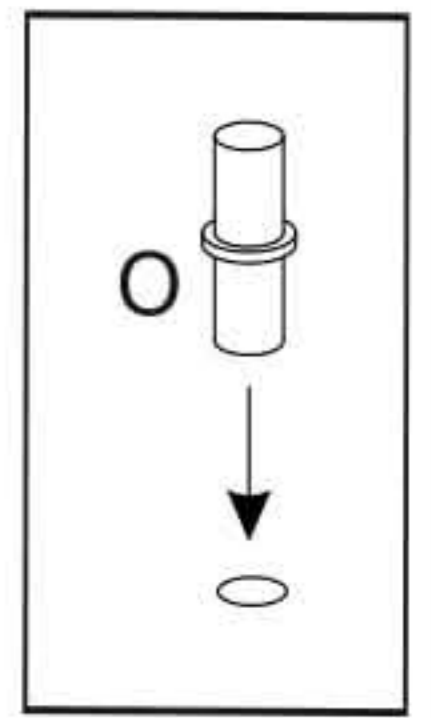
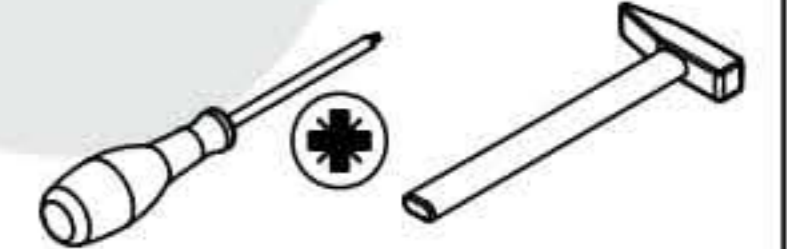
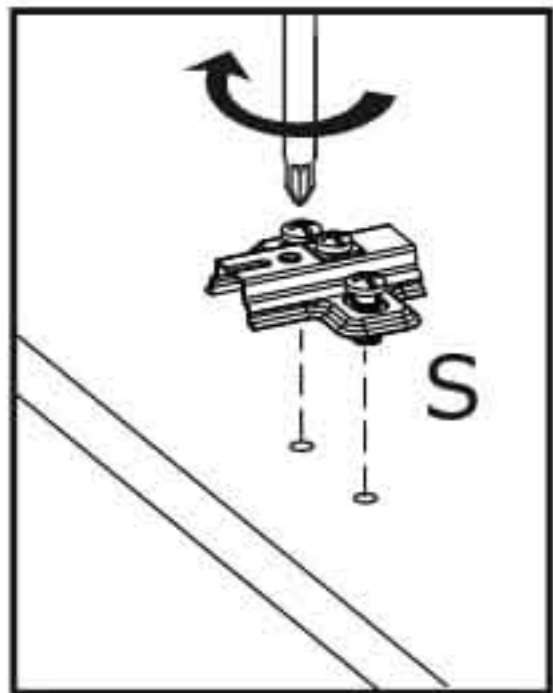
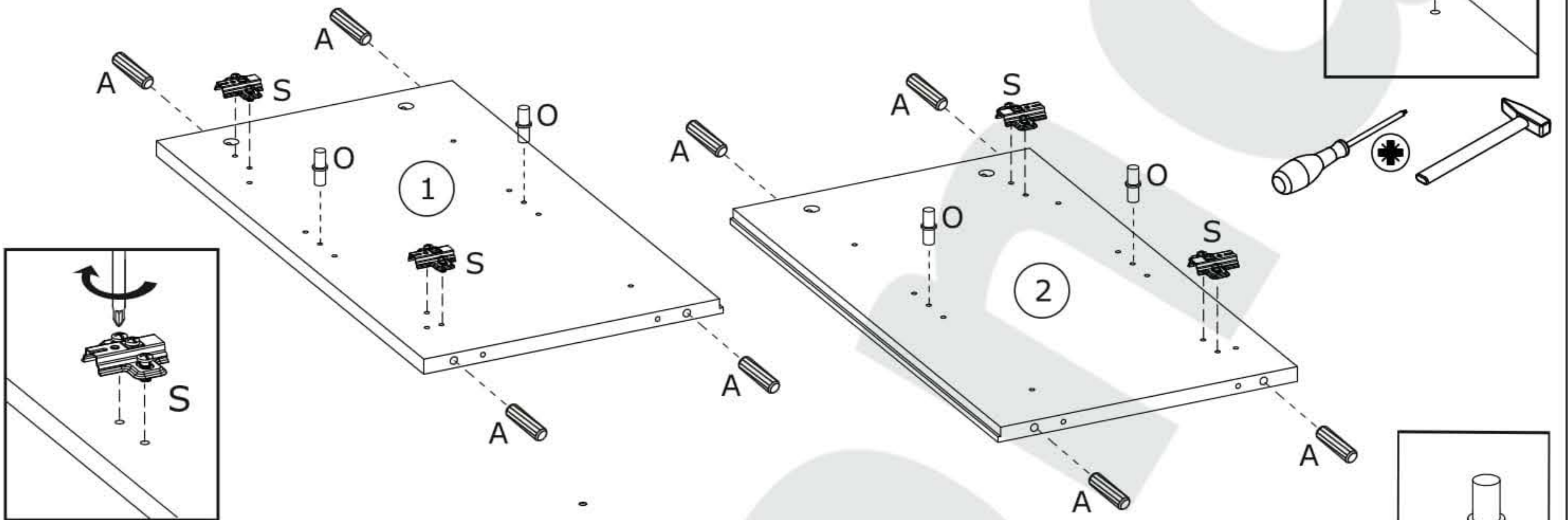
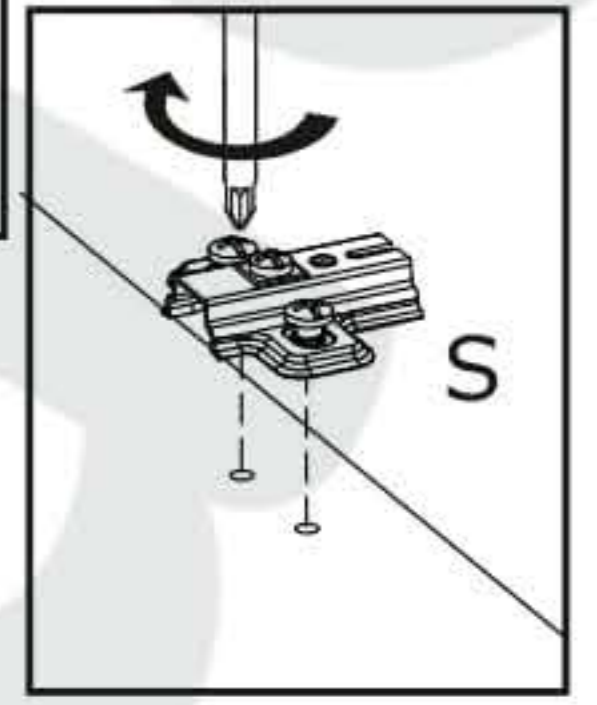
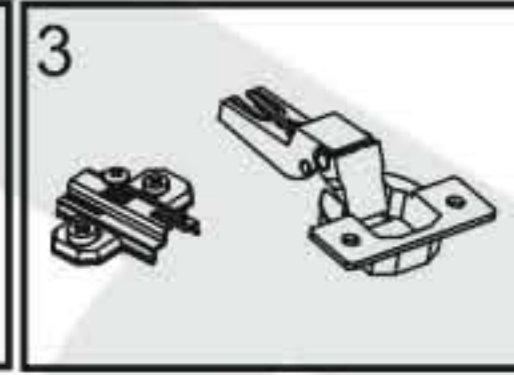
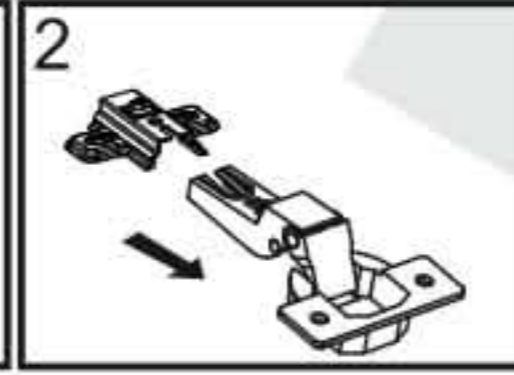
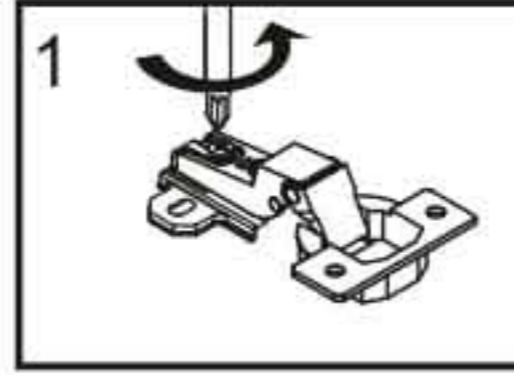
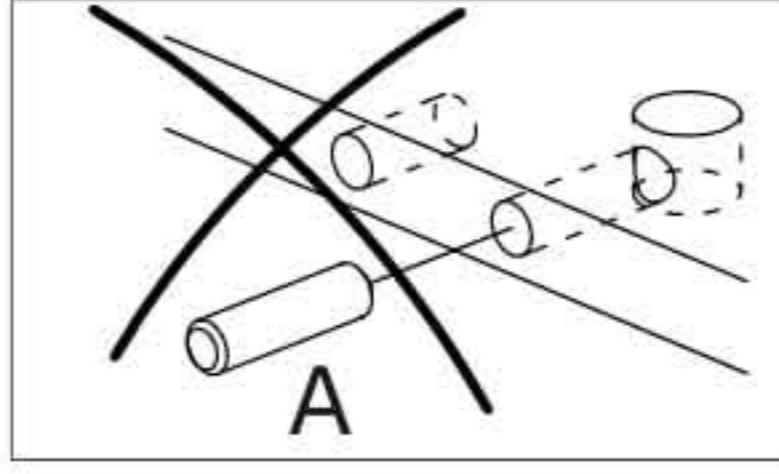
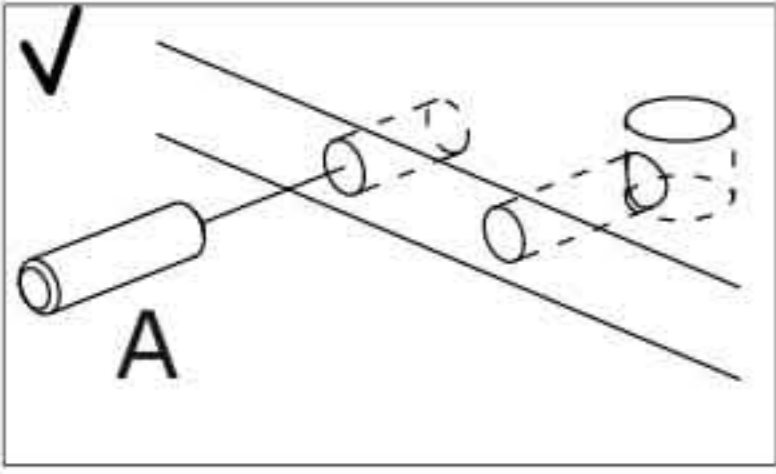


339x301x2,5 mm



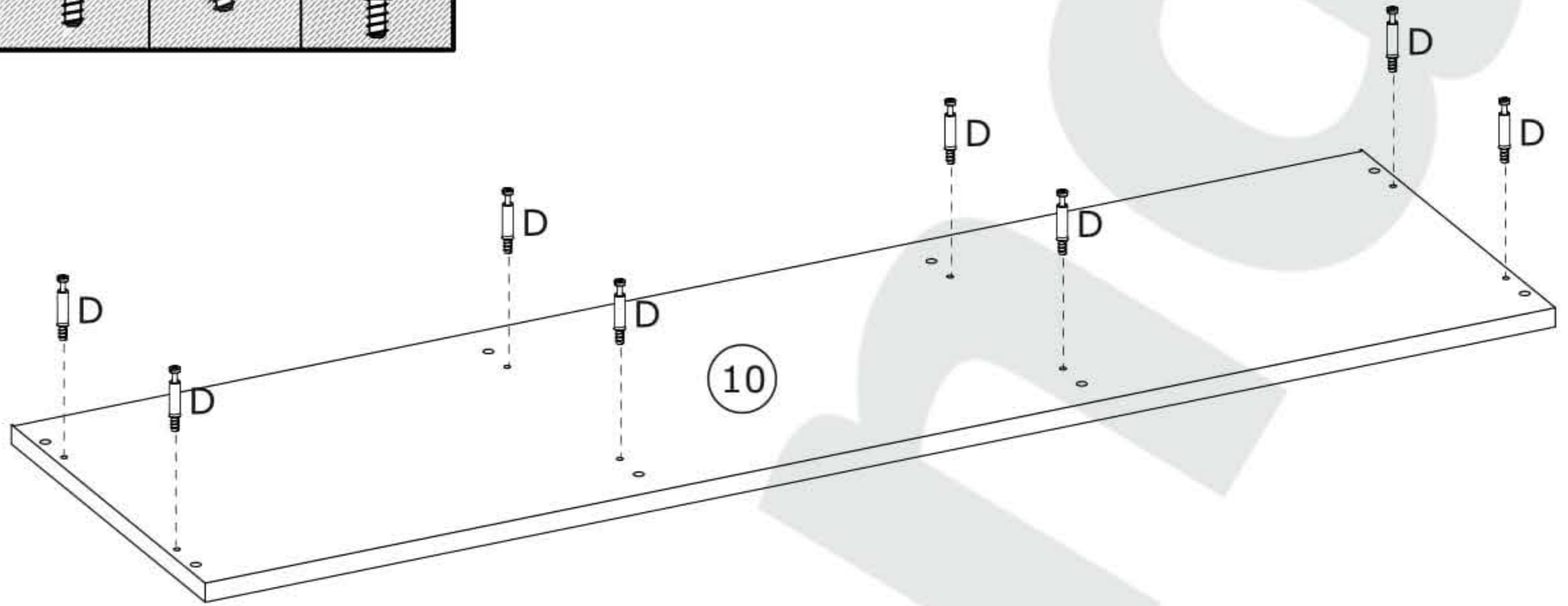
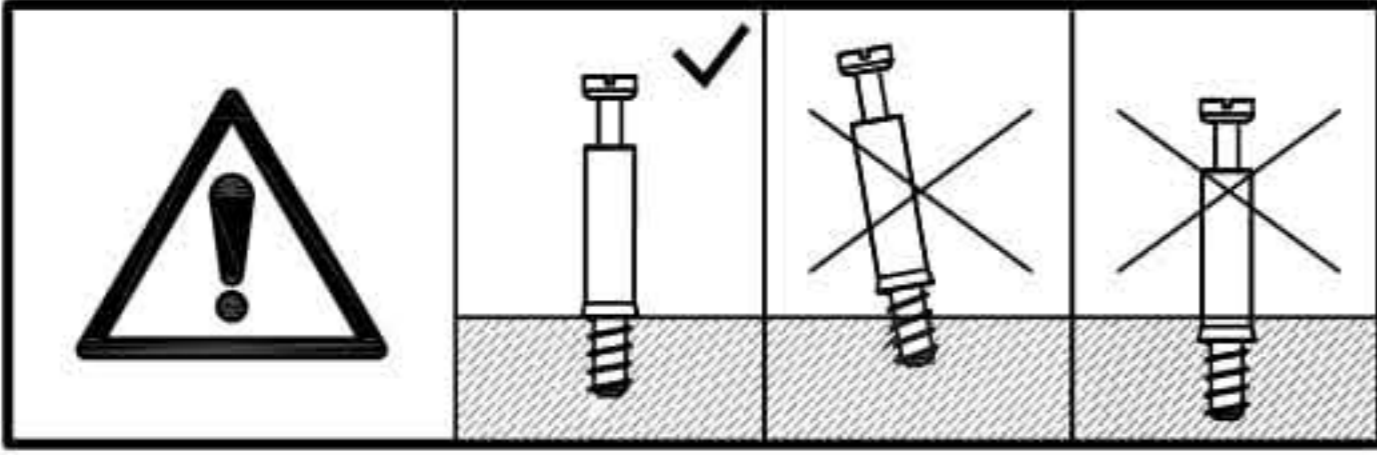
1

A x 16  Ø8x35 mm	O x 8  Ø5 mm	S x 4 	M x 12  Ø6,3x13 mm	N1 x 6  278 mm
---	---	---	---	---



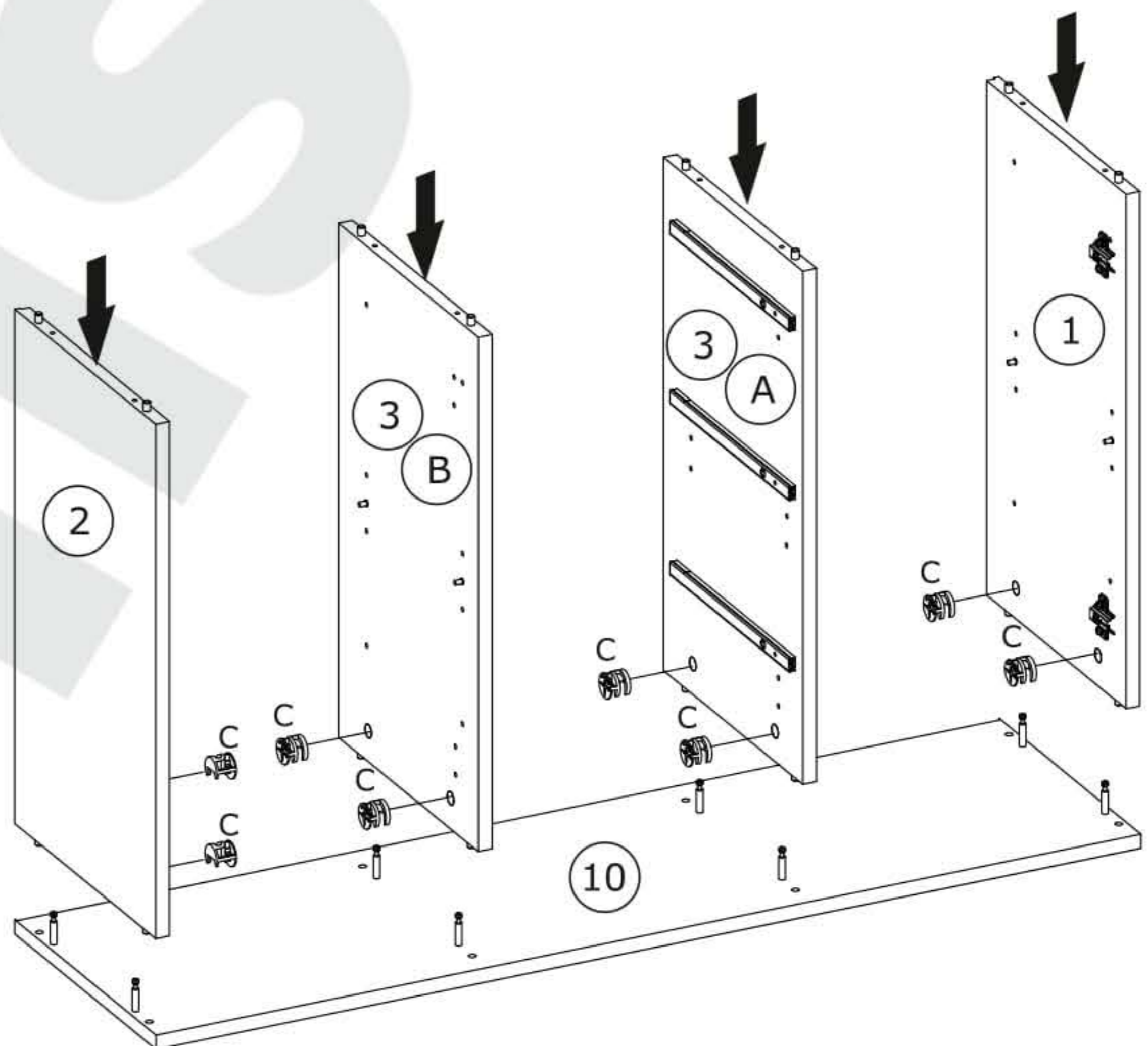
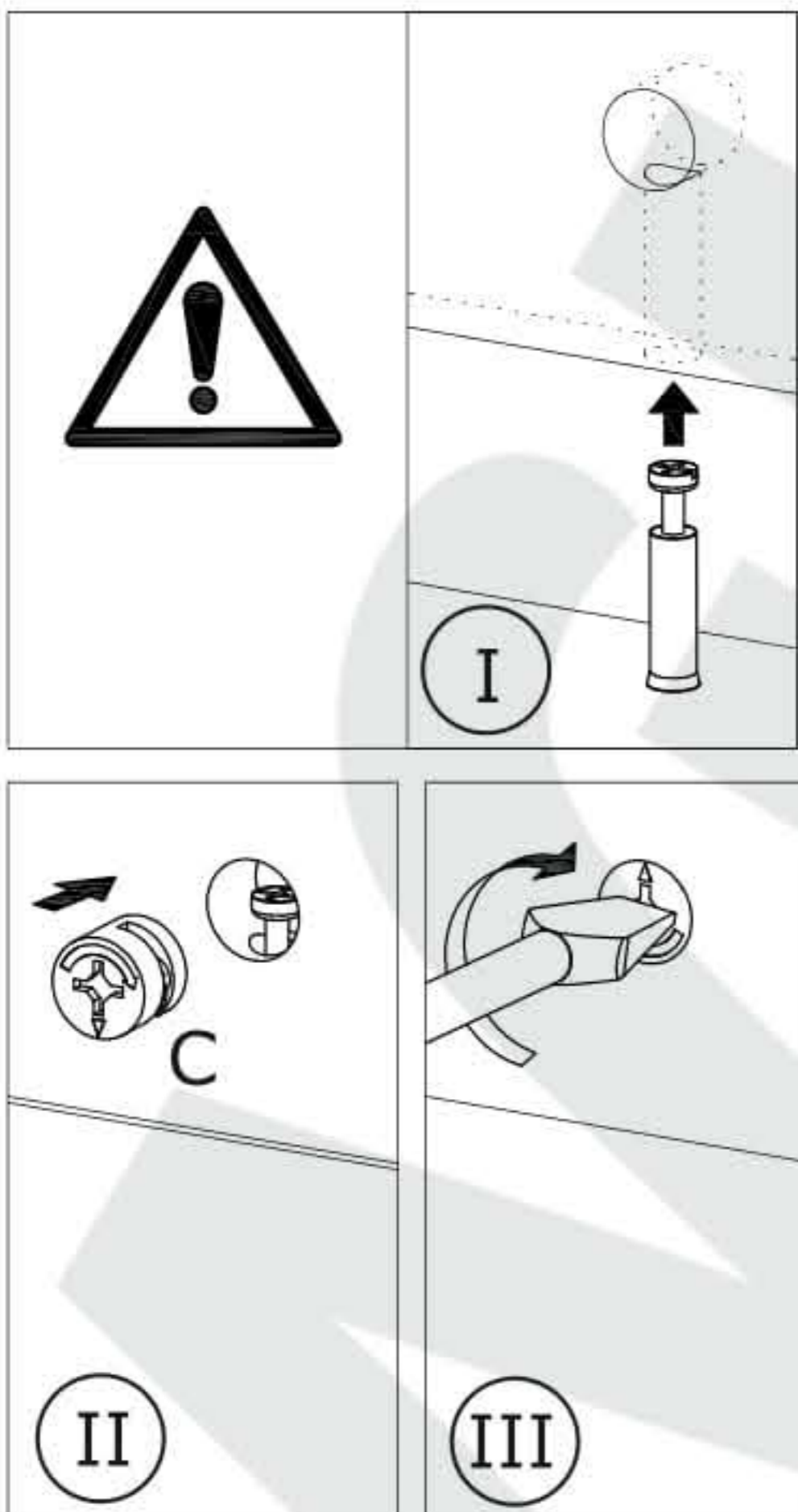
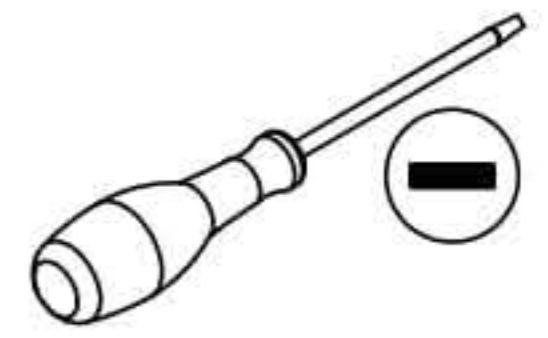
2

D x 8
Ø5x44 mm



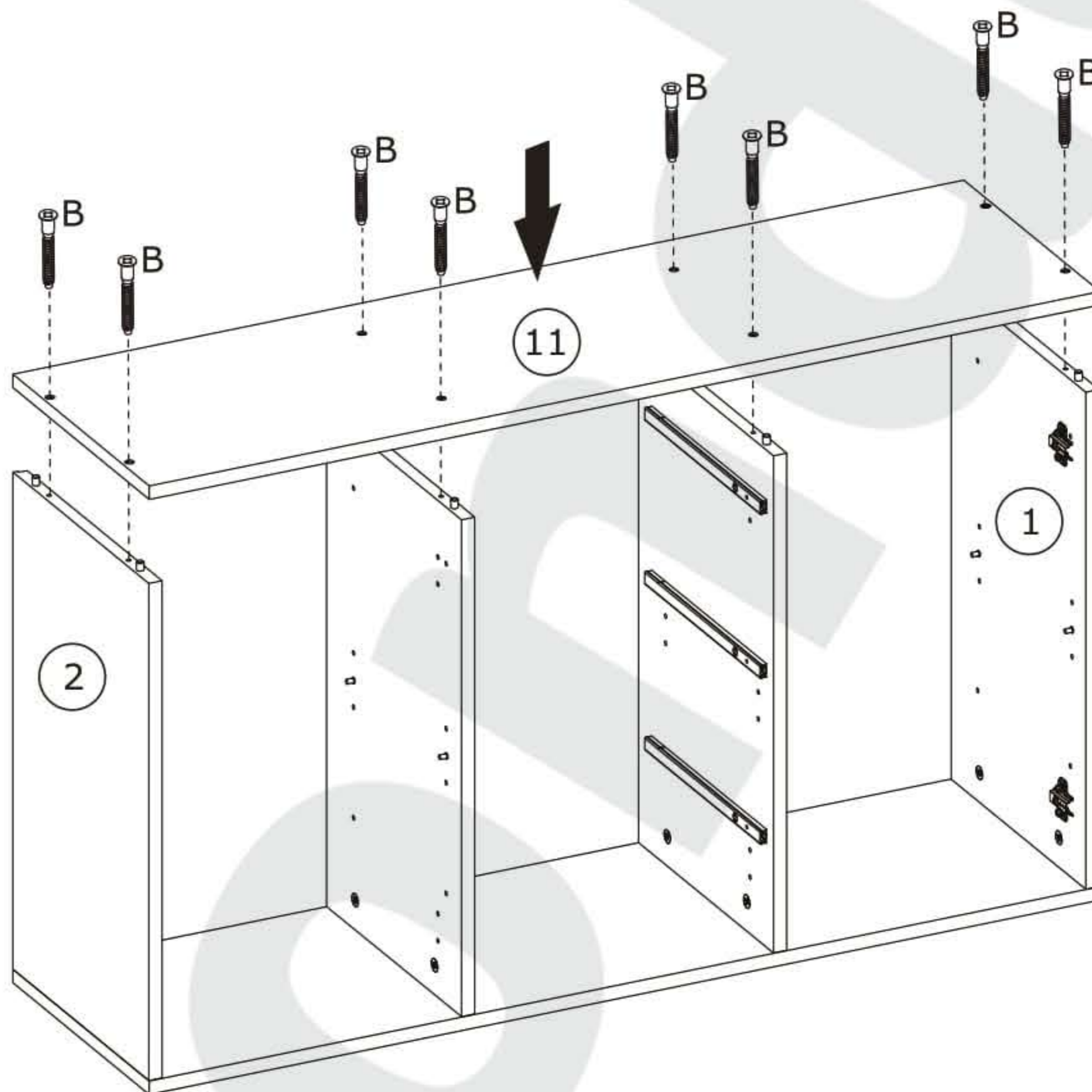
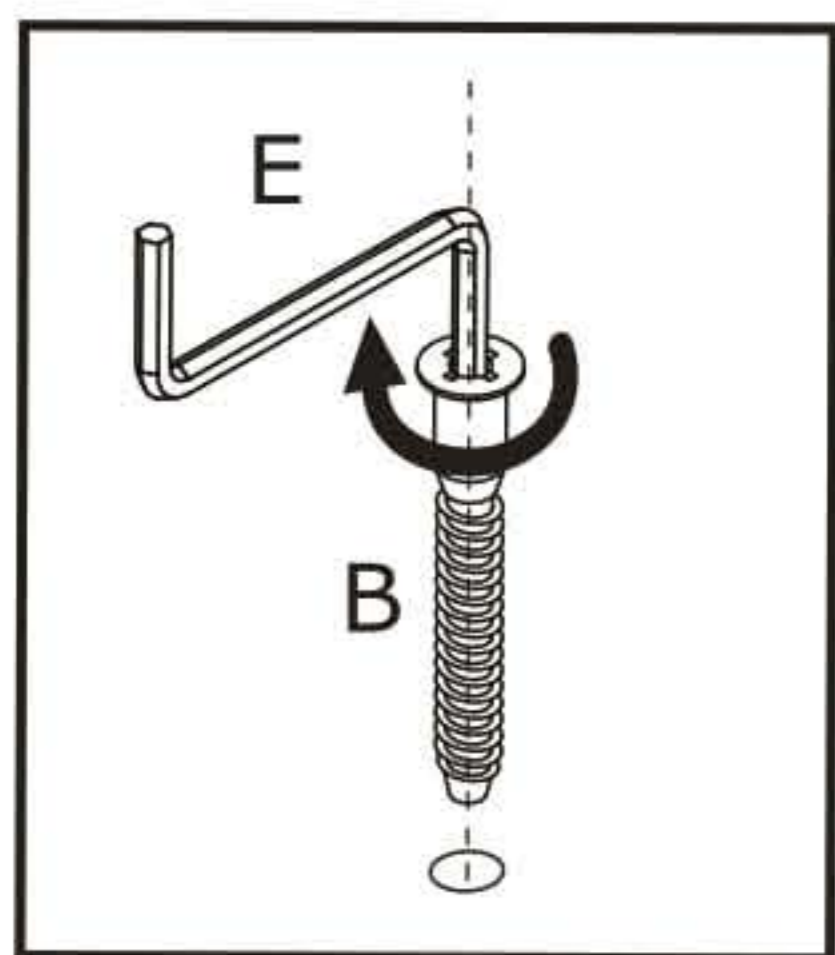
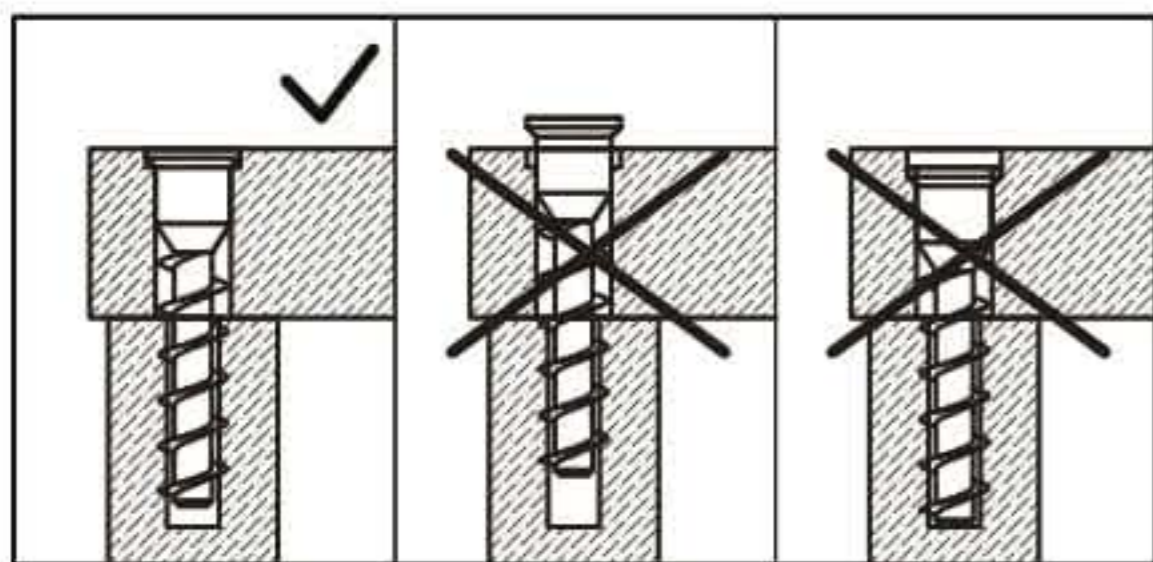
3

C x 8
Ø15x12 mm



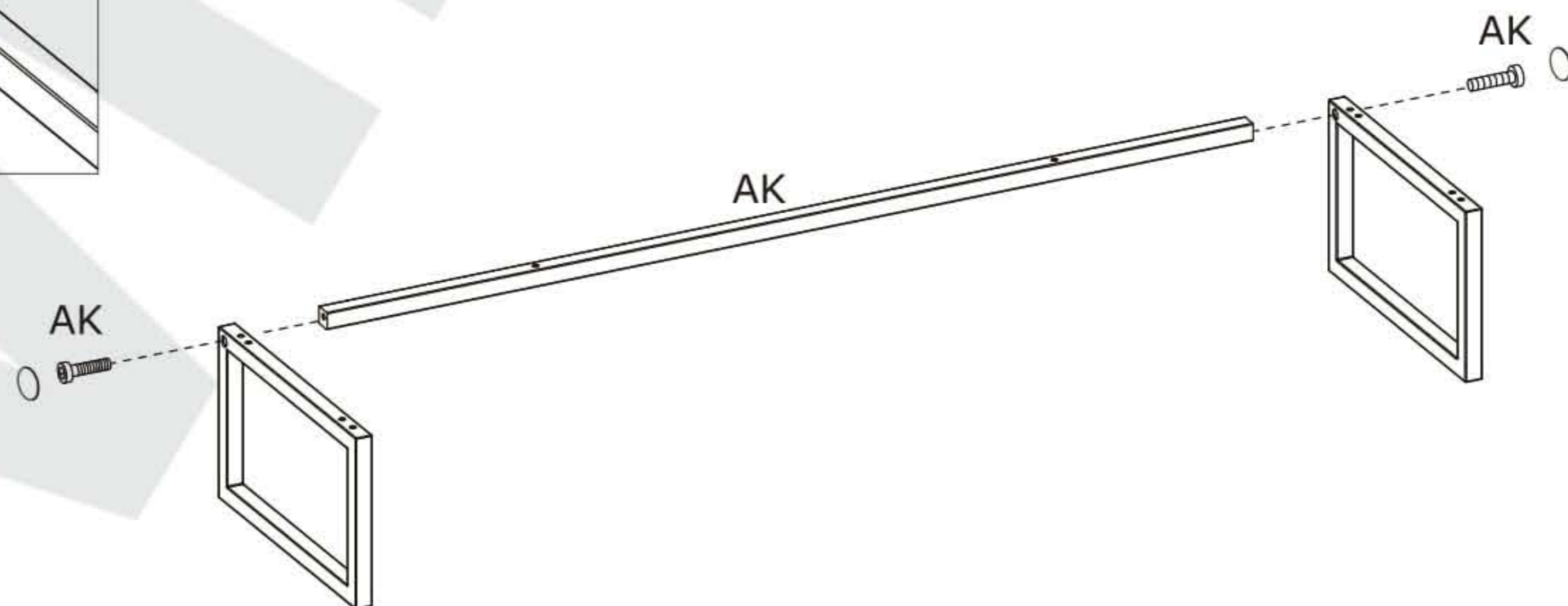
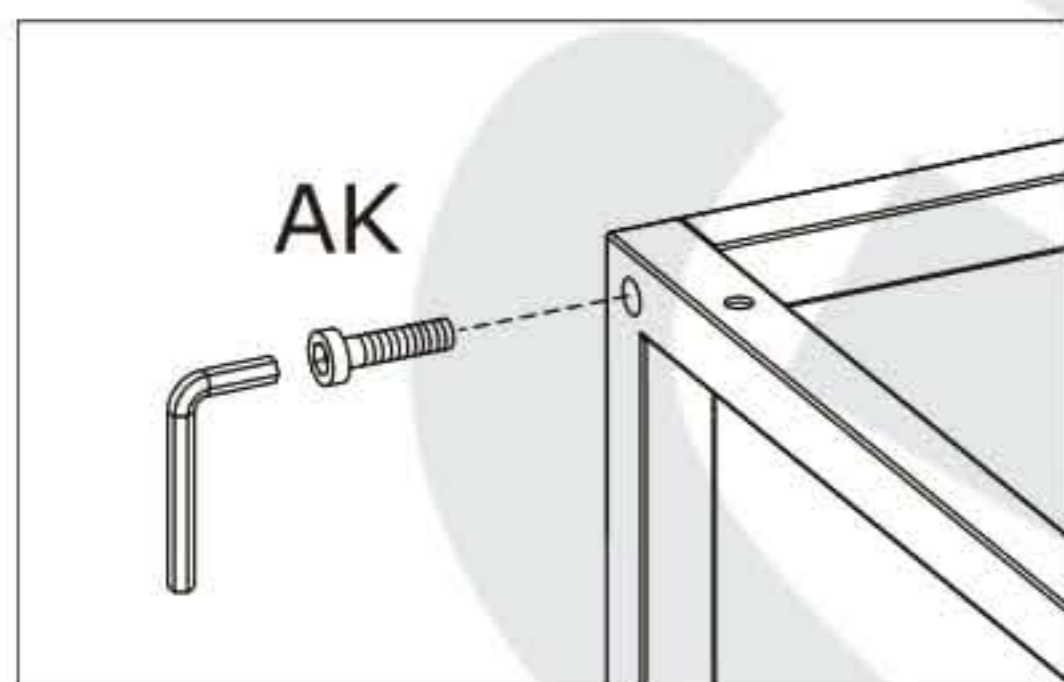
4

<p>B x 8</p>  <p>Ø7x50 mm</p>	<p>E x 1</p>  <p>4 mm</p>	
--	--	--



5

<p>AK x1</p>    	
--	--



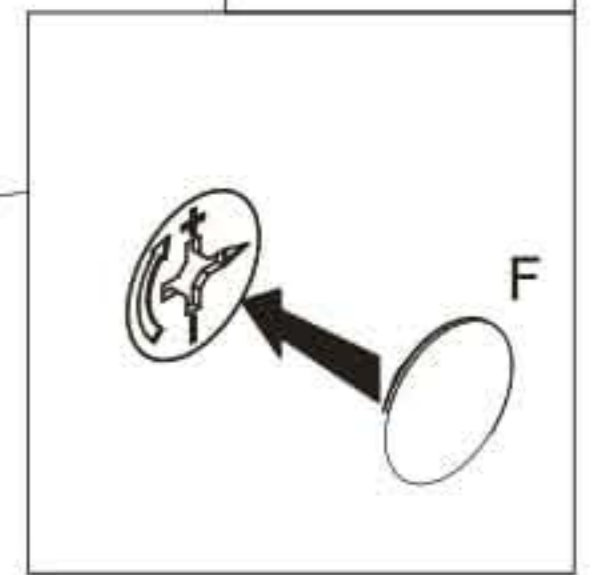
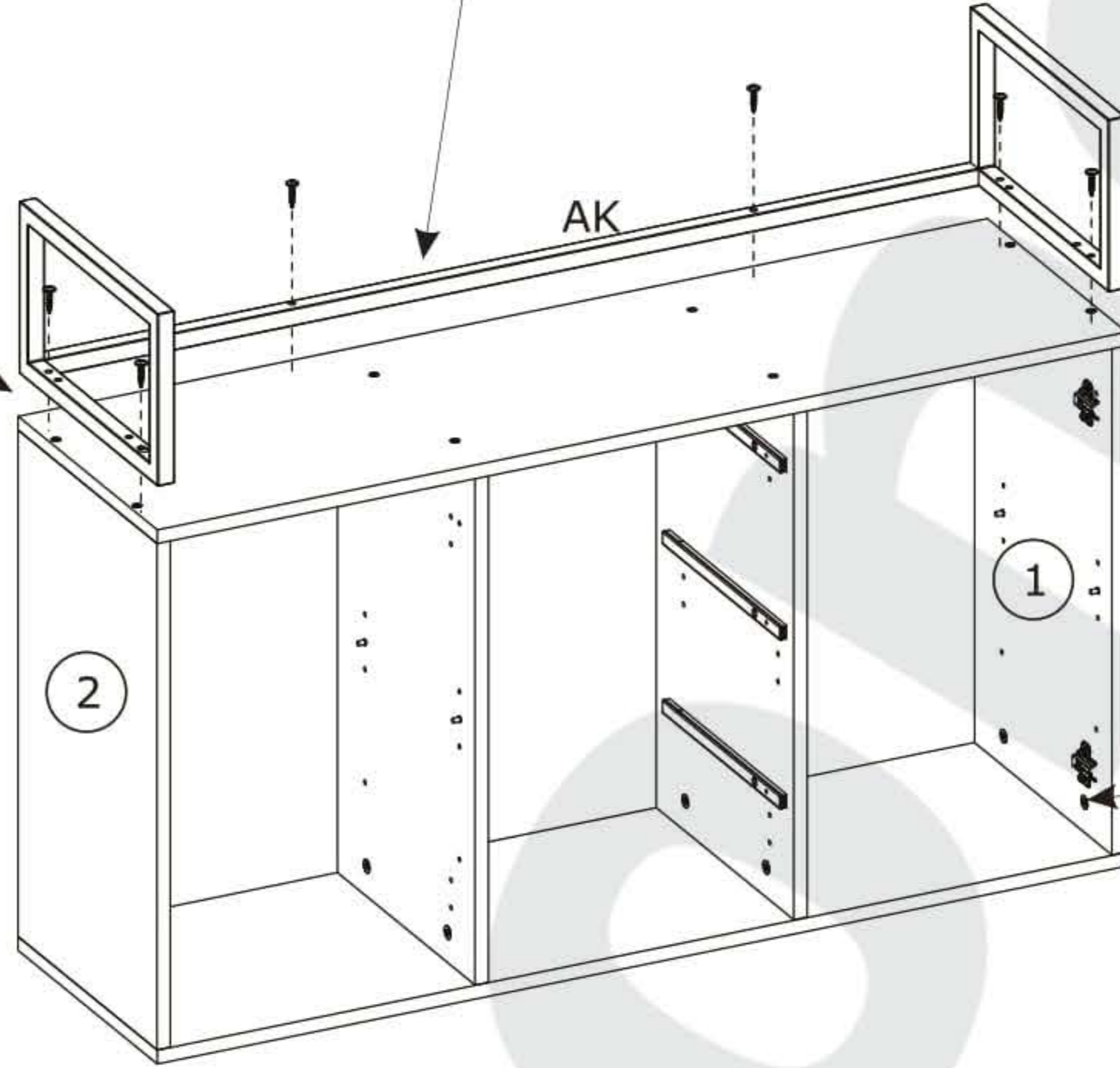
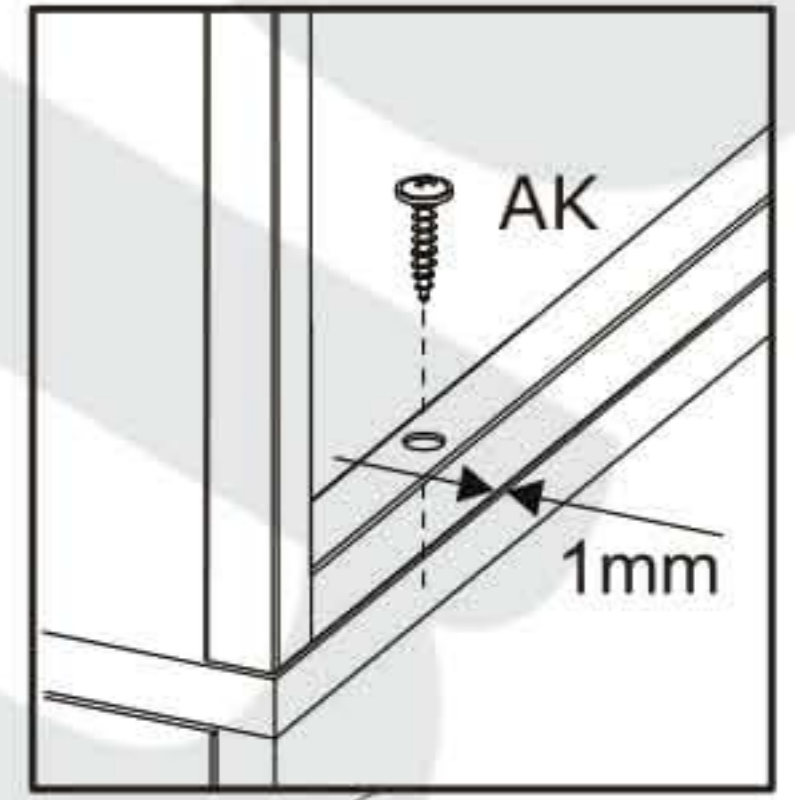
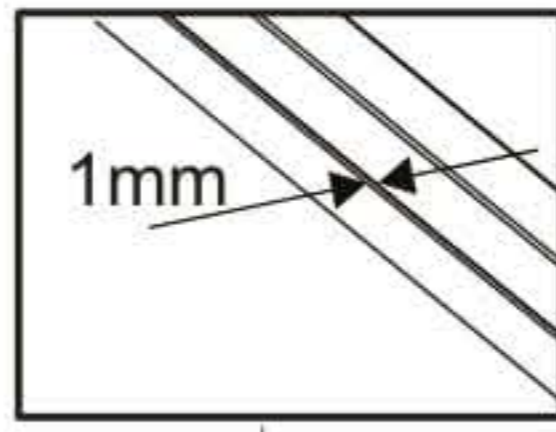
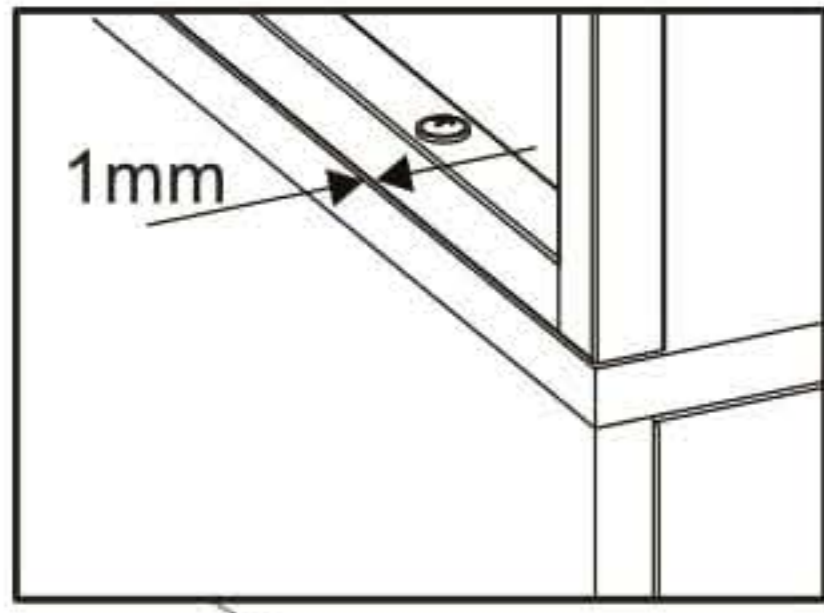
6

F x 8

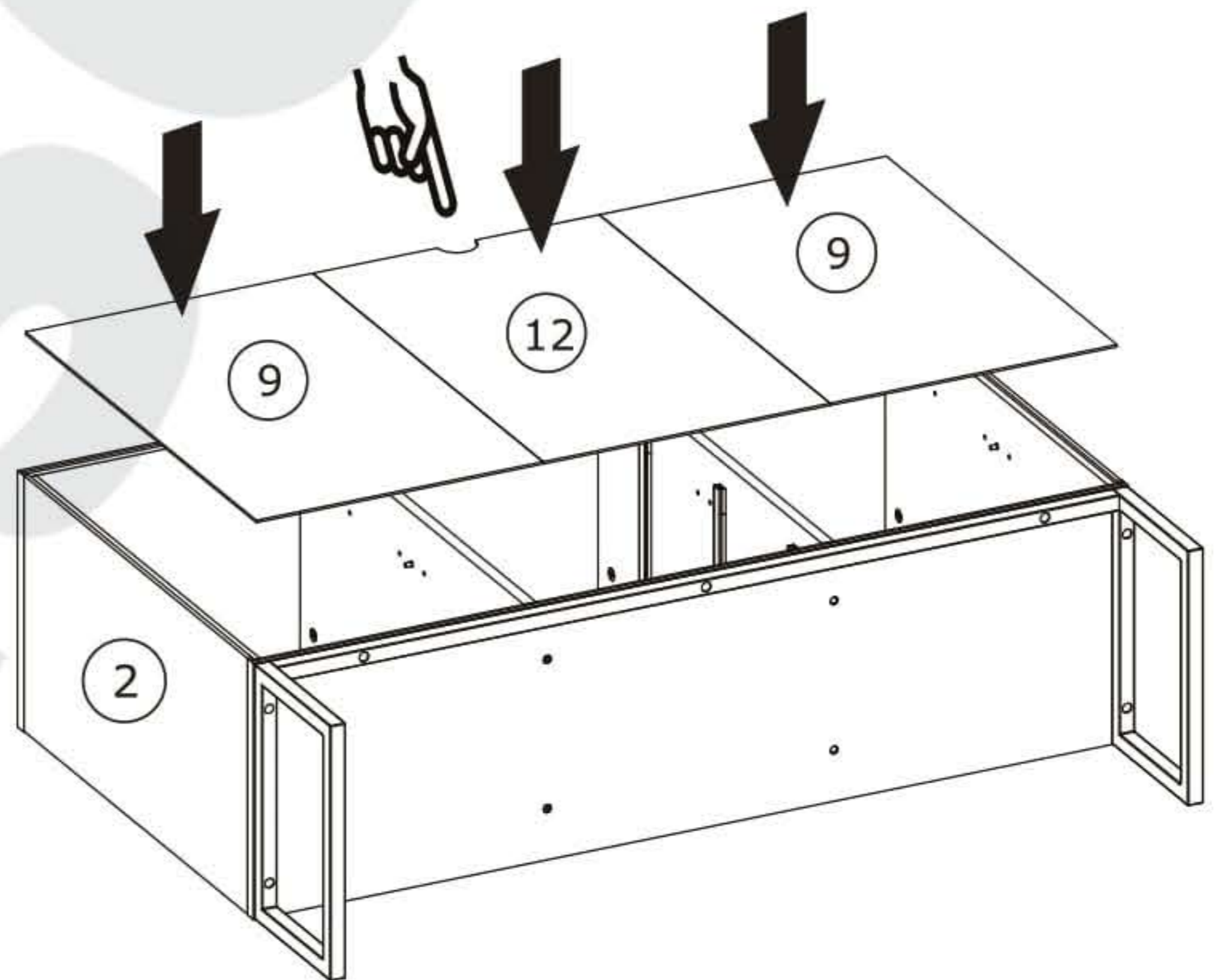


20 mm

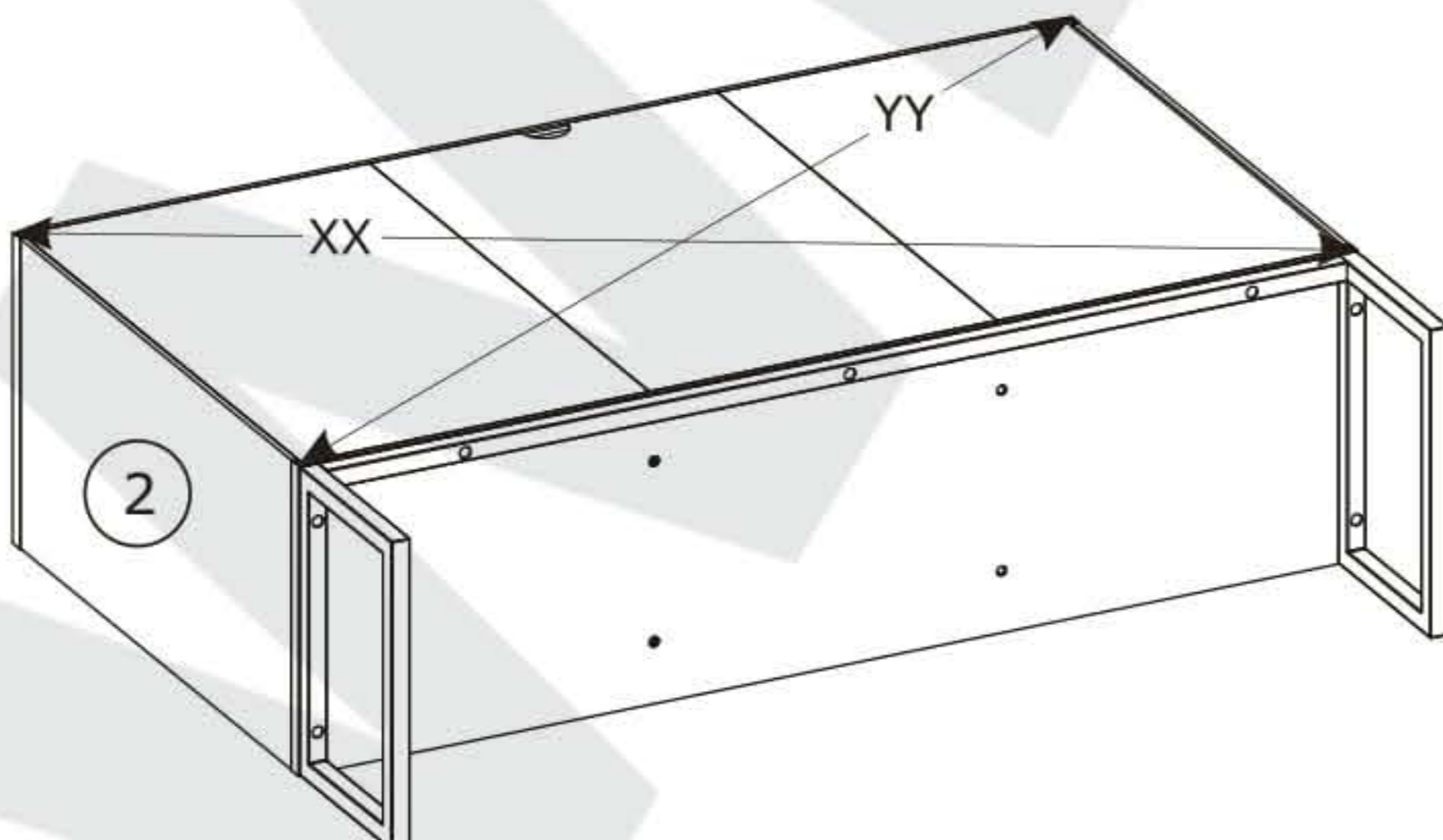
AK x1





7

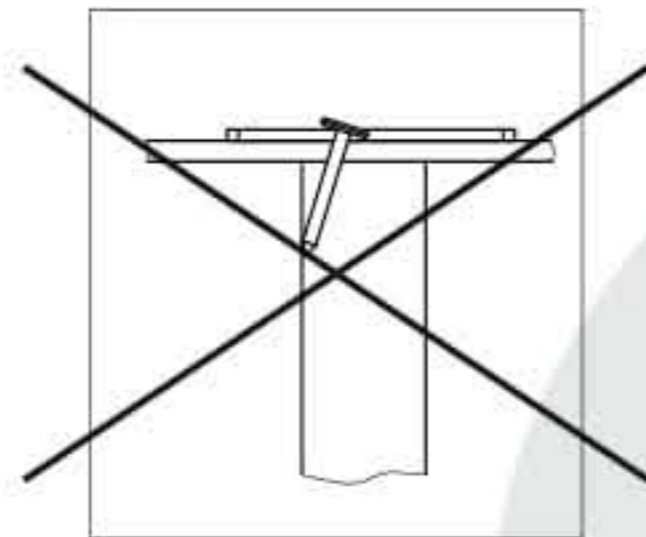
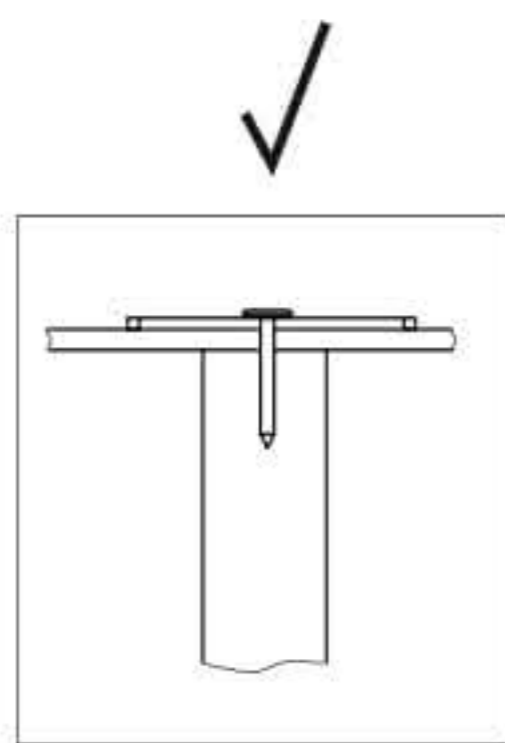
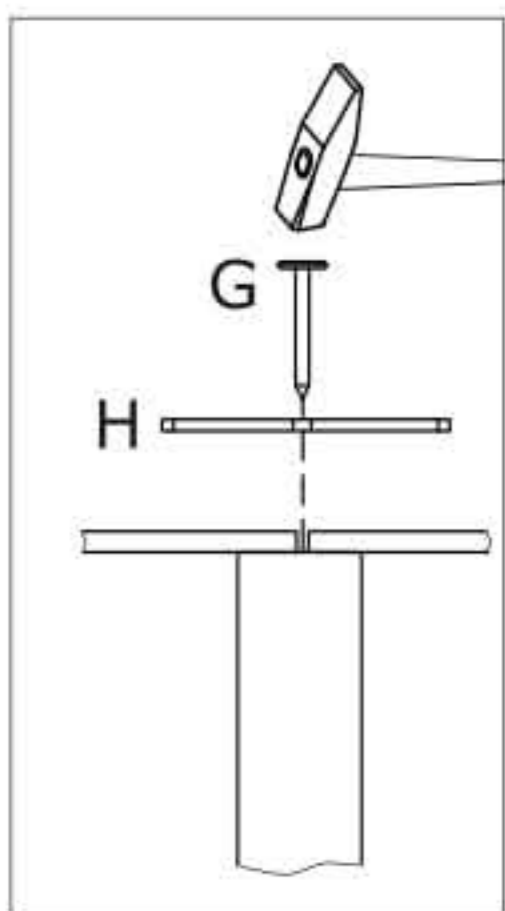
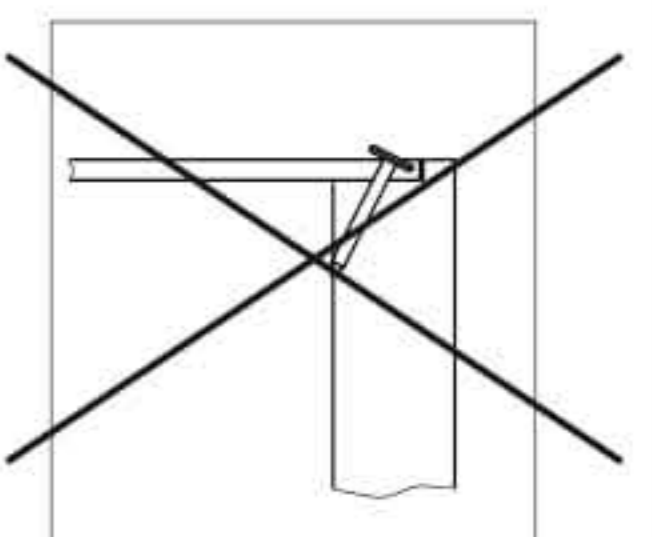
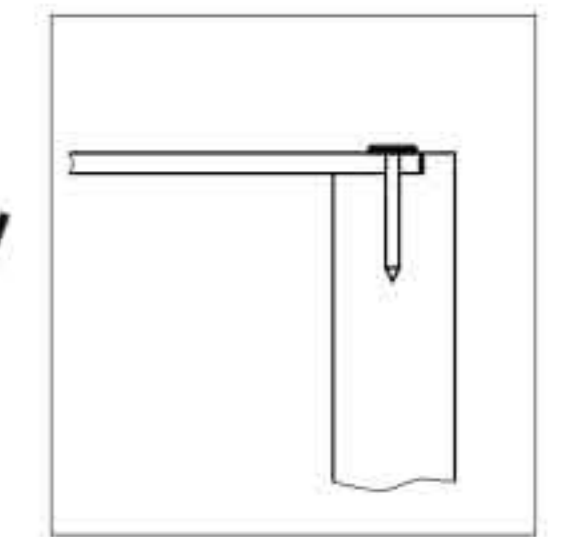
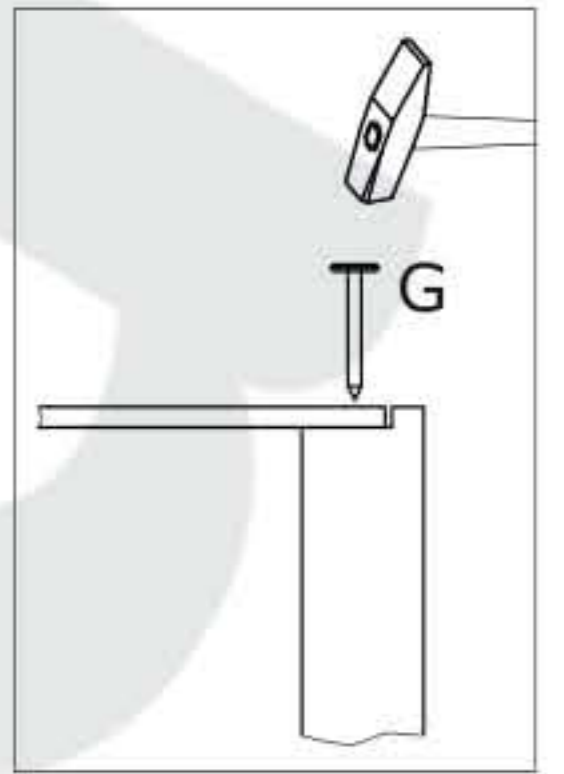
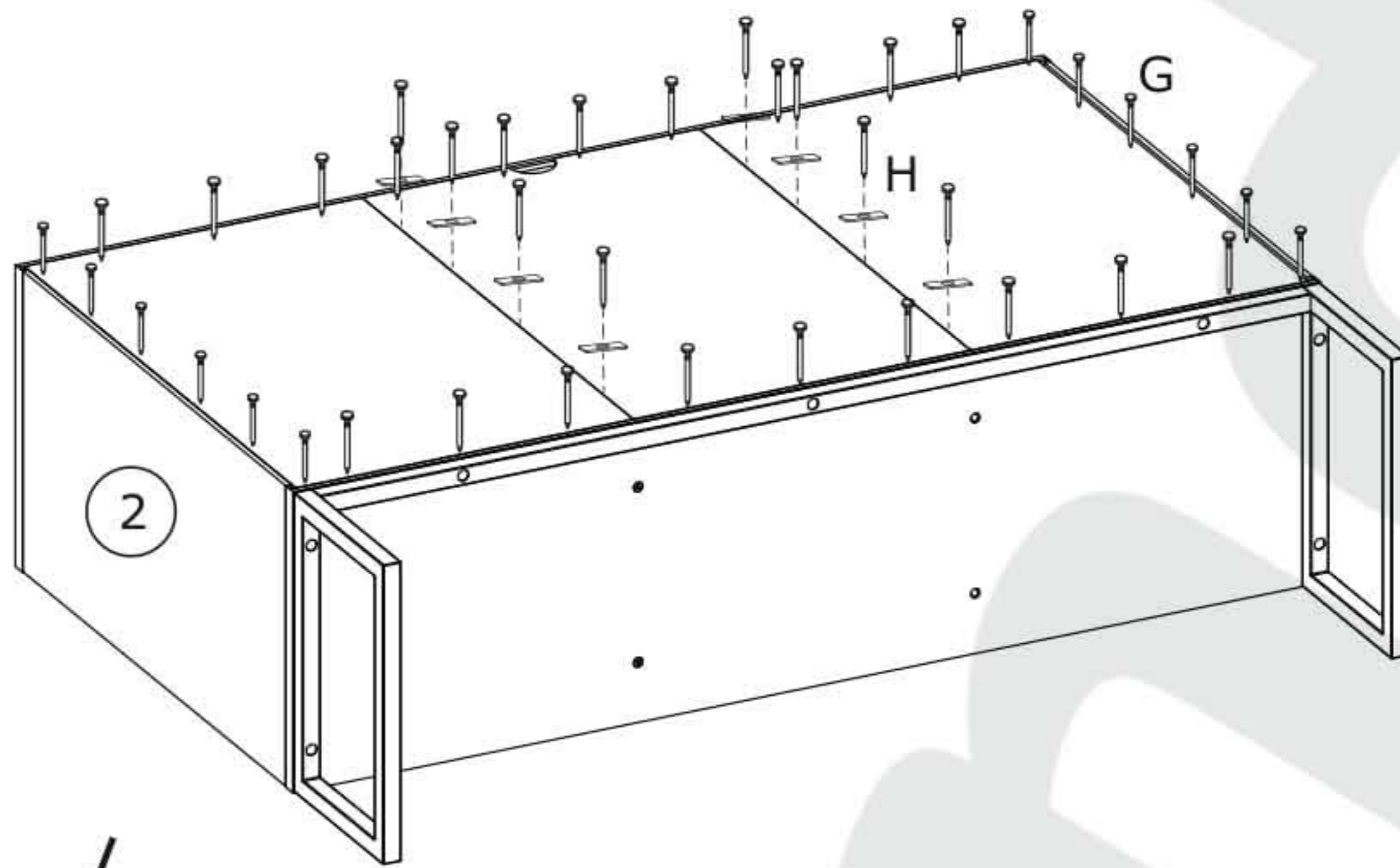


$XX = YY \equiv 90^\circ$



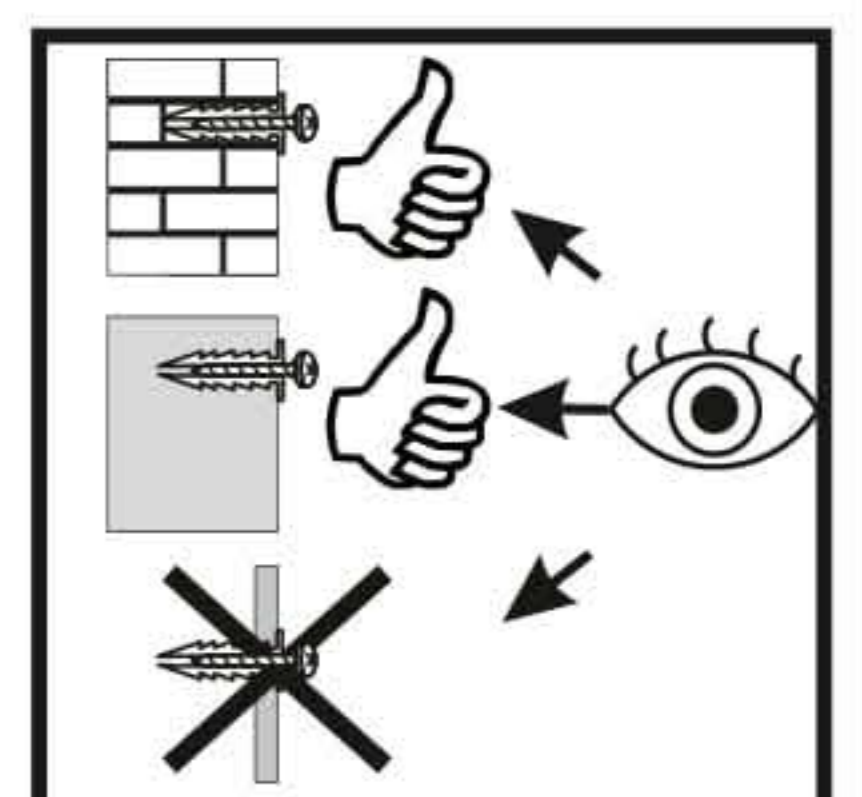
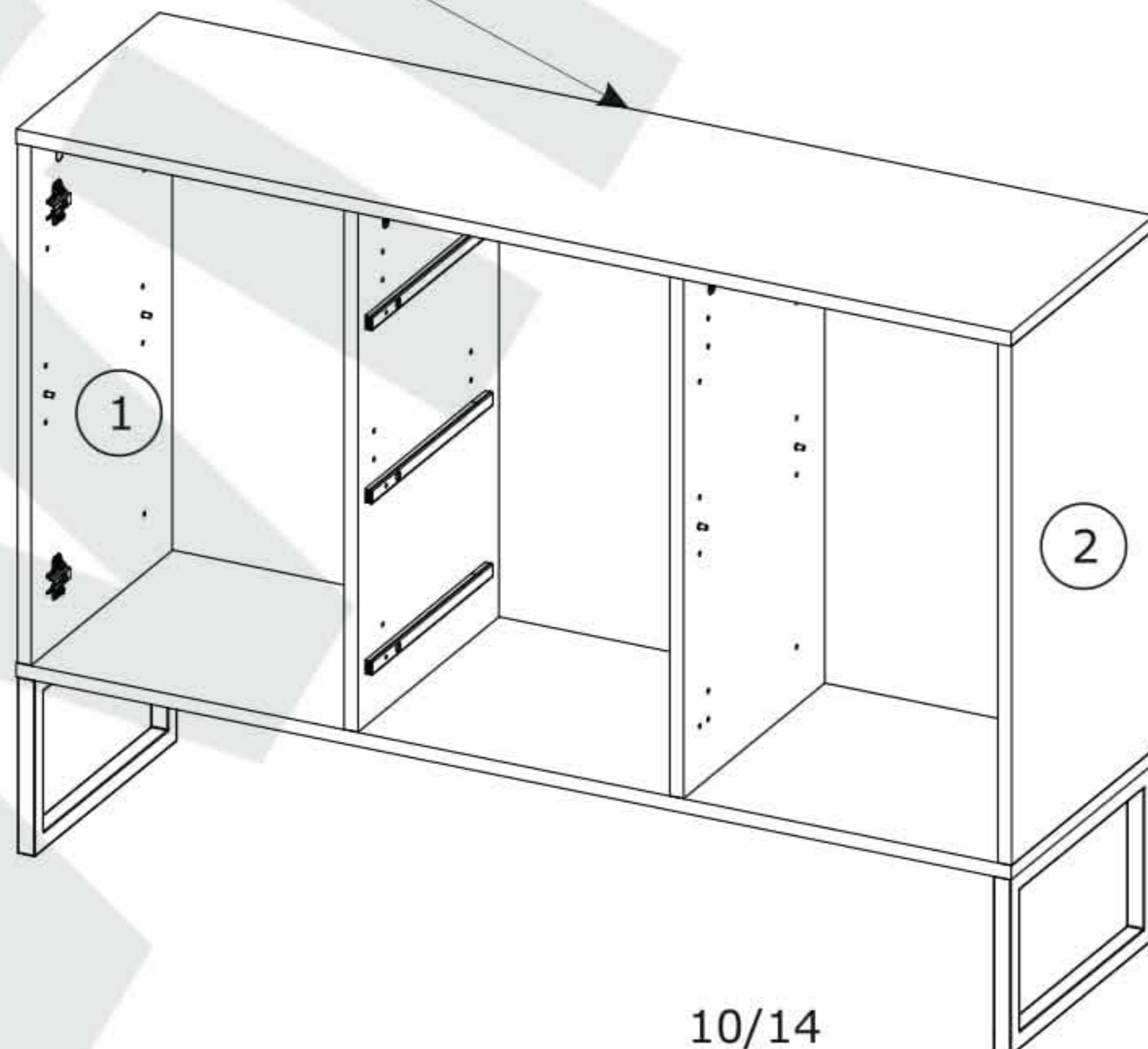
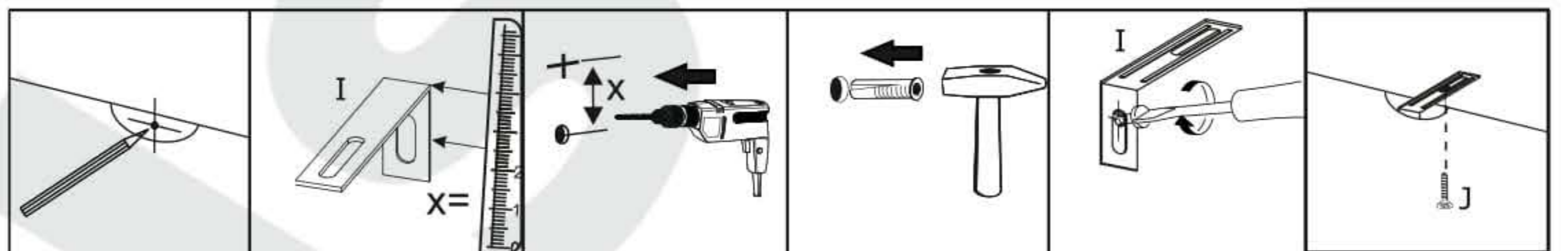
8

$G \times 40$  1.2x25 mm	$H \times 8$  22x9x2 mm	
---	--	---

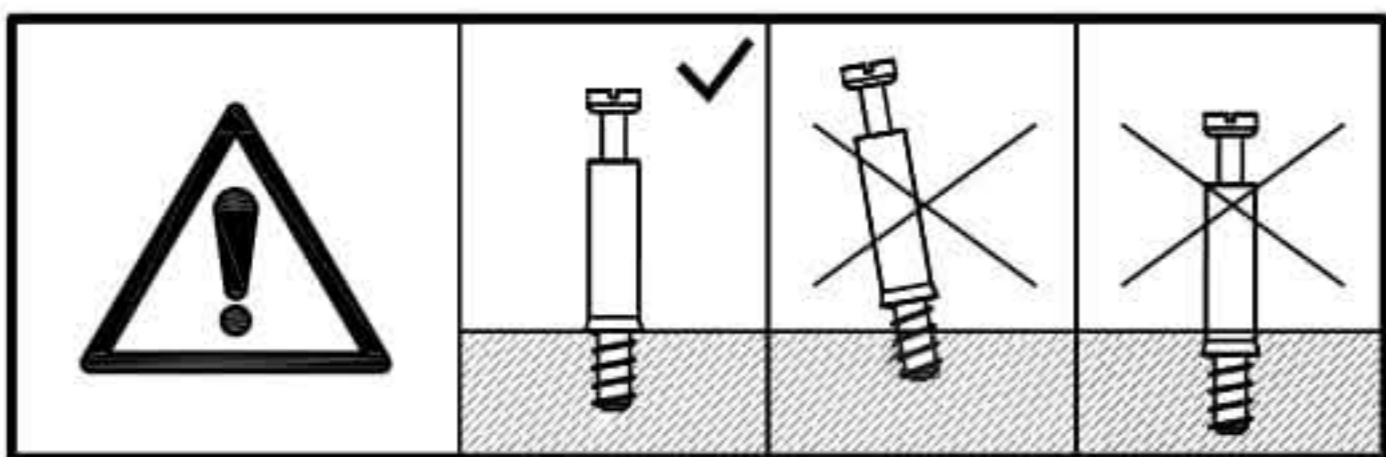
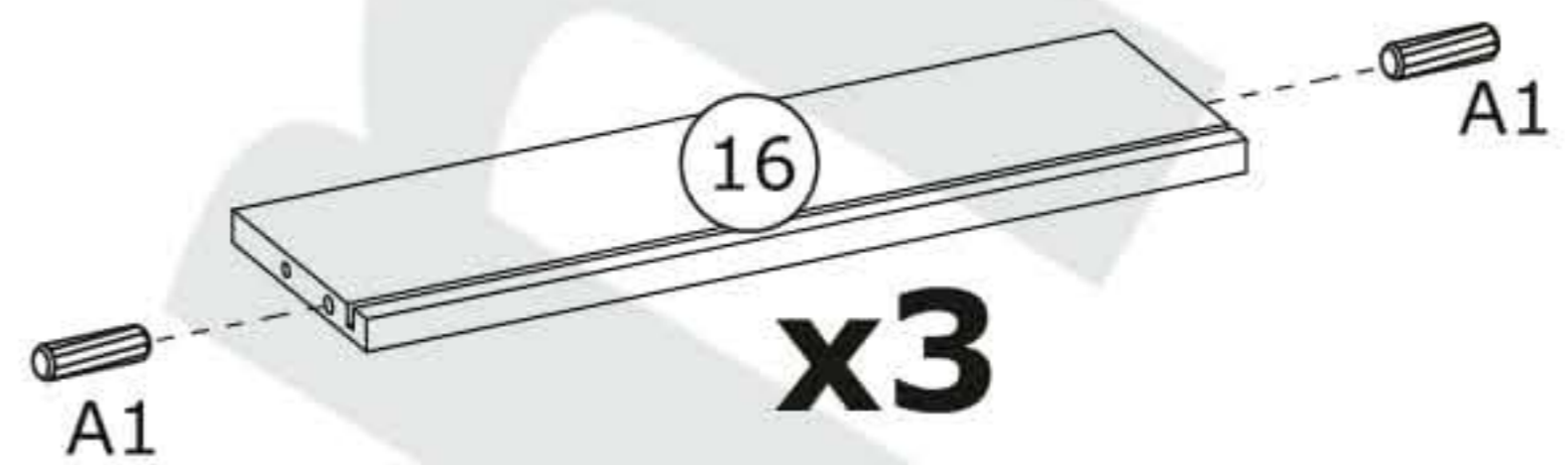
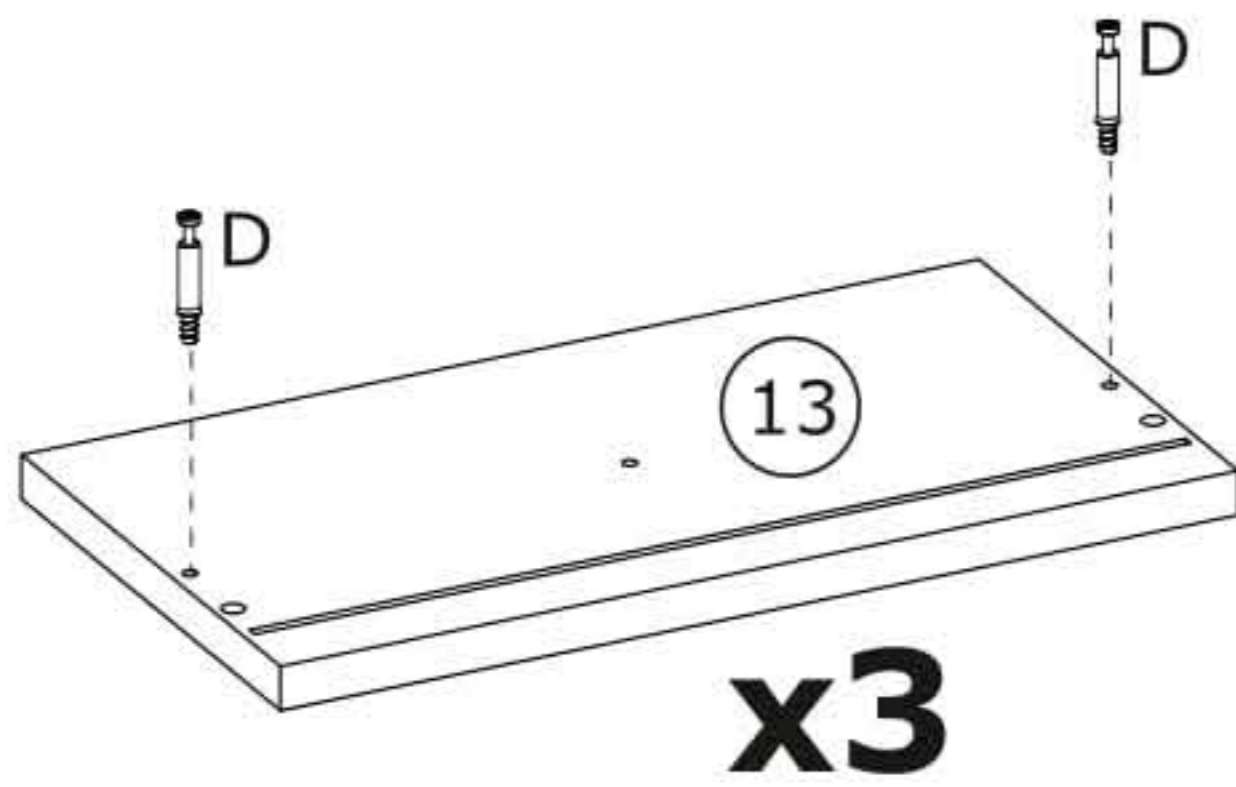


9

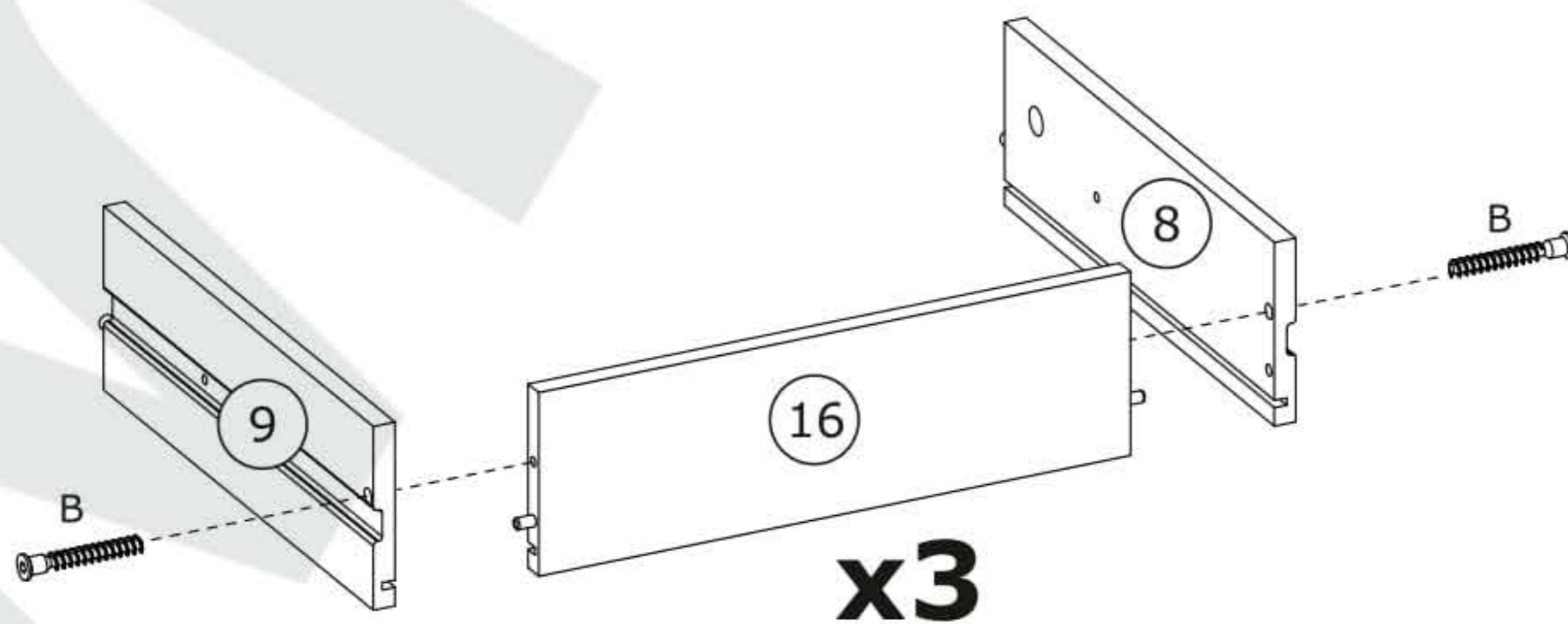
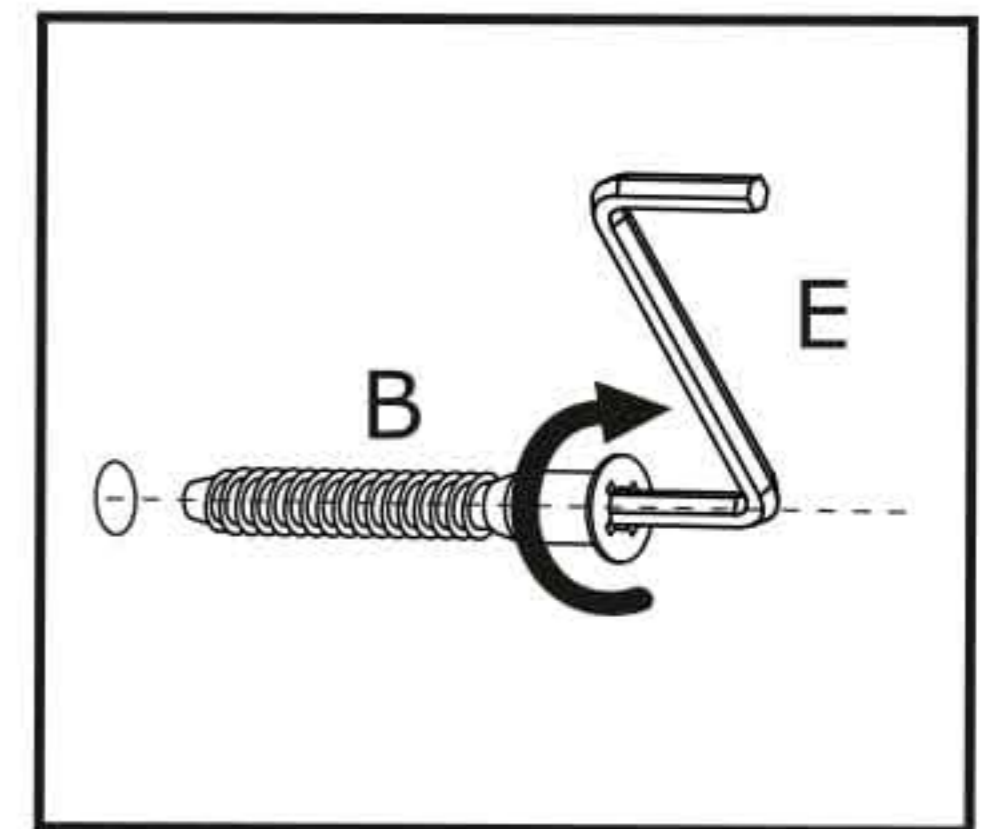
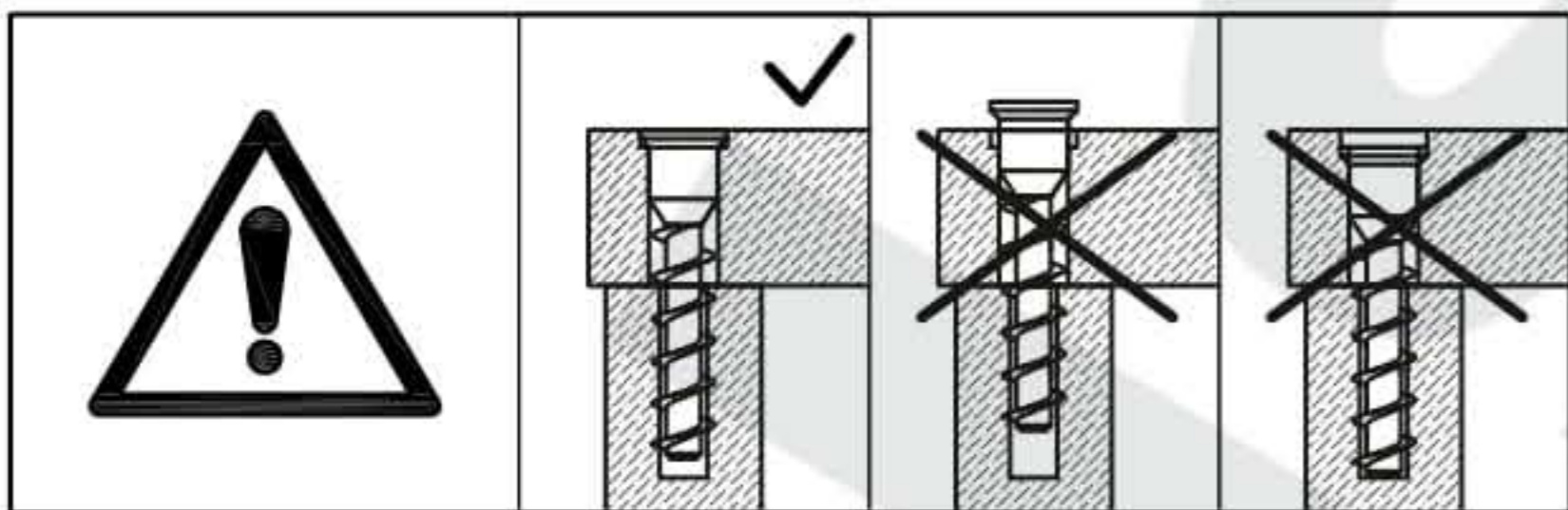
$I \times 1$ 	$J \times 1$  3,5x16 mm	
---	--	---



10



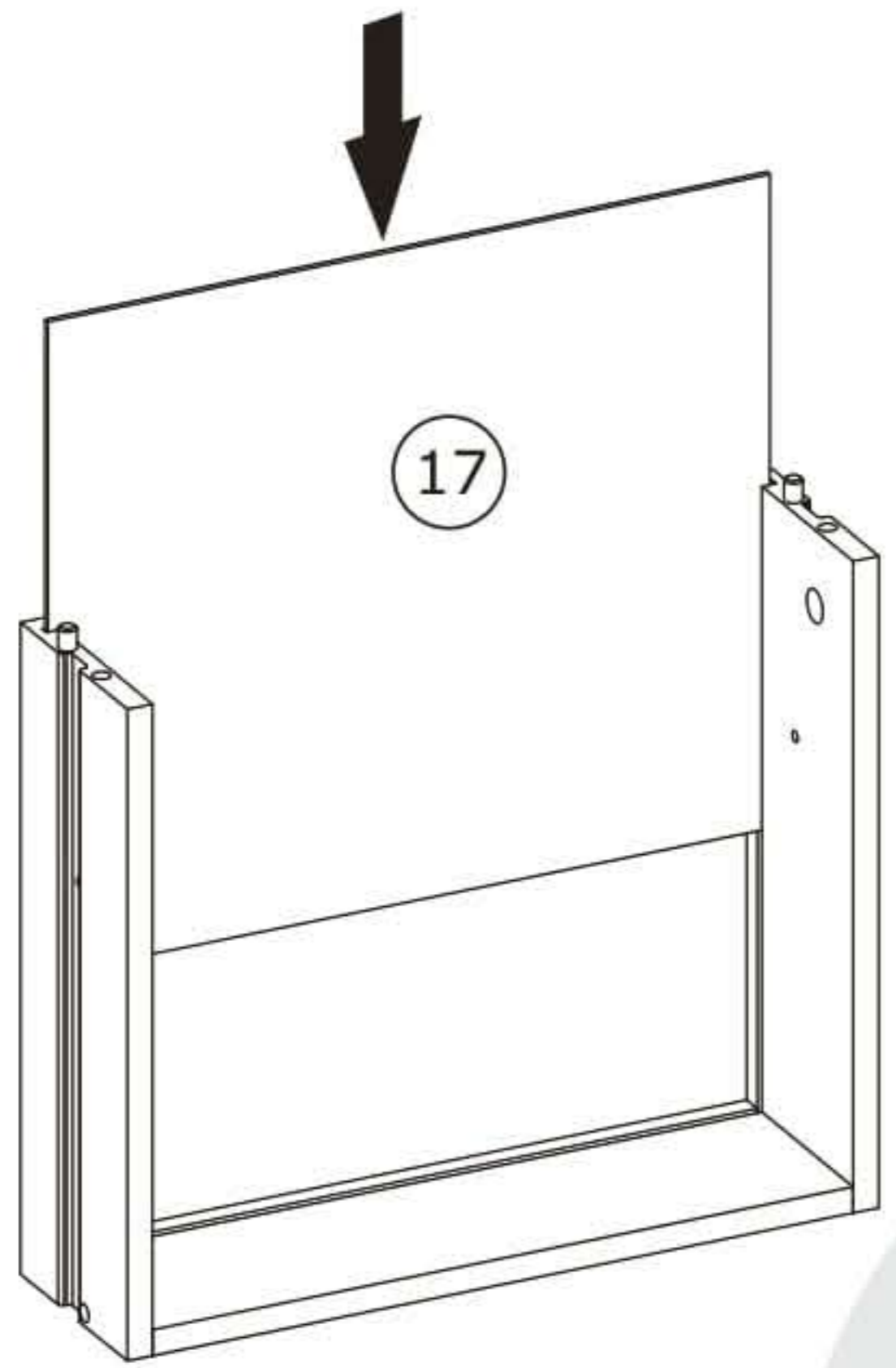
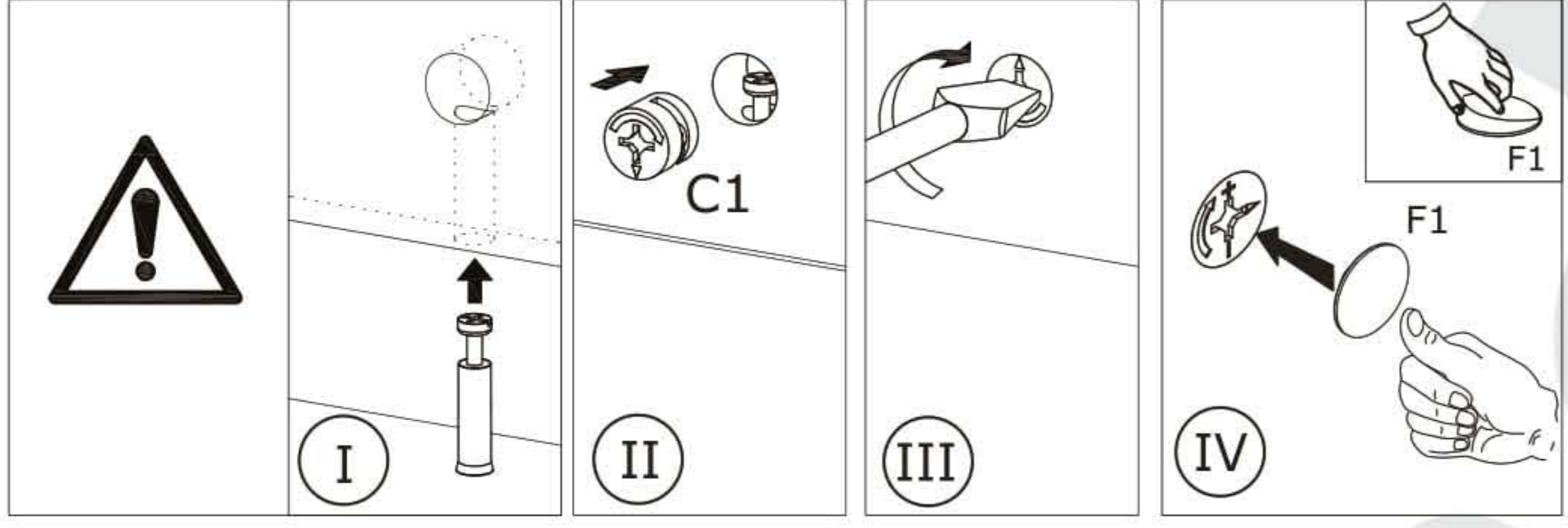
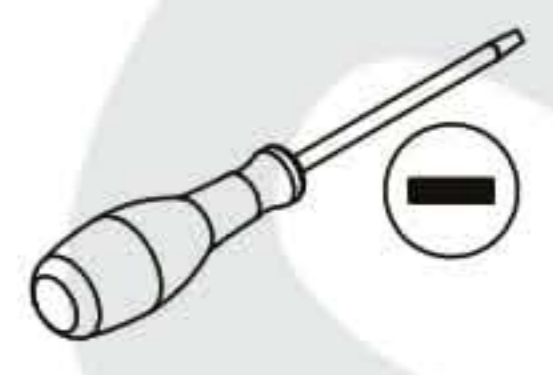
11



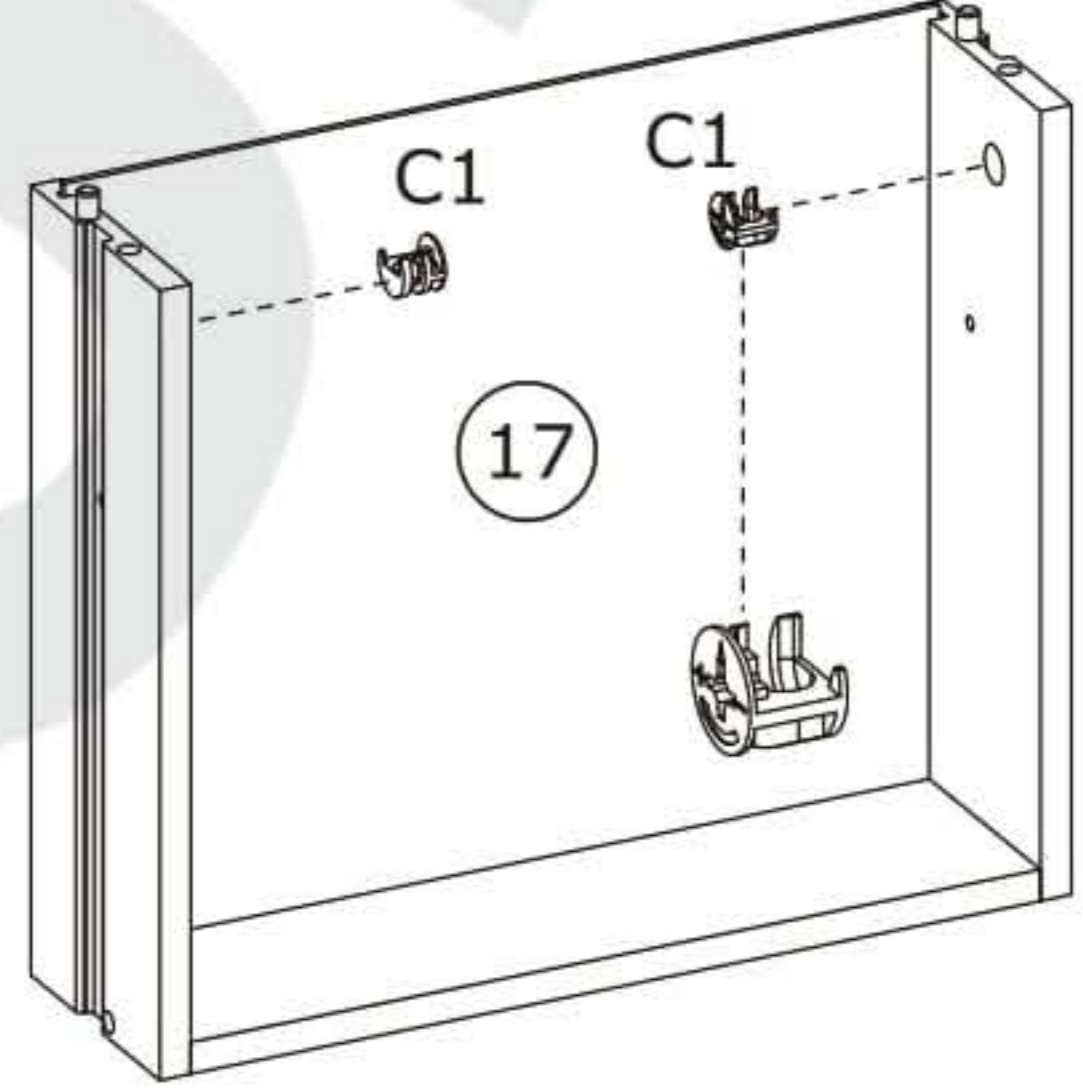
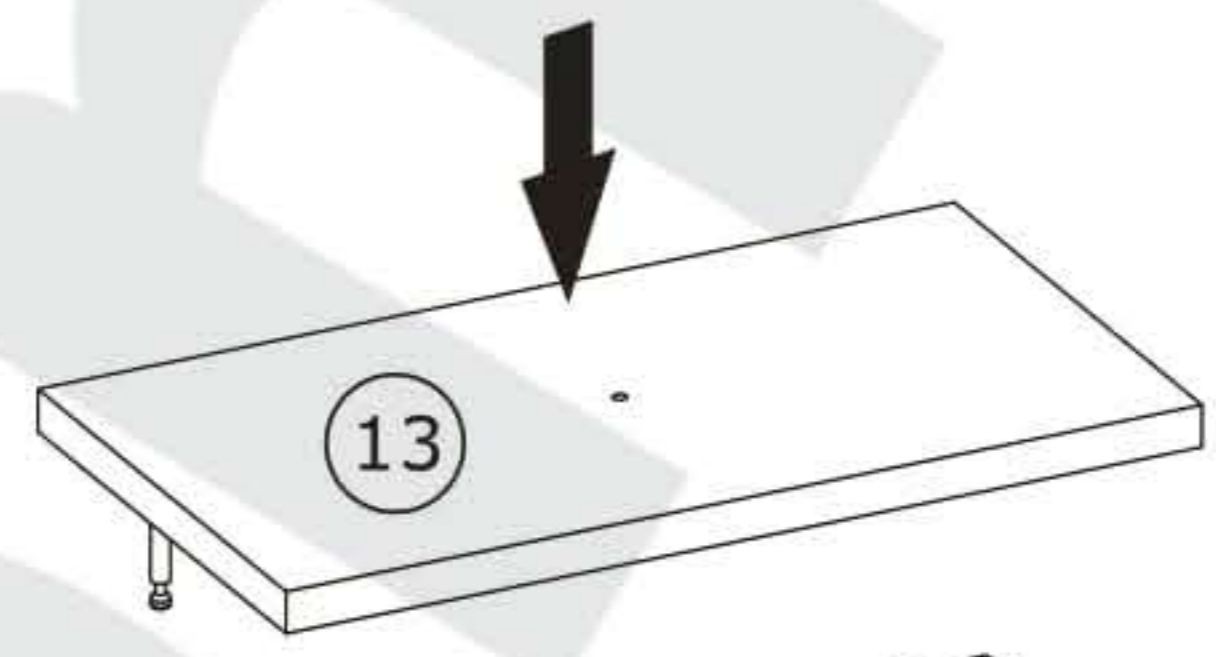
12

C1 x 6
Ø12x10 mm

F1 x 6
20 mm



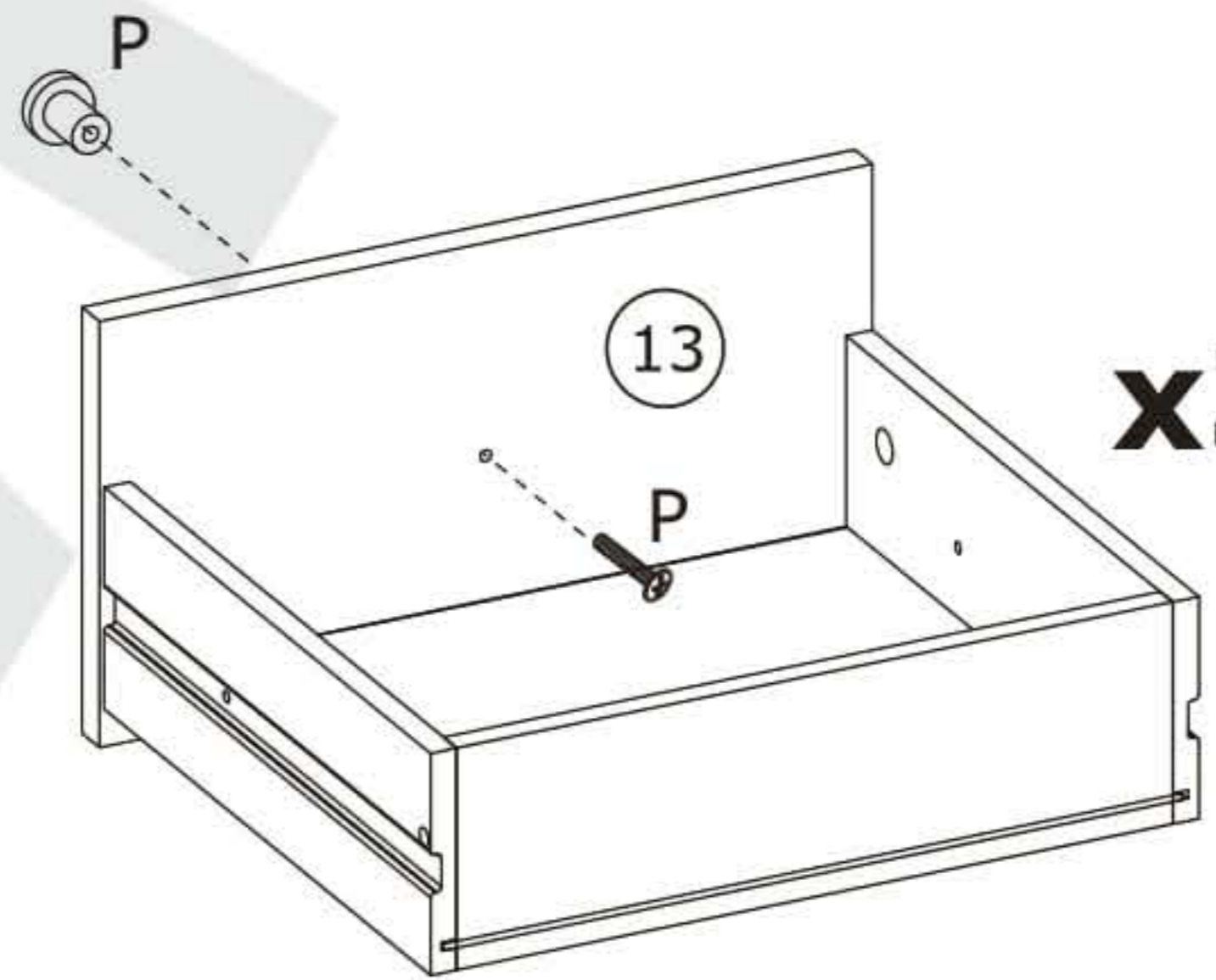
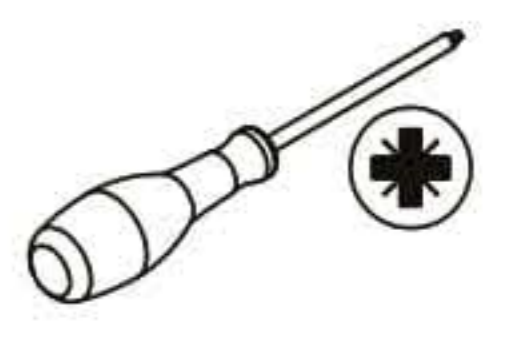
x3



x3

13

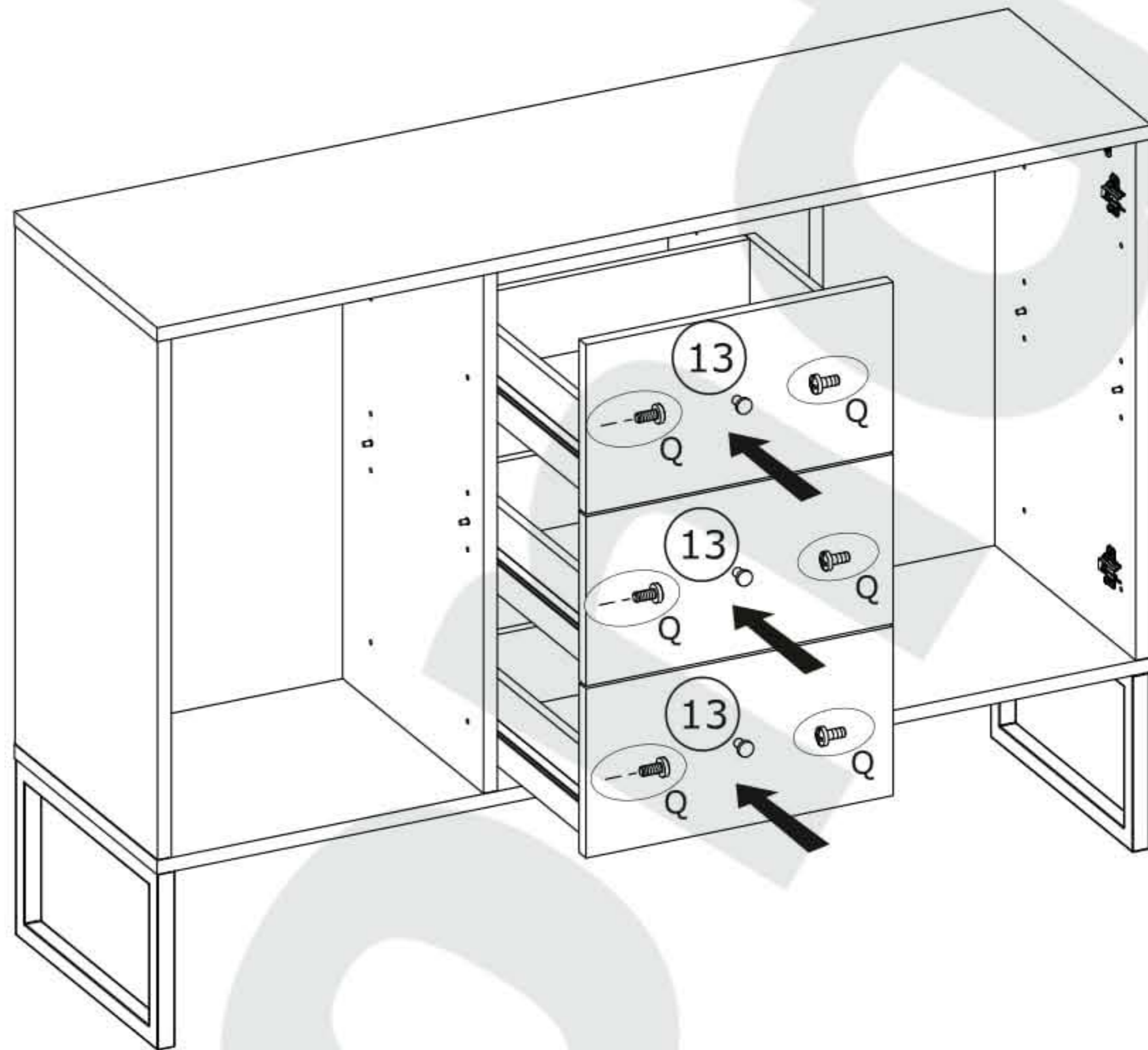
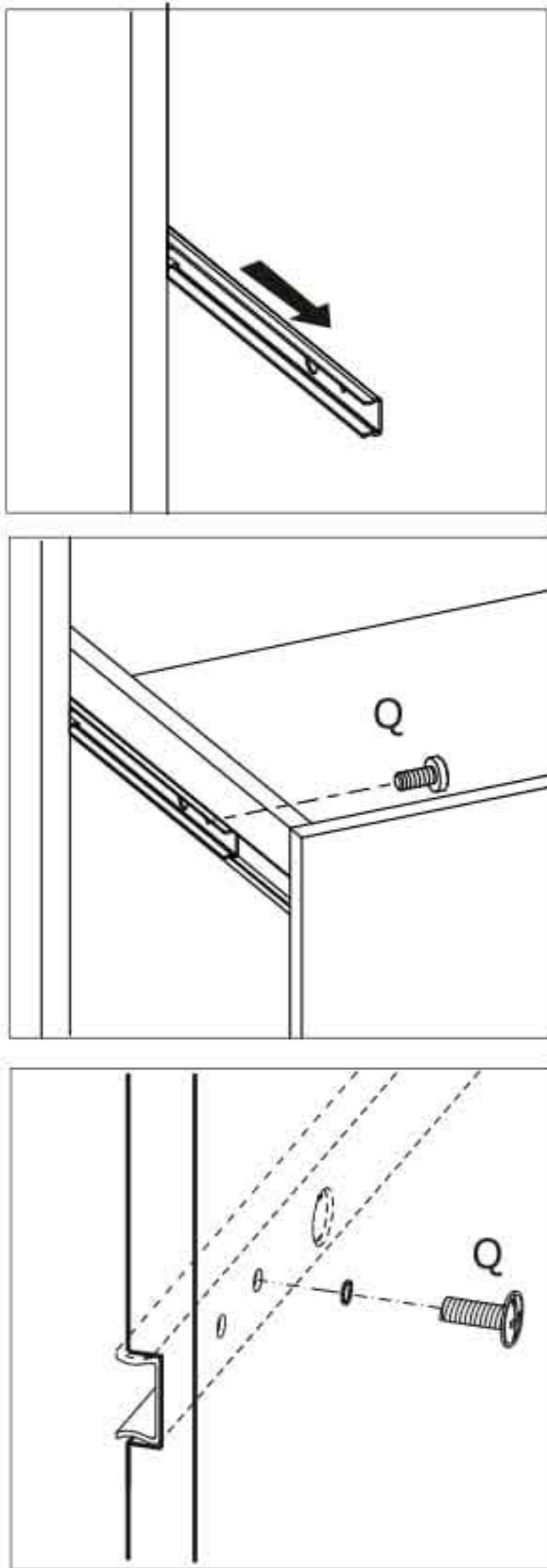
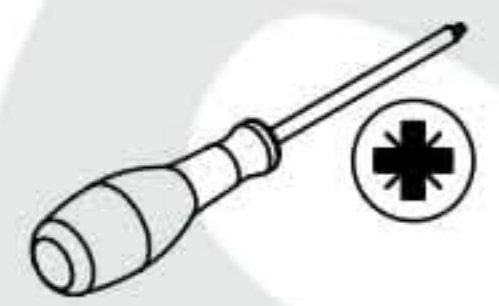
P x 3



x3

14

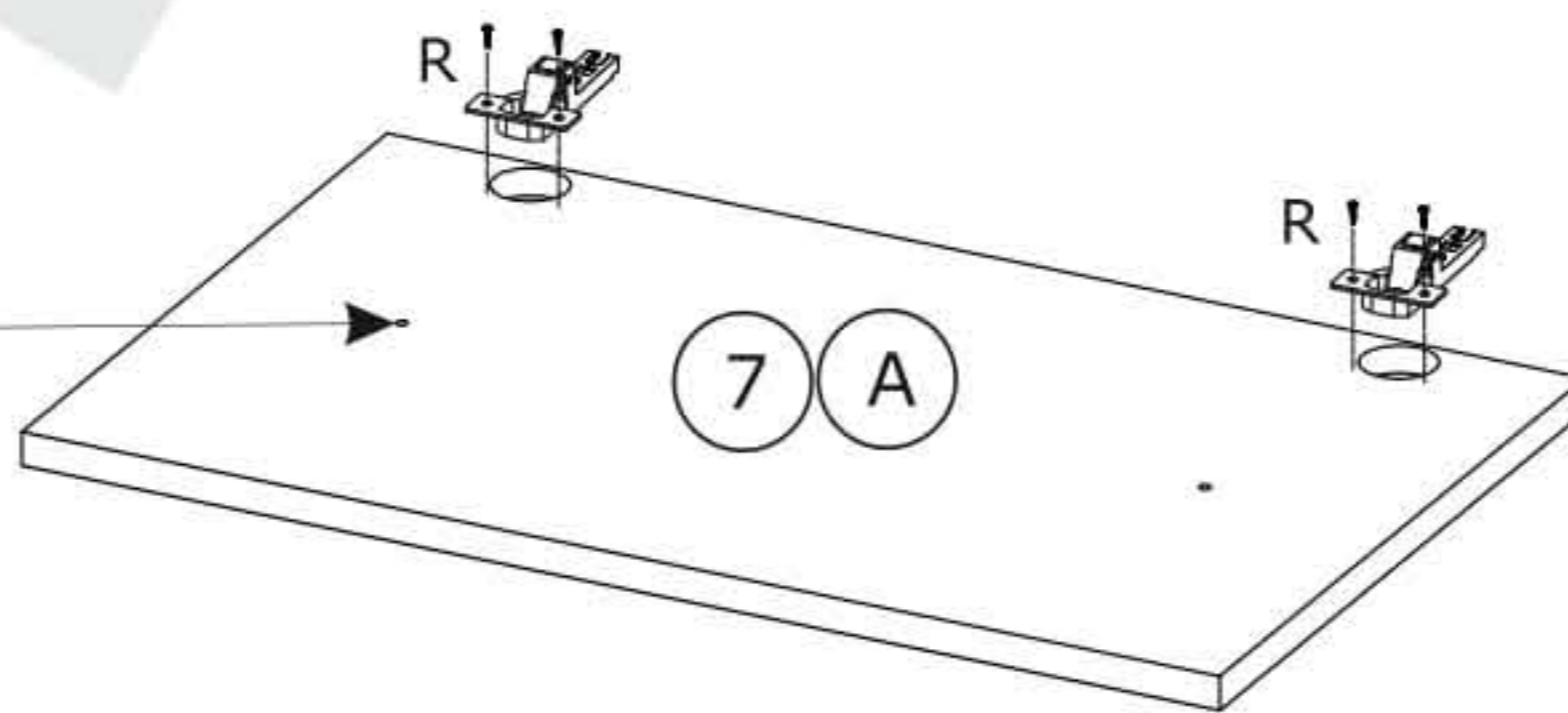
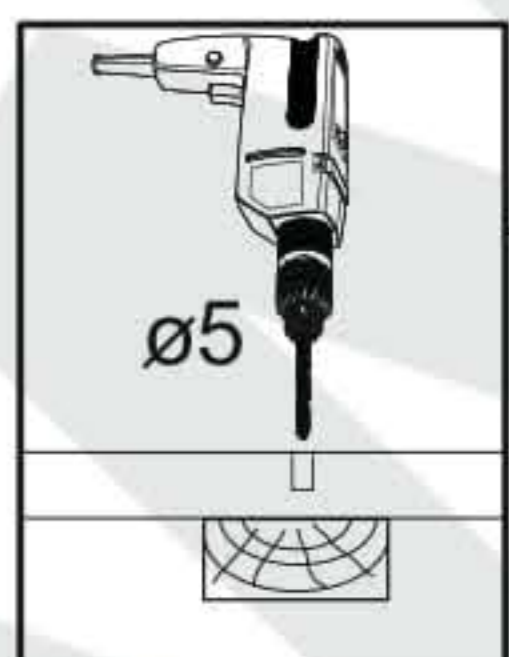
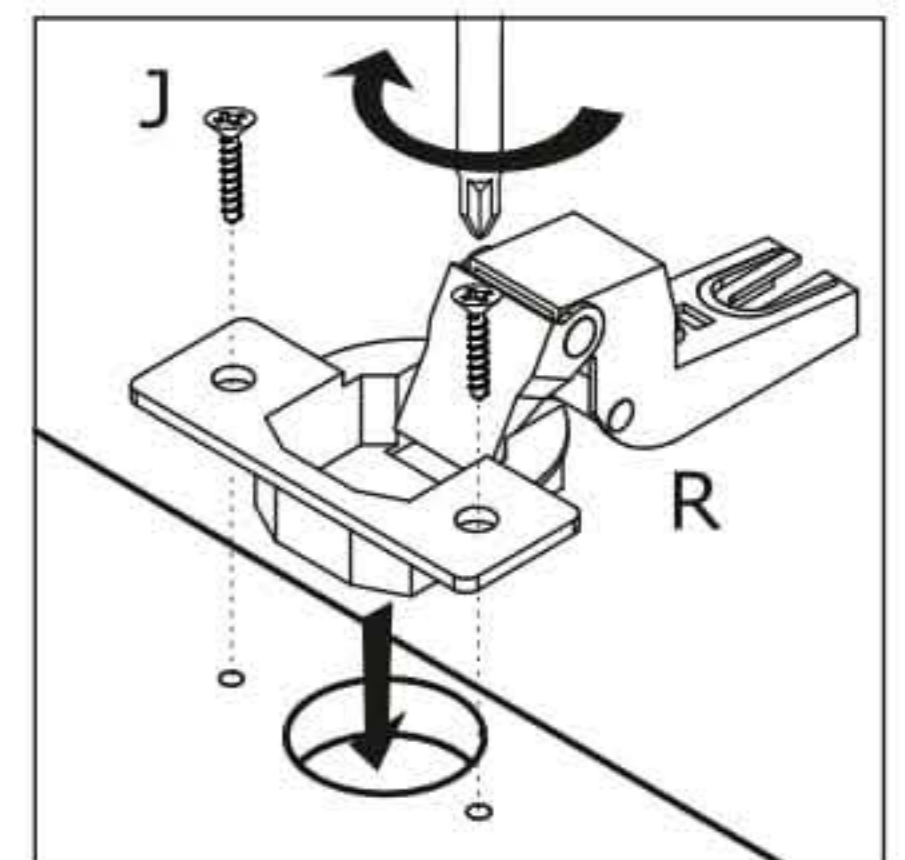
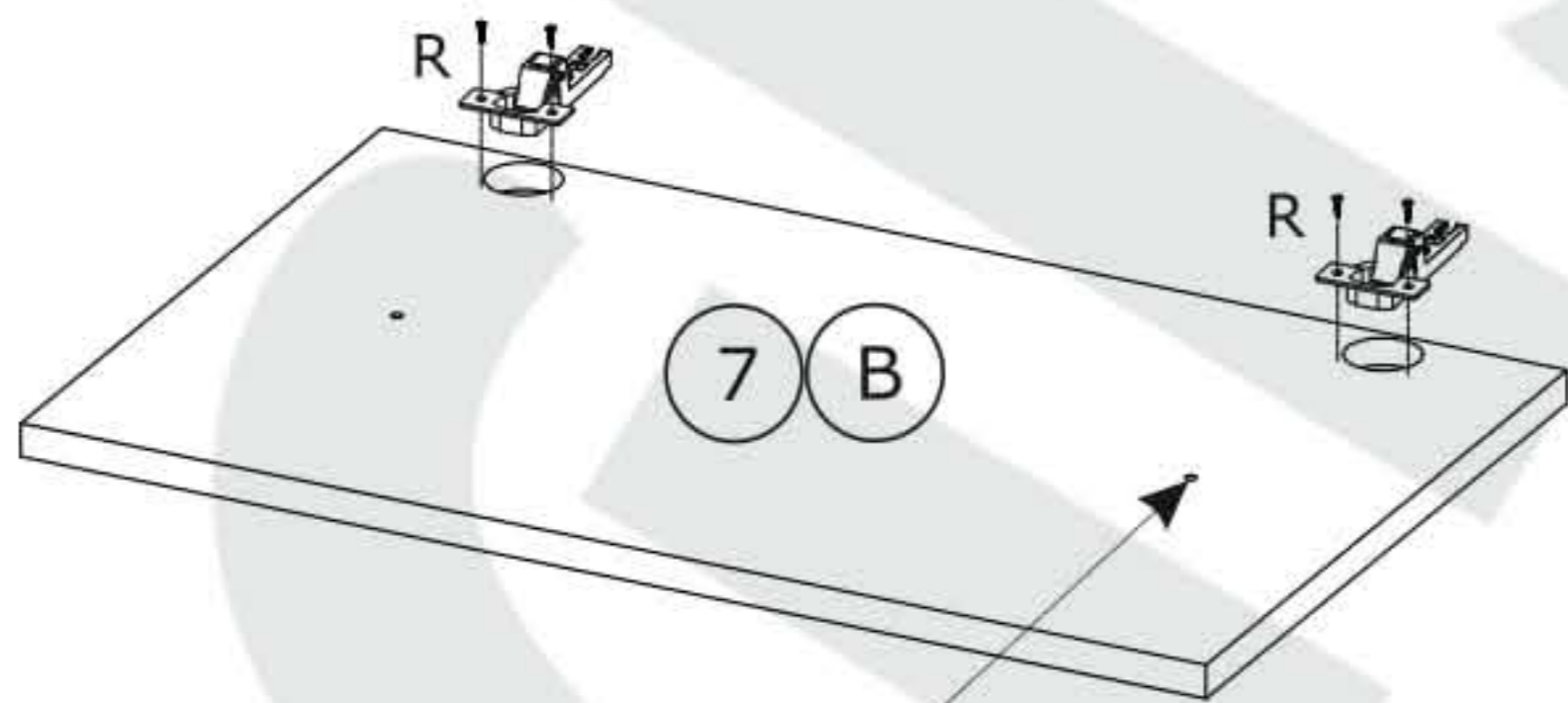
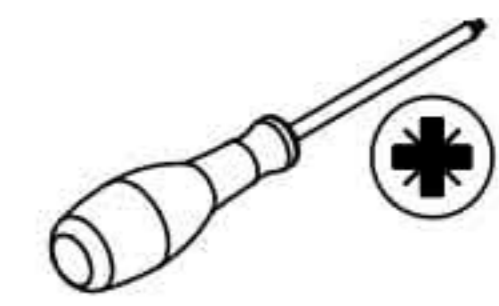
Q x 6
4x9 mm



15

R x 4

J x 8
3,5x16 mm



16

