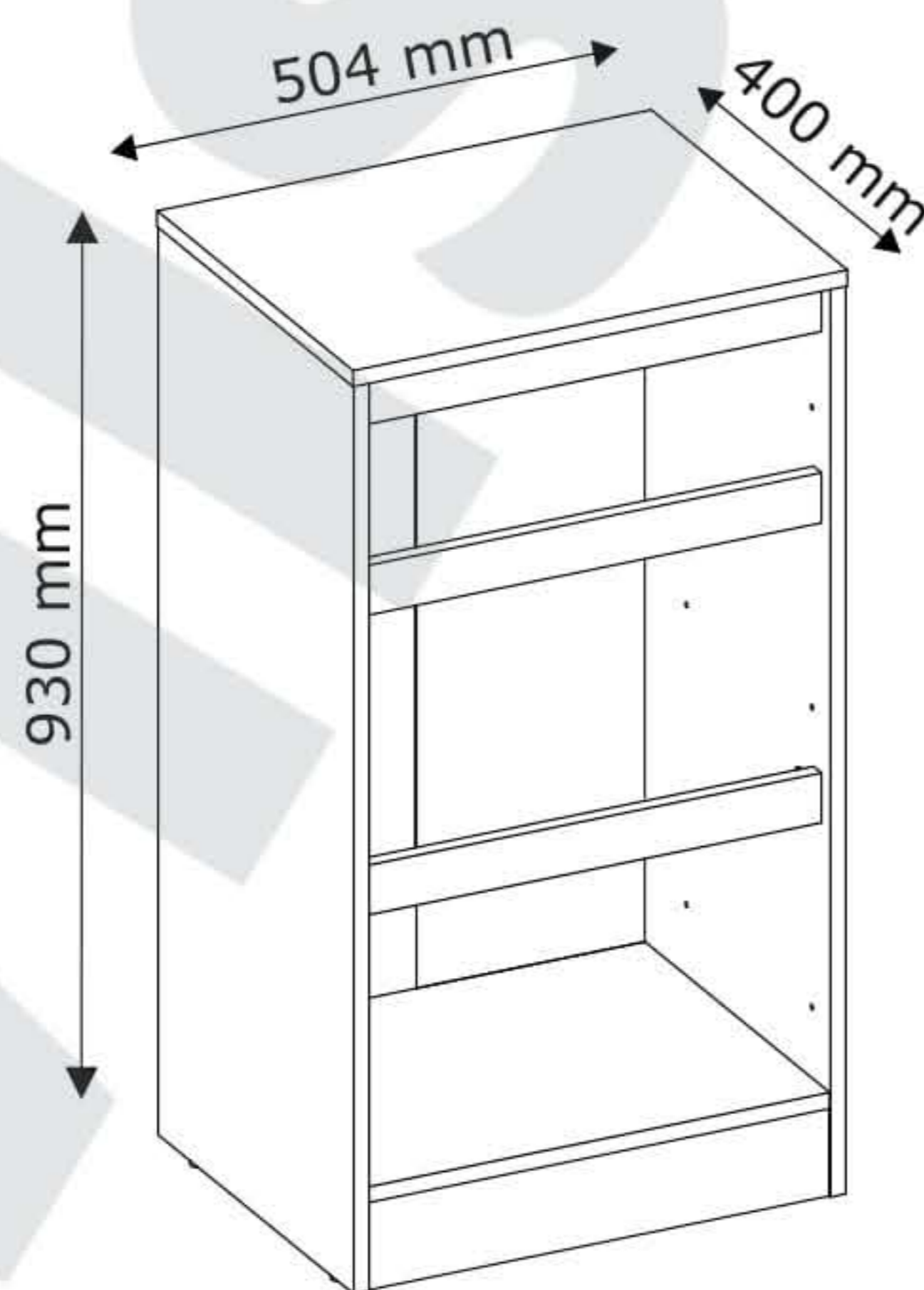
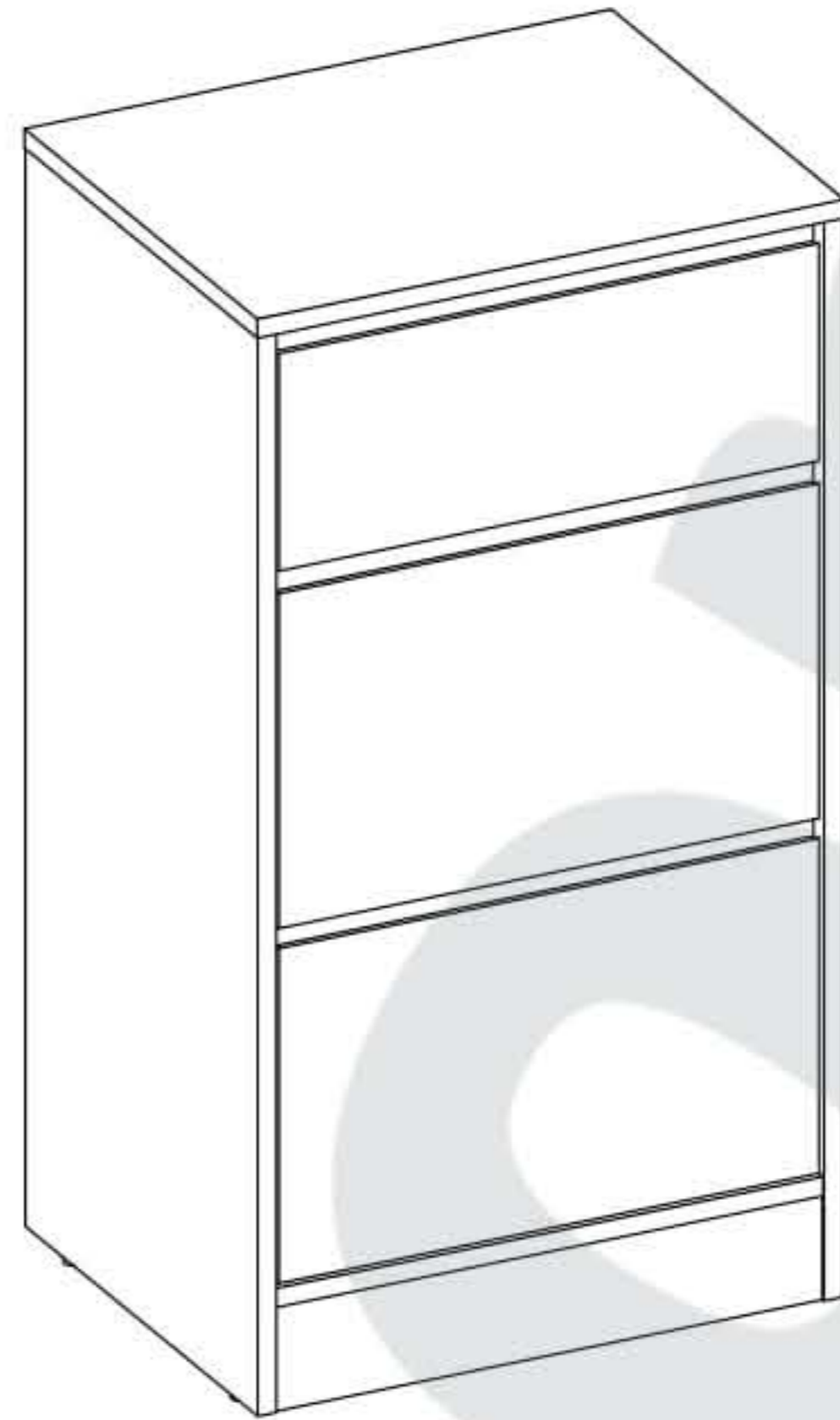
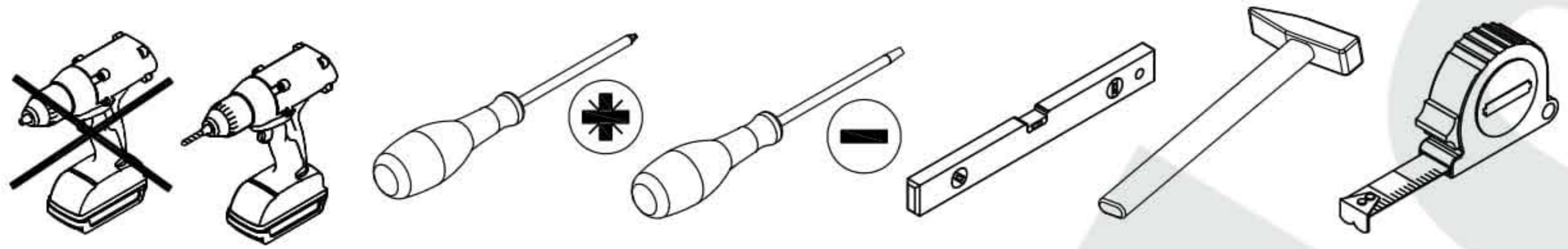


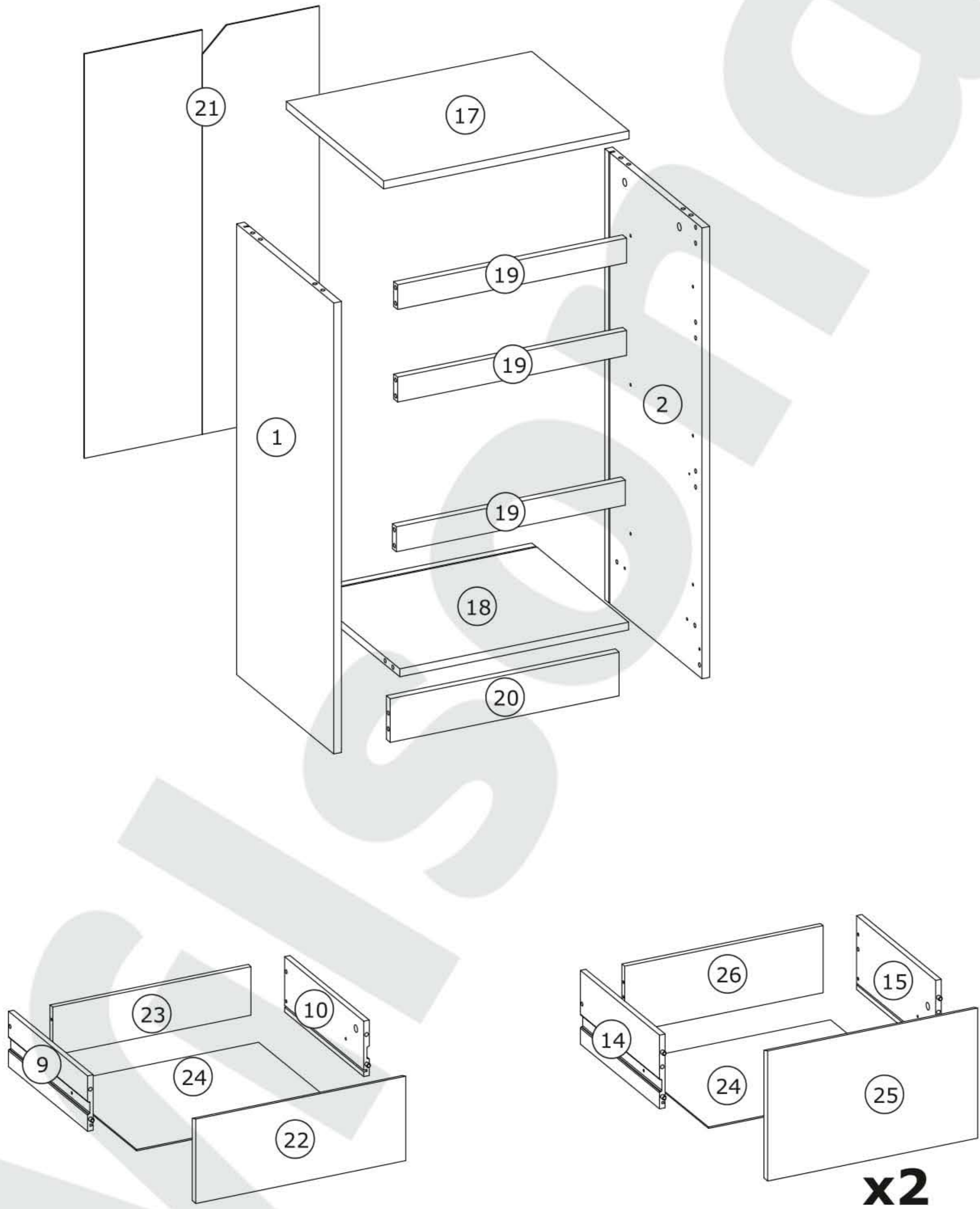
# Basit

## Cabinet 3S

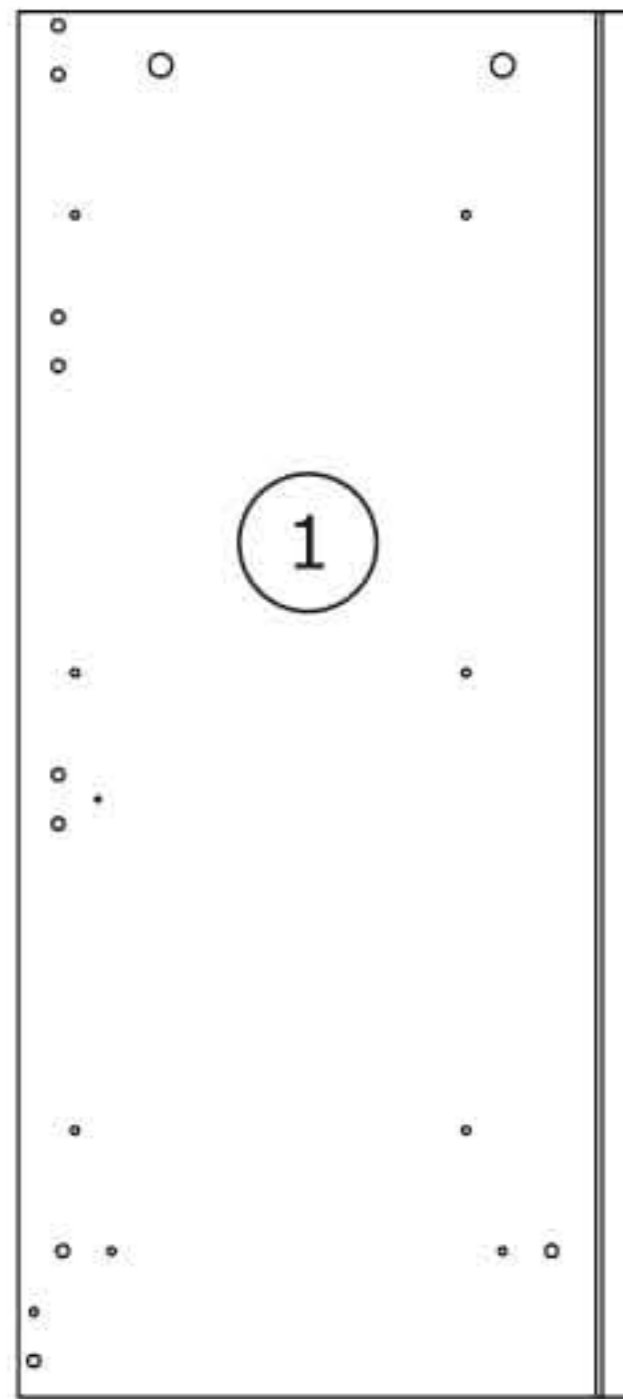




<p>A x 22</p>  <p>Ø8x35 mm</p>	<p>A1 x 10</p>  <p>Ø6x30 mm</p>	<p>B x 6</p>  <p>Ø7x50 mm</p>	<p>C x 10</p>  <p>Ø15x12 mm</p>
<p>C1 x 6</p>  <p>Ø15x10 mm</p>	<p>D x 16</p>  <p>Ø5x44 mm</p>	<p>E x 1</p>  <p>4 mm</p>	<p>F x 6</p>  <p>20 mm</p>
<p>G1 x 4</p> 	<p>H1 x 6</p>  <p>10x10 mm</p>	<p>I x 1</p> 	<p>I1 x 2</p> 
<p>J x 1</p>  <p>3,5x16 mm</p>	<p>L x 4</p>  <p>4x16 mm</p>	<p>L1 x 12</p>  <p>3x20 mm</p>	<p>M x 12</p>  <p>Ø6,3x13 mm</p>
<p>N1 x 6</p>  <p>310 mm</p>		<p>Q x 6</p>  <p>4x9 mm</p>	<p>AA x 6</p> 

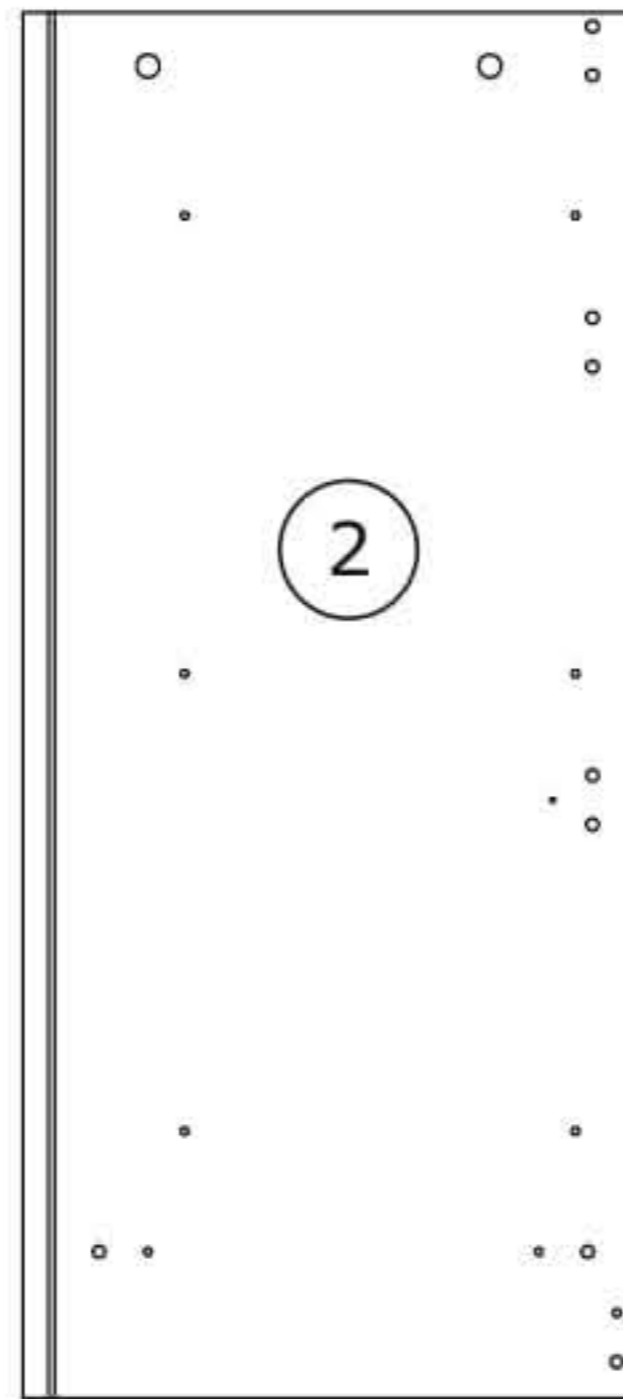


# BOX 1/1:



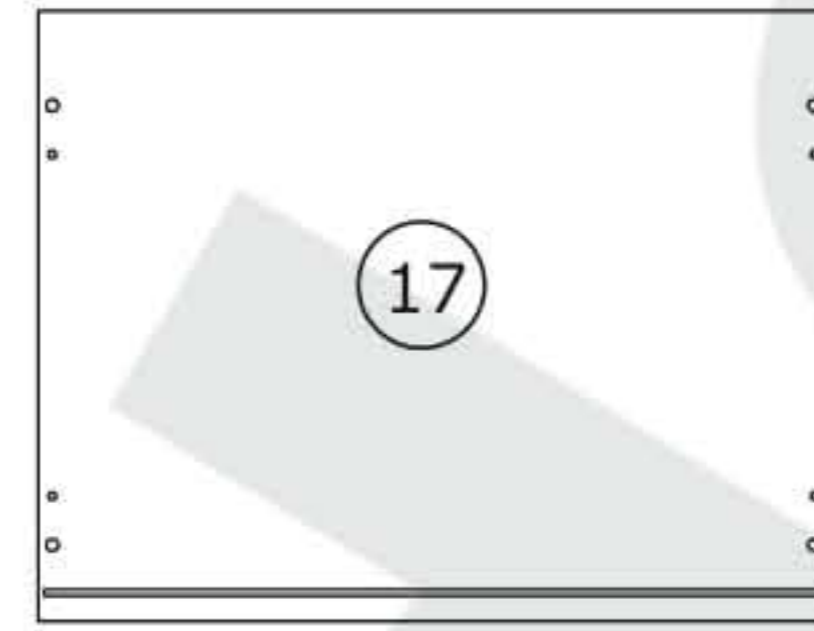
1

908x399x16 mm



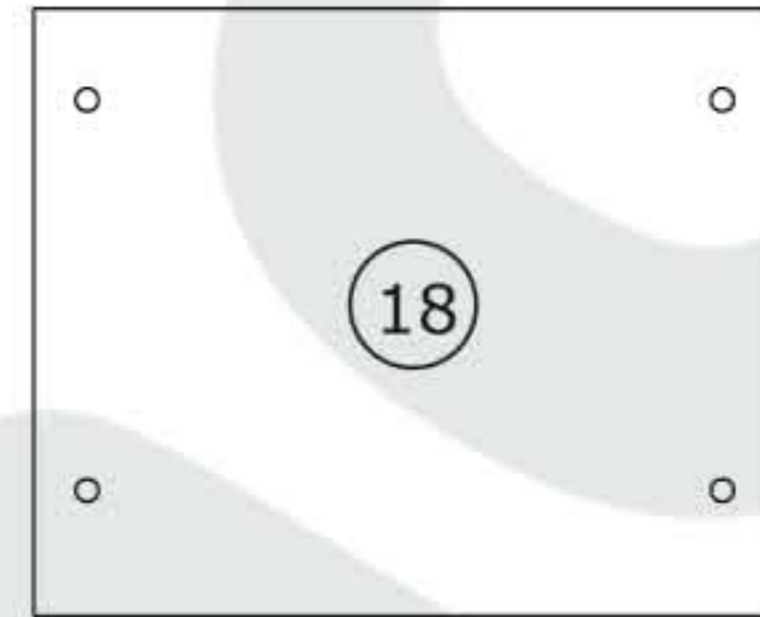
2

908x399x16 mm



17

504x400x16 mm



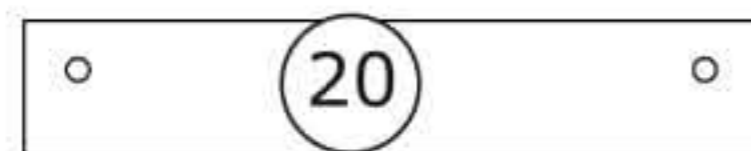
18

470x398x16 mm



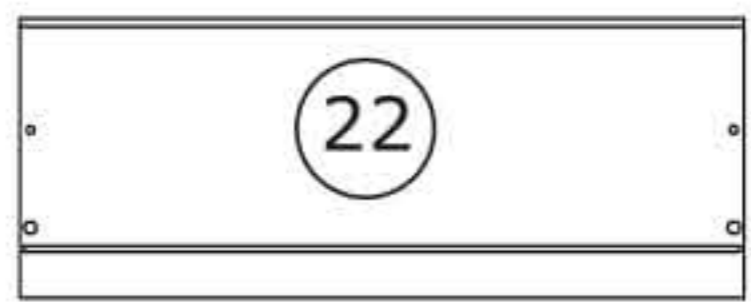
19

470x50x16 mm **x3**



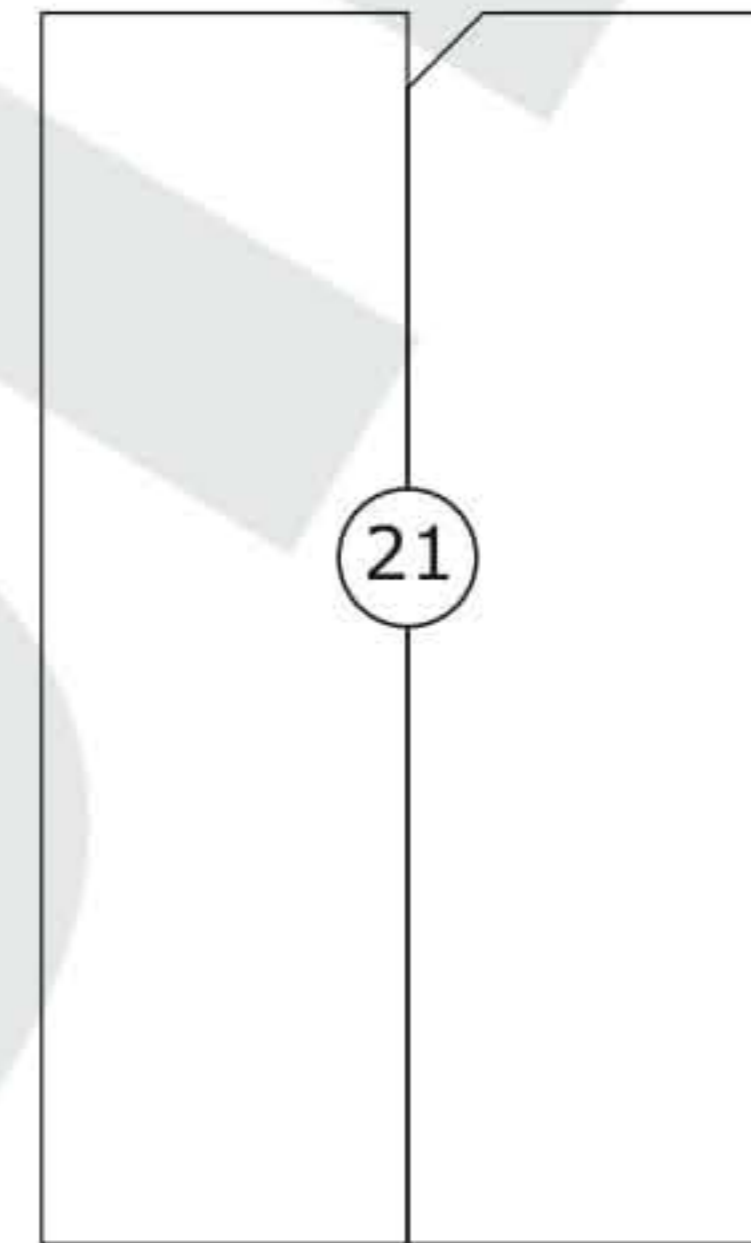
20

470x88x16 mm



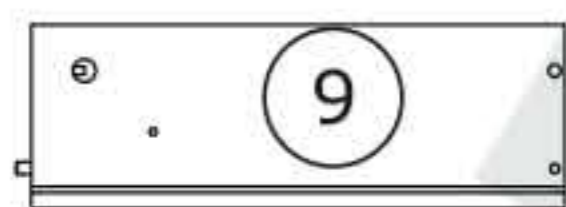
22

464x183x16 mm



21

814x480x3 mm



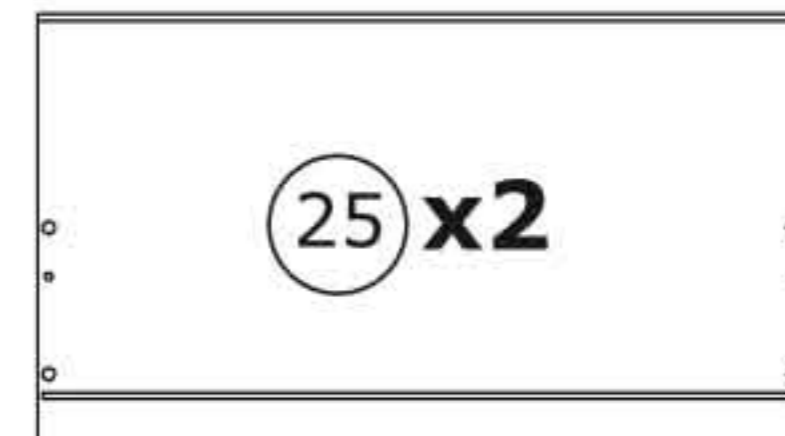
9

350x120x12 mm



10

350x120x12 mm



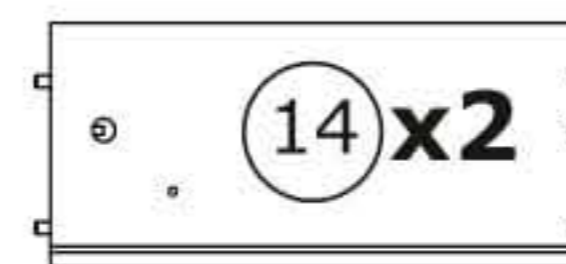
25 **x2**

464x282x16 mm



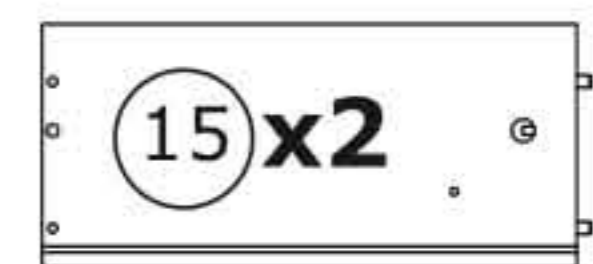
23

438x105x12 mm



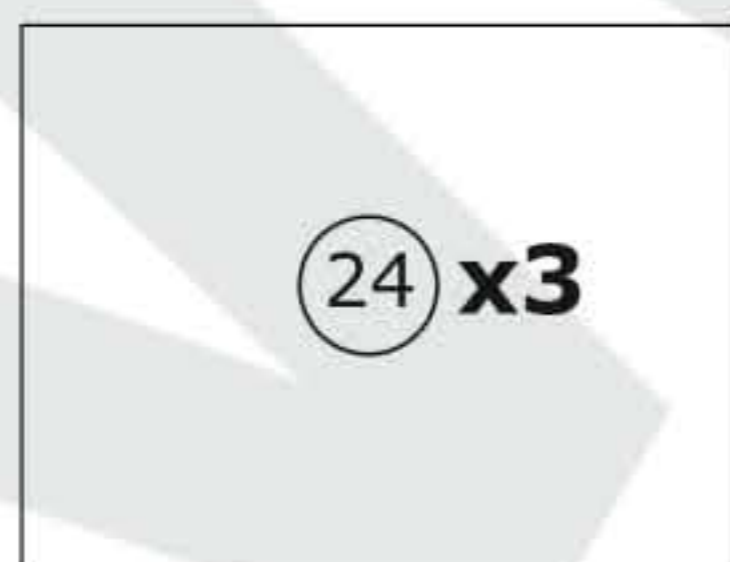
14 **x2**

350x160x12 mm



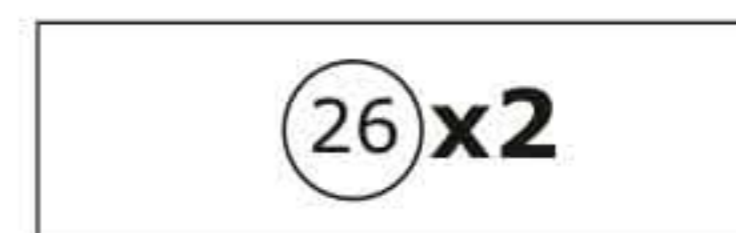
15 **x2**

350x160x12 mm



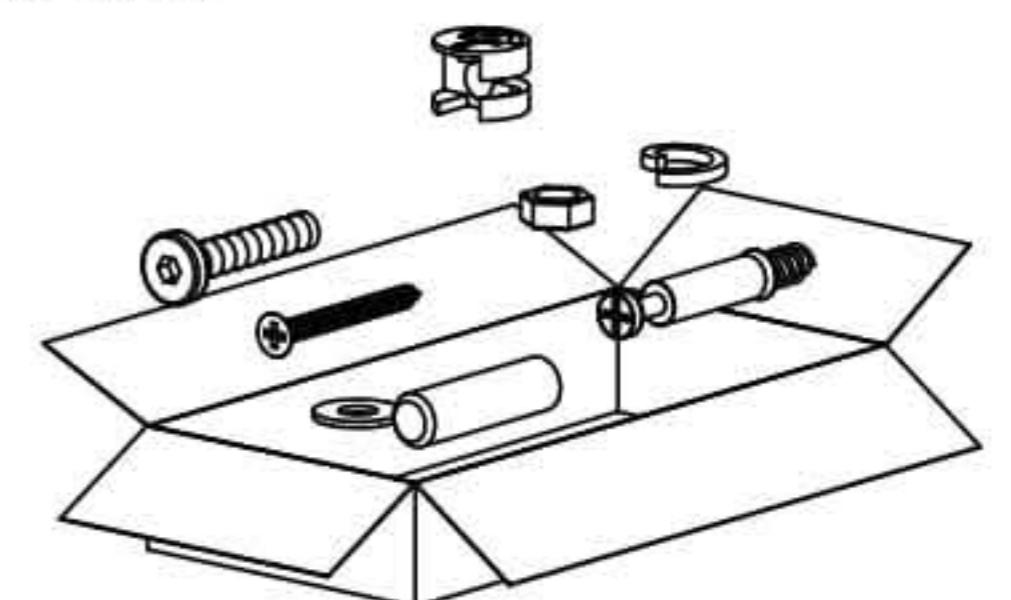
24 **x3**

448x357x3 mm






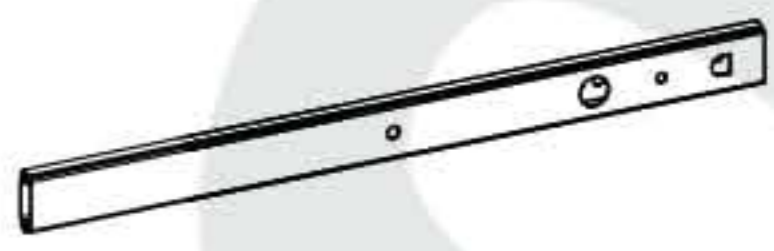


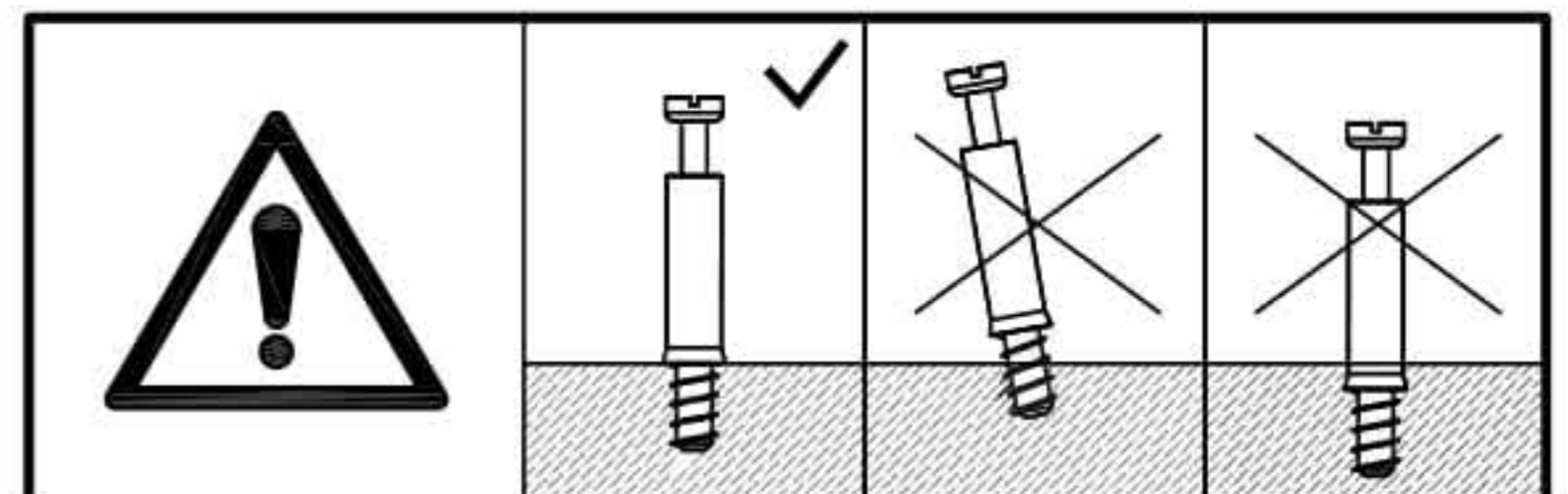
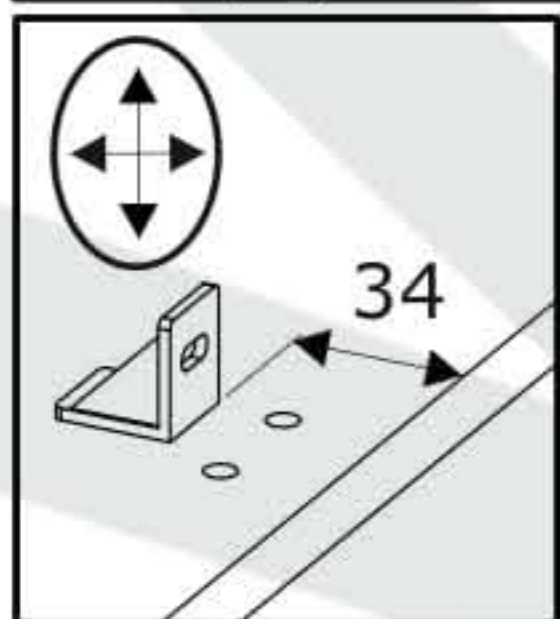
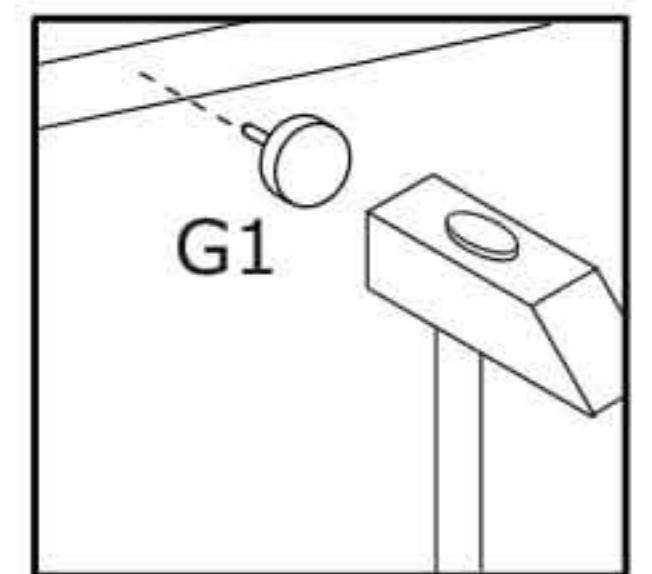
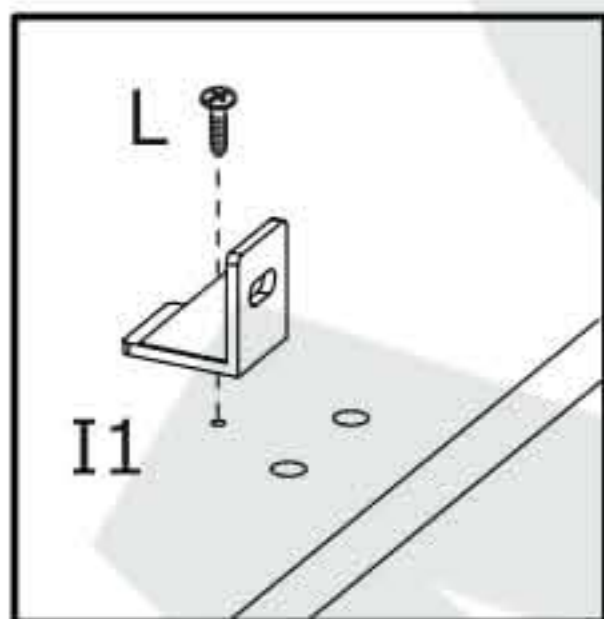
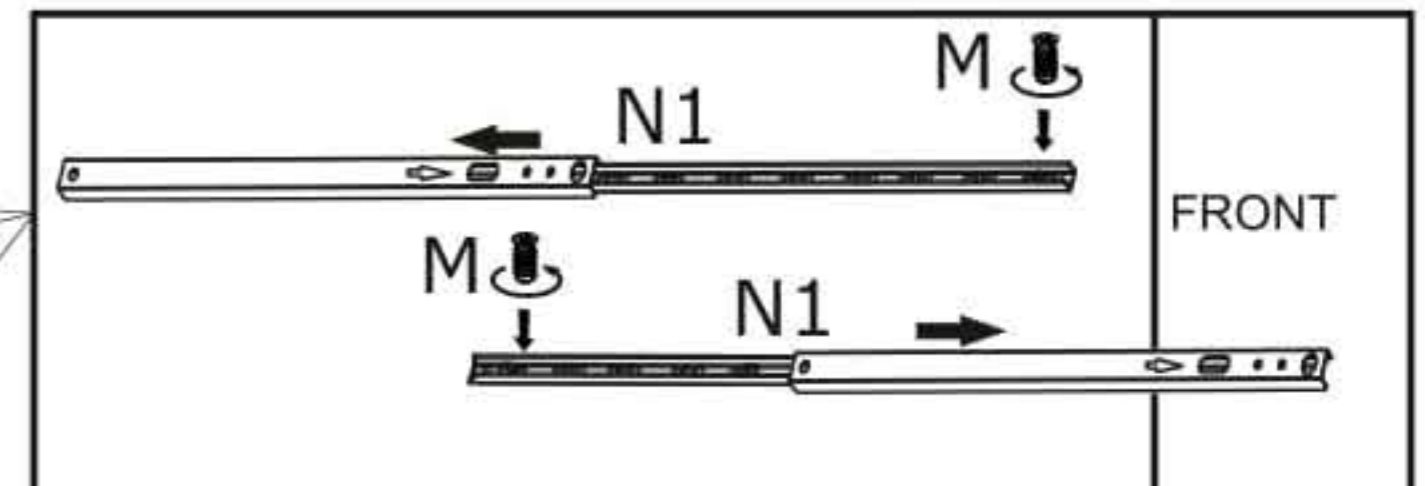
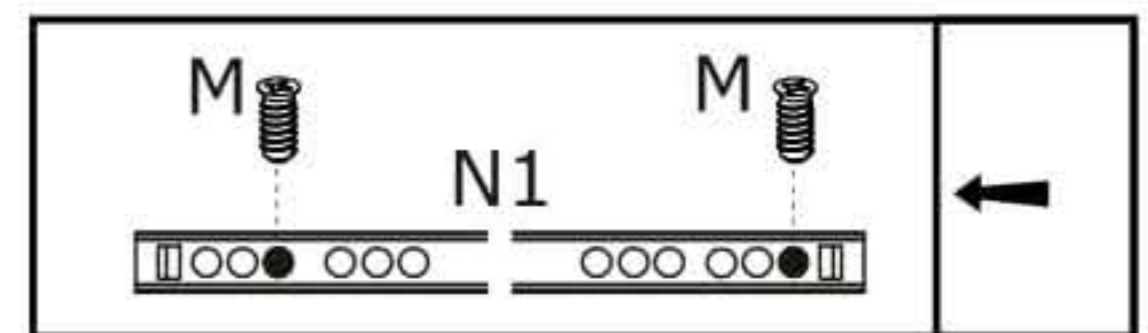
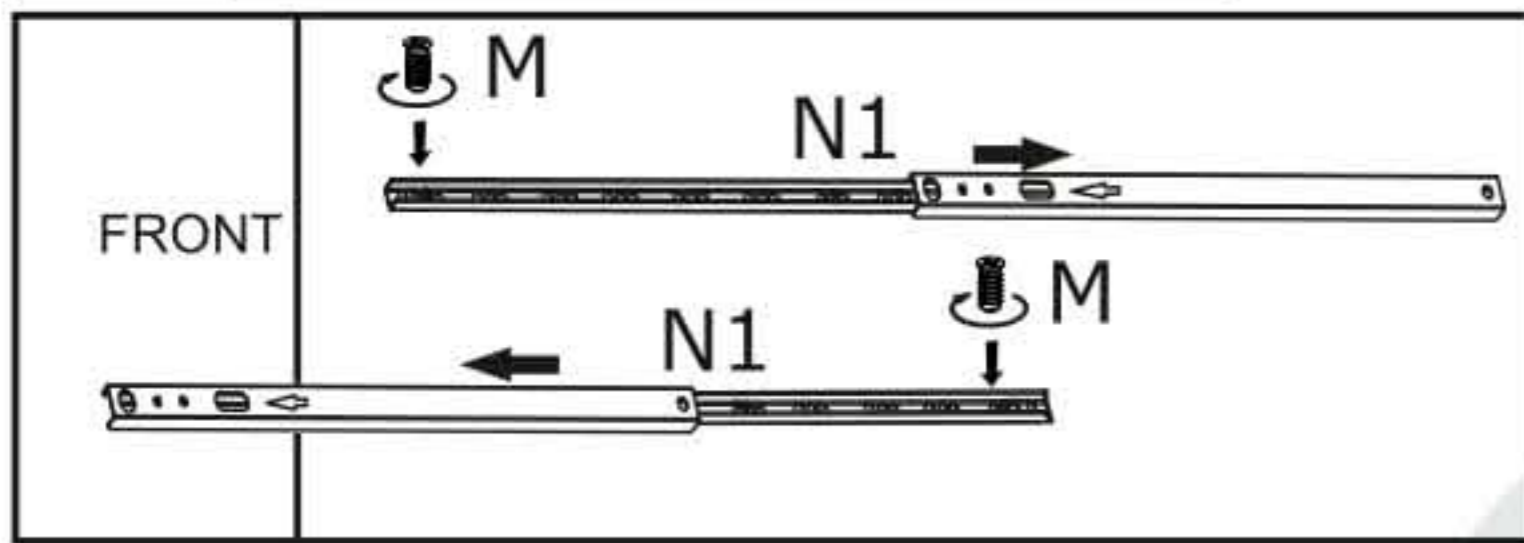
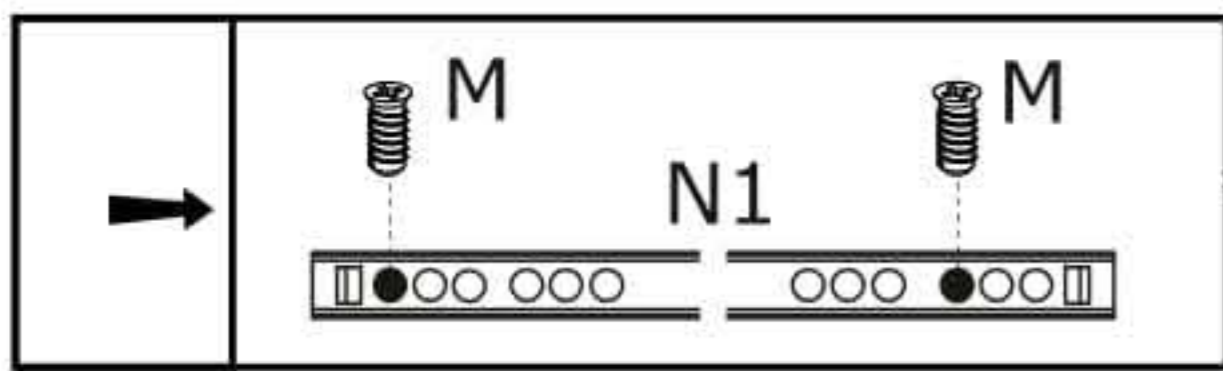
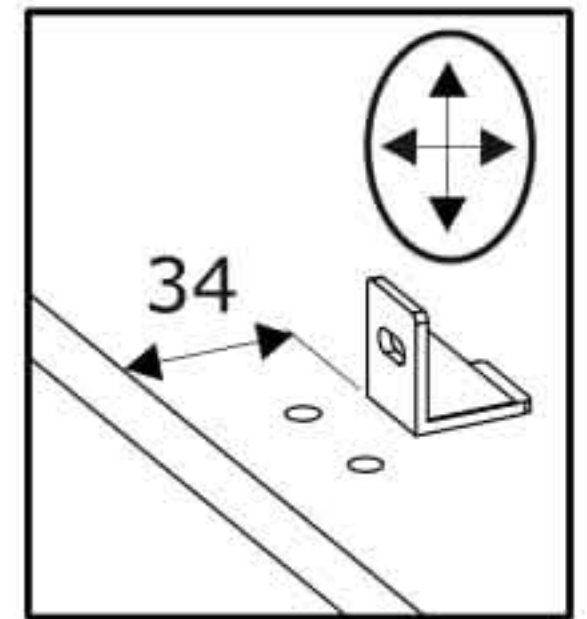
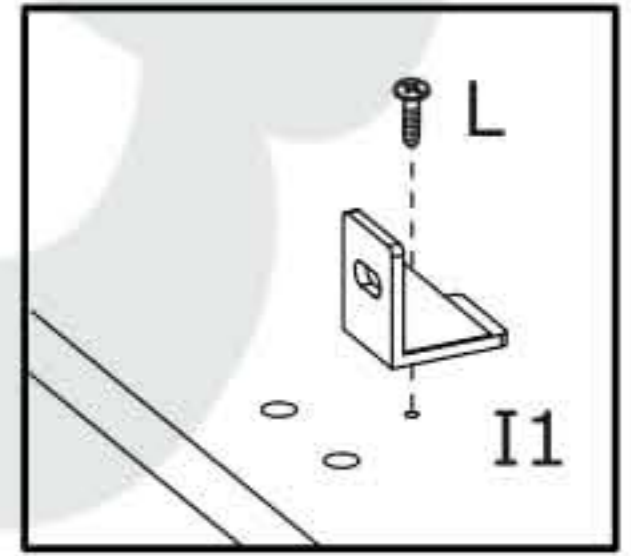
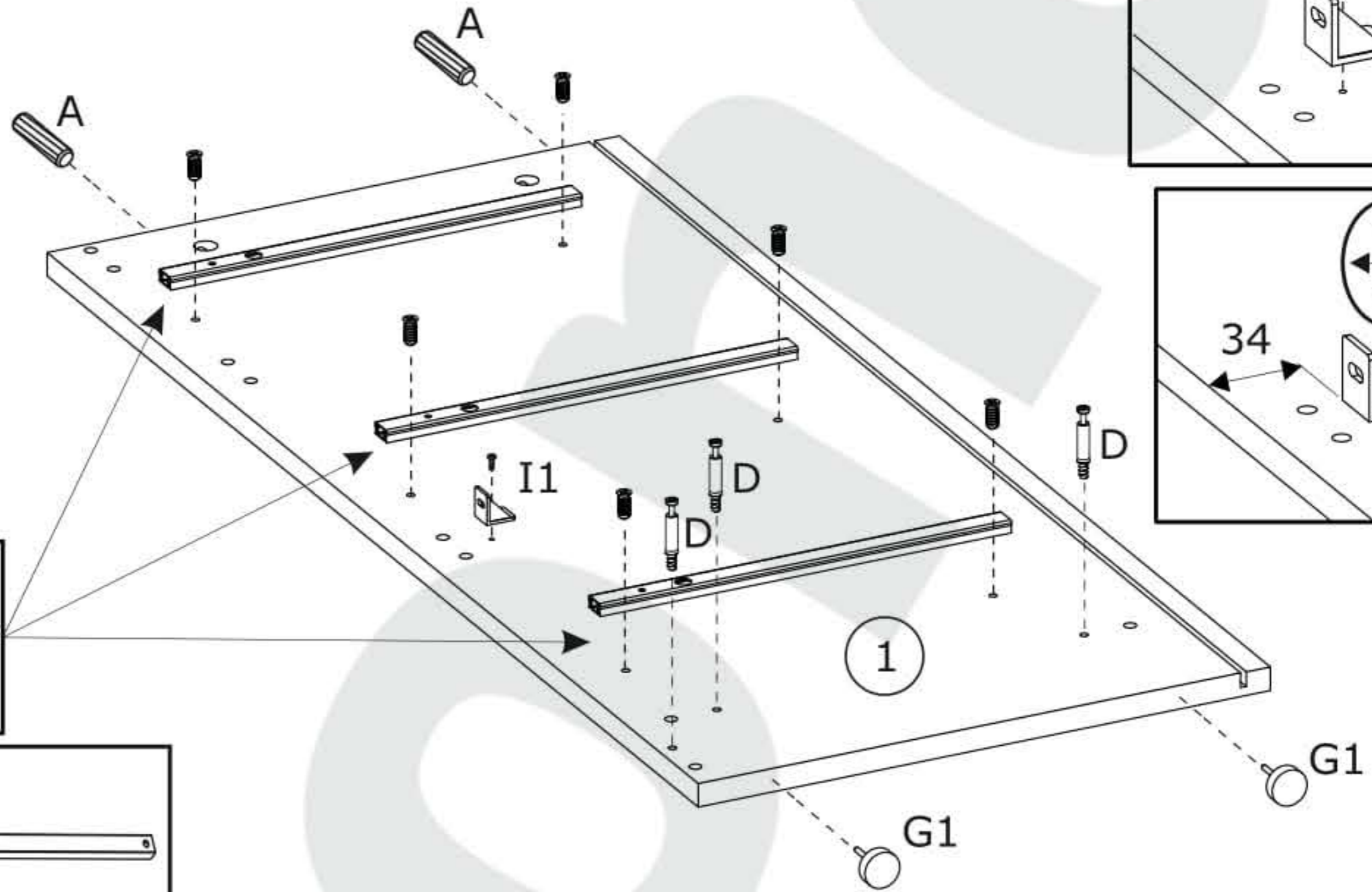
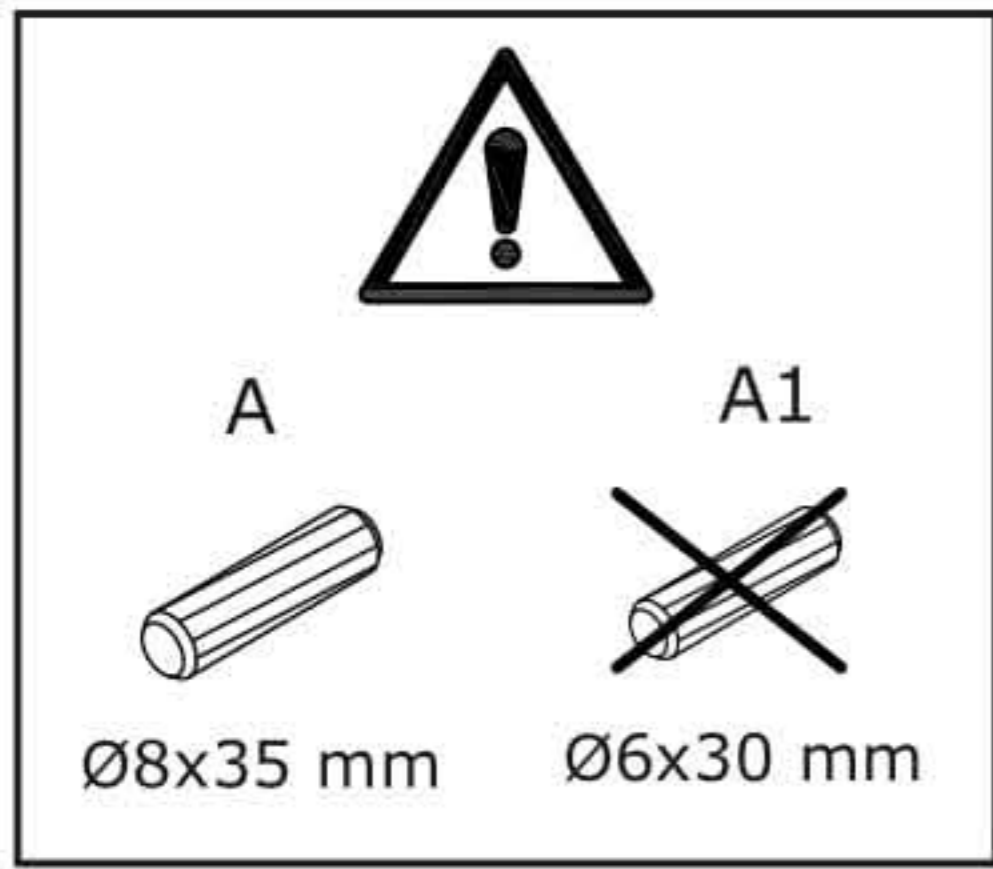
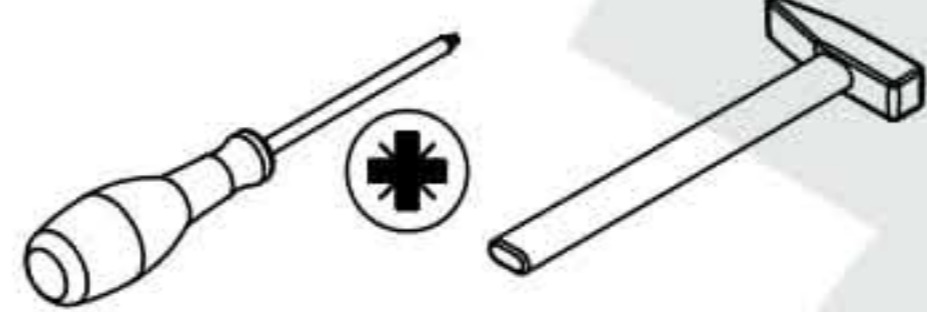
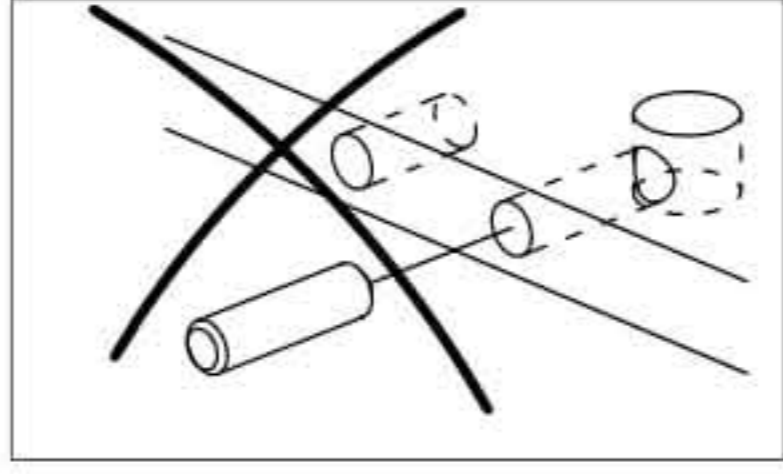
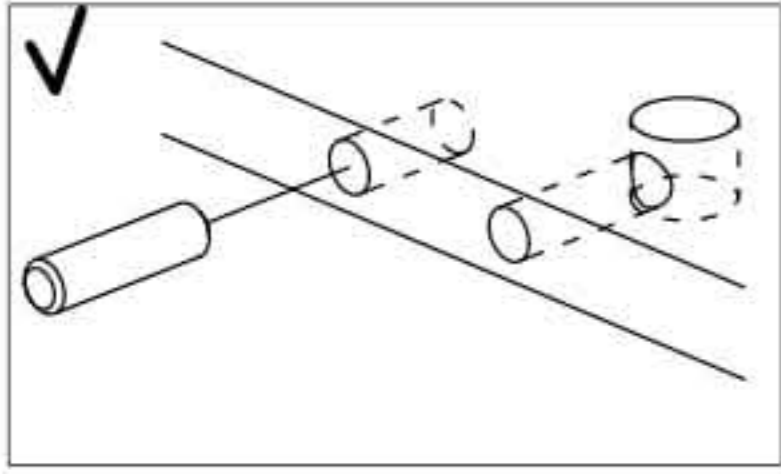
26 **x2**

438x145x12 mm



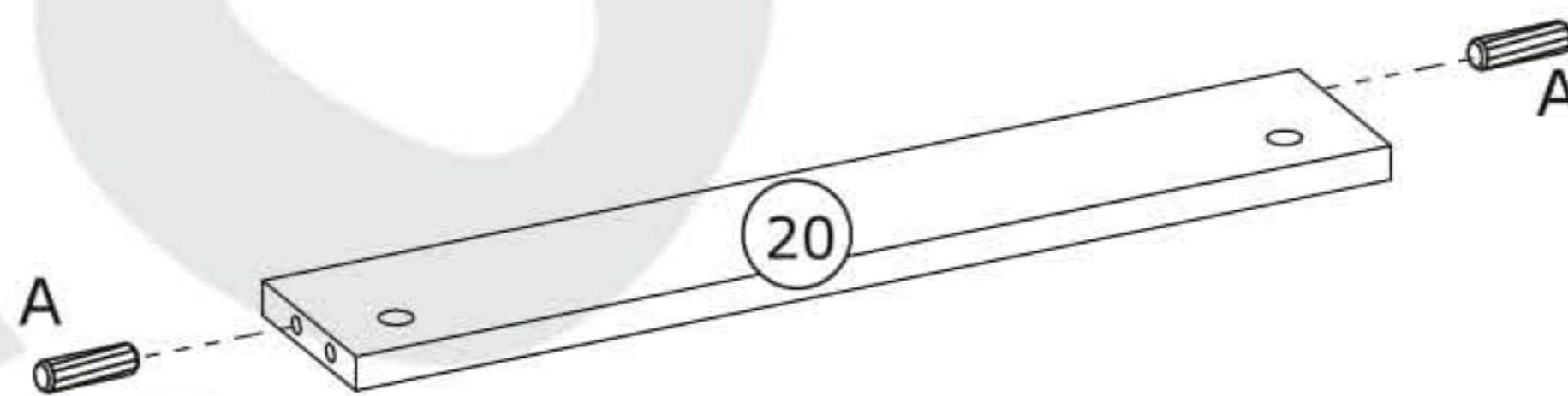
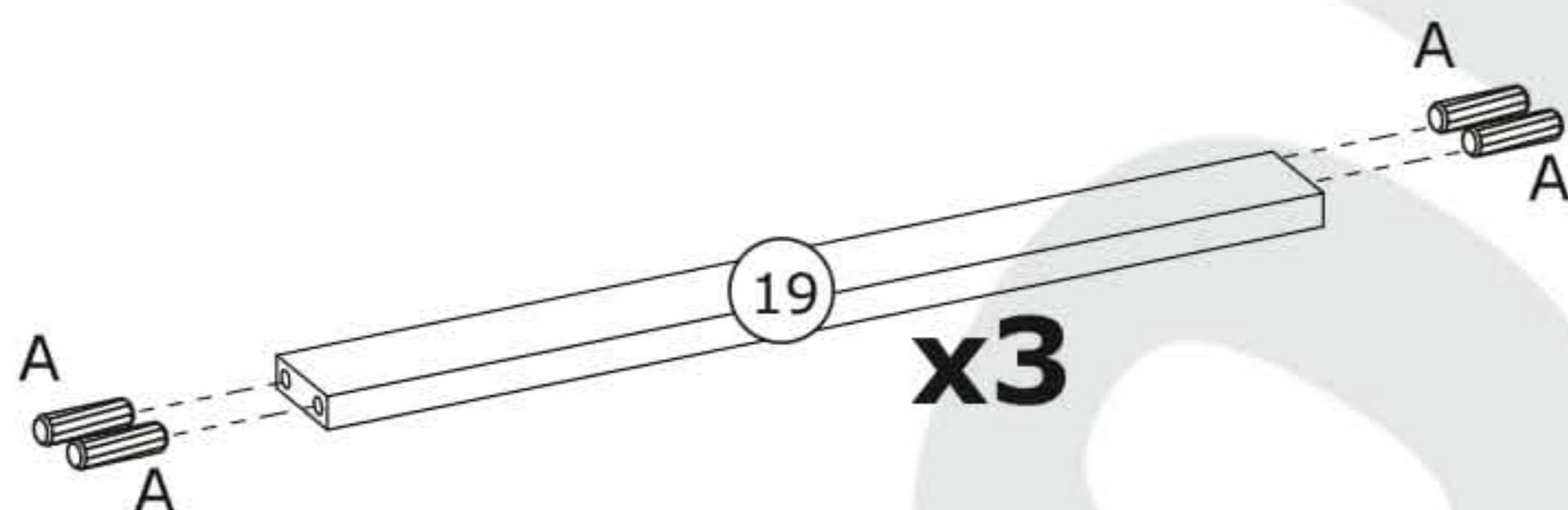
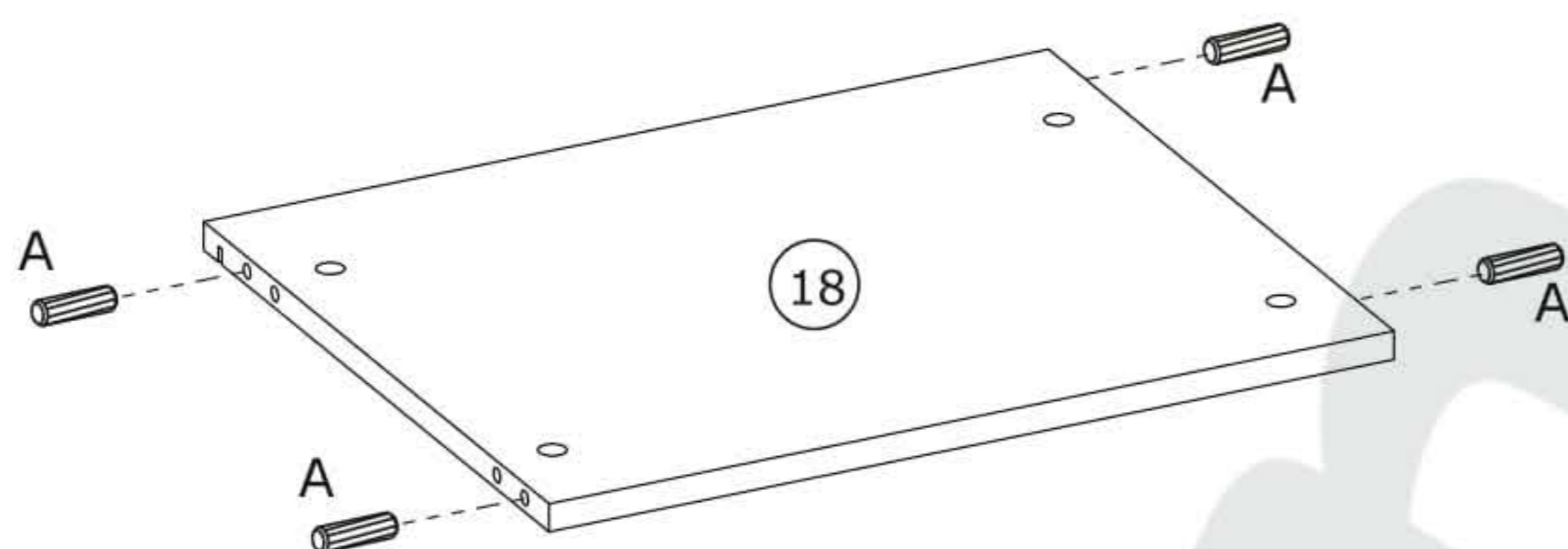
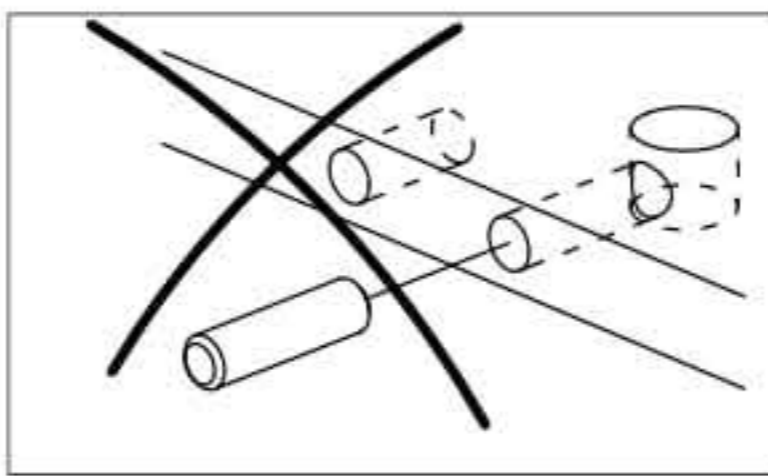
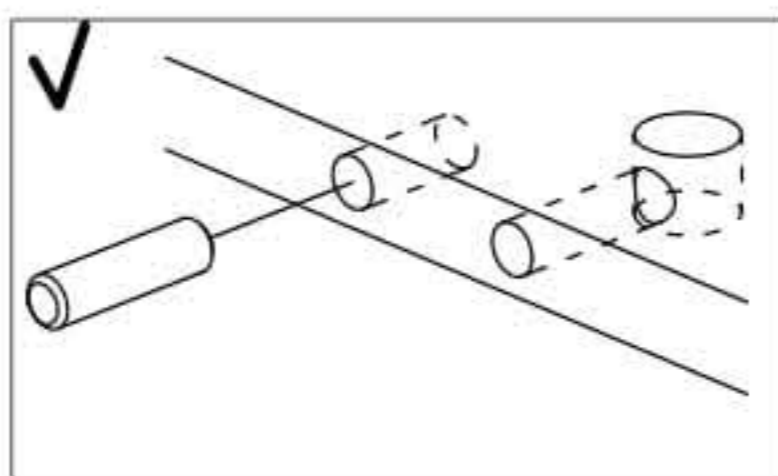
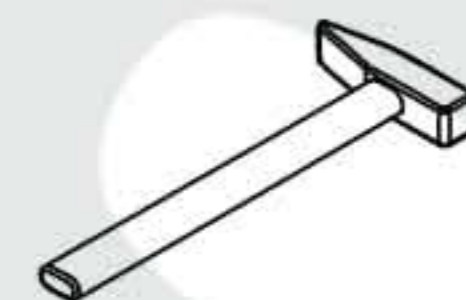
1

A x 4  Ø8x35 mm	G1 x 4 	I1 x 2 	L x 2  4x16 mm	M x 12  Ø6,3x13 mm	N1 x 6  310 mm
--	---	---	---	---	---



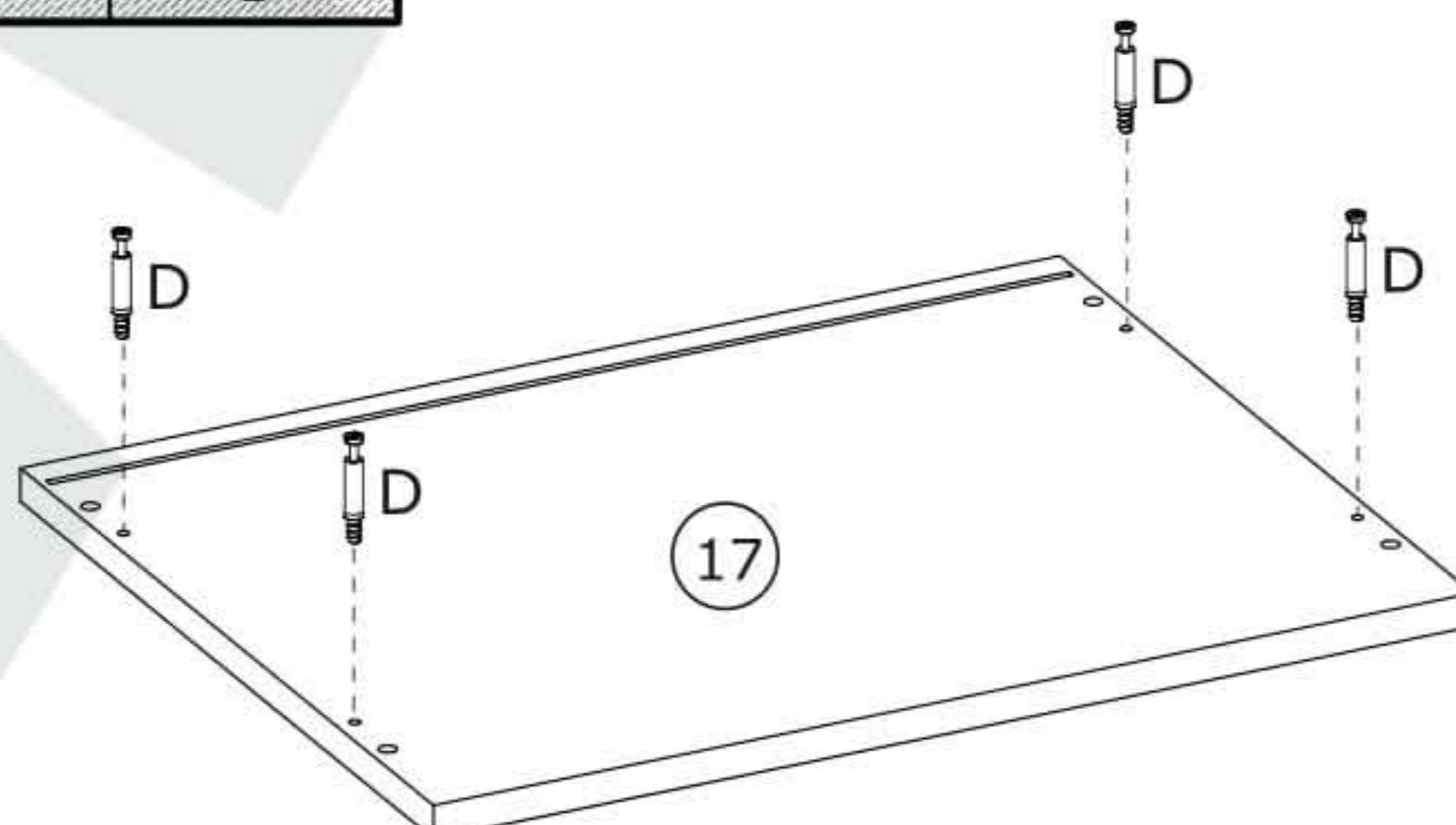
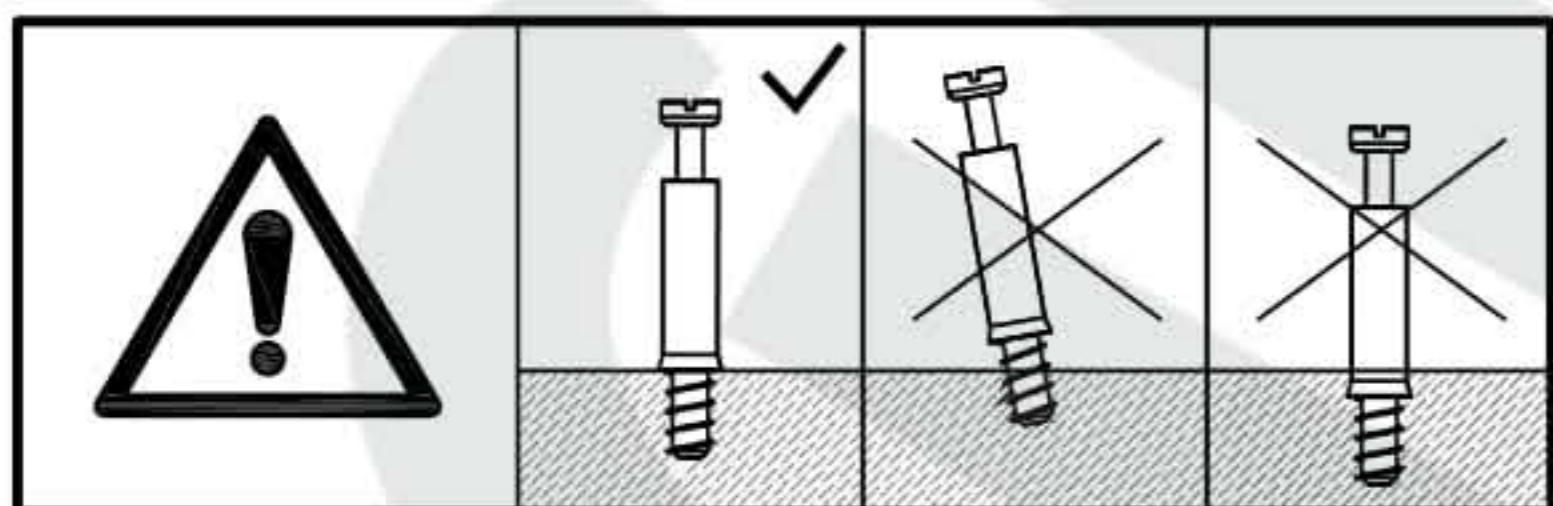
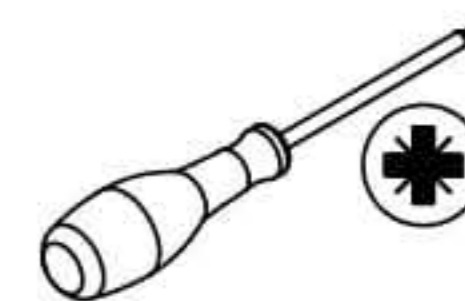
2

A x 18  
Ø8x35 mm



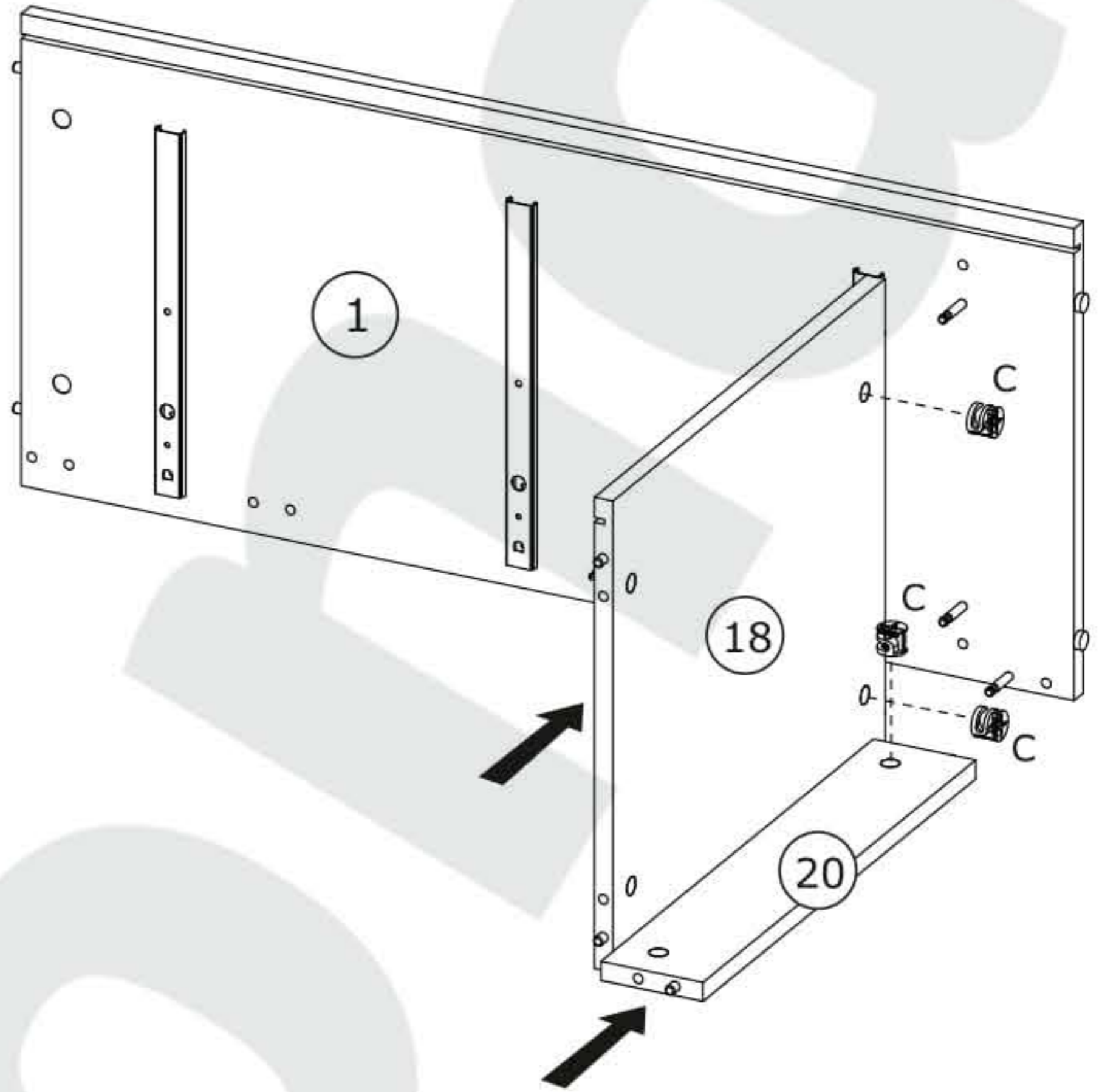
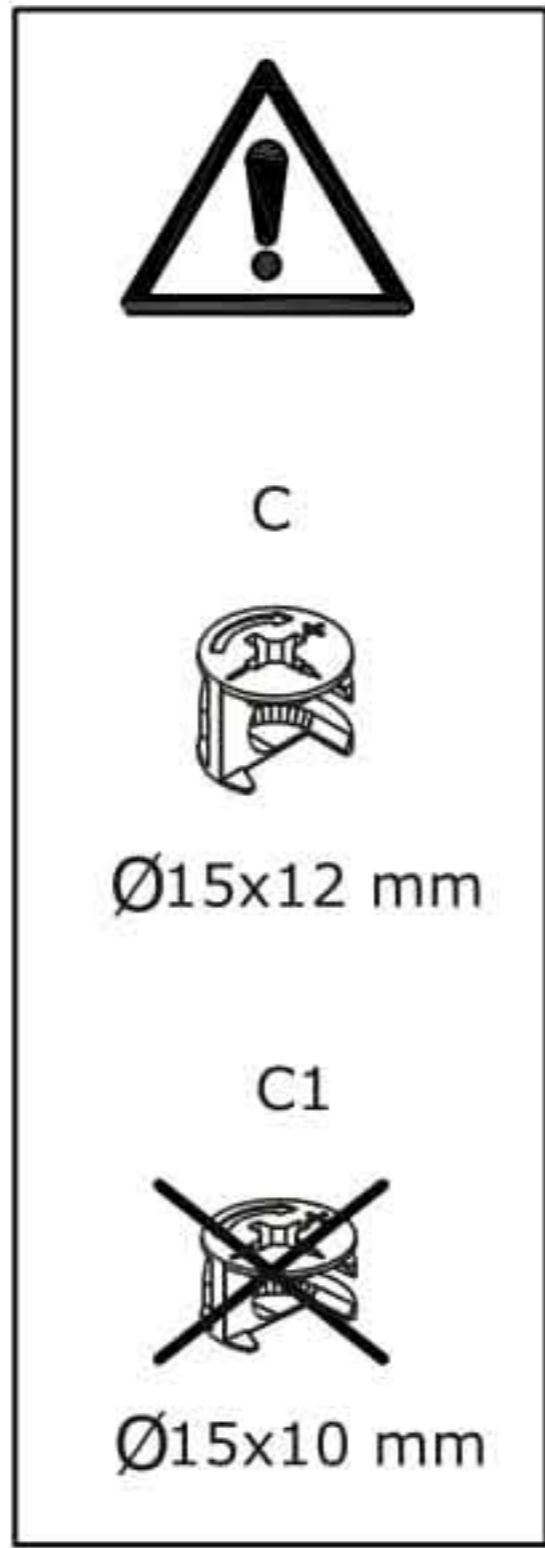
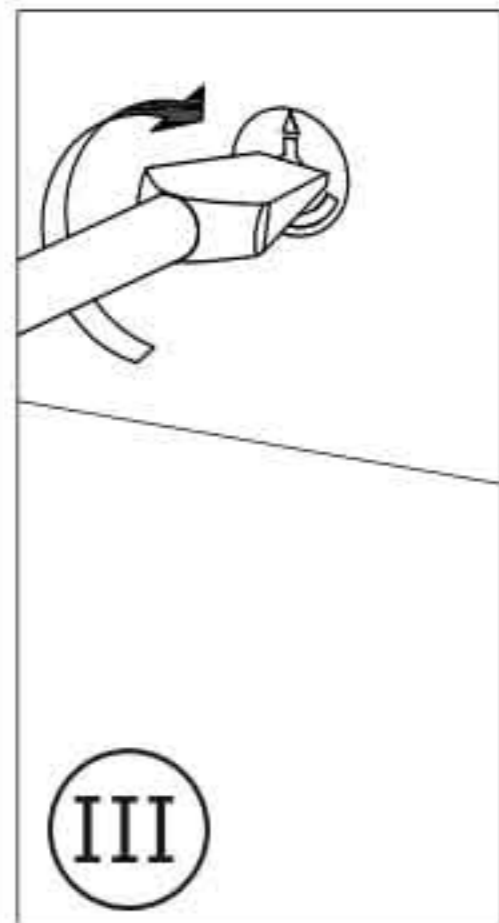
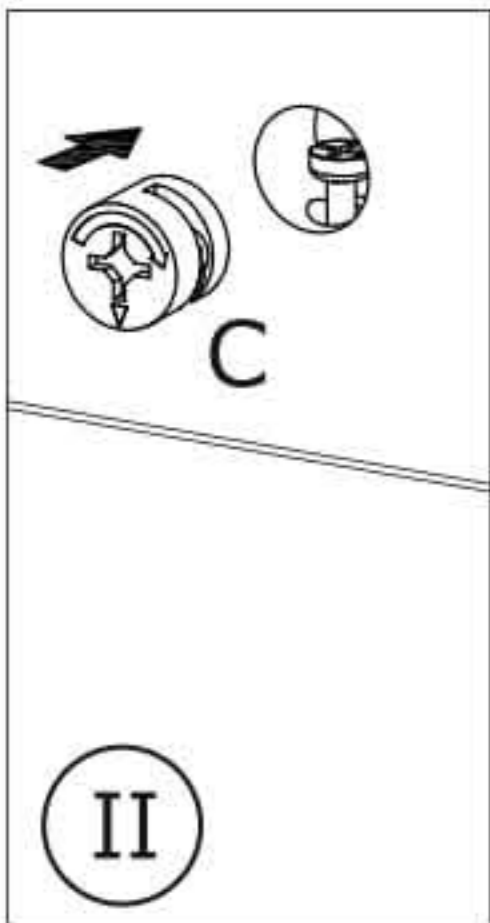
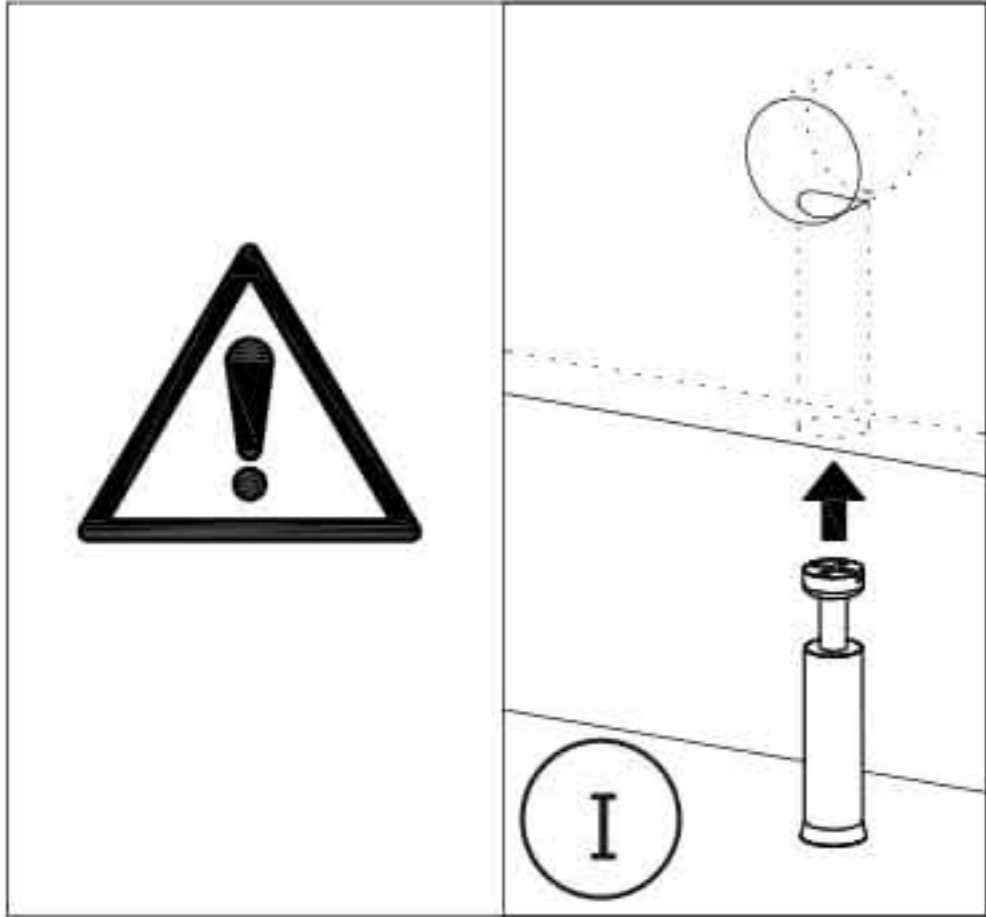
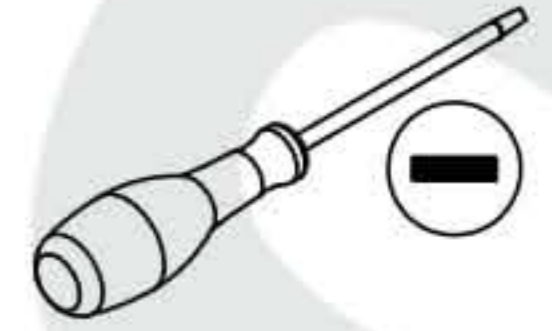
3

D x 4  
Ø5x44 mm

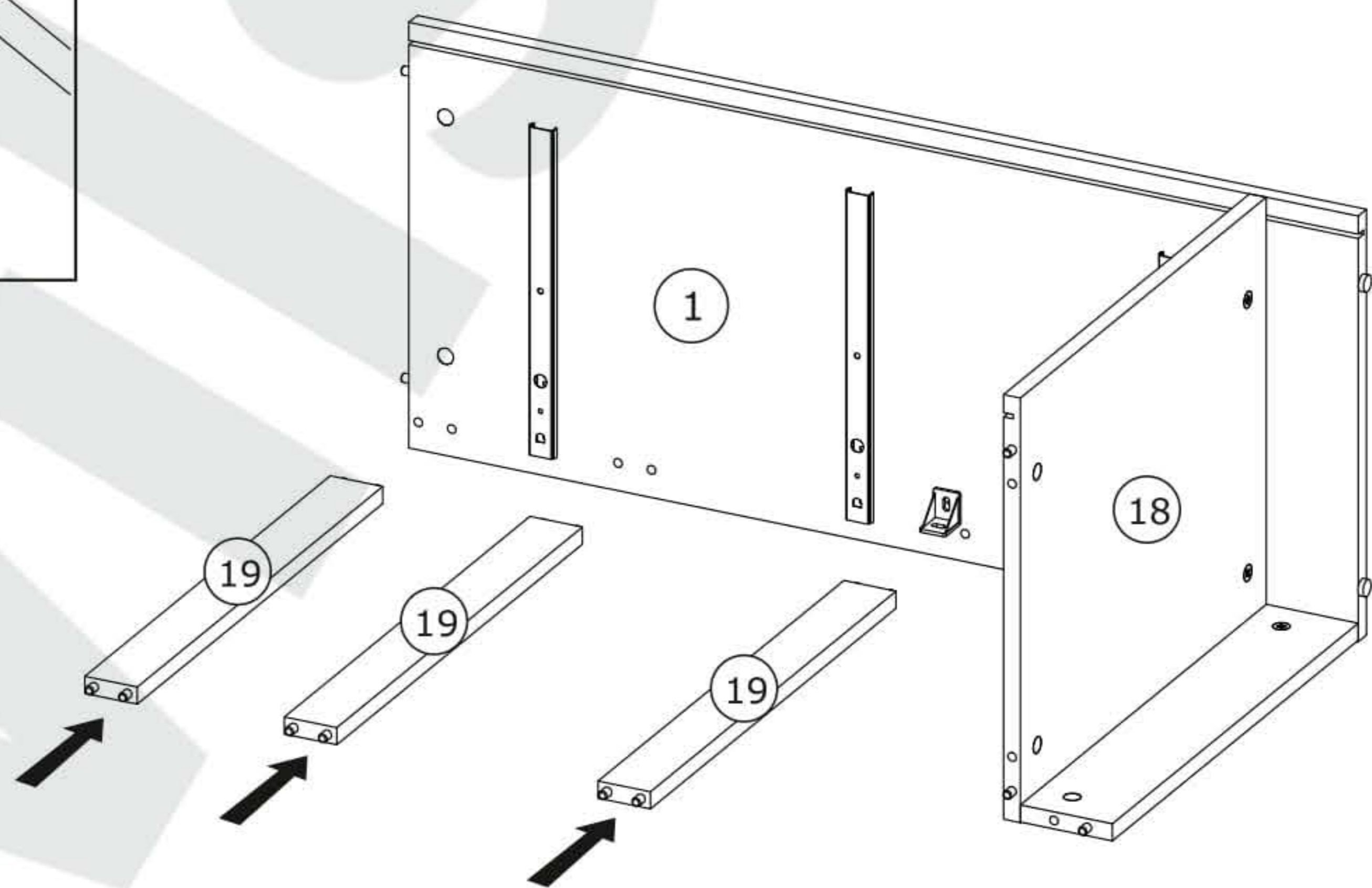
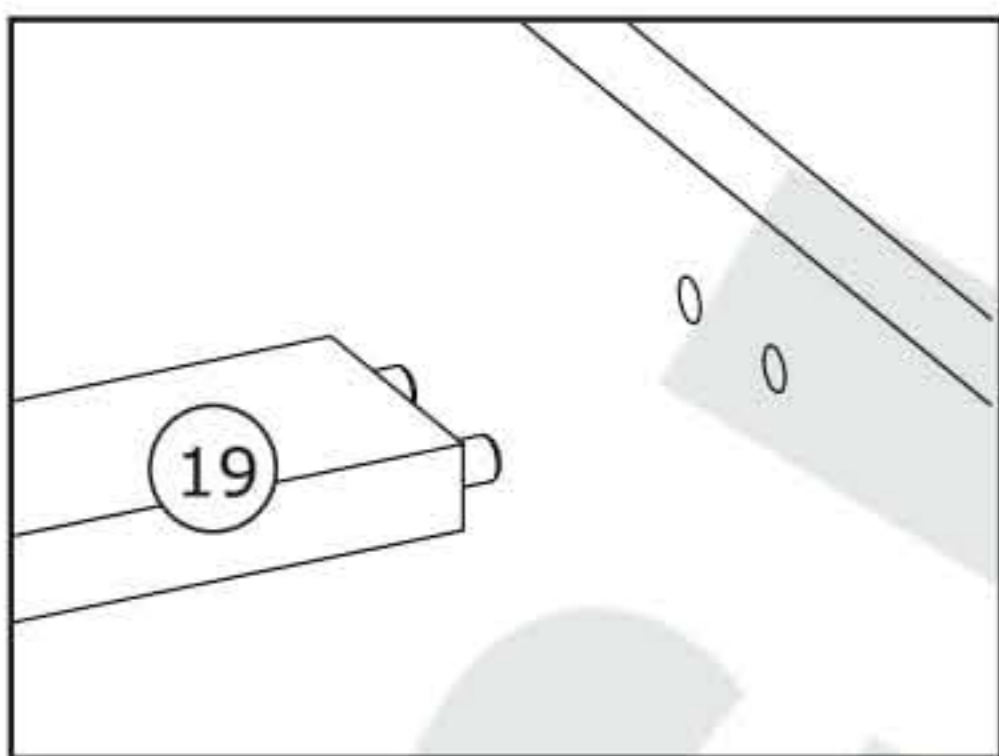


4

C x 3  
Ø15x12 mm

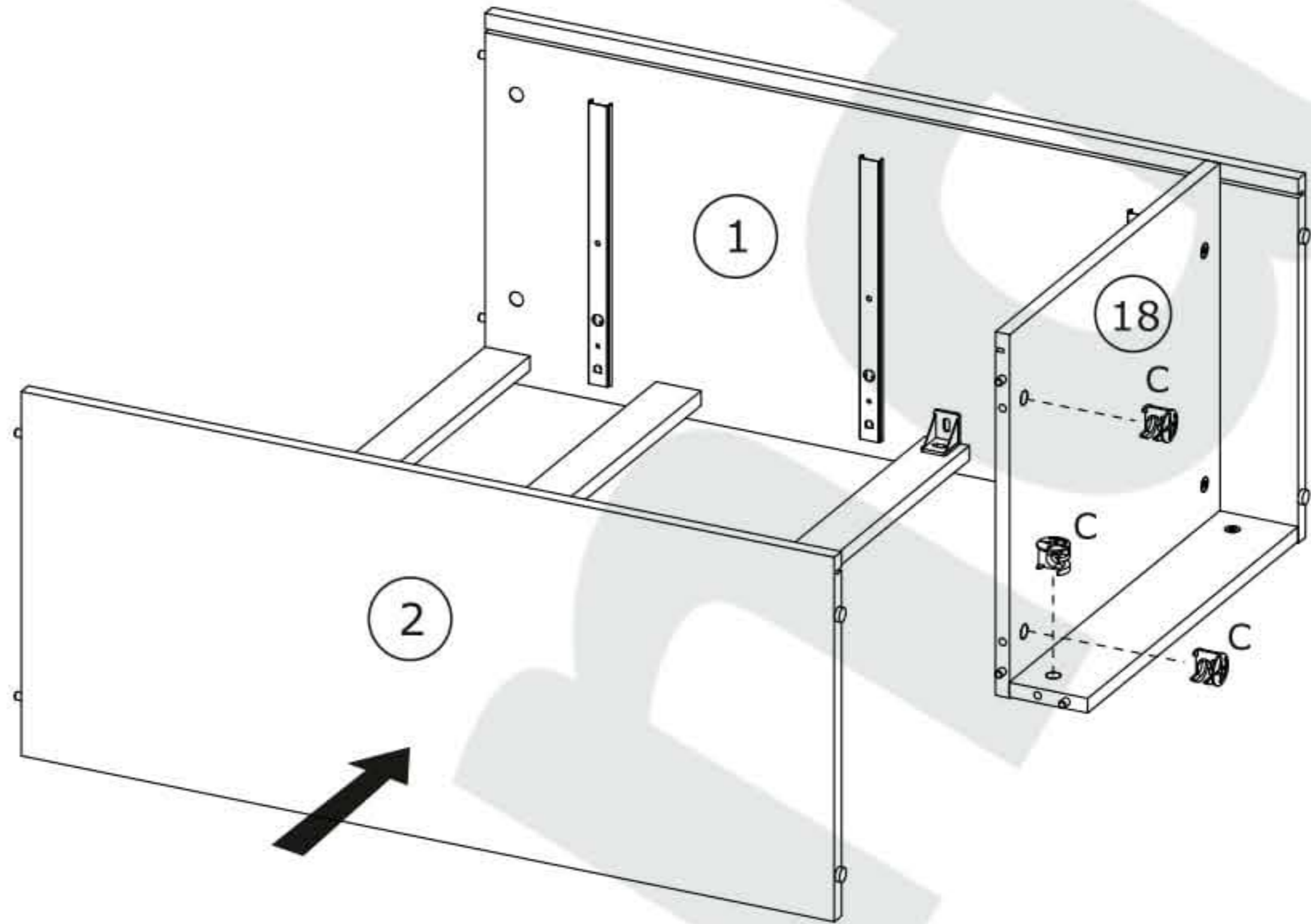
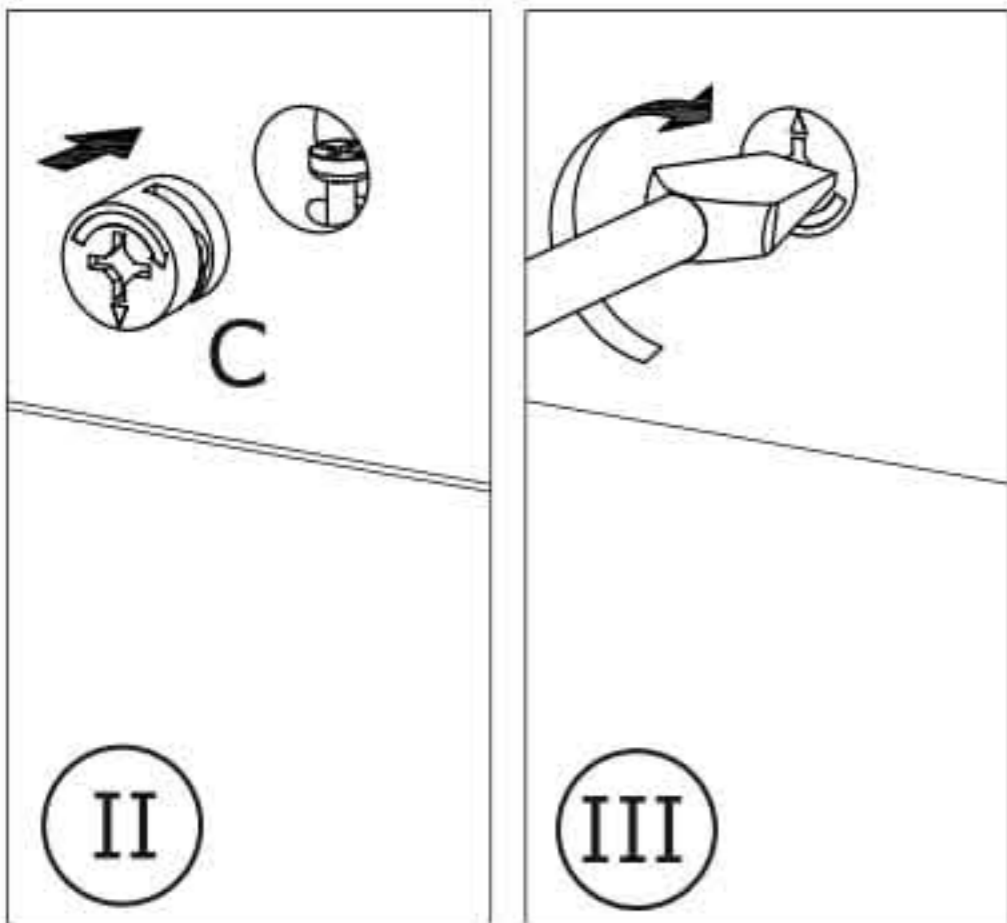
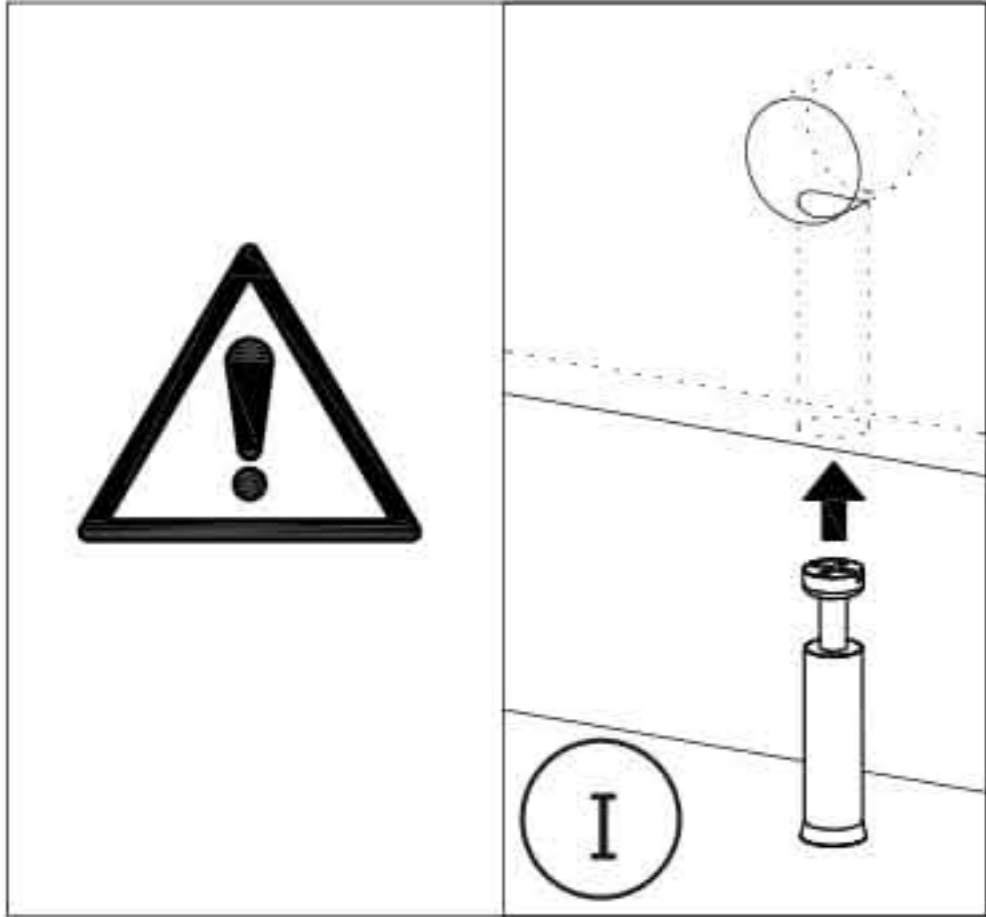
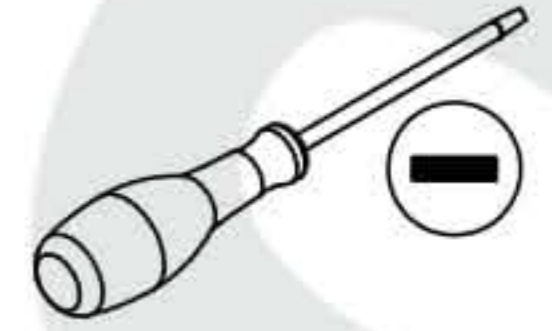


5



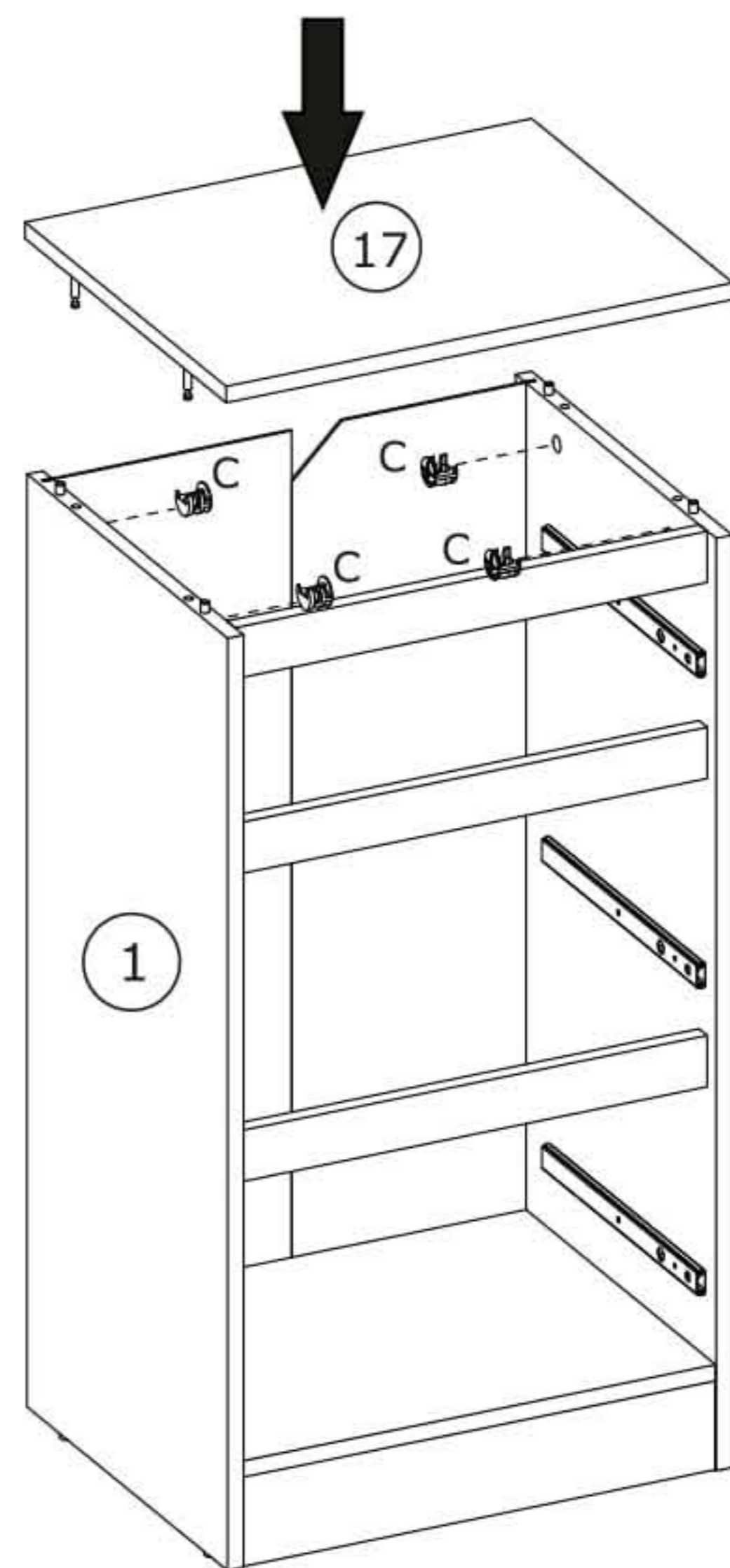
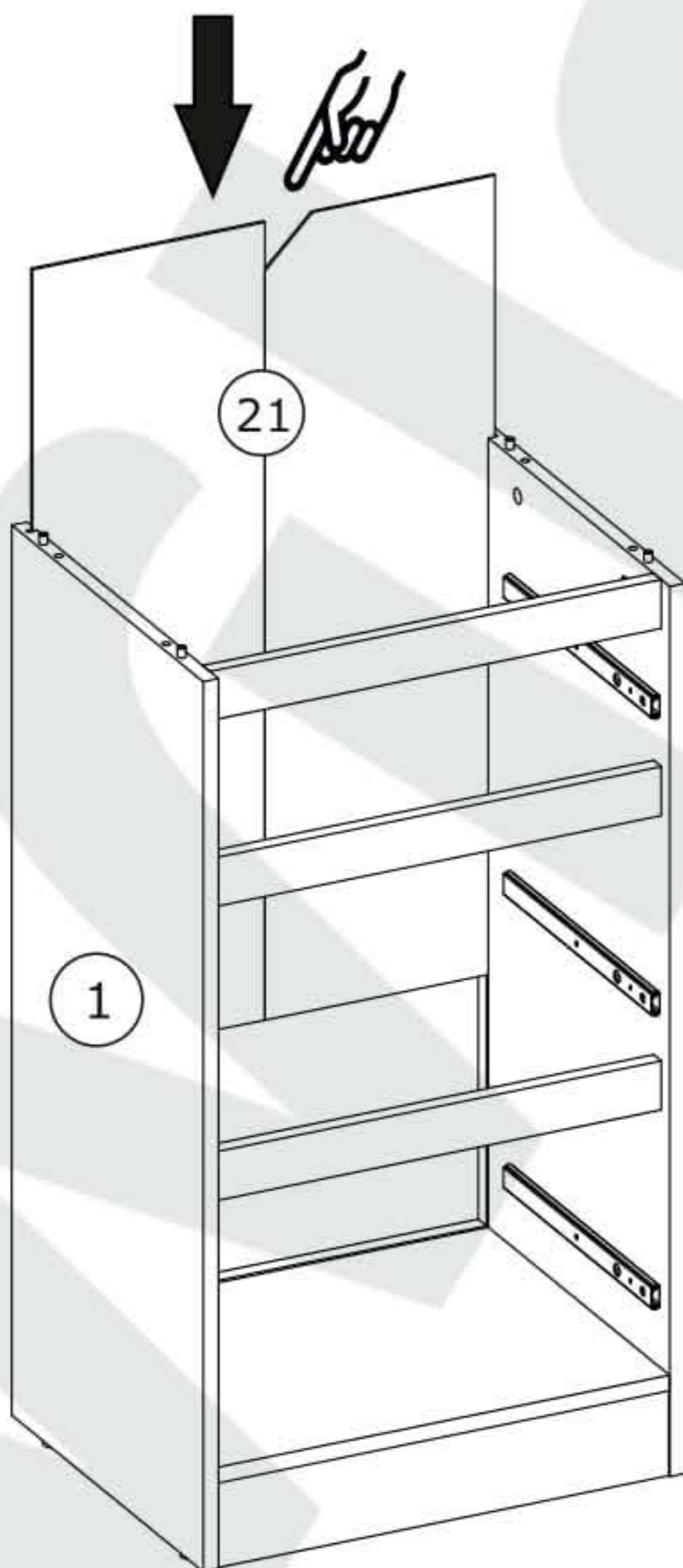
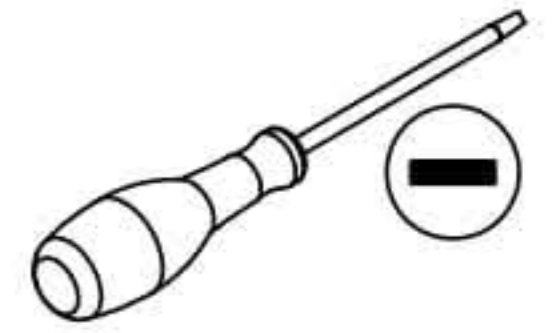
6

C x 3  
Ø15x12 mm



7

C x 4  
Ø15x12 mm



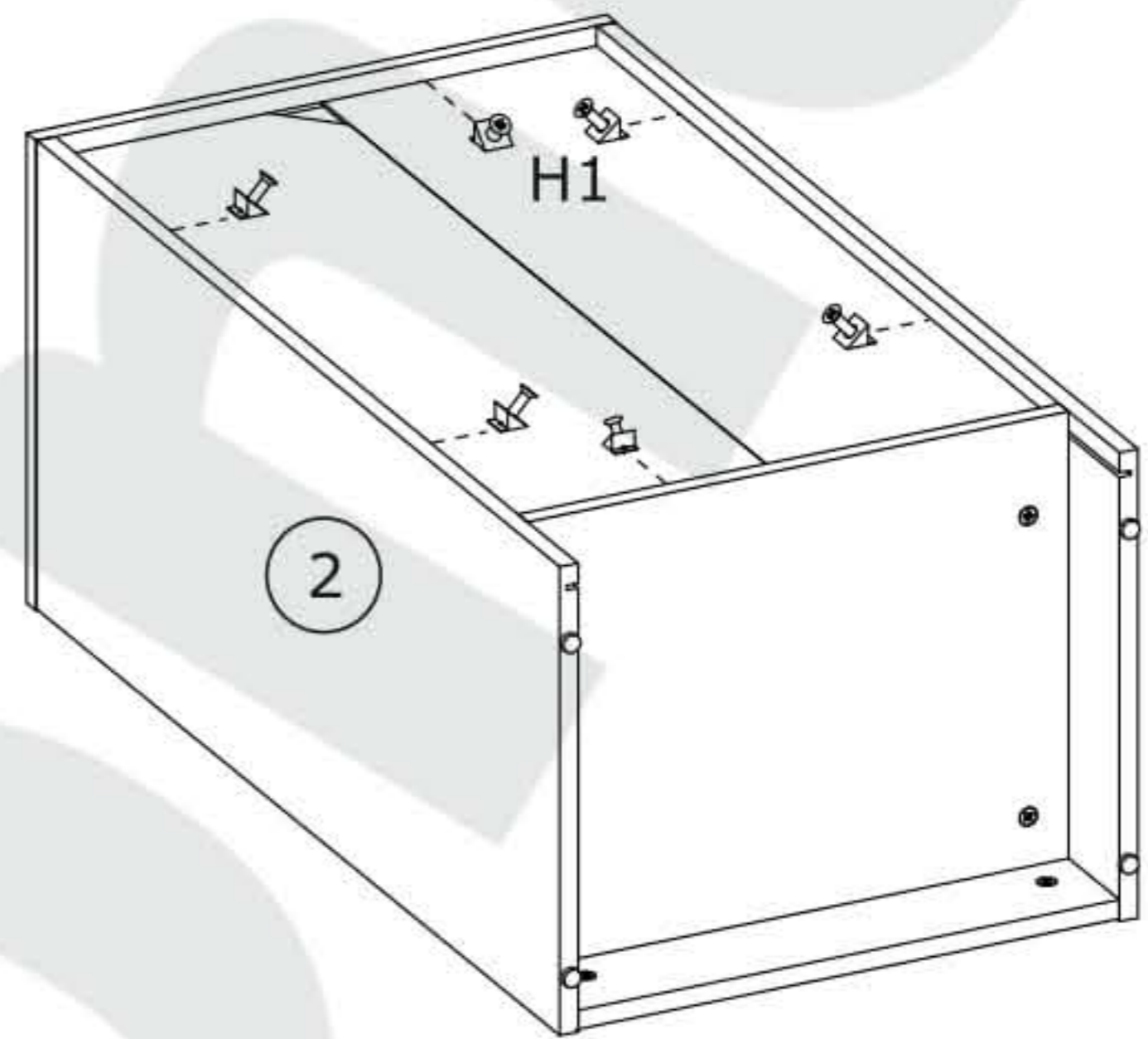
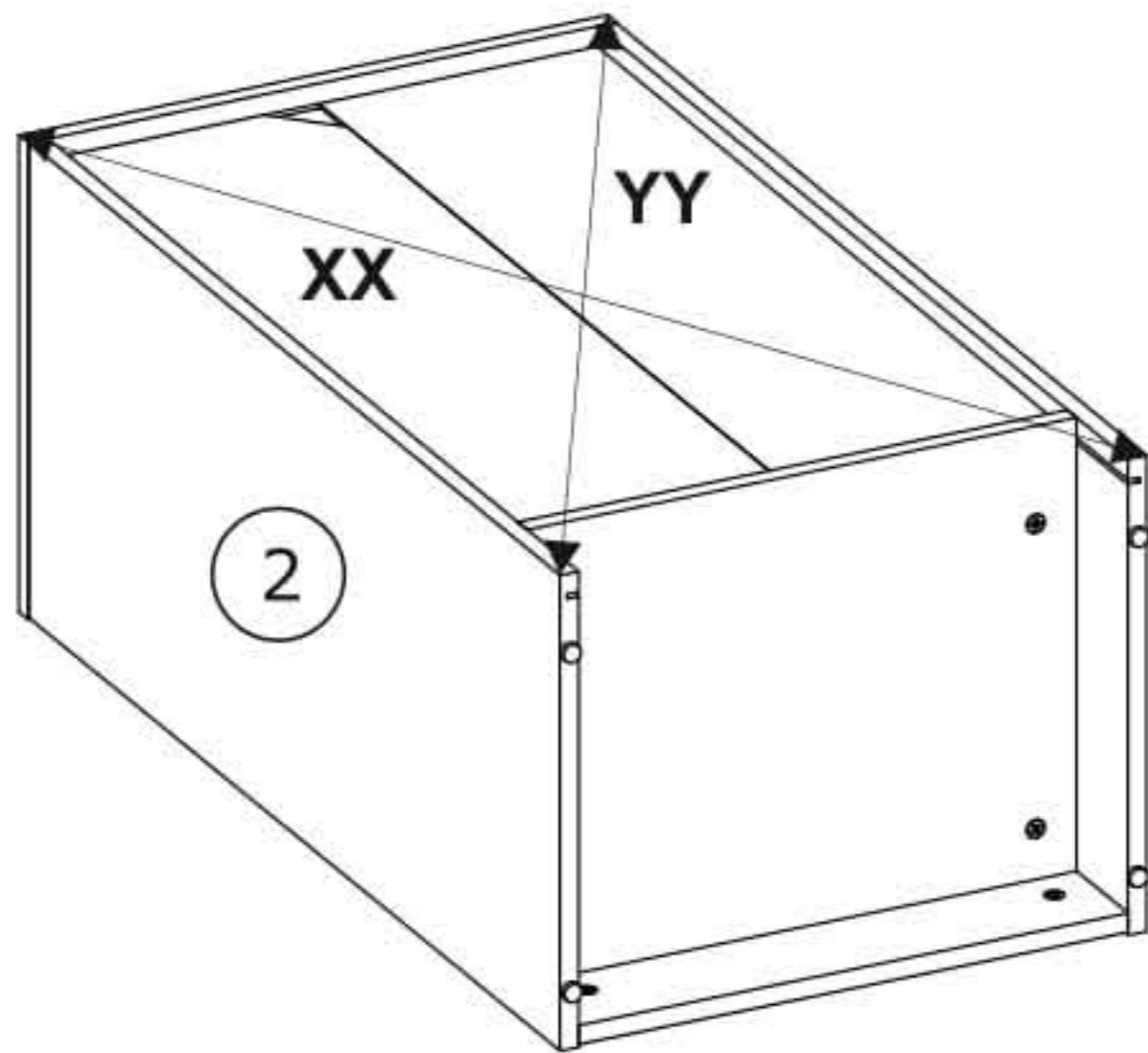
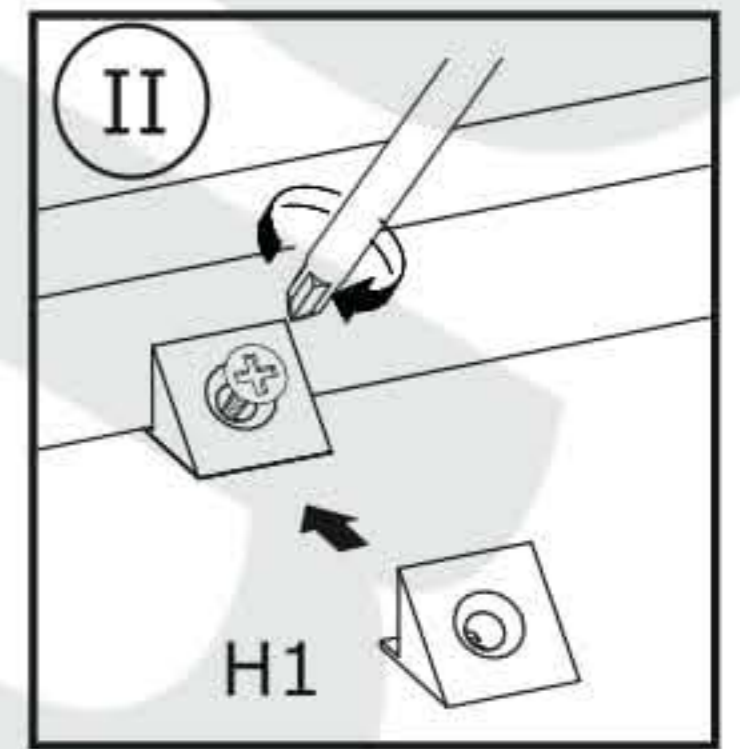
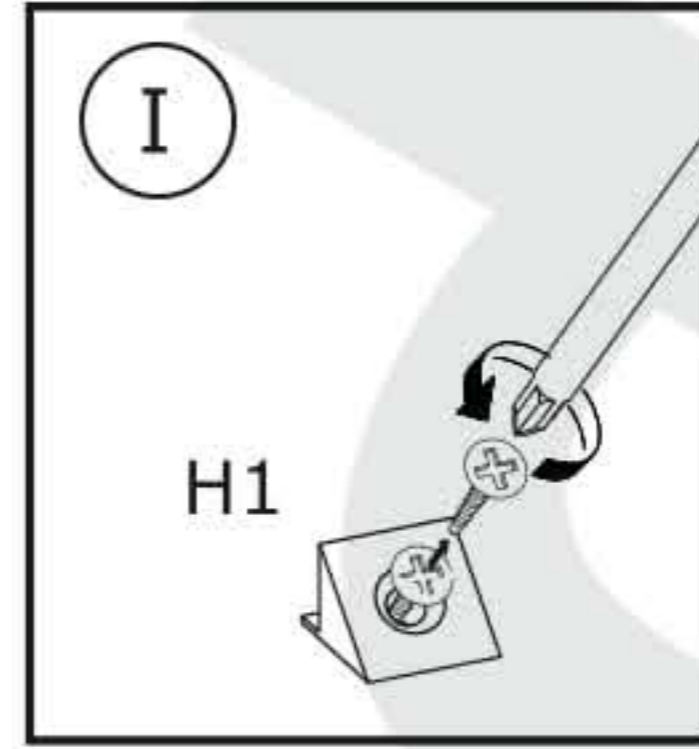


8

H1 x 6  
10x10 mm



$XX = YY \equiv 90^\circ$

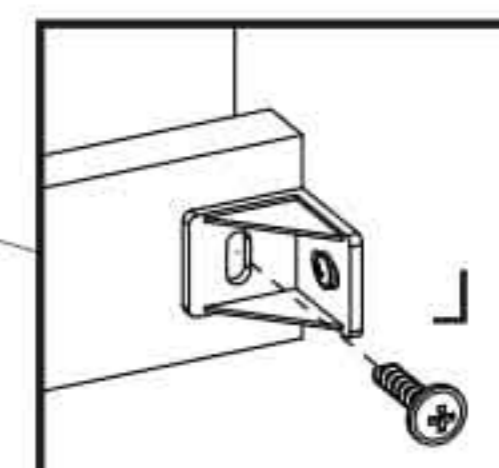
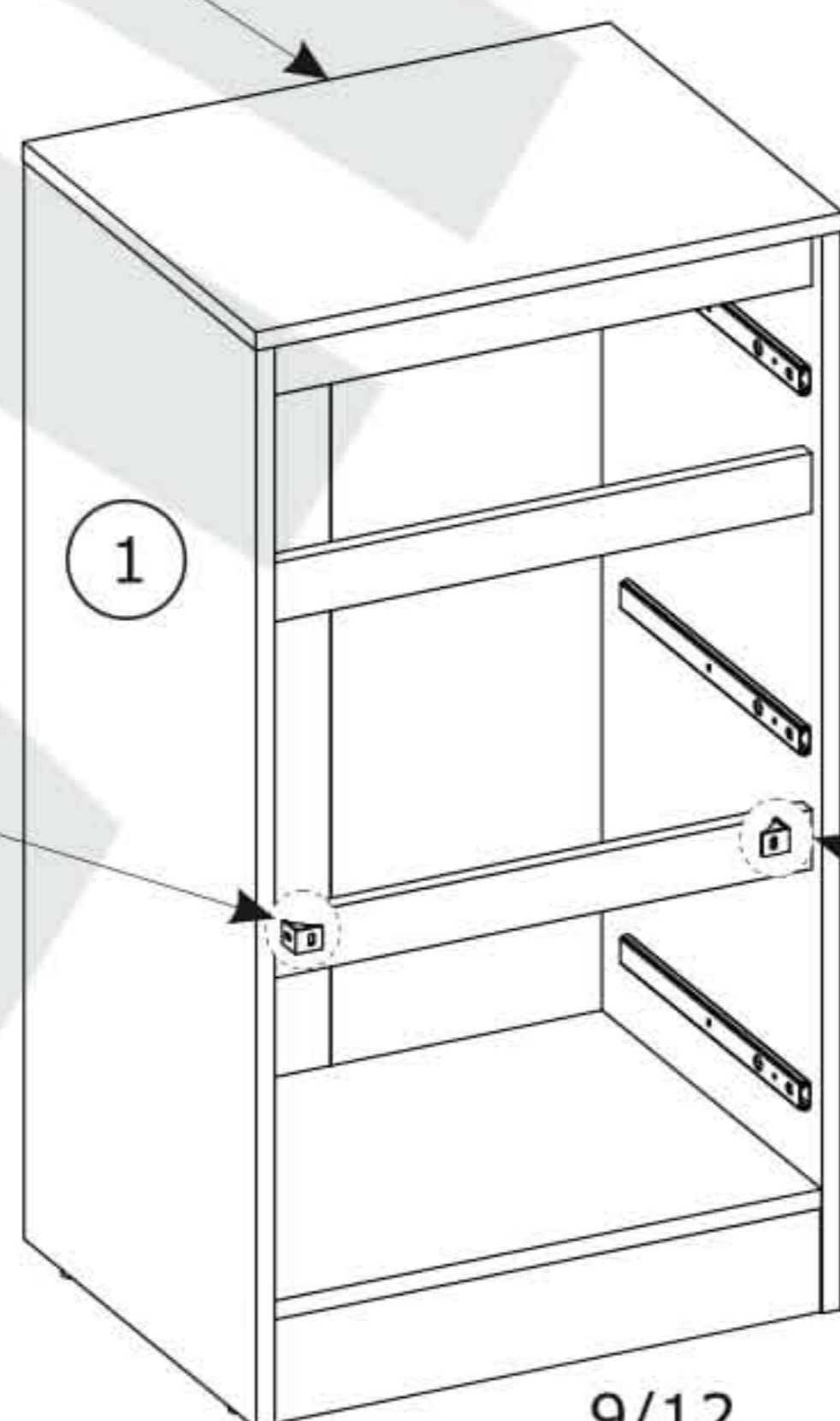
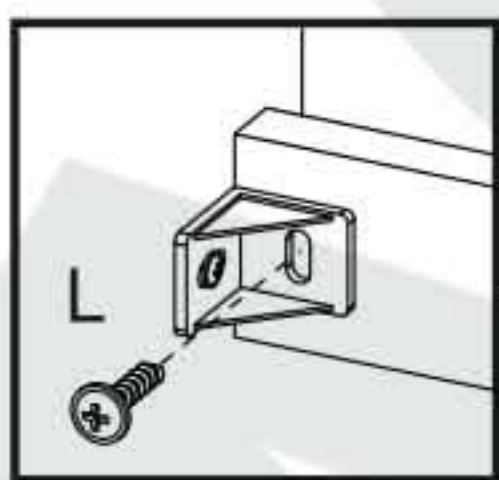
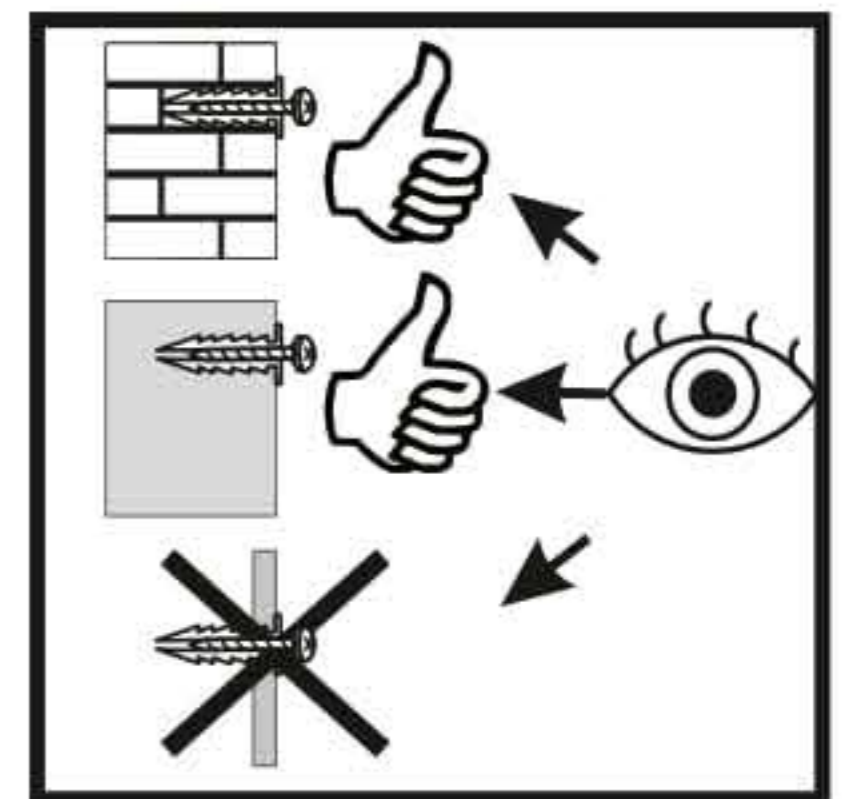
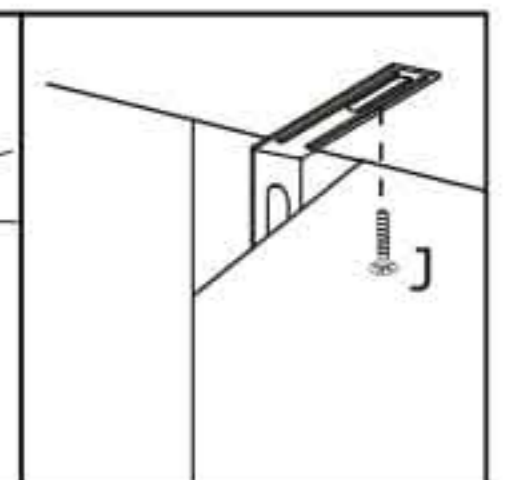
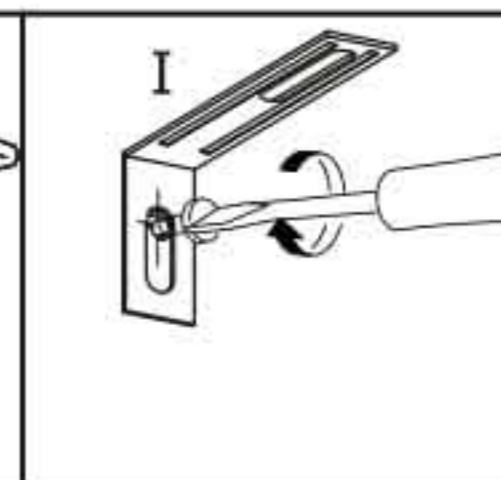
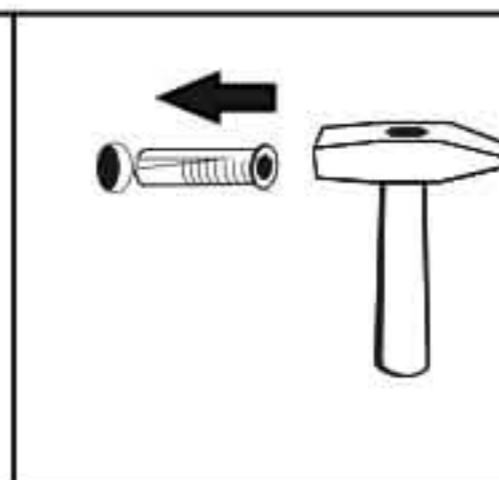
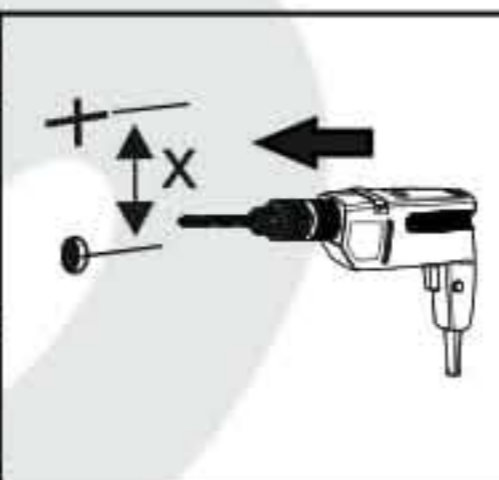
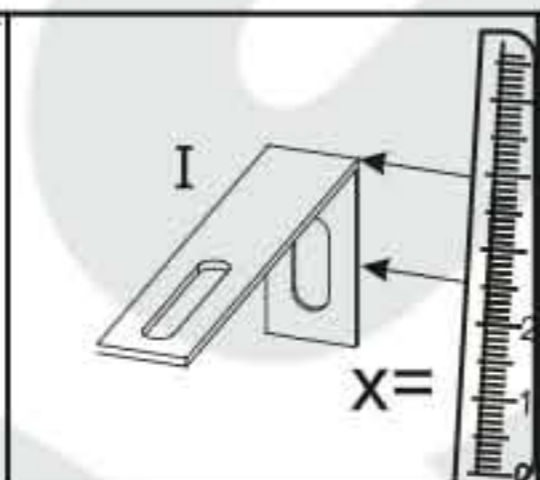
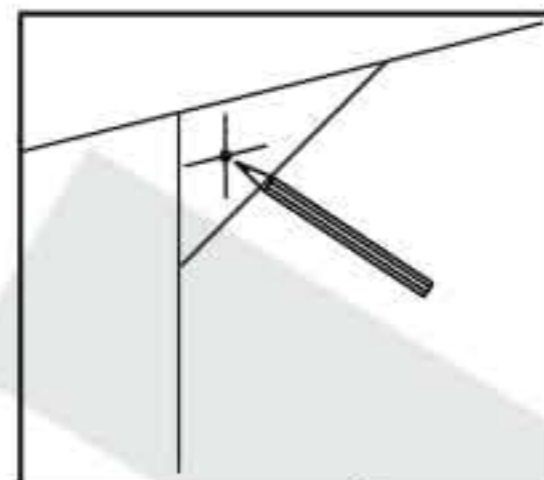
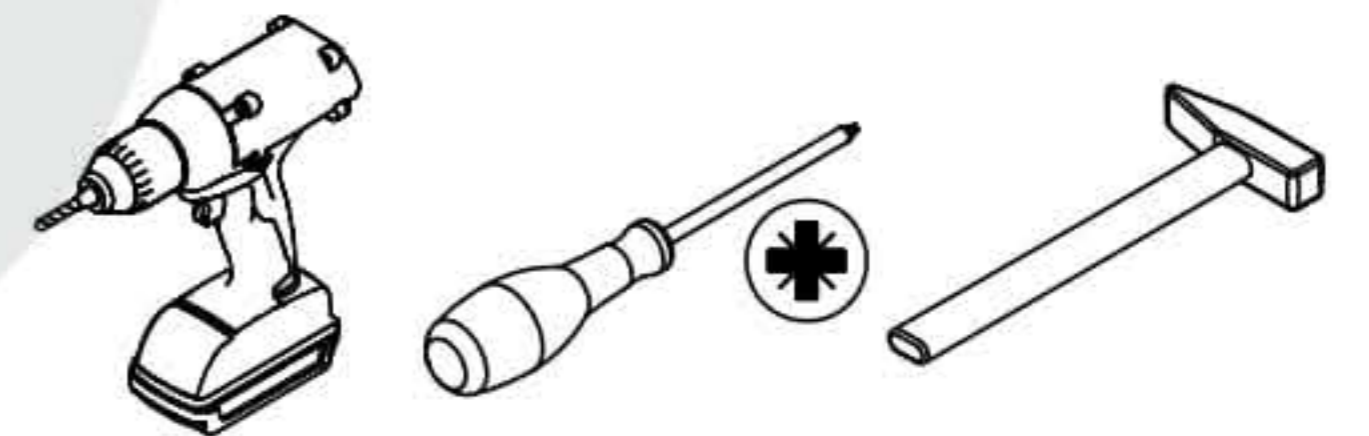


9

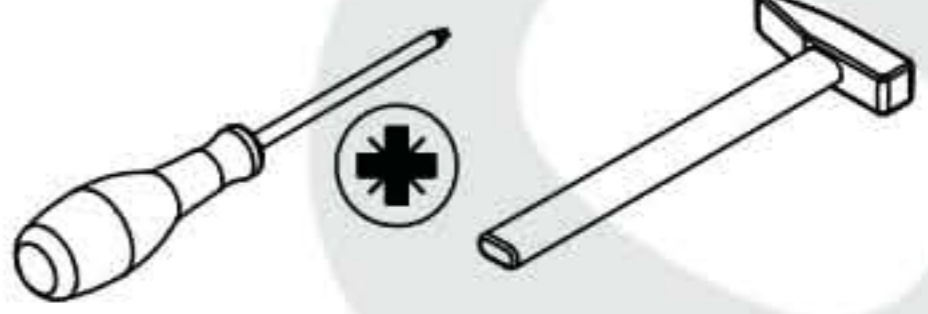
I x 1

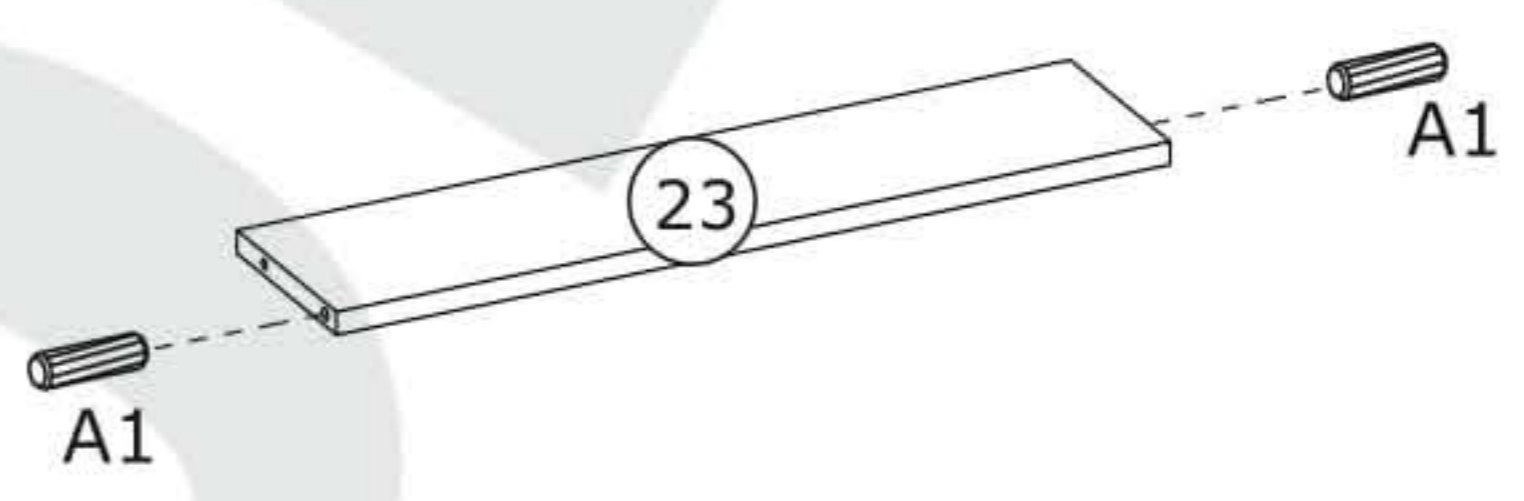
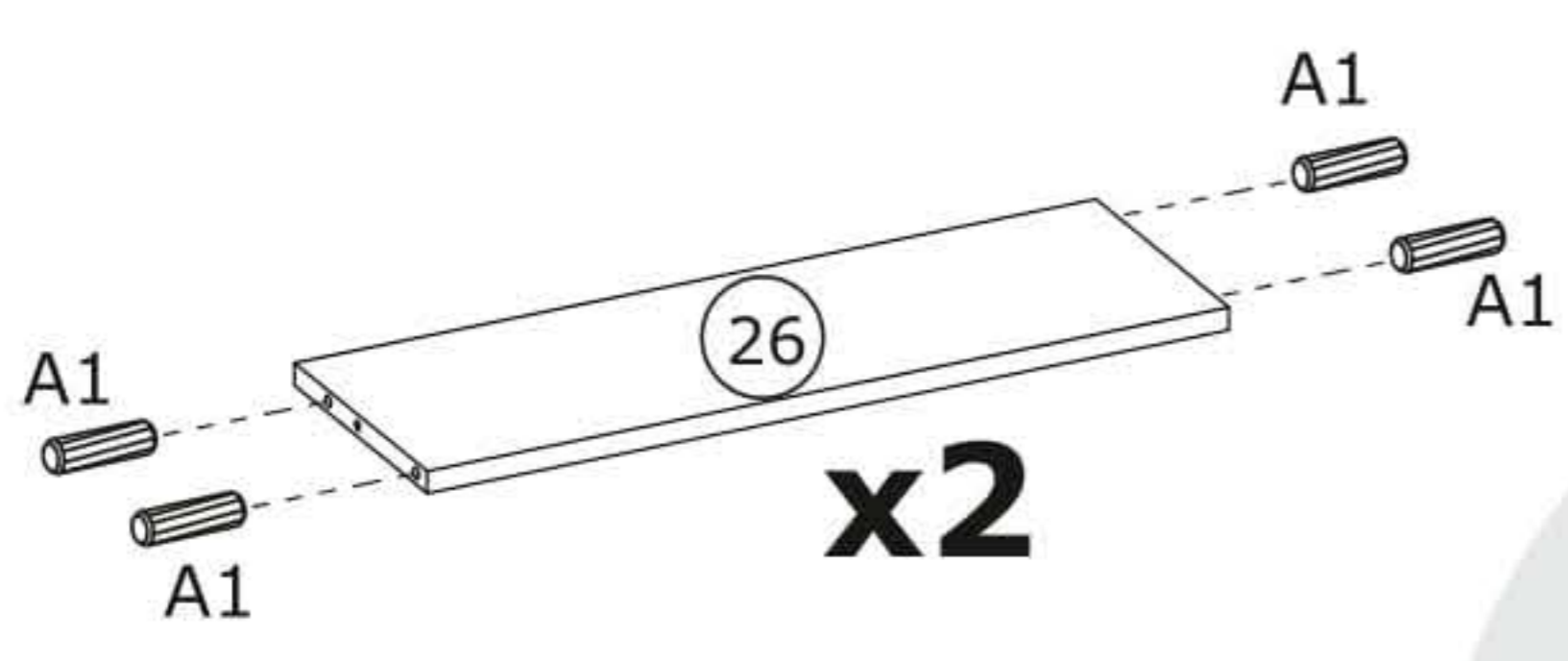
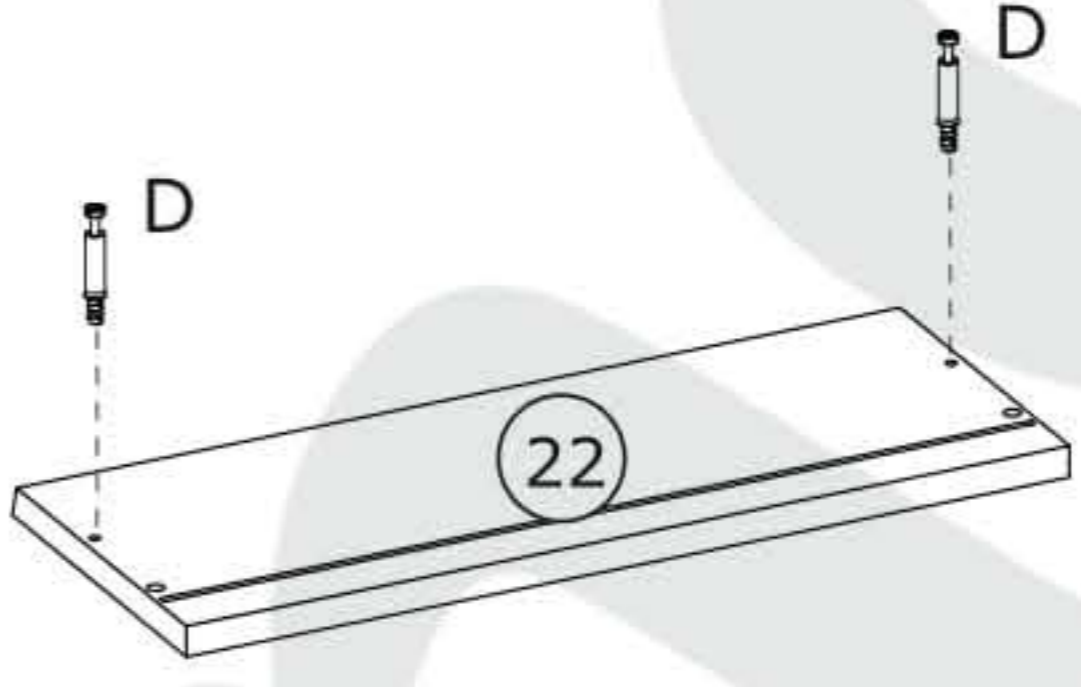
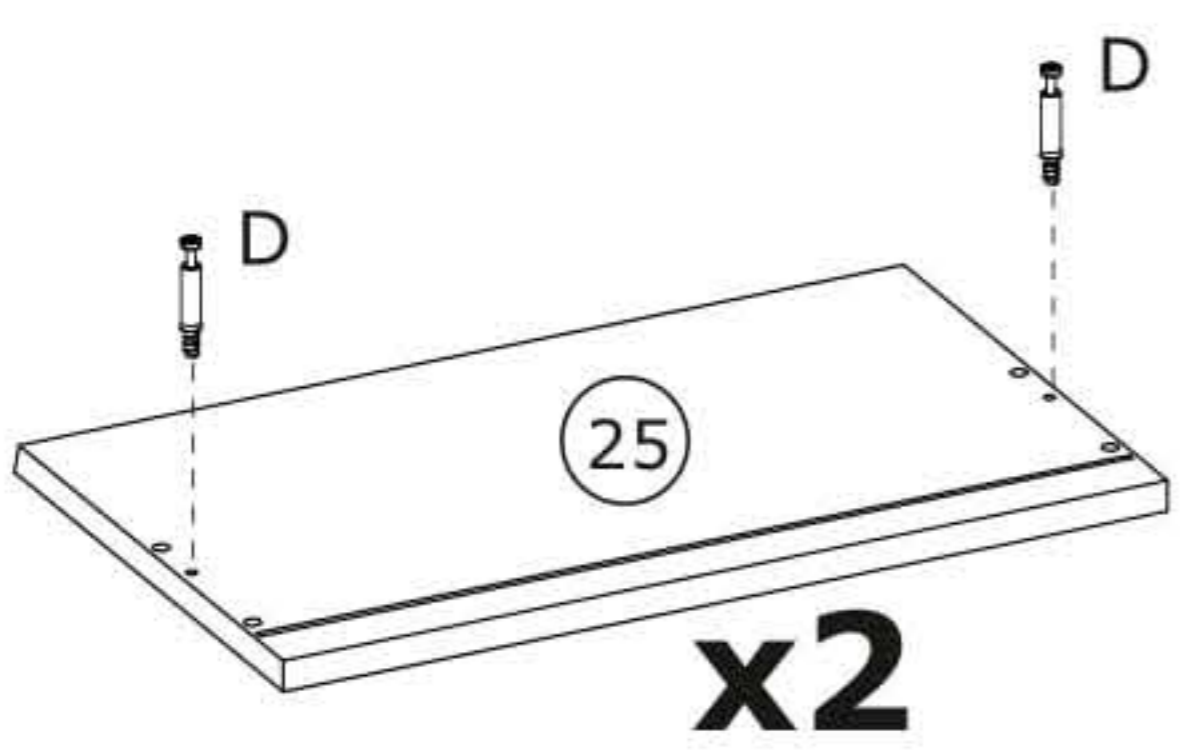
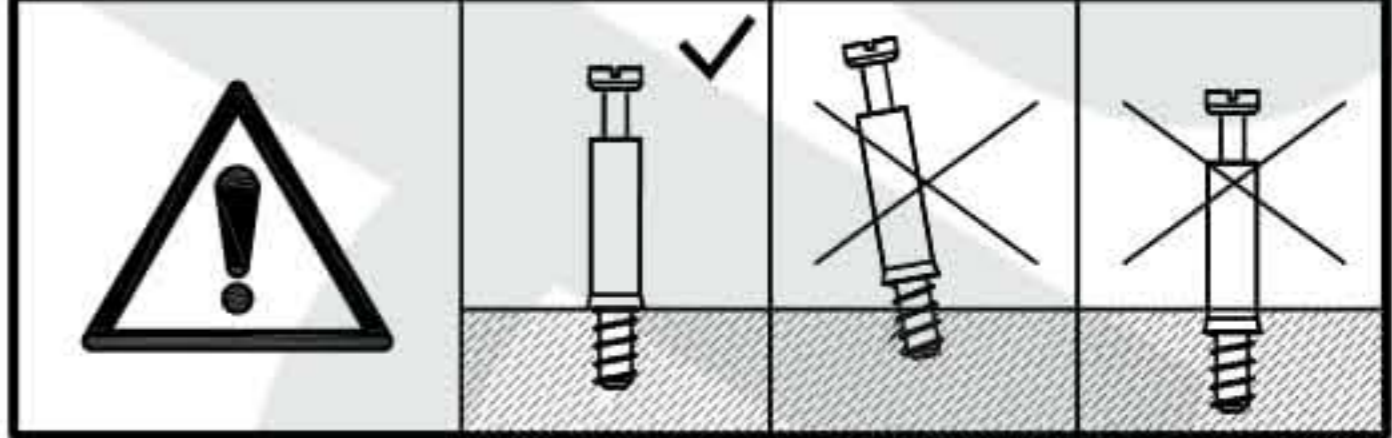
J x 1  
3,5x16 mm

L x 2  
4x16 mm



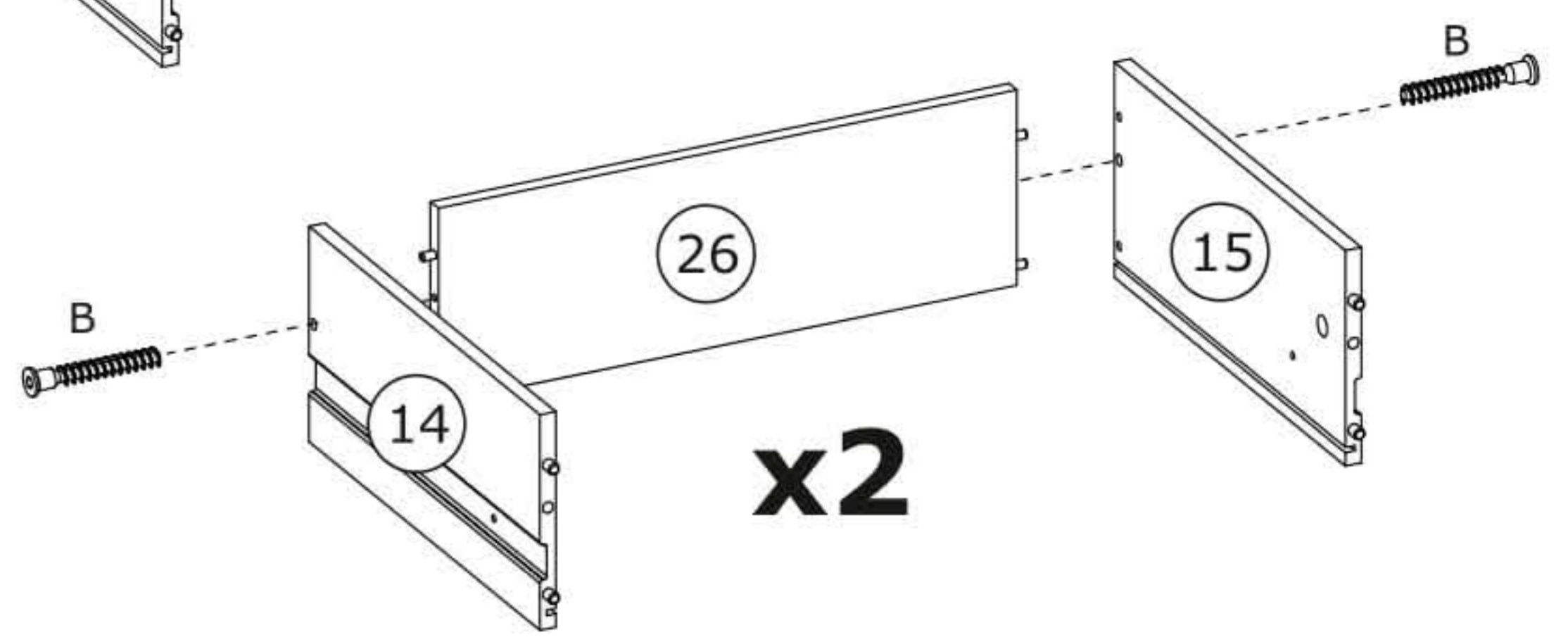
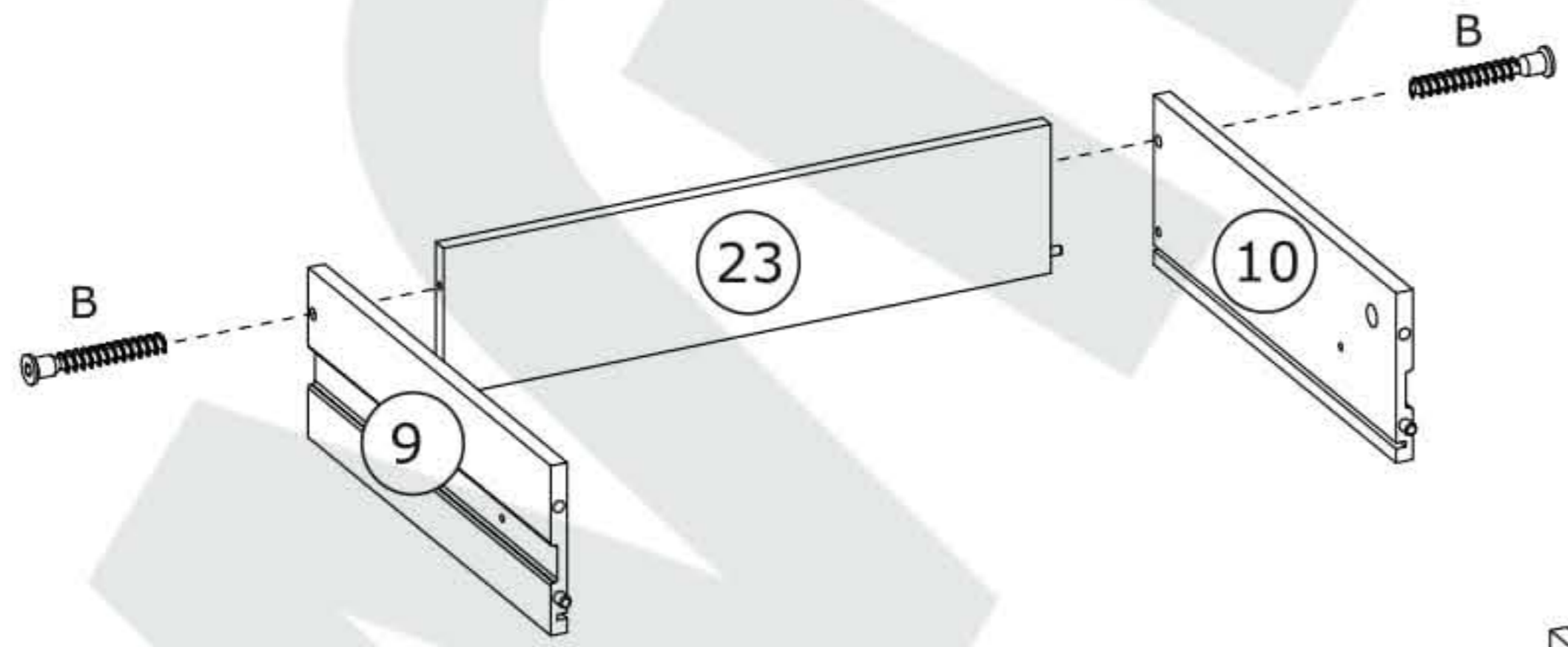
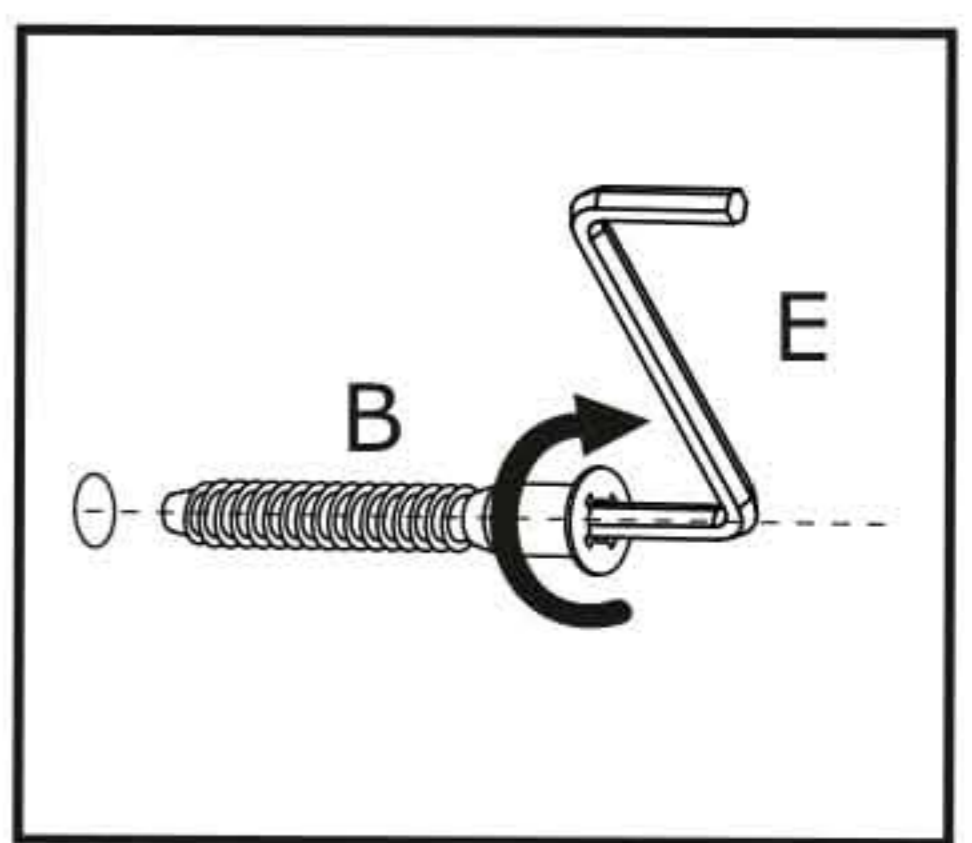
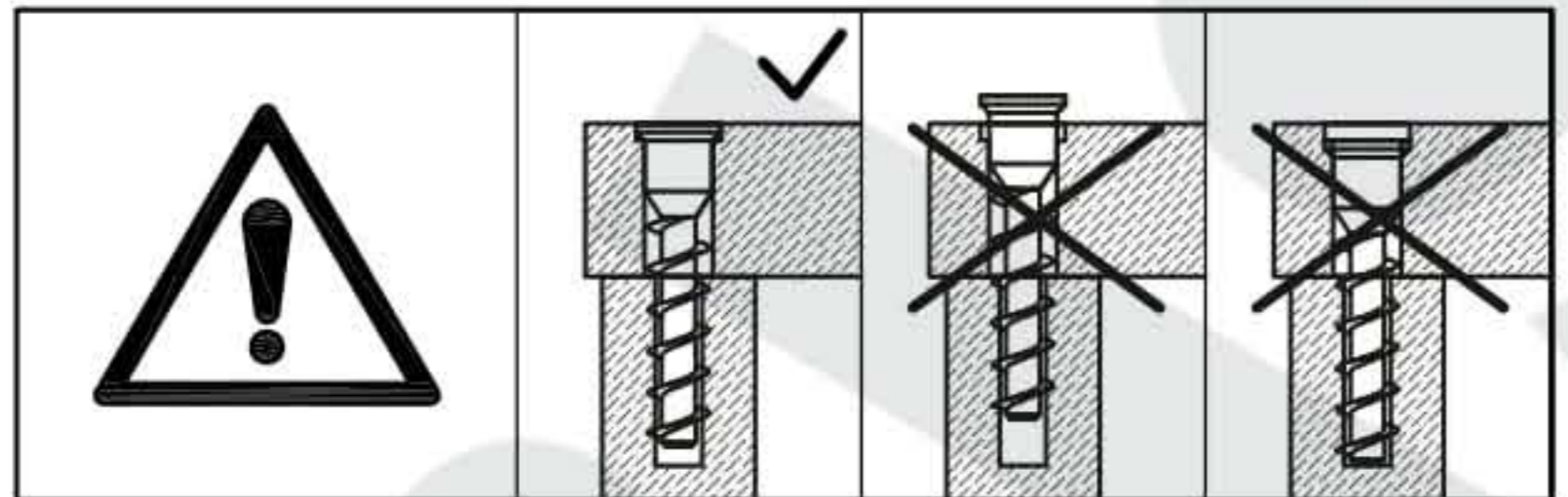
10

A1 x 10  Ø6x30 mm	D x 6  Ø5x44 mm	
--	--	---




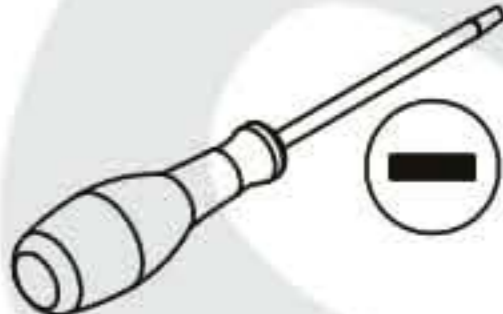


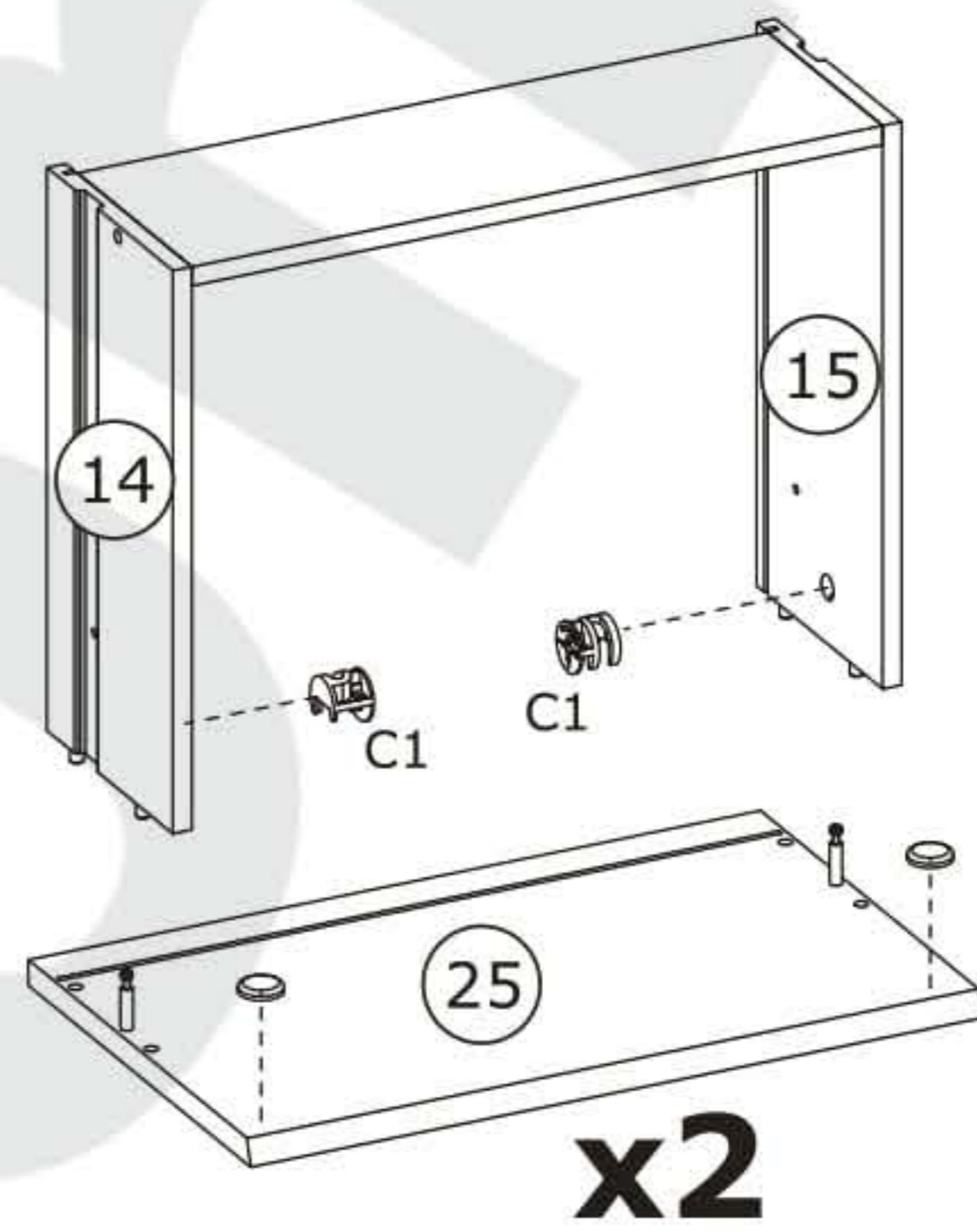
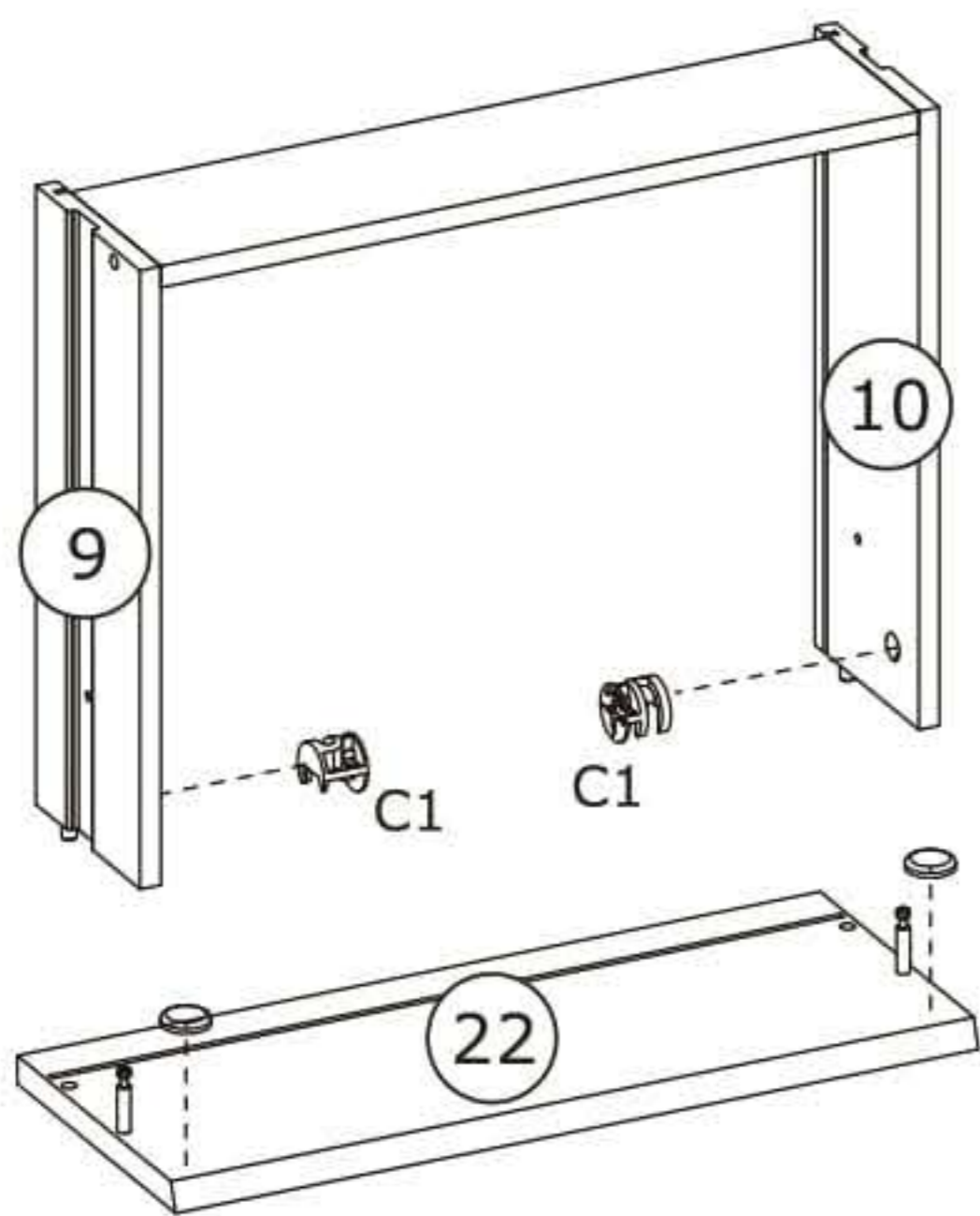
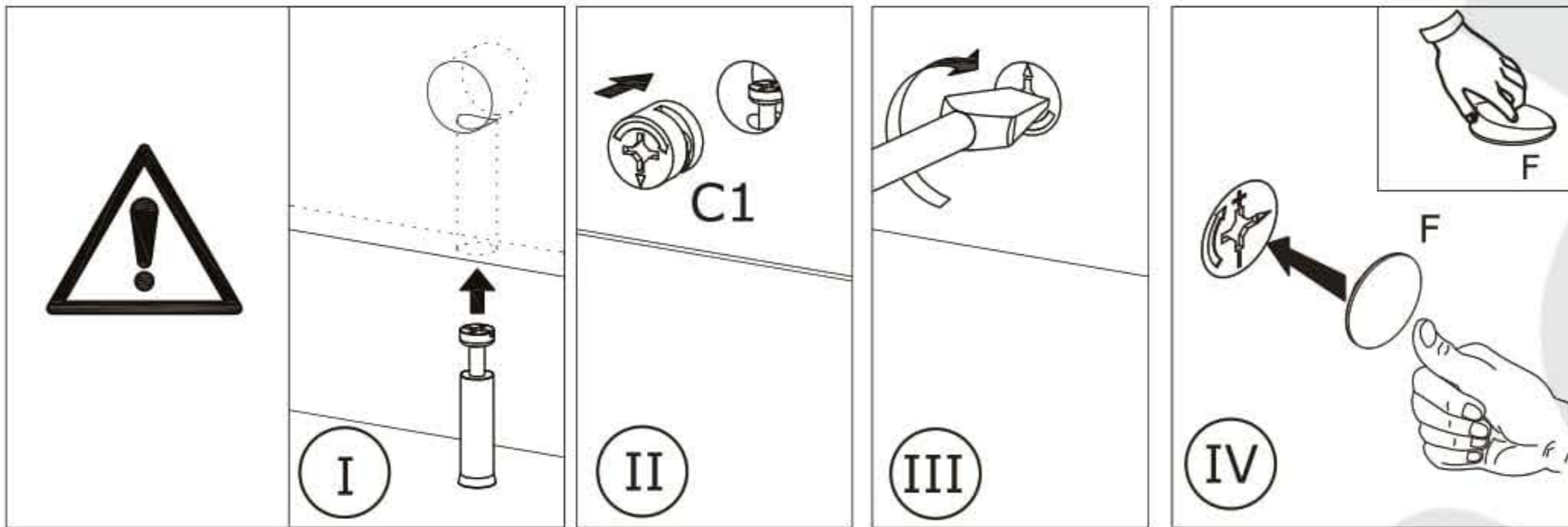
11

B x 6  Ø7x50 mm	E x 1  4 mm	
--	--	--

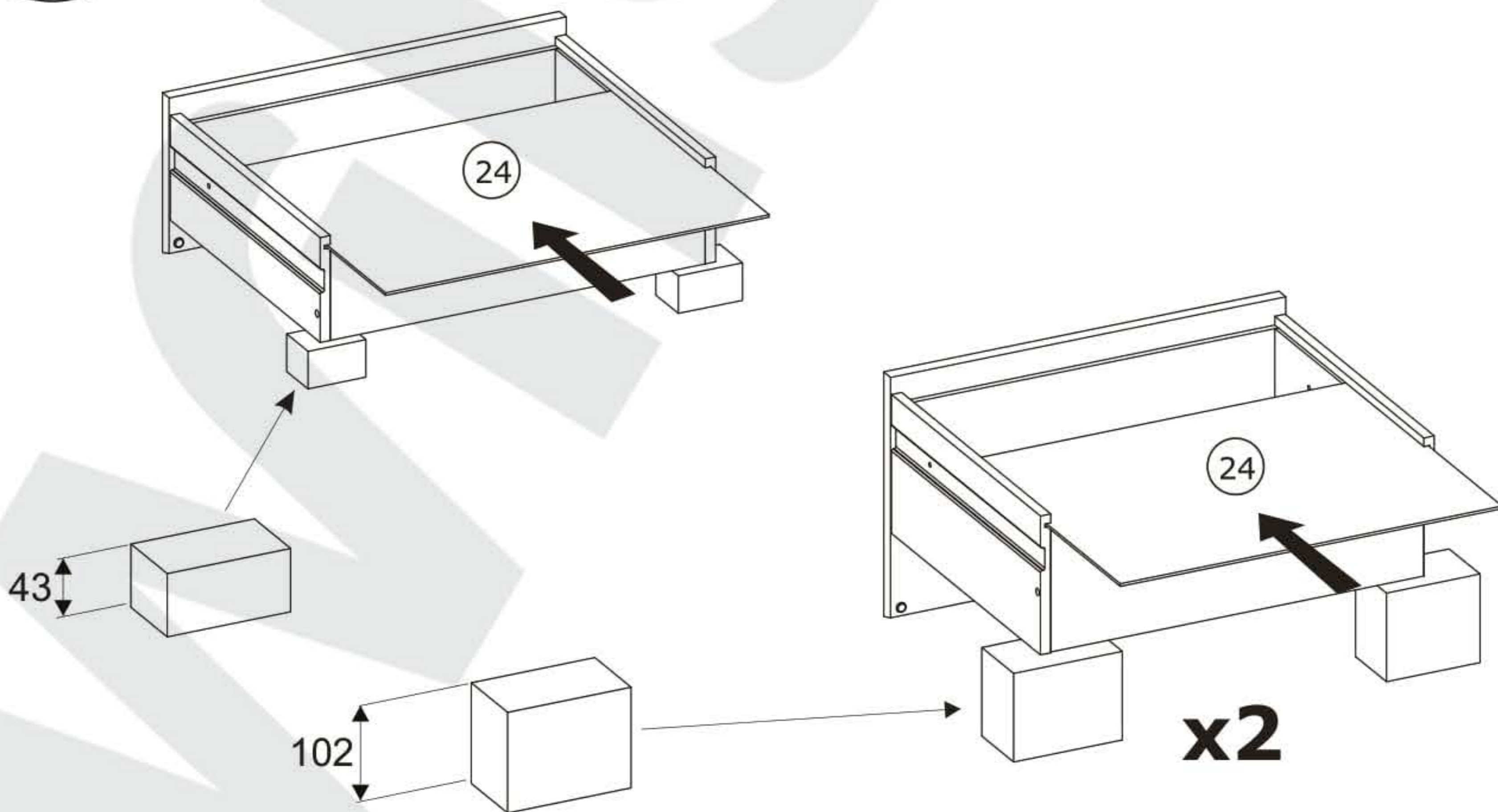


12

C1 x 6  Ø15x10 mm	F x 6  20 mm	AA x 6 	
--	---	---	---



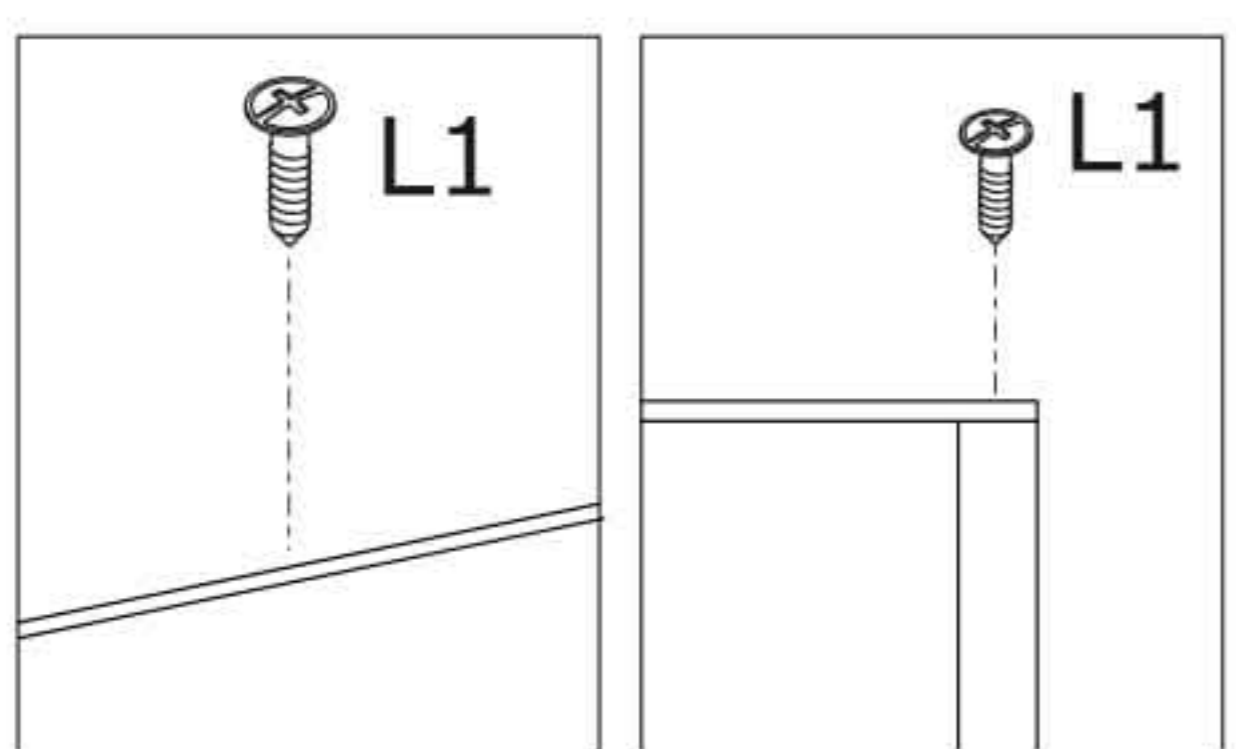
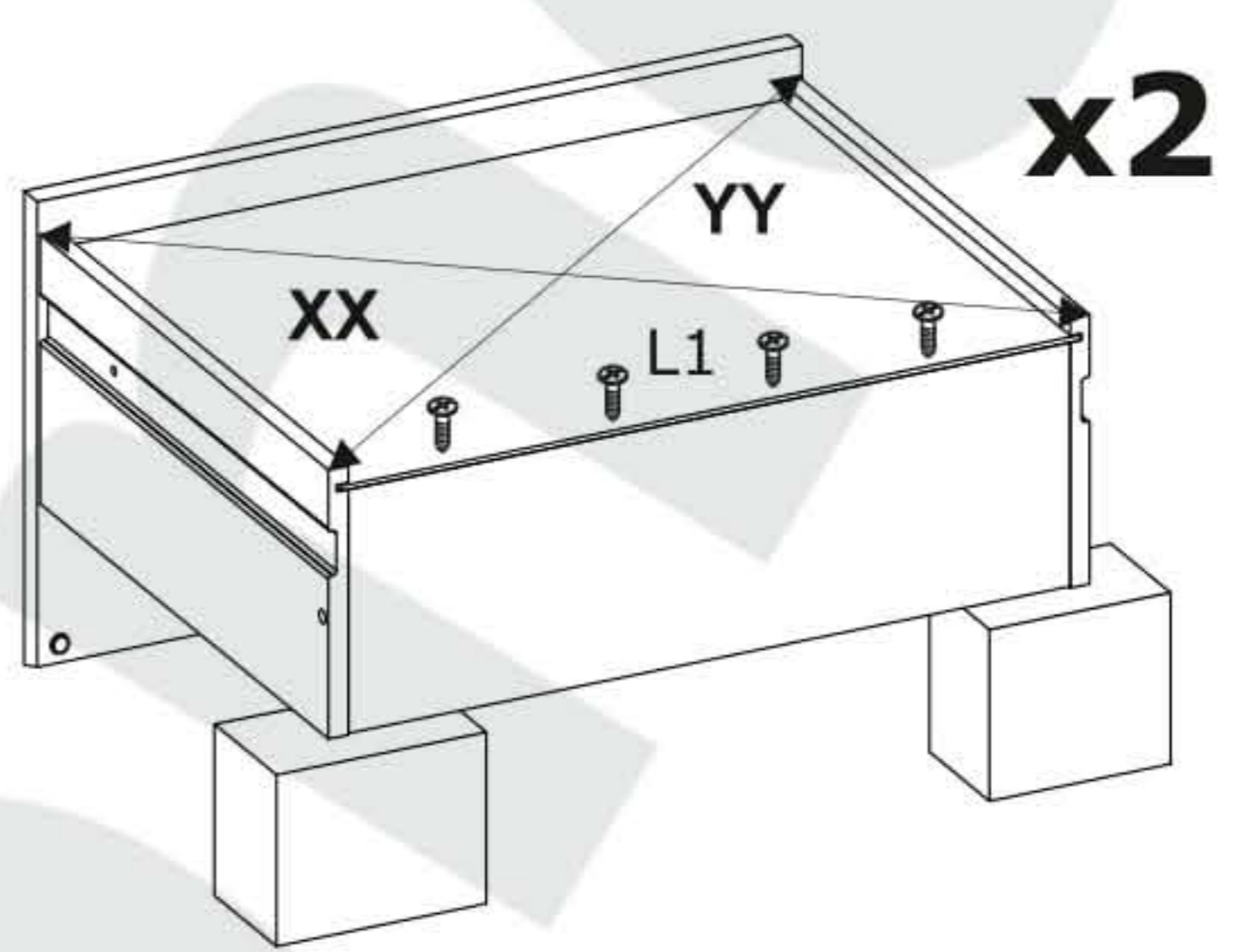
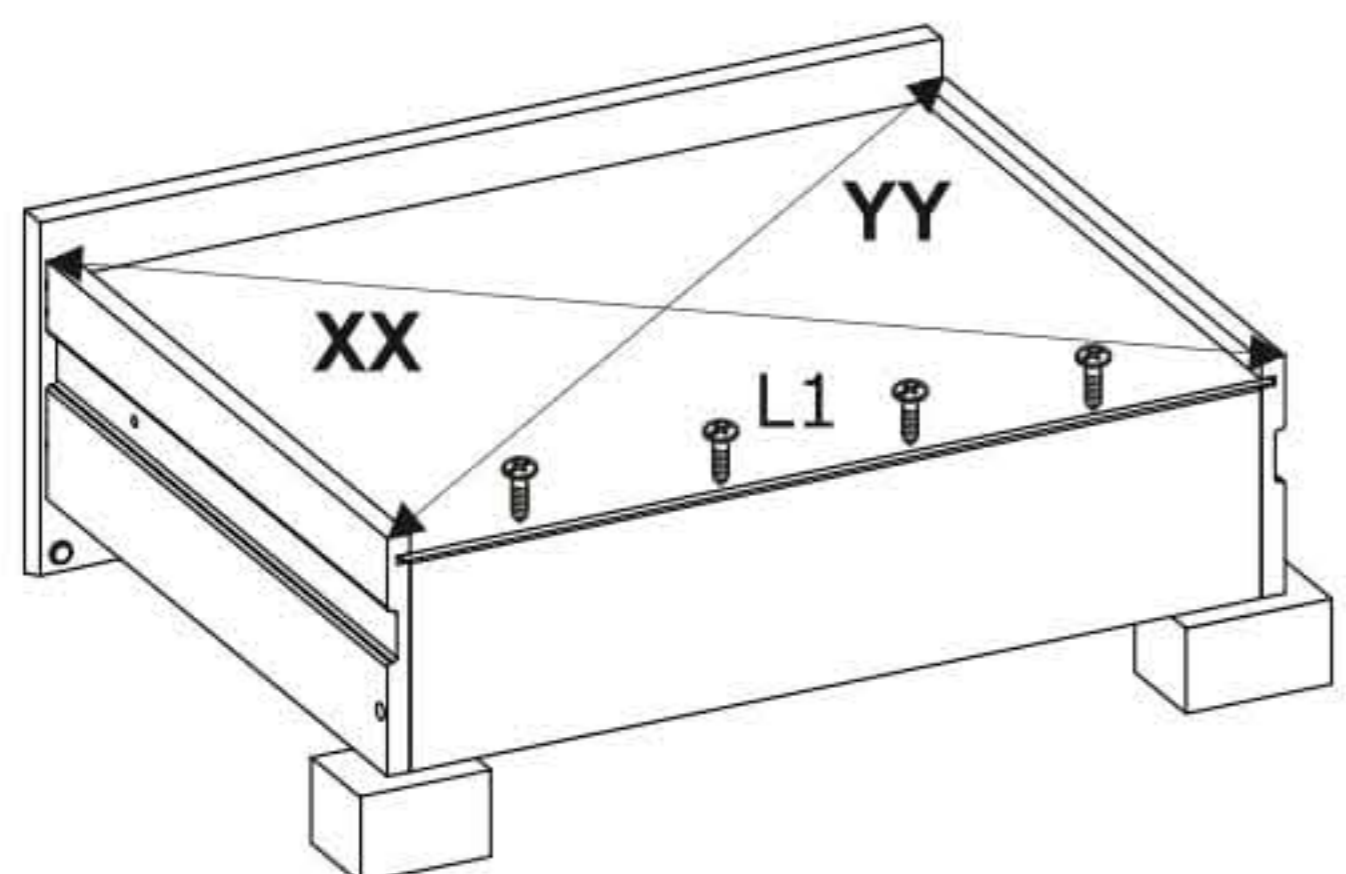
13



14

L1 x 12  Ø3x20 mm	 
--	--

  $XX=YY\equiv 90^\circ$



15

Q x 6  4x9 mm	
--	---

