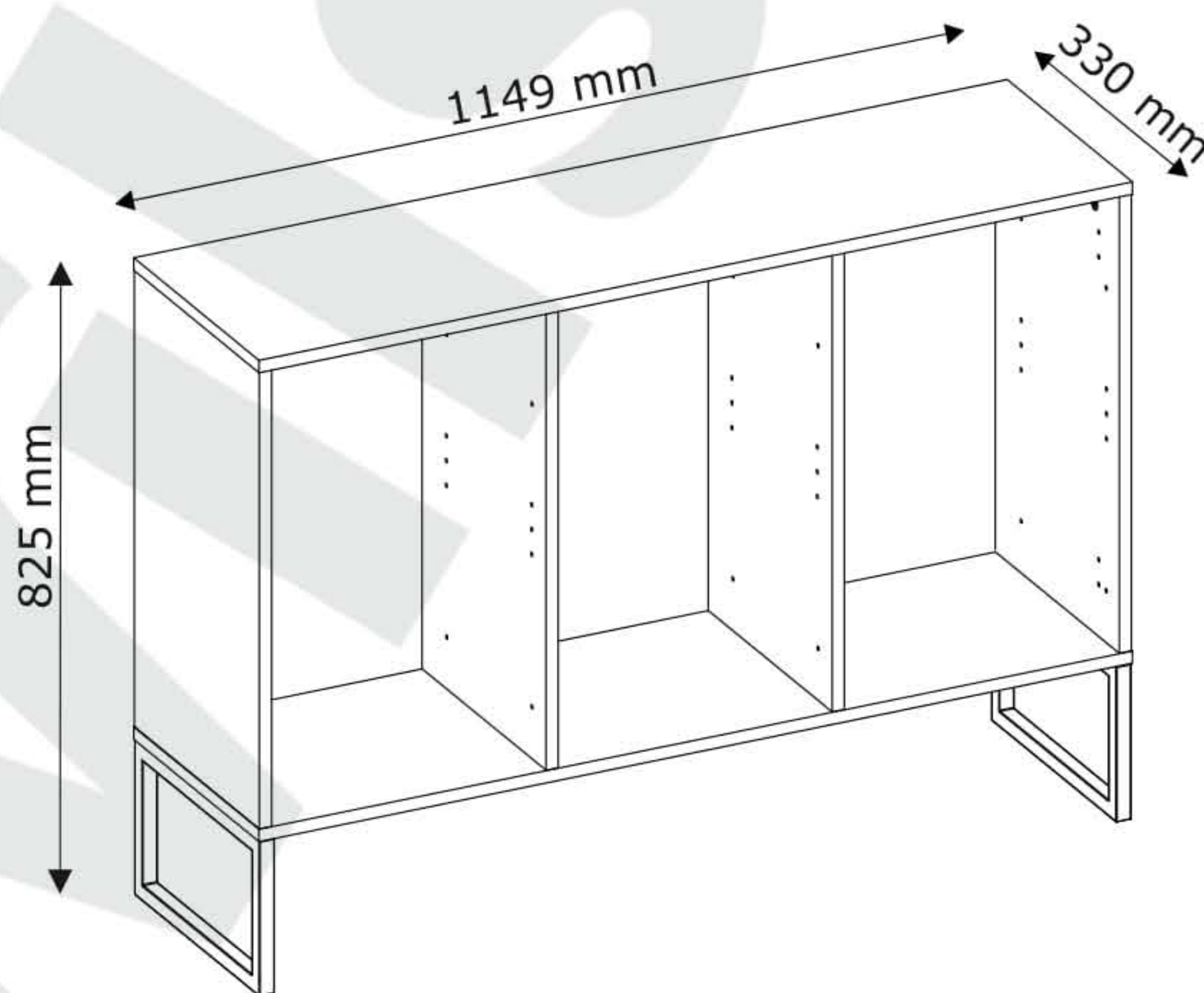
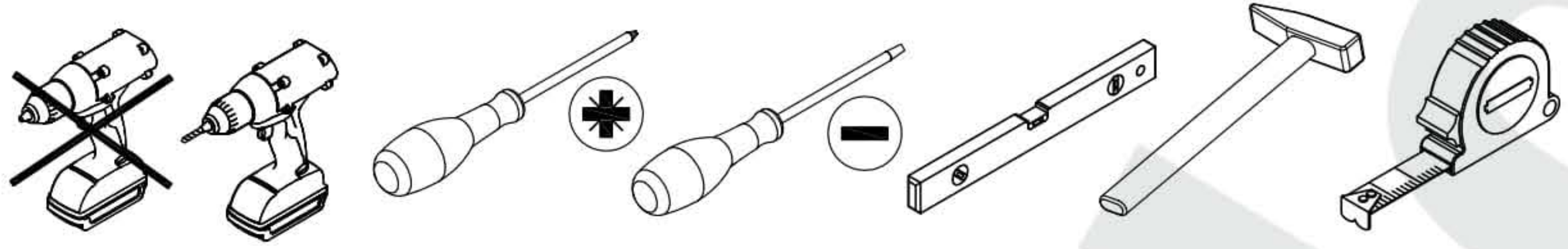
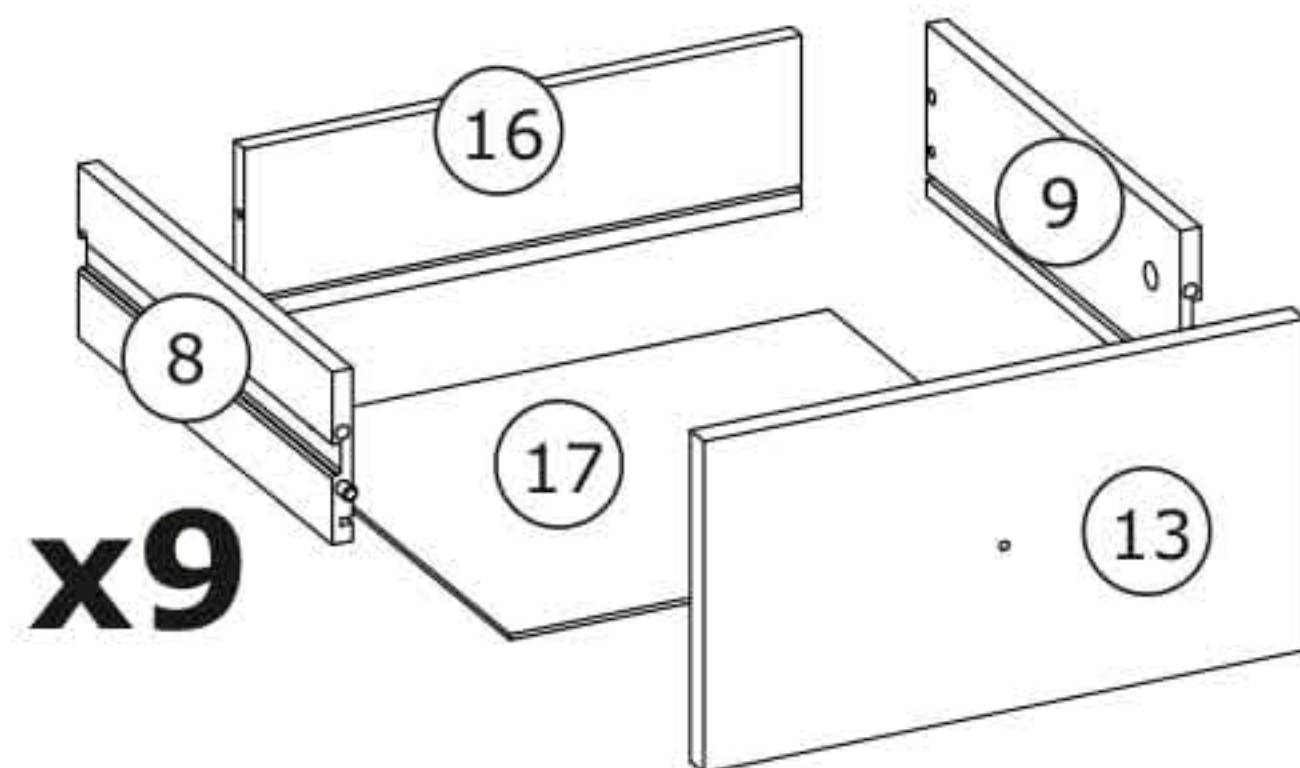
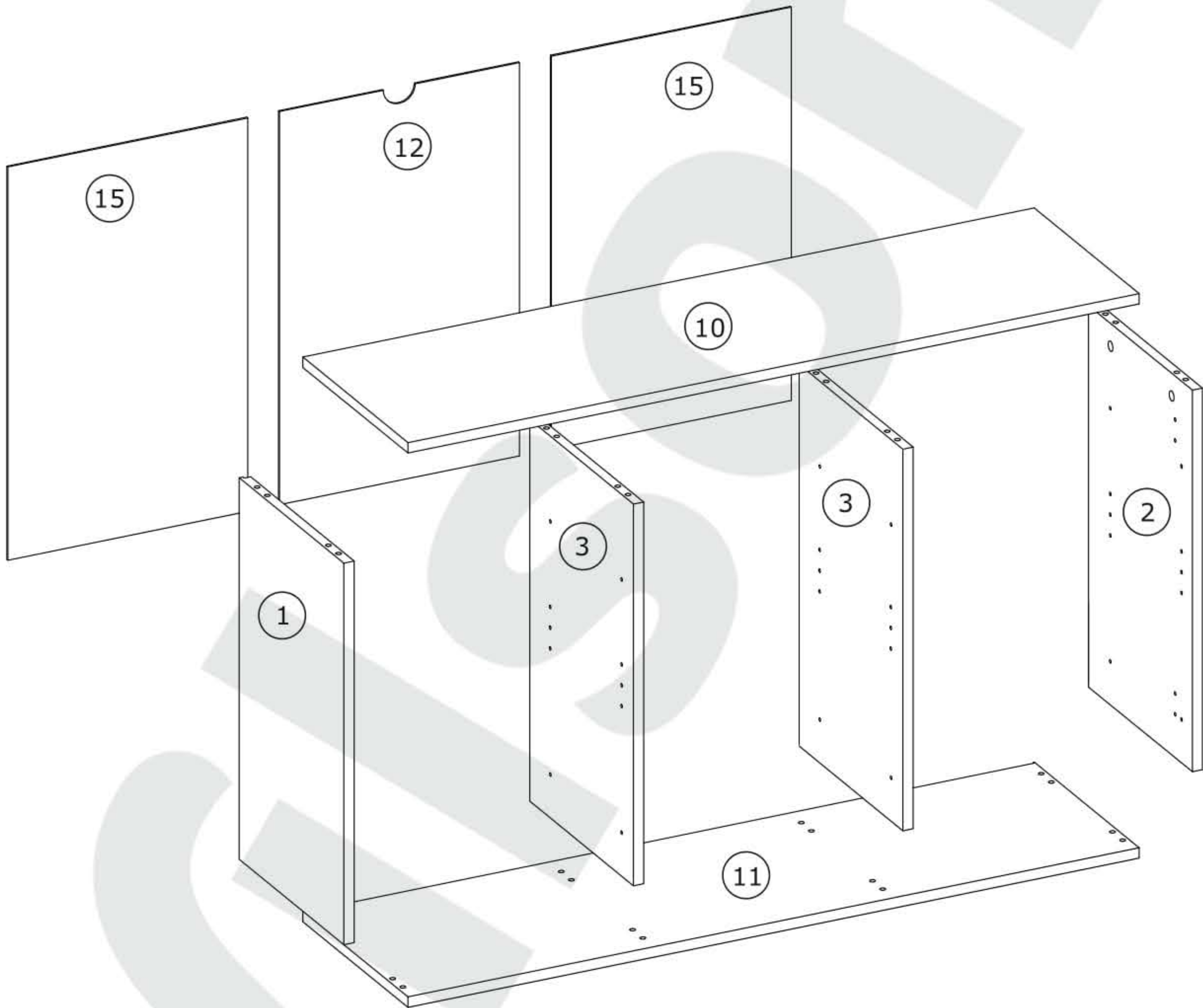
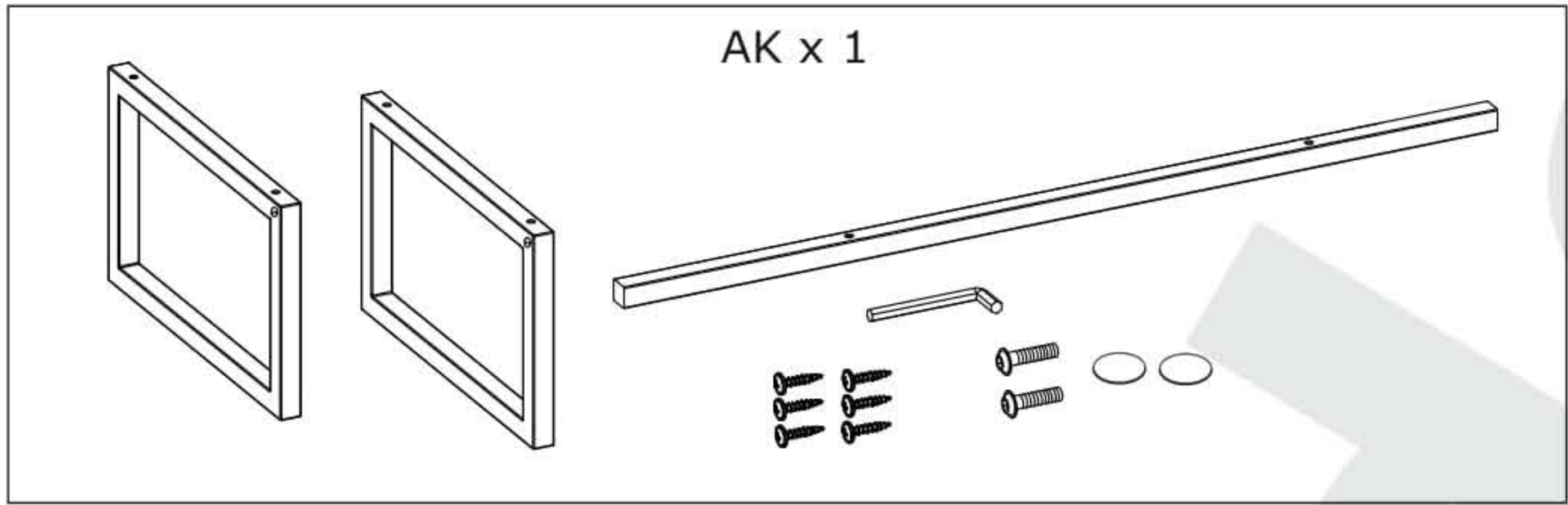


Linea 5 Cabinet 9S

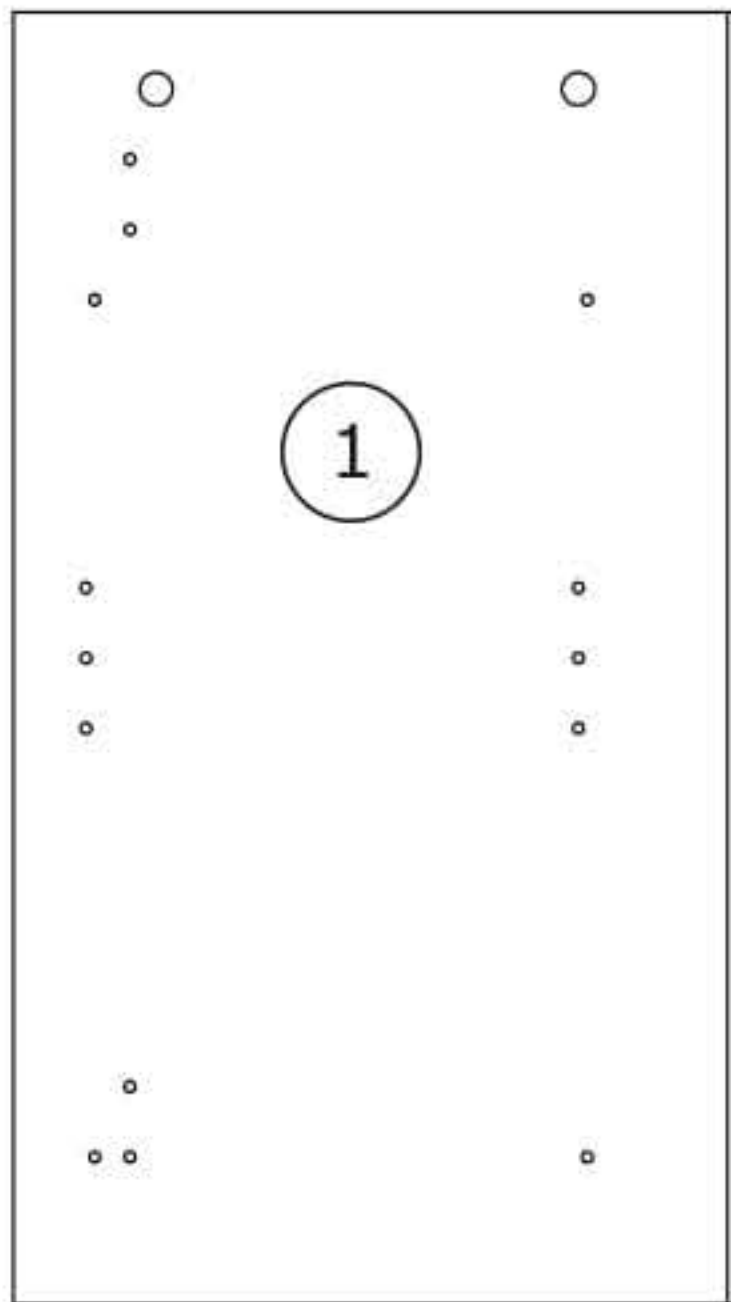




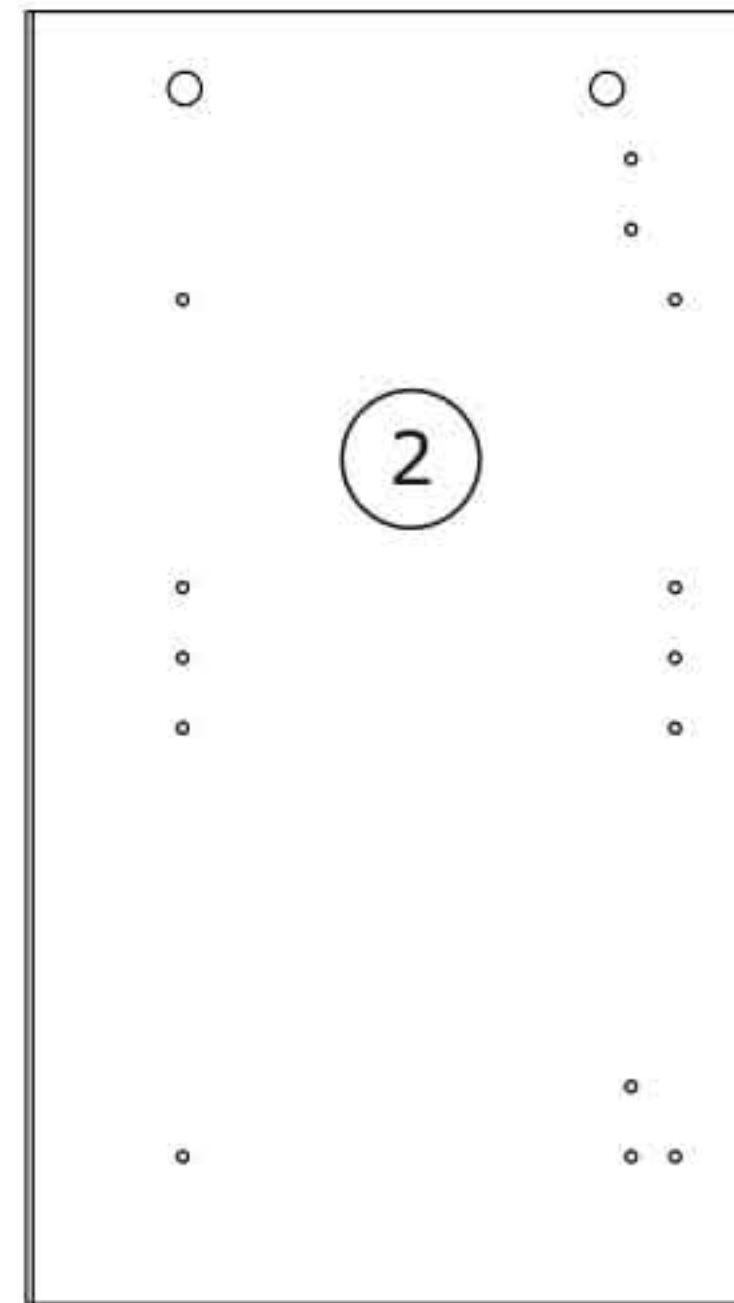
<p>A x 16</p>  <p>Ø8x35 mm</p>	<p>A1 x 18</p>  <p>Ø6x30 mm</p>	<p>B x 26</p>  <p>Ø7x50 mm</p>	<p>C x 8</p>  <p>Ø15x12 mm</p>
<p>C1 x 18</p>  <p>Ø12x10 mm</p>	<p>D x 26</p>  <p>Ø5x44 mm</p>	<p>E x 1</p>  <p>4 mm</p>	<p>F x 8</p>  <p>20 mm</p>
<p>F1 x 18</p>  <p>20 mm</p>	<p>G x 40</p>  <p>1,2x25 mm</p>	<p>H x 8</p>  <p>22x9x2 mm</p>	<p>I x 1</p> 
<p>J x 1</p>  <p>3,5x16 mm</p>	<p>M1 x 36</p>  <p>Ø6,3x9,5 mm</p>	<p>N1 x 18</p>  <p>278 mm</p>	
<p>P x 9</p> 	<p>Q x 18</p>  <p>4x9 mm</p>		



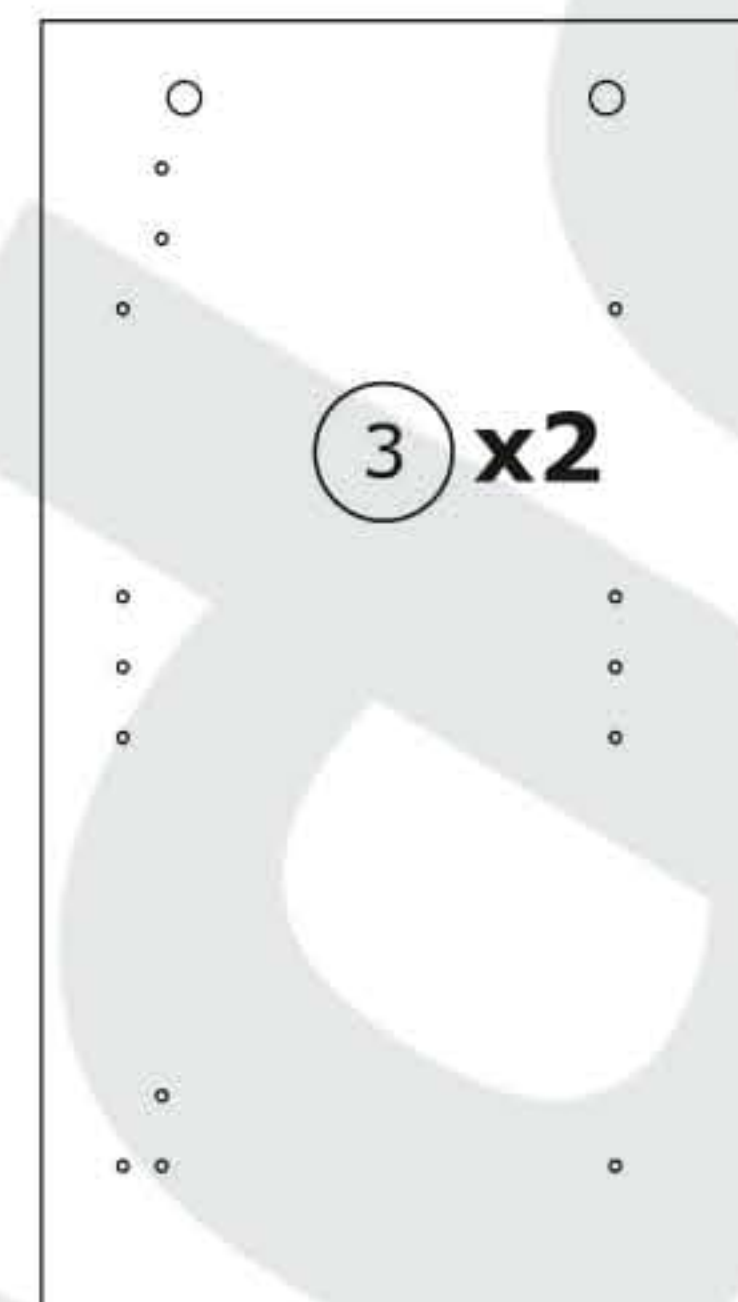
BOX 1/1:



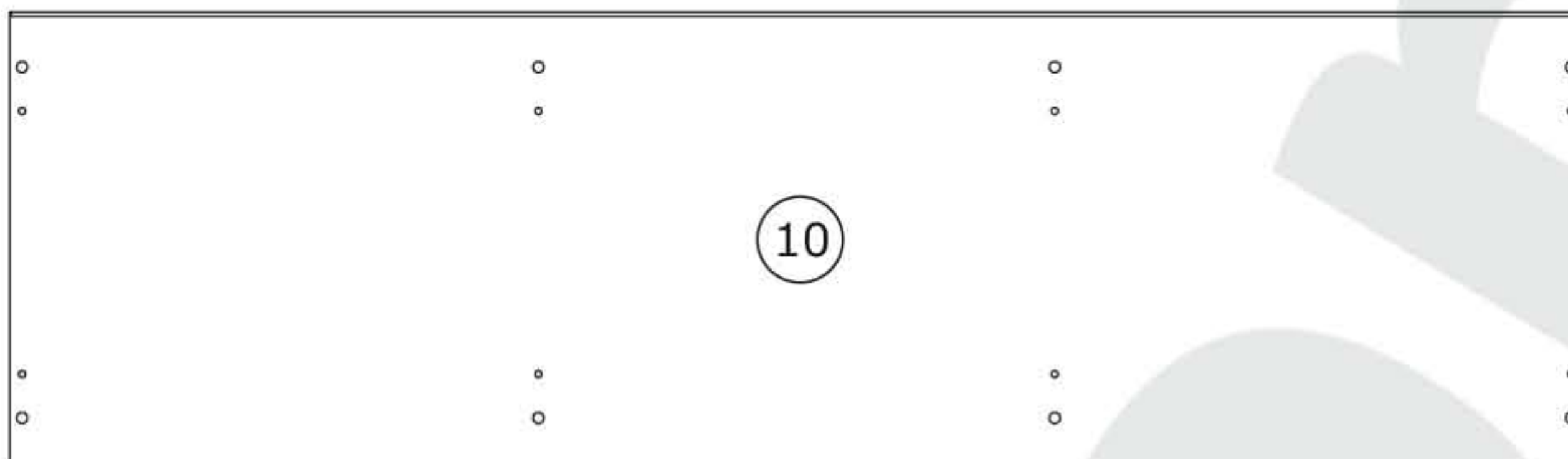
588x329x16 mm



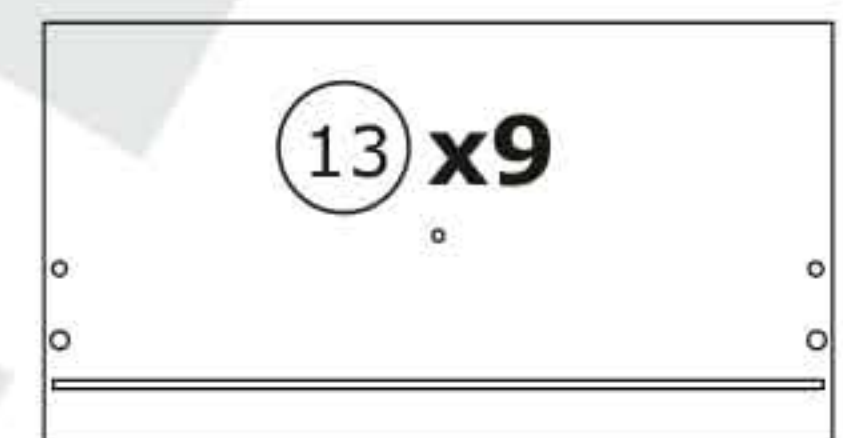
588x329x16 mm



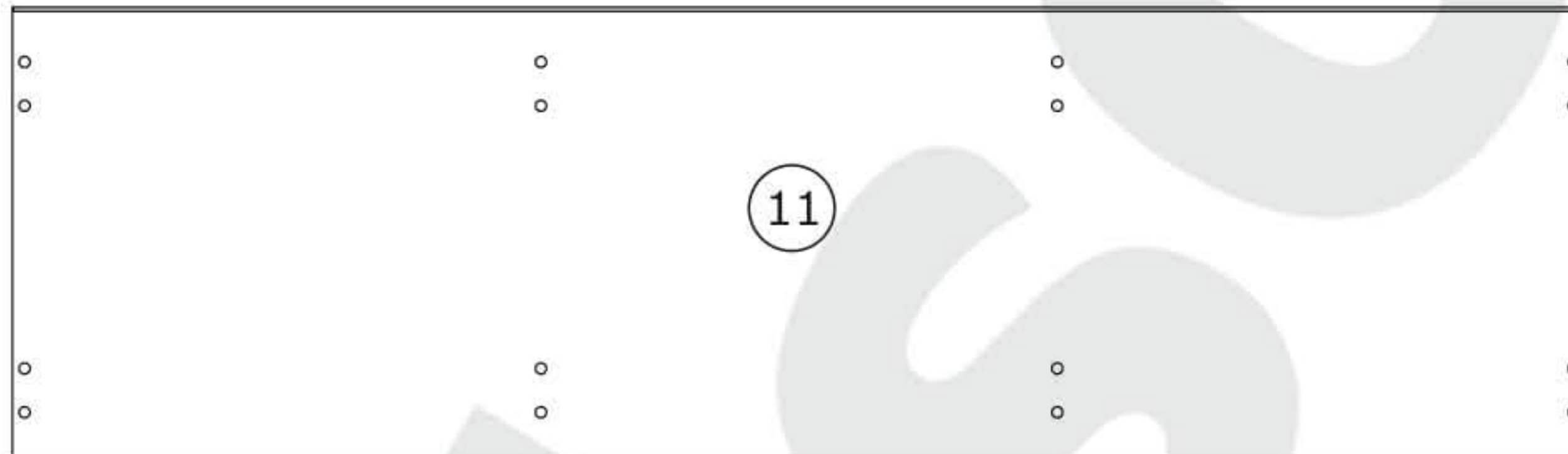
588x326x16 mm



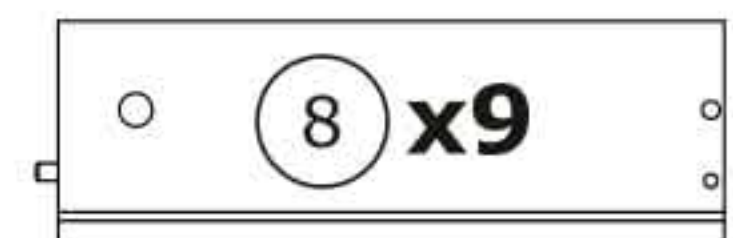
1149x330x16 mm



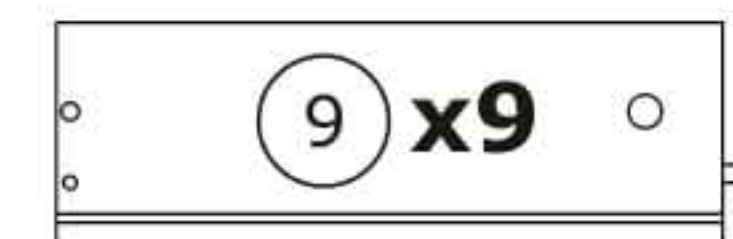
355x192x16 mm



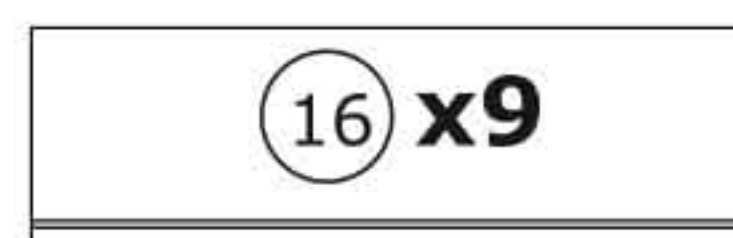
1149x330x16 mm



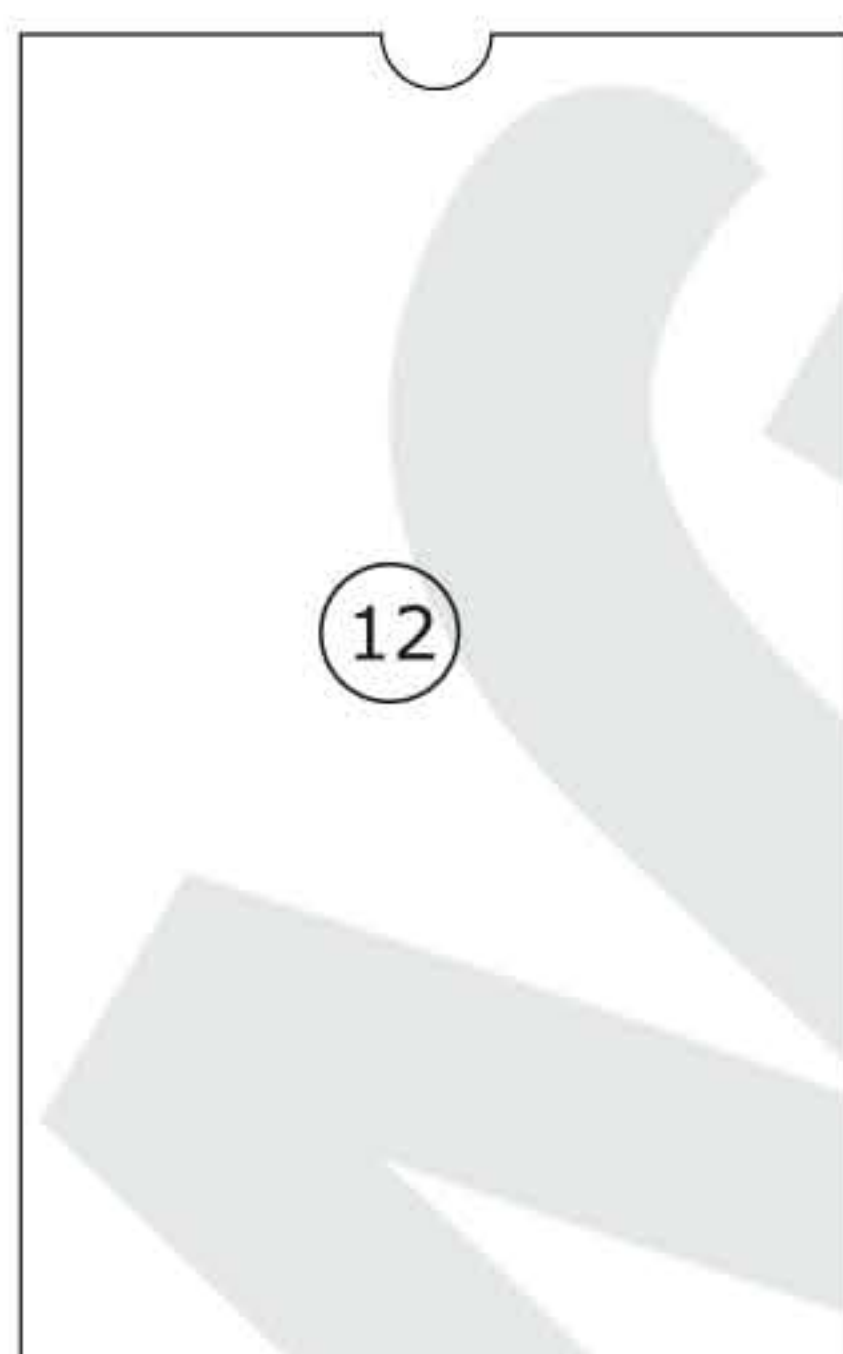
300x100x12 mm



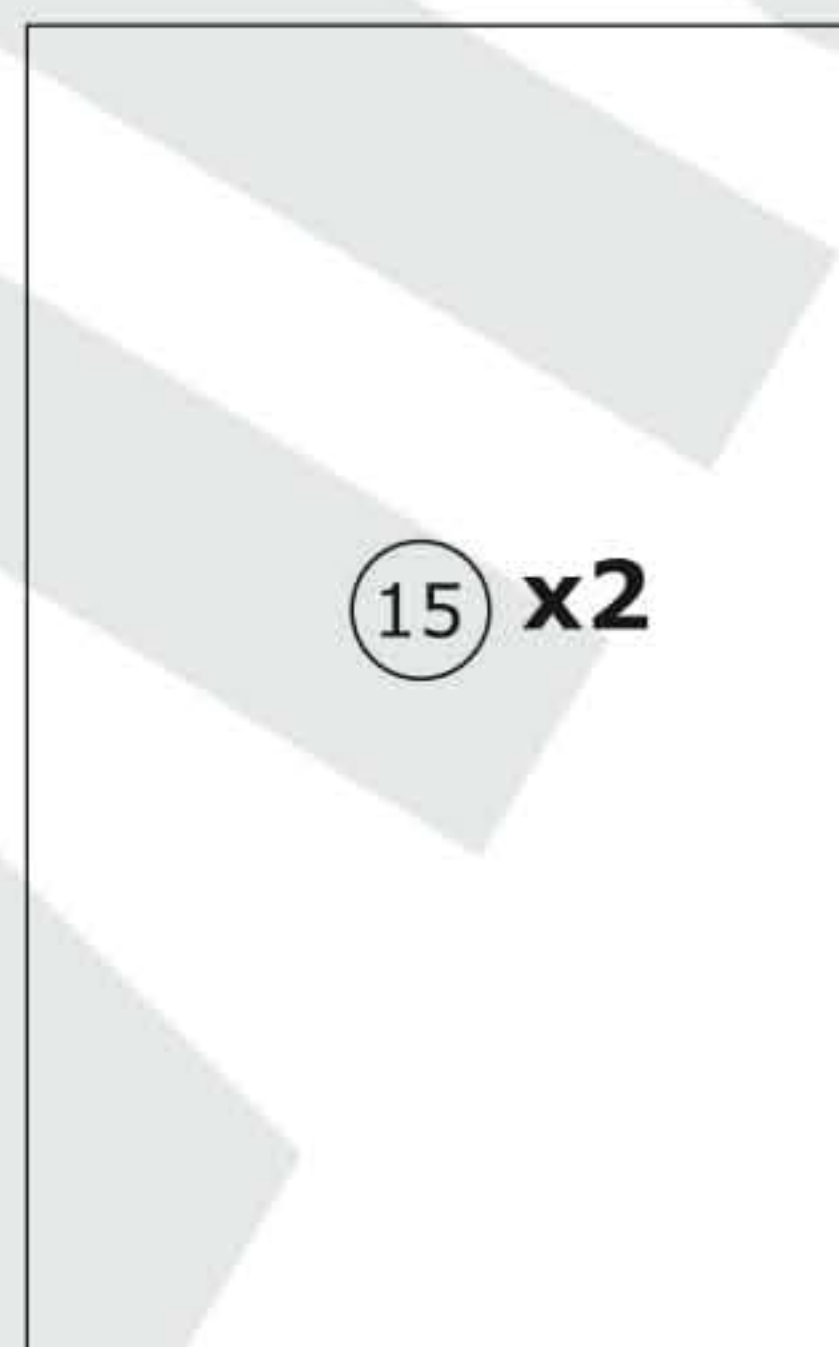
300x100x12 mm



329x100x12 mm



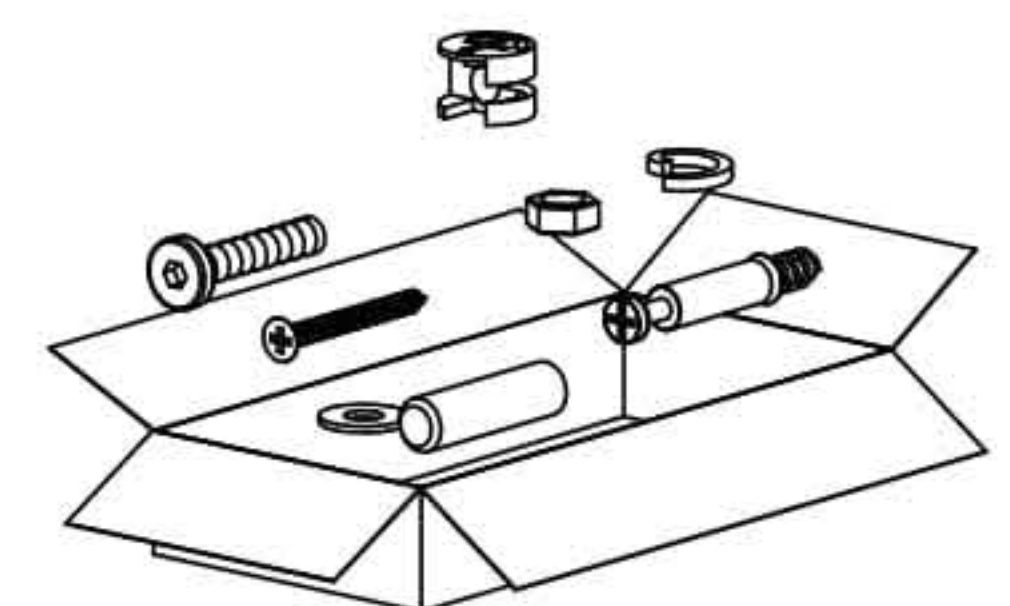
606x377x2,5 mm



606x377x2,5 mm



339x301x2,5 mm

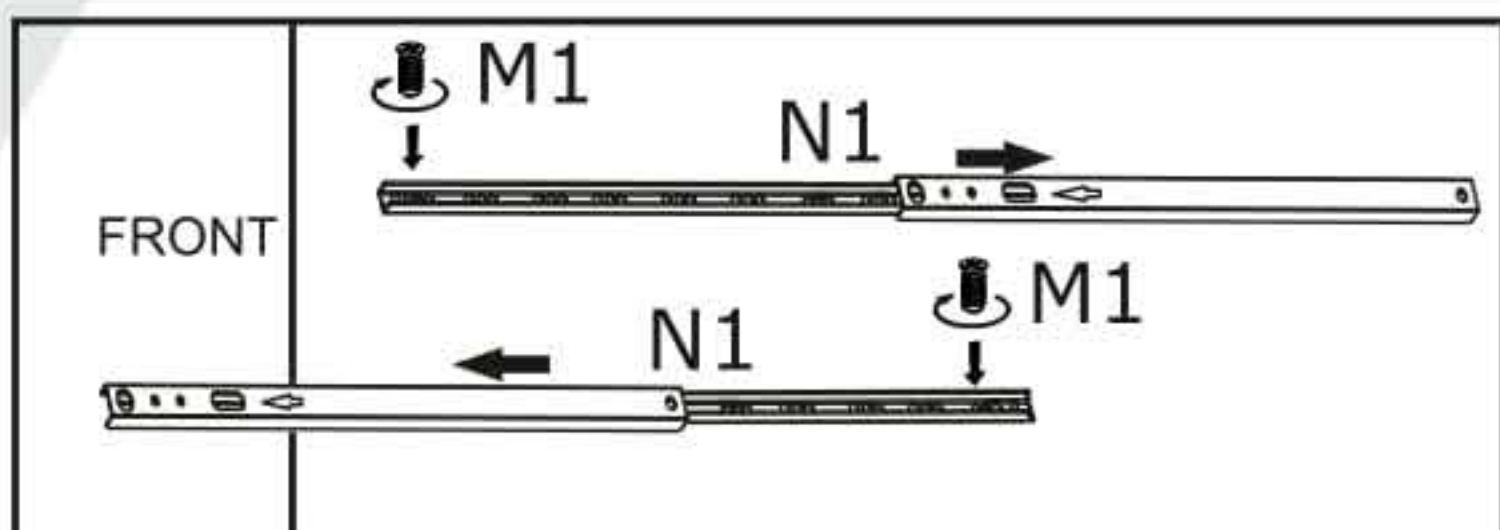
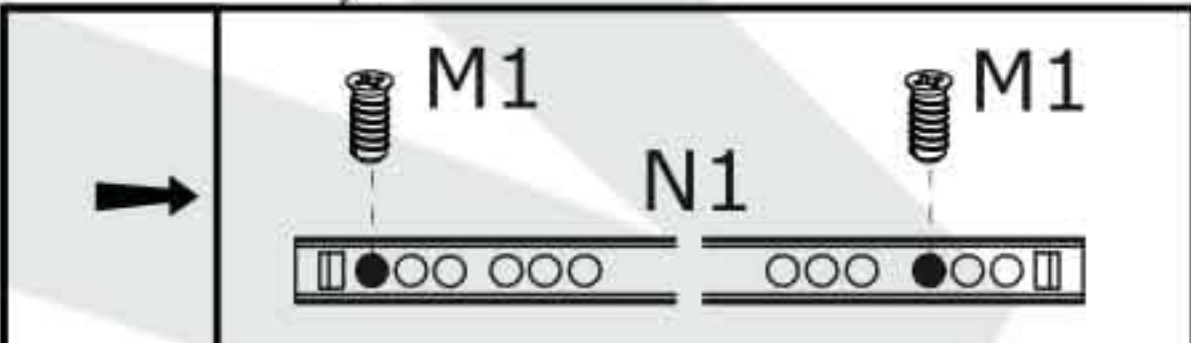
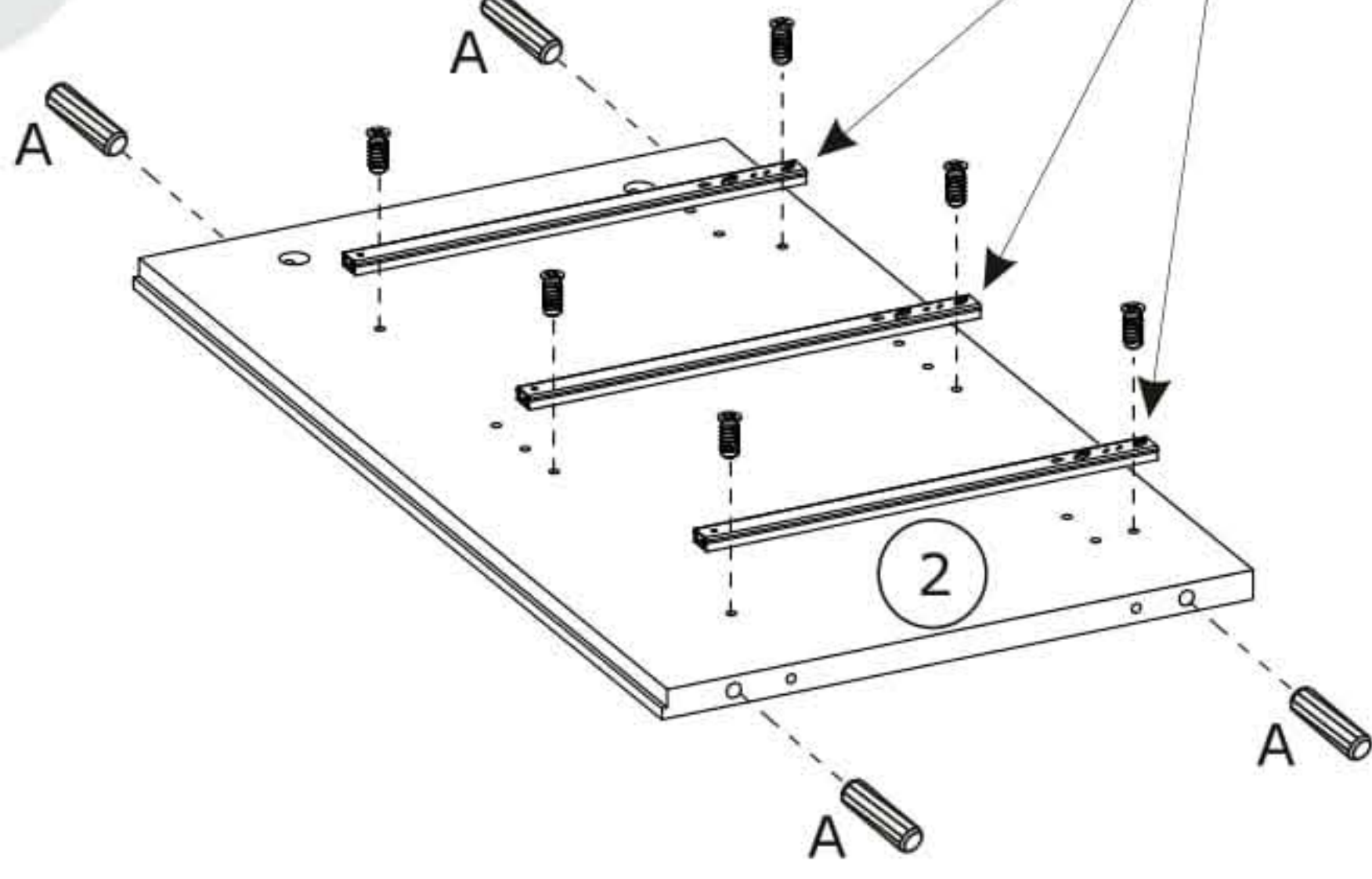
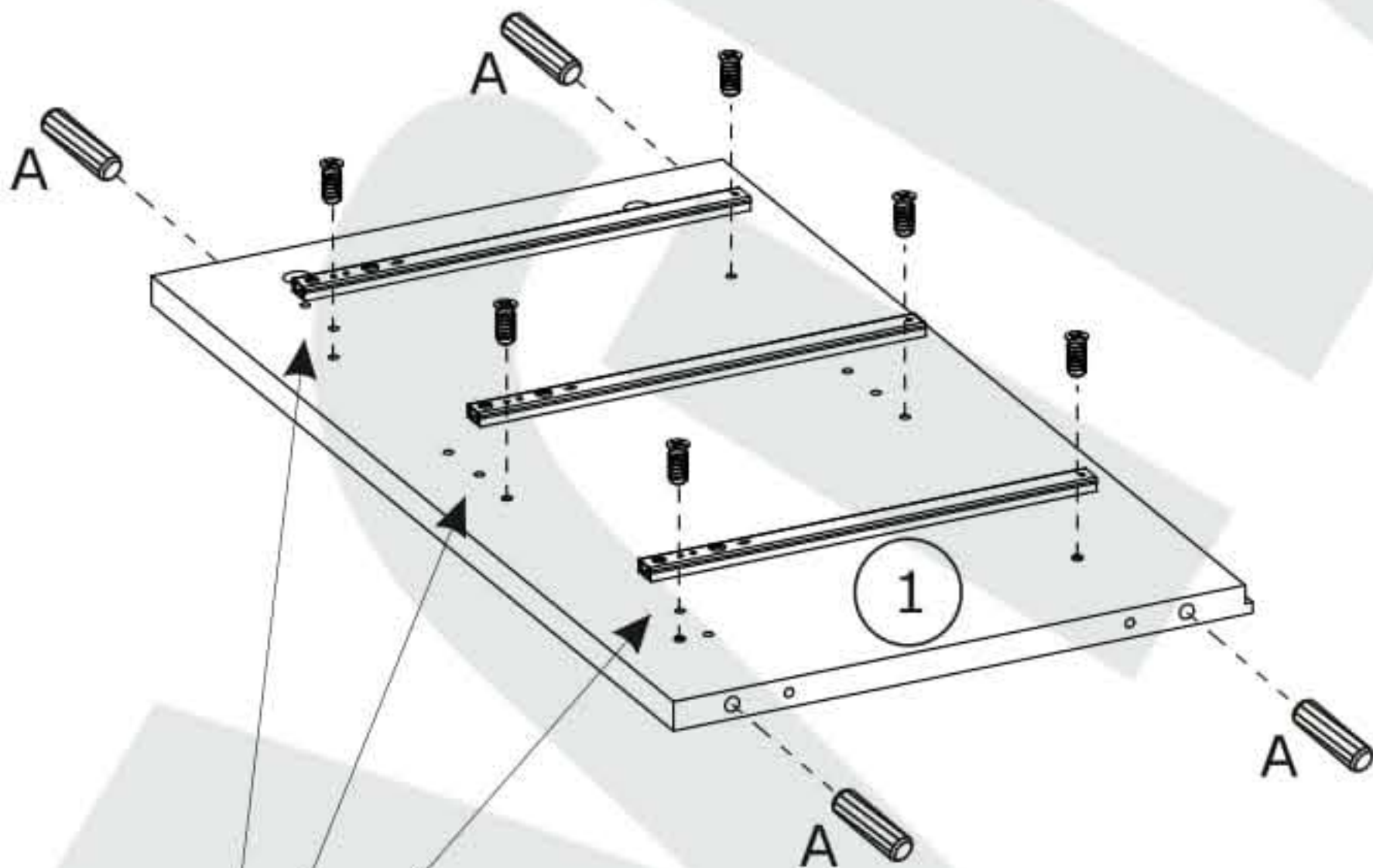
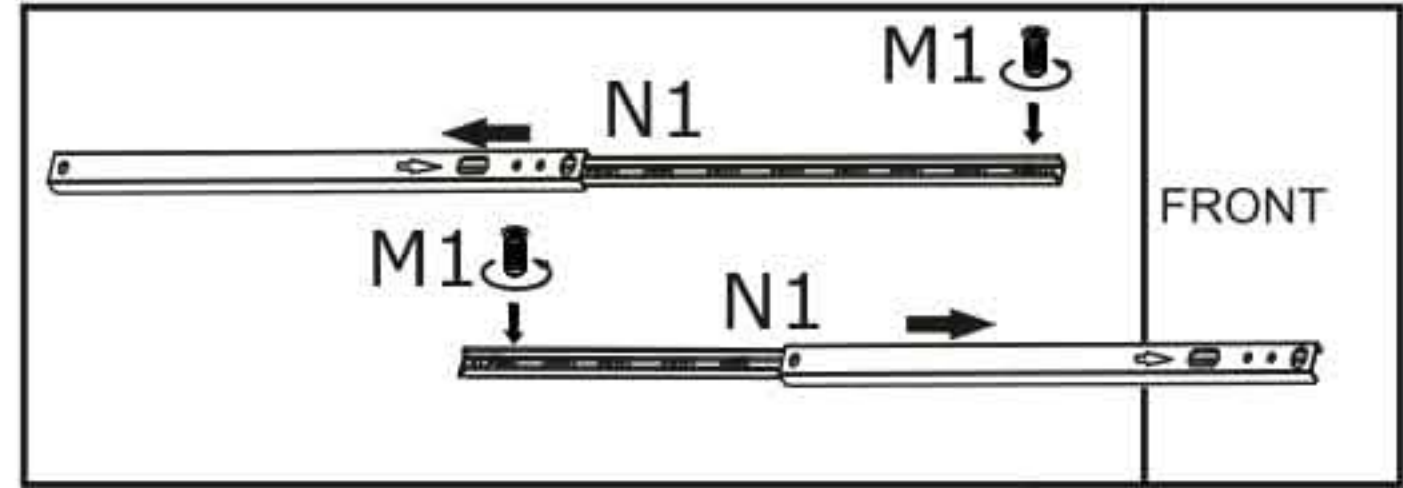
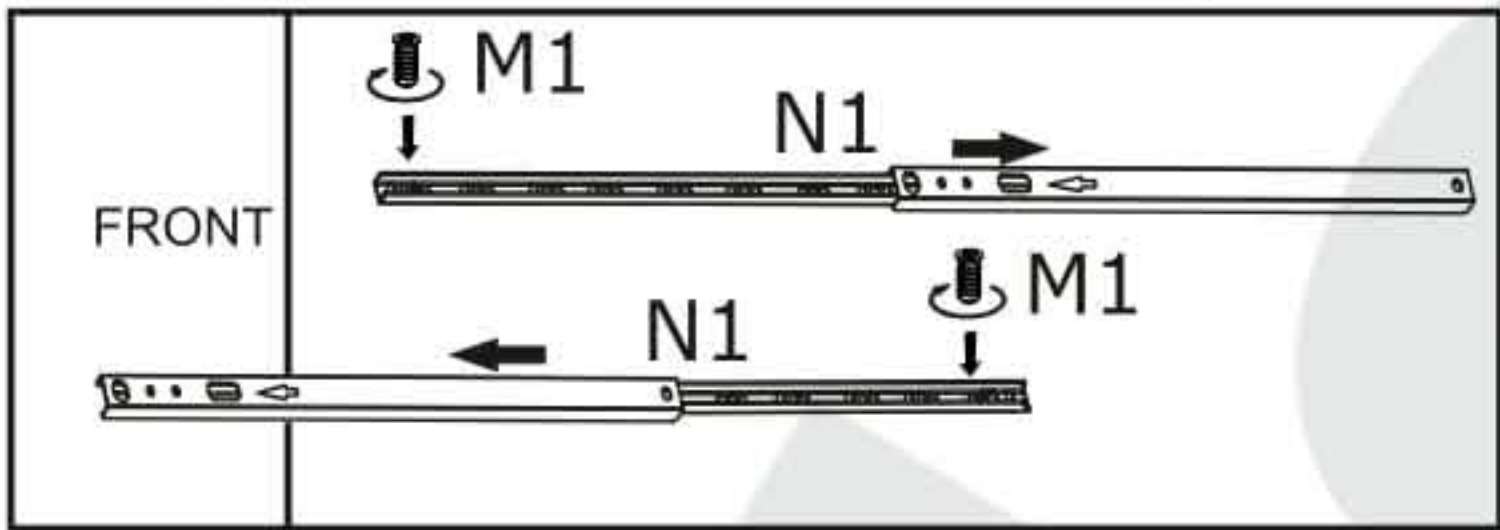
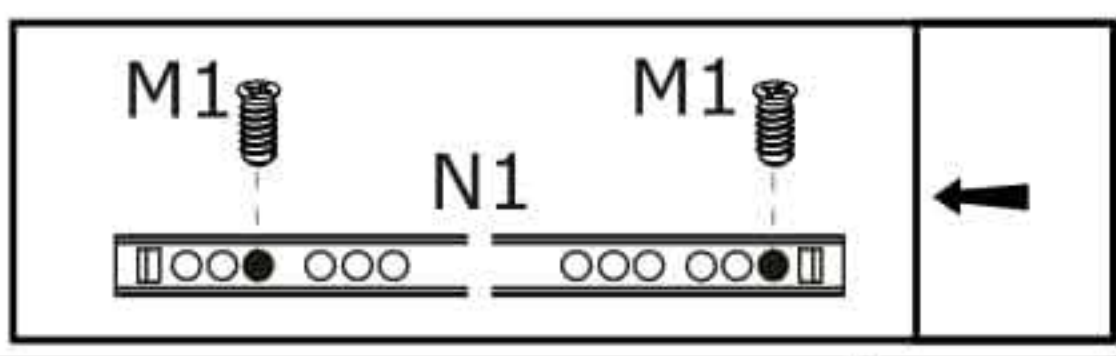
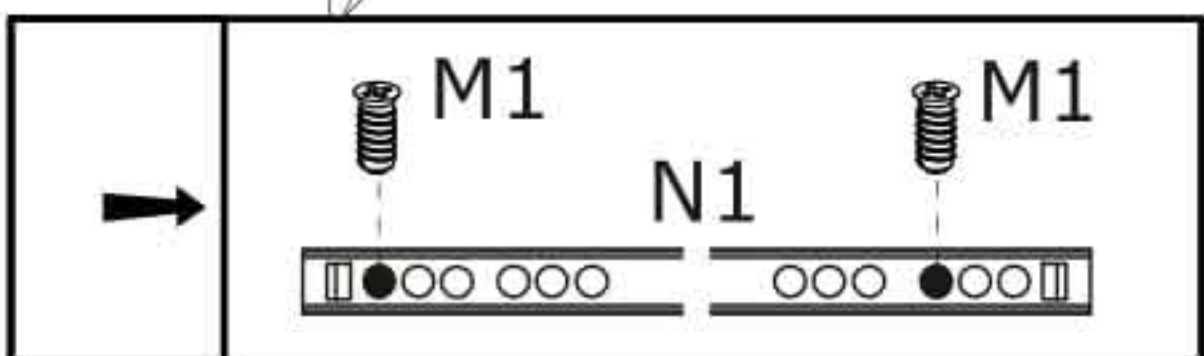
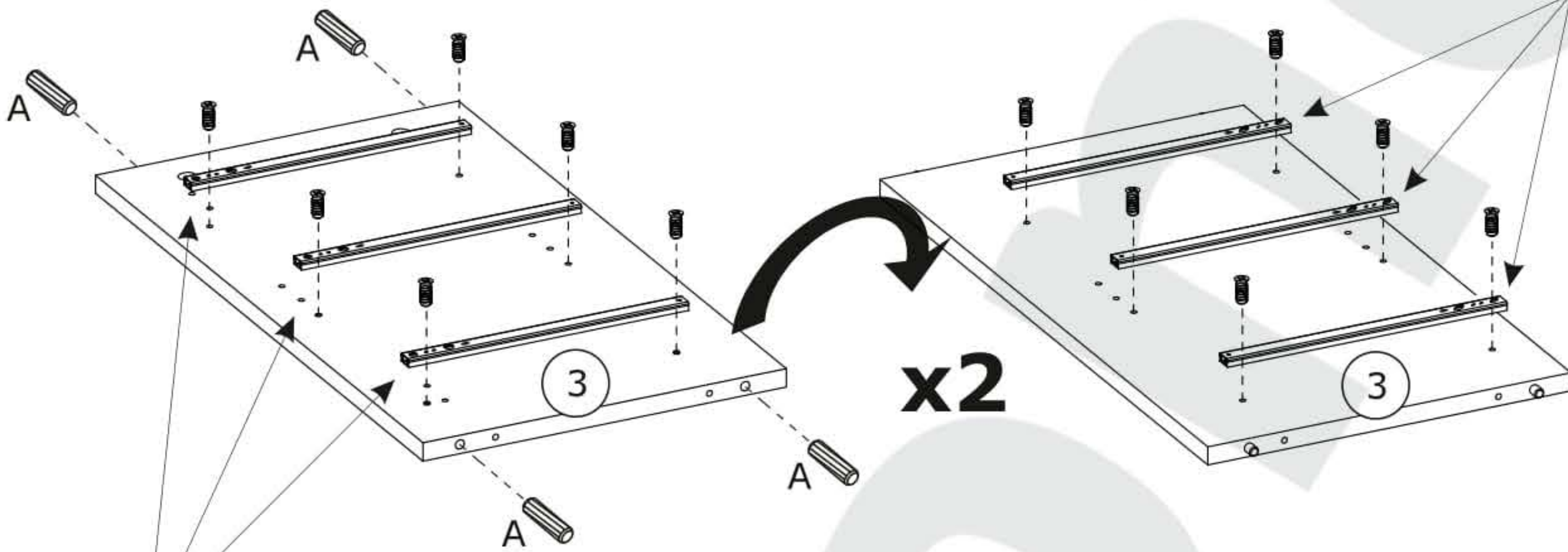
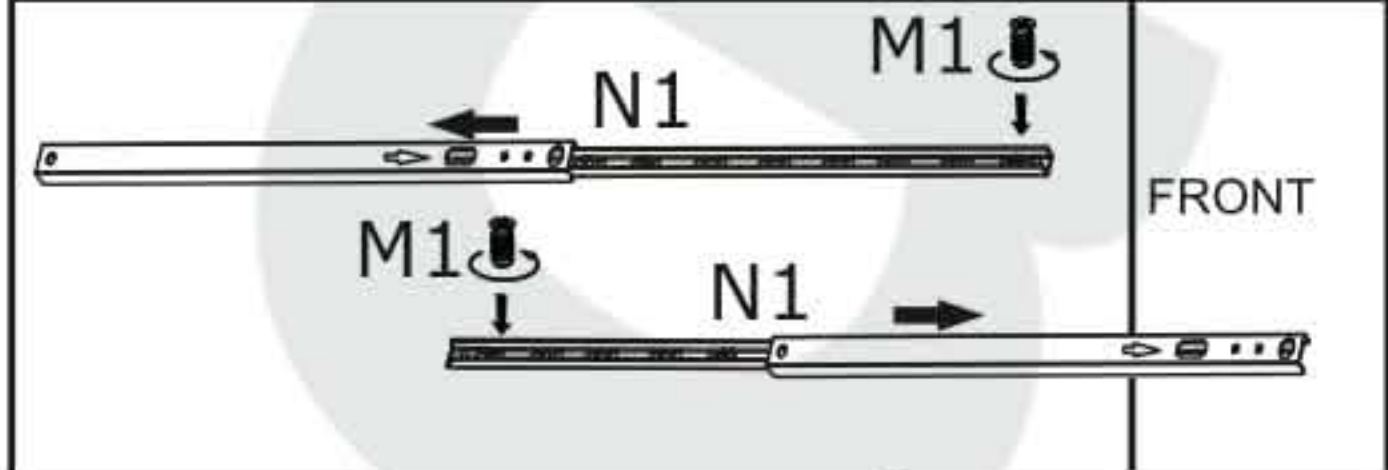
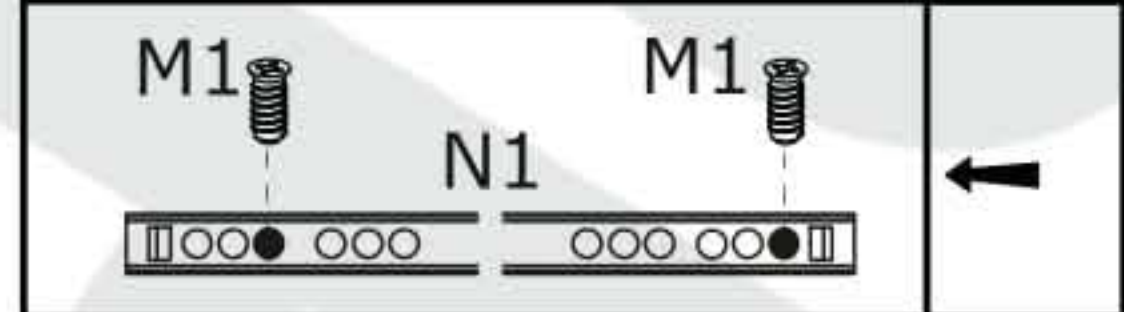
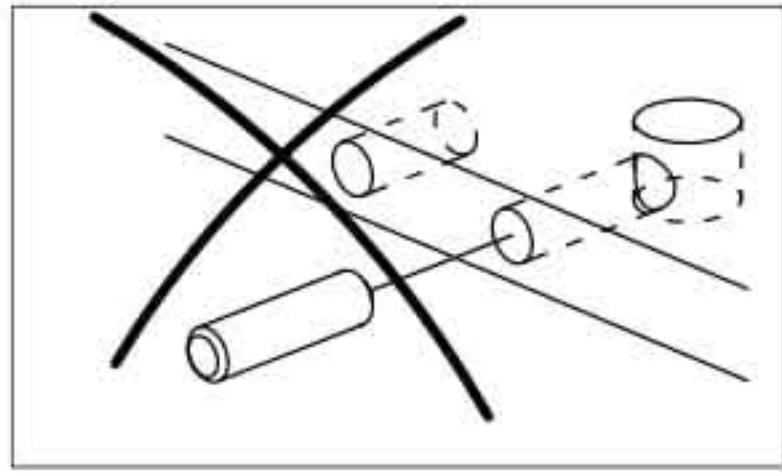
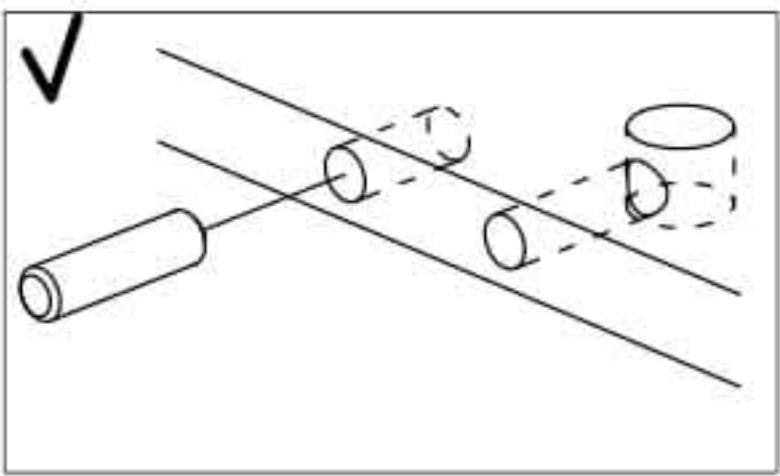
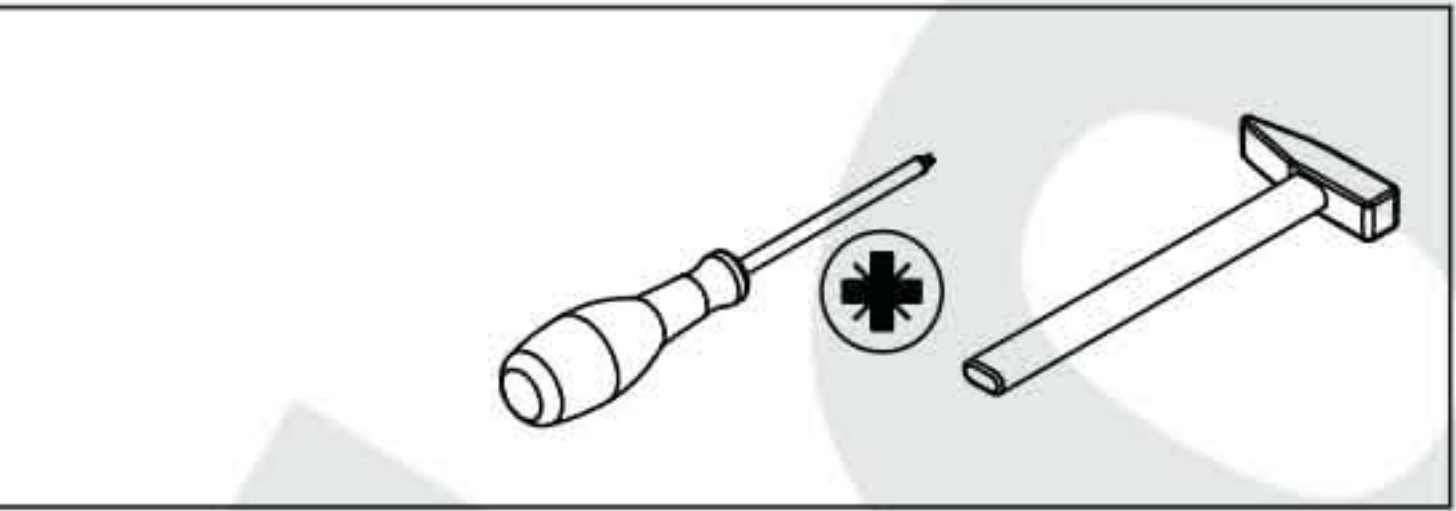


1

A x 16
Ø8x35 mm

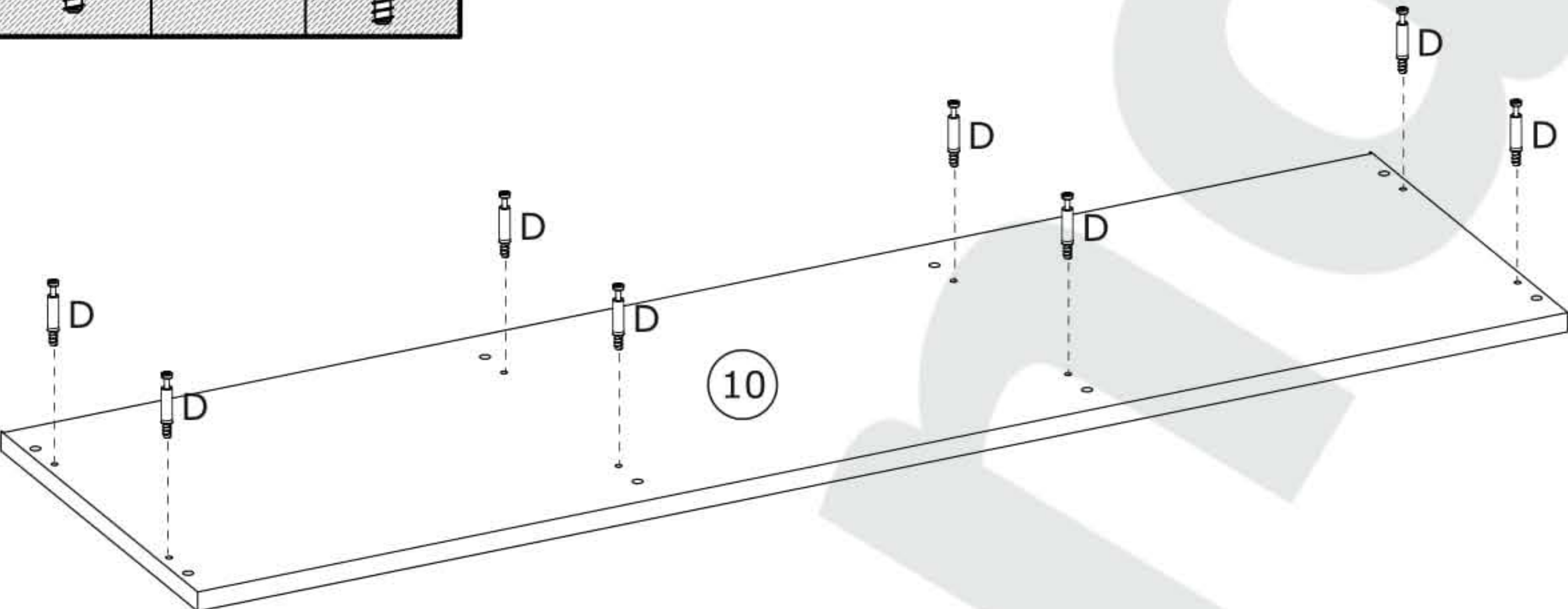
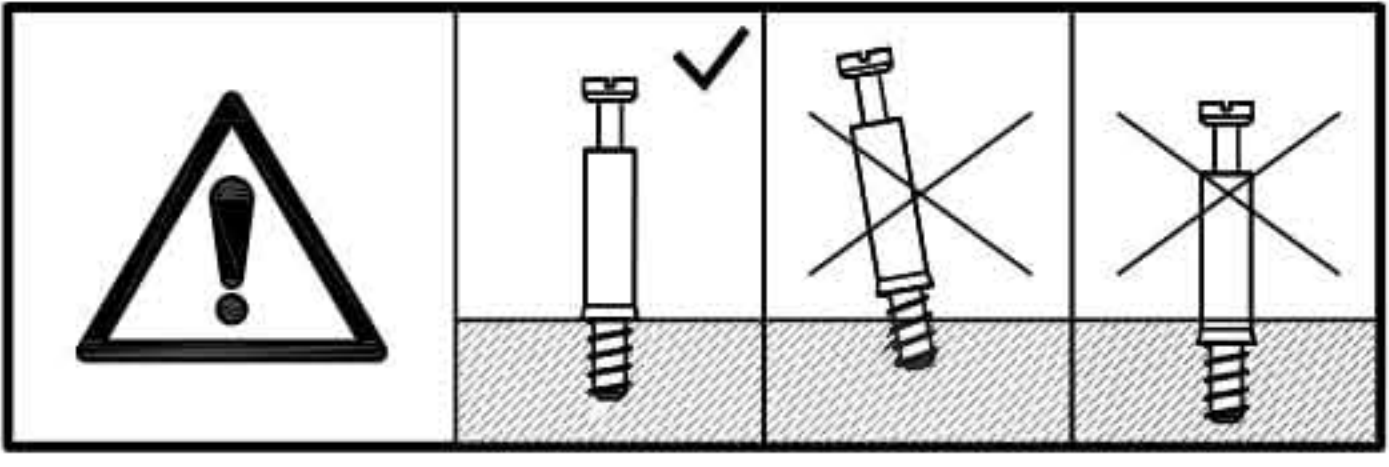
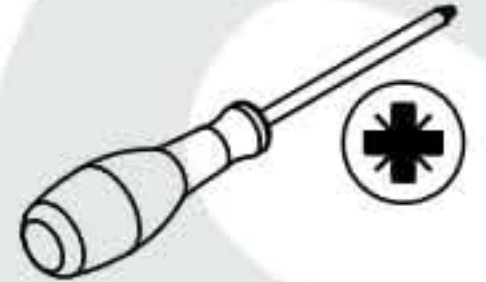
M1 x 36
Ø6,3x9,5 mm

N1 x 18
278 mm



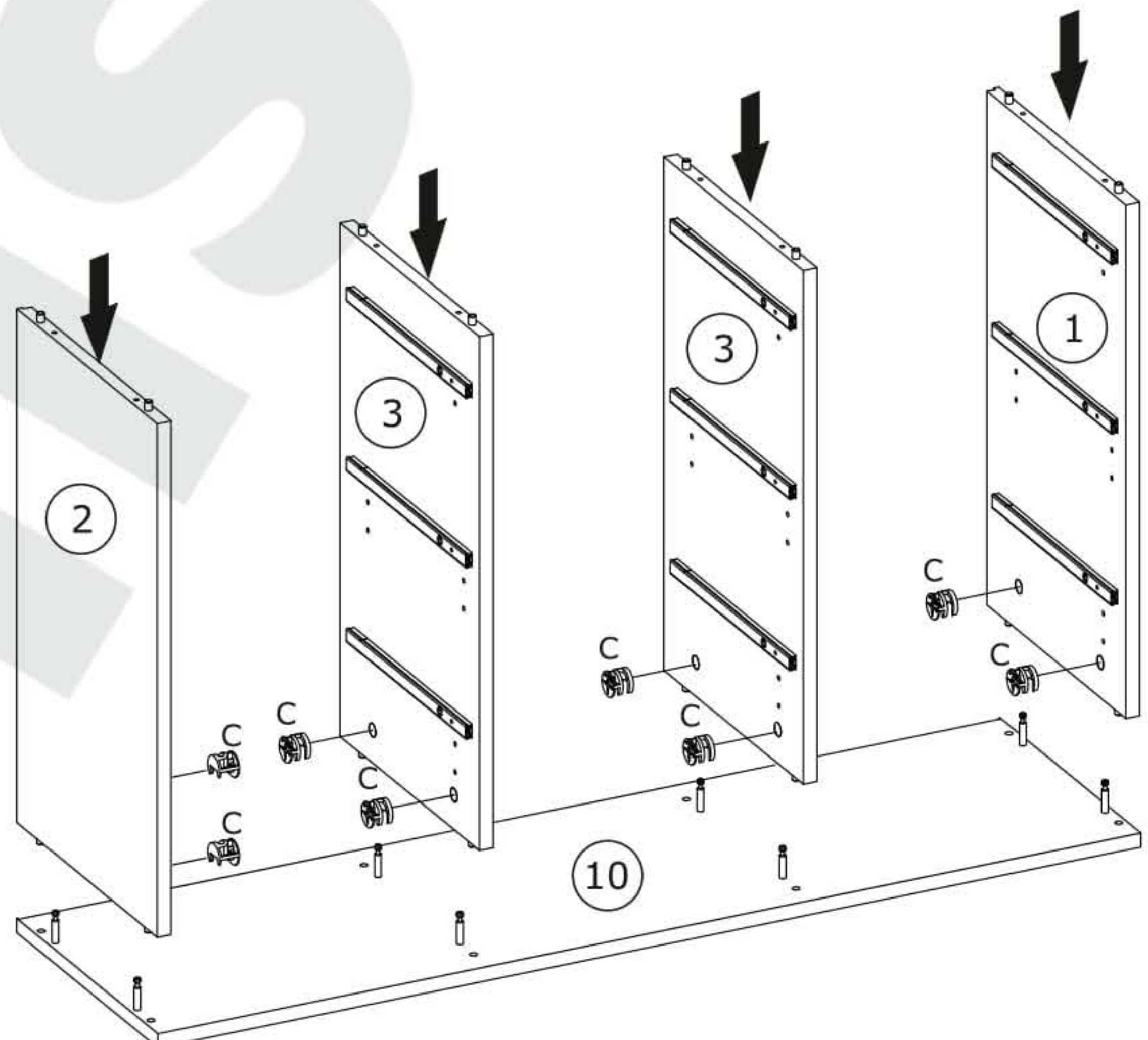
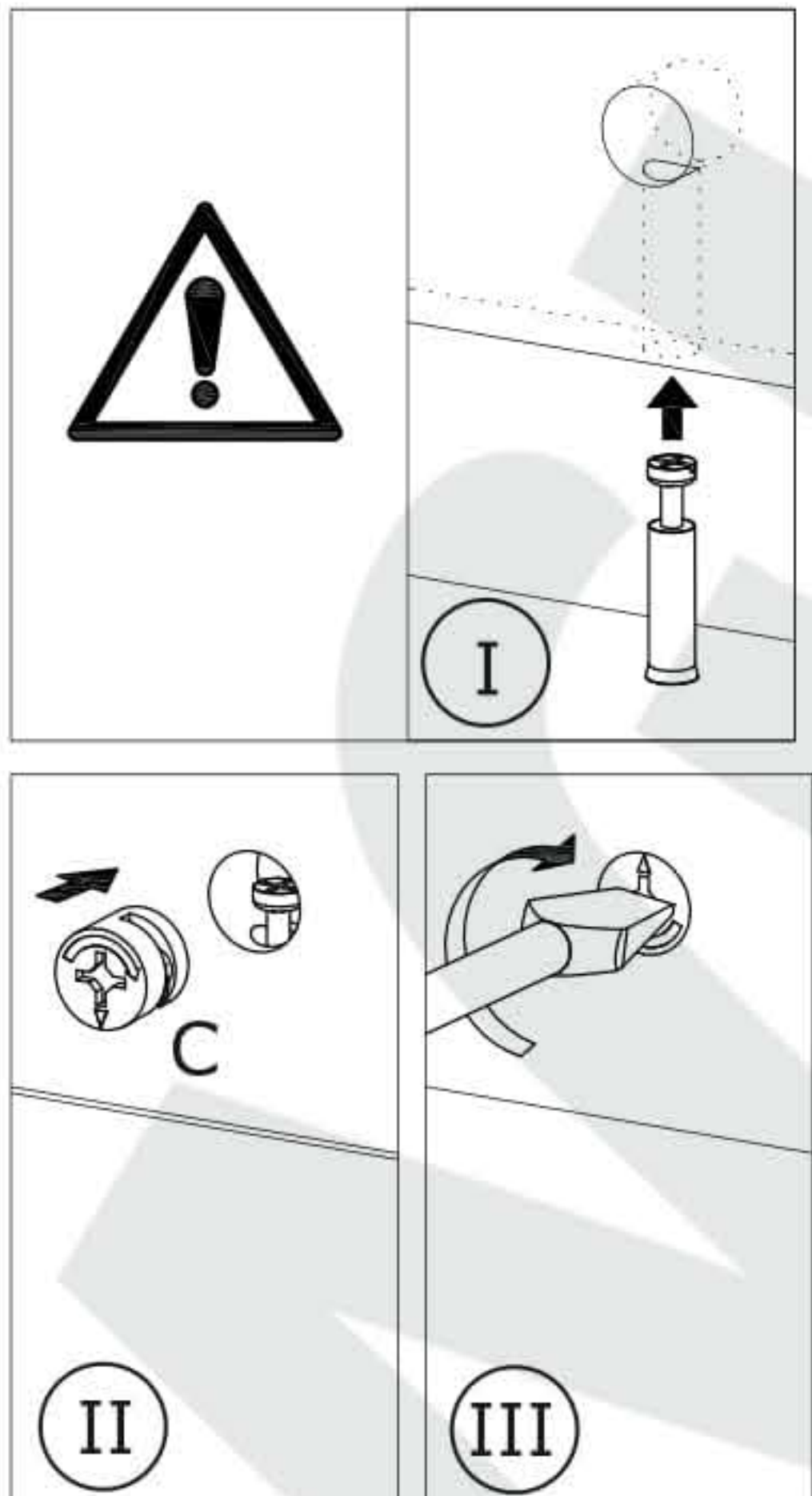
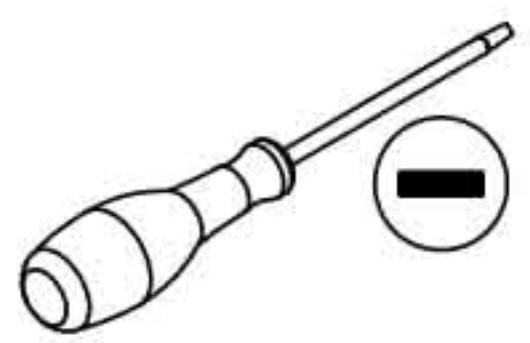
2

D x 8
Ø5x44 mm



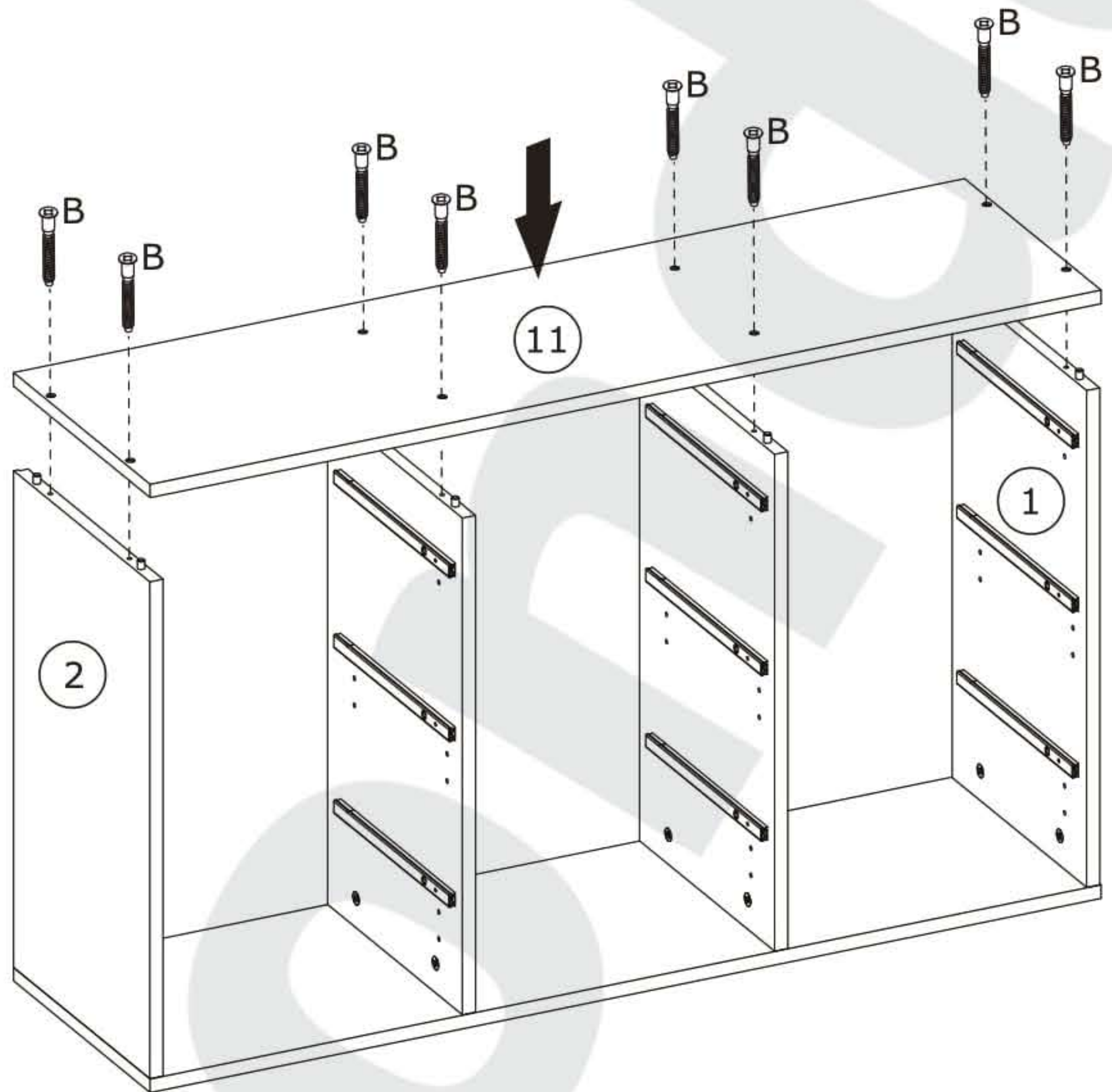
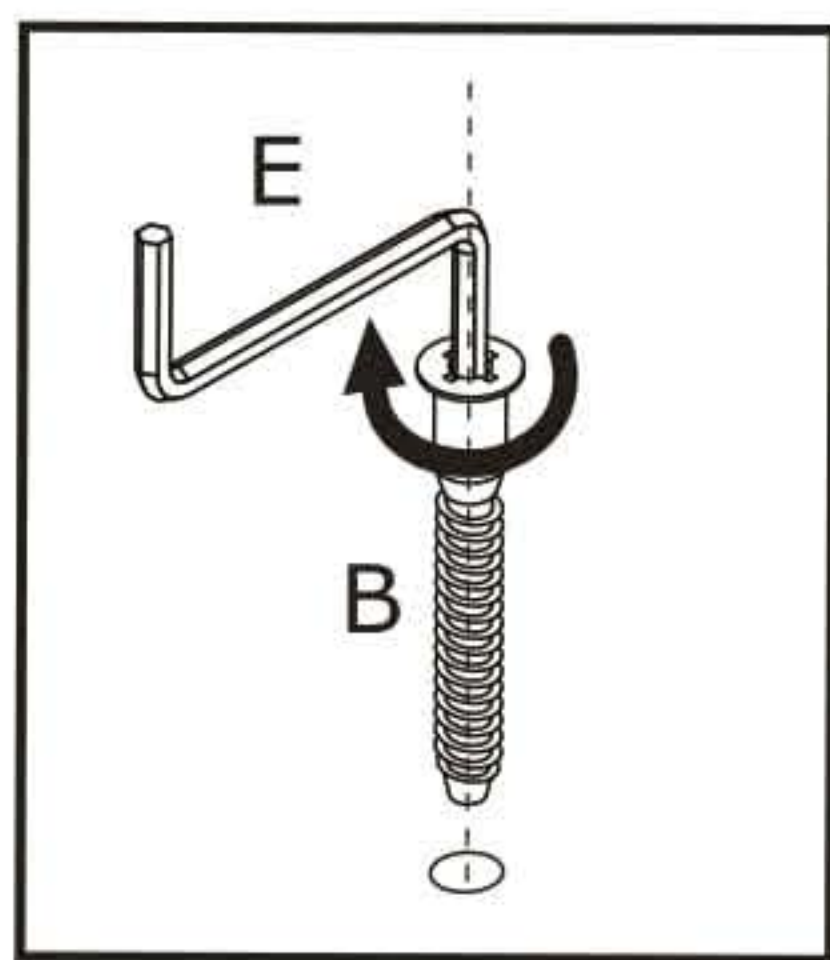
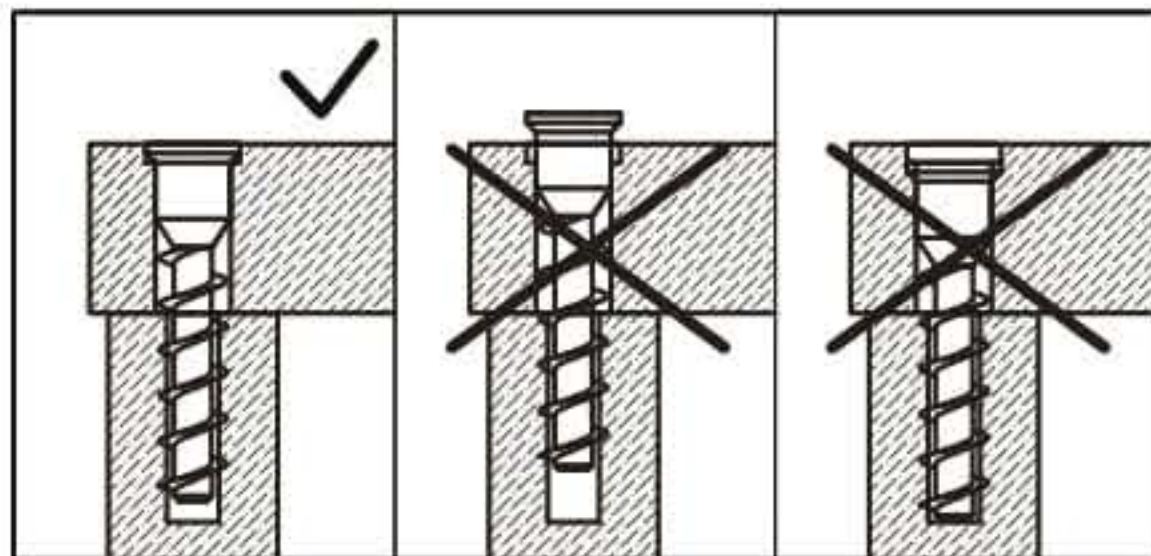
3

C x 8
Ø15x12 mm



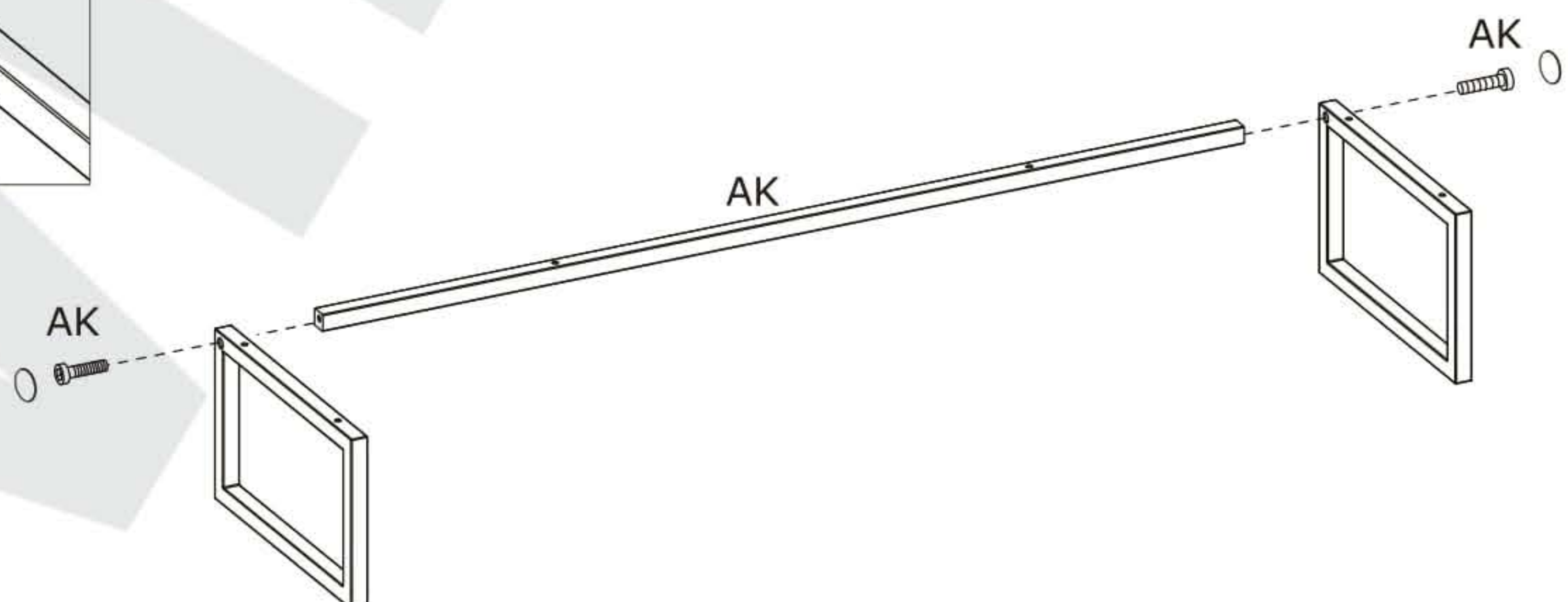
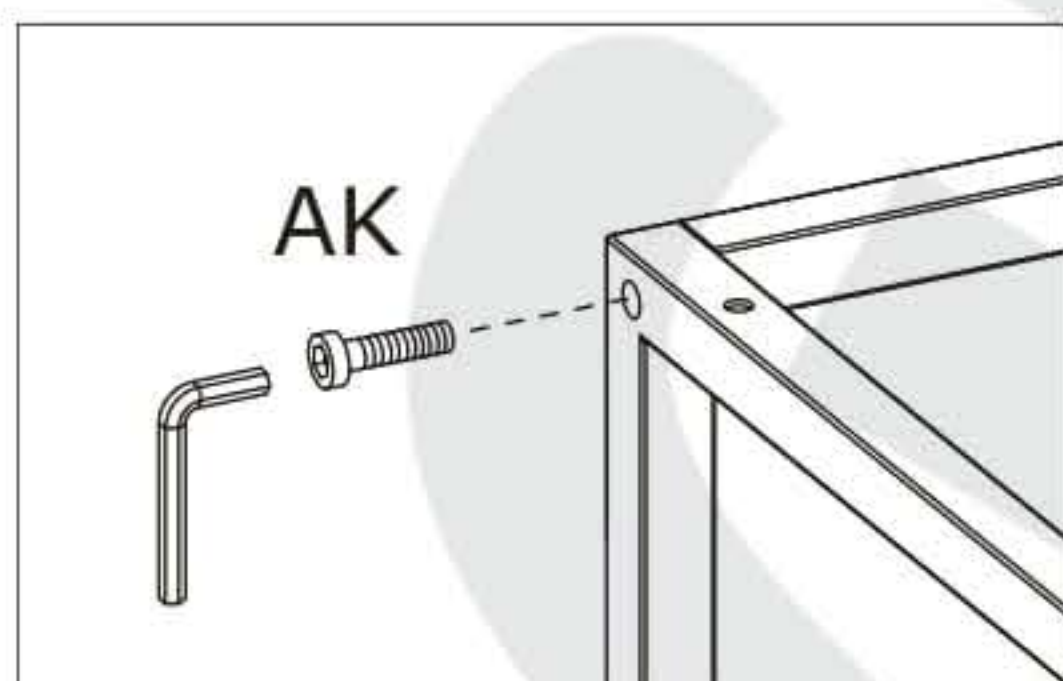
4

<p>B x 8</p>  <p>Ø7x50 mm</p>	<p>E x 1</p>  <p>4 mm</p>
--	--



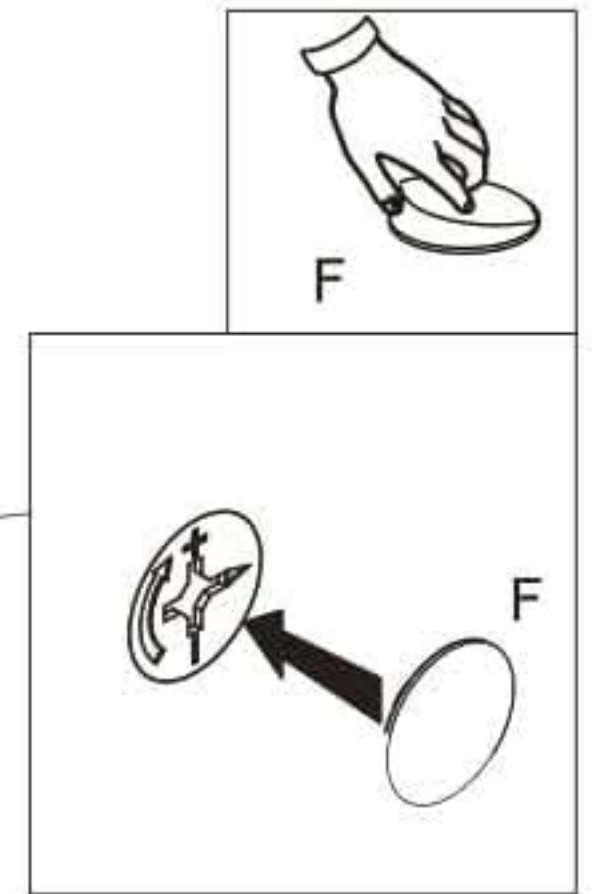
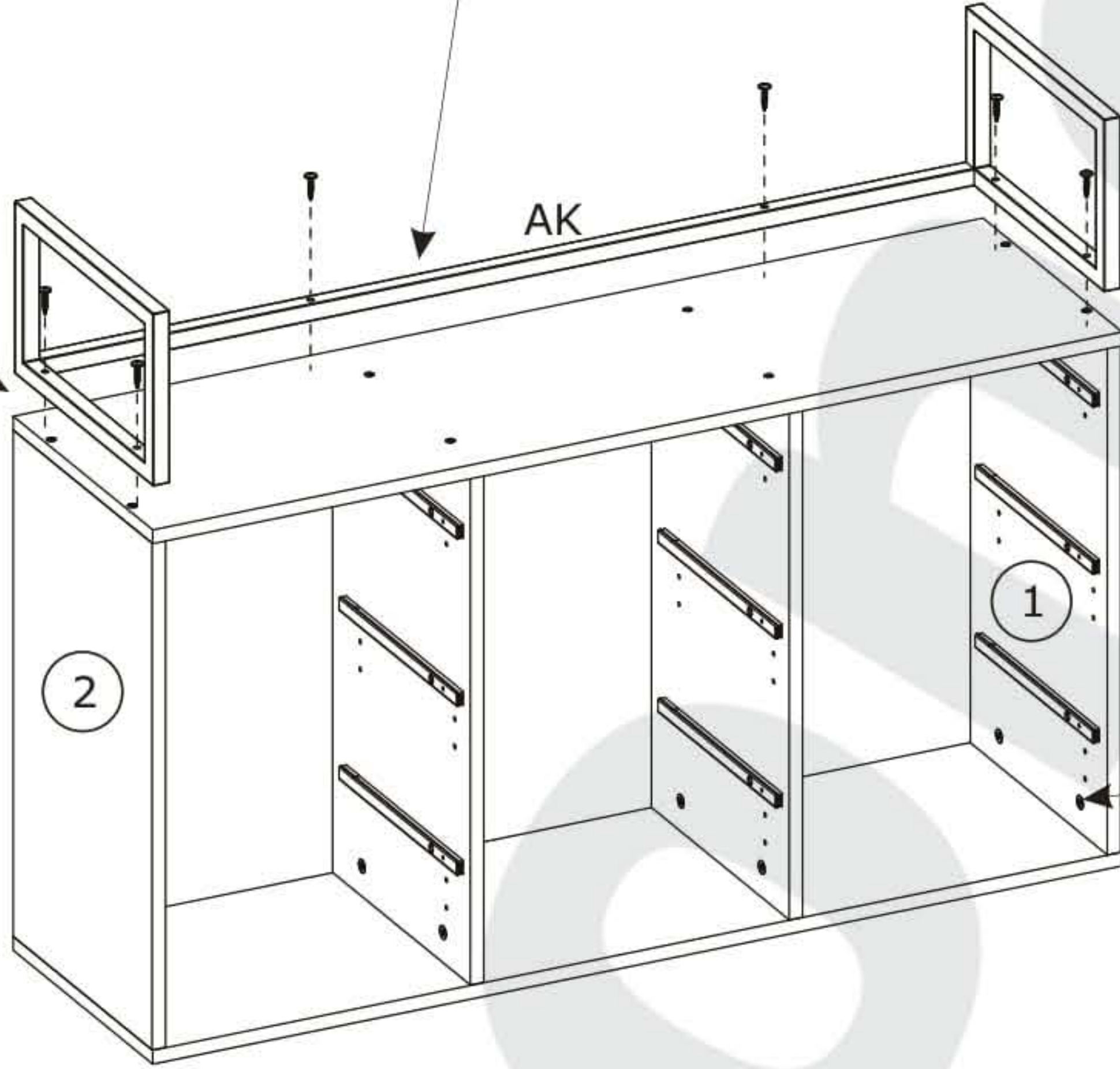
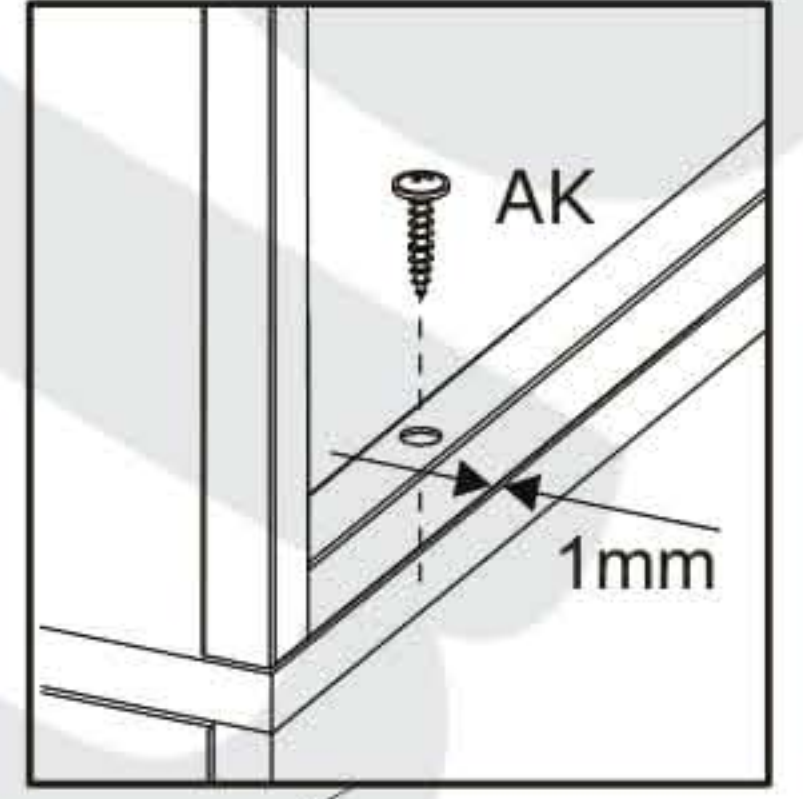
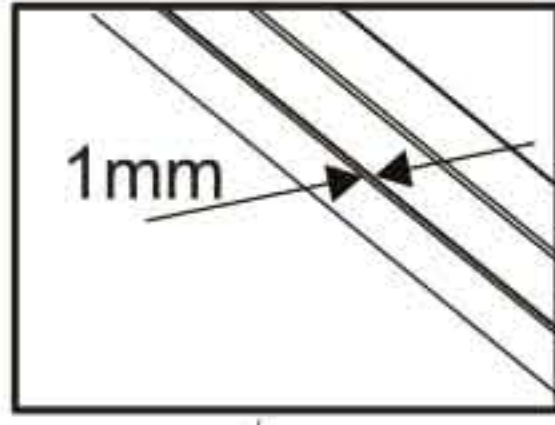
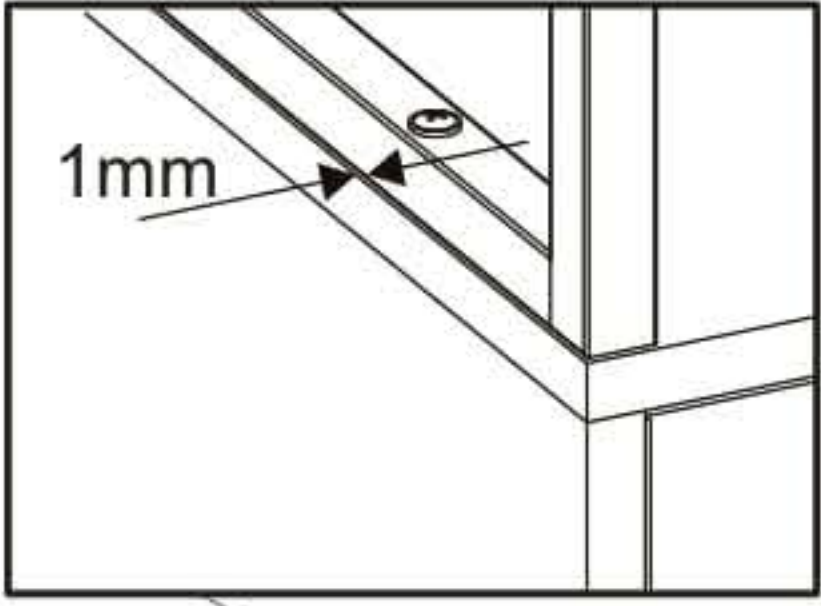
5

<p>AK x1</p> 
--

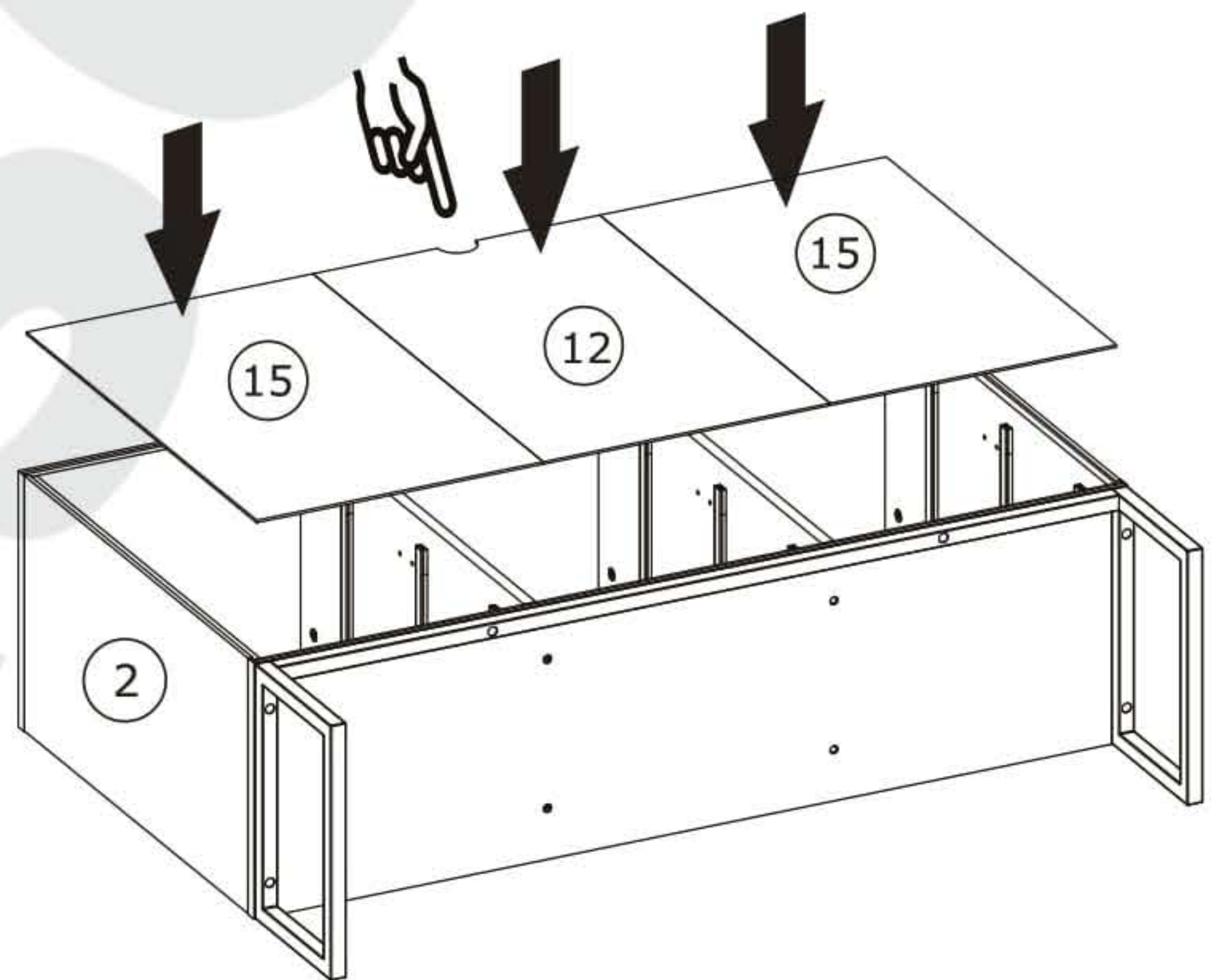


6

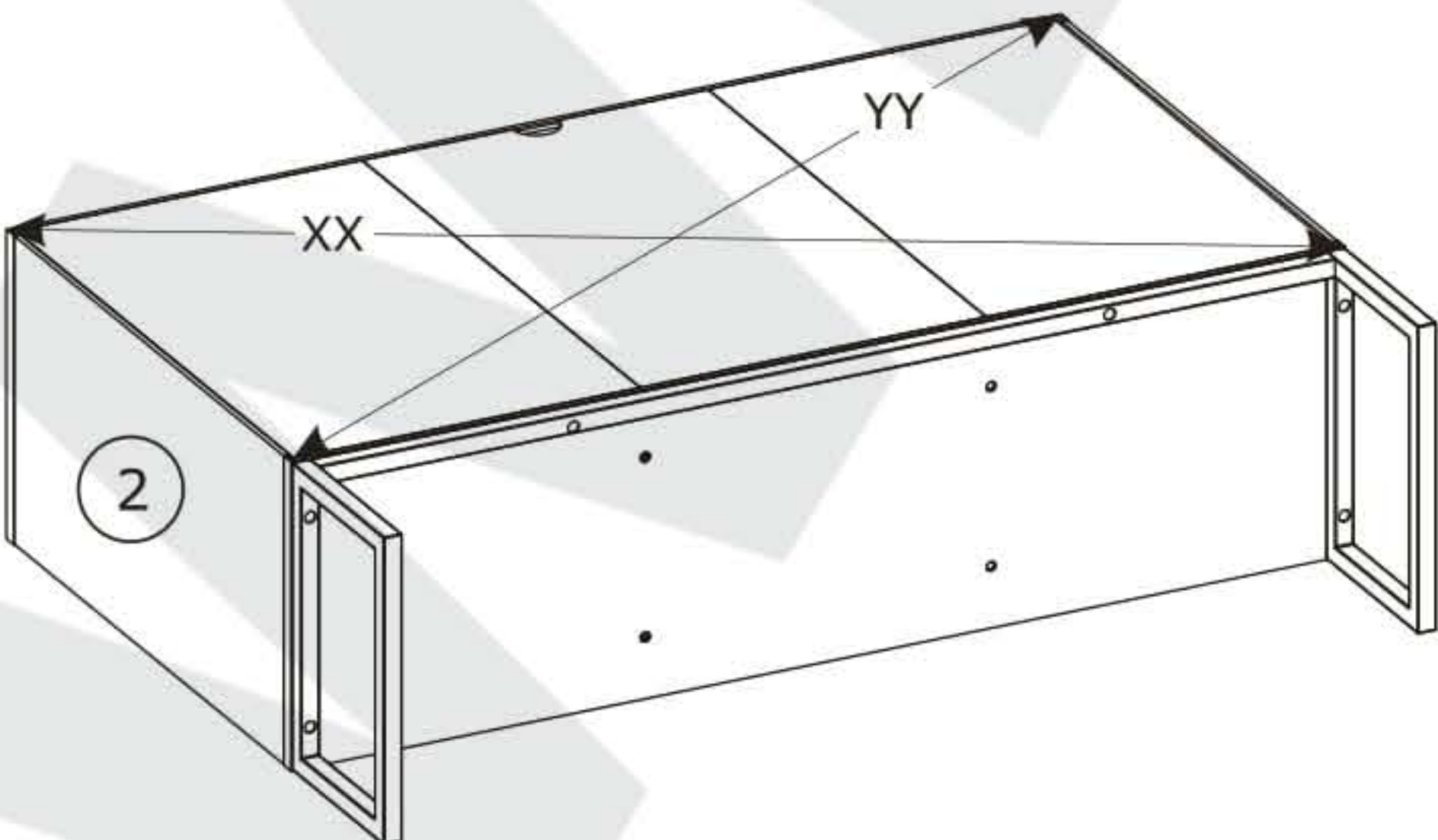
AK x1 	F x 8  20 mm	
--	---	---





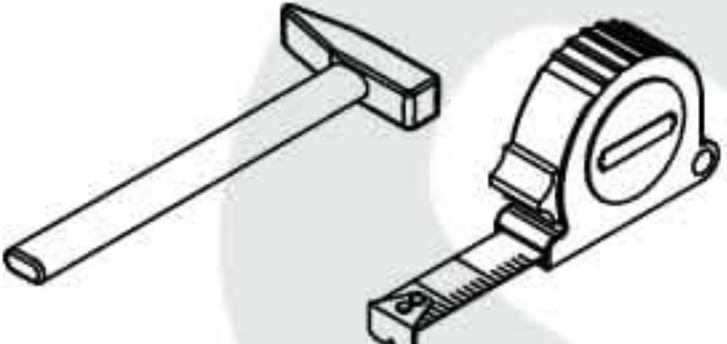
7

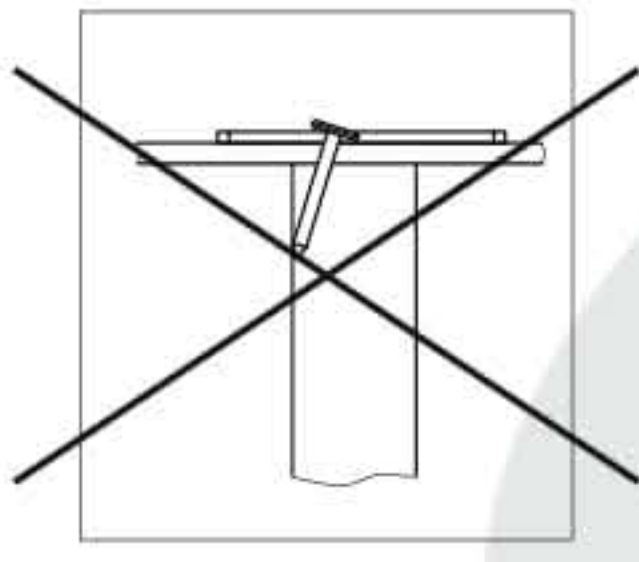
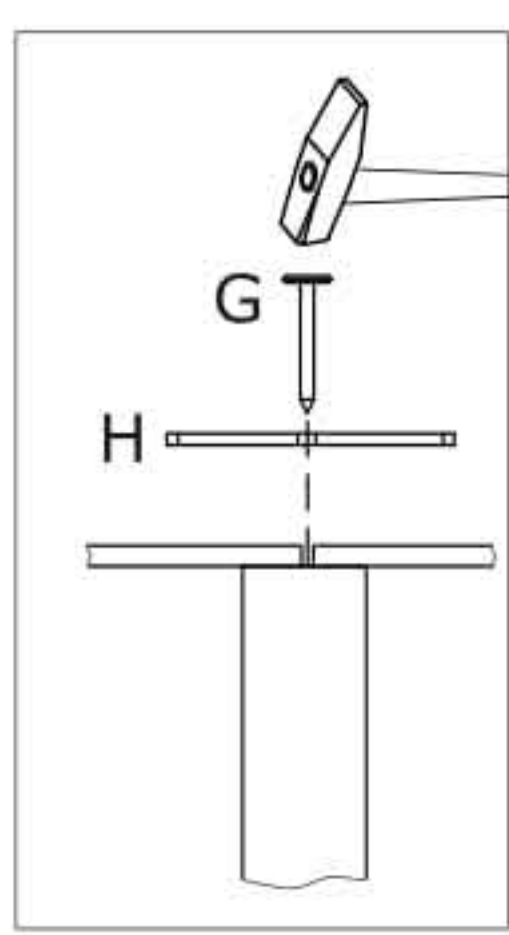
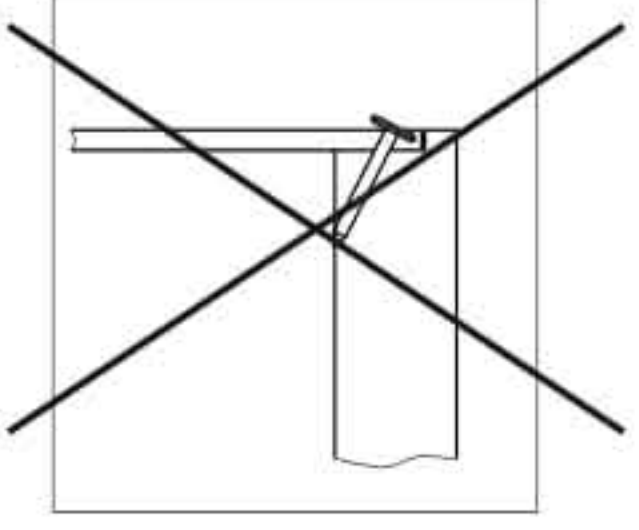
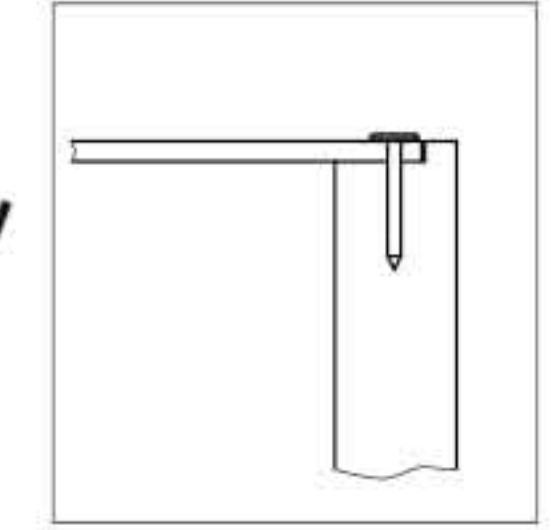
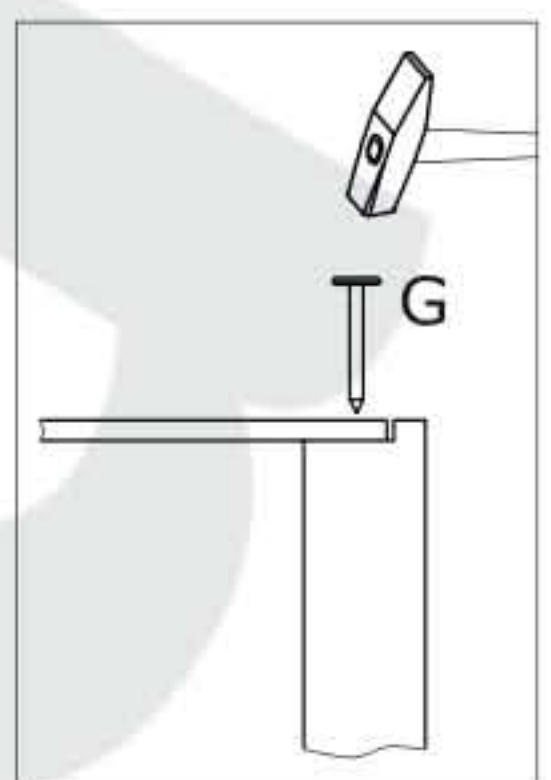
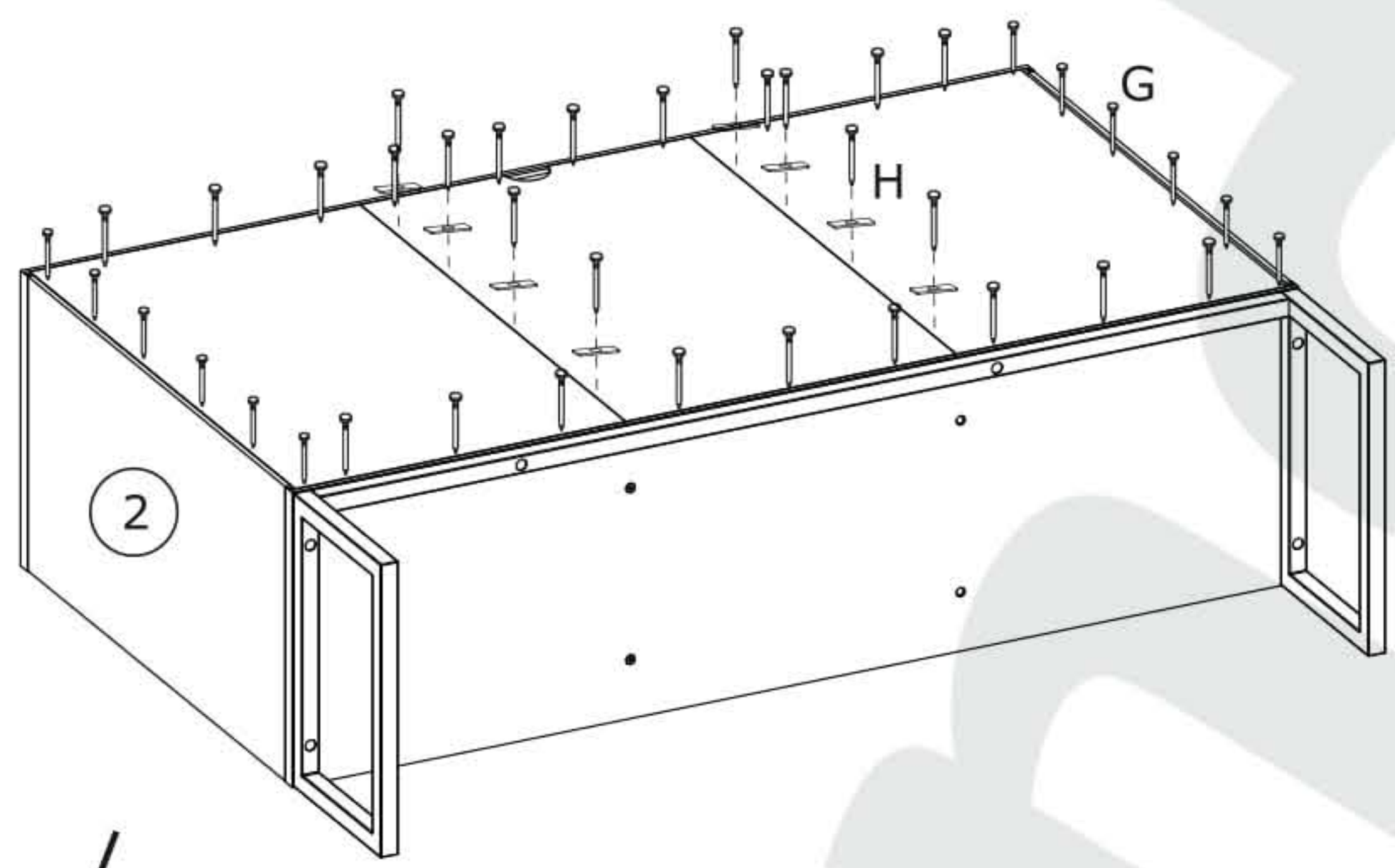


 $XX = YY \equiv 90^\circ$



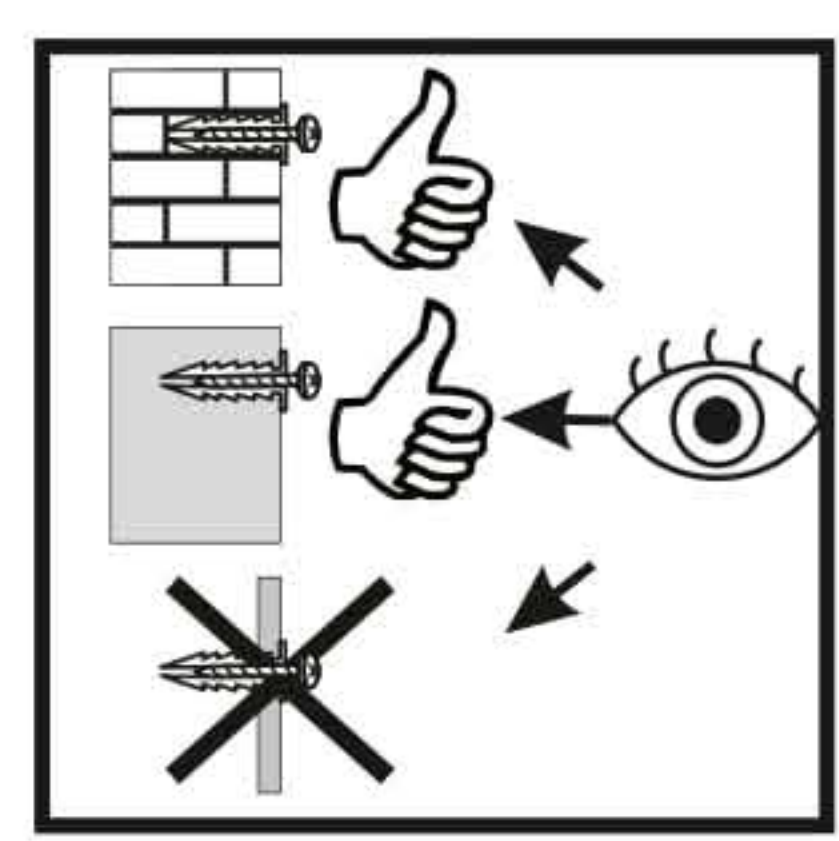
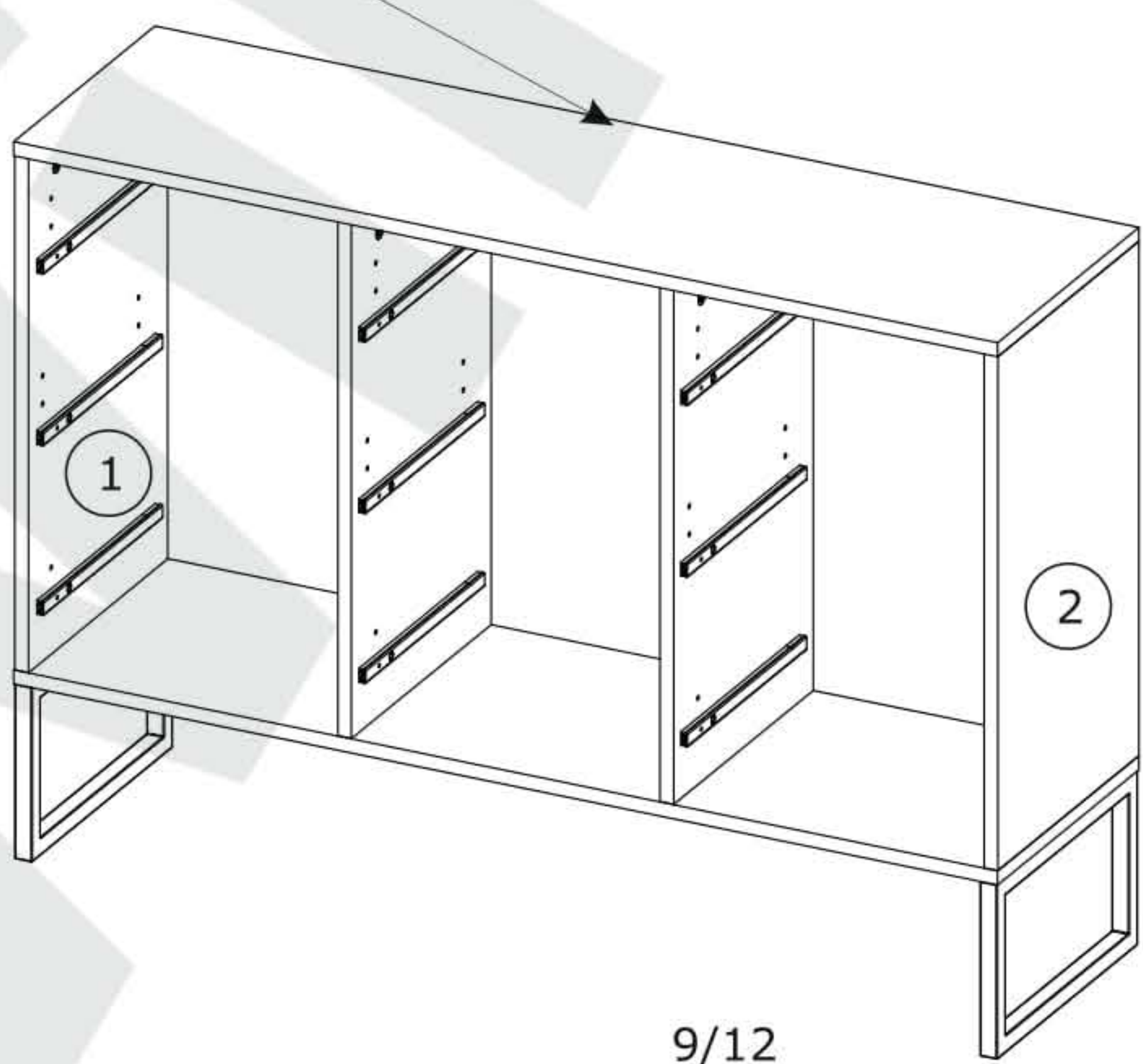
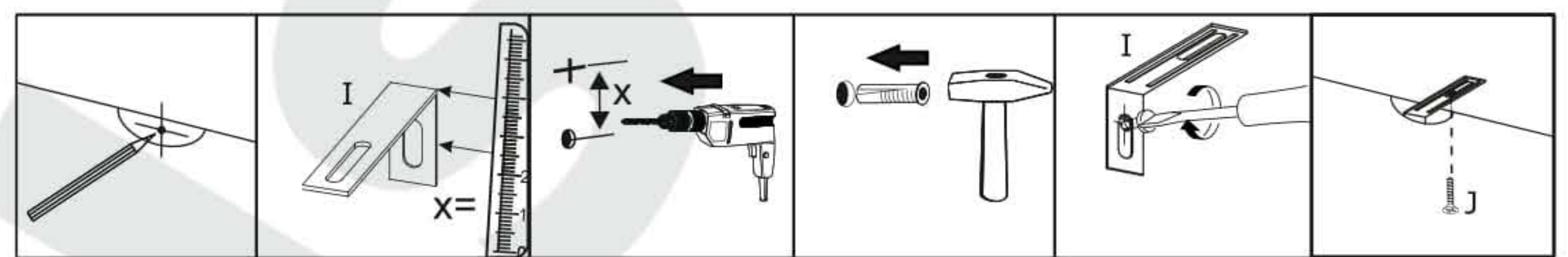
8

G x 40  1.2x25 mm	H x 8  22x9x2 mm	
--	---	---

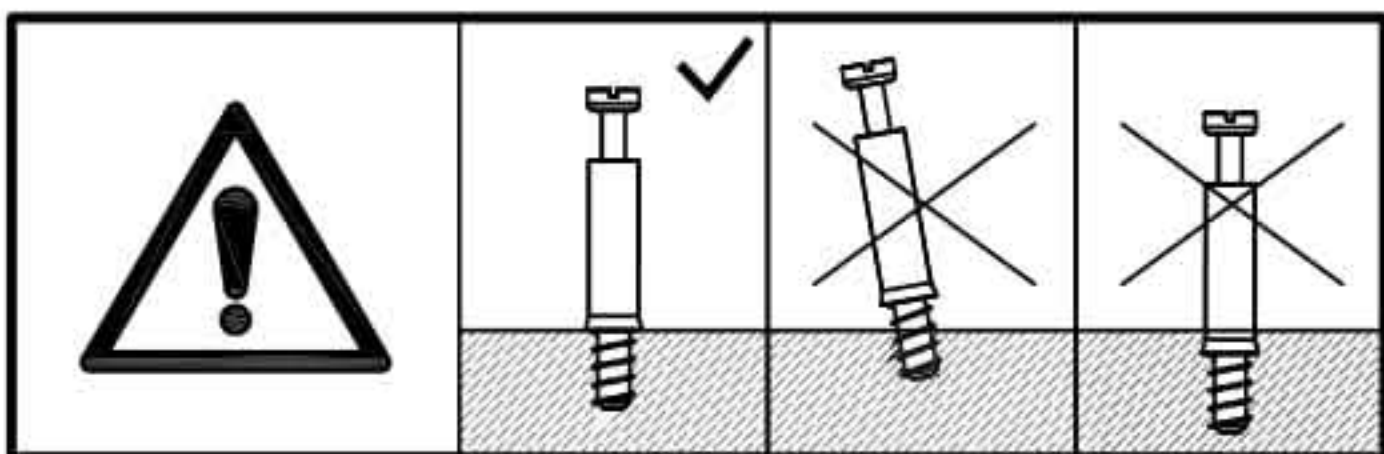
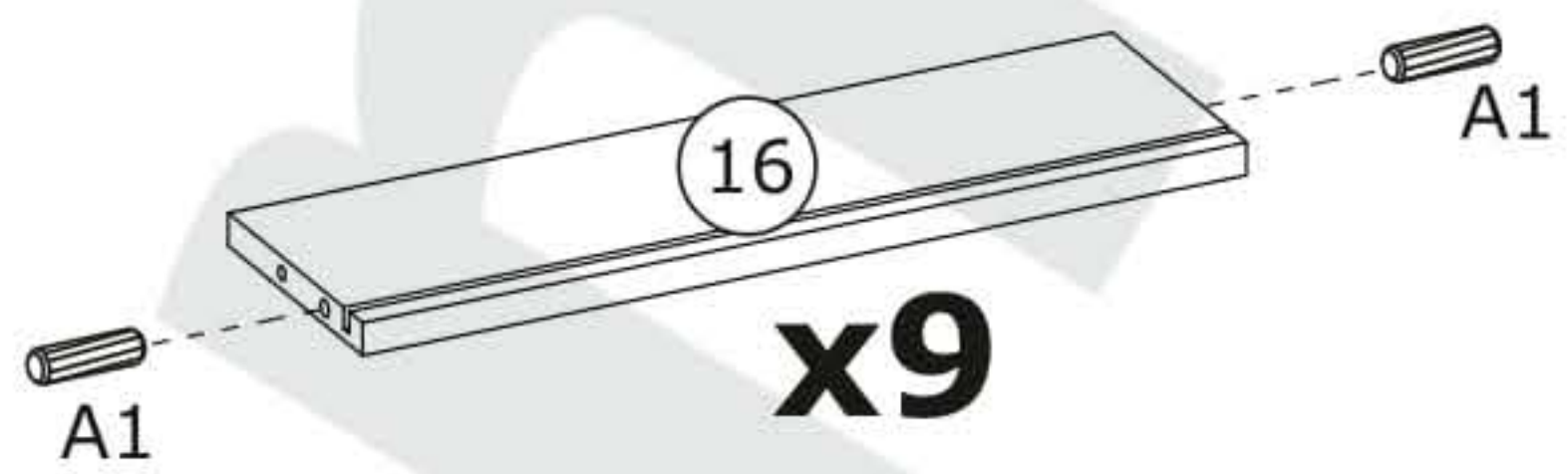
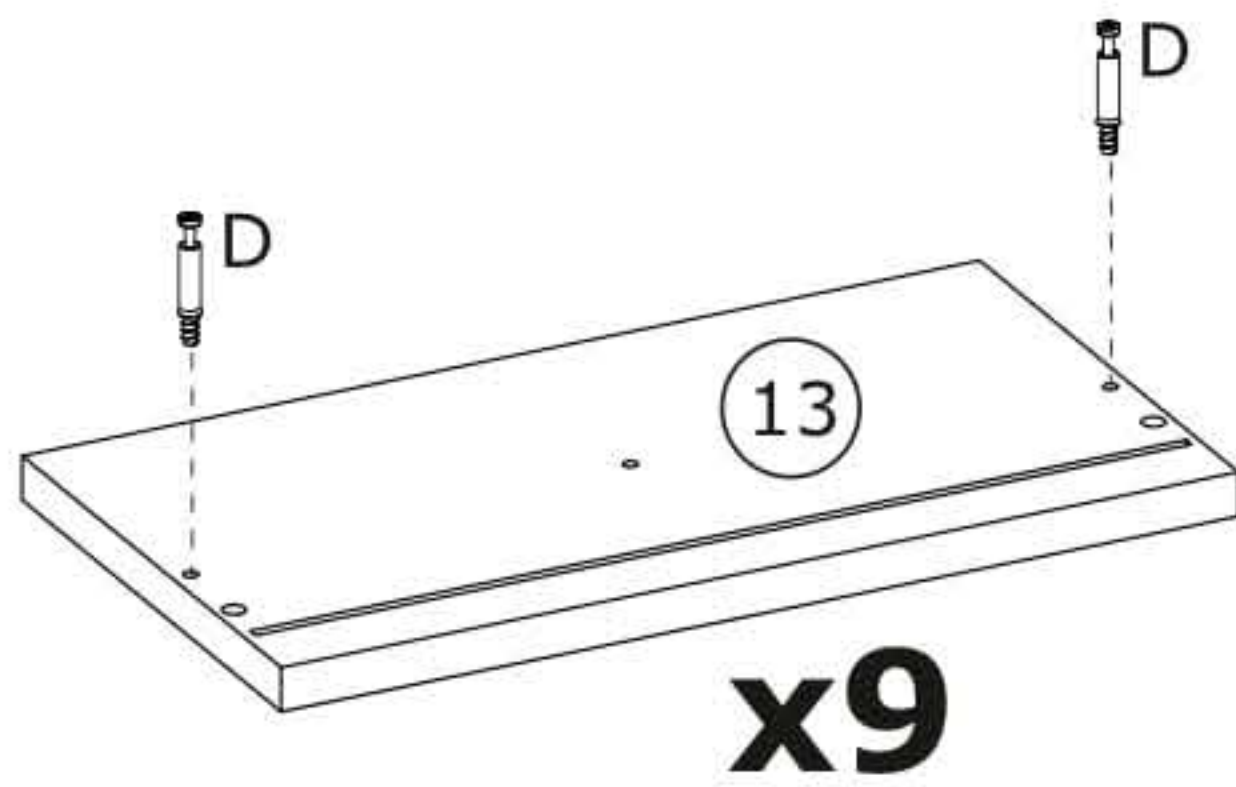


9

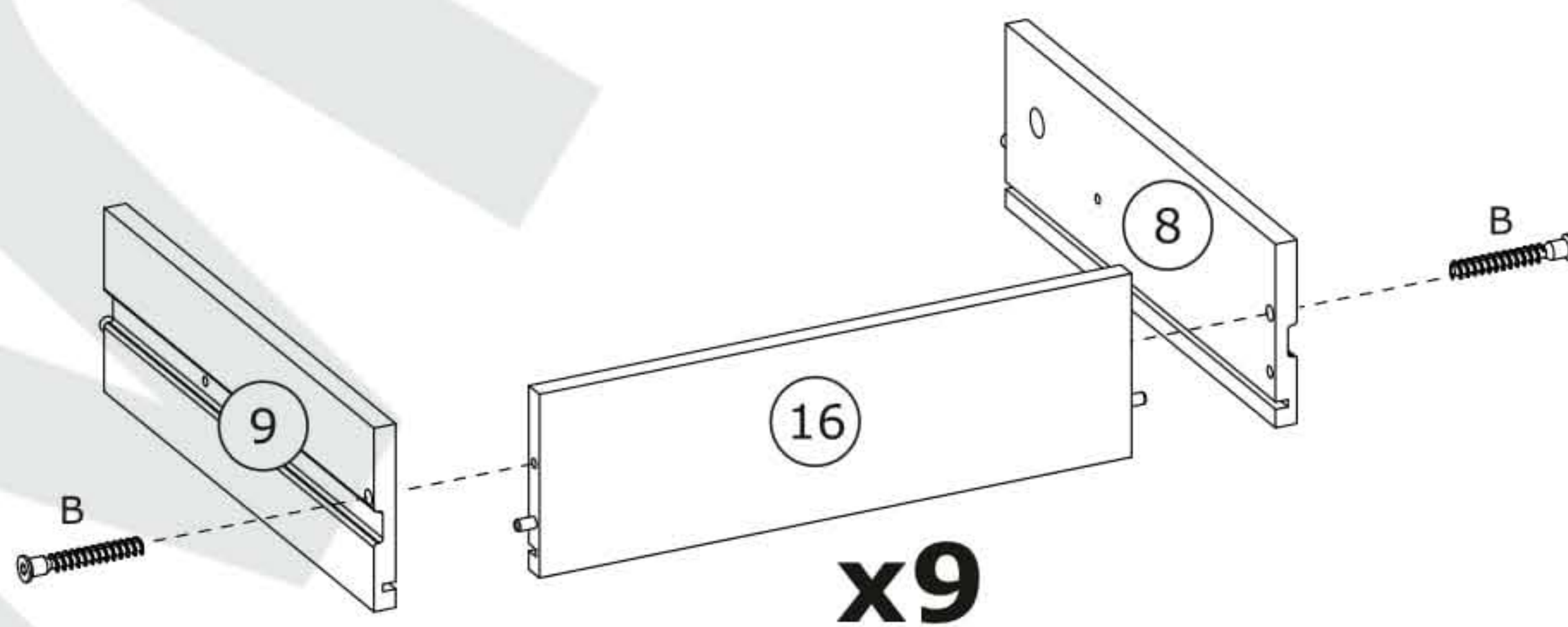
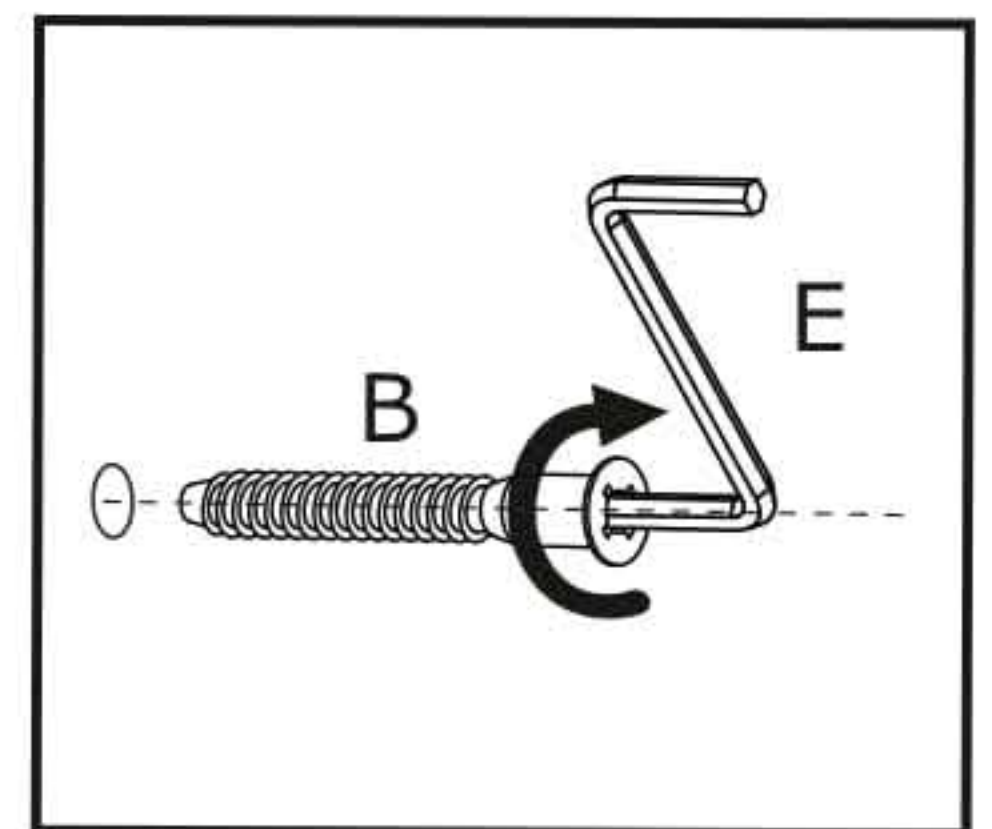
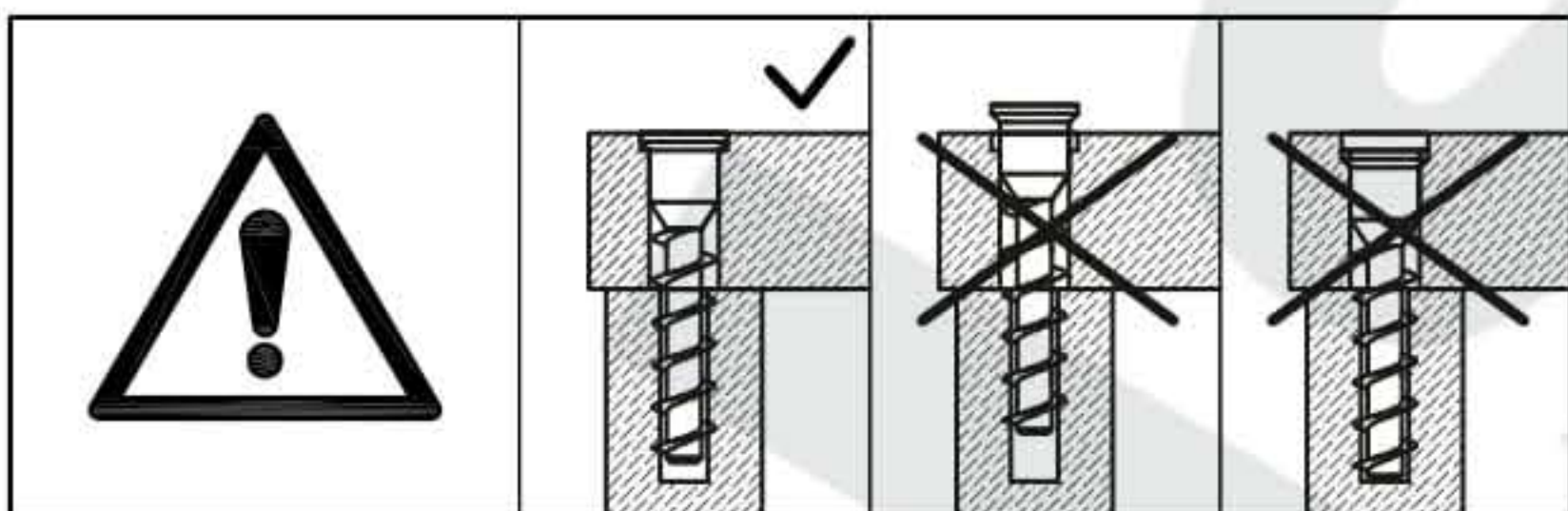
I x 1 	J x 1  3,5x16 mm	
--	---	---





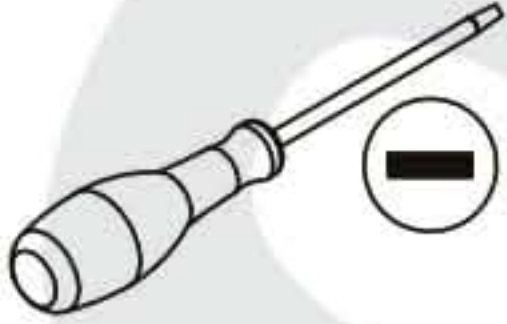
10

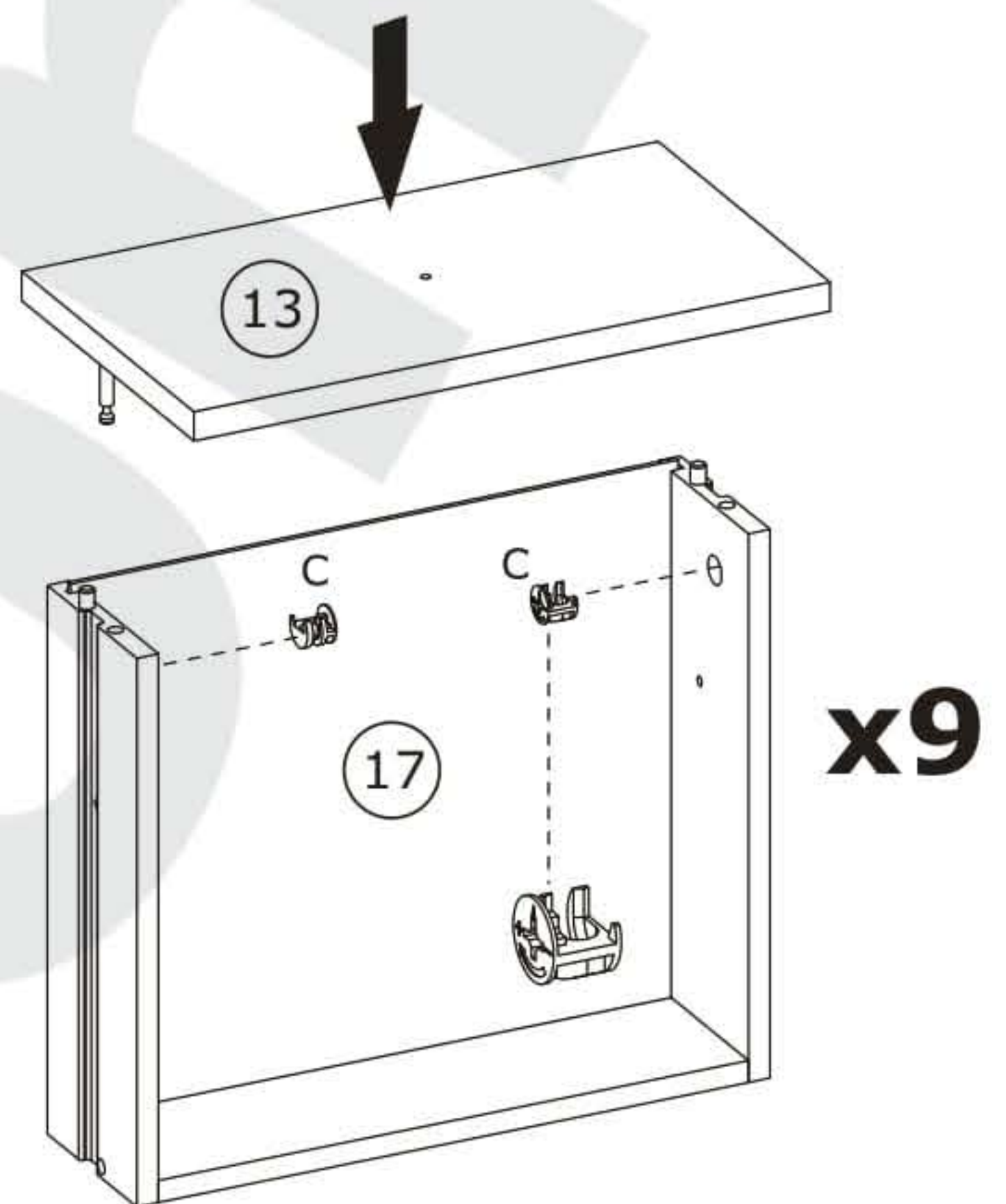
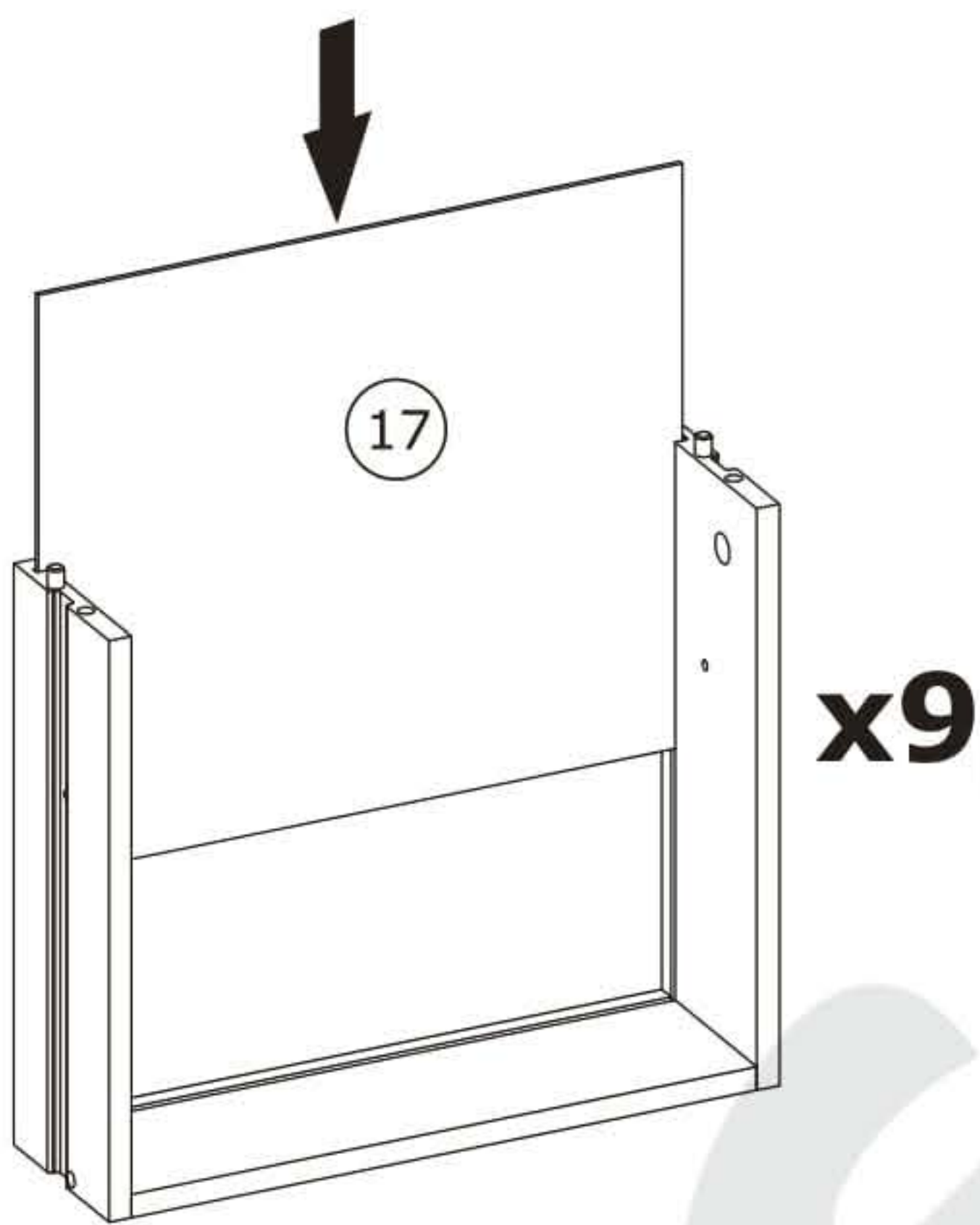
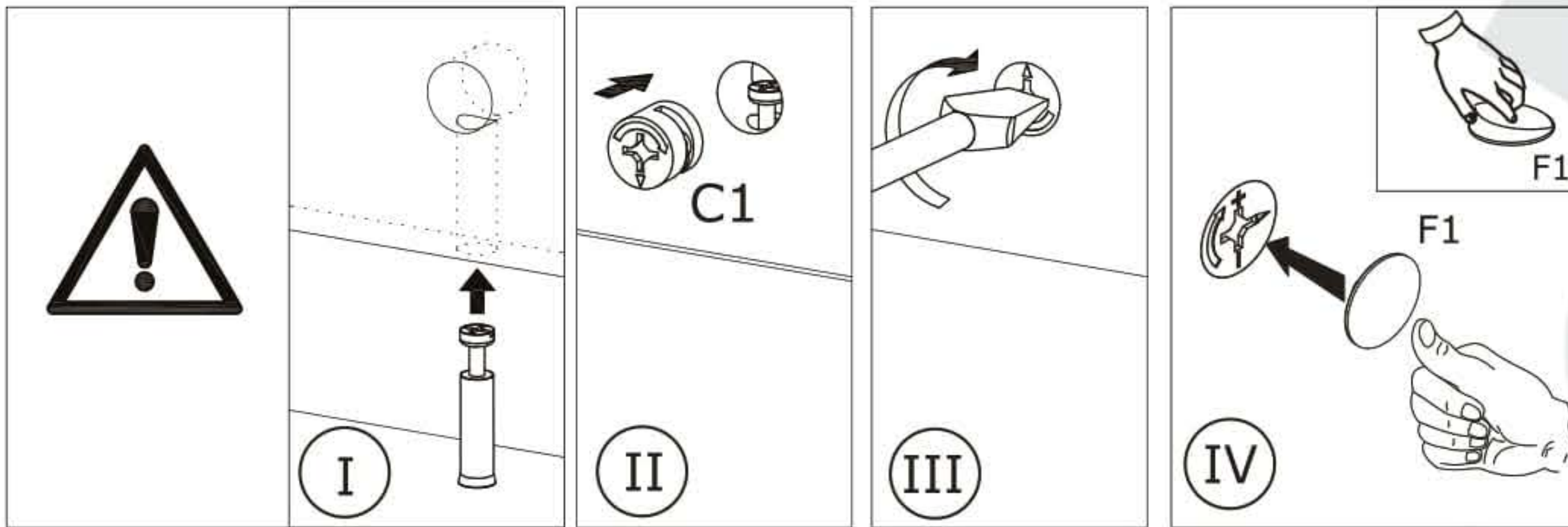


11



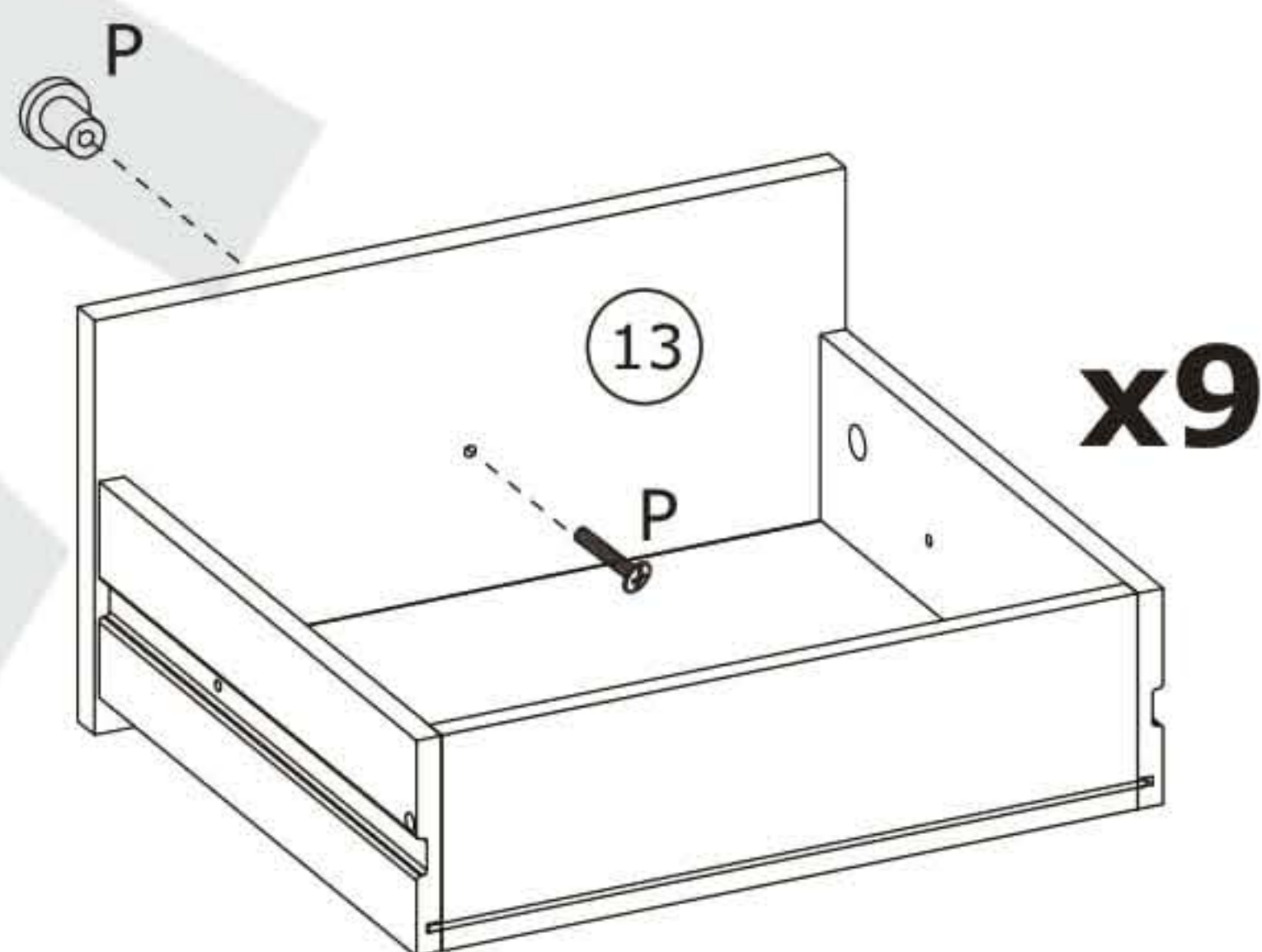
12

C1 x 18  Ø12x10 mm	F1 x 18  20 mm	
---	---	---



13

P x 9 	
--	---



14

Q x 18



4x9 mm

