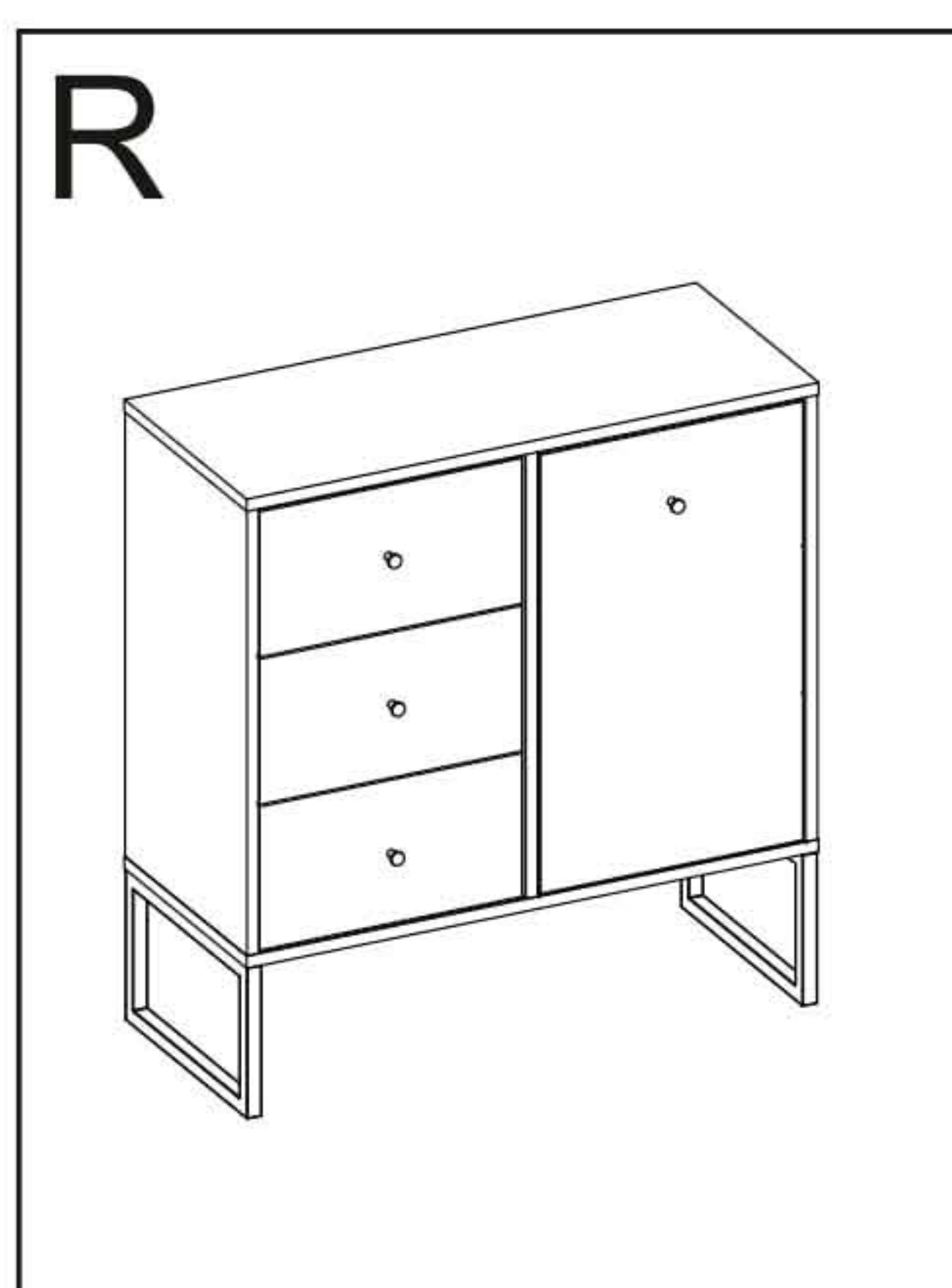
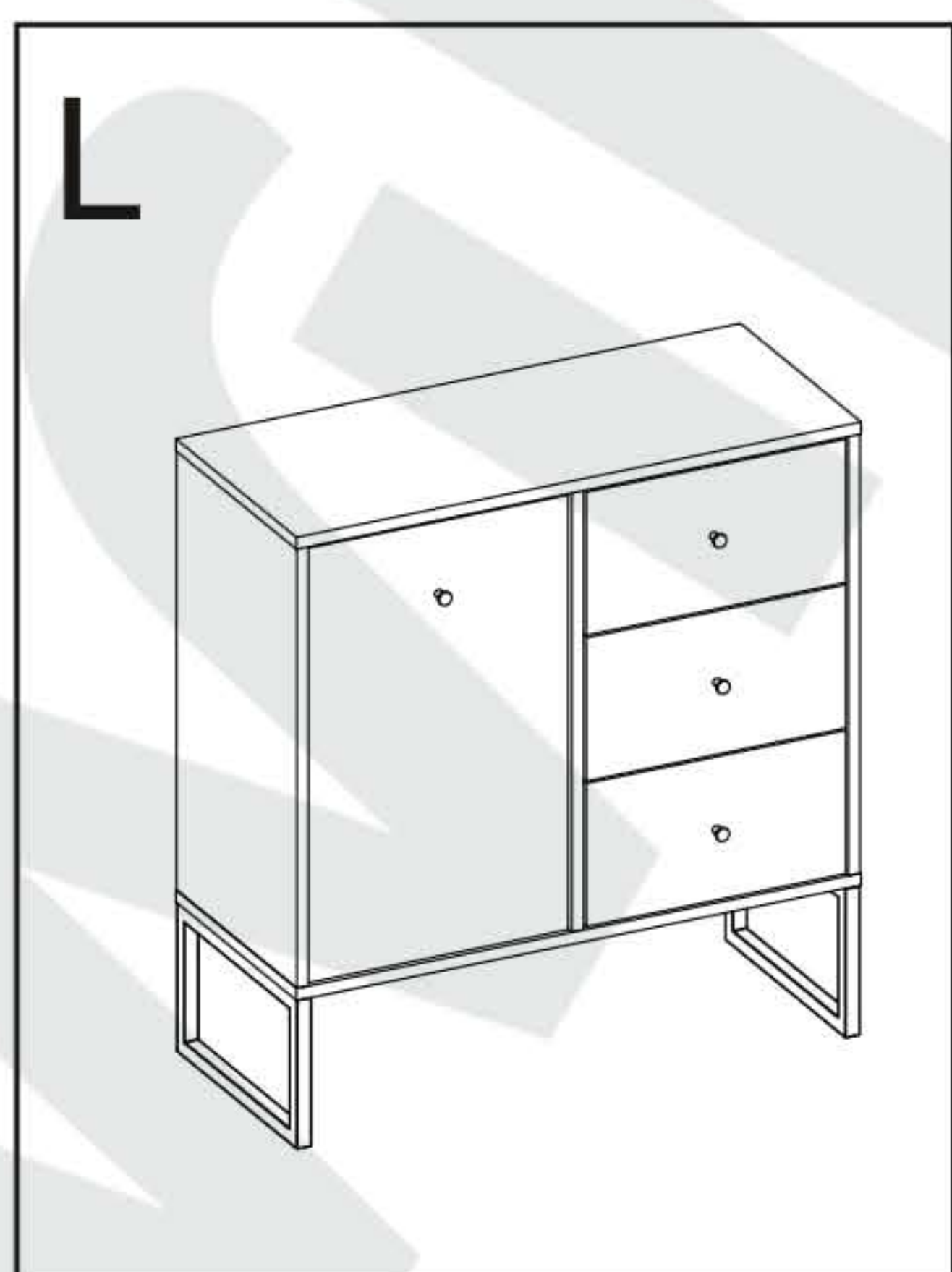
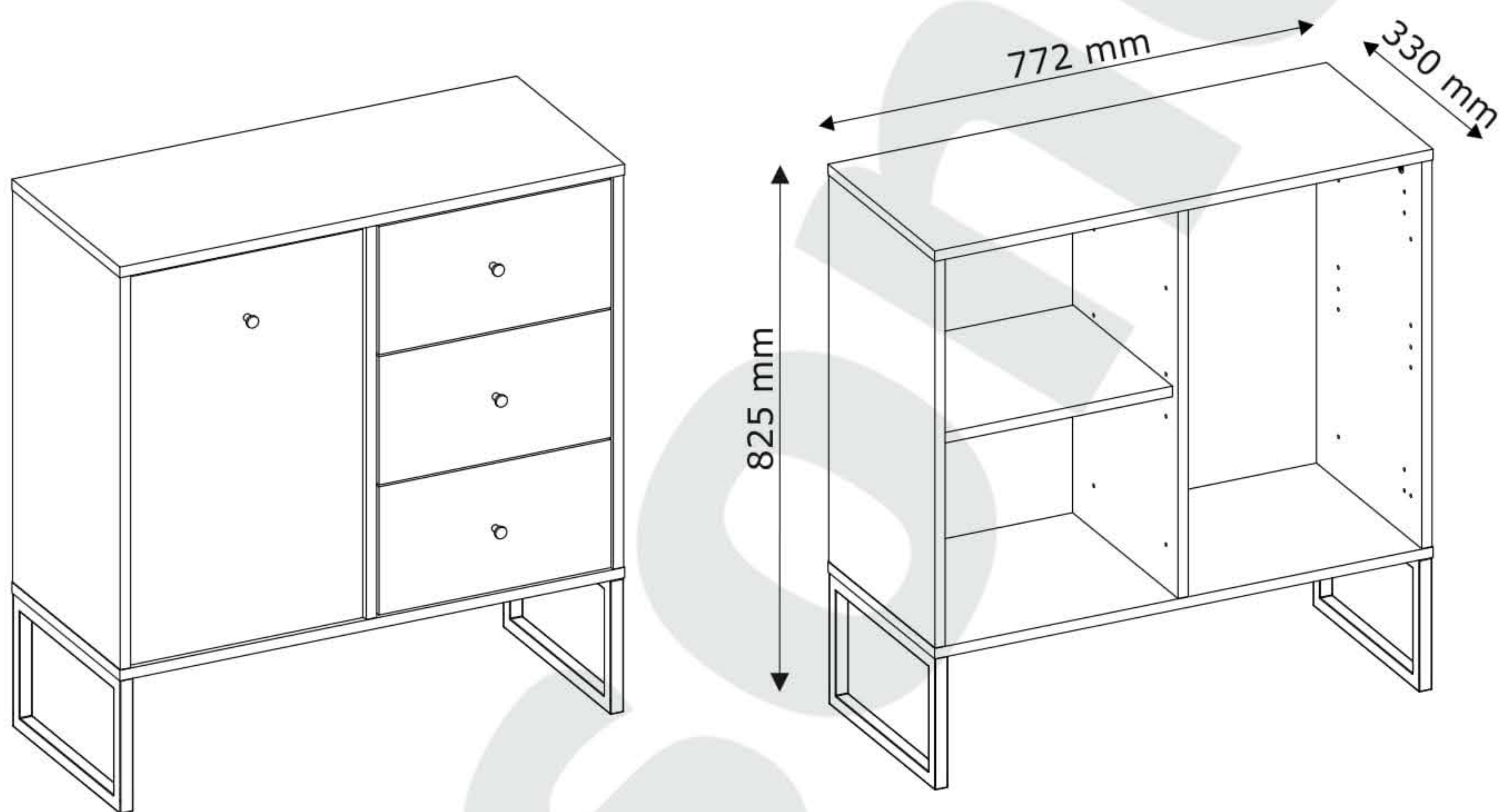
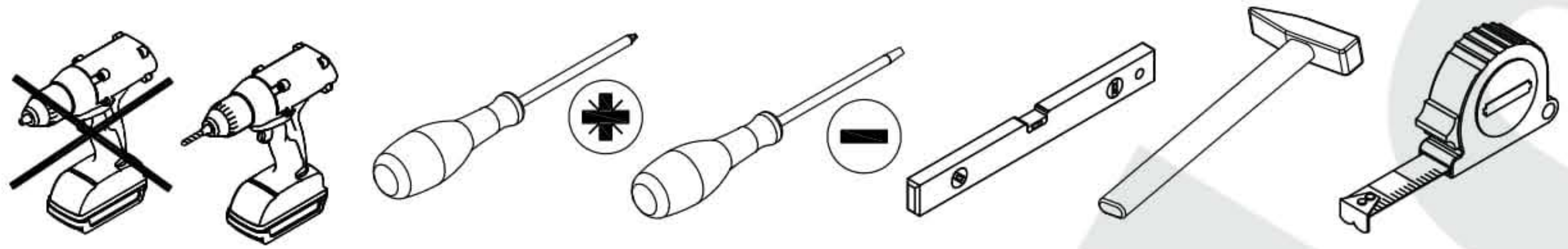


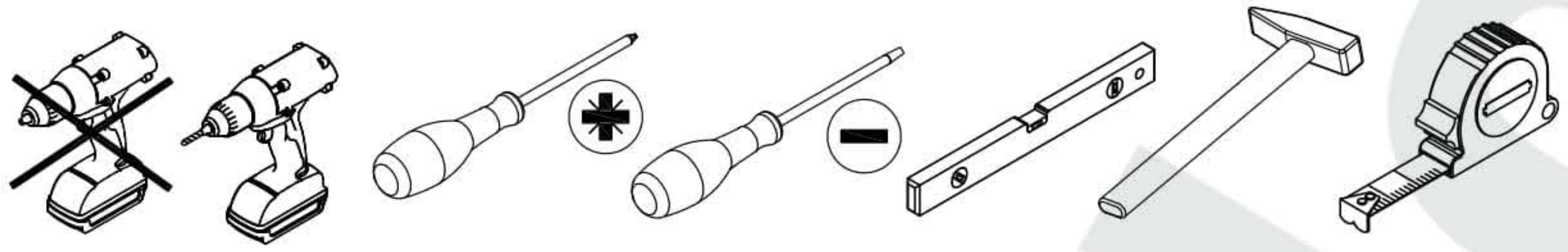
Linea 10

Cupboard 1D3S

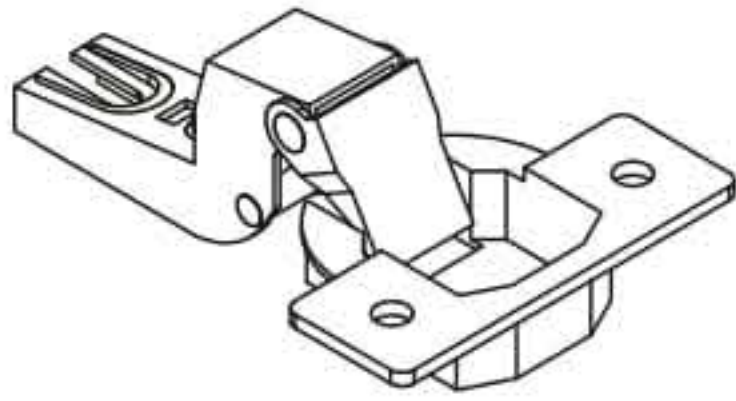




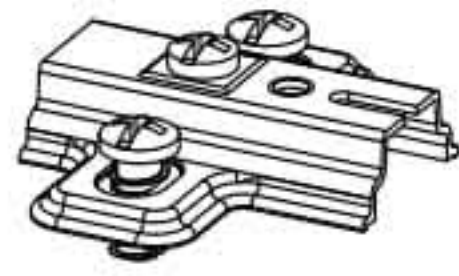
<p>A x 12</p>  <p>Ø8x35 mm</p>	<p>A1 x 6</p>  <p>Ø6x30 mm</p>	<p>B x 12</p>  <p>Ø7x50 mm</p>	<p>C x 6</p>  <p>Ø15x12 mm</p>
<p>C1 x 6</p>  <p>Ø12x10 mm</p>	<p>D x 12</p>  <p>Ø5x44 mm</p>	<p>E x 1</p>  <p>4 mm</p>	<p>F x 6</p>  <p>20 mm</p>
<p>F1 x 6</p>  <p>20 mm</p>	<p>G x 28</p>  <p>1,2x25 mm</p>	<p>H x 4</p>  <p>22x9x2 mm</p>	<p>I x 1</p> 
<p>J x 5</p>  <p>3,5x16 mm</p>	<p>M x 12</p>  <p>Ø6,3x13 mm</p>	<p>N1 x 6</p>  <p>278 mm</p>	
<p>O x 4</p>  <p>Ø5mm</p>	<p>P x 4</p> 	<p>Q x 6</p>  <p>4x9 mm</p>	



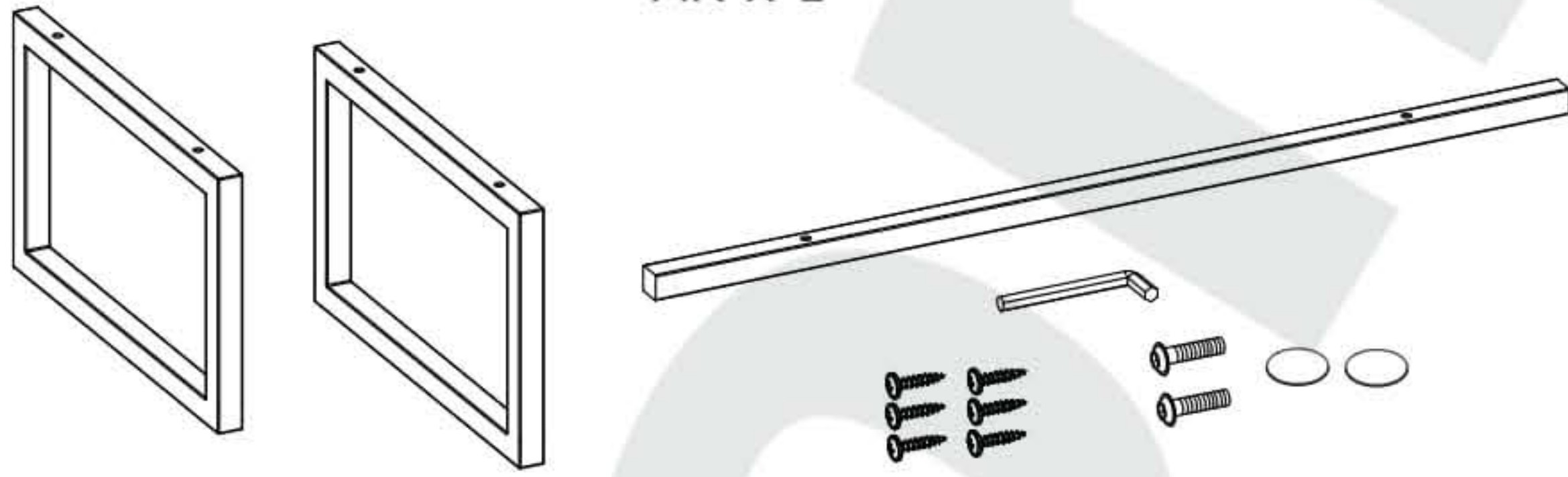
R x 2

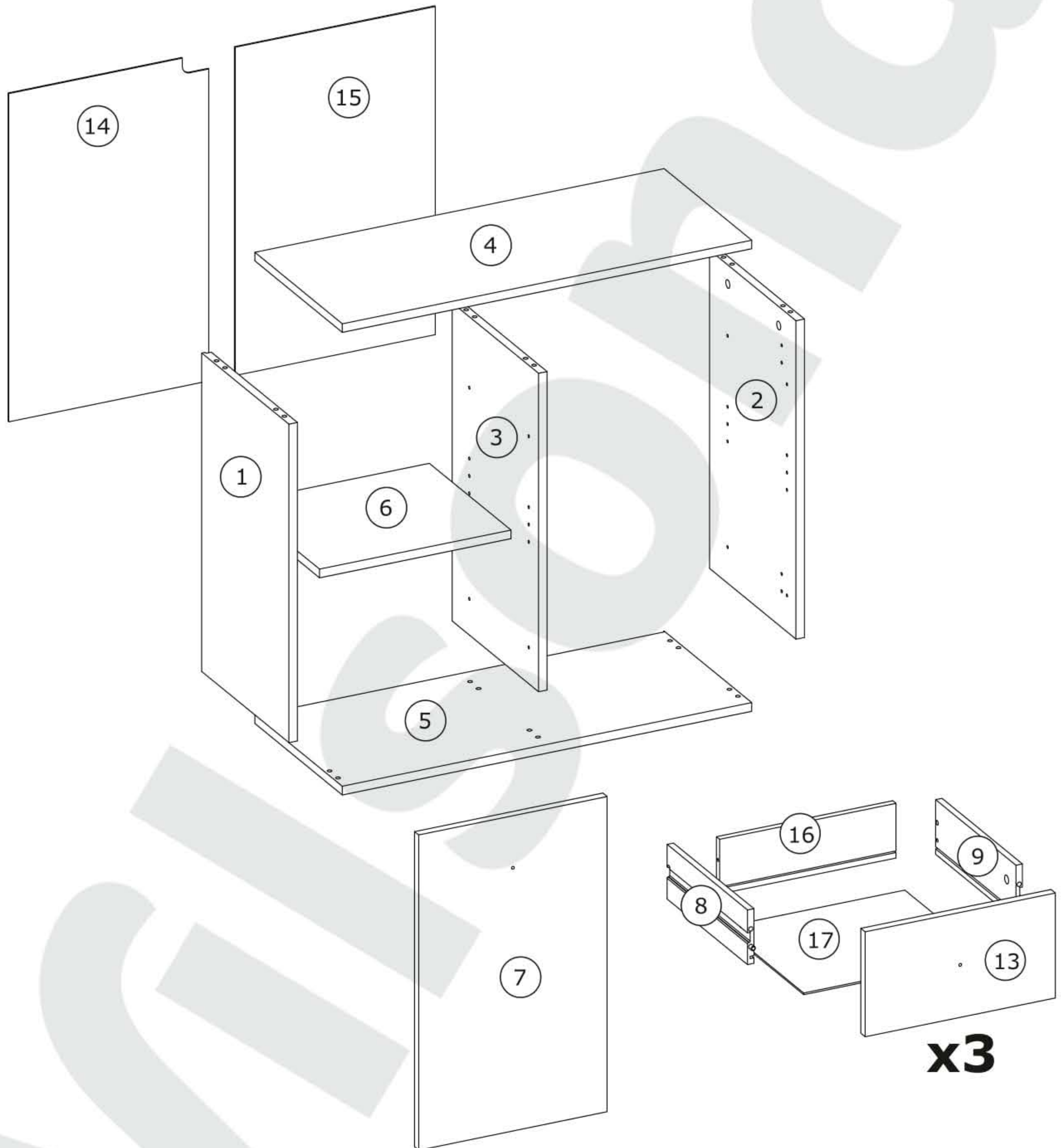


S x 2

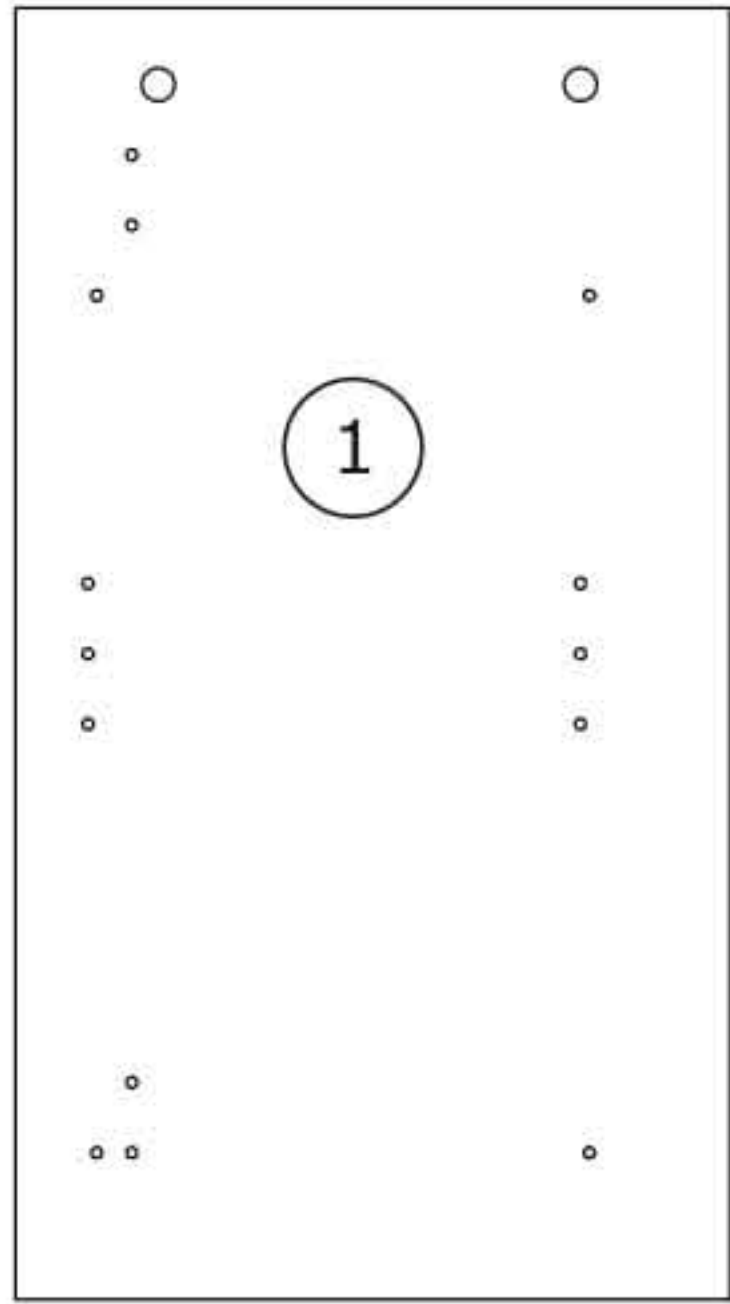


AK x 1

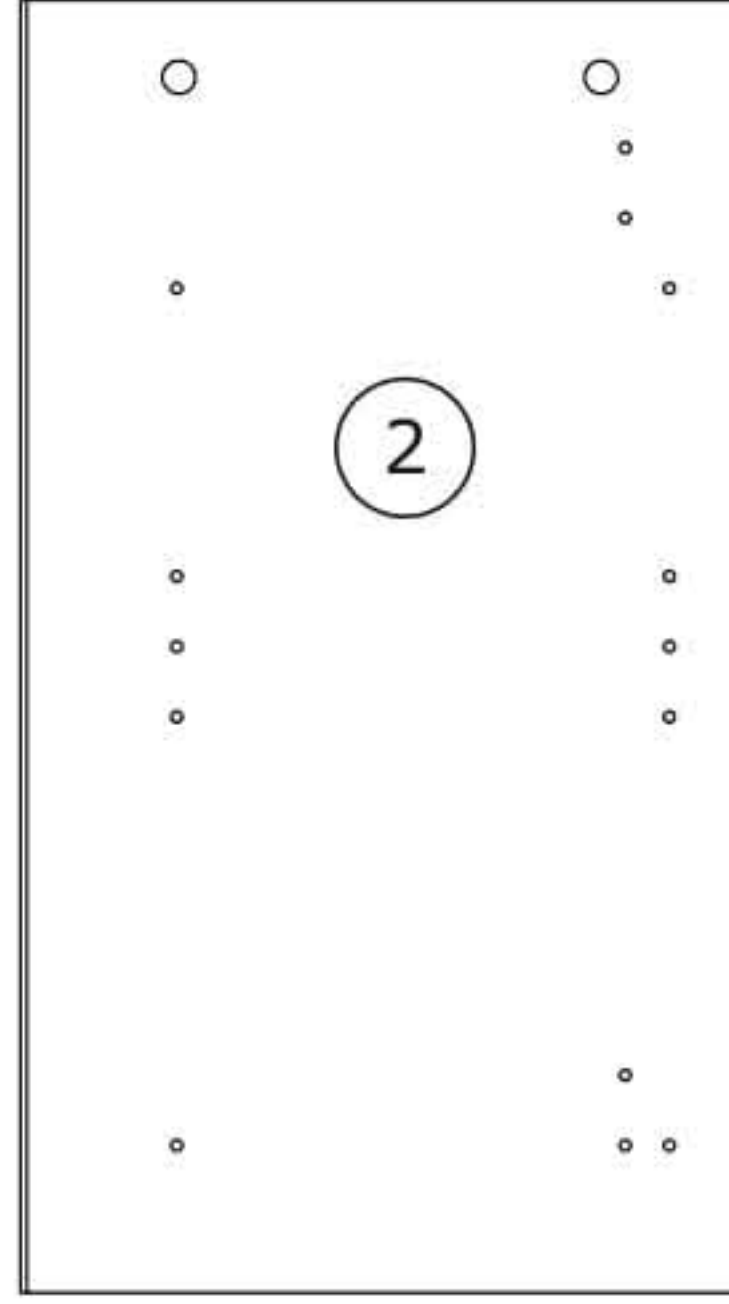




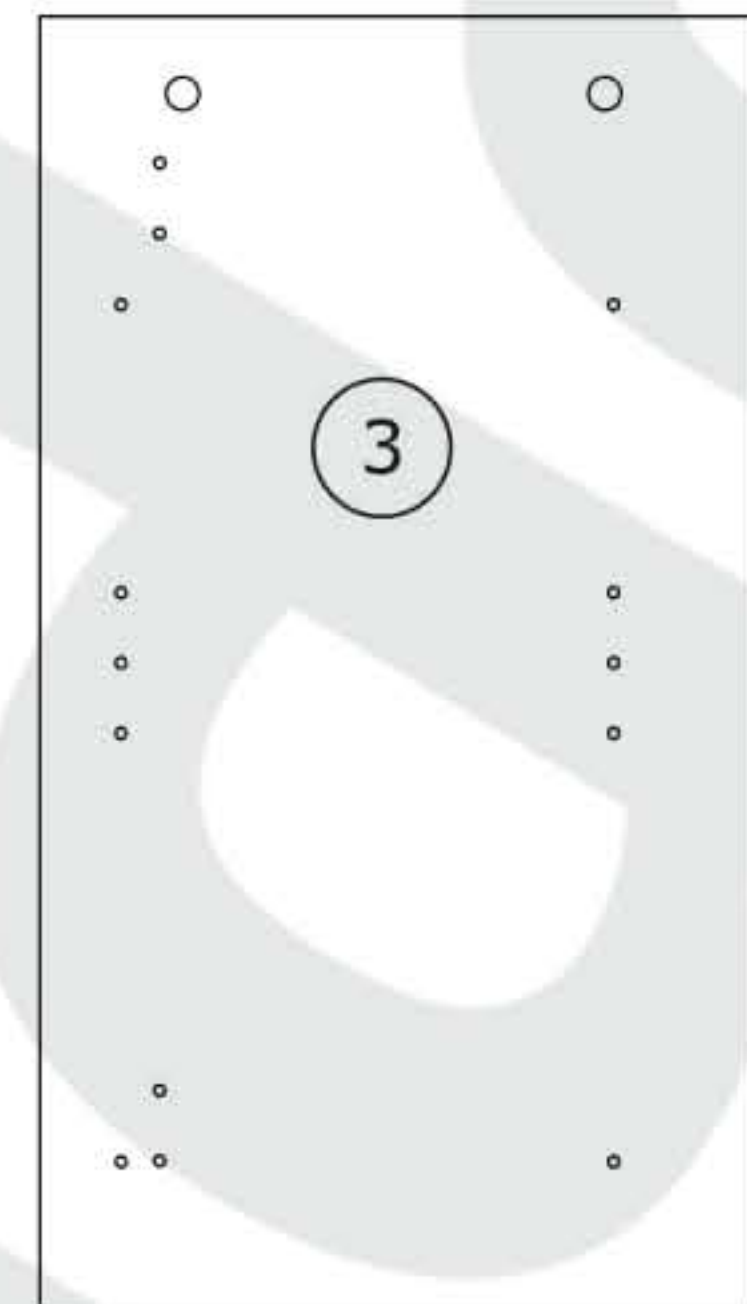
BOX 1/1:



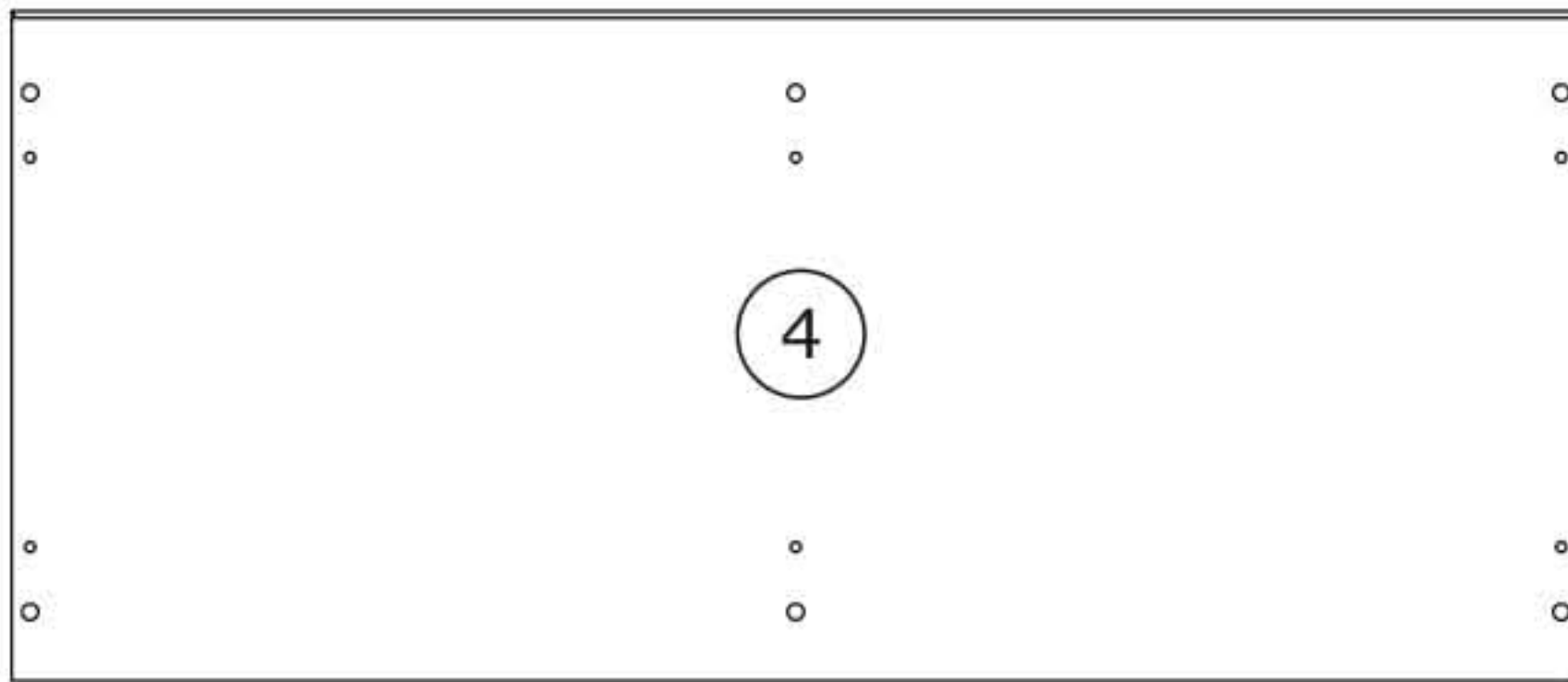
588x329x16 mm



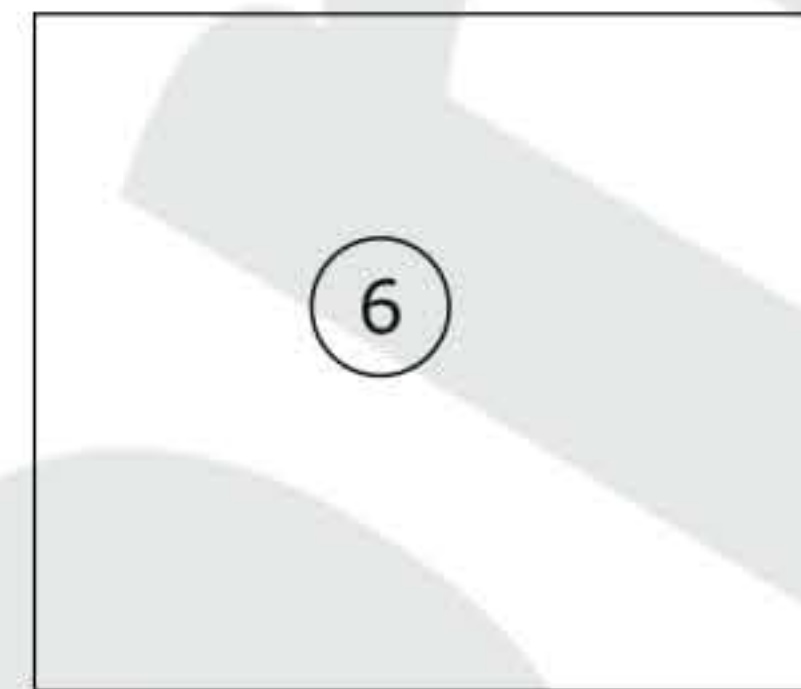
588x329x16 mm



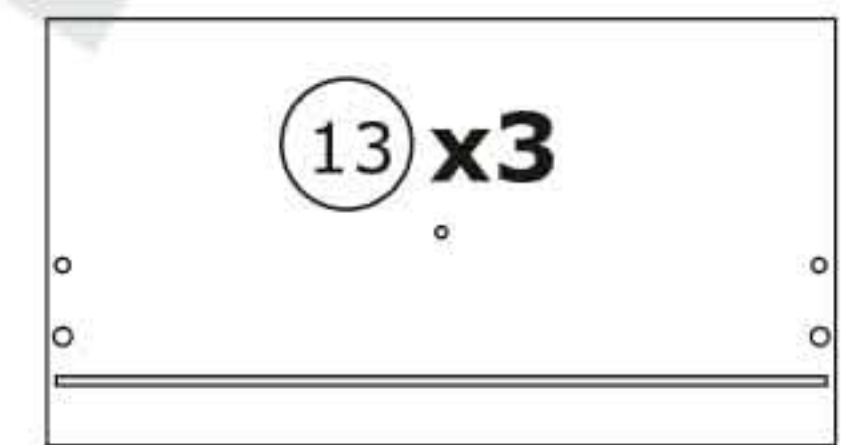
588x326x16 mm



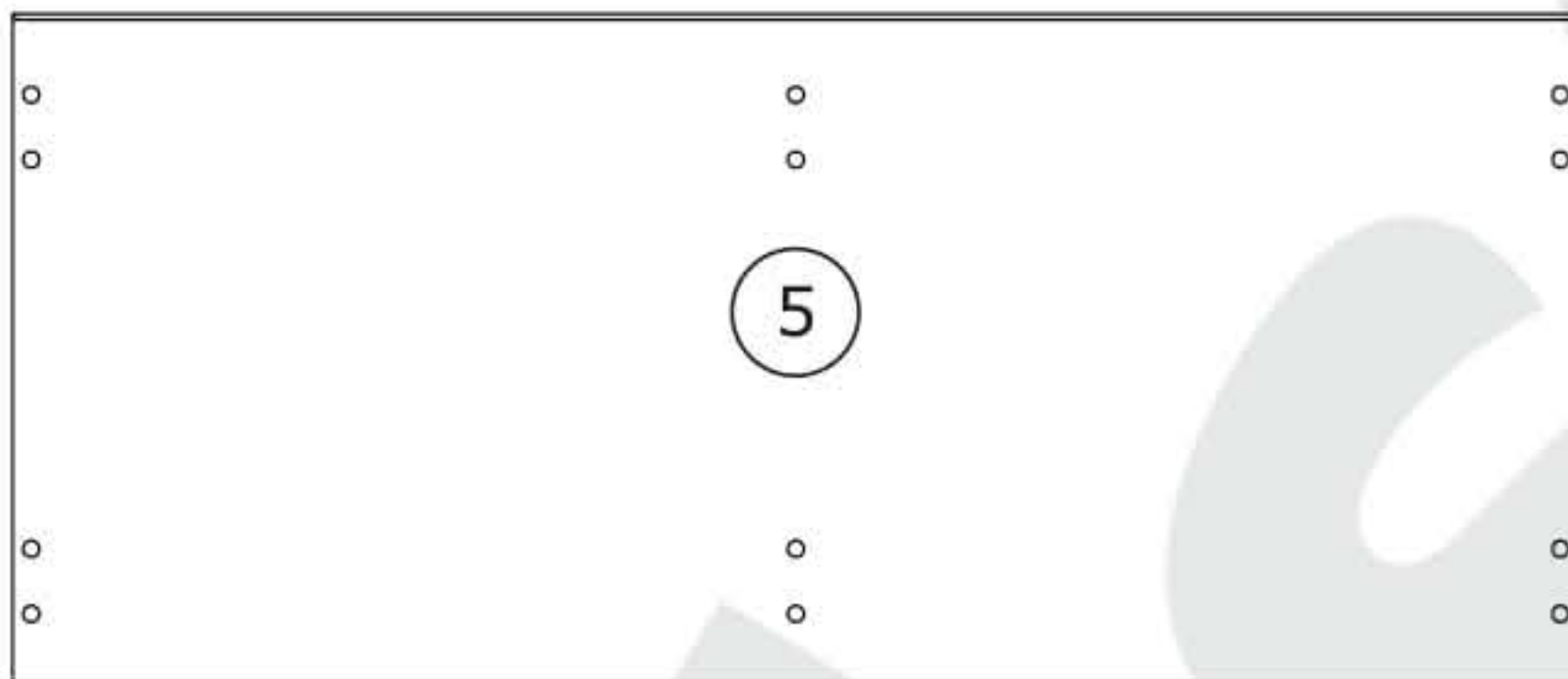
772x330x16 mm



361x308x16 mm



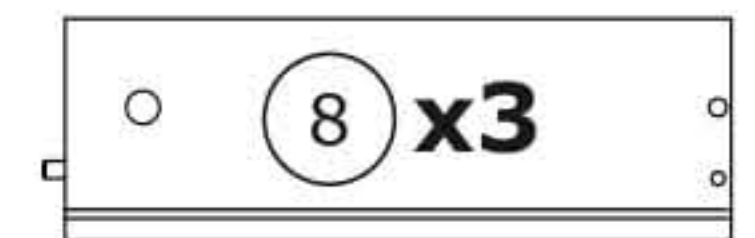
355x192x16 mm



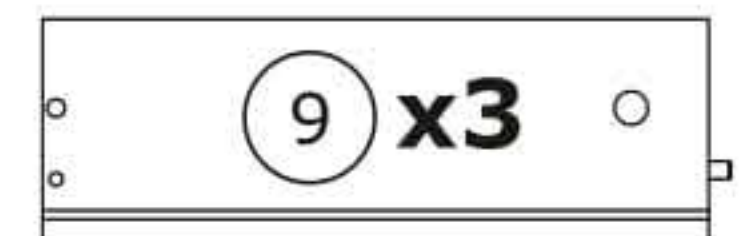
772x330x16 mm



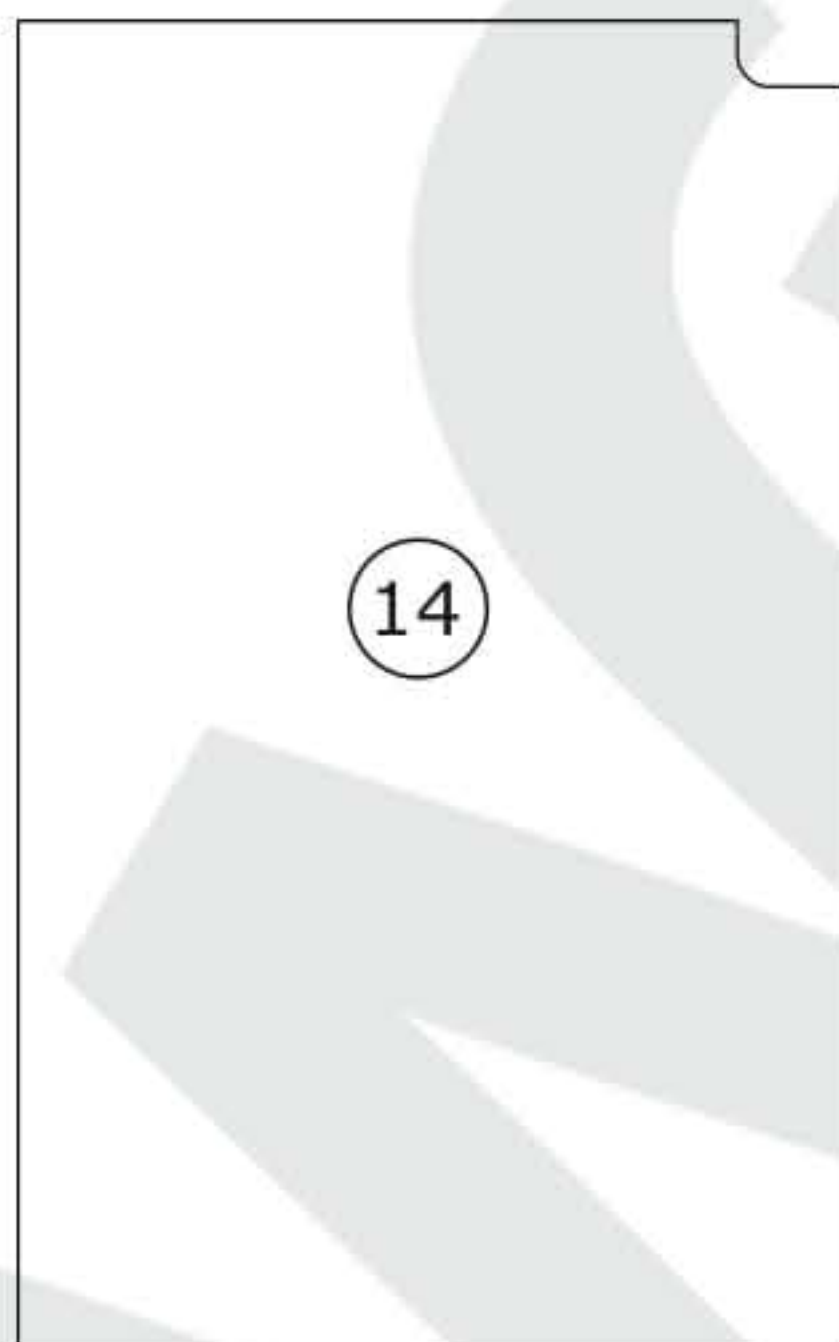
582x355x16 mm



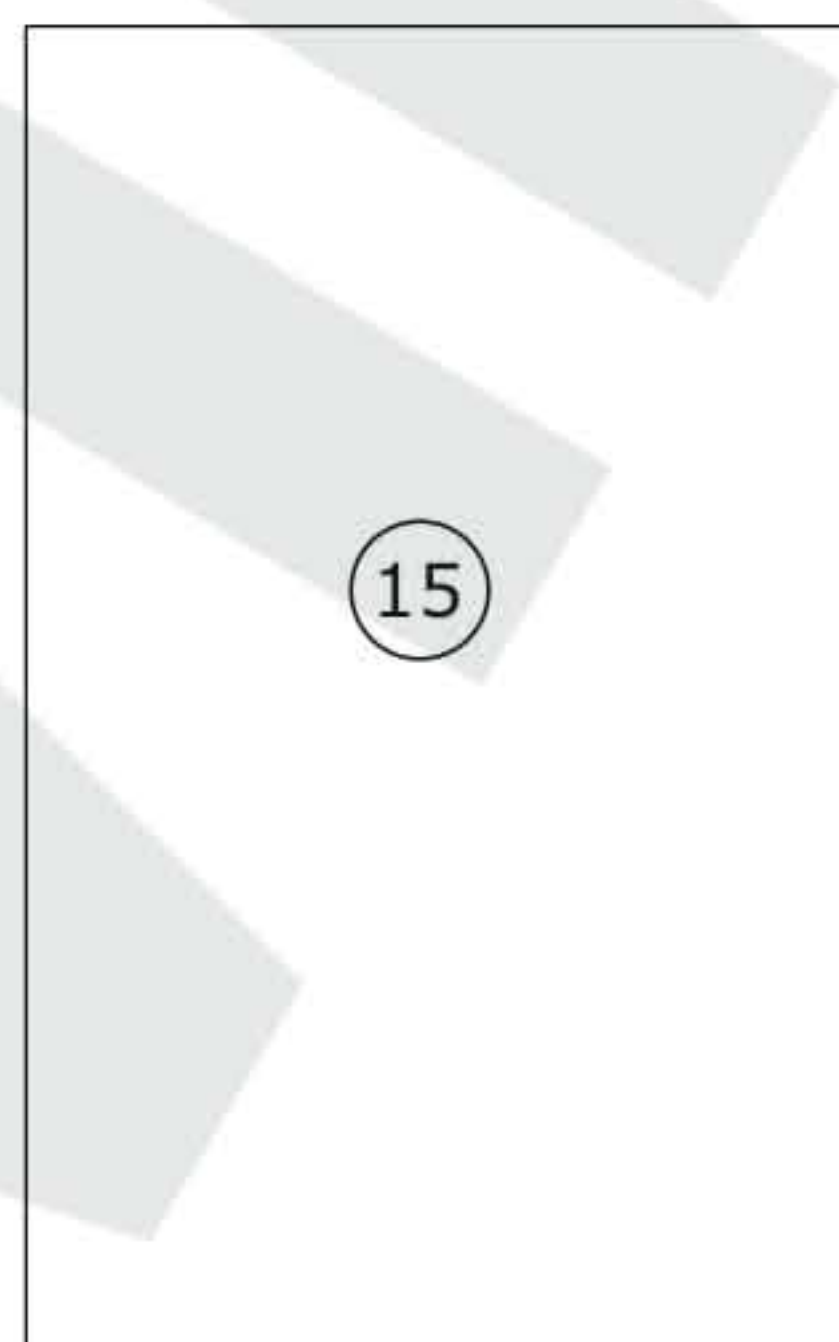
300x100x12 mm



300x100x12 mm



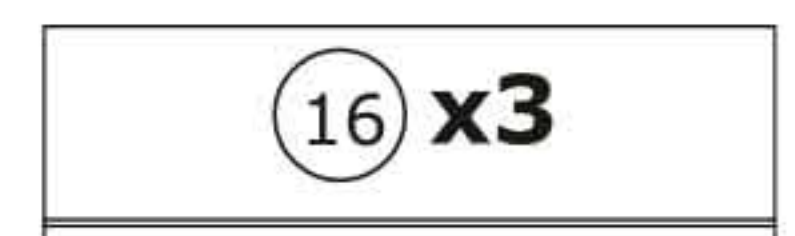
606x377x2,5 mm



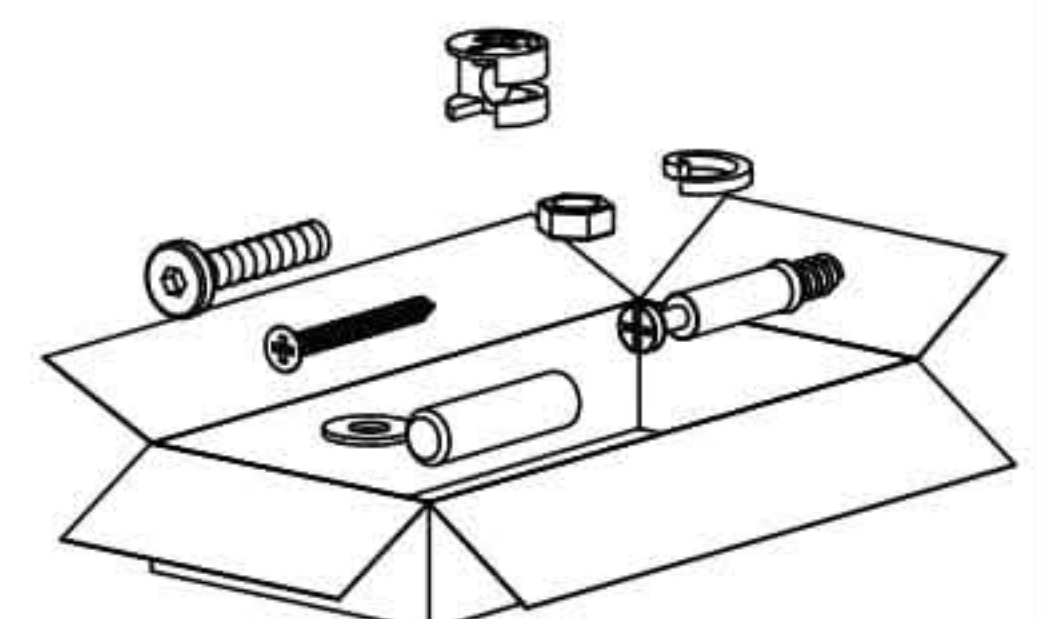
606x377x2,5 mm



339x301x2,5 mm

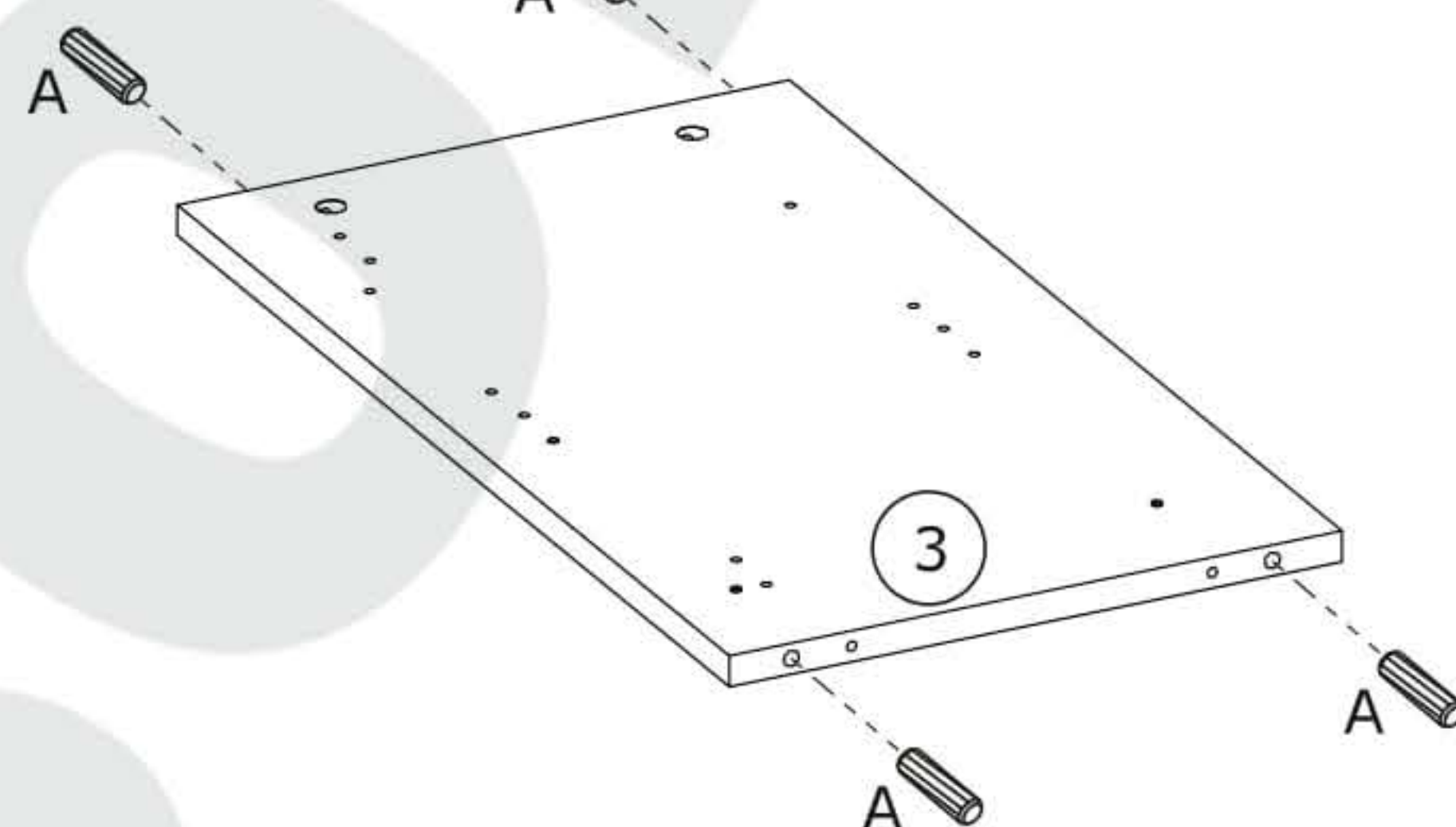
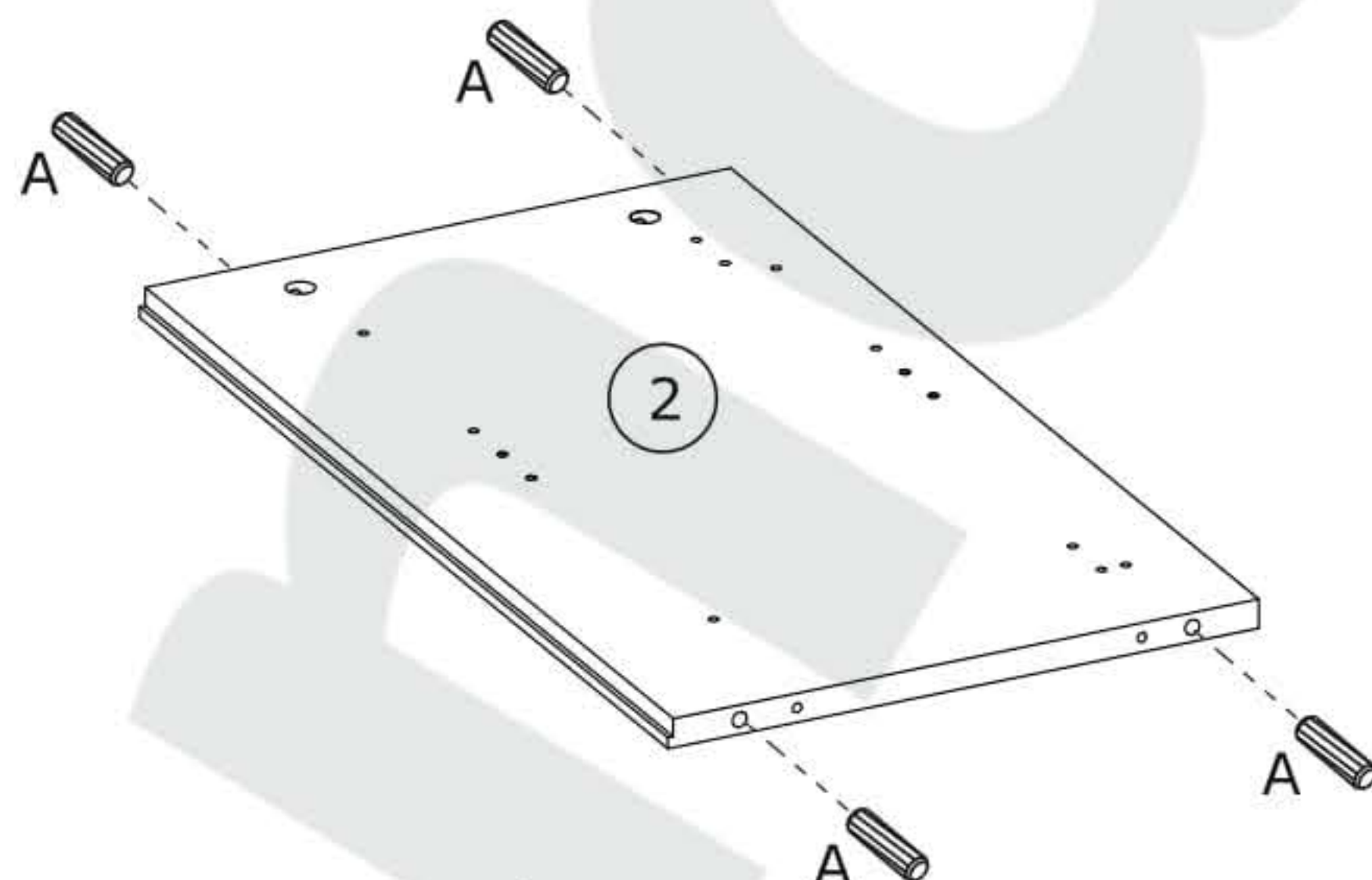
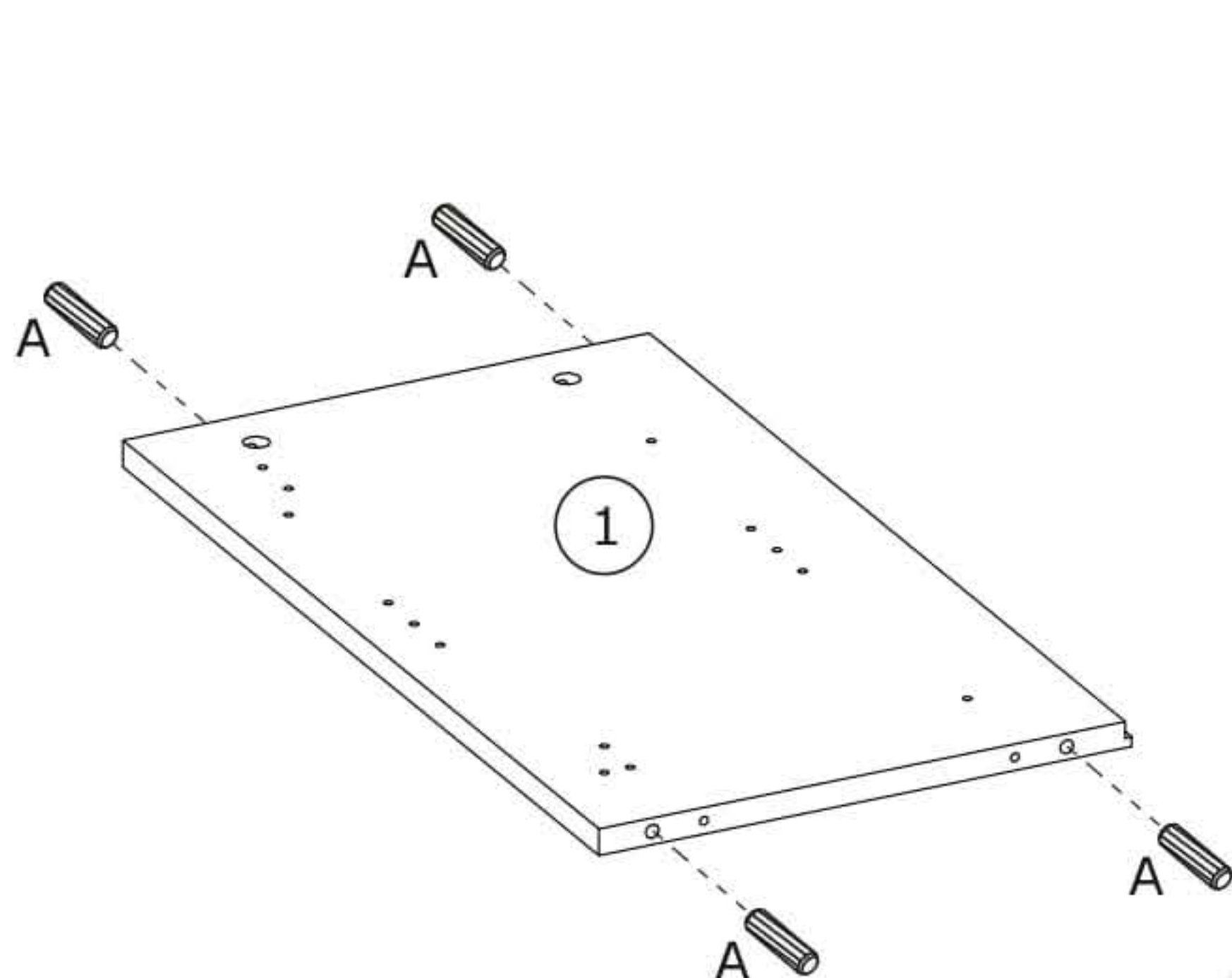
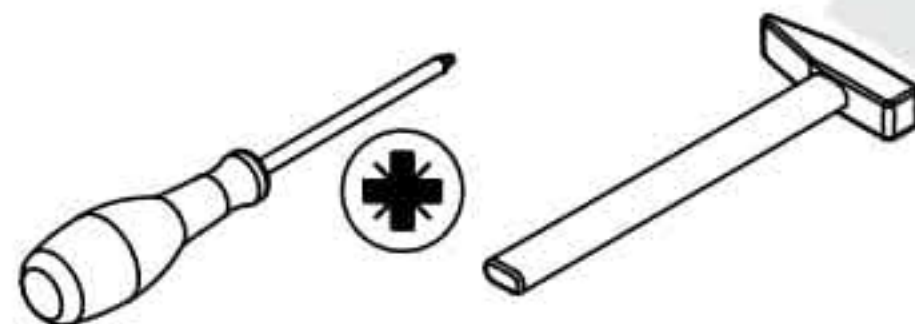
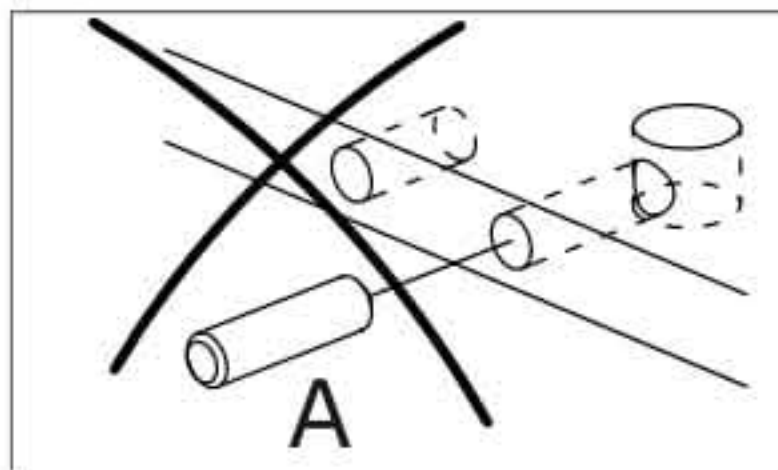
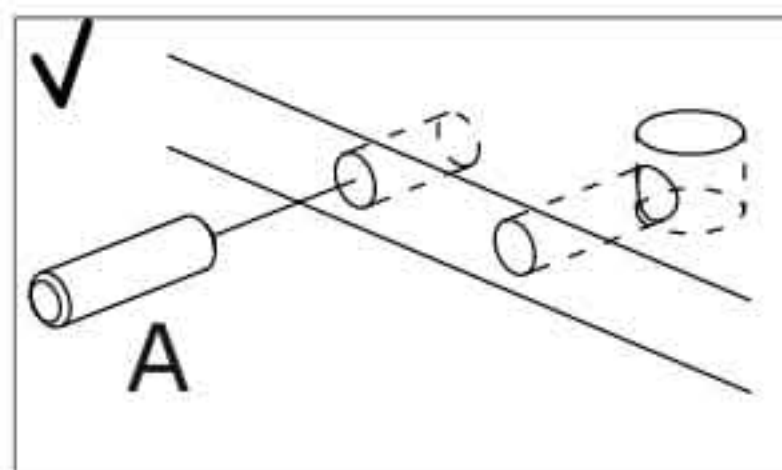


329x100x12 mm



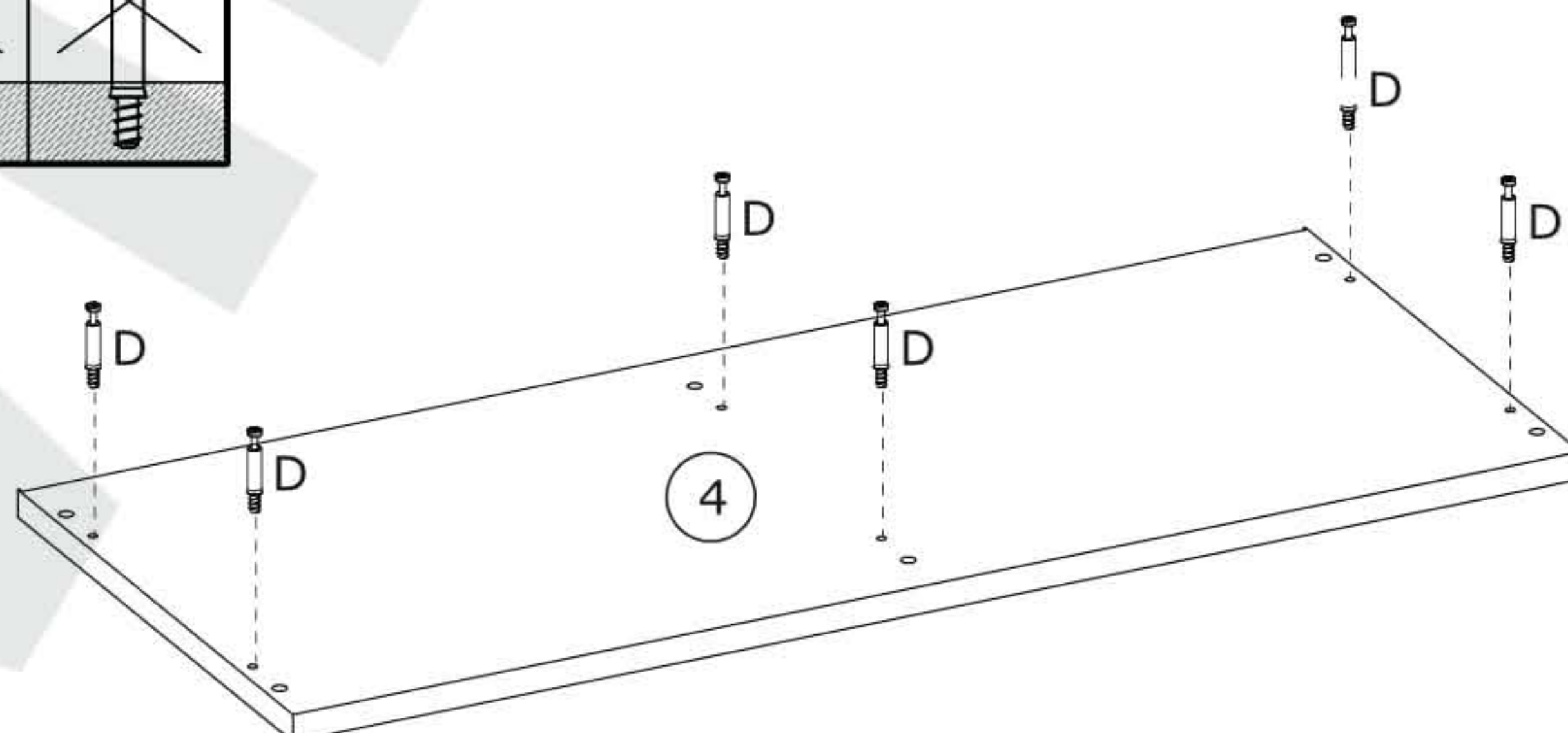
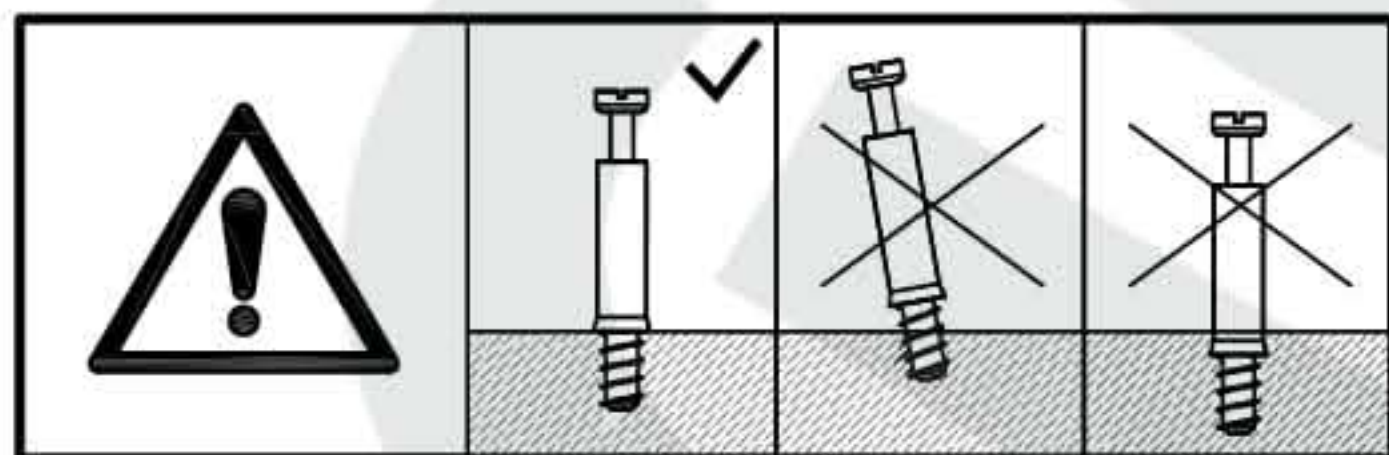
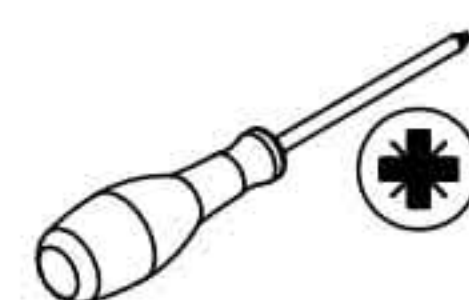
1

A x 12
Ø8x35 mm



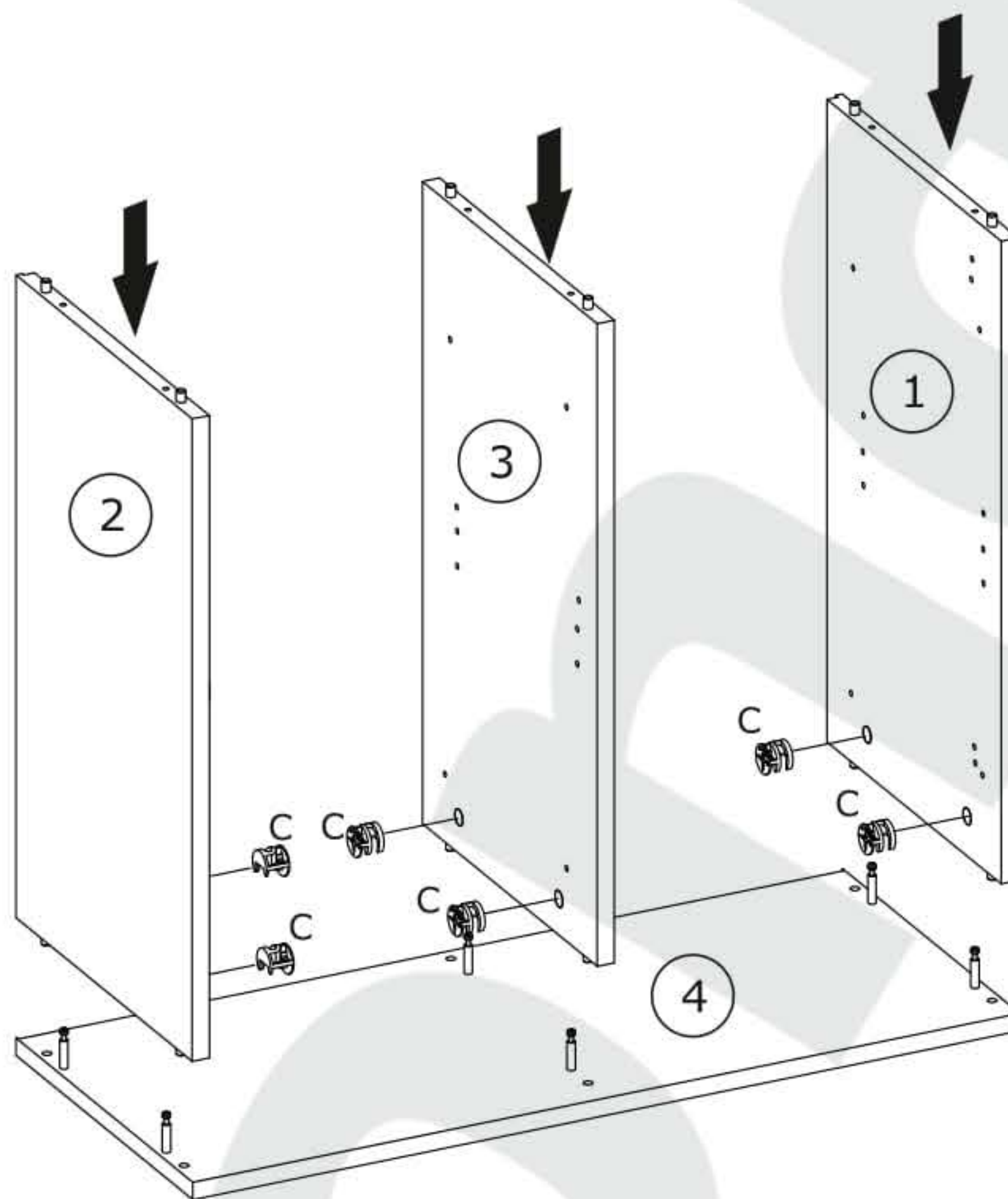
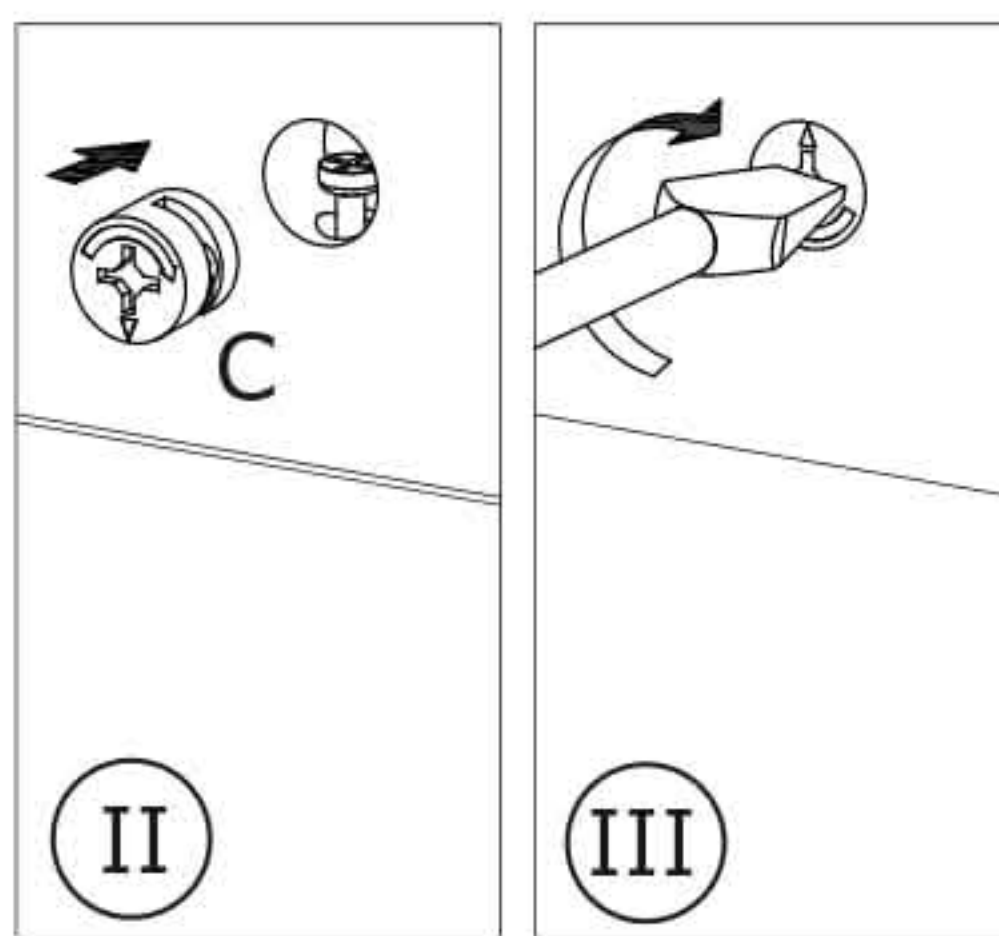
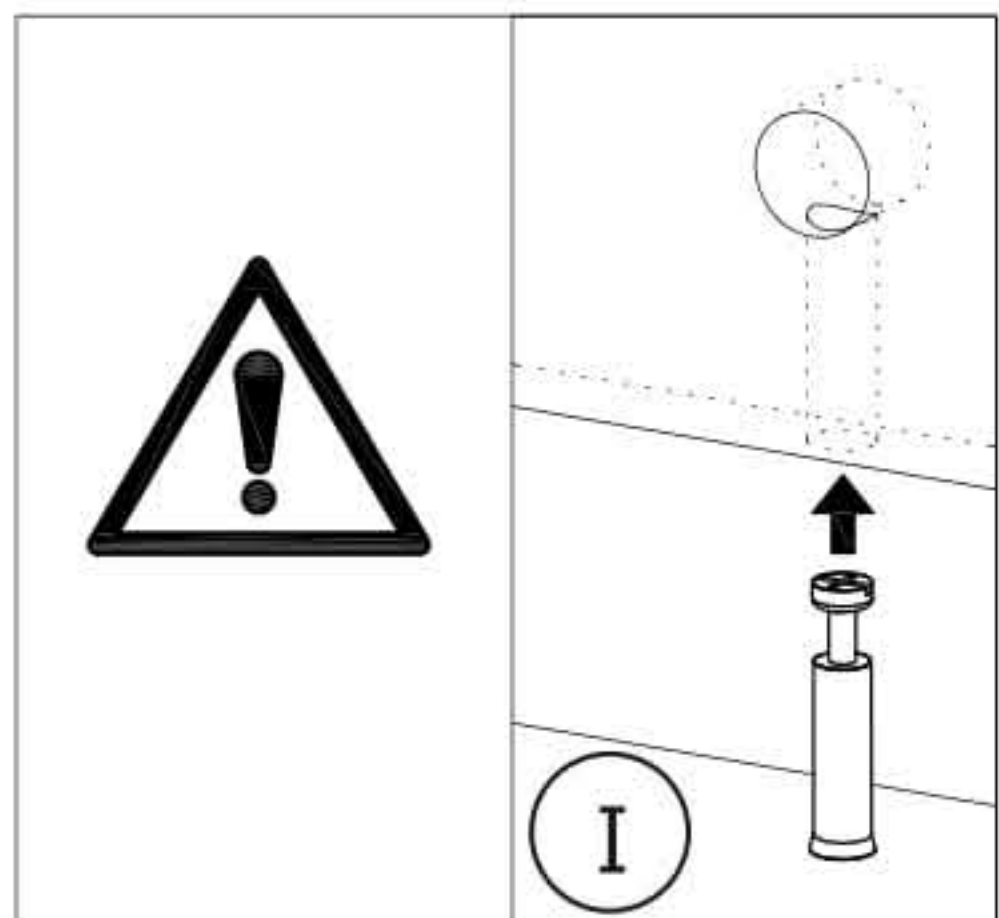
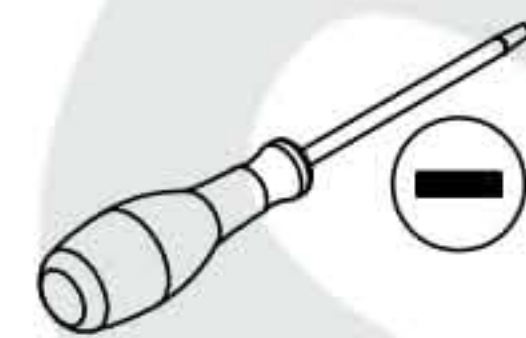
2

D x 6
Ø5x44 mm



3

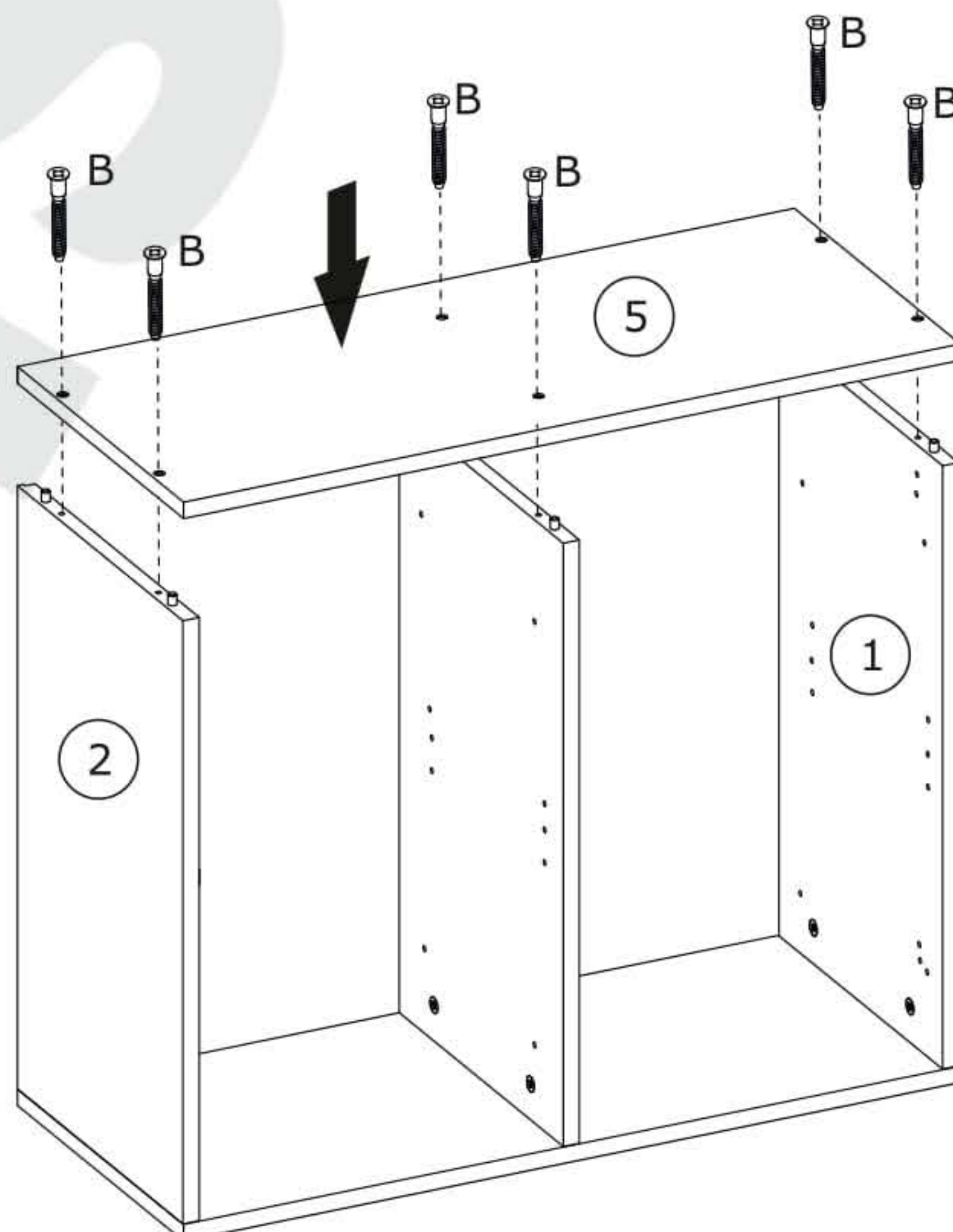
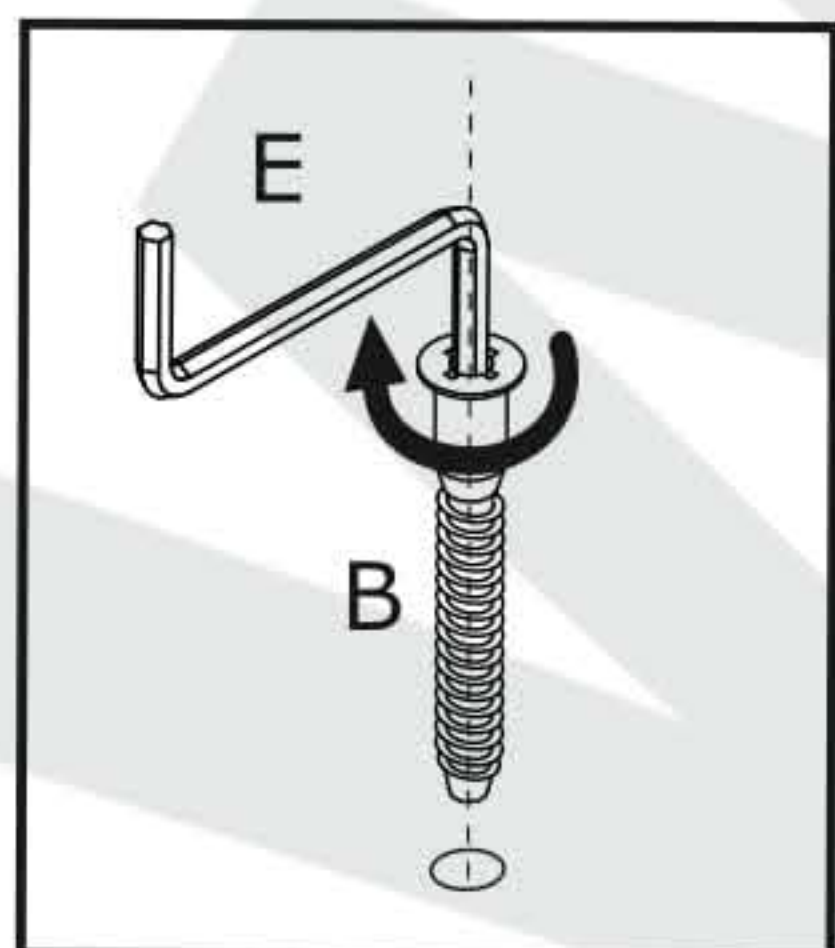
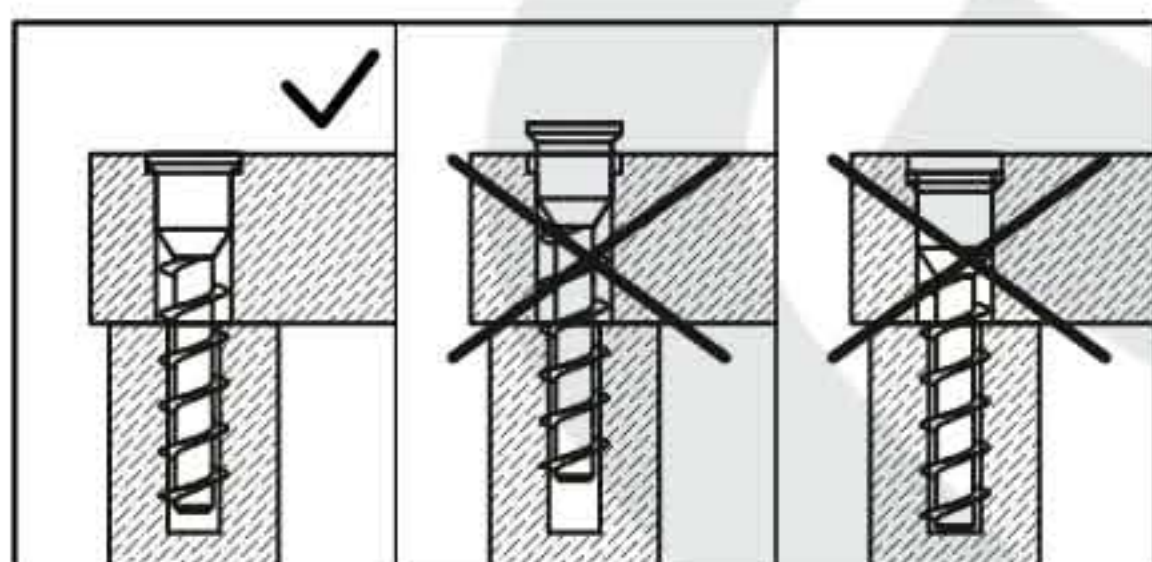
C x 6
Ø15x12 mm



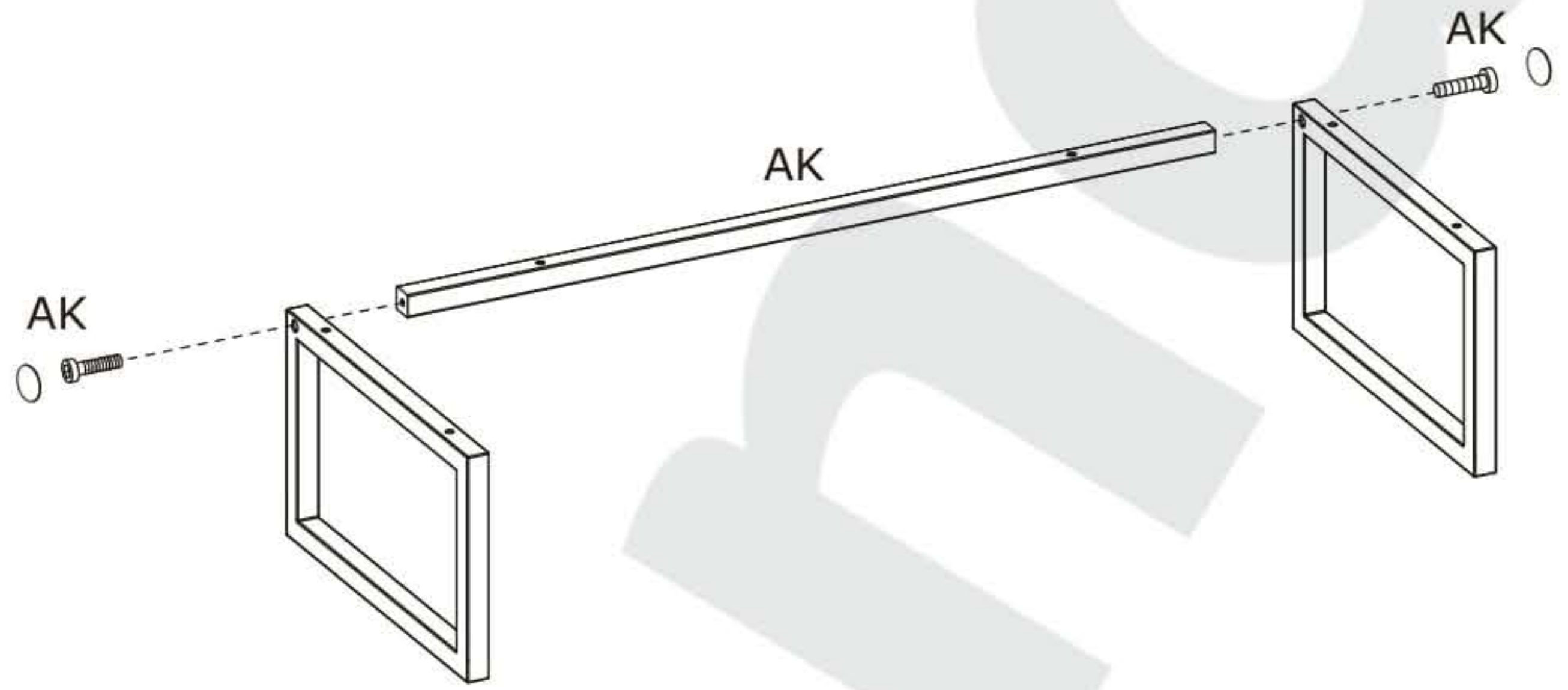
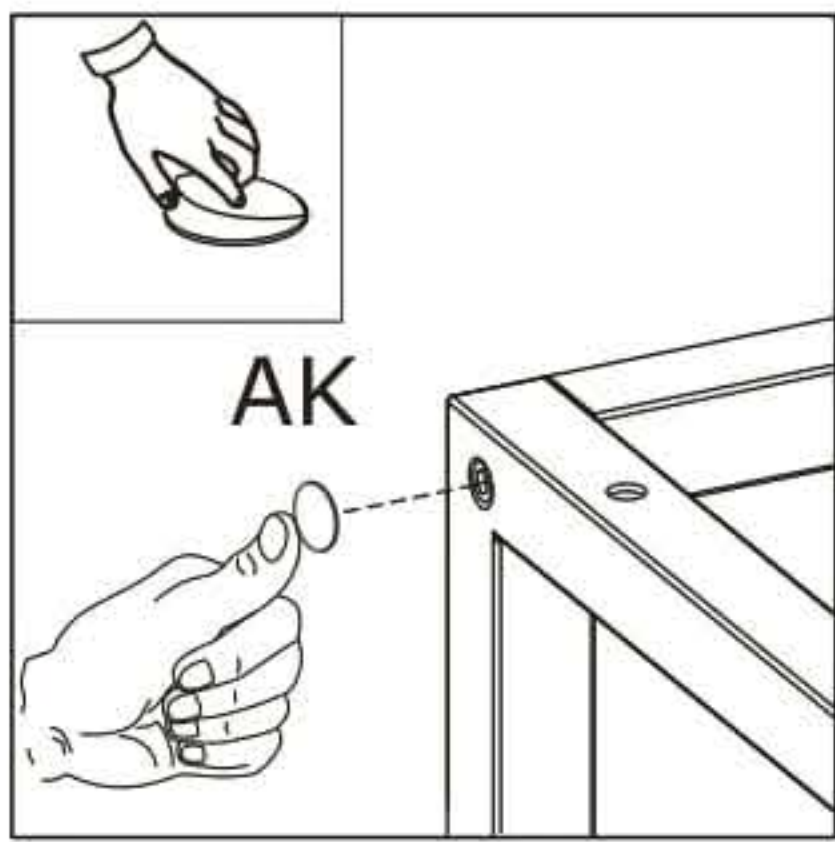
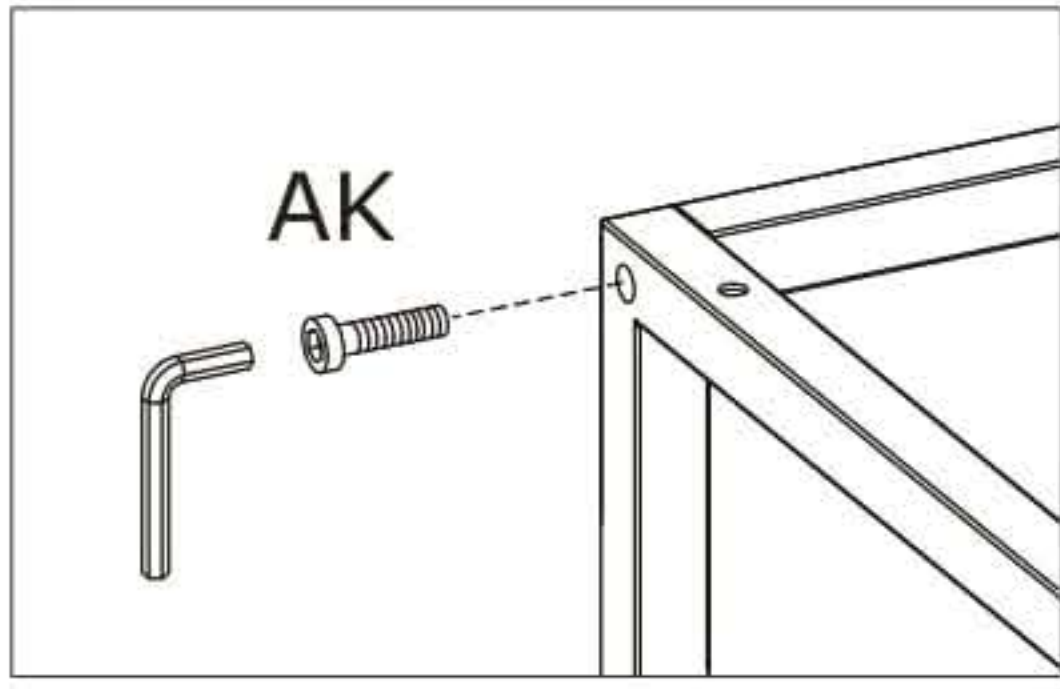
4

B x 6
Ø7x50 mm

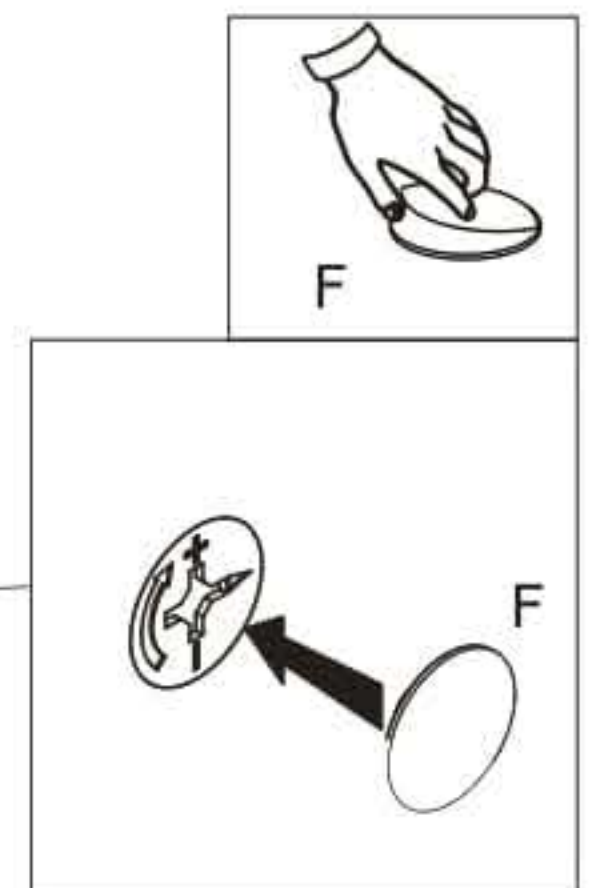
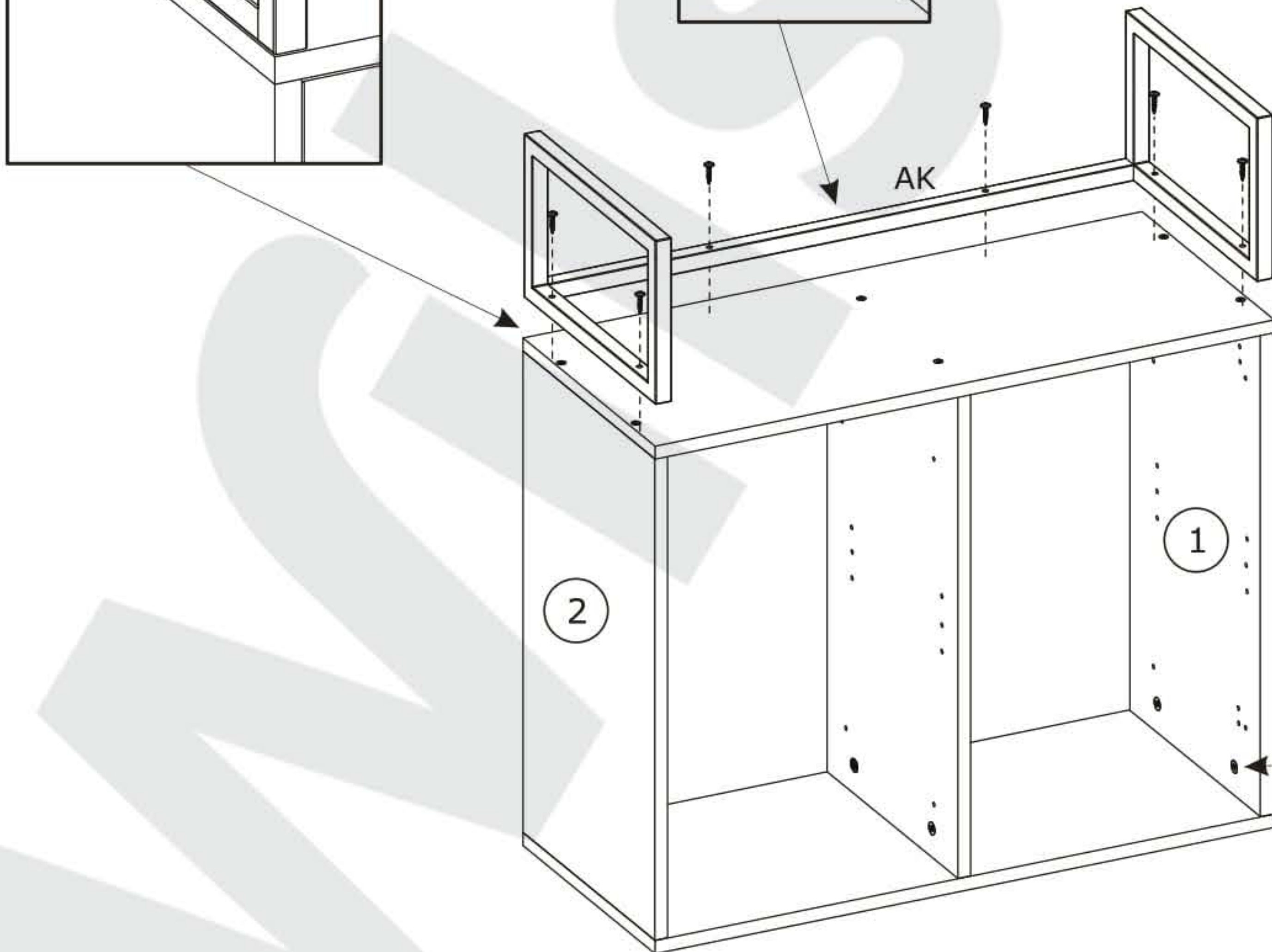
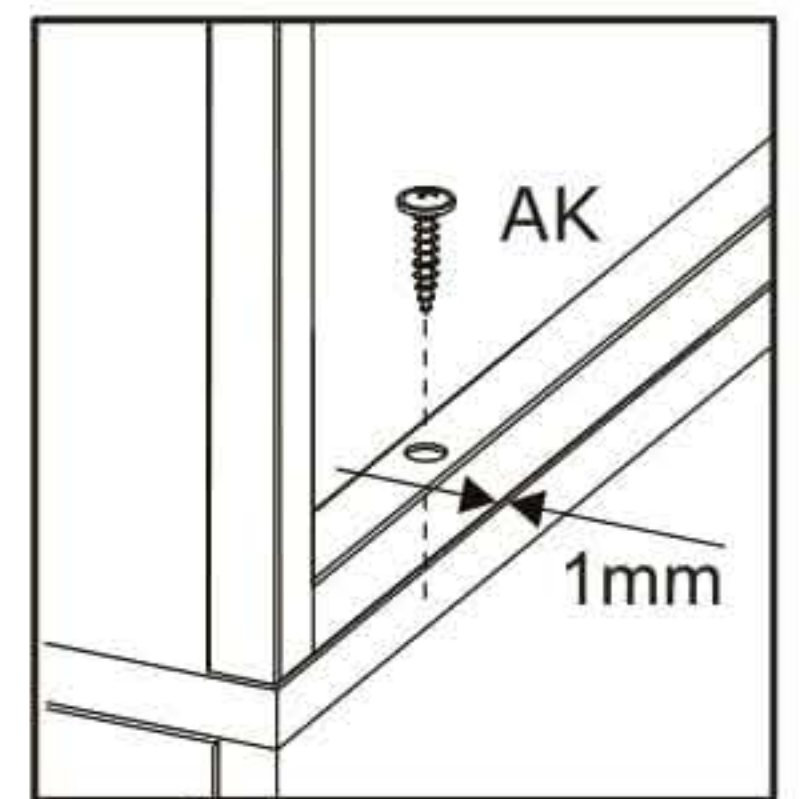
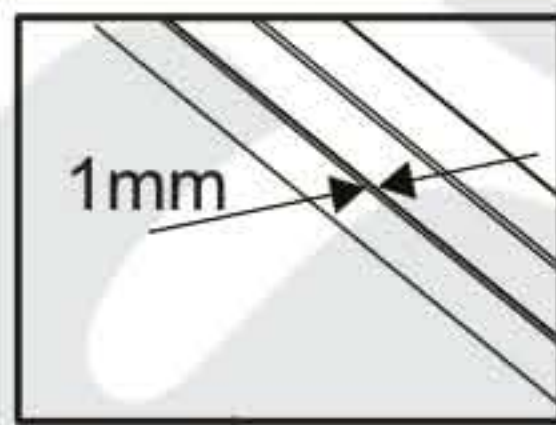
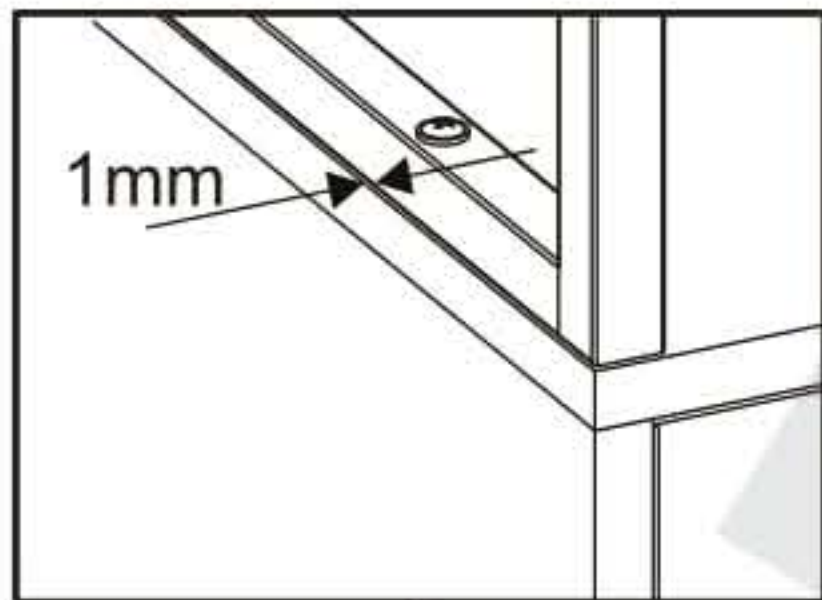
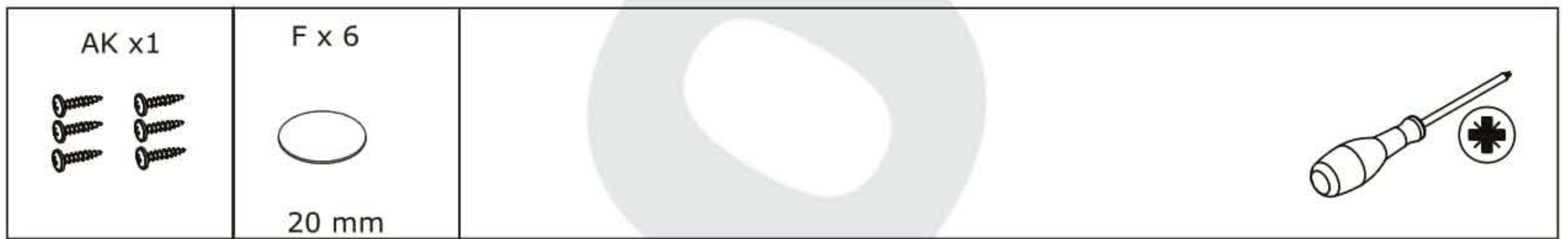
E x 1
4 mm




5

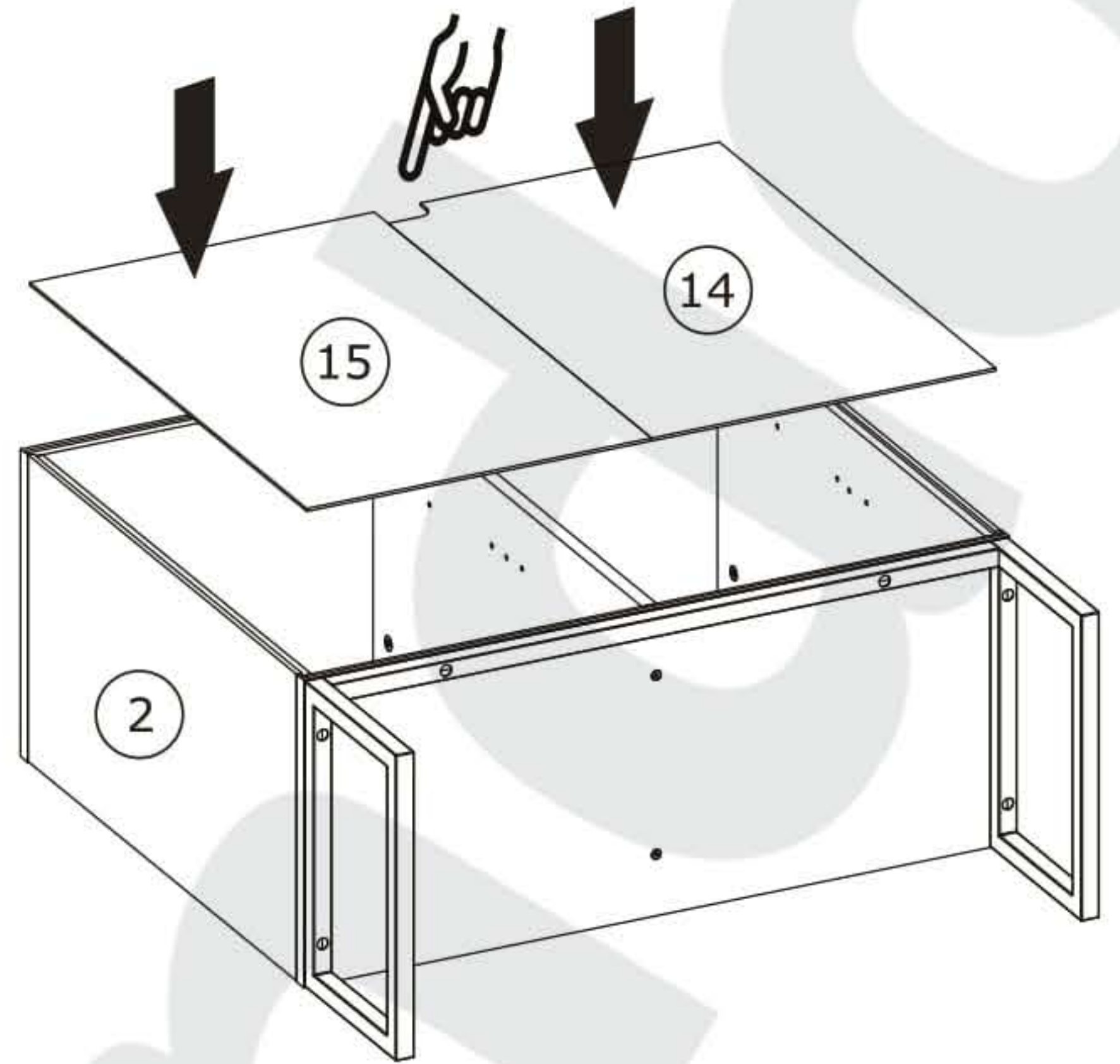
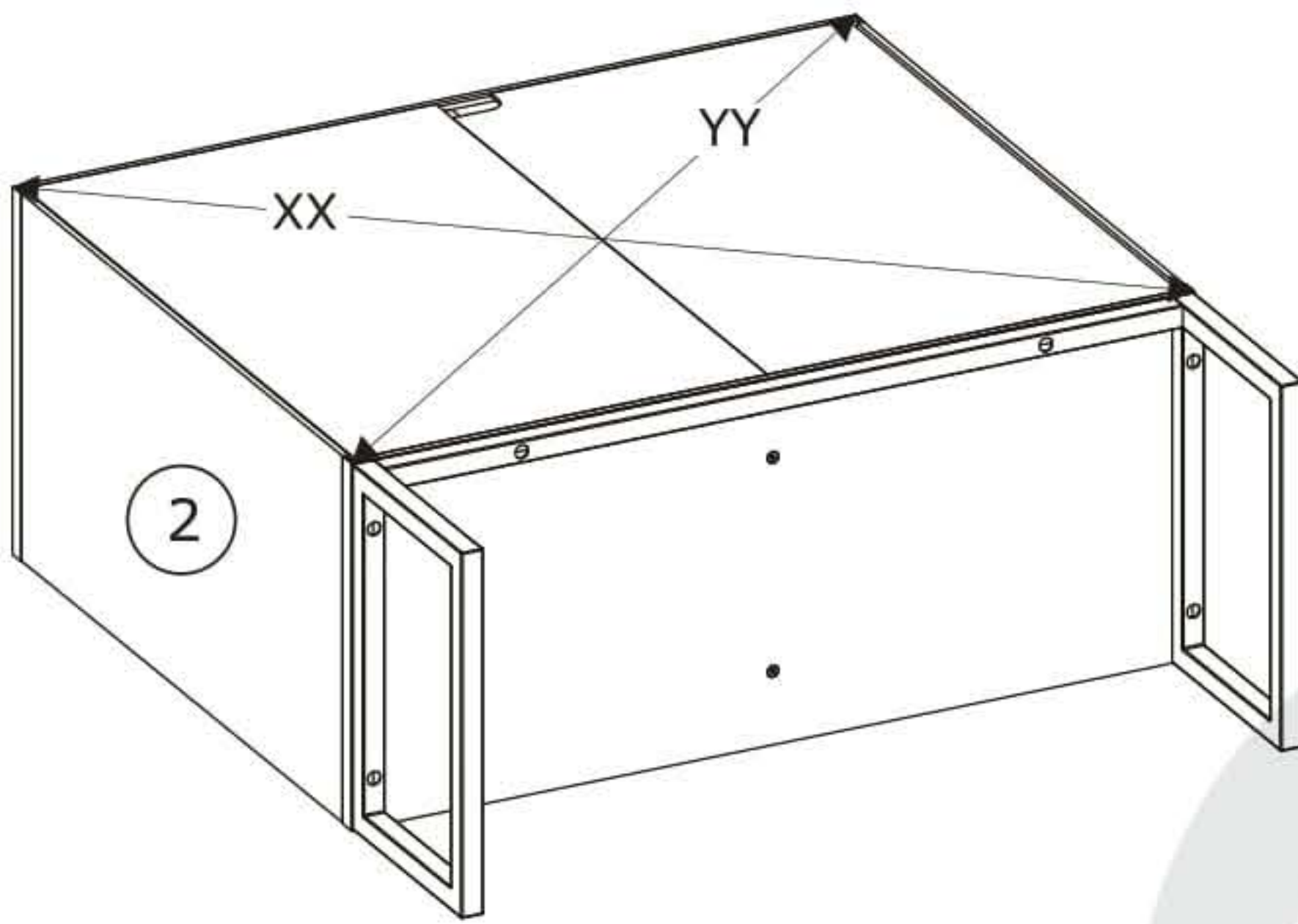


6

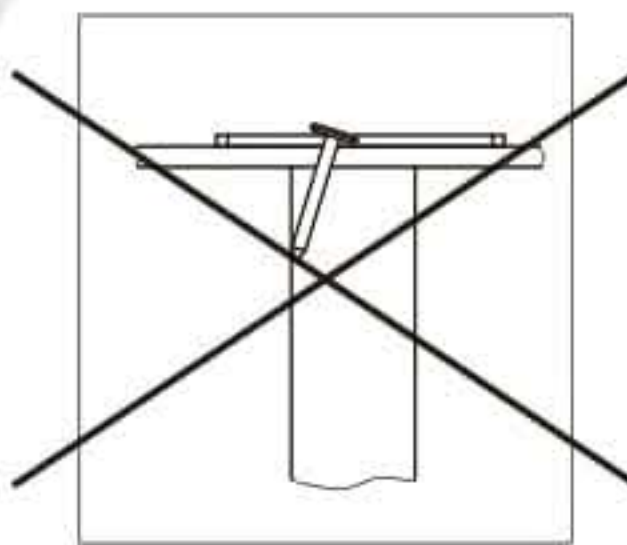
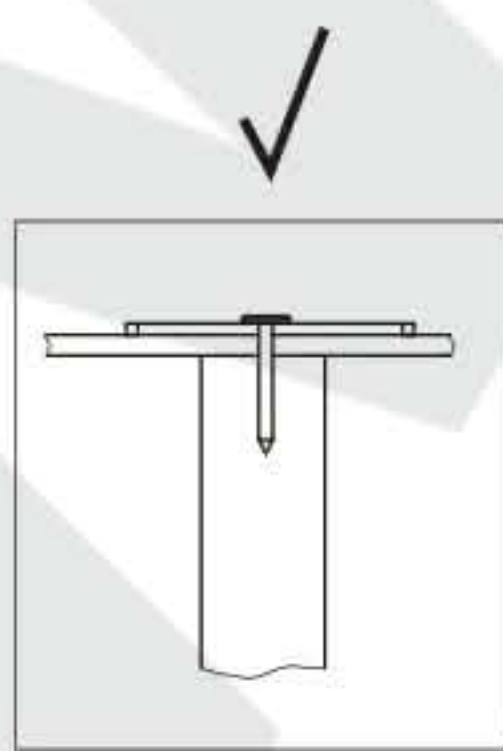
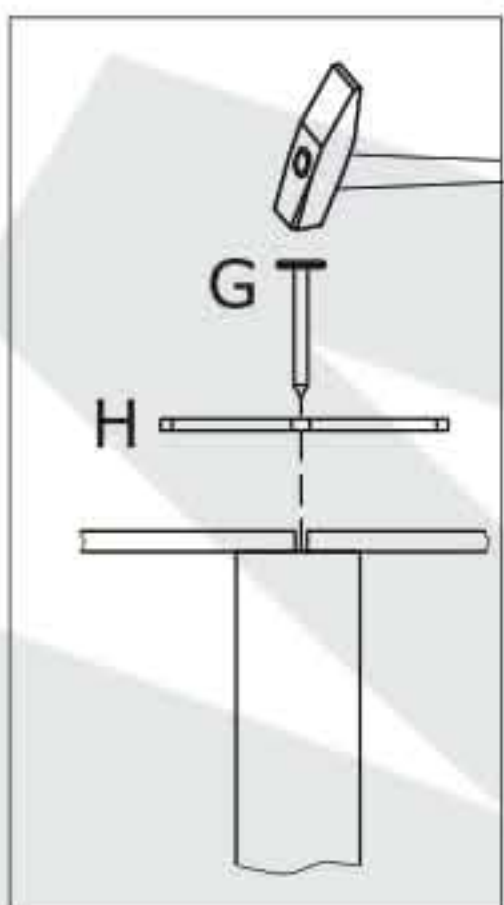
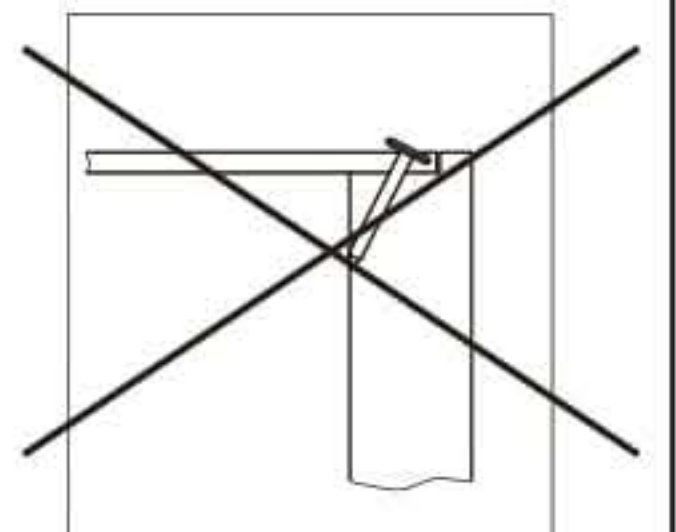
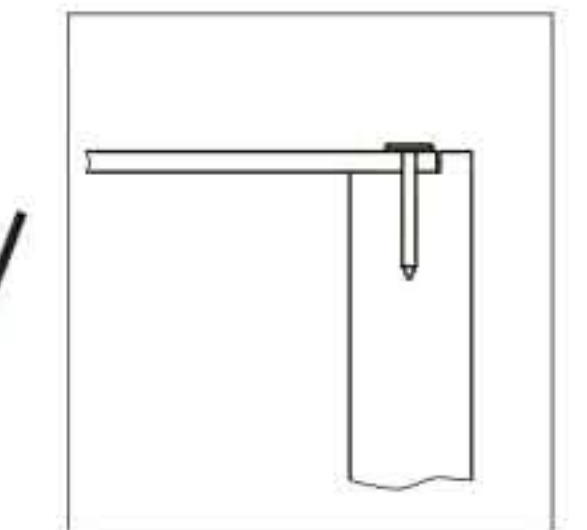
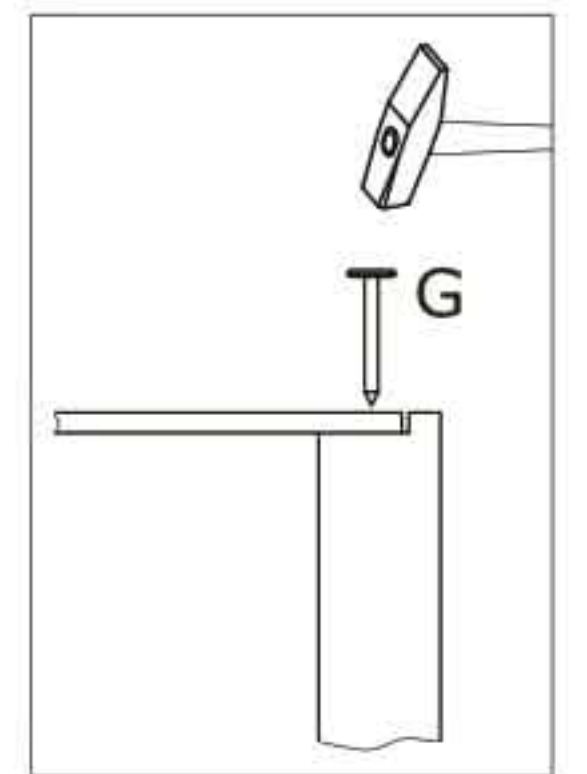
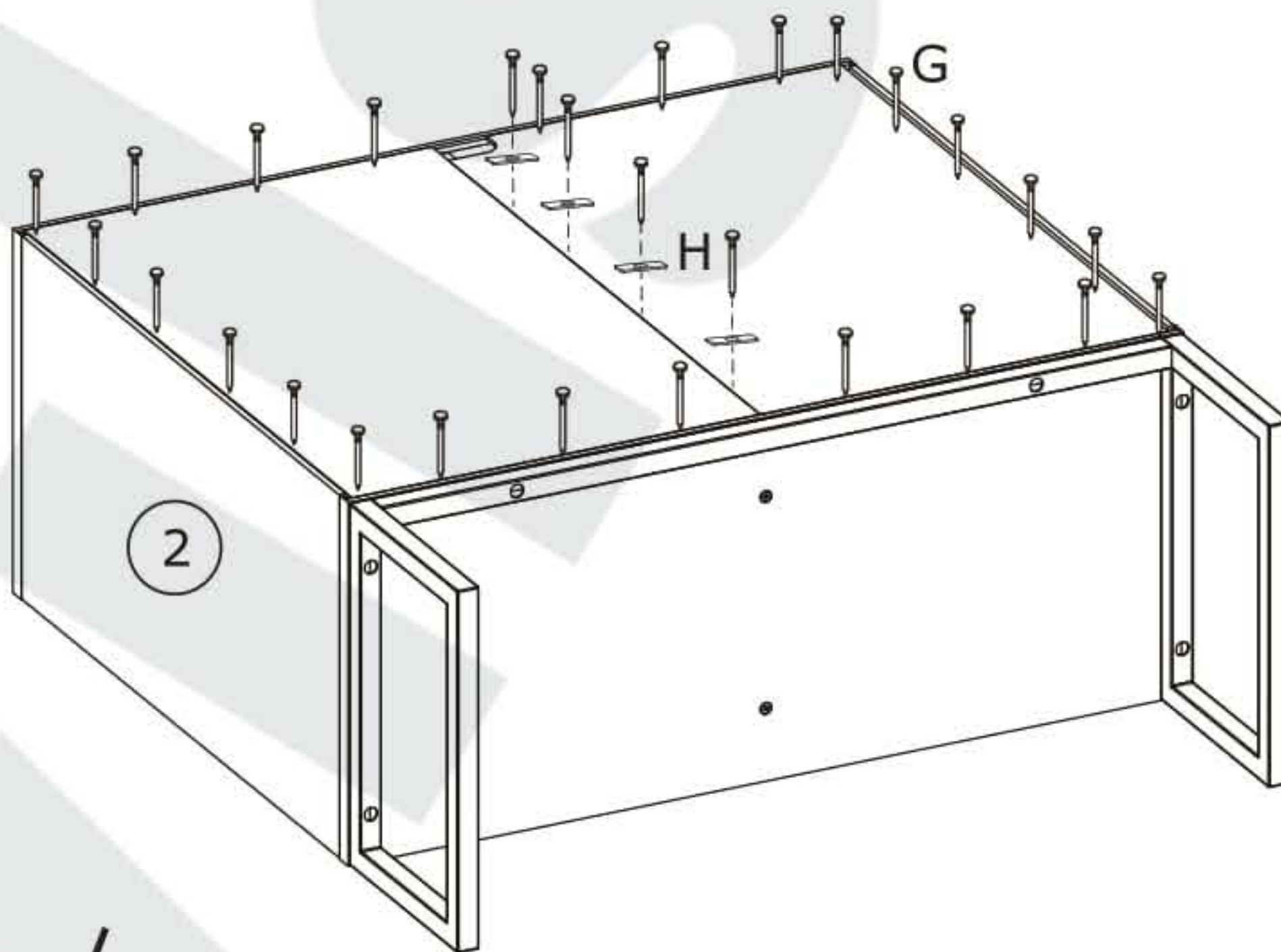


7

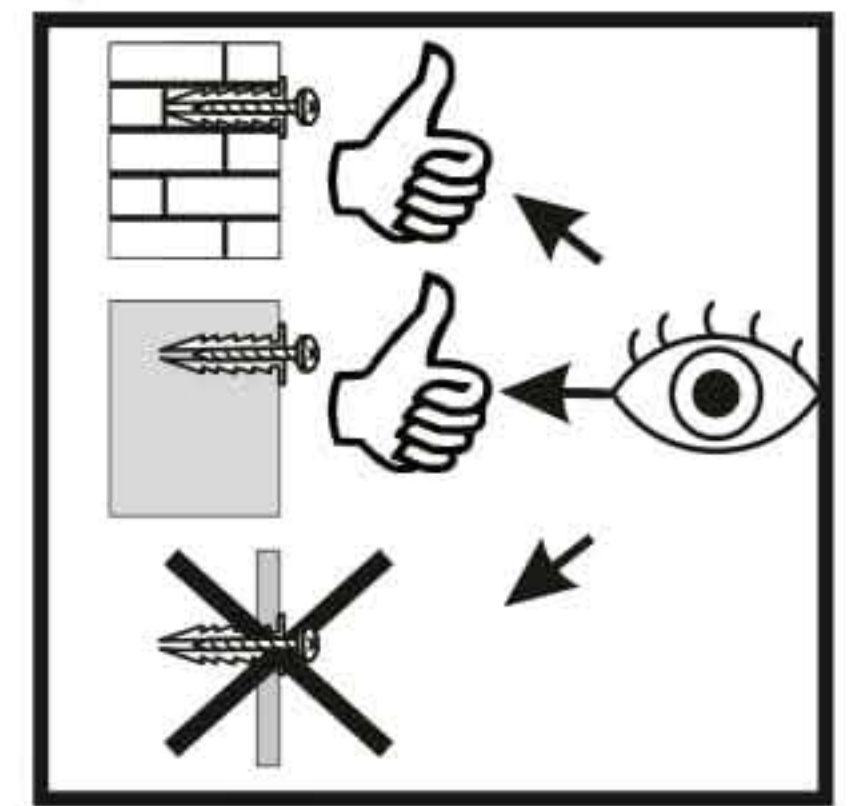
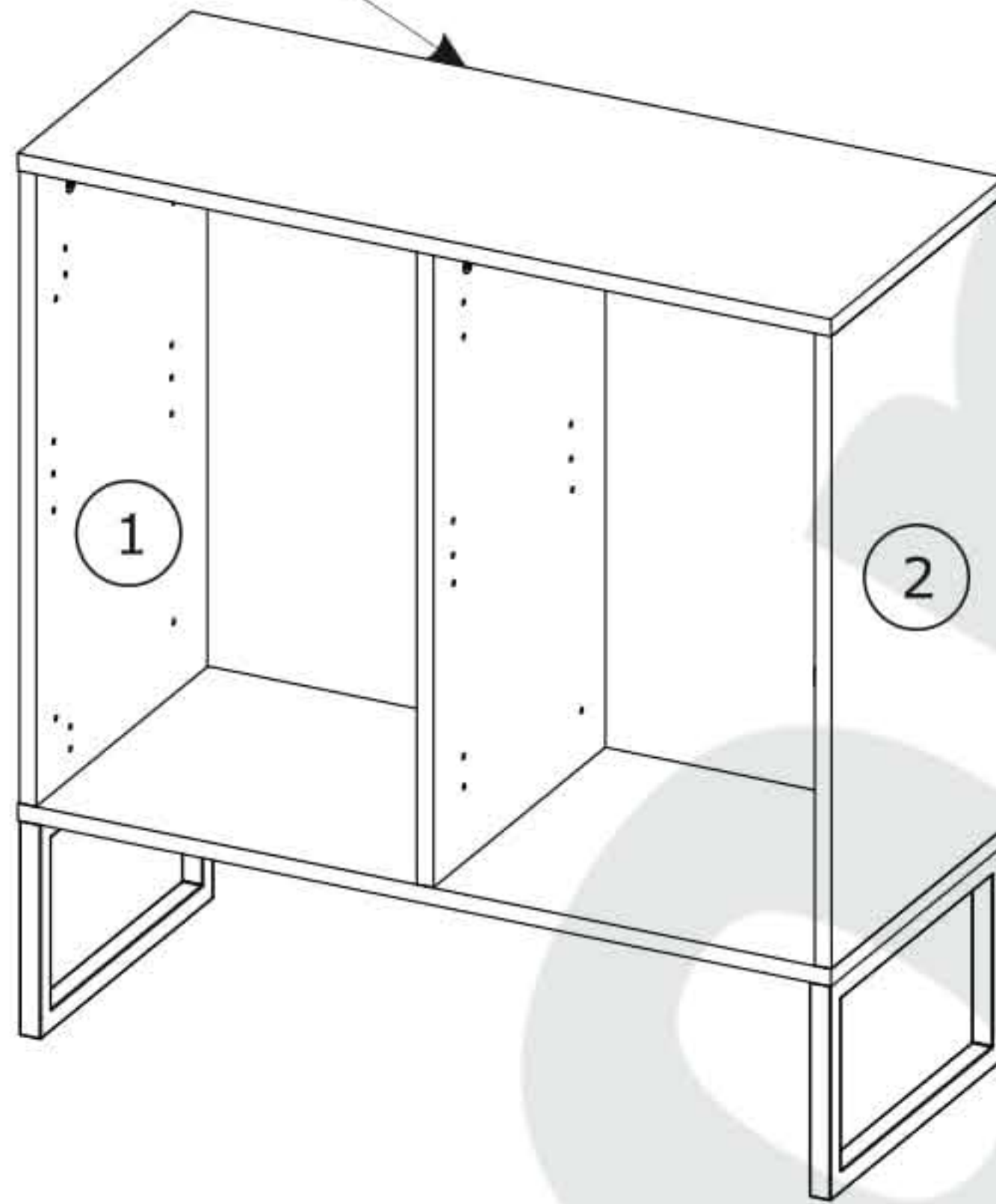
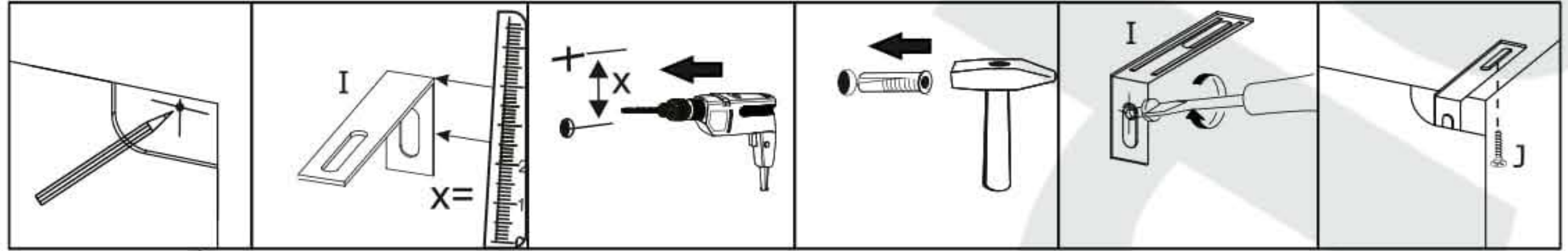
 $XX = YY \equiv 90^\circ$



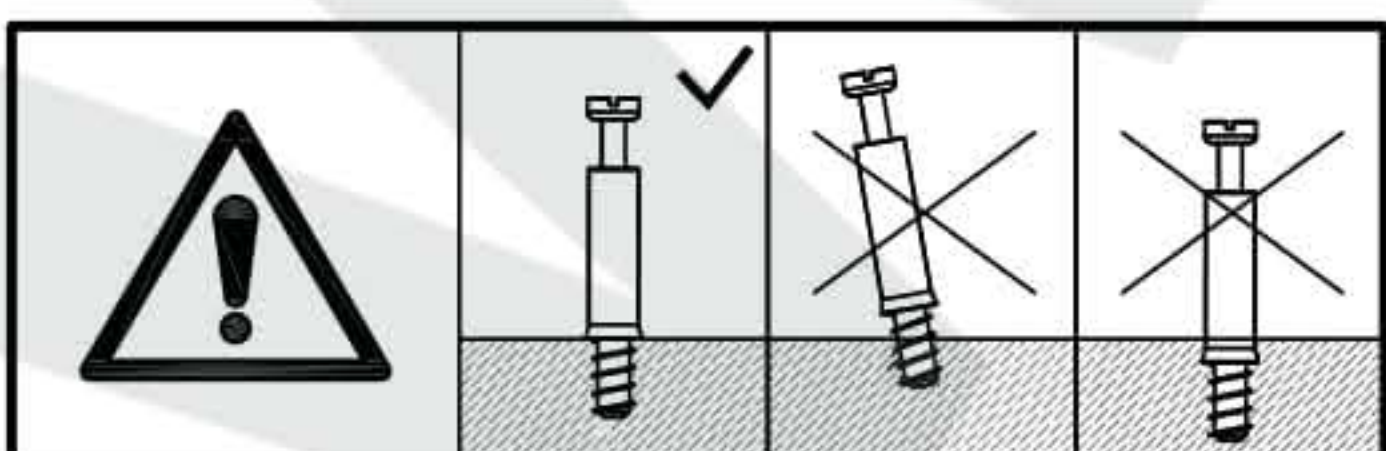
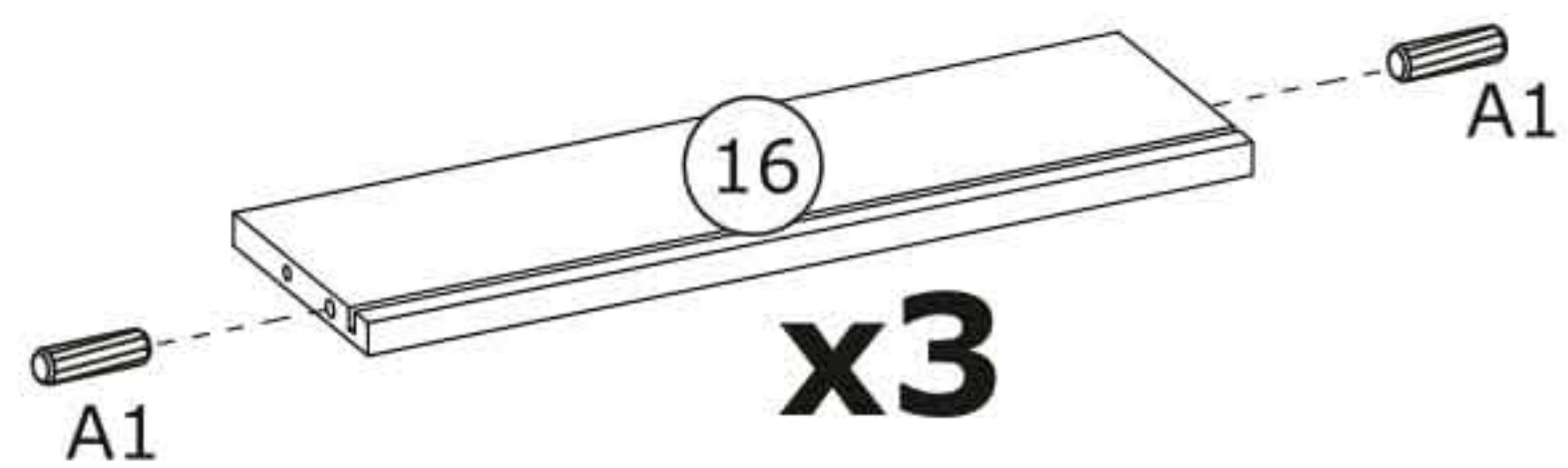
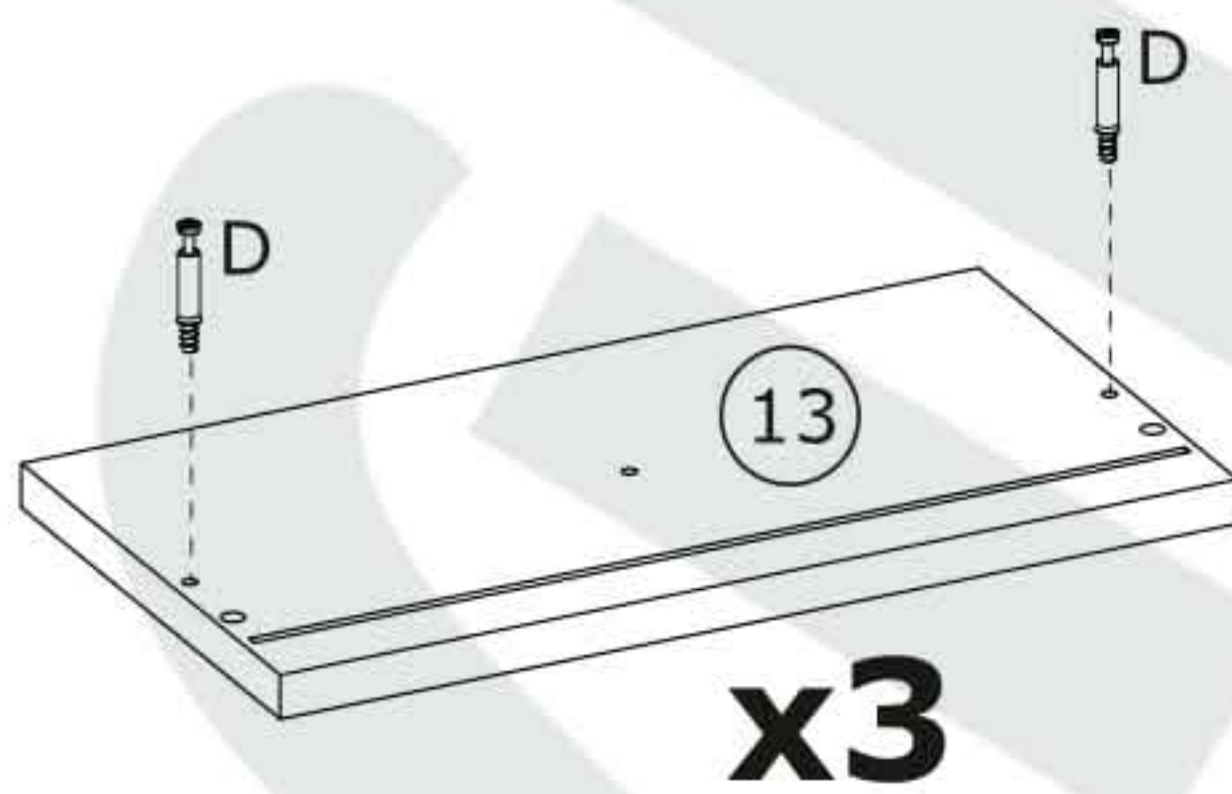
8



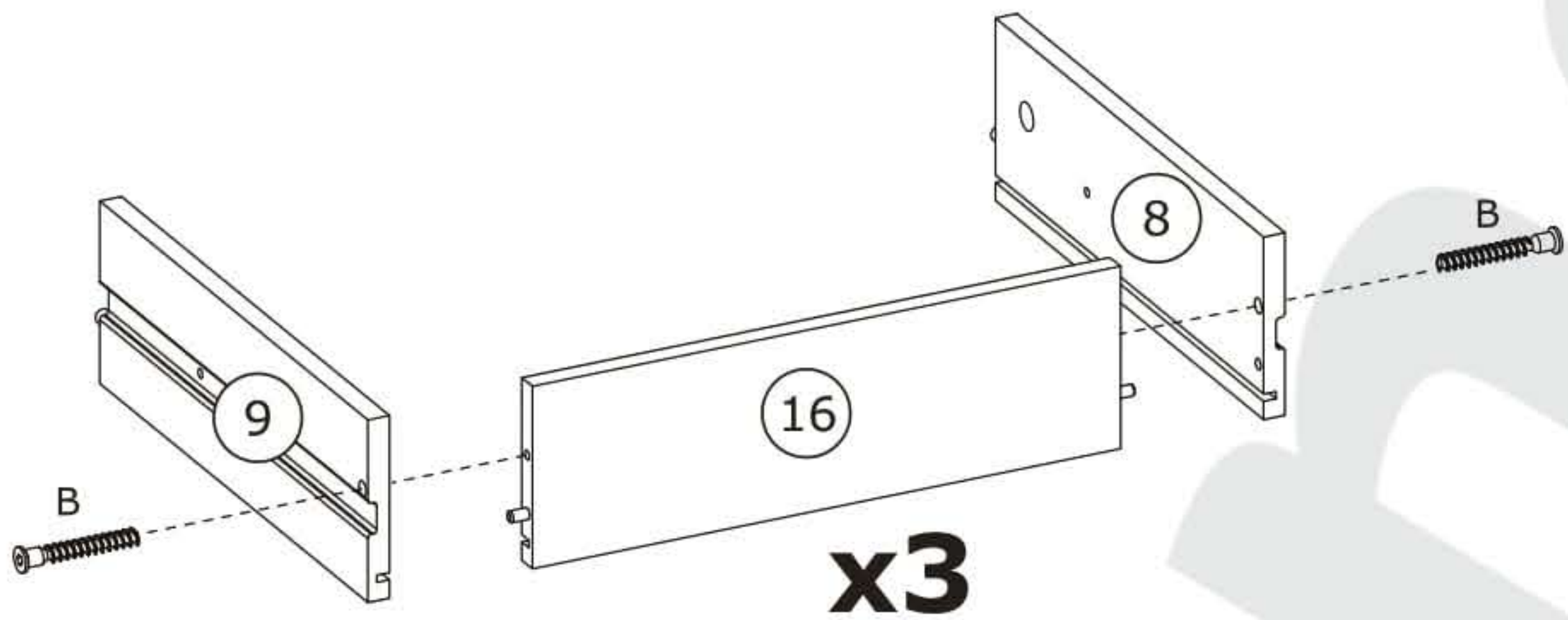
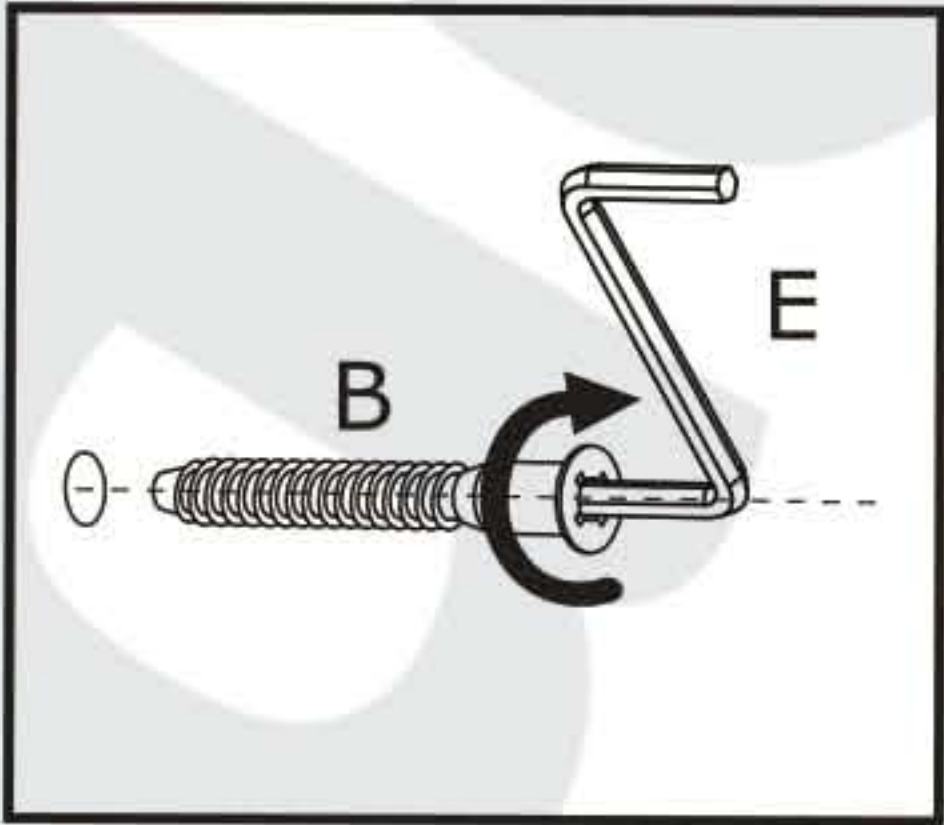
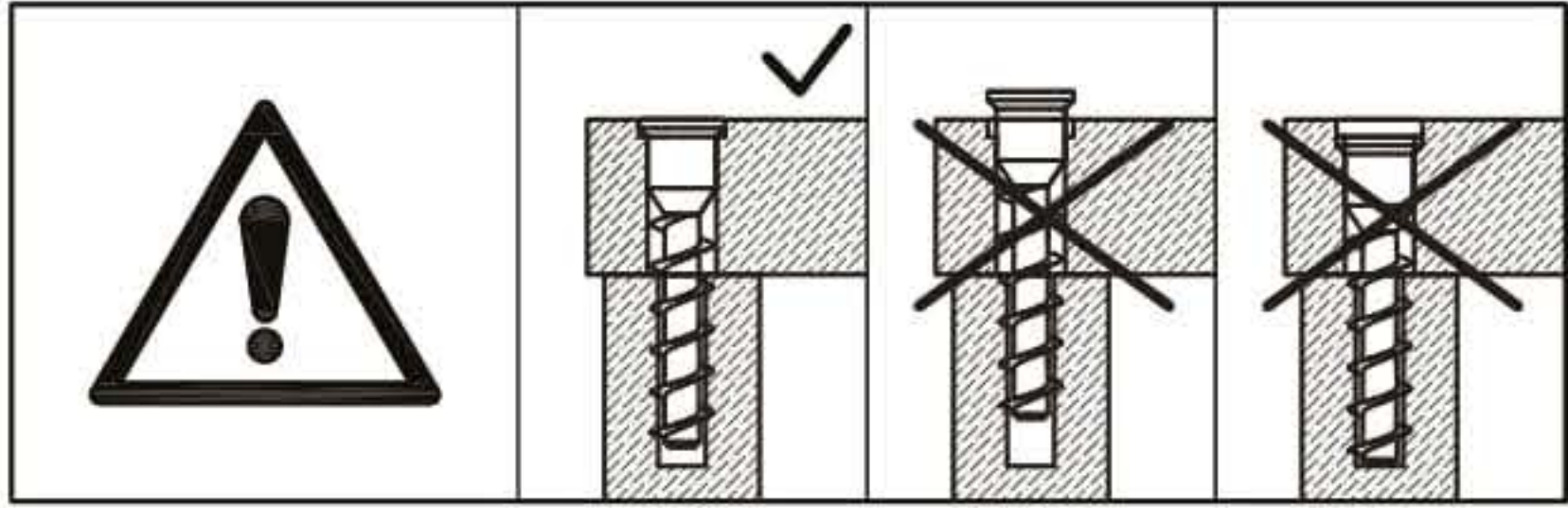
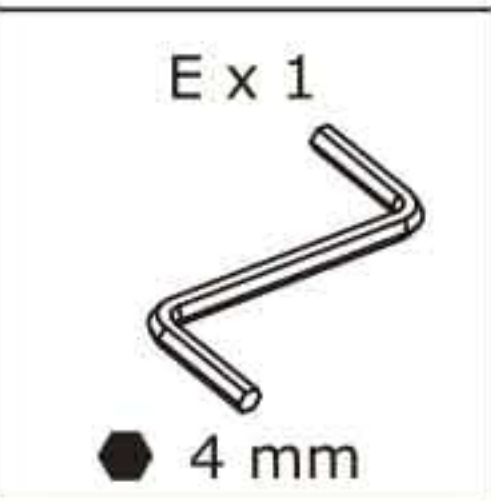
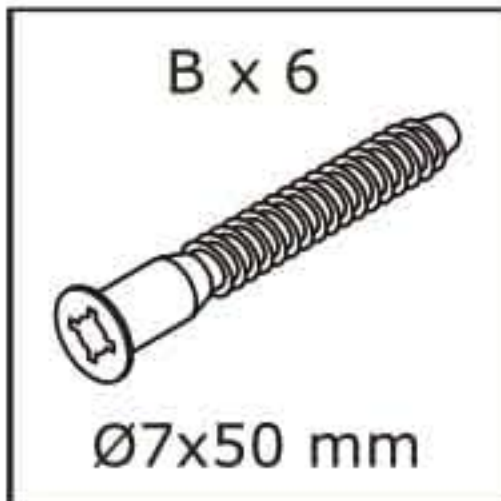
9



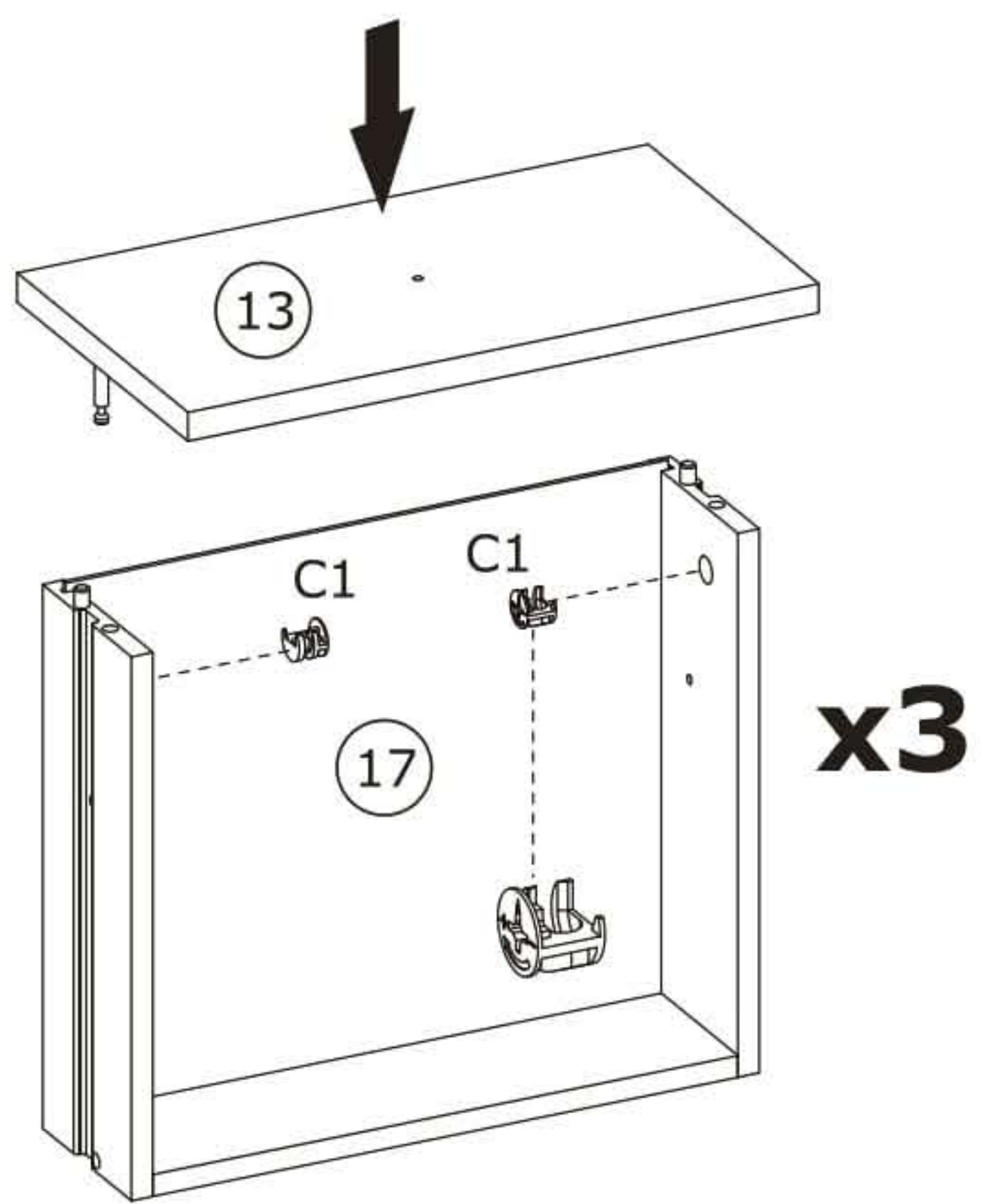
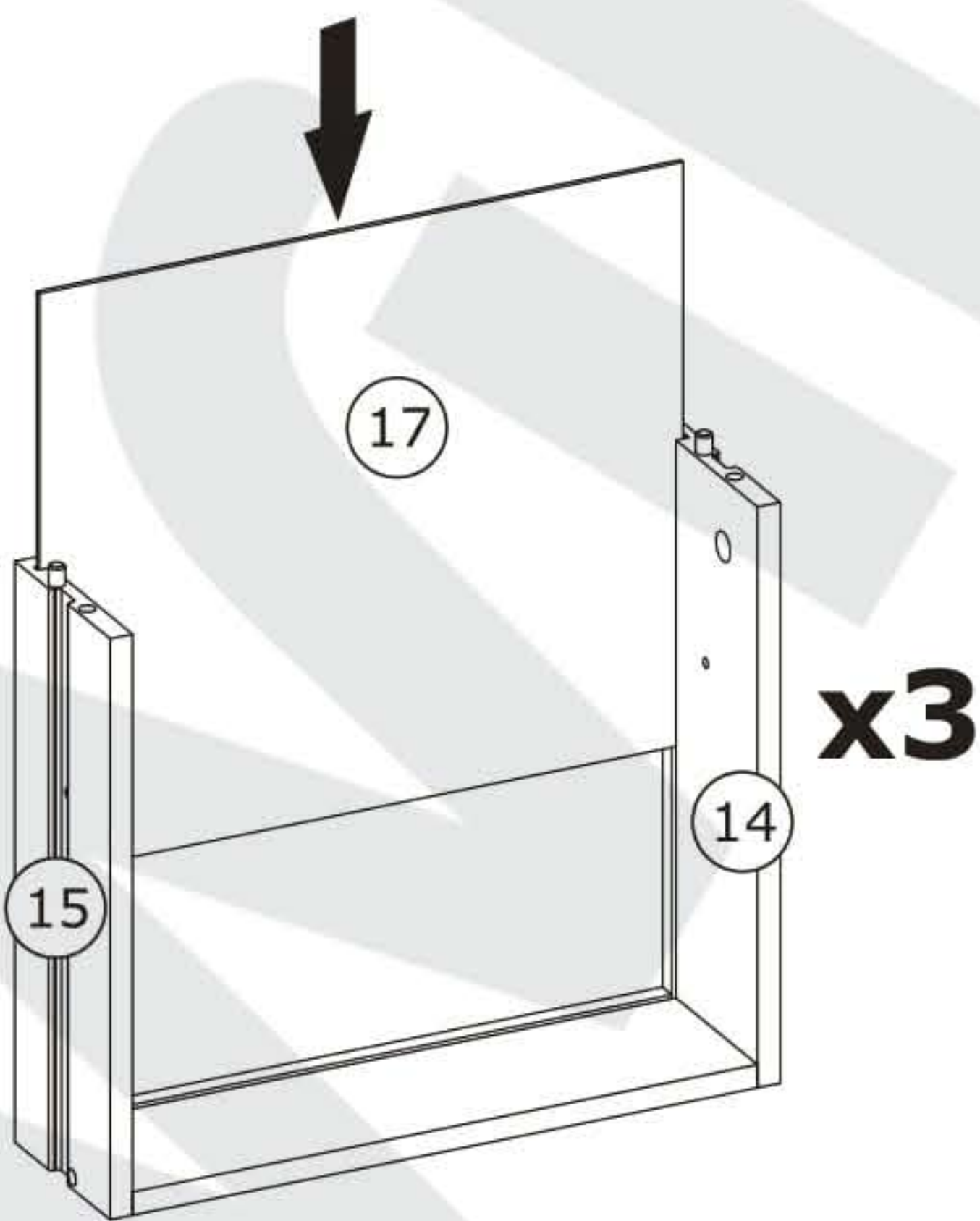
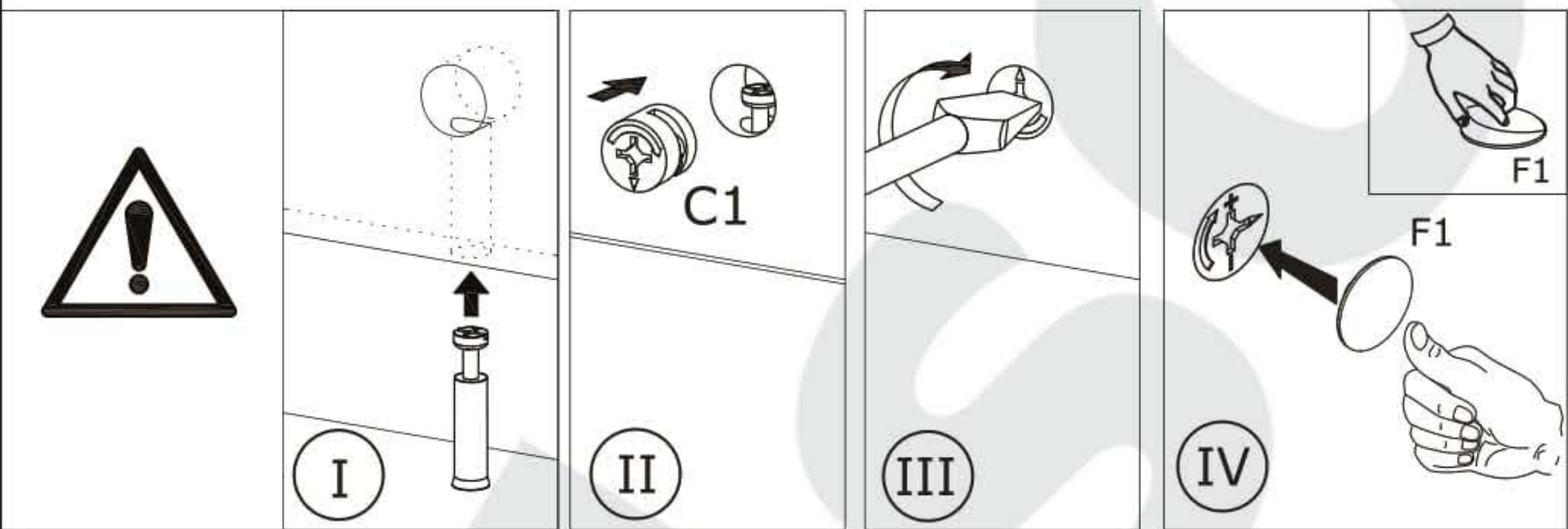
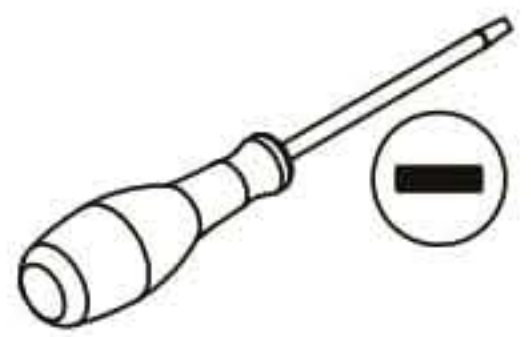
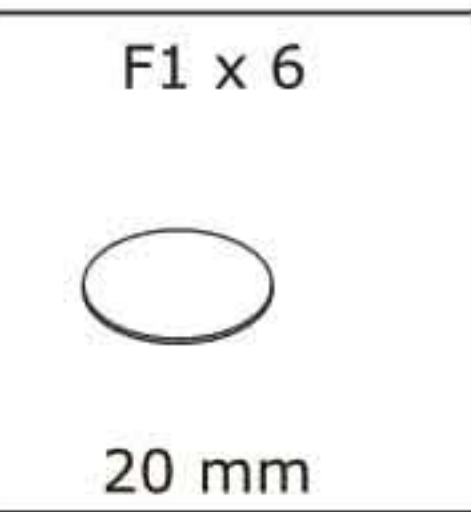
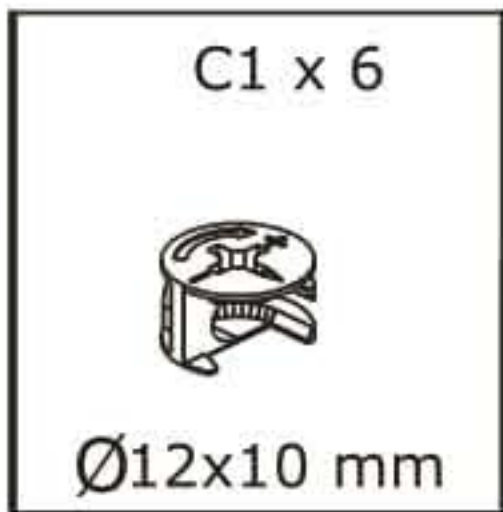
10



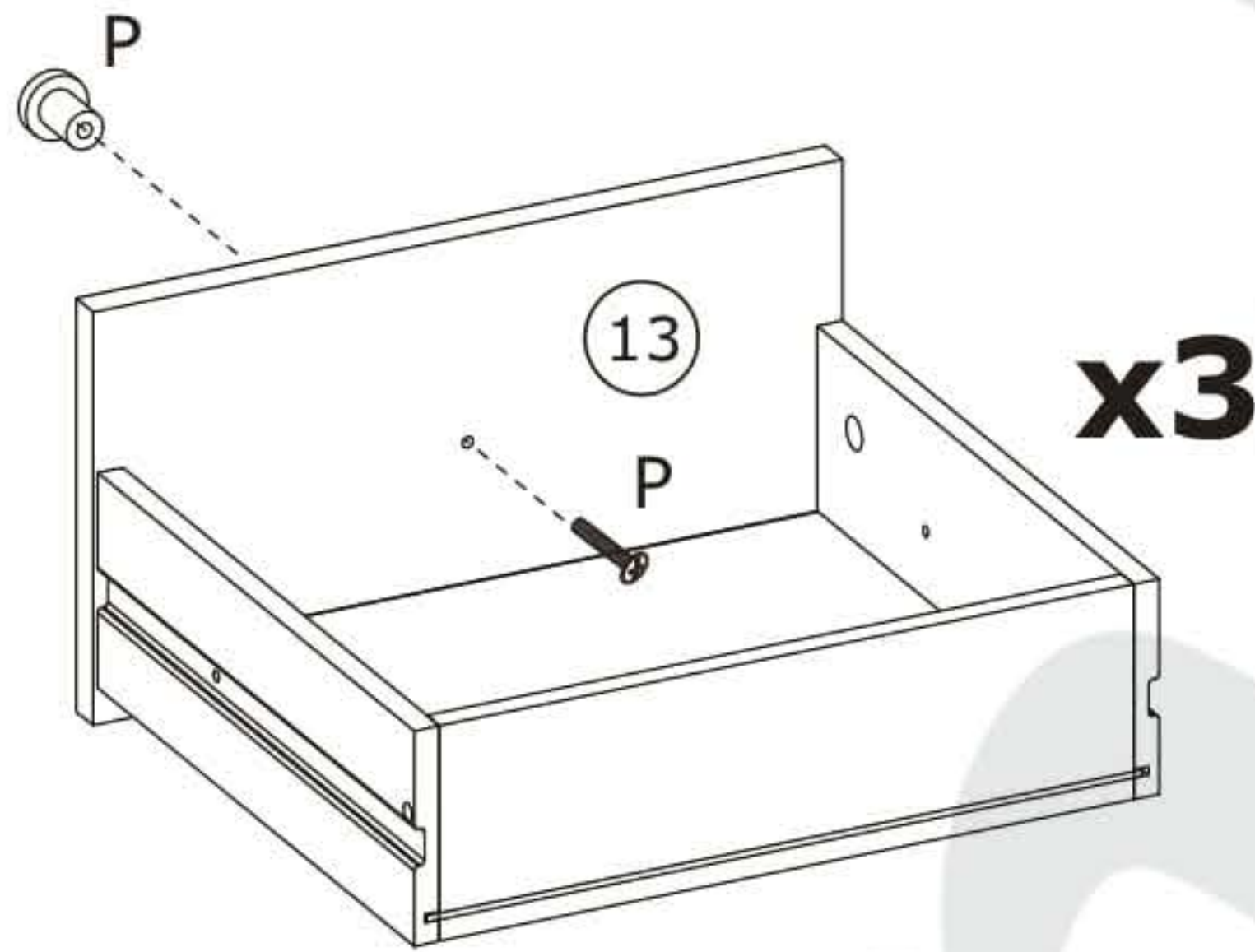
11



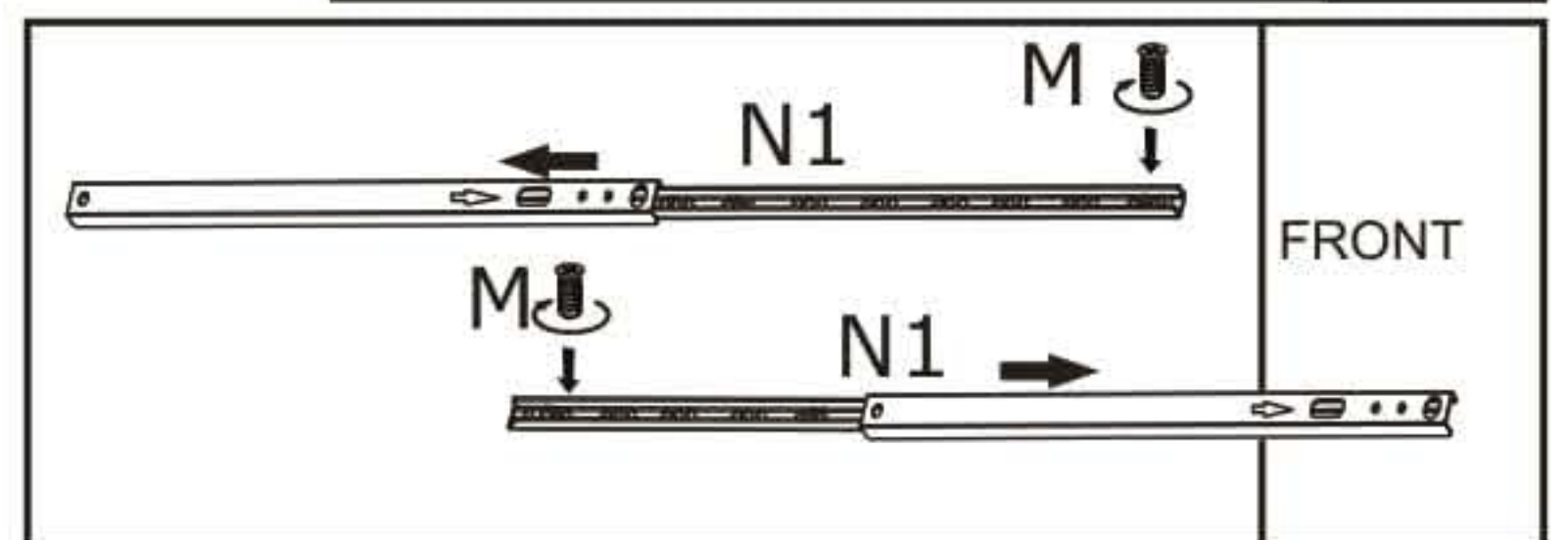
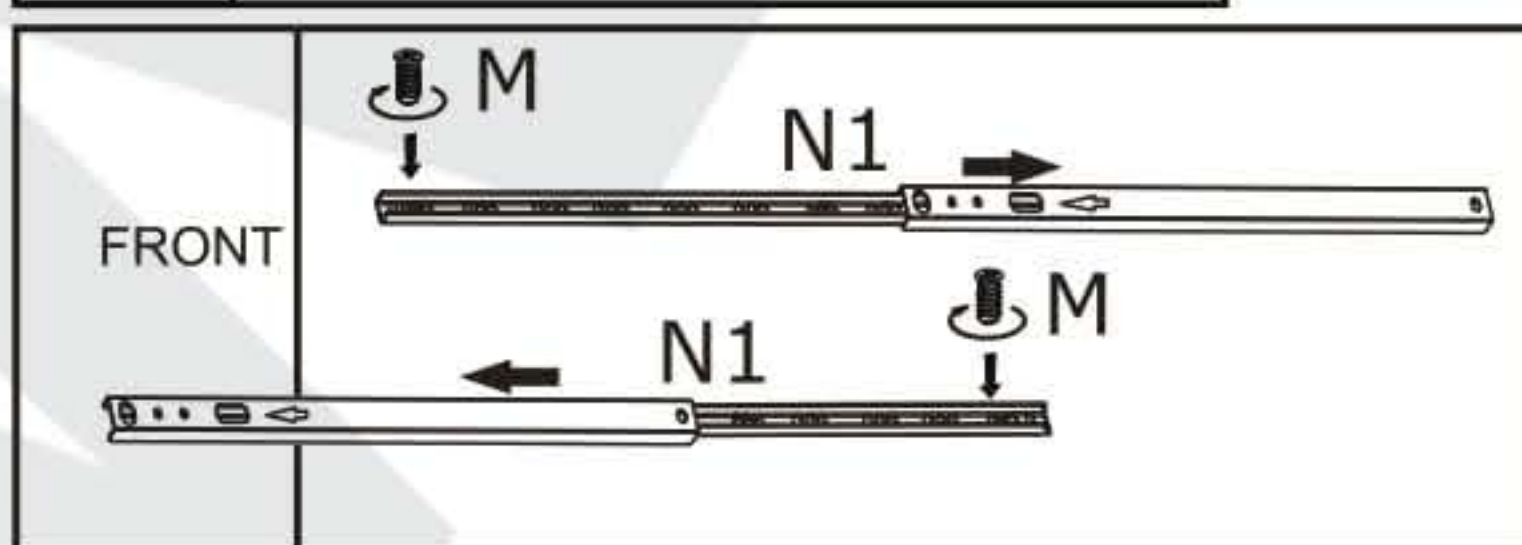
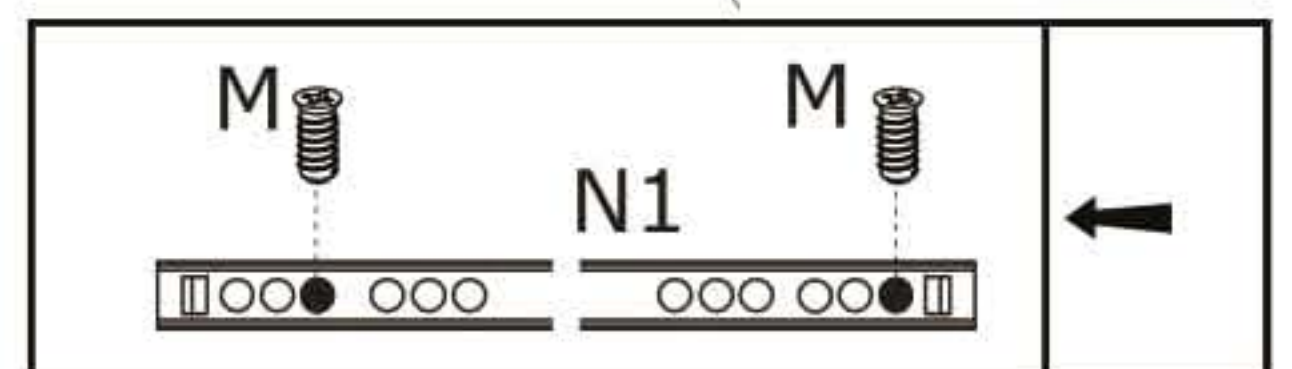
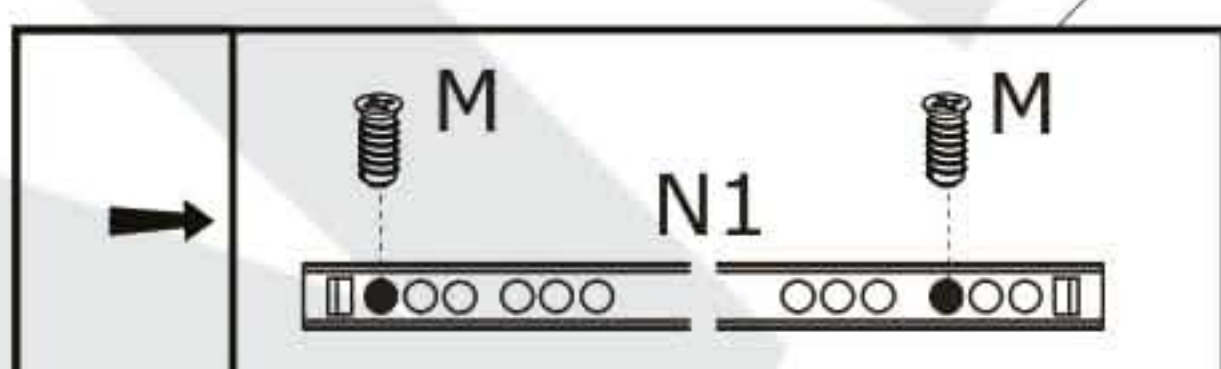
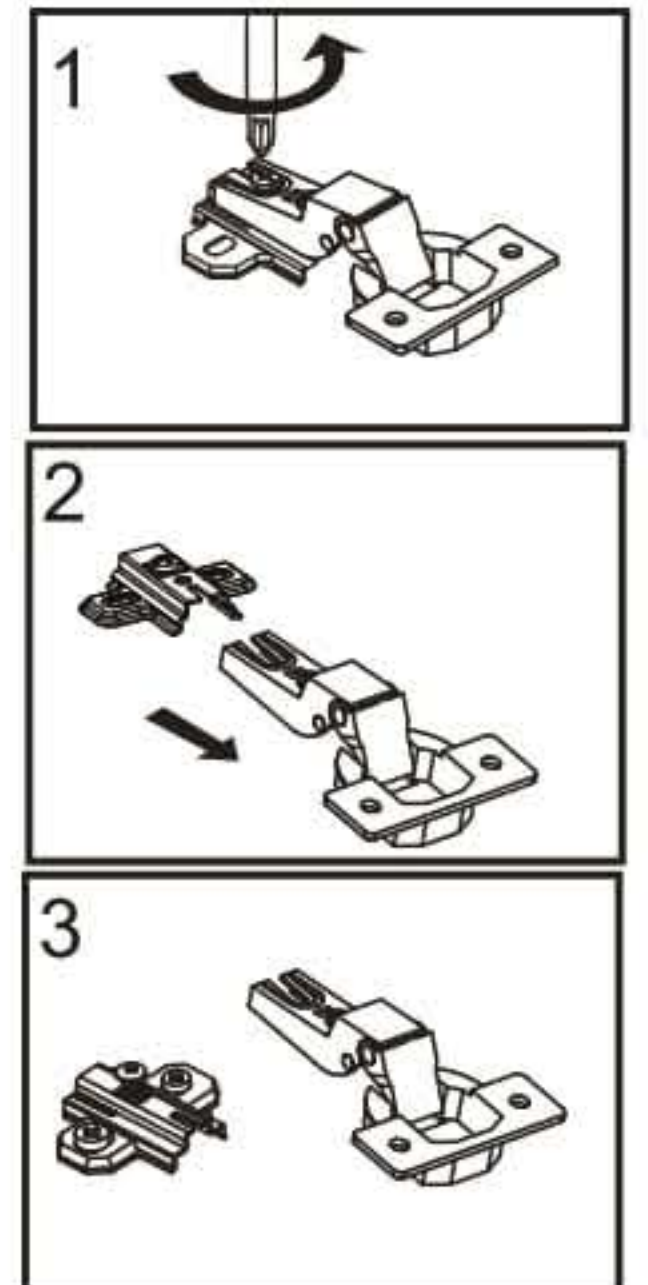
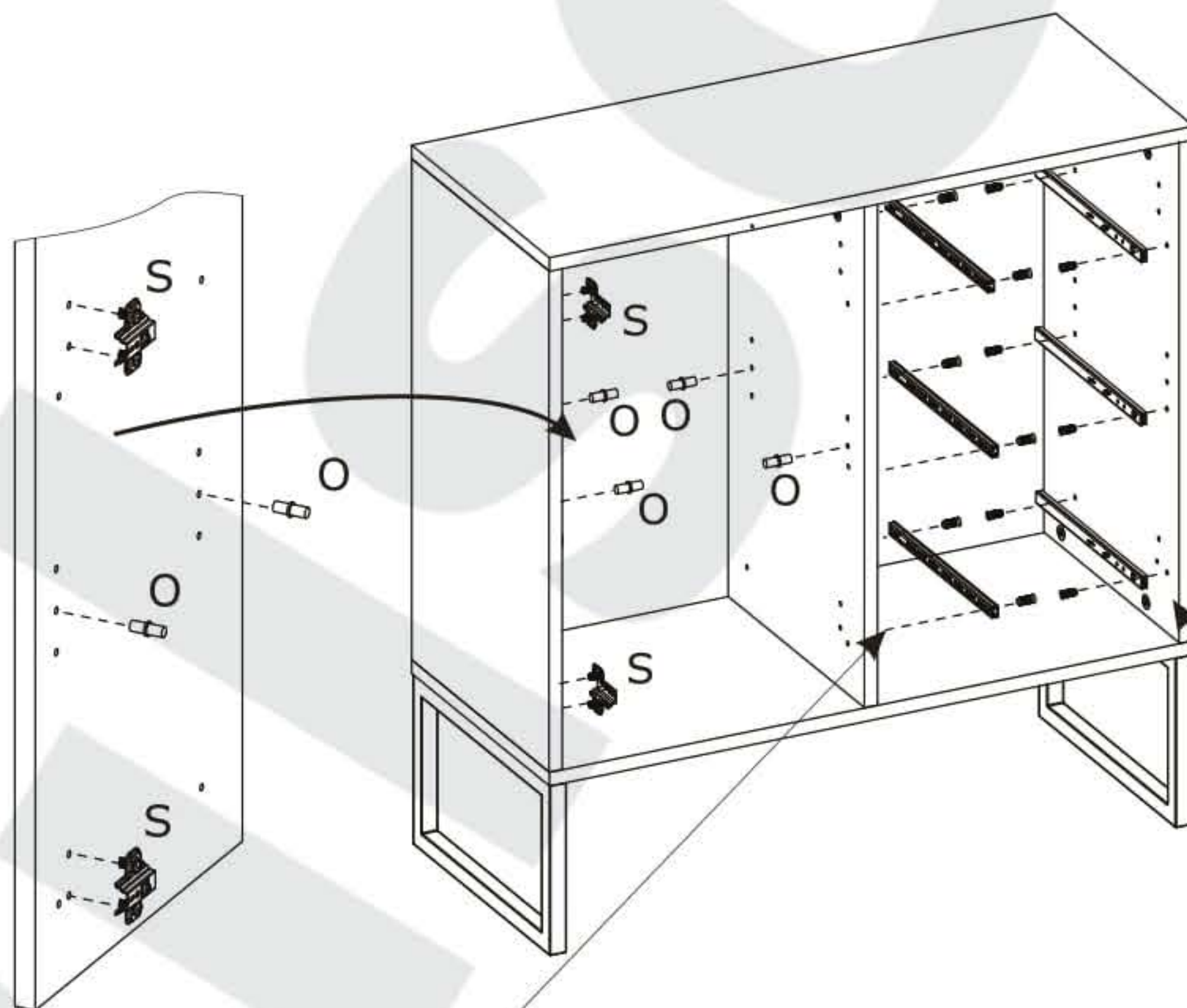
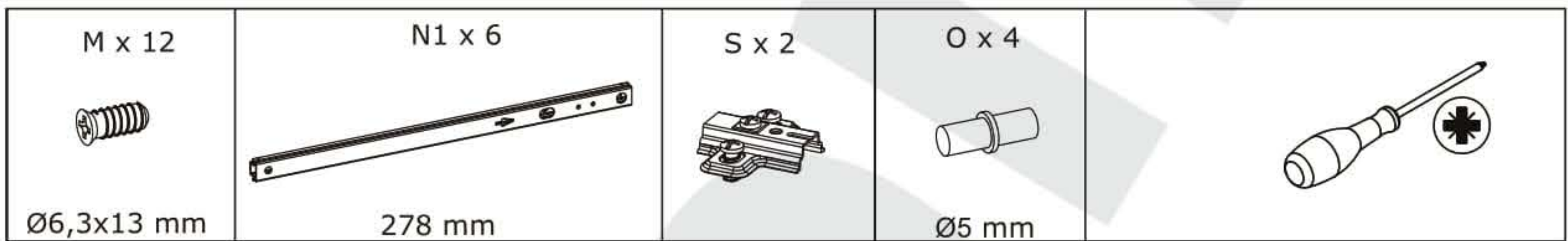
12



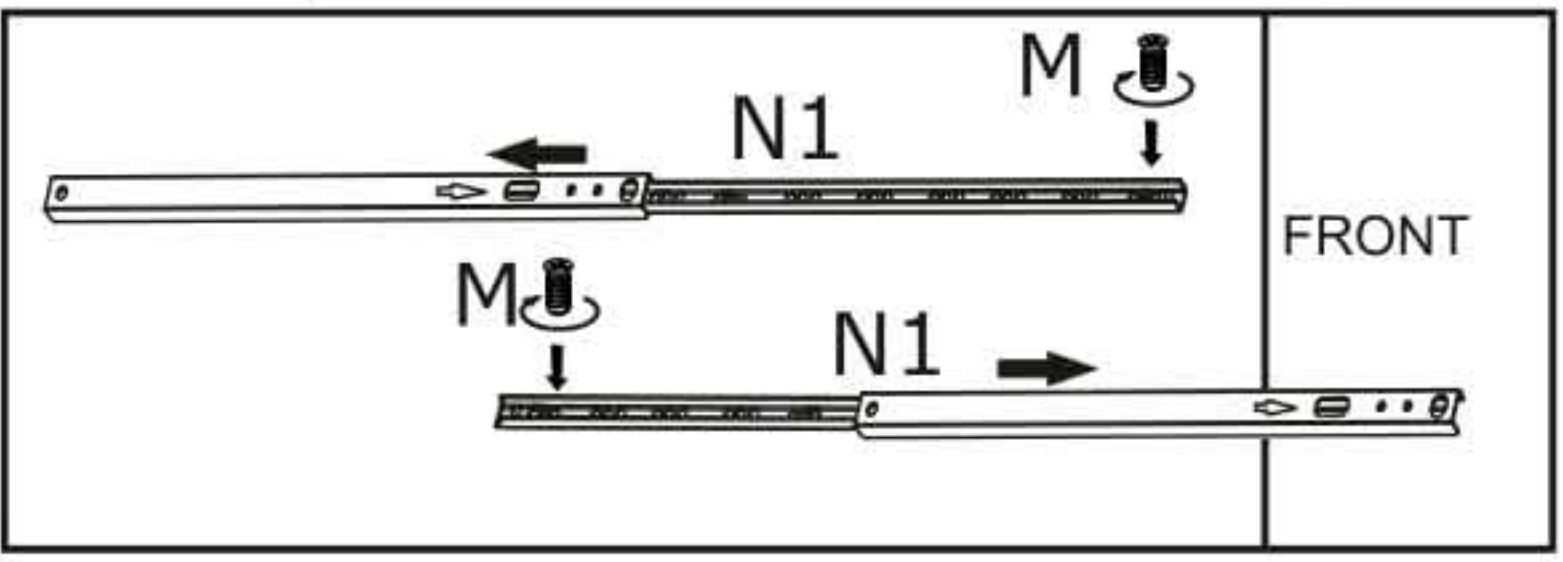
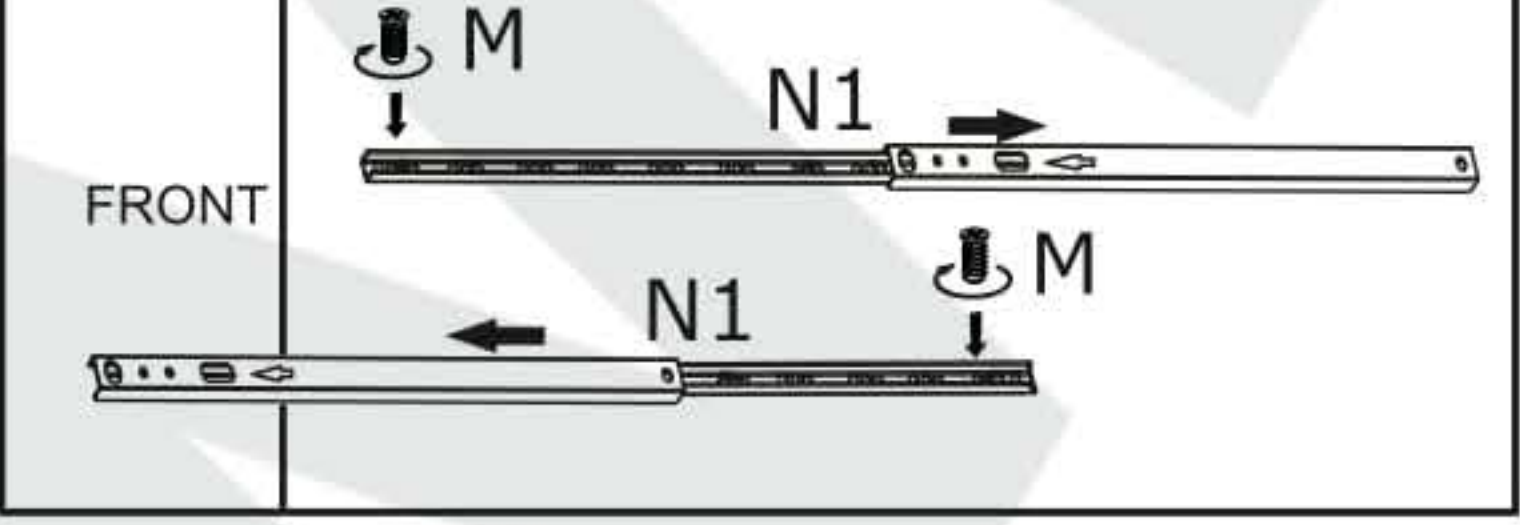
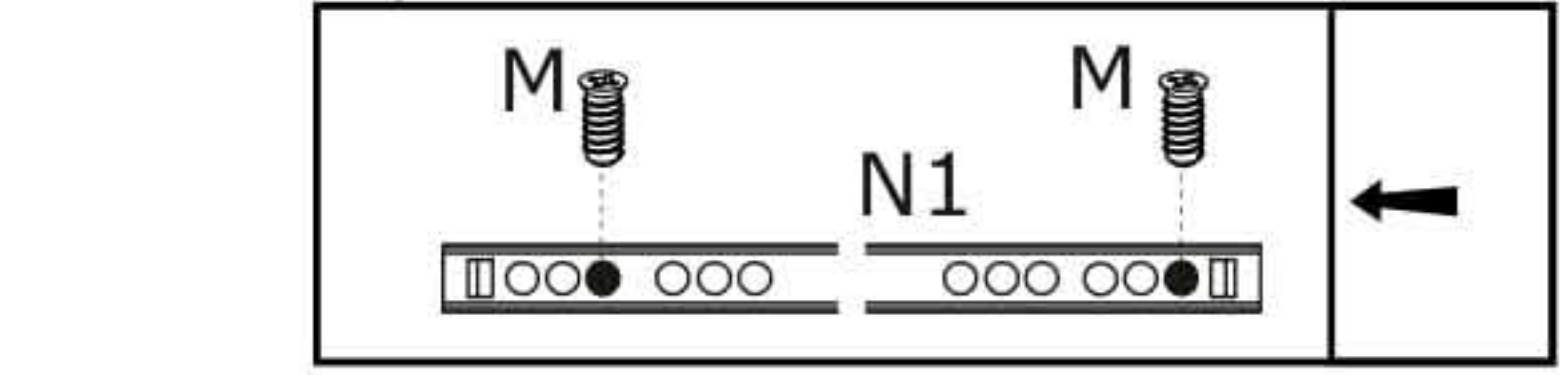
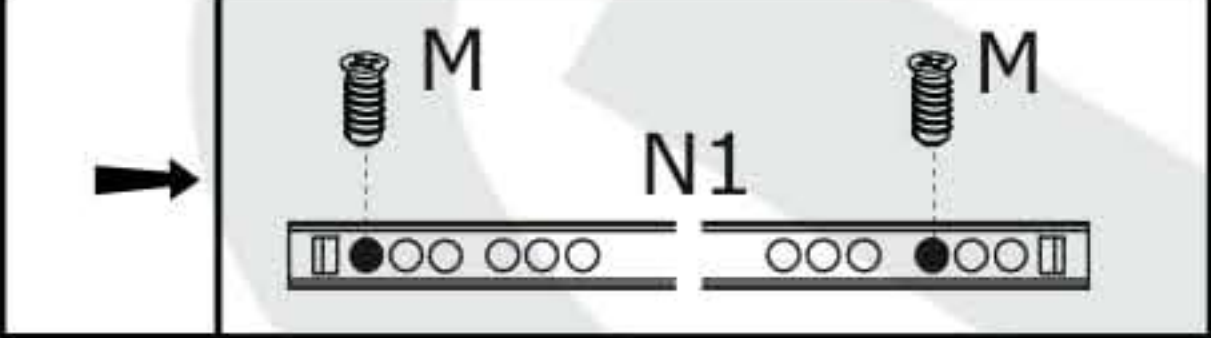
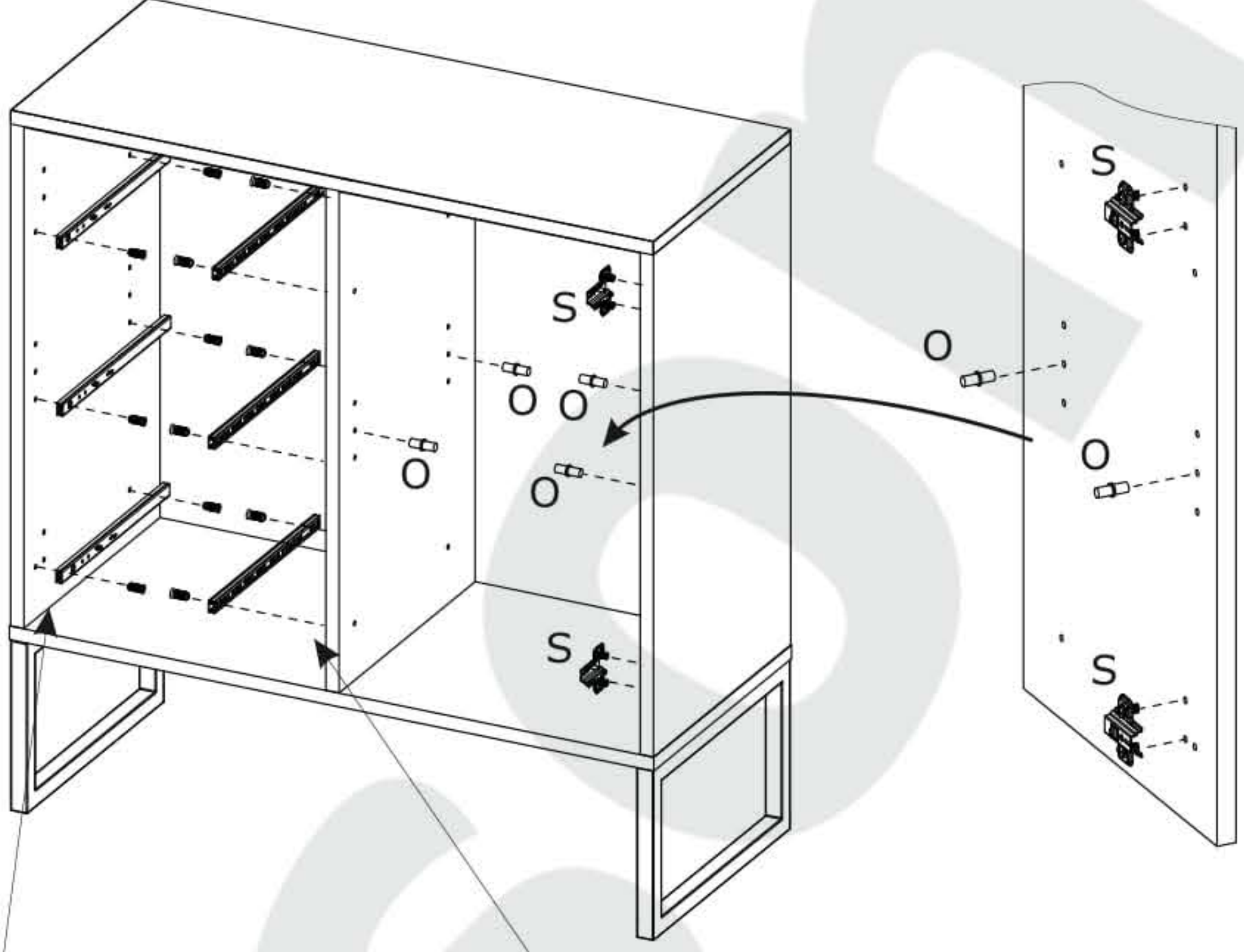
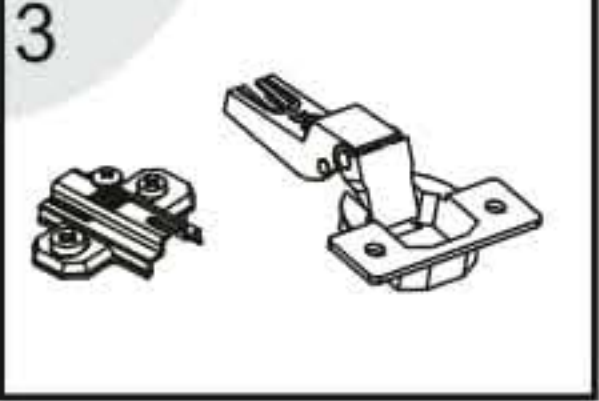
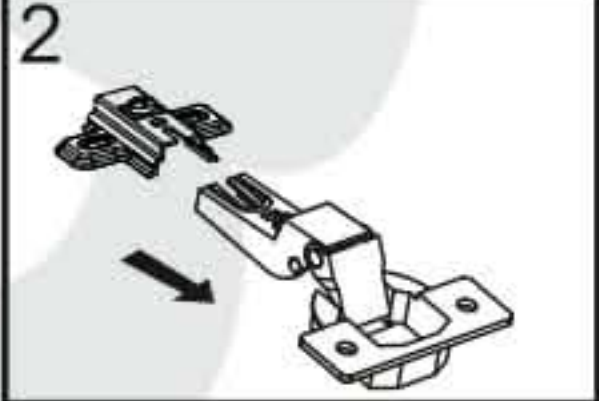
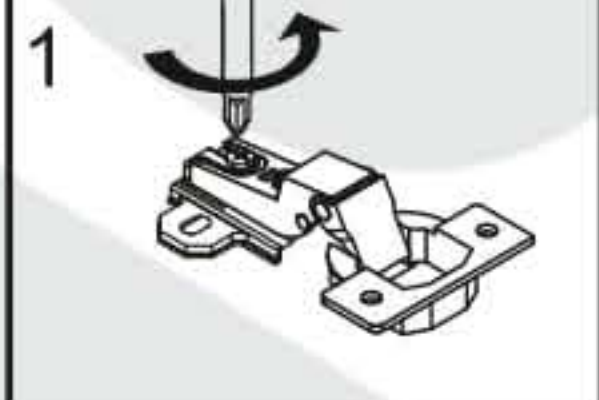
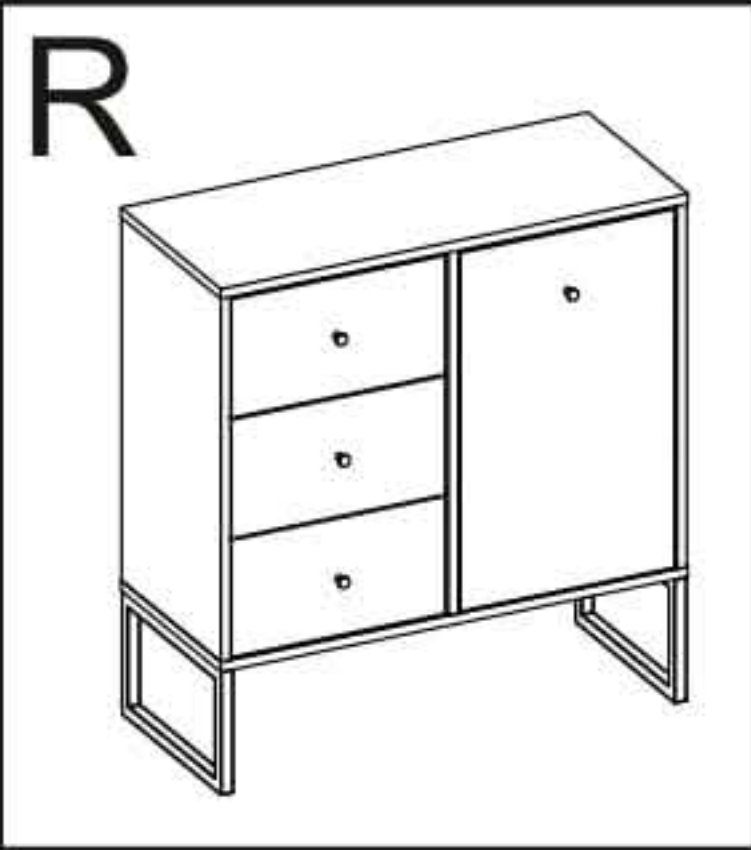
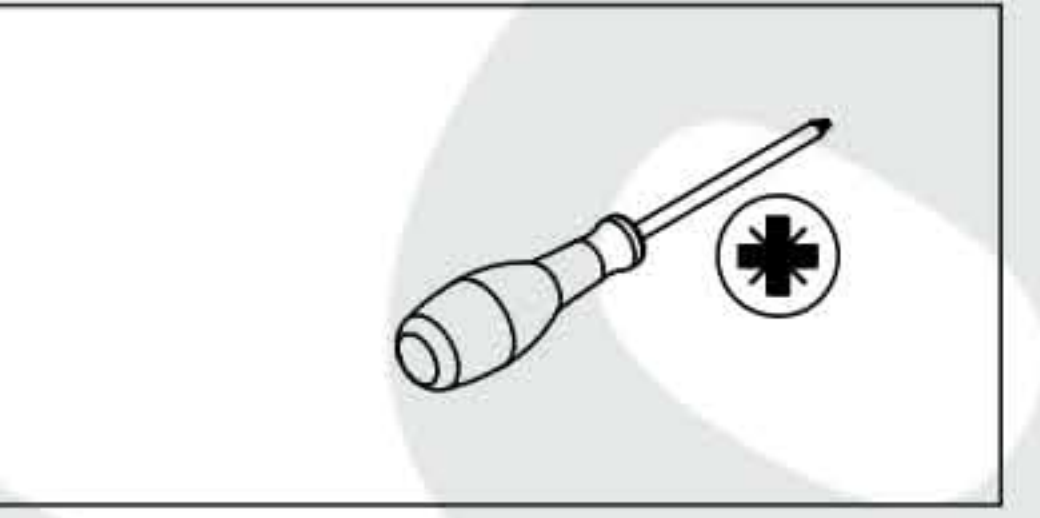
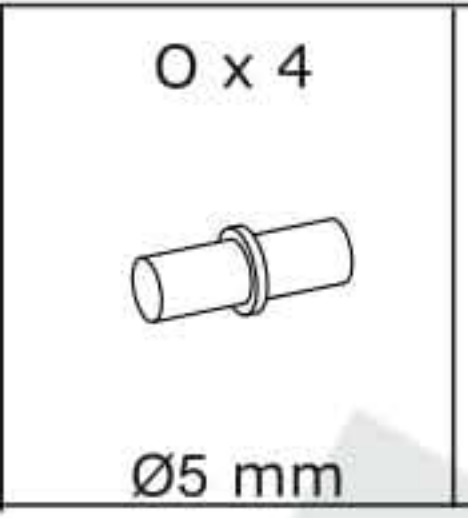
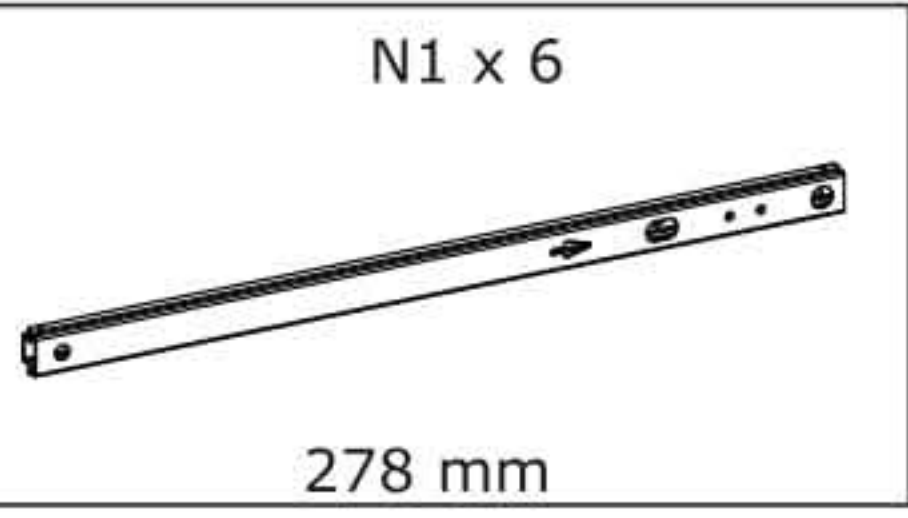
13



14



15

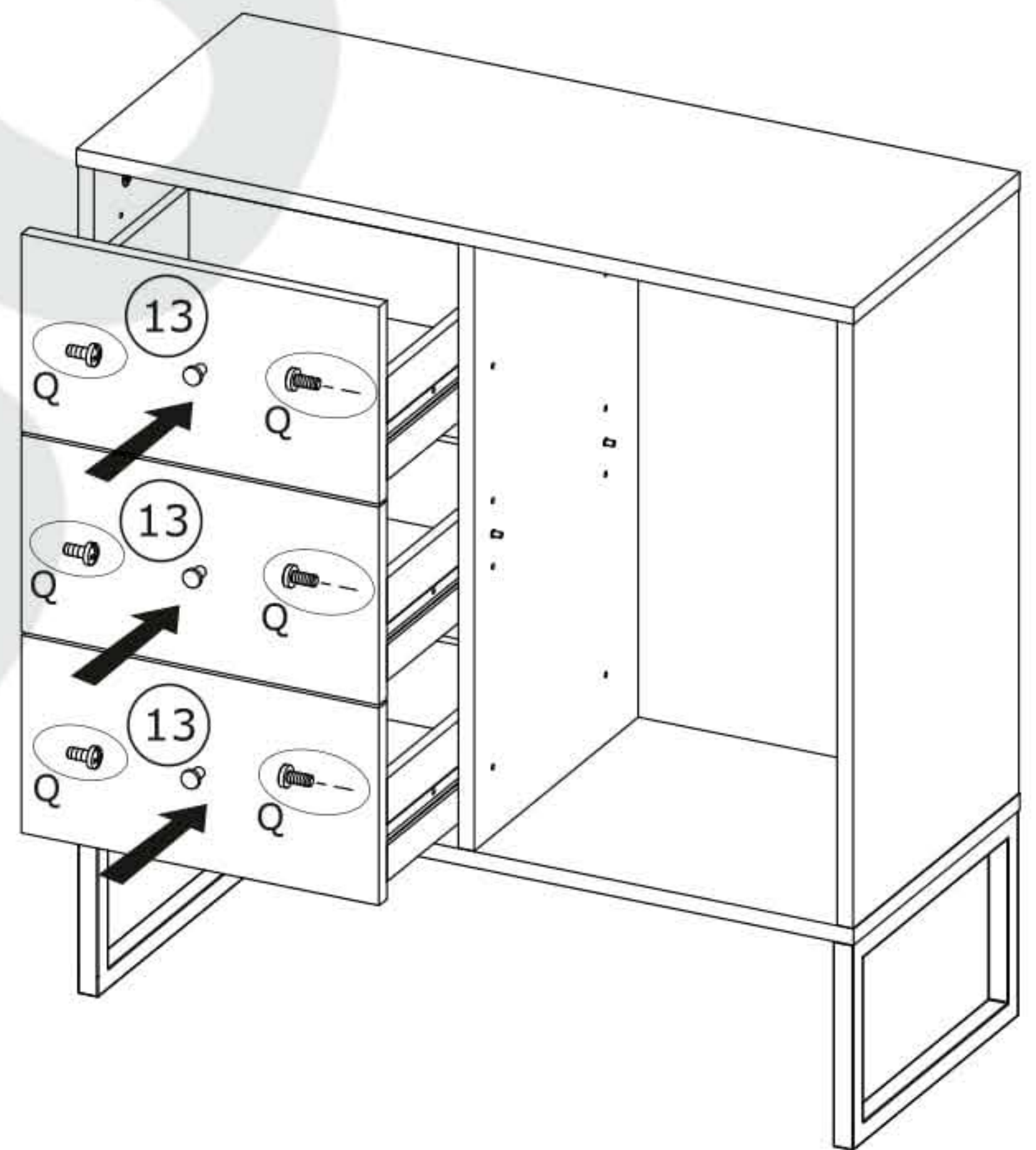
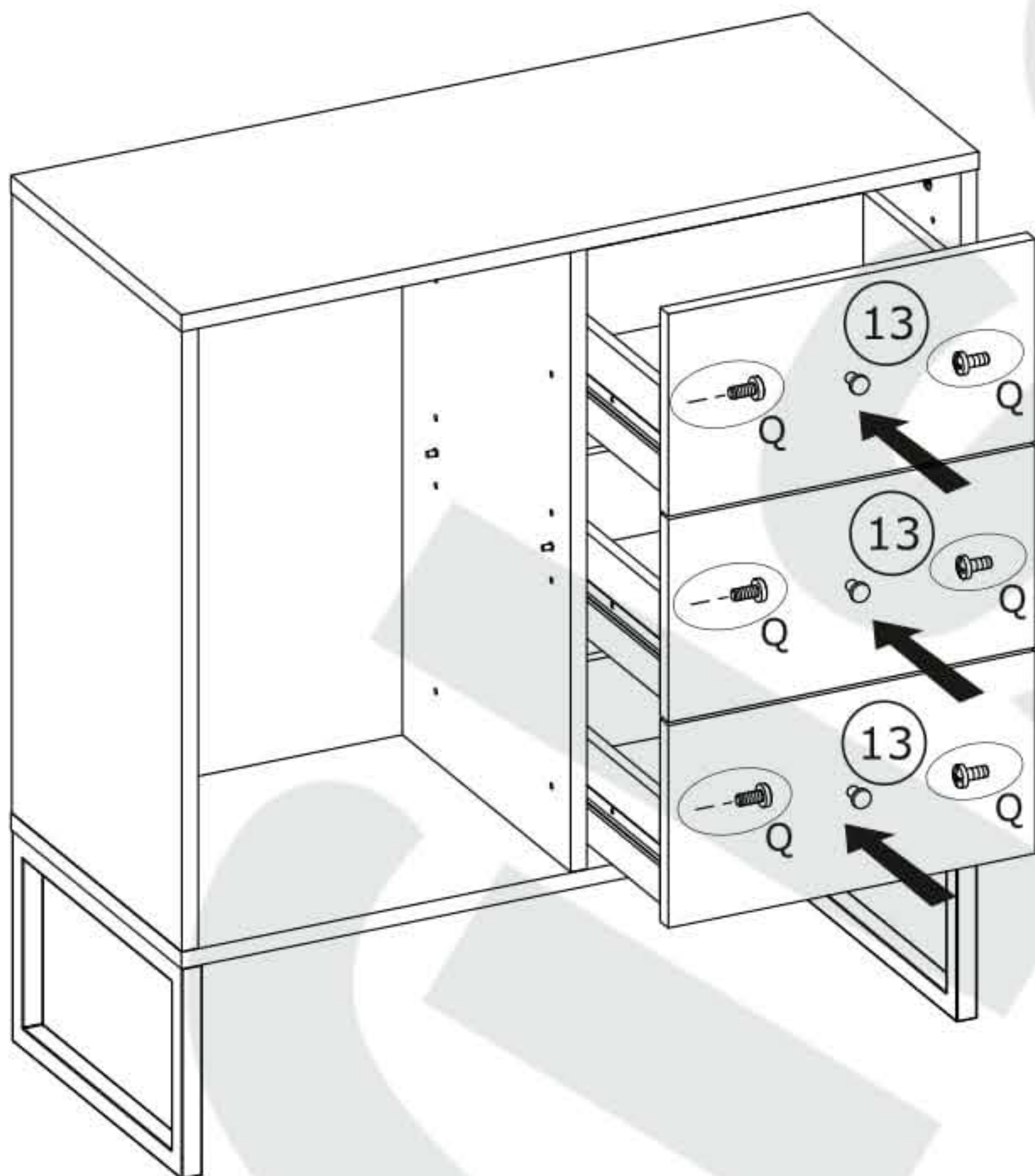
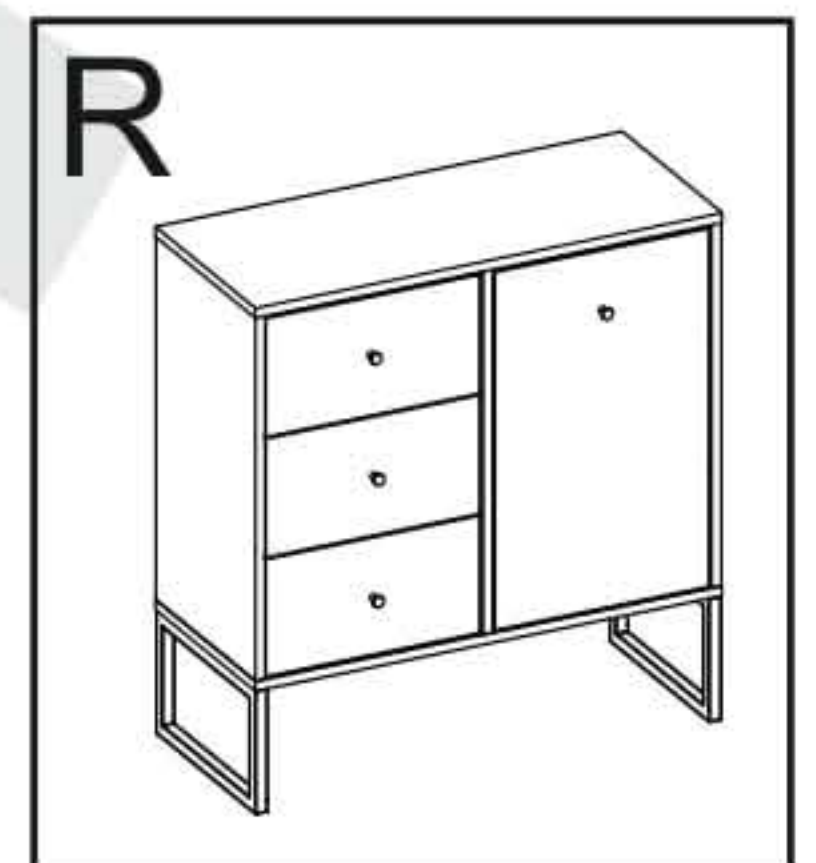
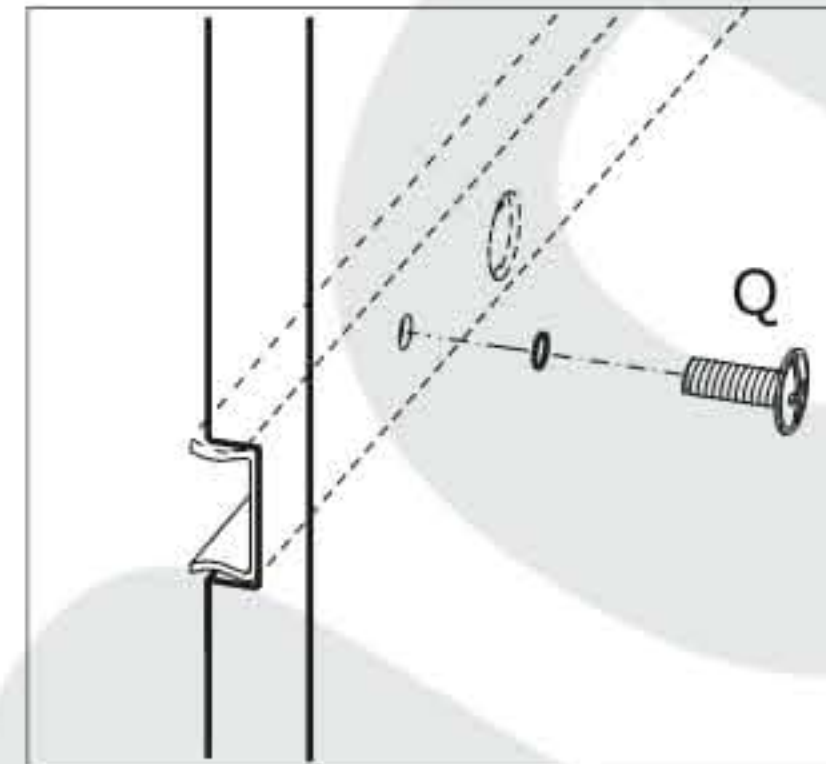
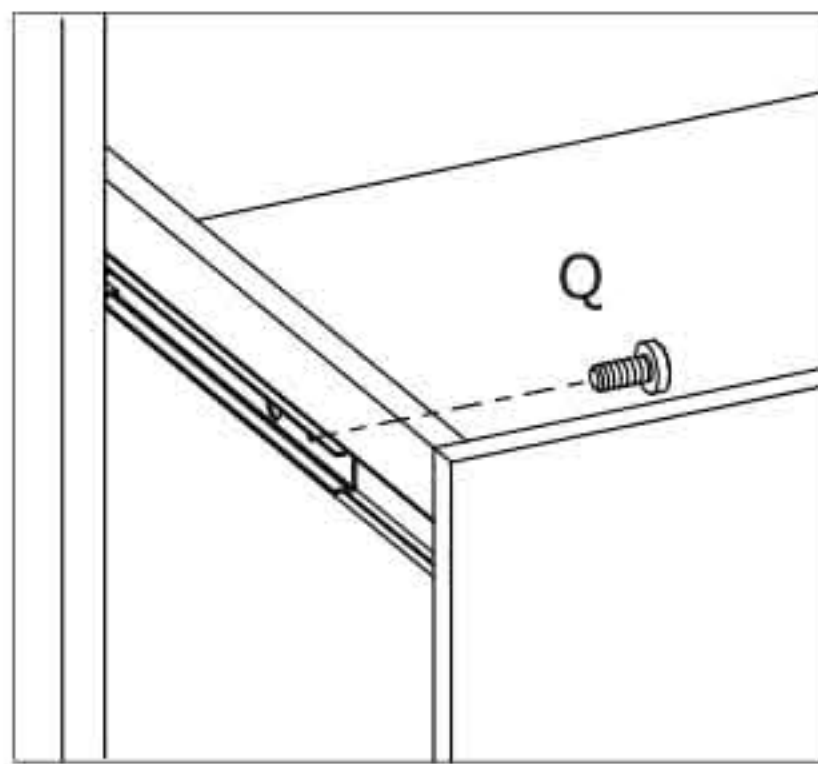
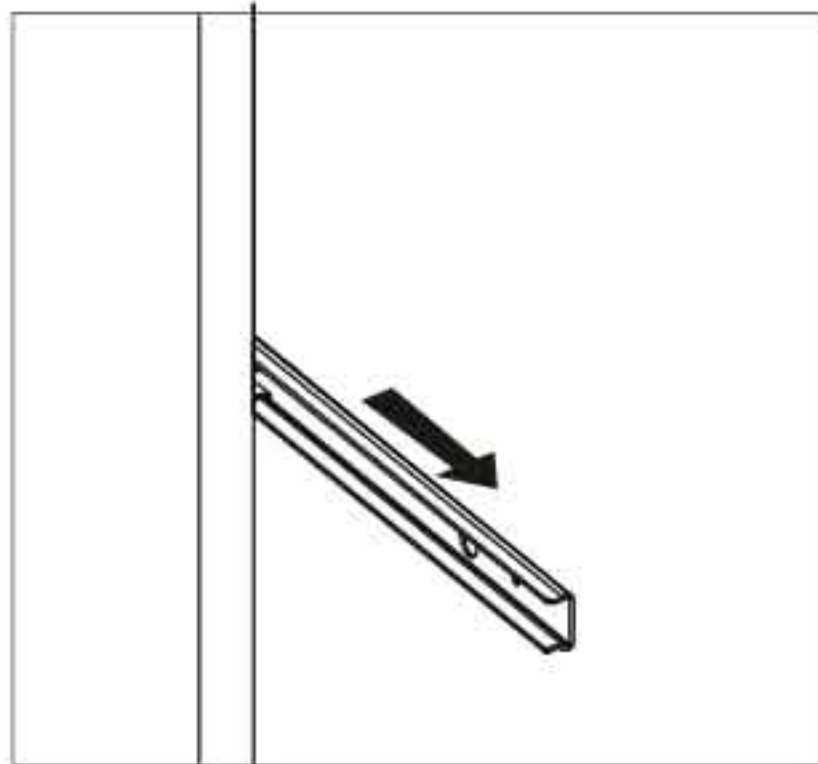
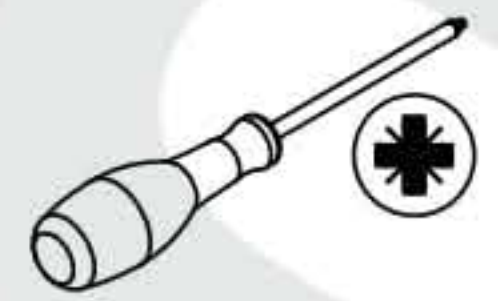


16

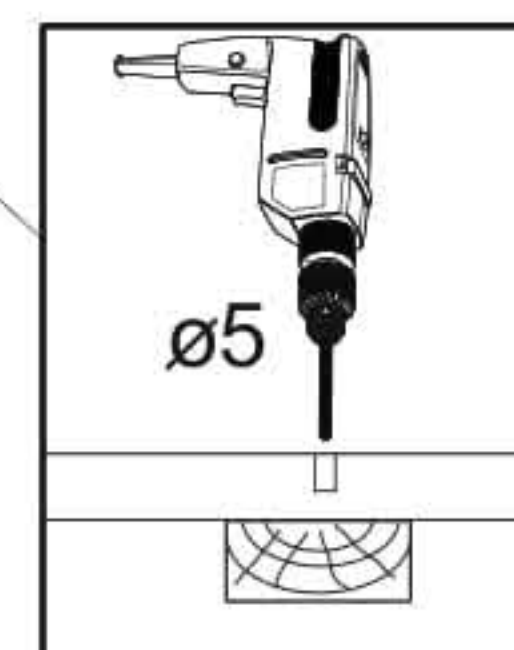
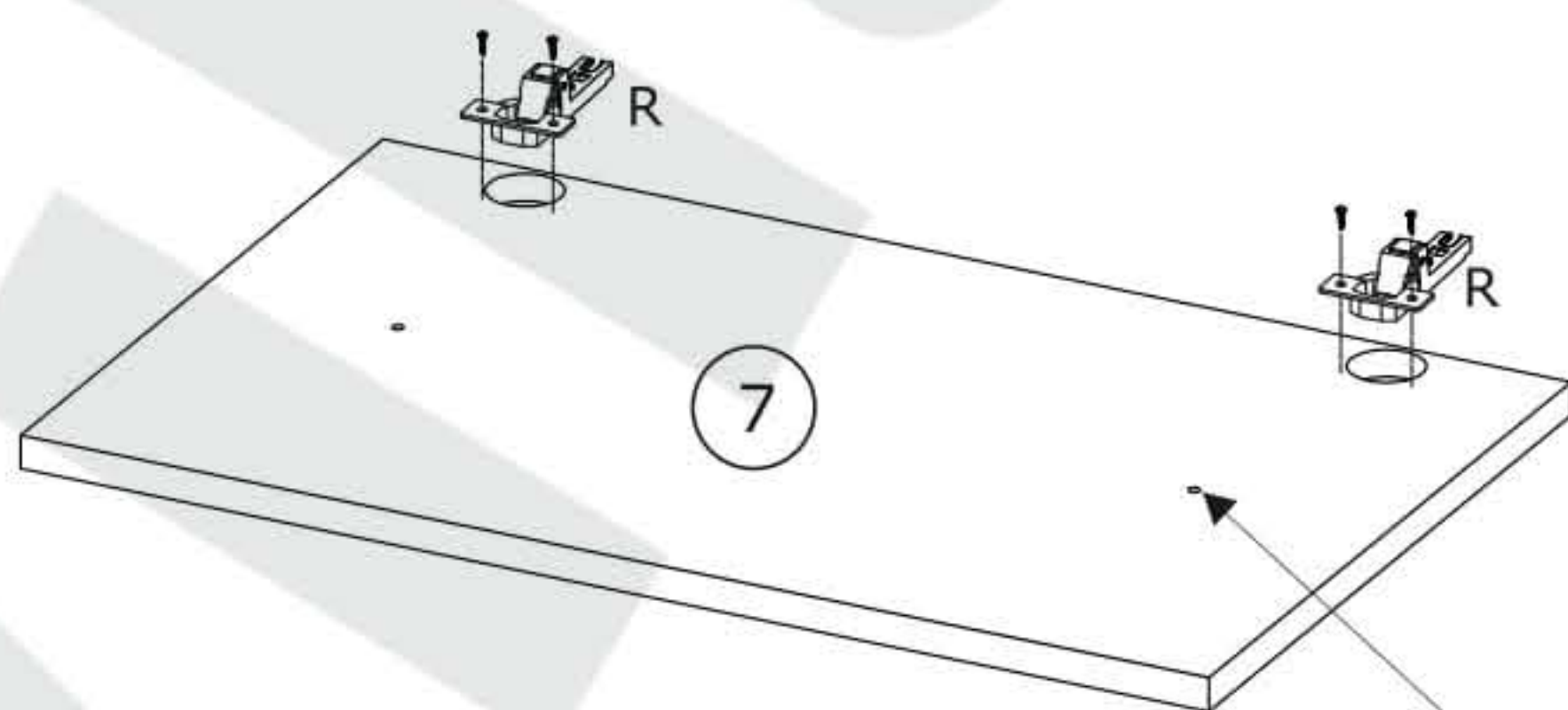
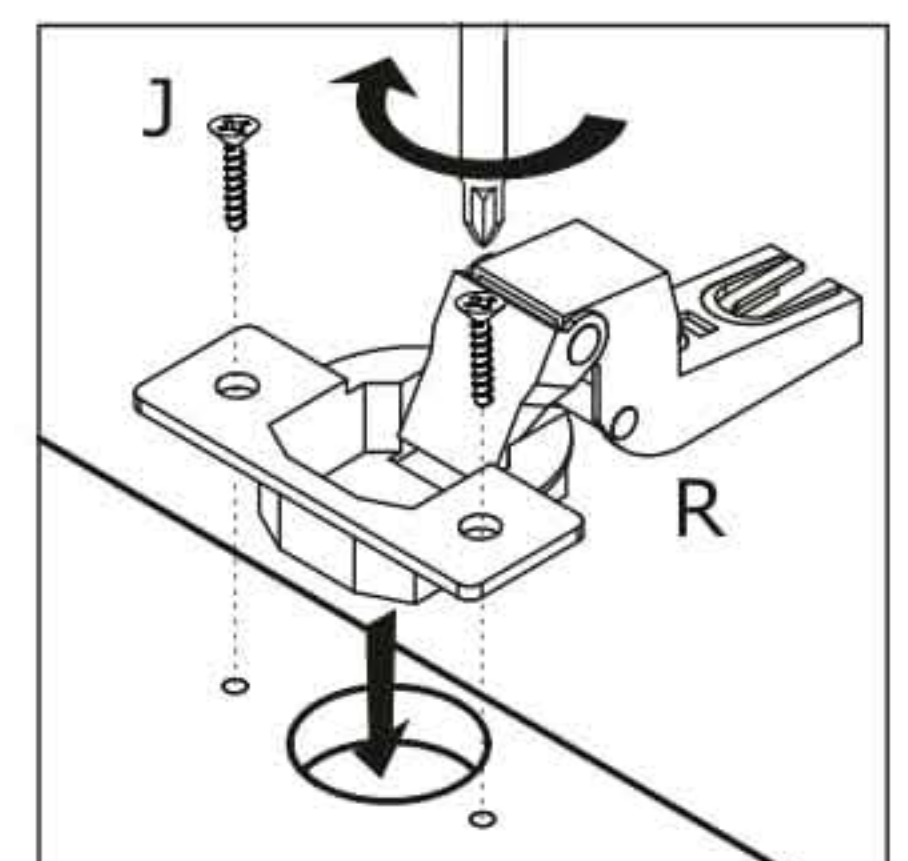
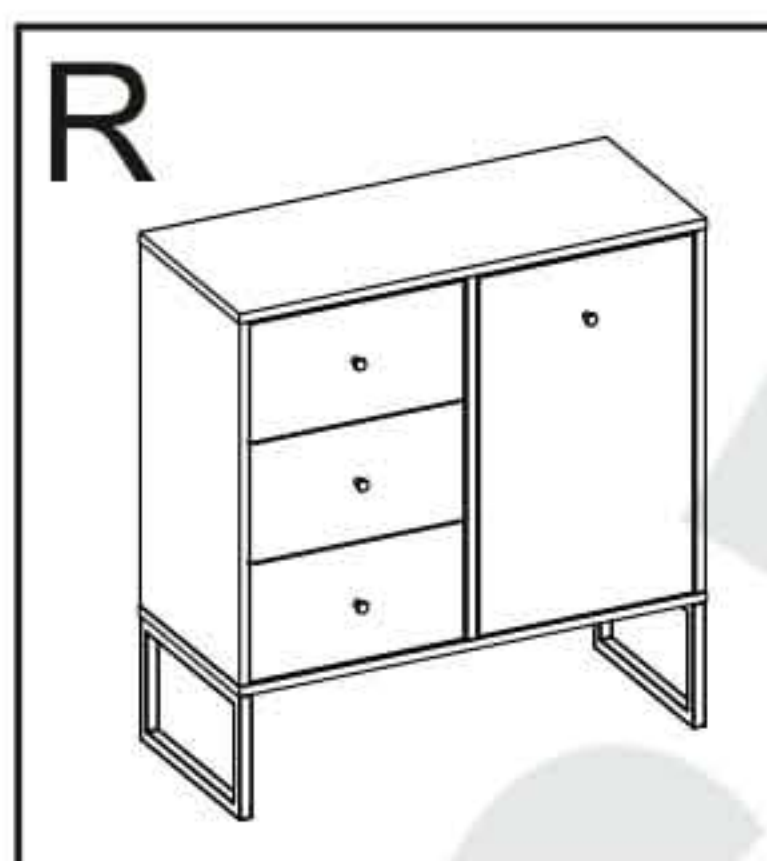
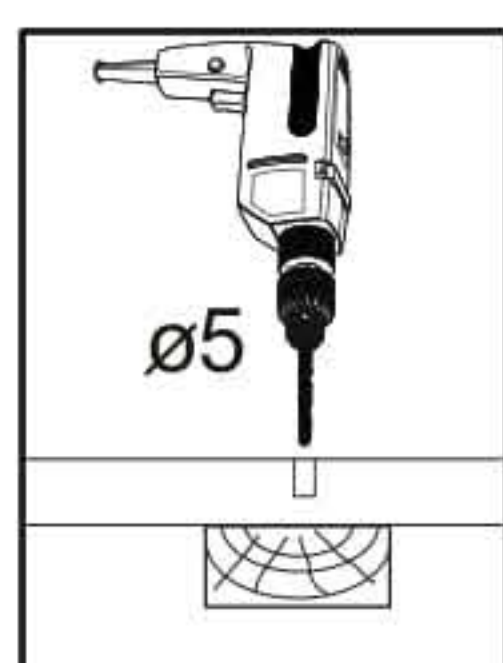
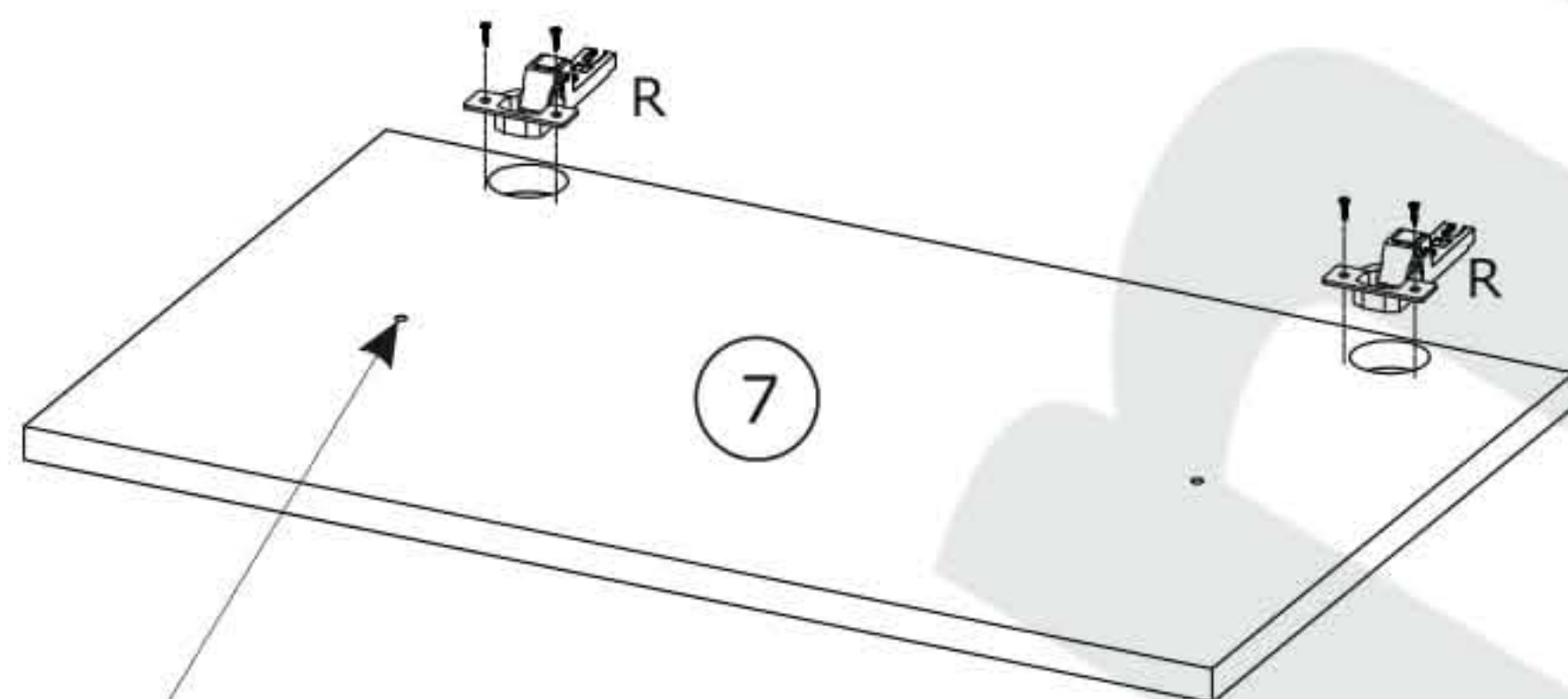
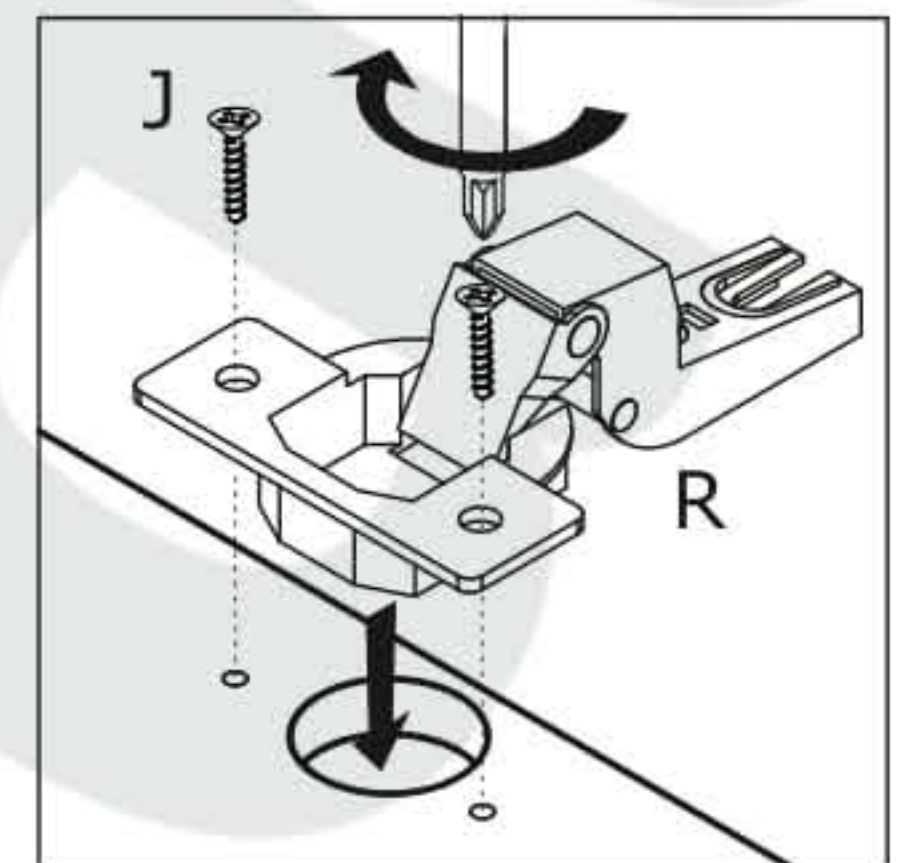
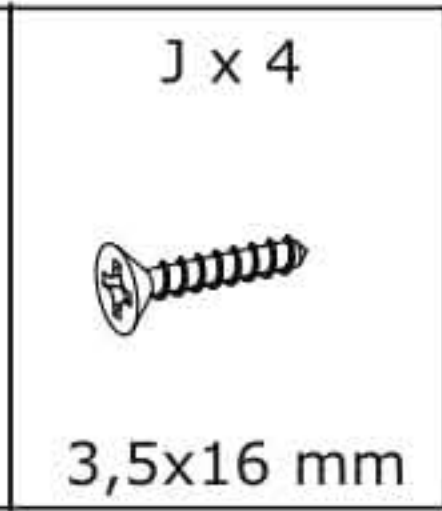
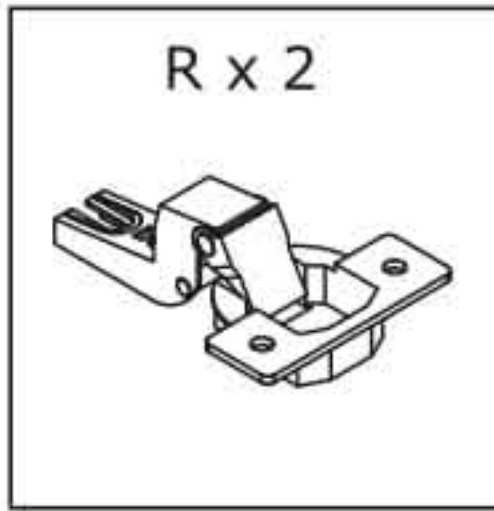
Q x 6



4x9 mm



17



18

