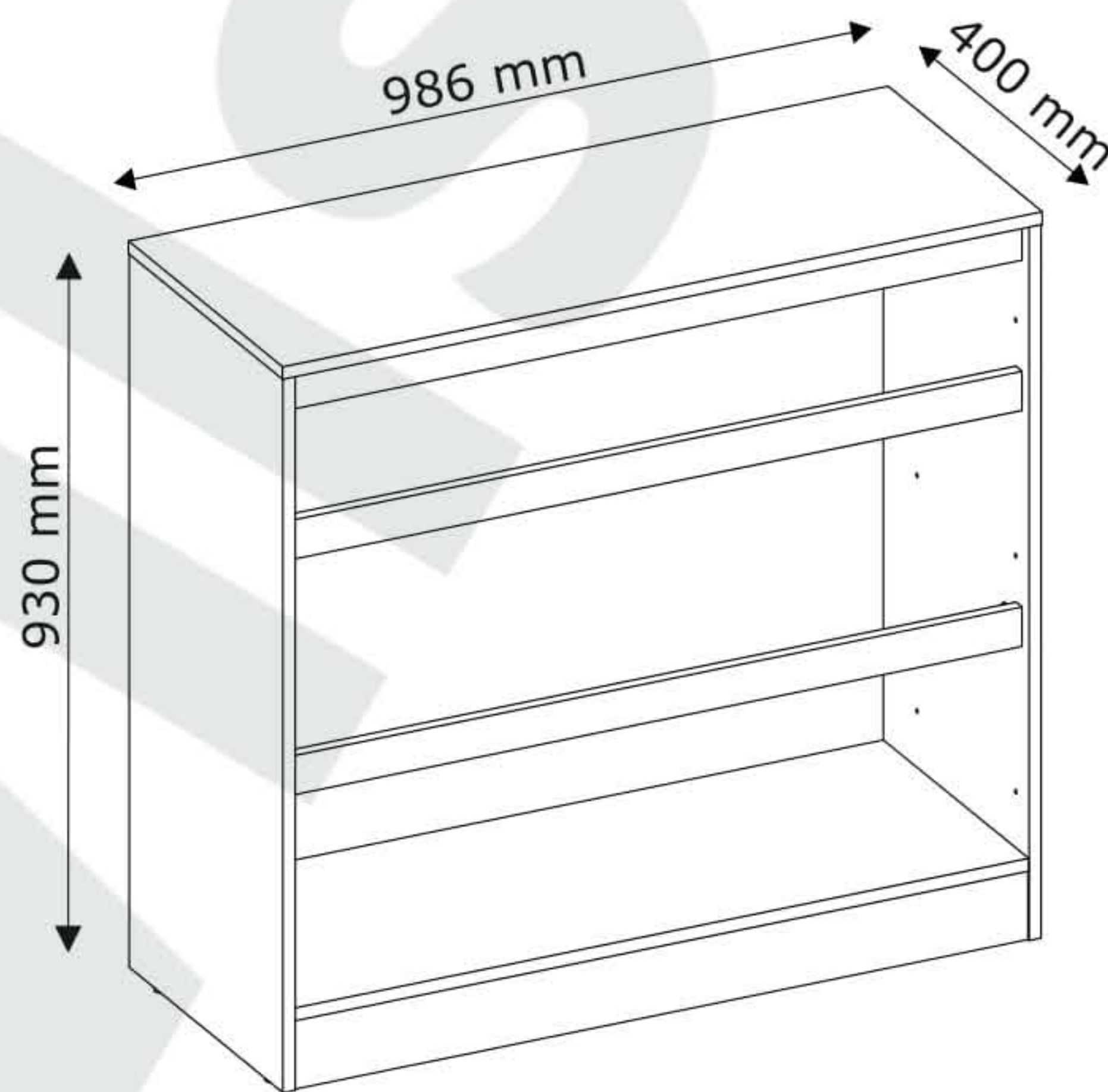
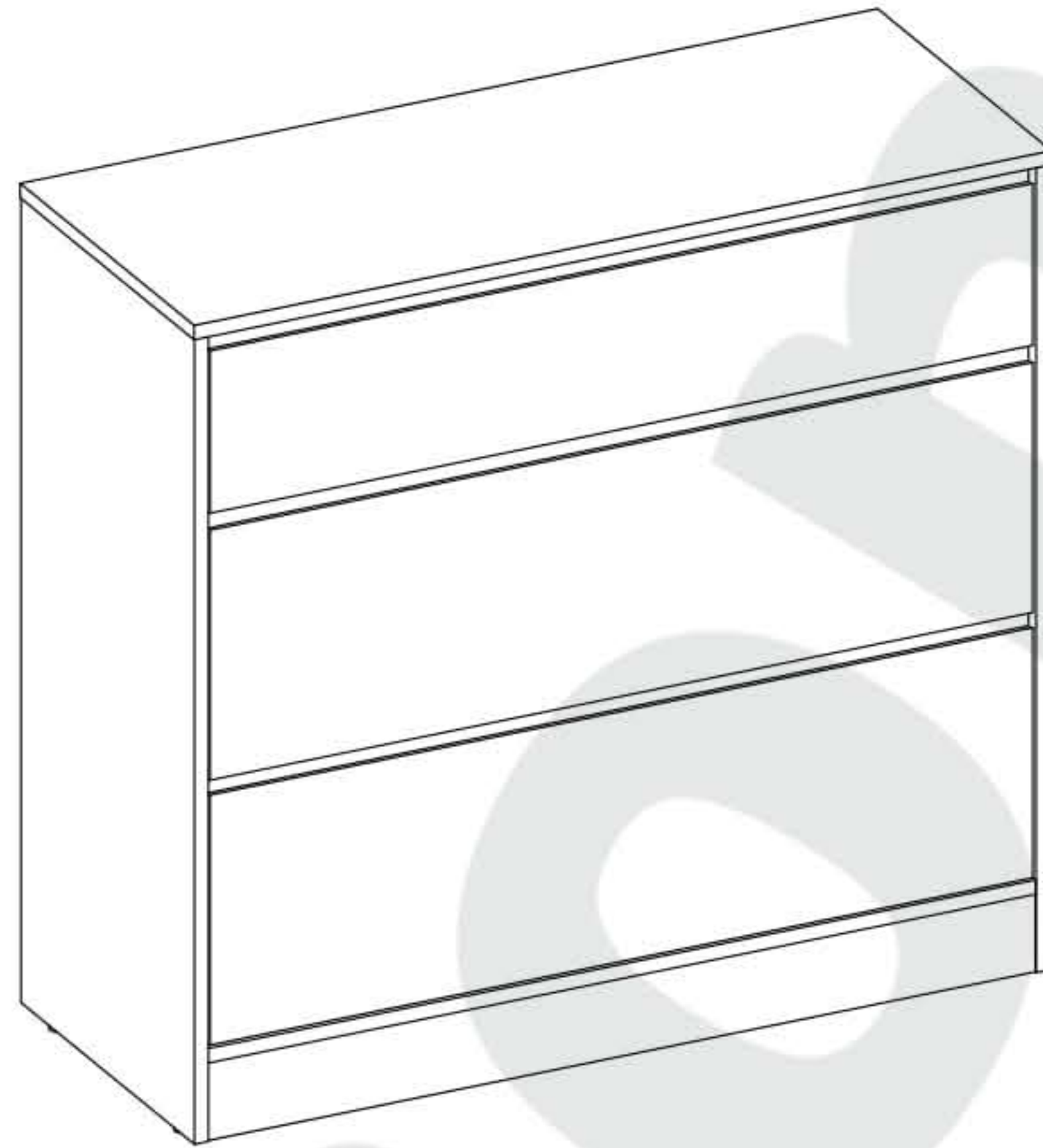
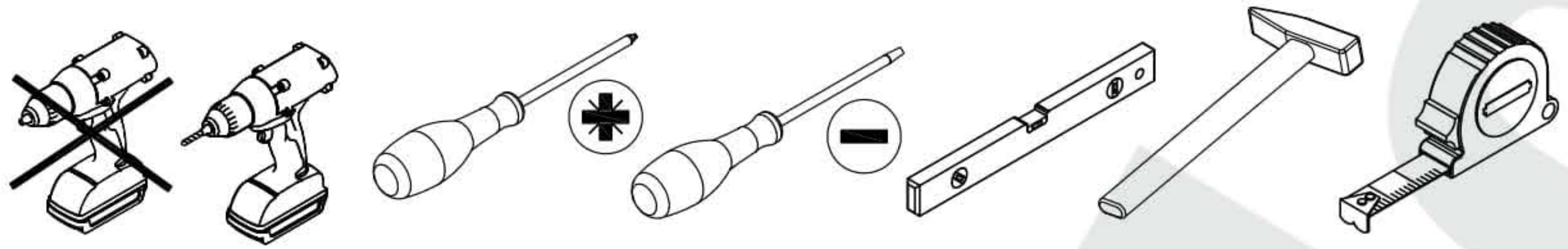


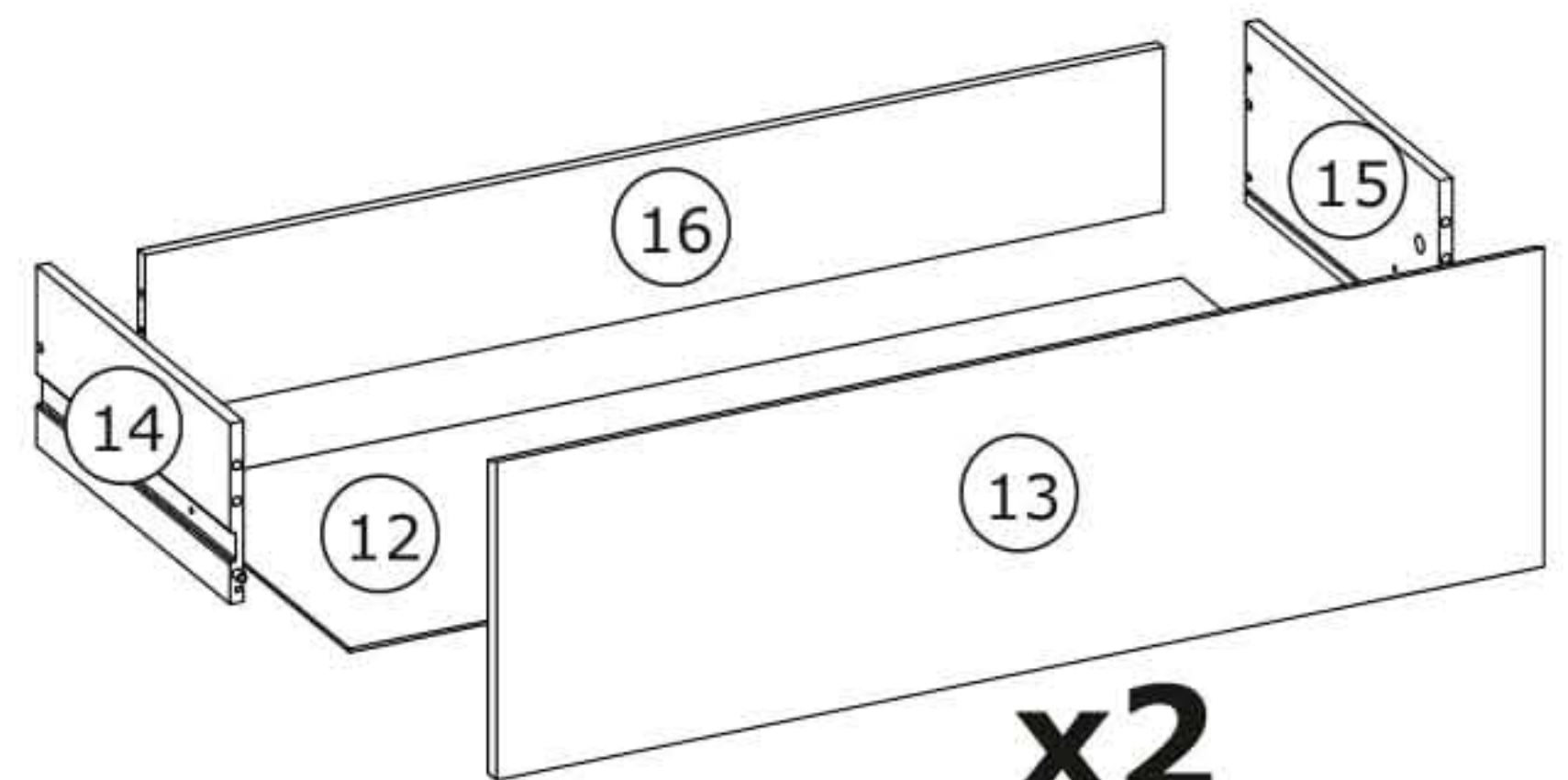
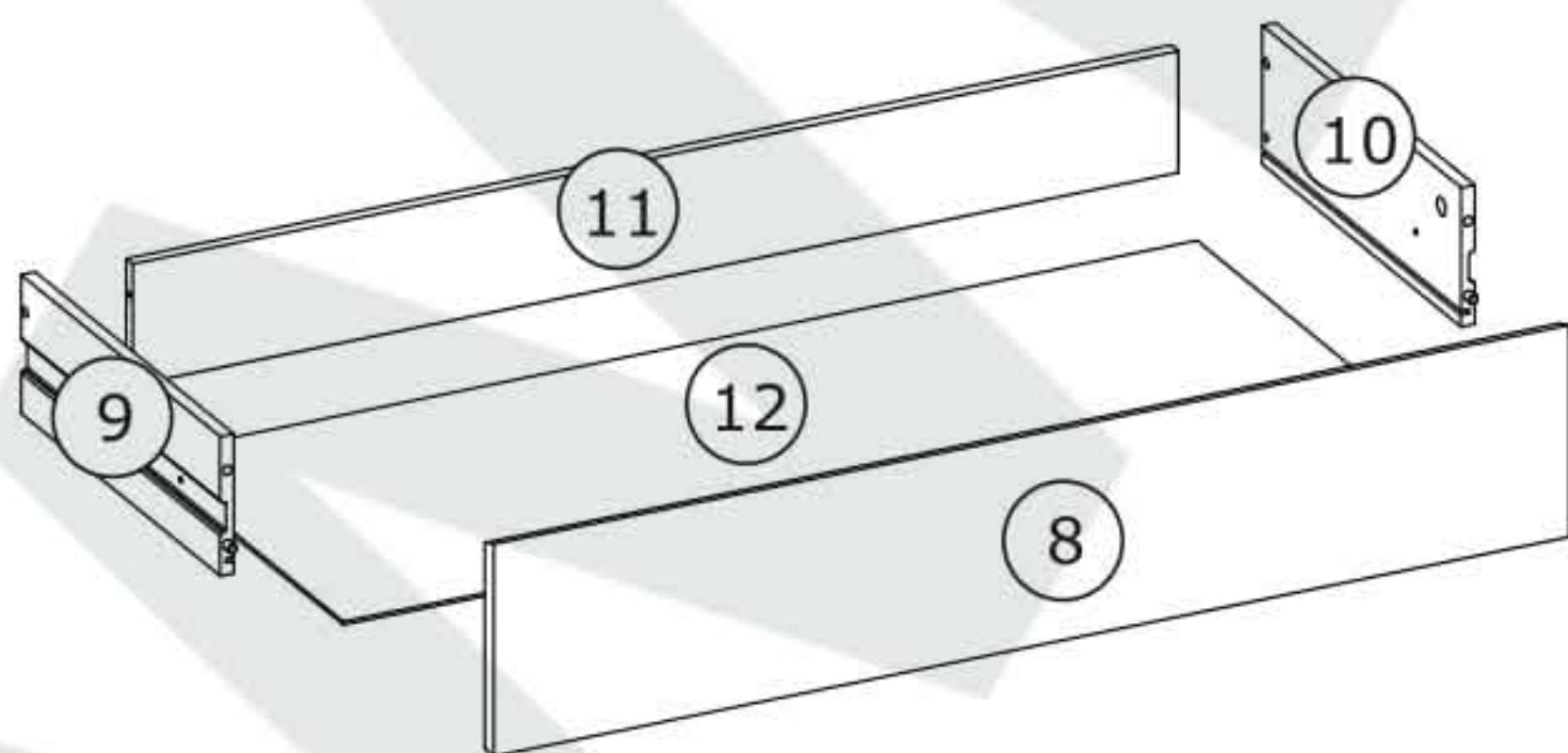
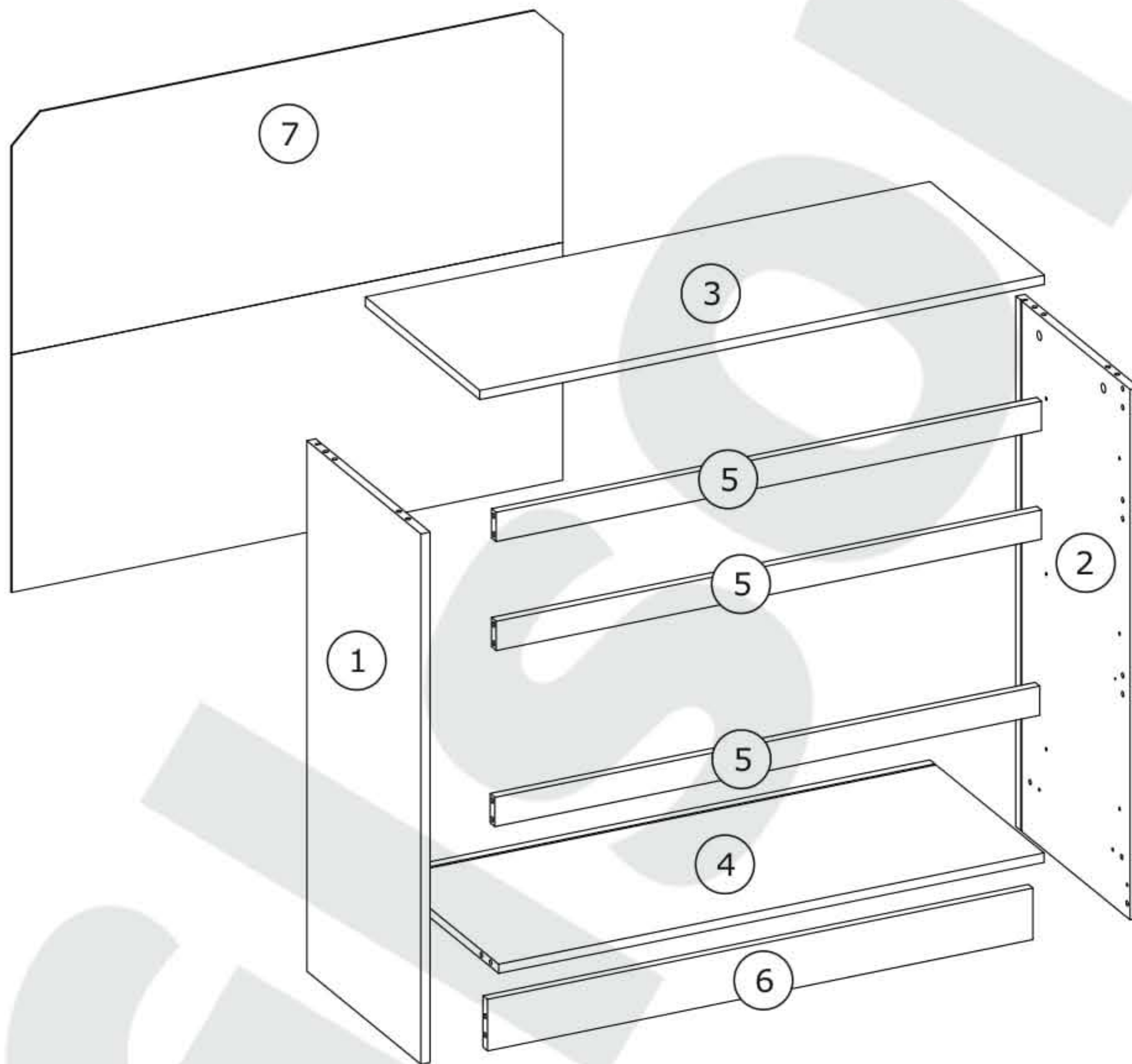
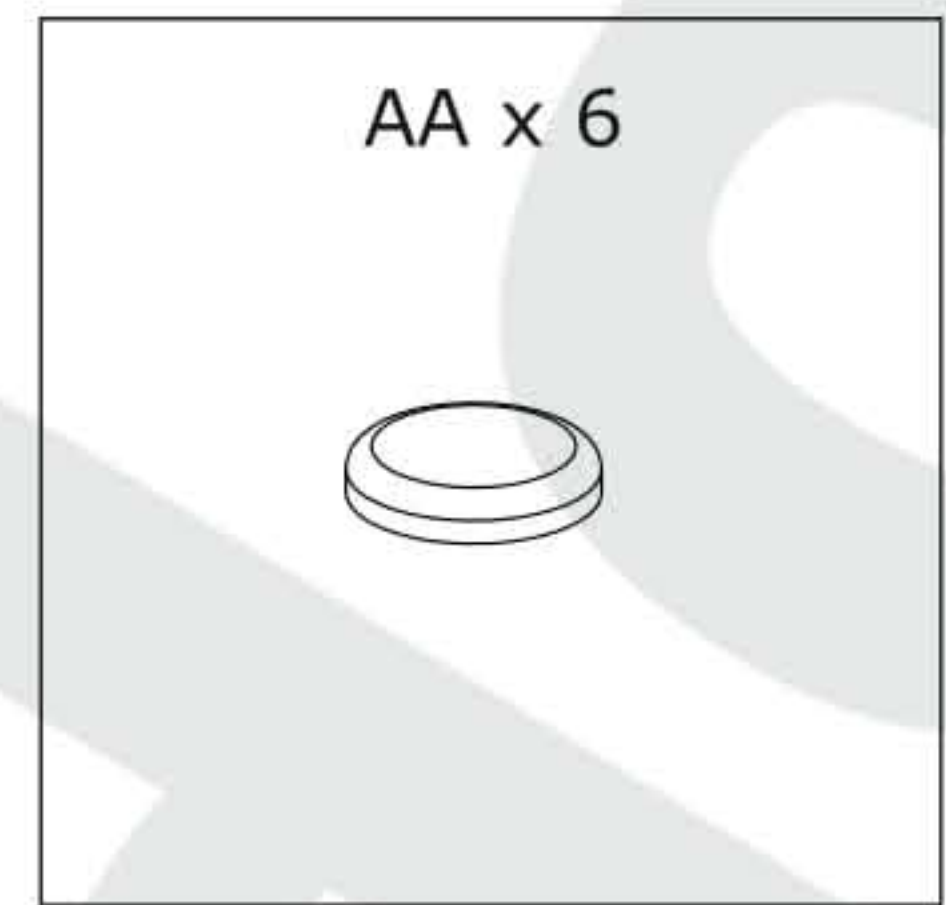
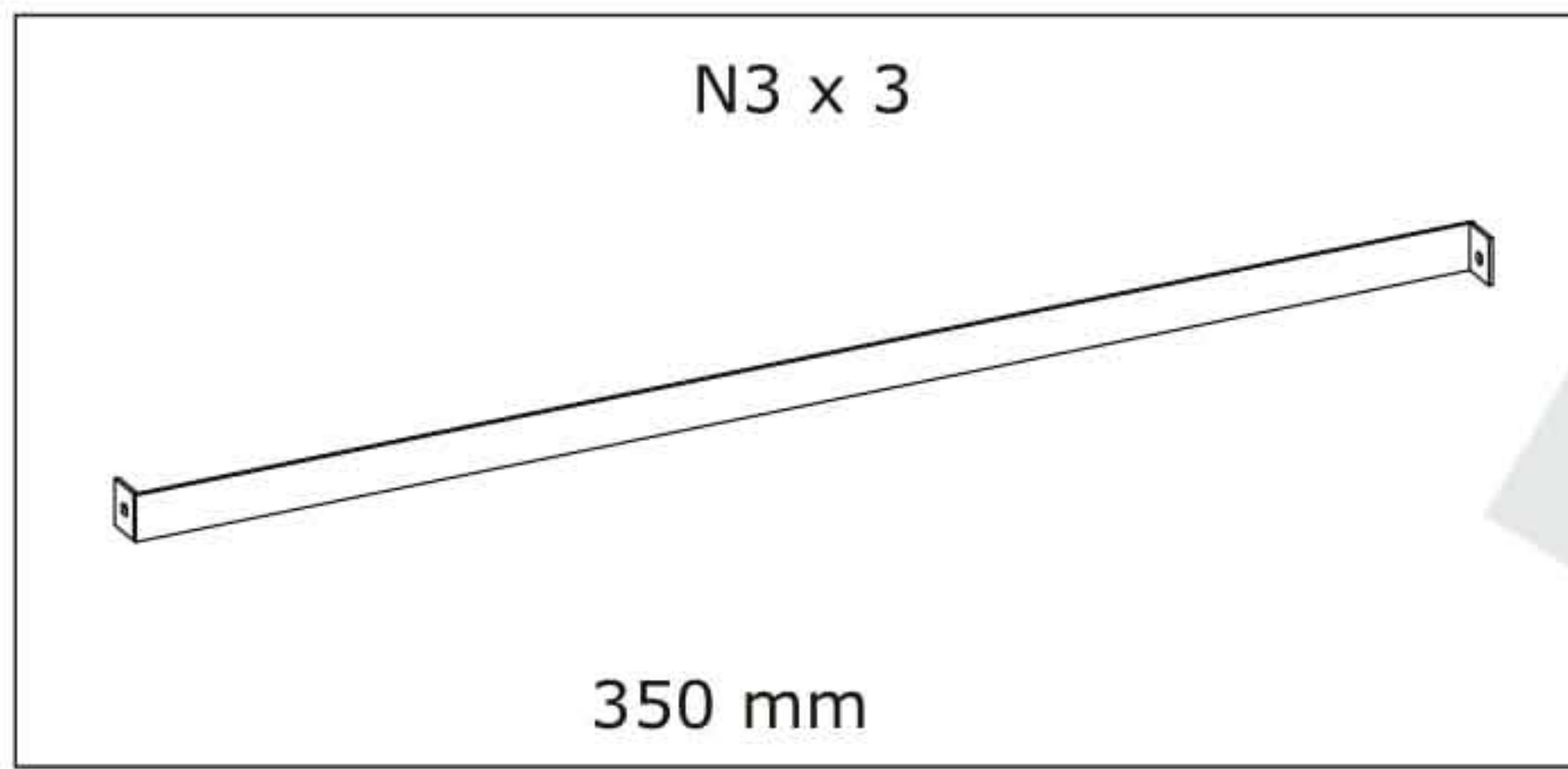
Basit

Cabinet 3S

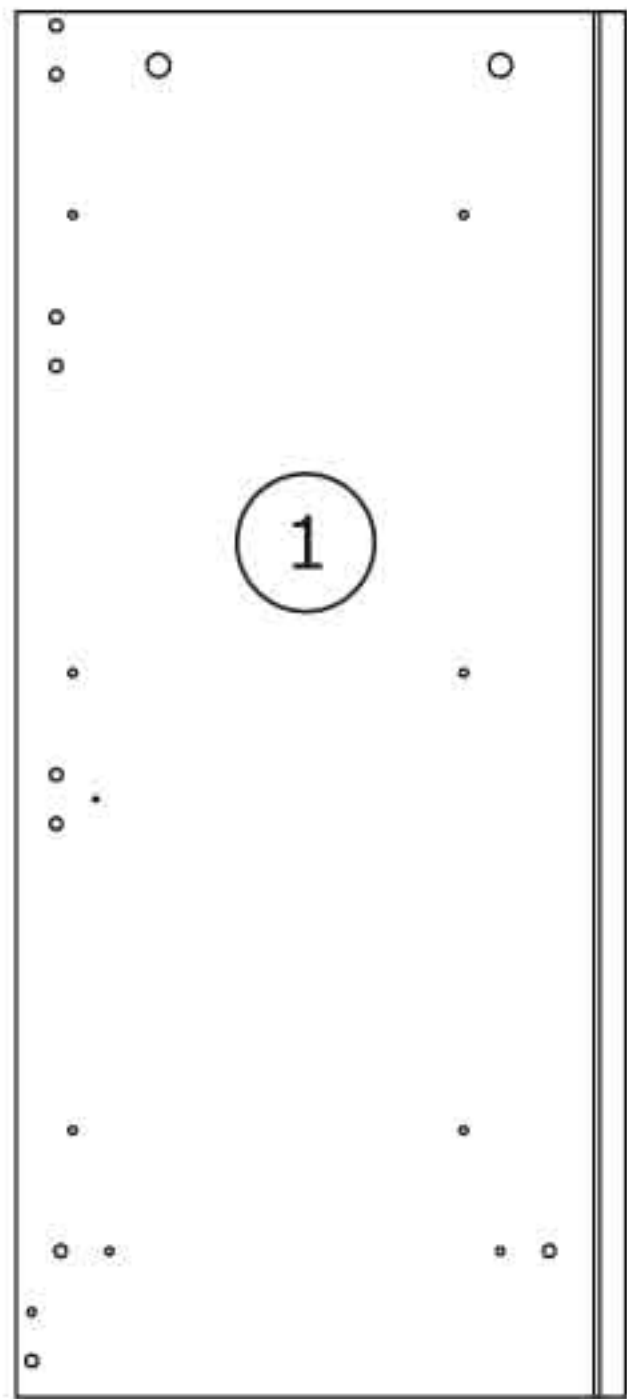




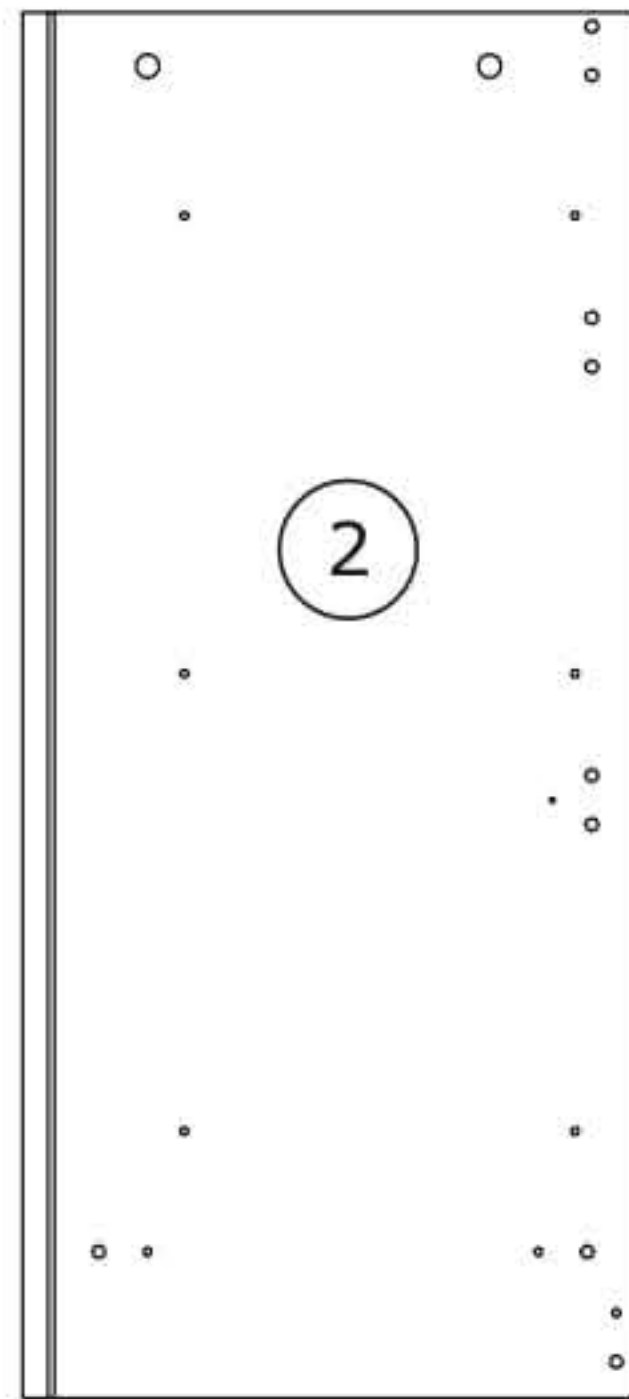
<p>A x 22</p>  <p>Ø8x35 mm</p>	<p>A1 x 10</p>  <p>Ø6x30 mm</p>	<p>B x 6</p>  <p>Ø7x50 mm</p>	<p>C x 10</p>  <p>Ø15x12 mm</p>
<p>C1 x 6</p>  <p>Ø15x10 mm</p>	<p>D x 16</p>  <p>Ø5x44 mm</p>	<p>E x 1</p>  <p>4 mm</p>	<p>F x 6</p>  <p>20 mm</p>
<p>G1 x 4</p> 	<p>H1 x 8</p>  <p>10x10 mm</p>	<p>I x 2</p> 	<p>I1 x 4</p> 
<p>J x 2</p>  <p>3,5x16 mm</p>	<p>J1 x 6</p>  <p>3,5x13 mm</p>	<p>L x 8</p>  <p>4x16 mm</p>	<p>L1 x 18</p>  <p>3x20 mm</p>
<p>M x 12</p>  <p>Ø6,3x13 mm</p>	<p>N1 x 6</p>  <p>310 mm</p>		<p>Q x 6</p>  <p>4x9 mm</p>



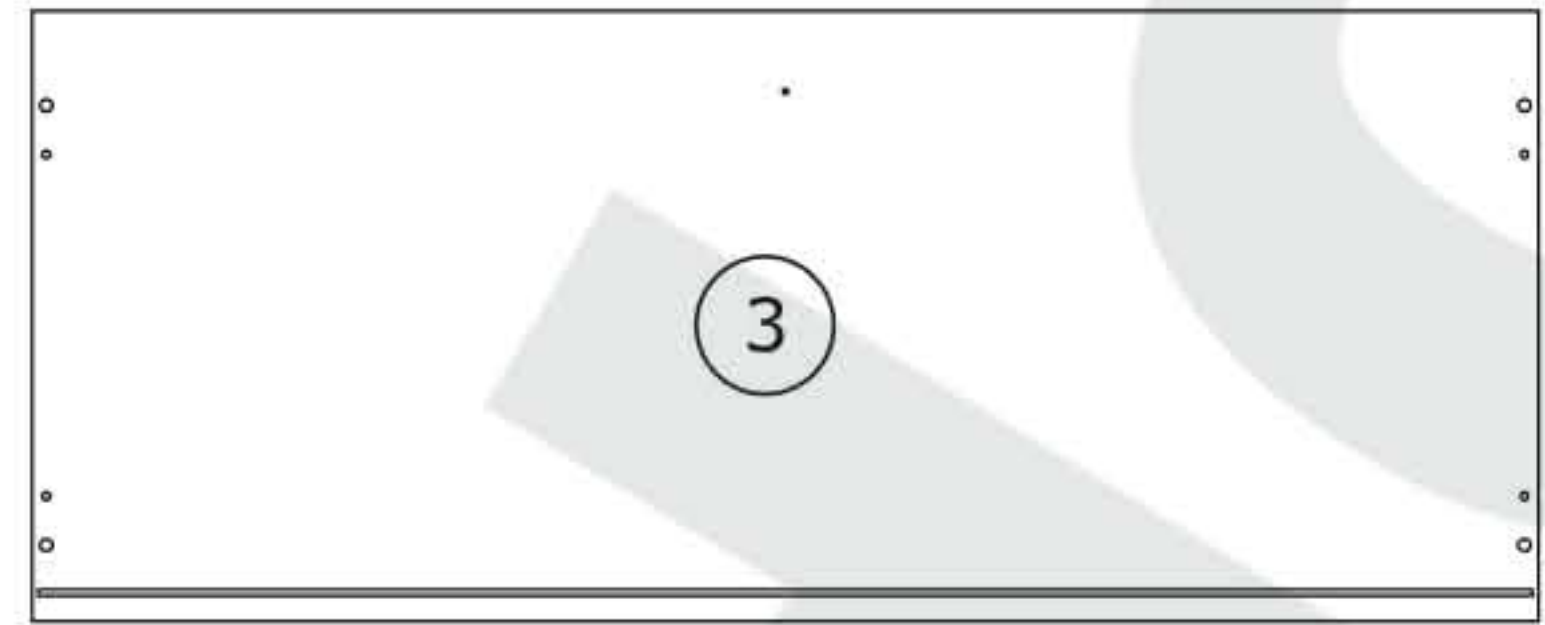
BOX 1/1:



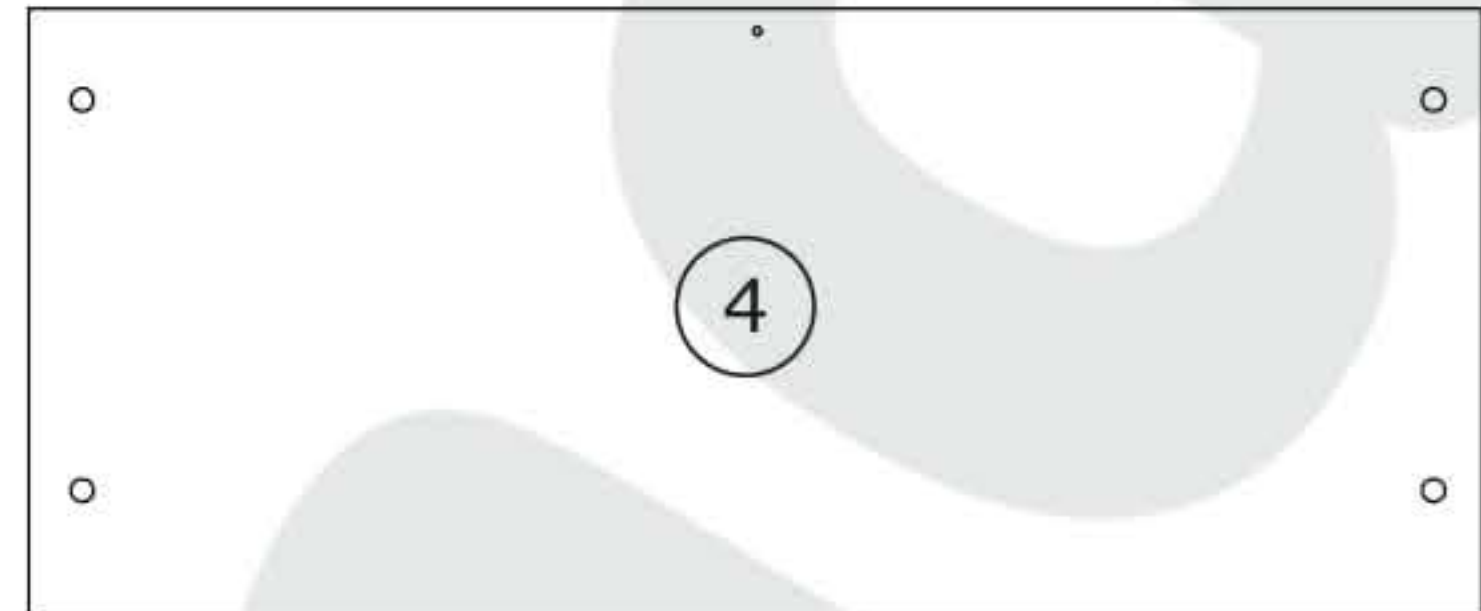
908x399x16 mm



908x399x16 mm



986x400x16 mm



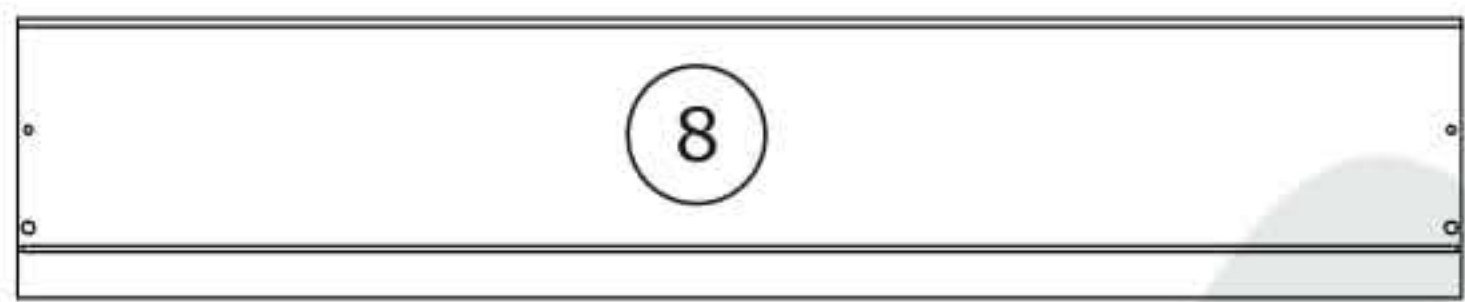
952x398x16 mm



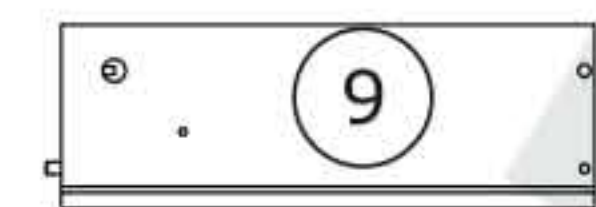
952x50x16 mm **x3**



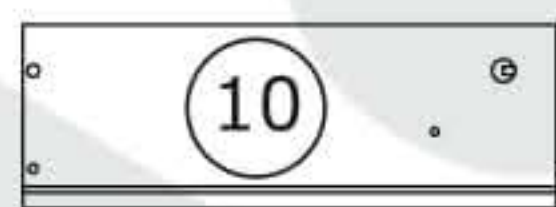
952x88x16 mm



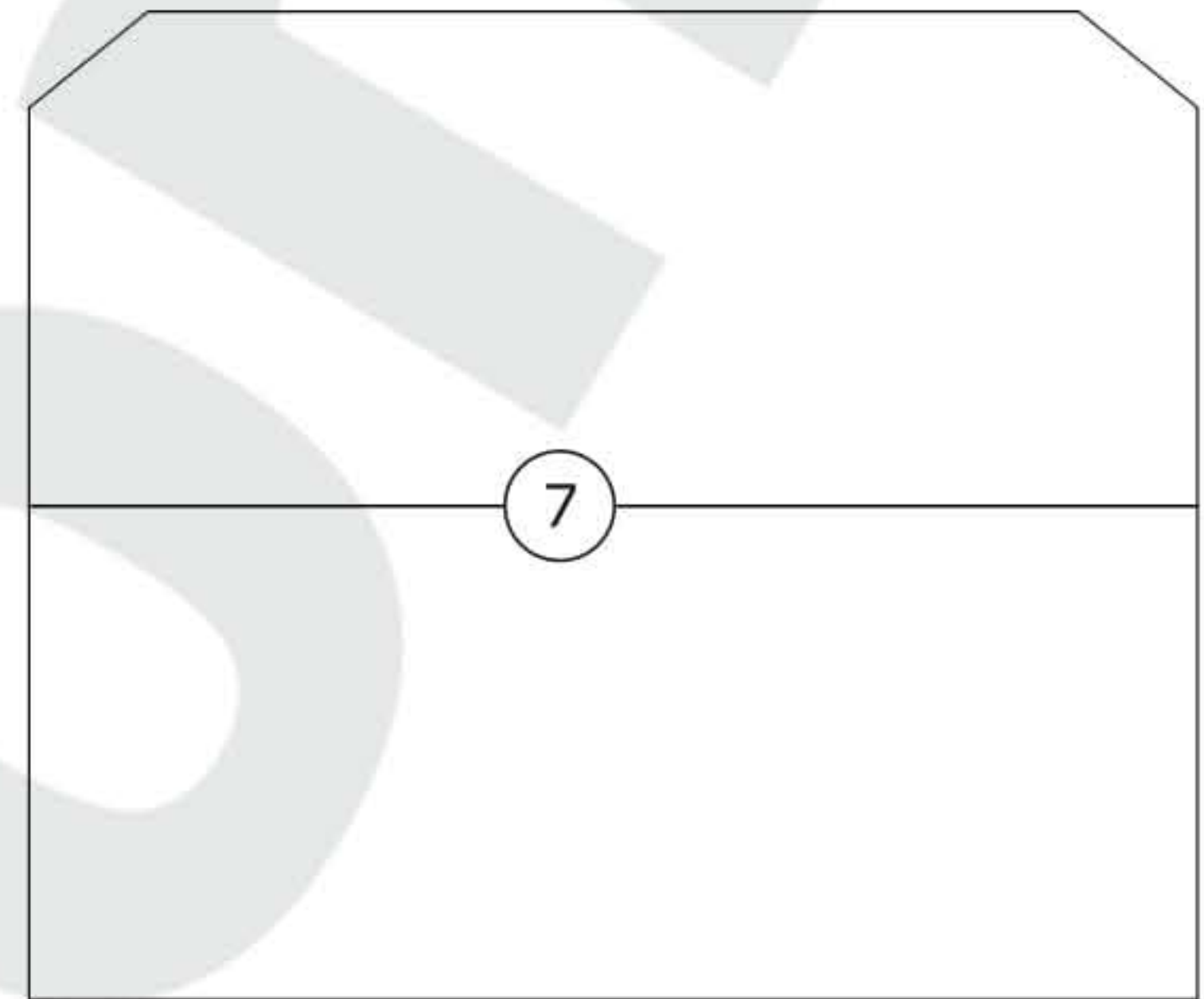
946x183x16 mm



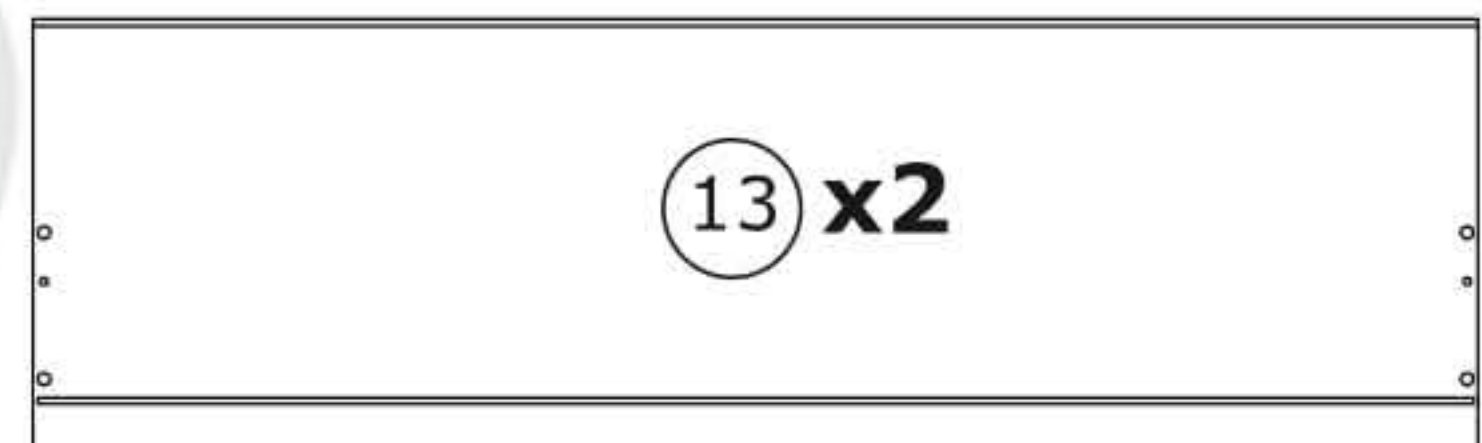
350x120x12 mm



350x120x12 mm



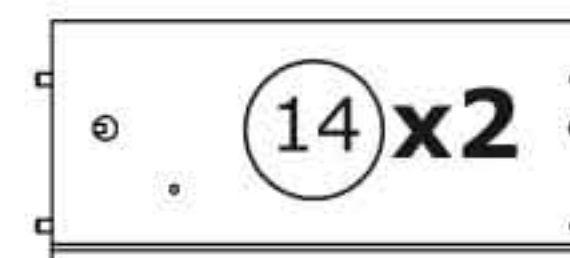
962x814x3 mm



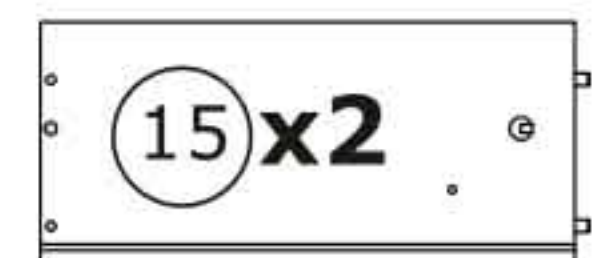
946x282x16 mm



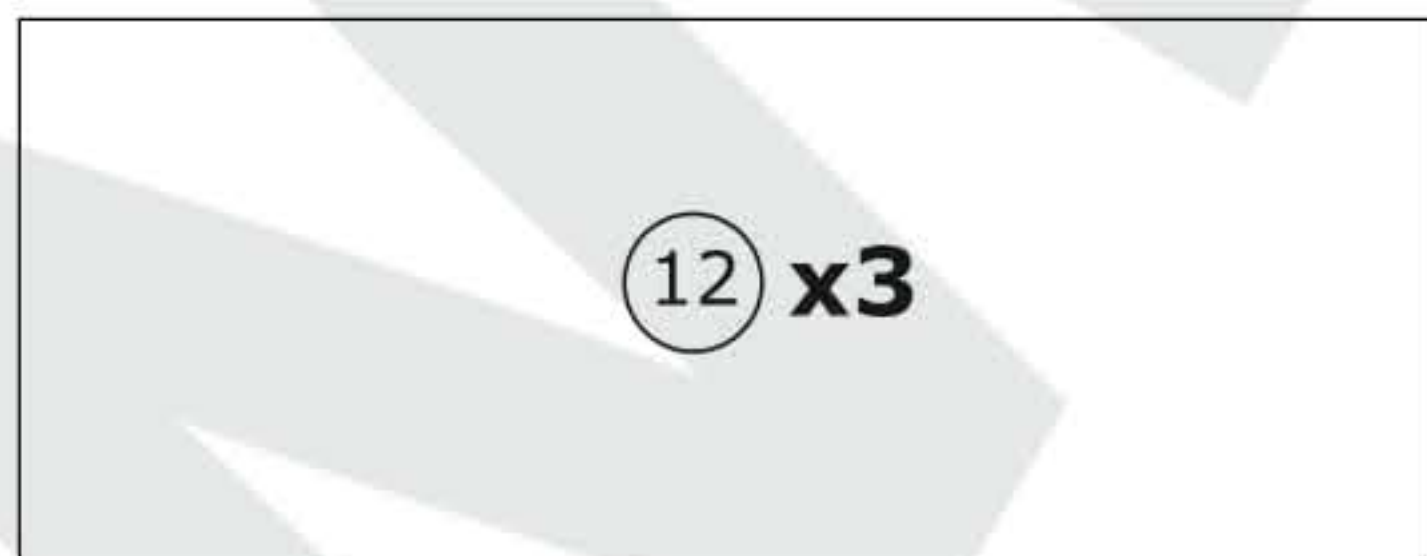
920x105x12 mm



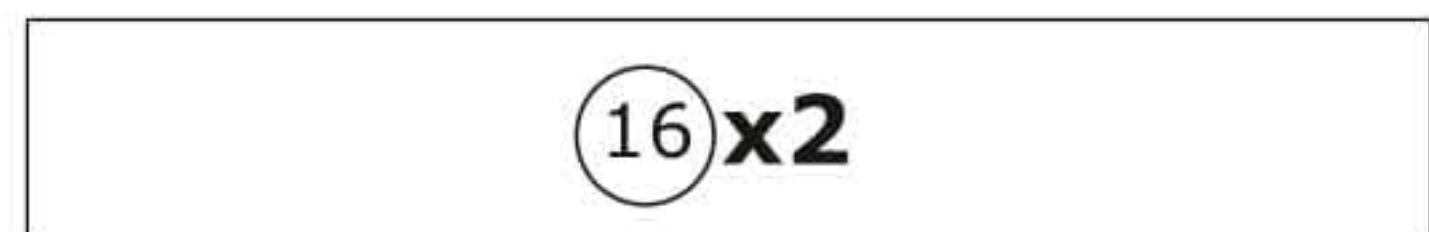
350x160x12 mm



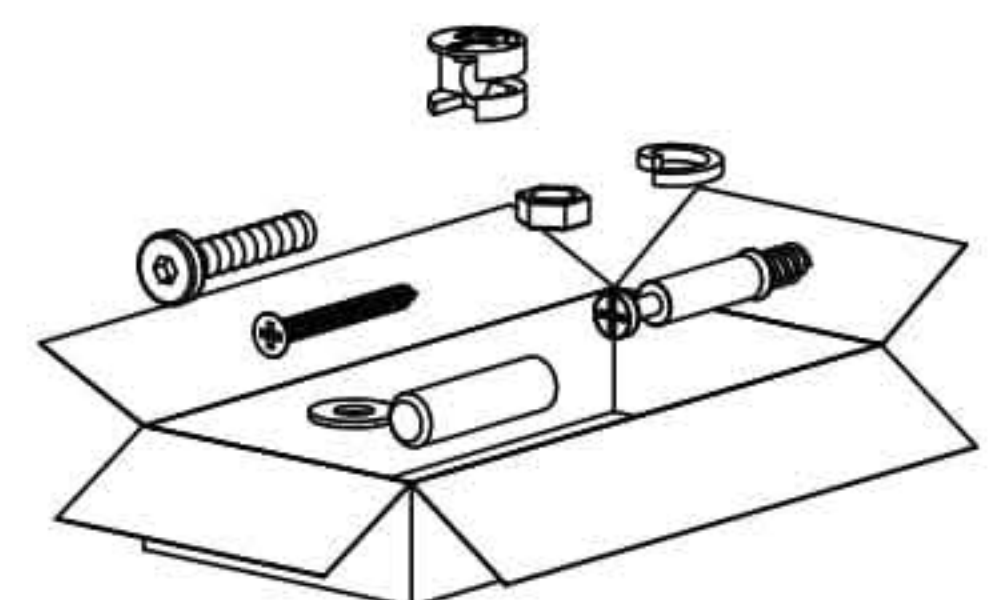
350x160x12 mm








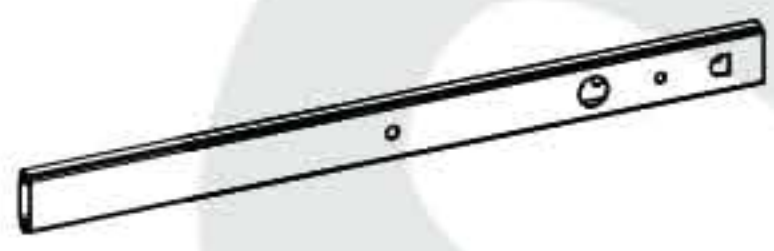
930x357x3 mm

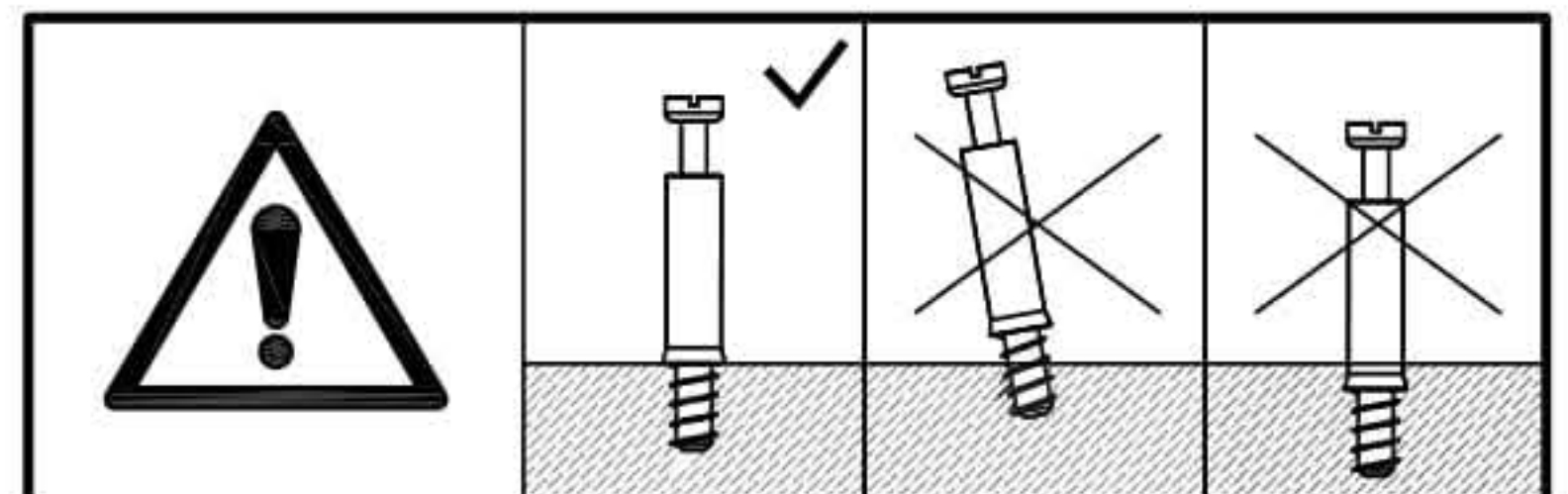
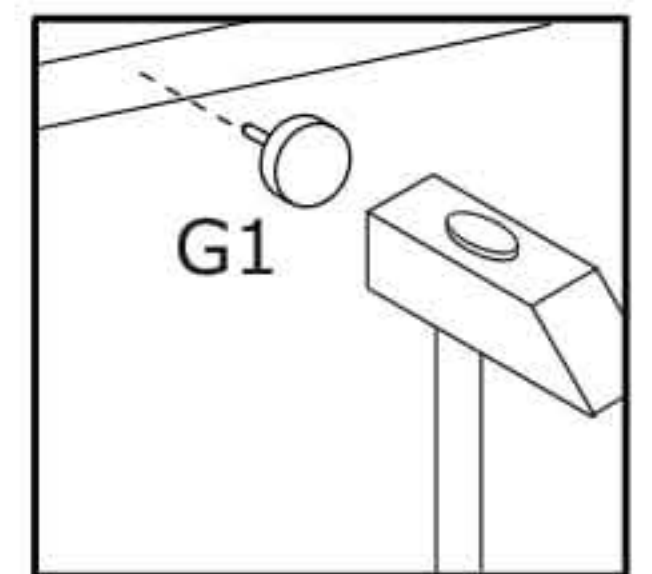
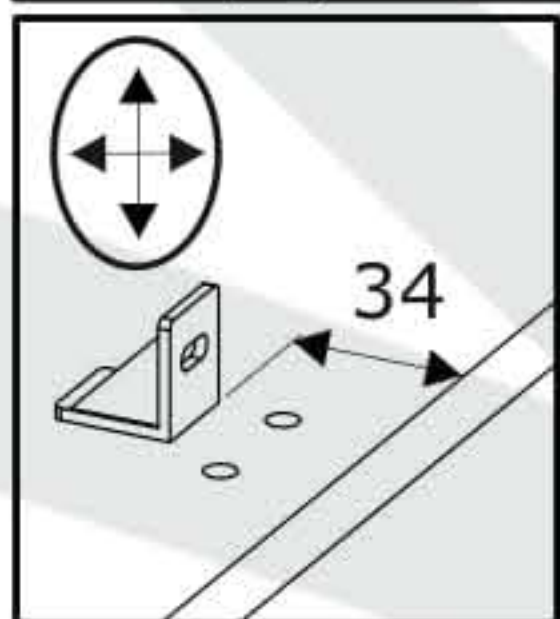
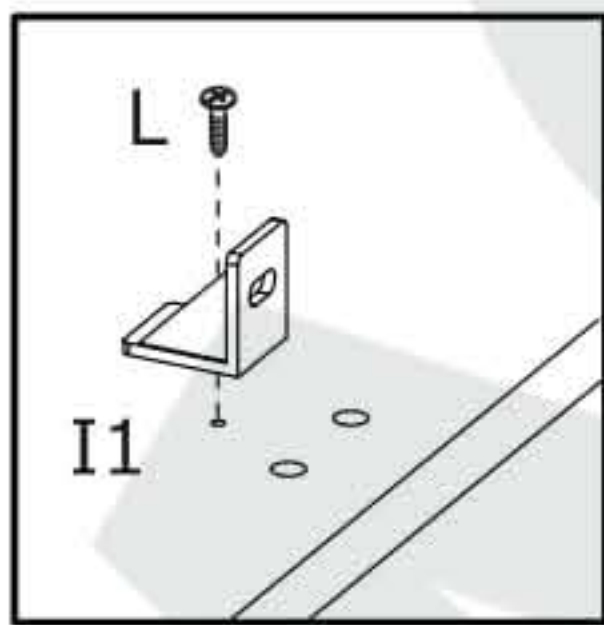
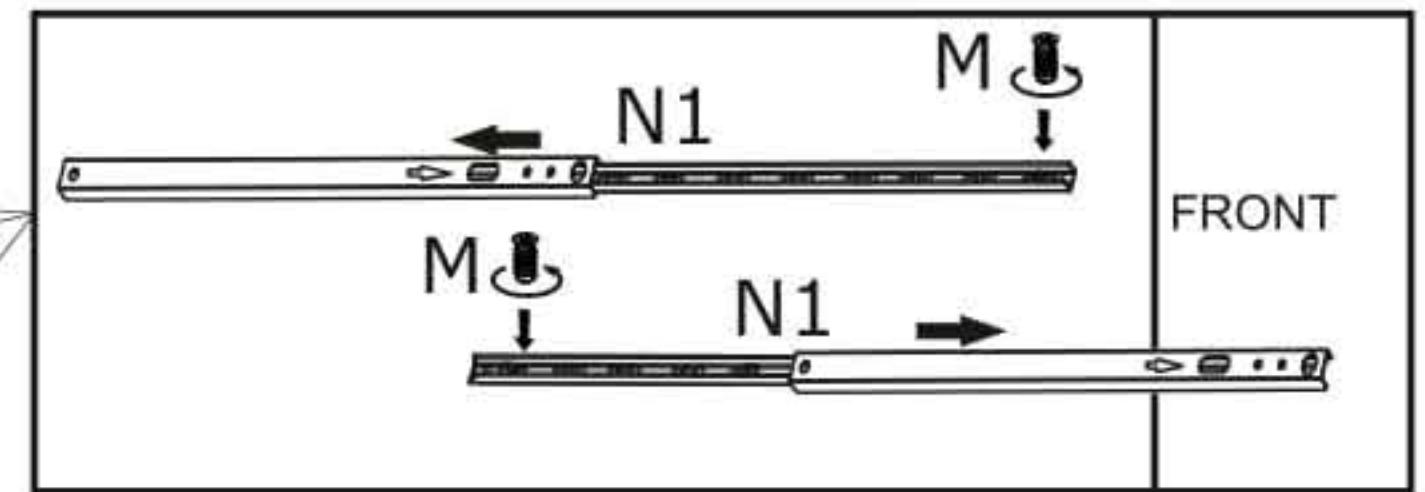
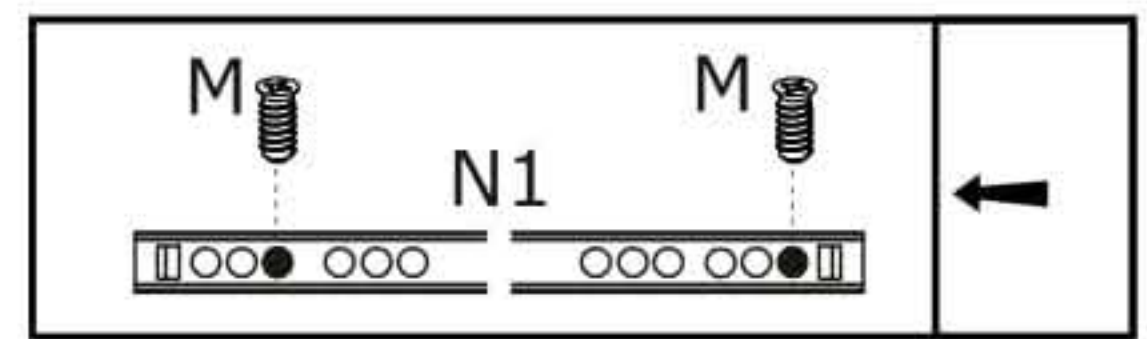
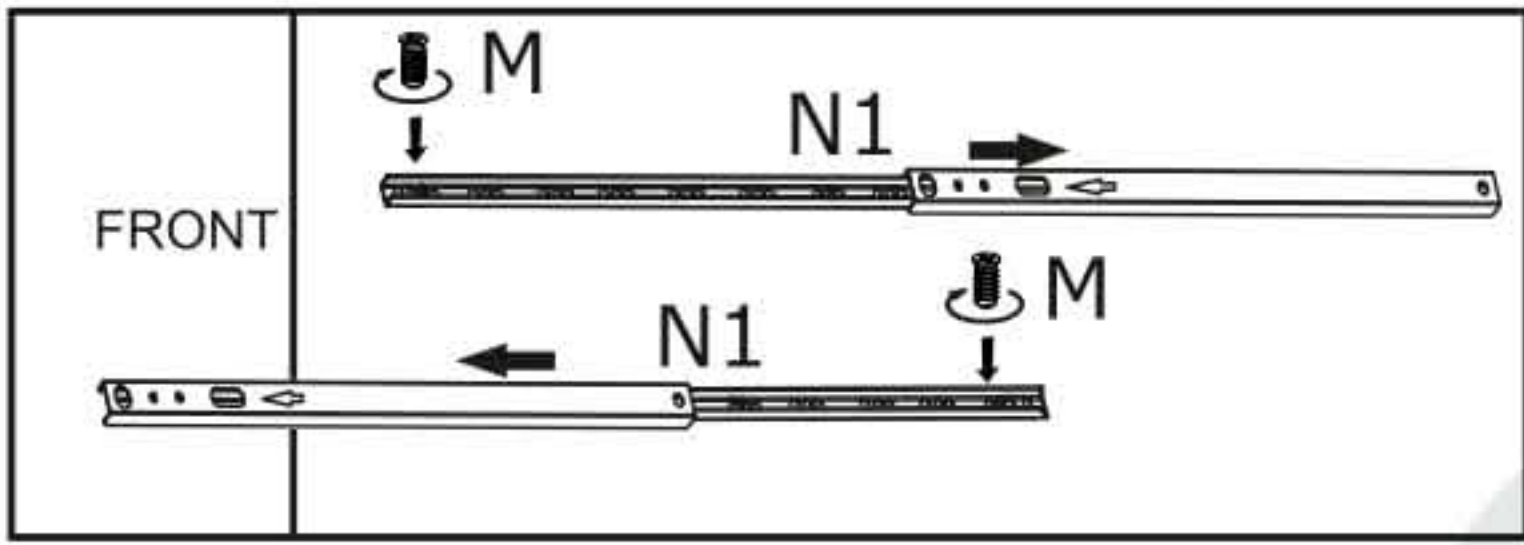
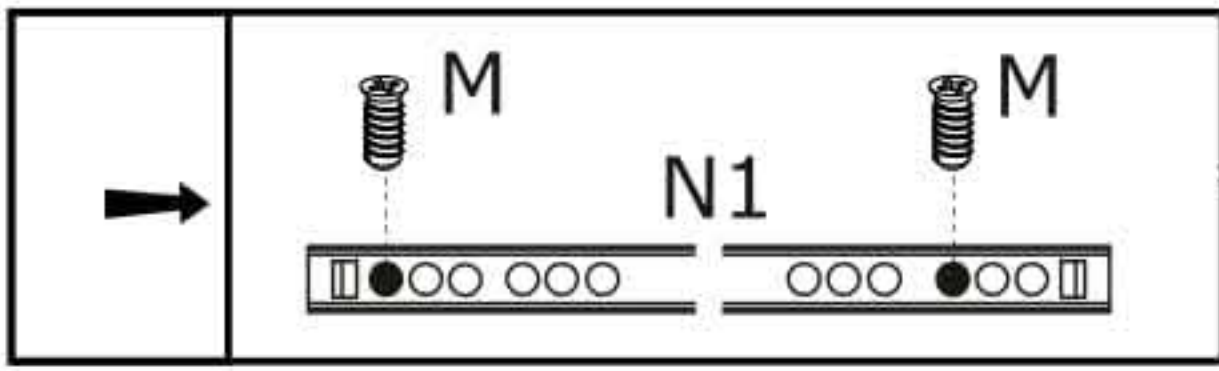
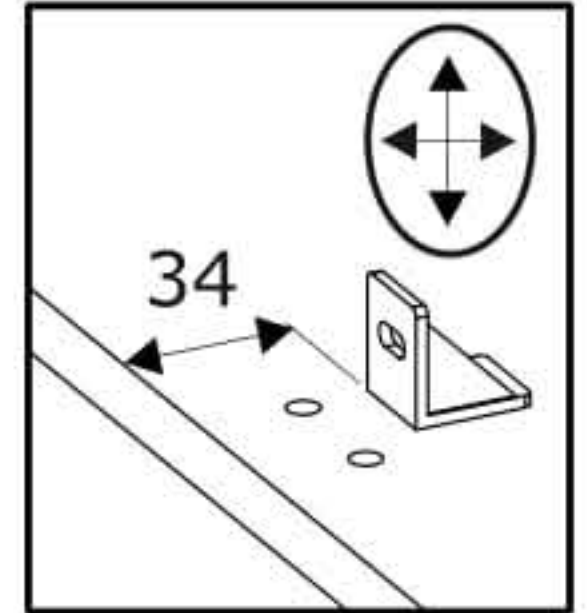
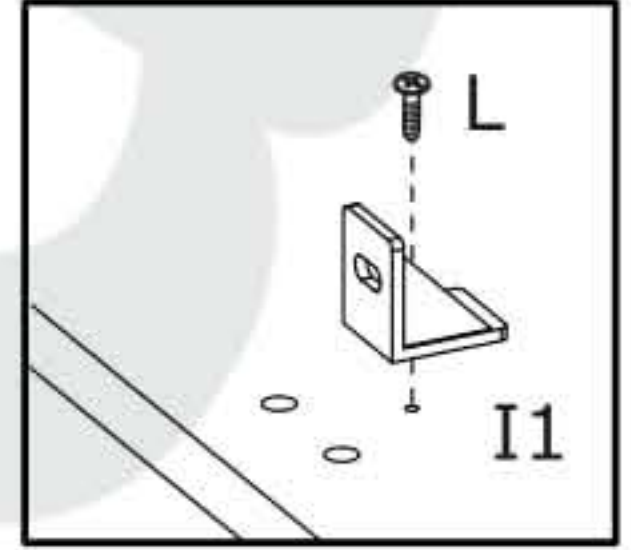
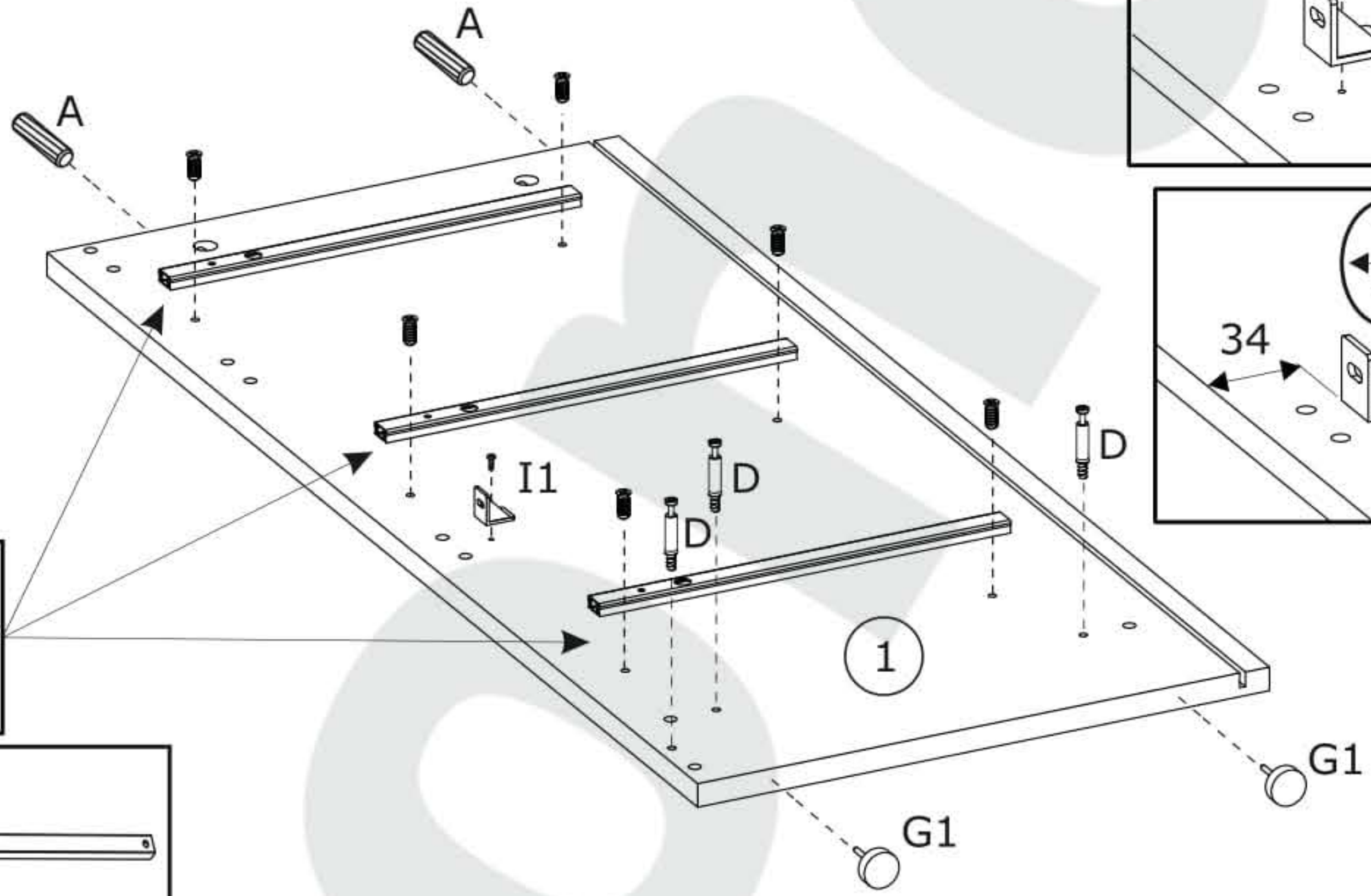
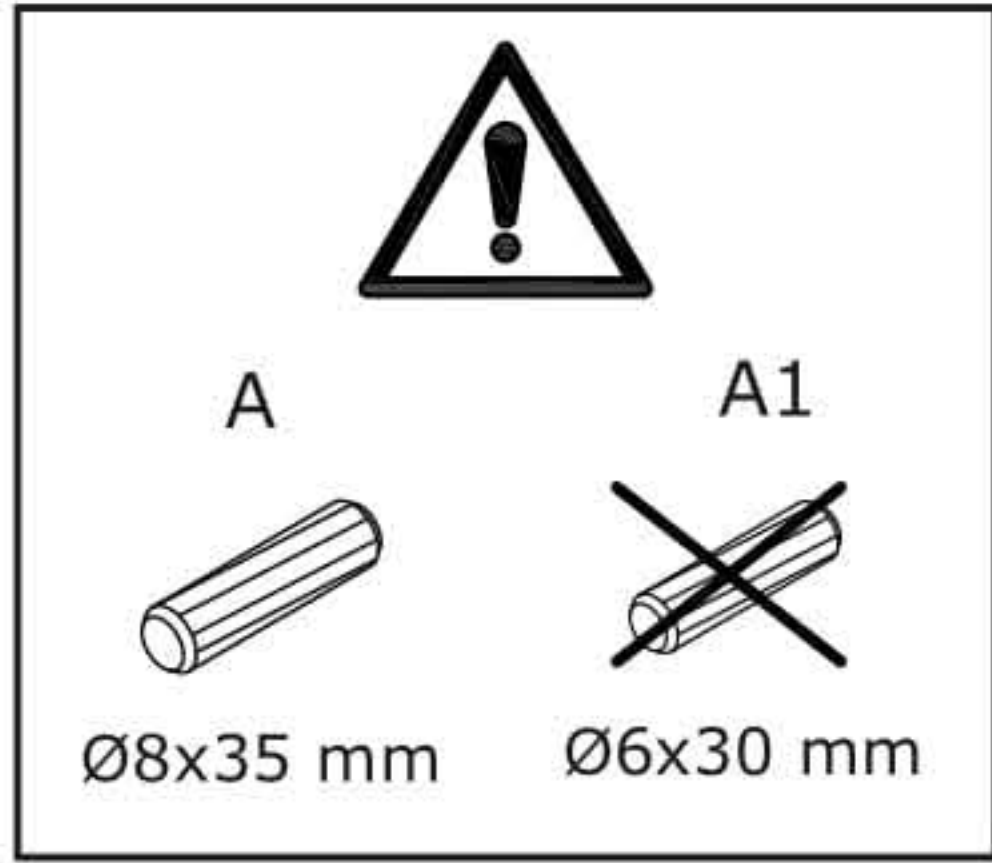
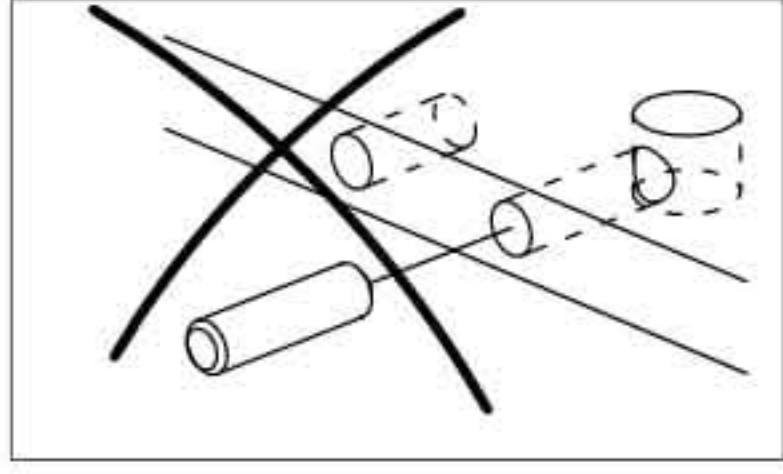
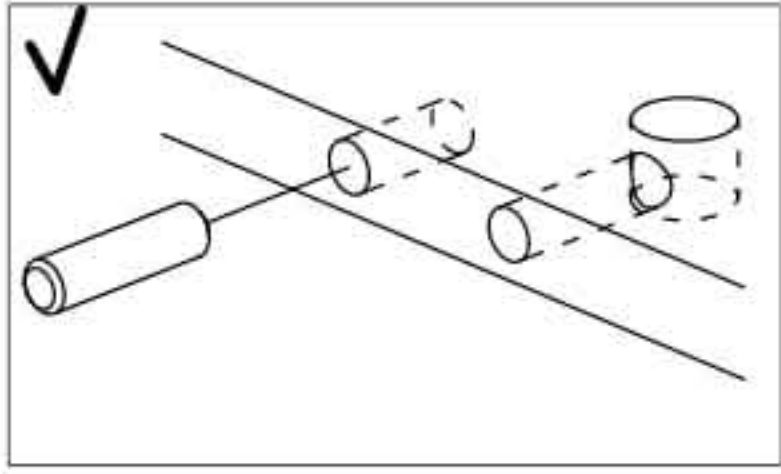


920x145x12 mm

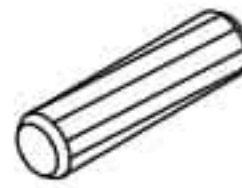


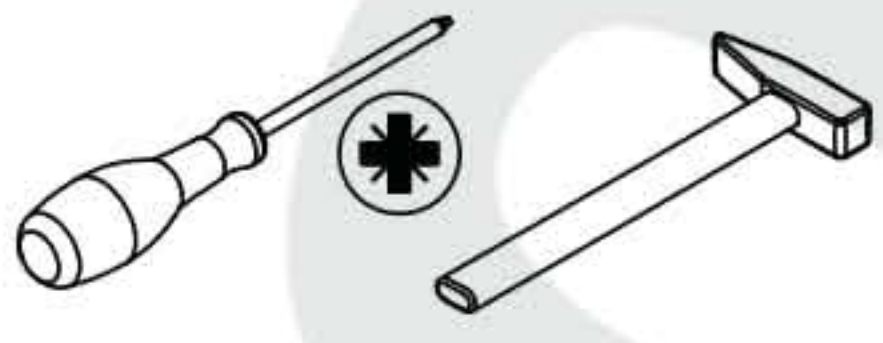


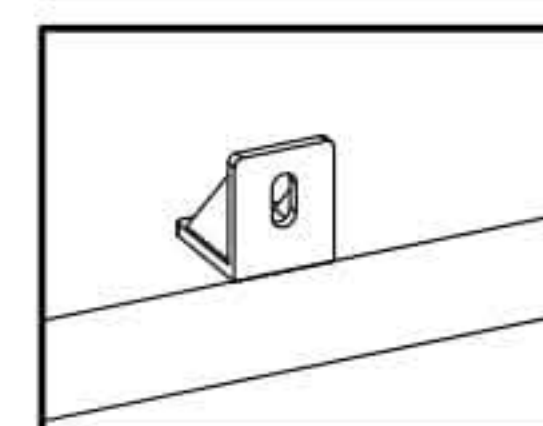
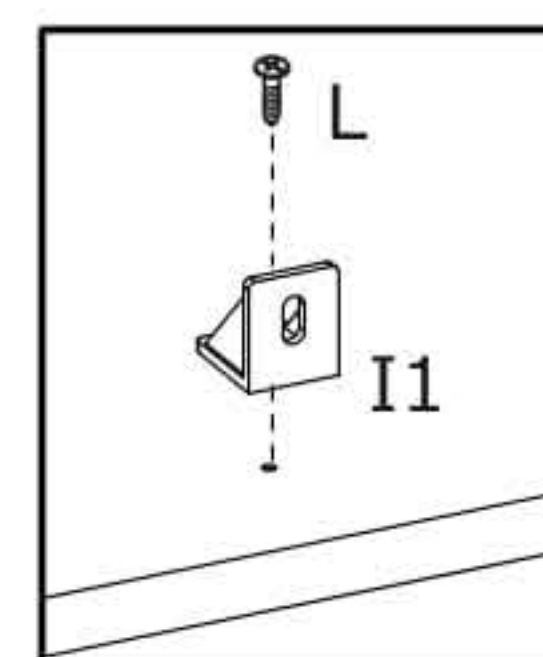
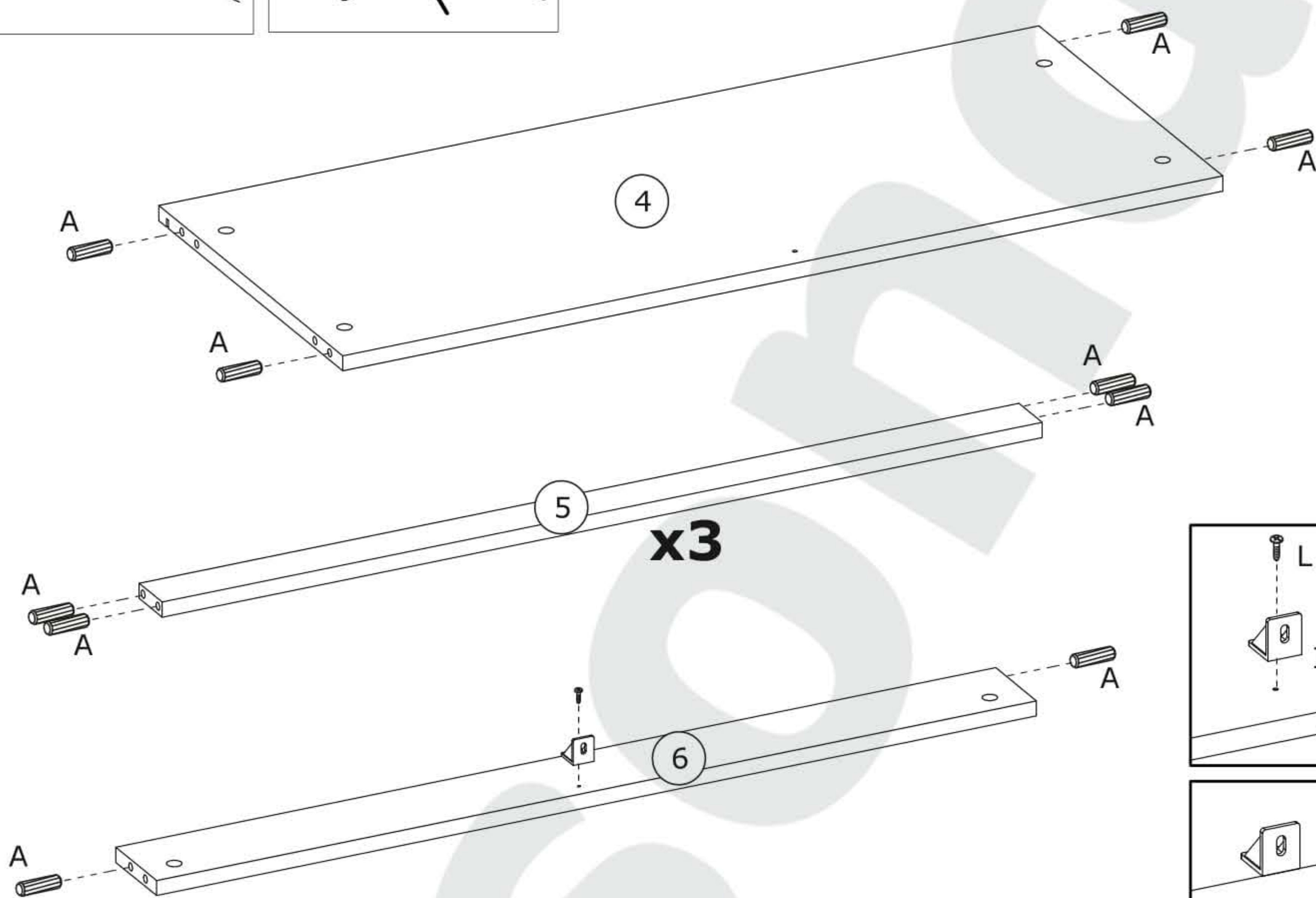
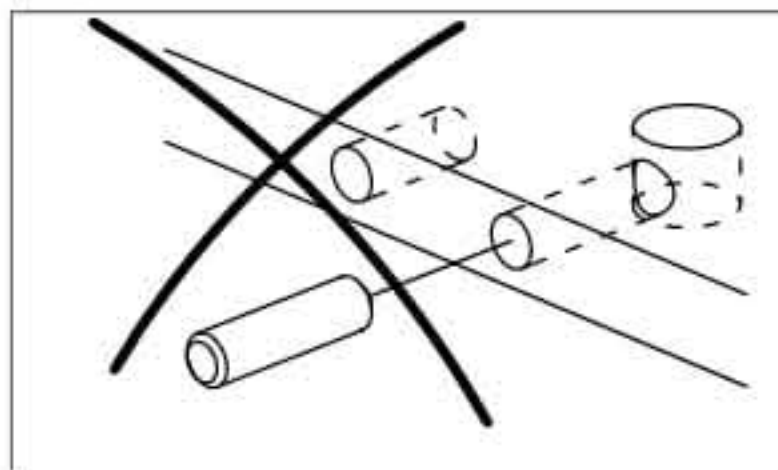
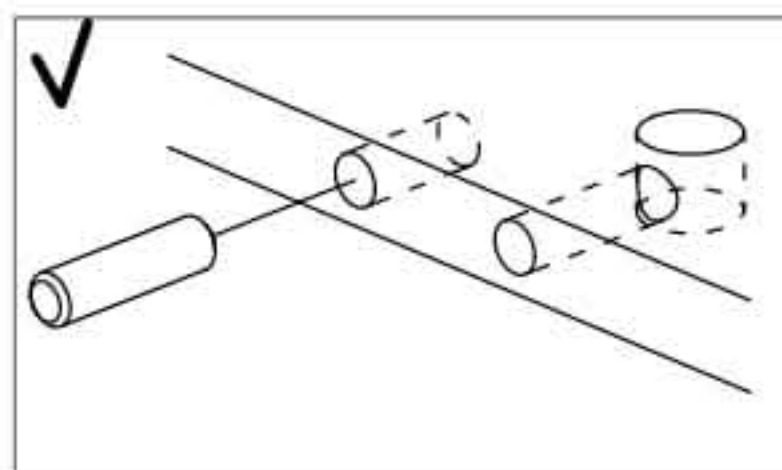
1

A x 4  Ø8x35 mm	G1 x 4 	I1 x 2 	L x 2  4x16 mm	M x 12  Ø6,3x13 mm	N1 x 6  310 mm
--	---	---	---	---	---

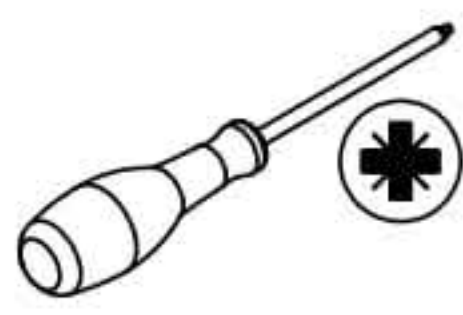


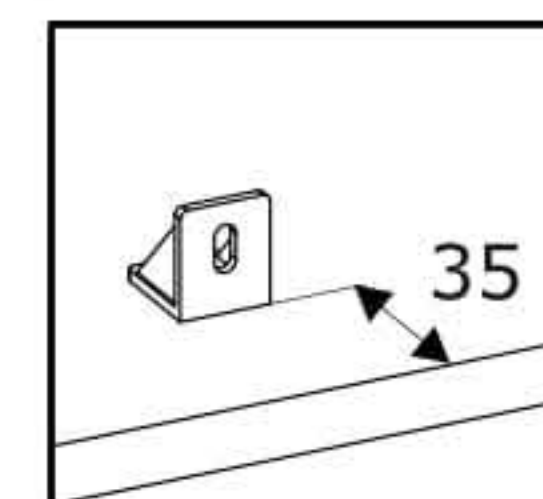
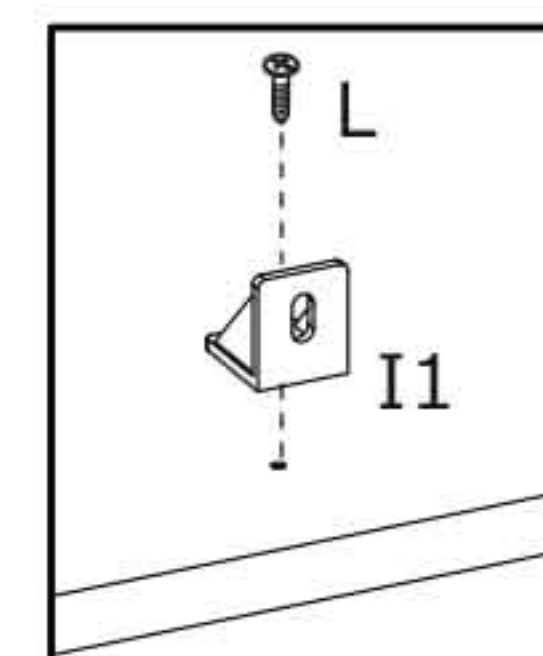
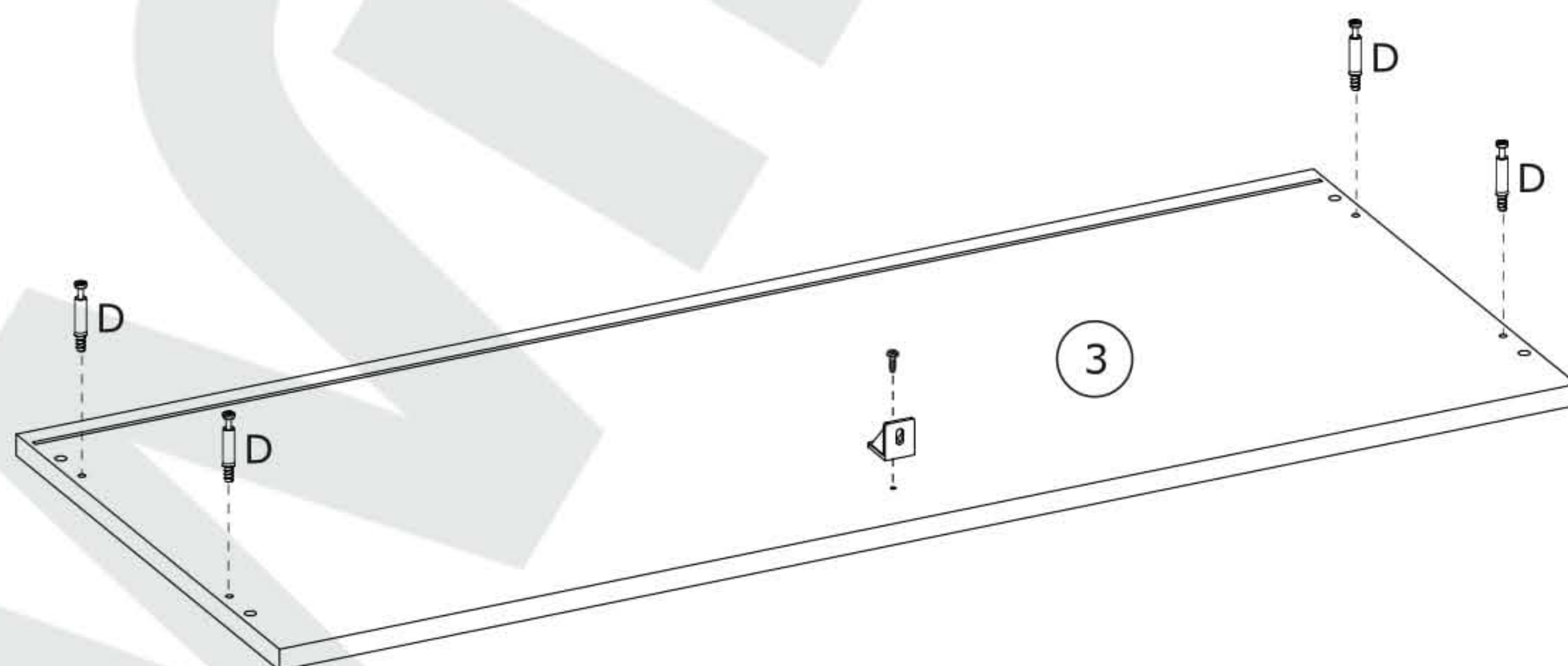
2

A x 18  Ø8x35 mm	I1 x 1 	L x 1  4x16 mm	
---	---	---	---



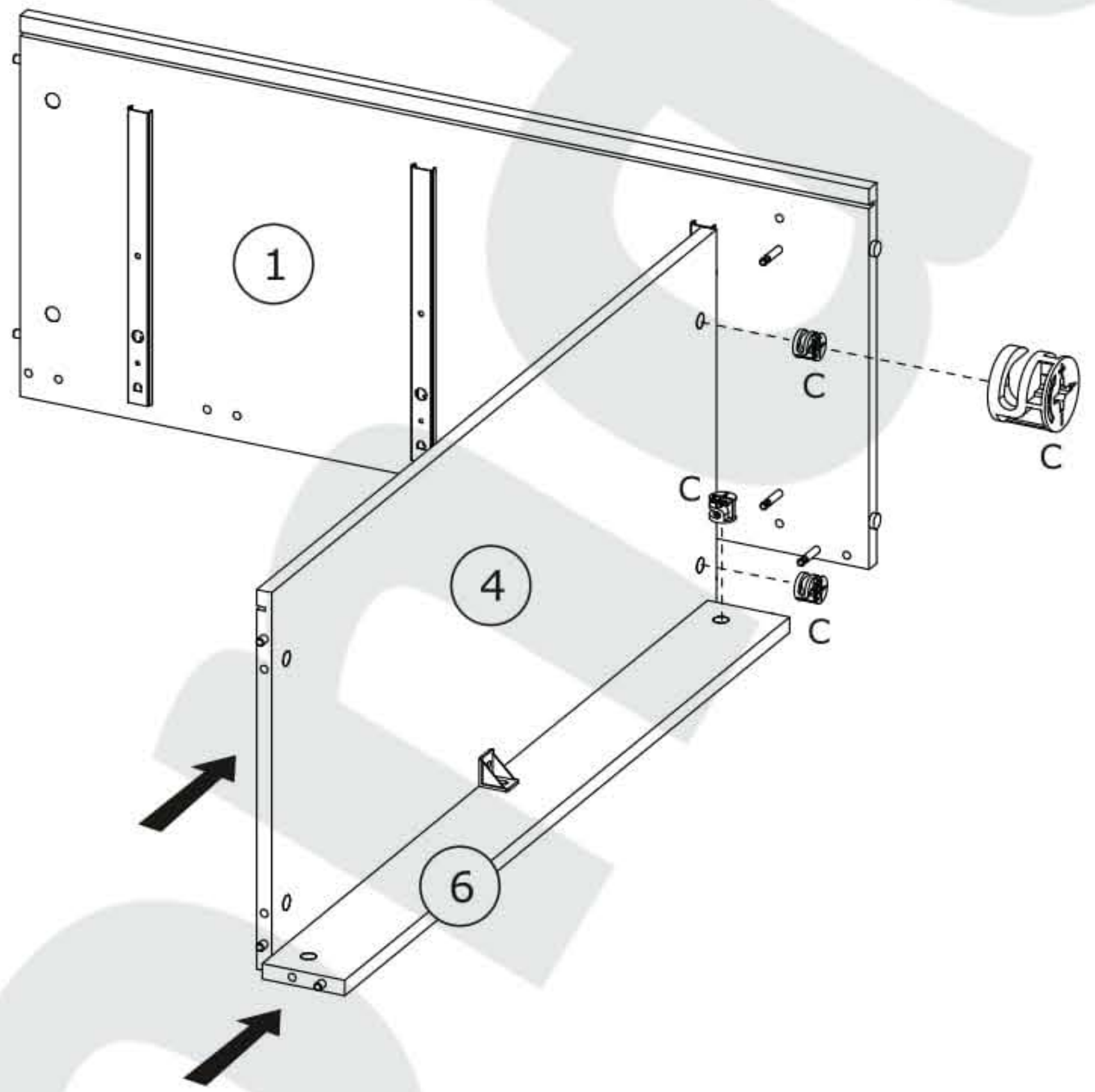
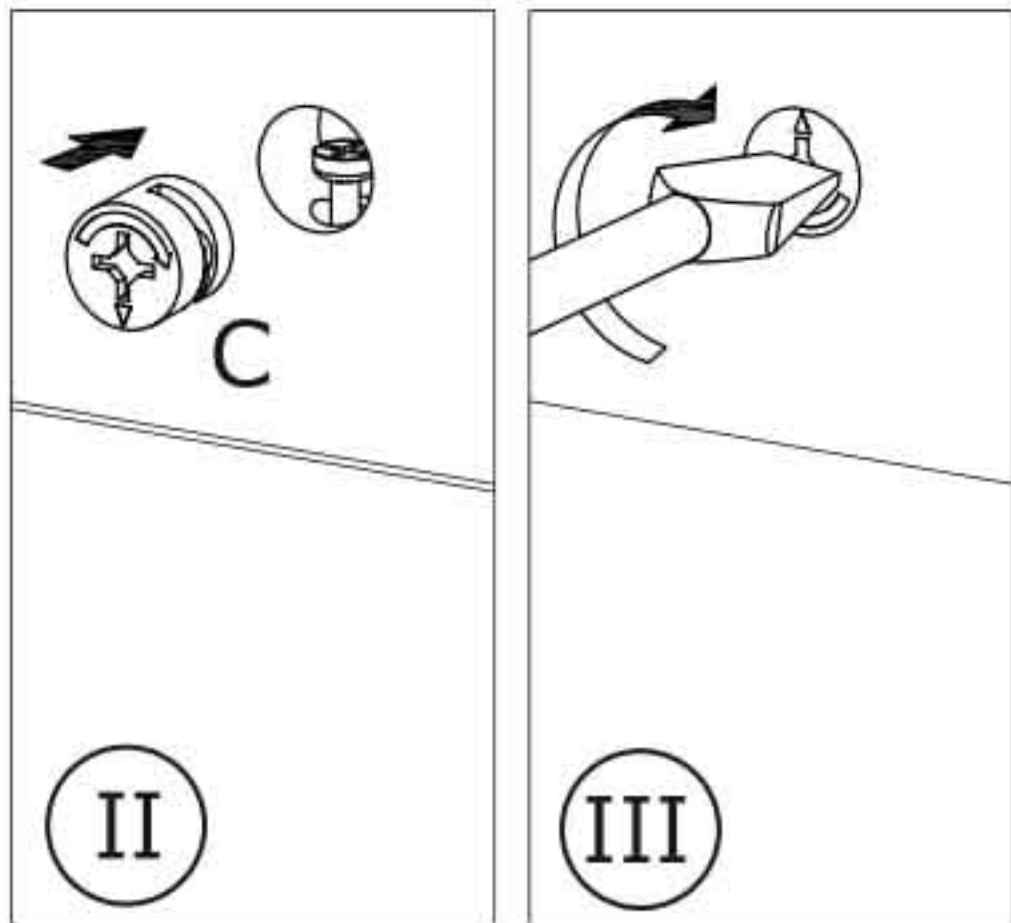
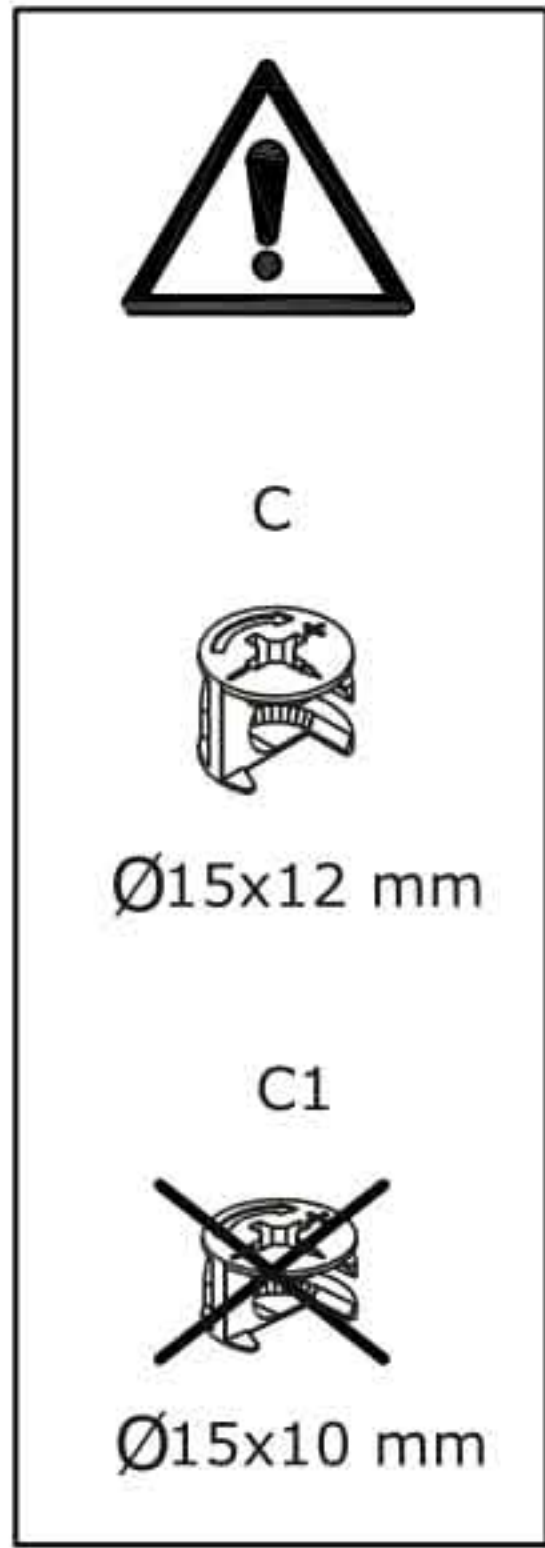
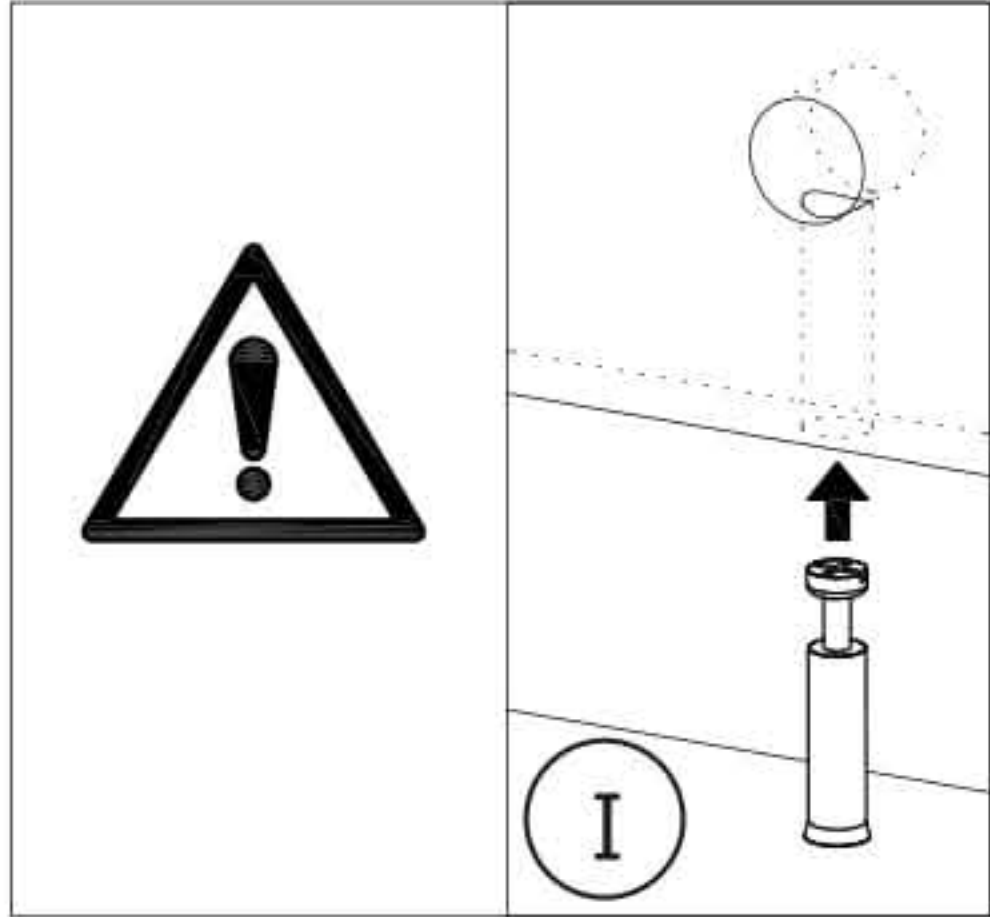
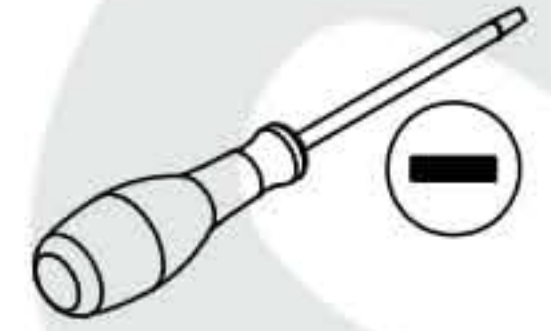
3

D x 4  Ø5x44 mm	I1 x 1 	L x 1  4x16 mm	
--	---	---	---

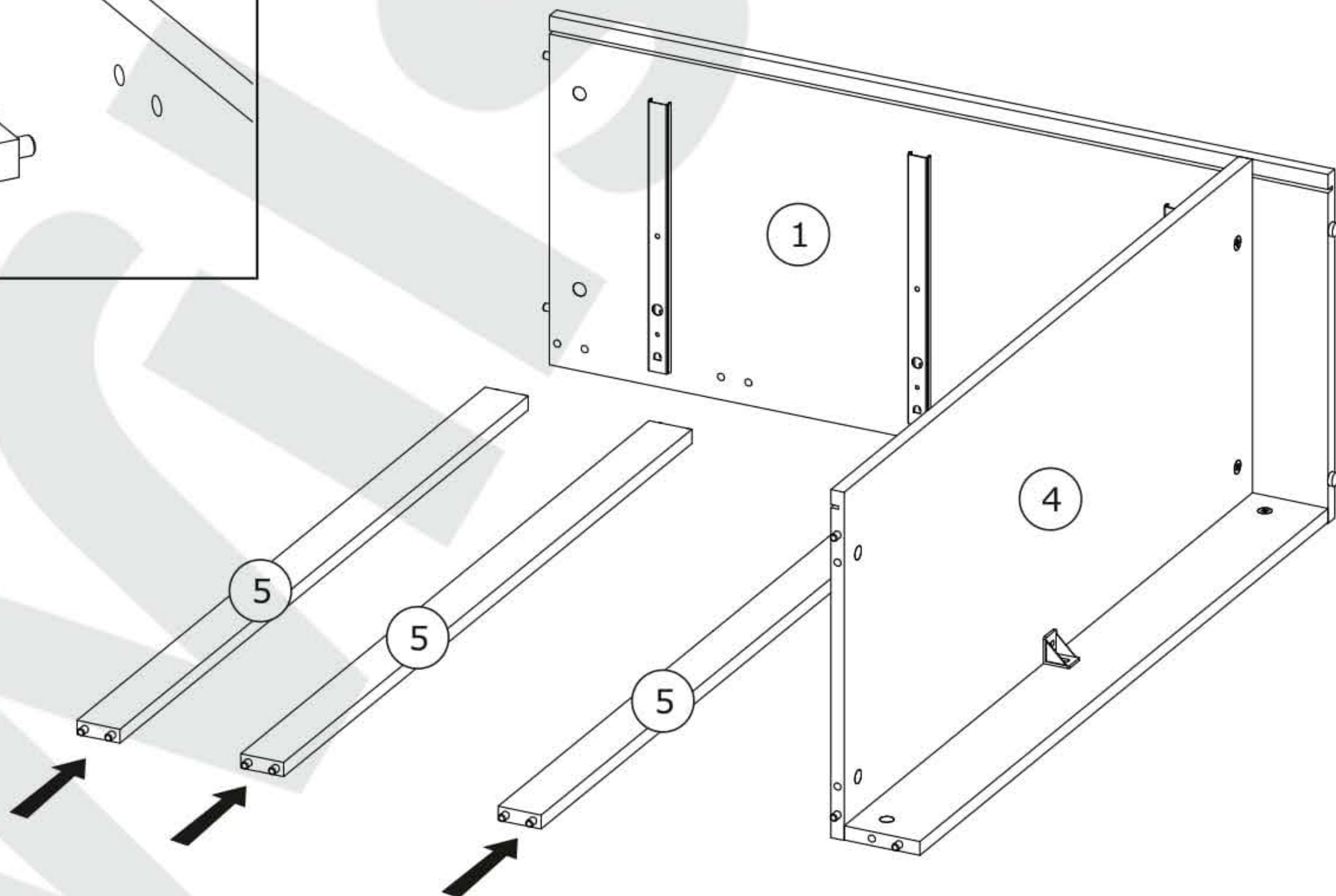
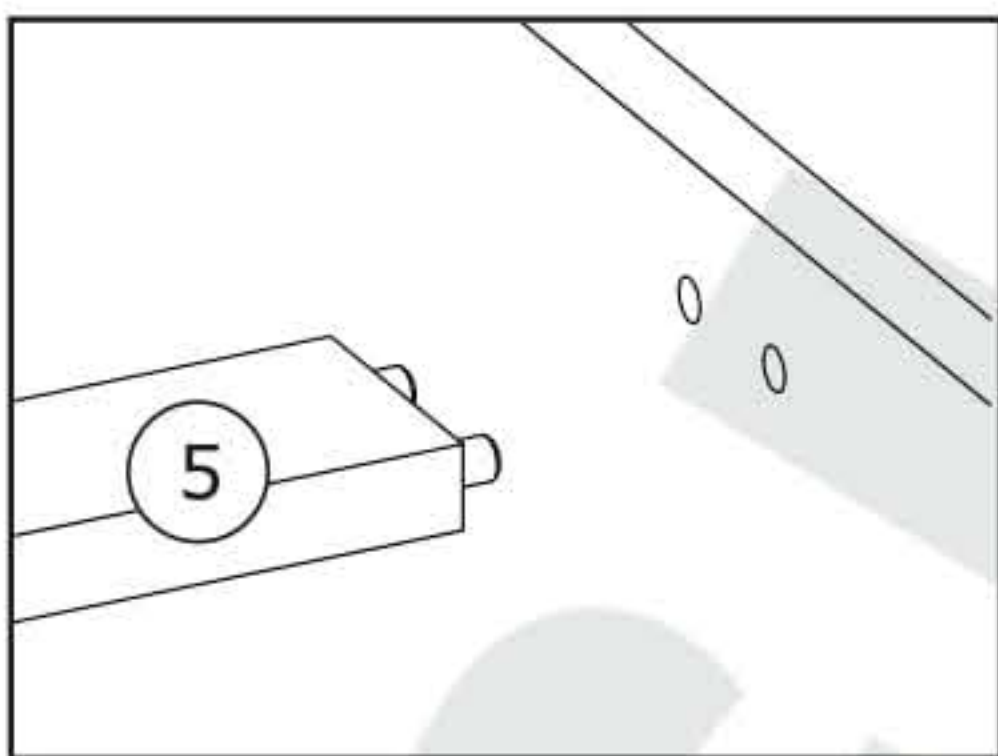


4

C x 3
Ø15x12 mm

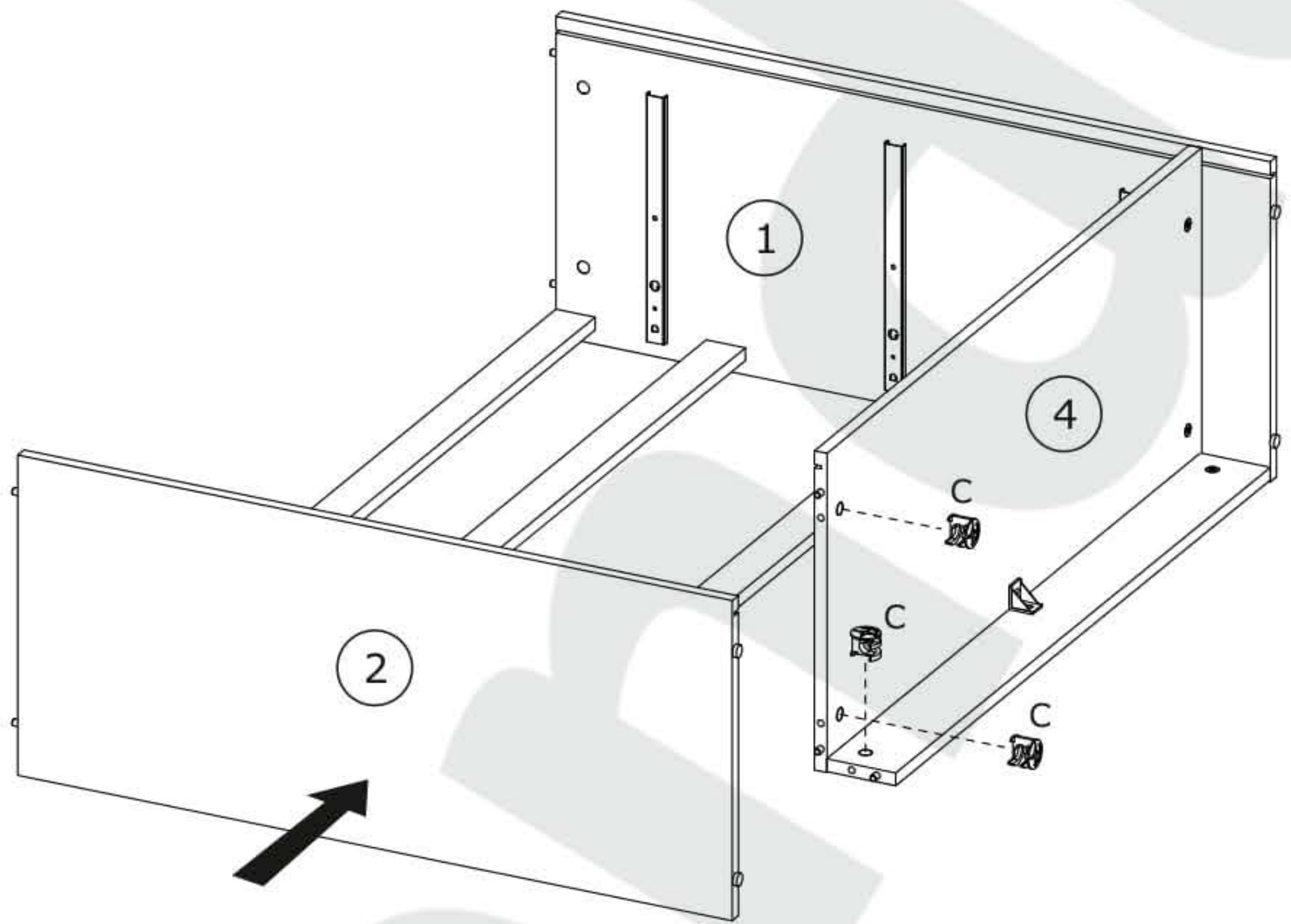
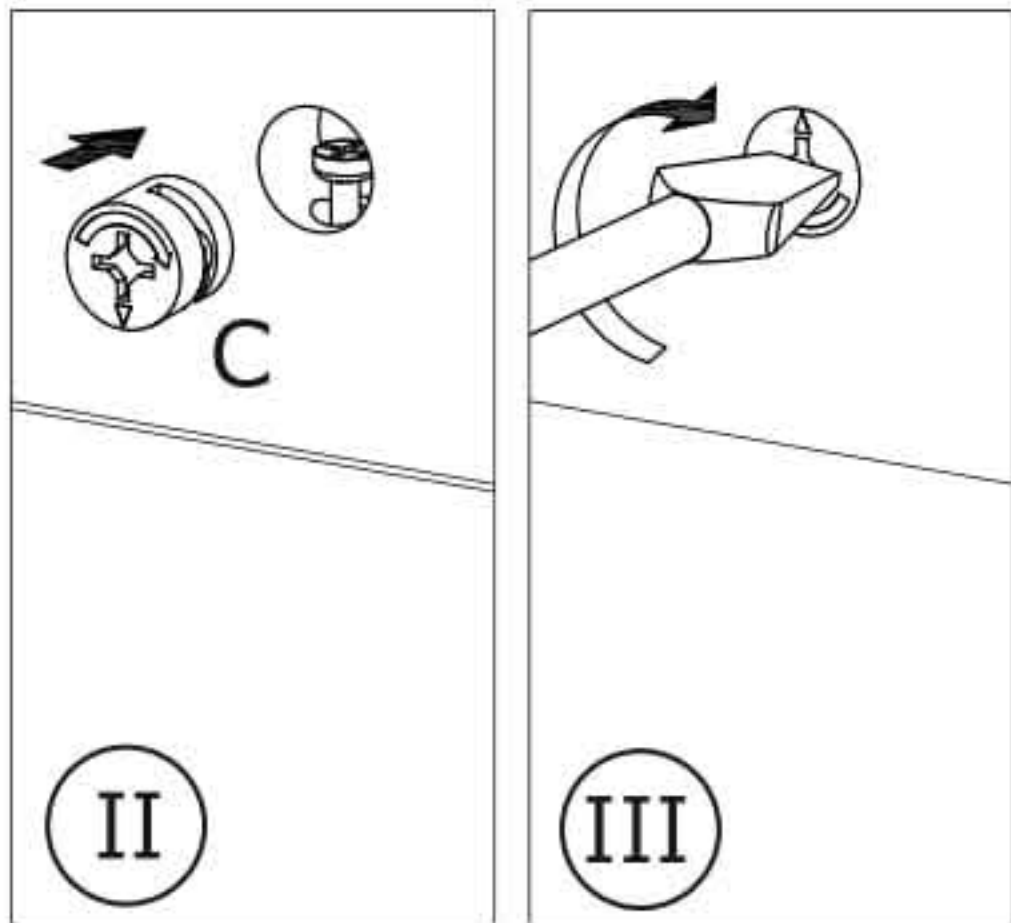
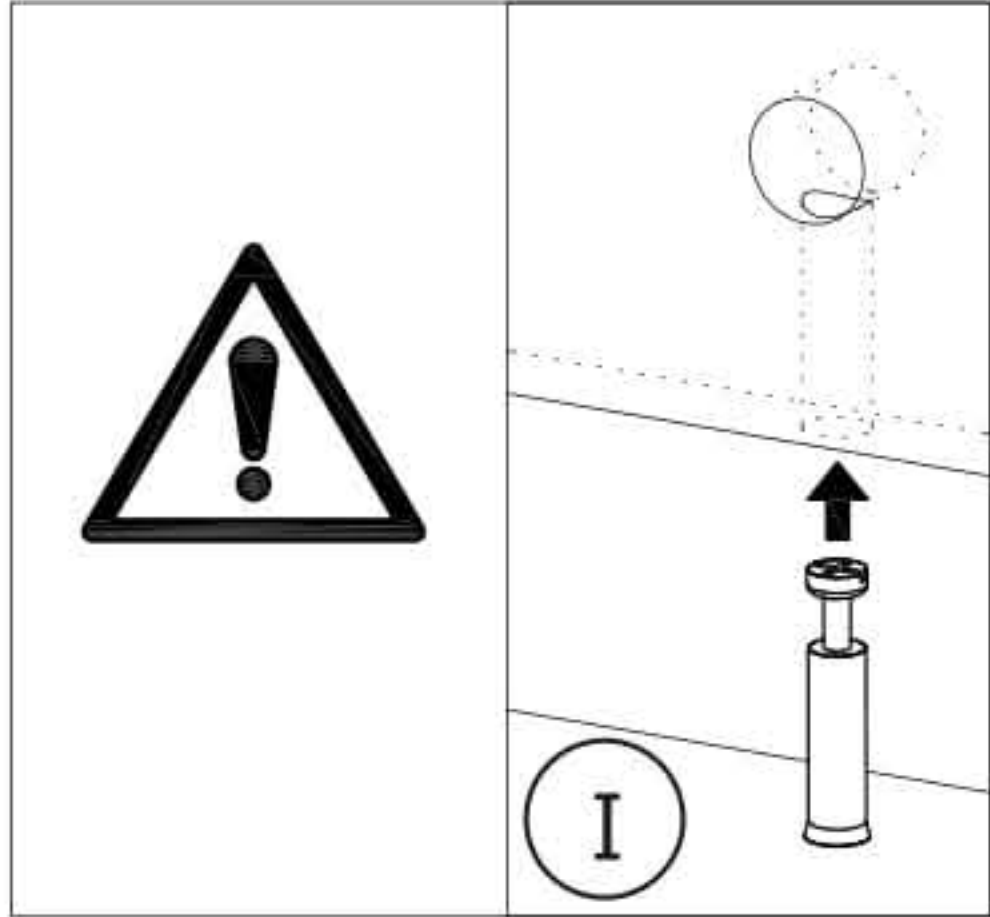
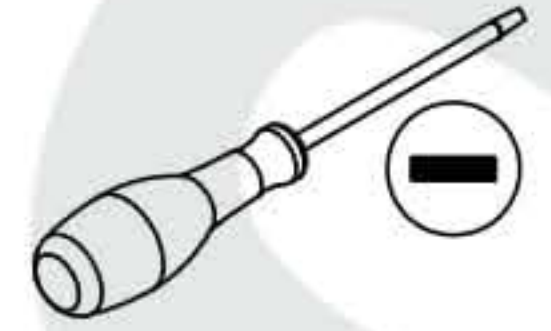


5



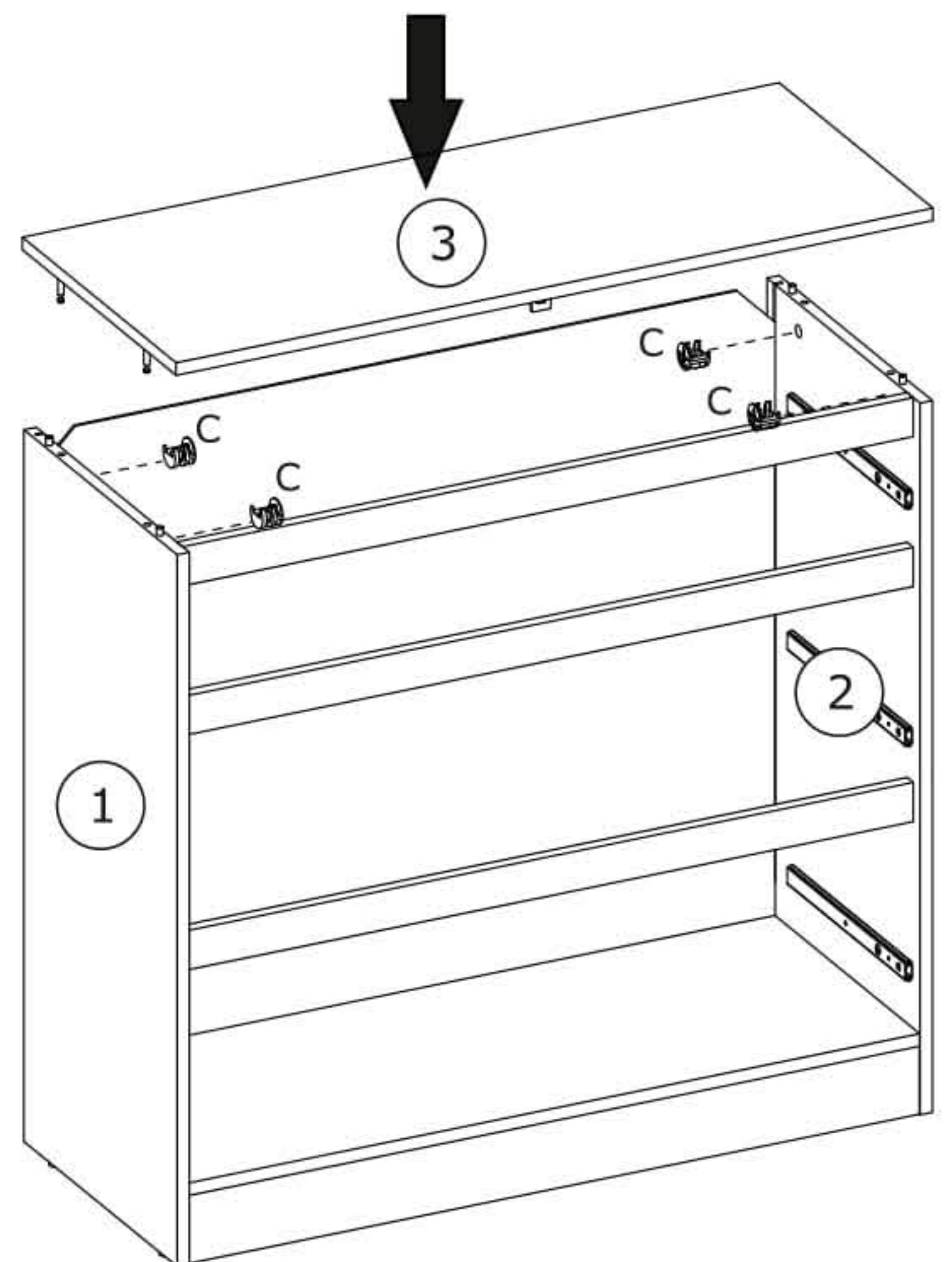
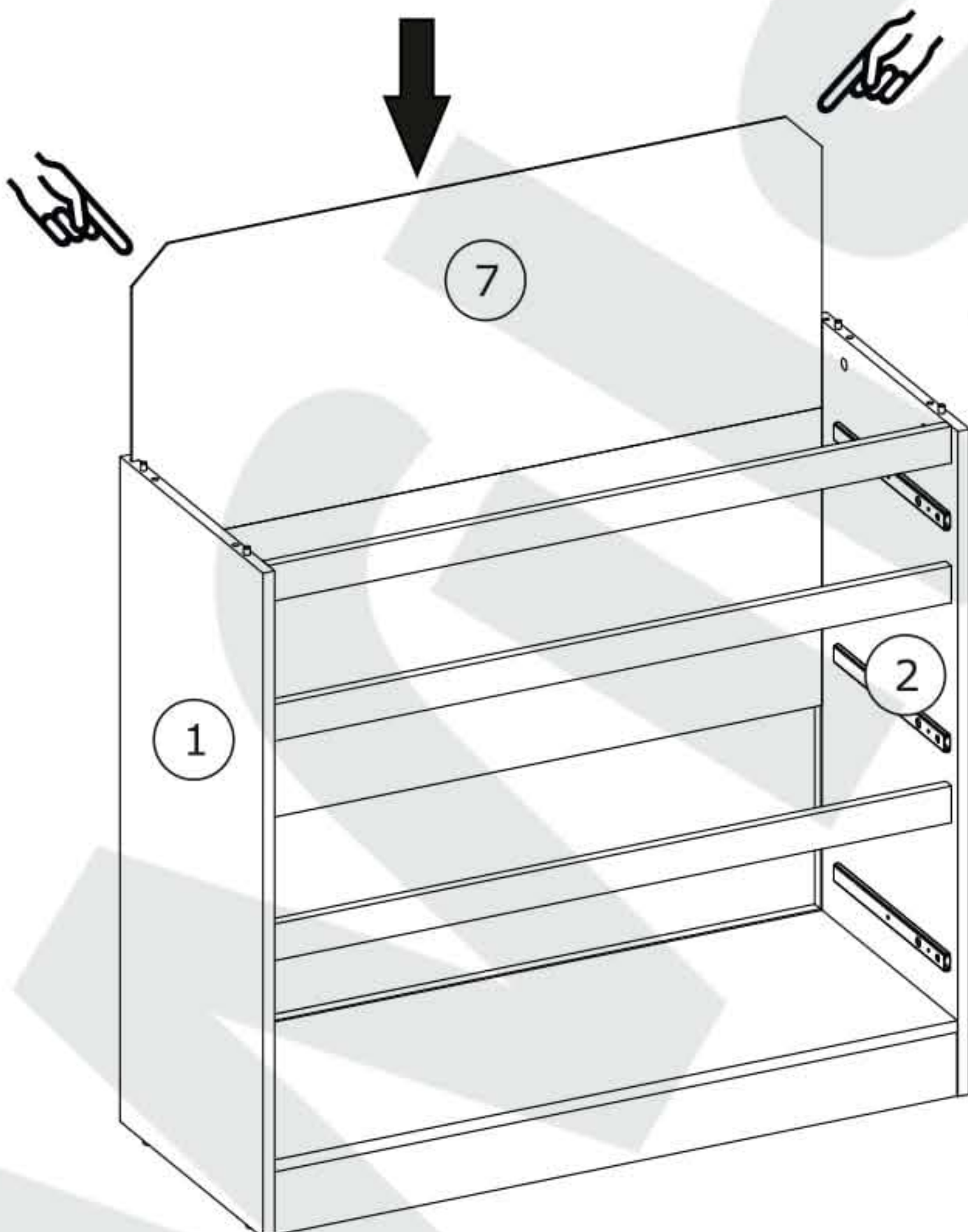
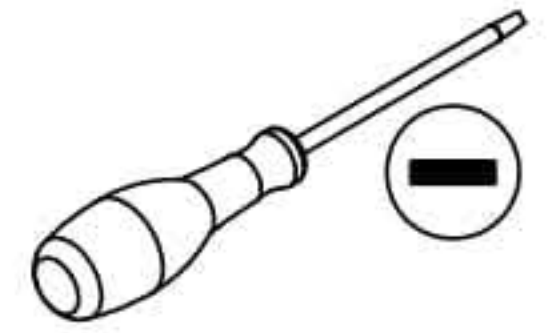
6

C x 3
Ø15x12 mm



7


C x 4
Ø15x12 mm

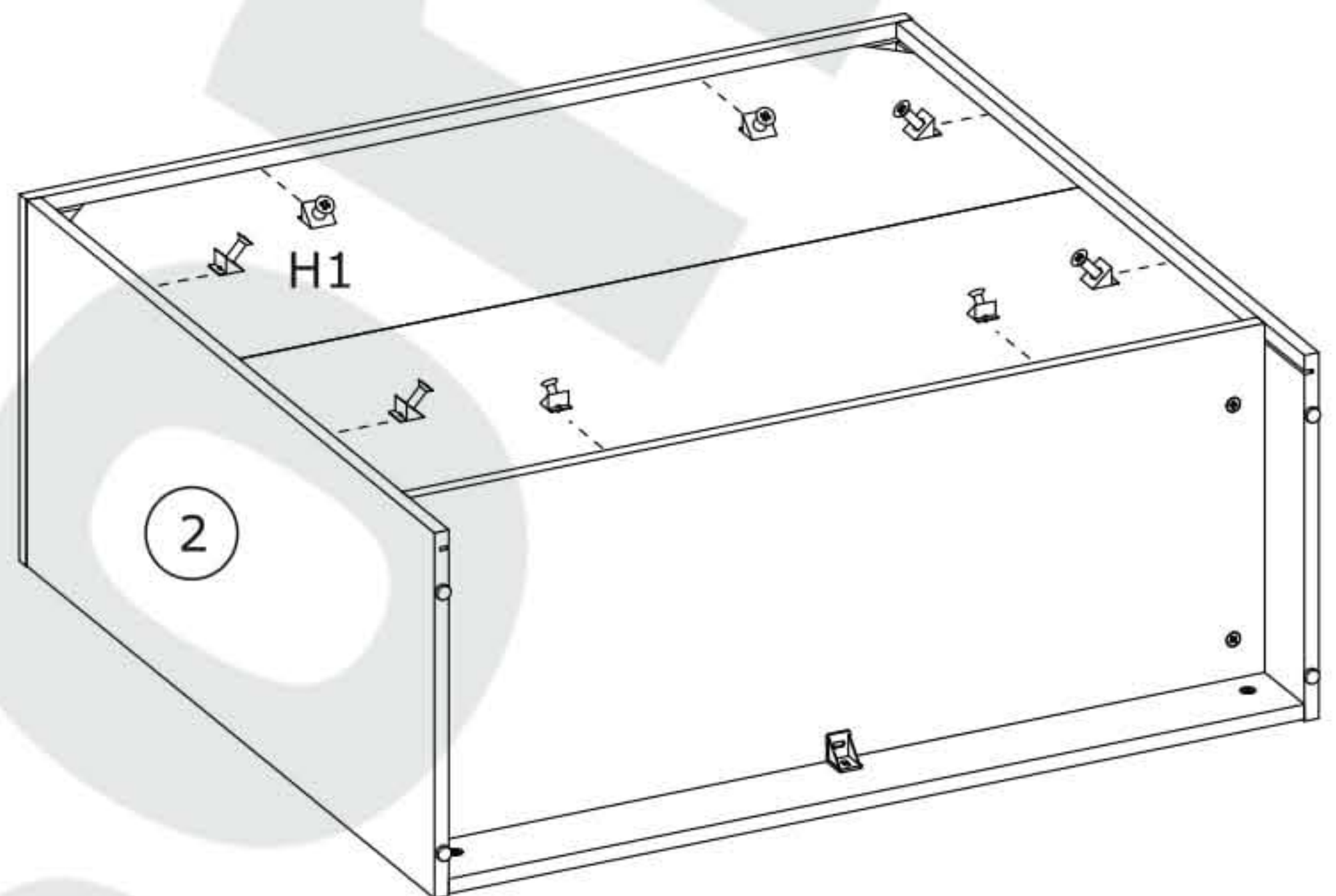
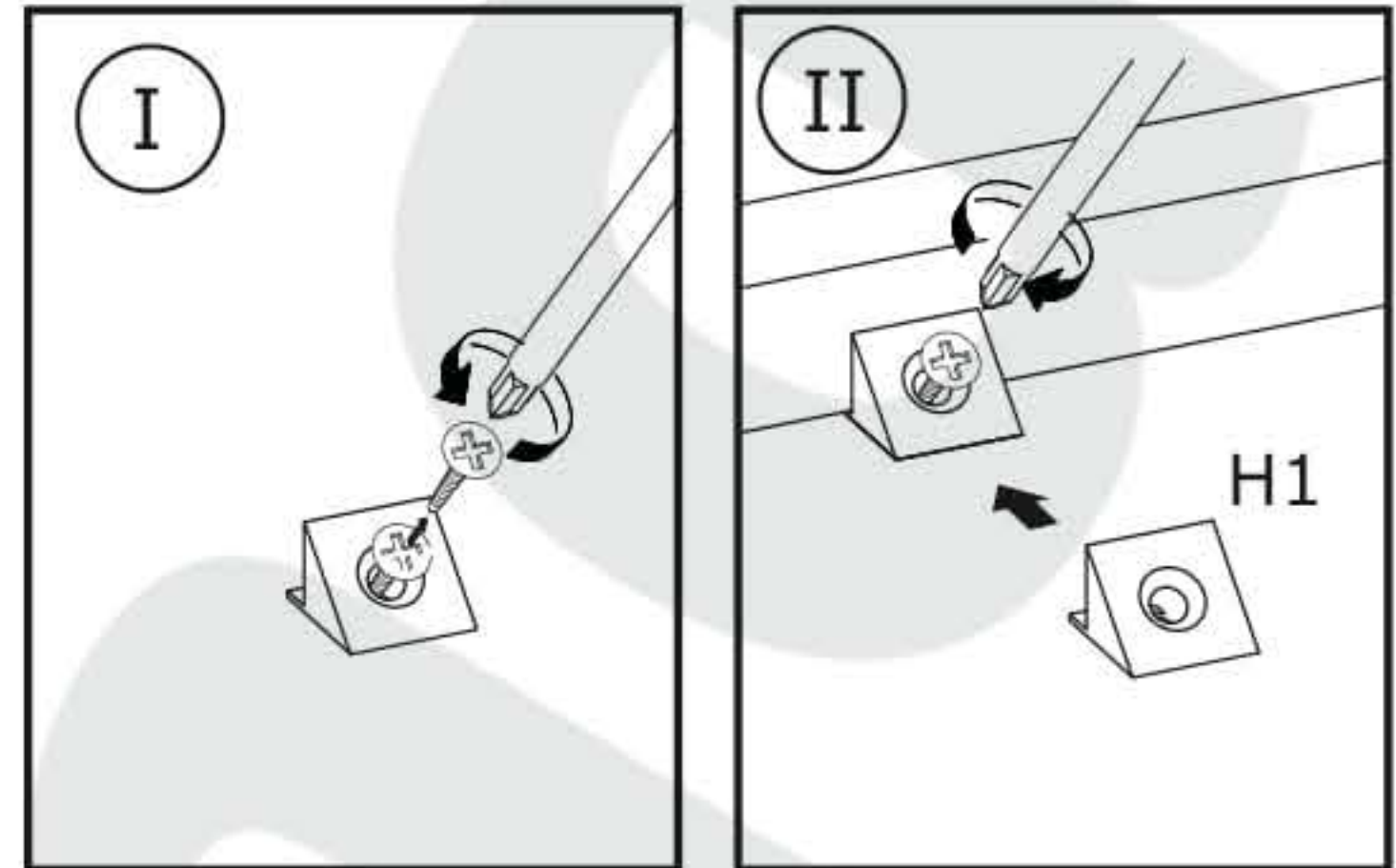
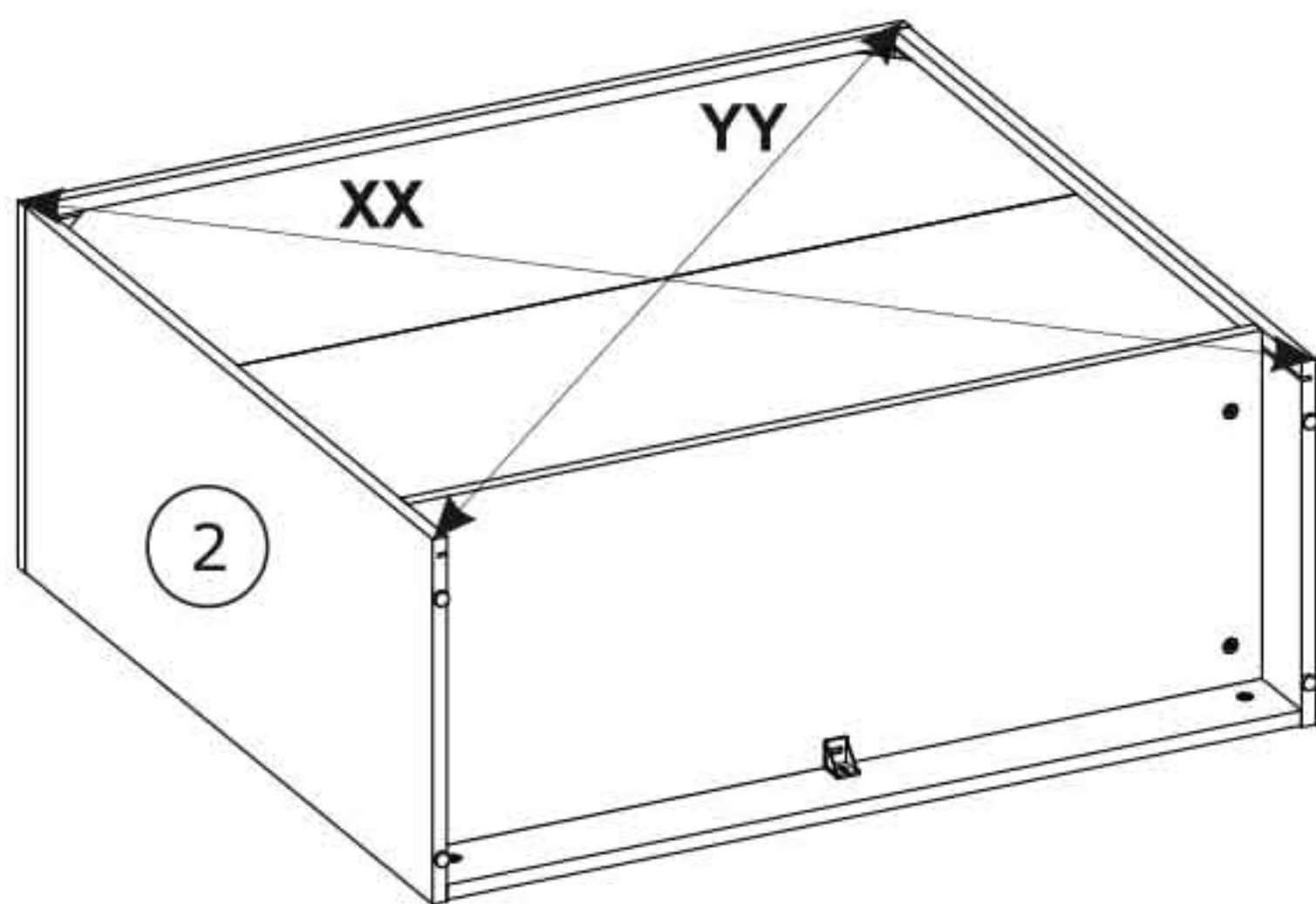


8

H1 x 8	
	
10x10 mm	

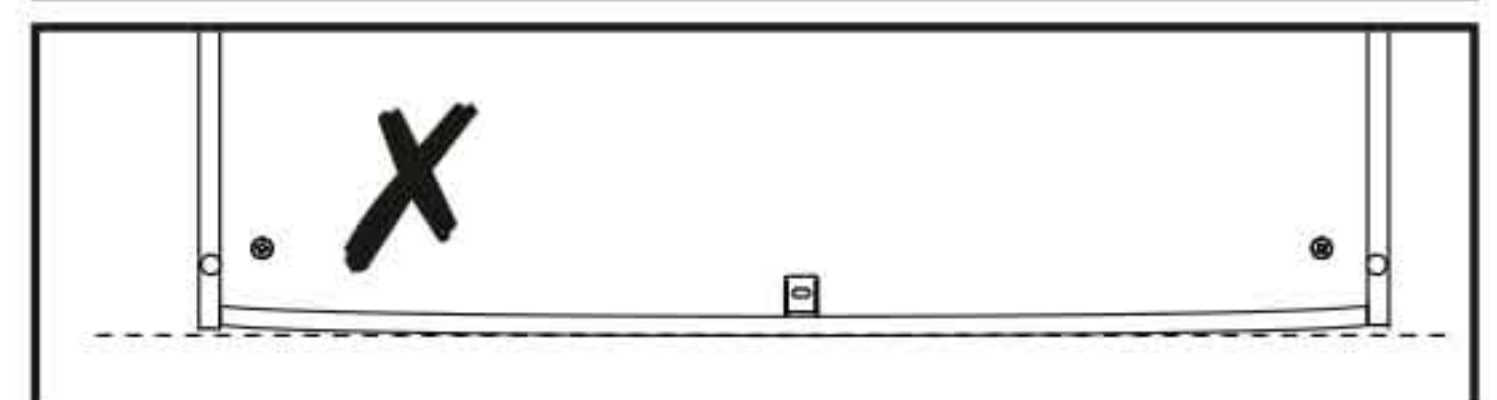
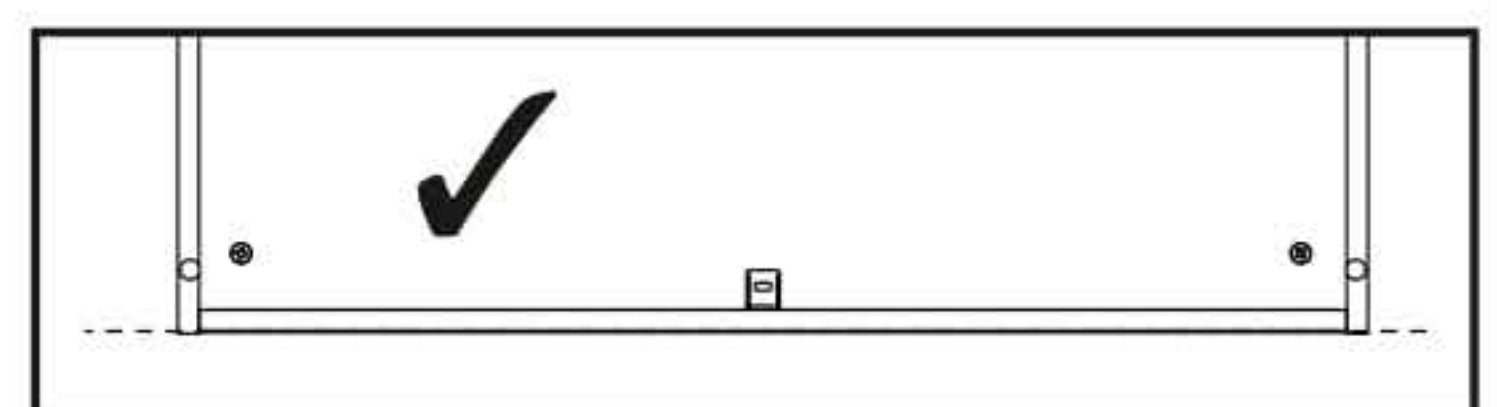
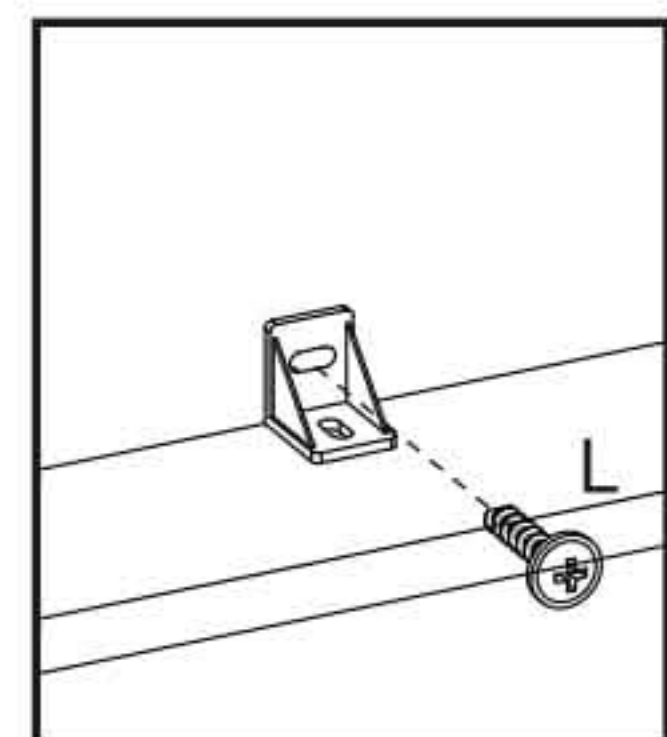
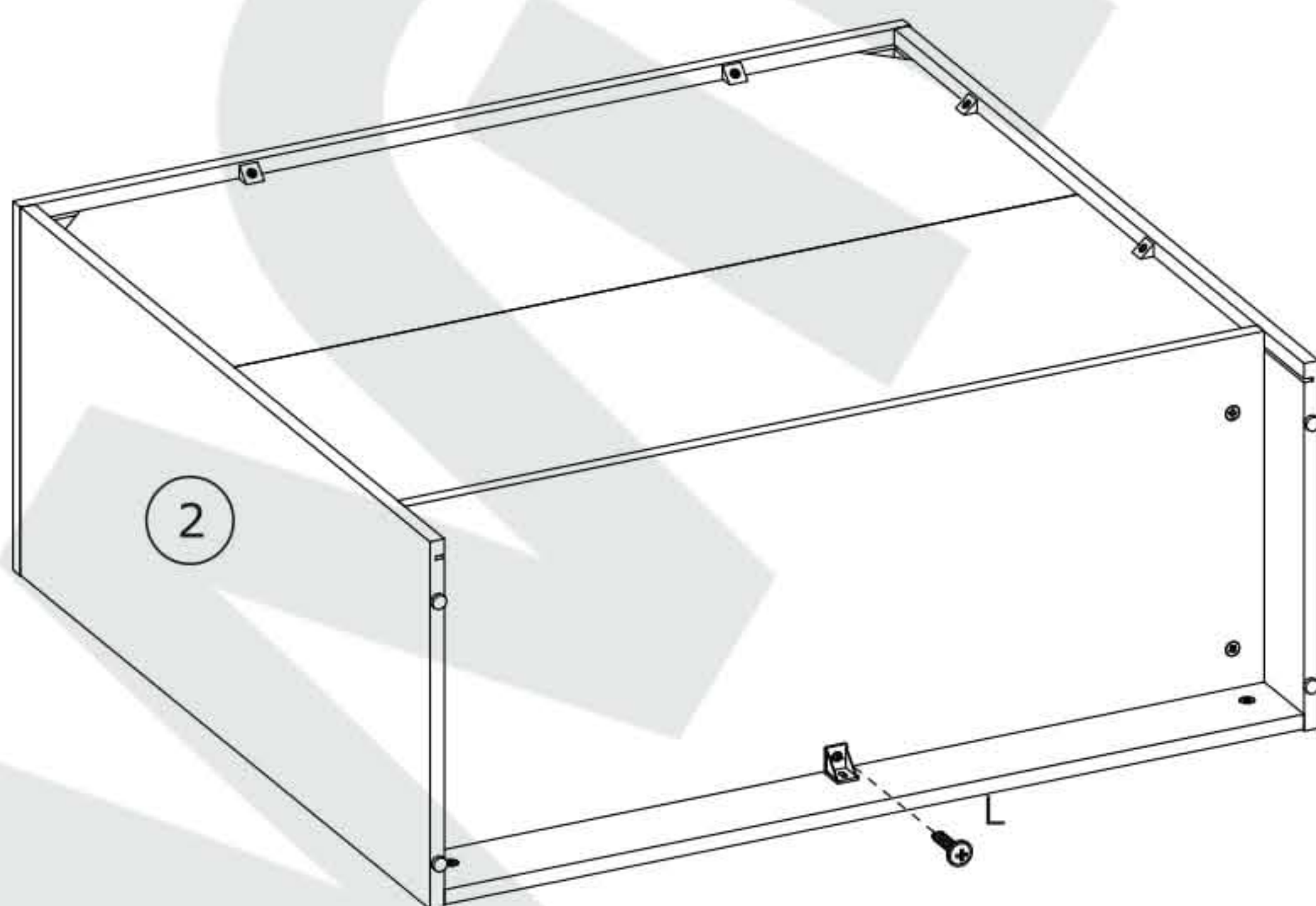


 $XX=YY\equiv 90^\circ$



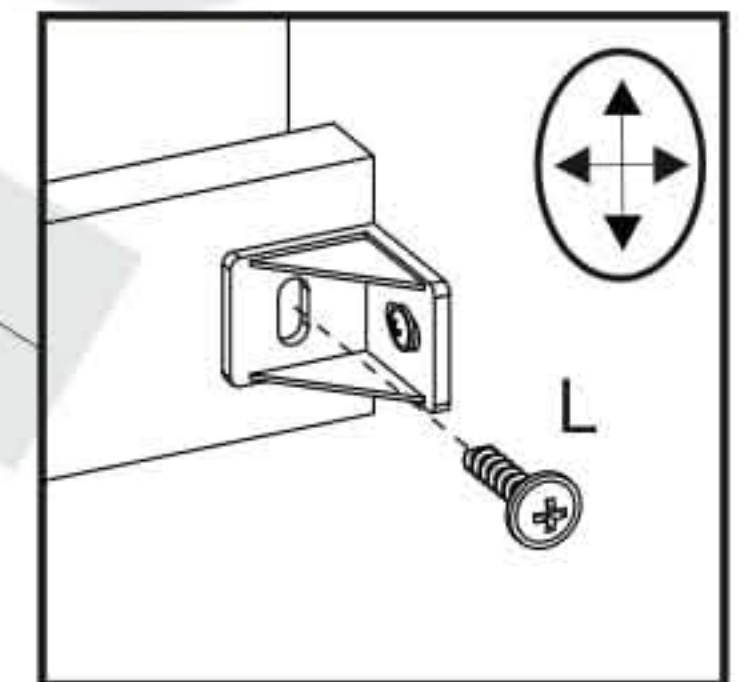
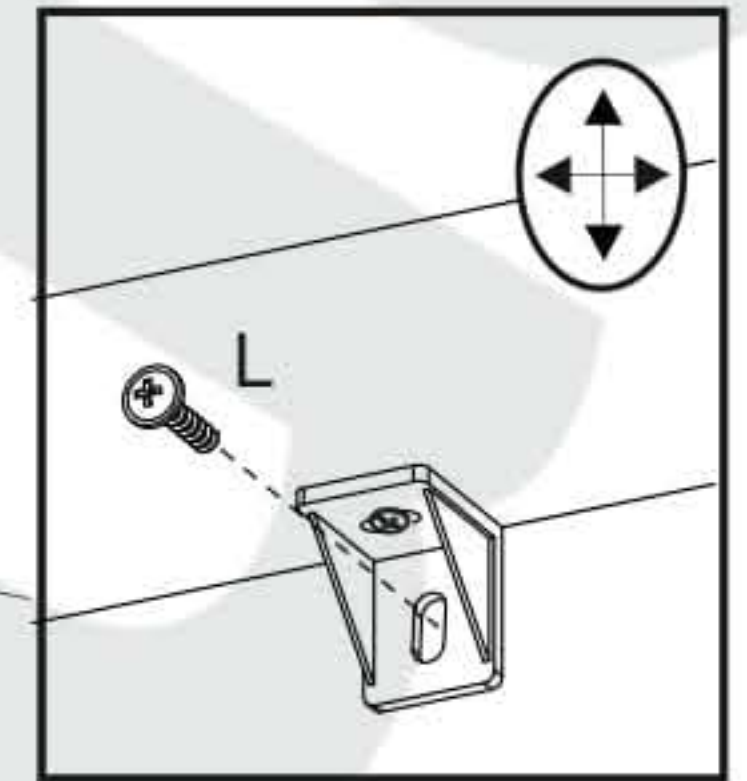
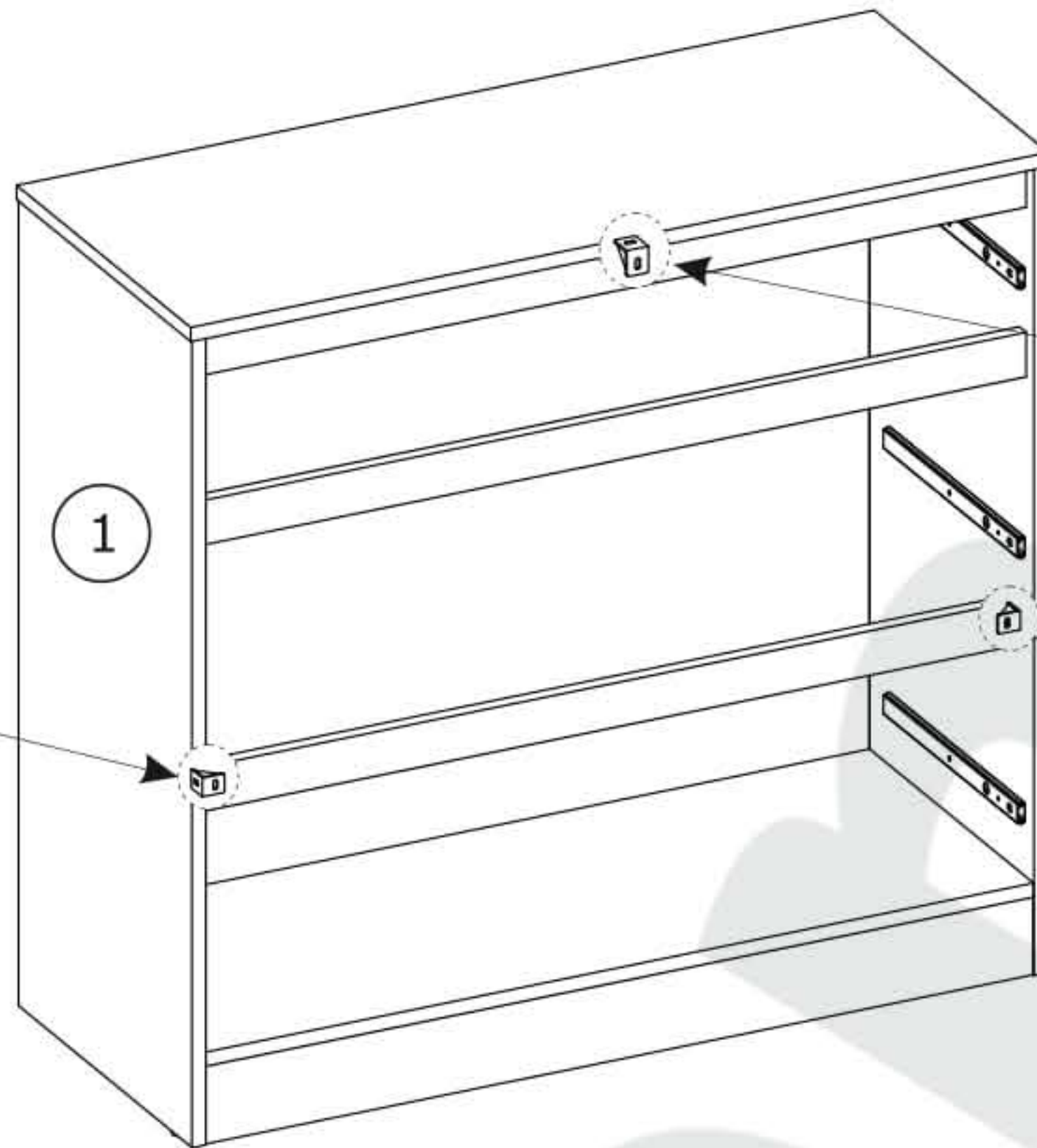
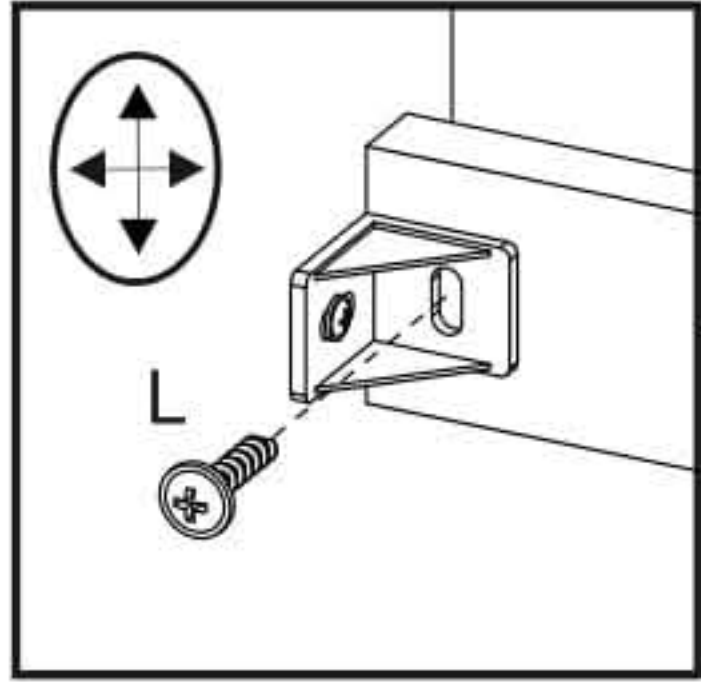
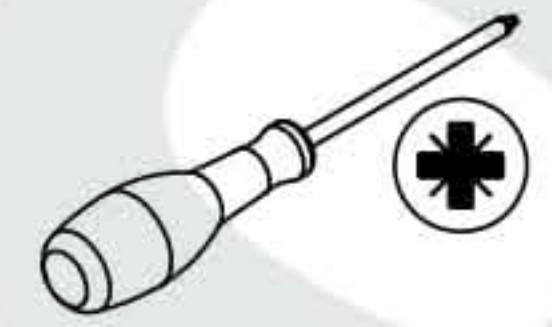
9

L x 1	
	
4x16 mm	



10

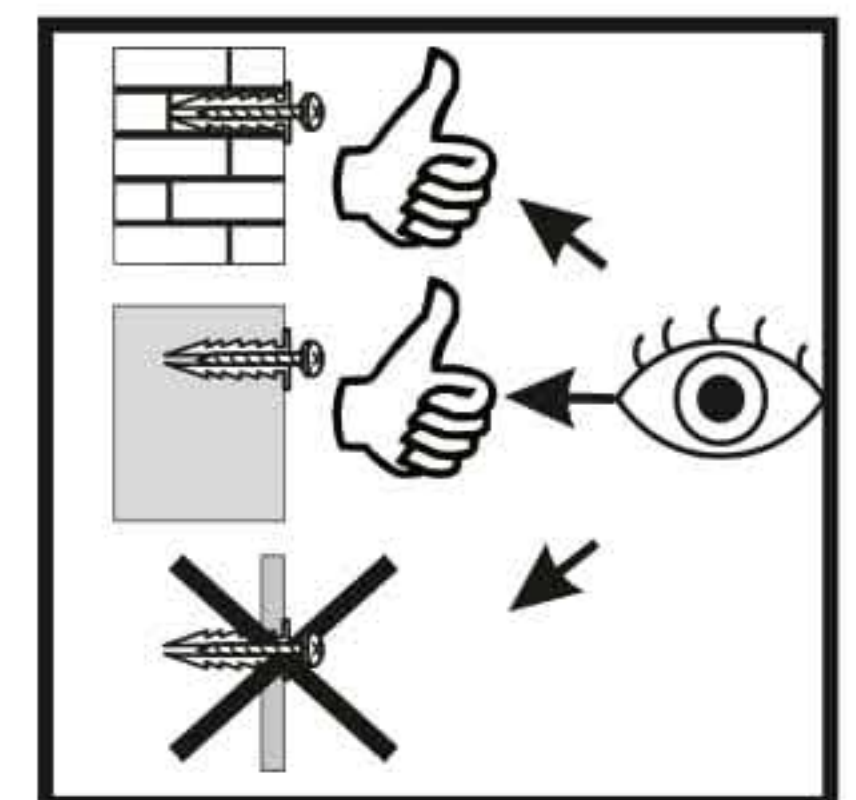
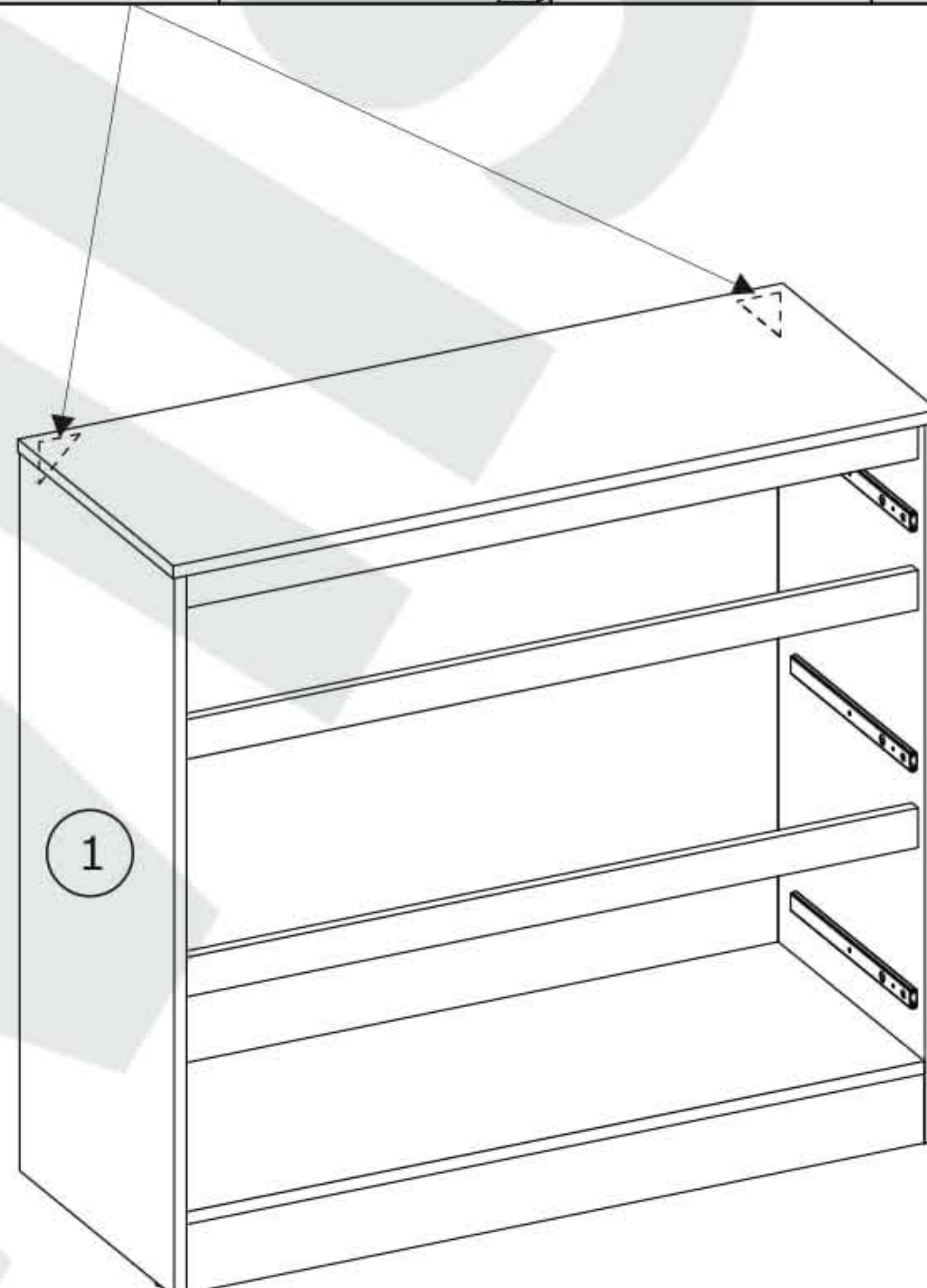
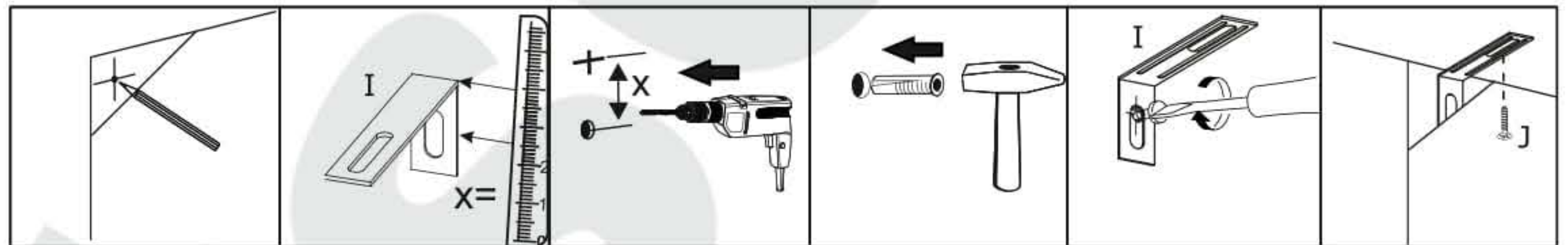
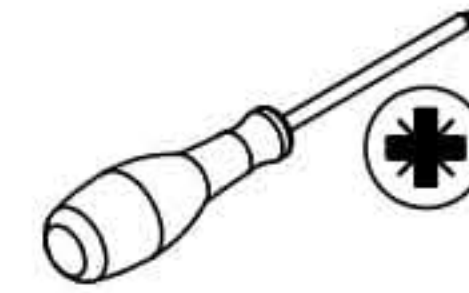
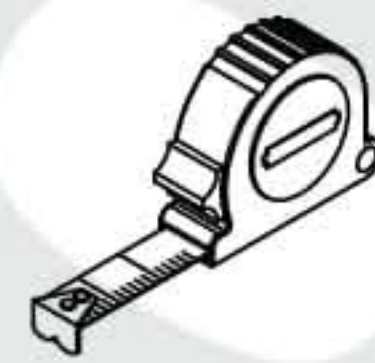
L x 3
4x16 mm



11

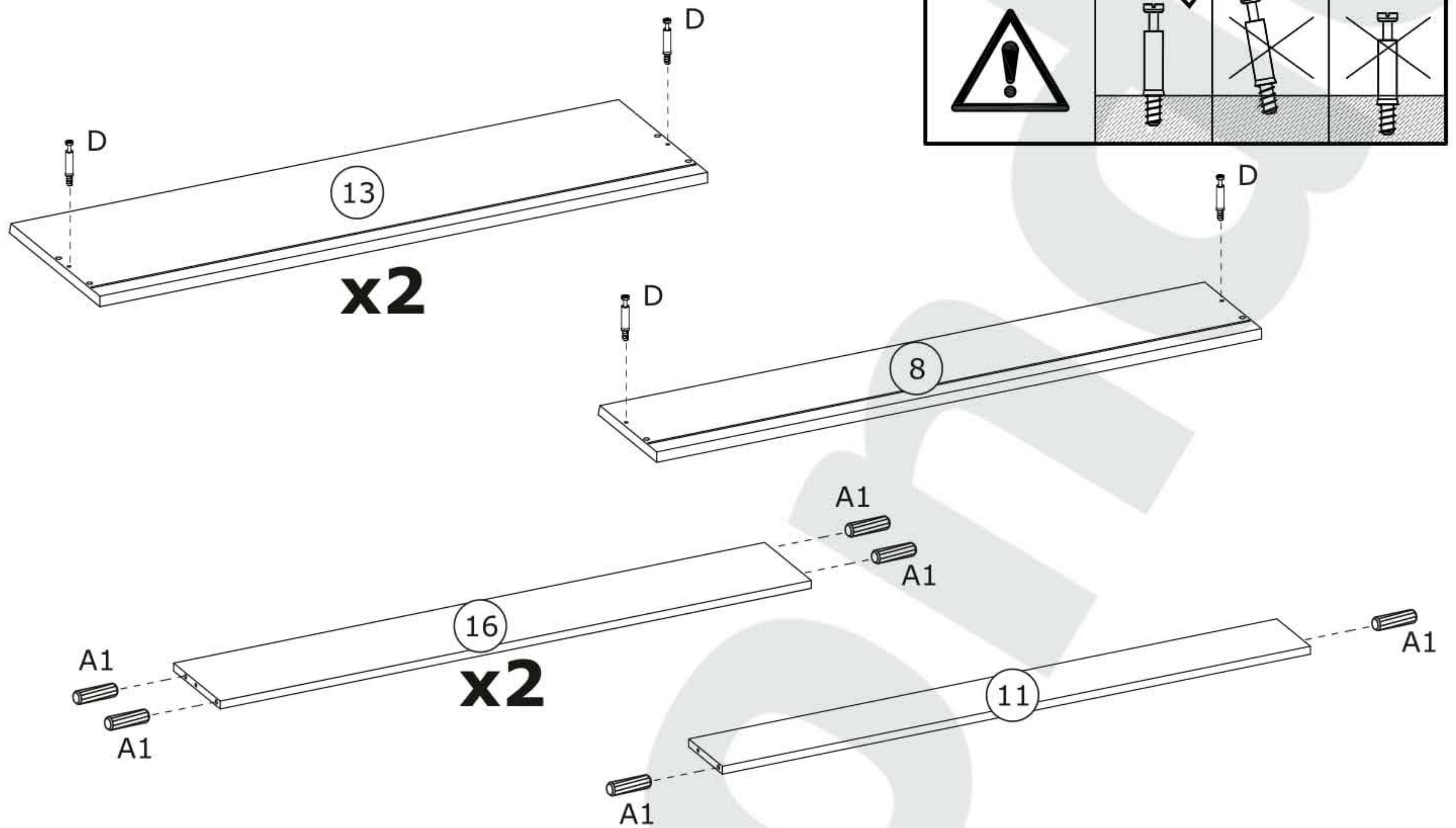
I x 2

J x 2
3,5x16 mm



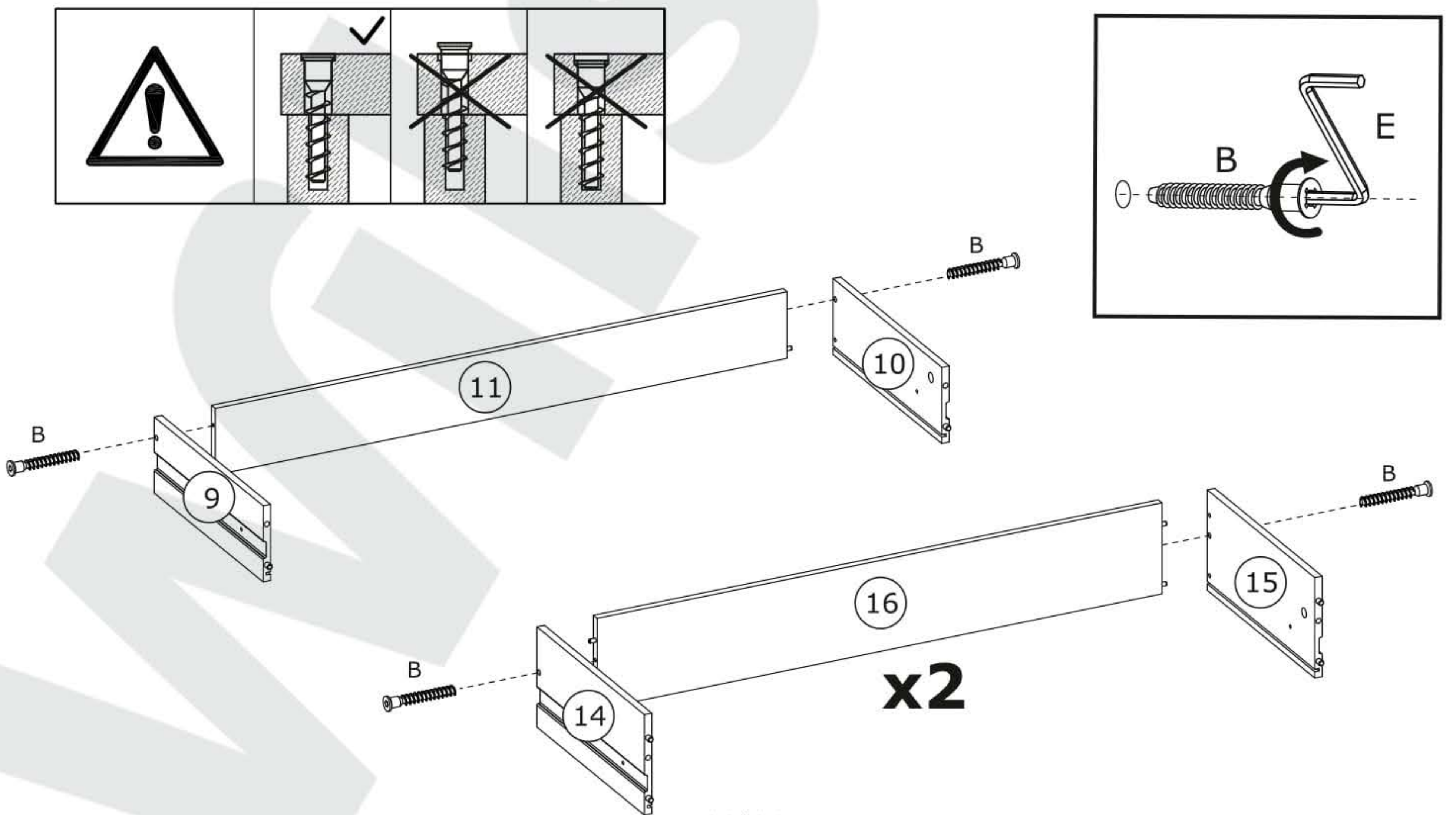
12

A1 x 10  Ø6x30 mm	D x 6  Ø5x44 mm	
--	--	---




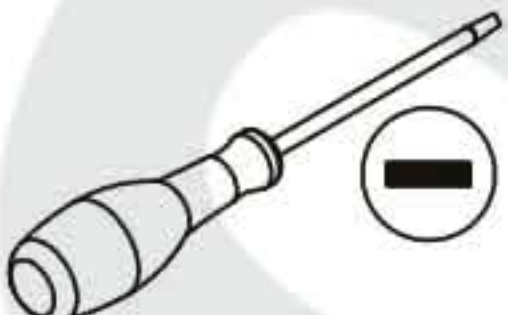


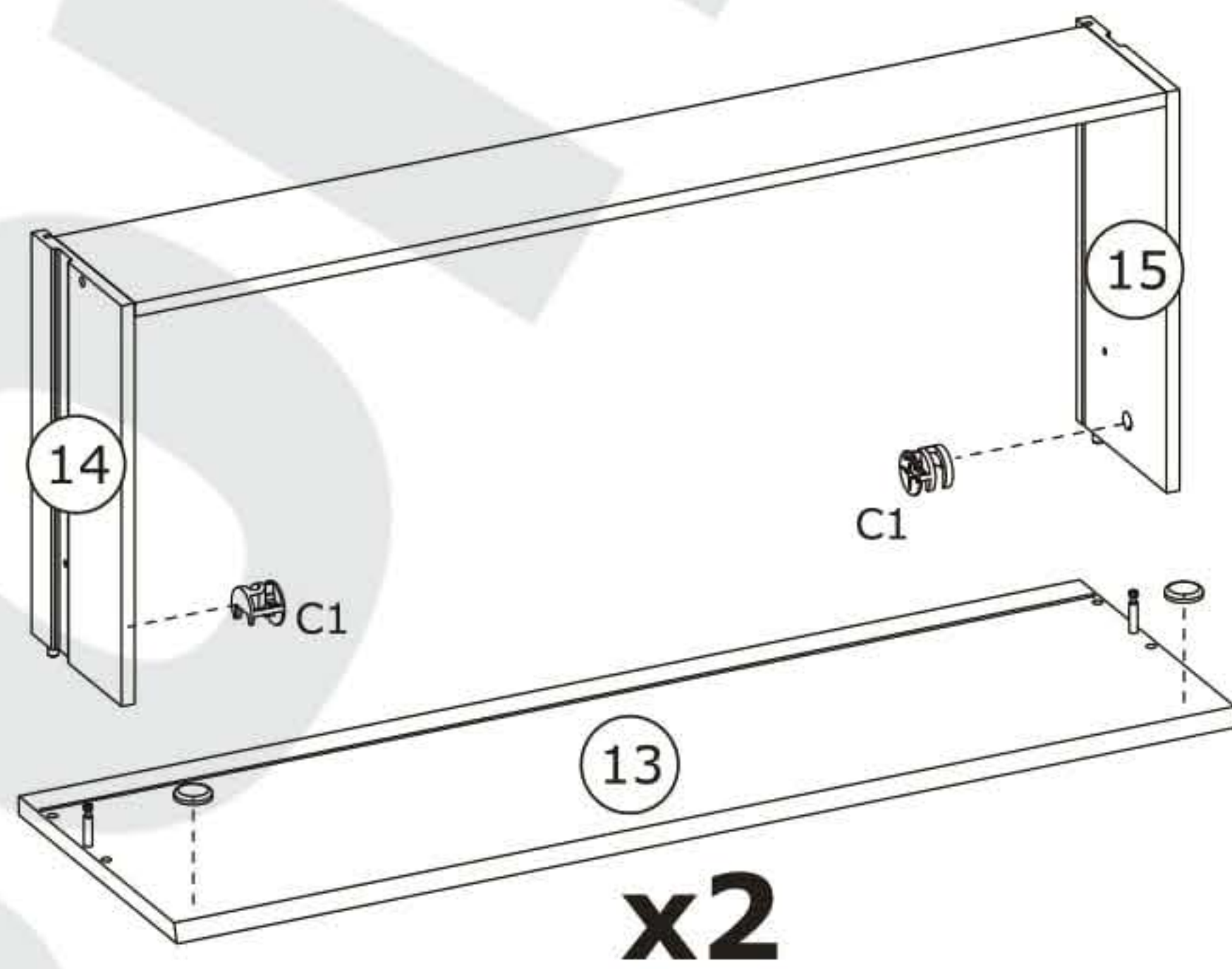
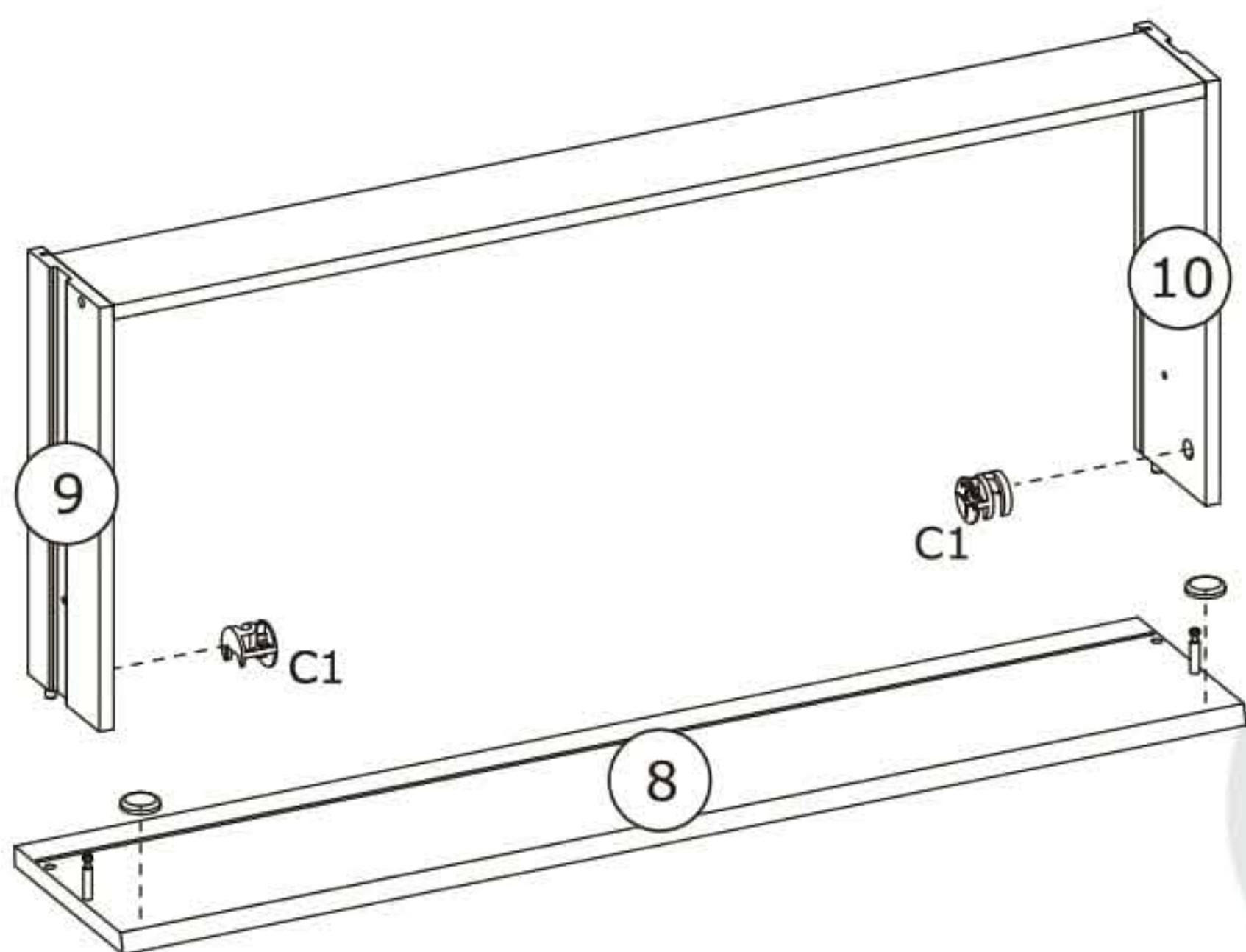
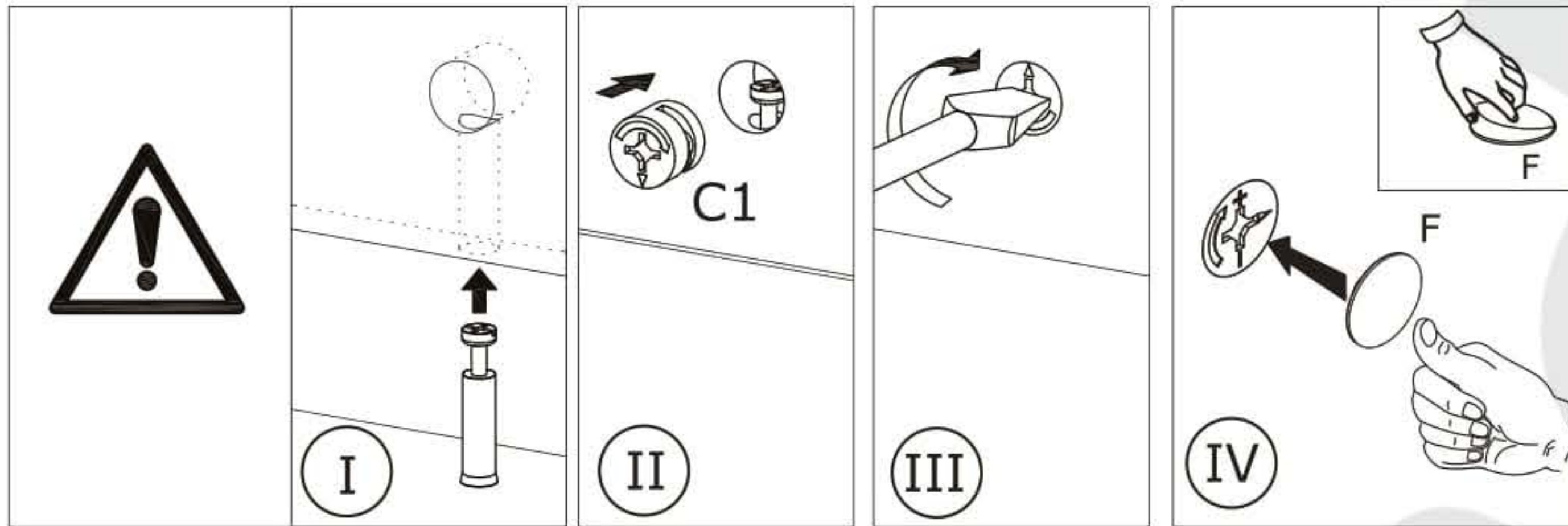
13

B x 6  Ø7x50 mm	E x 1  4 mm	
--	--	--

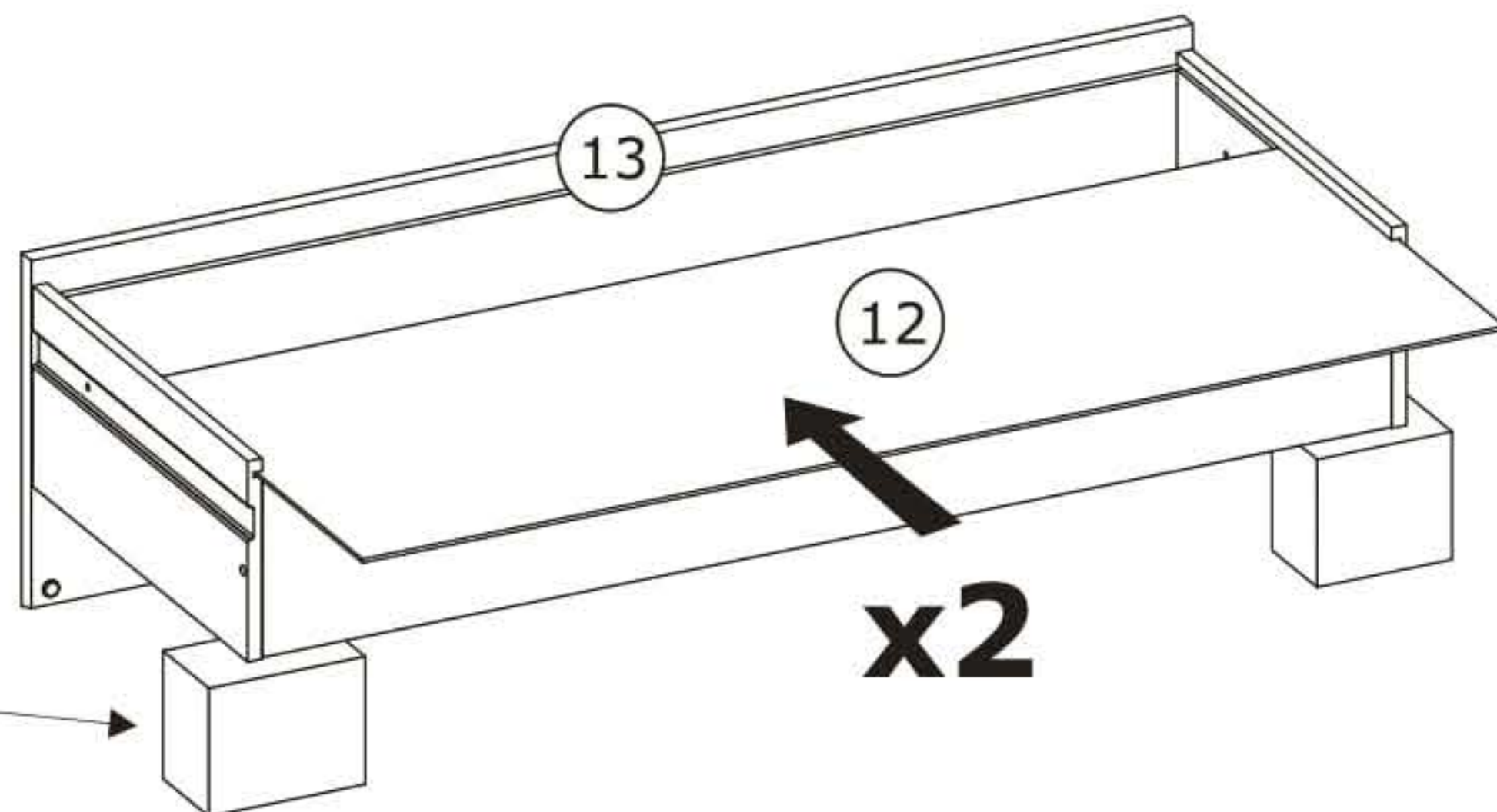
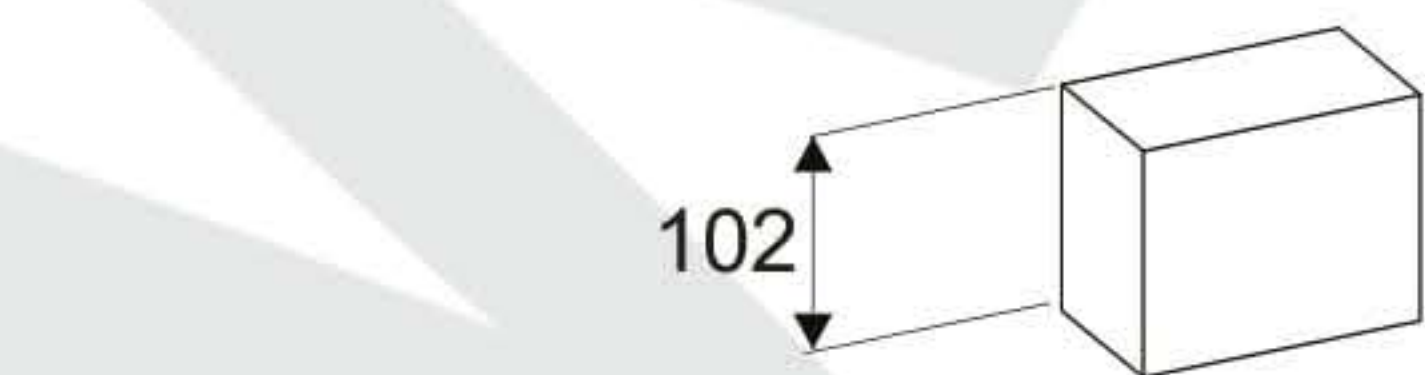
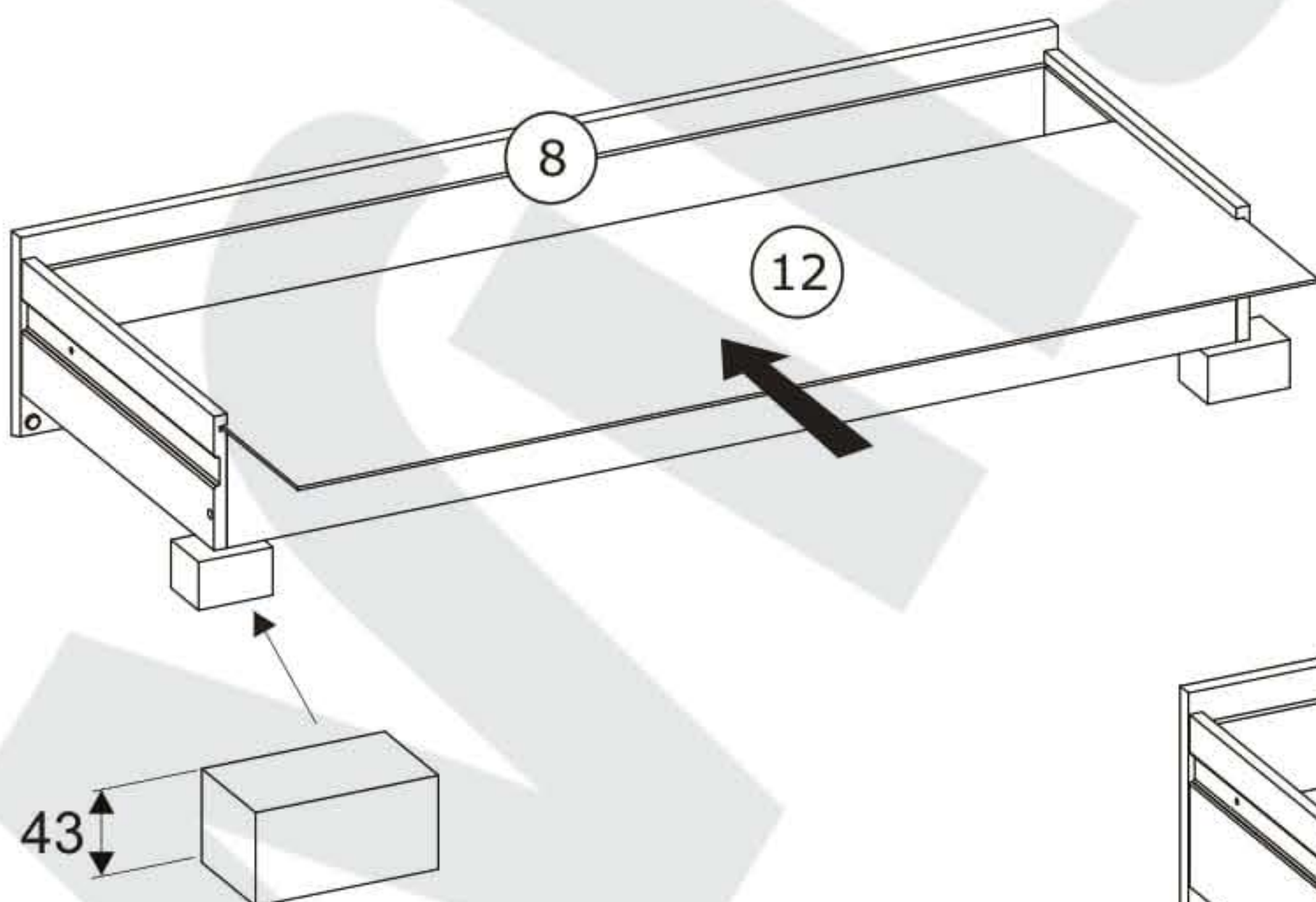


14

C1 x 6  Ø15x10 mm	F x 6  20 mm	AA x 6 	
--	---	---	---



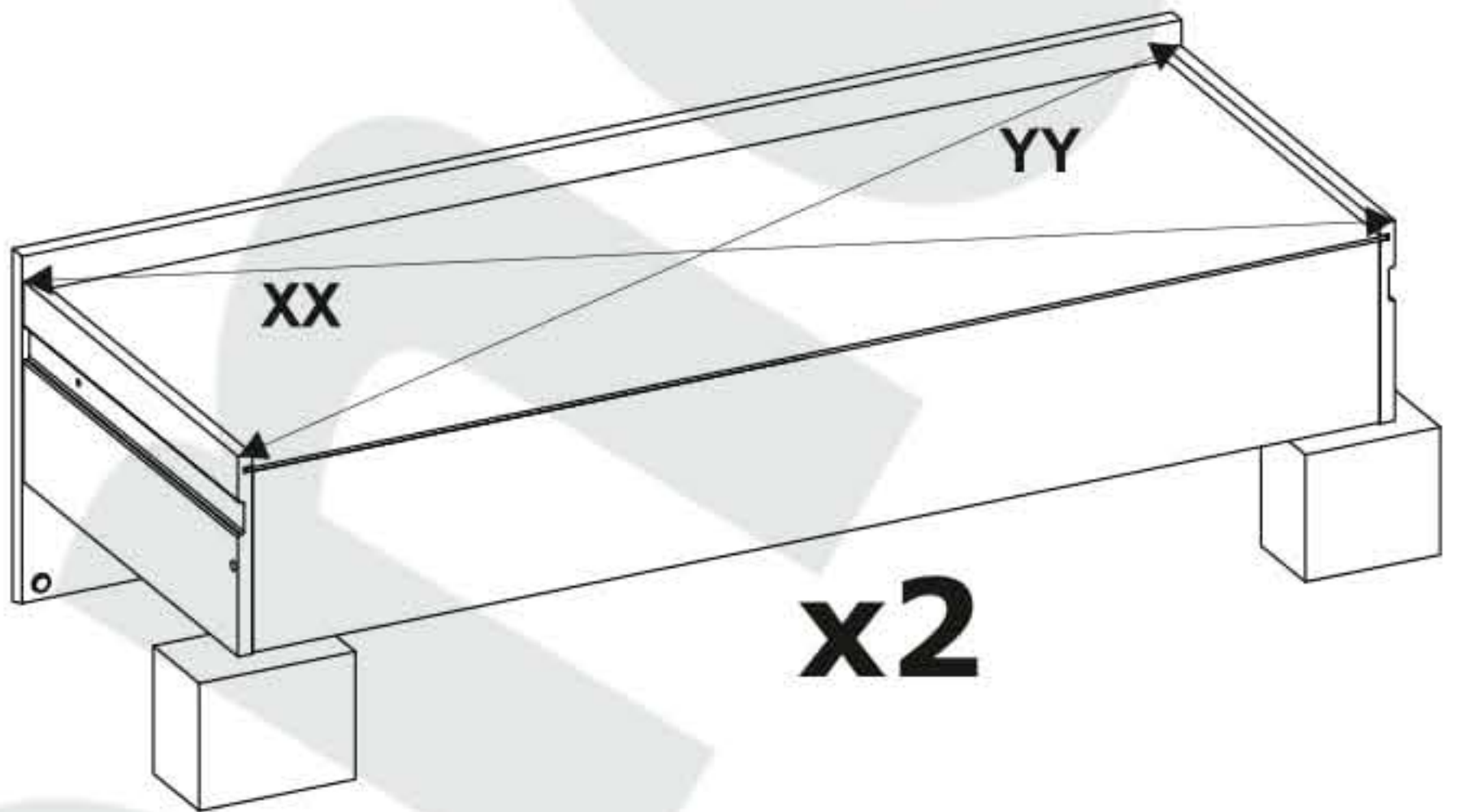
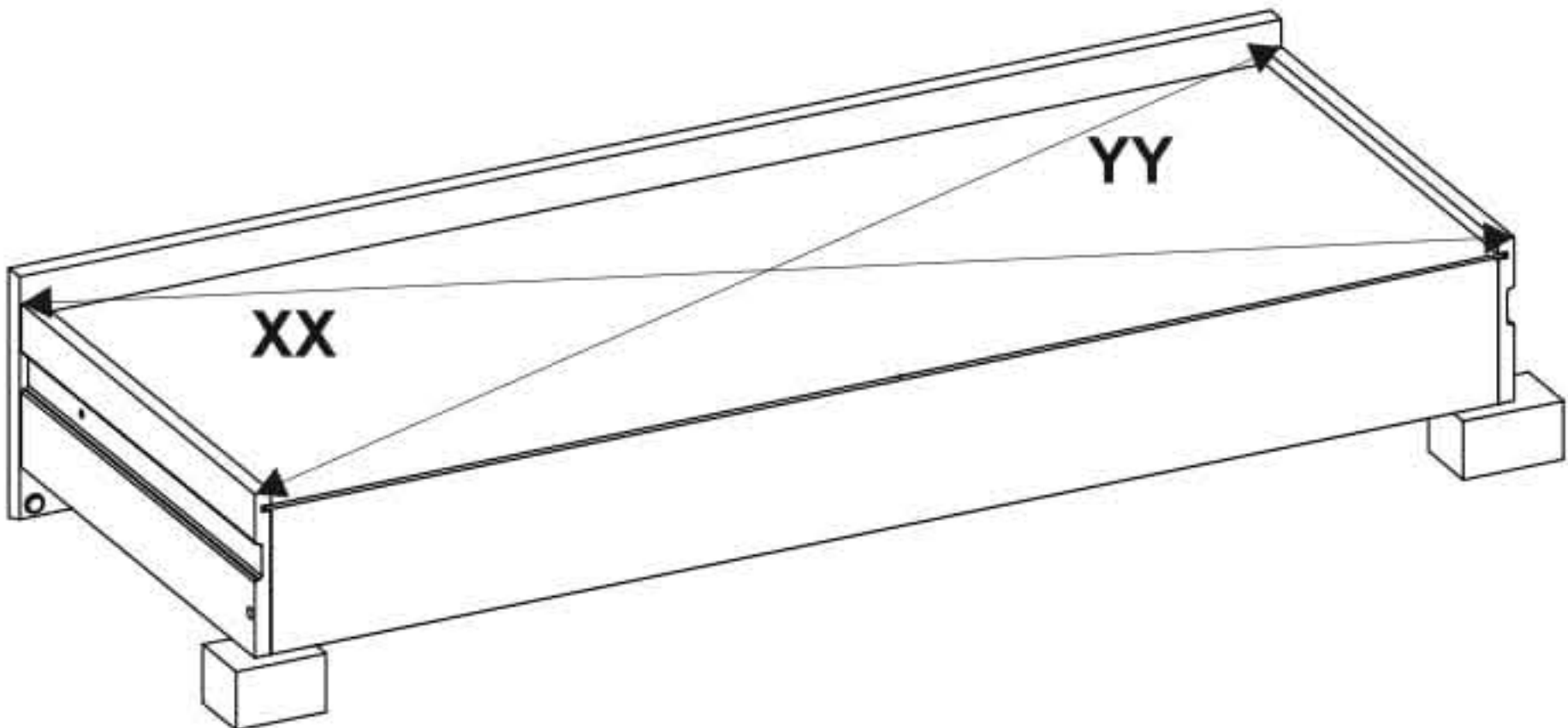
15



16

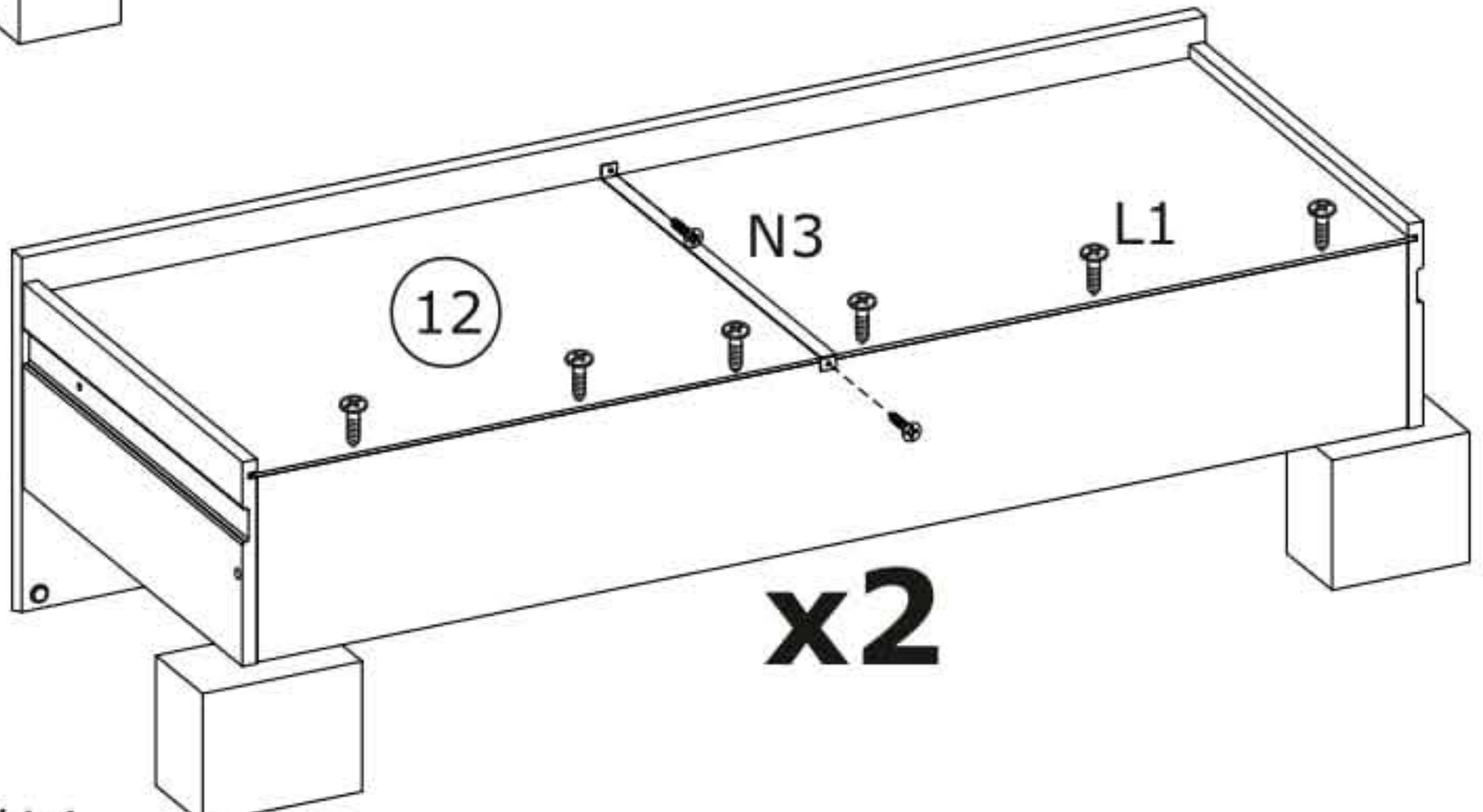
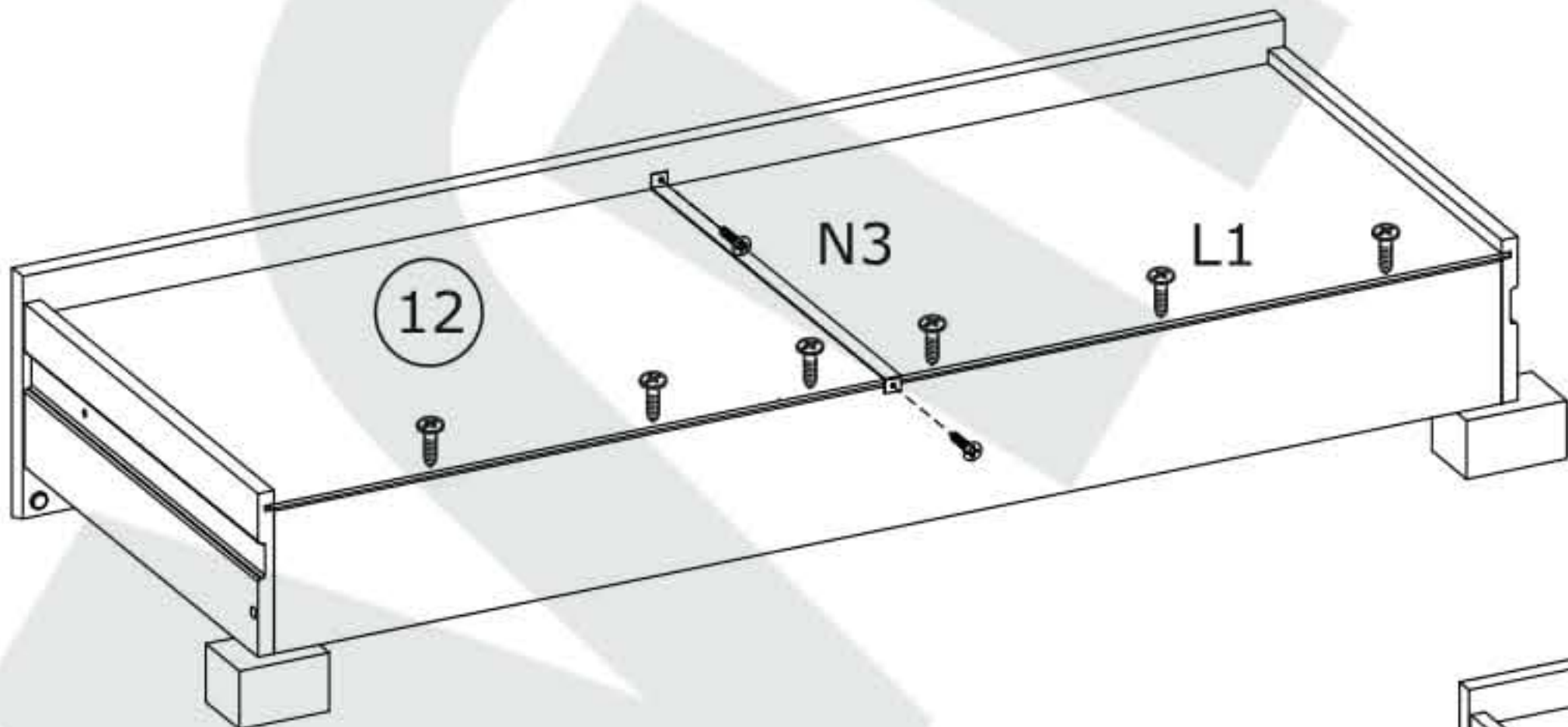
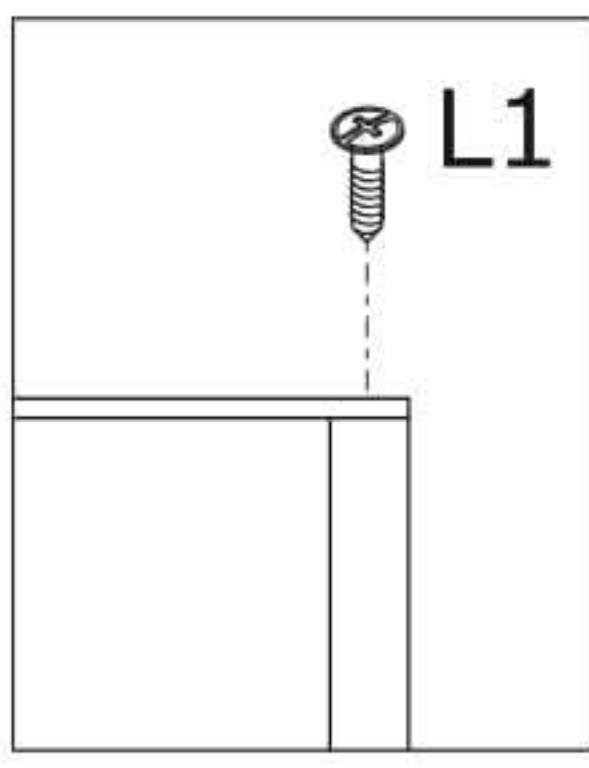
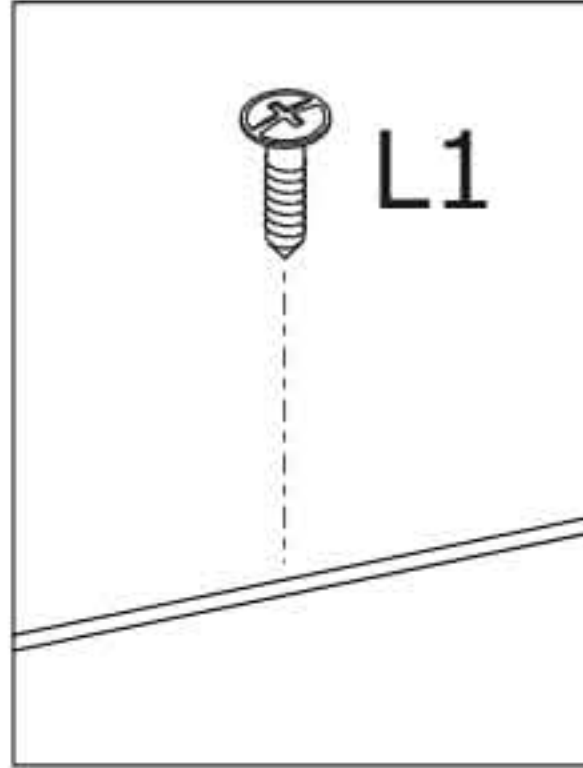
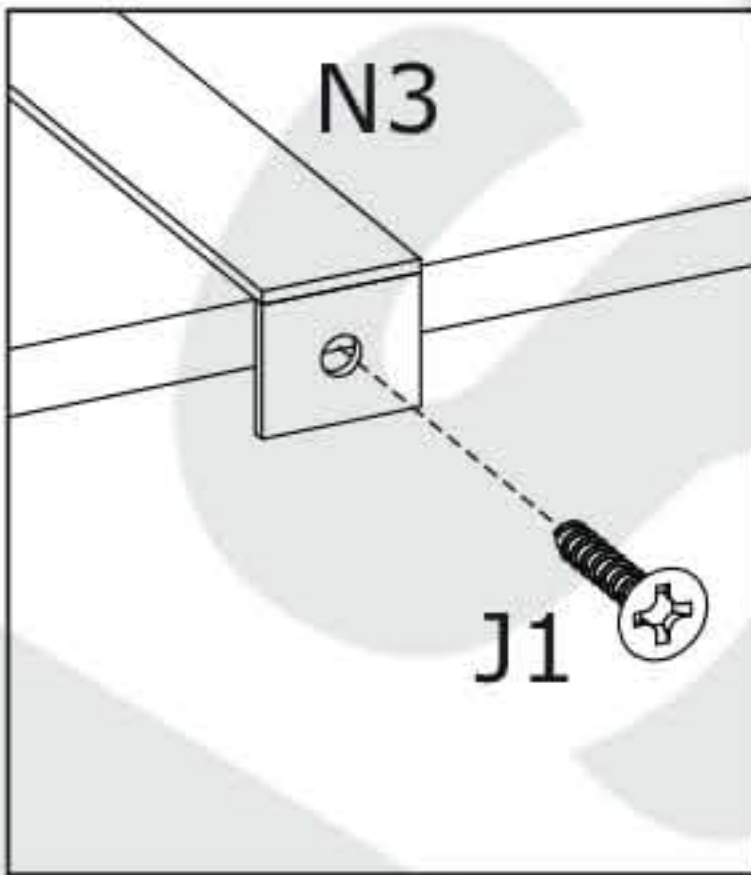
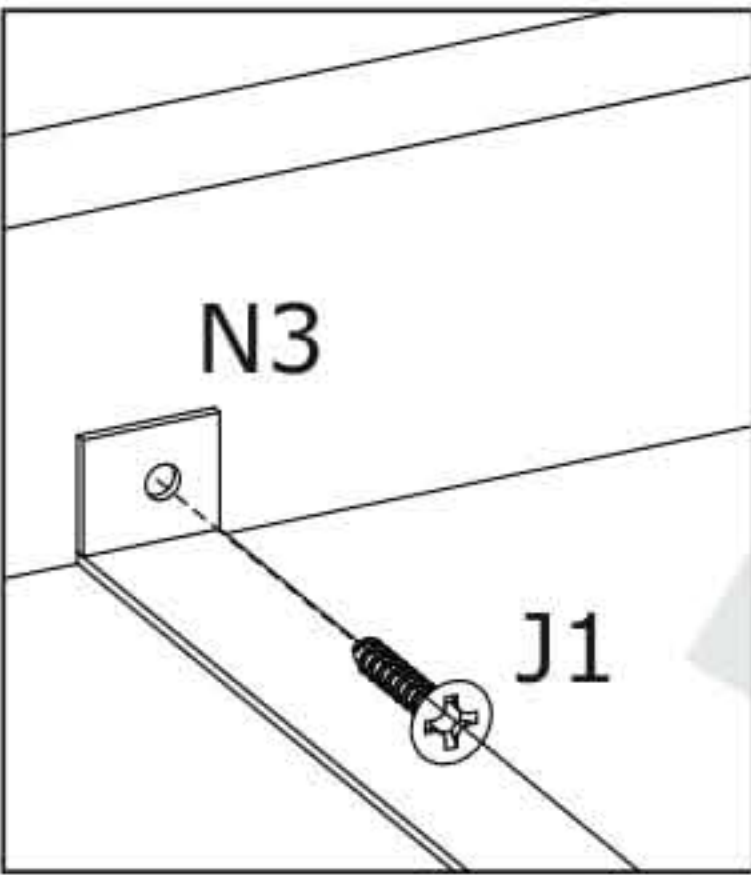


XX=YY≡90°



17

L1 x 18 Ø3x20 mm	J1 x 6 3,5x13 mm	N3 x 3 350 mm	
-------------------------	-------------------------	----------------------	--



18

Q x 6



4x9 mm

