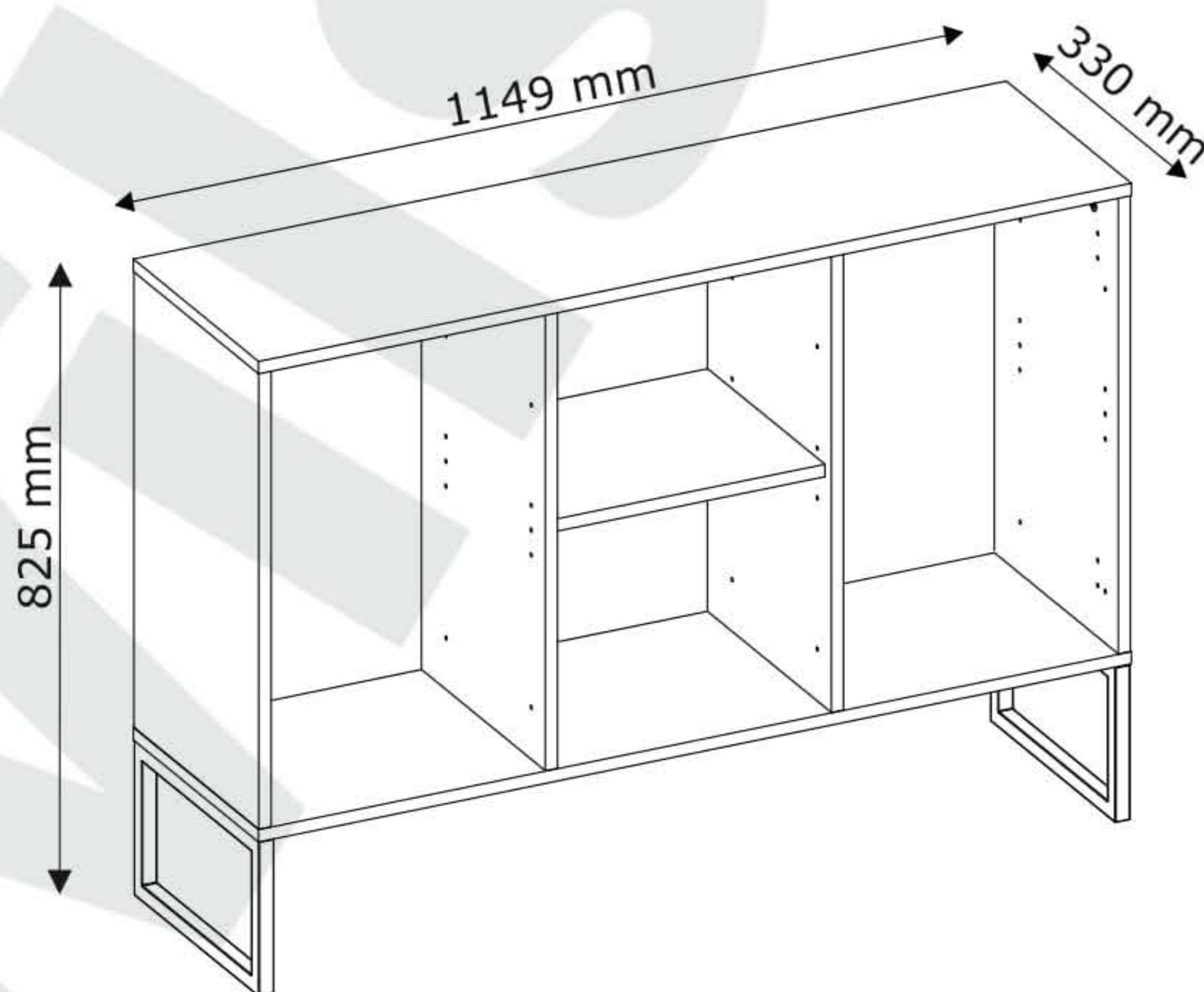
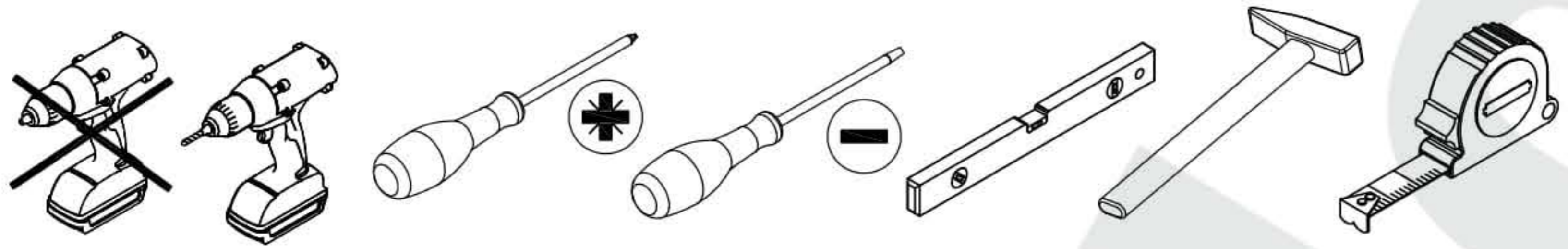
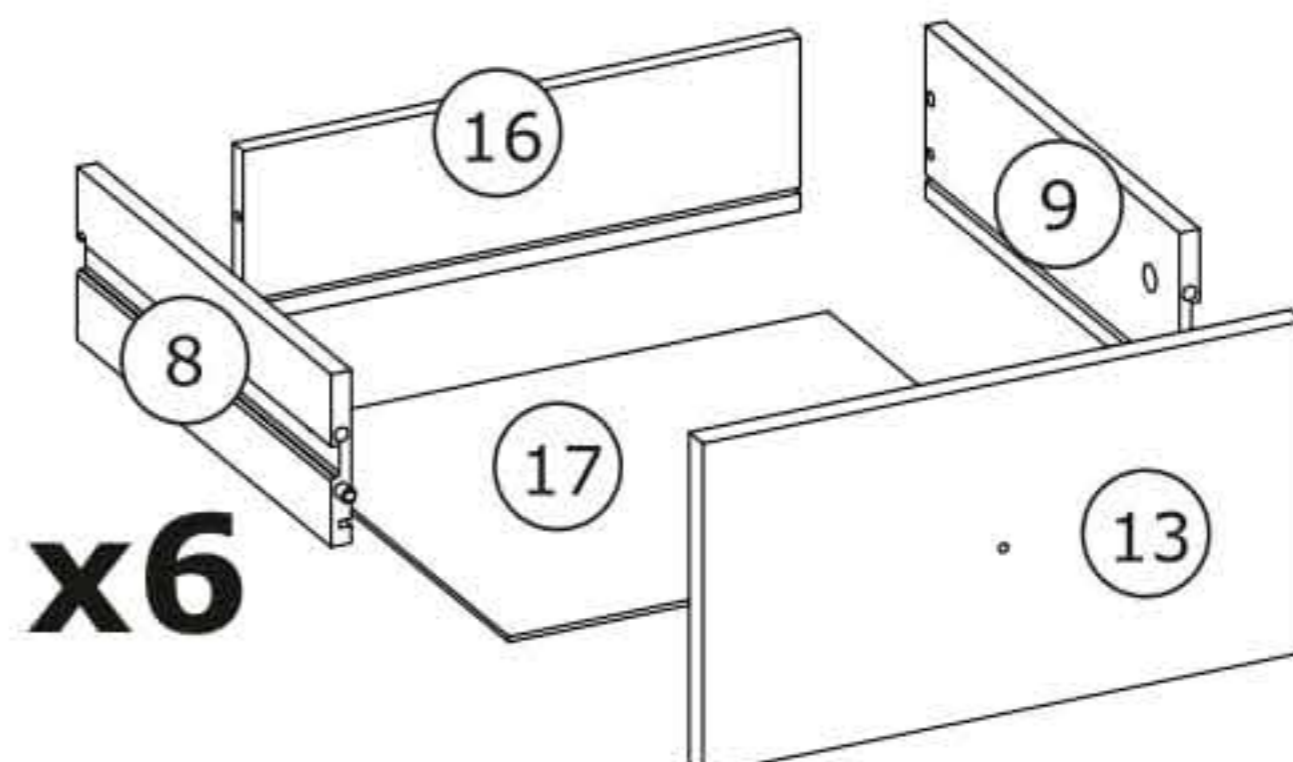
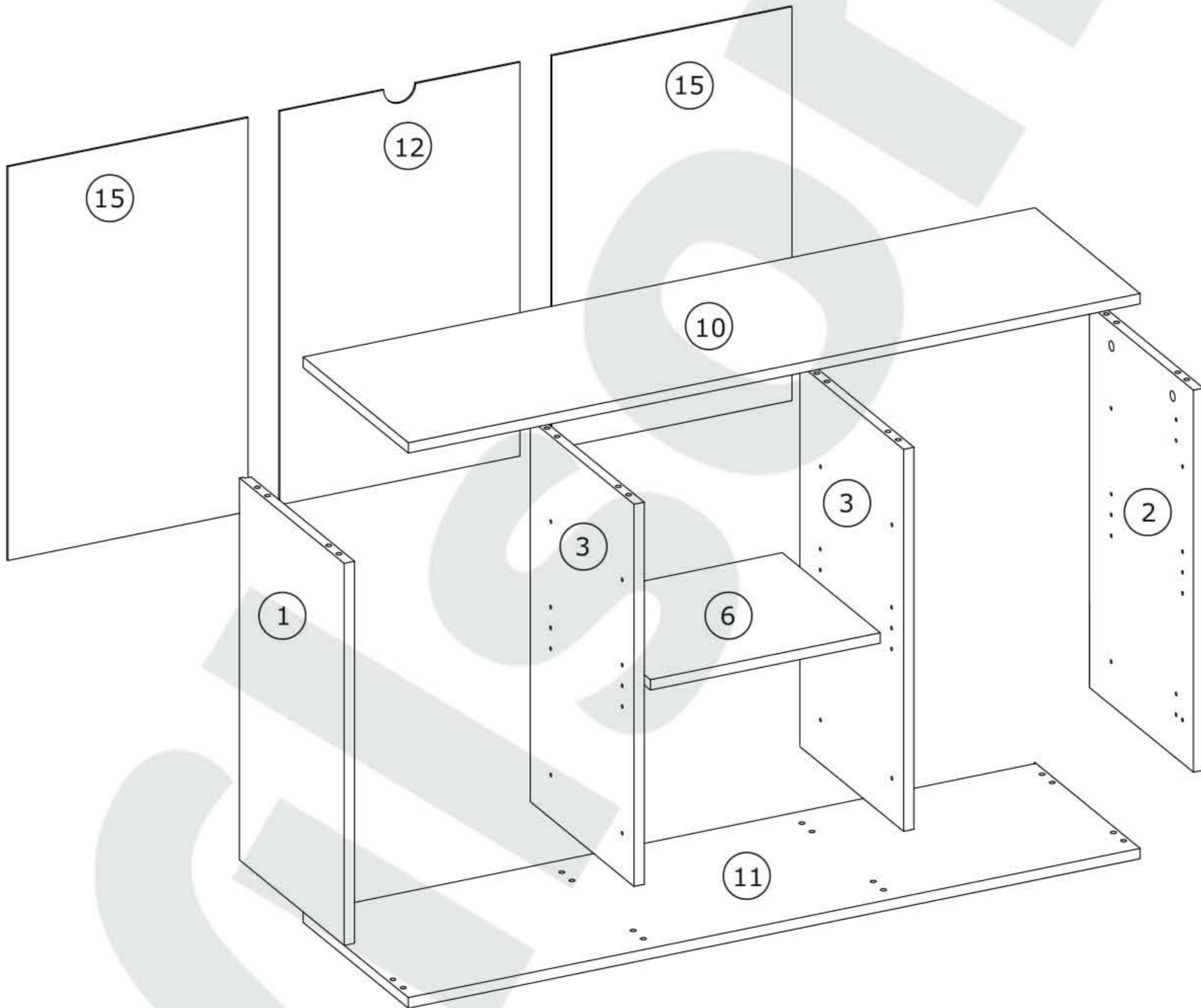
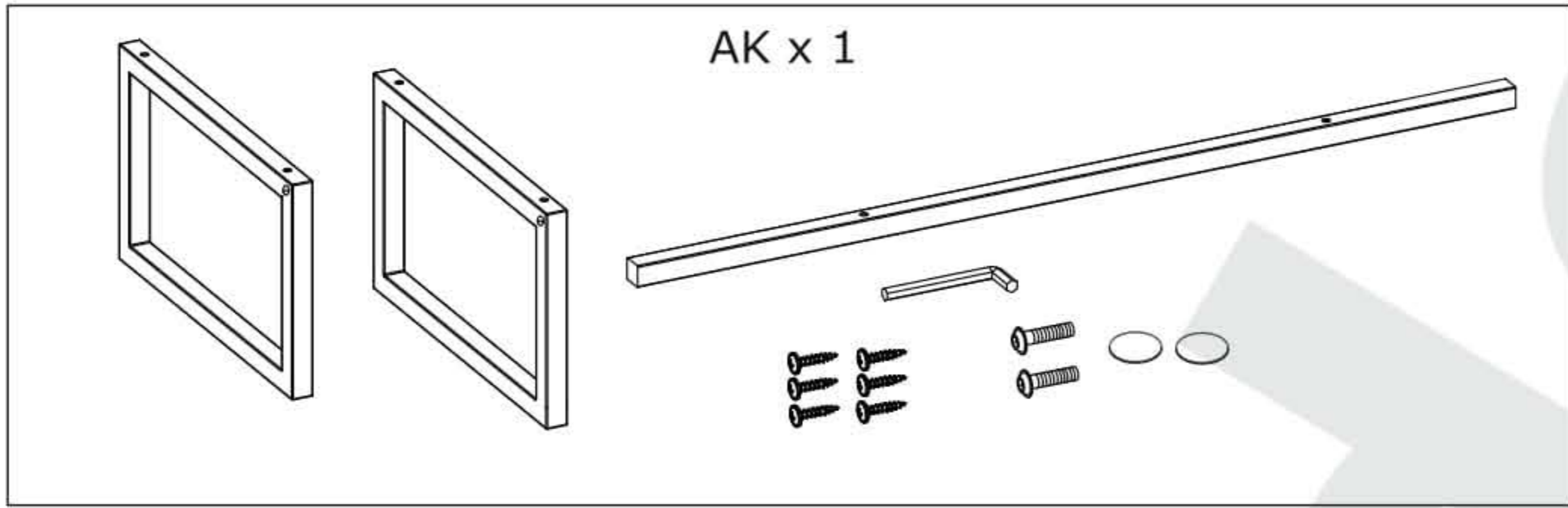


Linea 4 Cabinet 6S

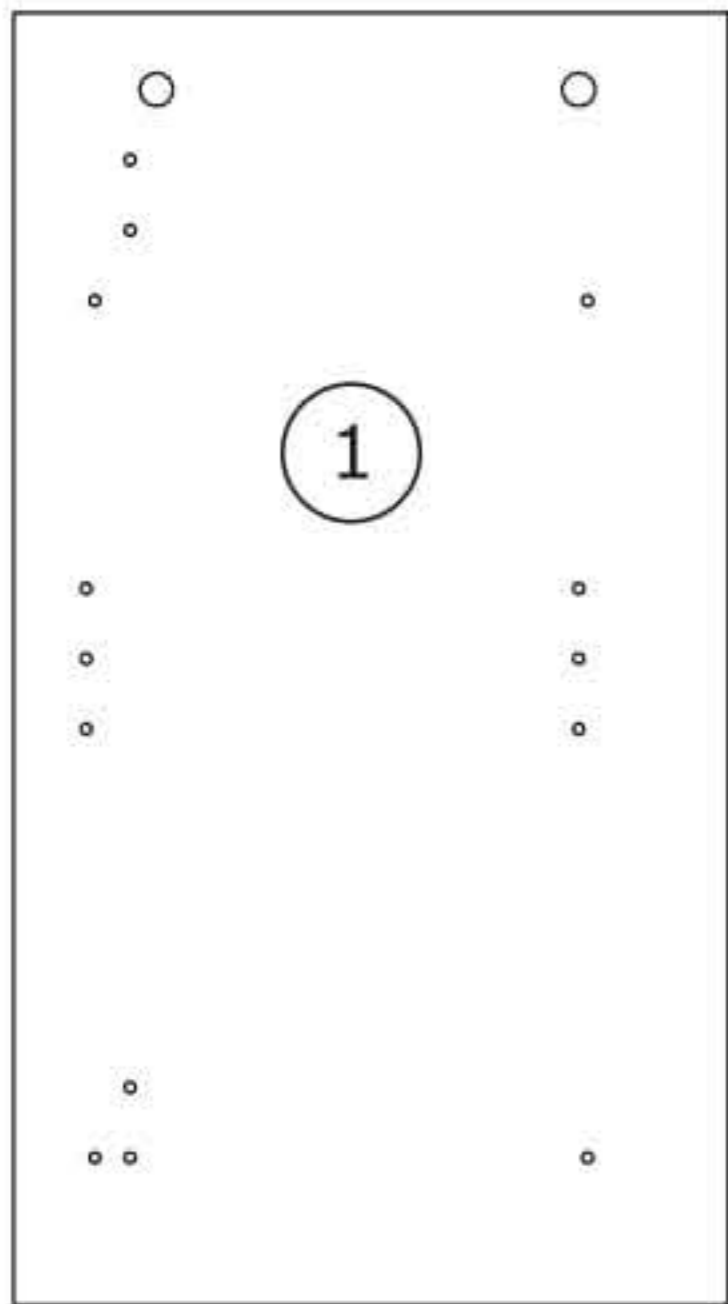




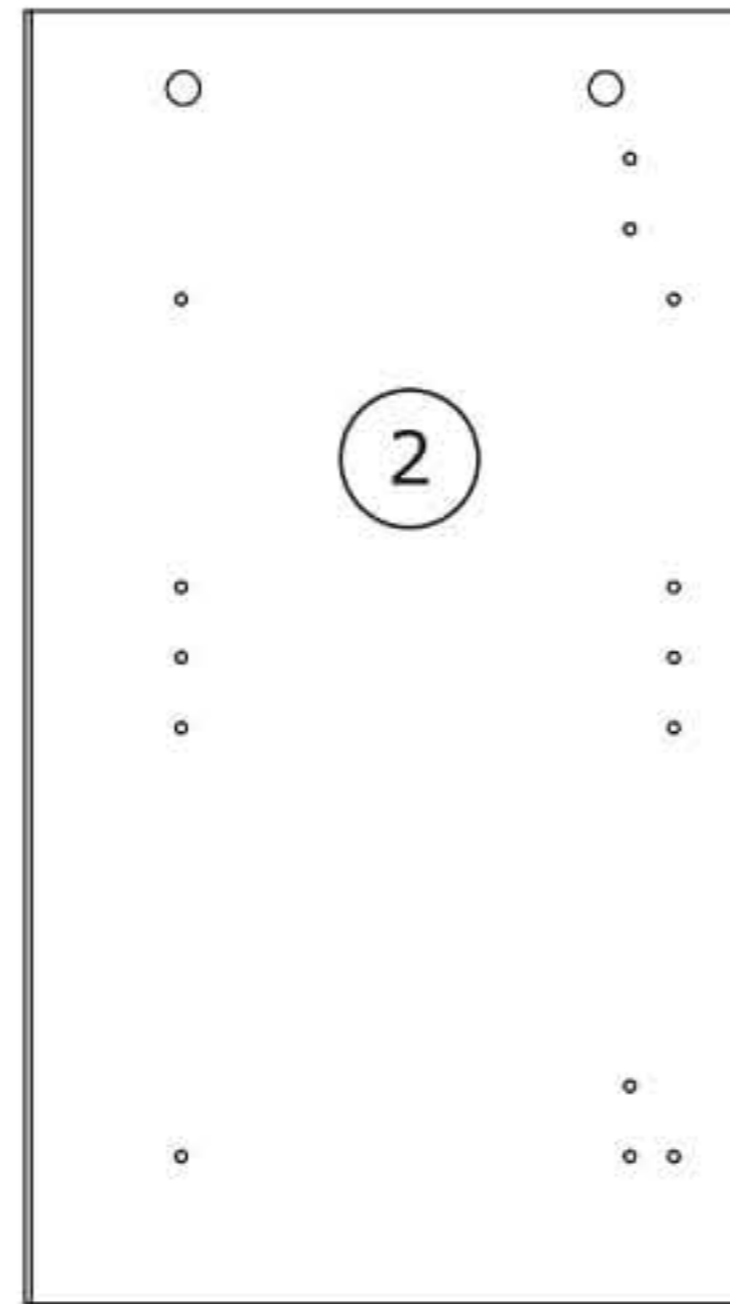
<p>A x 16</p>  <p>Ø8x35 mm</p>	<p>A1 x 12</p>  <p>Ø6x30 mm</p>	<p>B x 20</p>  <p>Ø7x50 mm</p>	<p>C x 8</p>  <p>Ø15x12 mm</p>
<p>C1 x 12</p>  <p>Ø12x10 mm</p>	<p>D x 20</p>  <p>Ø5x44 mm</p>	<p>E x 1</p>  <p>4 mm</p>	<p>F x 8</p>  <p>20 mm</p>
<p>F1 x 12</p>  <p>20 mm</p>	<p>G x 40</p>  <p>1,2x25 mm</p>	<p>H x 8</p>  <p>22x9x2 mm</p>	<p>I x 1</p> 
<p>J x 1</p>  <p>3,5x16 mm</p>	<p>M x 24</p>  <p>Ø6,3x13 mm</p>	<p>N1 x 12</p>  <p>278 mm</p>	
<p>O x 4</p>  <p>Ø5mm</p>	<p>P x 6</p> 	<p>Q x 12</p>  <p>4x9 mm</p>	



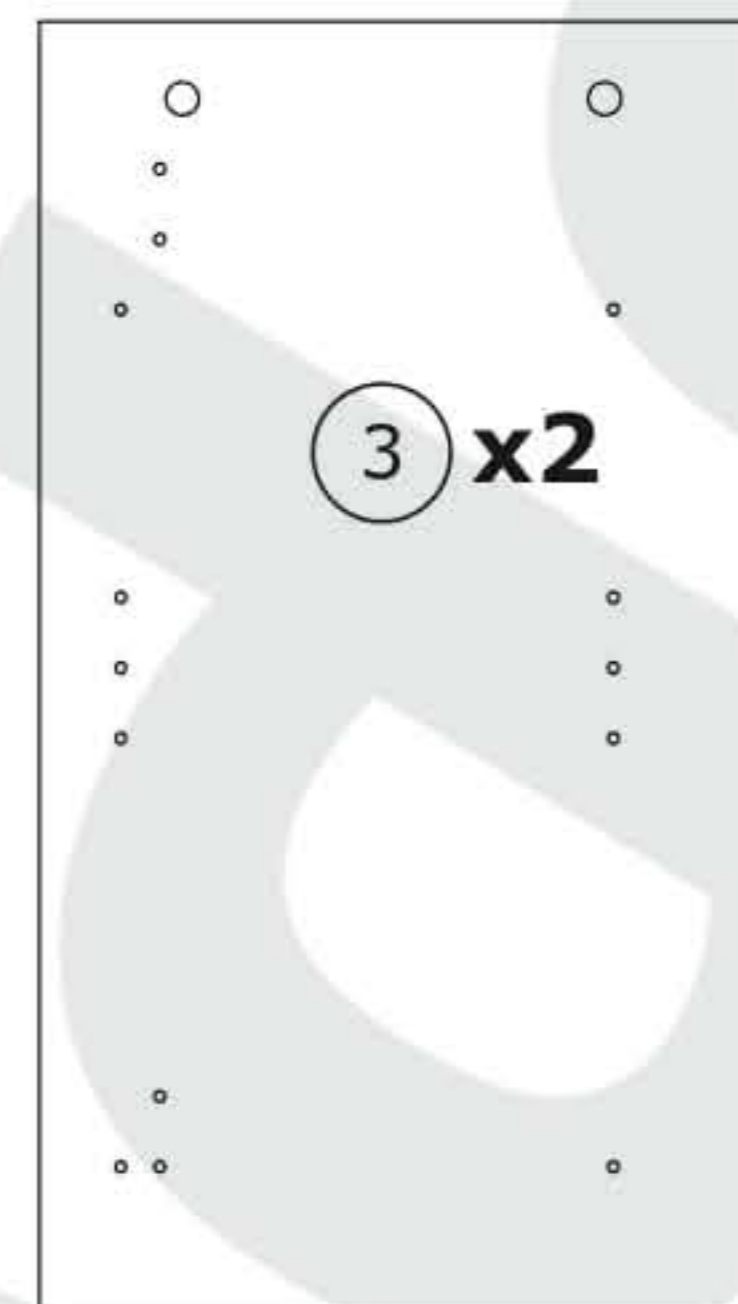
BOX 1/1:



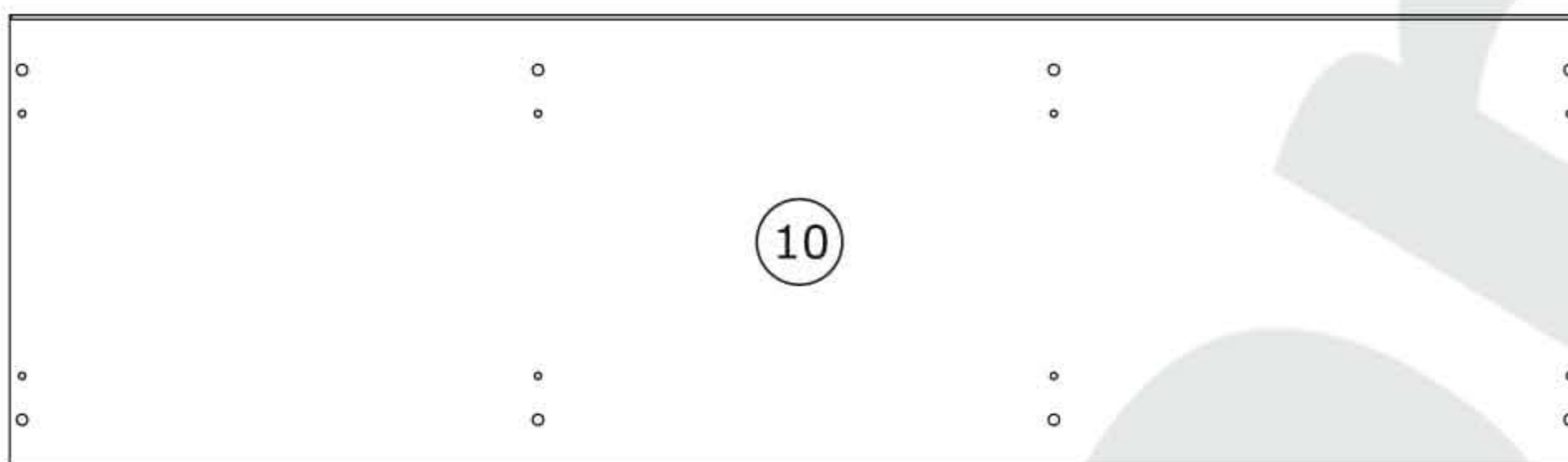
588x329x16 mm



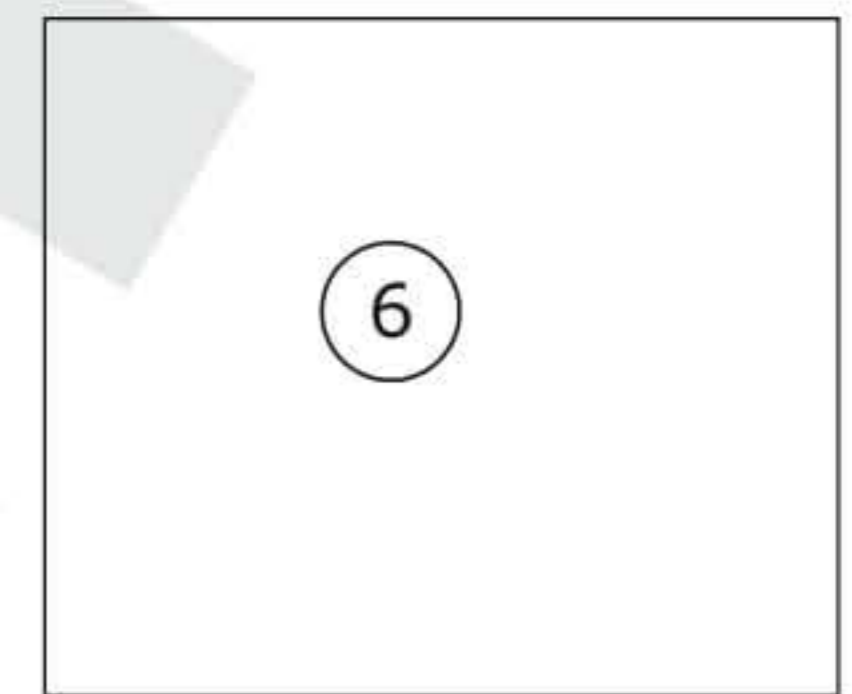
588x329x16 mm



588x326x16 mm



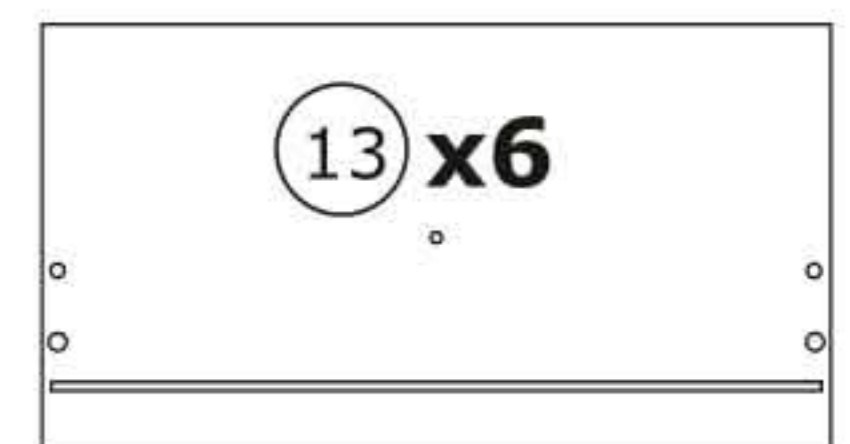
1149x330x16 mm



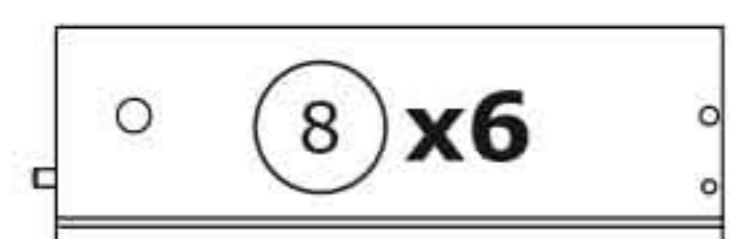
361x308x16 mm



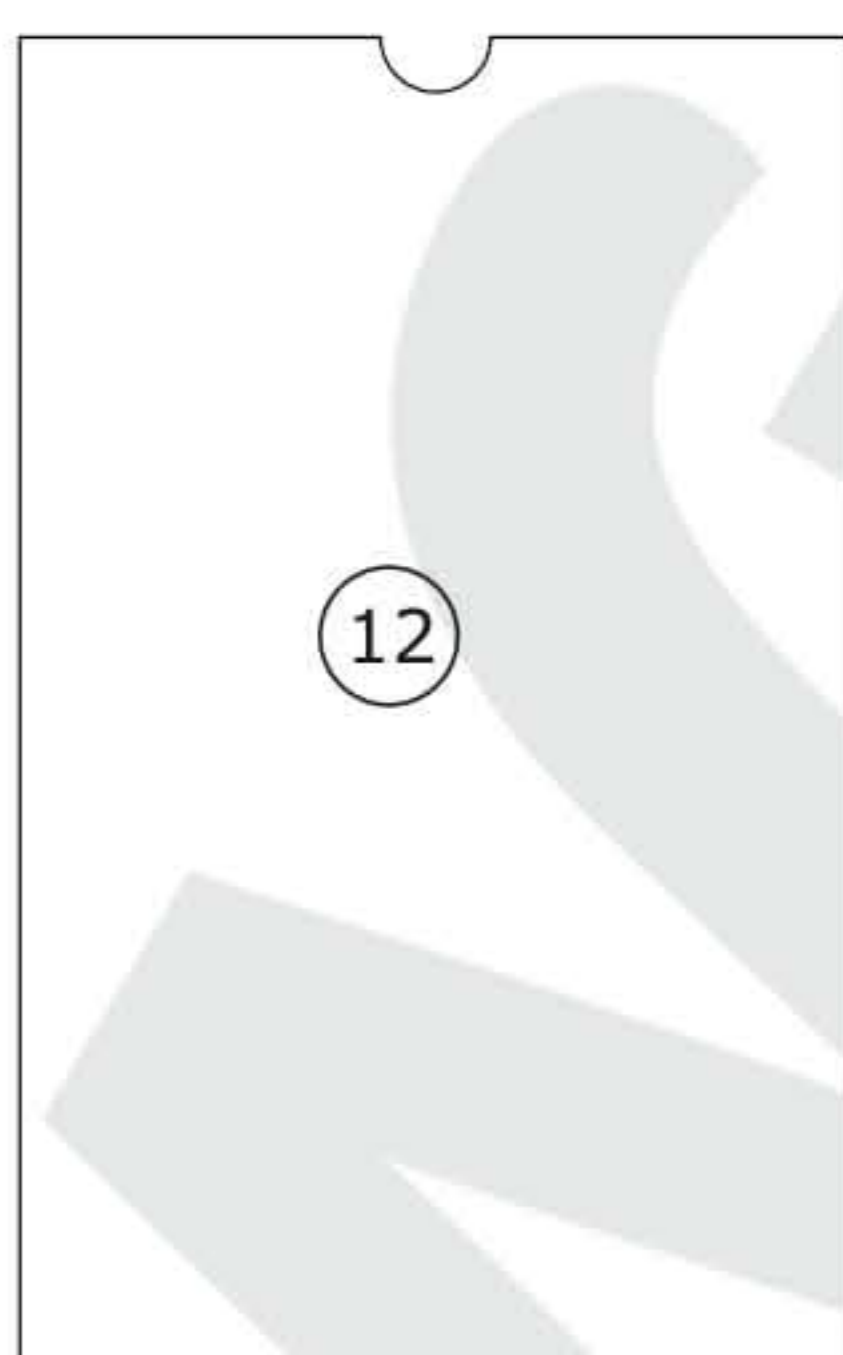
1149x330x16 mm



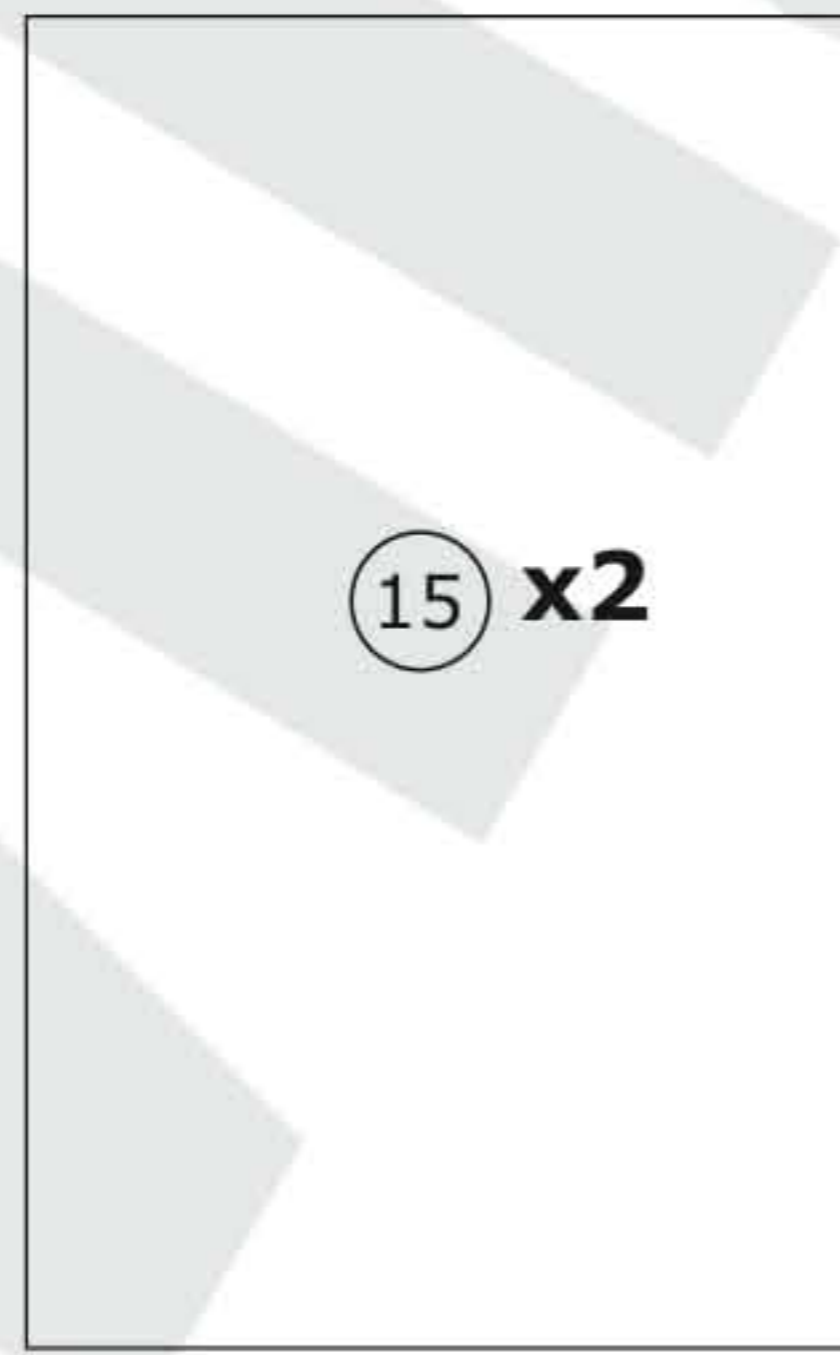
355x192x16 mm



300x100x12 mm



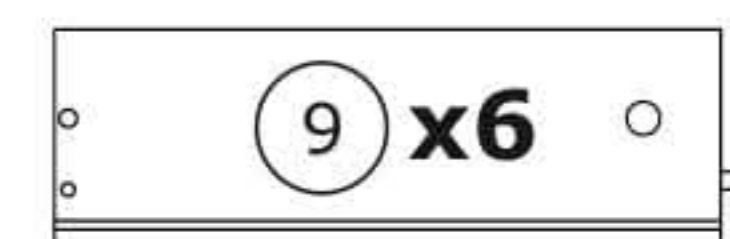
606x377x2,5 mm



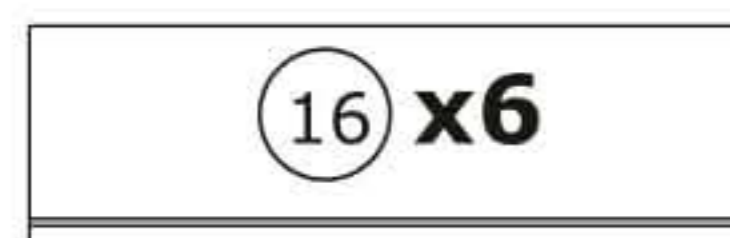
606x377x2,5 mm



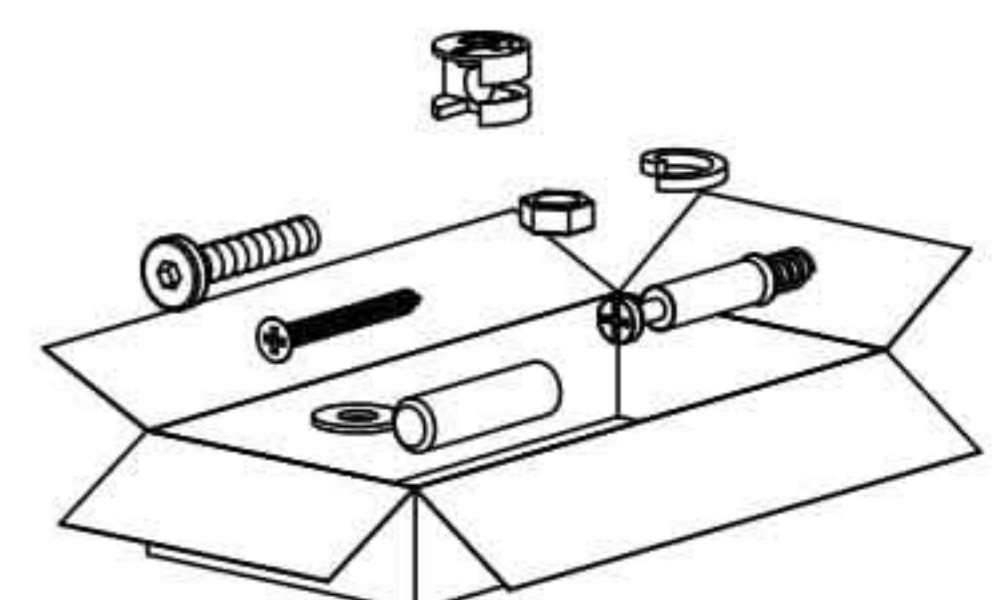
339x301x2,5 mm




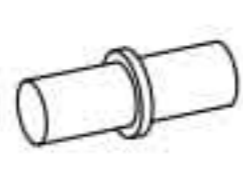



300x100x12 mm

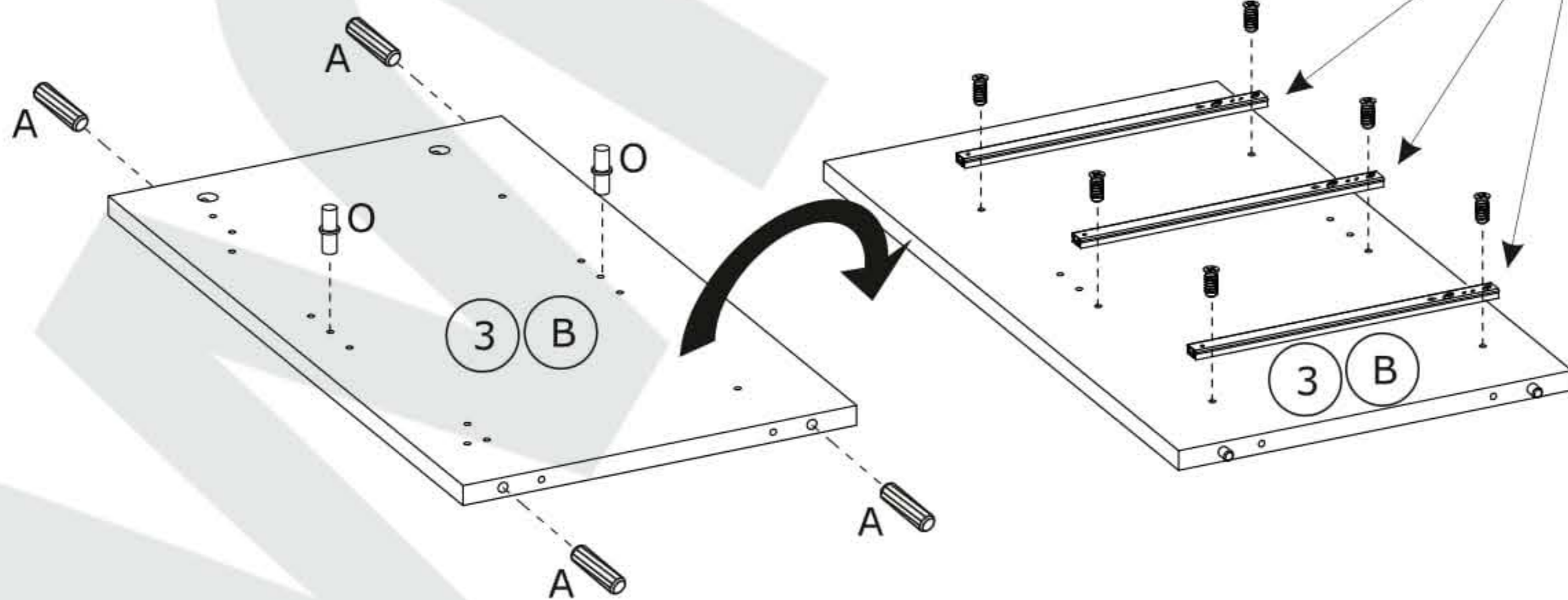
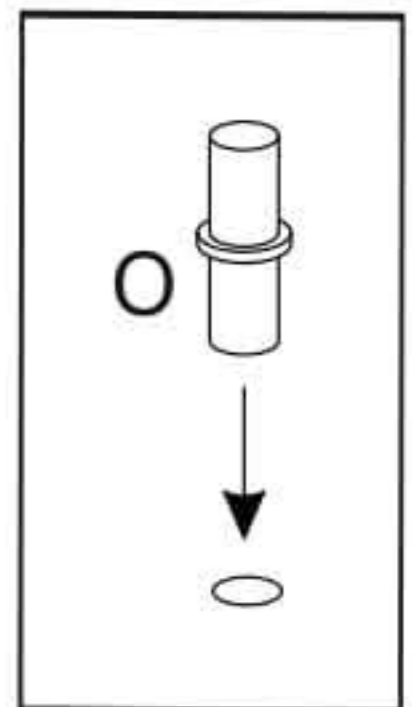
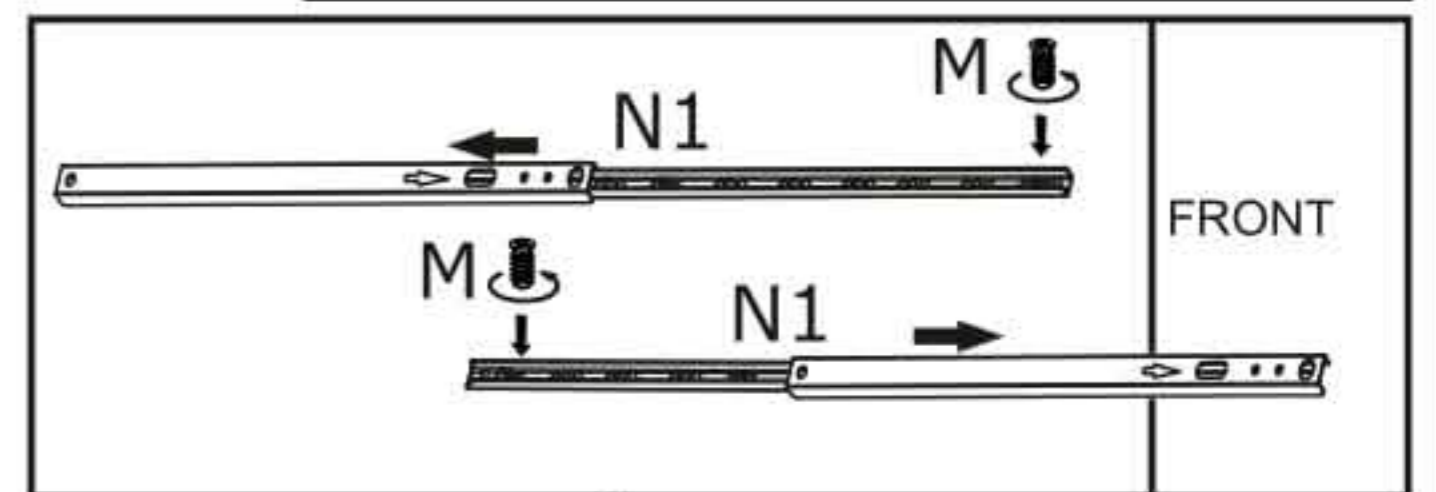
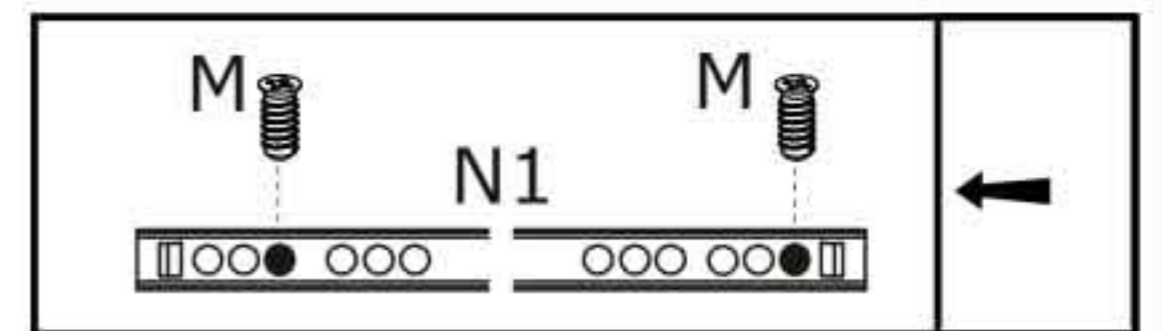
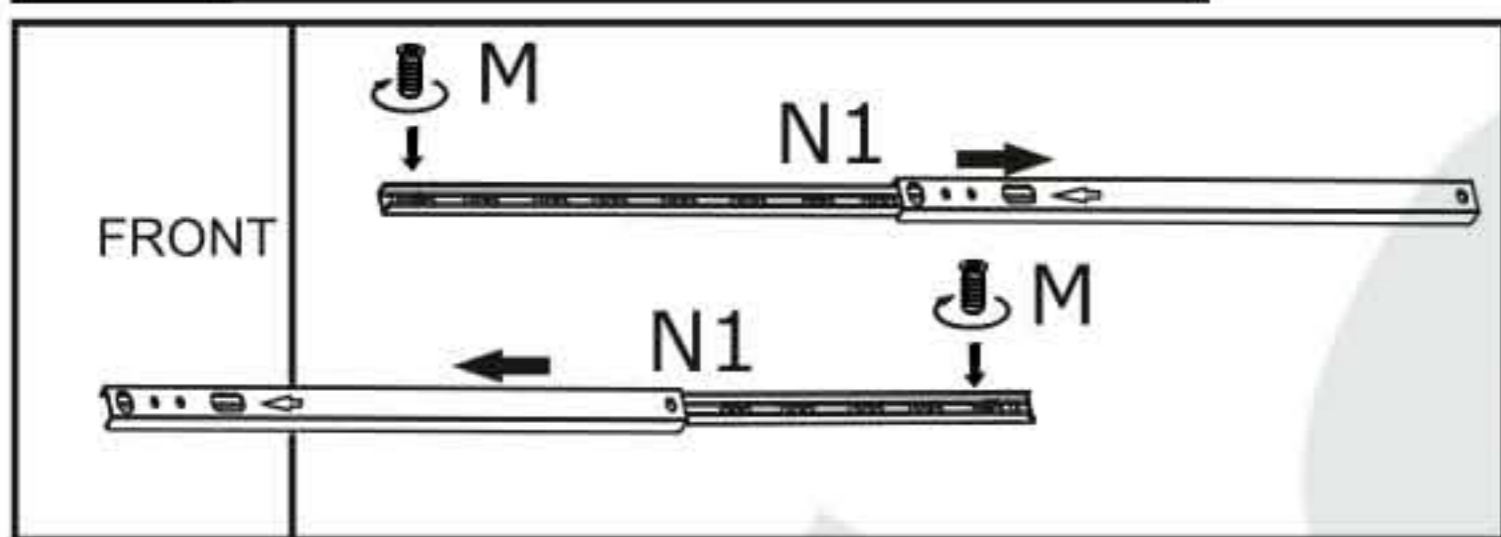
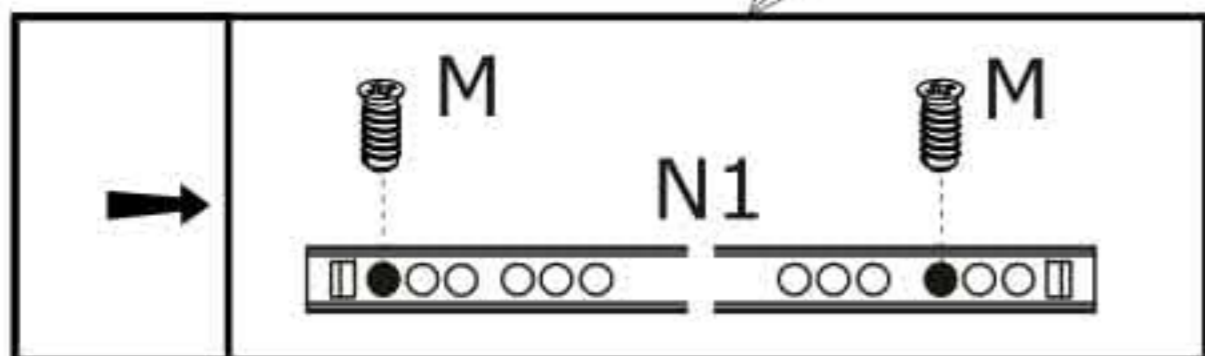
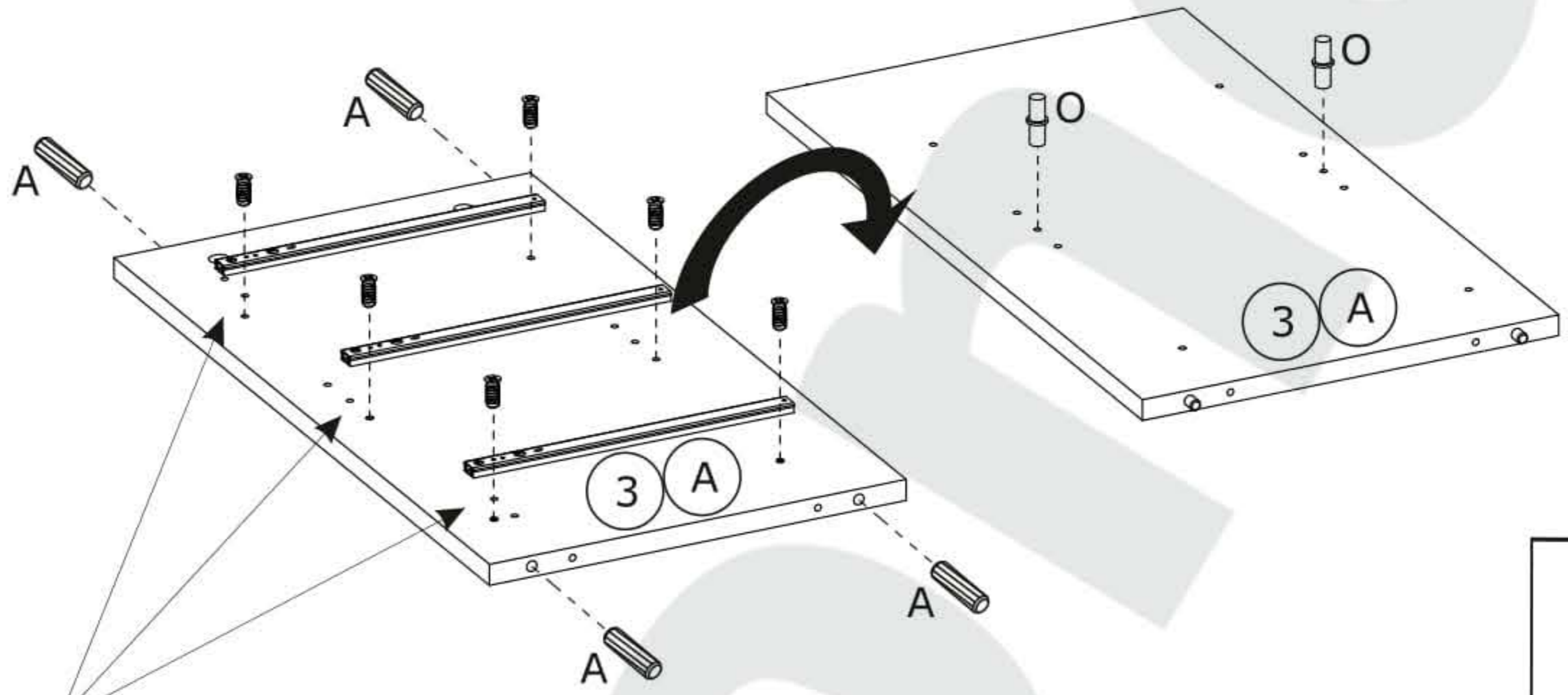
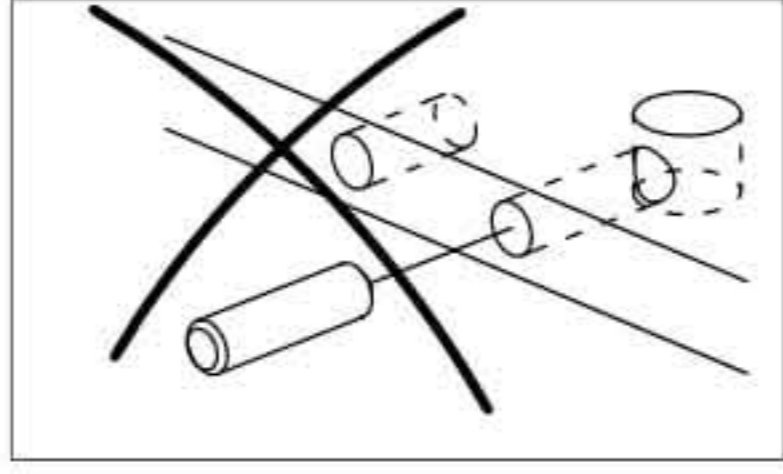
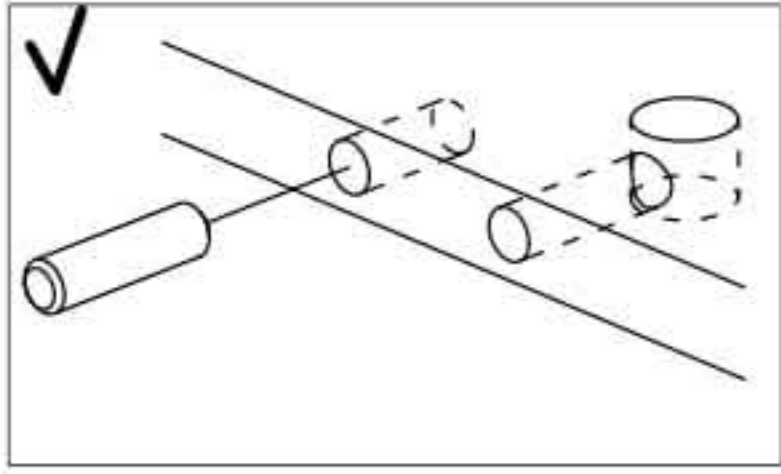


329x100x12 mm







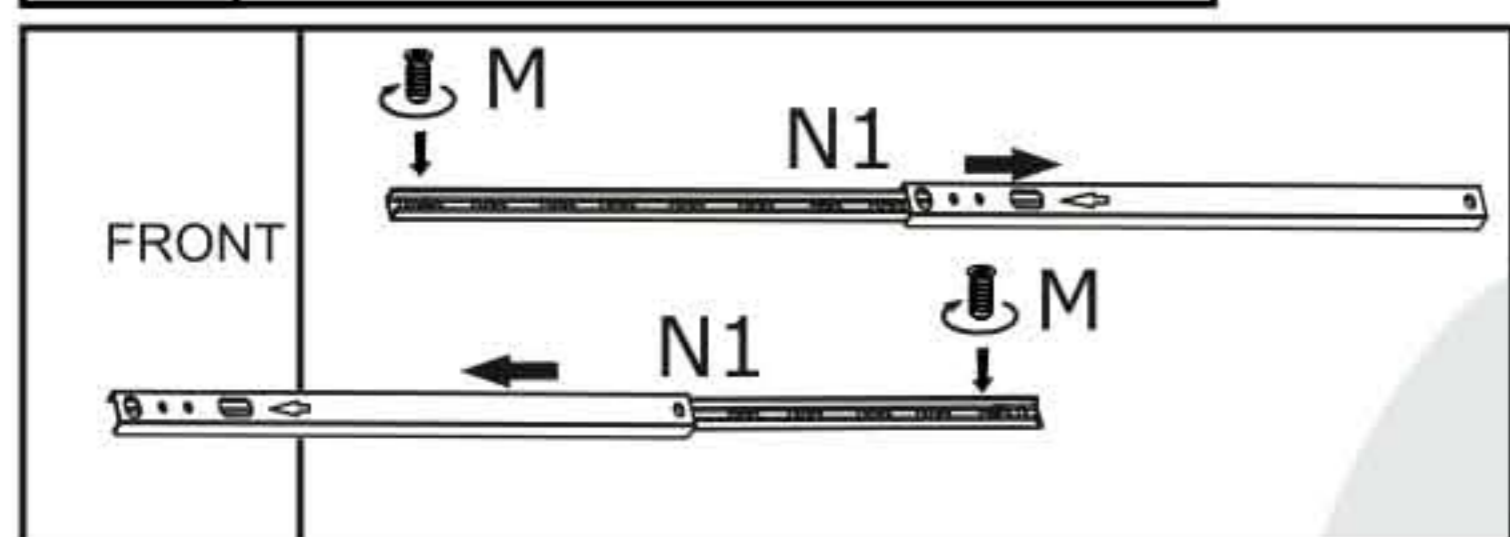
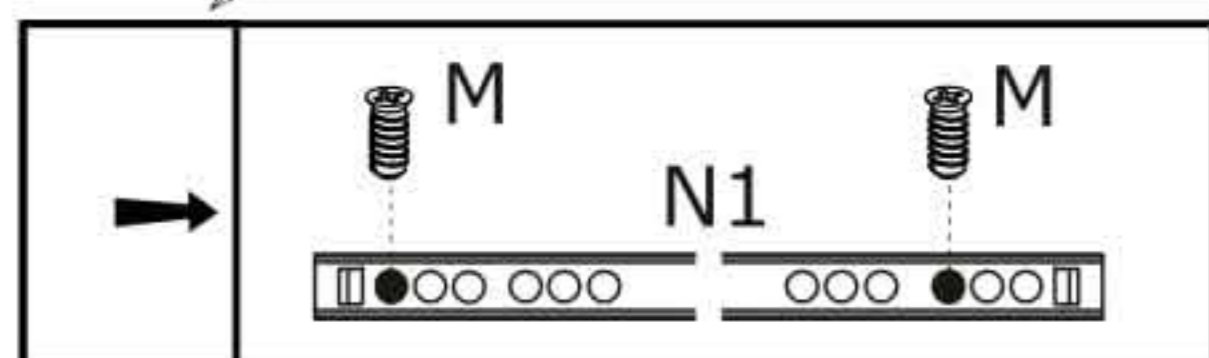
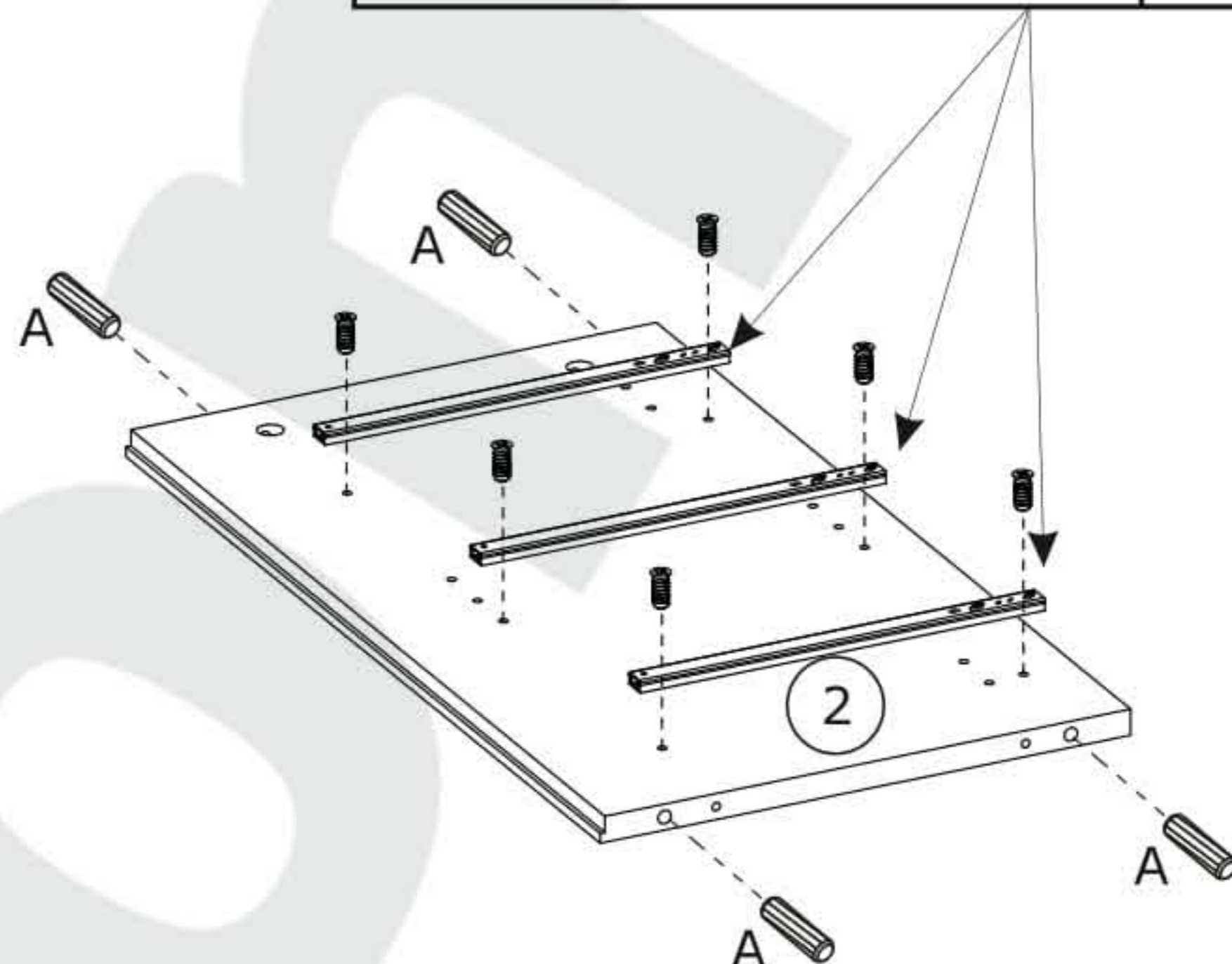
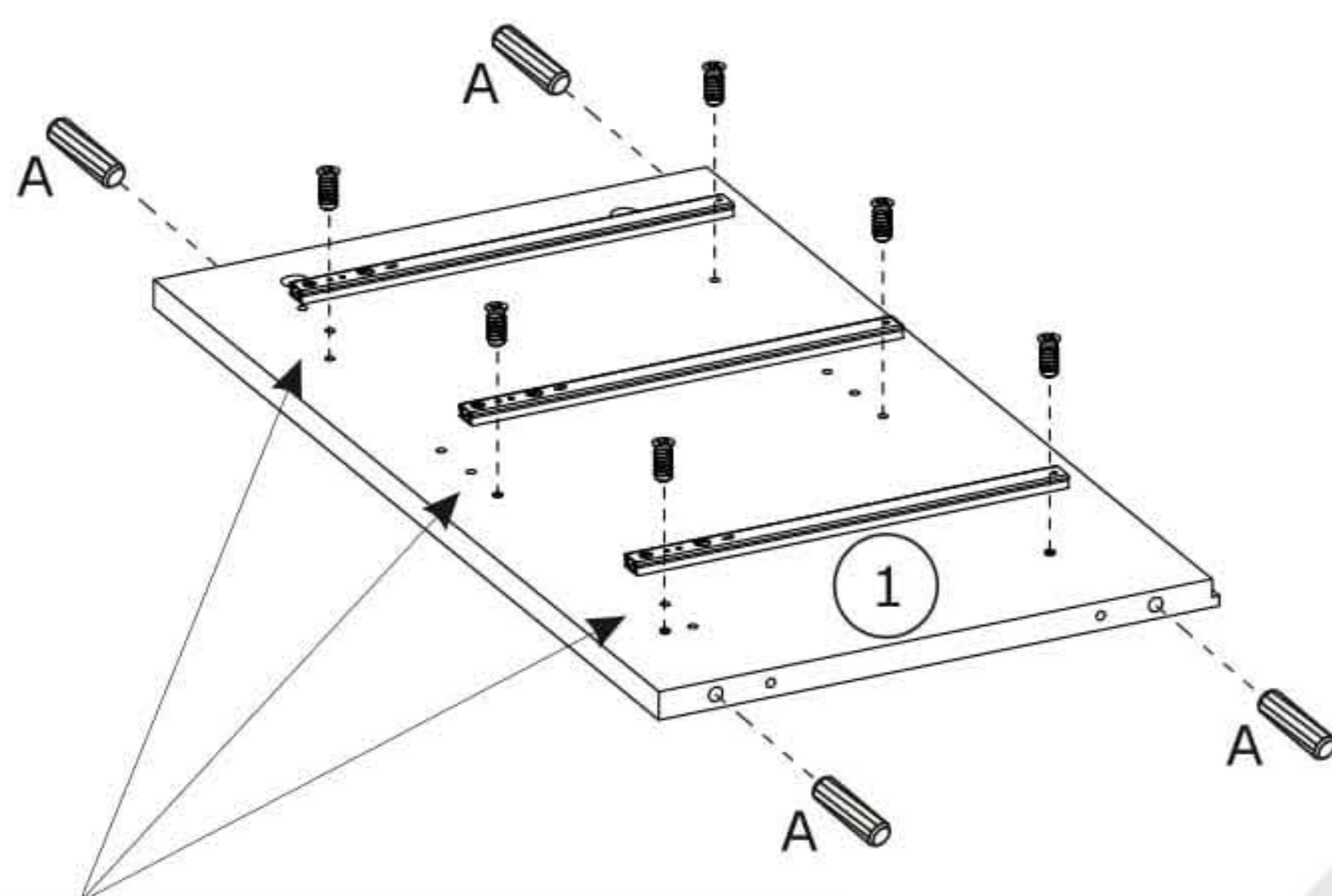
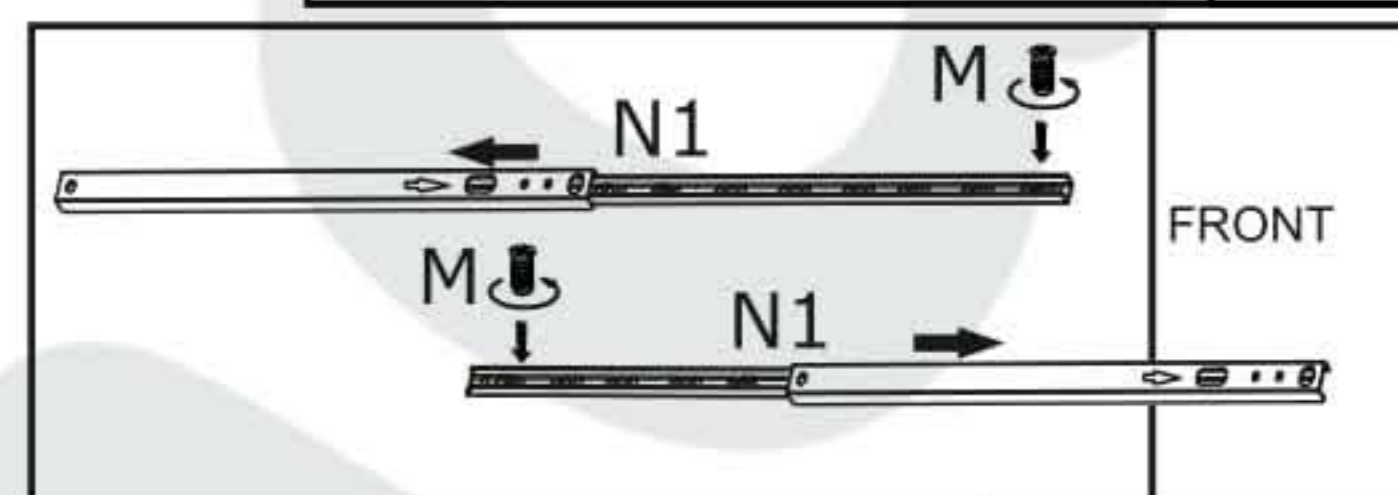
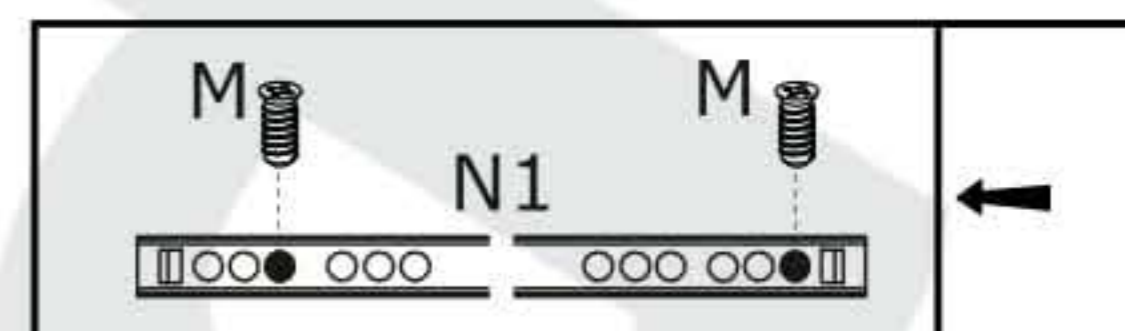
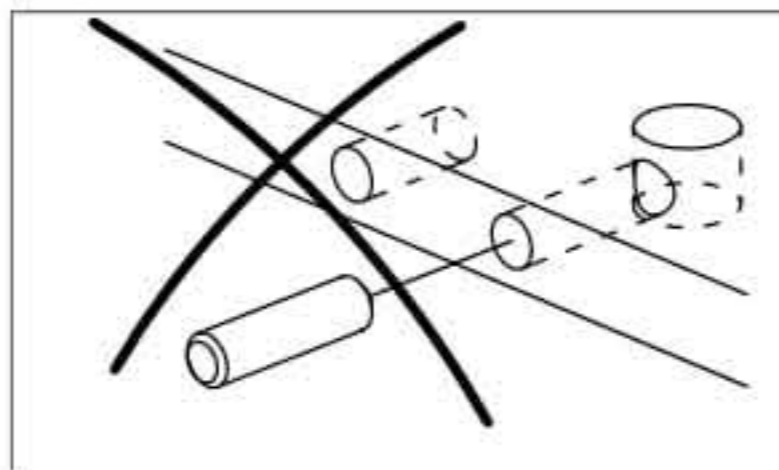
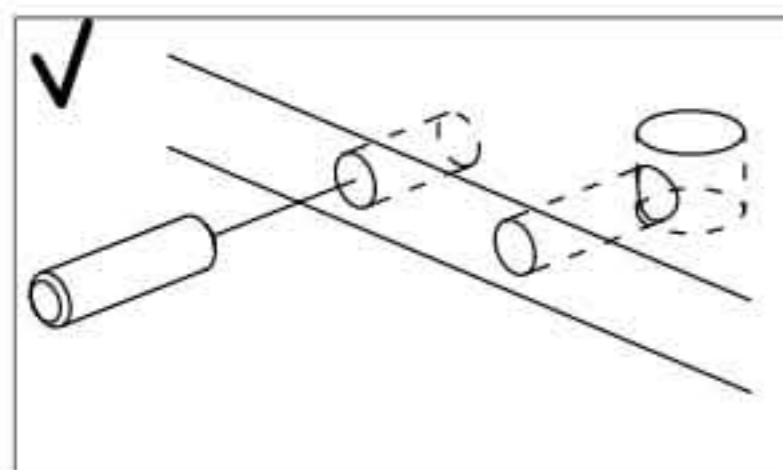
1

A x 8  Ø8x35 mm	O x 4  Ø5 mm	M x 12  Ø6,3x13 mm	N1 x 6  278 mm	
--	---	---	---	---



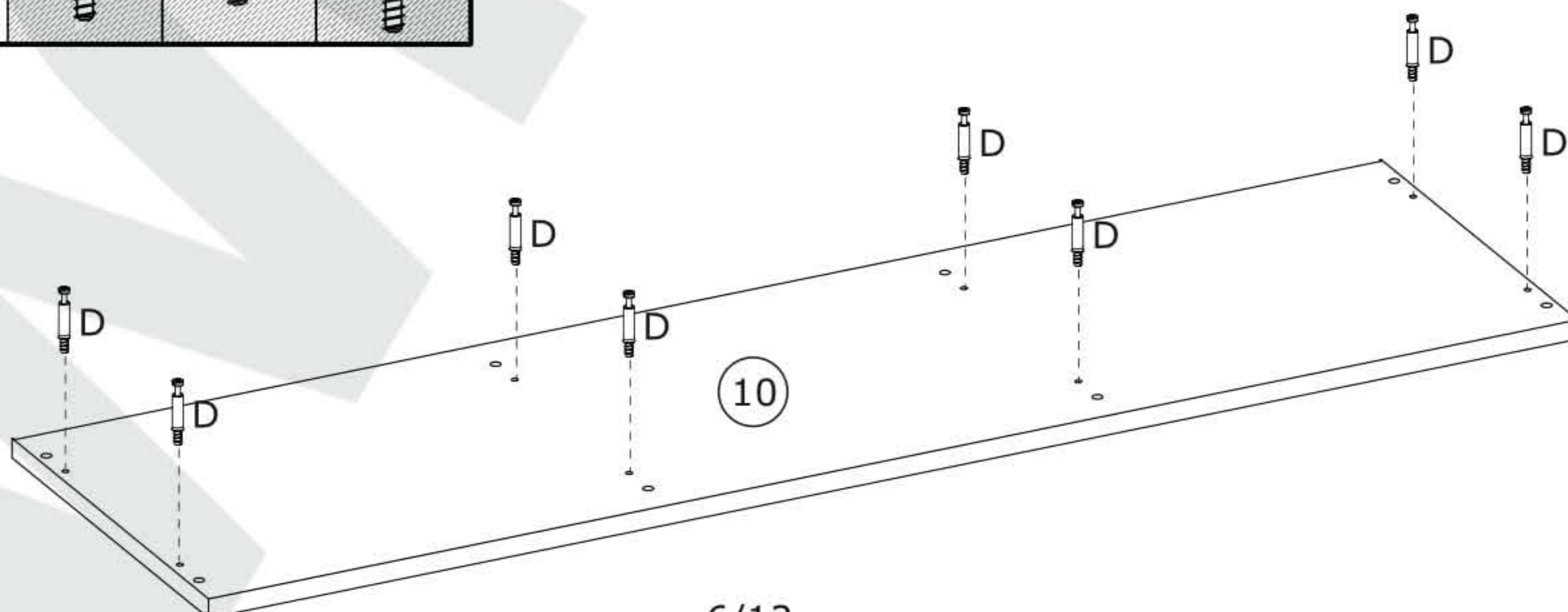
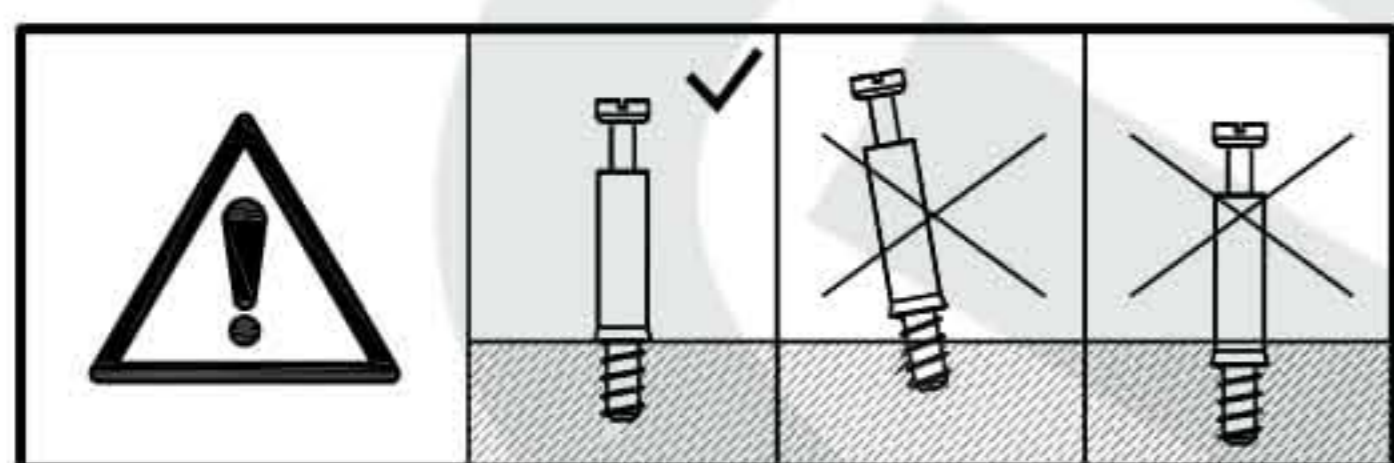
2

A x 8  Ø8x35 mm	M x 12  Ø6,3x13 mm	N1 x 6  278 mm	
--	---	--	---



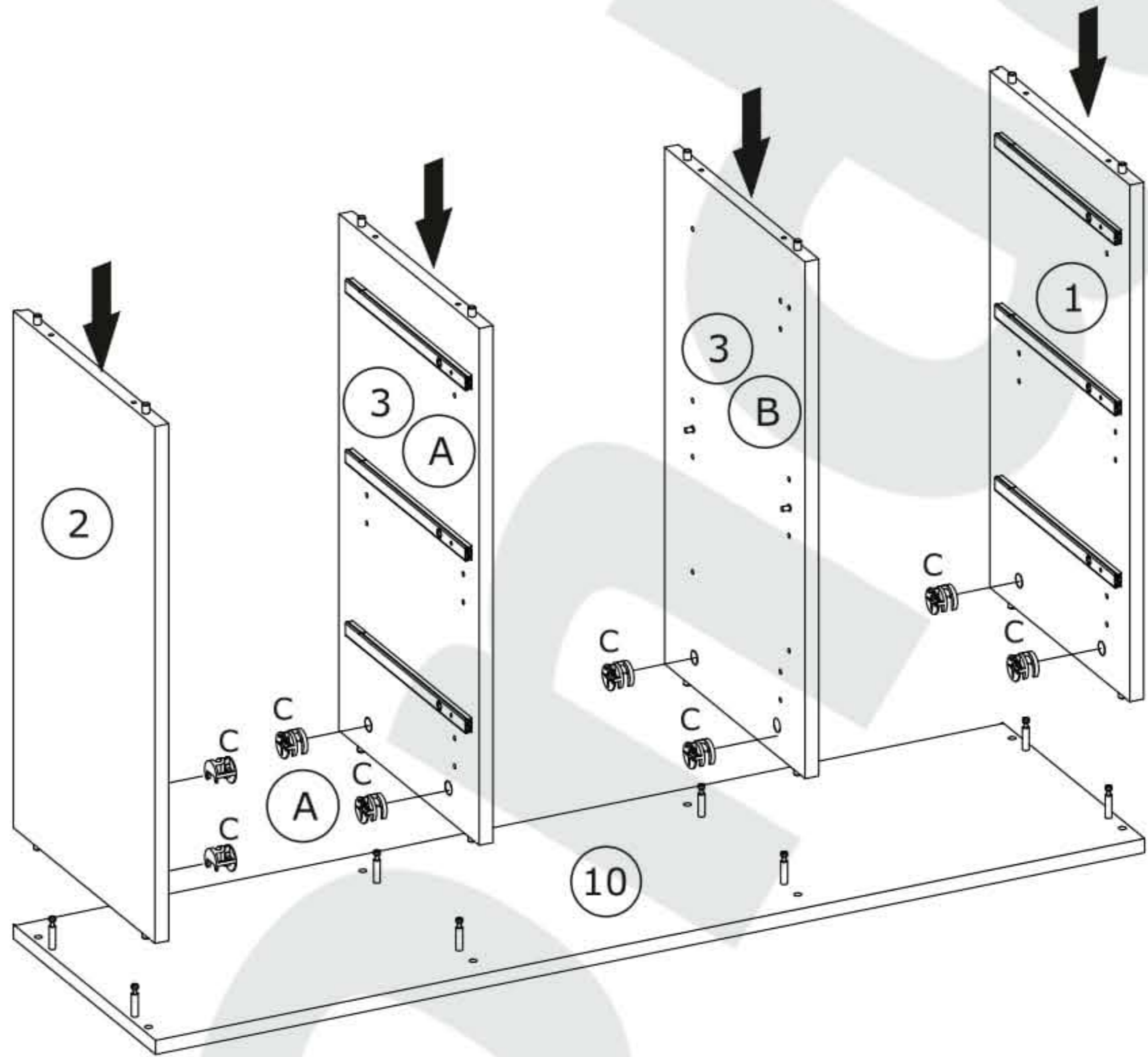
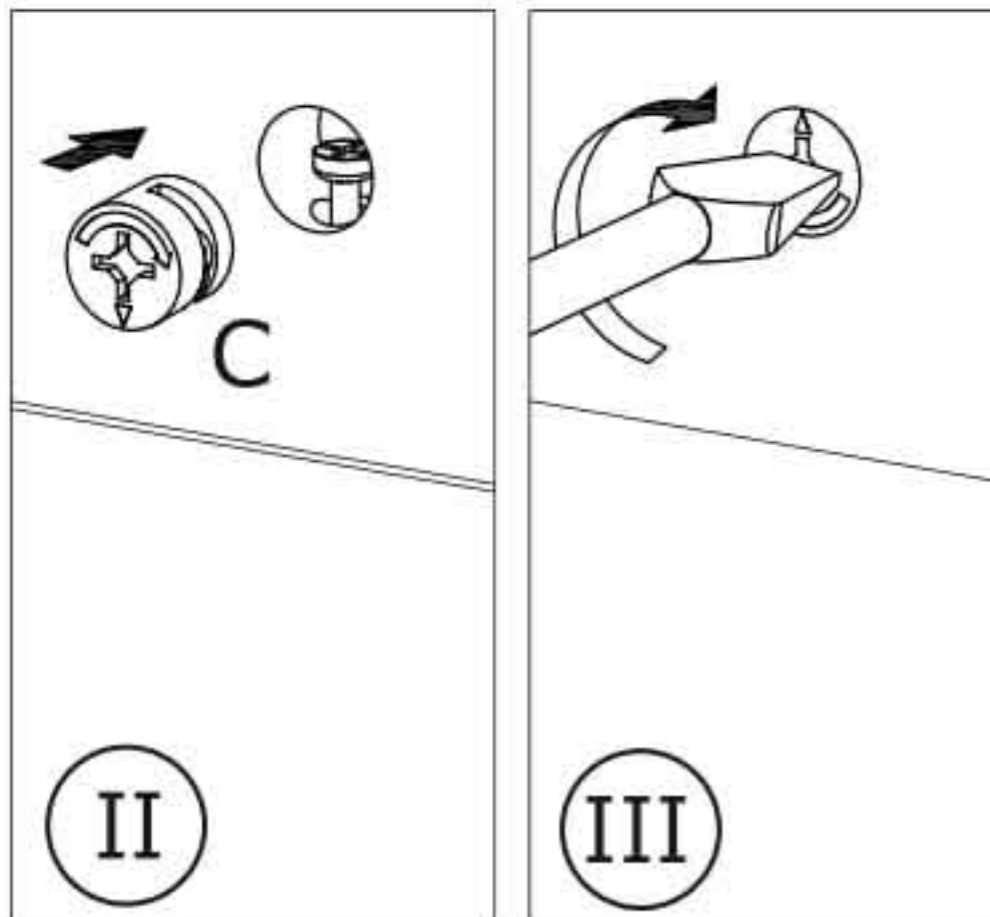
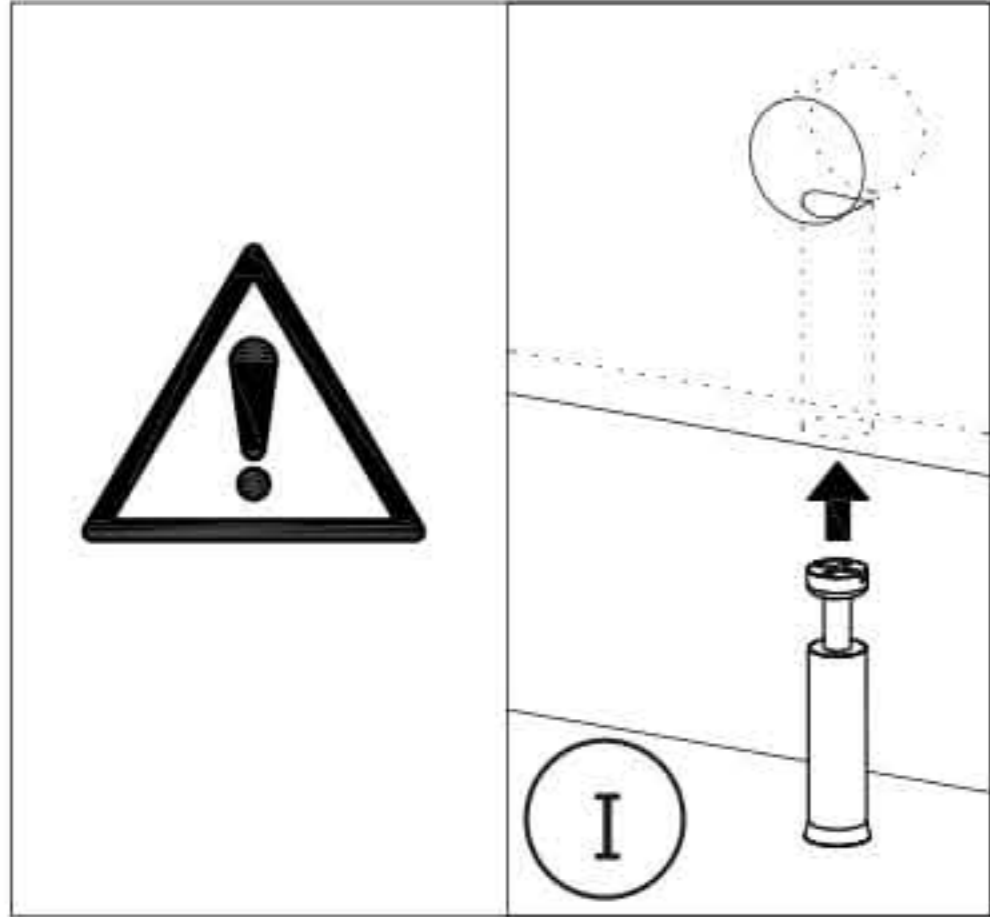
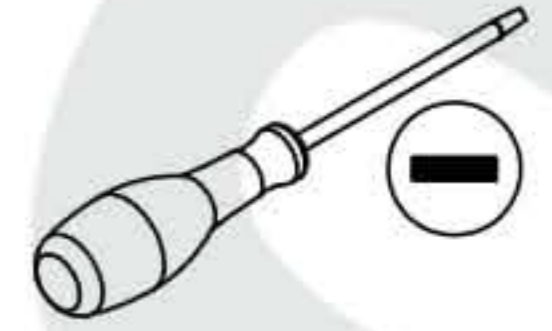
3

D x 8  Ø5x44 mm	
--	---



4

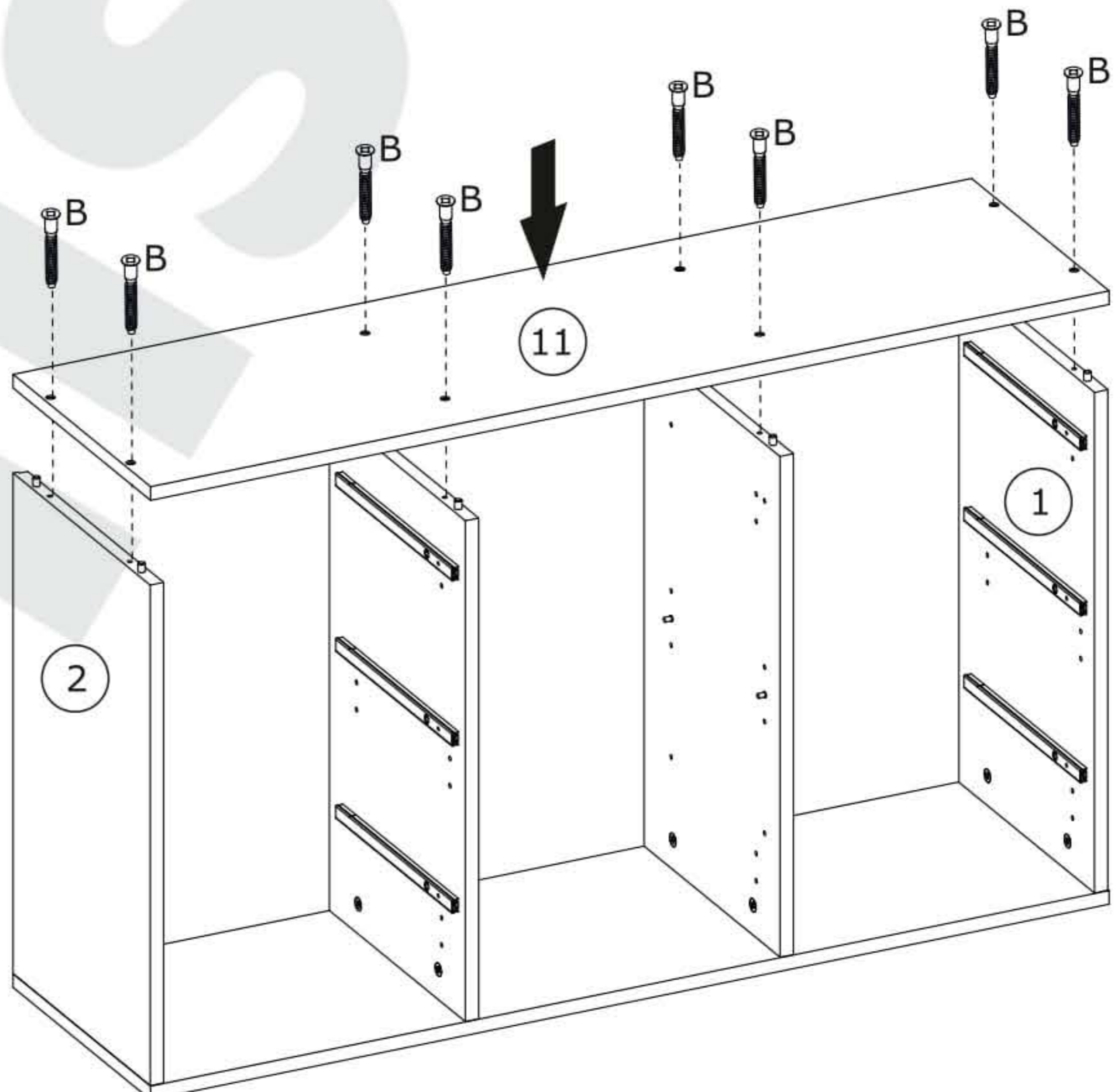
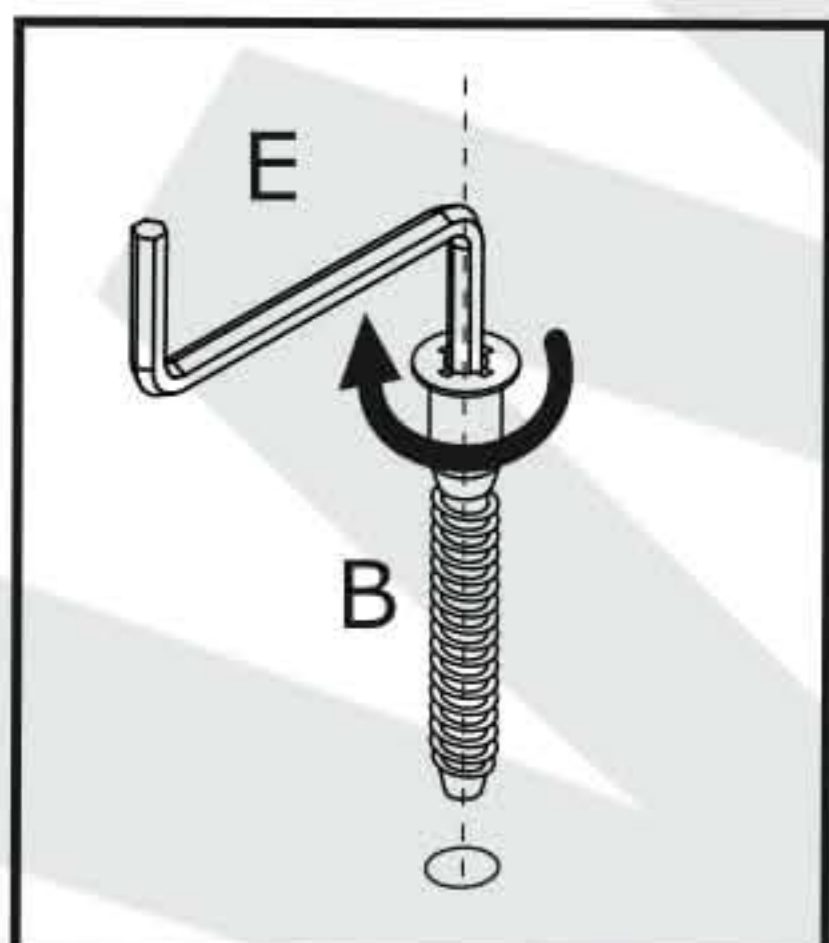
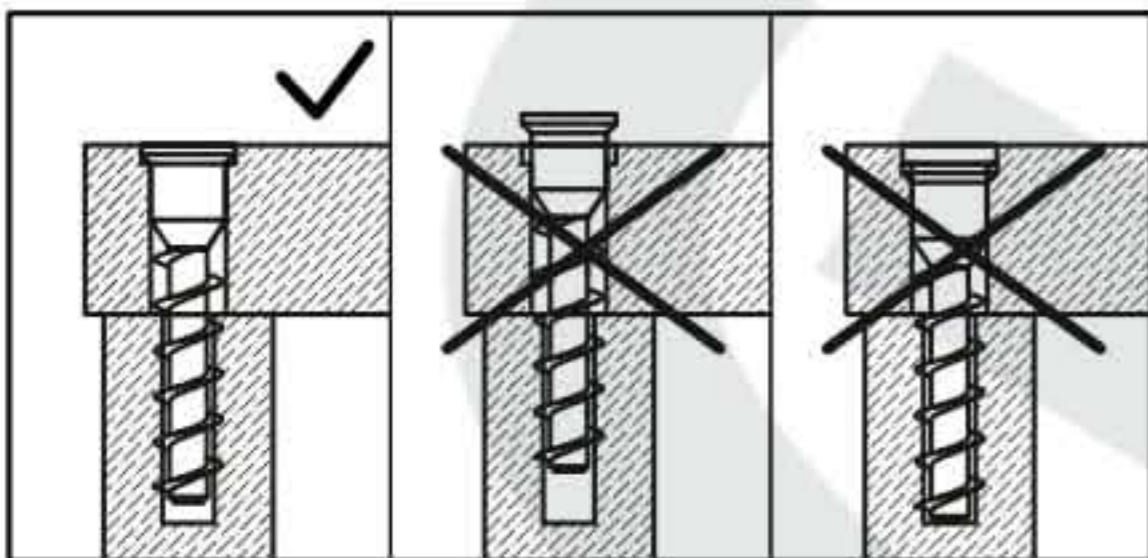
C x 8
Ø15x12 mm



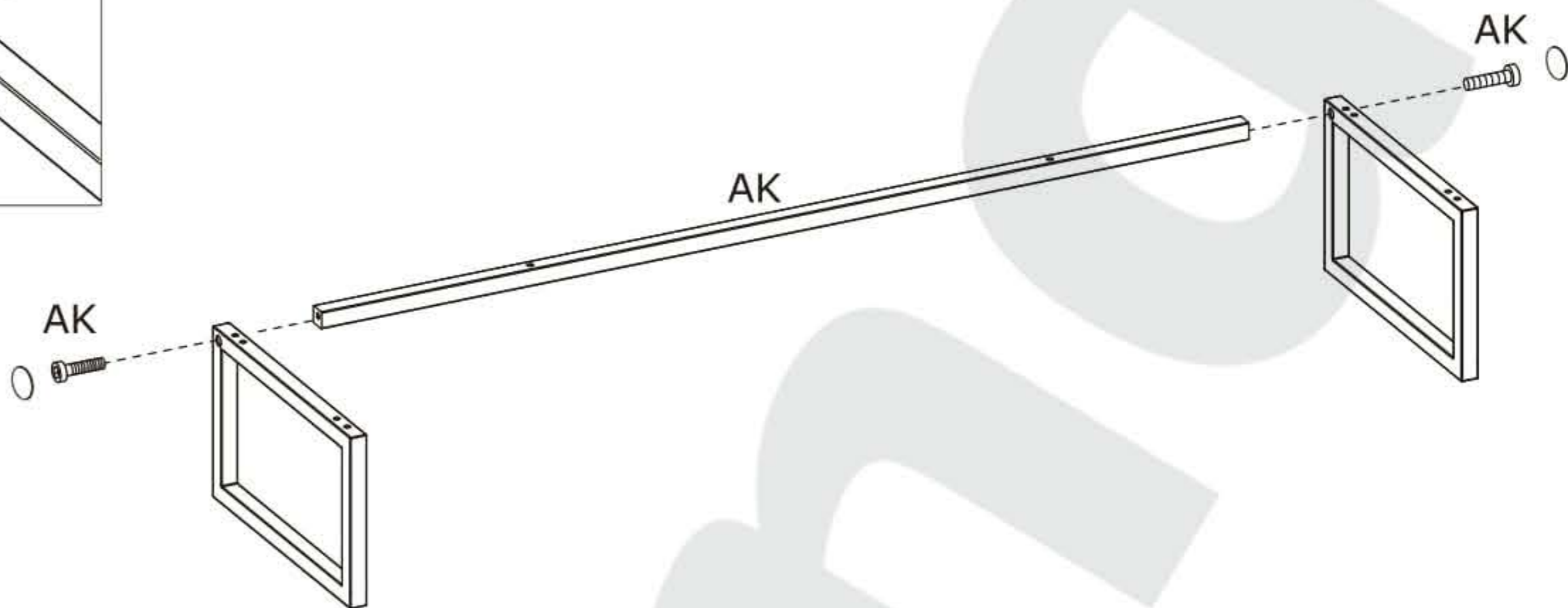
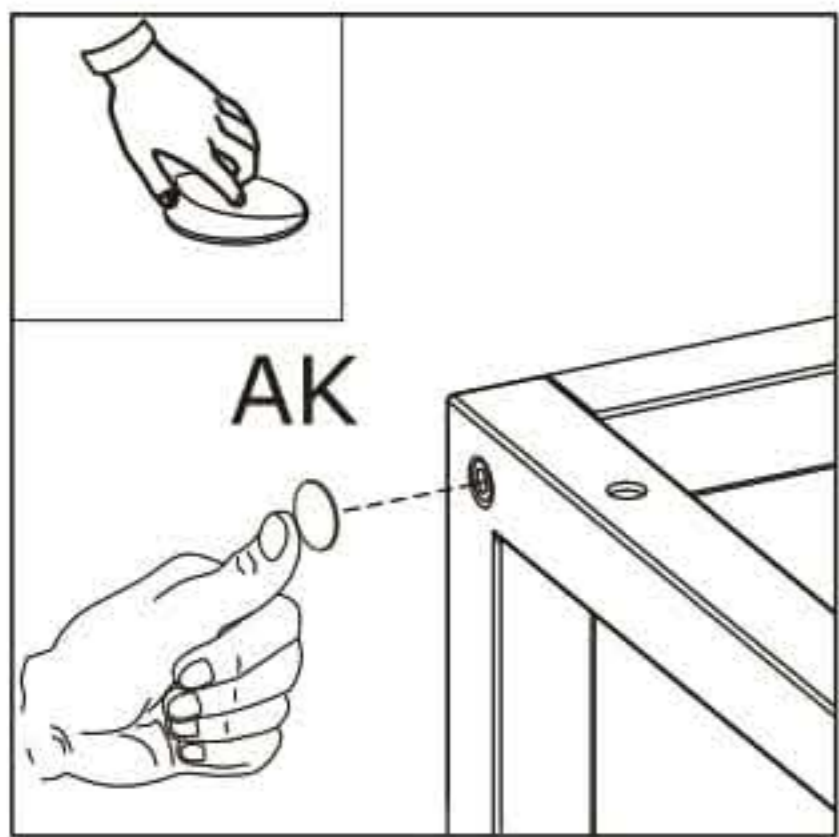
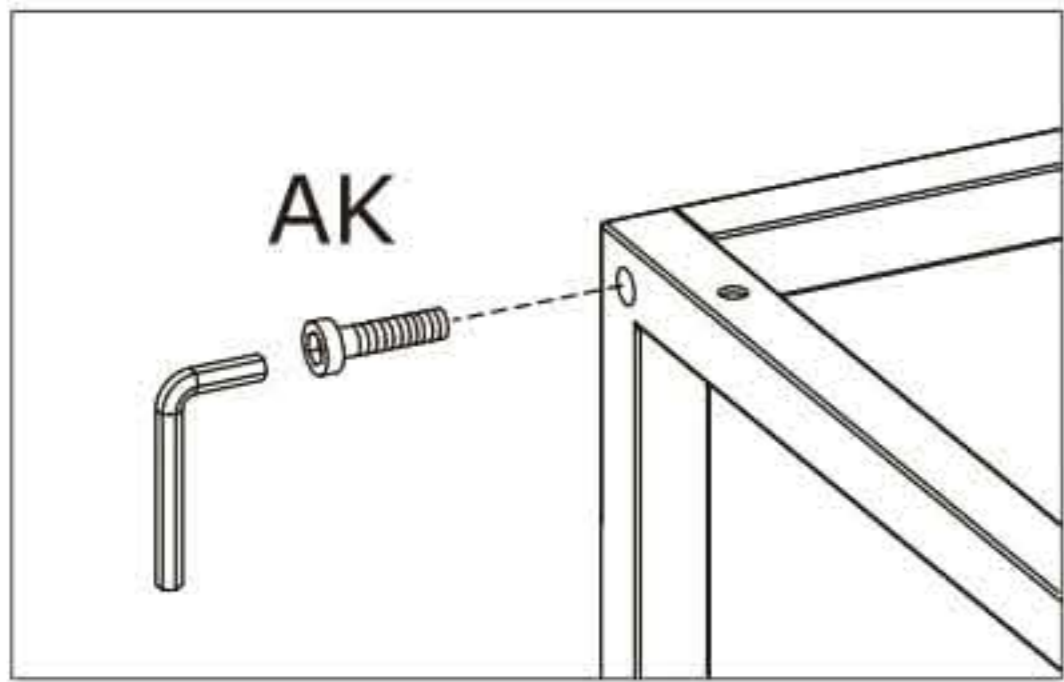
5

B x 8
Ø7x50 mm

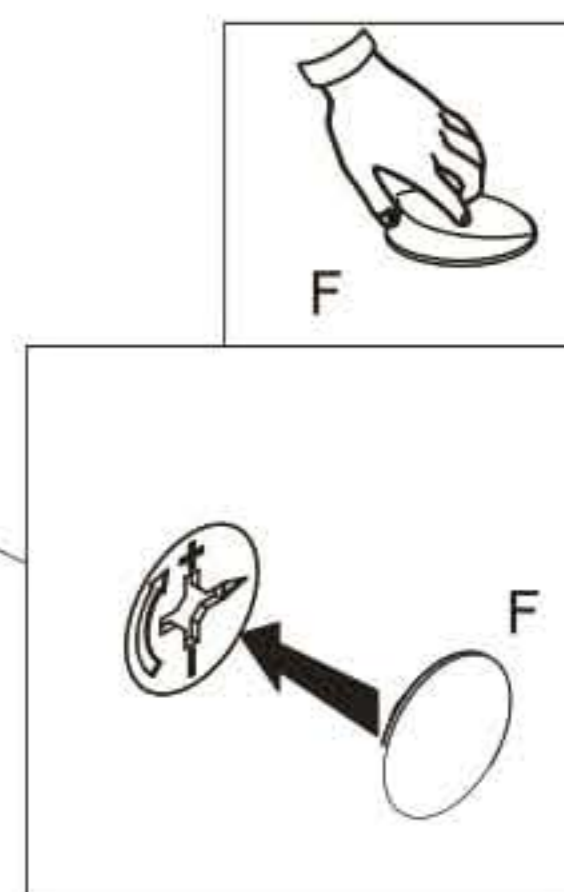
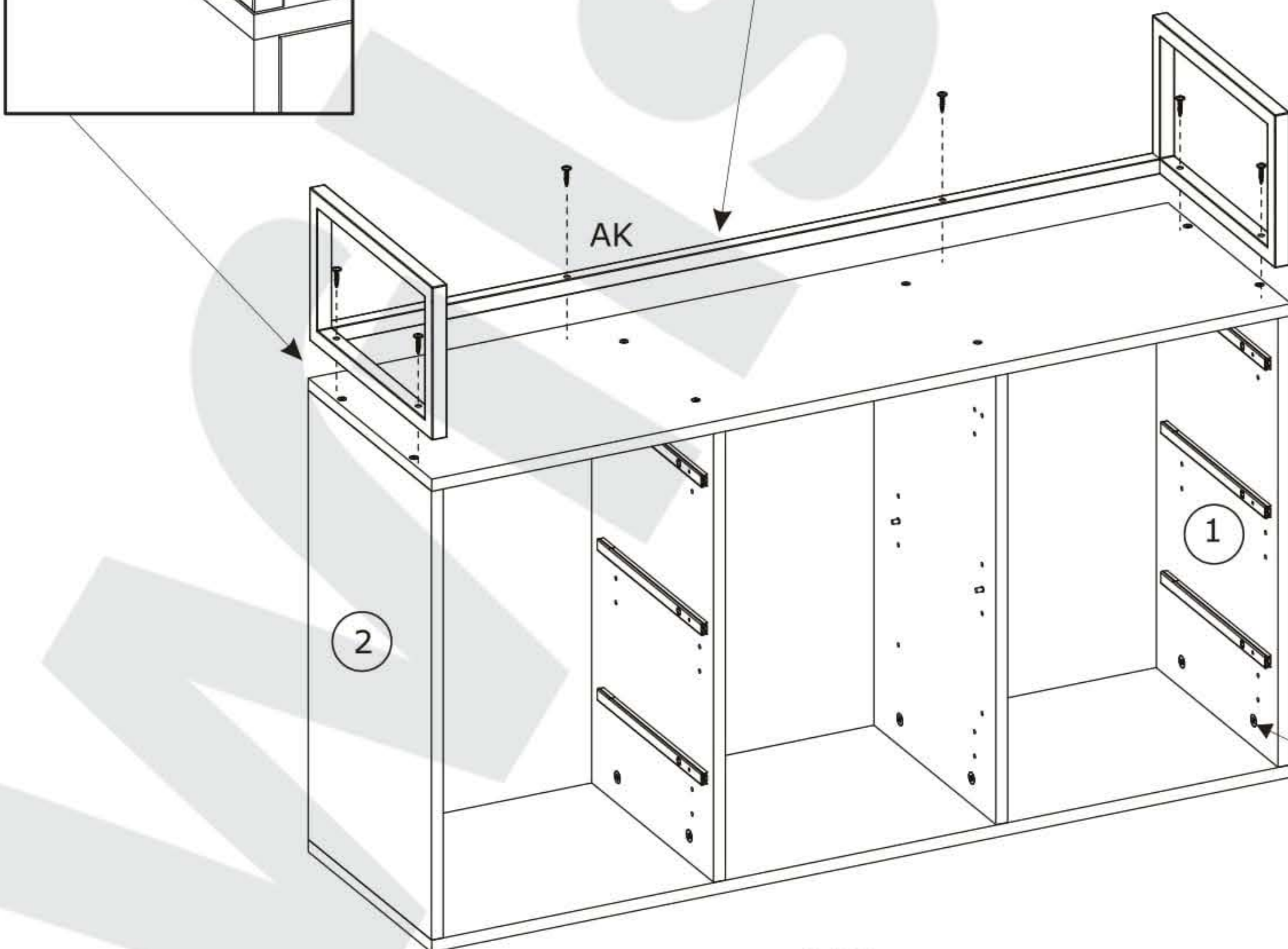
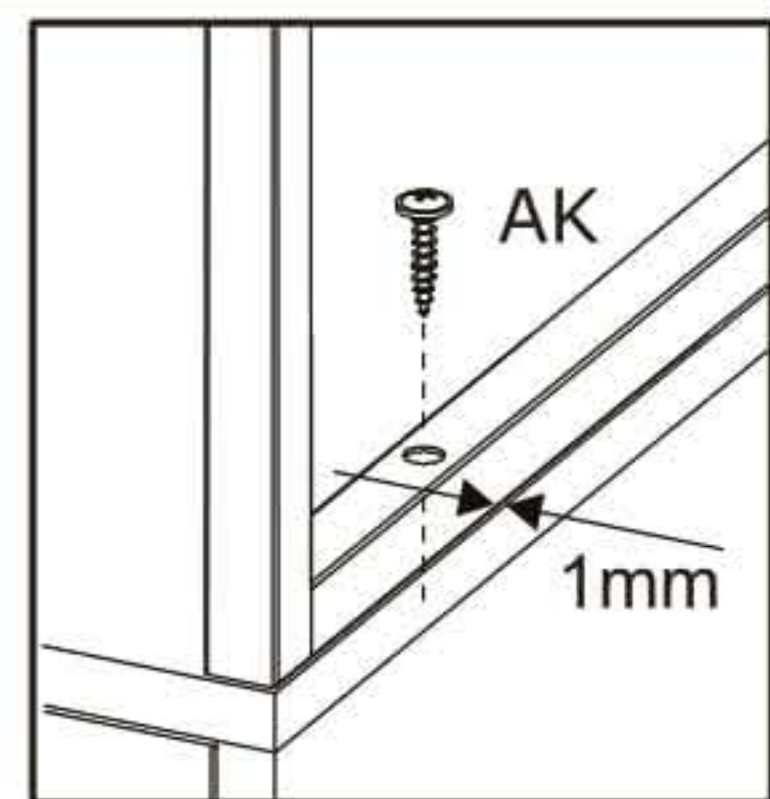
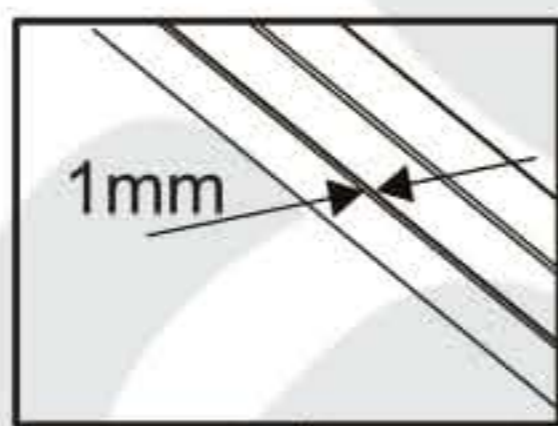
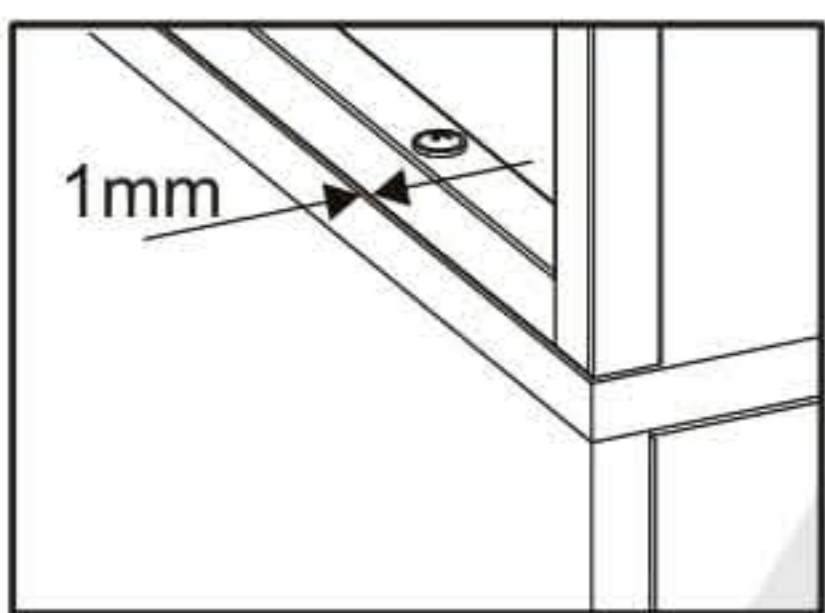
E x 1
4 mm




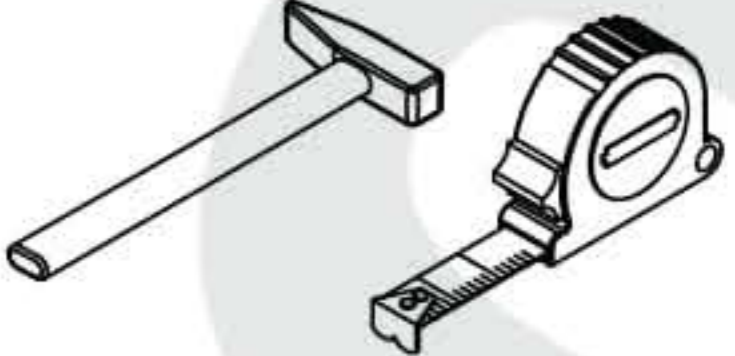
6




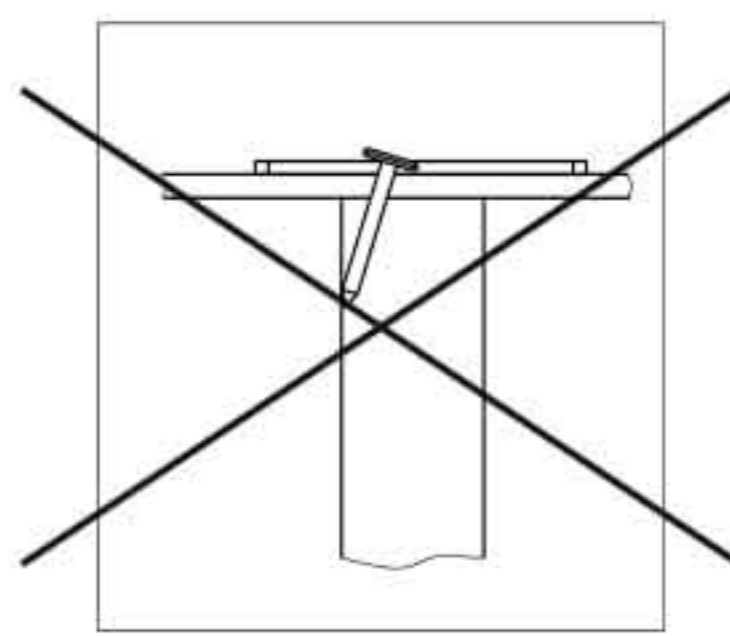
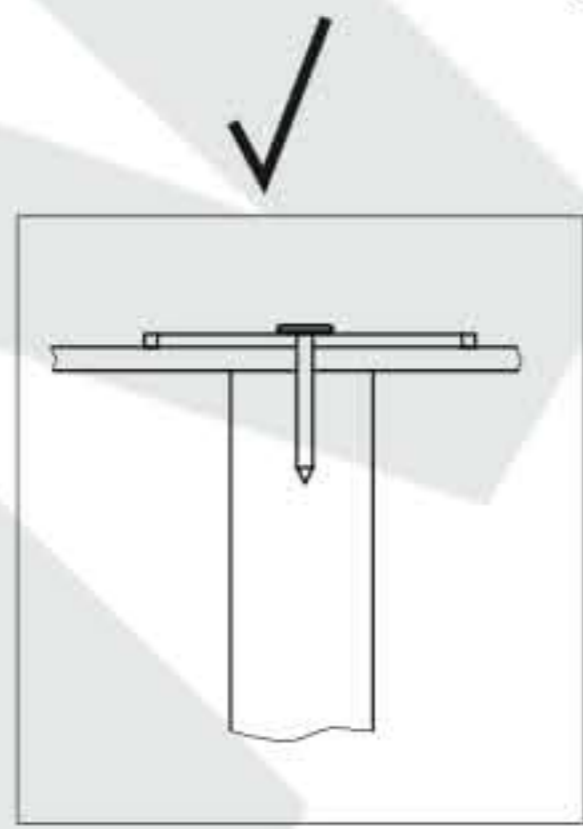
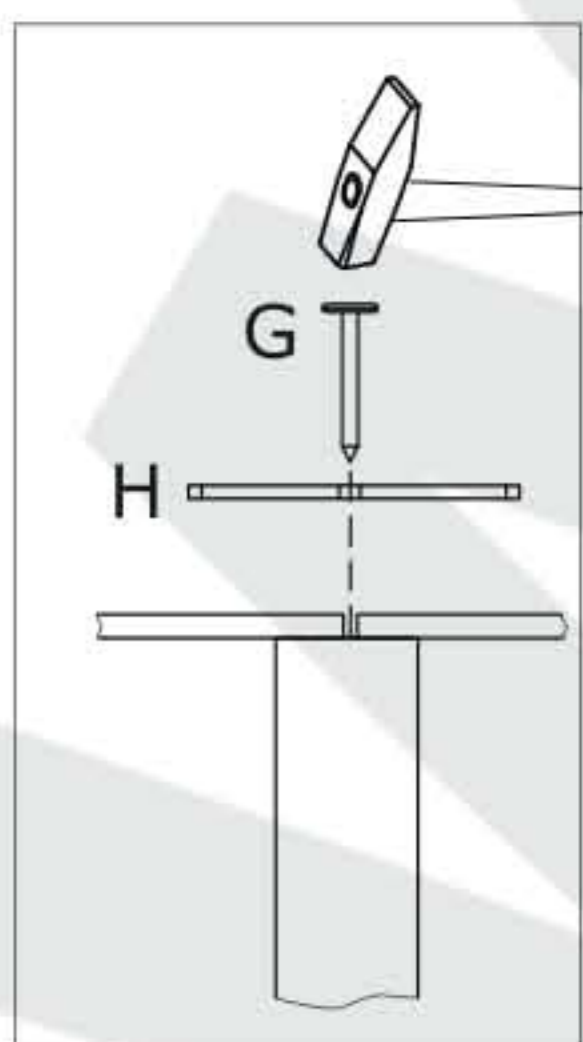
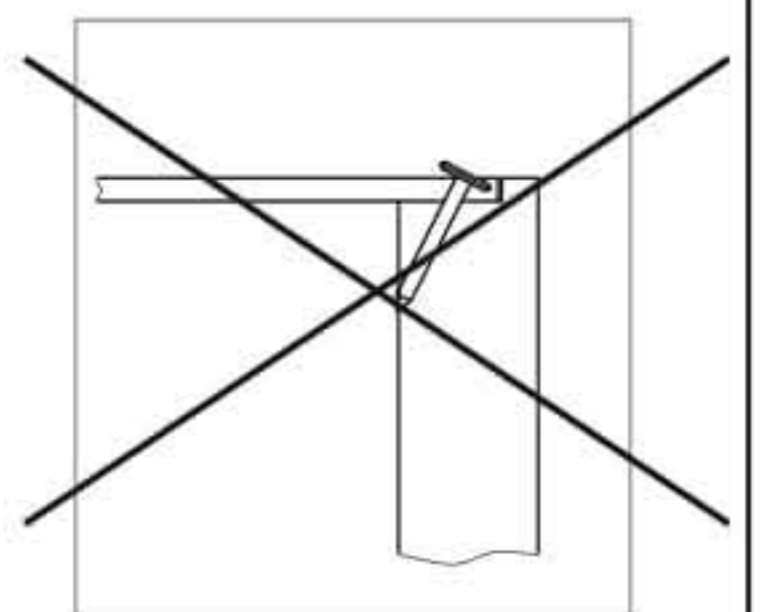
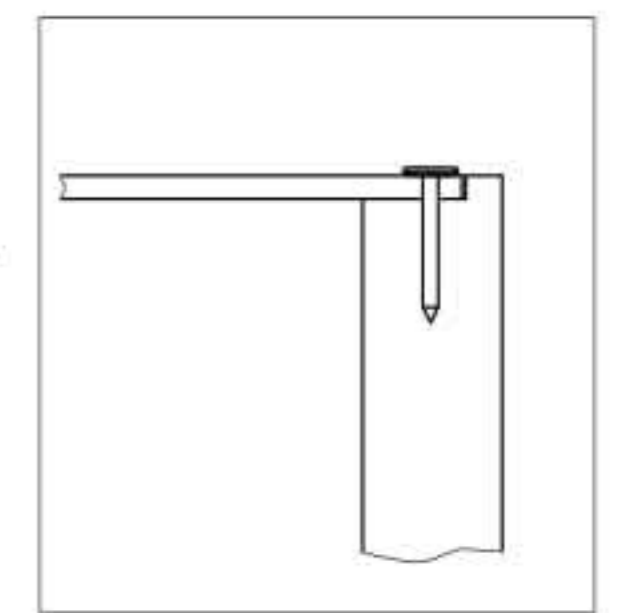
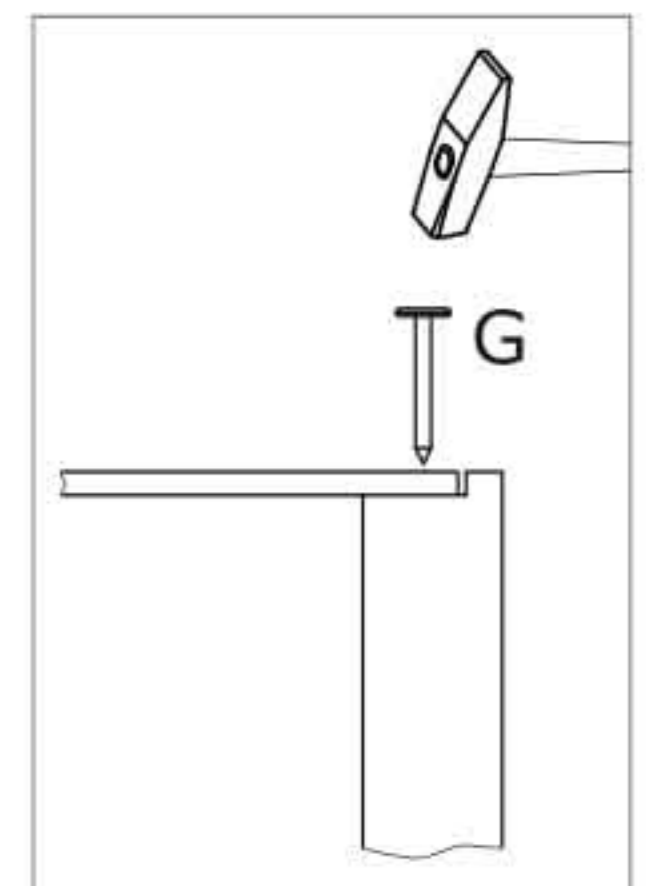
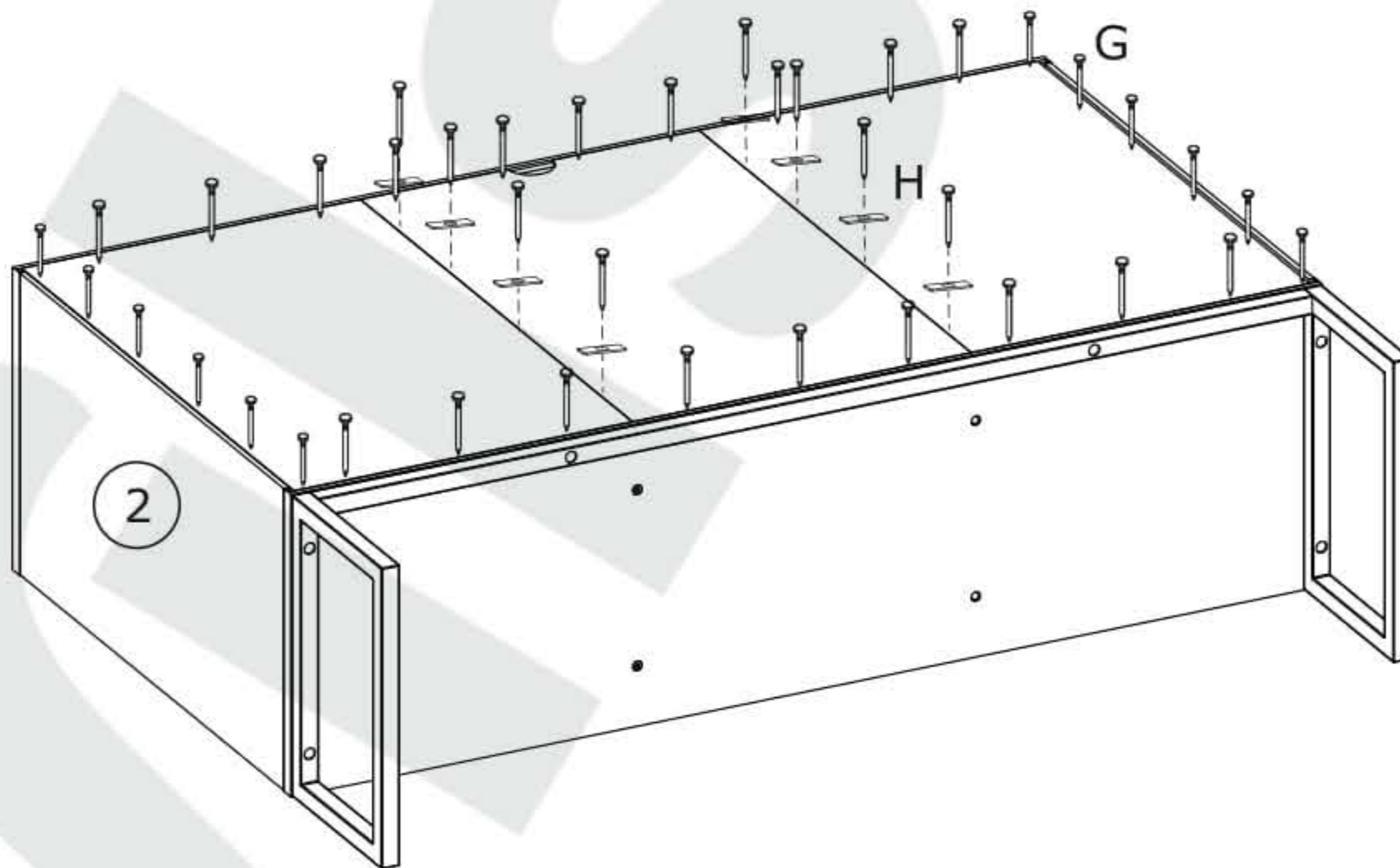
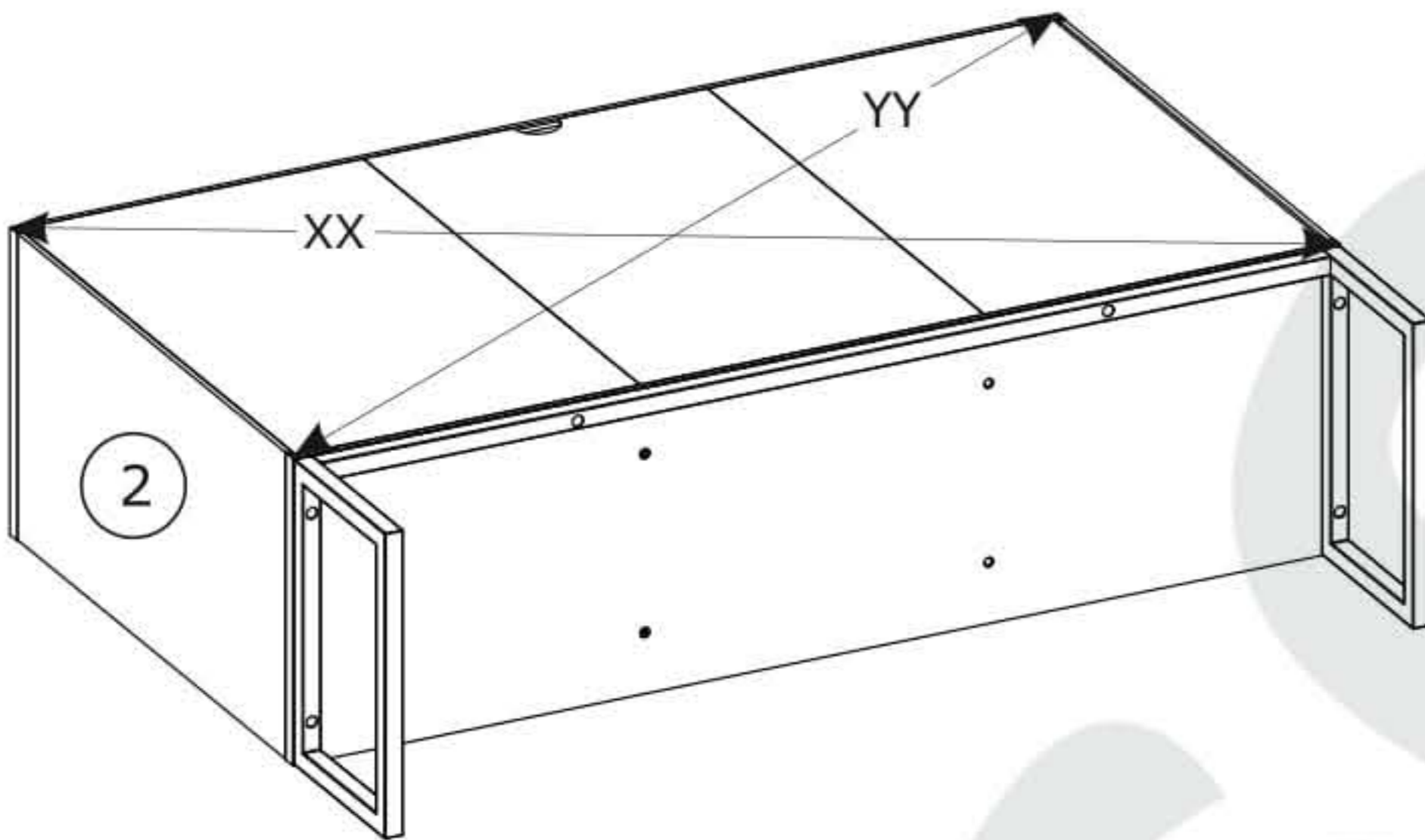
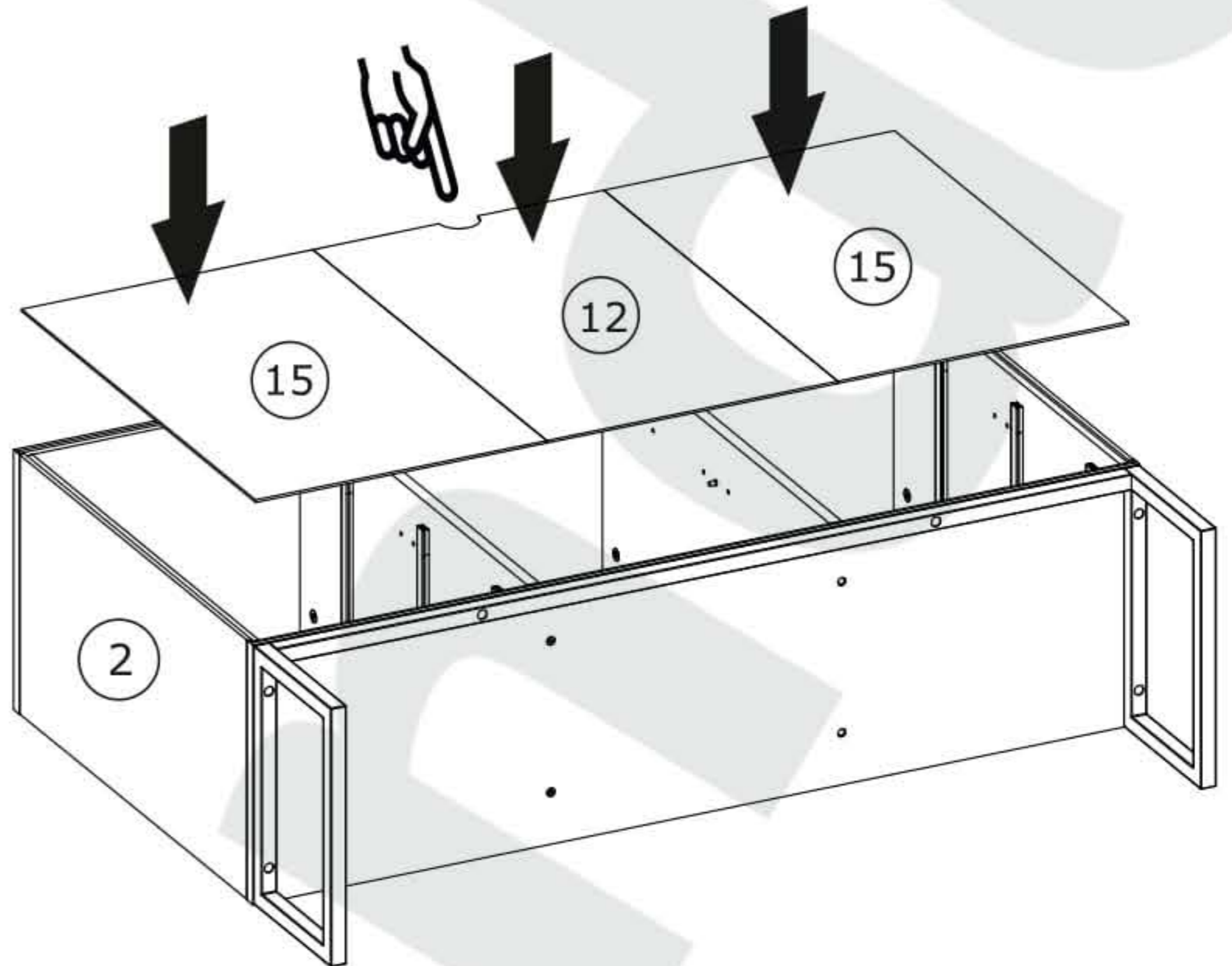
7



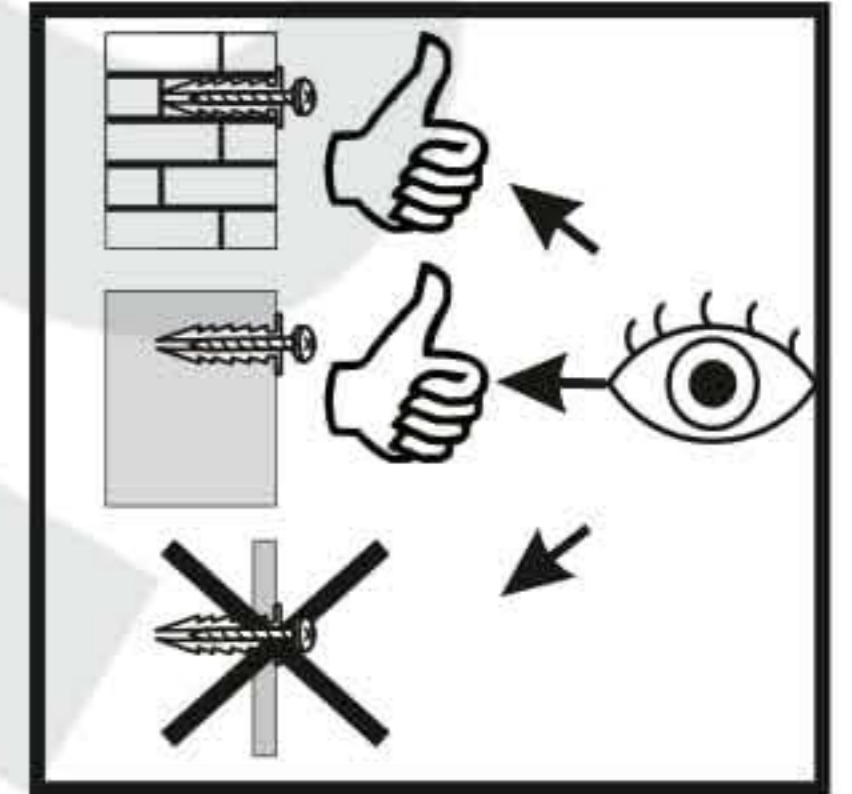
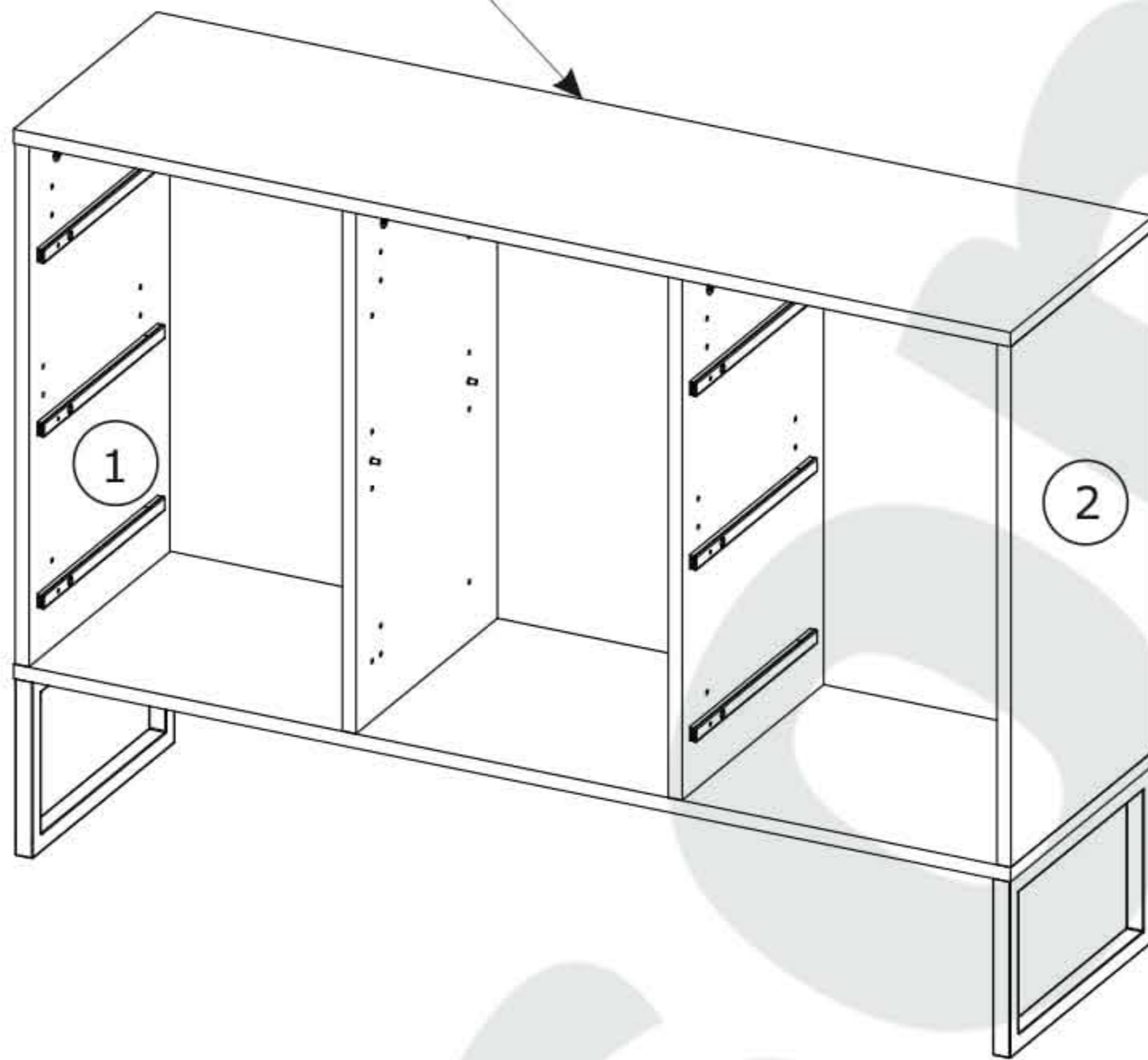
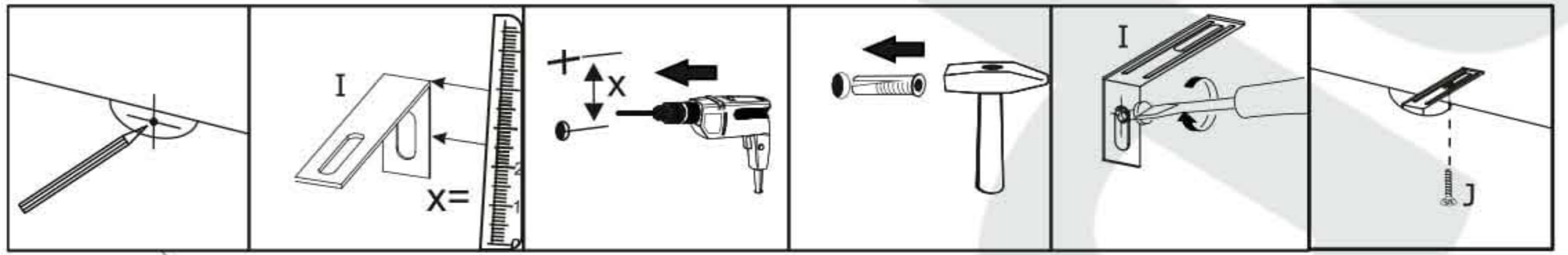
8

G x 40  1.2x25 mm	H x 8  22x9x2 mm	
--	---	---

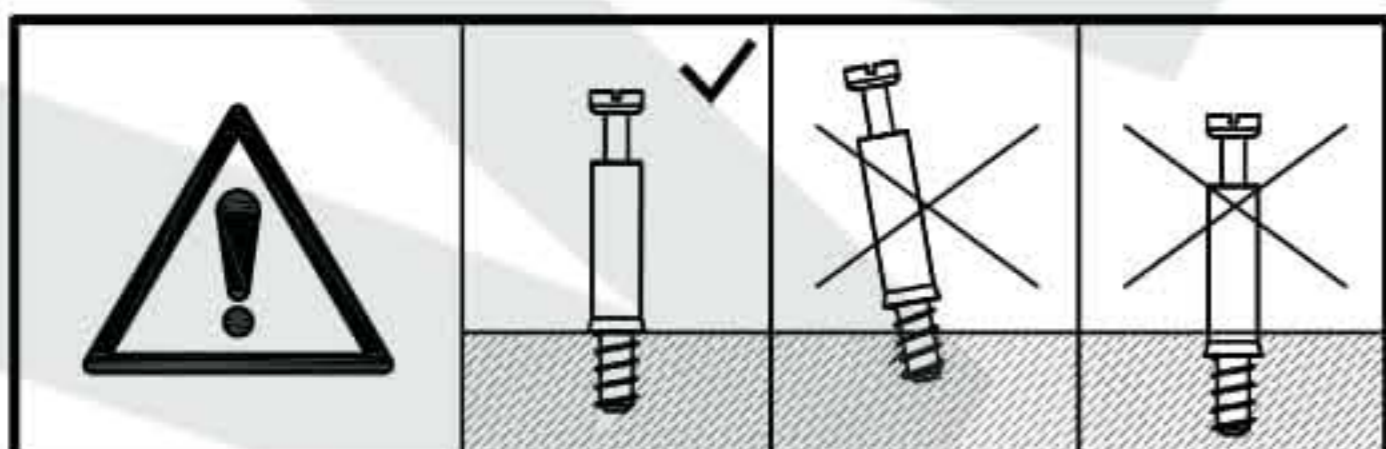
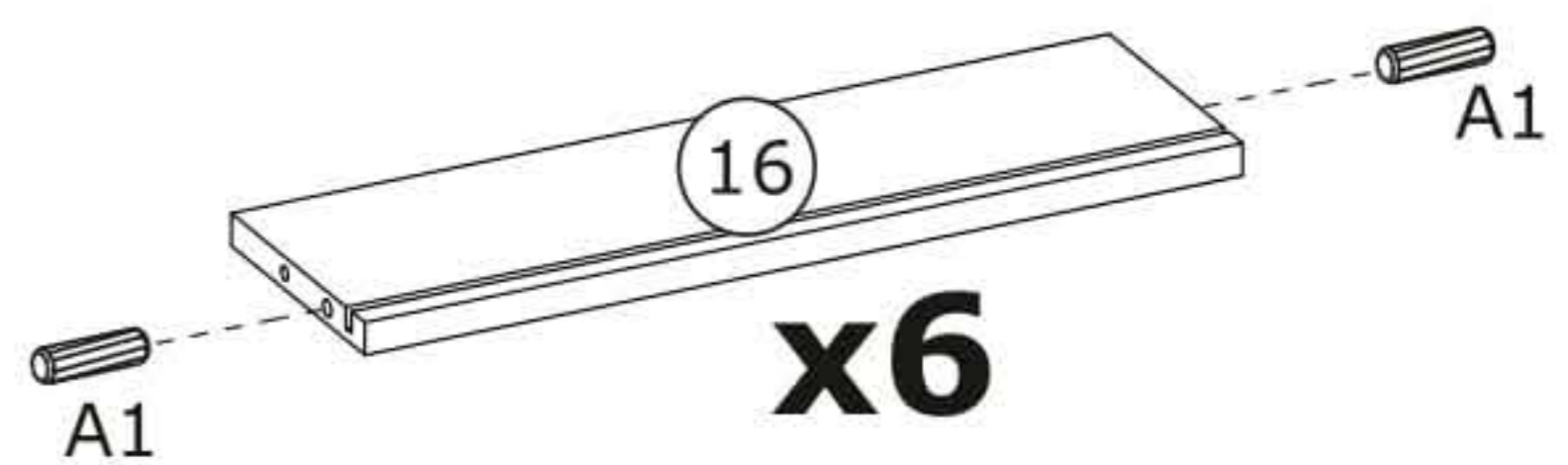
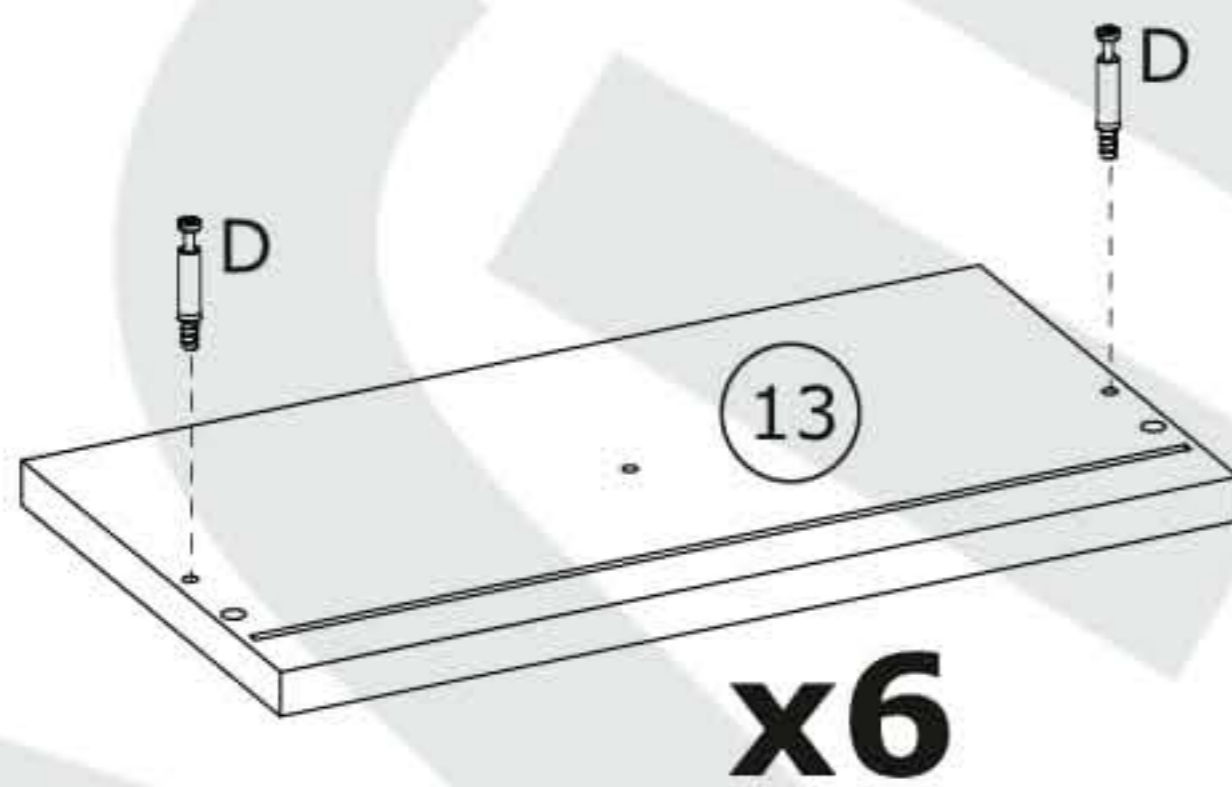
 $XX=YY=90^\circ$





9

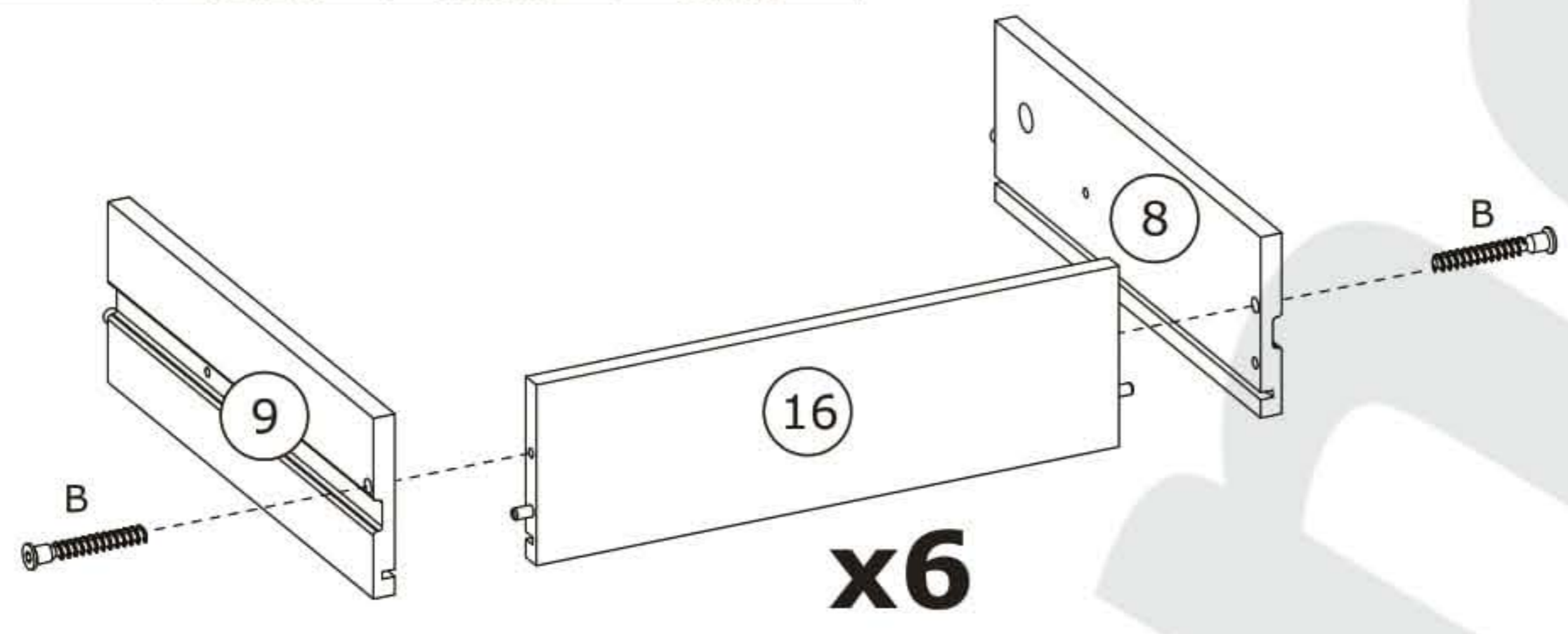
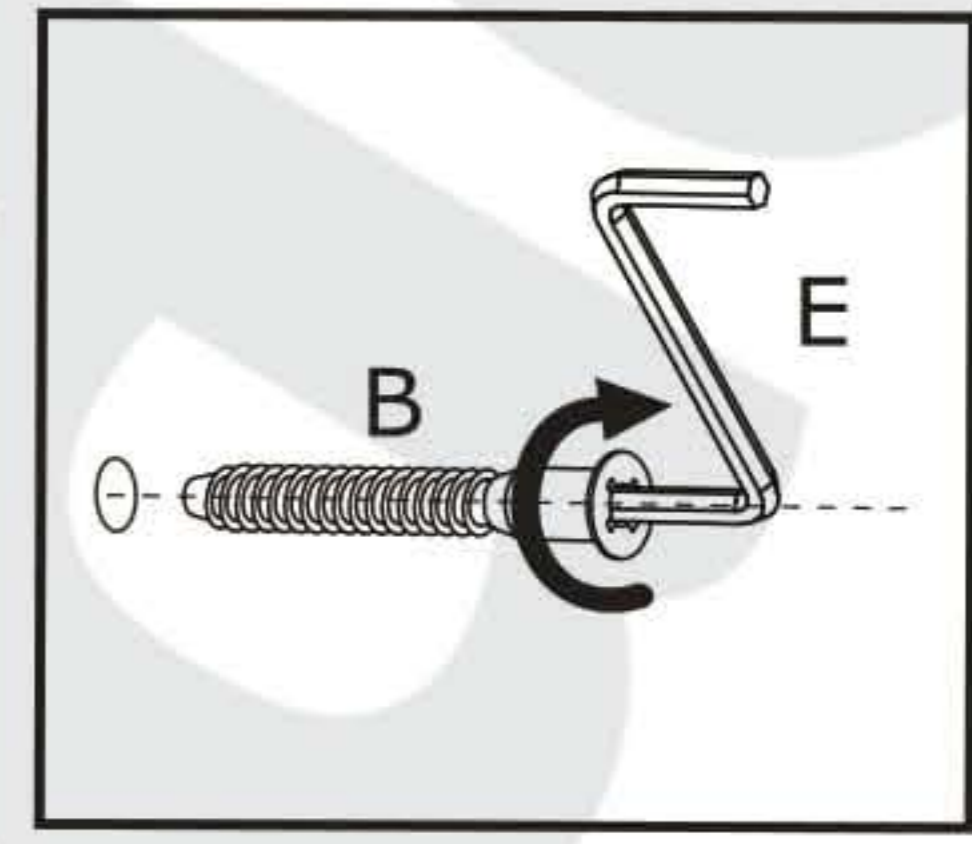
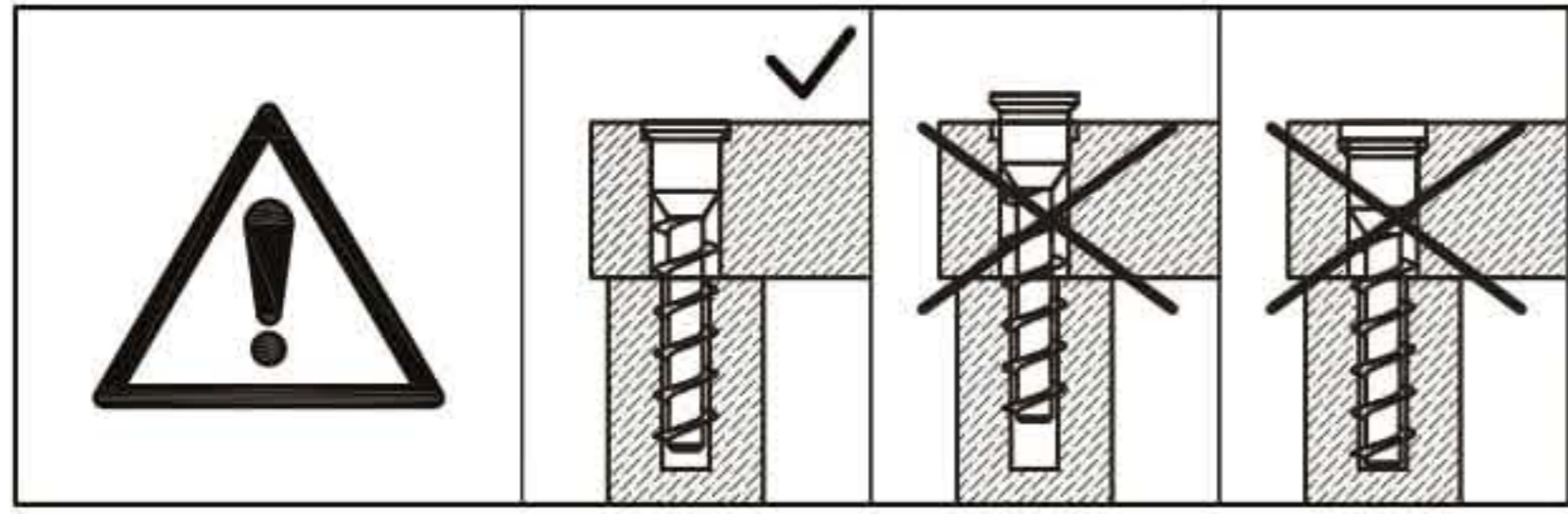


10



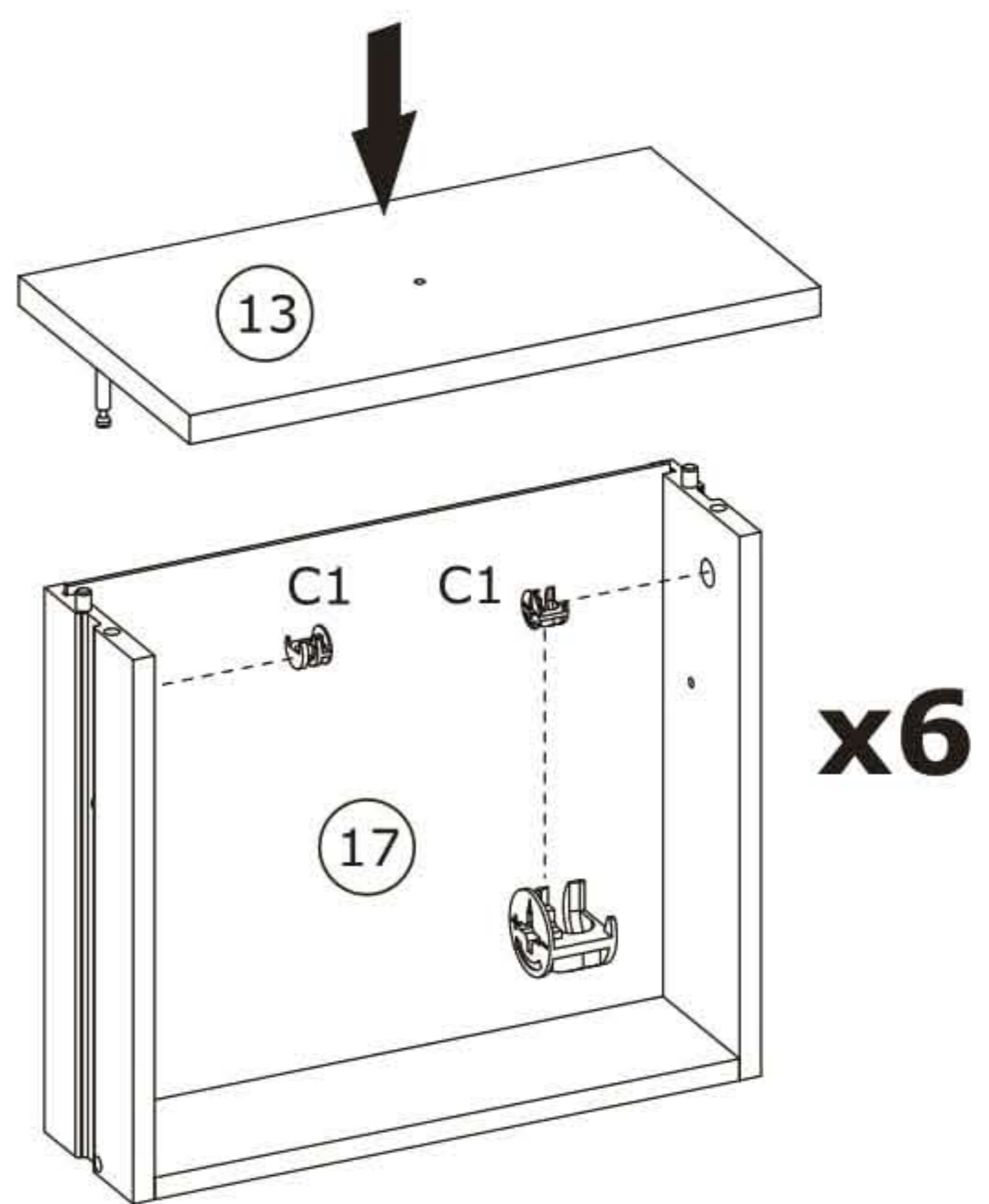
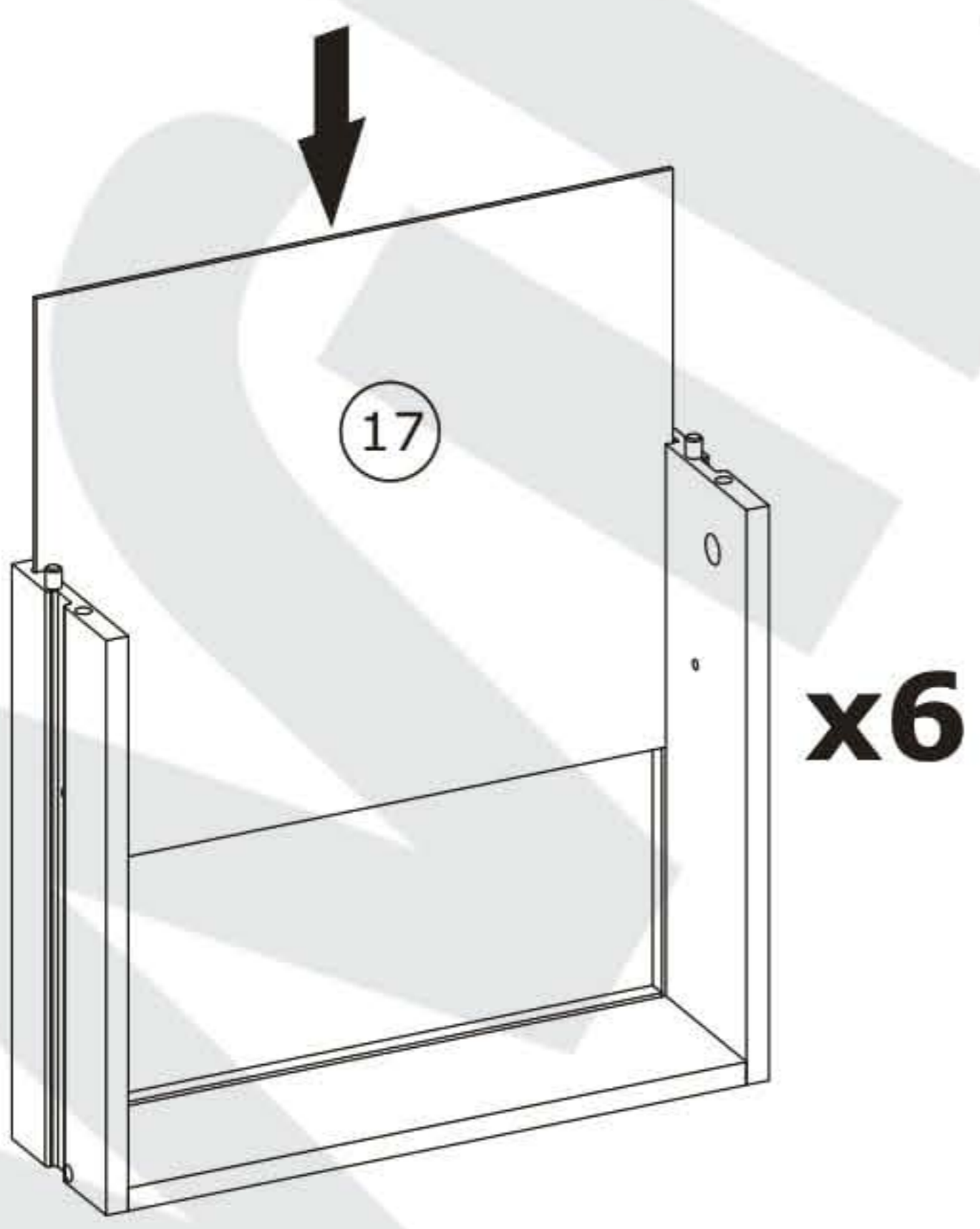
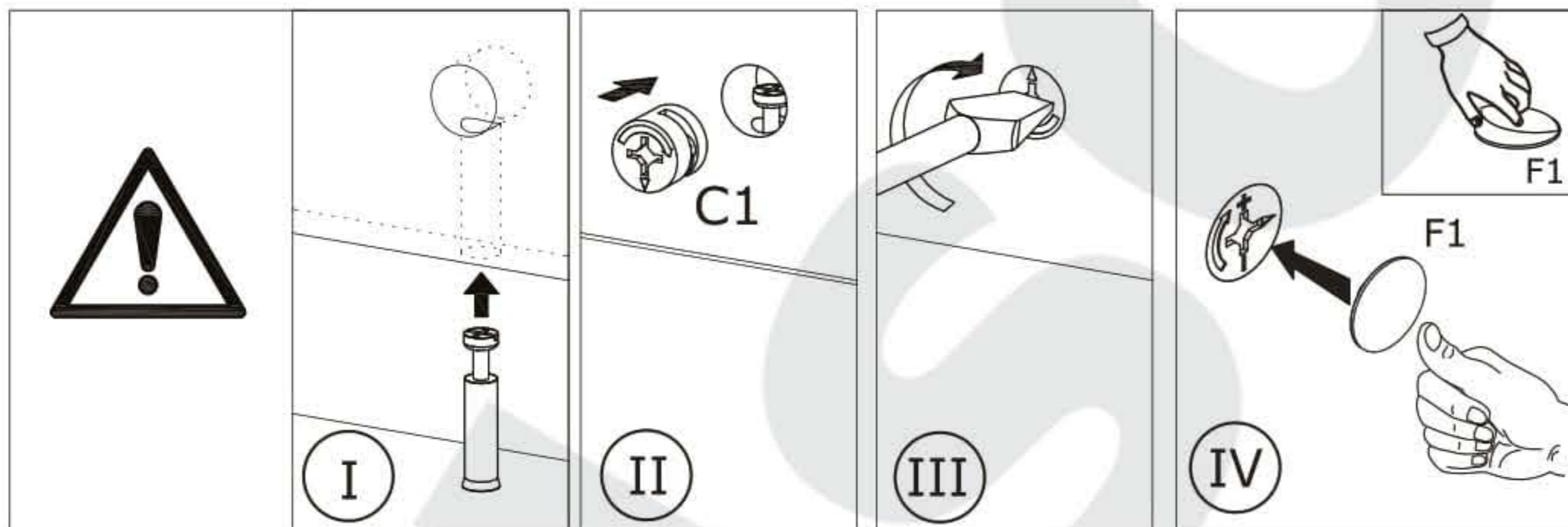
11

B x 12  Ø7x50 mm	E x 1  4 mm	
---	--	--

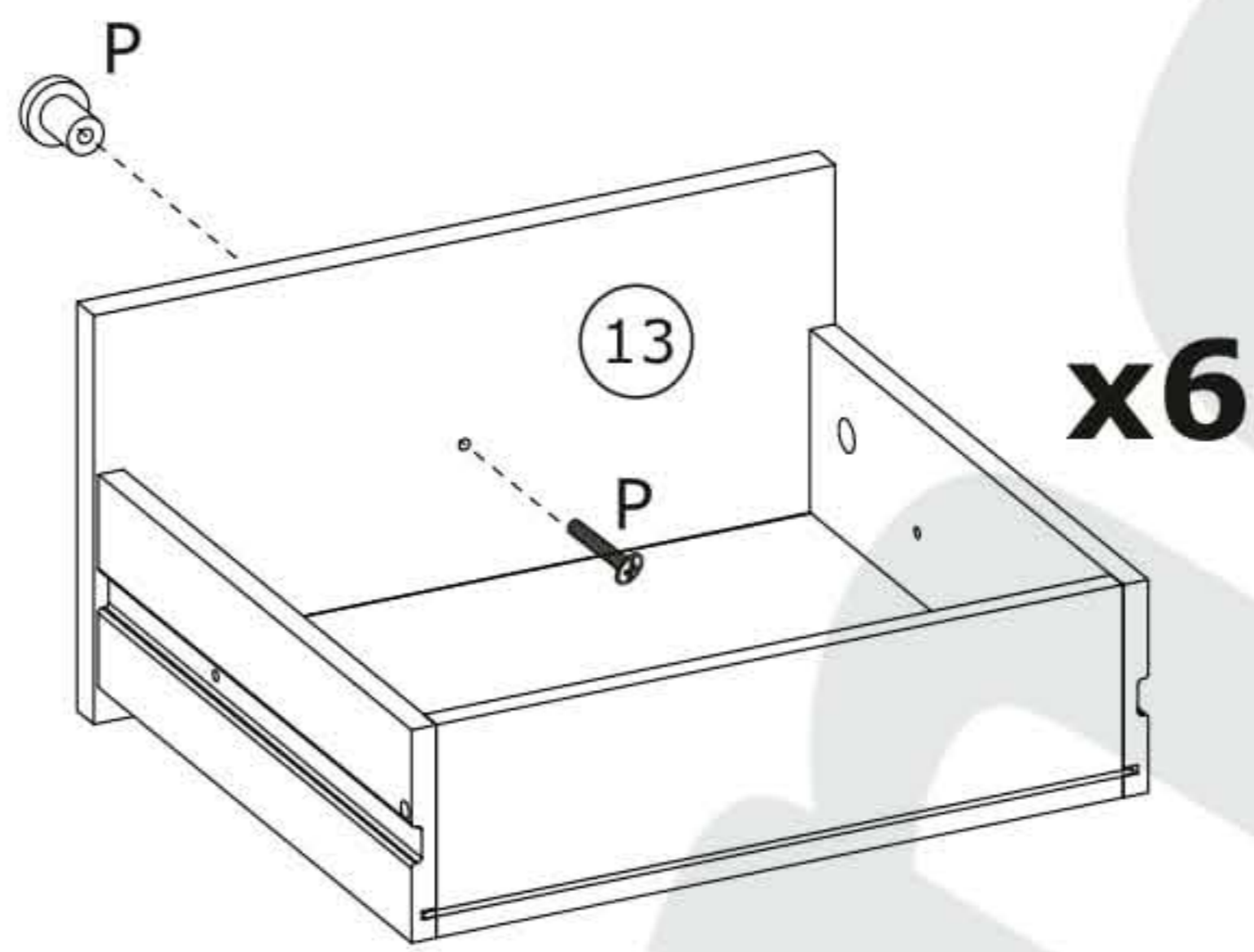
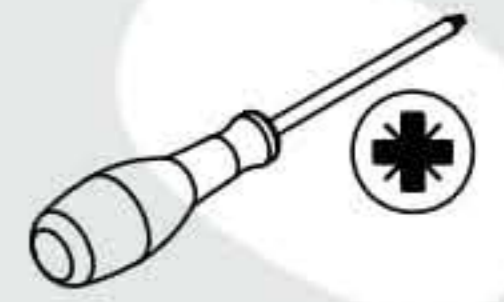
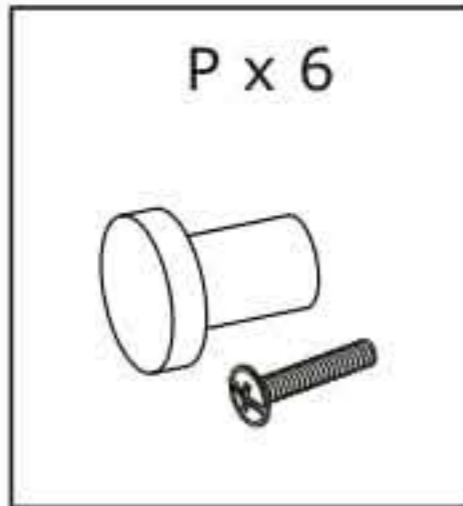


12

C1 x 12  Ø12x10 mm	F1 x 12  20 mm	
---	---	---



13



14

