


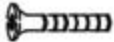



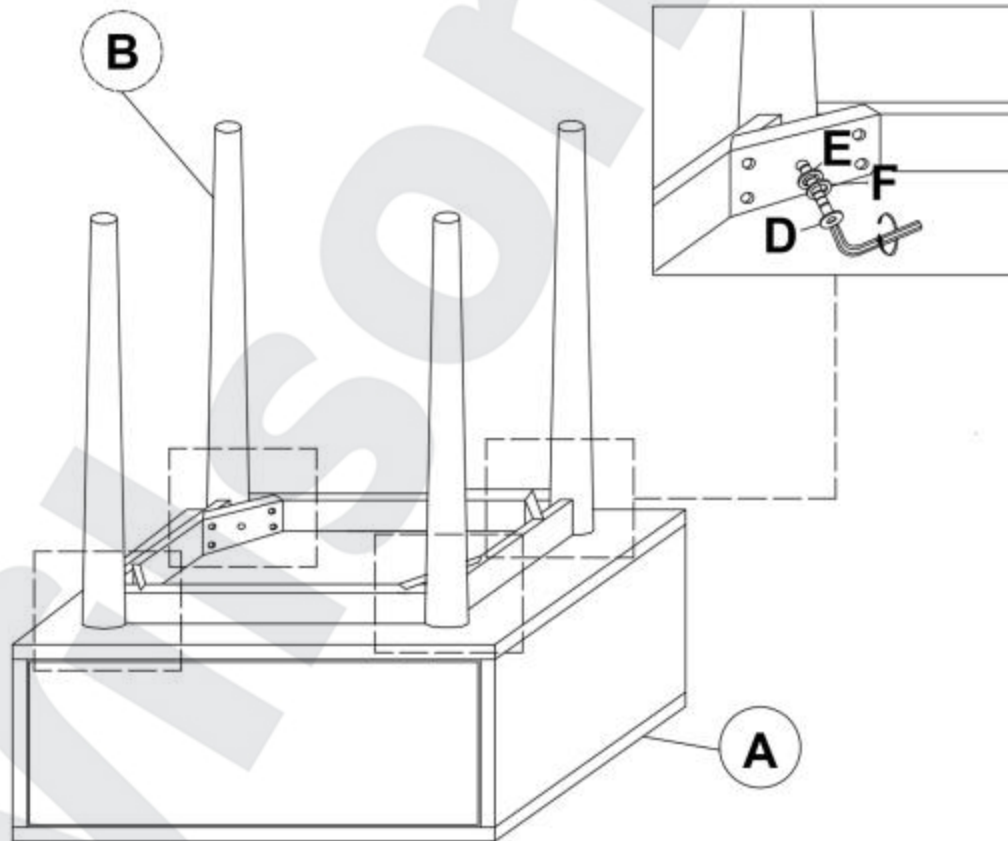


CASSINA

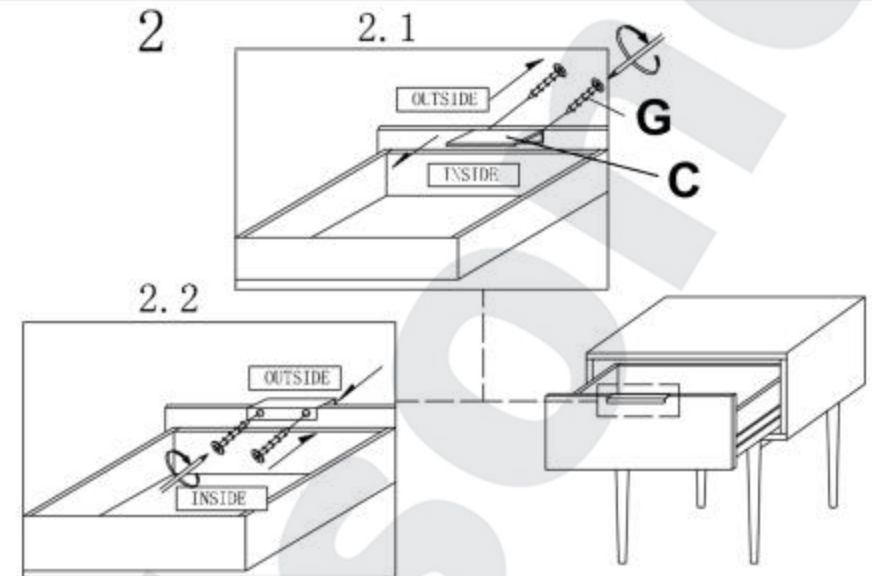
A		1
B		4
C		1

D	M6 X 60 MM		4
E	5/16"		4
F			4
G	M3.5 X 16mm		2

1



2



 max. 15 kg

