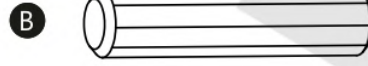
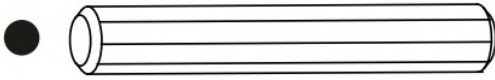


50mm Screw x8



8x35 Wooden Dowel x16



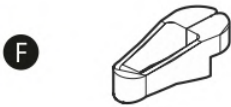
8x60 Wooden Dowel x2



16mm Screw x2



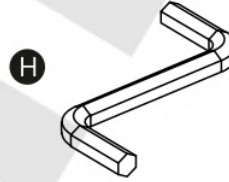
Panel pin x12



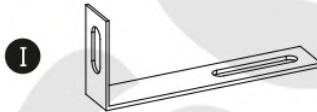
Panel pin locator x1



Cover cap x8

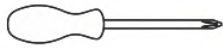


Key x1

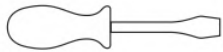


Wall Fixing Bracket x1

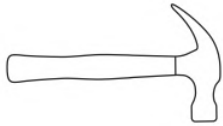
Tools required



Phillips screwdriver
(small & medium)



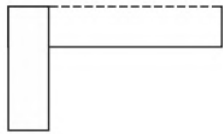
Flat screwdriver
(small & medium)



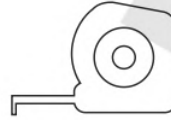
Hammer



Pencil



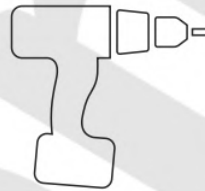
Set Square



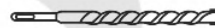
Ruler/tape
measure



Eye protection
(when using a
hammer or glue)



Power Drill



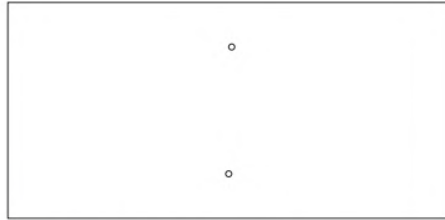
Drill Bits



Spirit Level

Panels

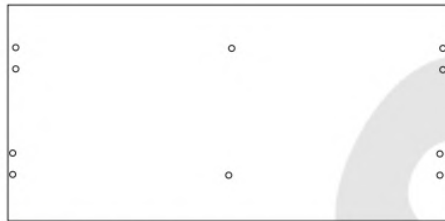
Storage unit



1 Top / Bottom Panel (580 x 293mm) (x2)



(Side View)



2 Side Panel (614 x 295mm) (x2)



3 Divider (282 x 291mm) (x2)



4 Shelf Panel (580 x 293mm)



(Side View)

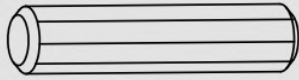


5 Back Panel (308 x 295mm) (x2)

Storage unit

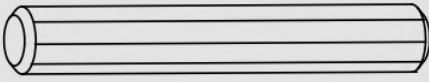
1

B

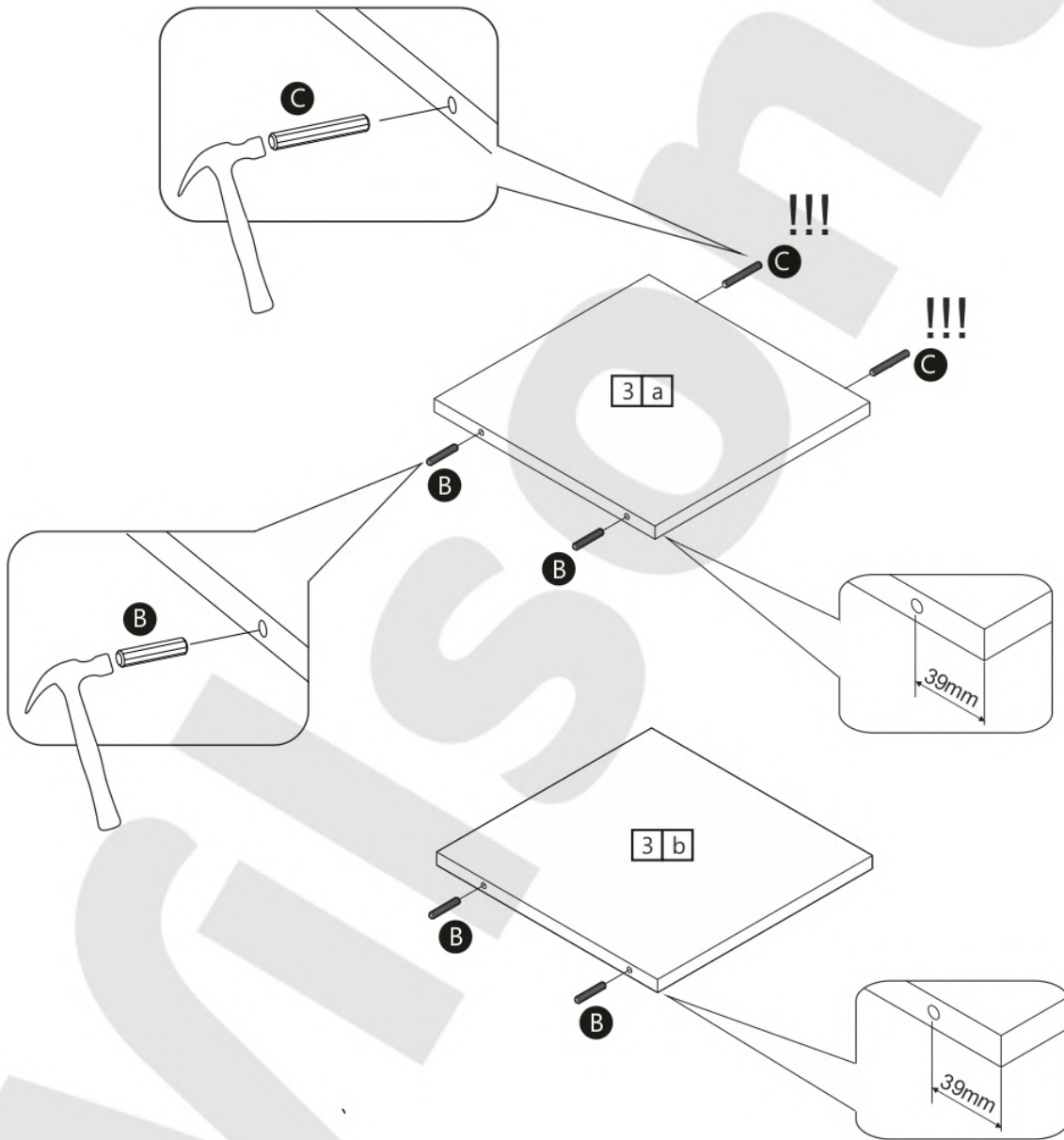


8x35 Wooden Dowel x4

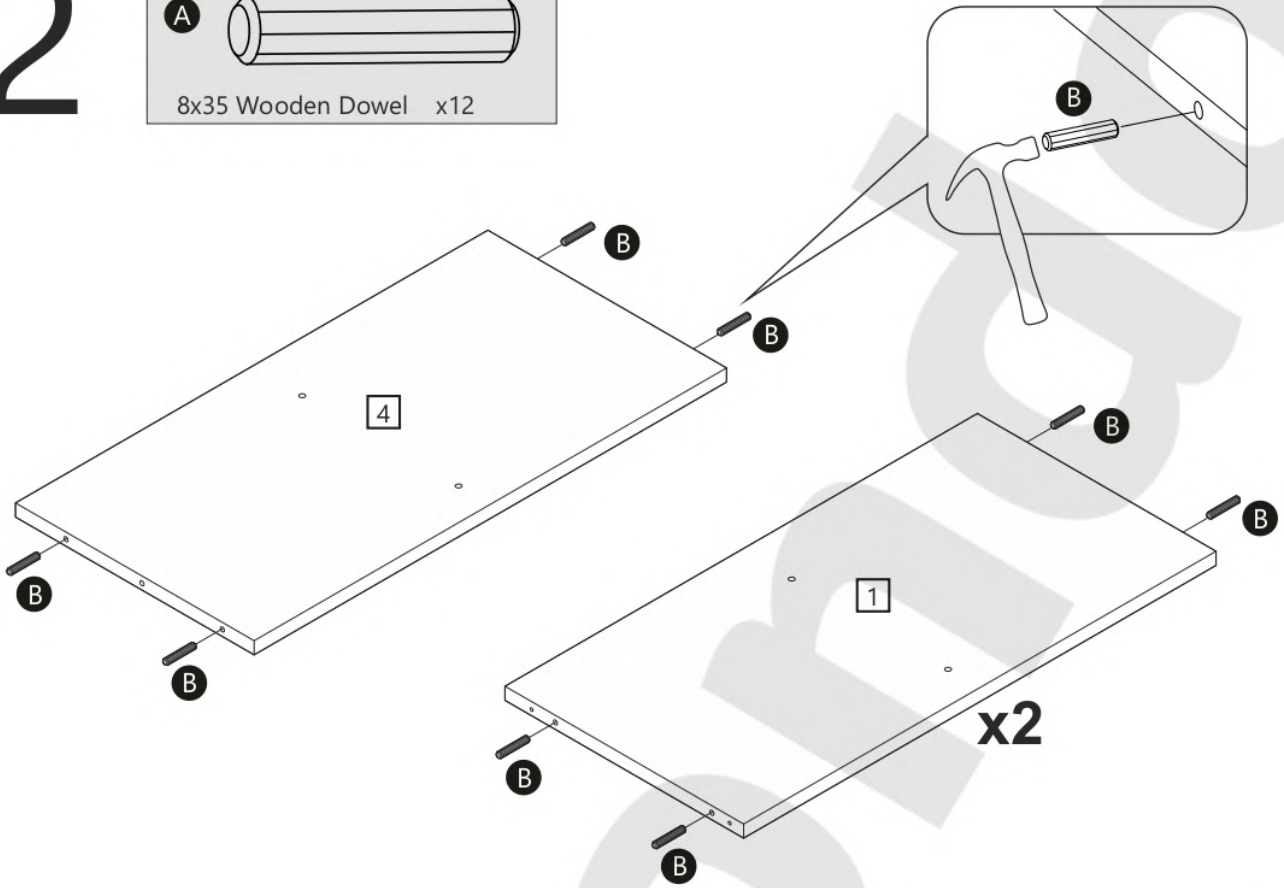
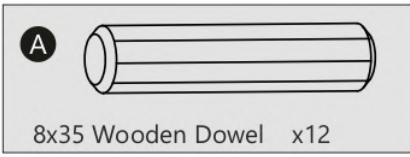
C



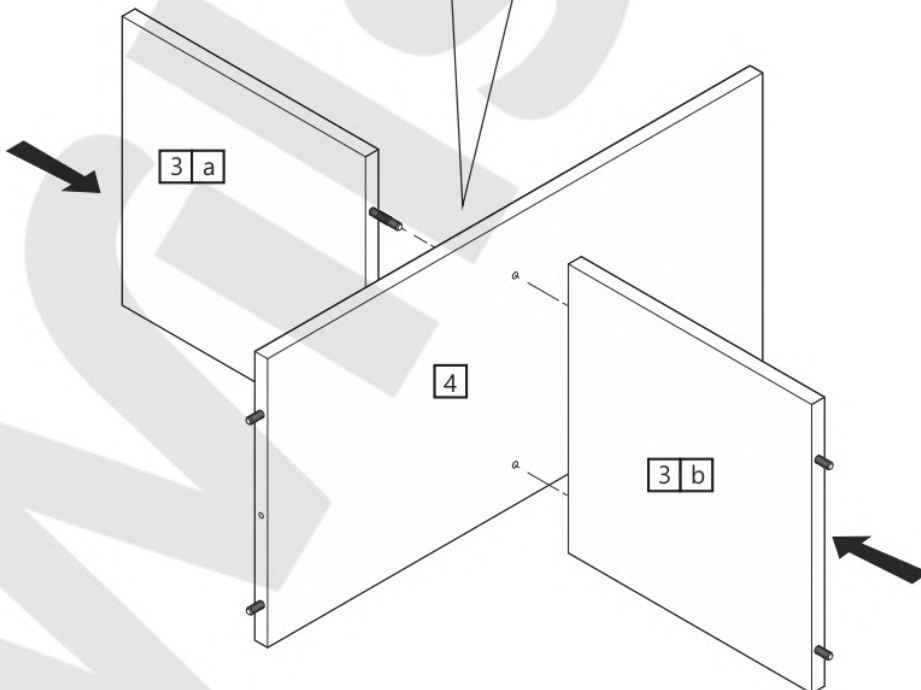
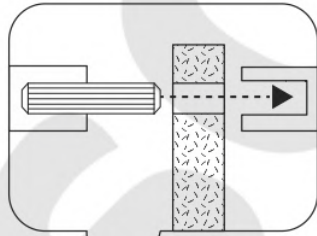
8x60 Wooden Dowel x2



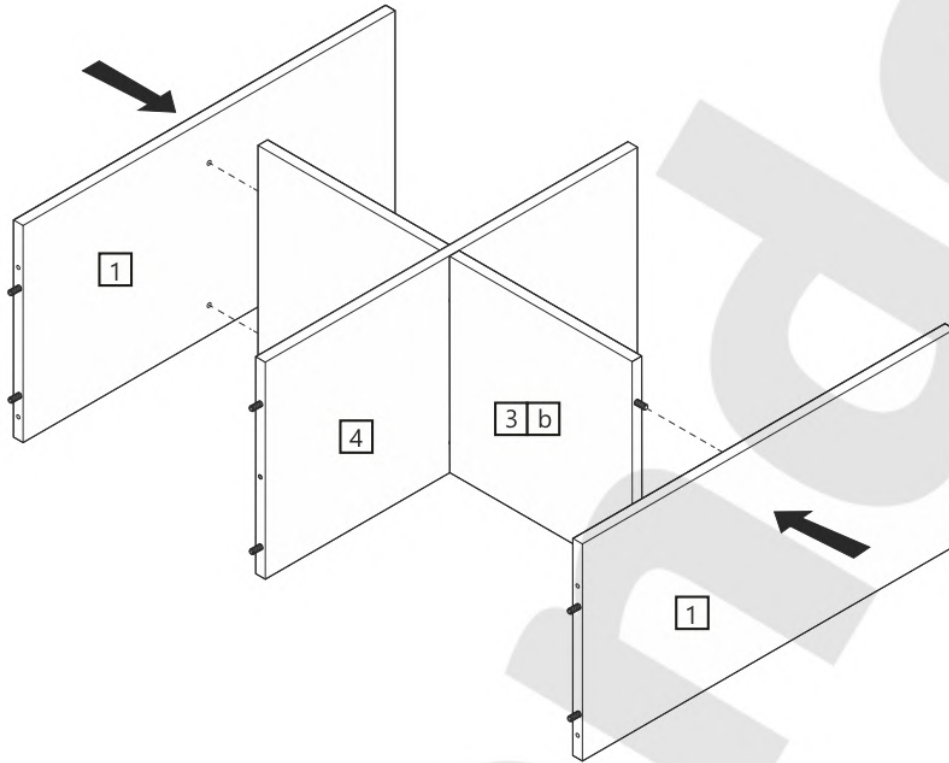
2



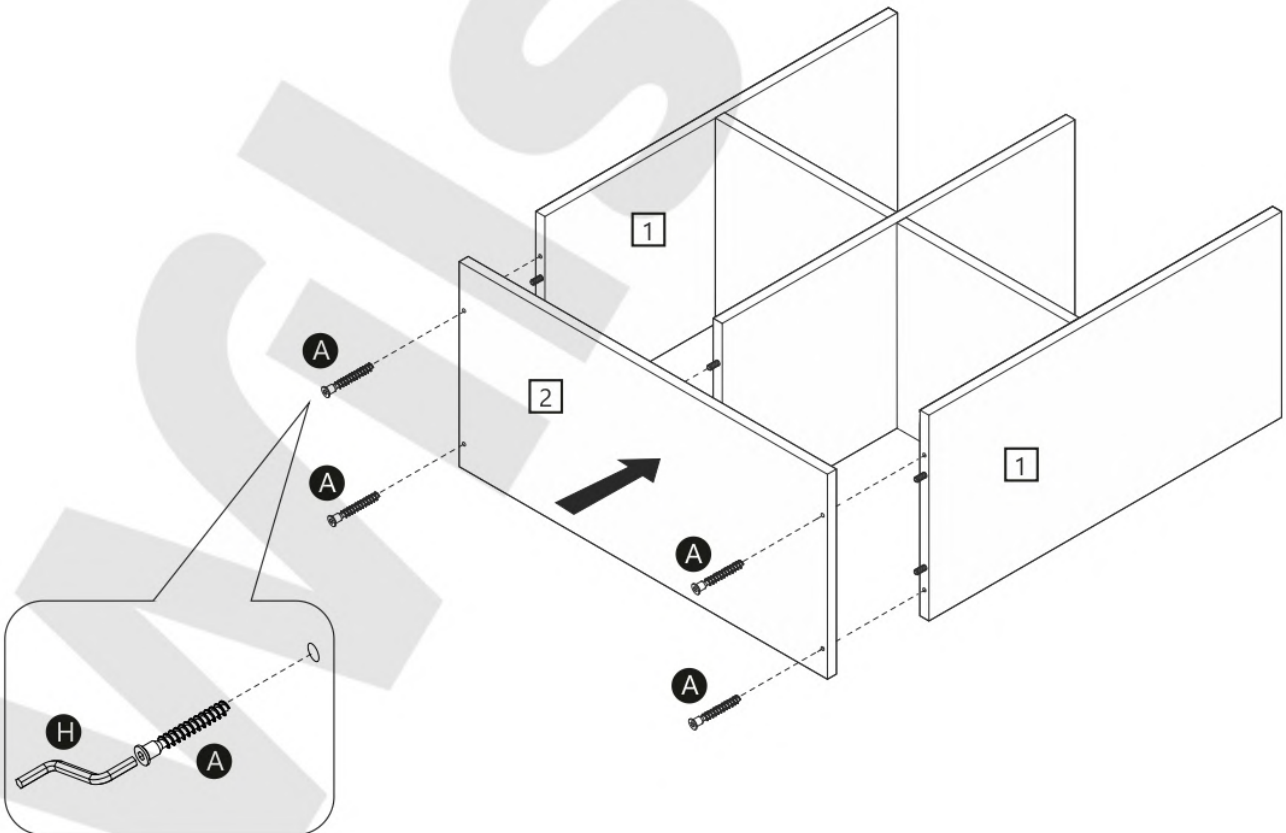
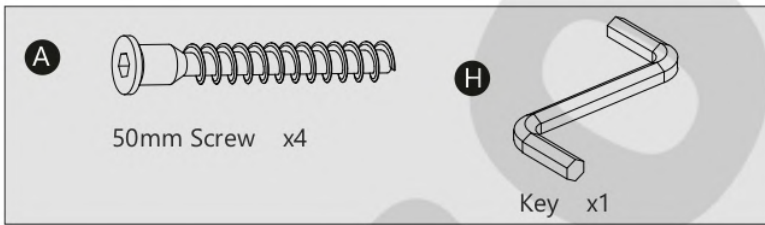
3



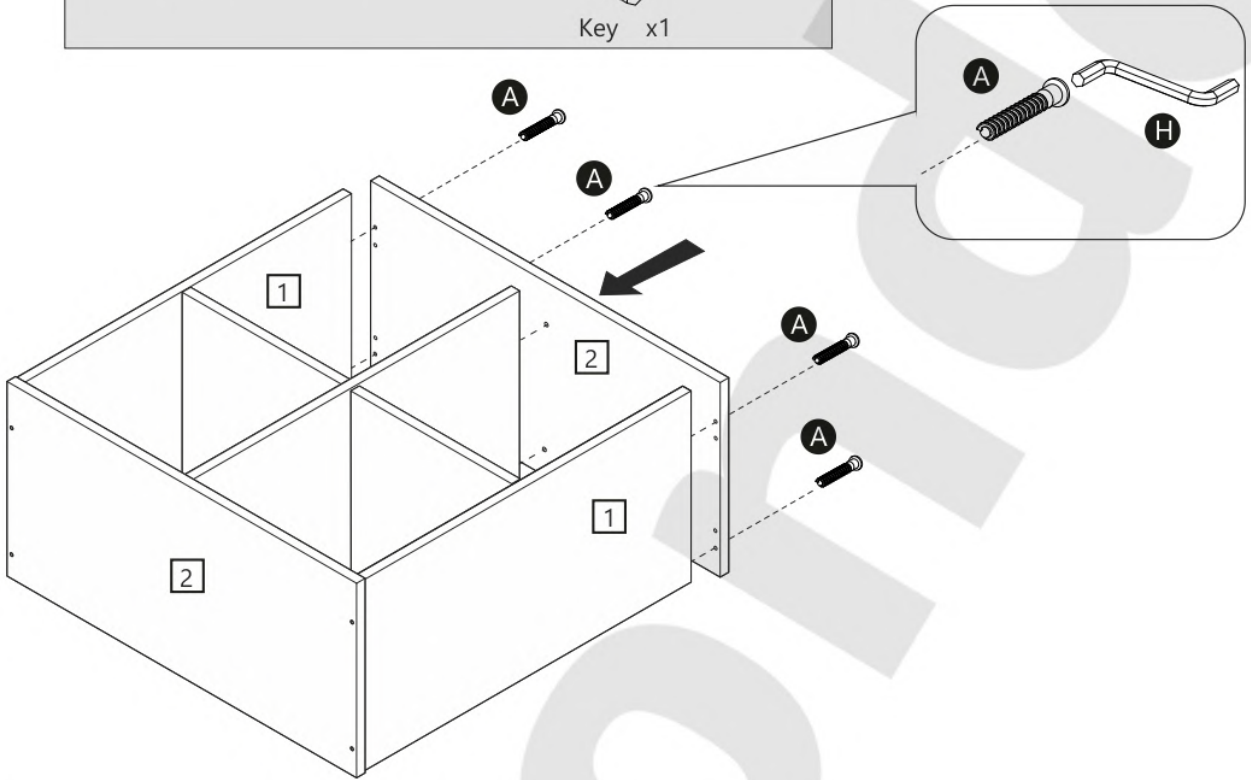
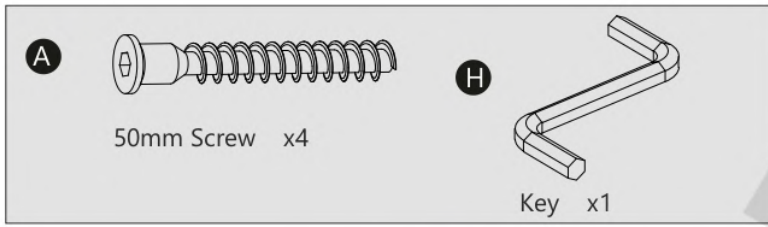
4



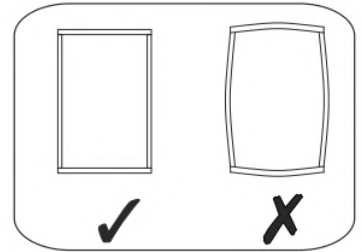
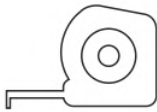
5



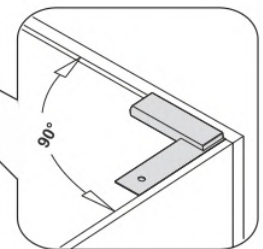
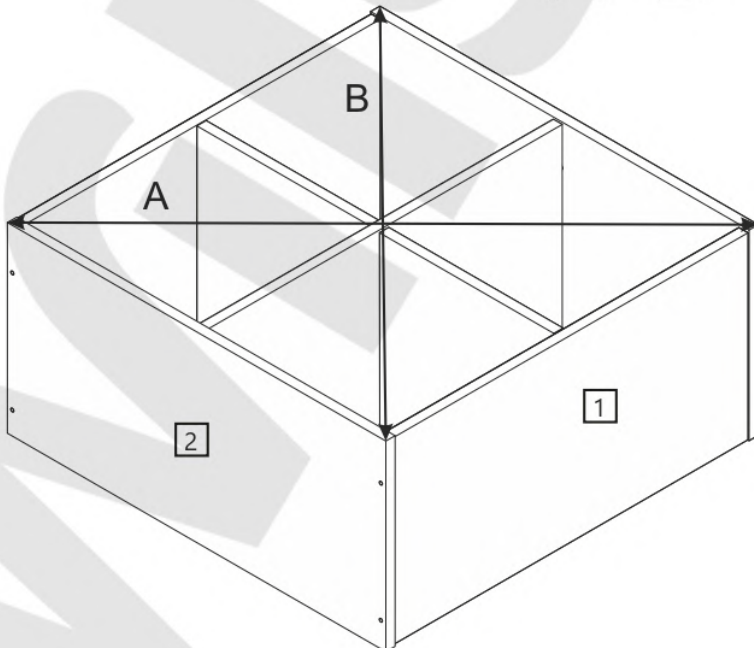
6



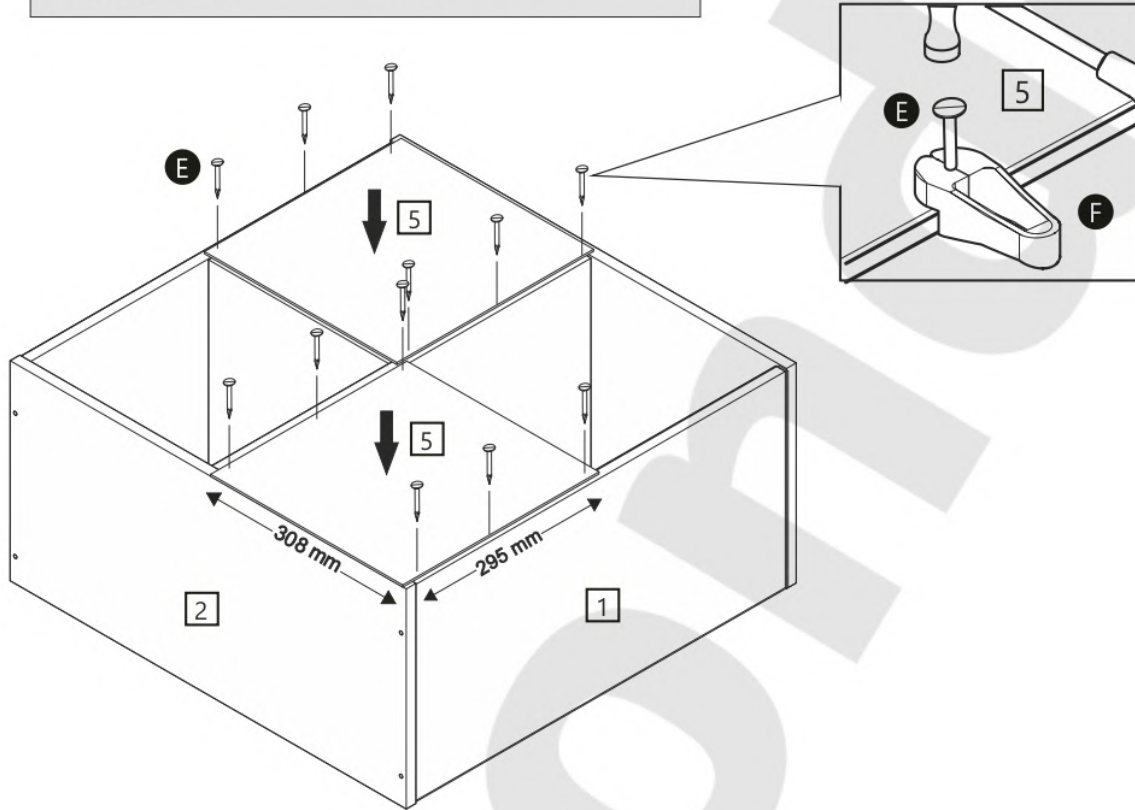
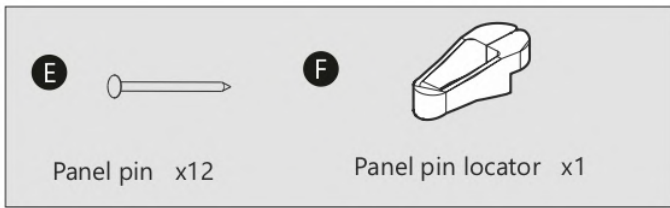
7



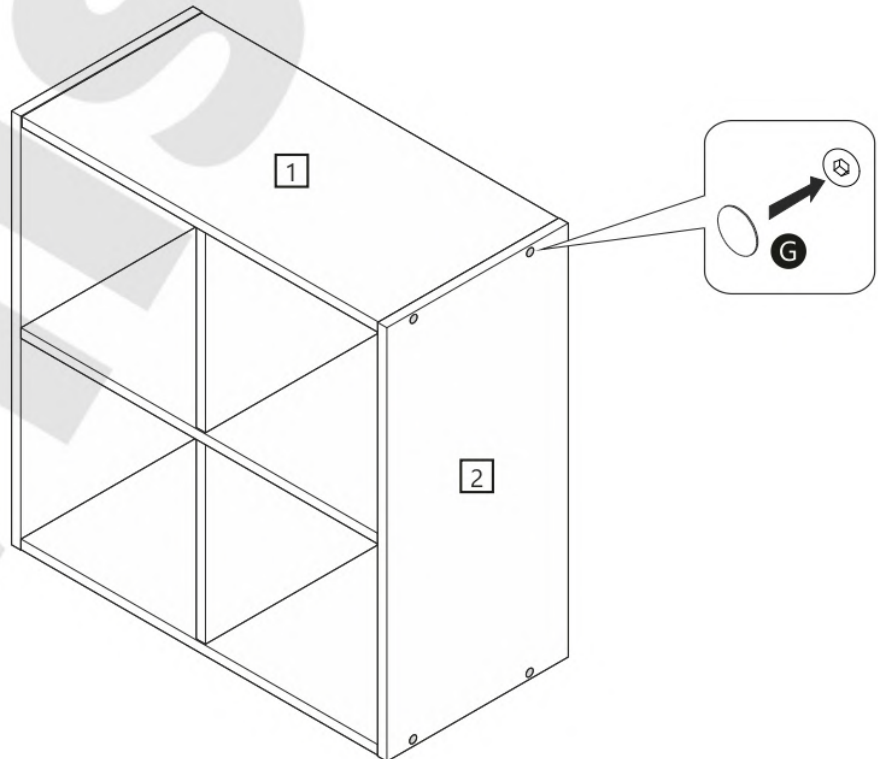
$A=B$



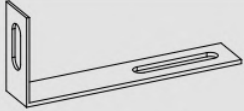
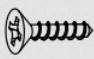
8



9



10

I 	D 
Wall Fixing Bracket x1	16mm Screw x2

