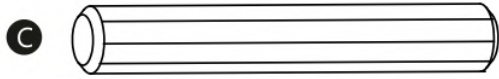


A 50mm Screw x8



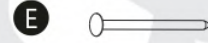
B 8x35 Wooden Dowel x24



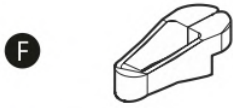
C 8x60 Wooden Dowel x8



D 16mm Screw x4



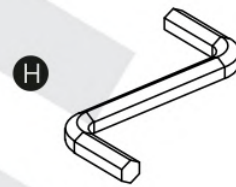
E Panel pin x24



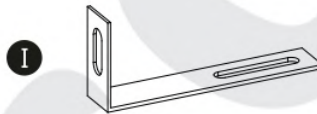
F Panel pin locator x1



G Cover cap x8



H Key x1

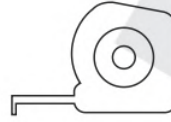


I

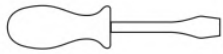
Tools required



Phillips screwdriver
(small & medium)



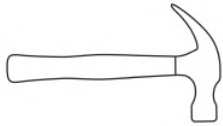
Ruler/tape
measure



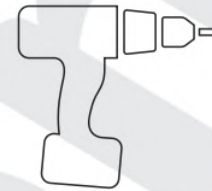
Flat screwdriver
(small & medium)



Eye protection
(when using a
hammer or glue)



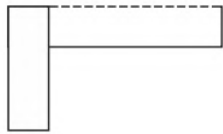
Hammer



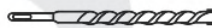
Power Drill



Pencil



Set Square

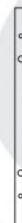
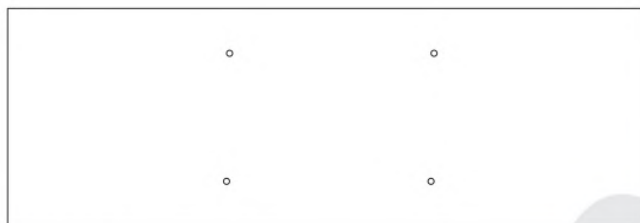


Drill Bits



Spirit Level

Panels



(Side View)

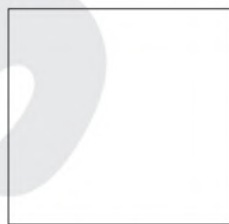
1 Top / Bottom Panel (878 x 293mm) x2



2 Side Panel (912 x 295mm) x2



3 Divider (282 x 291mm) x6



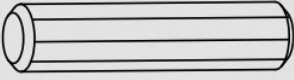
5 Back Panel (308 x 295mm) x4




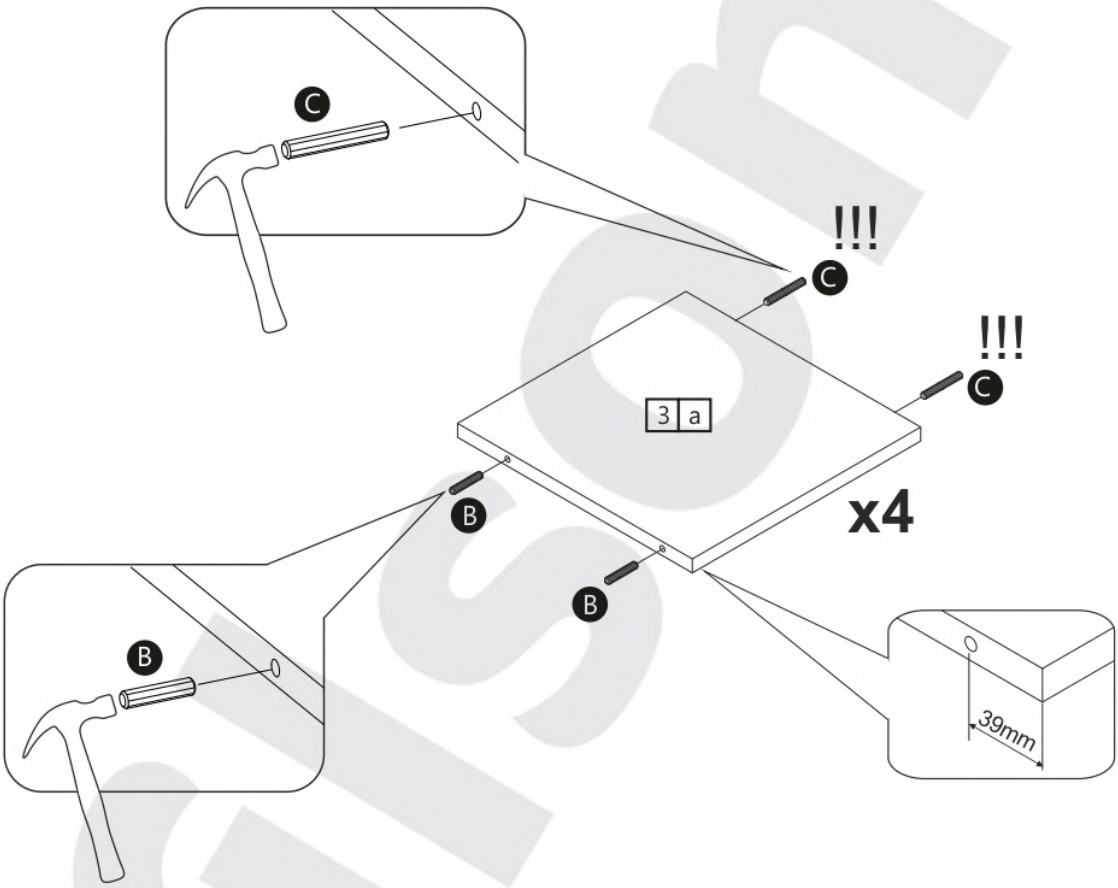
(Side View)

4 Shelf Panel (878 x 293mm) x2

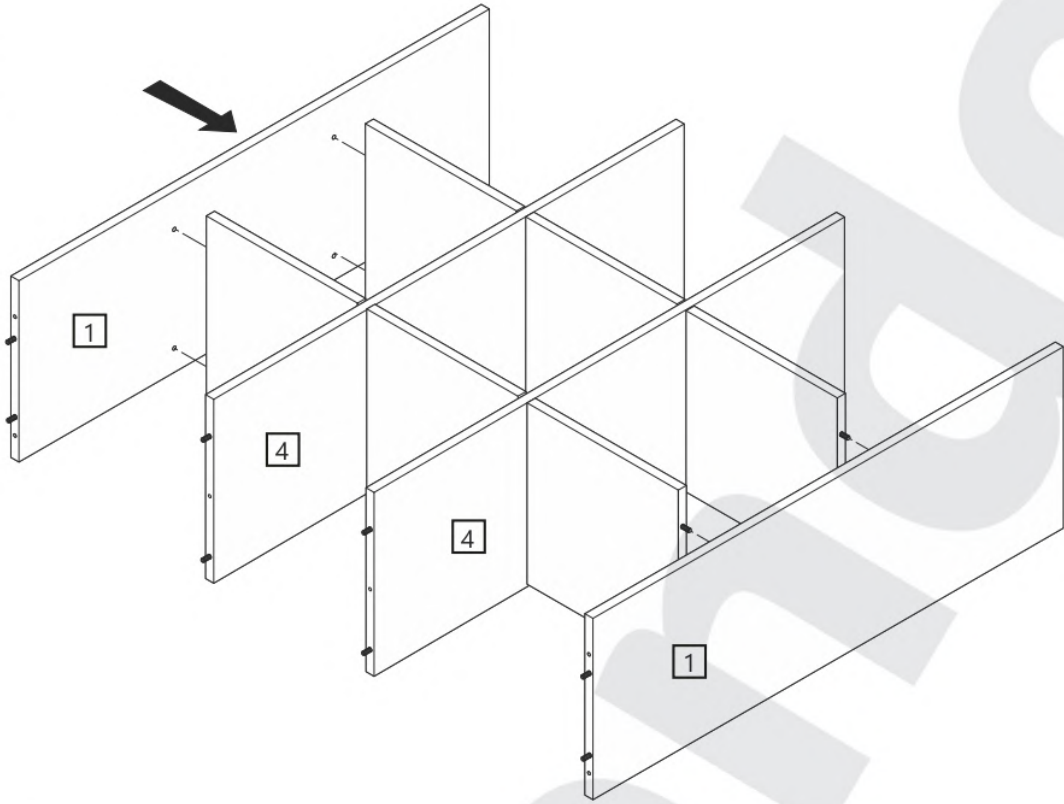
1

B 
8x35 Wooden Dowel x8

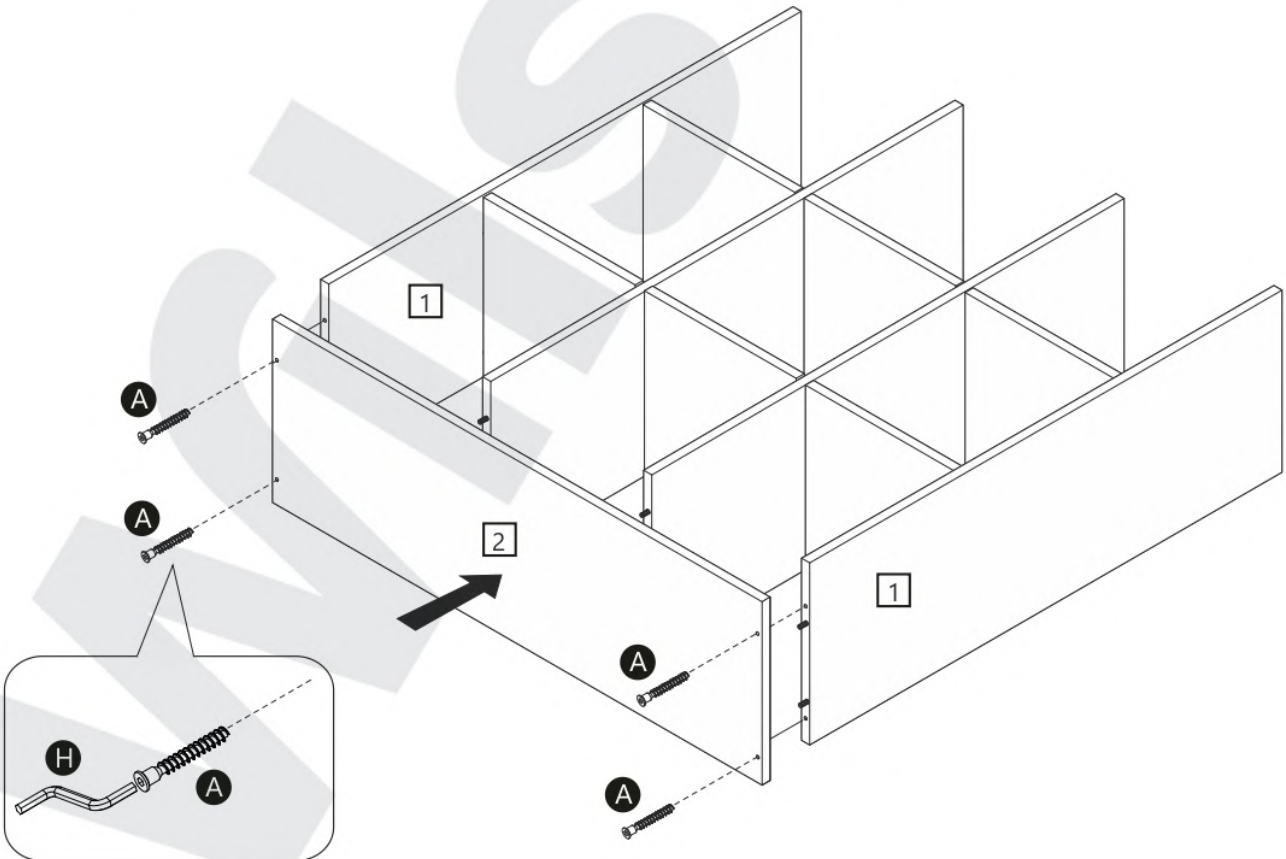
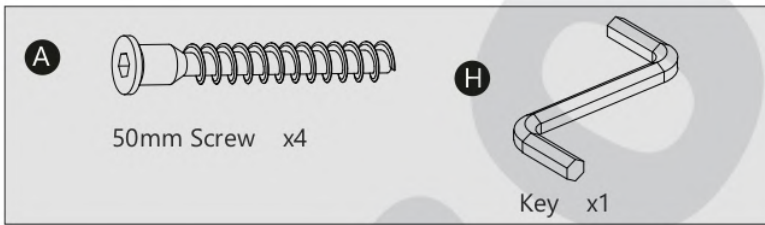
C 
8x60 Wooden Dowel x8



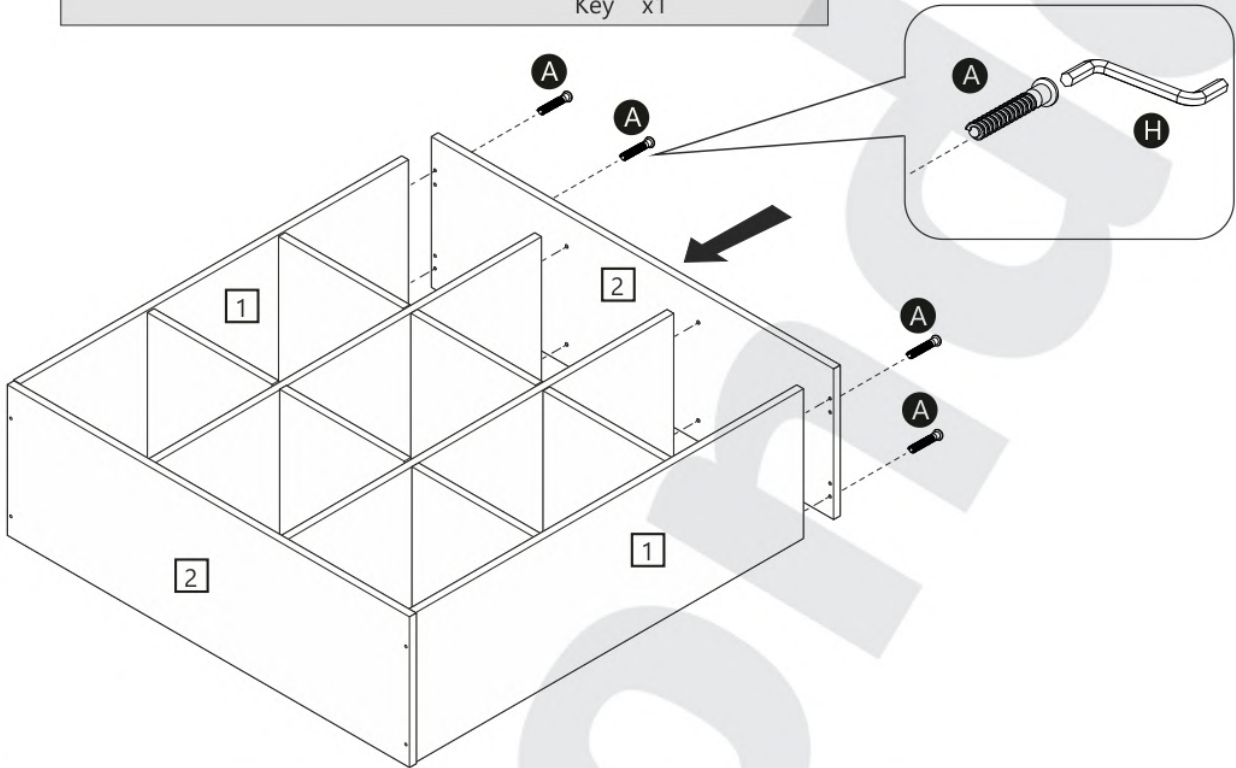
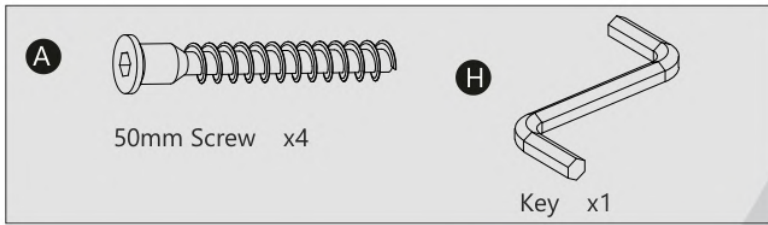
4



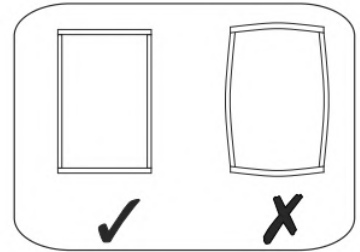
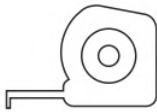
5



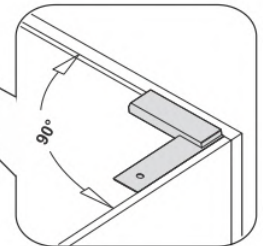
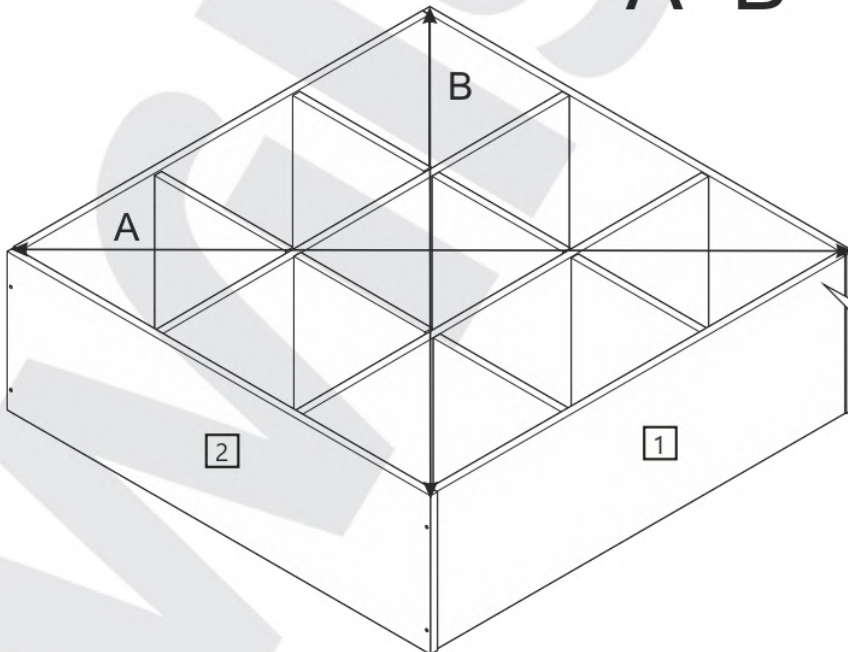
6



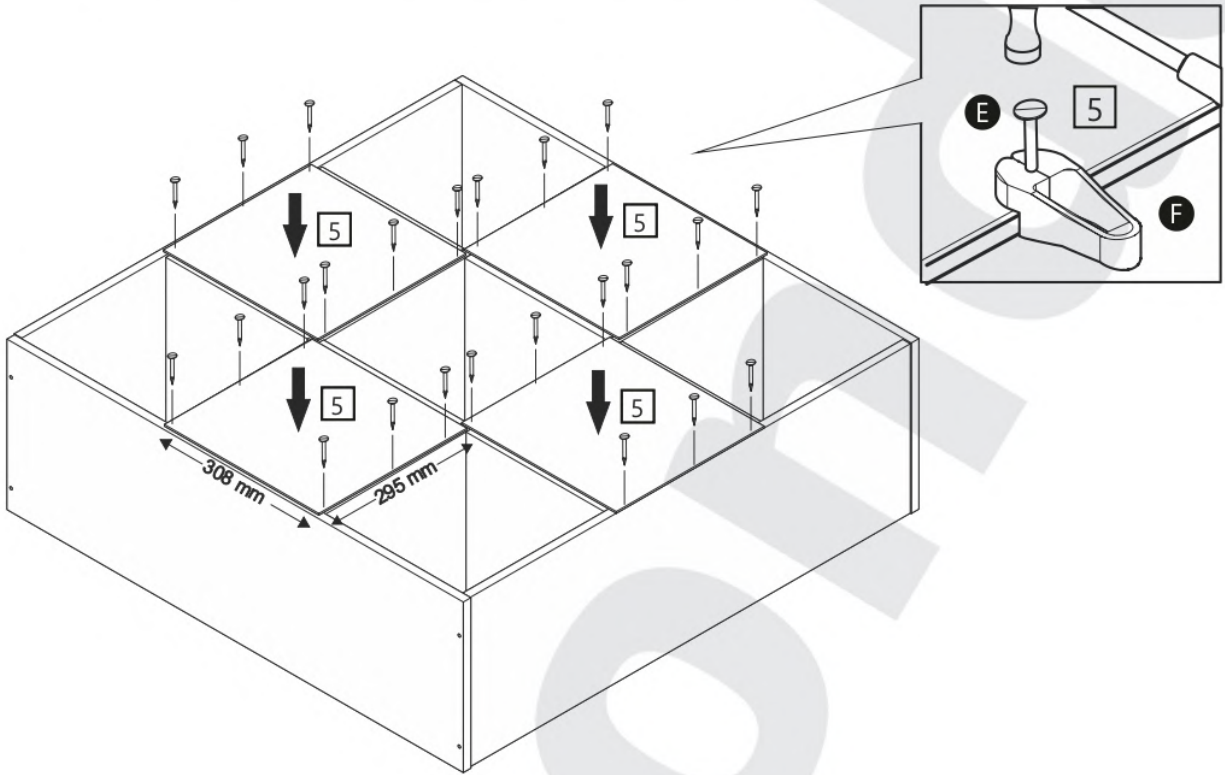
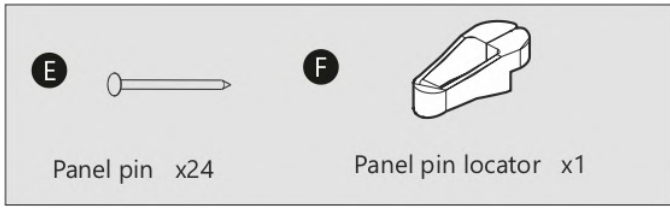
7



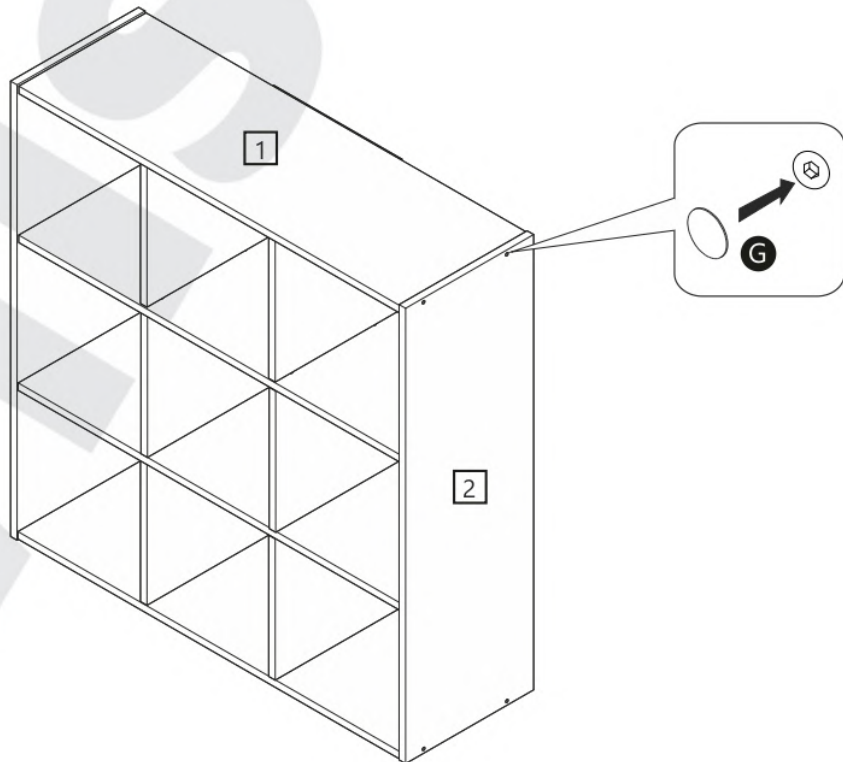
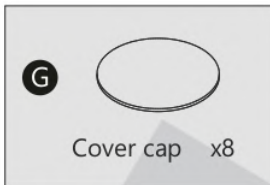
$A=B$



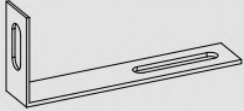

8



9



10

I  **D** 
Wall Fixing Bracket x2 16mm Screw x4

