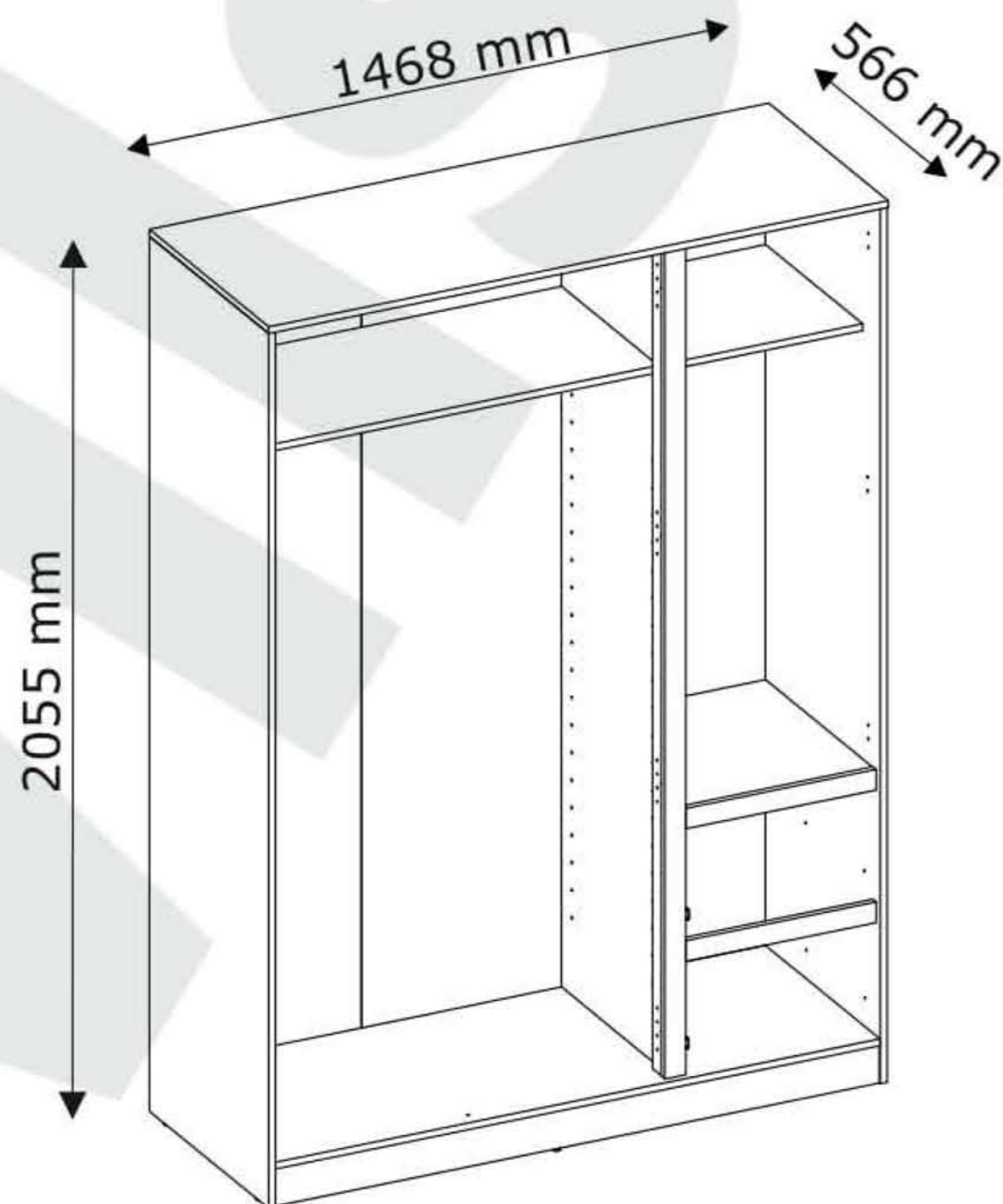
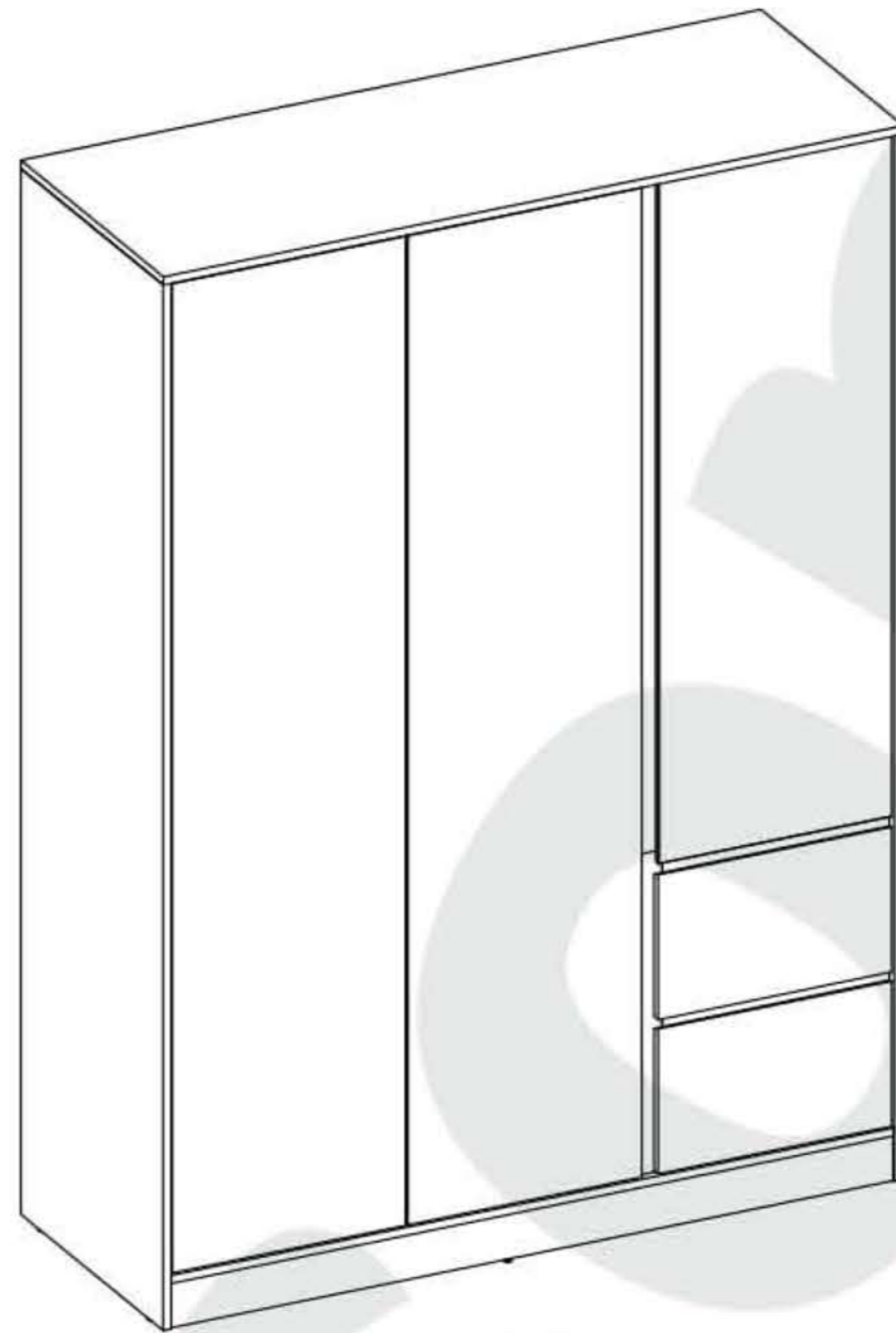
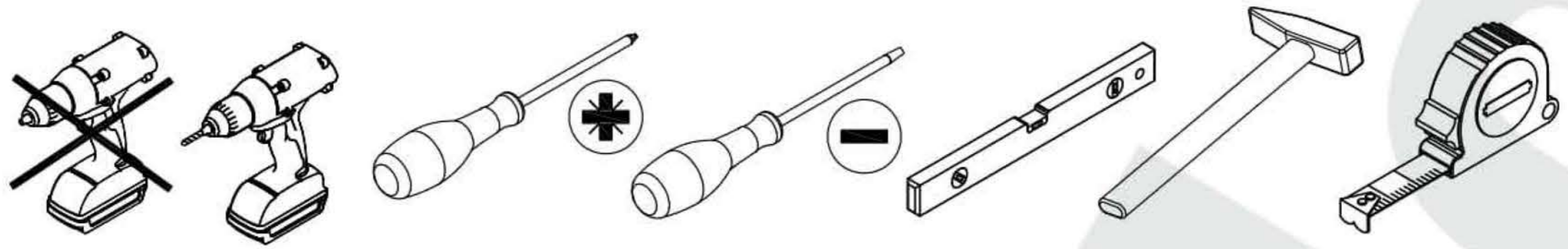
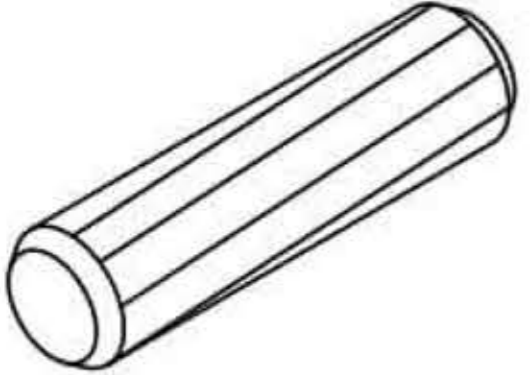
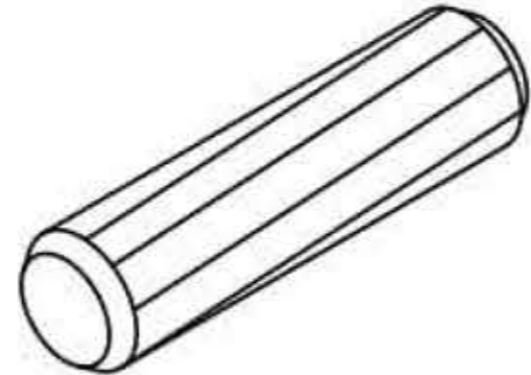
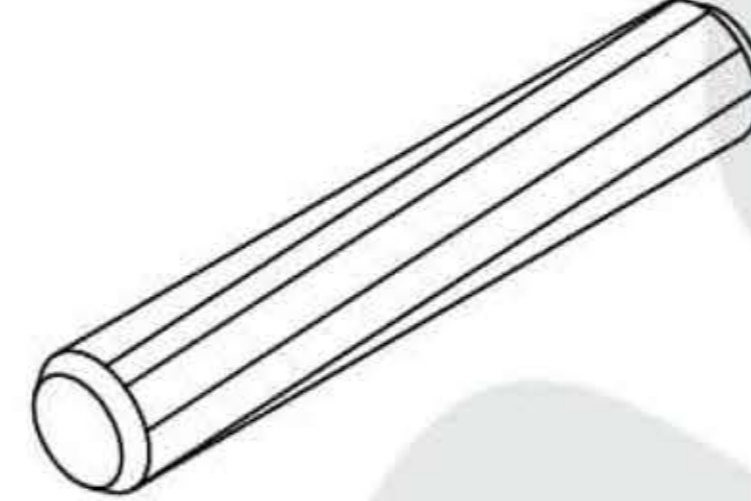
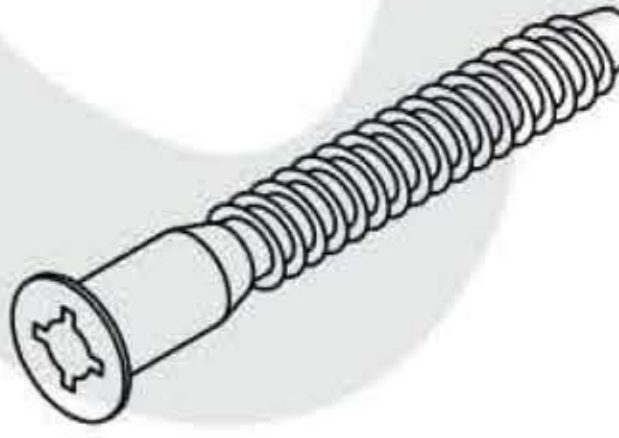


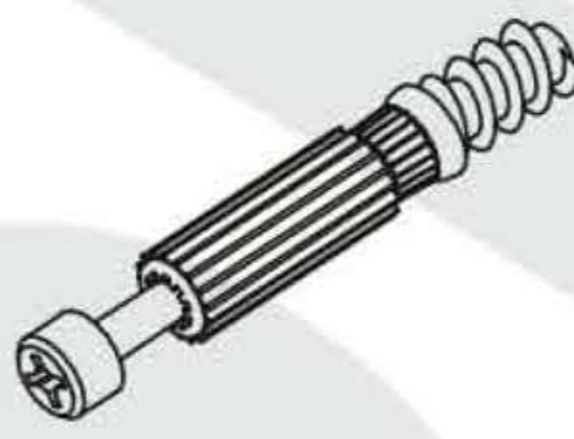
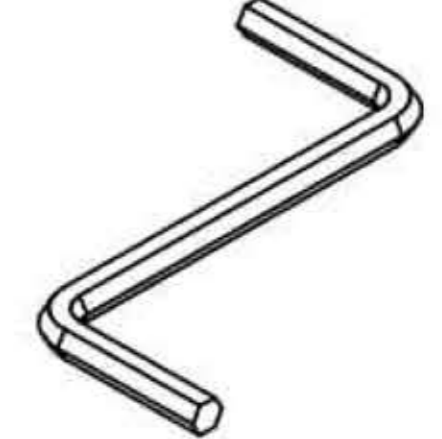


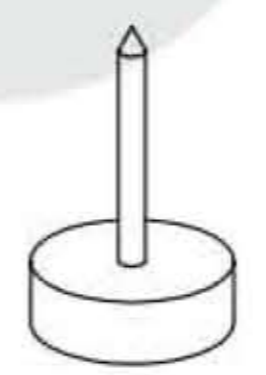
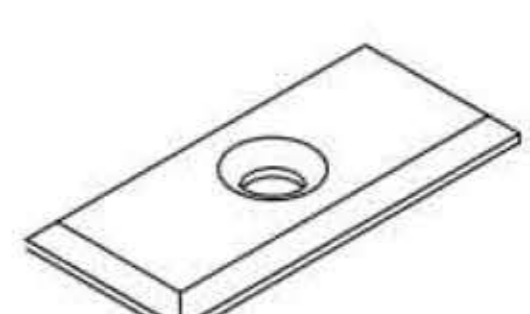
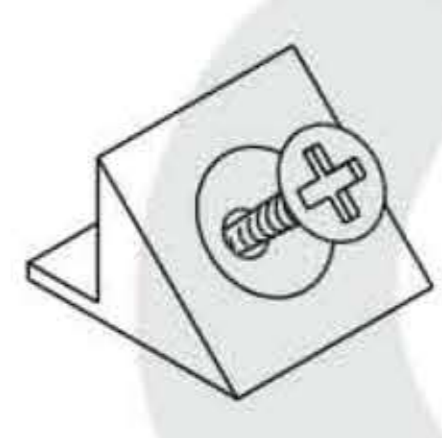
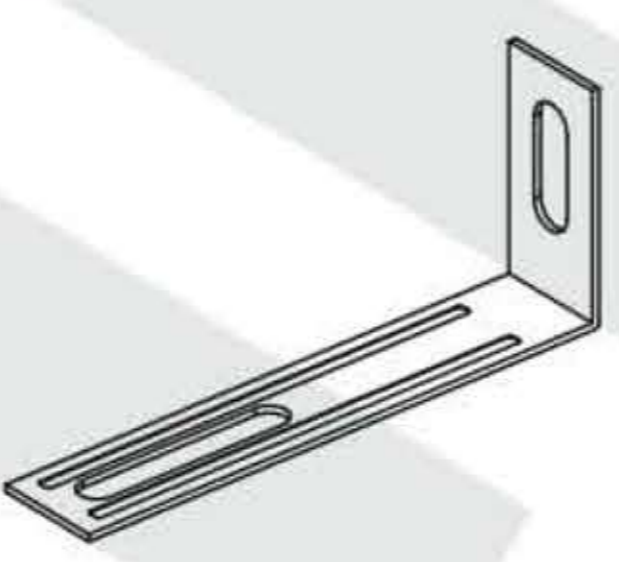
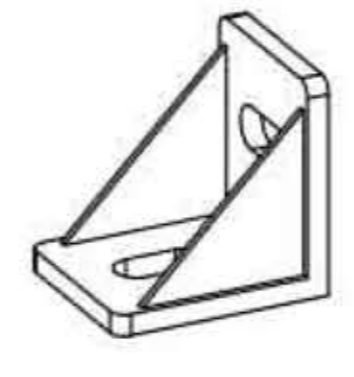
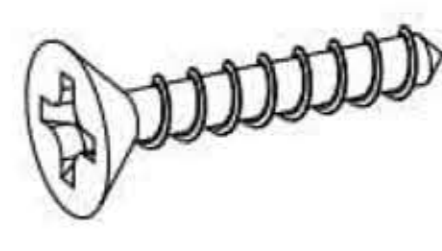
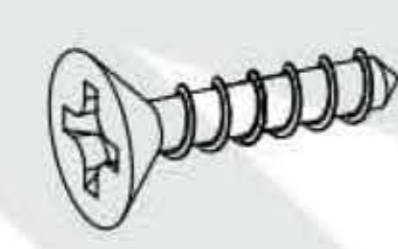





Basit

closet 3D2S





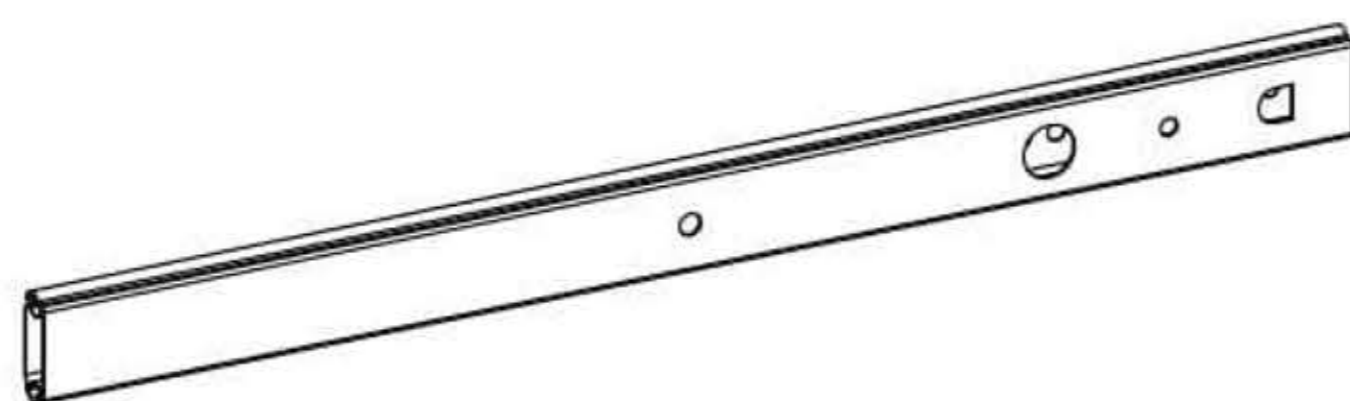
<p>A x 50</p>  <p>Ø8x35 mm</p>	<p>A1 x 8</p>  <p>Ø6x30 mm</p>	<p>A2 x 2</p>  <p>Ø8x60 mm</p>	<p>B x 6</p>  <p>Ø7x50 mm</p>
<p>C x 22</p>  <p>Ø15x12 mm</p>	<p>C1 x 4</p>  <p>Ø15x10 mm</p>	<p>D x 26</p>  <p>Ø5x44 mm</p>	<p>E x 1</p>  <p>4 mm</p>
<p>F x 28</p>  <p>20 mm</p>	<p>F1 x 4</p>  <p>20 mm</p>	<p>G1 x 6</p> 	<p>H x 17</p>  <p>22x9x2 mm</p>
<p>H1 x 14</p> 	<p>I x 2</p> 	<p>I1 x 3</p> 	<p>J x 24</p>  <p>3,5x16 mm</p>
<p>J1 x 4</p>  <p>3,5x13 mm</p>	<p>J6 x 24</p>  <p>4x30 mm</p>	<p>L x 6</p>  <p>4x16 mm</p>	<p>L1 x 33</p>  <p>3x20 mm</p>

M x 8



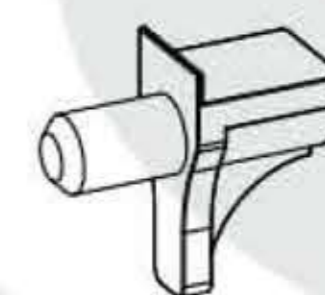
Ø6,3x13 mm

N1 x 4



342 mm

O1 x 2



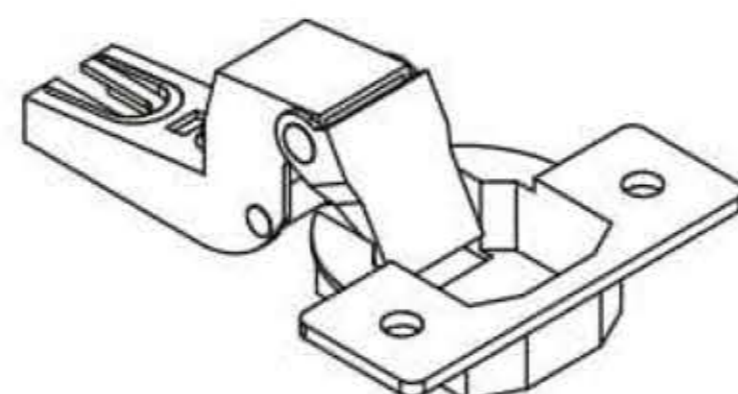
Ø5mm

Q x 4

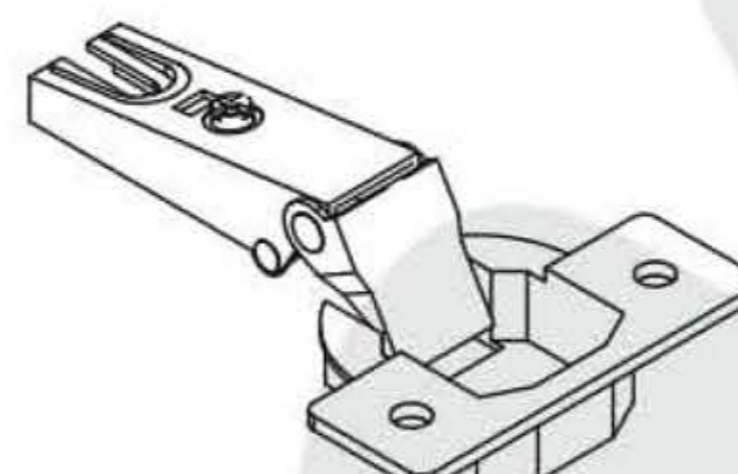


4x9 mm

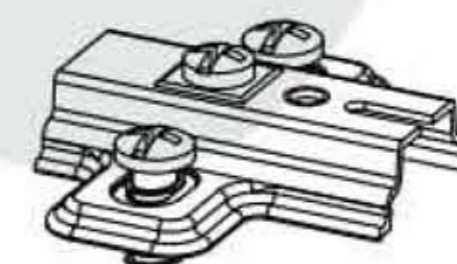
R x 7



R1 x 4



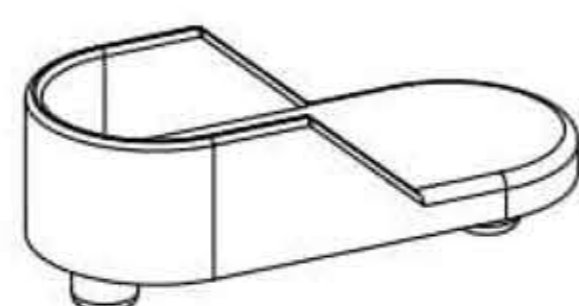
S x 11



AA x 11



AD x 4



AE x 1



942 mm

AE1 x 1

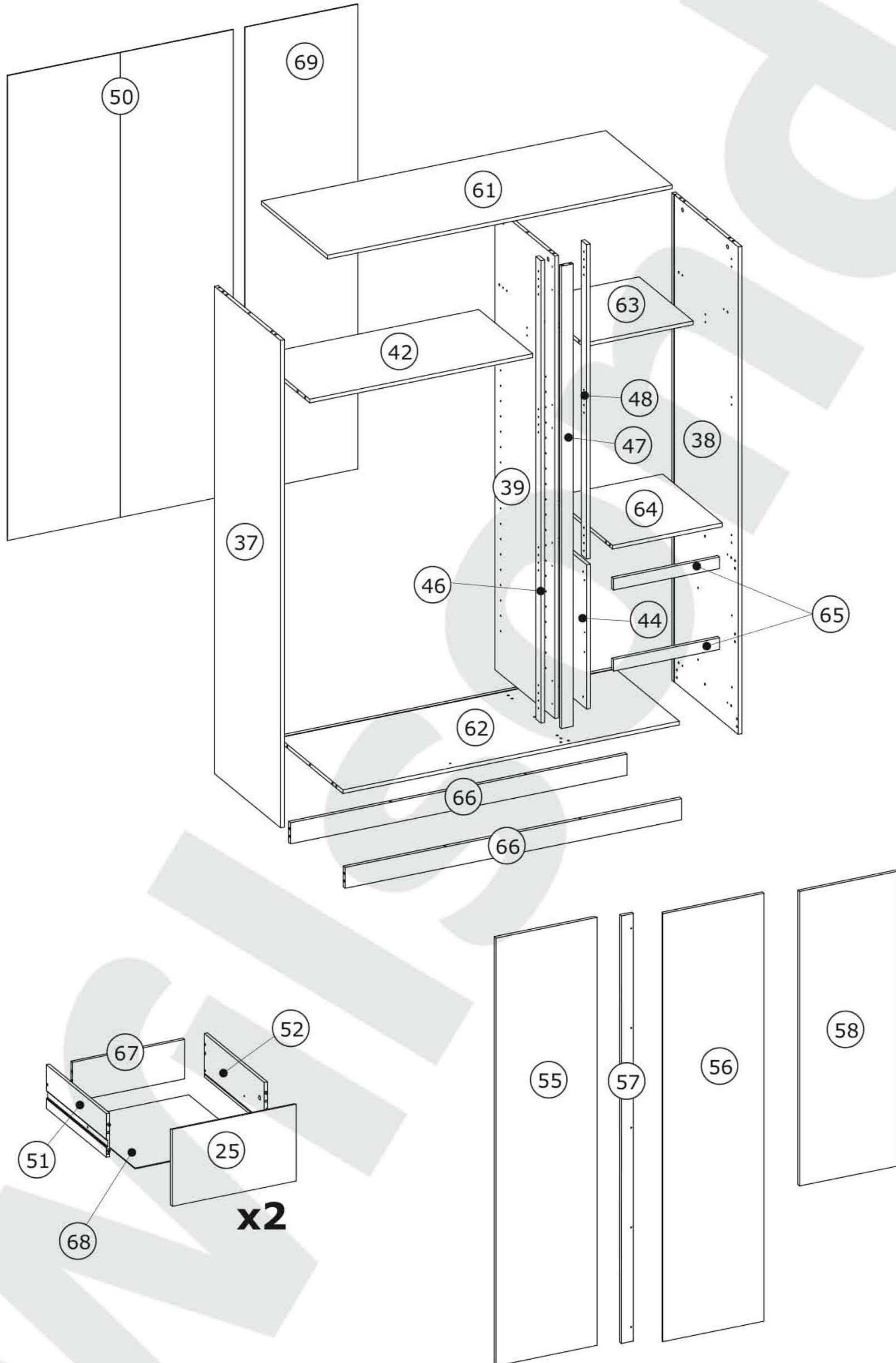


460 mm

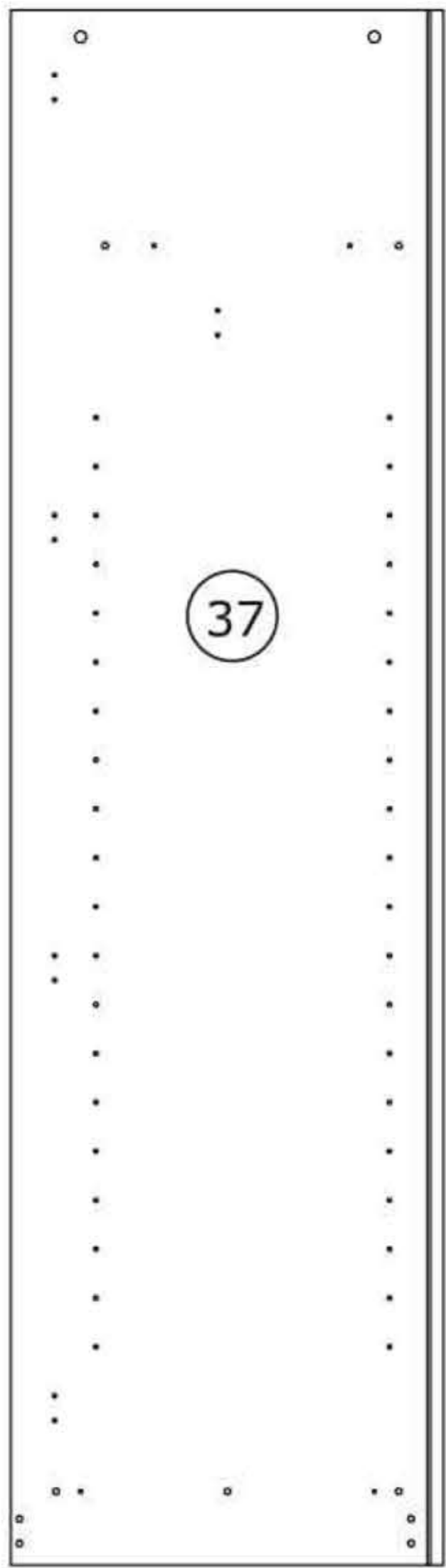


120 min

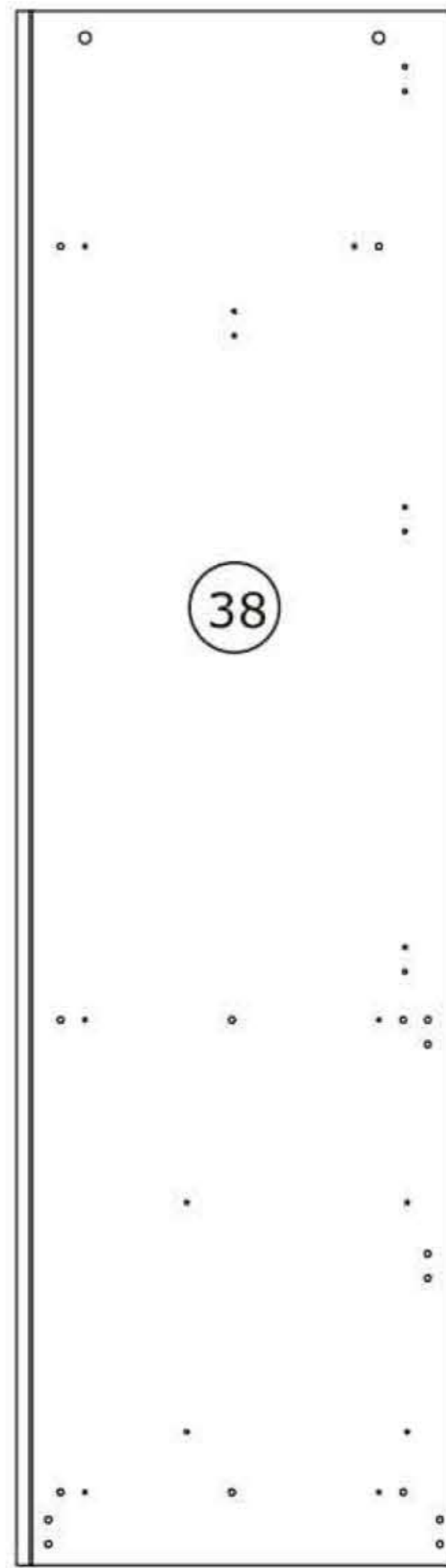




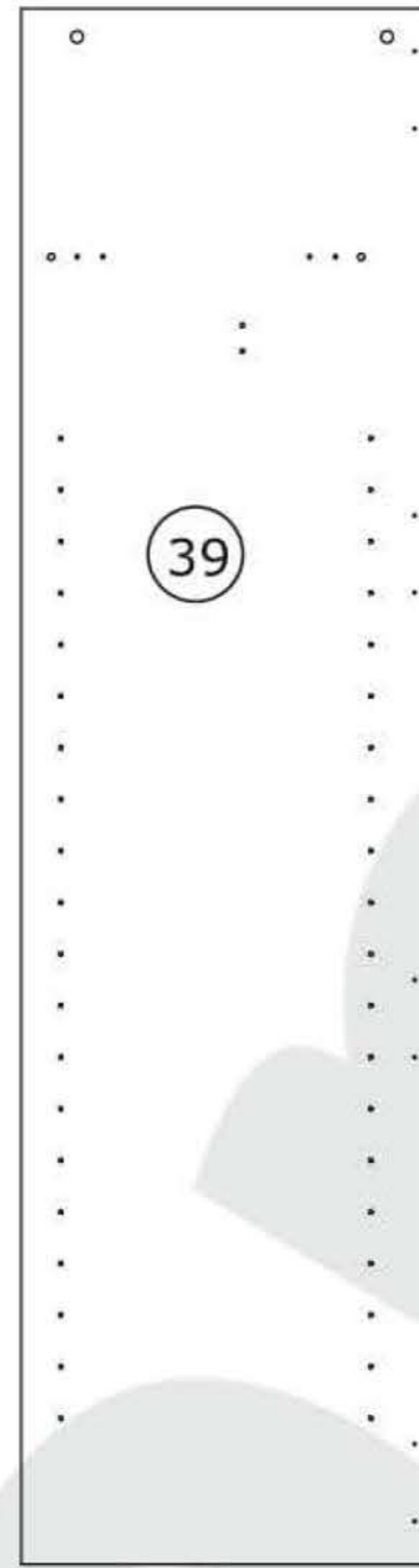
BOX 1/1:



2034x565x16 mm



2034x565x16 mm



1930x509x16 mm



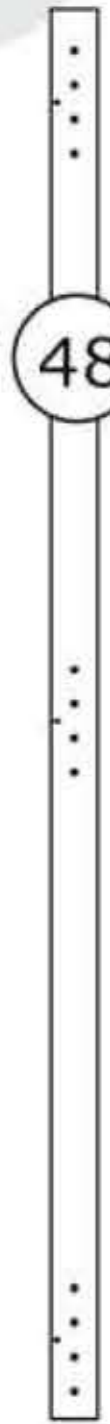
46

1930x44x16 mm



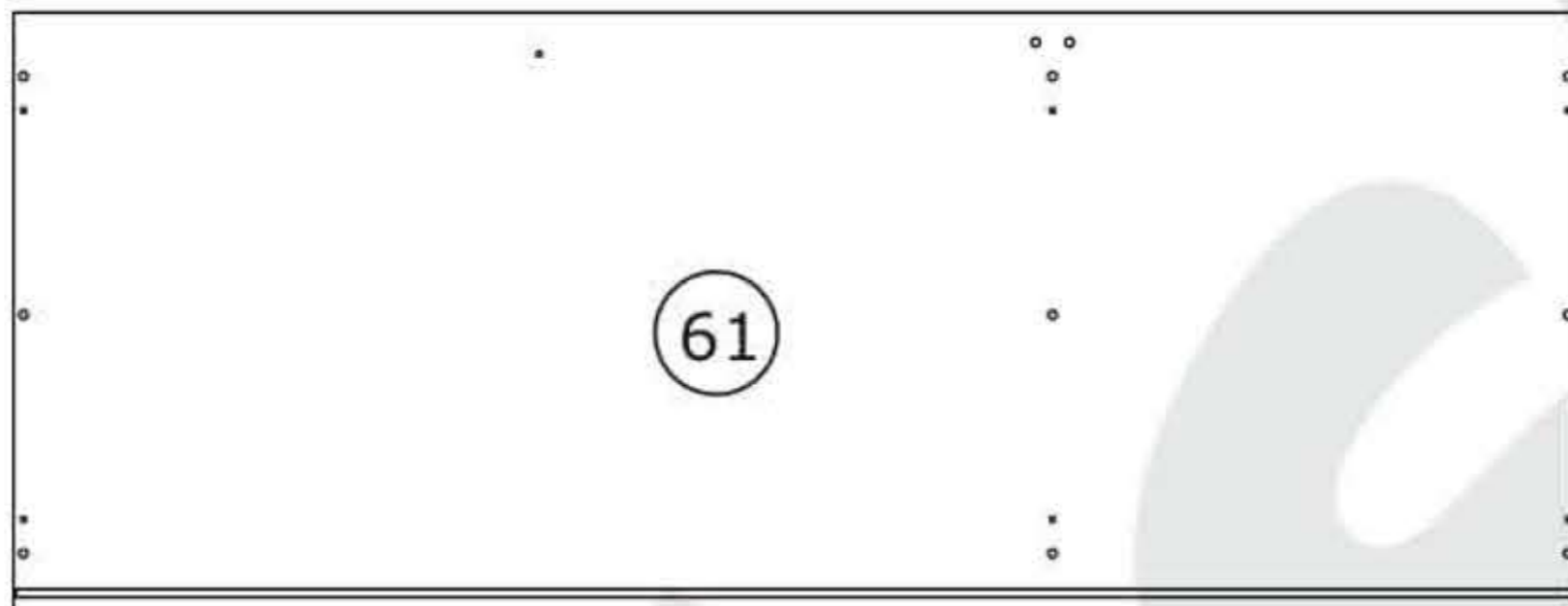
47

1930x48x16 mm



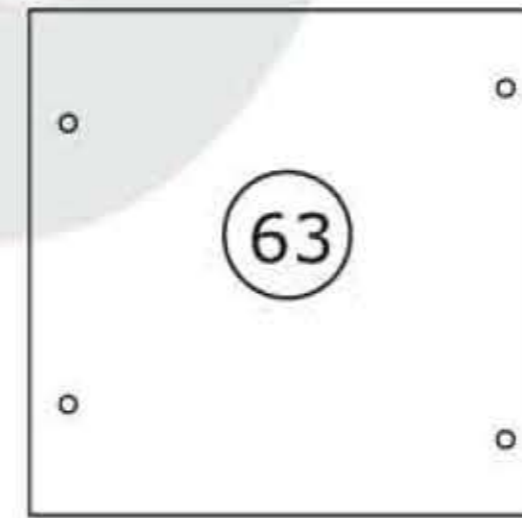
48

1312x44x16 mm



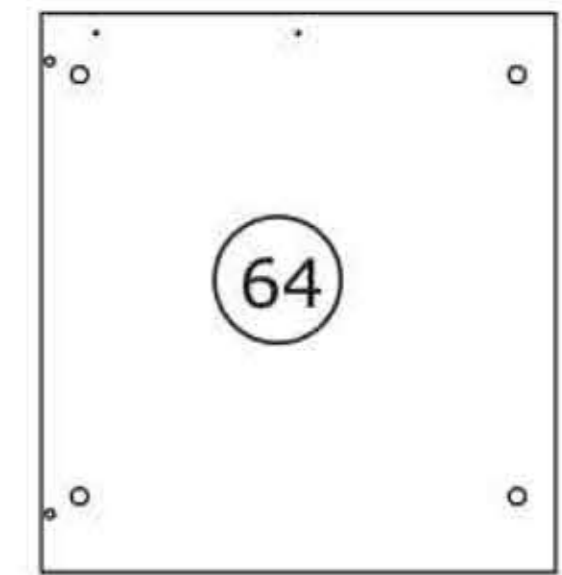
61

1468x566x16 mm



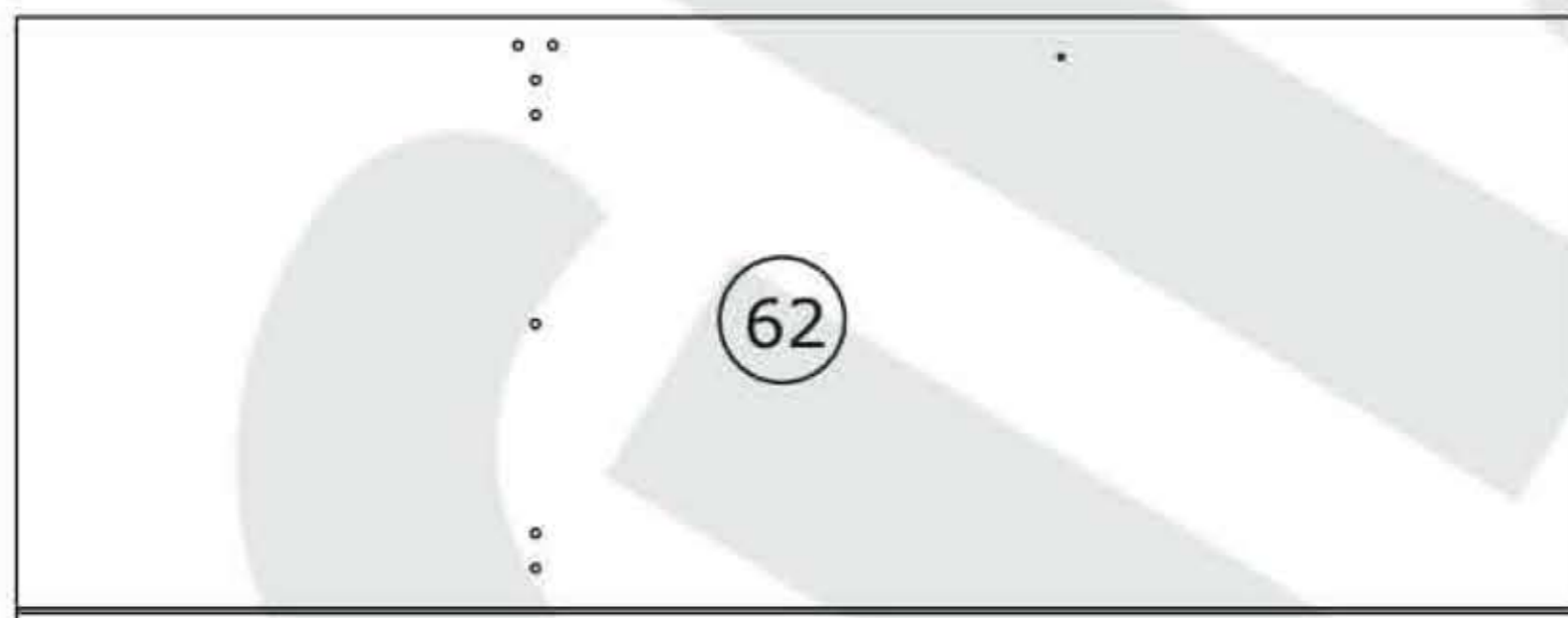
63

468x460x16 mm



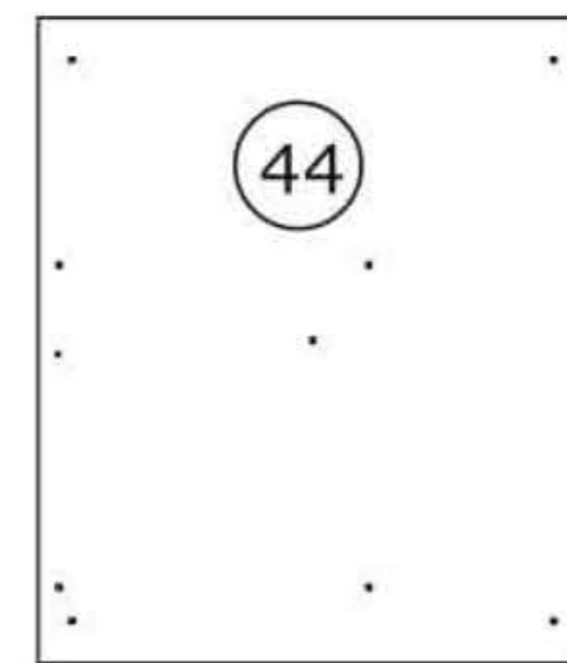
64

468x509x16 mm



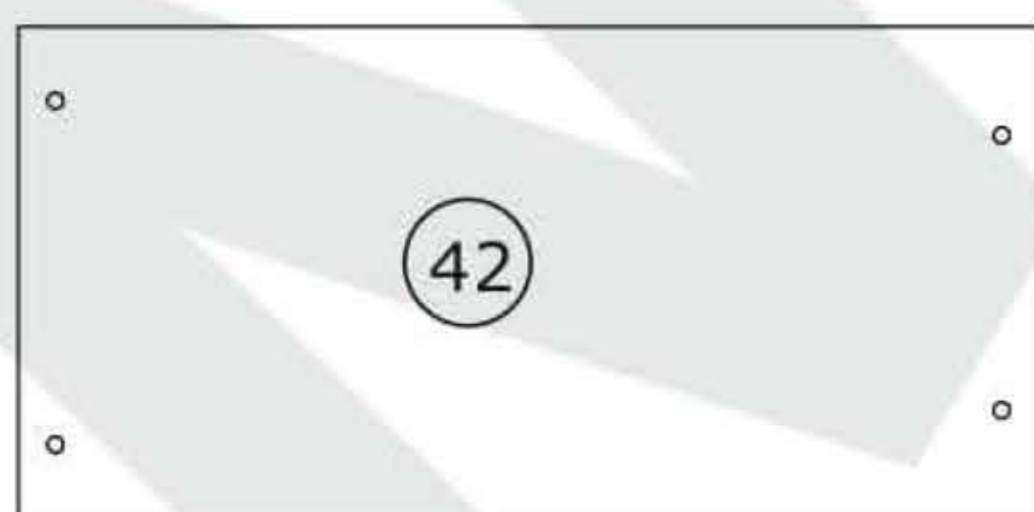
62

1434x564x16 mm



44

602x509x16 mm



42

950x460x16 mm



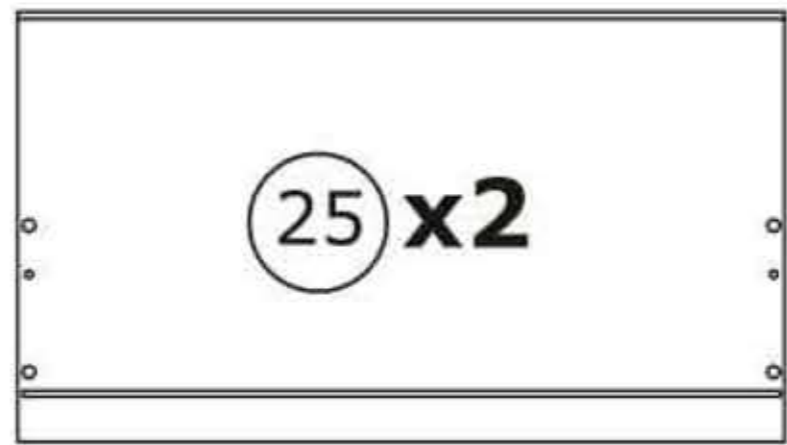
65

452x48x16 mm **x2**

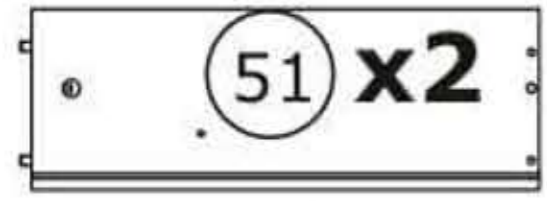


66

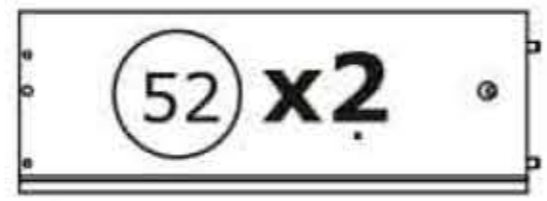
1434x88x16 mm **x2**



464x282x16 mm



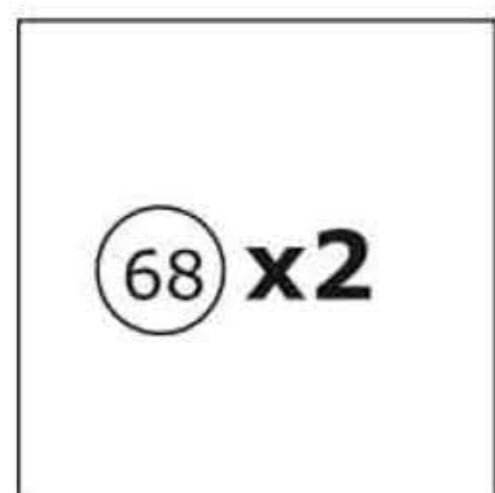
450x160x12 mm



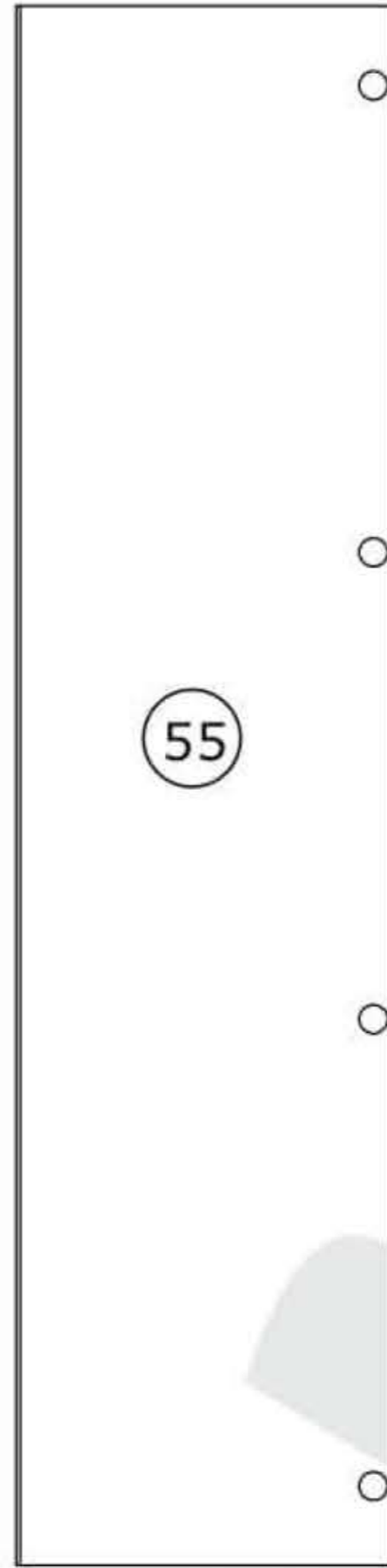
450x160x12 mm



420x145x12 mm



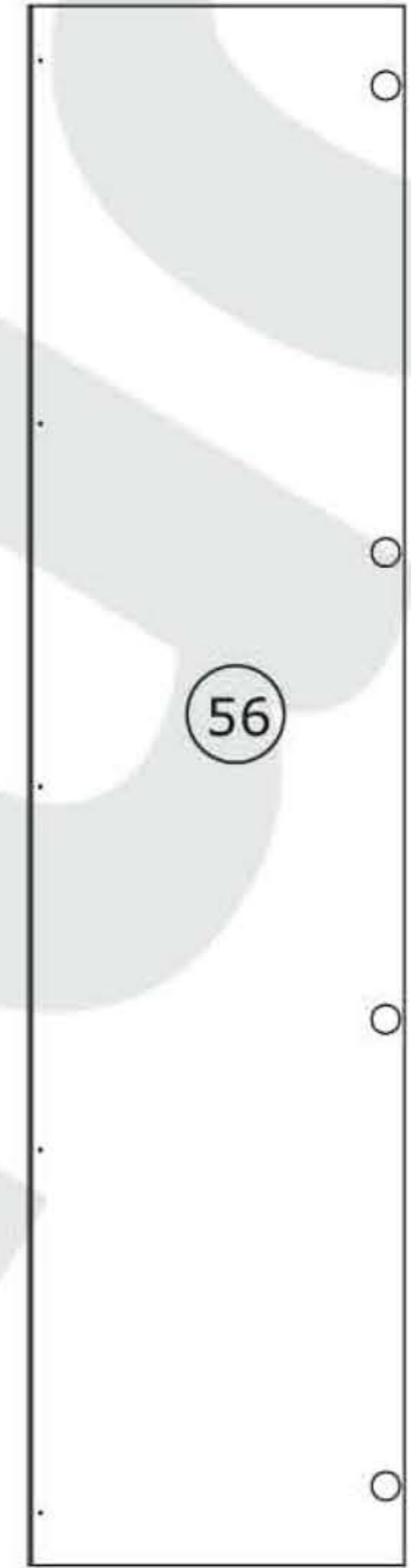
430x457x3 mm



1924x464x16 mm



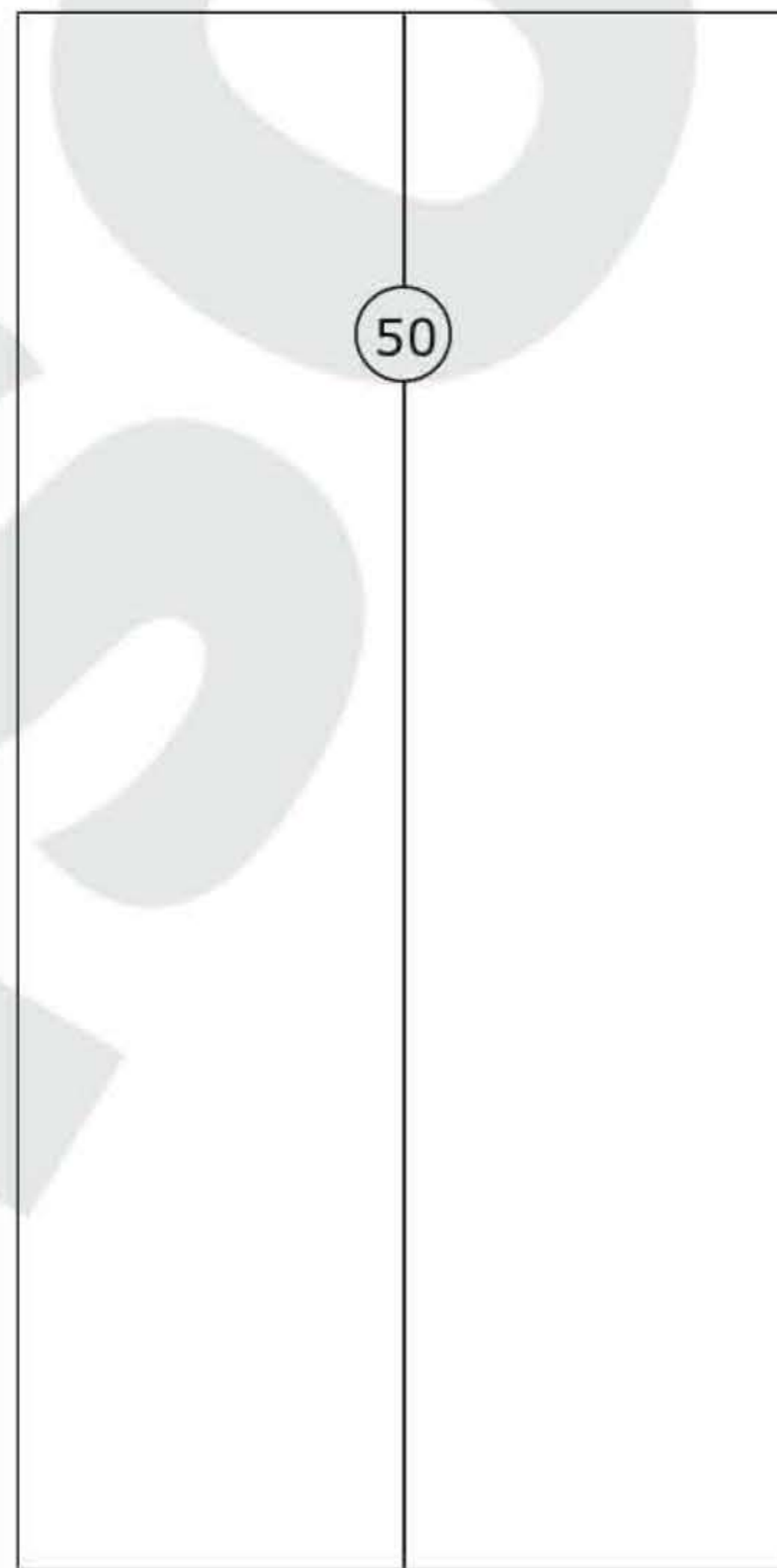
1922x55x16 mm



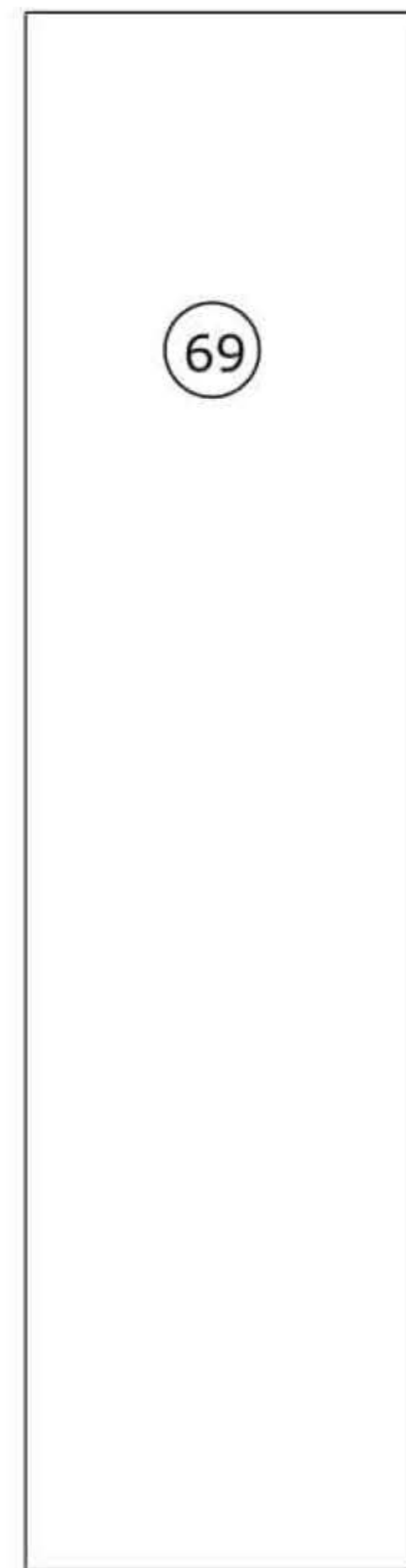
1924x464x16 mm



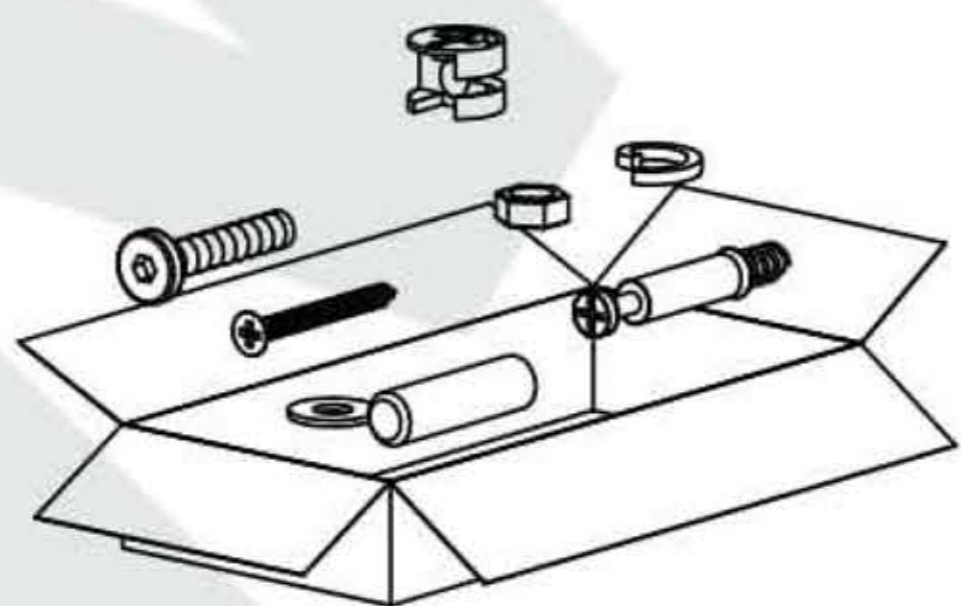
1324x464x16 mm



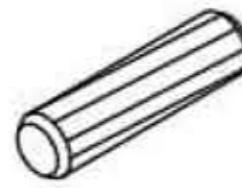


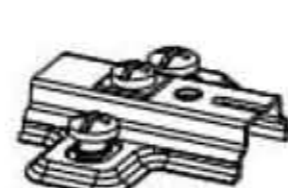

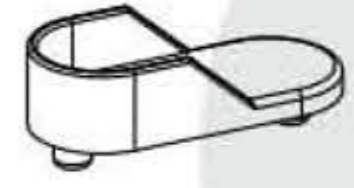
1940x962x3 mm

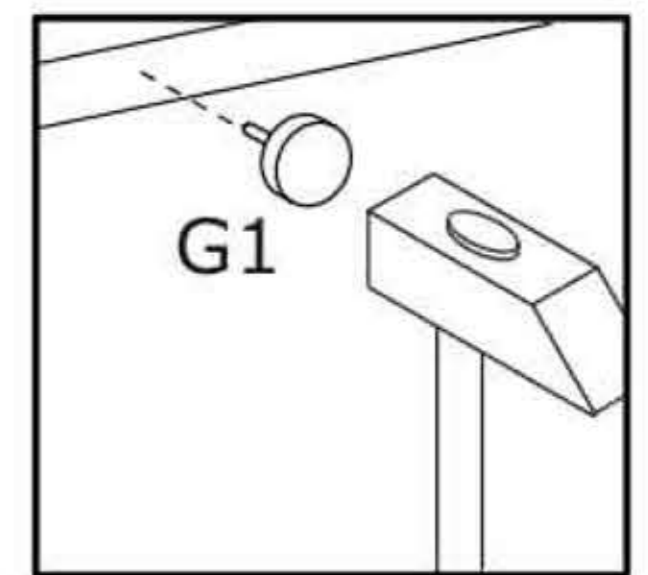
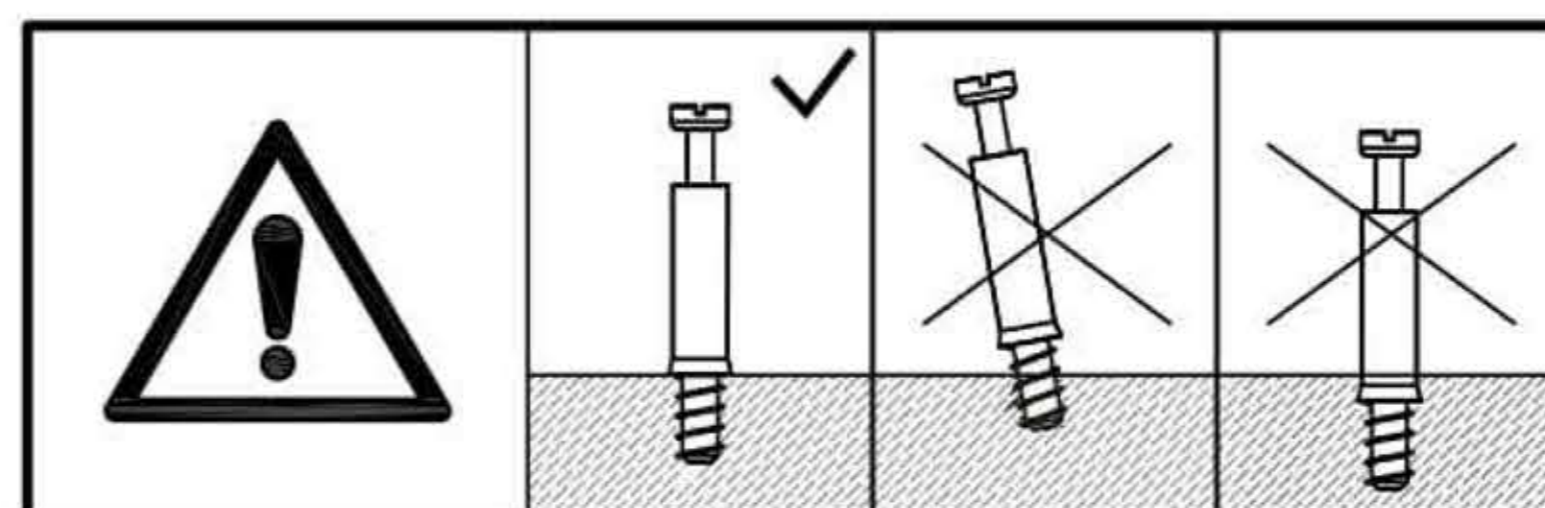
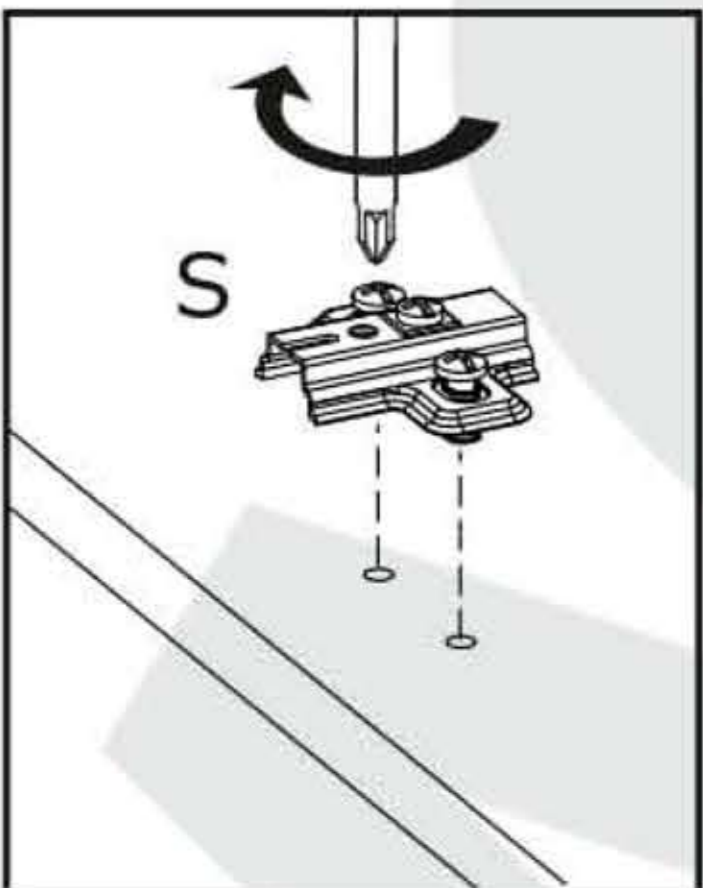
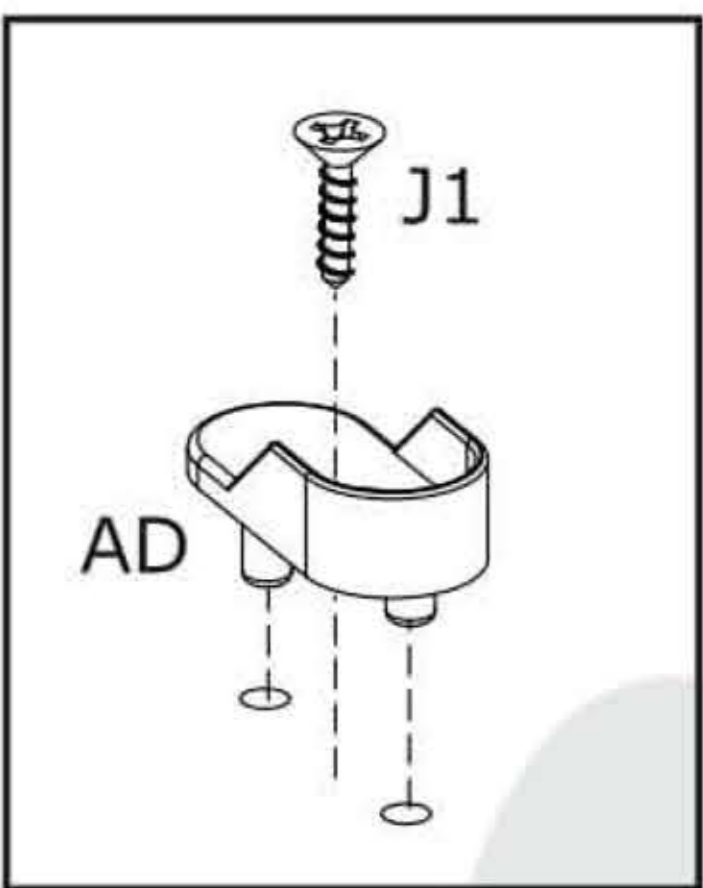
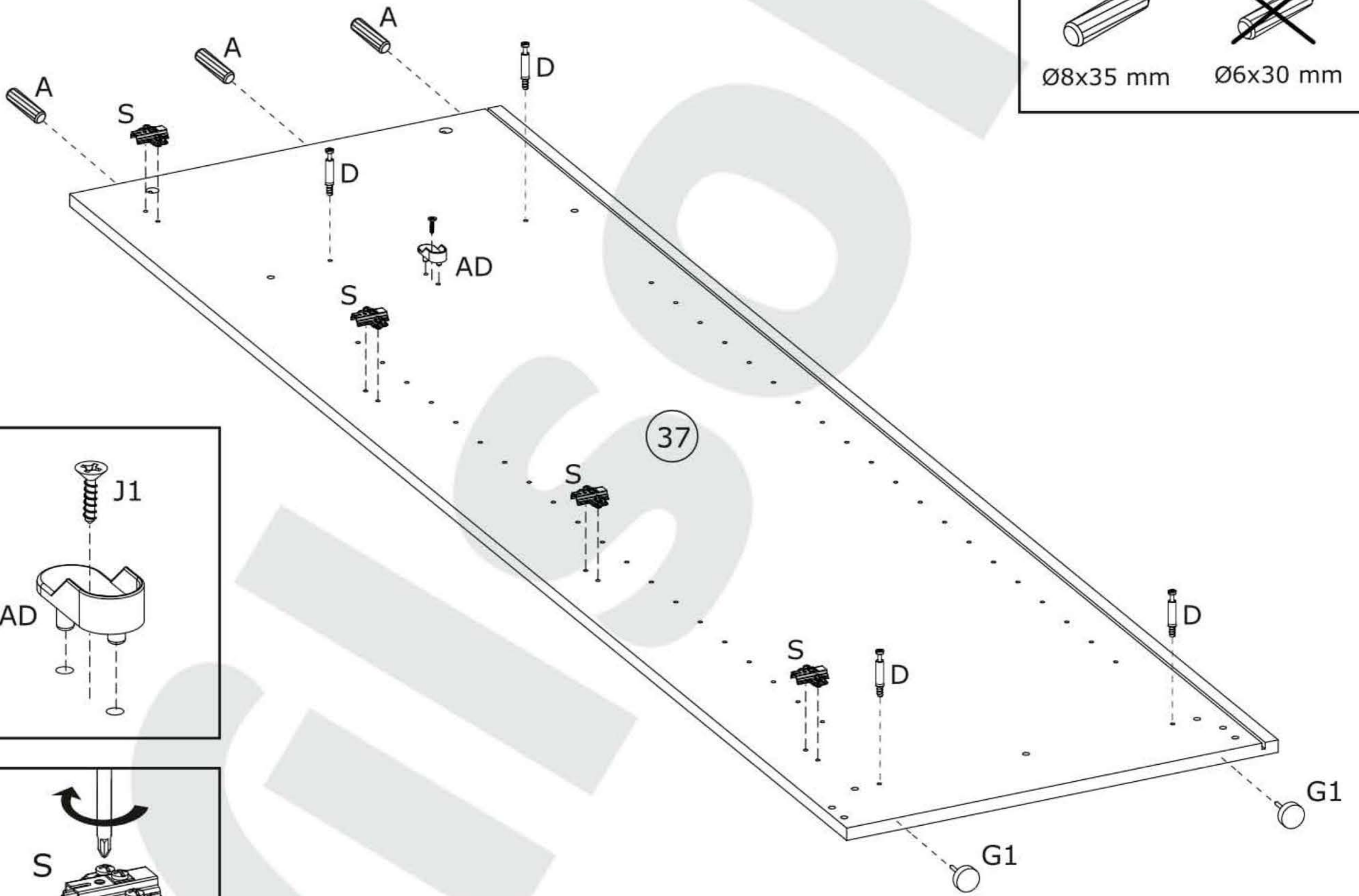
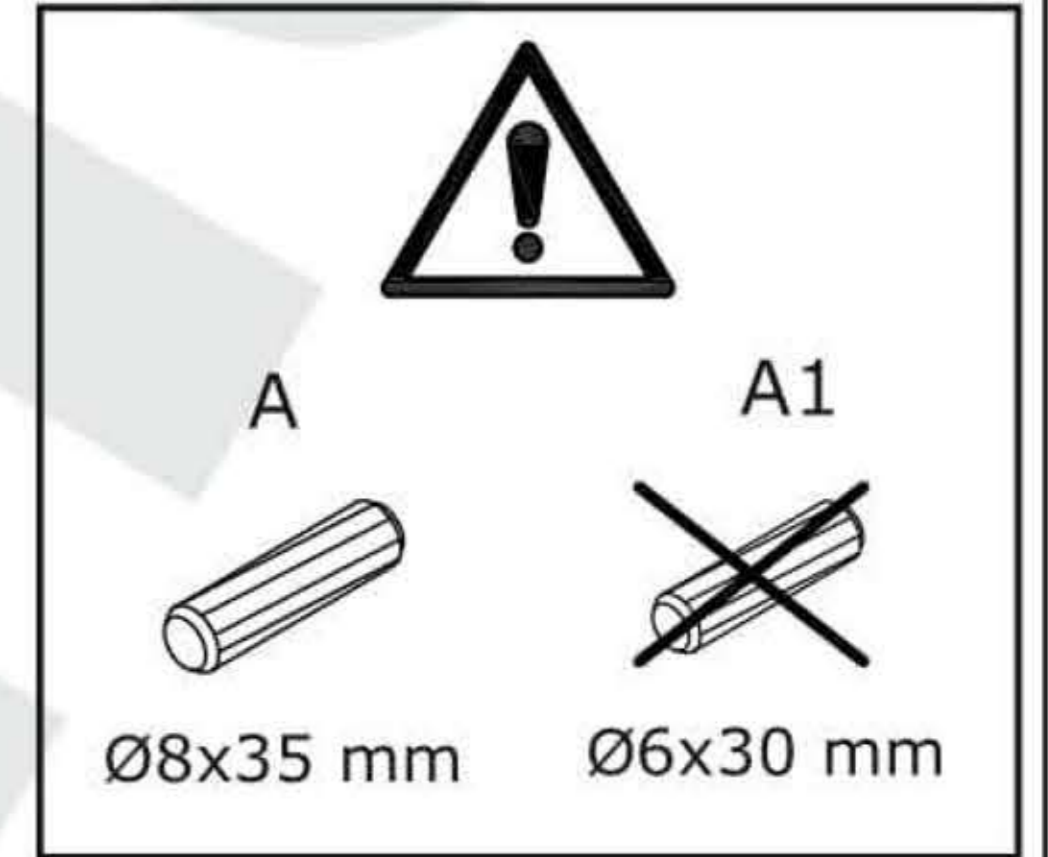
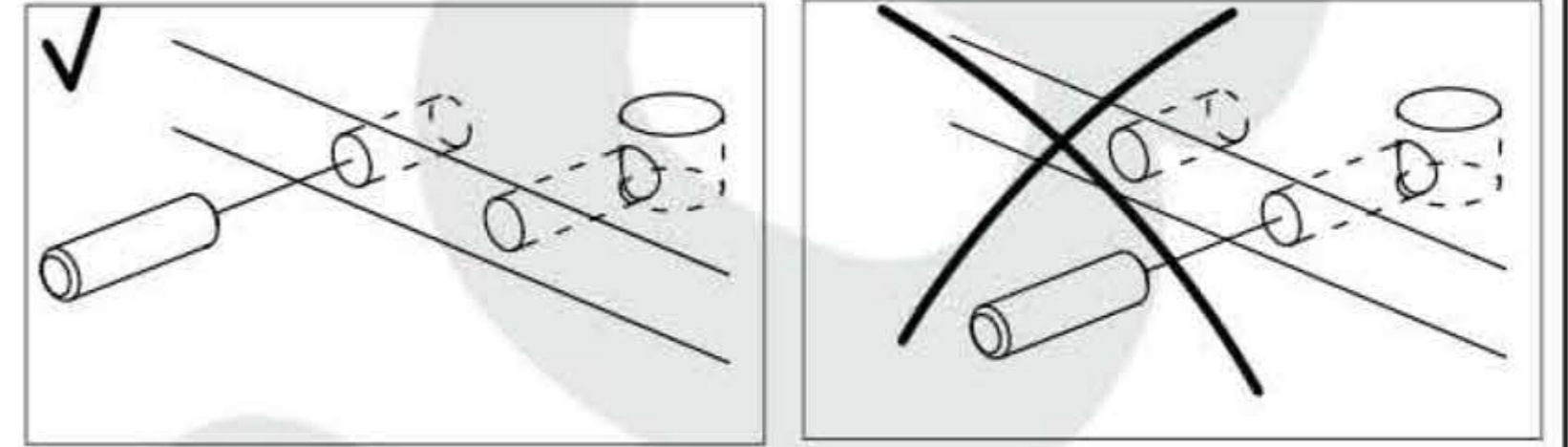
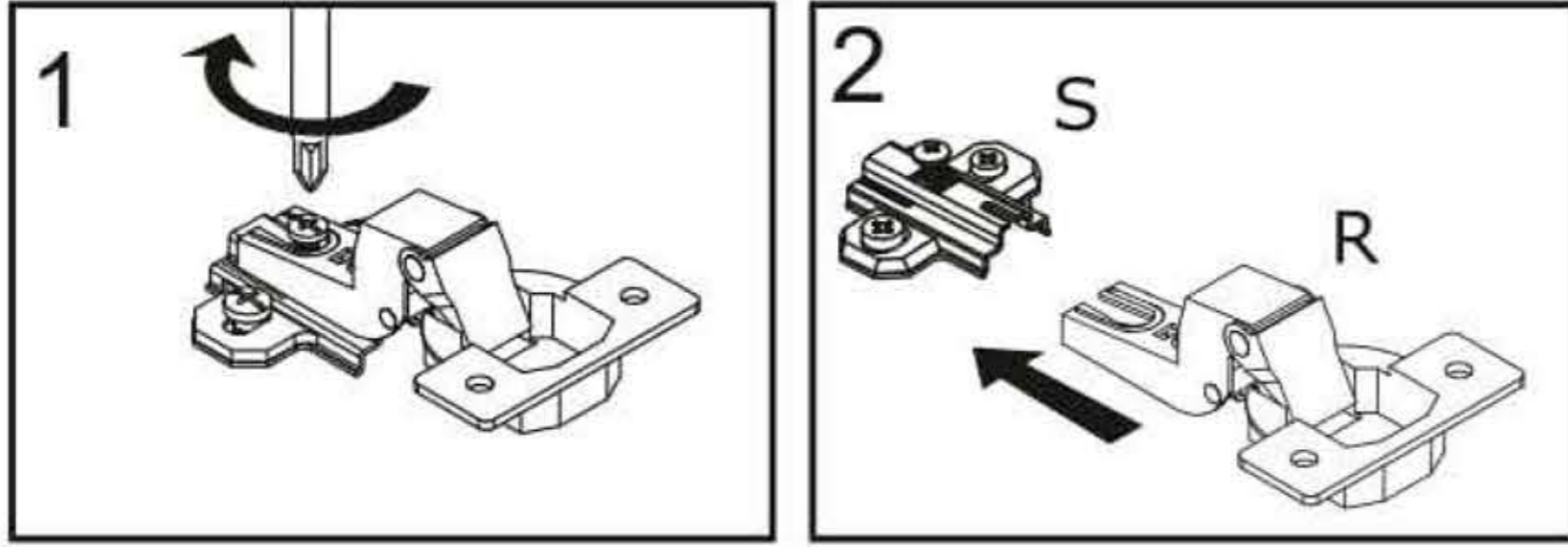
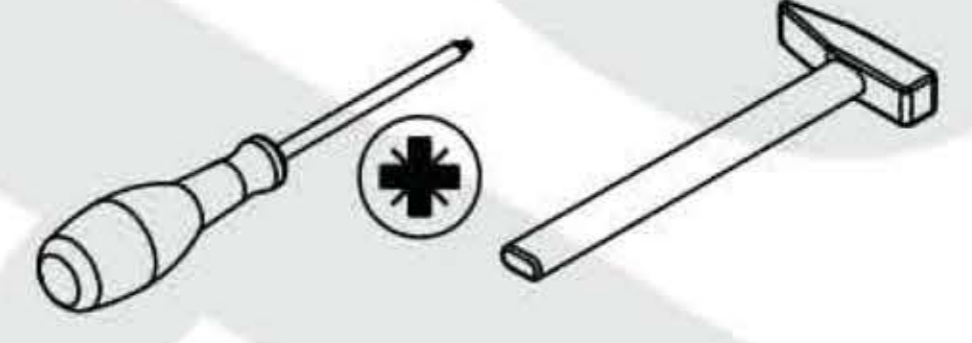


1940x481x3 mm

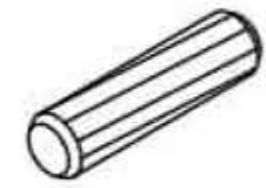



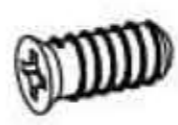
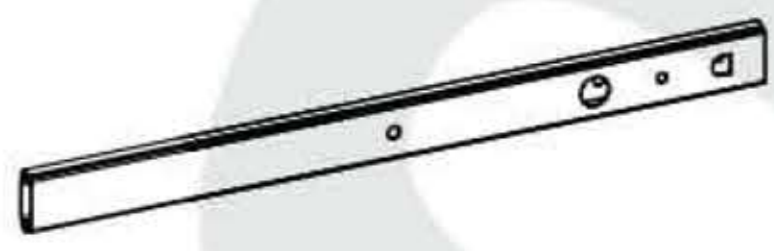

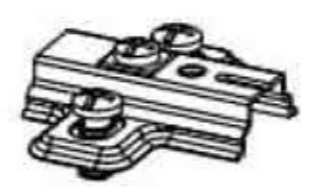


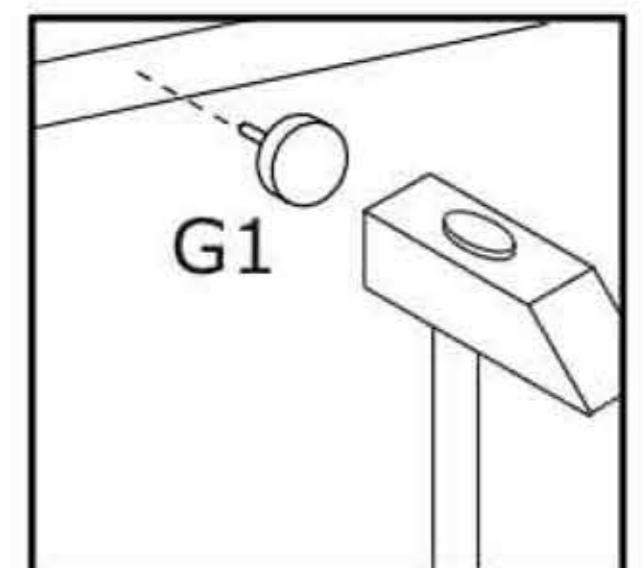
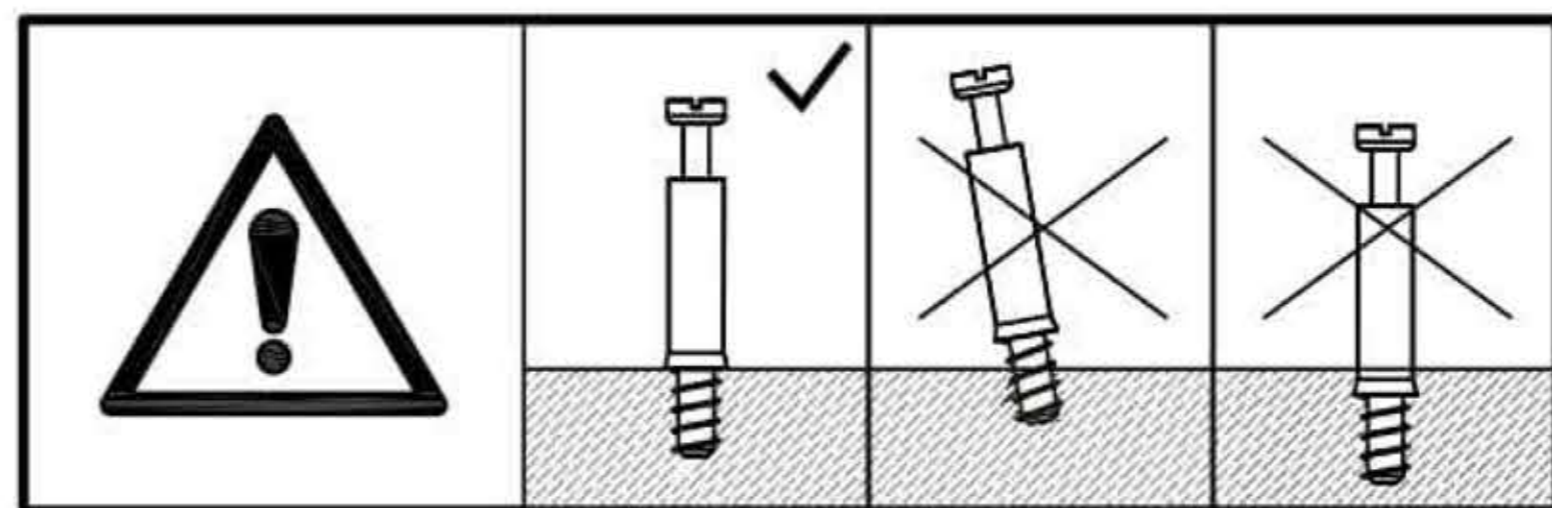
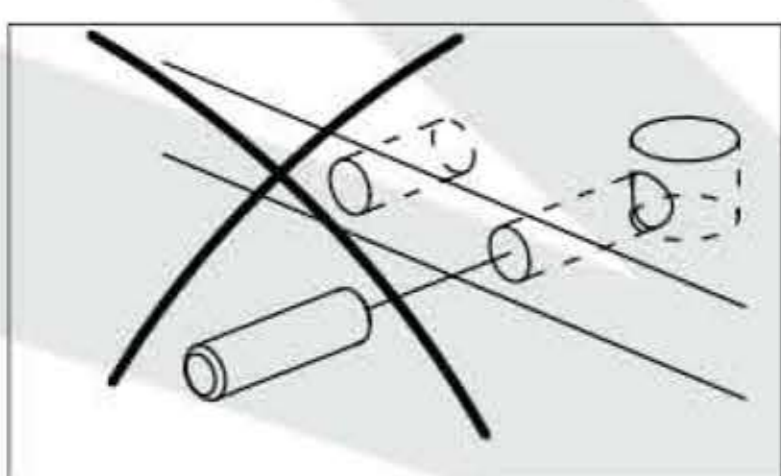
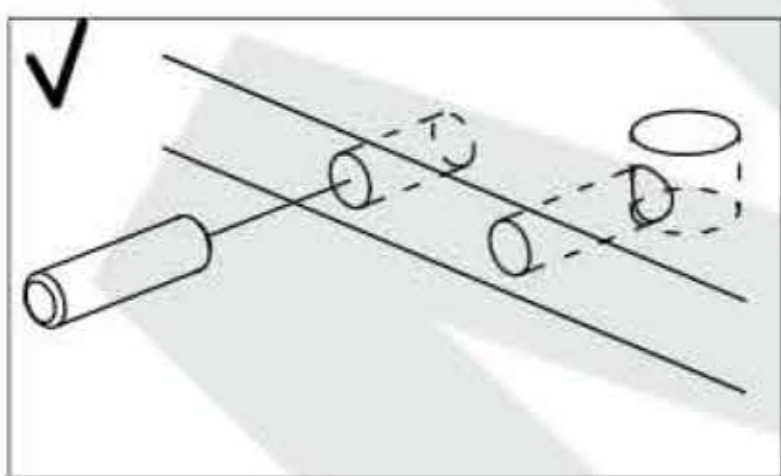
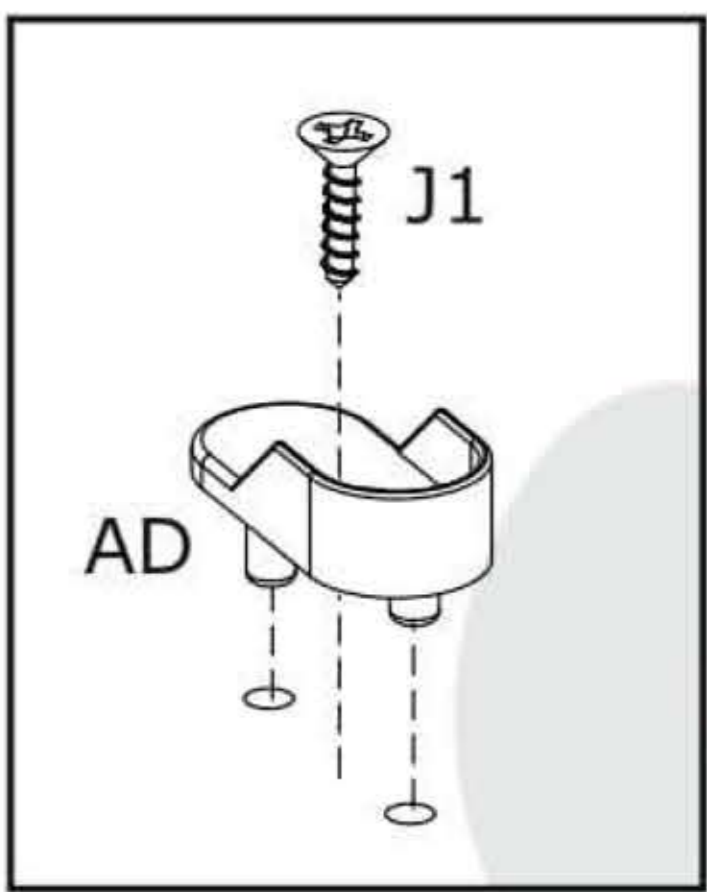
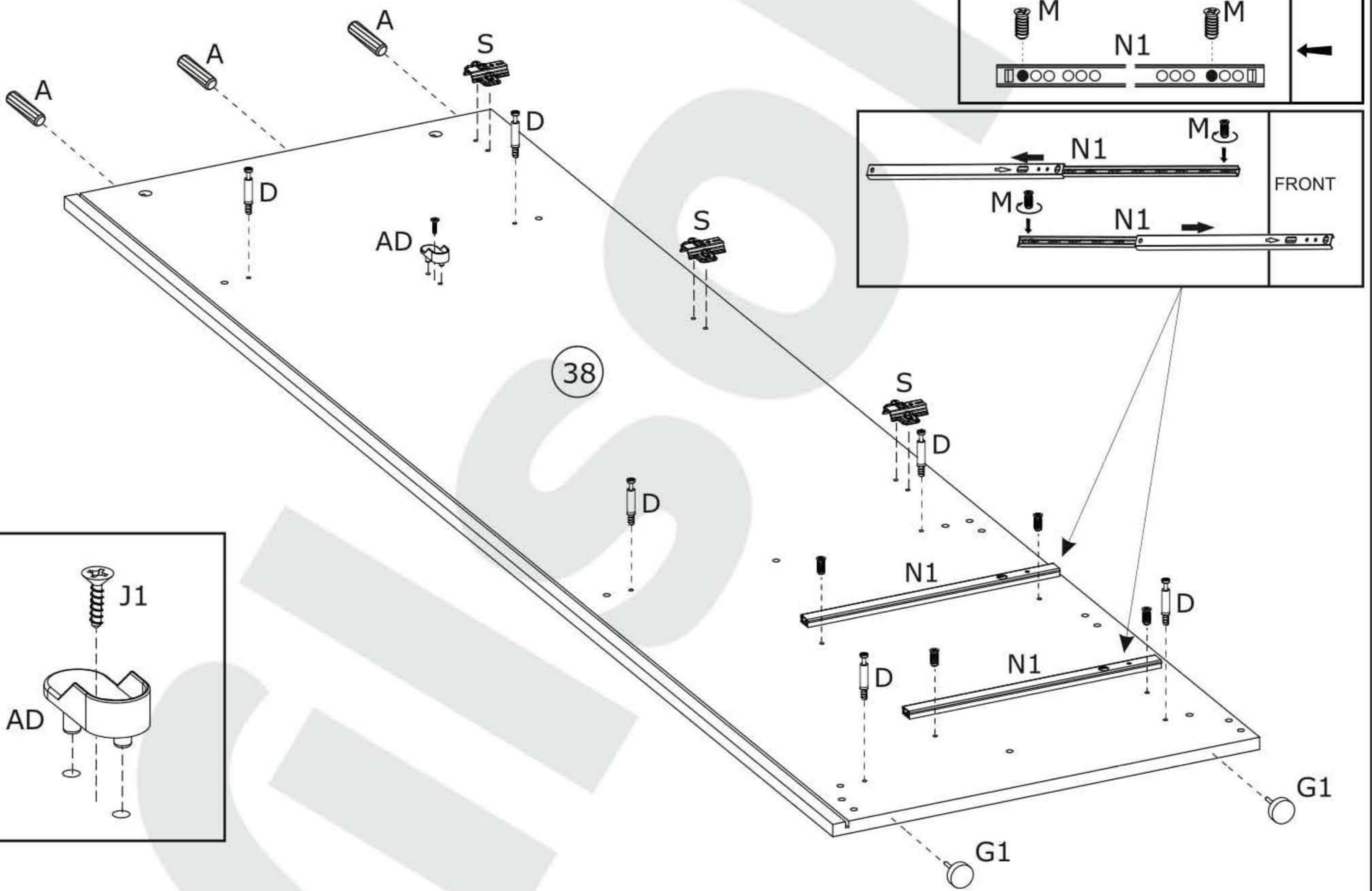
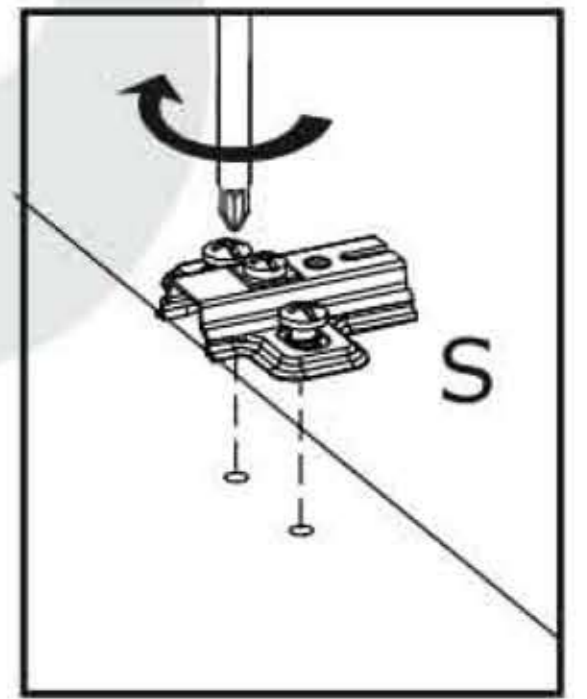
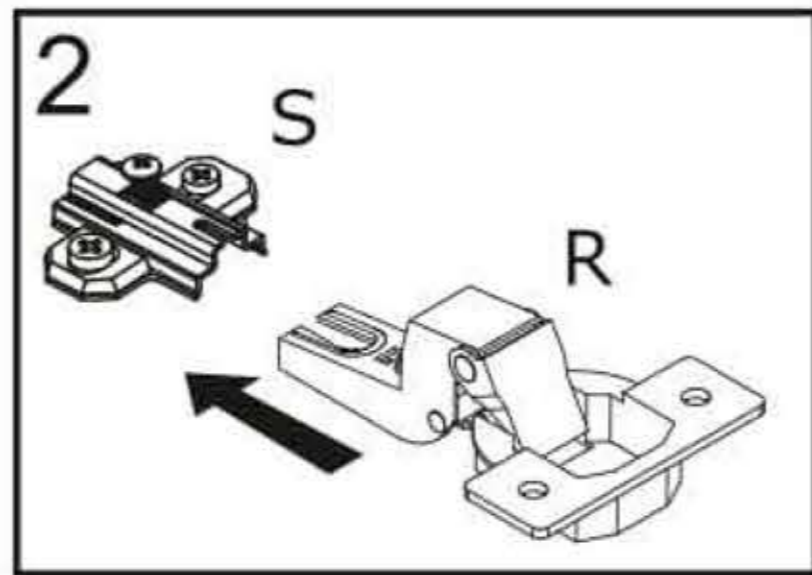
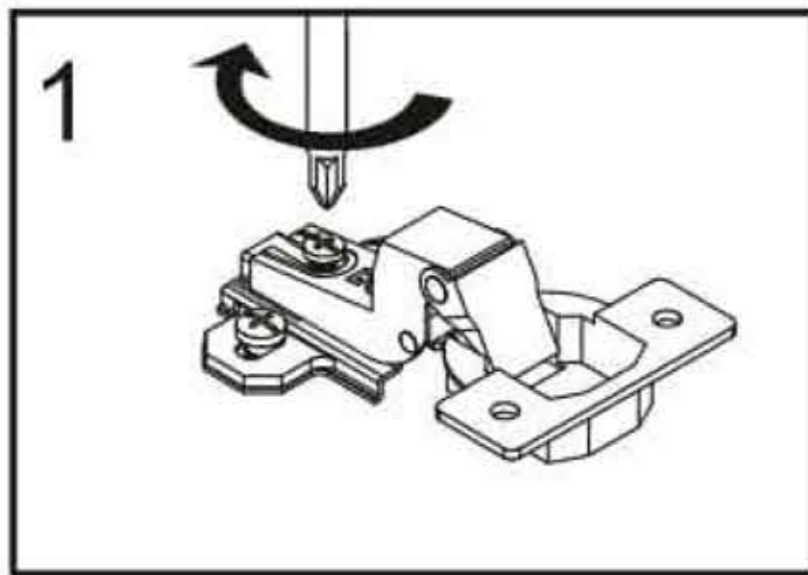
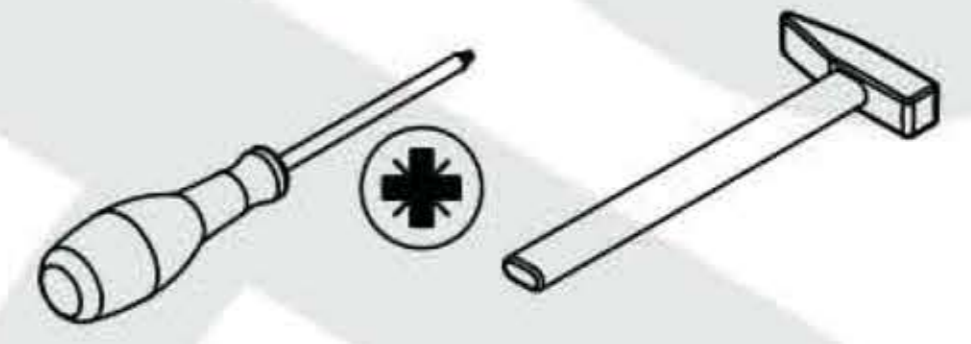
1

A x 3  Ø8x35 mm	G1 x 2 	D x 4  Ø5x44 mm	S x 4 	J1 x 1  3,5x13 mm	AD x 1 	
--	---	--	--	--	---	--

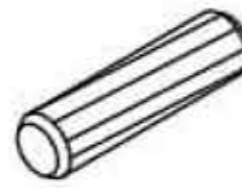



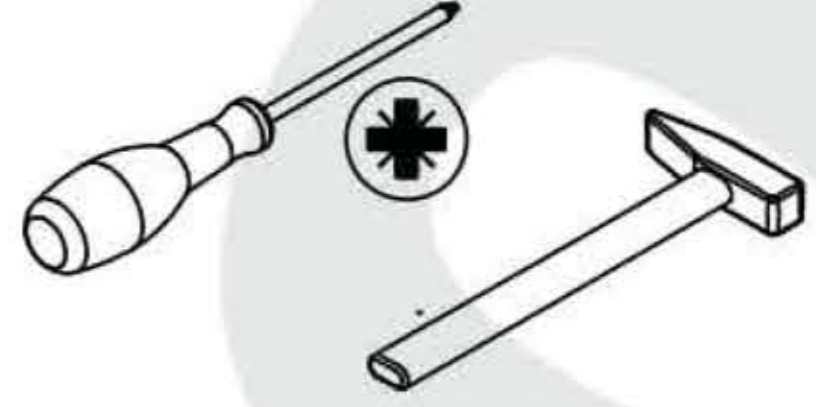


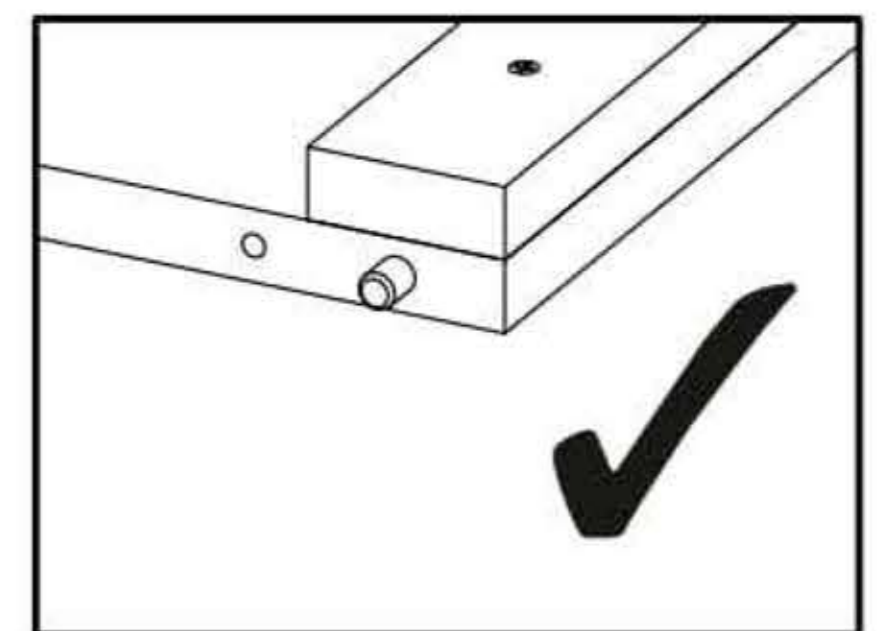
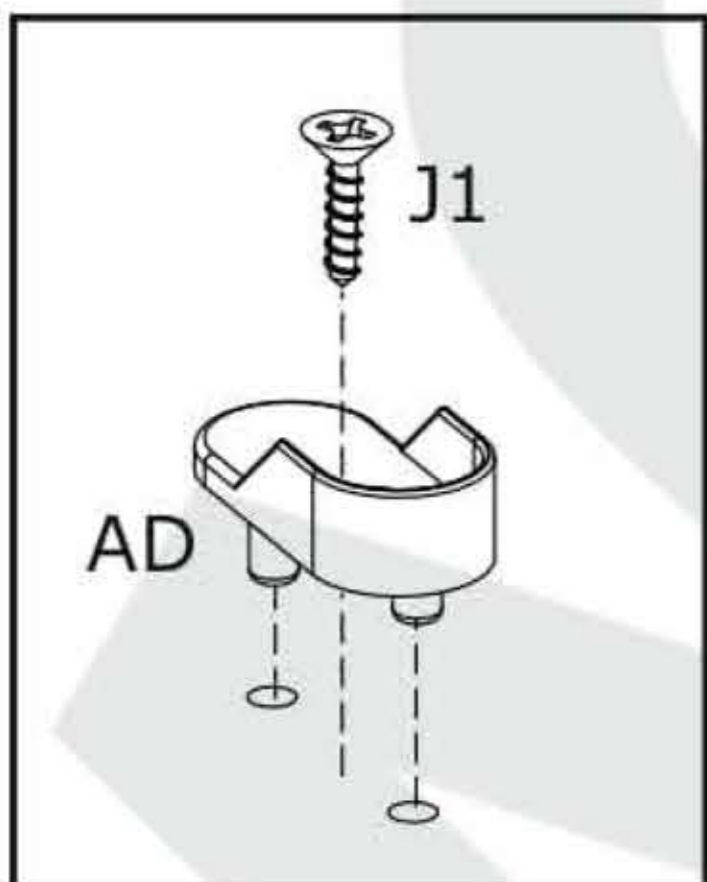
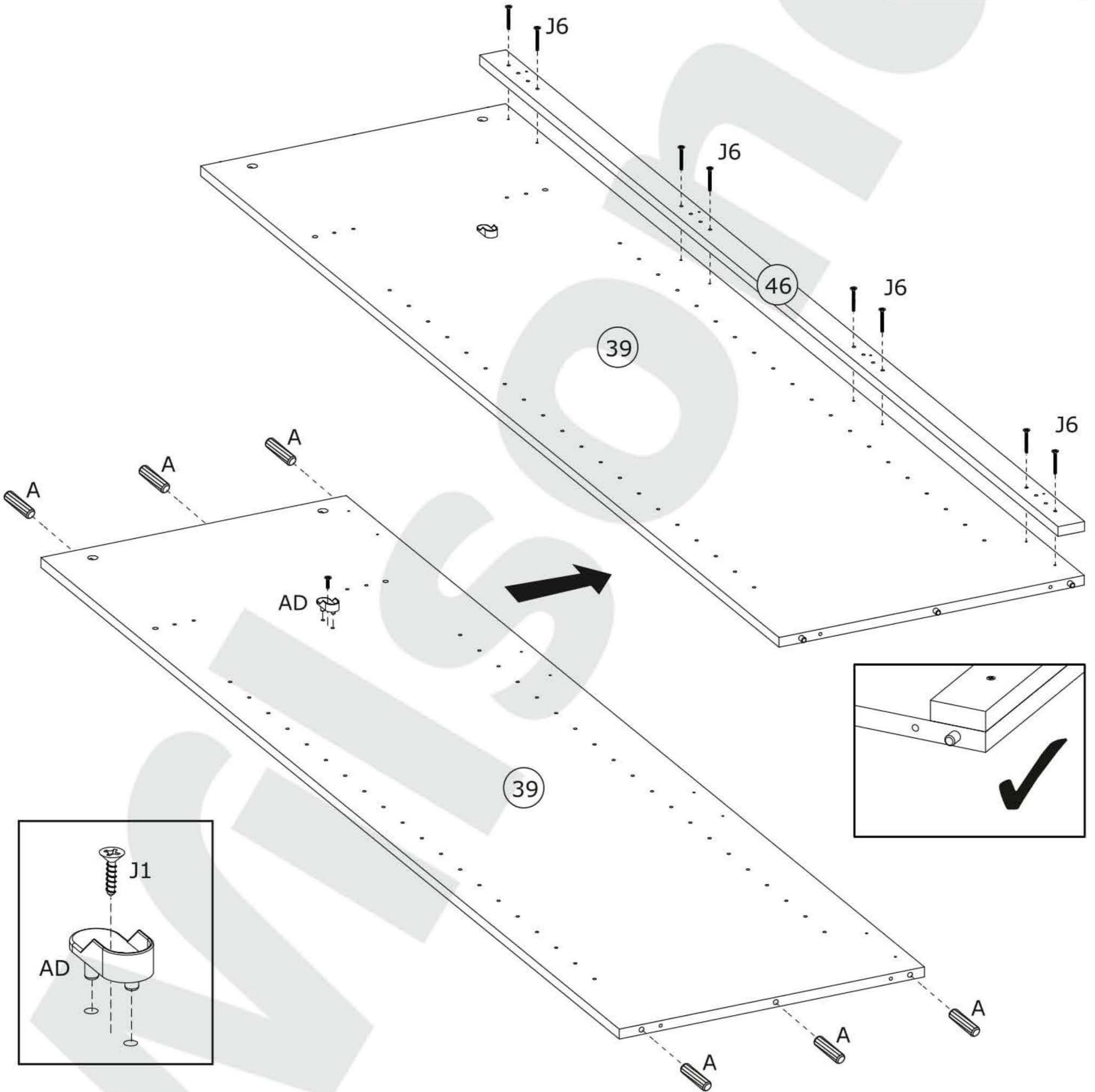
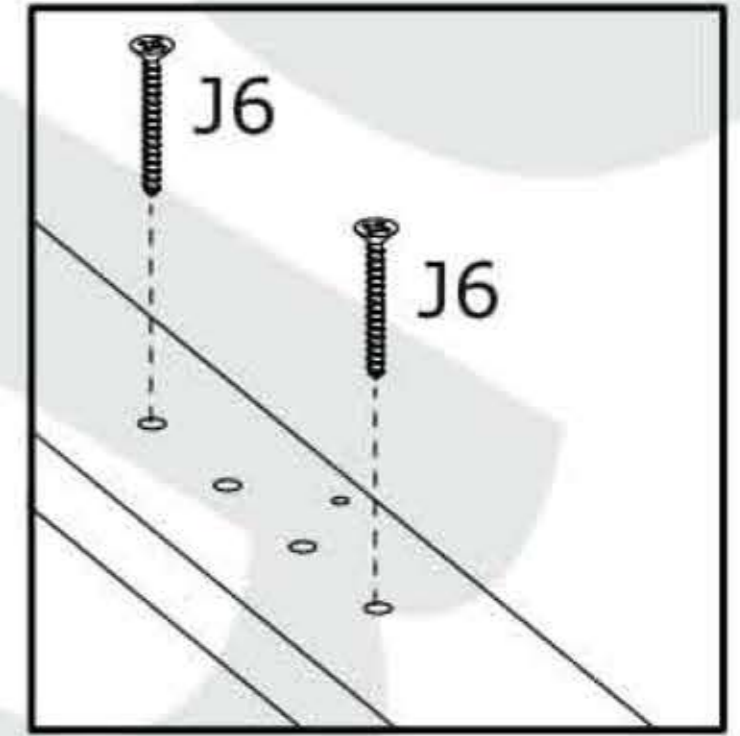
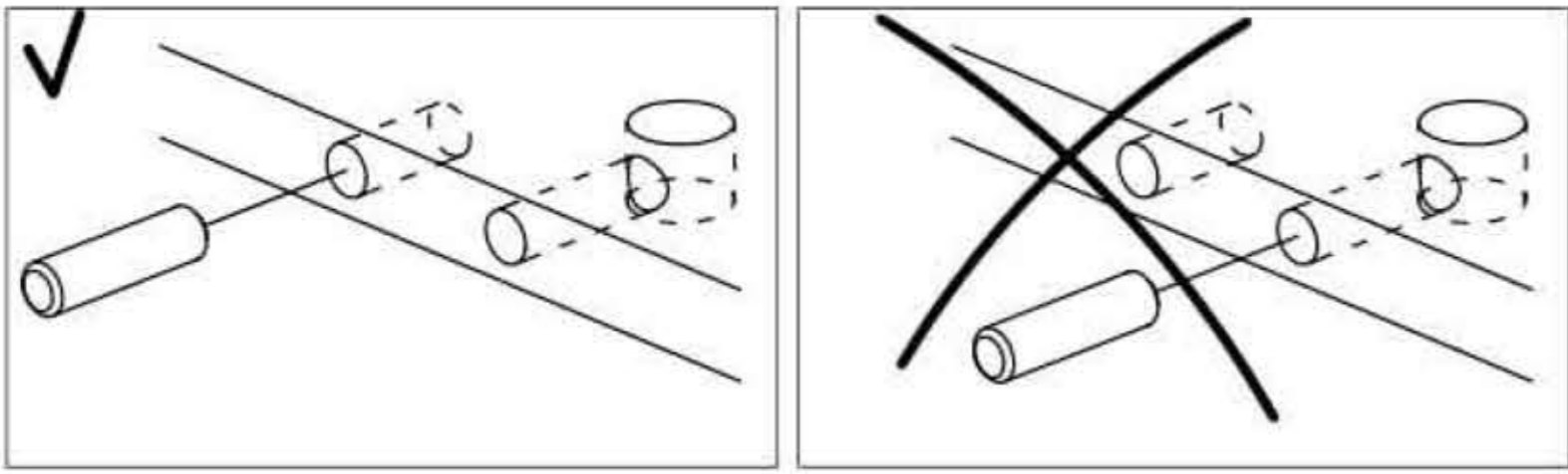
2

A x 3  Ø8x35 mm	G1 x 2  G1 x 2	J1 x 1  3,5x13 mm	AD x 1  AD x 1	M x 4  Ø6,3x13 mm	N1 x 2  342 mm
D x 6  Ø5x44 mm	S x 3 				


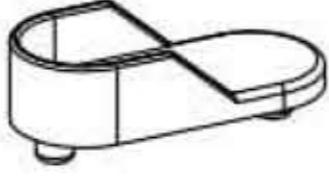


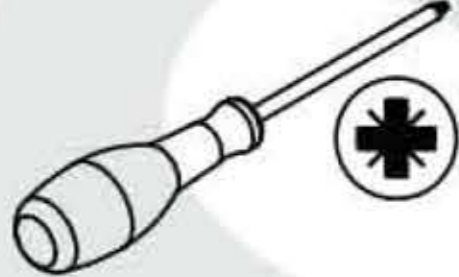


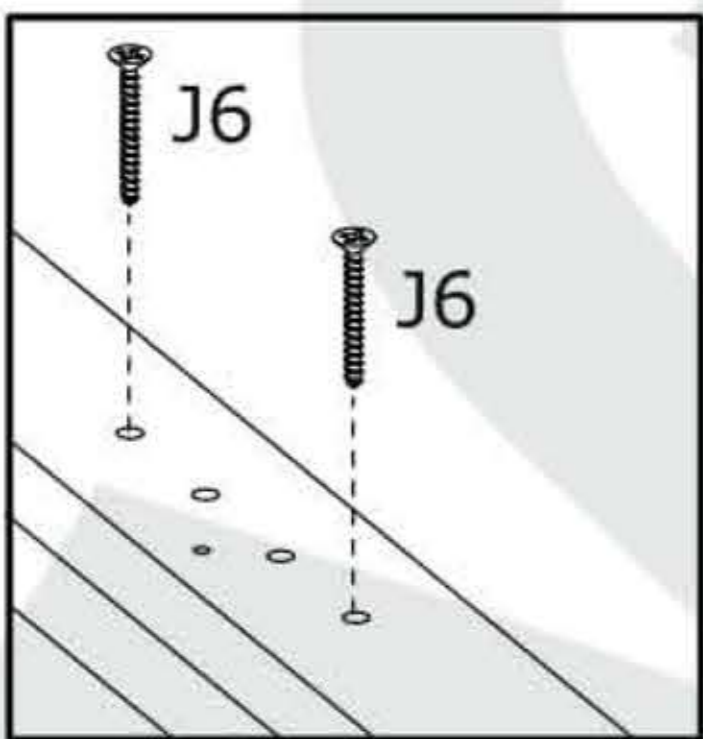
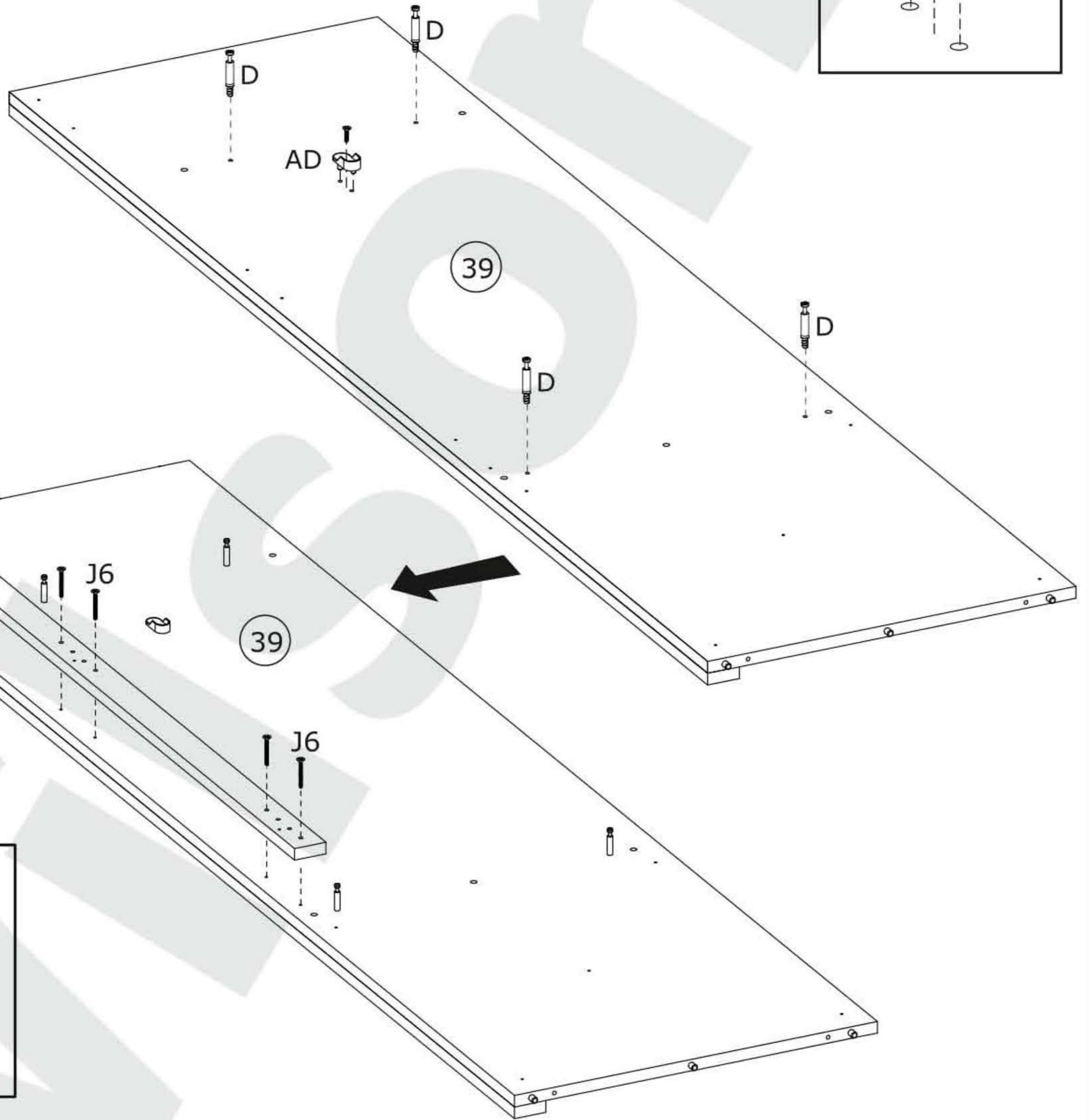
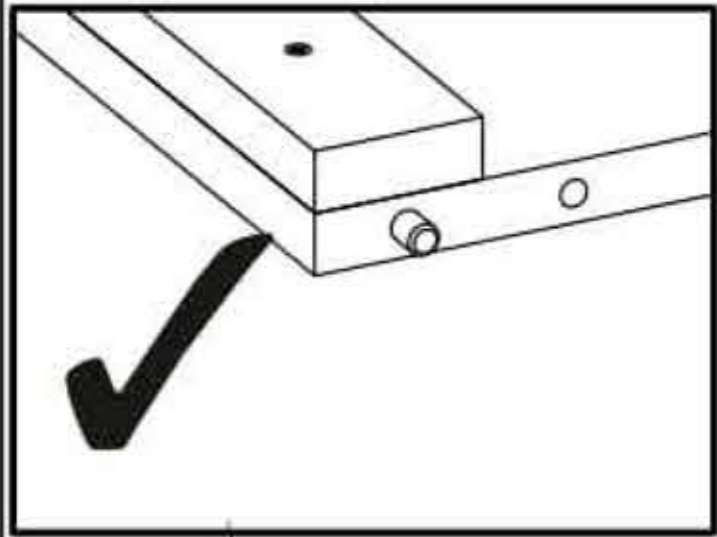
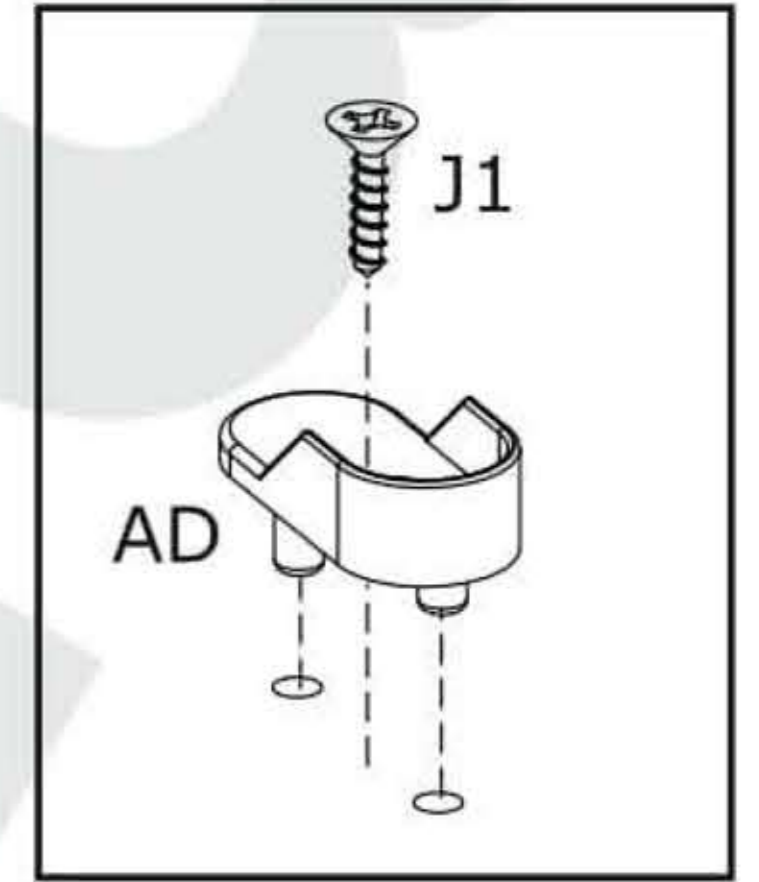
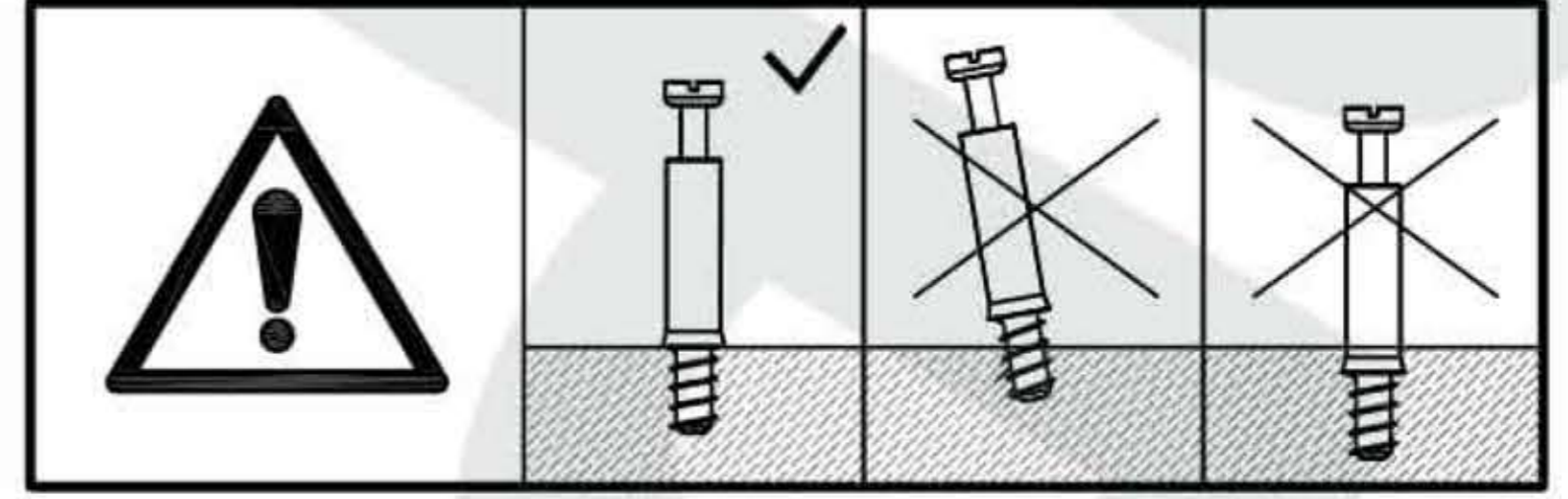
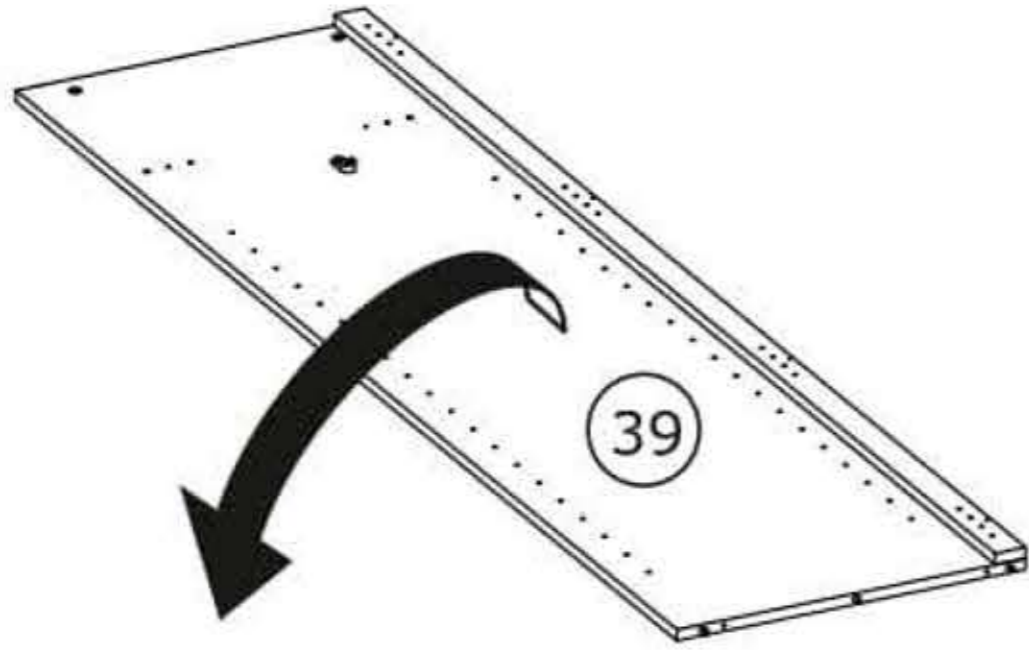
3

A x 6  Ø8x35 mm	J1 x 1  3,5x13 mm	AD x 1 	J6 x 8  4x30 mm	
--	--	--	--	---

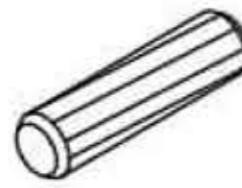
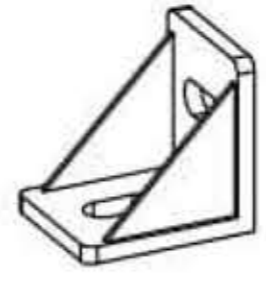




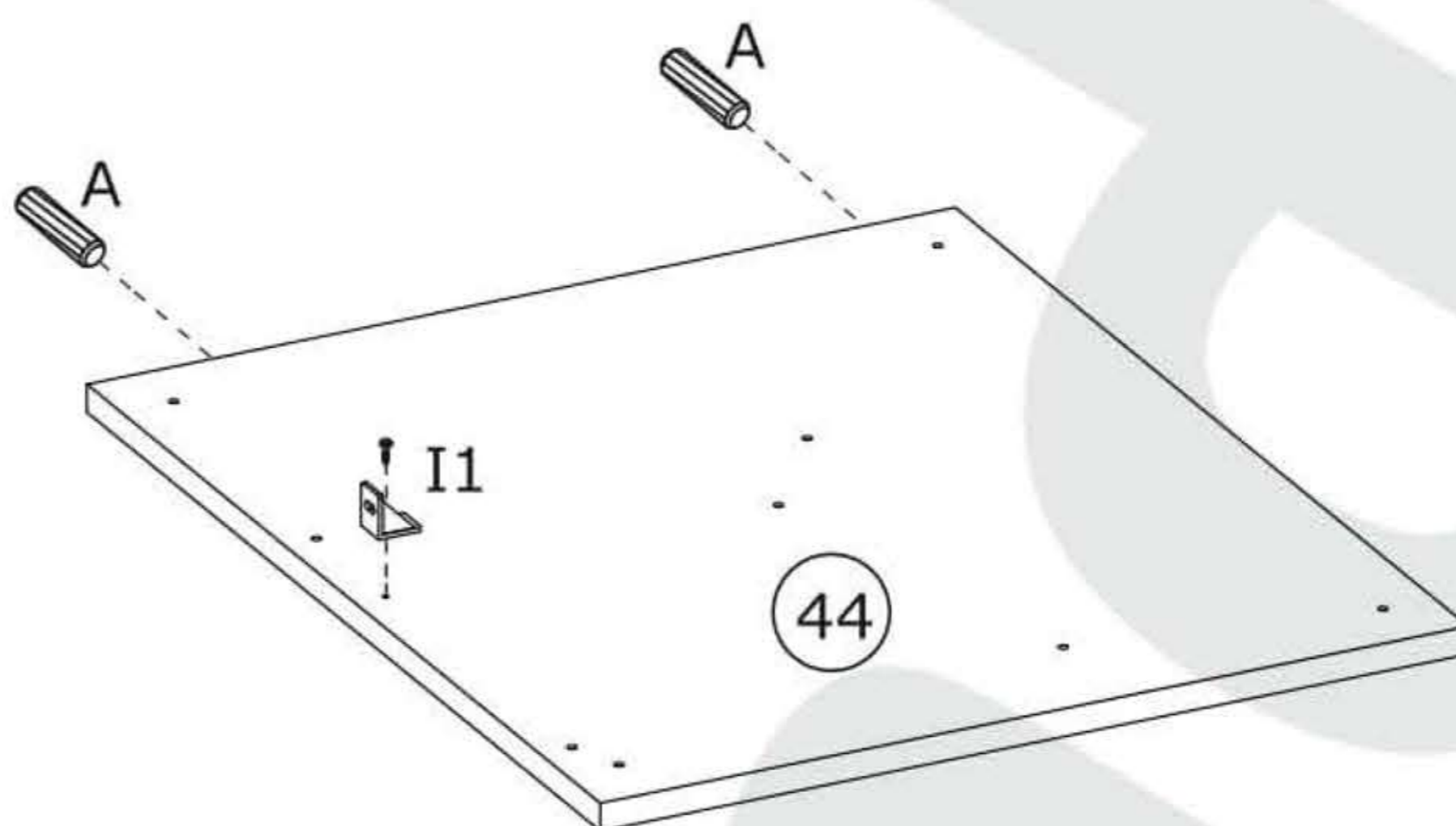
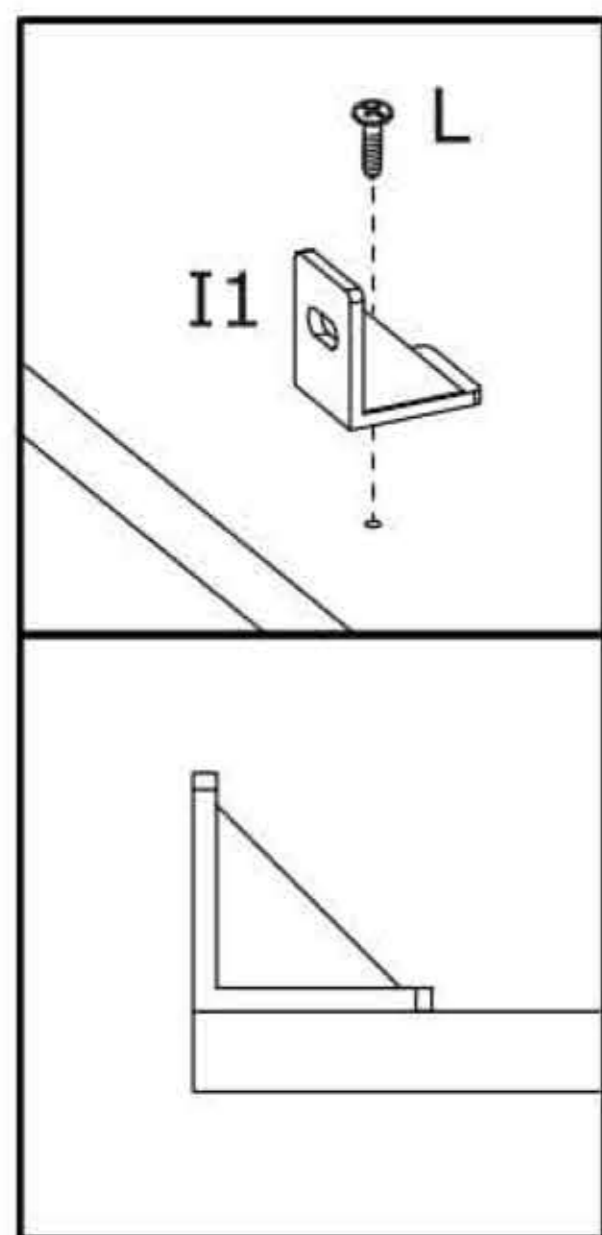
4

J1 x 1  3,5x13 mm	AD x 1 	D x 4  Ø5x44 mm	J6 x 6  4x30 mm	
--	---	---	--	---

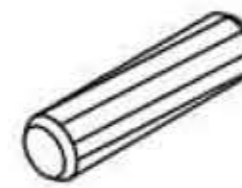

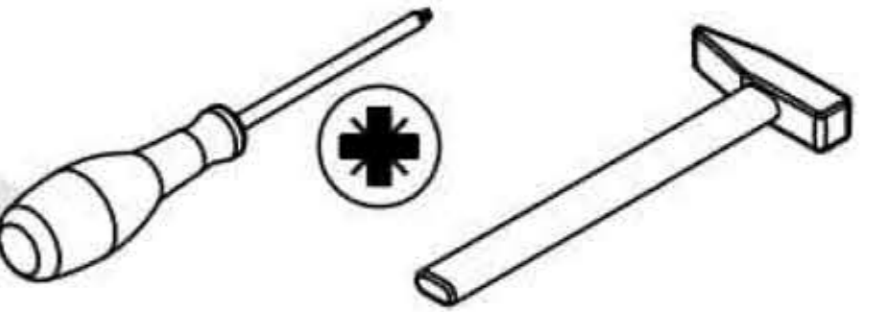


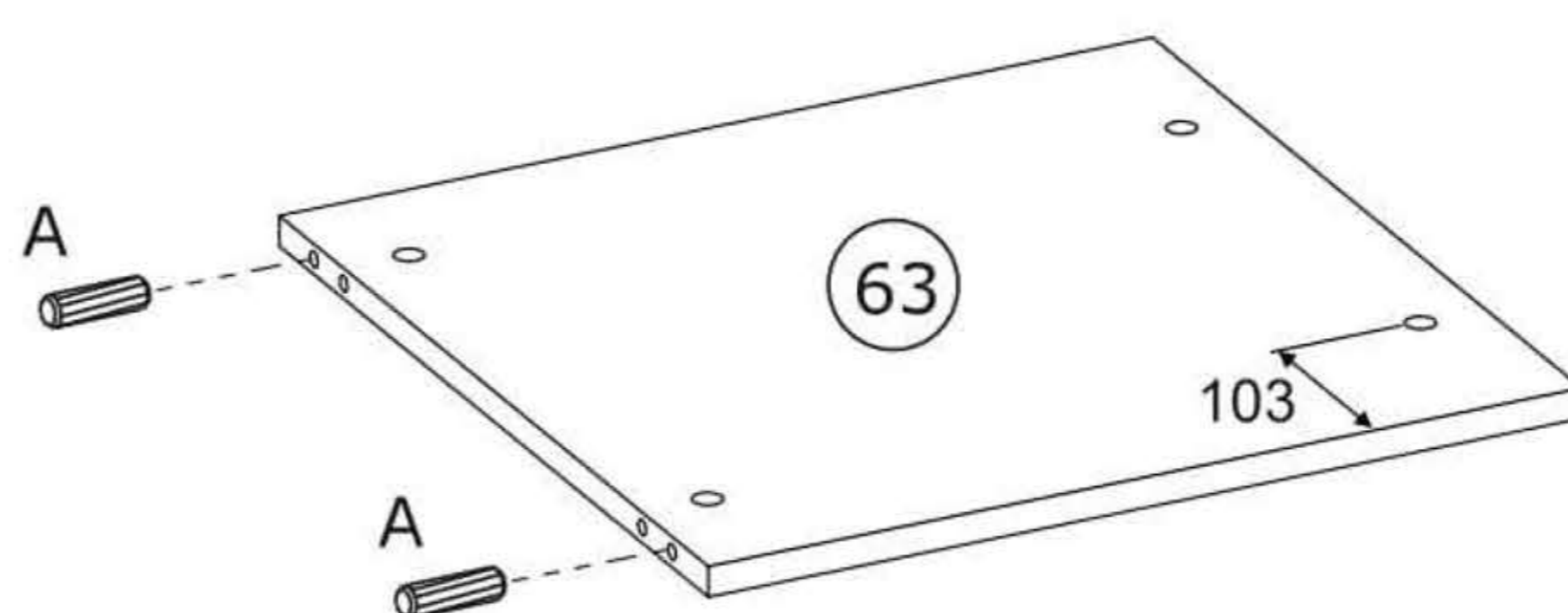
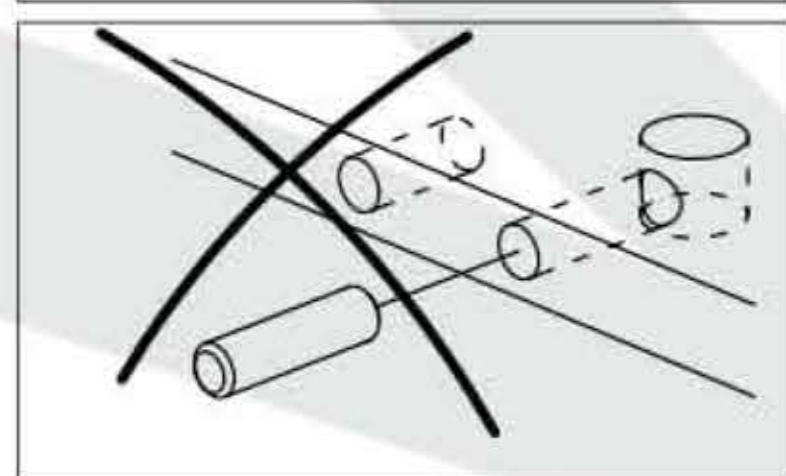
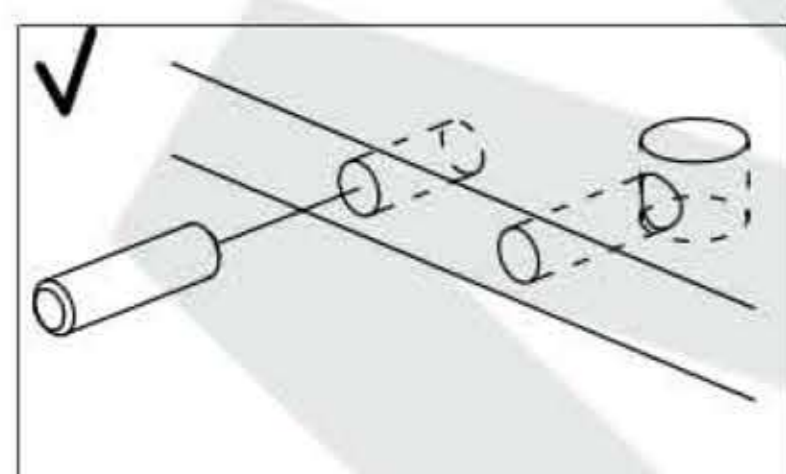
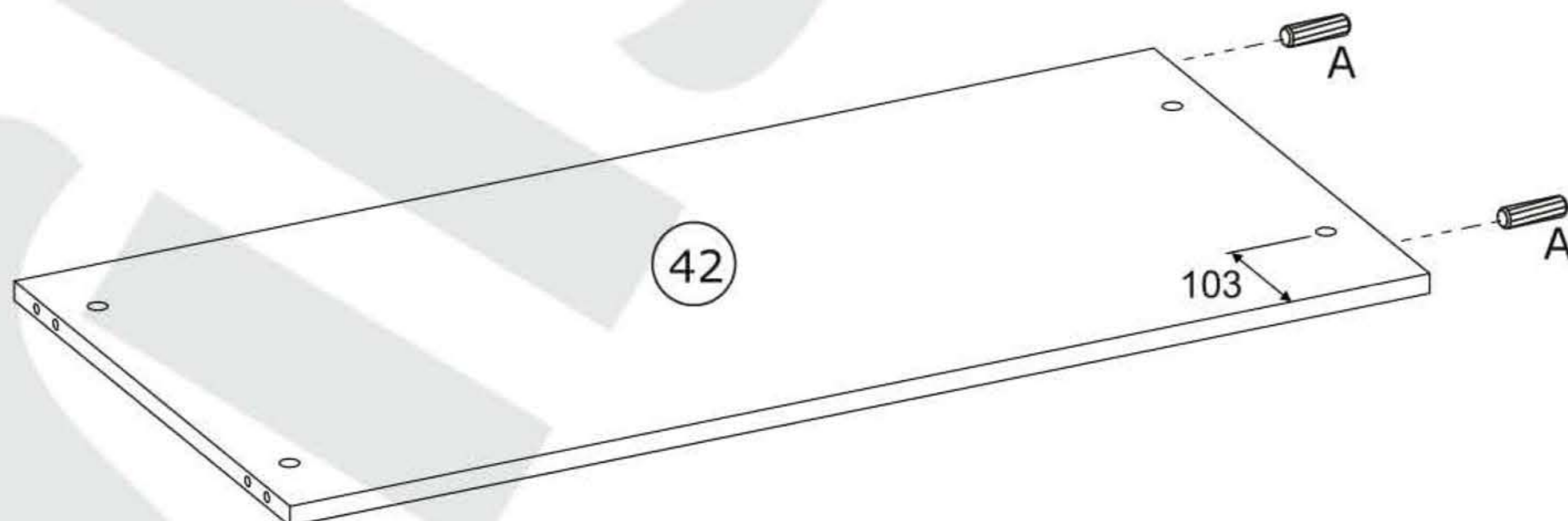
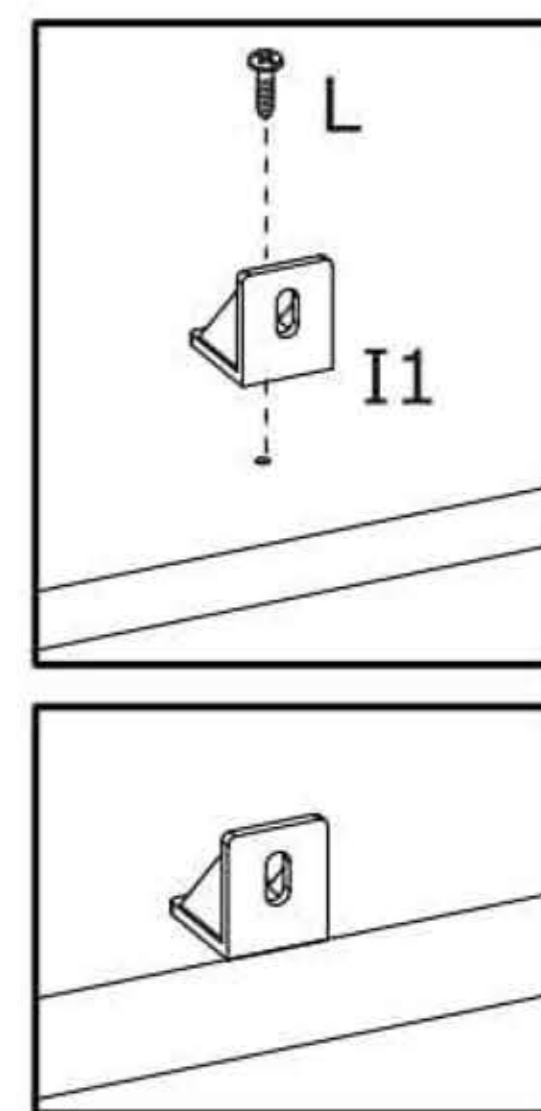
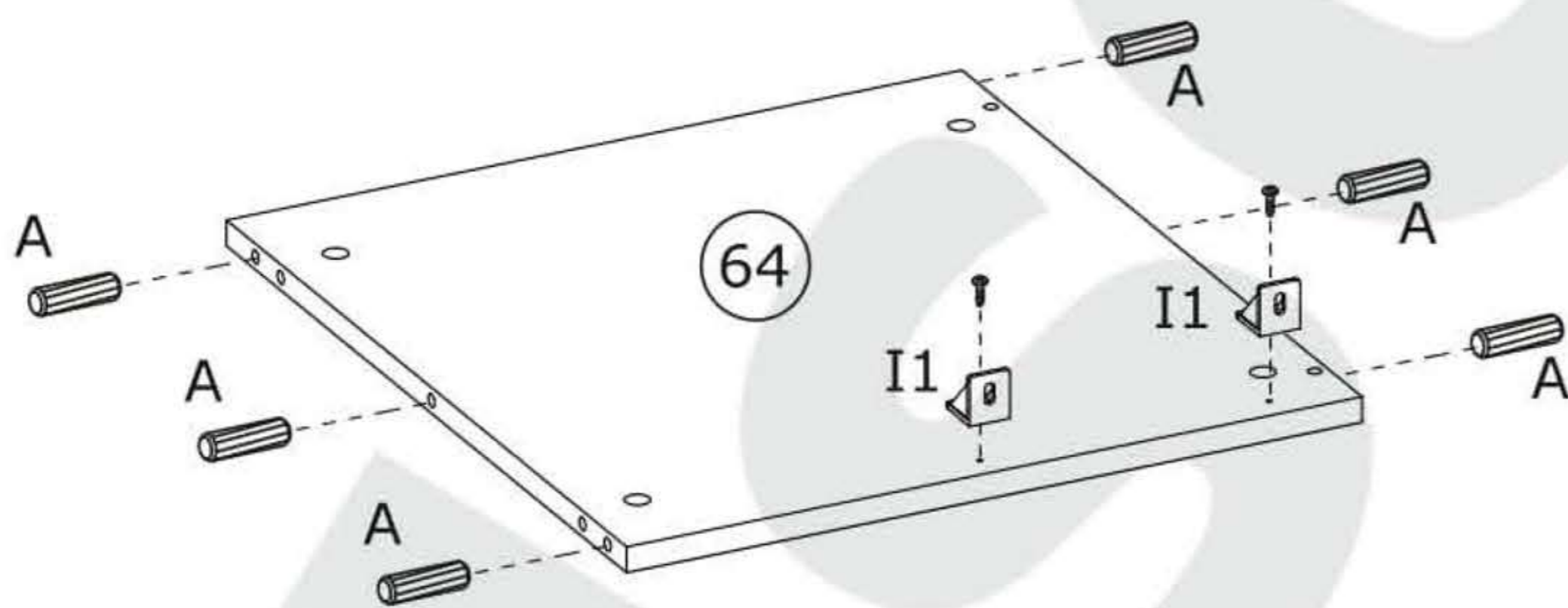
5

A x 2 Ø8x35 mm 	I1 x 1 	L x 1 4x16 mm 	
--	---	---	---

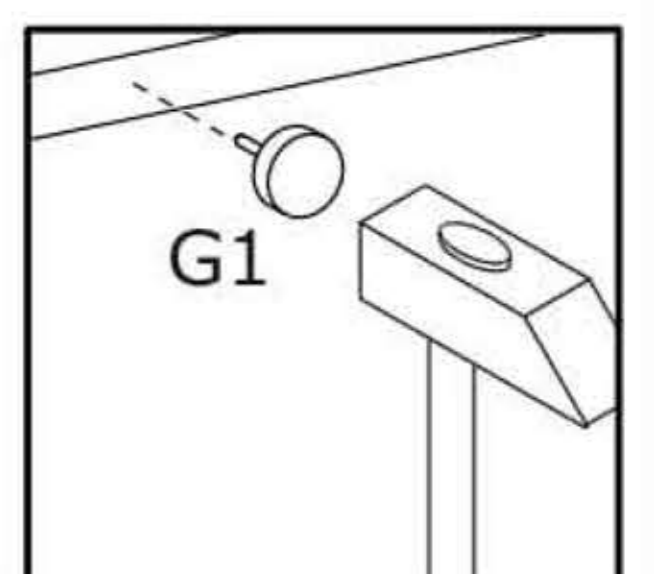
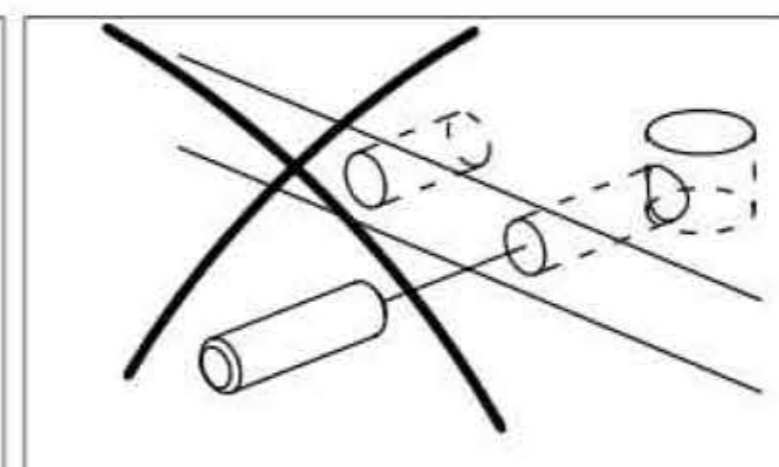
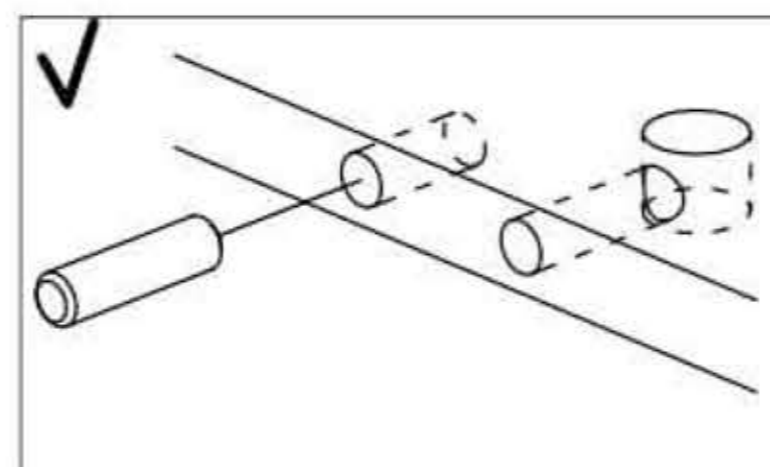
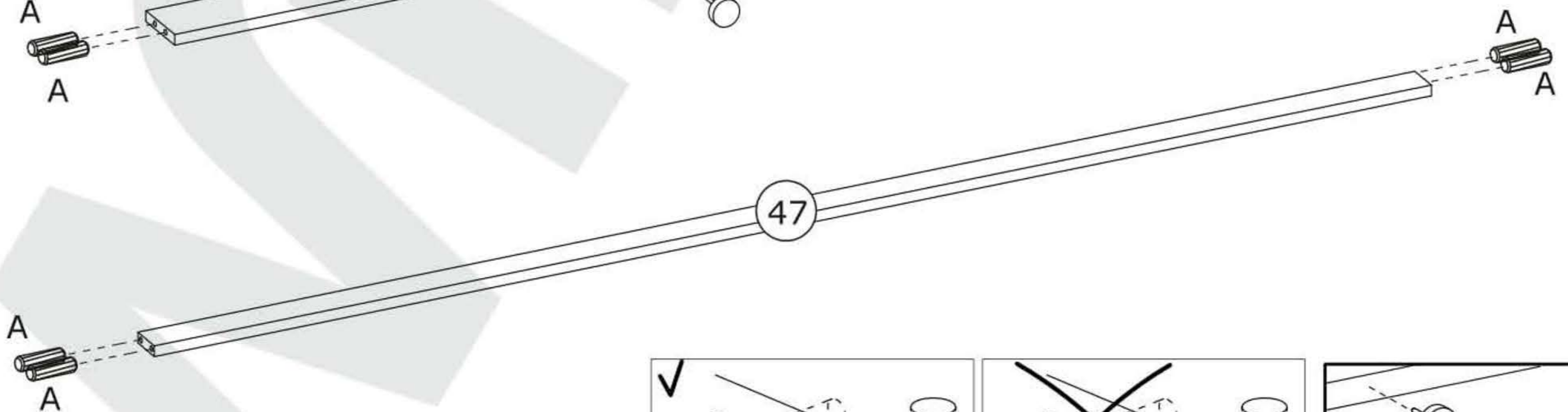
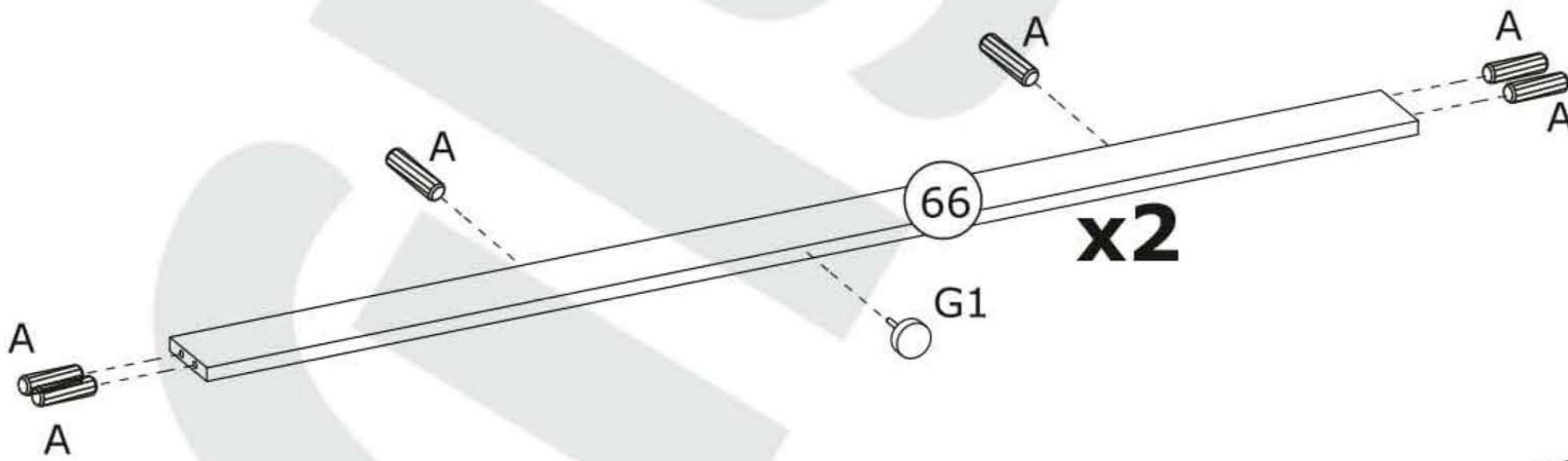
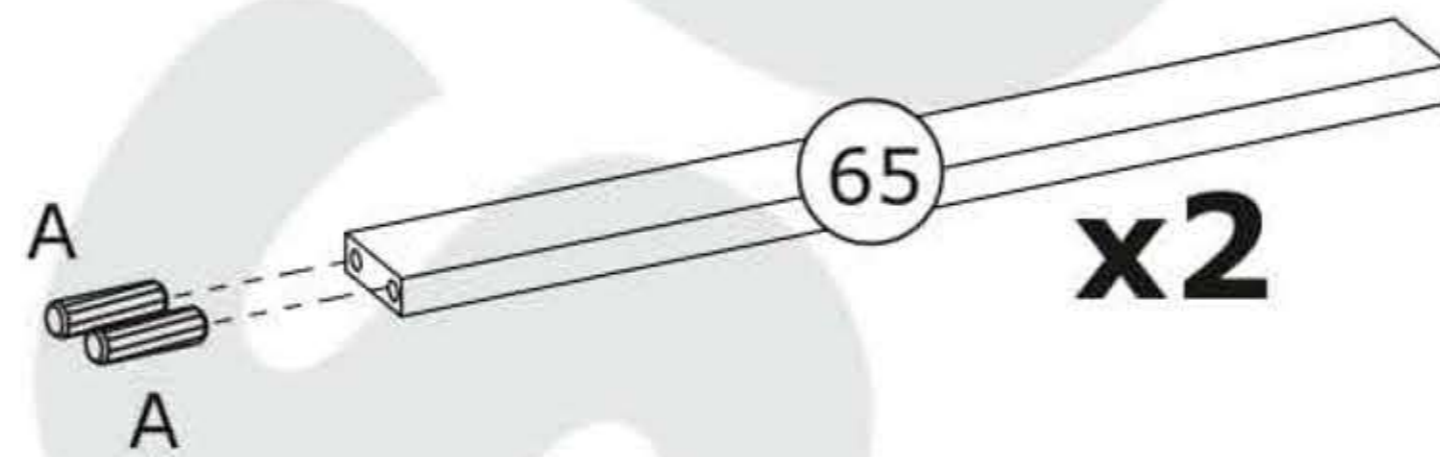
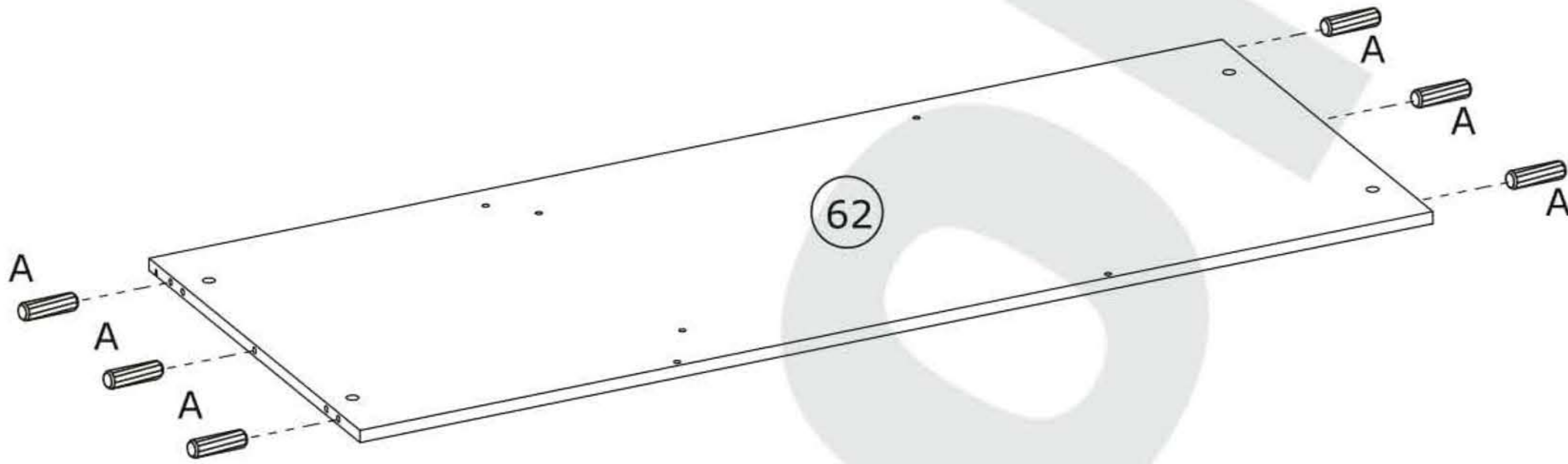
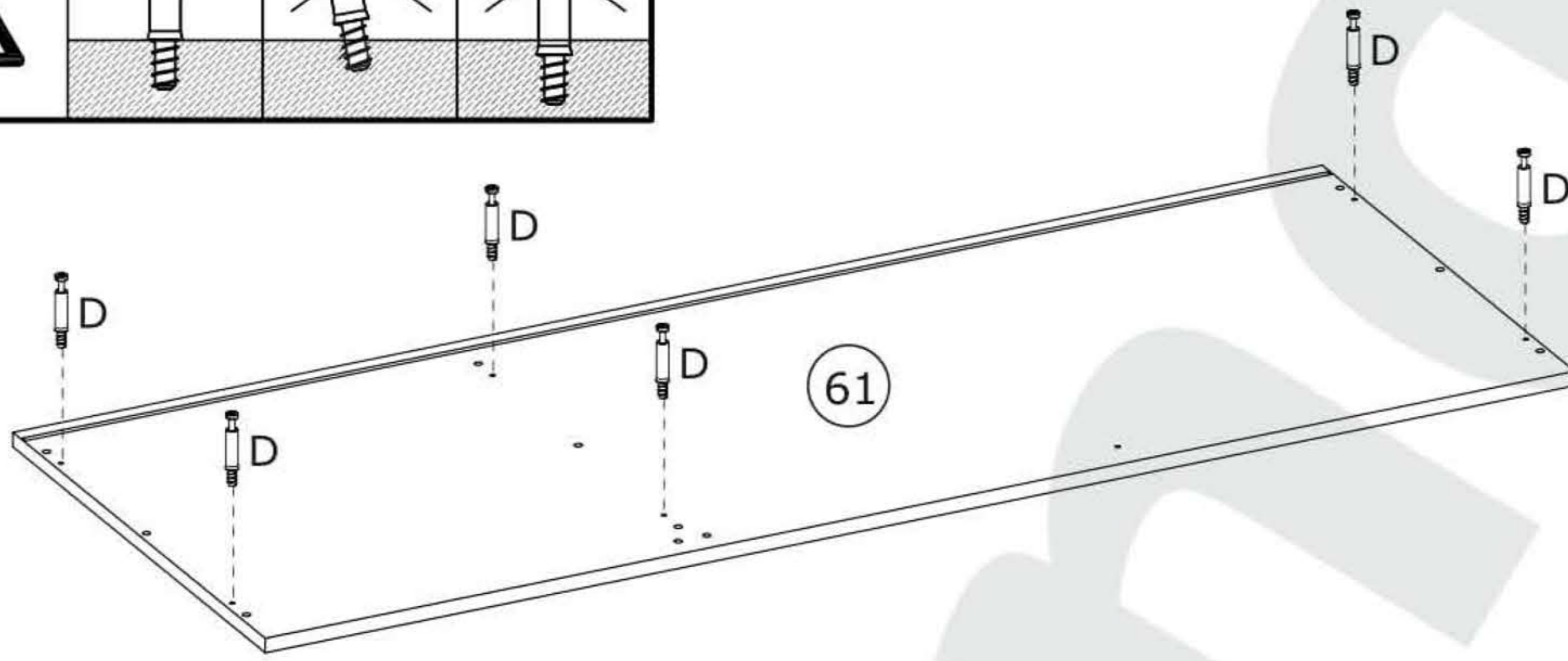
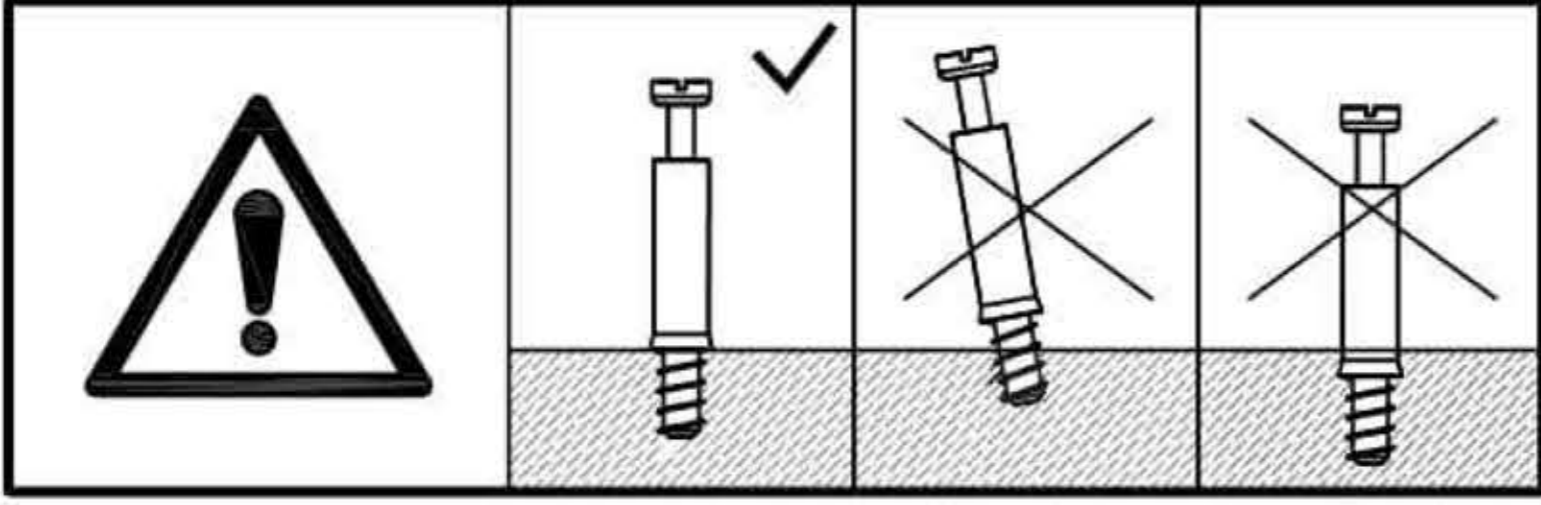
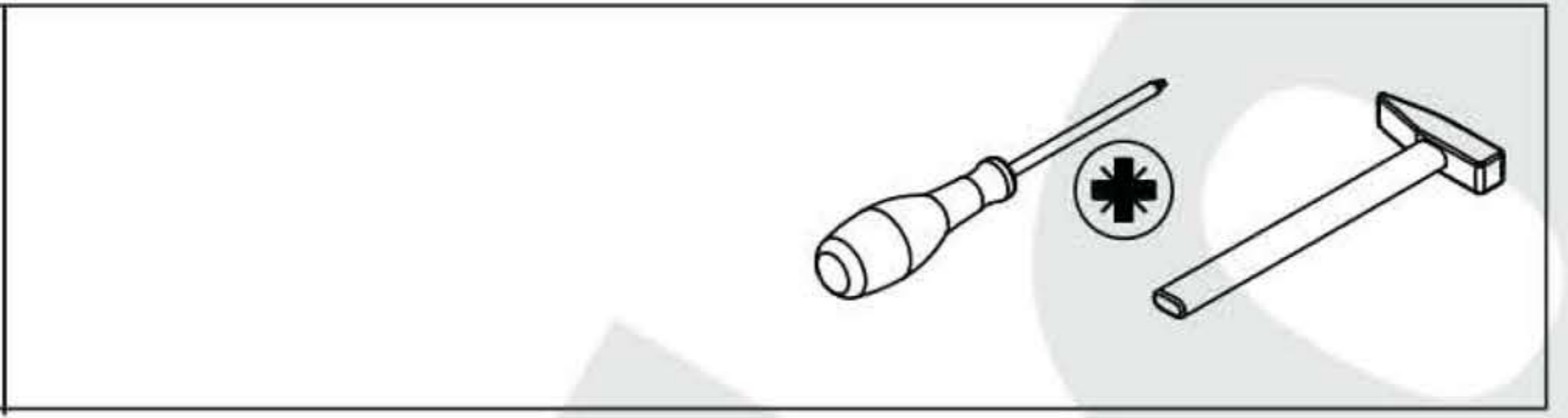
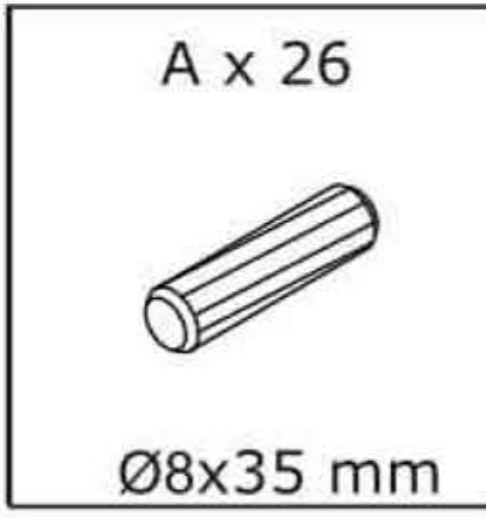


6

A x 10 Ø8x35 mm 	I1 x 2 	L x 2 4x16 mm 	
---	---	---	---



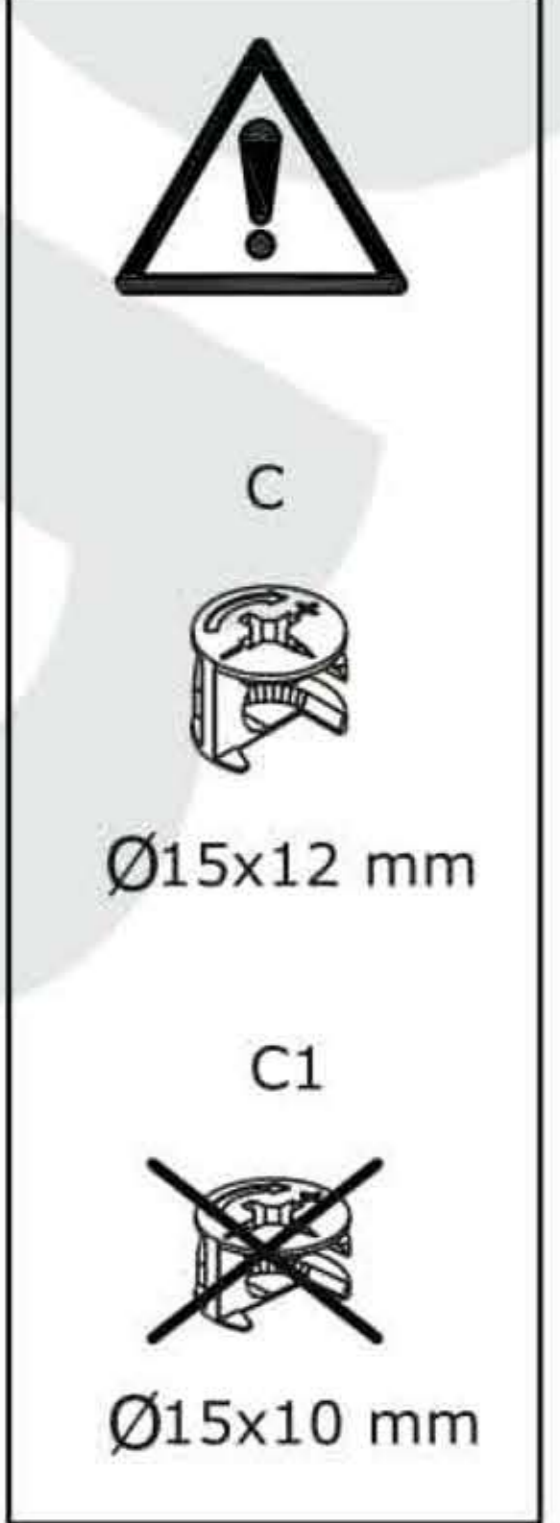
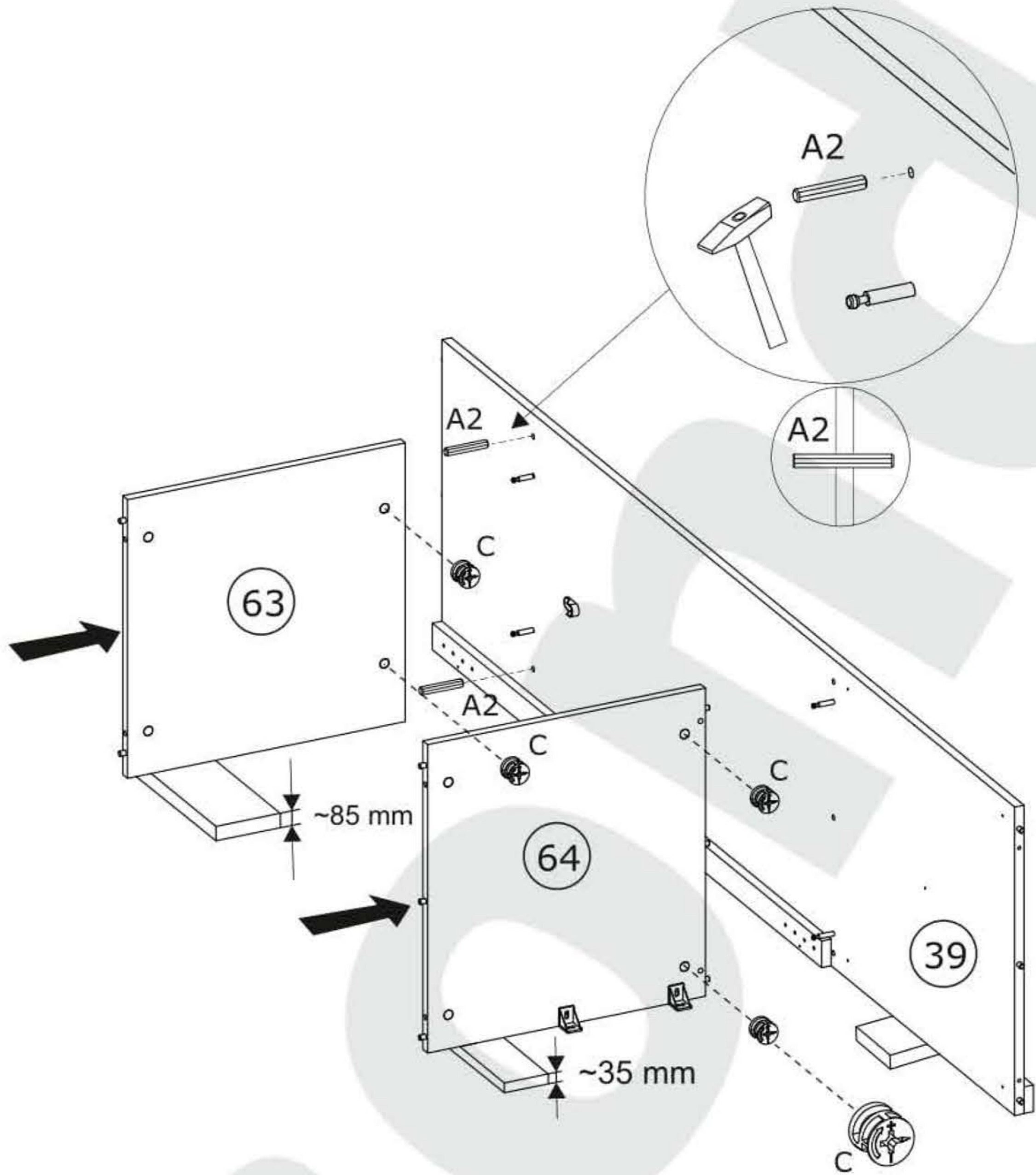
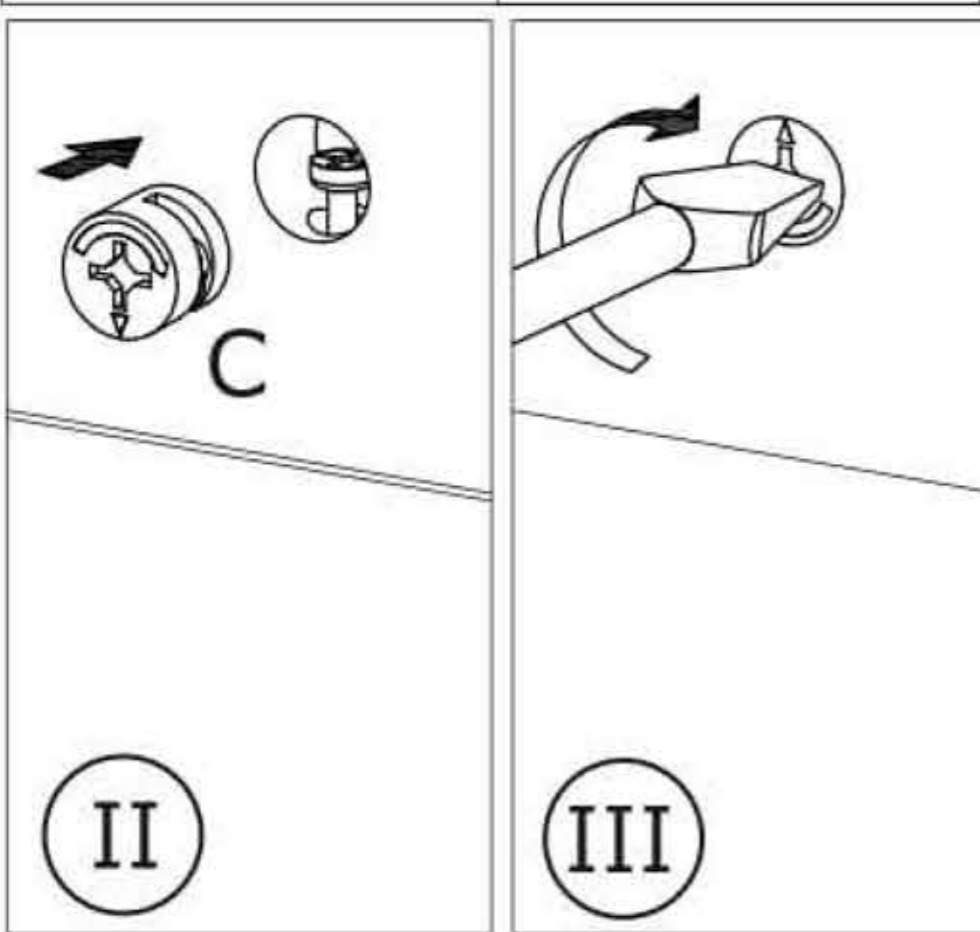
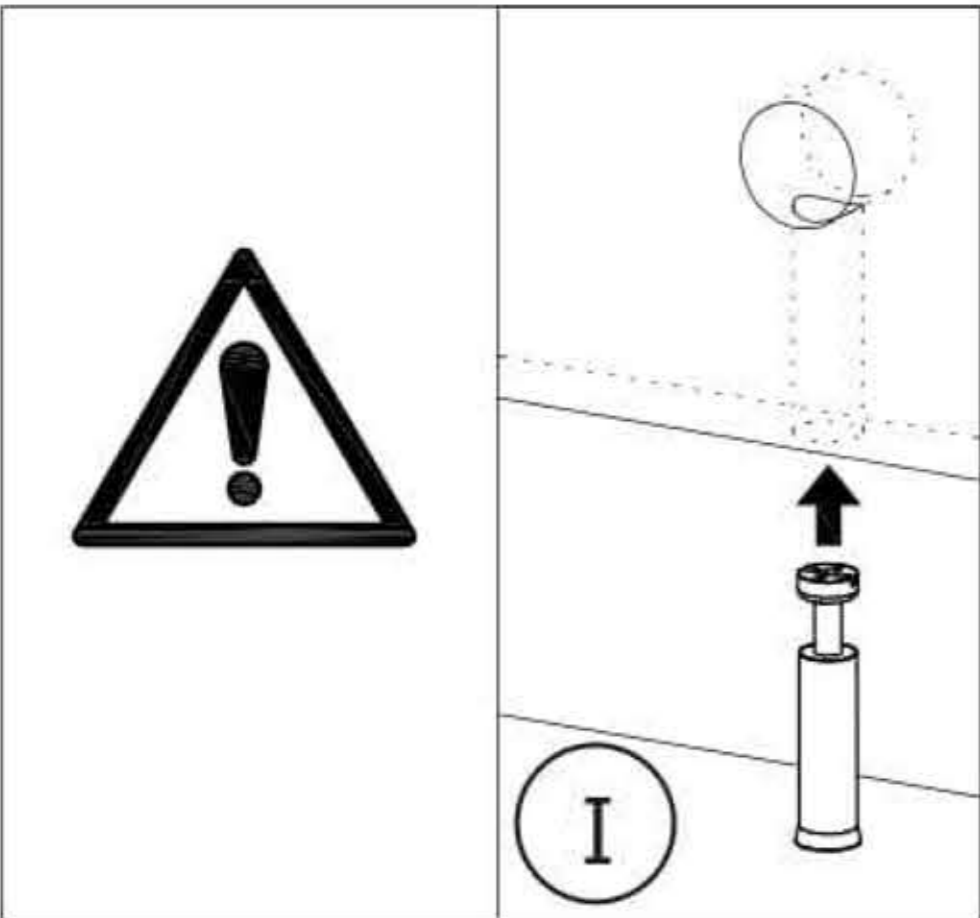
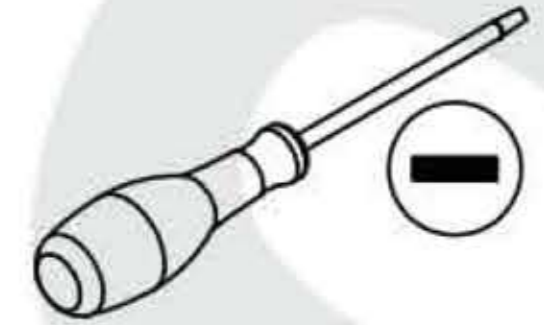
7



8

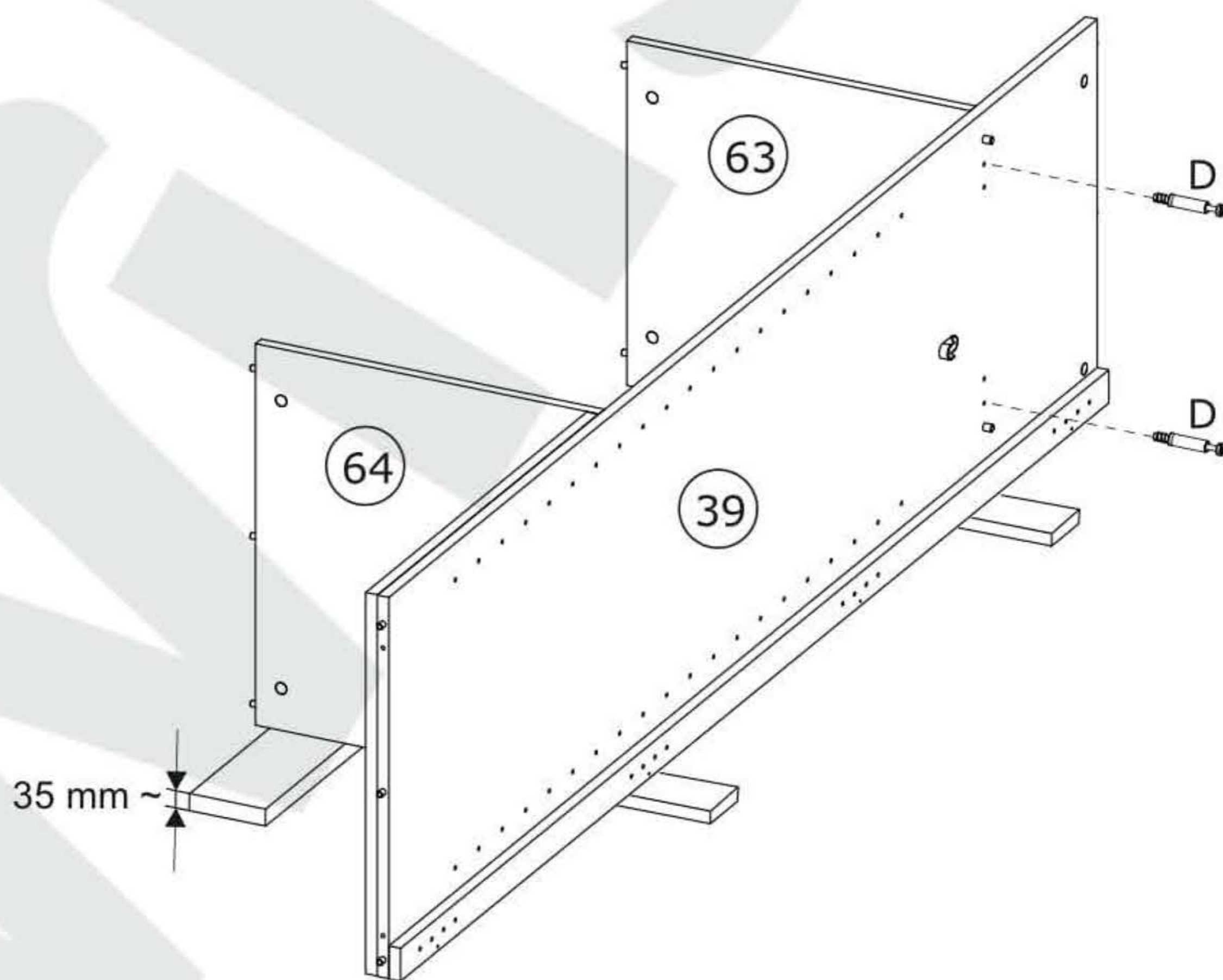
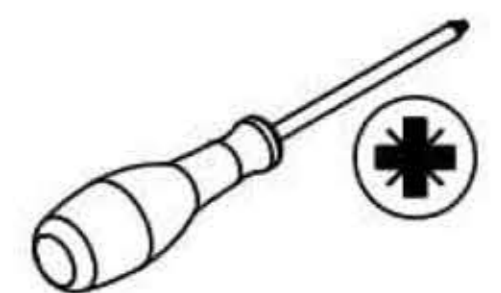
A2 x 2
Ø8x60 mm

C x 4
Ø15x12 mm



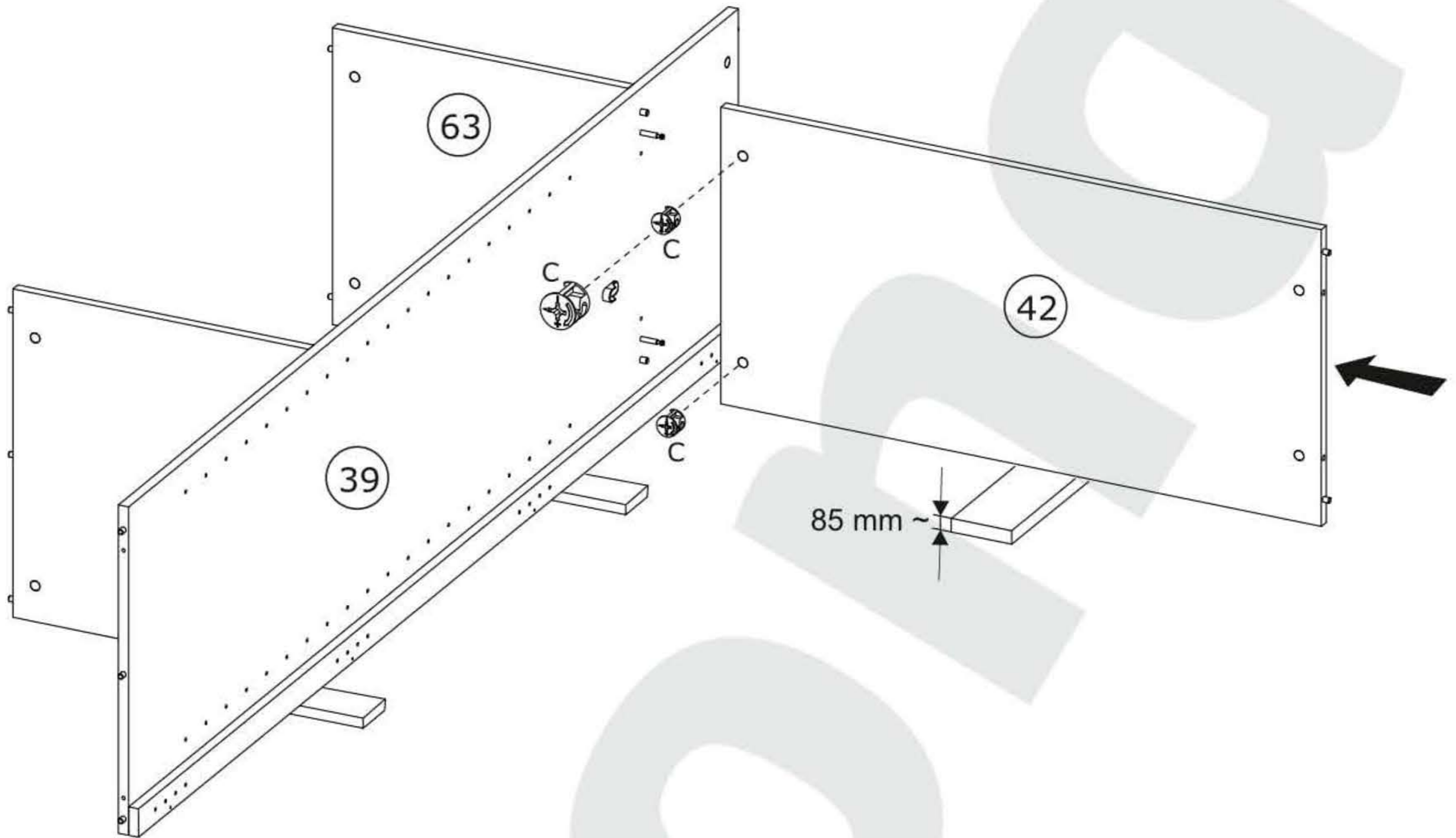
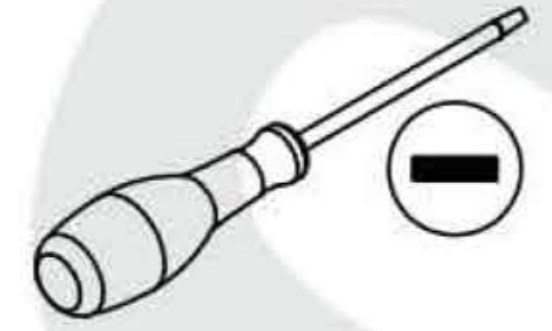
9

D x 2
Ø5x44 mm

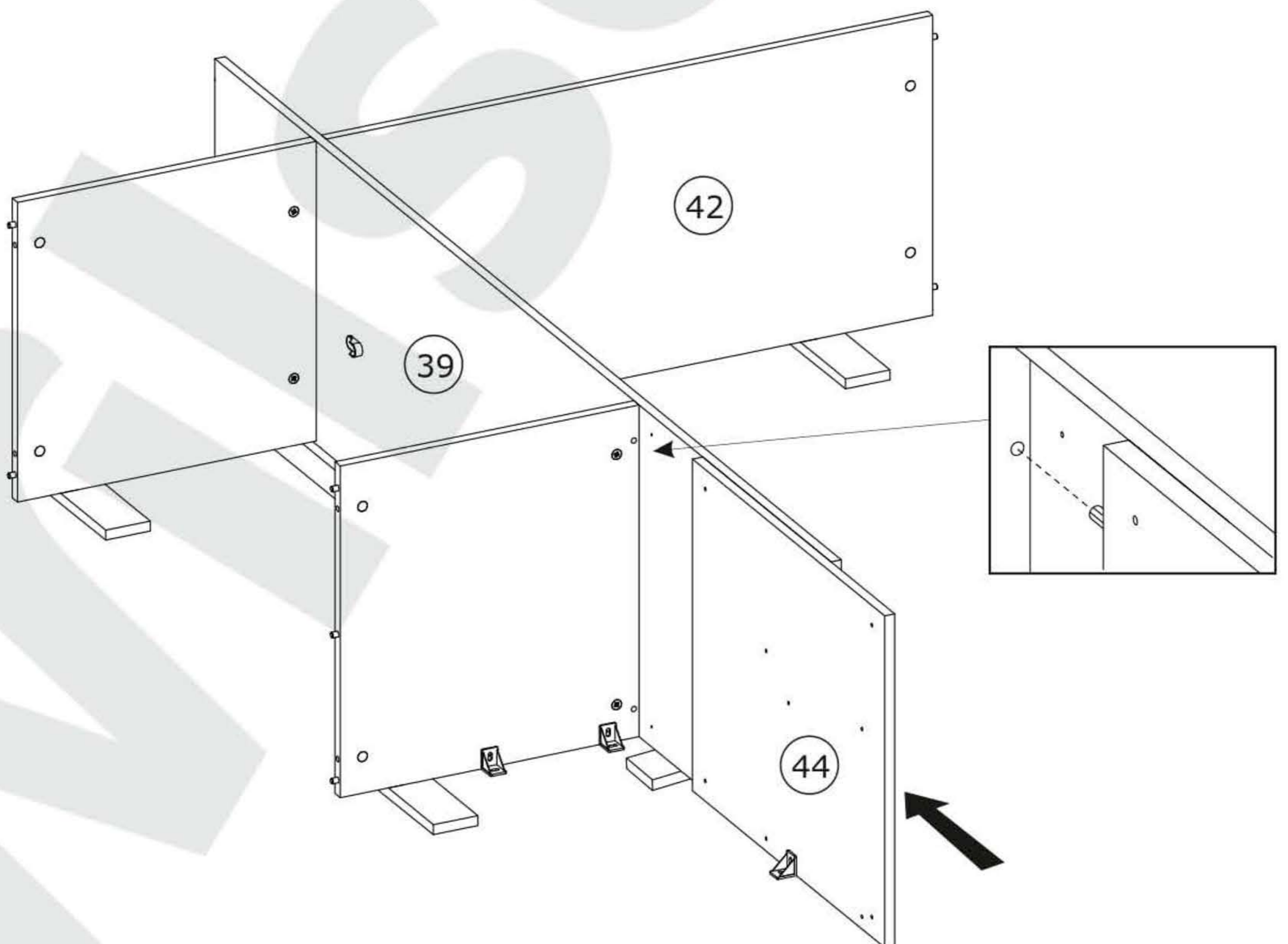


10

C x 2
Ø15x12 mm

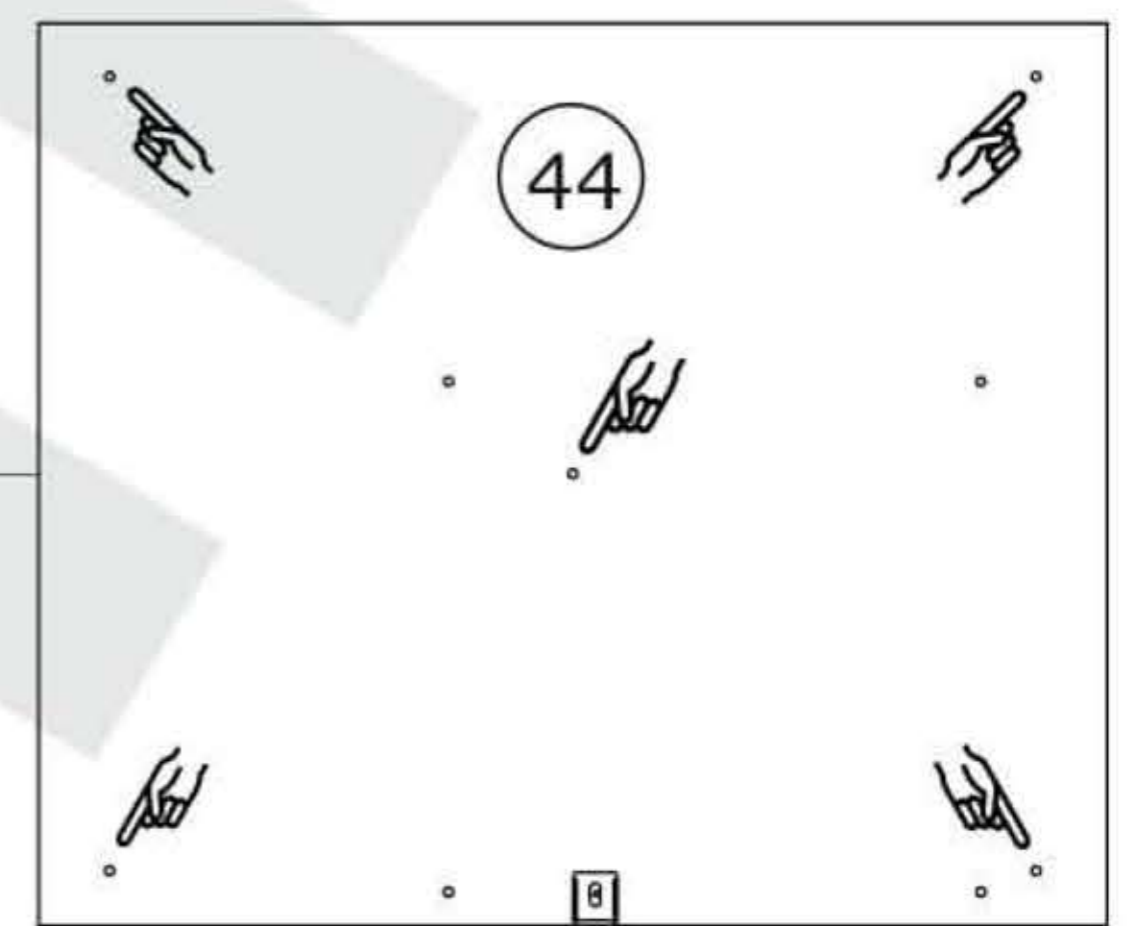
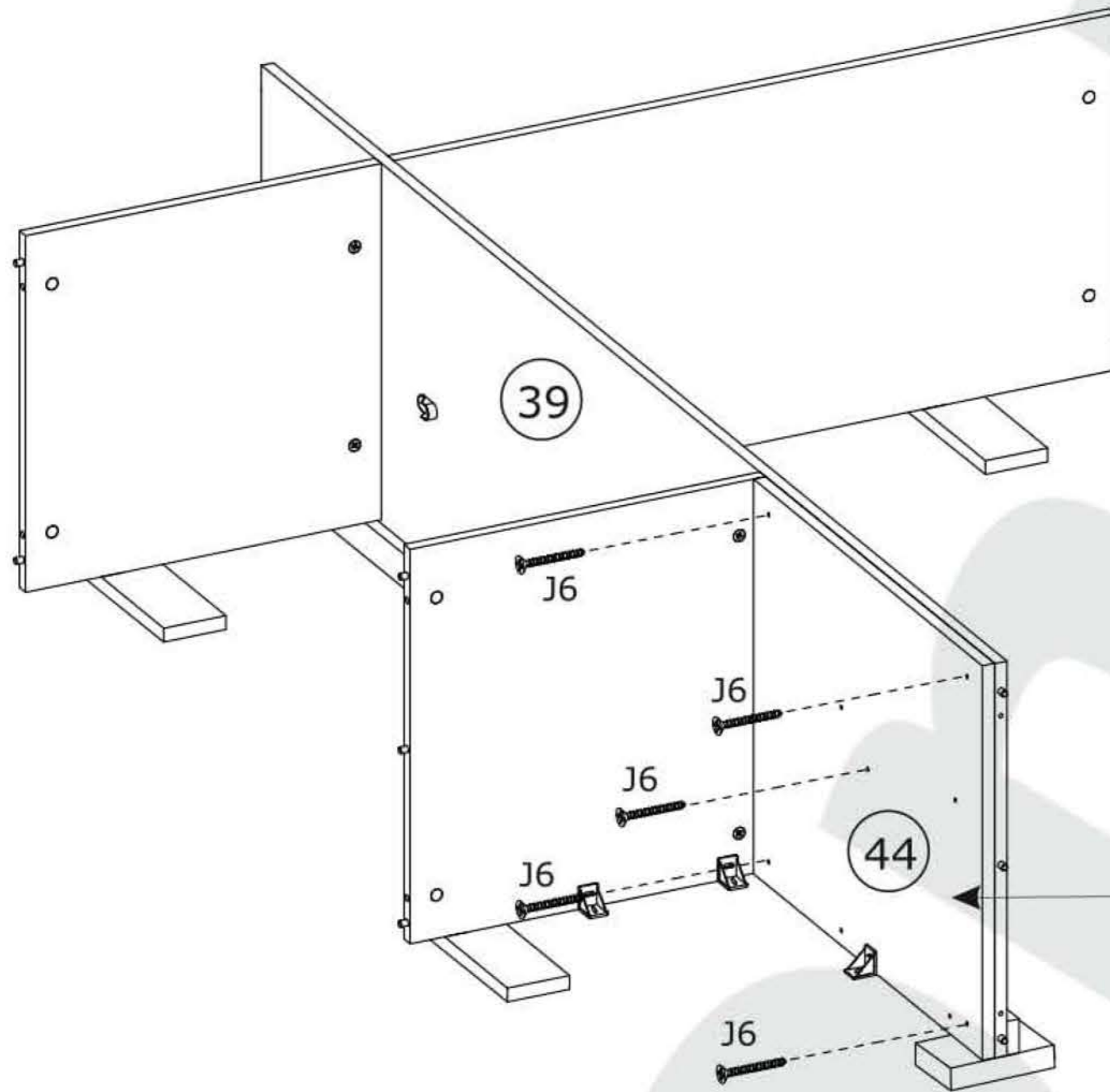
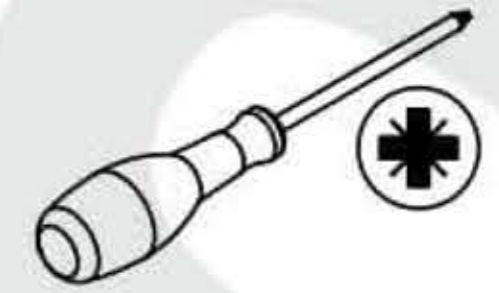


11



12

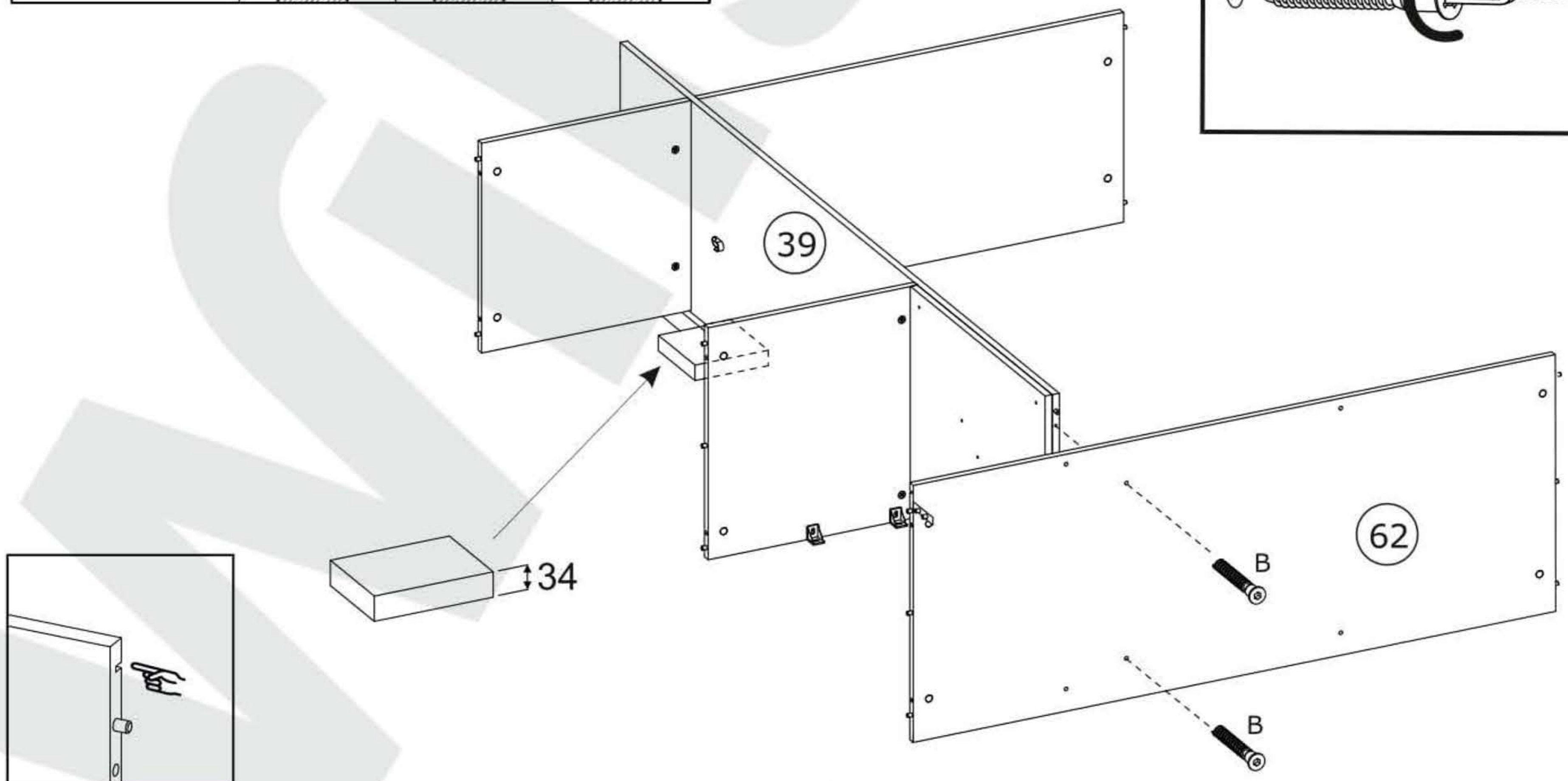
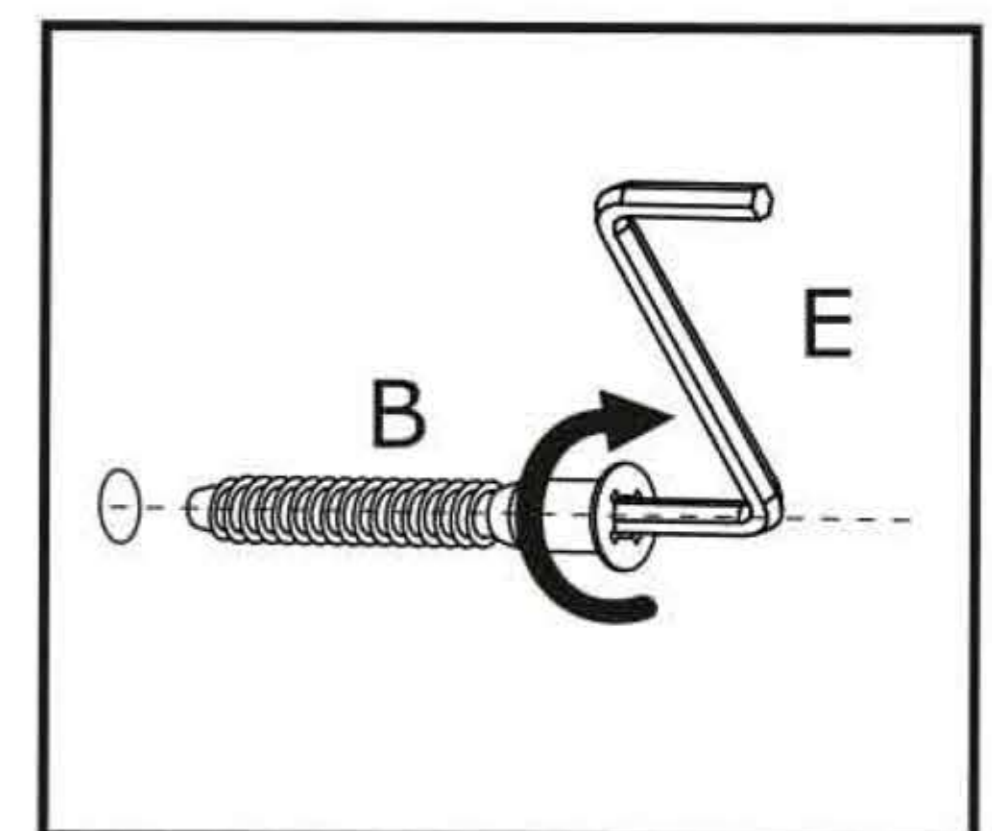
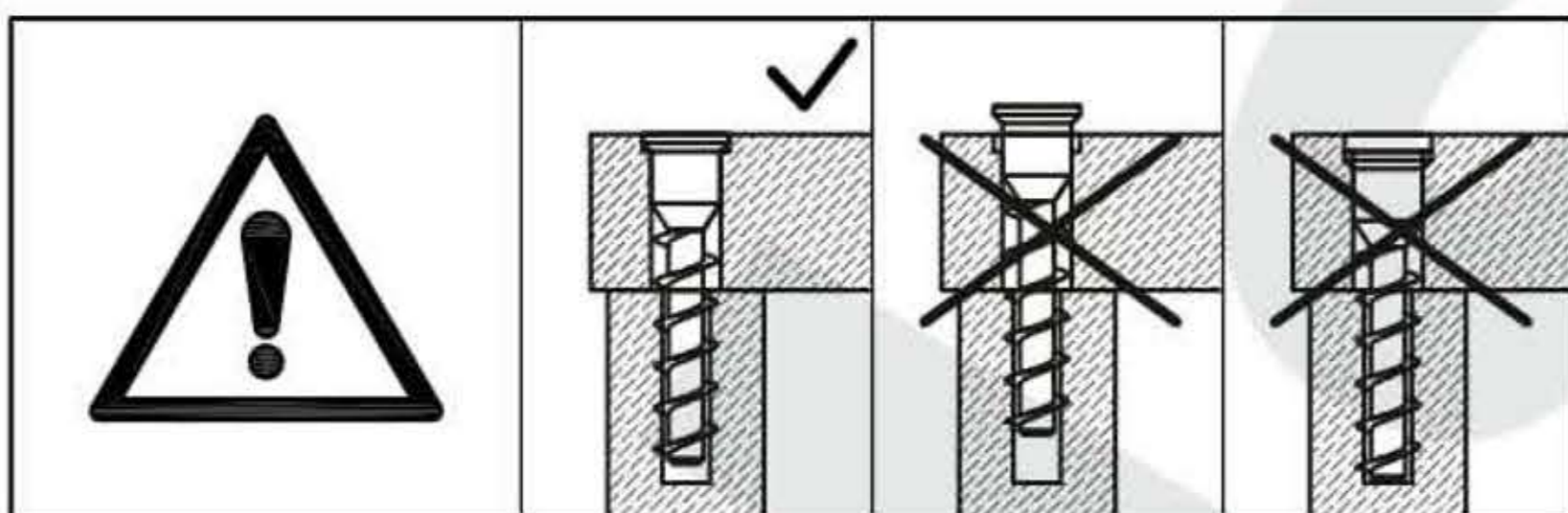
J6 x 5
4x30 mm



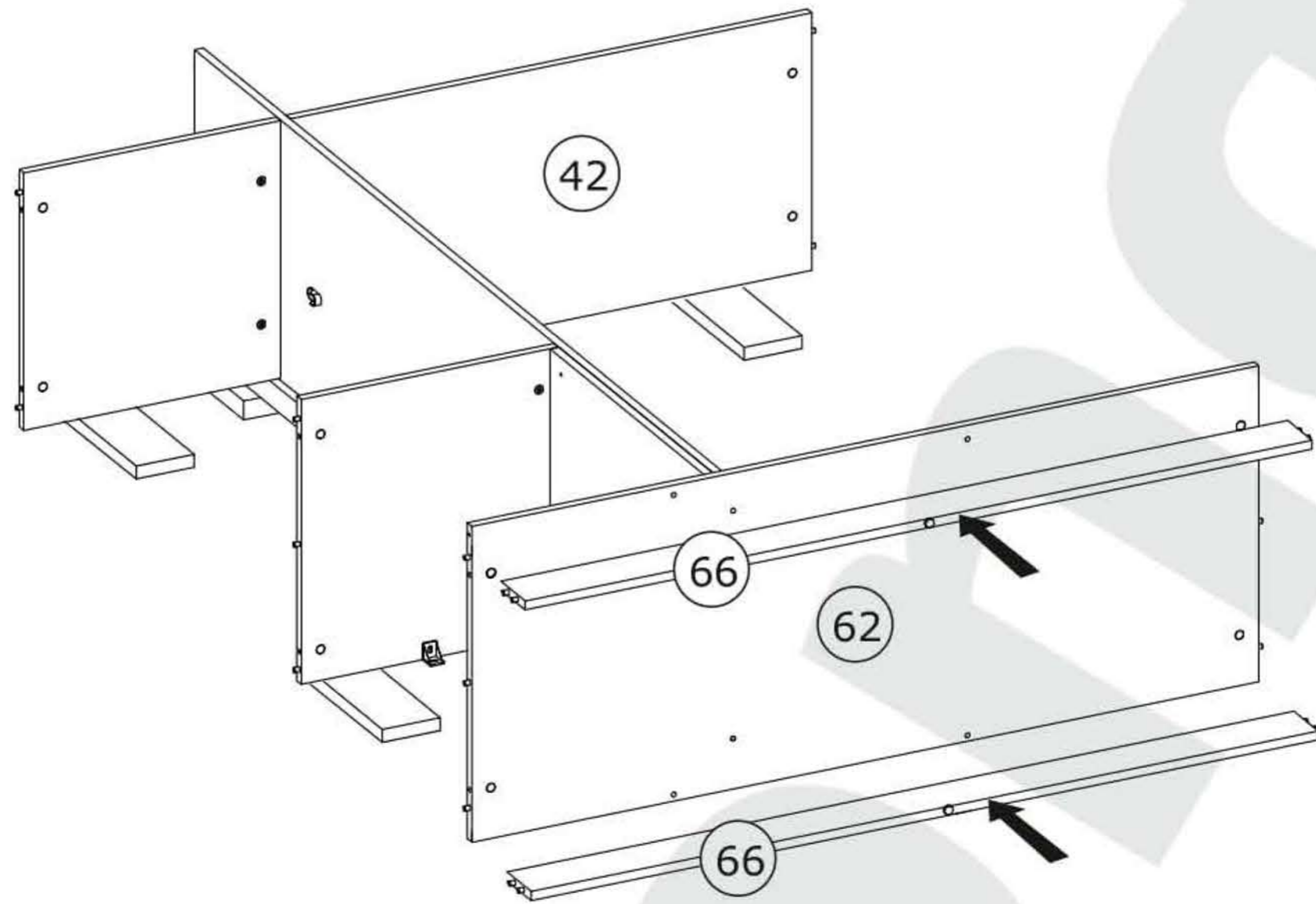
13

B x 2
Ø7x50 mm

E x 1
4 mm

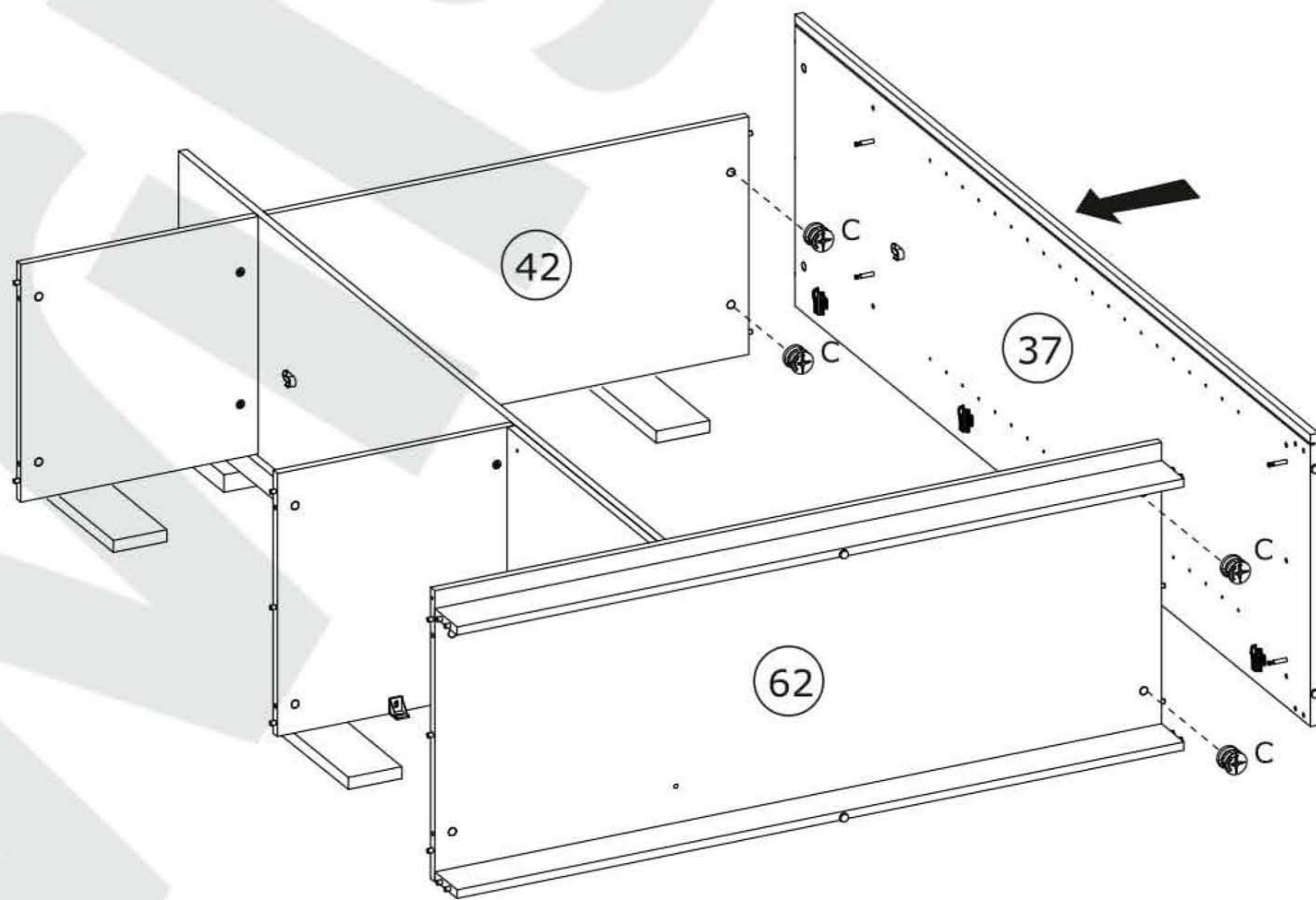


14



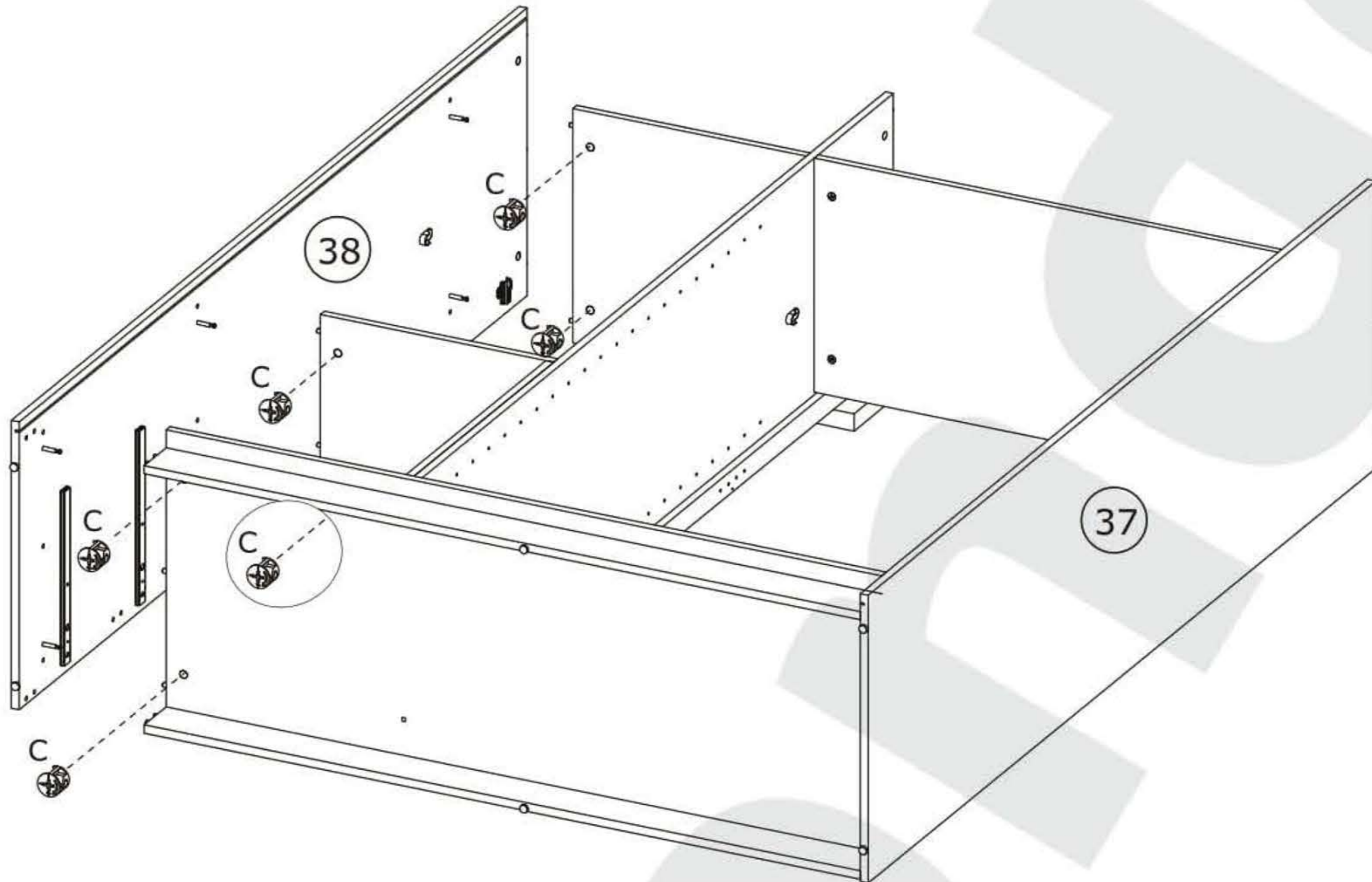
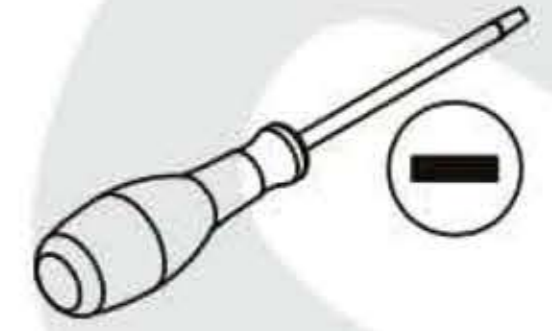
15

<p>C x 4</p>  <p>Ø15x12 mm</p>	
---	---



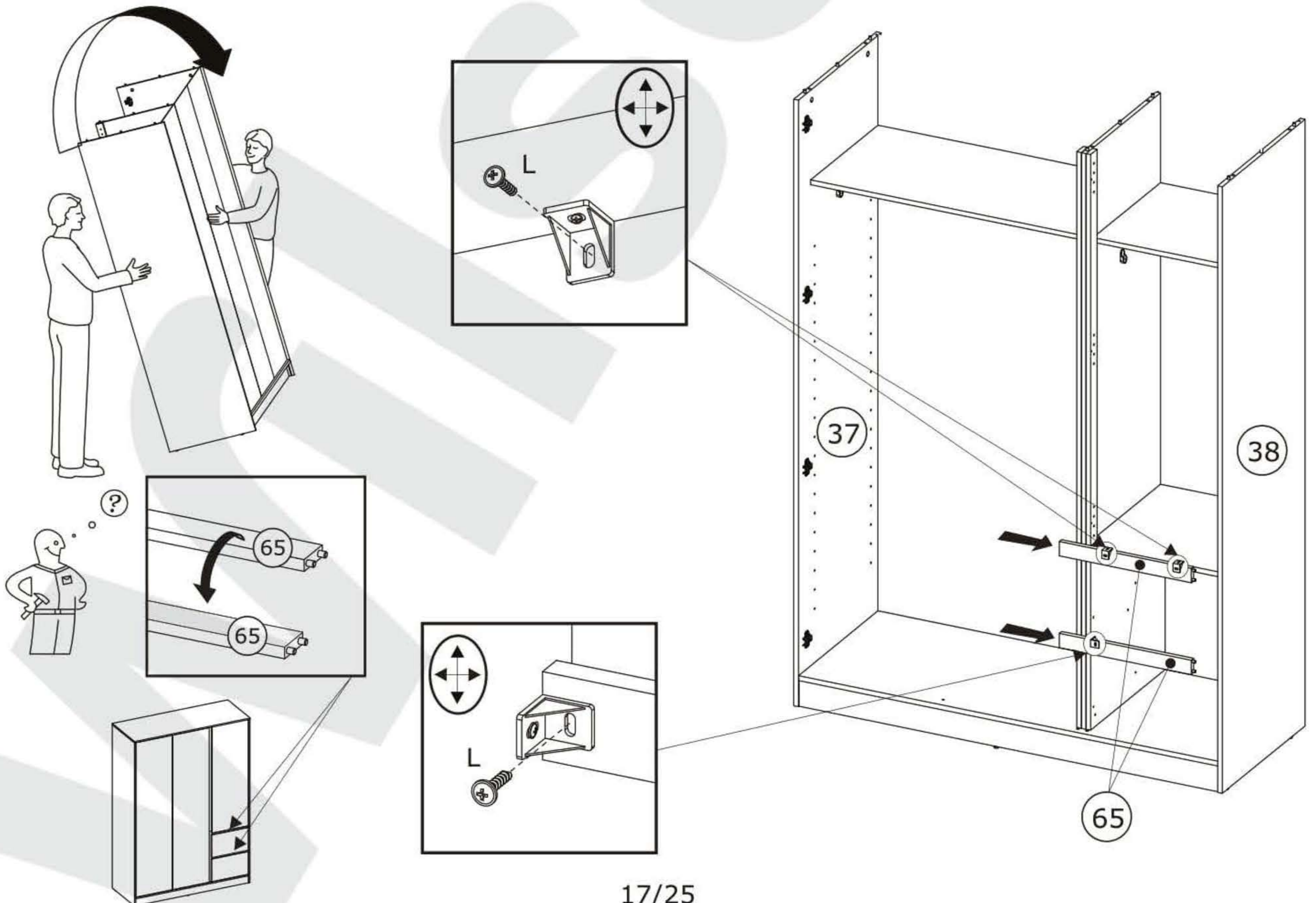
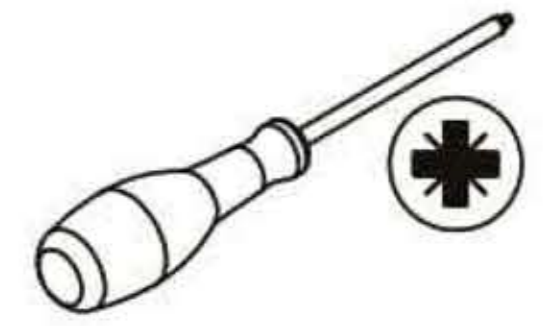
16

C x 6
Ø15x12 mm

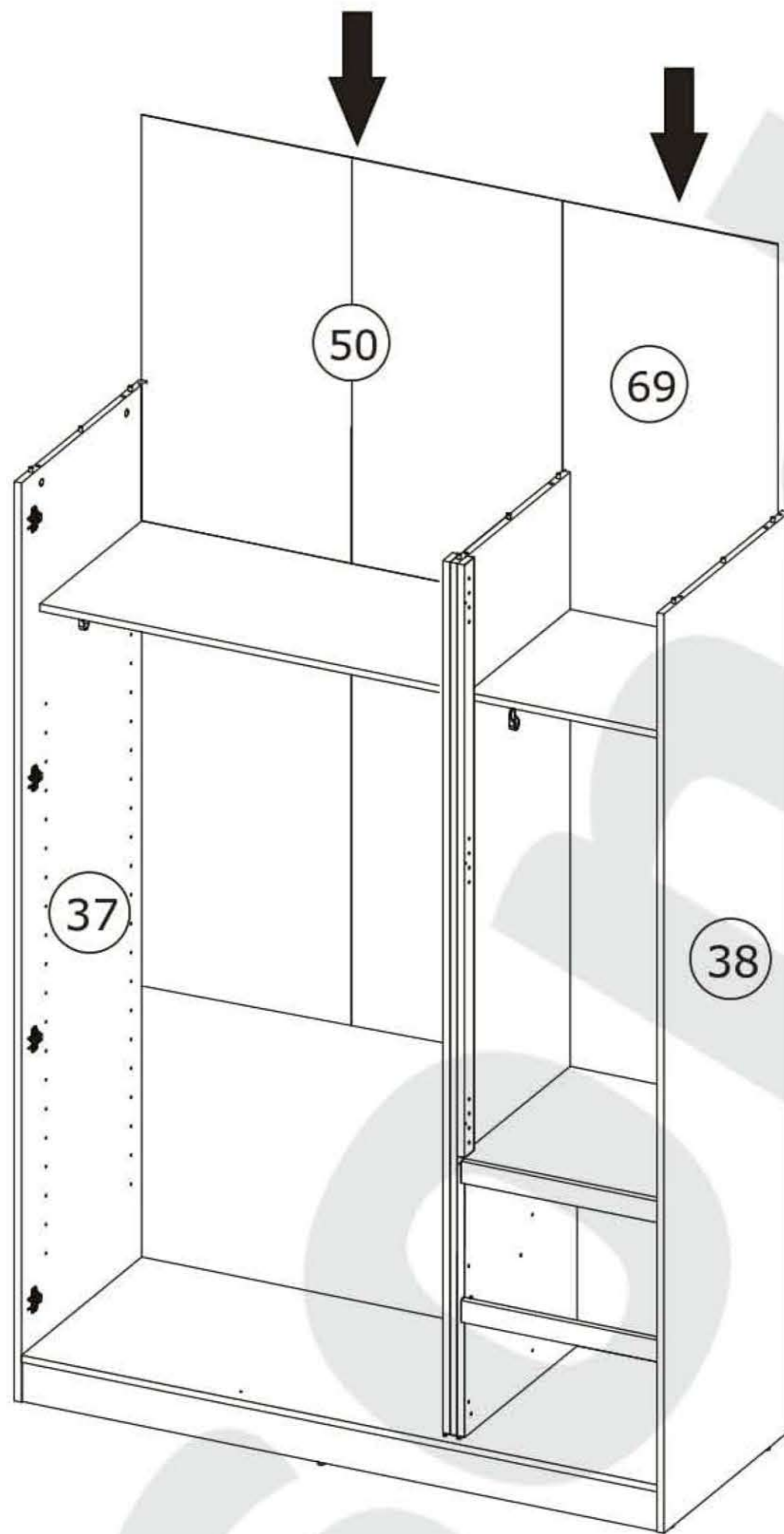


17

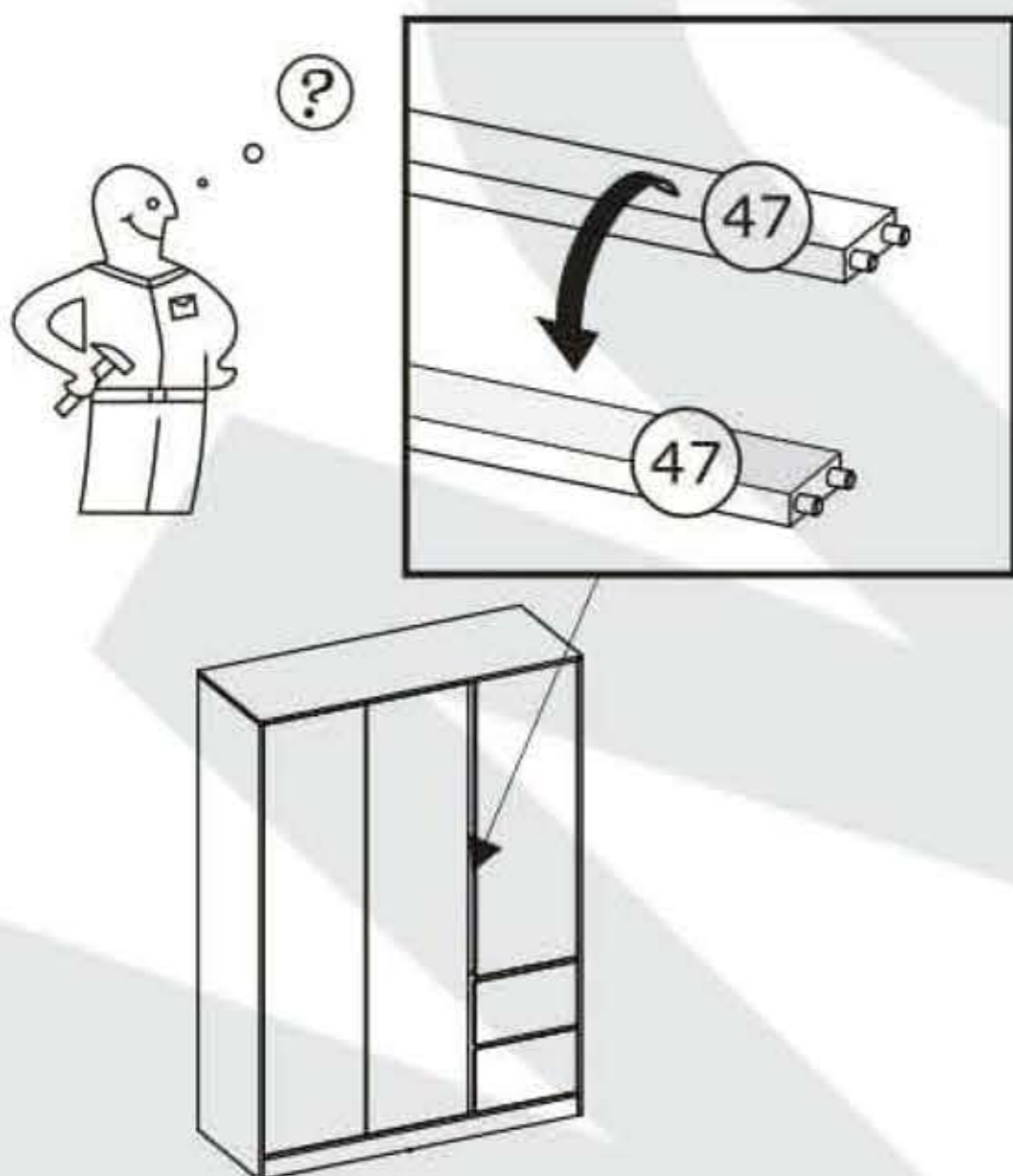
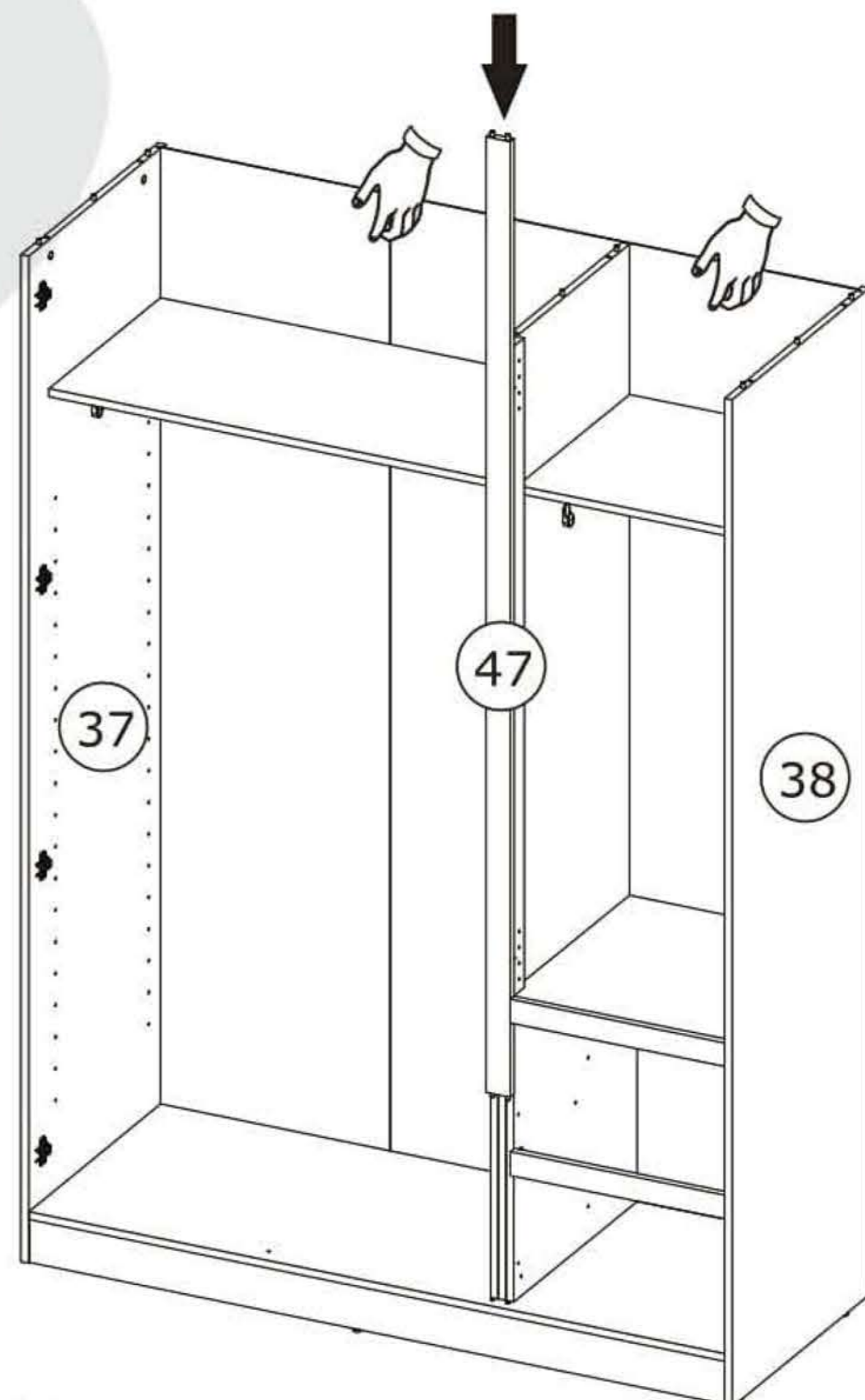
L x 3
4x16 mm






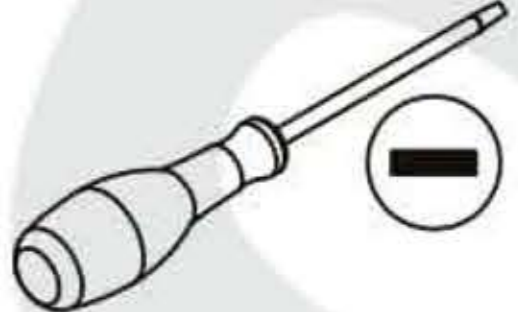
18

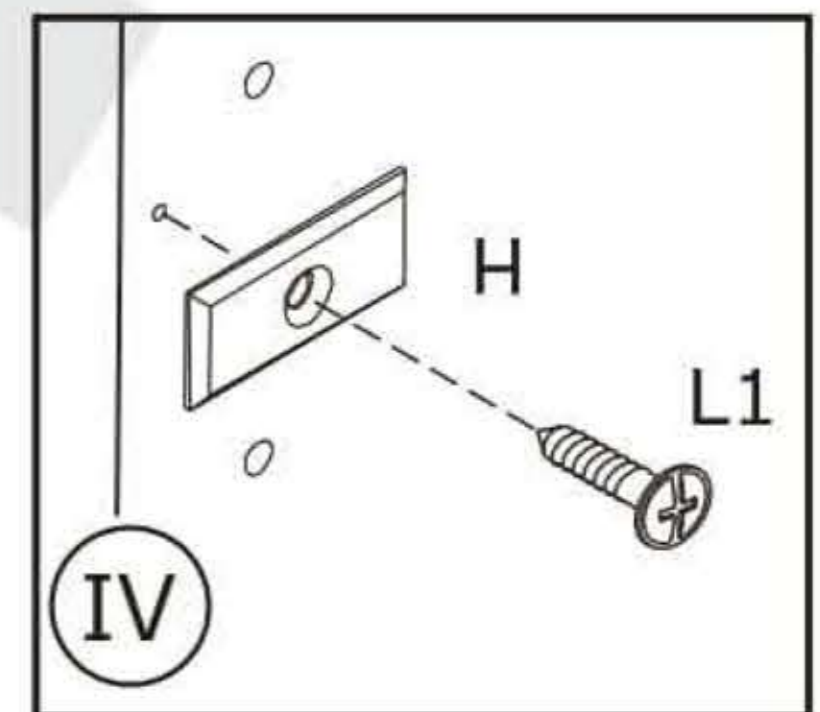
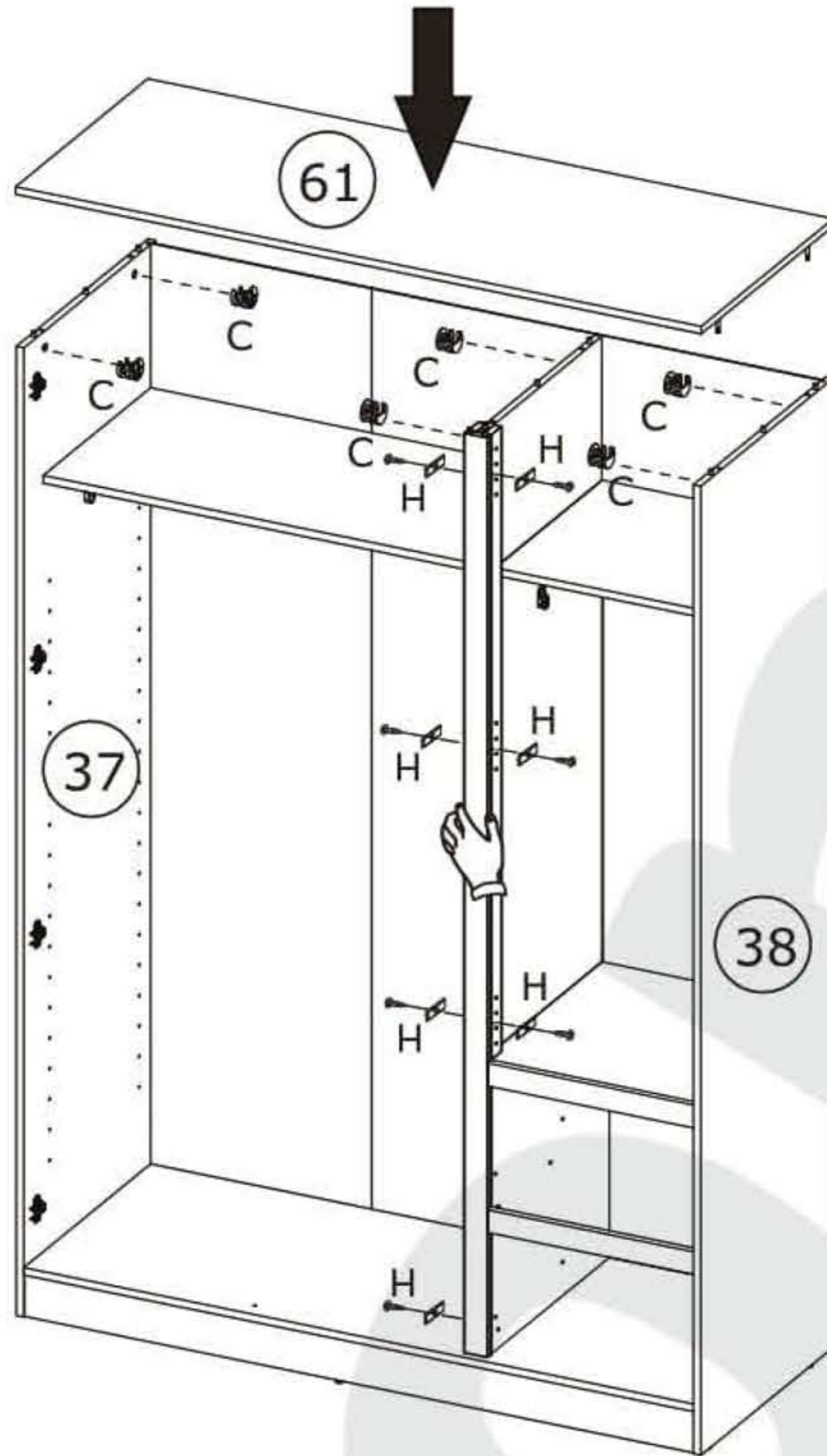
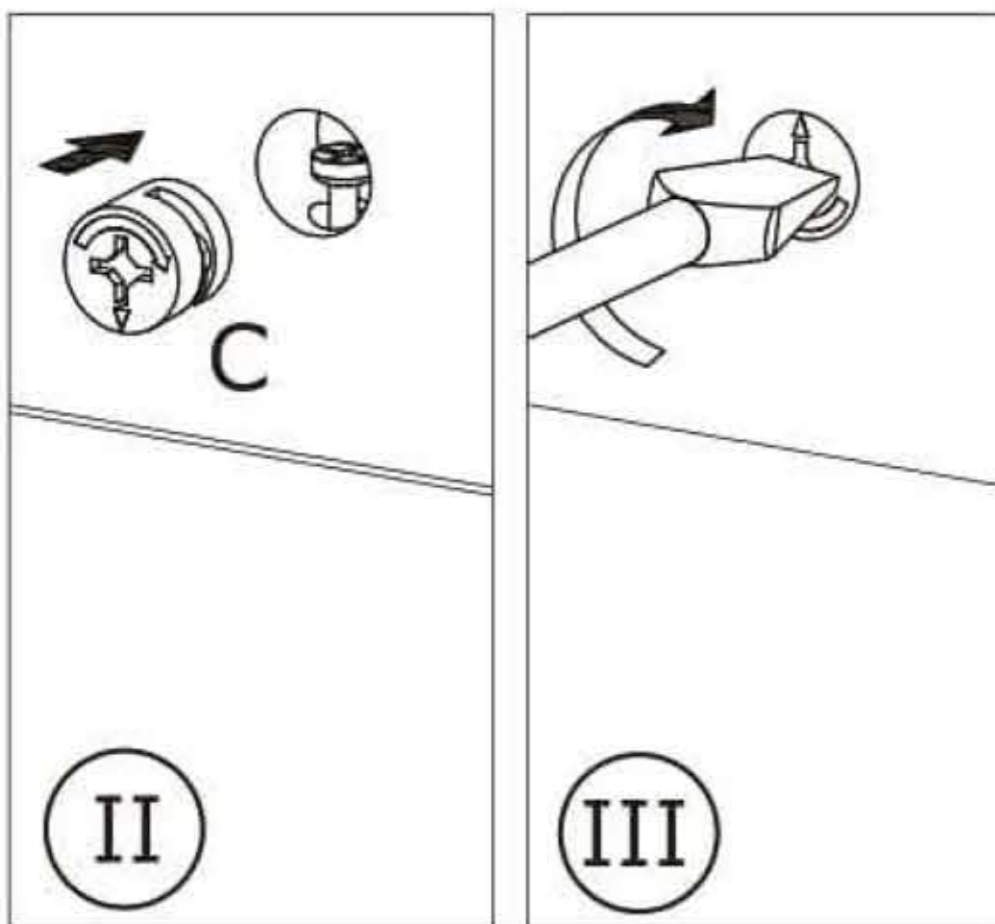
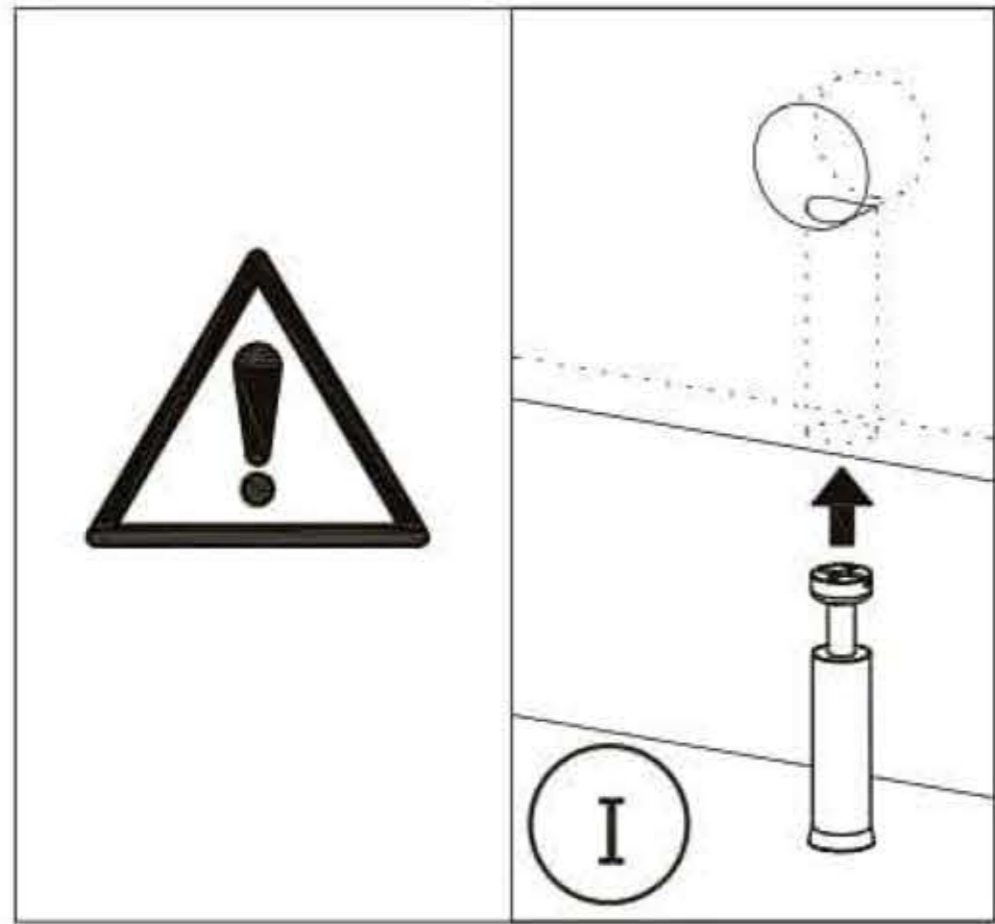


19


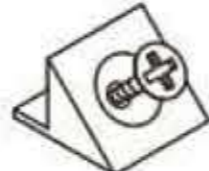

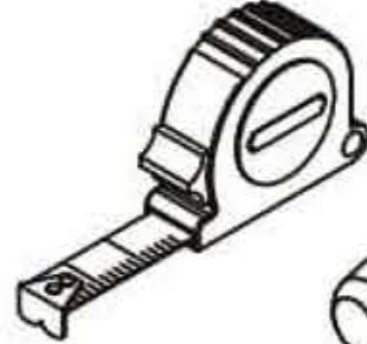
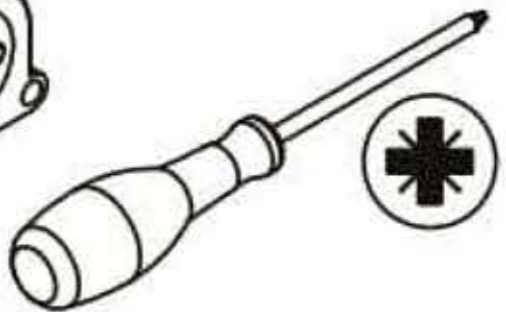


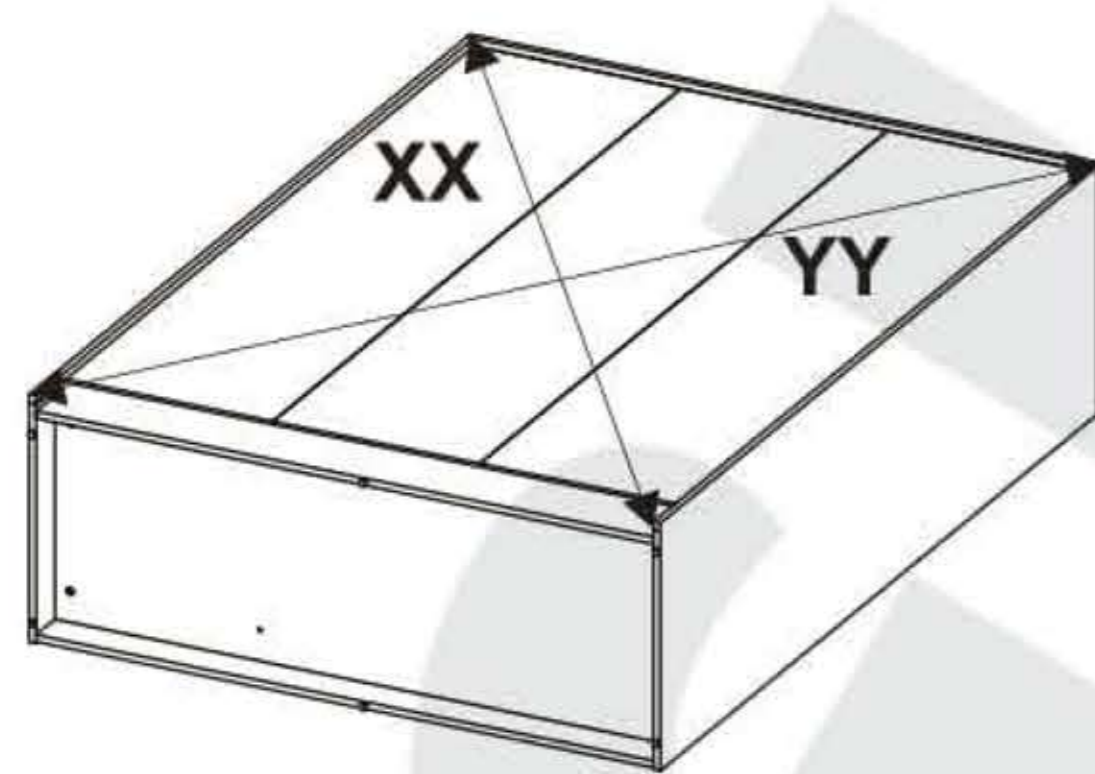
20


C x 6 Ø15x12 mm 	H x 7 22x9x2 mm 	L1 x 7 Ø3x20 mm 	
---	---	---	---

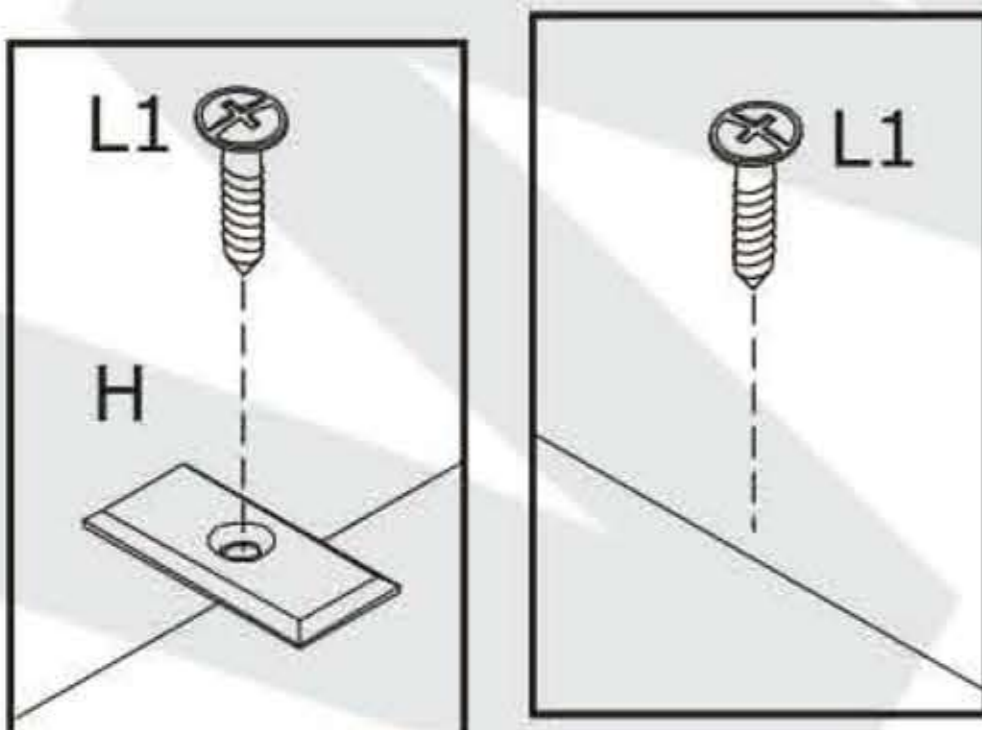
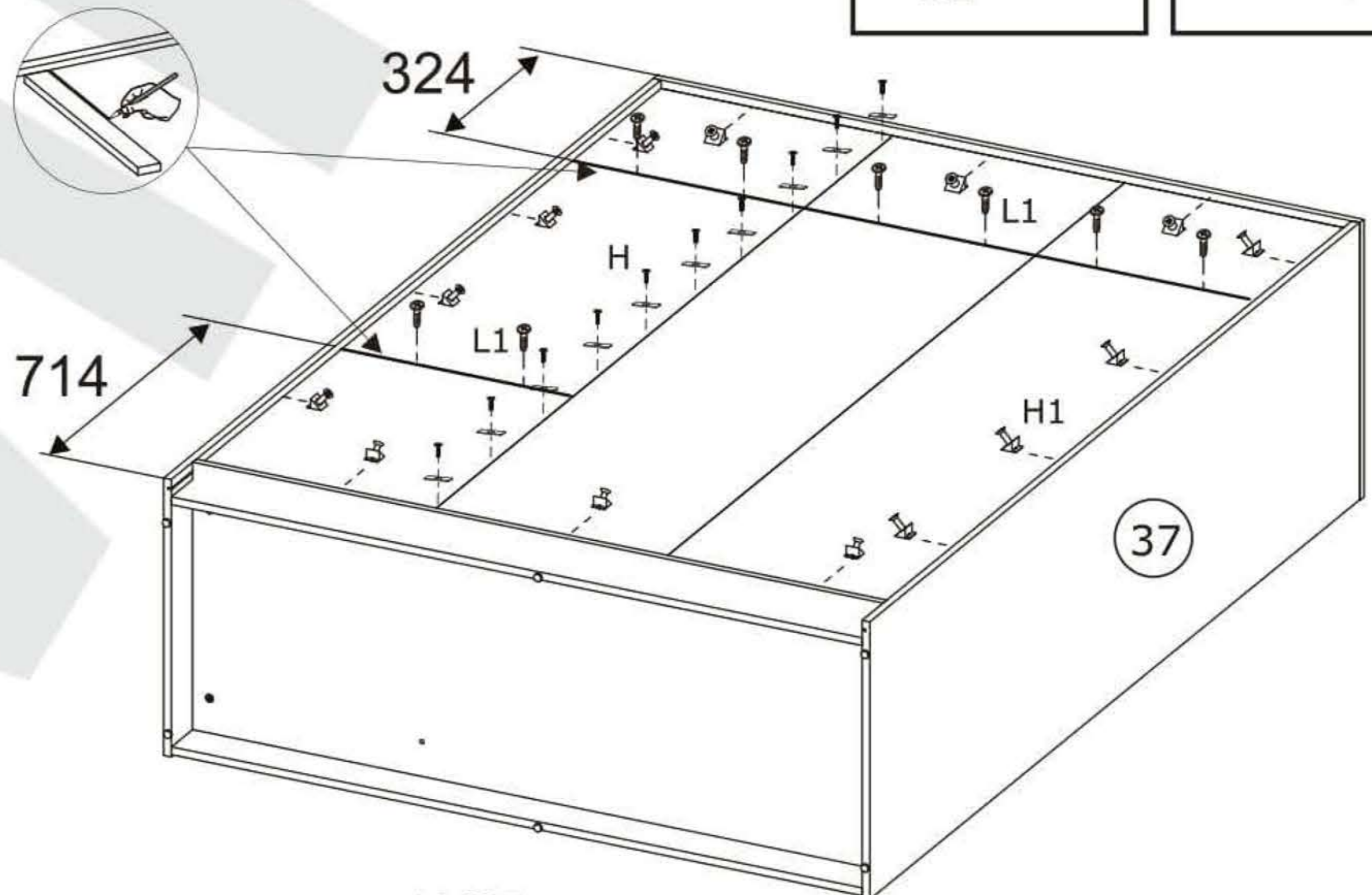
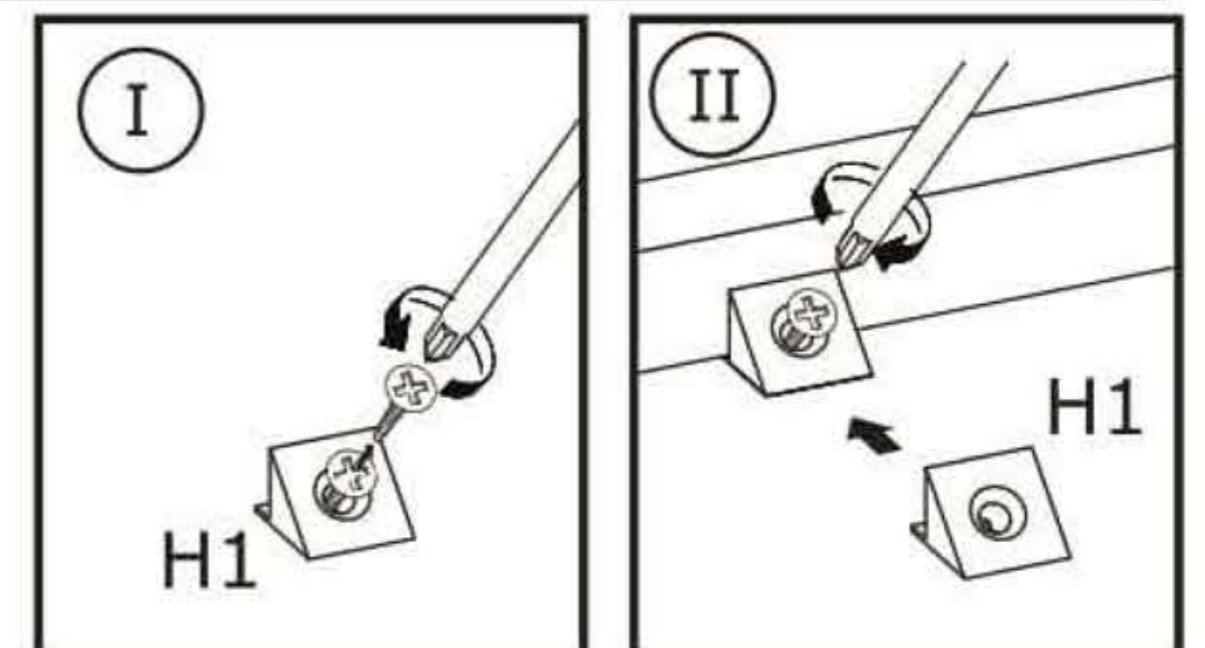


21

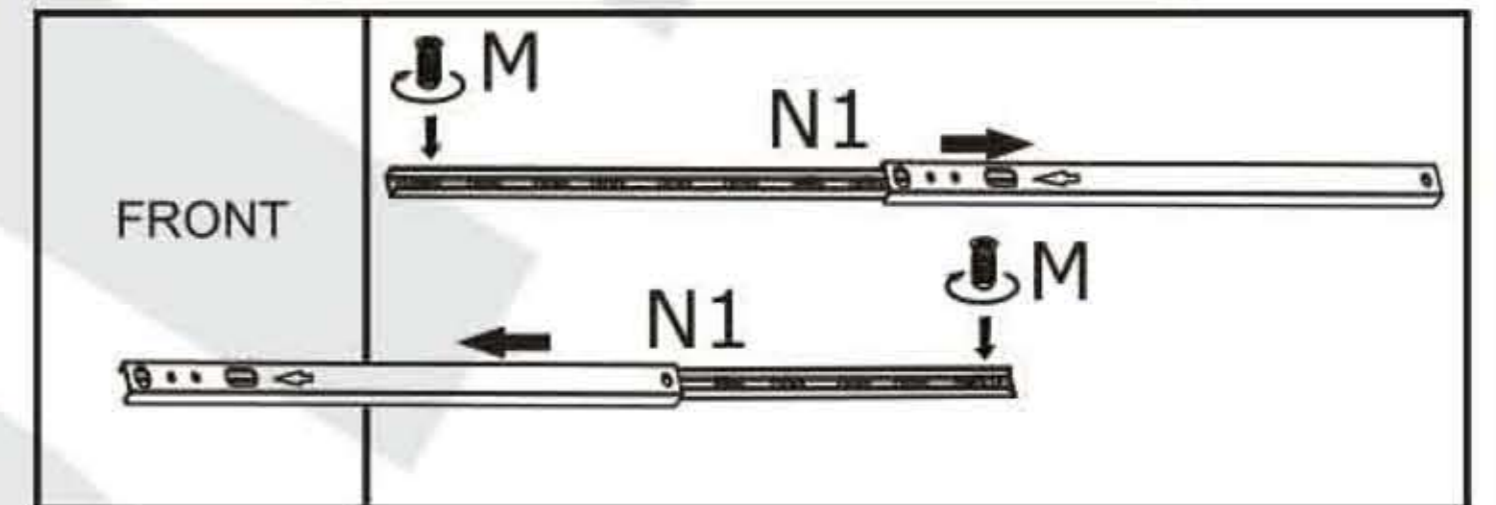
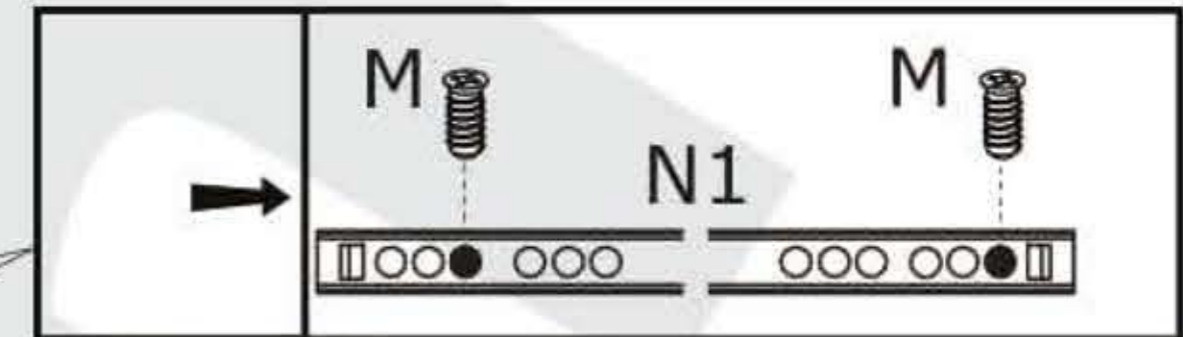
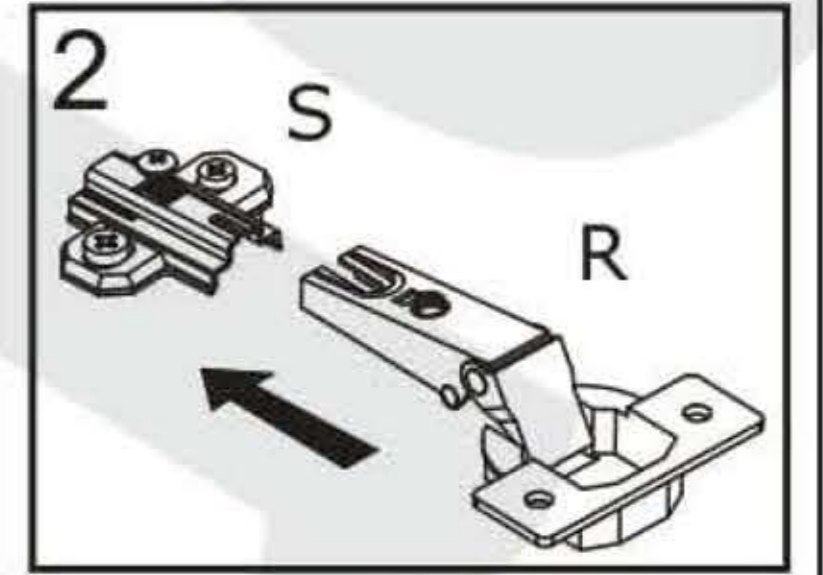
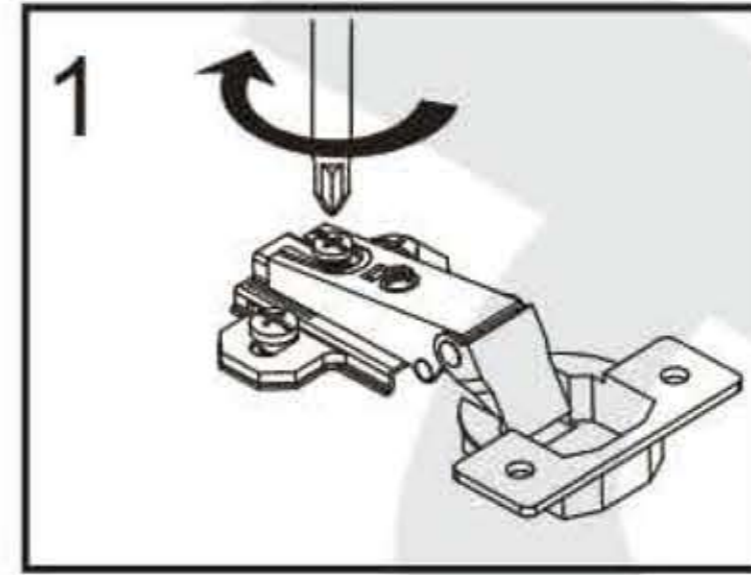
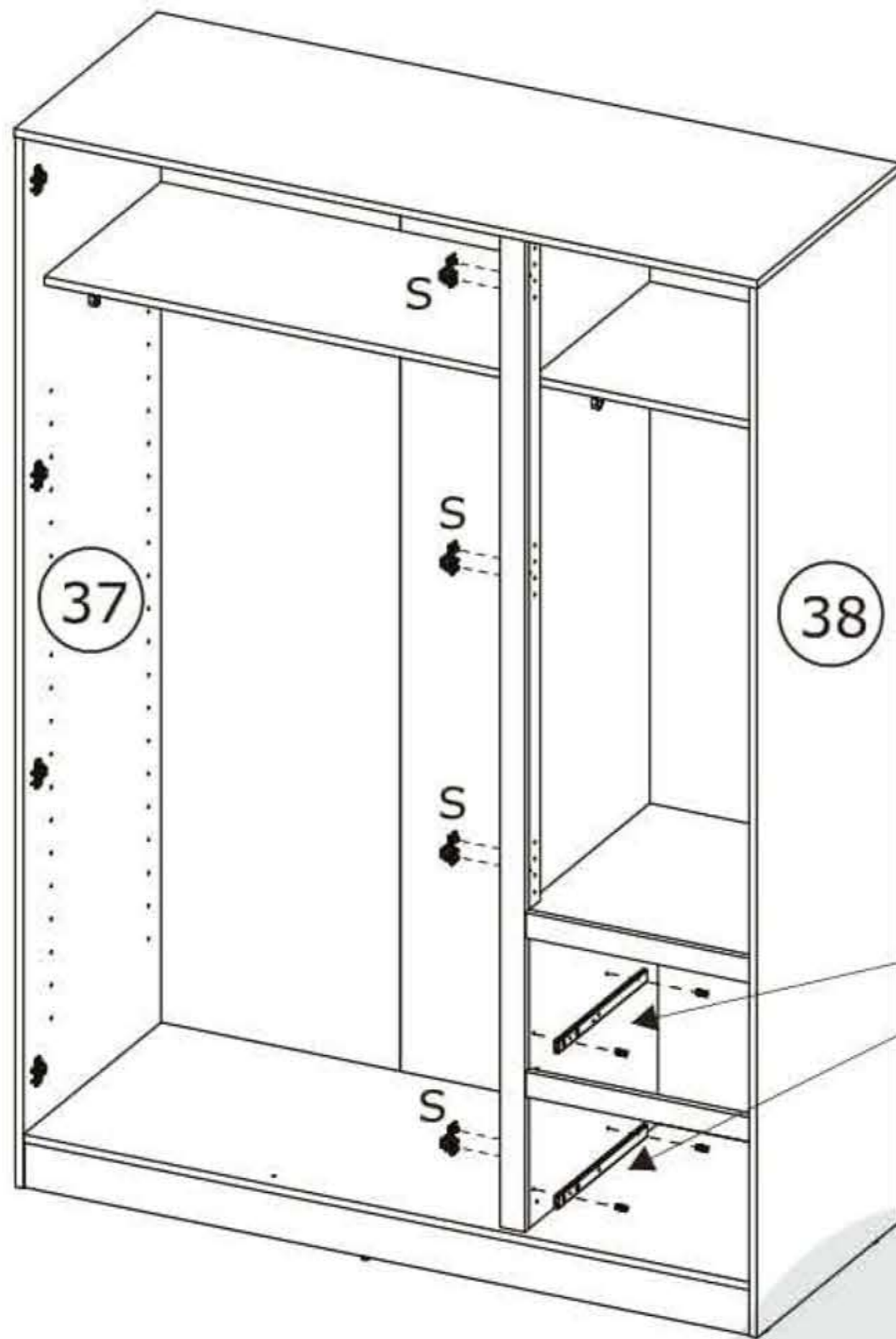
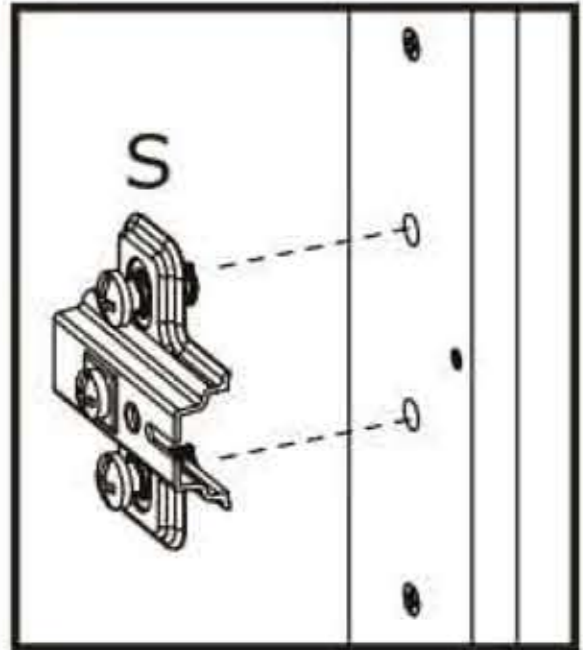
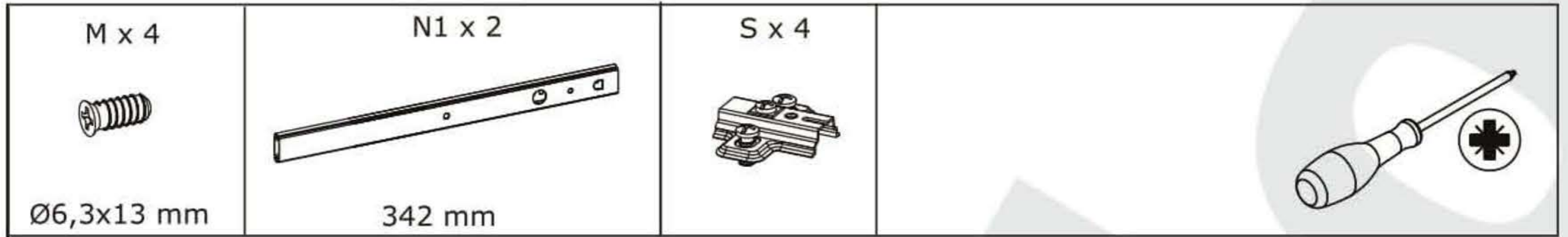
H x 10 22x9x2 mm 	H1 x 14 	L1 x 18 Ø3x20 mm 	 
--	--	--	---



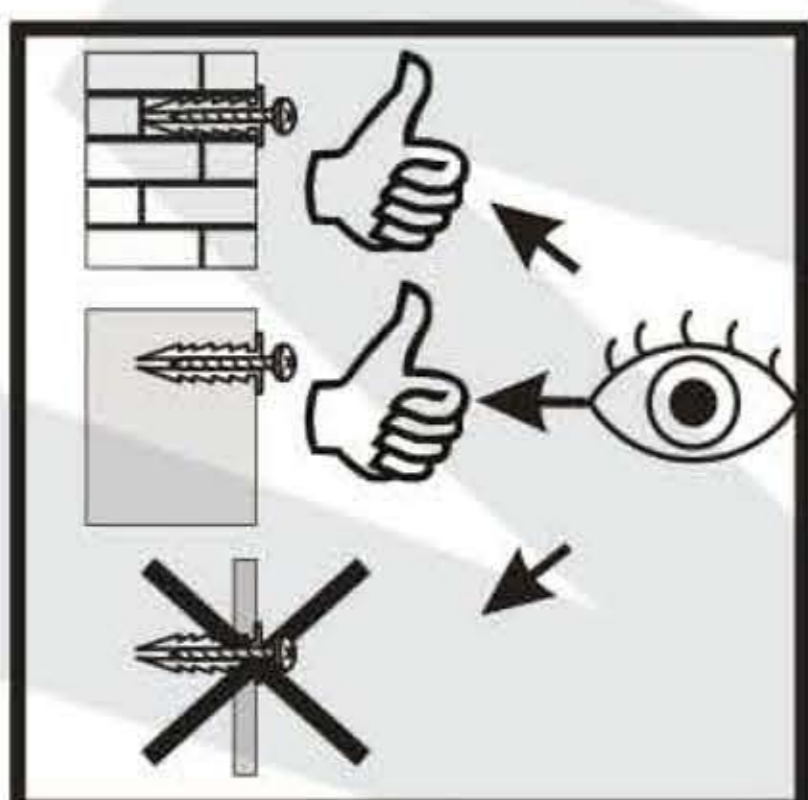
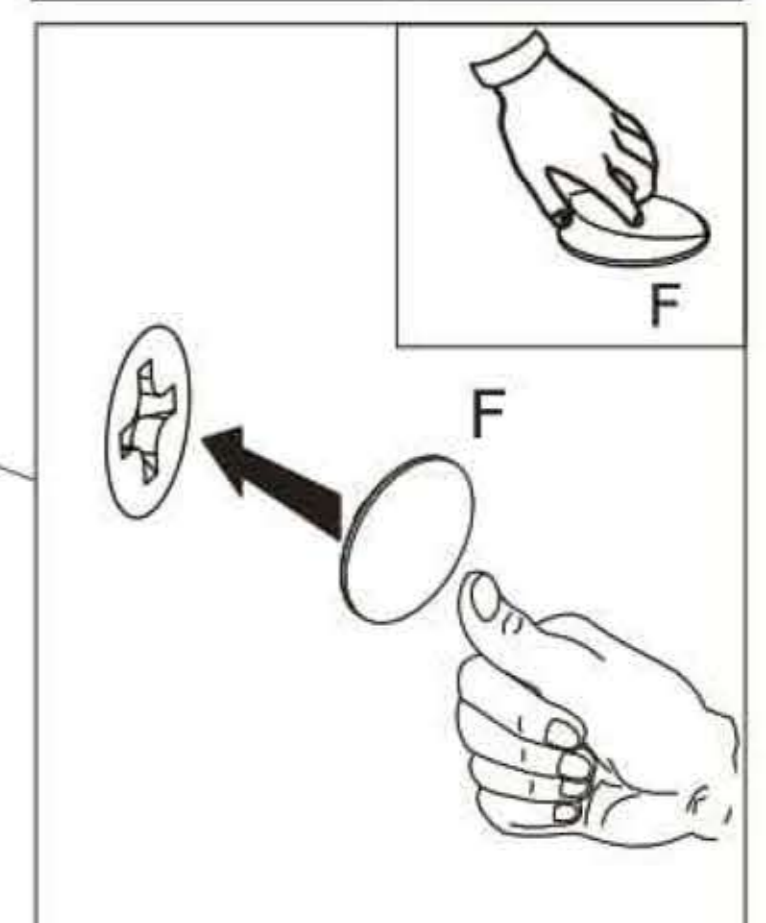
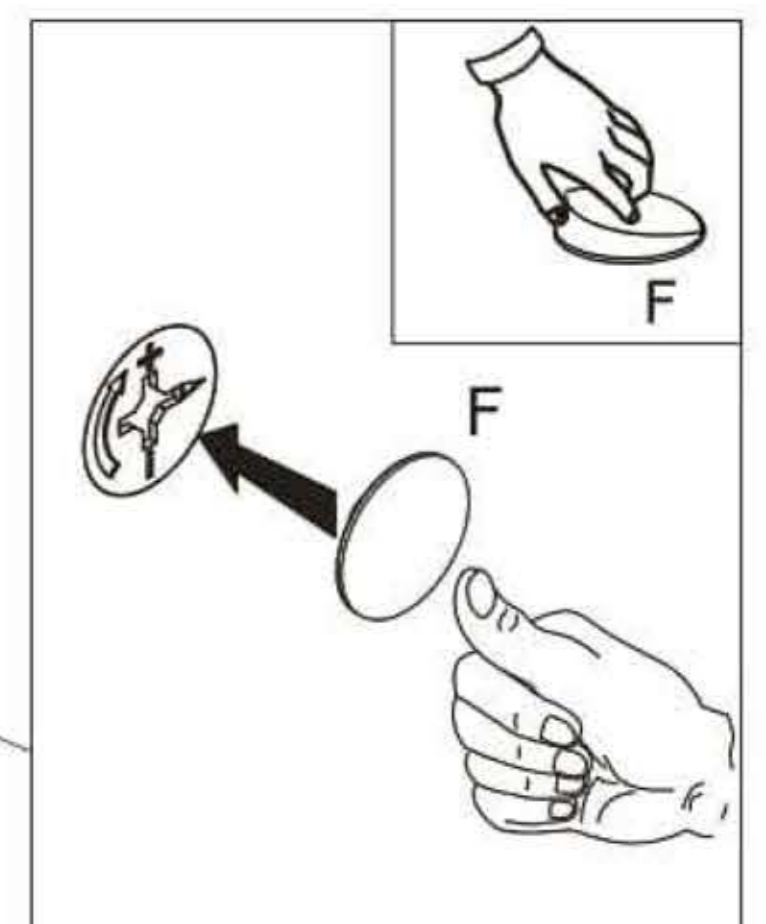
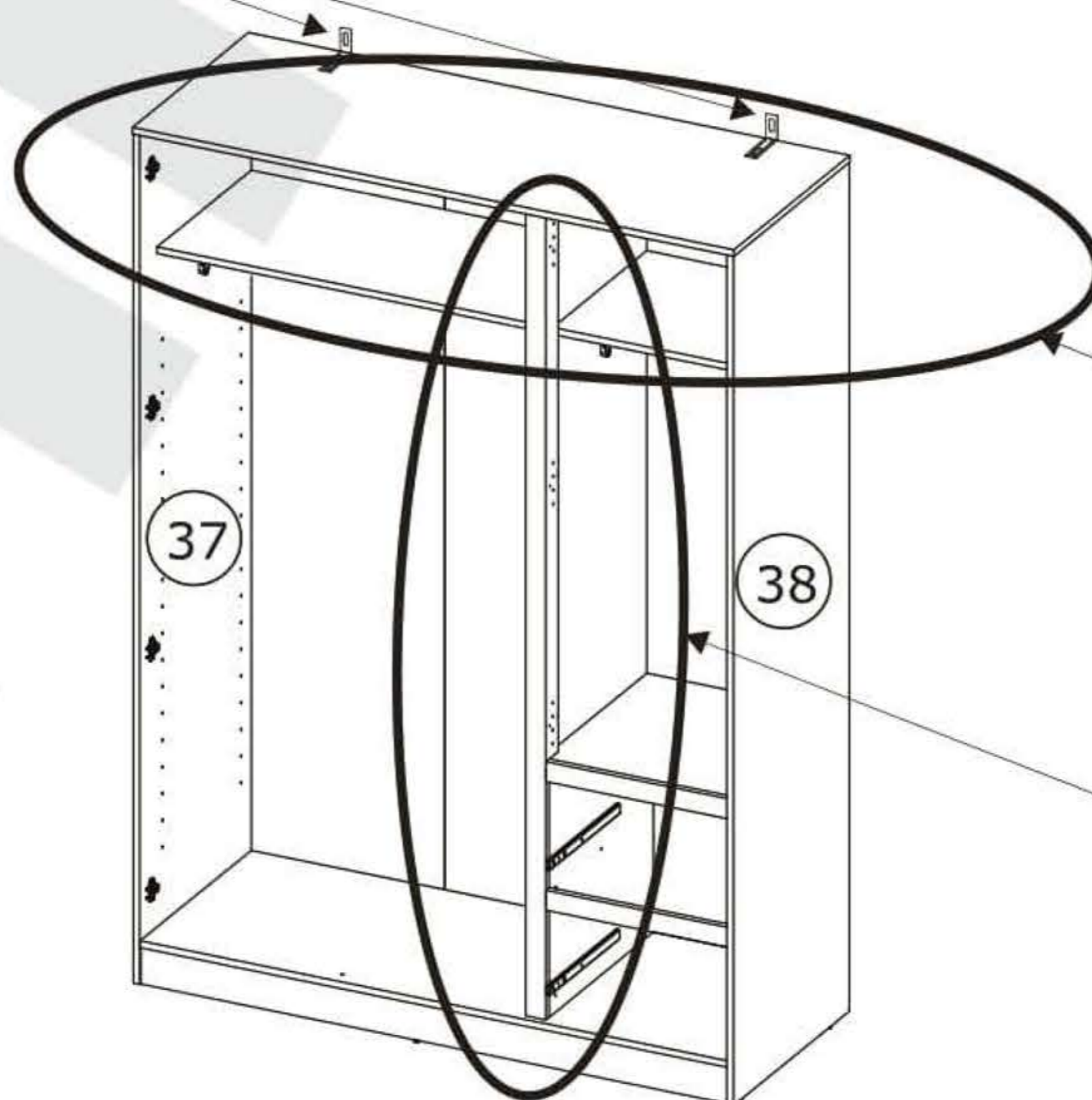
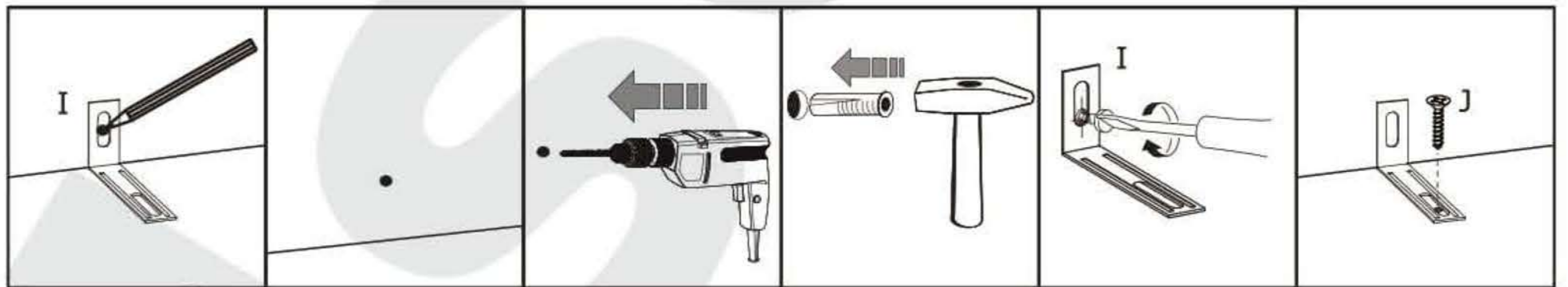
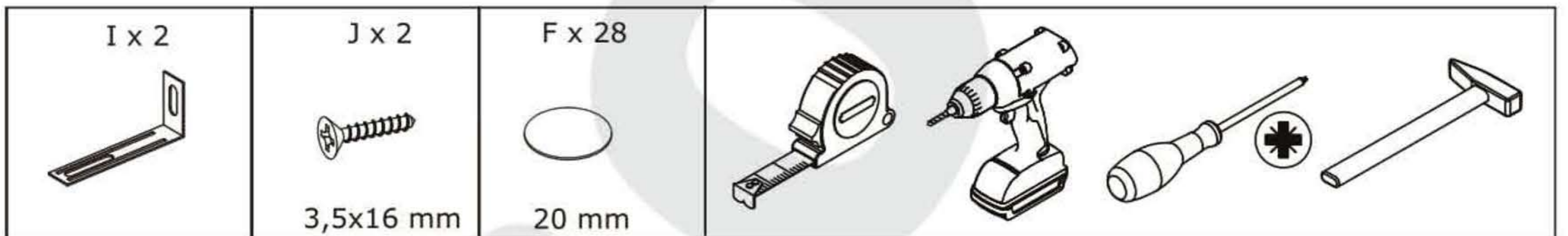
 $XX = YY \equiv 90^\circ$






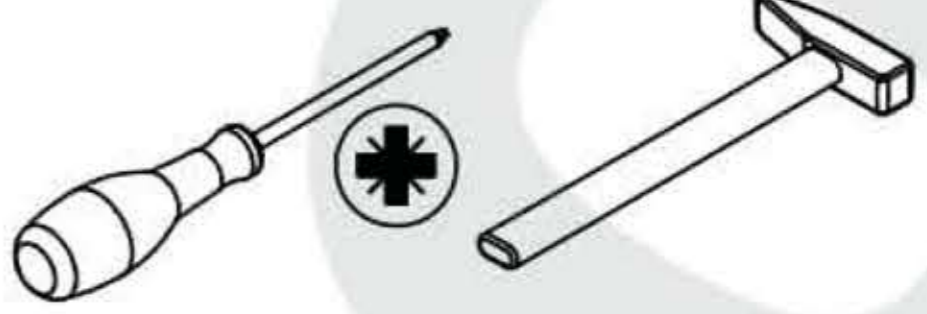
22

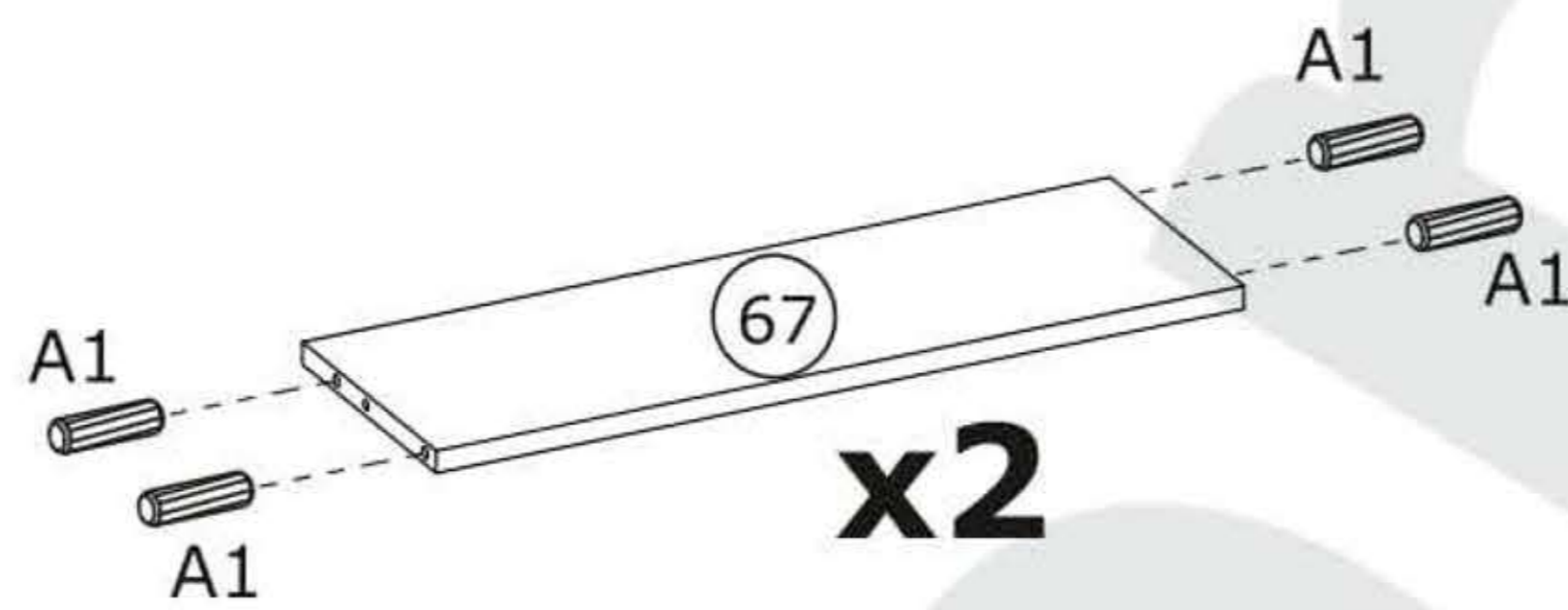
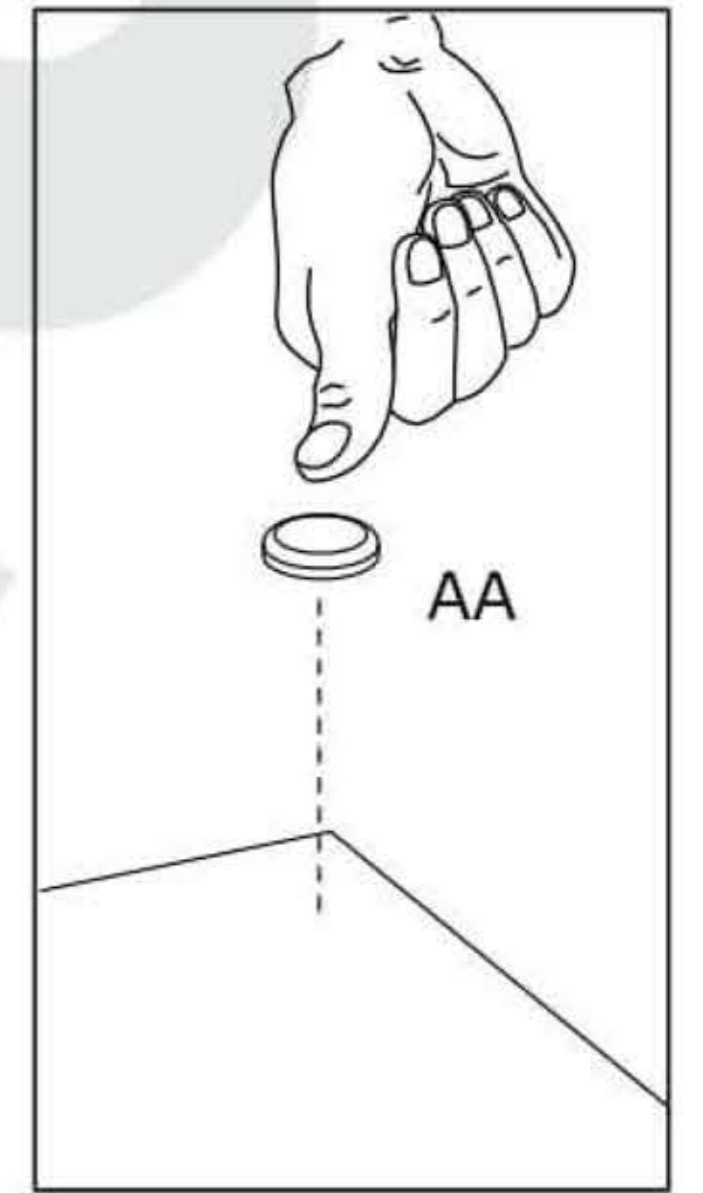
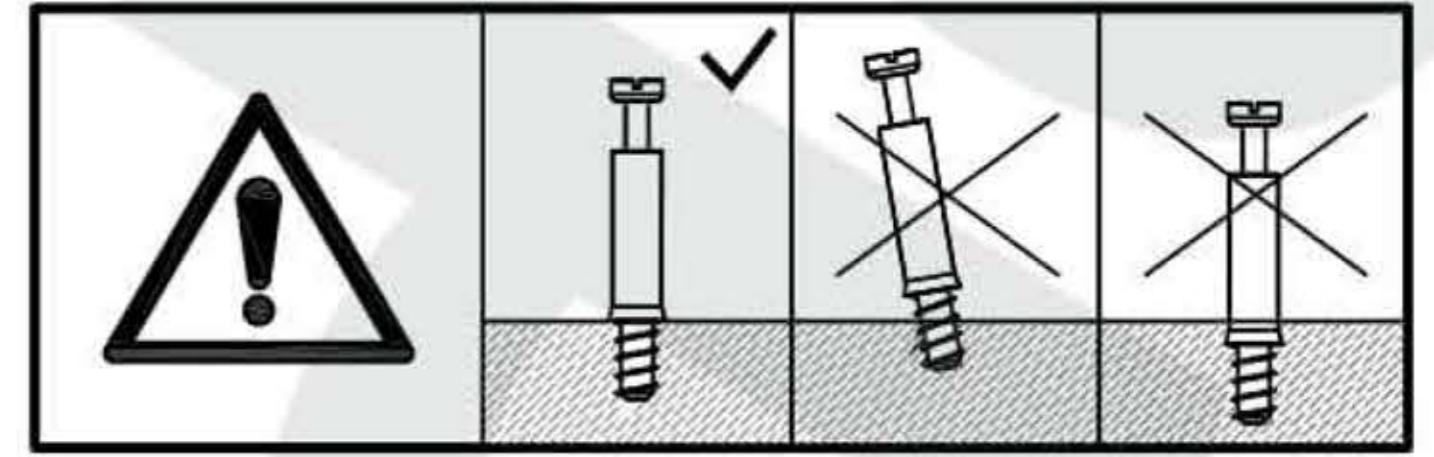
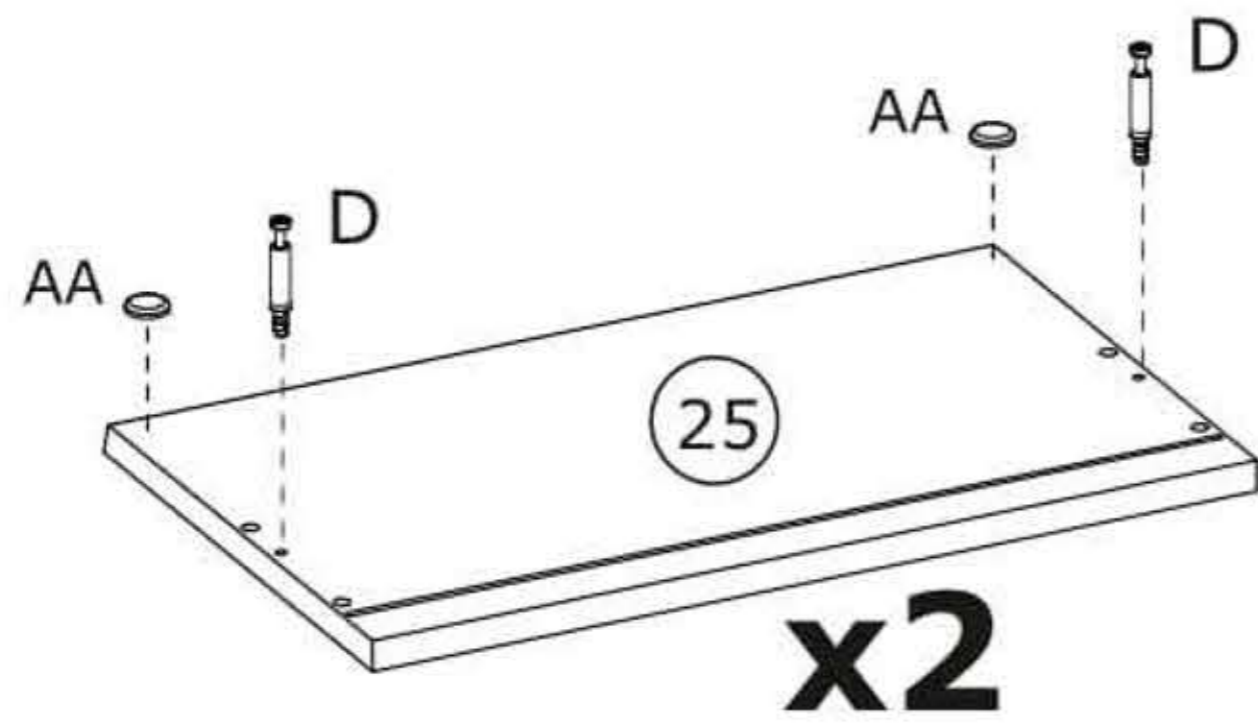


23



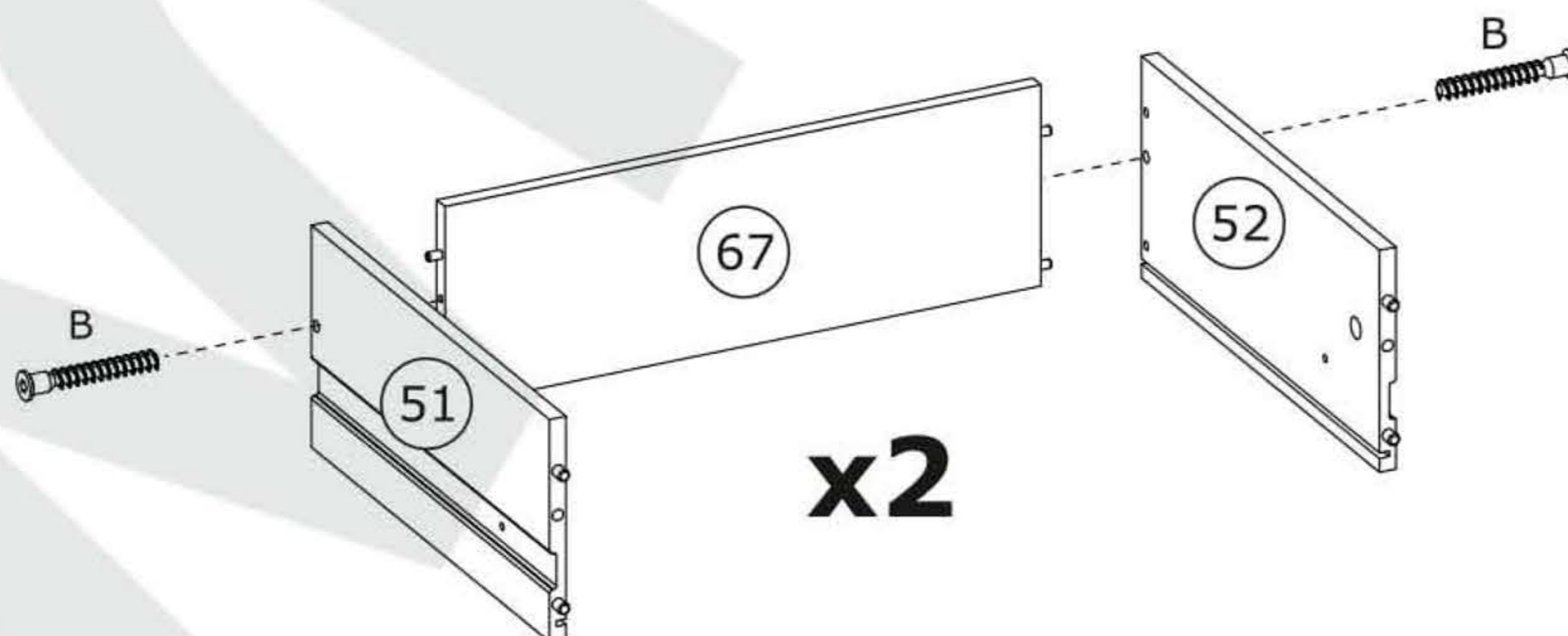
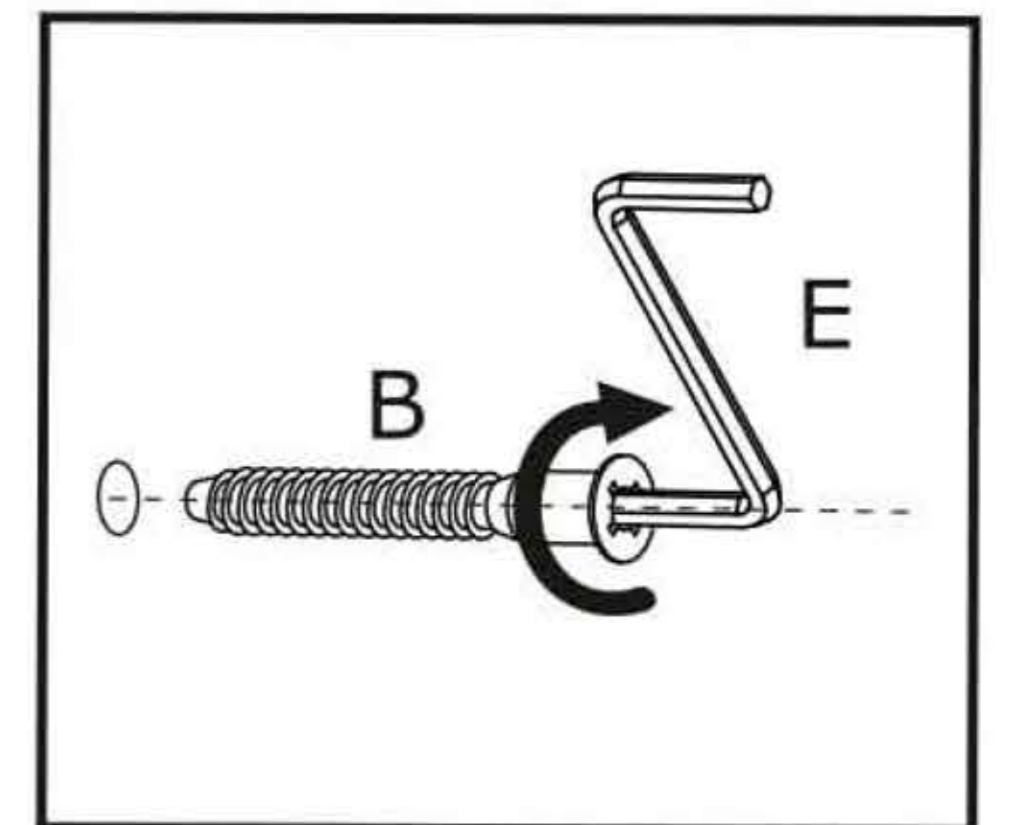
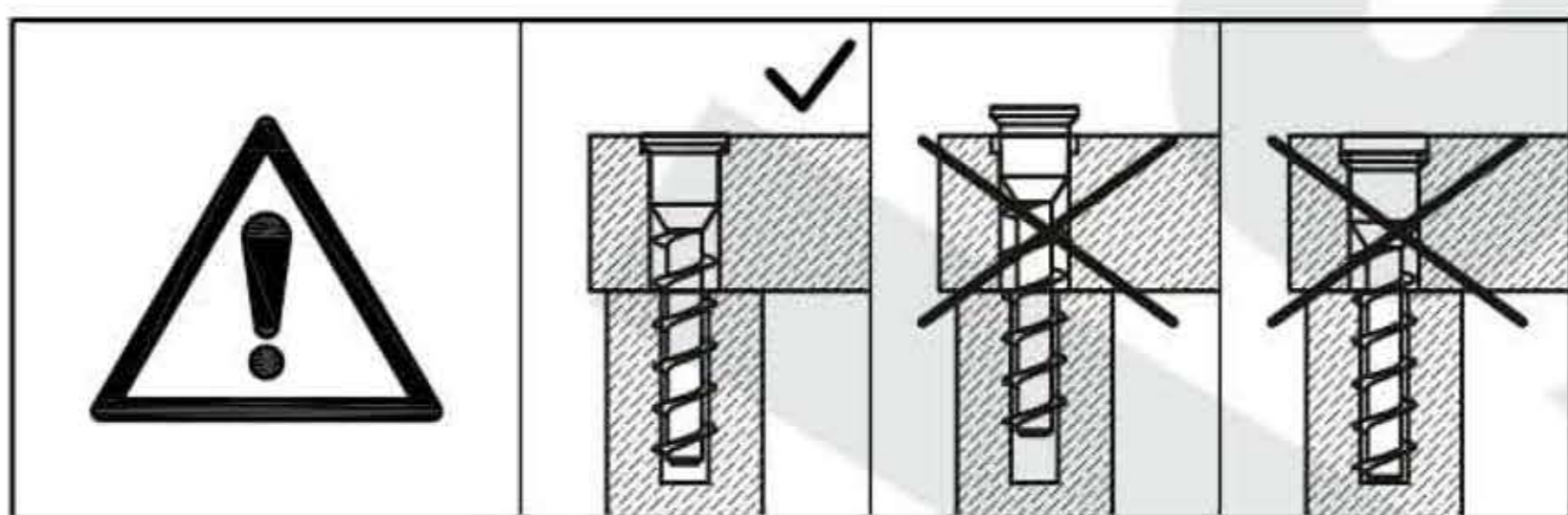
24

A1 x 8  Ø6x30 mm	D x 4  Ø5x44 mm	AA x 4 	
---	--	---	---



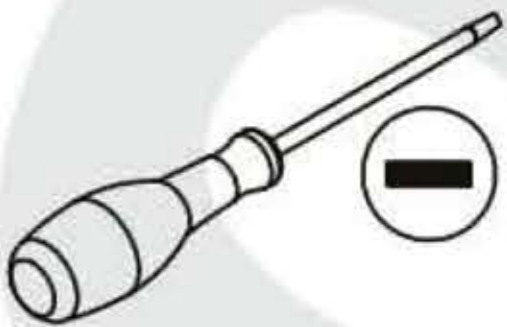


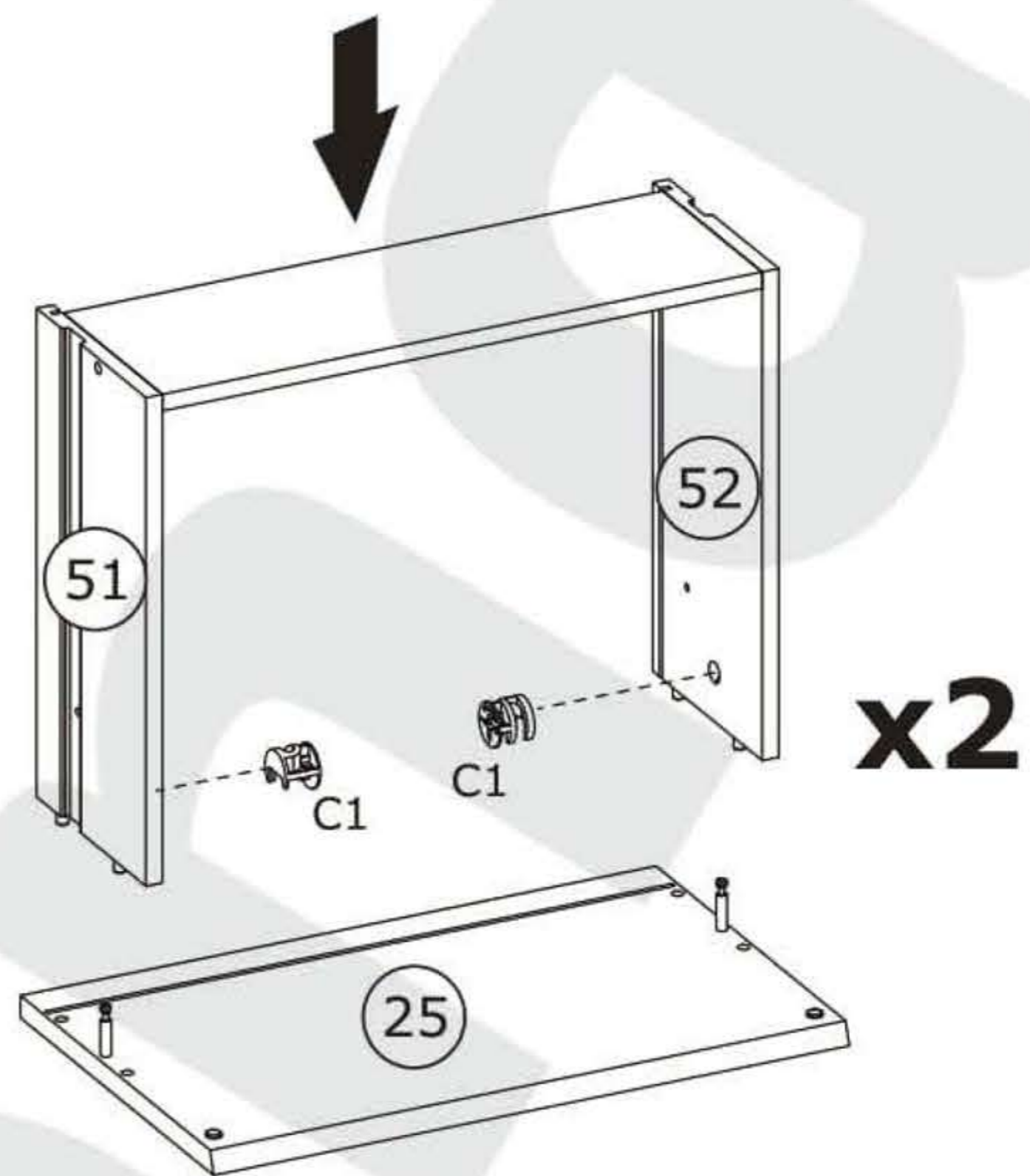
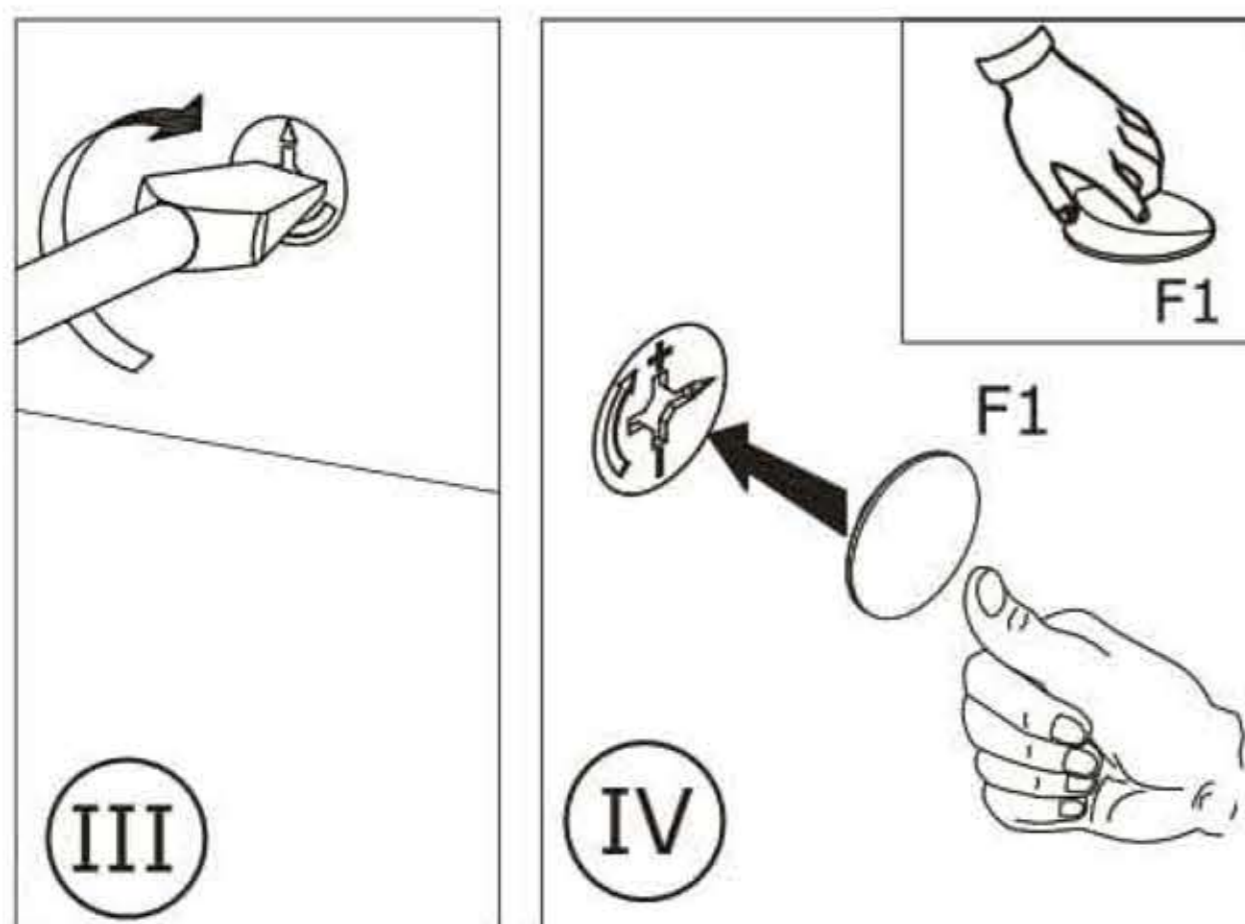
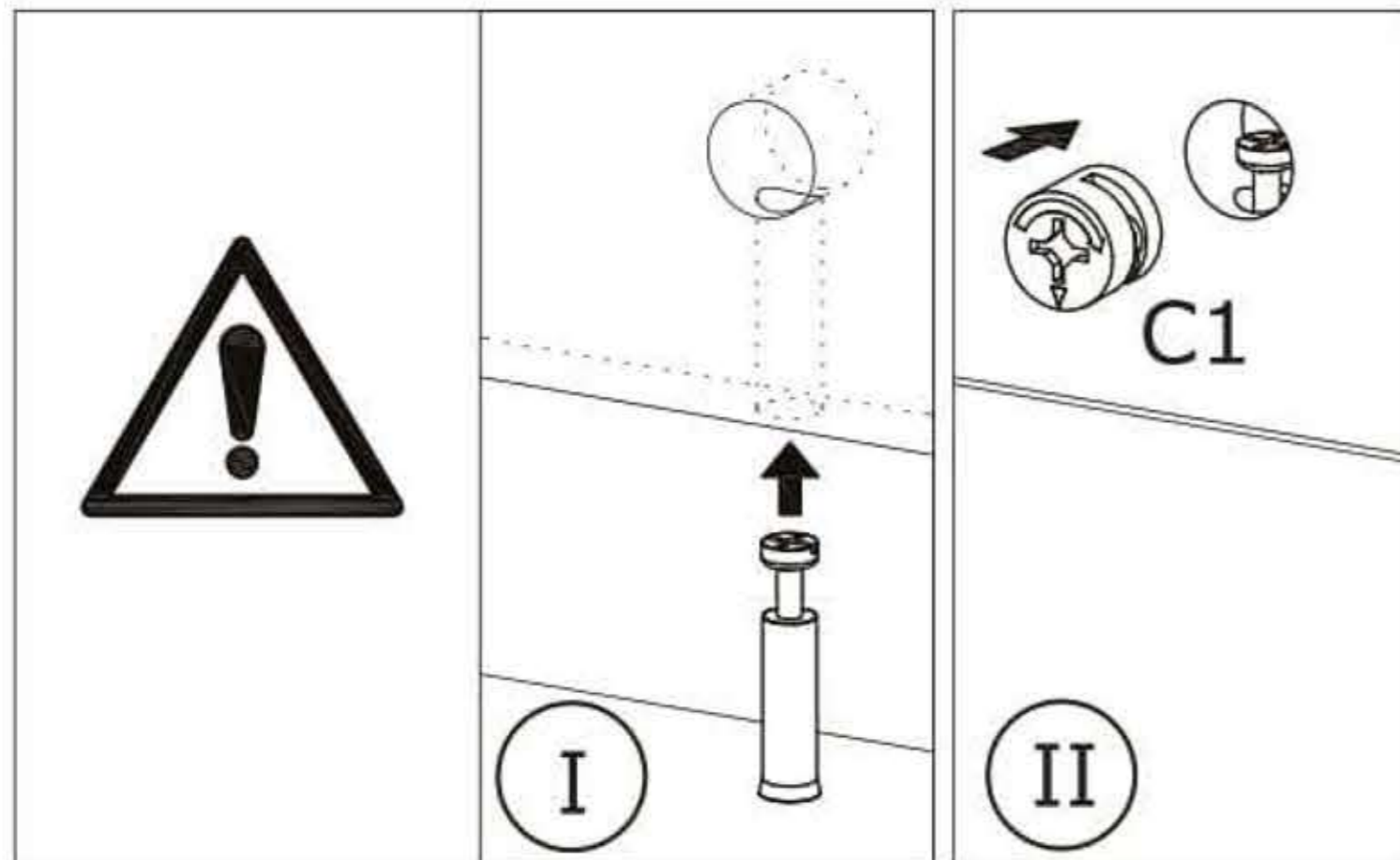
25

B x 4  Ø7x50 mm	E x 1  4 mm	
--	--	--



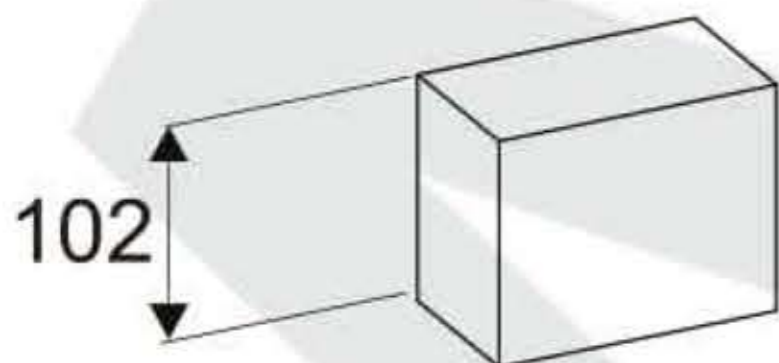
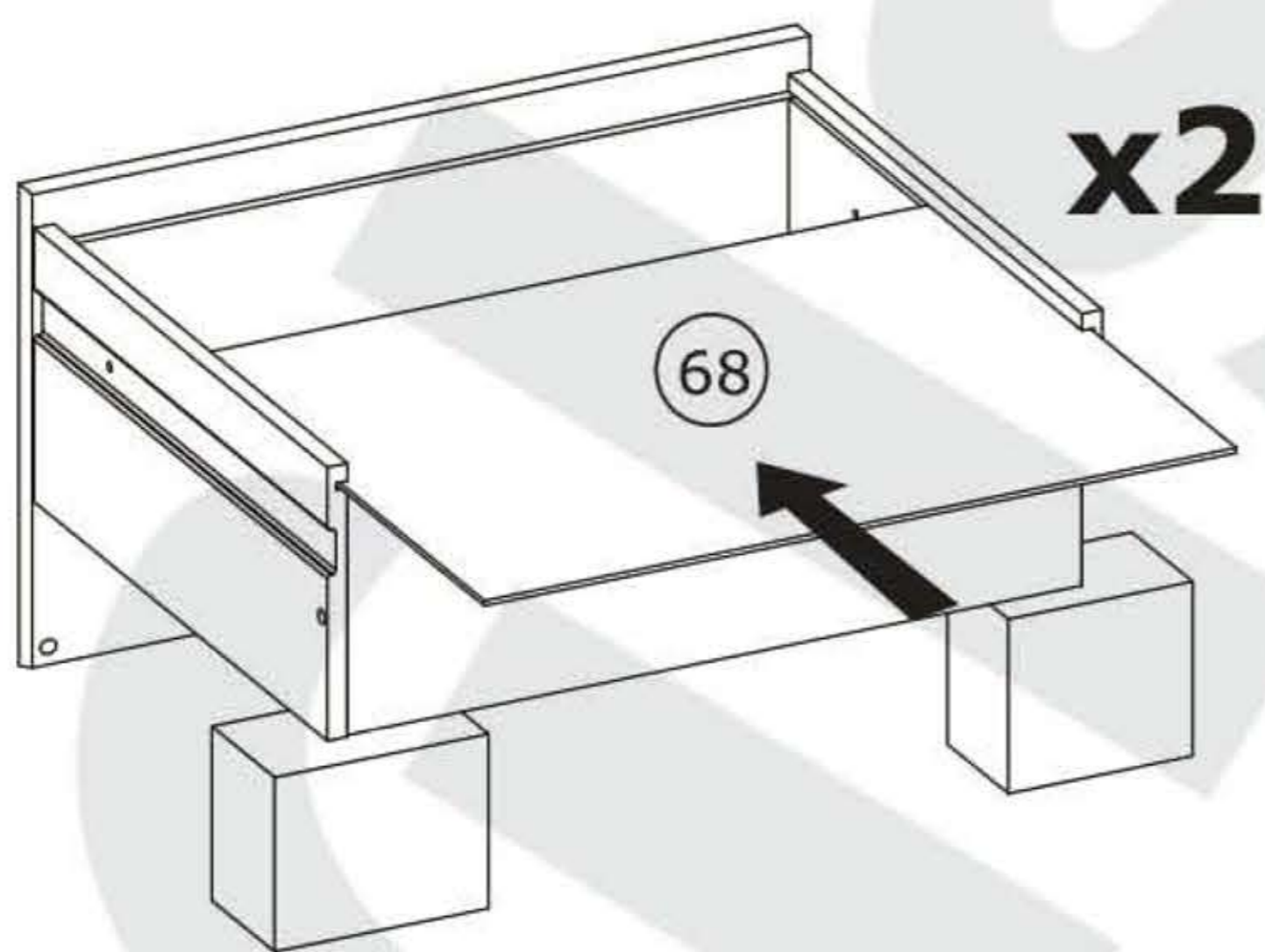
26


C1 x 4  Ø15x10 mm	F1 x 4  20 mm	
--	--	---

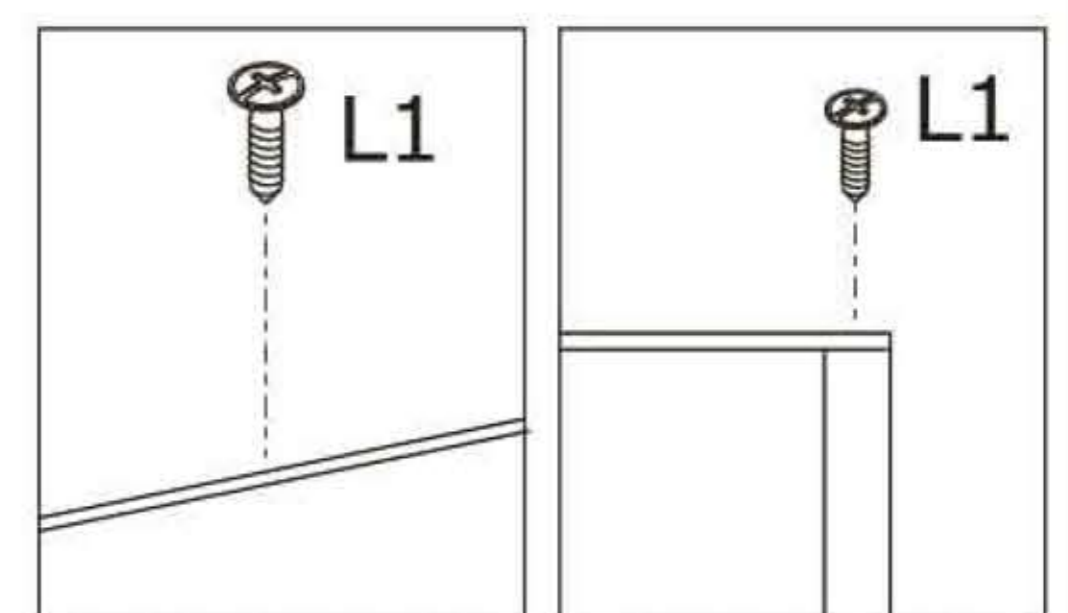
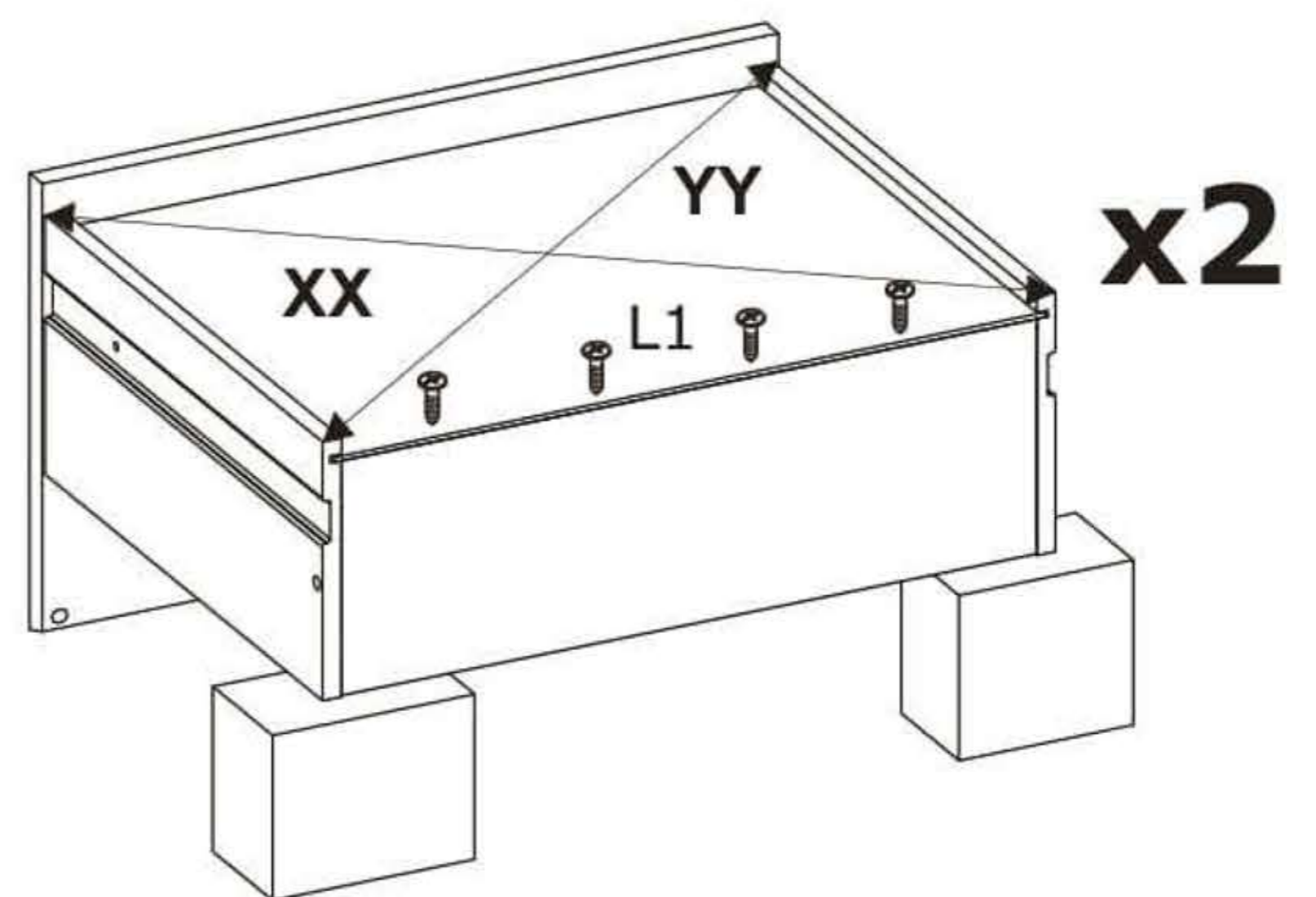


27





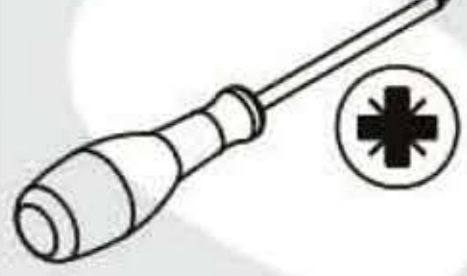
L1 x 8  Ø3x20 mm	 
---	---

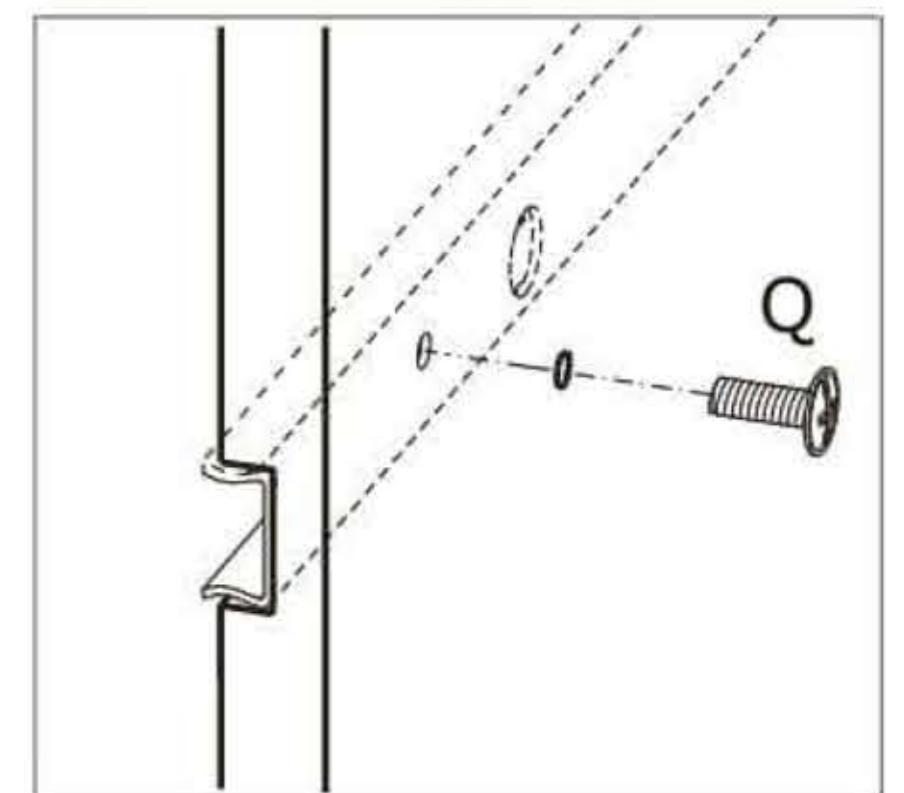
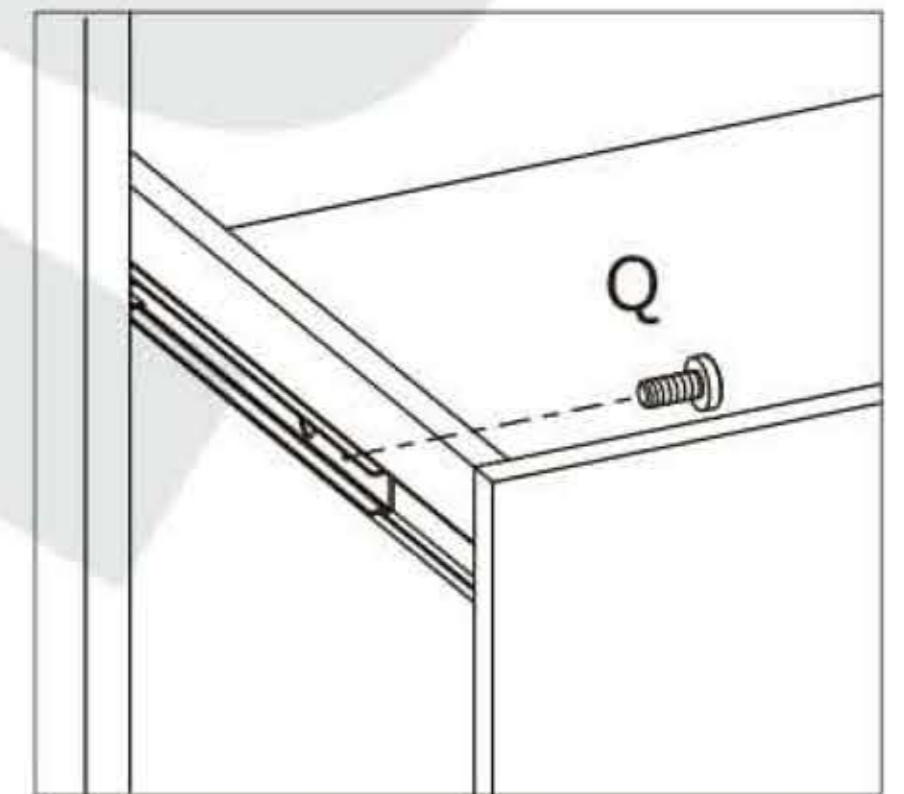
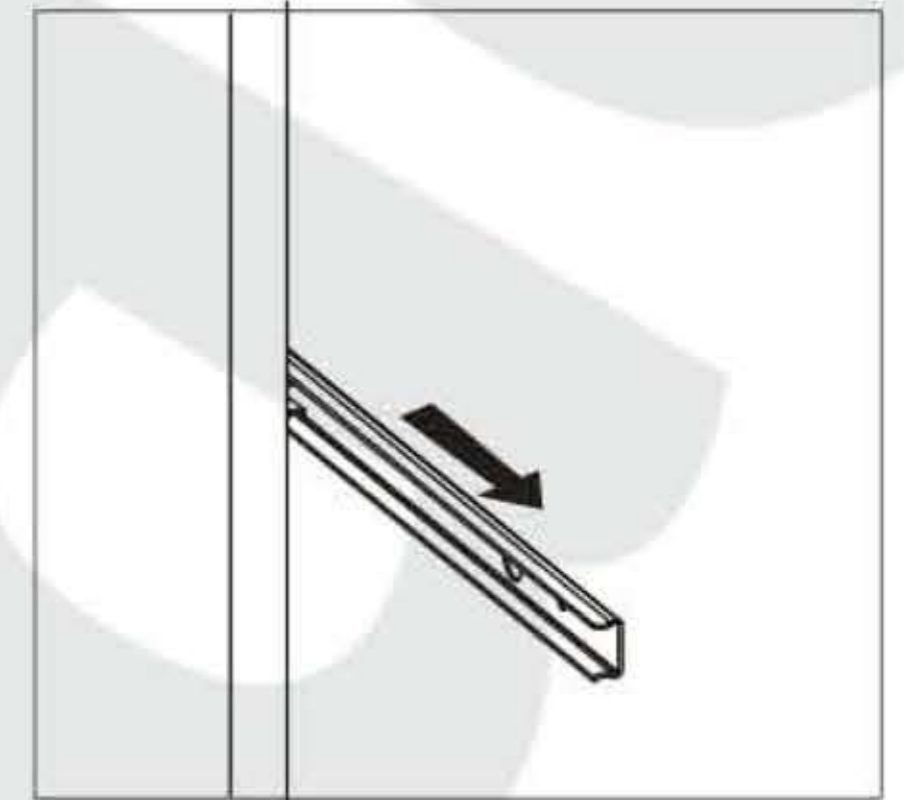
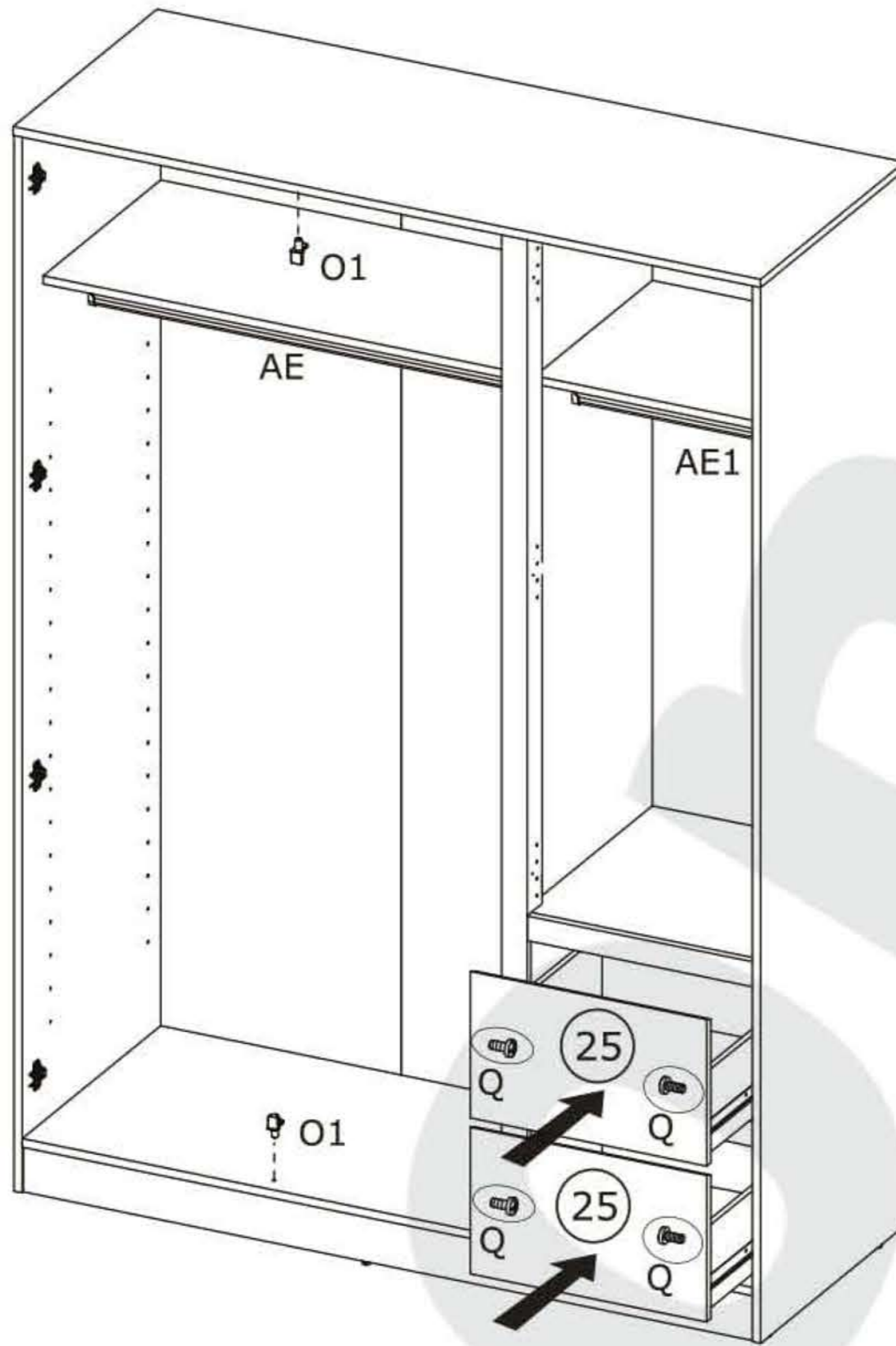
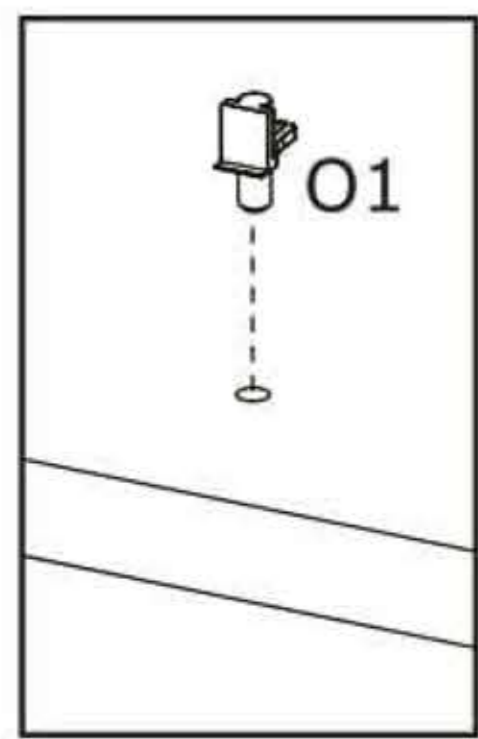
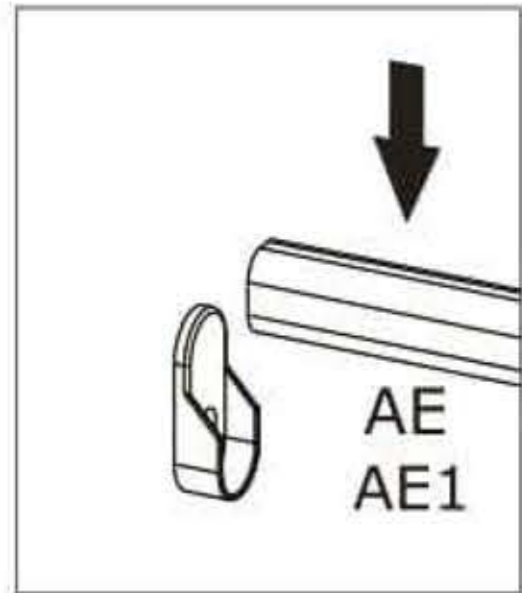


 $XX = YY = 90^\circ$



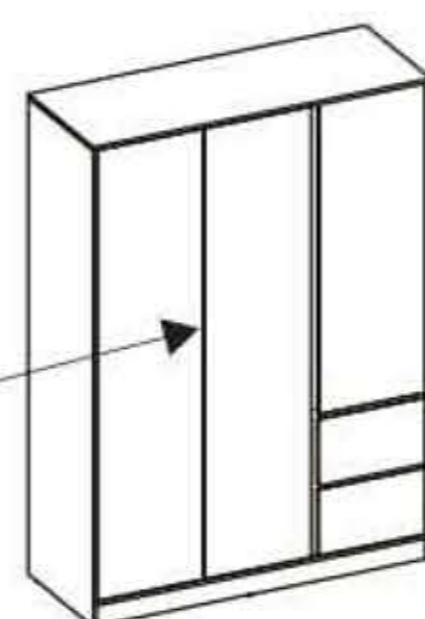
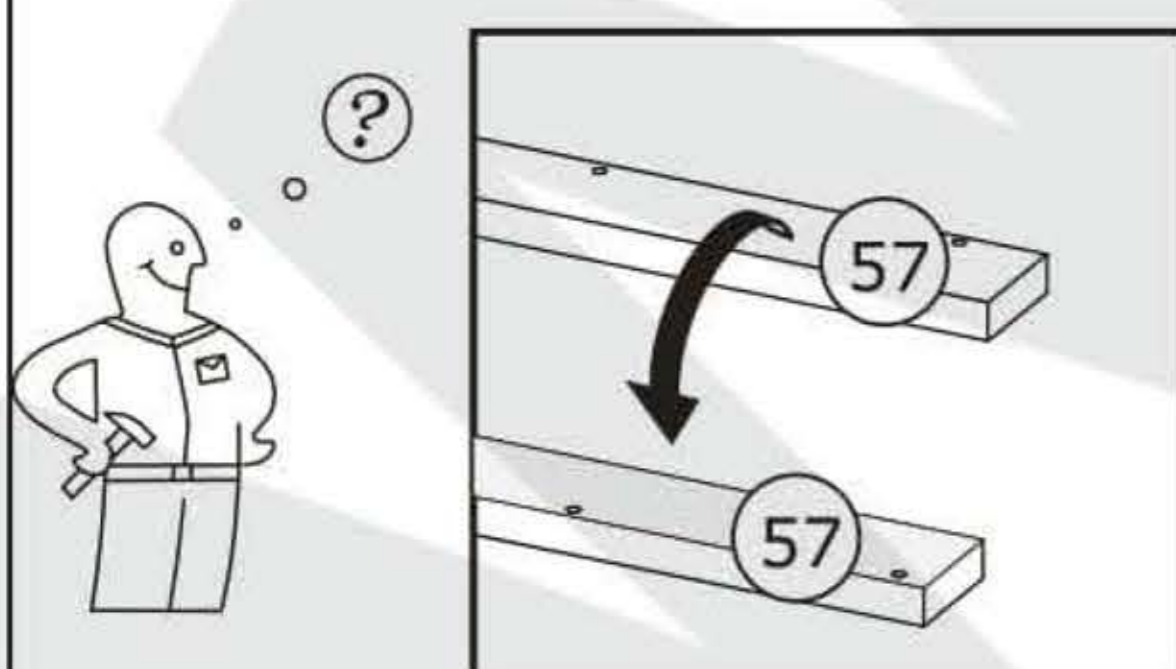
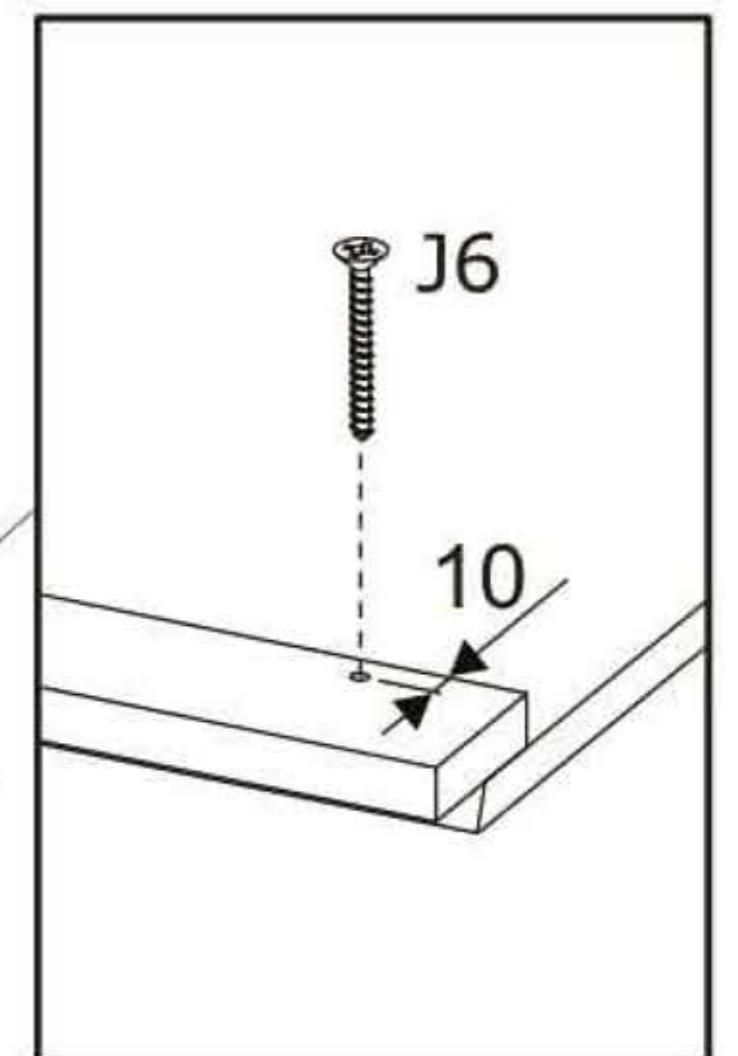
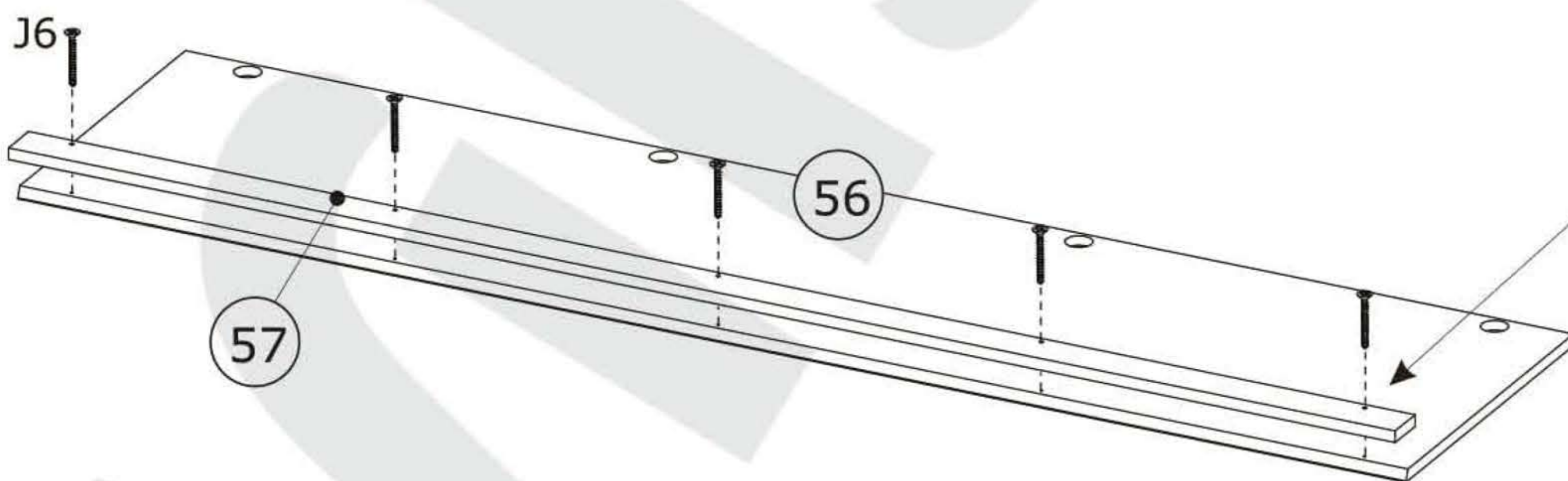
28

Q x 4  4x9 mm	O1 x 2  Ø5mm	AE x 1  942 mm	AE1 x 1  460 mm	
--	---	--	--	---



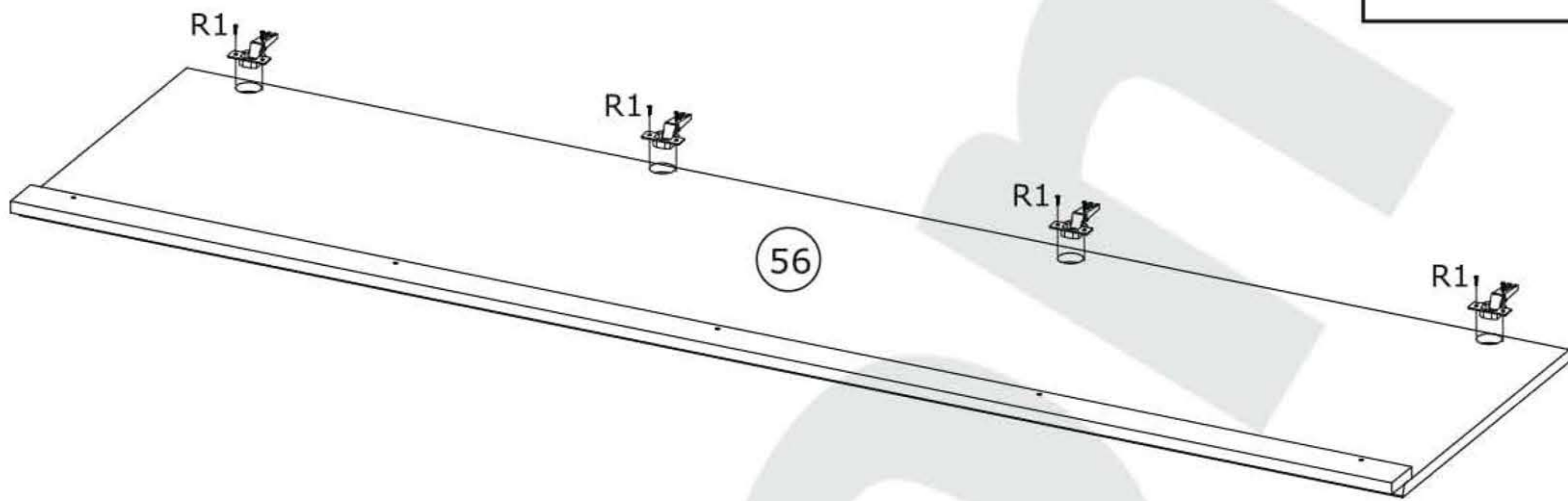
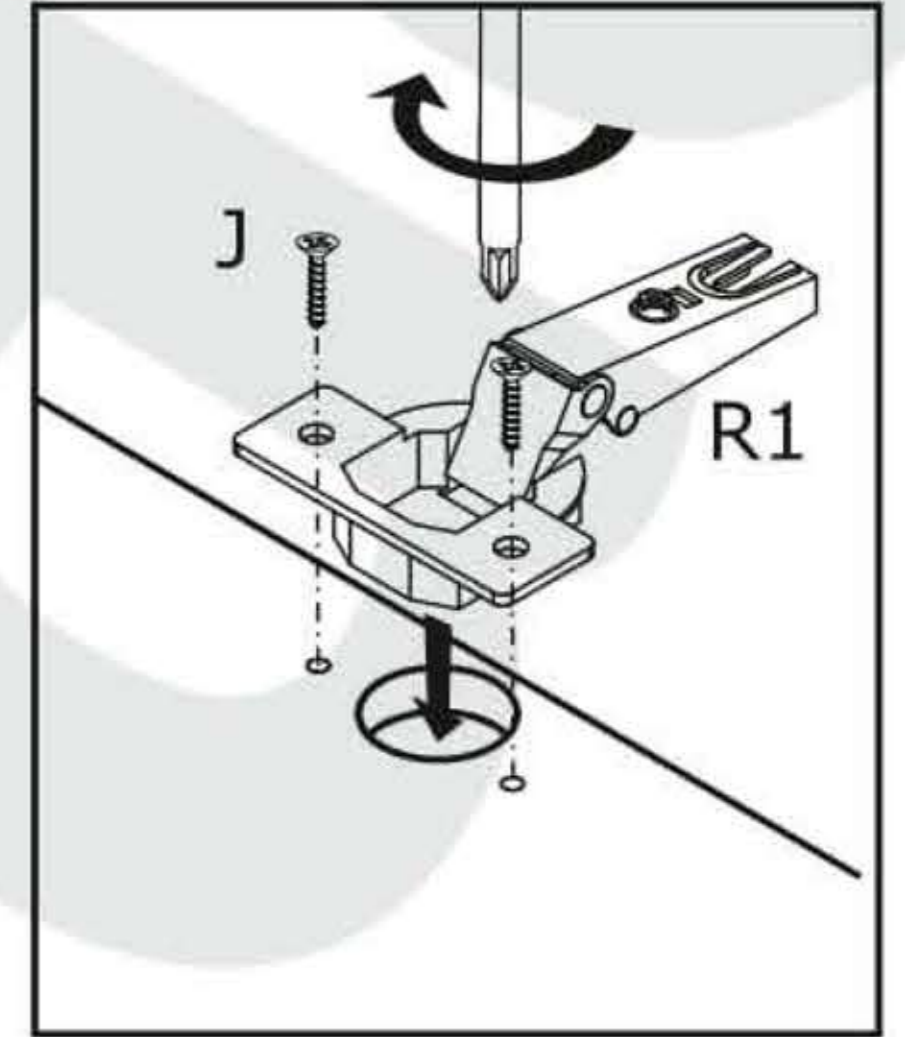
29

J6 x 5  4x30 mm	
--	---



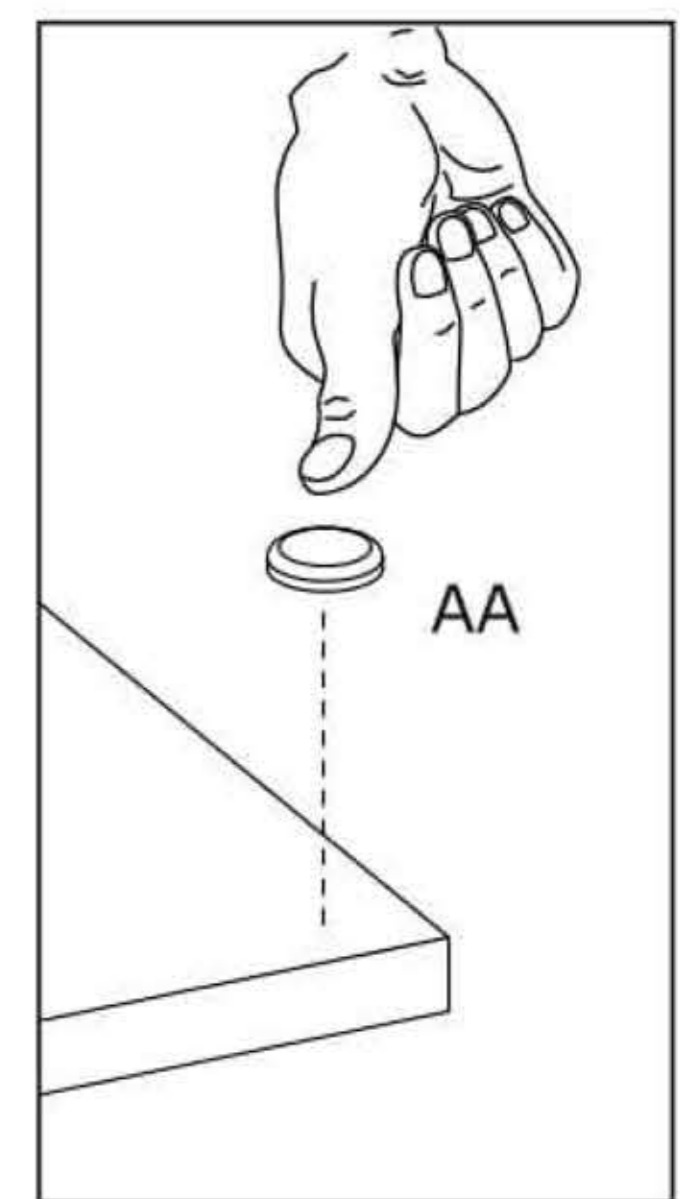
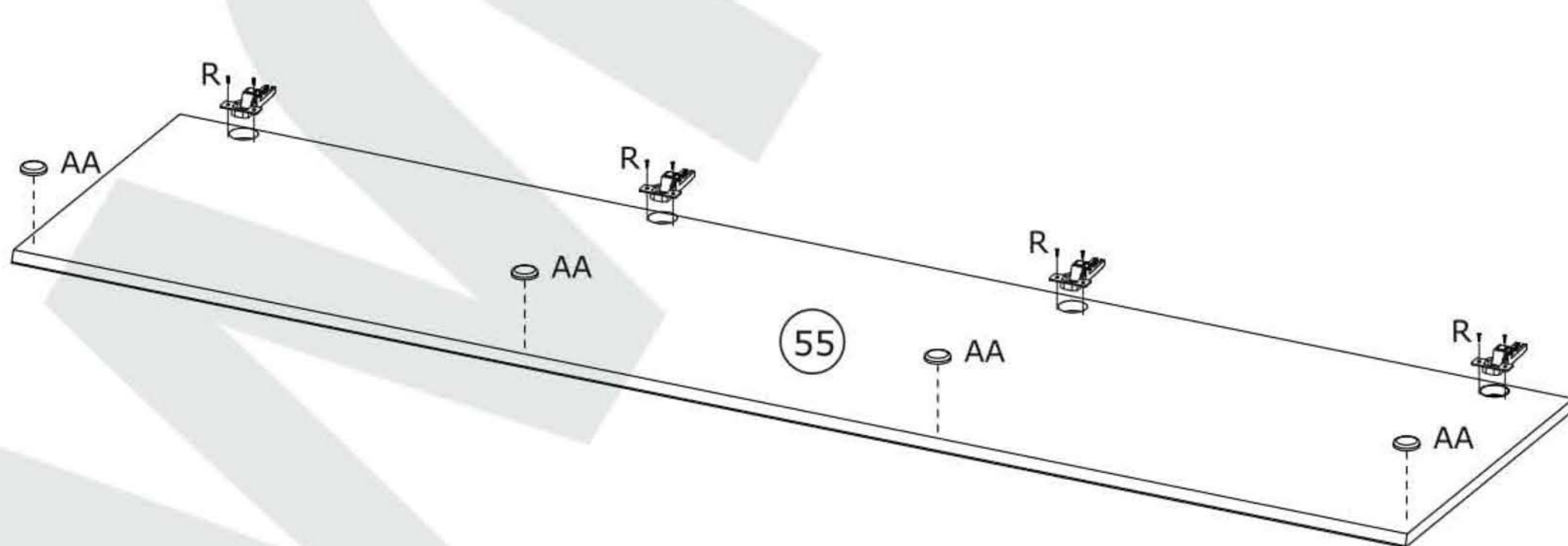
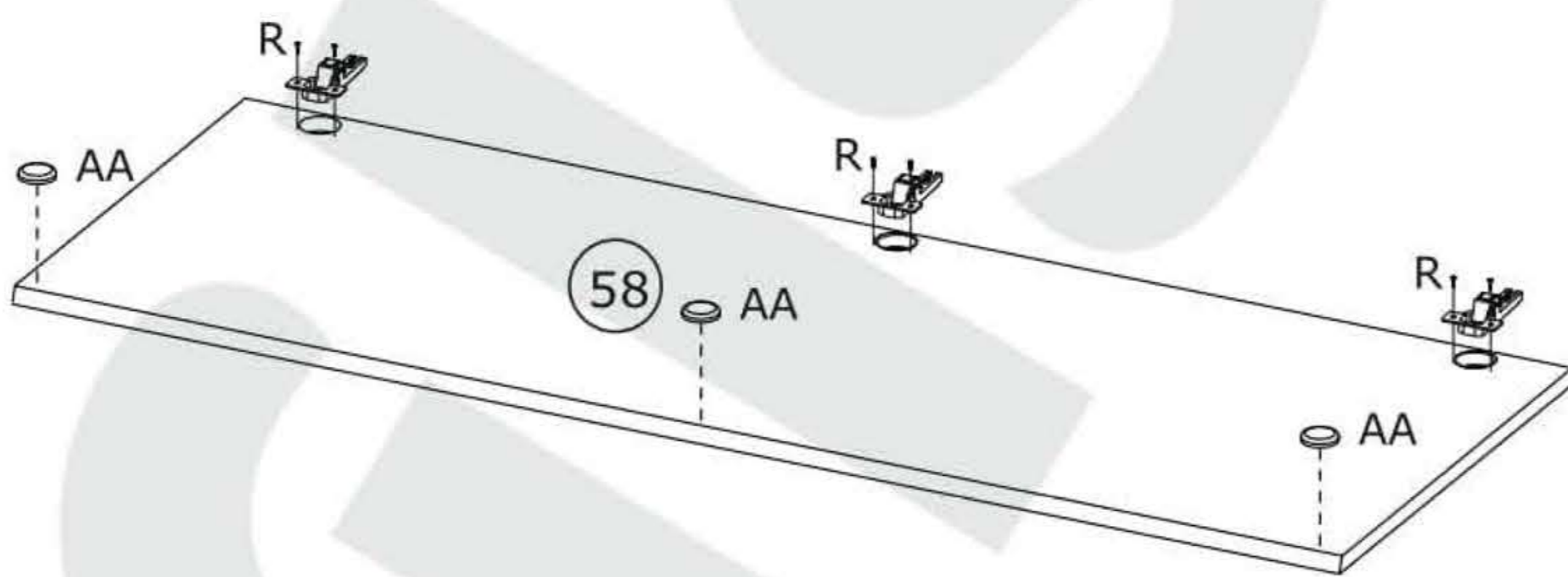
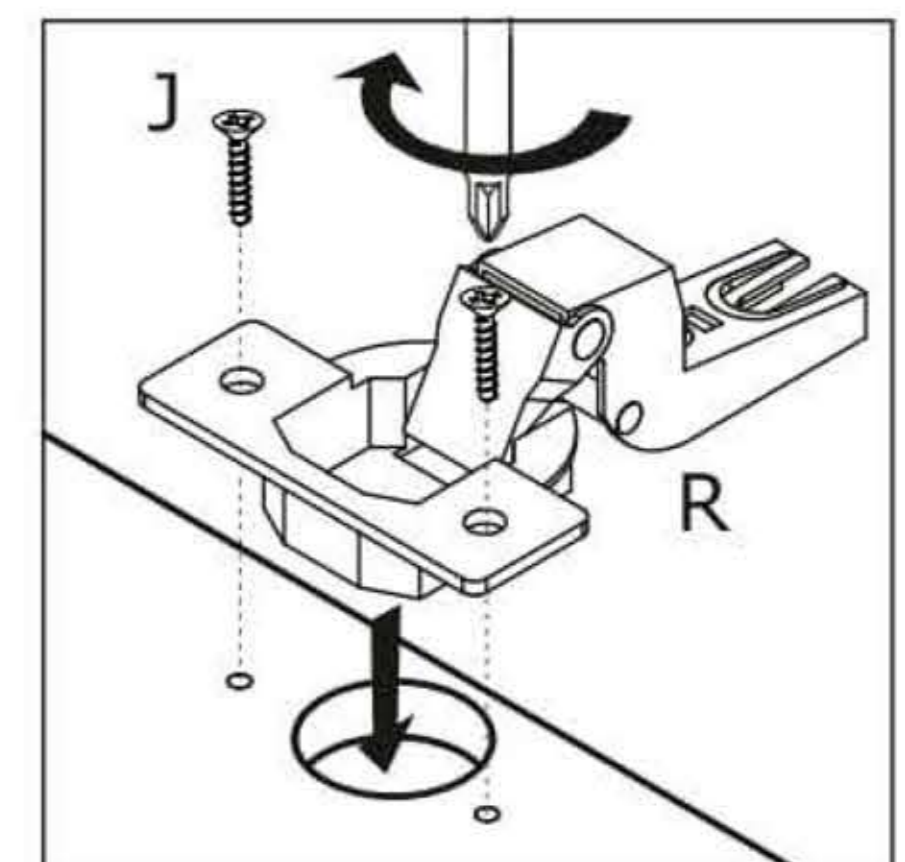
30

R1 x 4	J x 8		
	 3,5x16 mm		



31

R x 7	J x 14	AA x 7	
	 3,5x16 mm		



32

