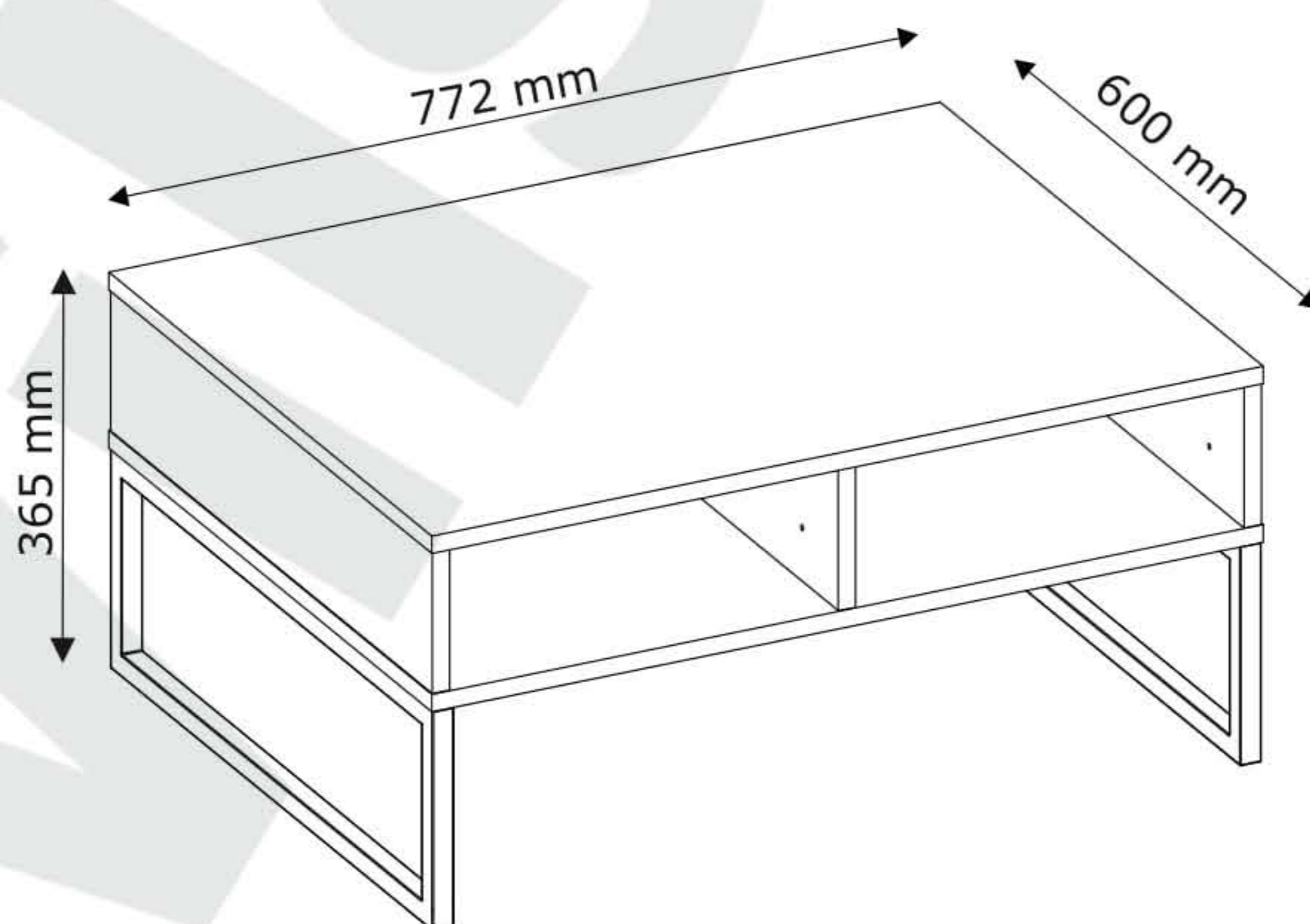
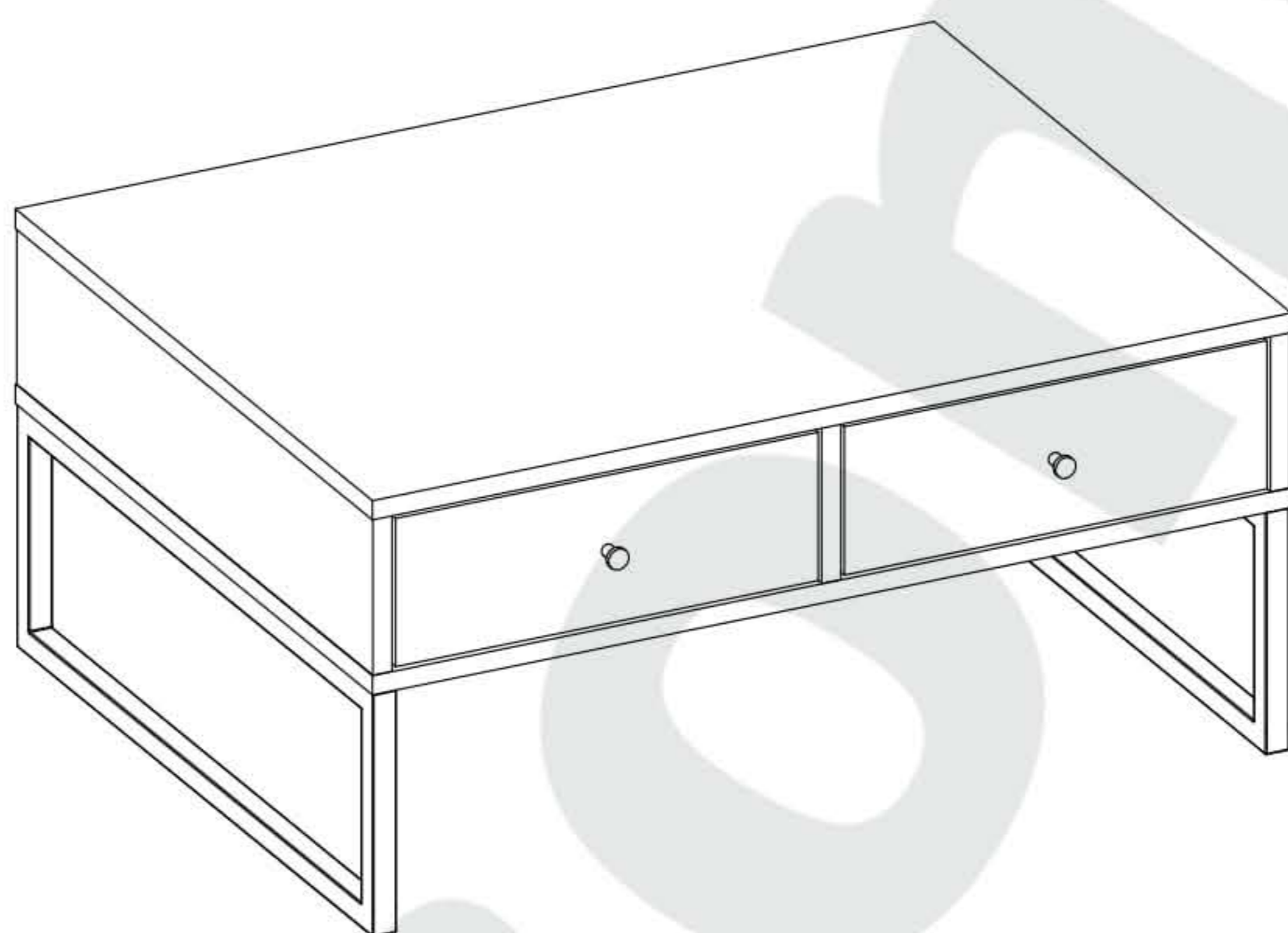
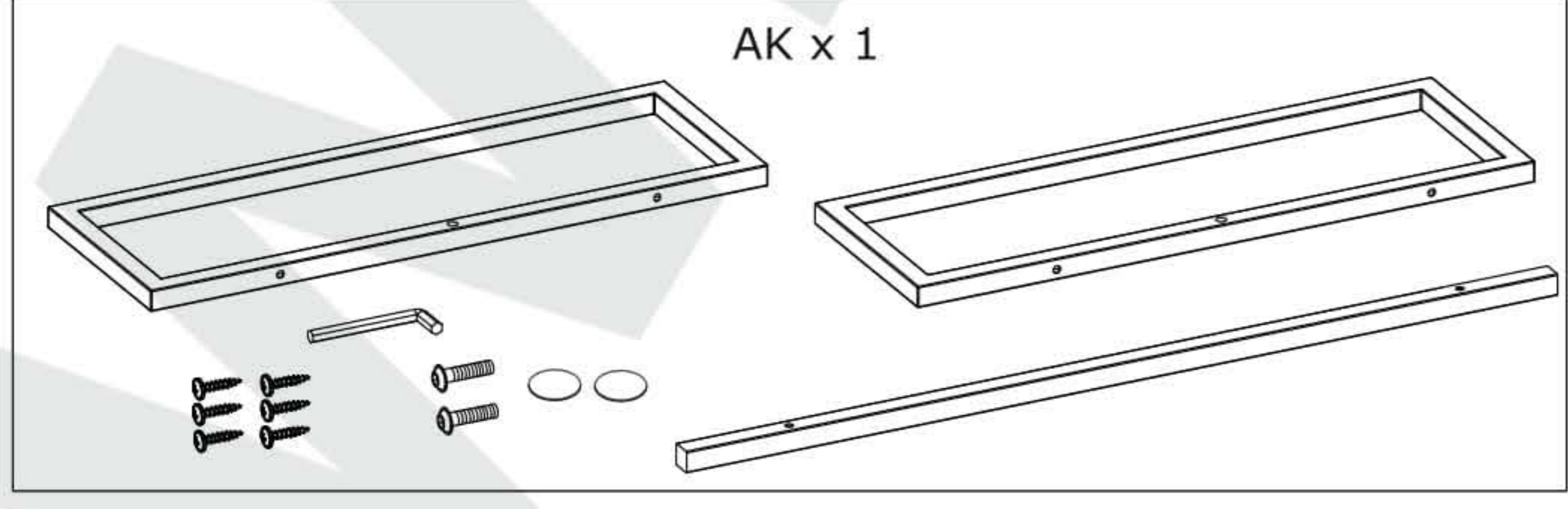
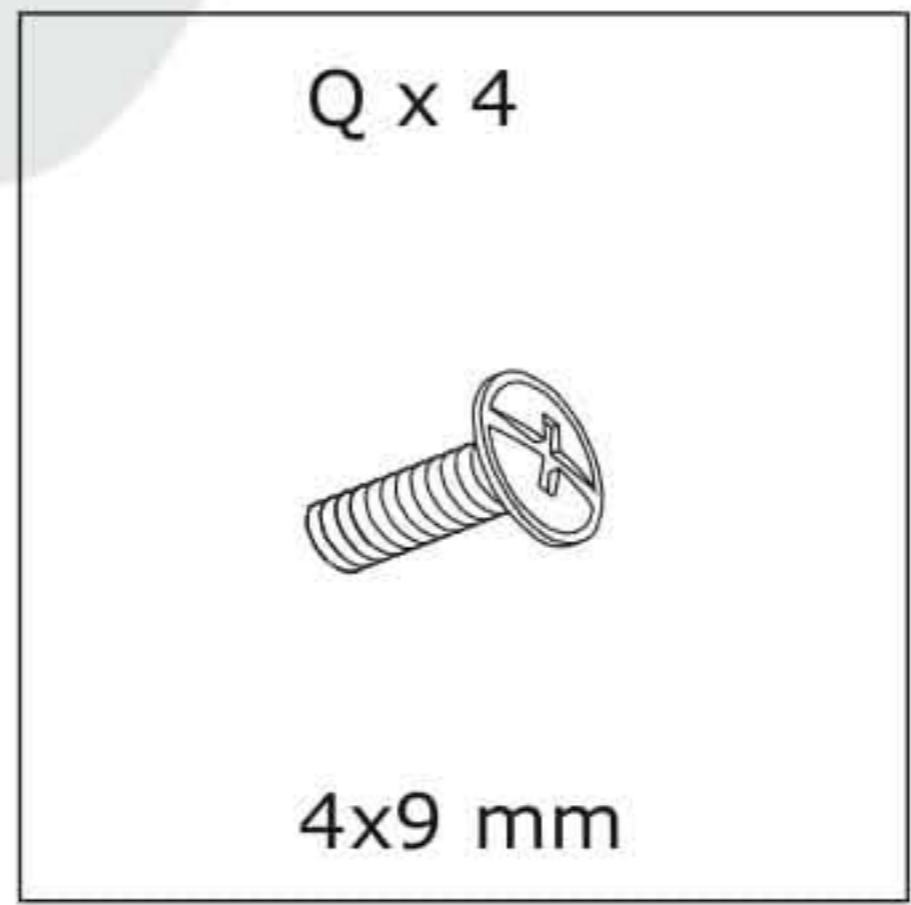
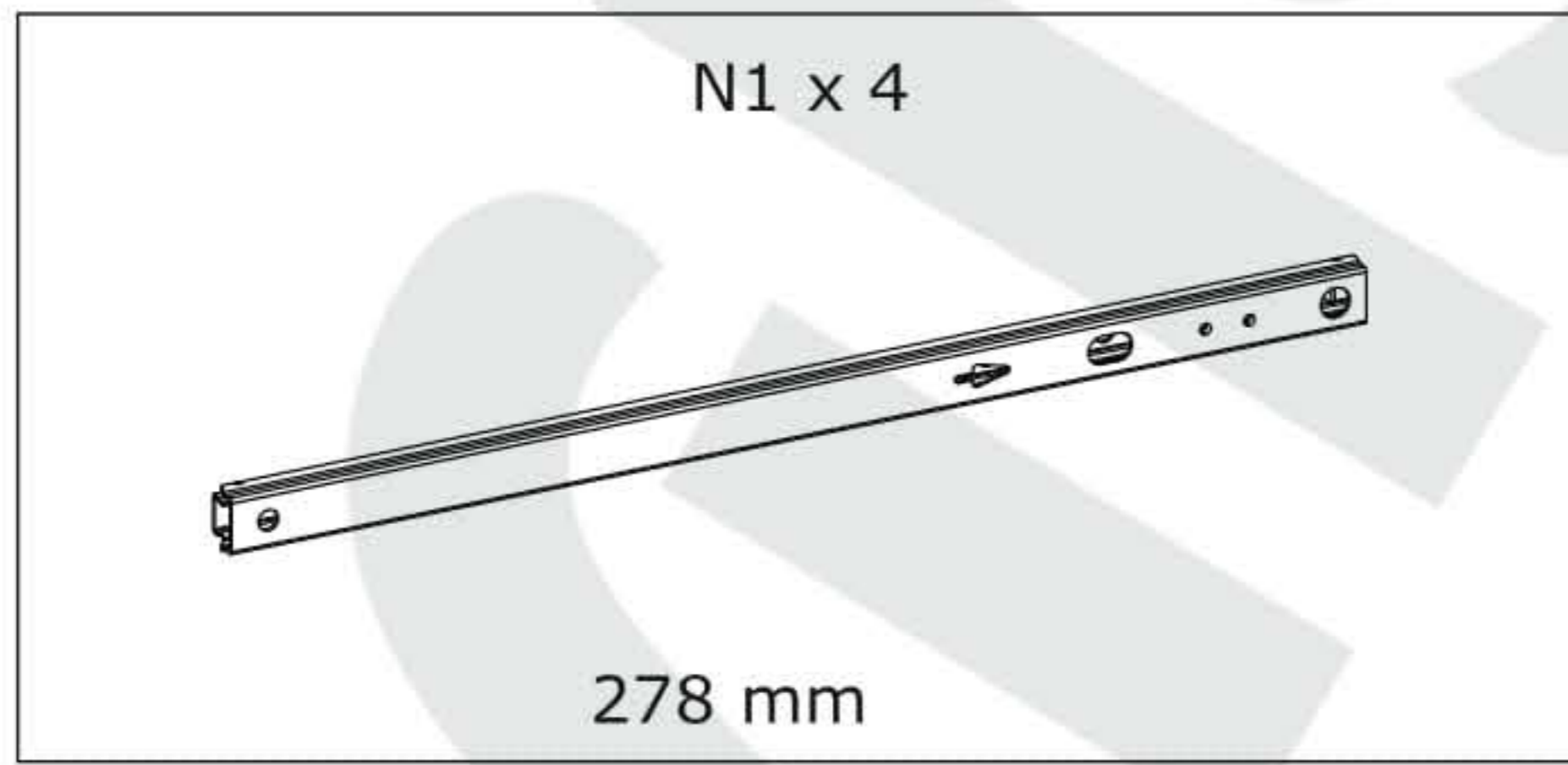
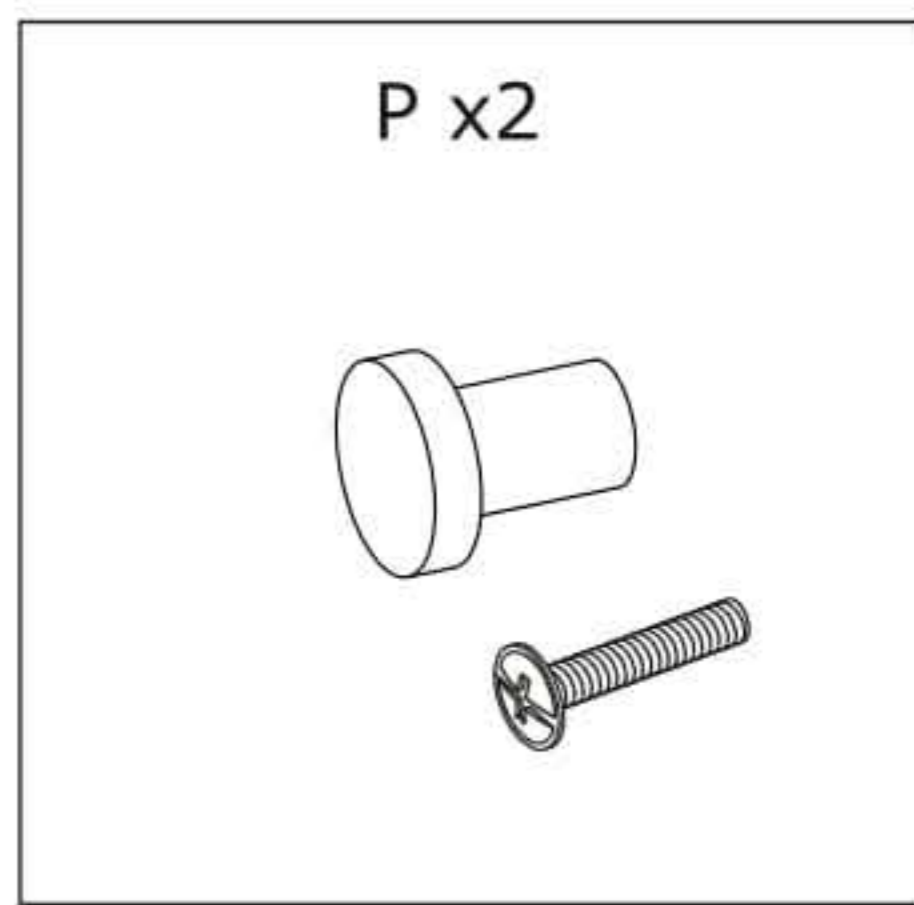
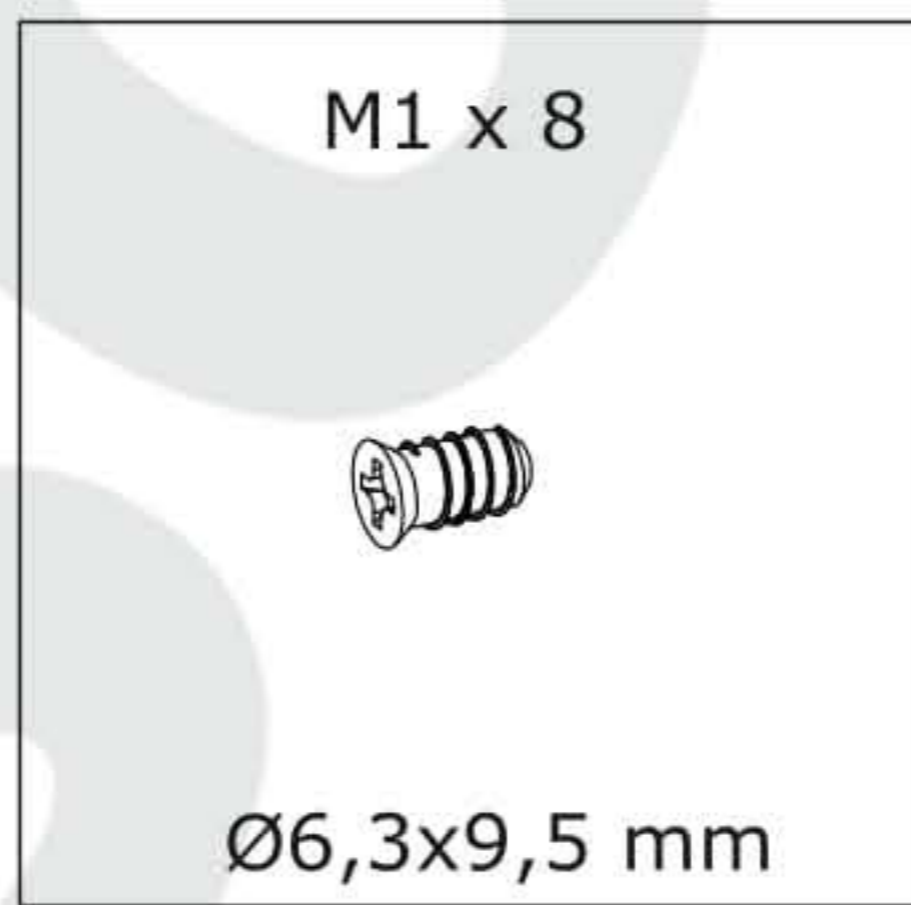
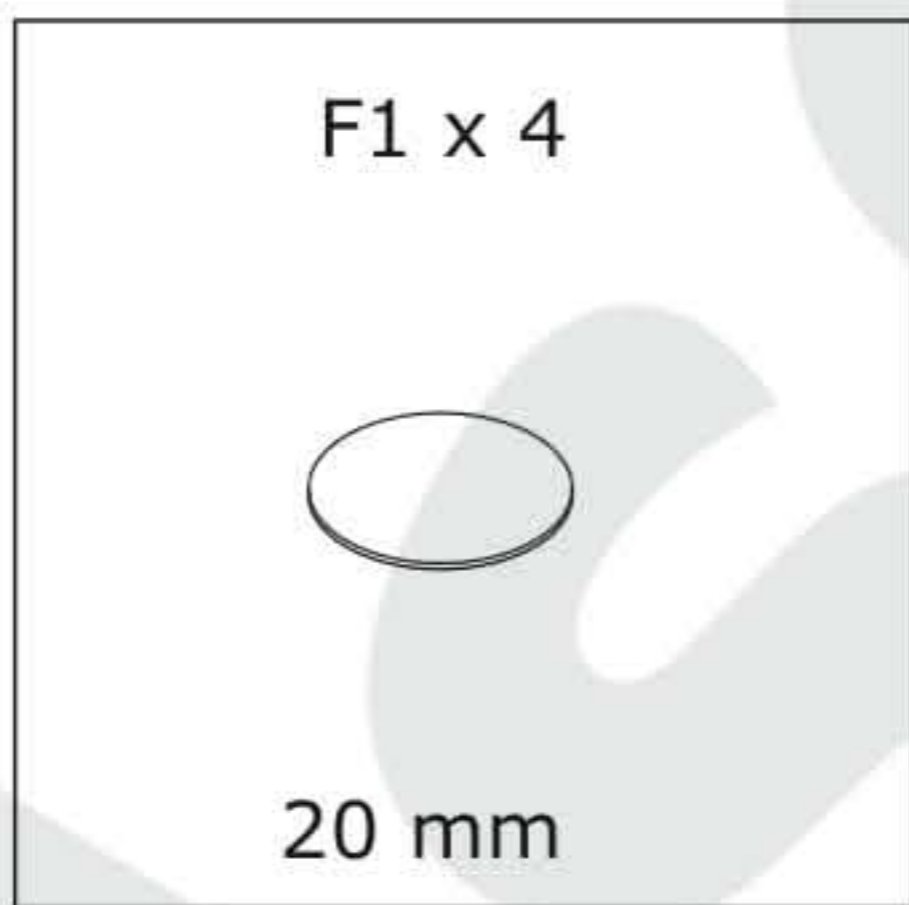
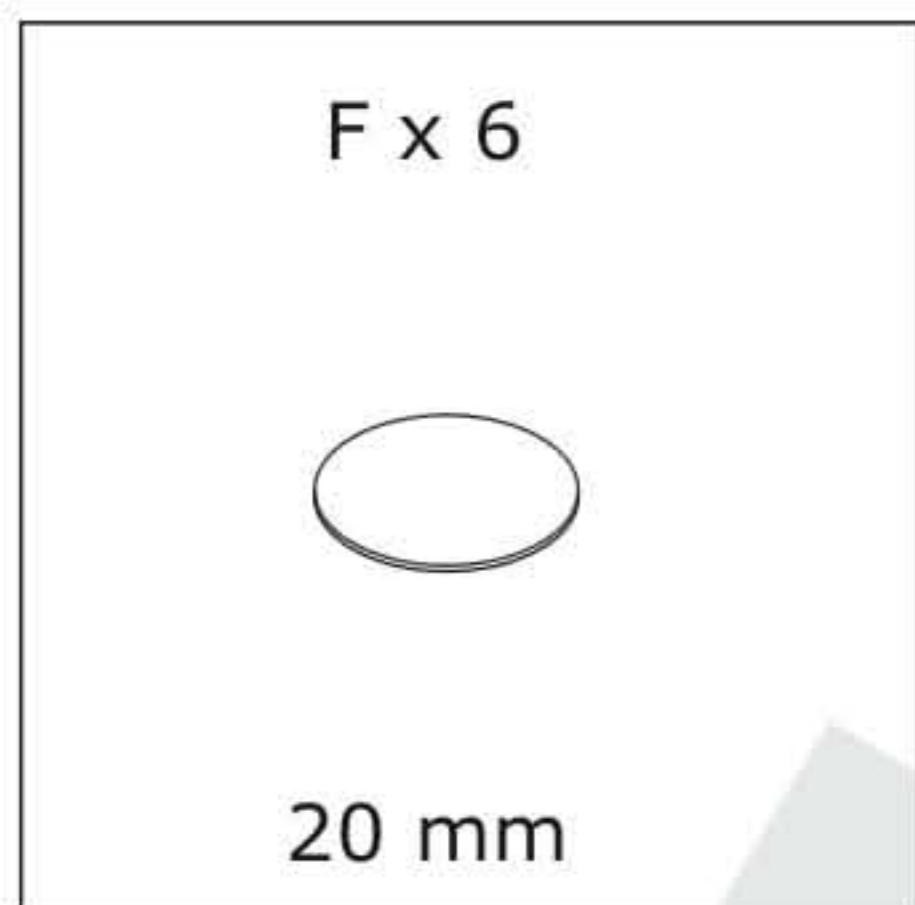
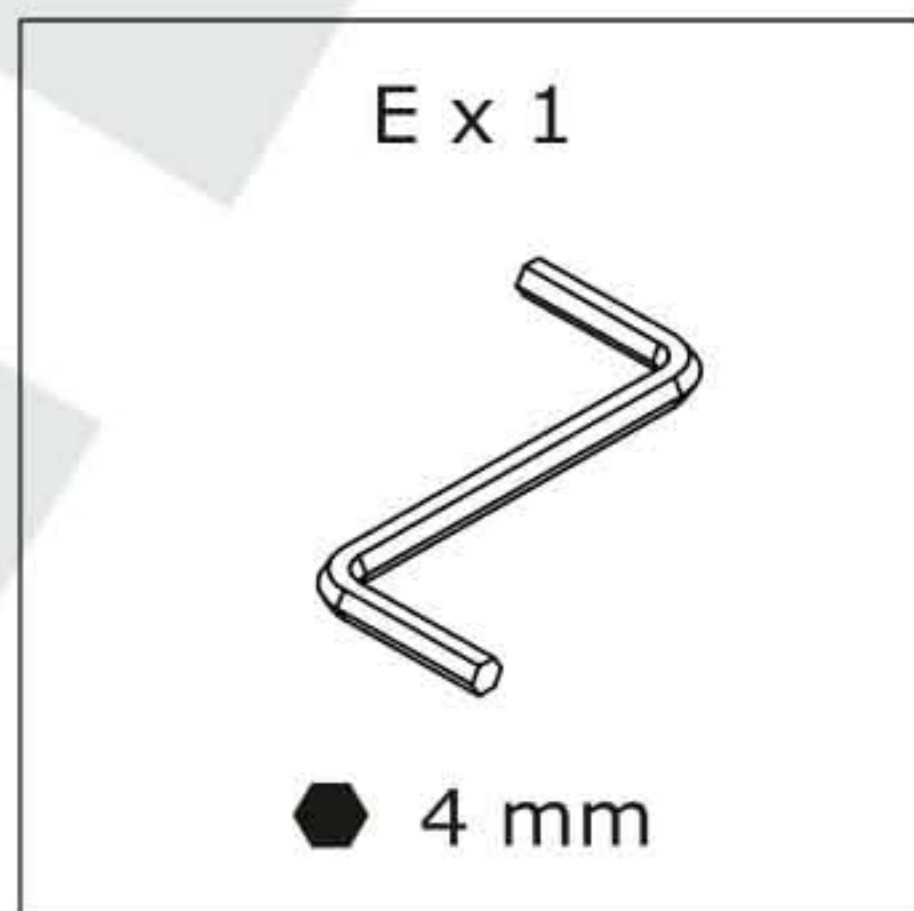
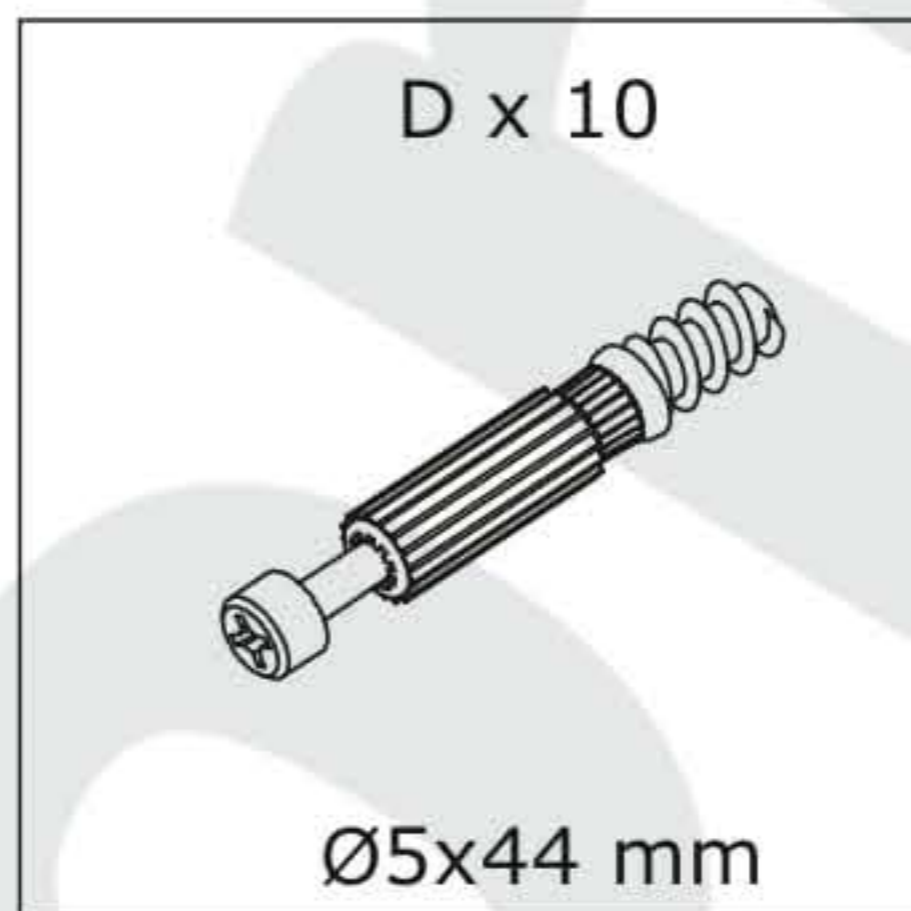
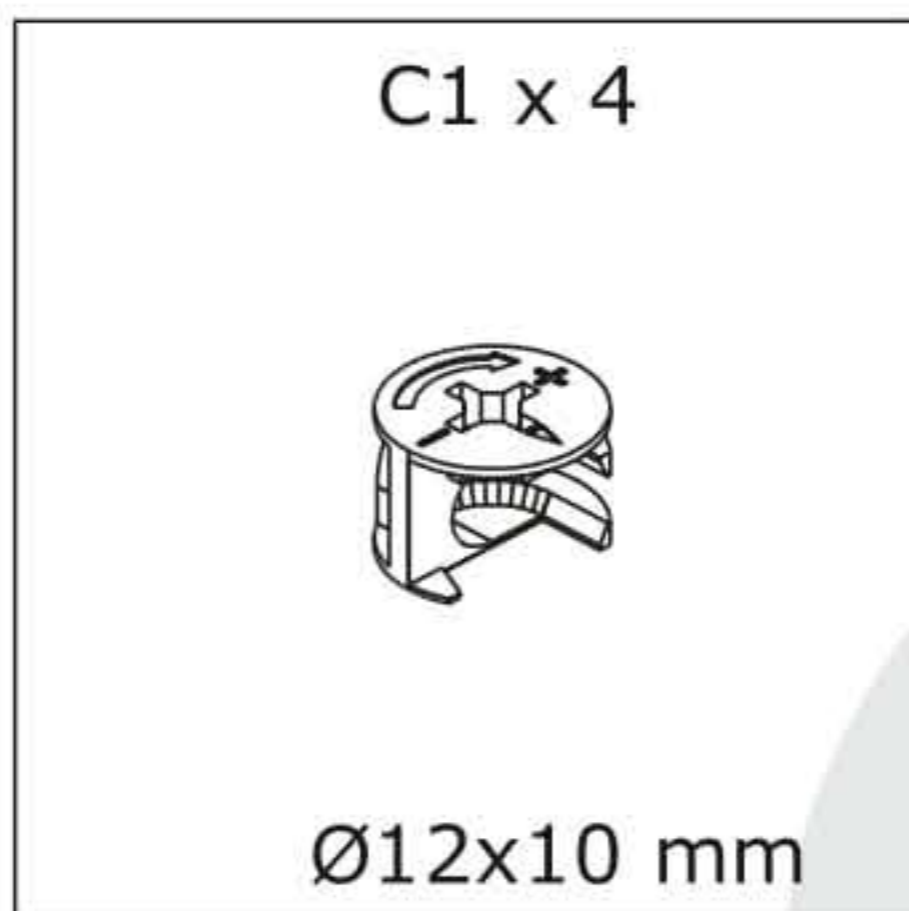
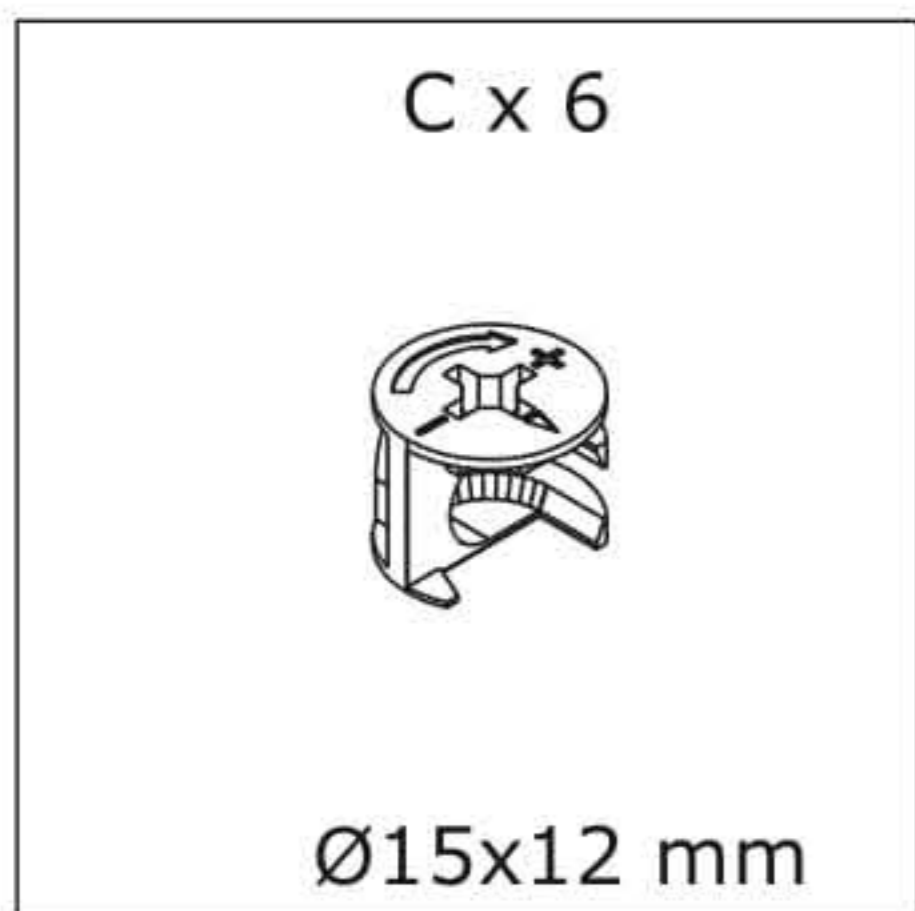
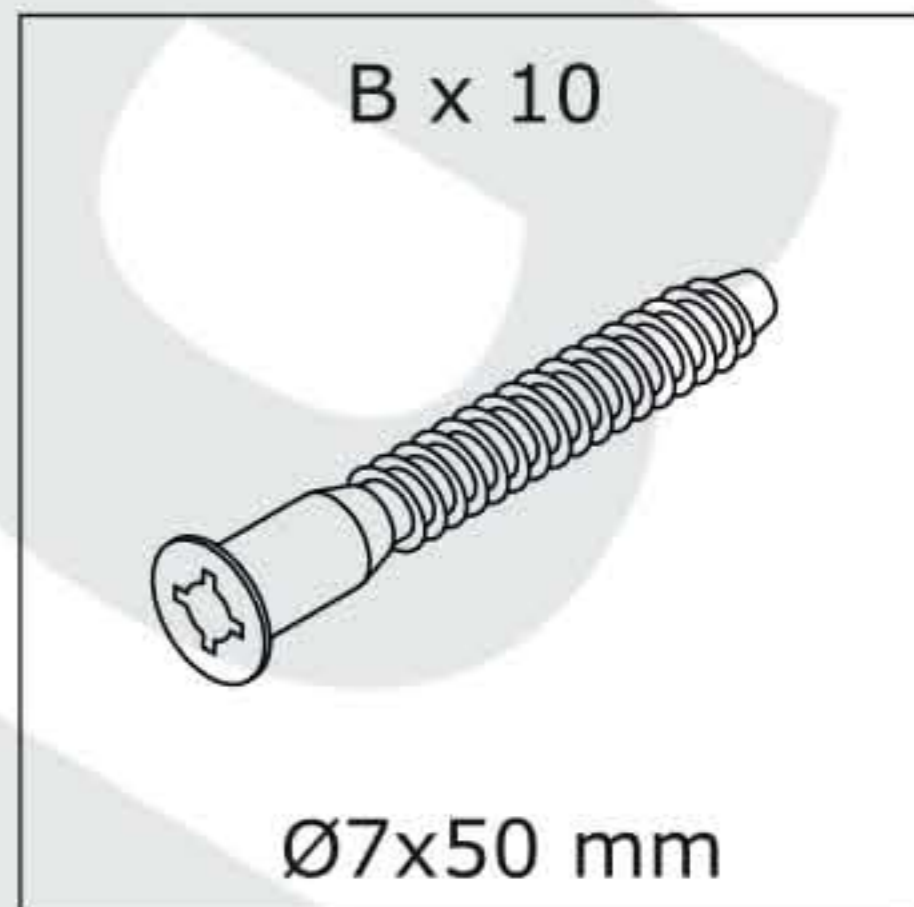
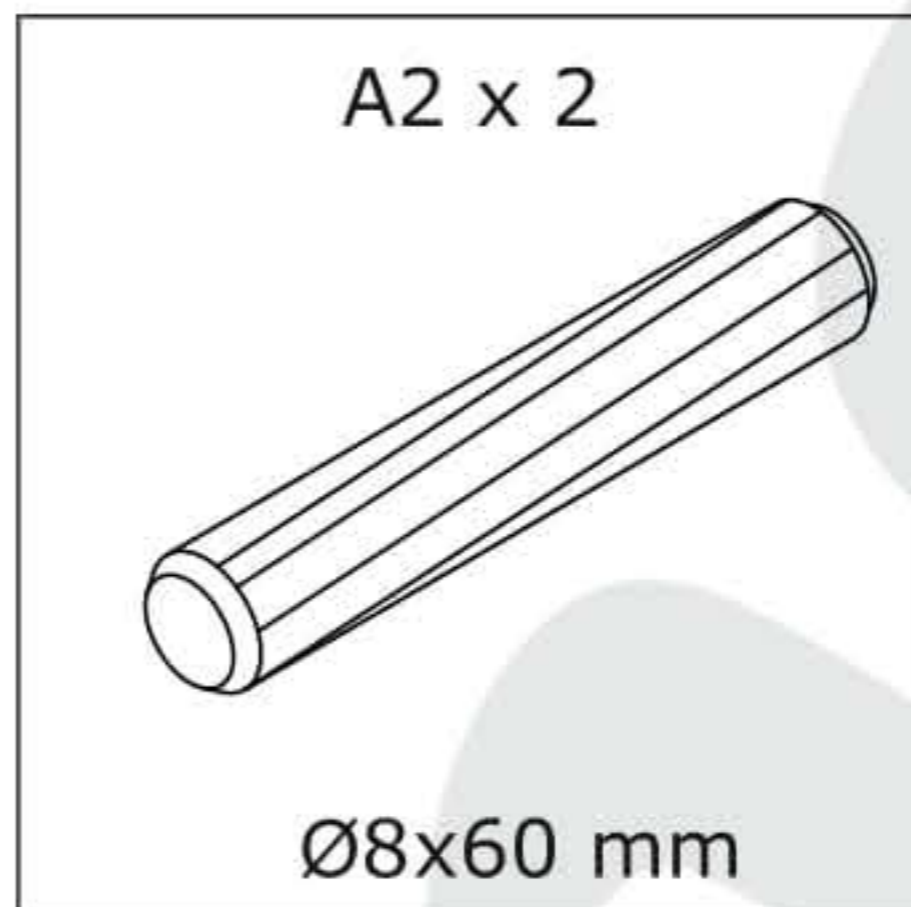
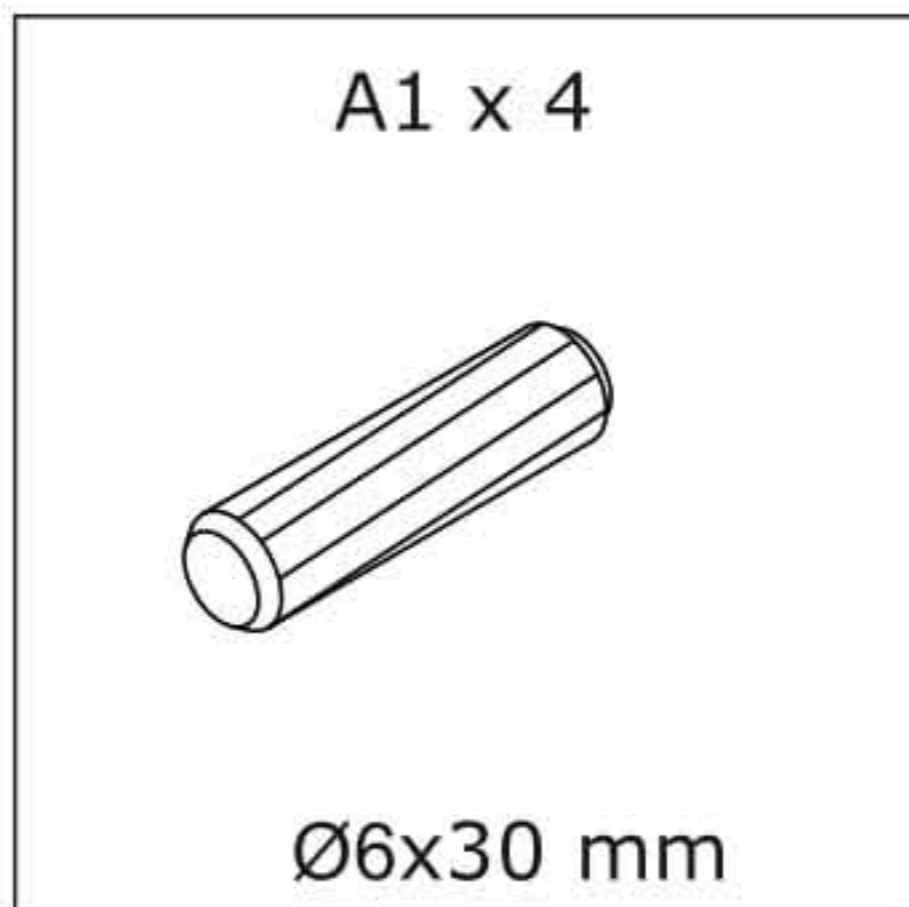
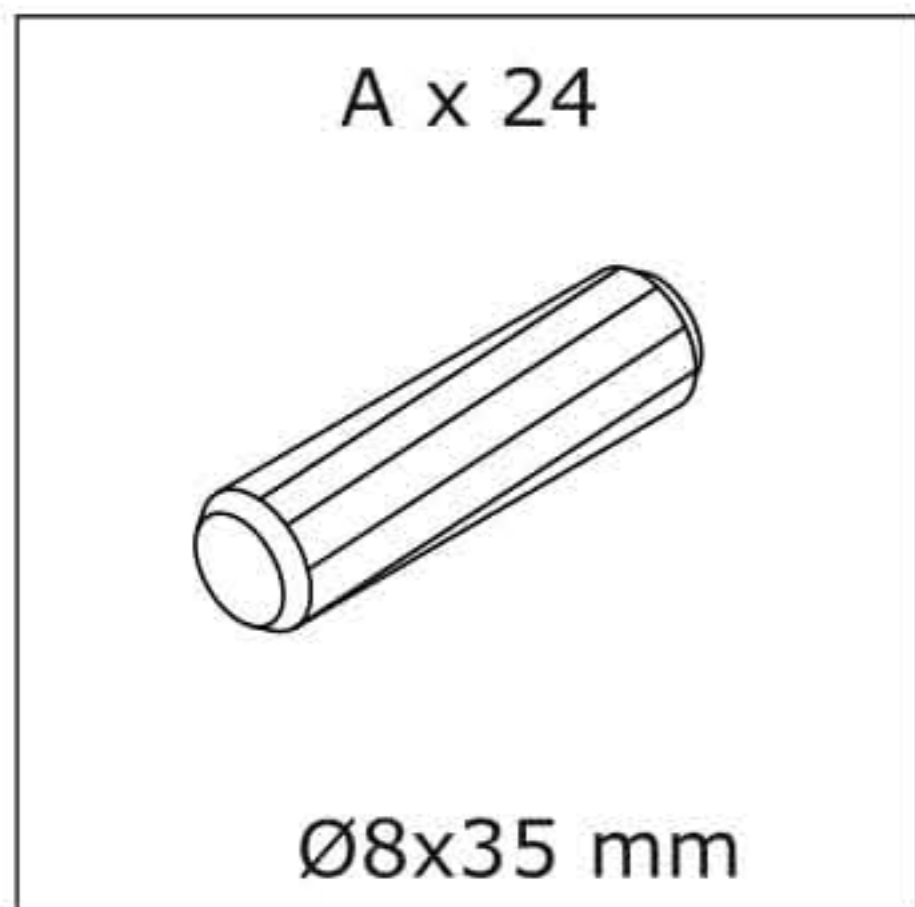
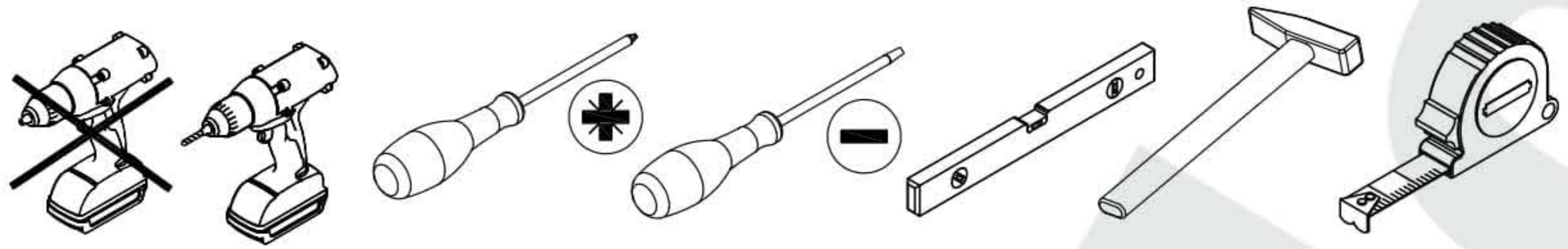
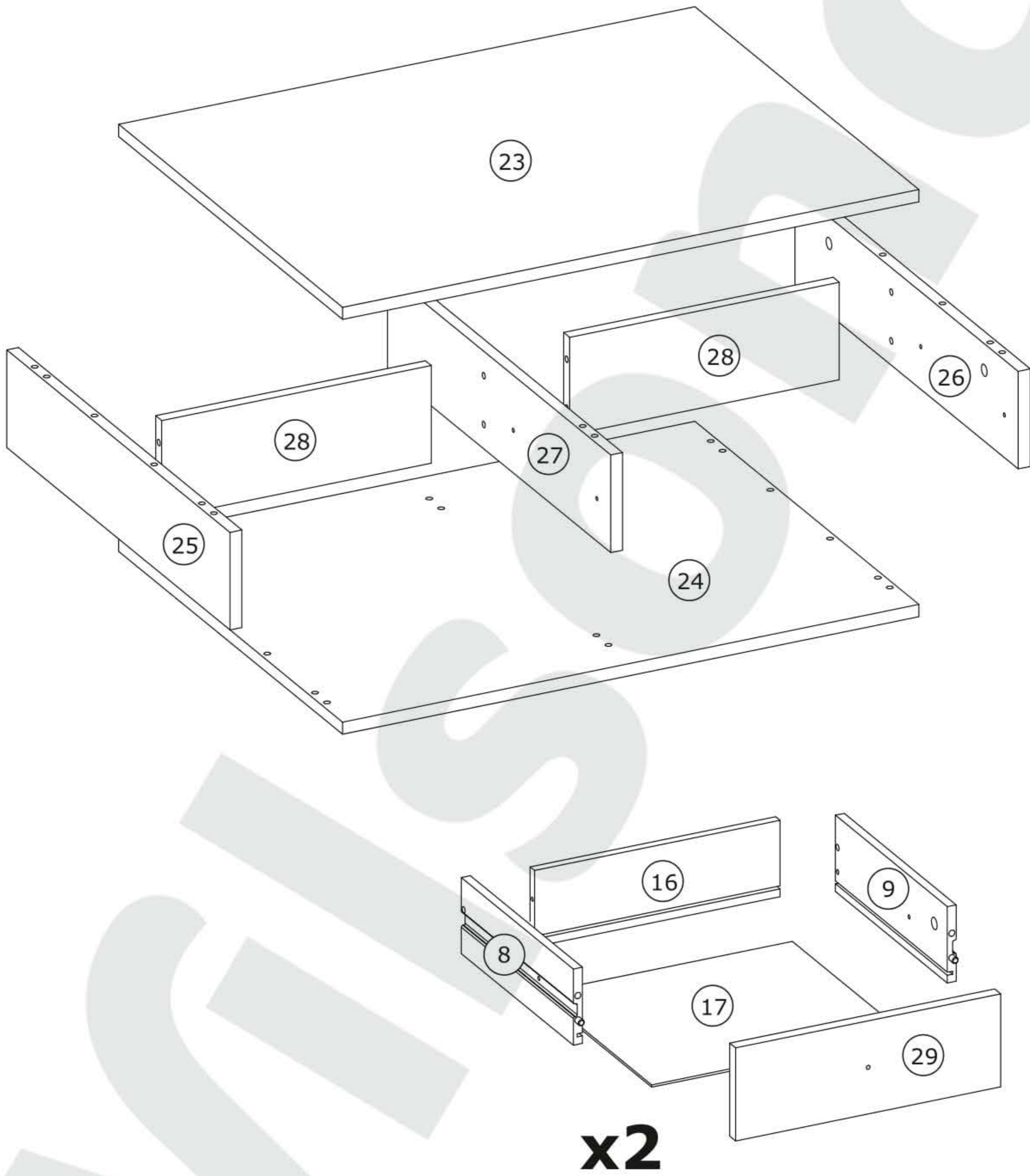


Linea 11

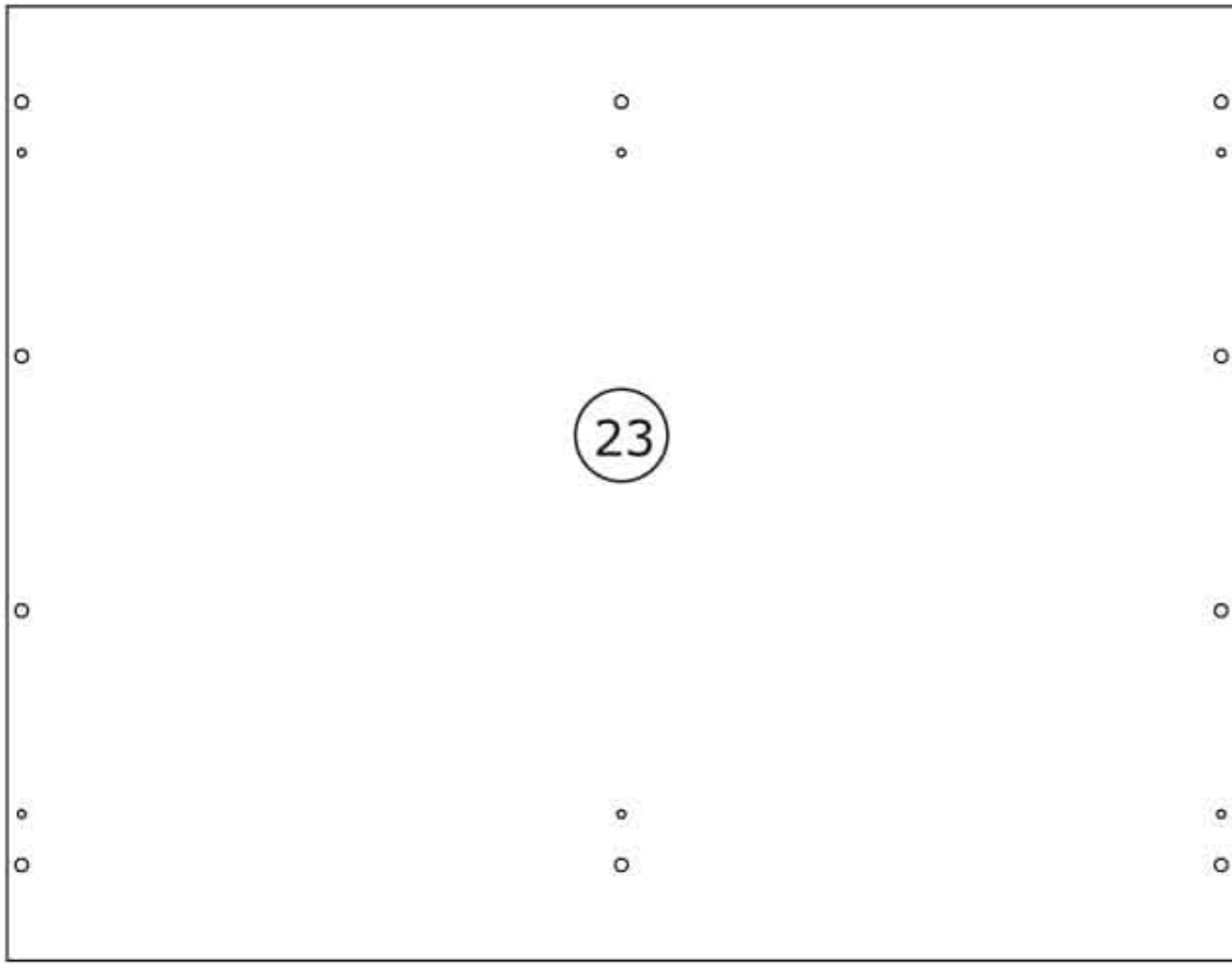
Coffee table 2S







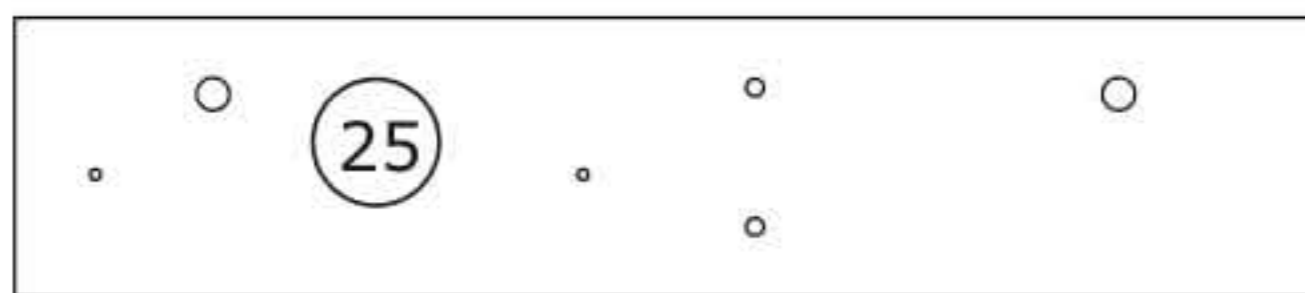
BOX 1/1:



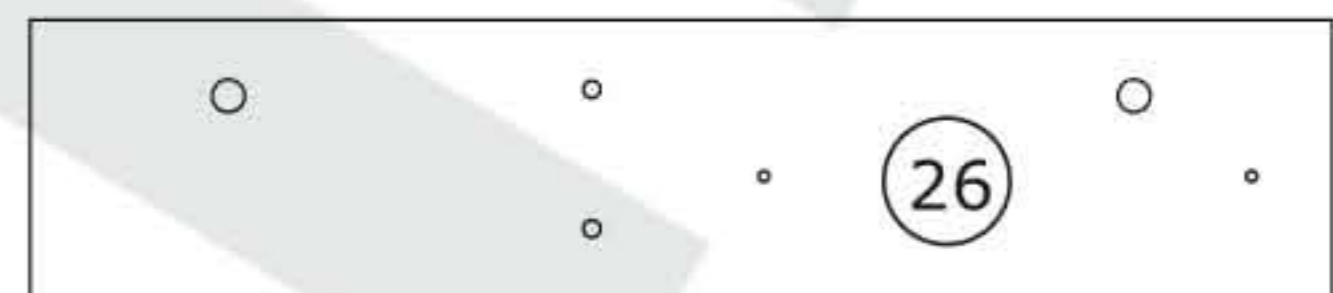
772x600x16 mm



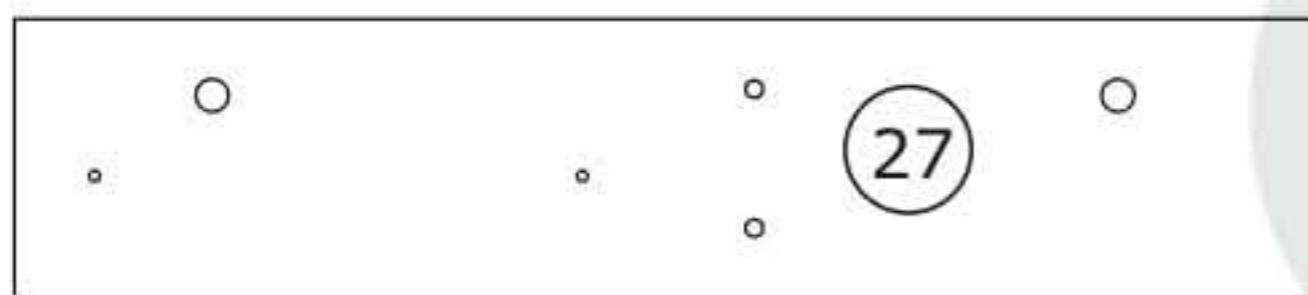
772x600x16 mm



128x598x16 mm



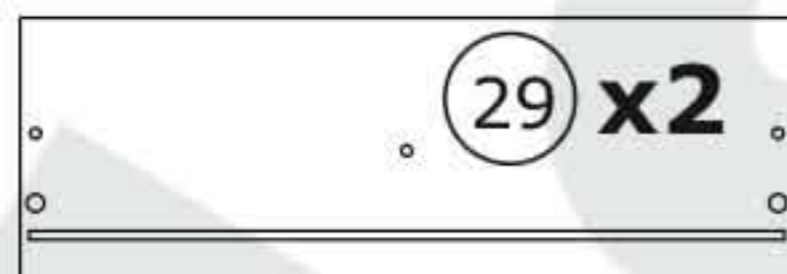
128x598x16 mm



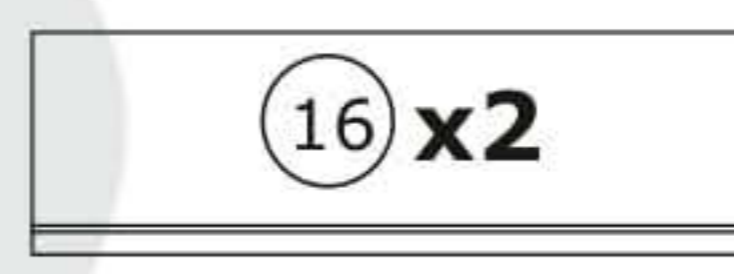
128x598x16 mm



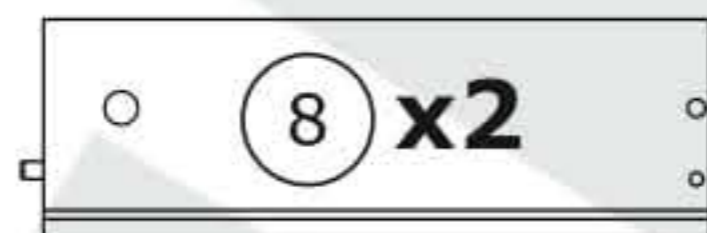
361x128x16 mm



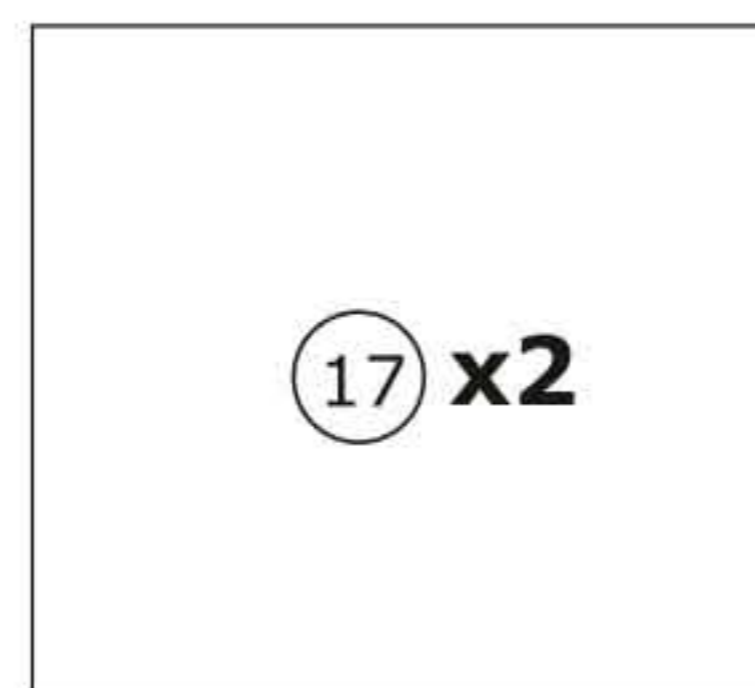
355x122x16 mm



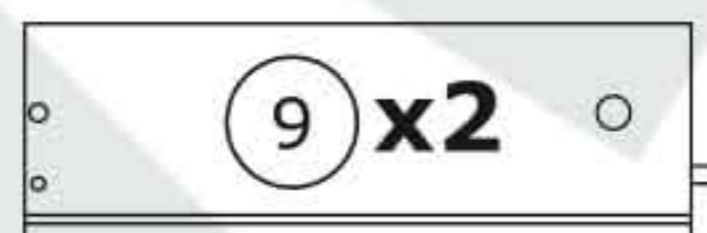
329x100x12 mm



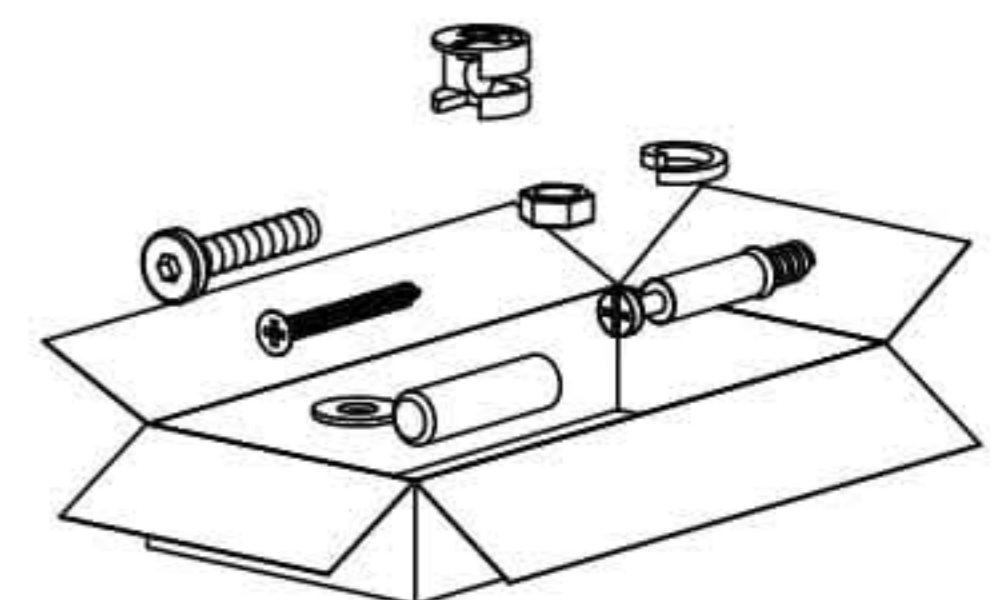
300x100x12 mm



339x301x2,5 mm



300x100x12 mm

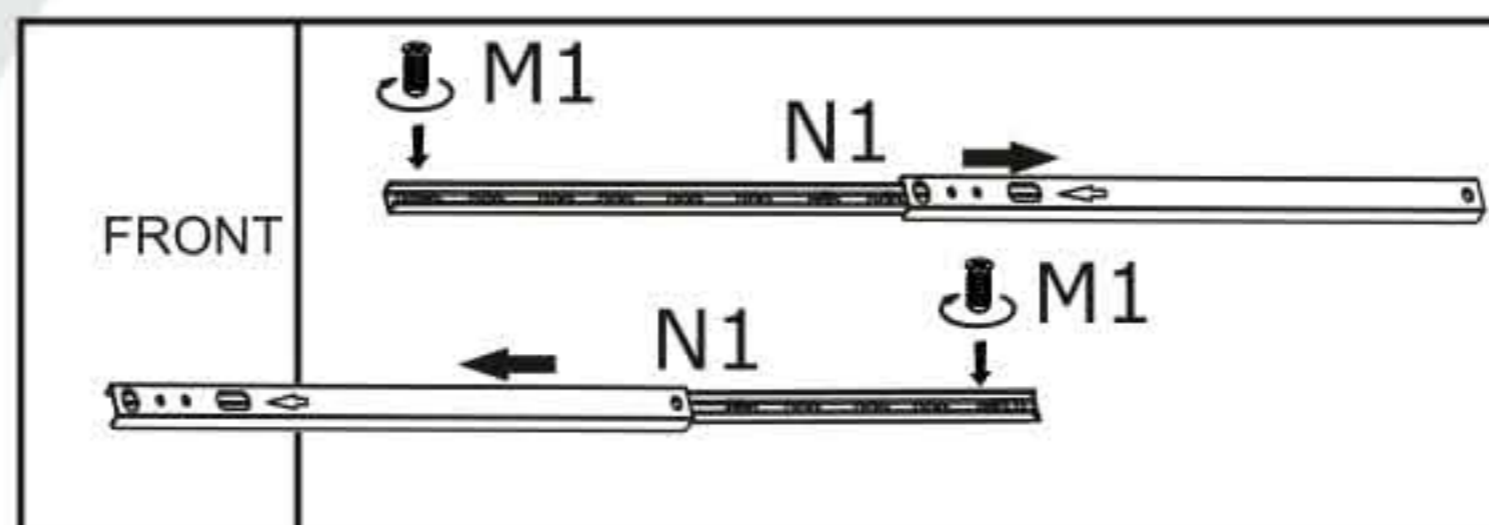
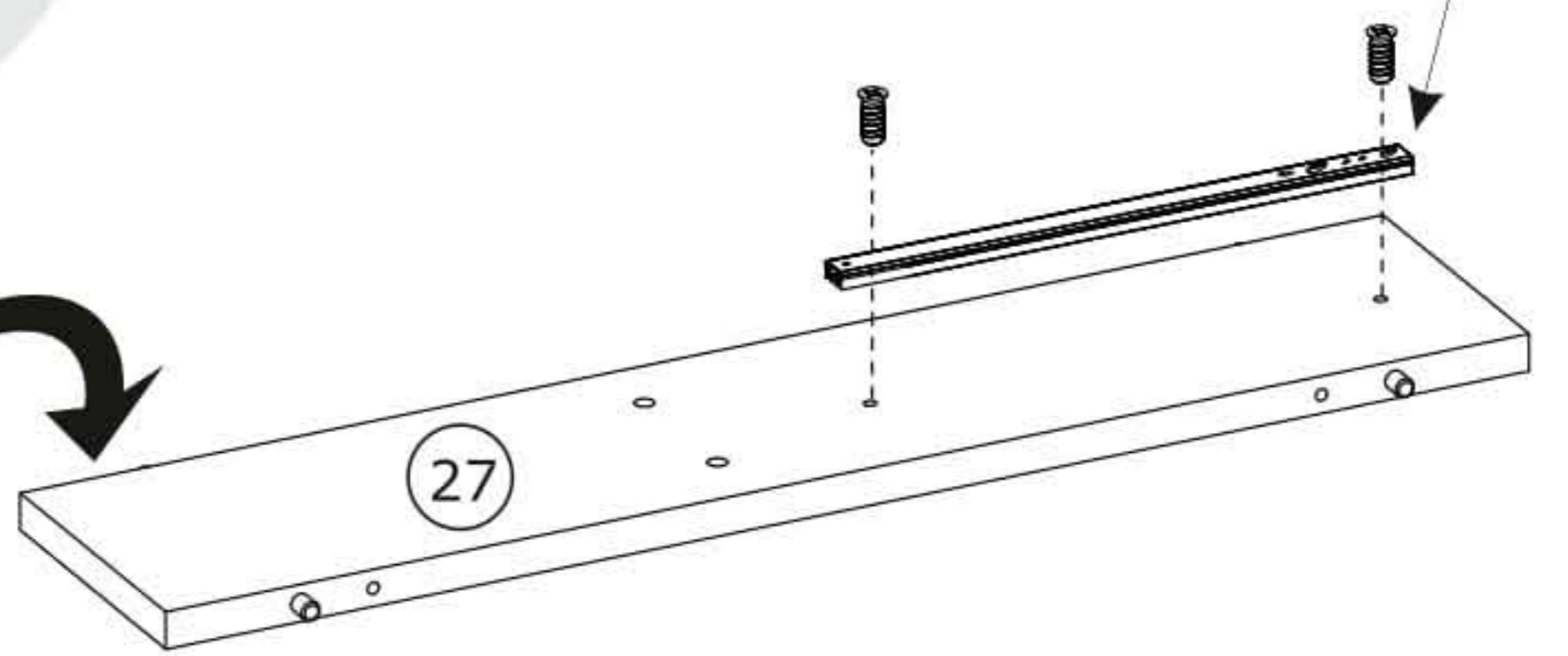
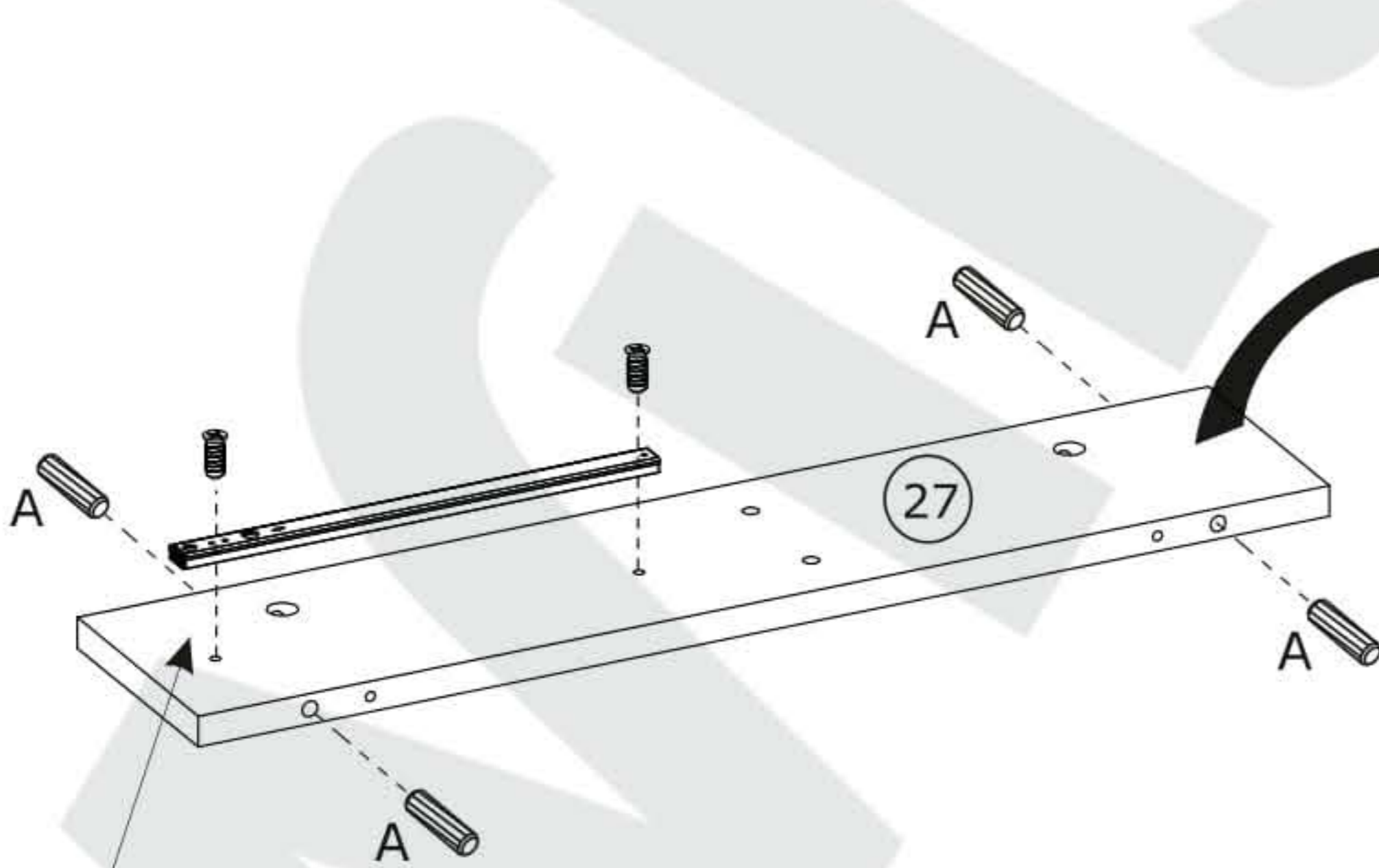
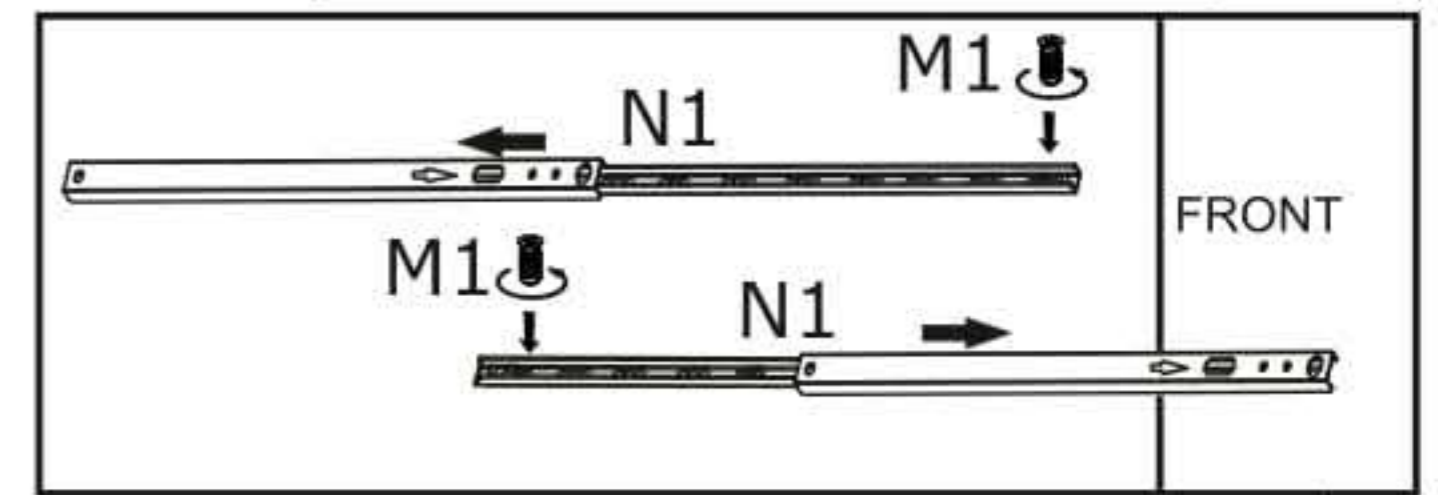
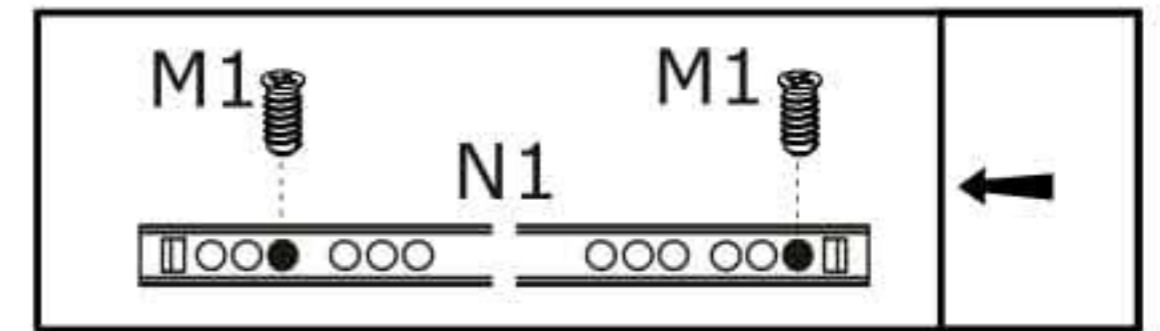
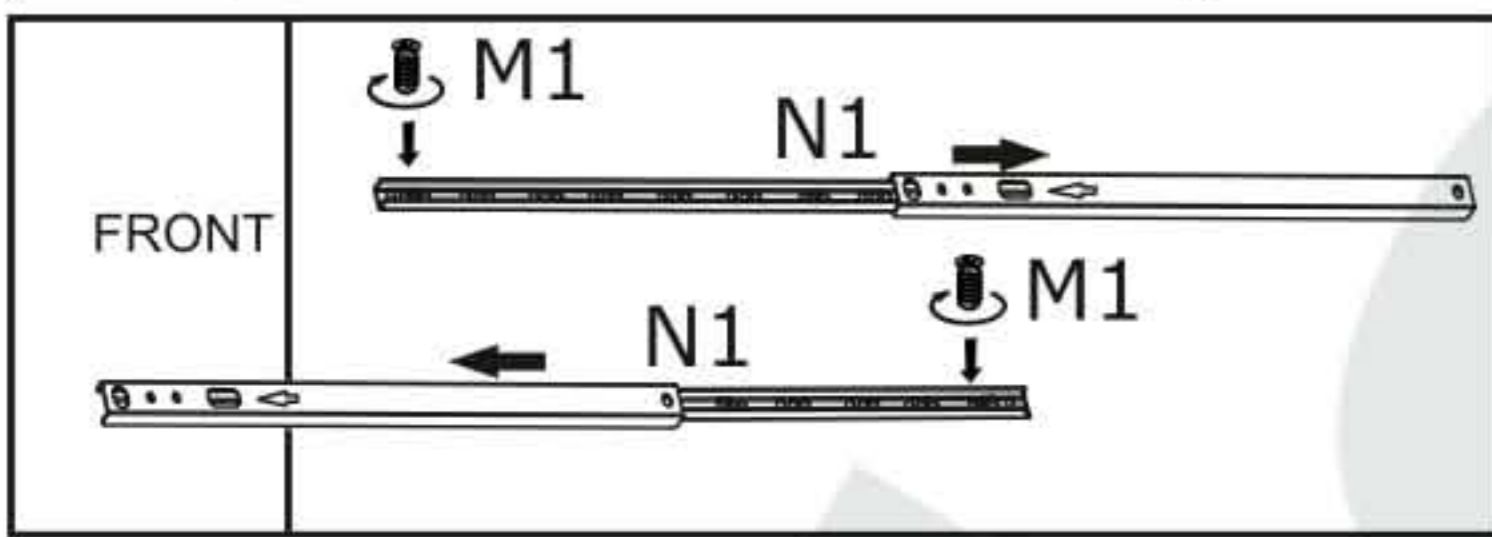
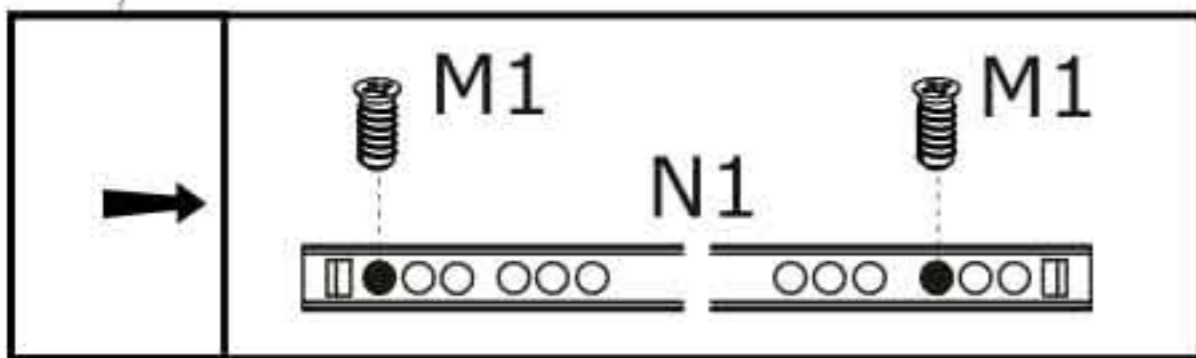
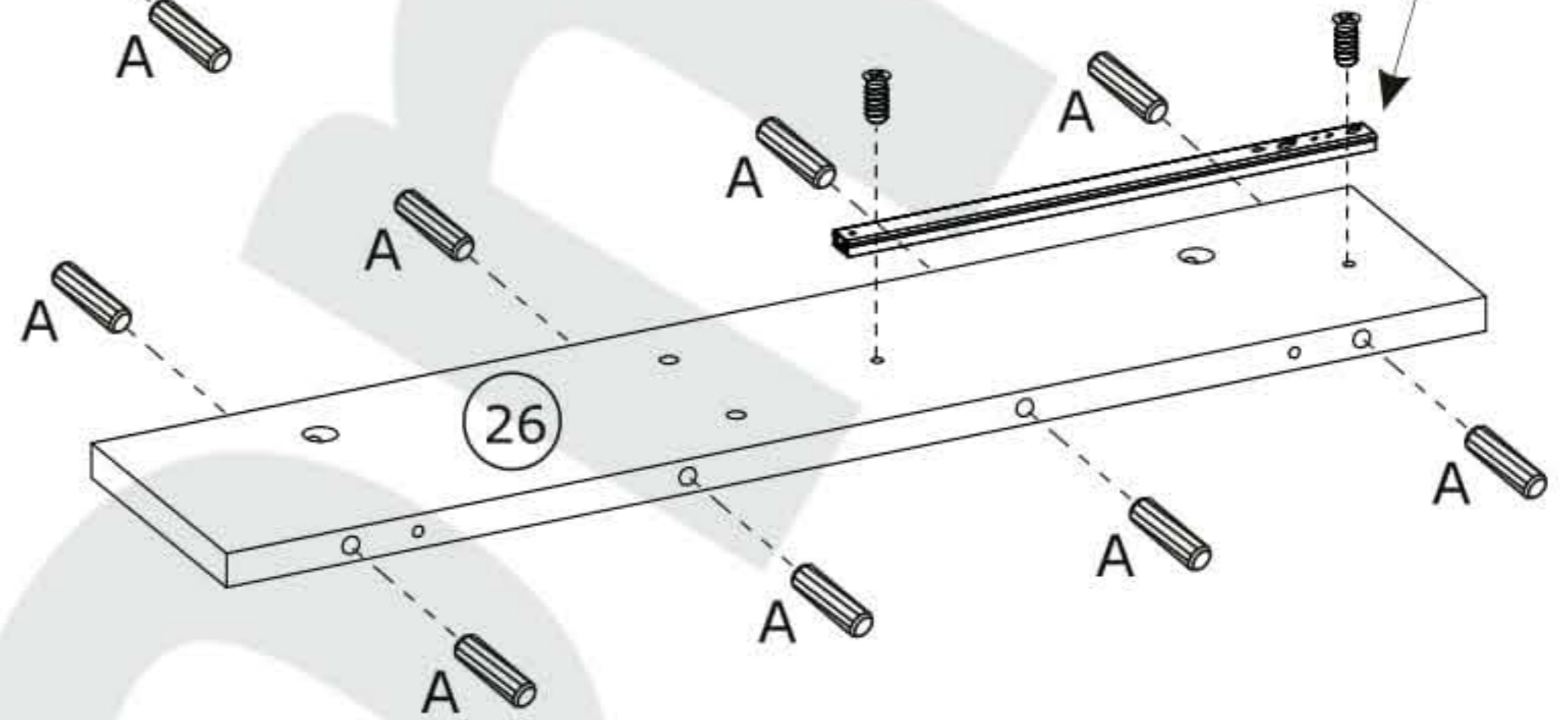
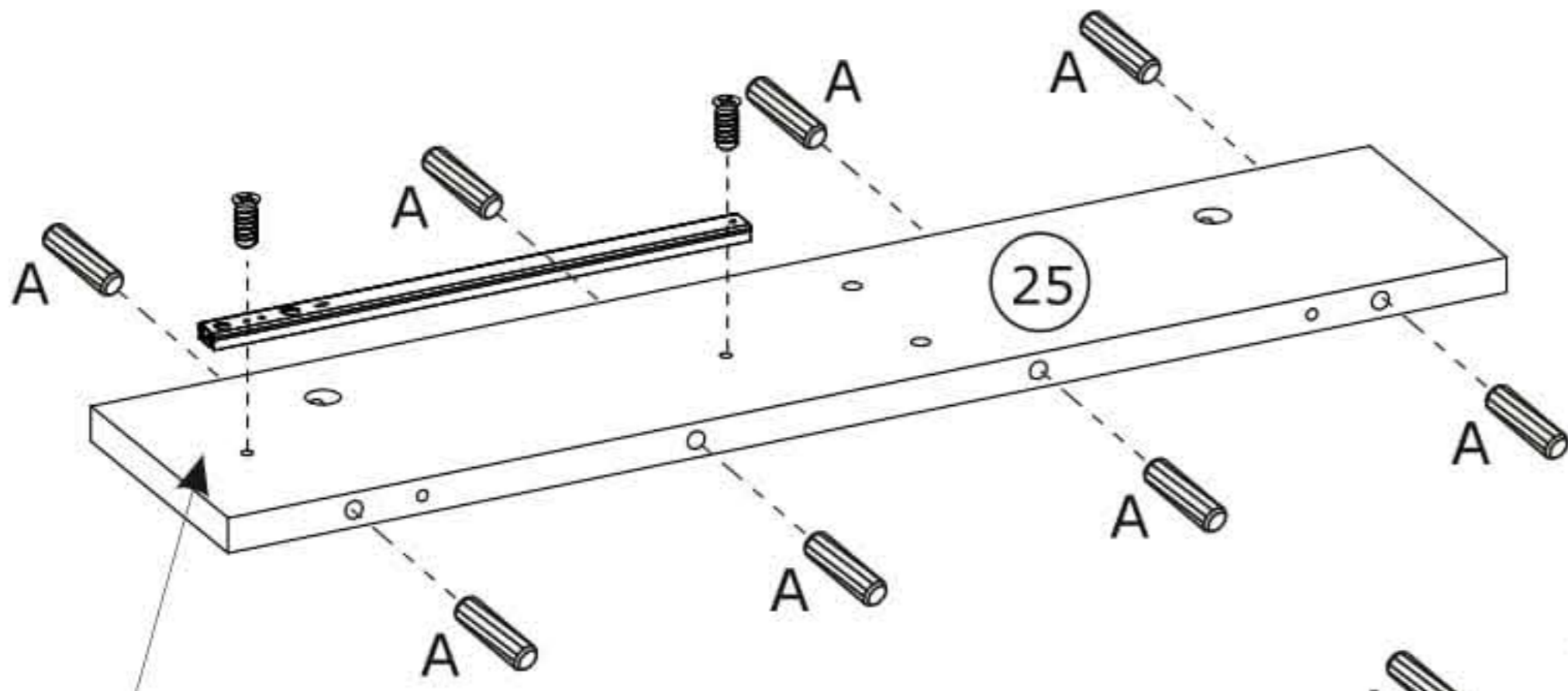
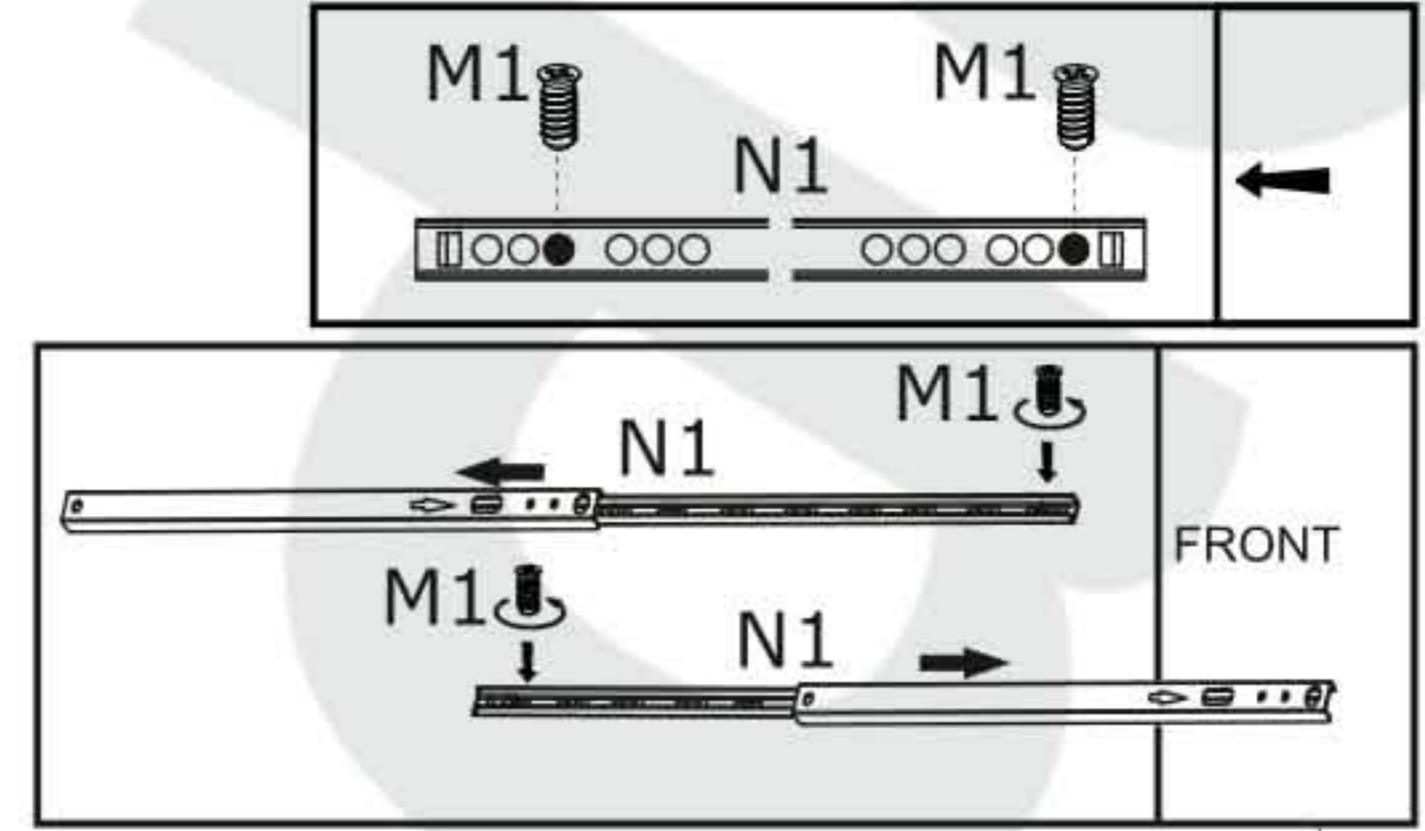
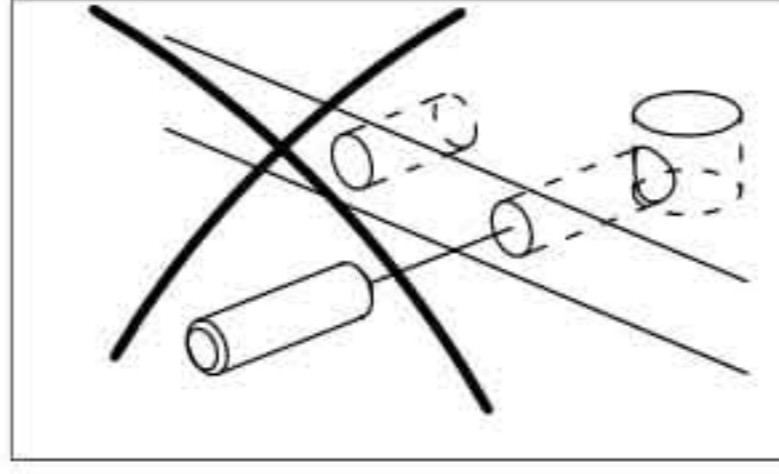
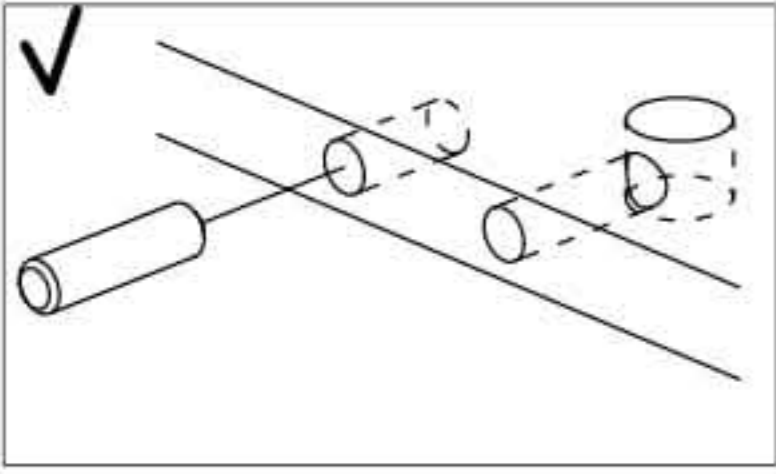
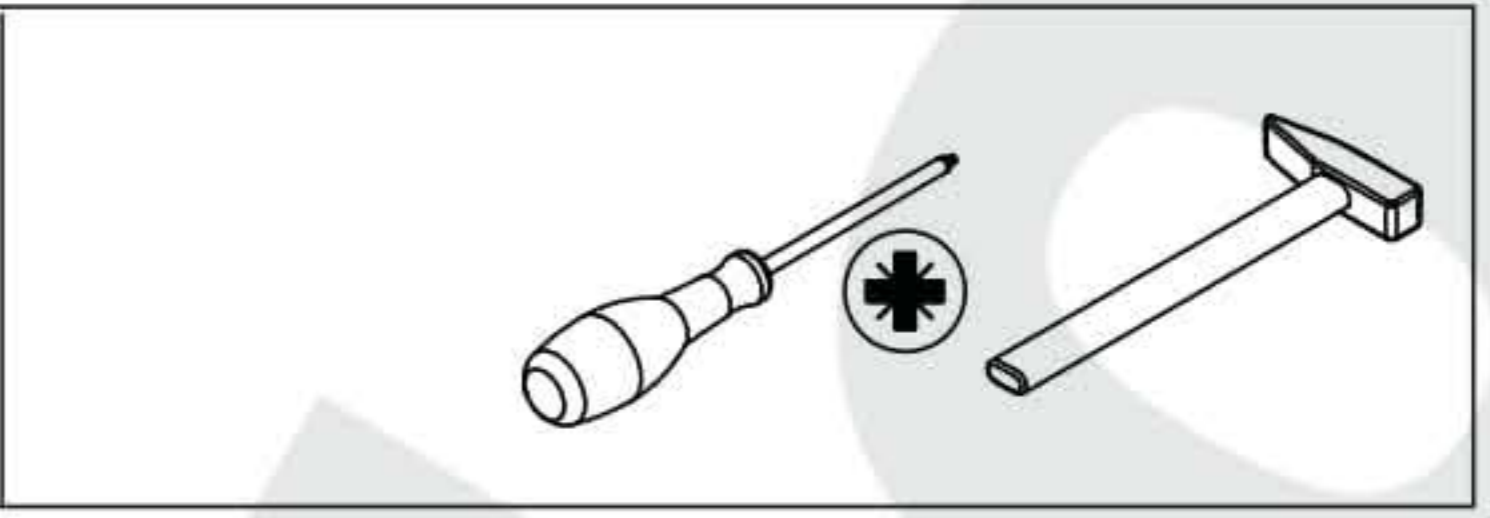


1

A x 20
Ø8x35 mm

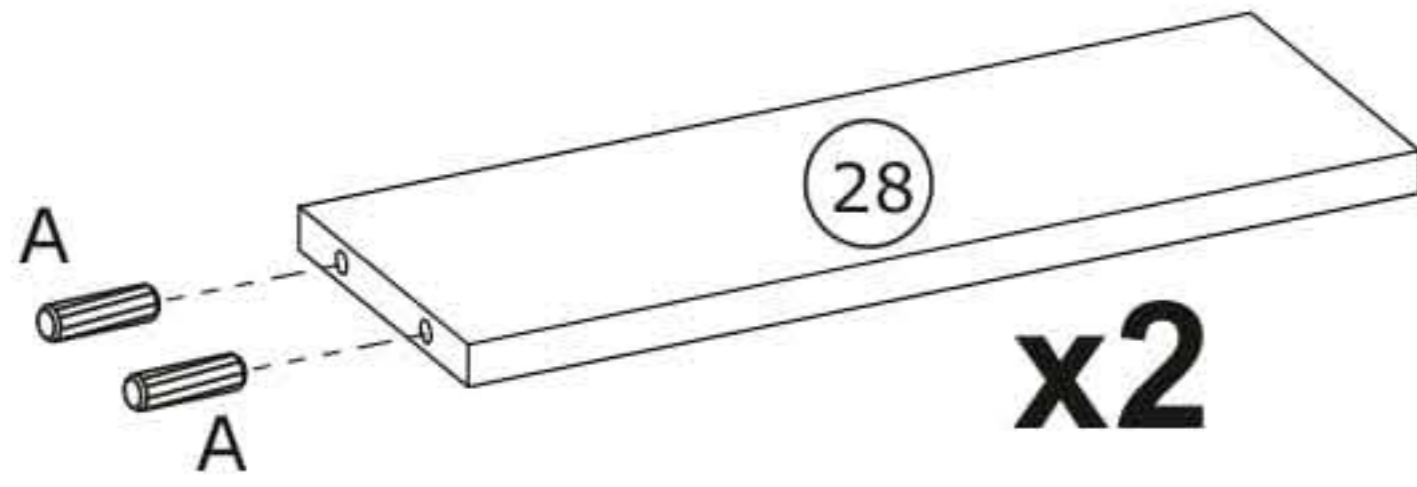
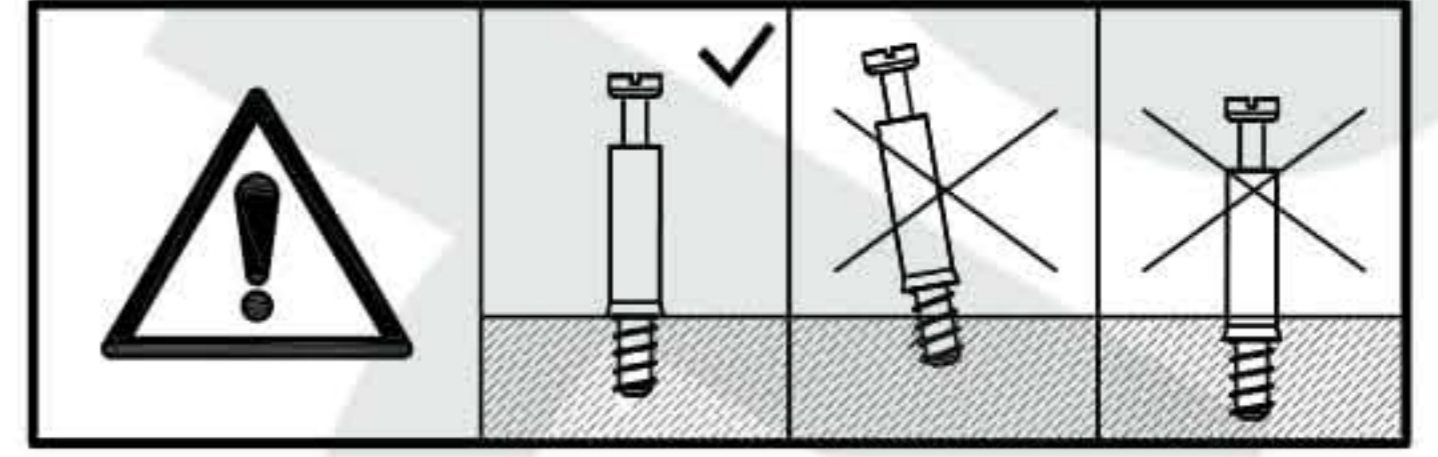
M1 x 8
Ø6,3x9,5 mm

N1 x 4
278 mm

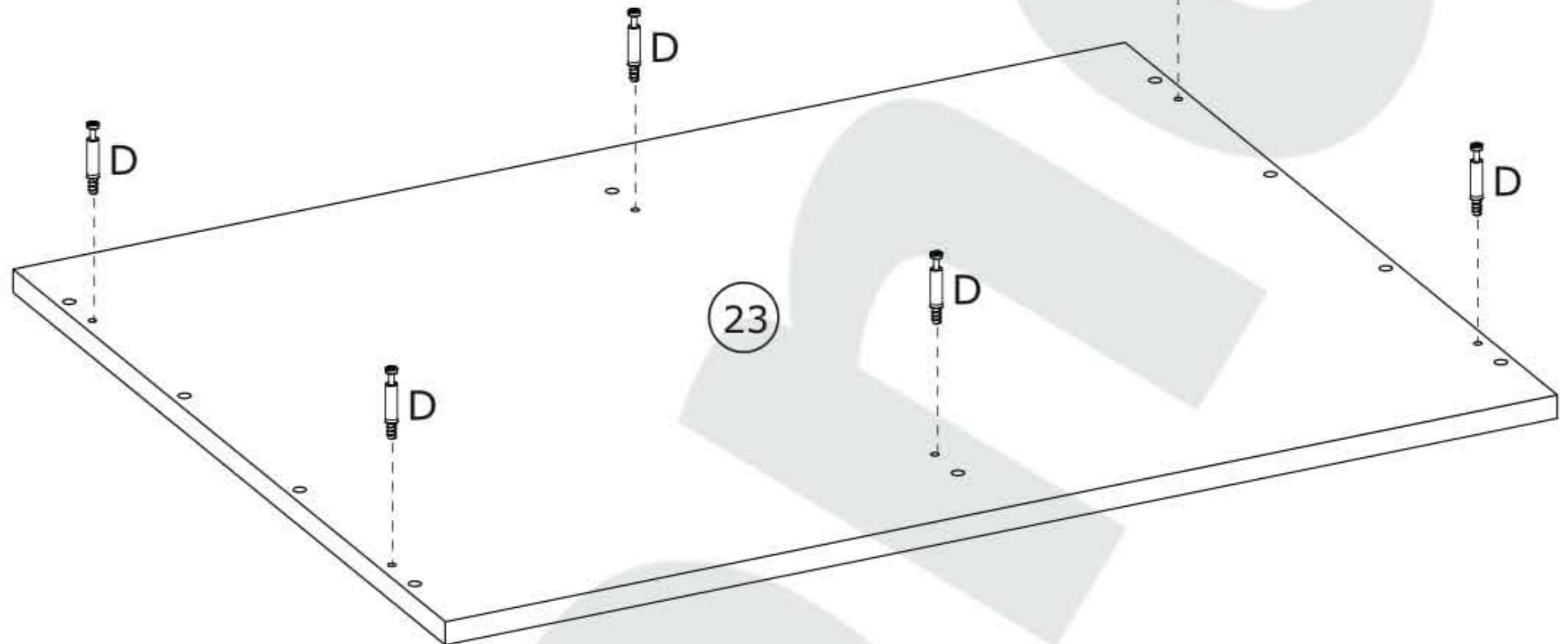


2

A x 4  Ø8x35 mm	D x 6  Ø5x44 mm	
--	--	---

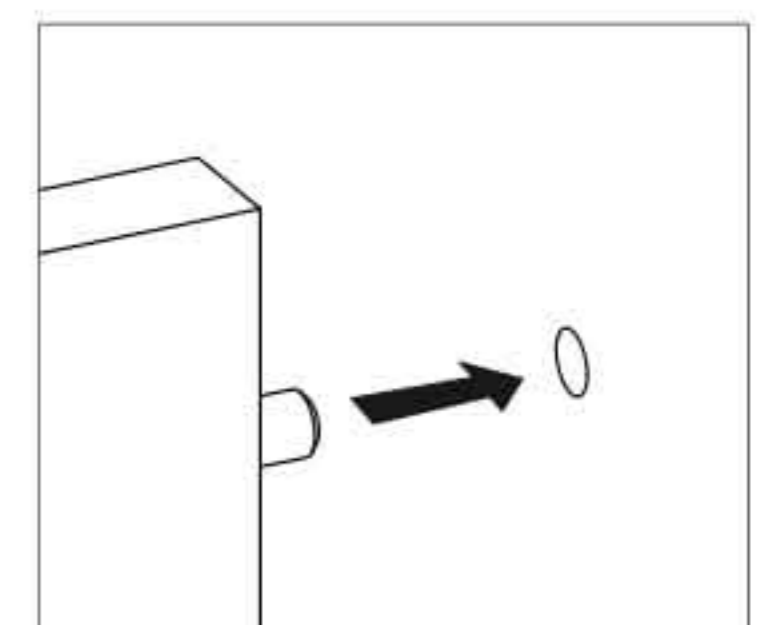
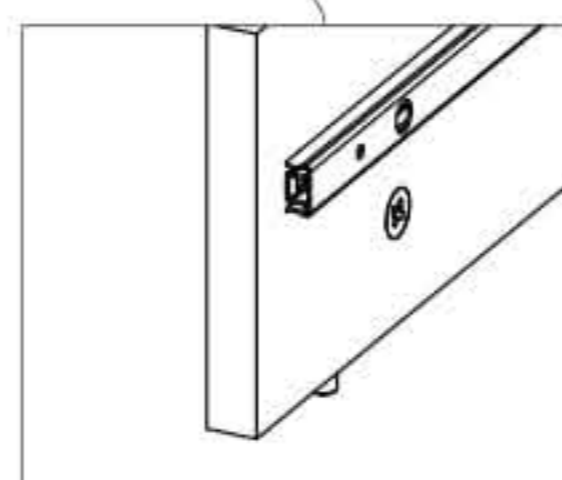
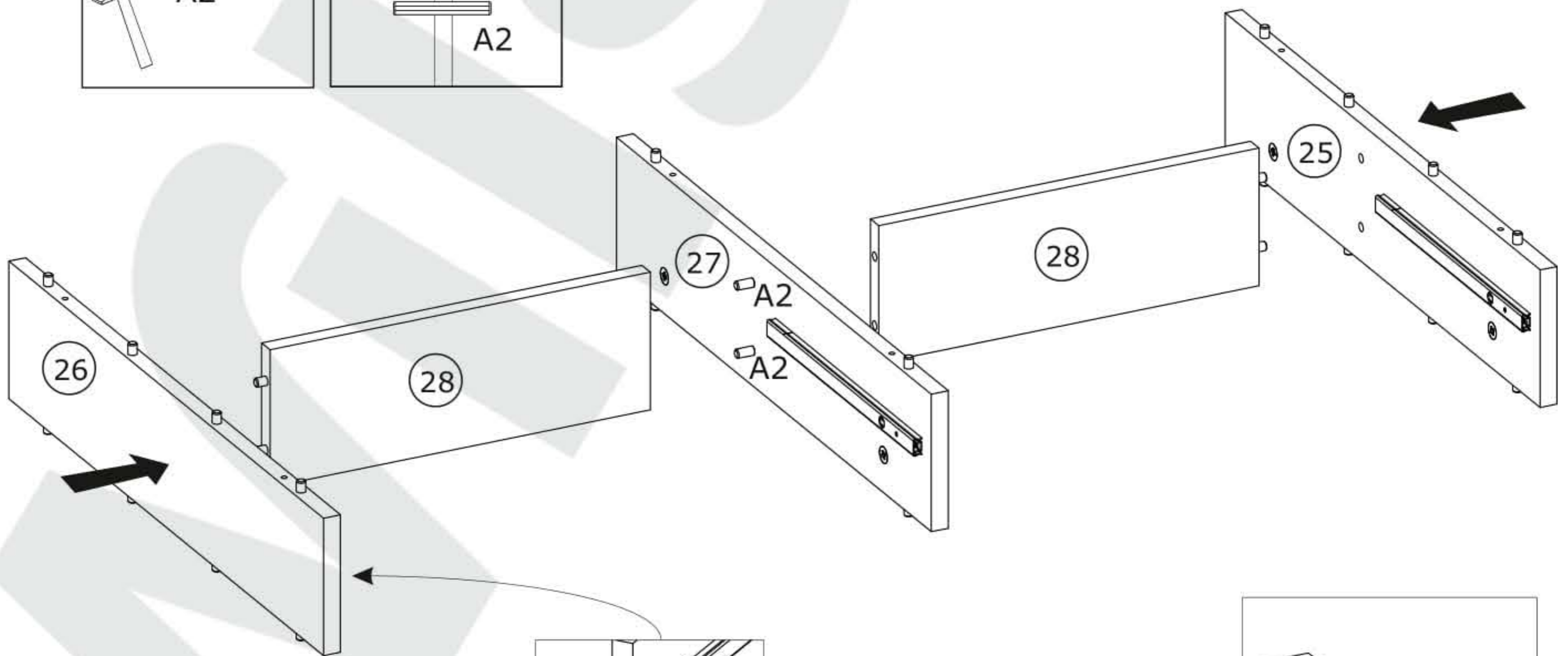
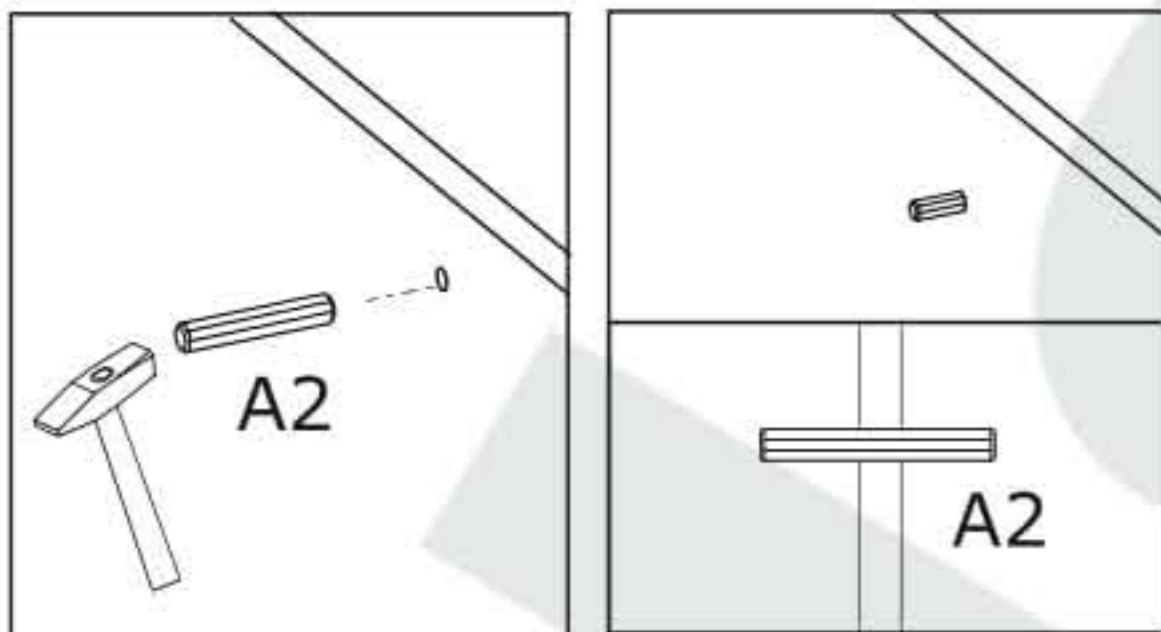


x2



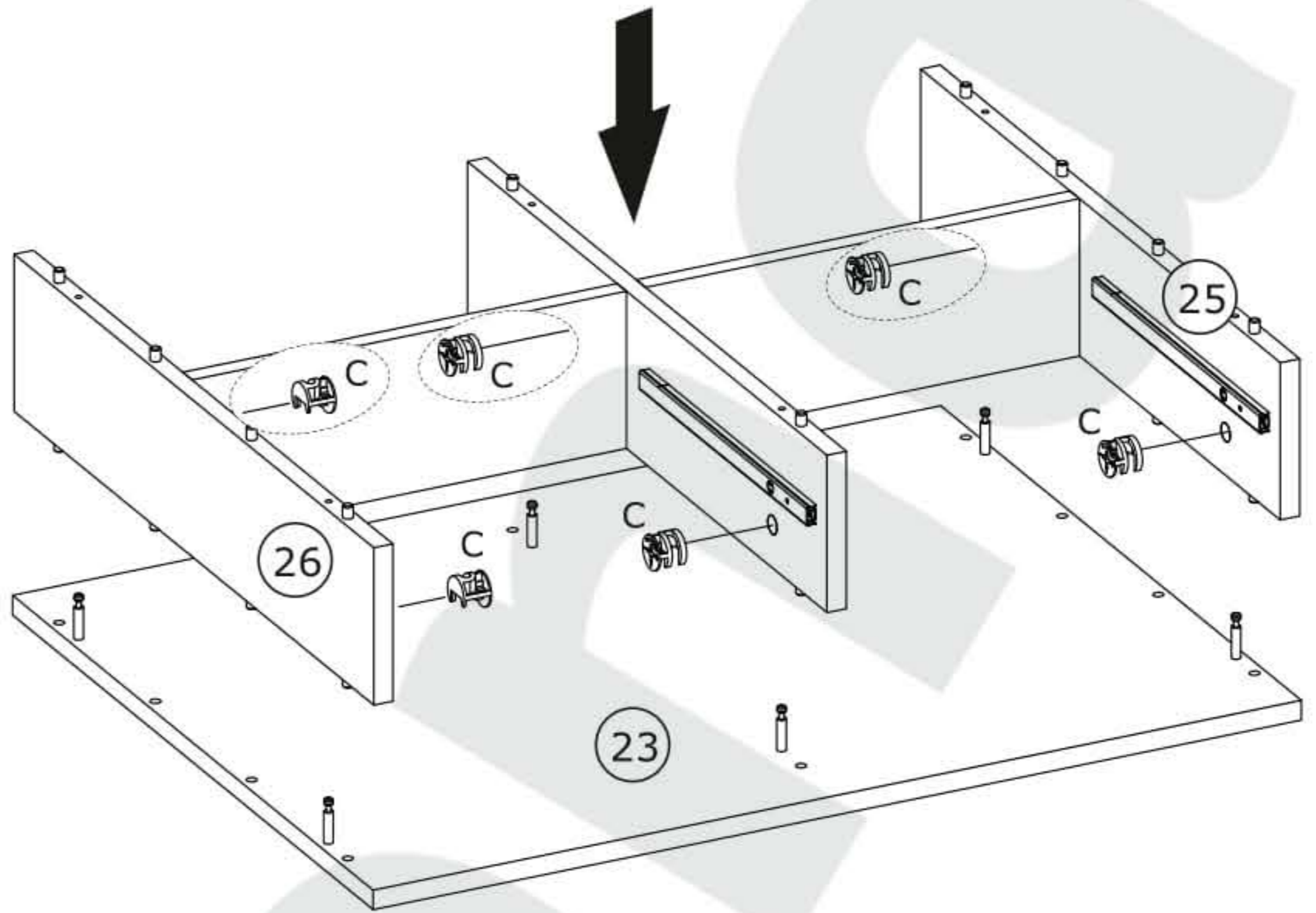
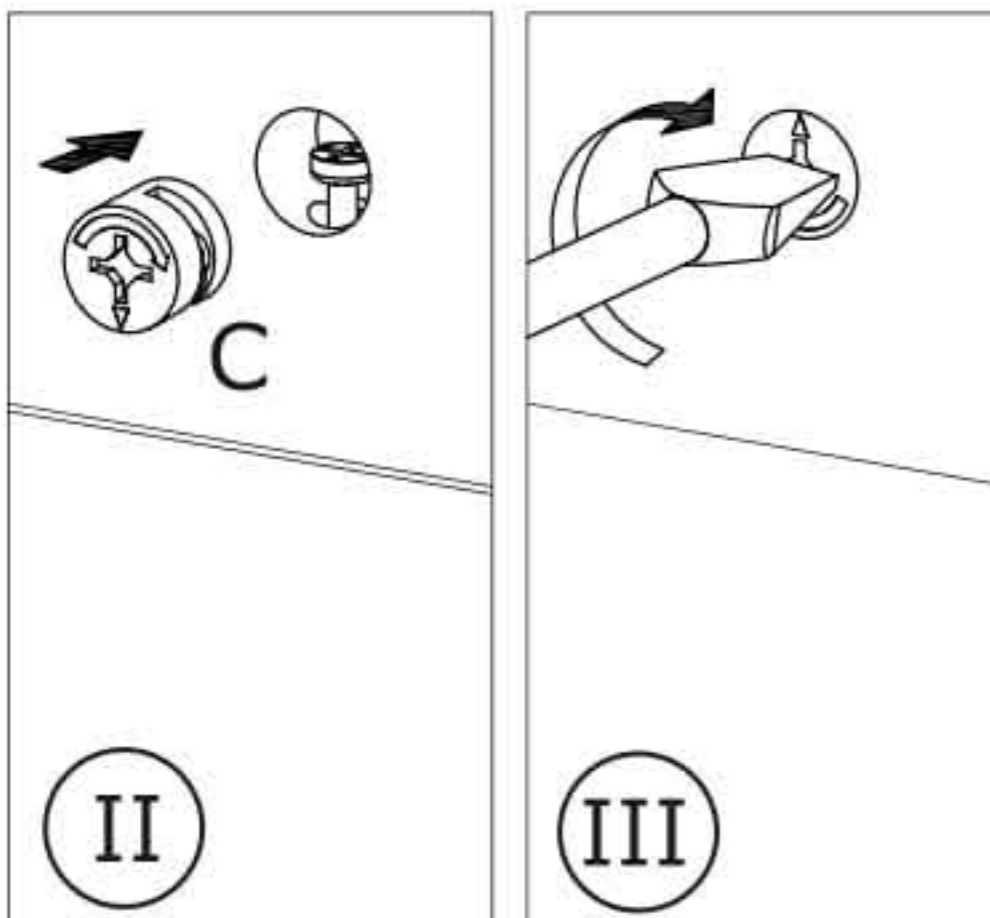
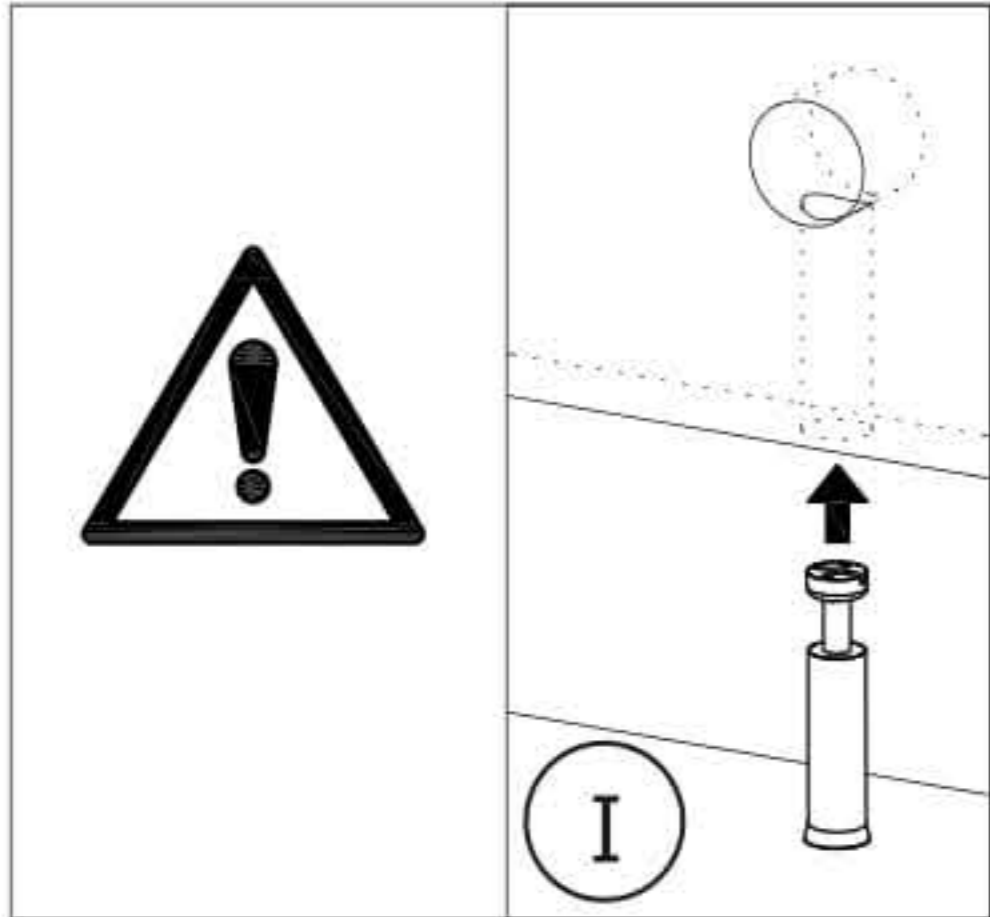
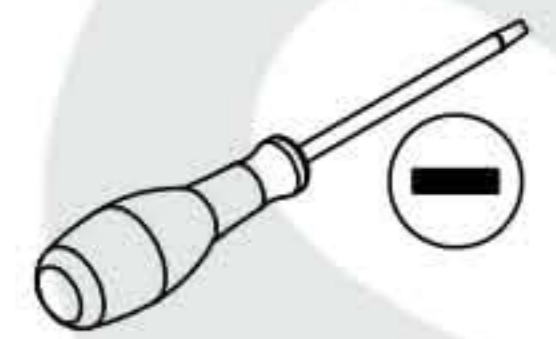
3

A2 x 2  Ø8x60 mm	
---	---



4

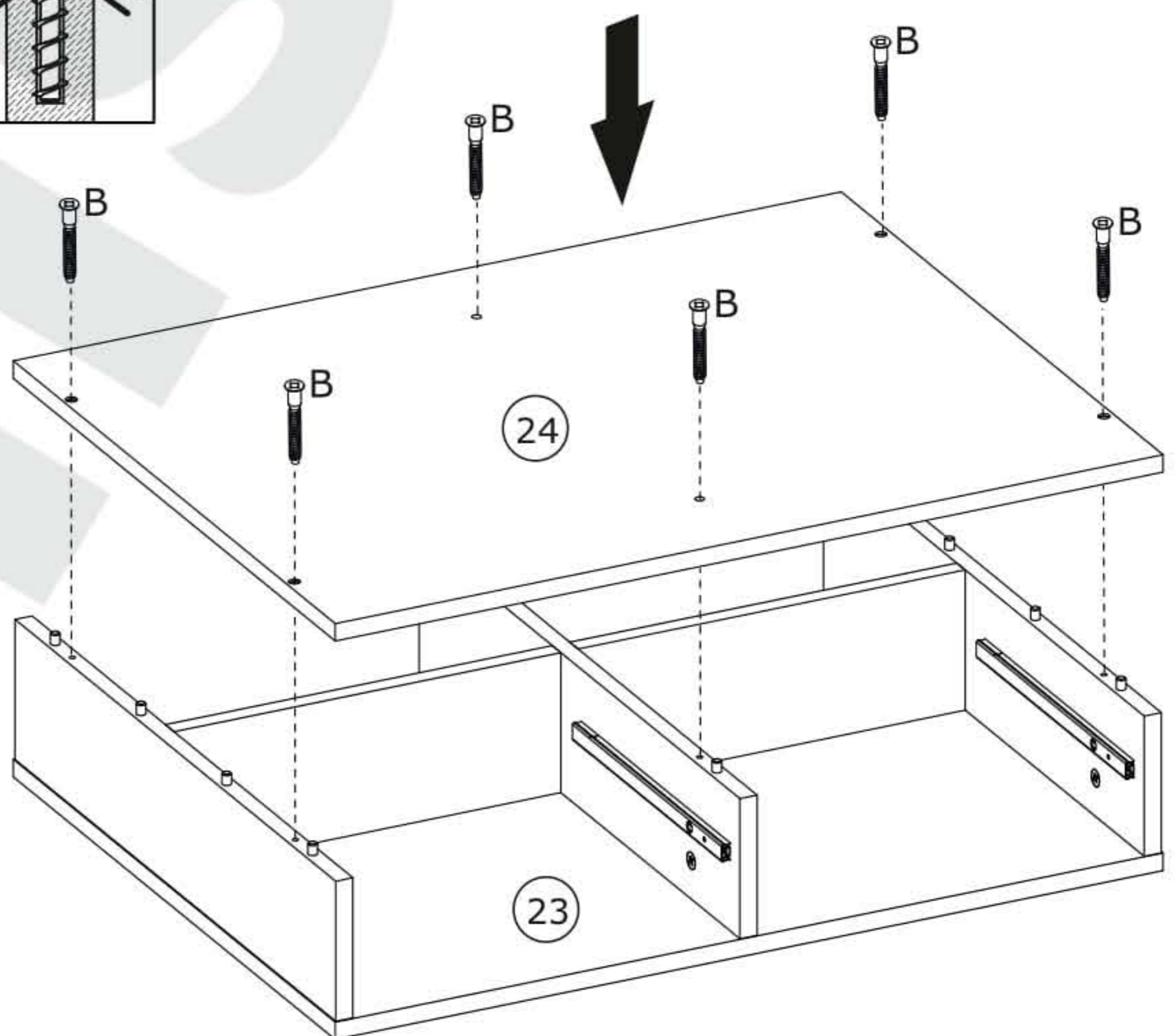
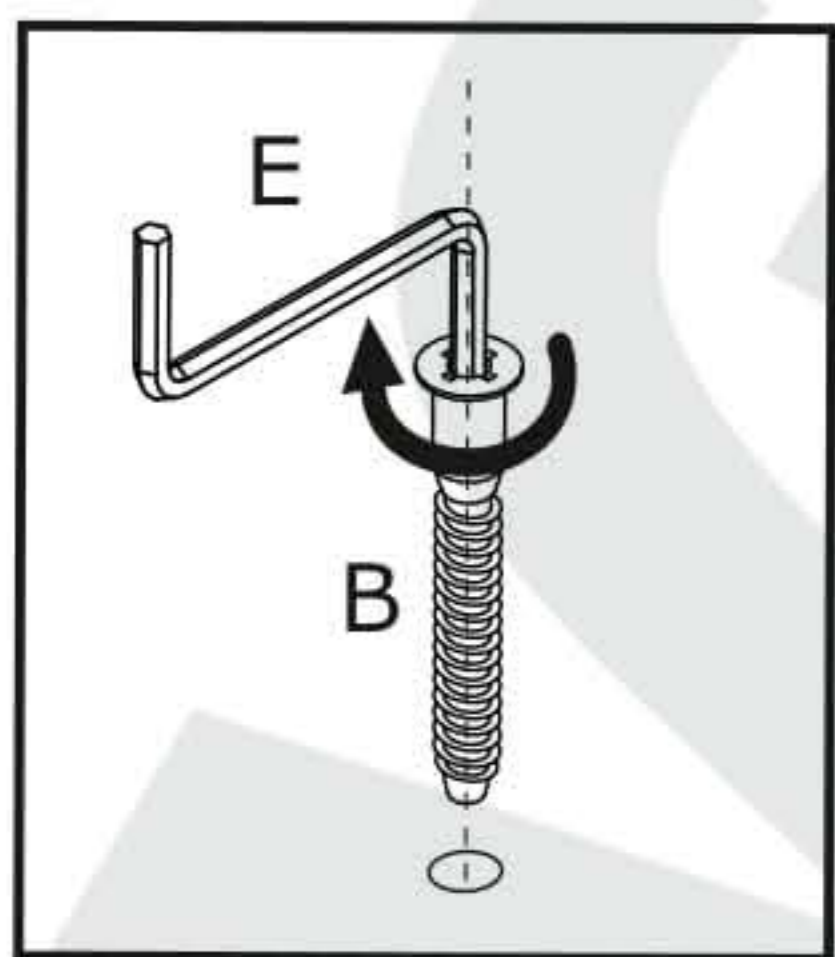
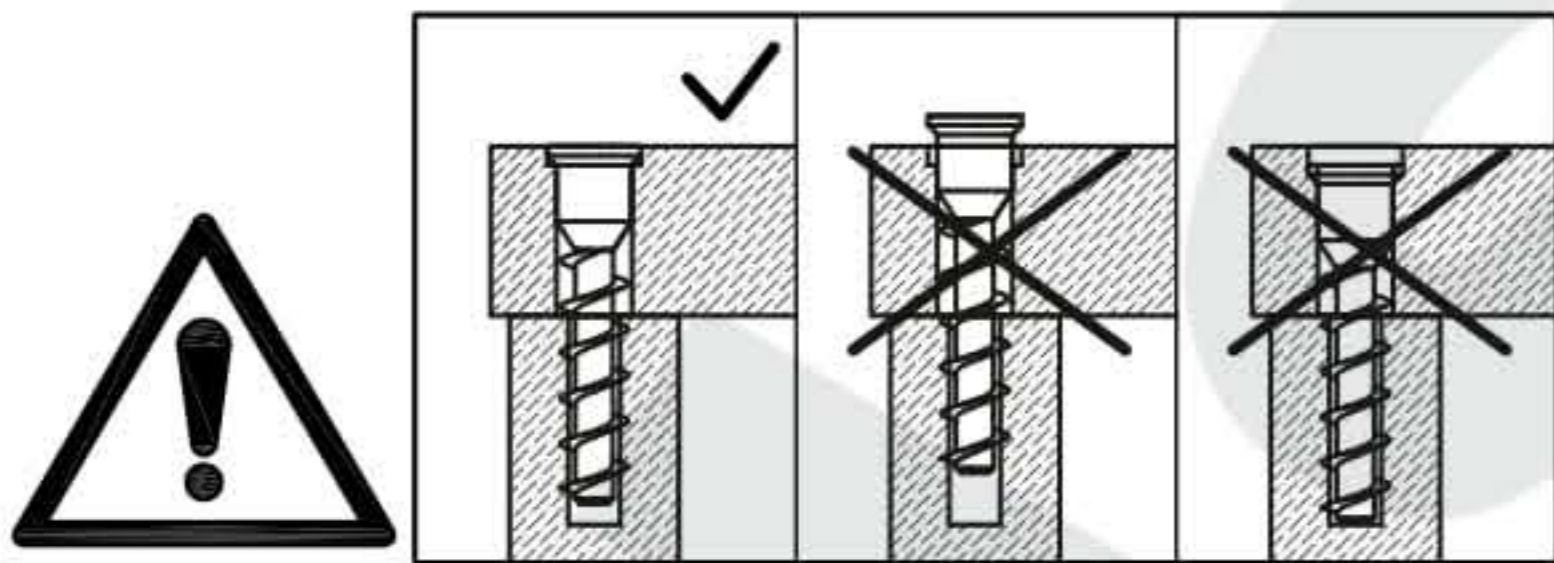
C x 6
Ø15x12 mm



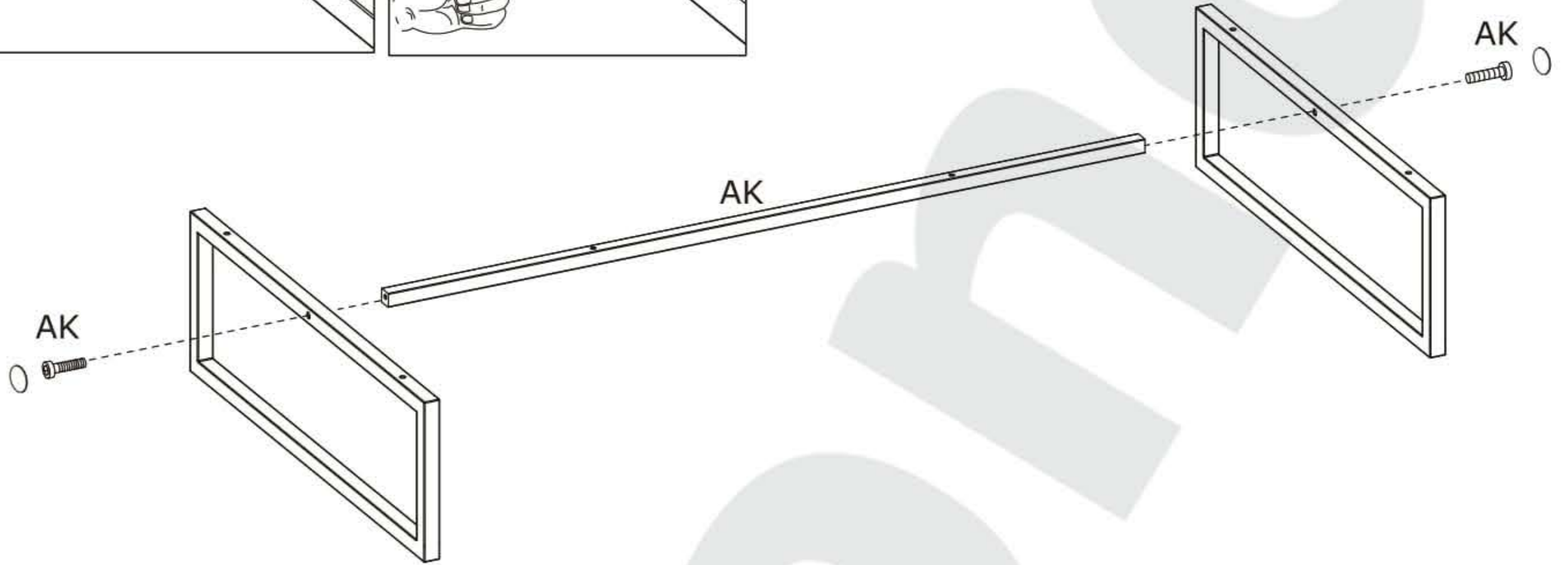
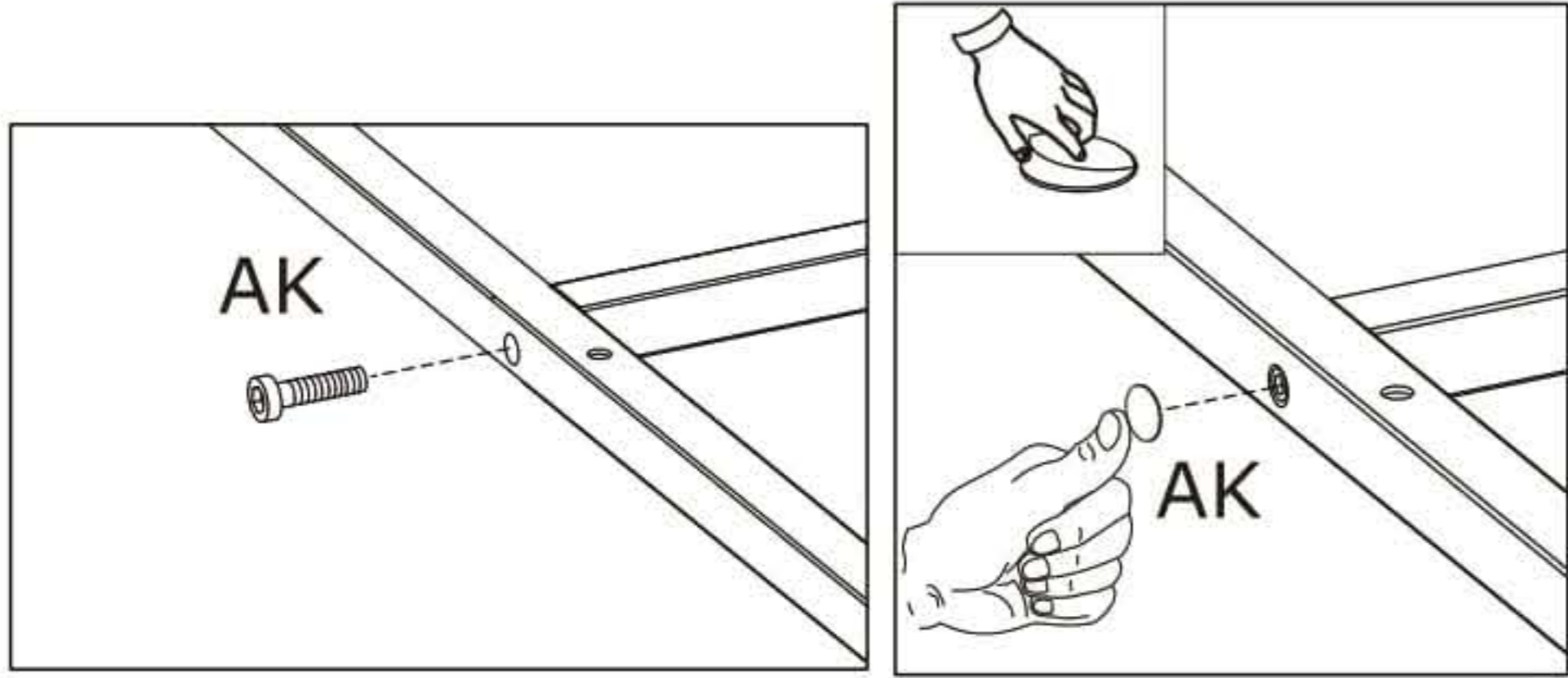
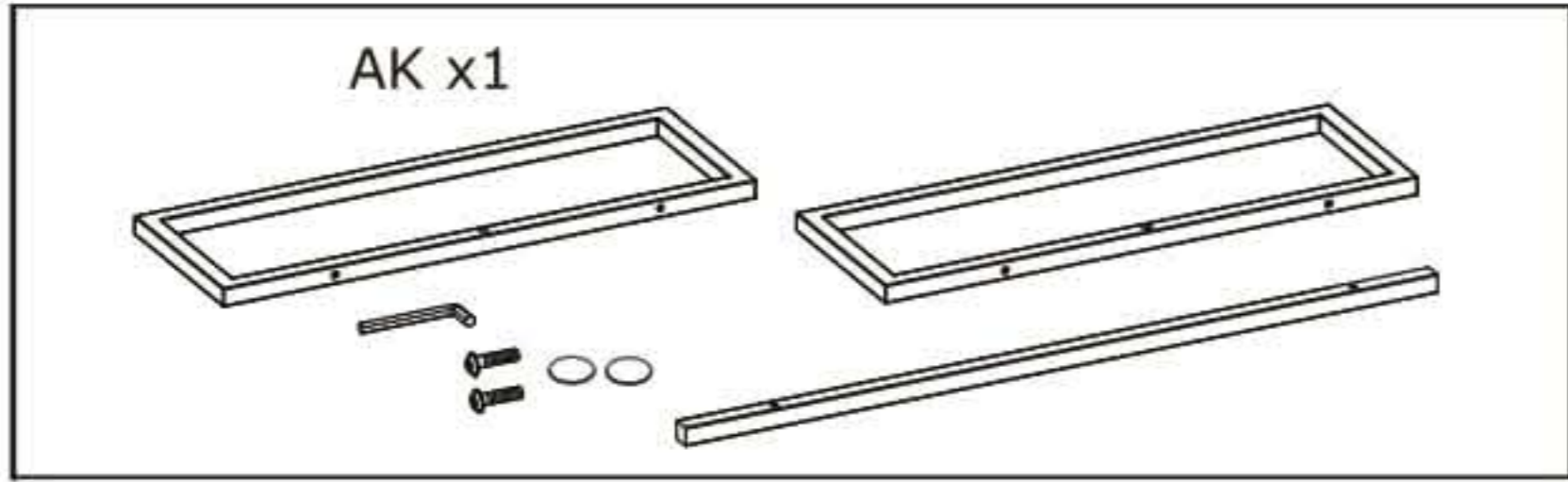
5

B x 6
Ø7x50 mm

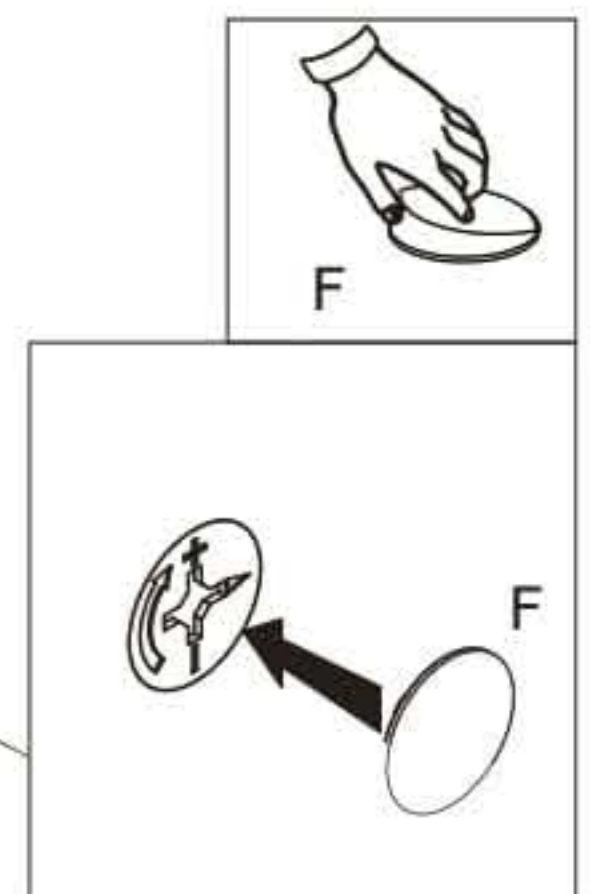
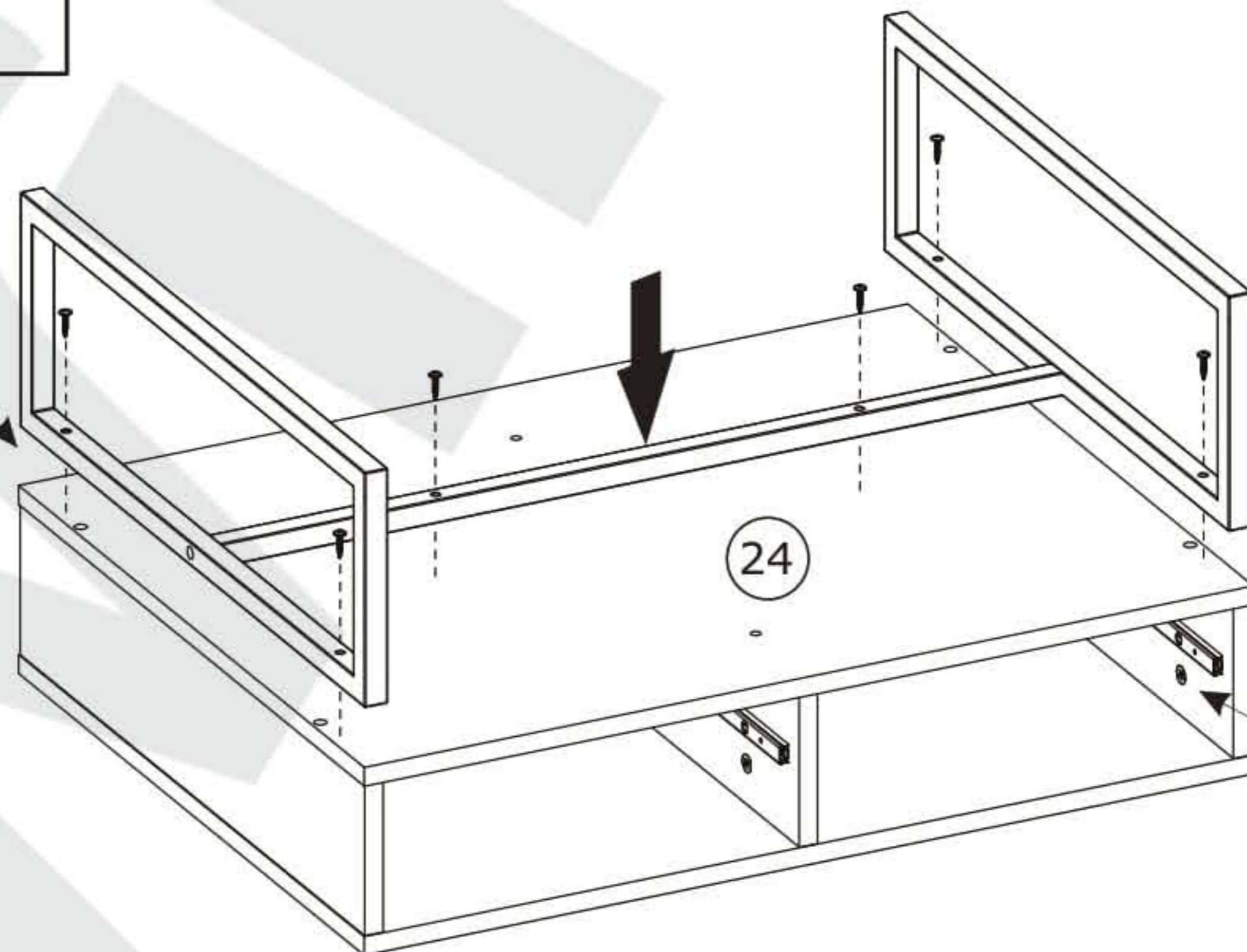
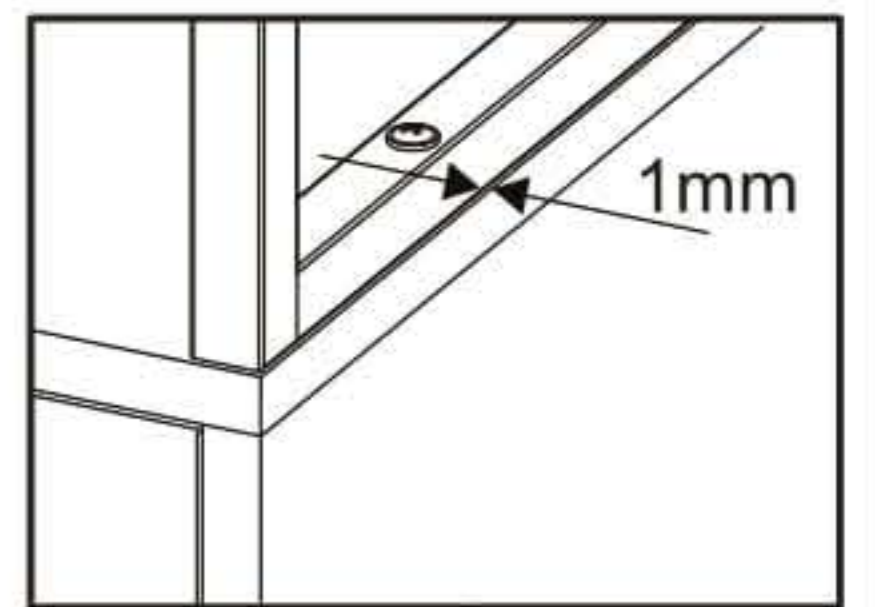
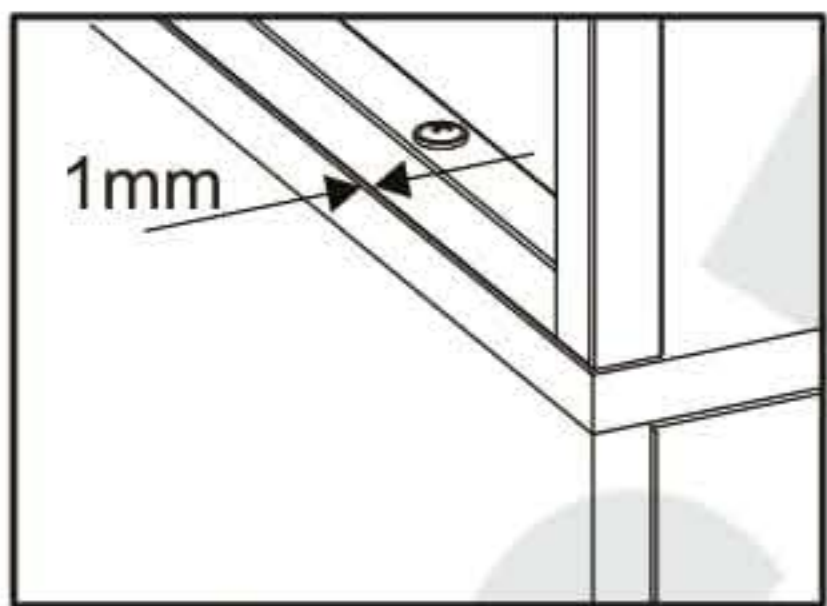
E x 1
4 mm





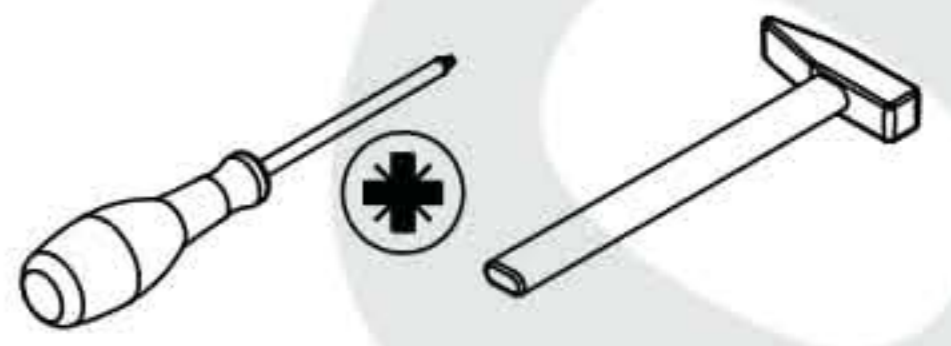
6

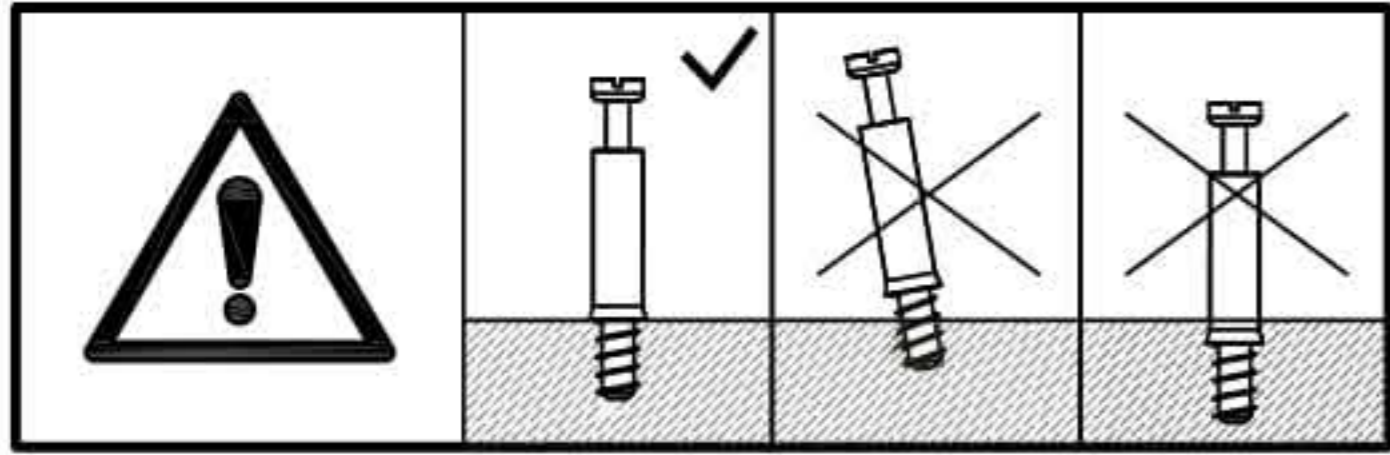
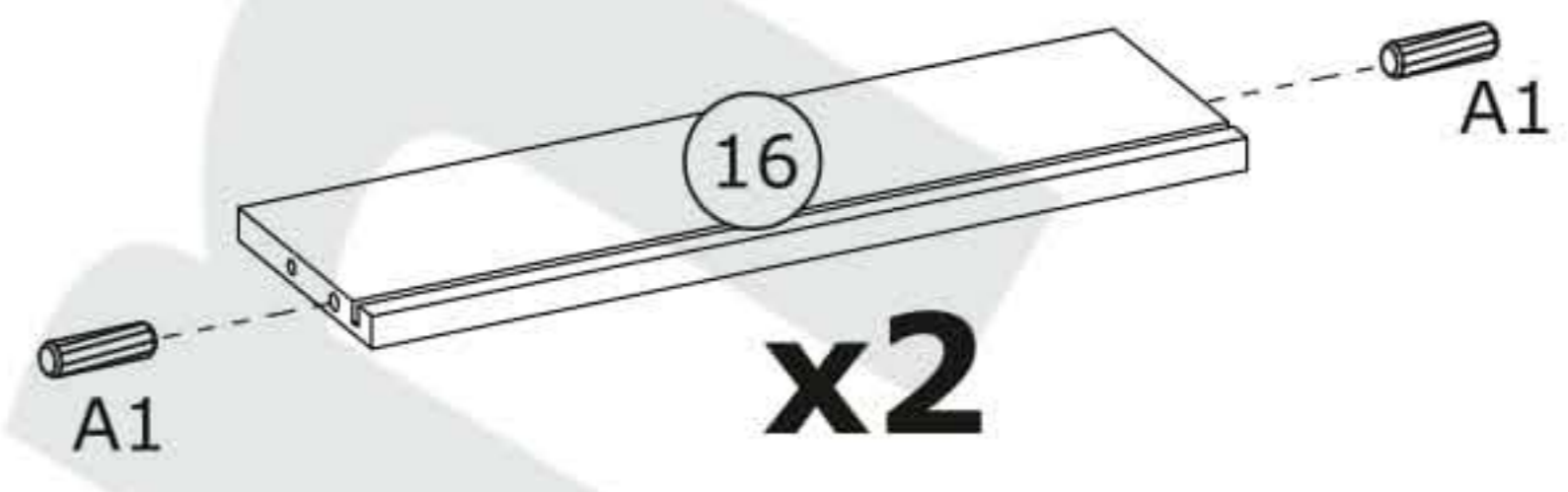
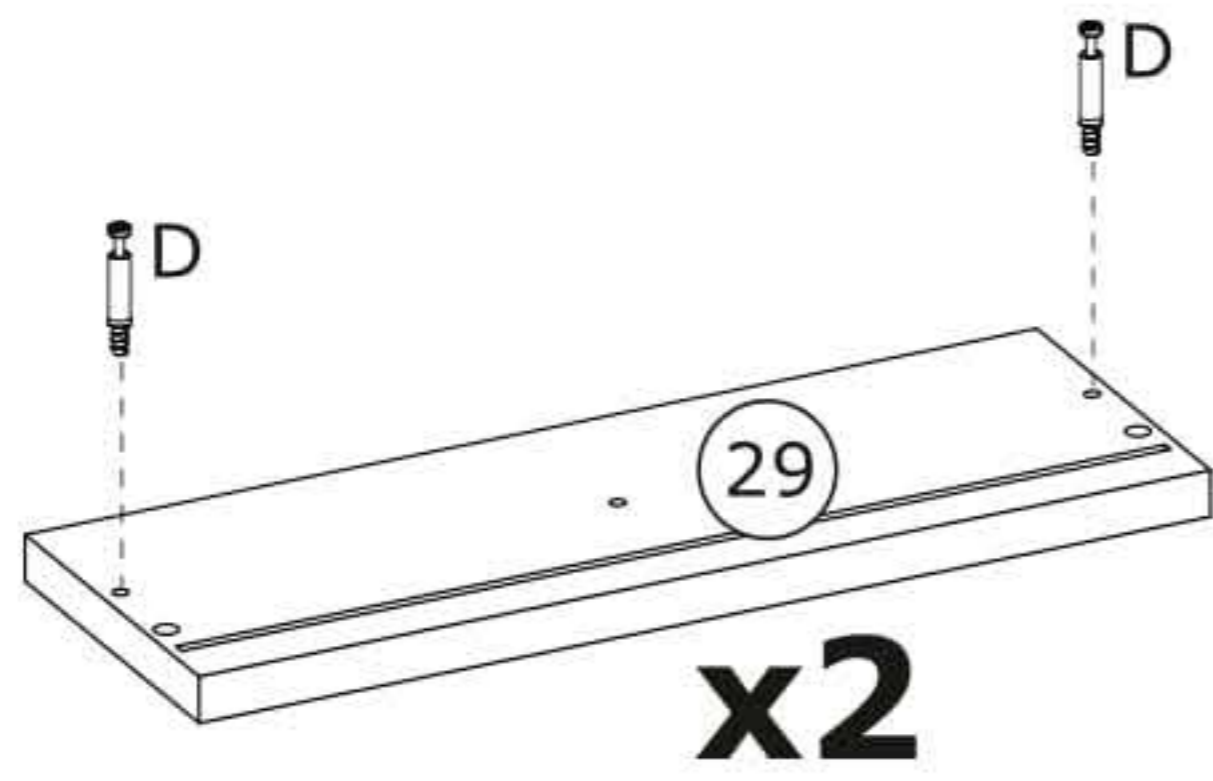


7



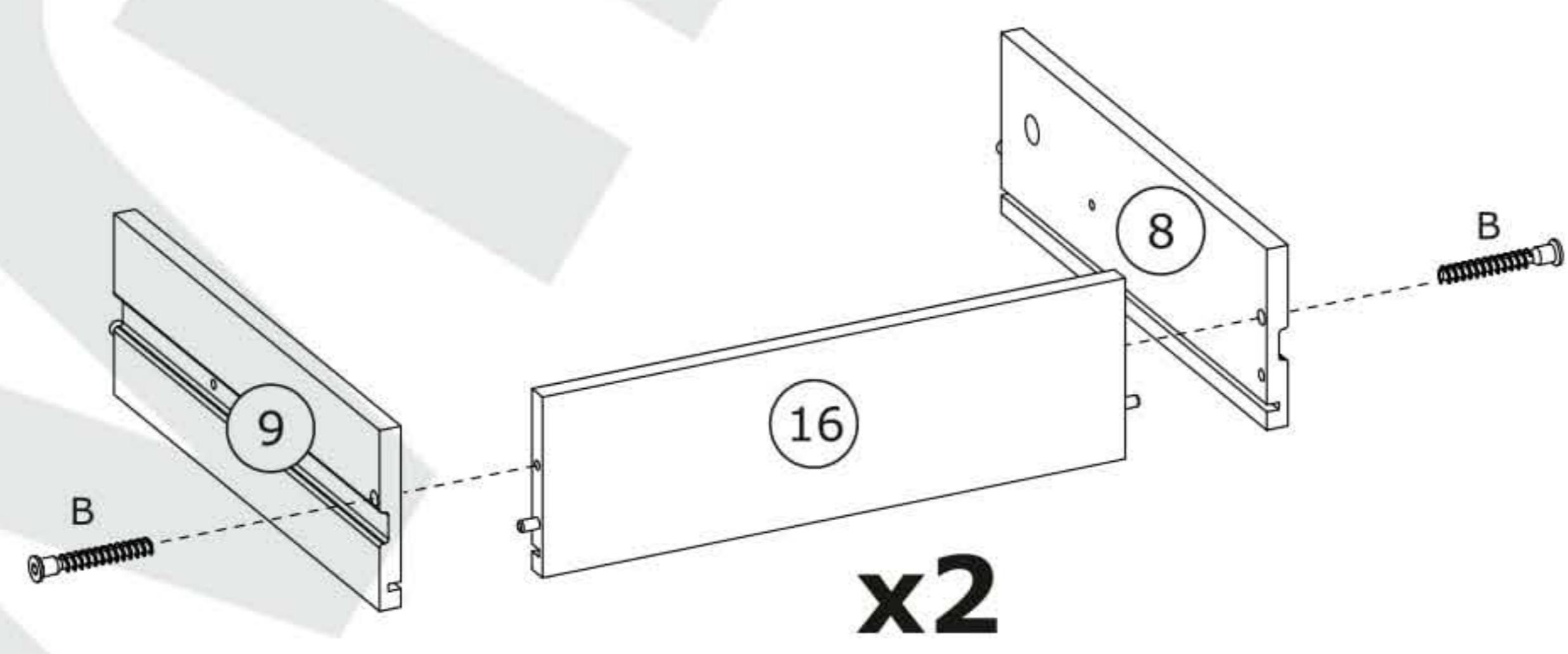
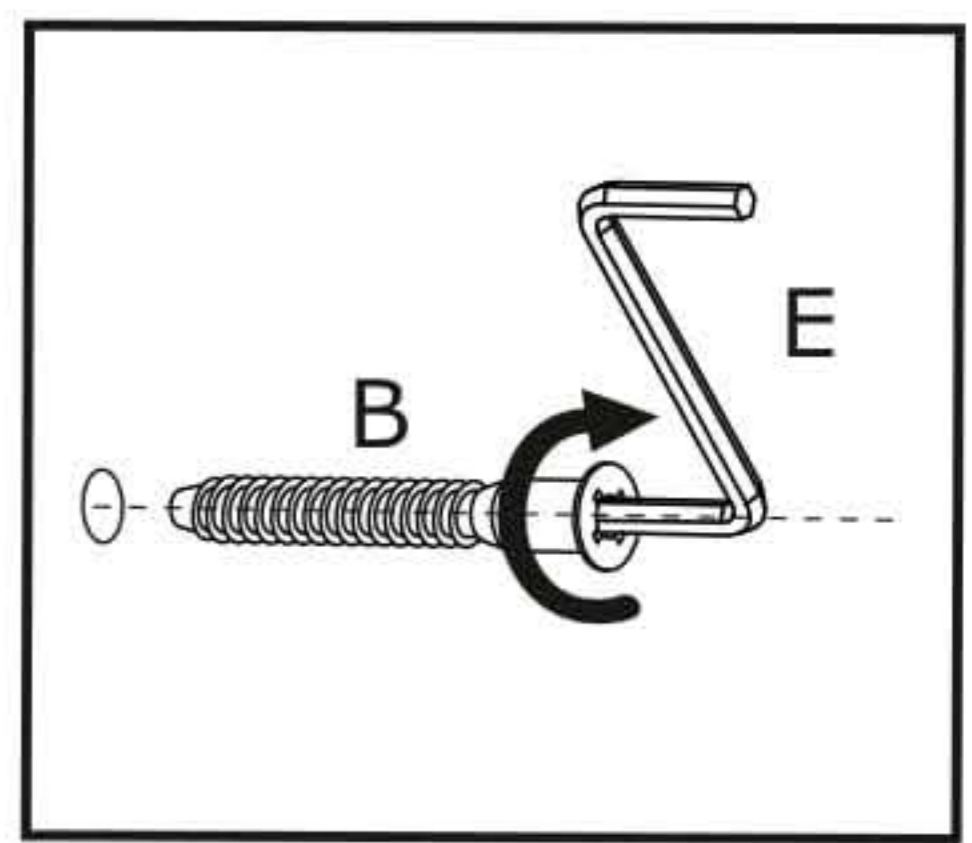
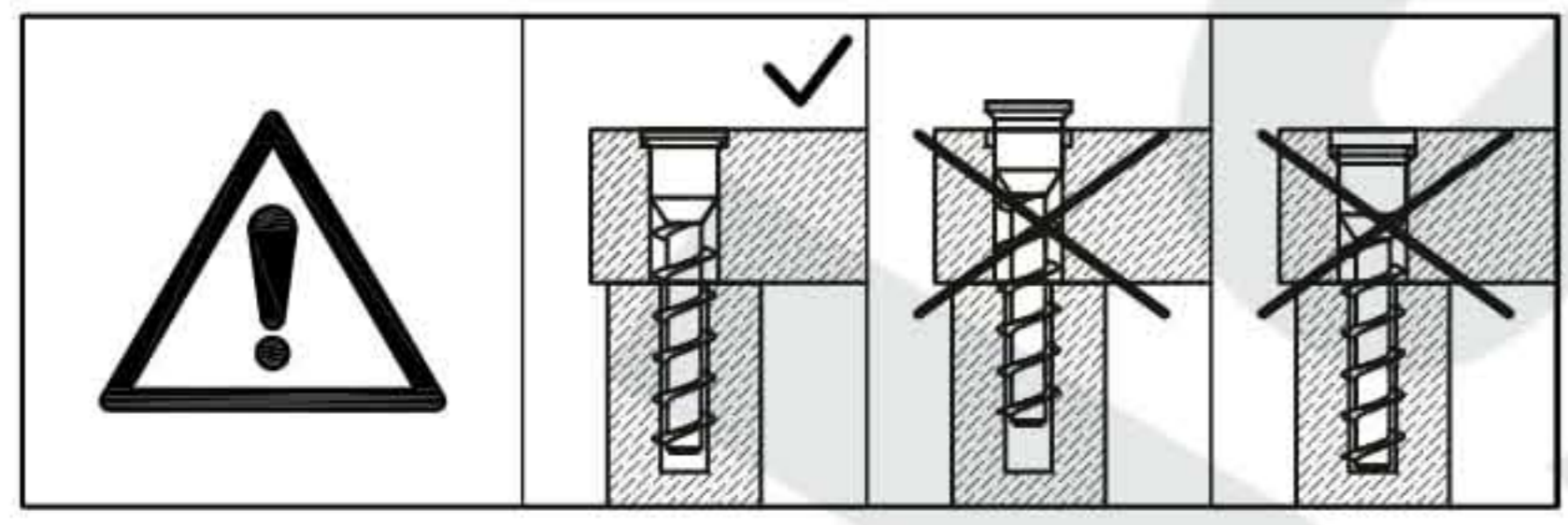
8

D x 4  Ø5x44 mm	A1 x 4  Ø6x30 mm	
--	---	---

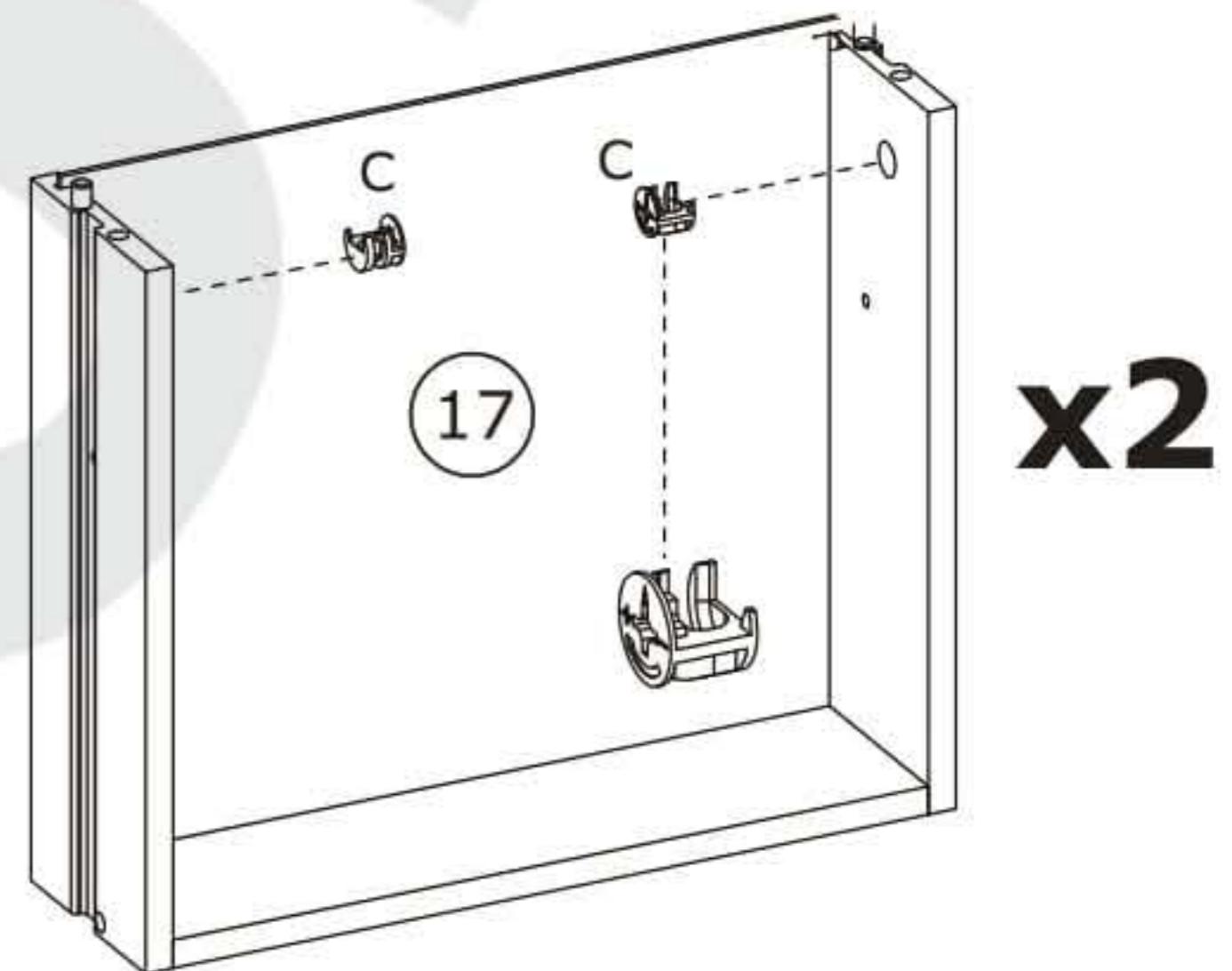
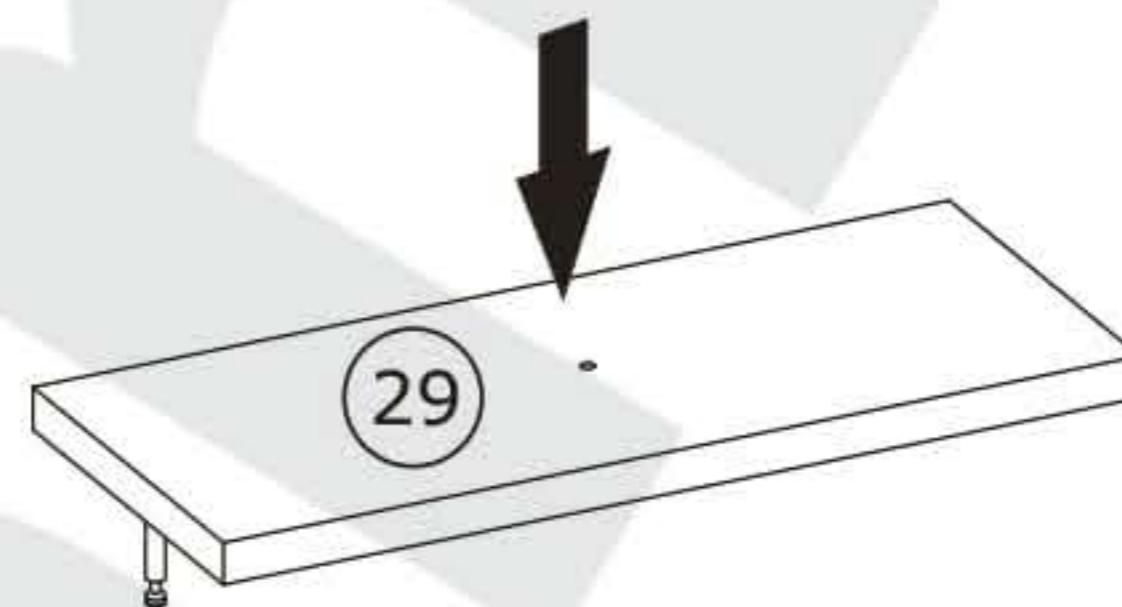
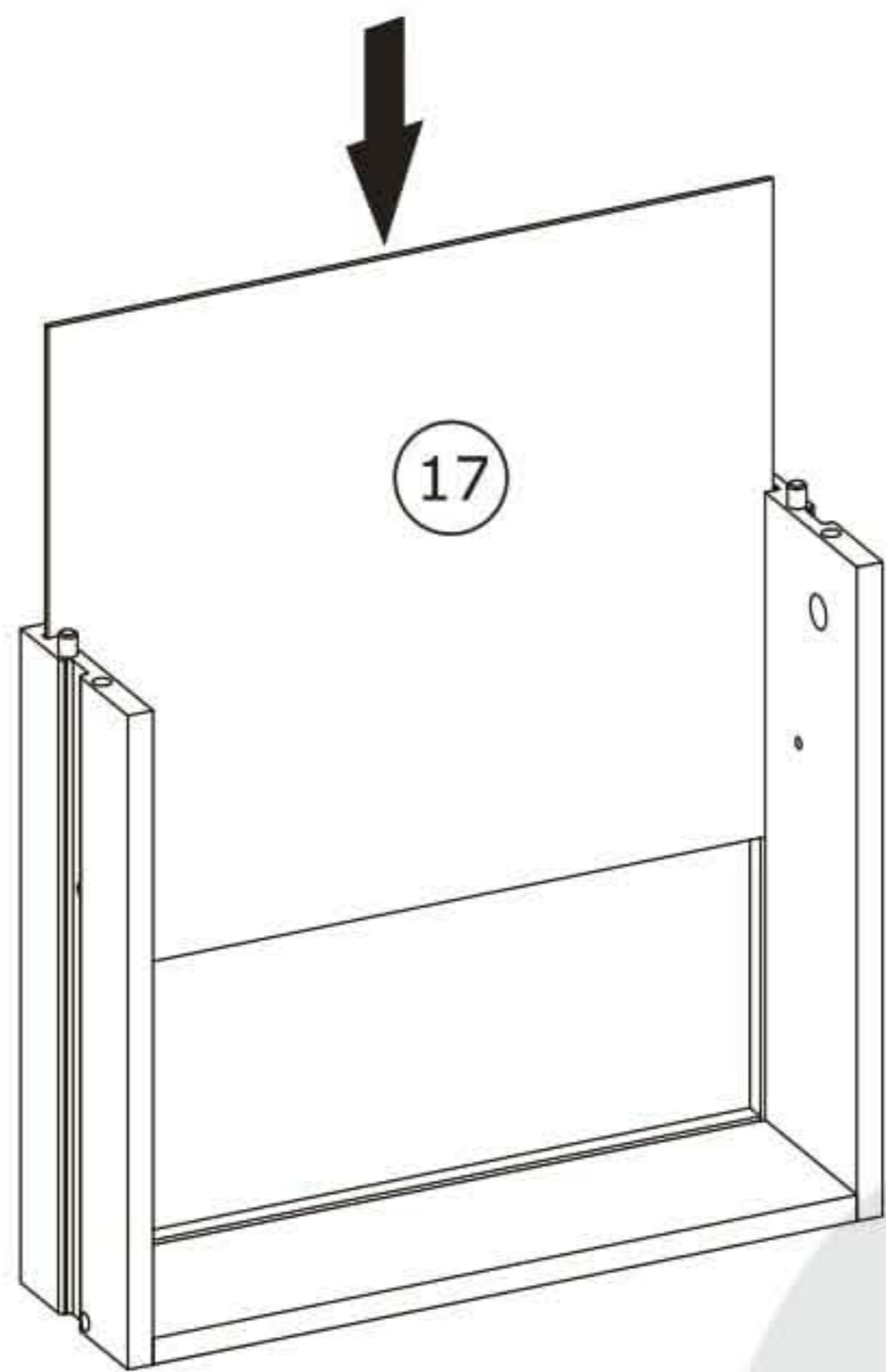
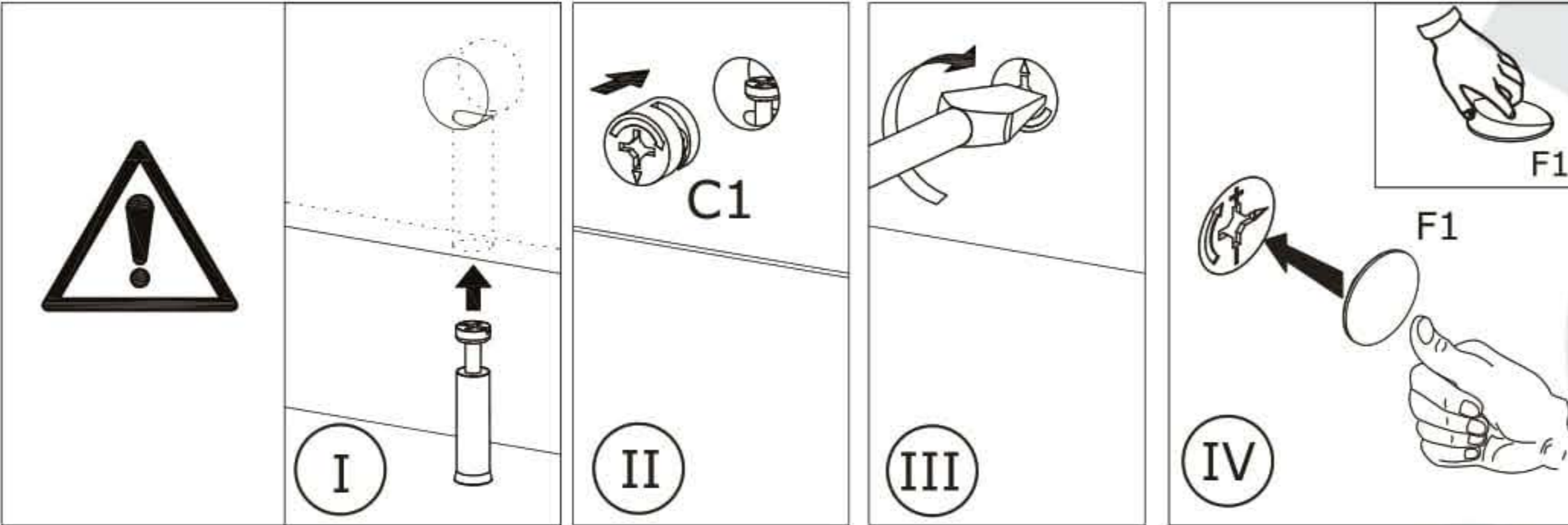
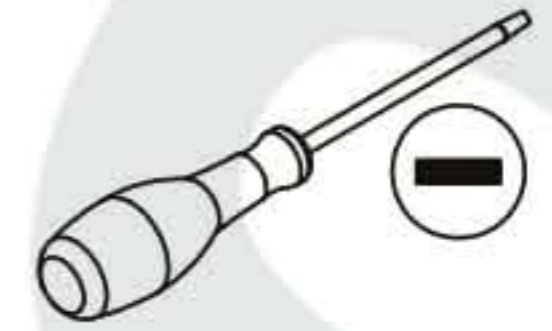
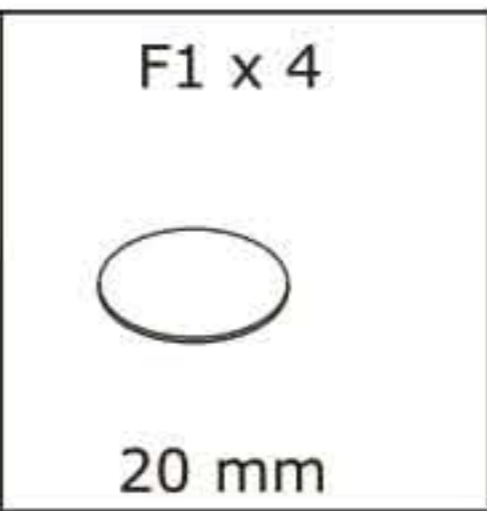
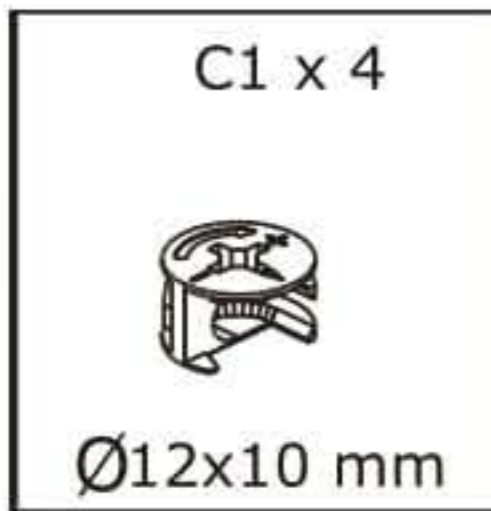


9

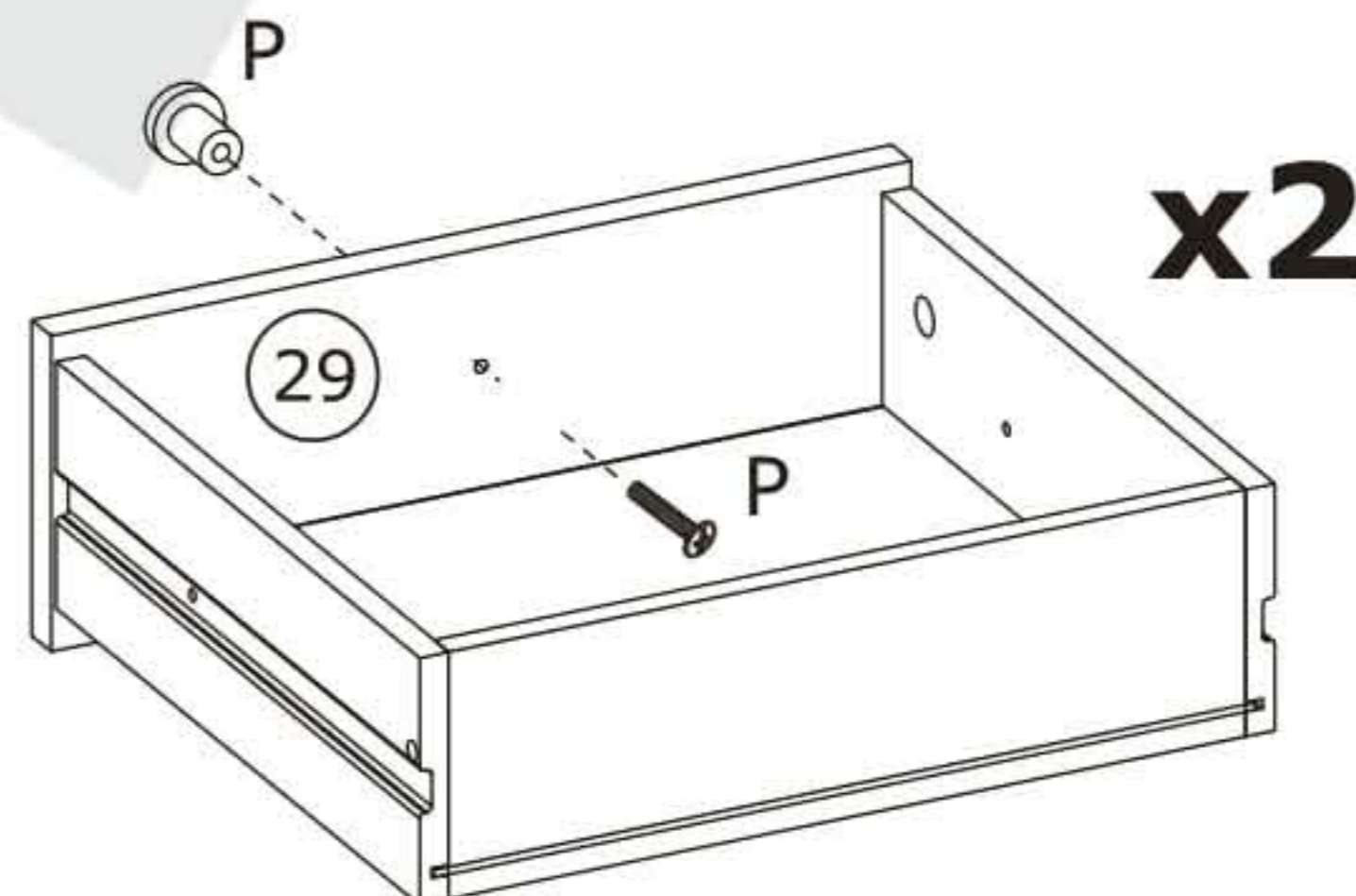
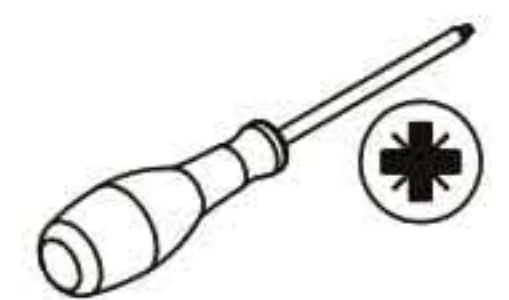
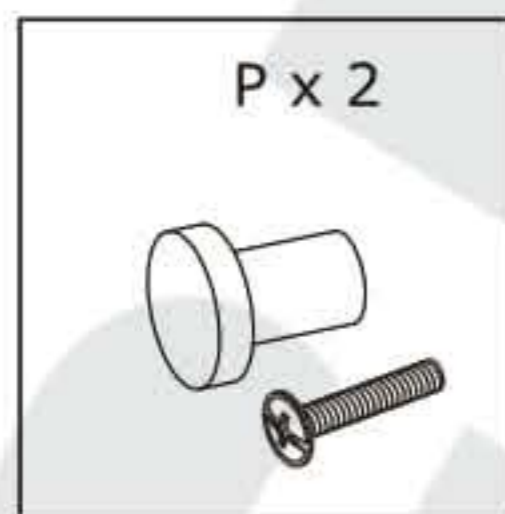
B x 4  Ø7x50 mm	E x 1  ● 4 mm	
--	--	--



10



11



12

Q x 4
4x9 mm

