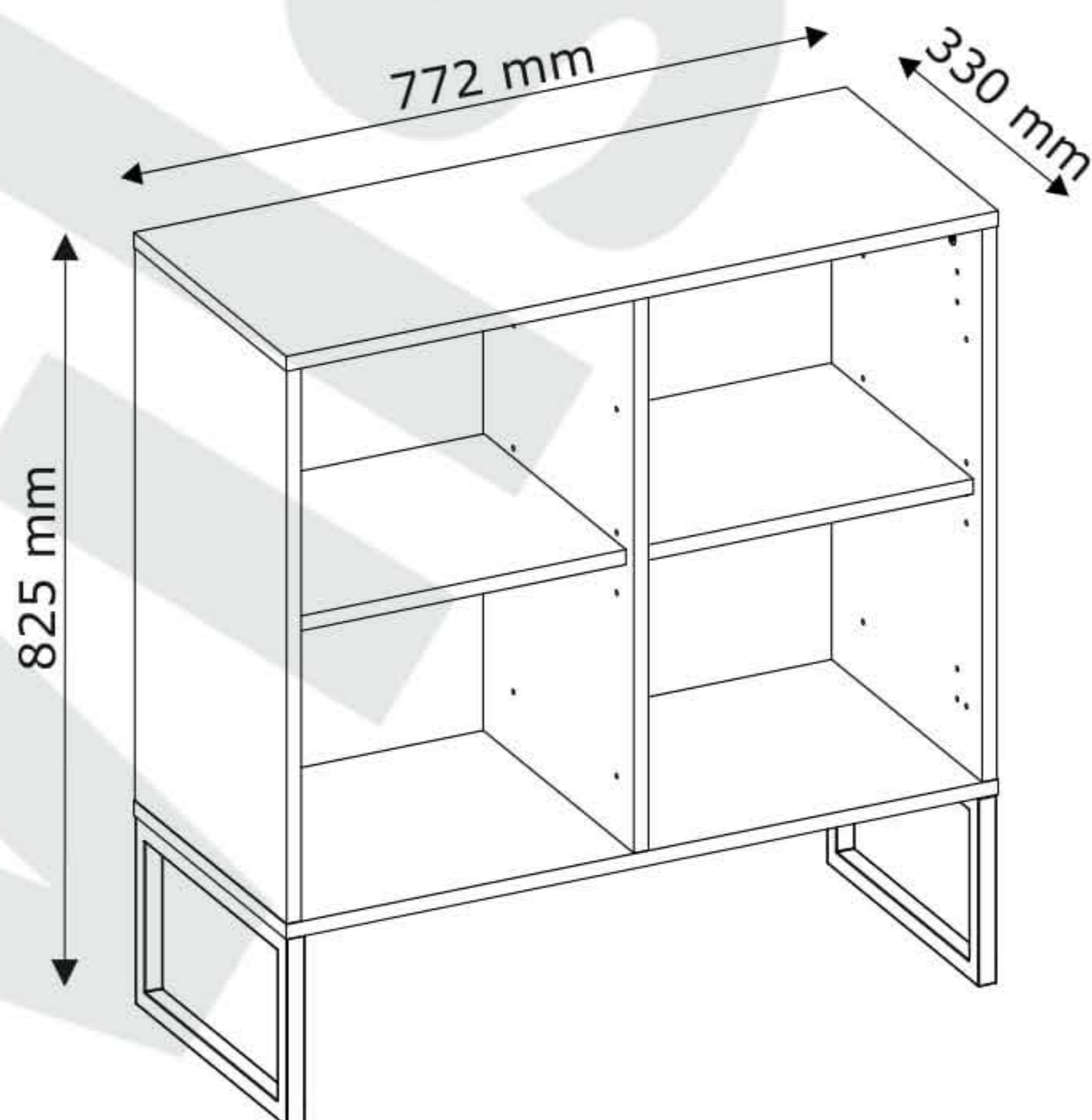
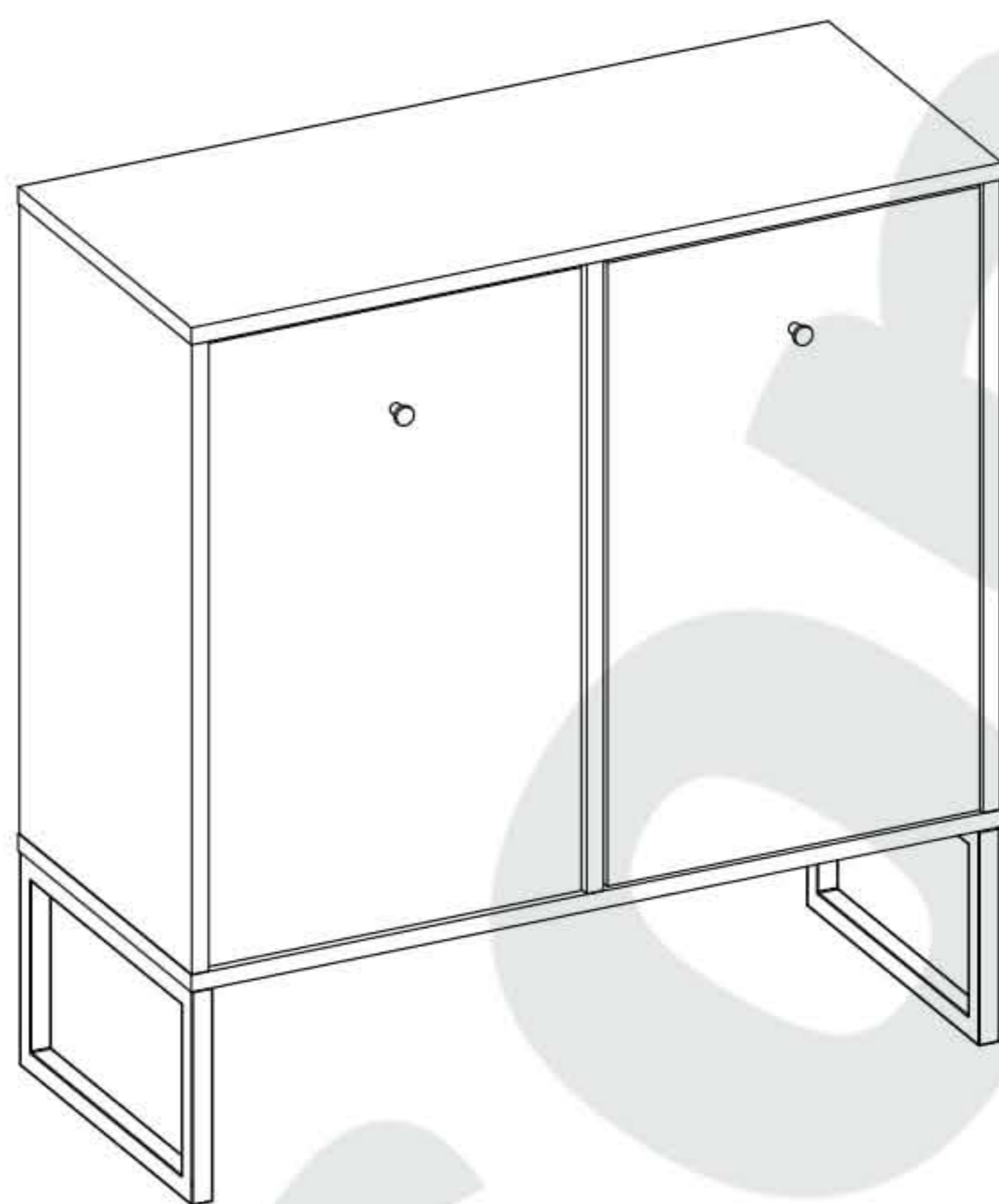
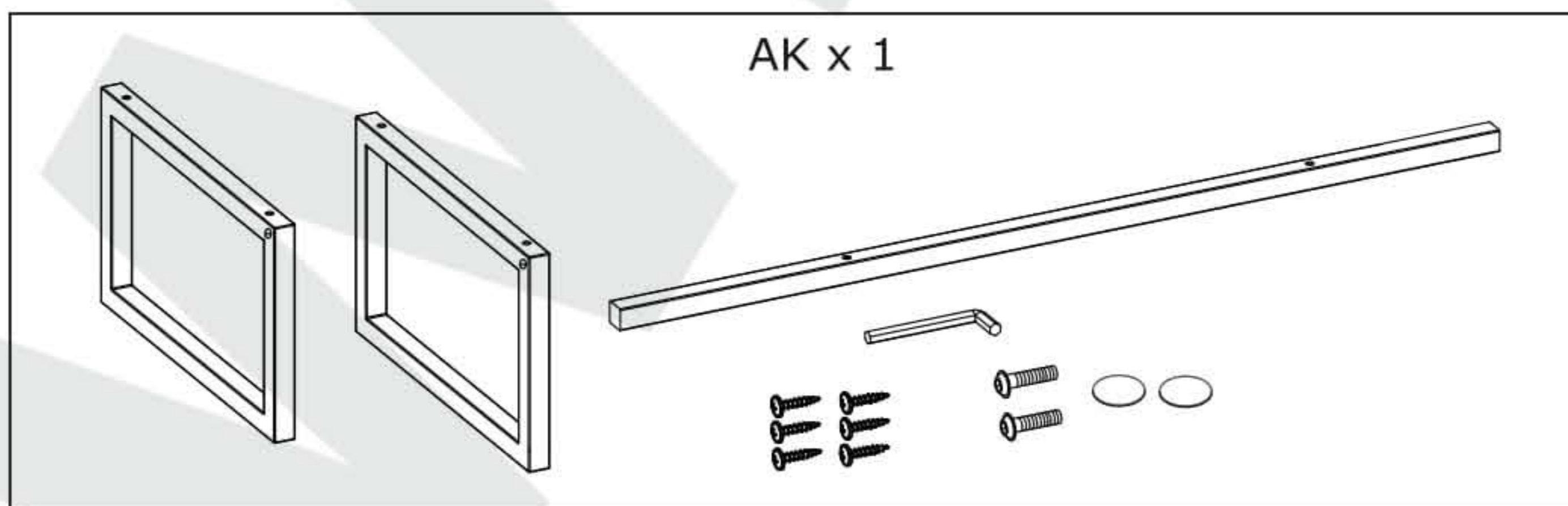
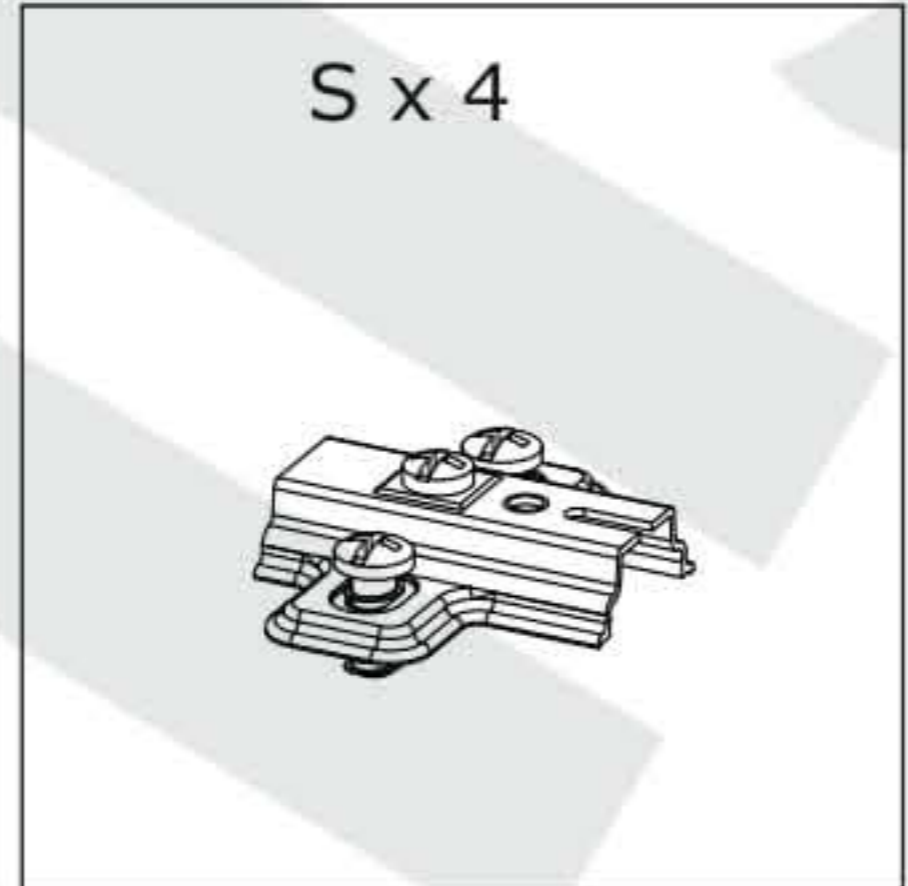
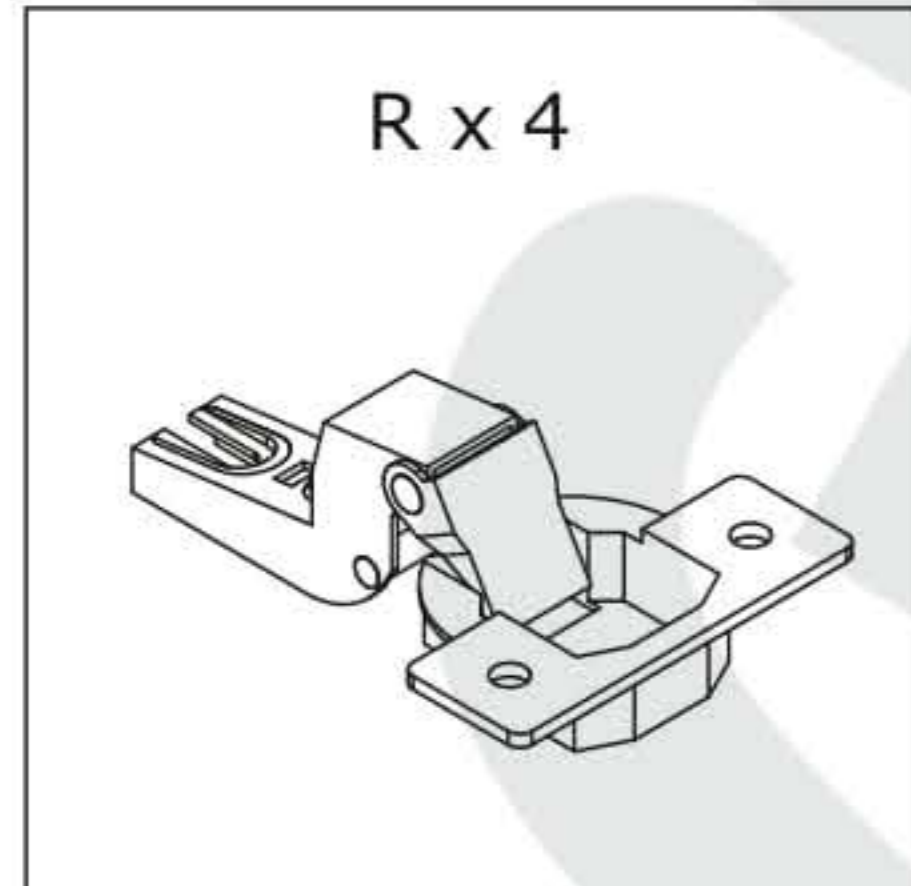
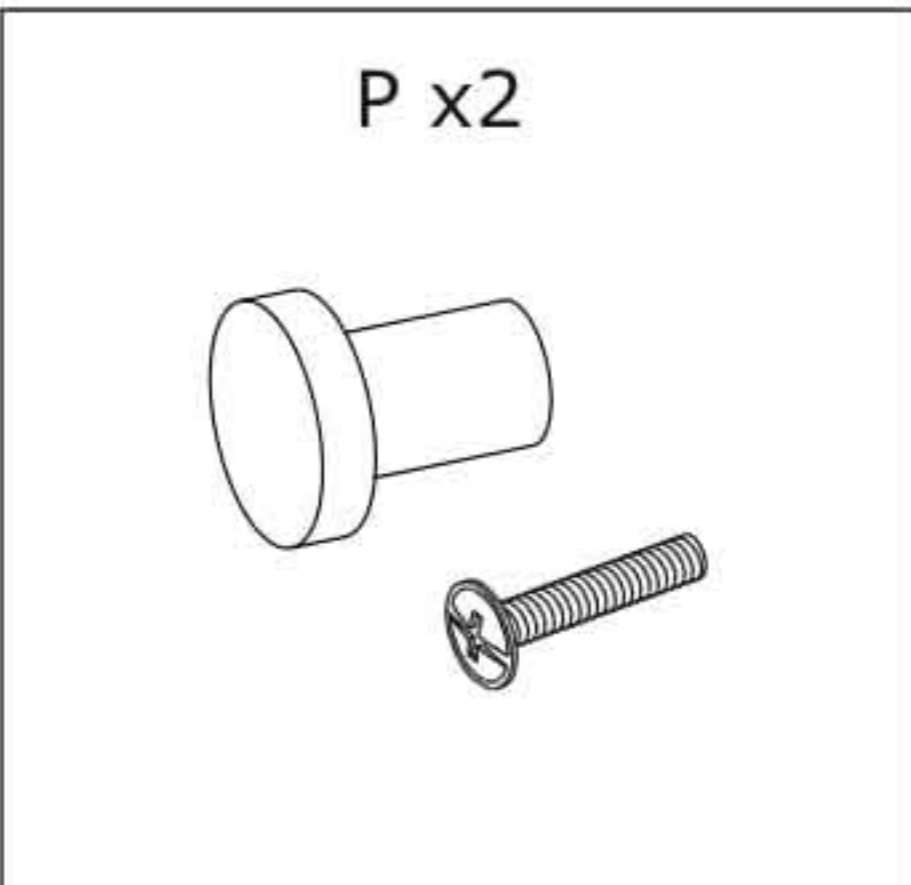
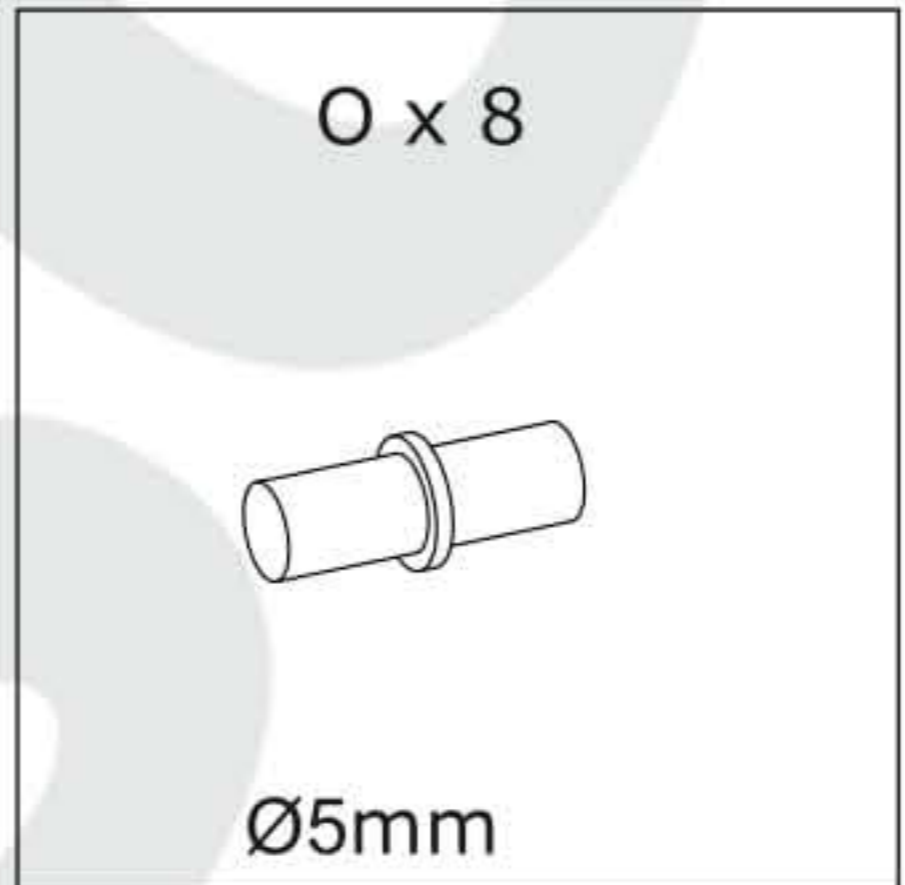
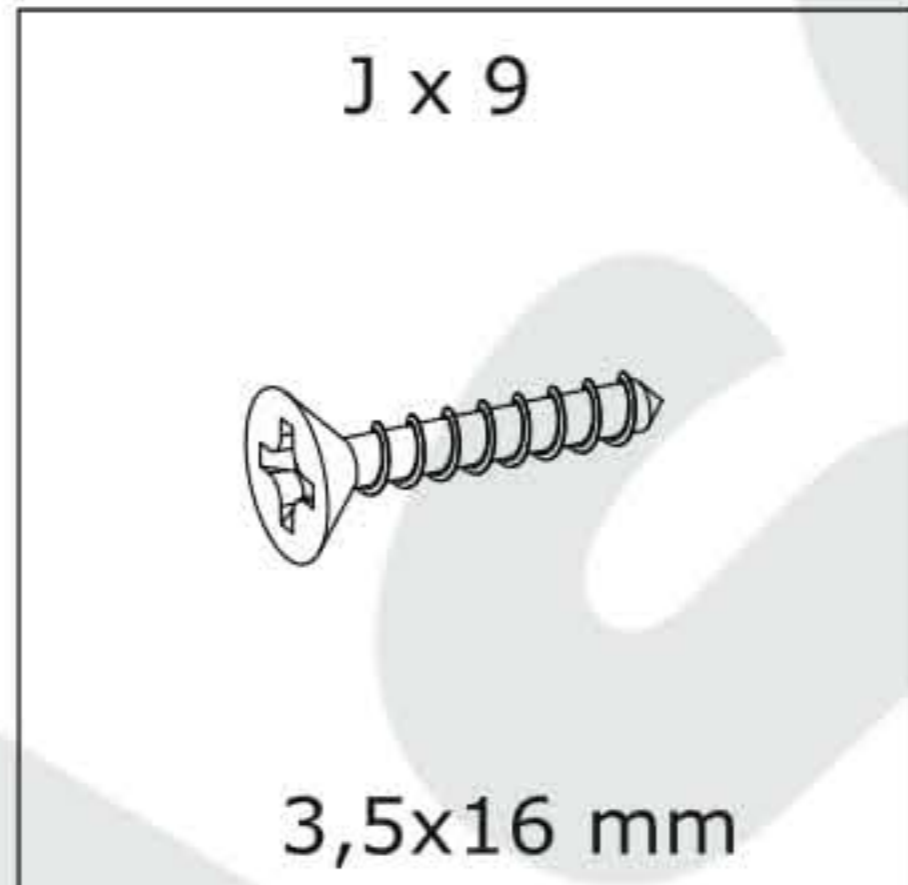
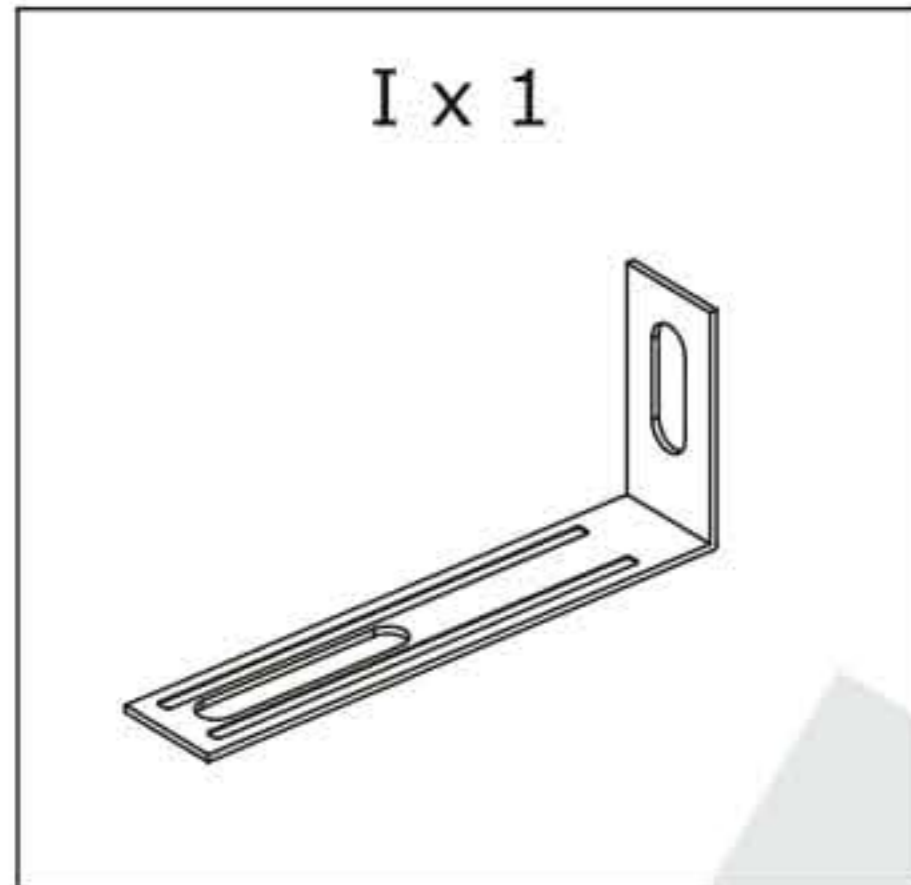
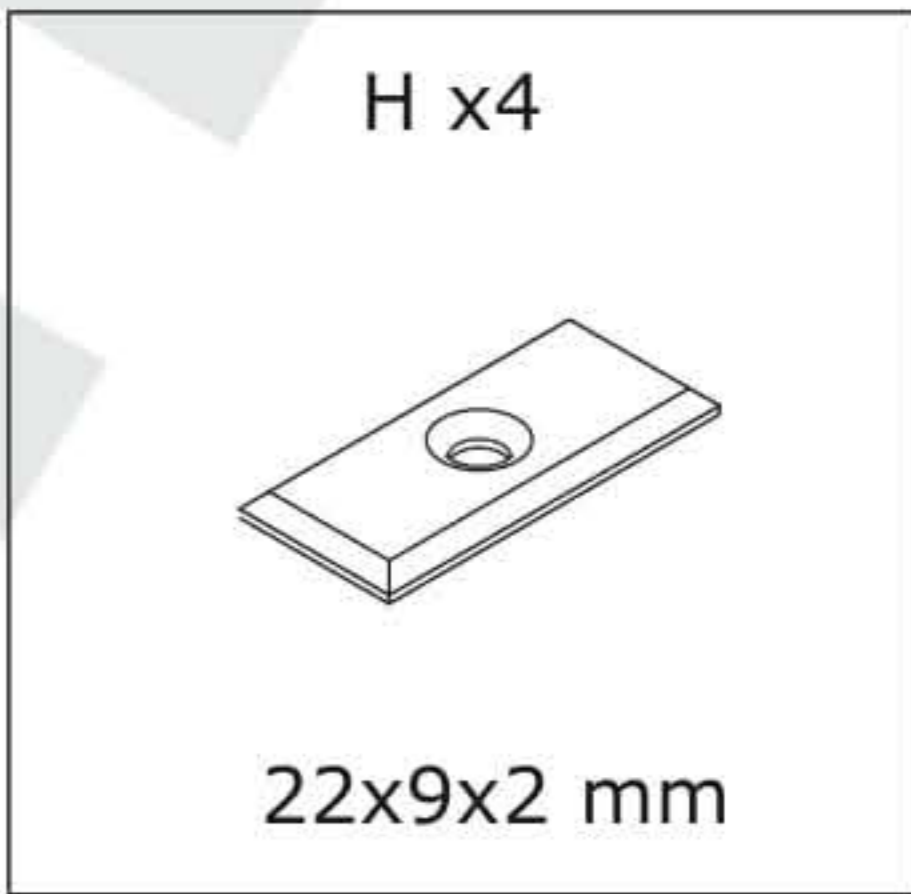
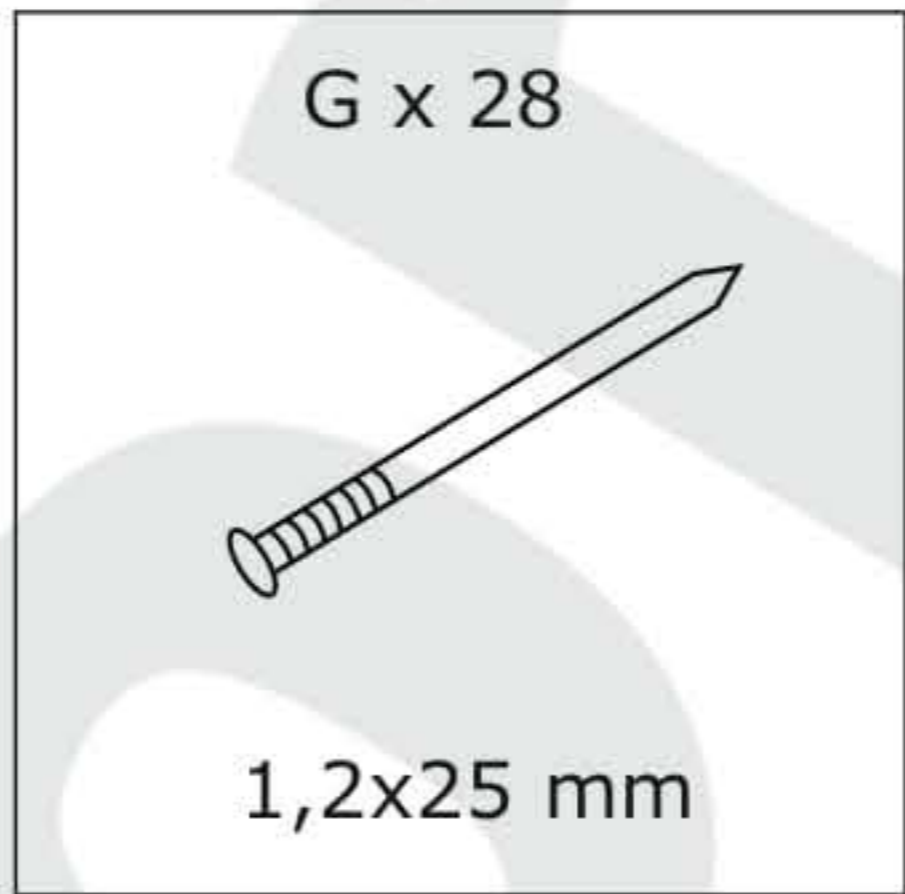
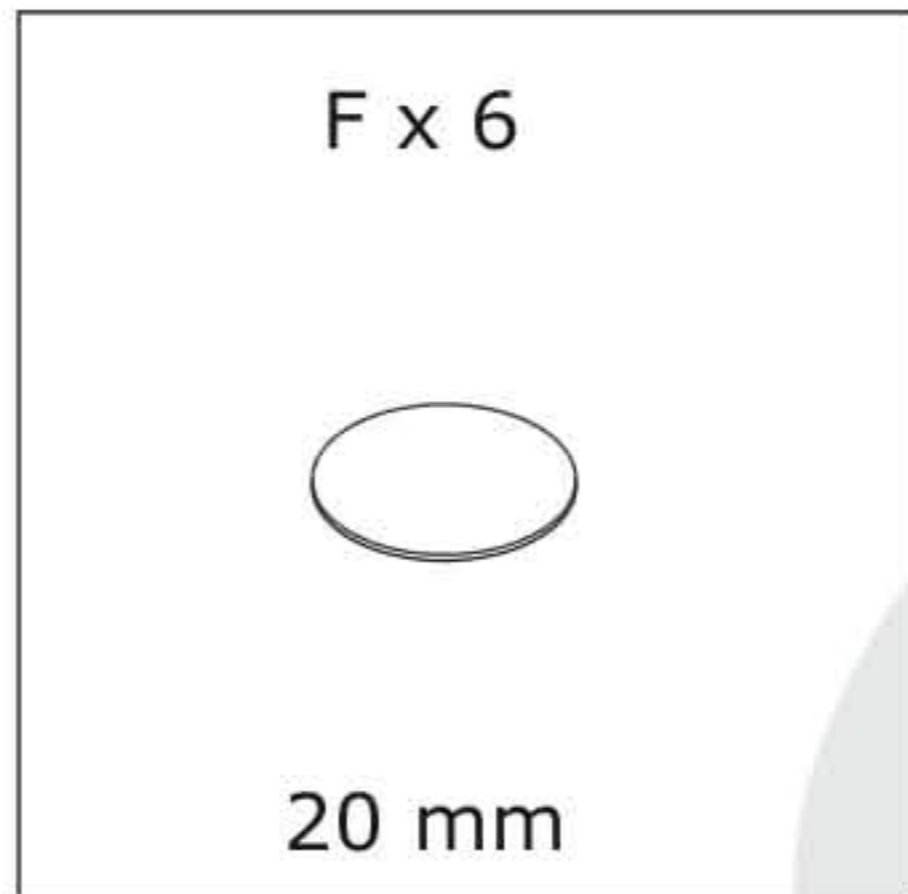
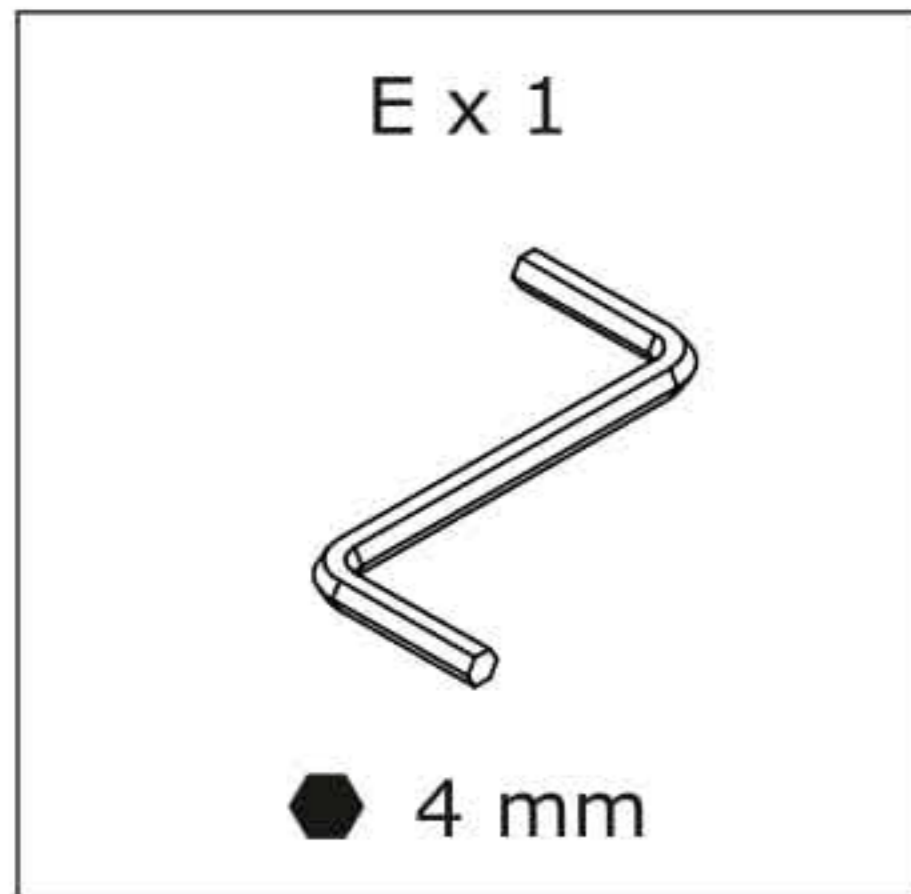
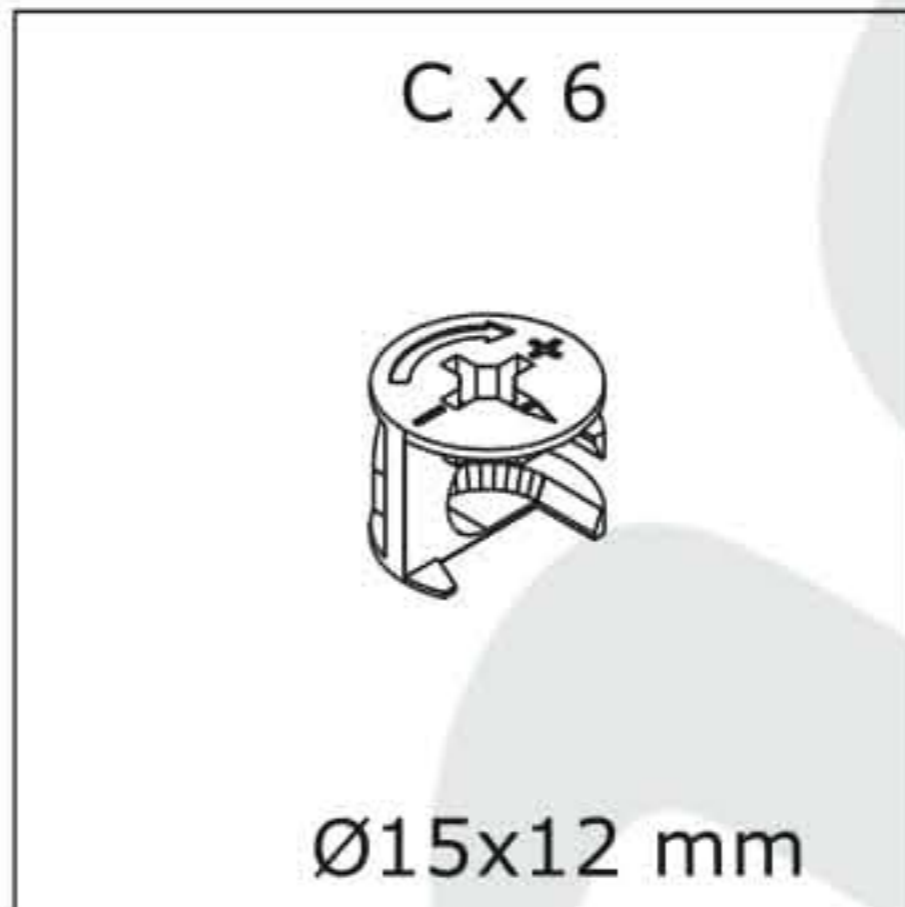
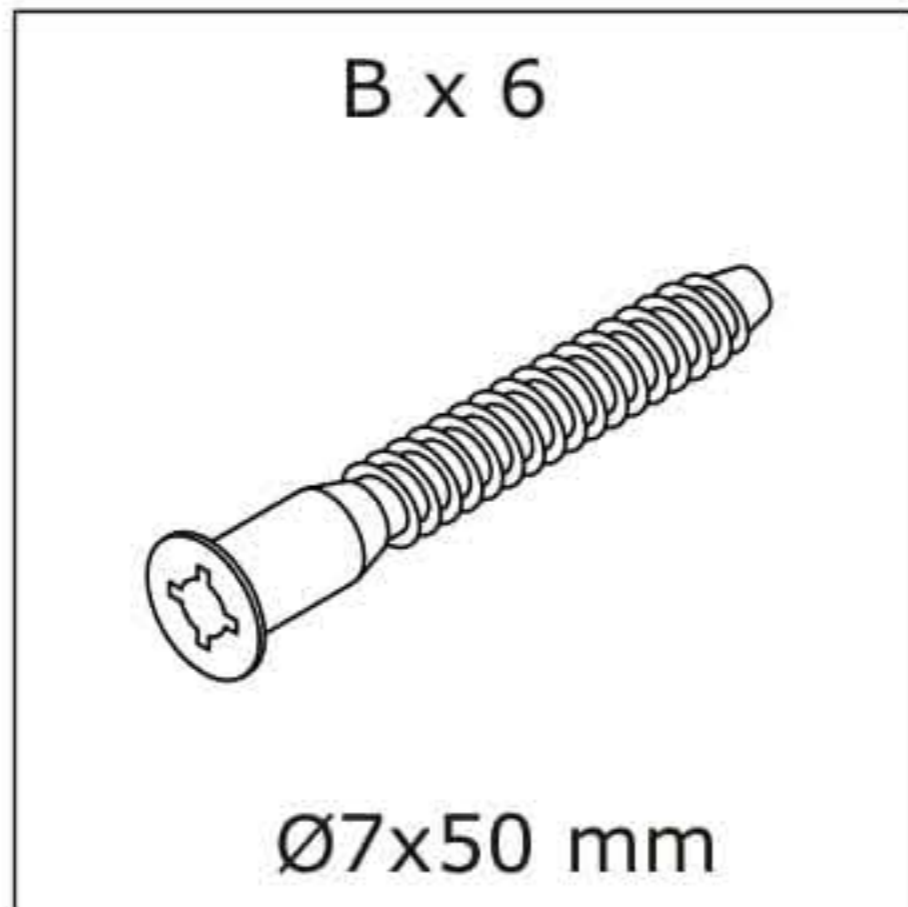
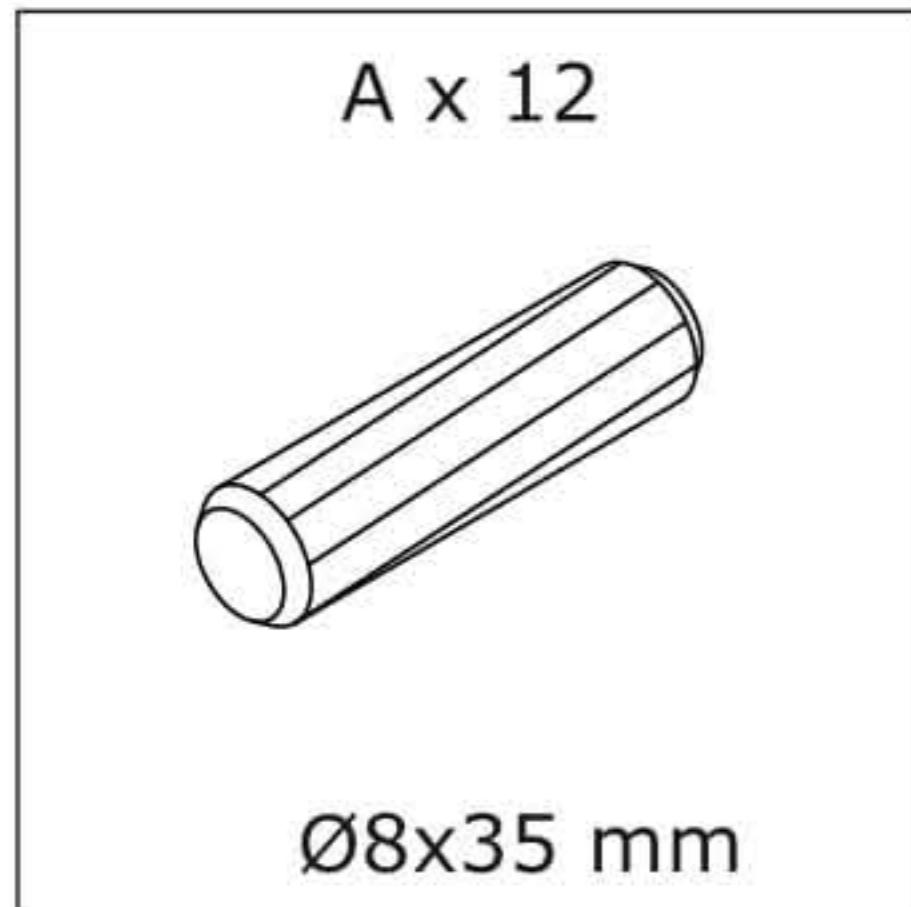
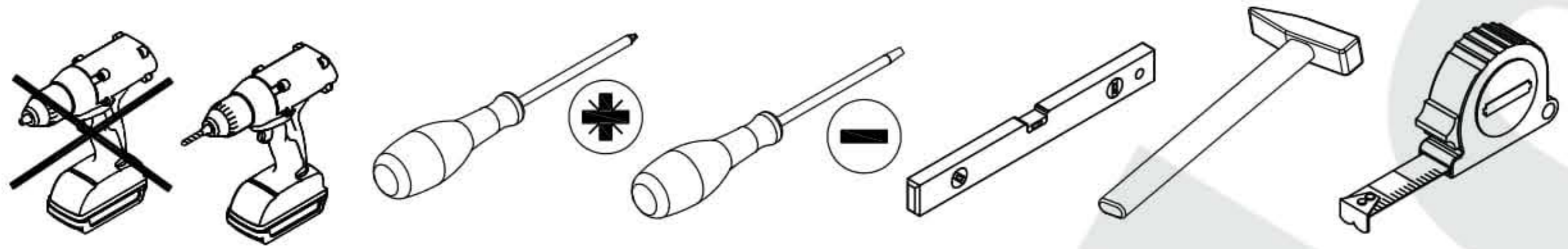
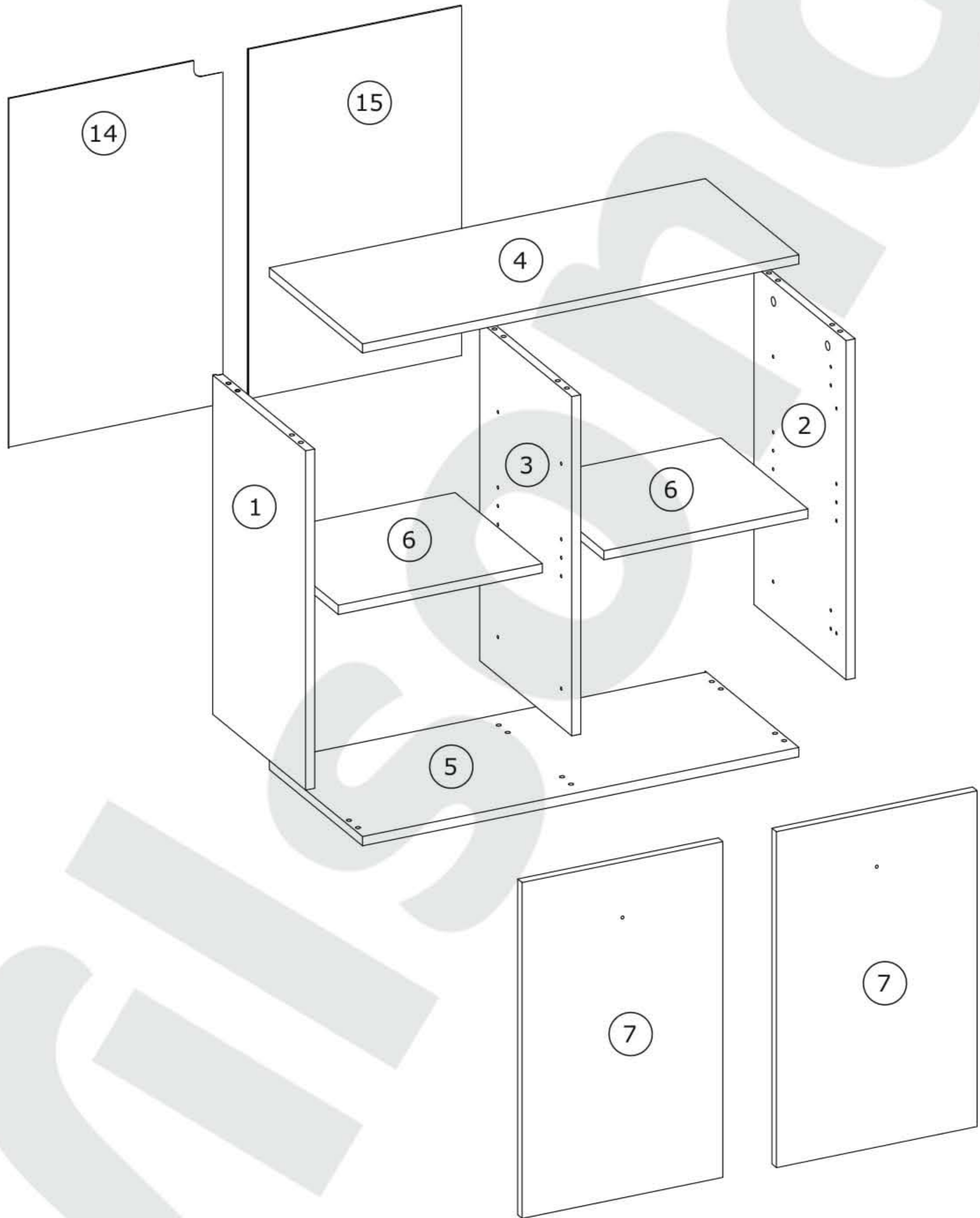


# Linea 9

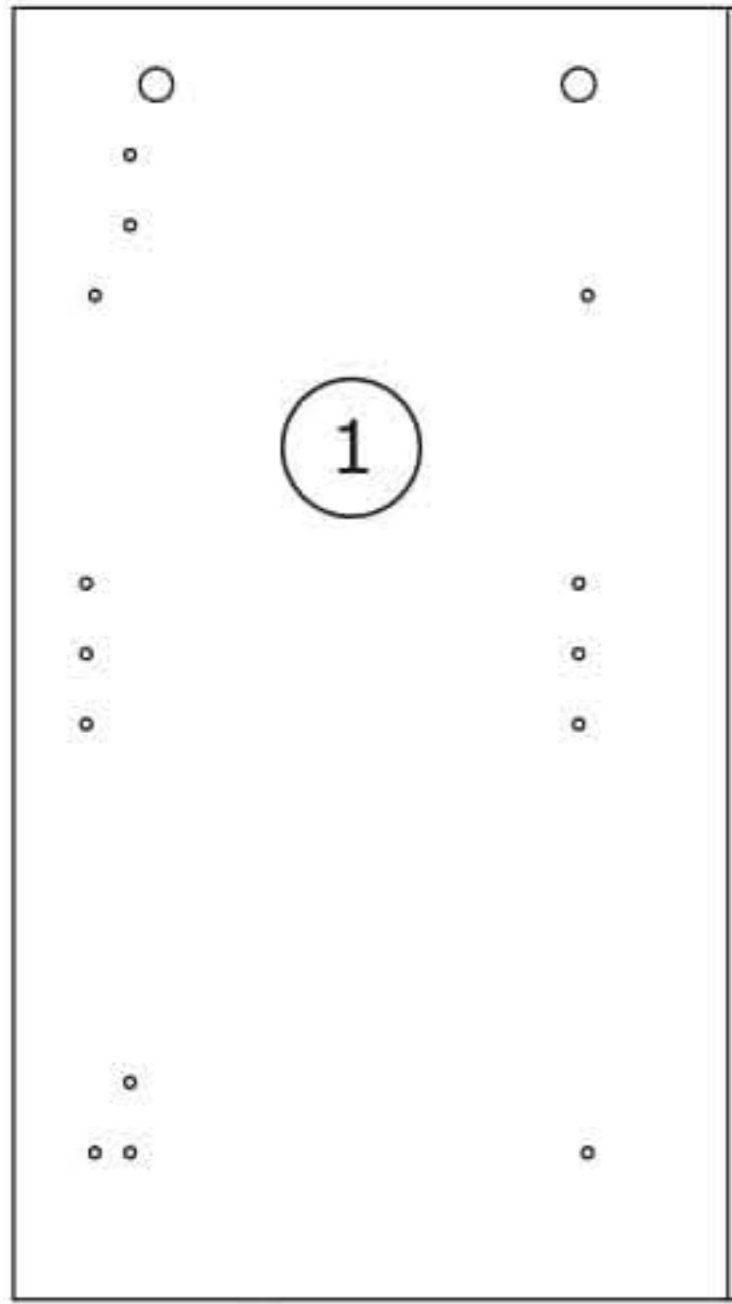
## Cupboard 2D



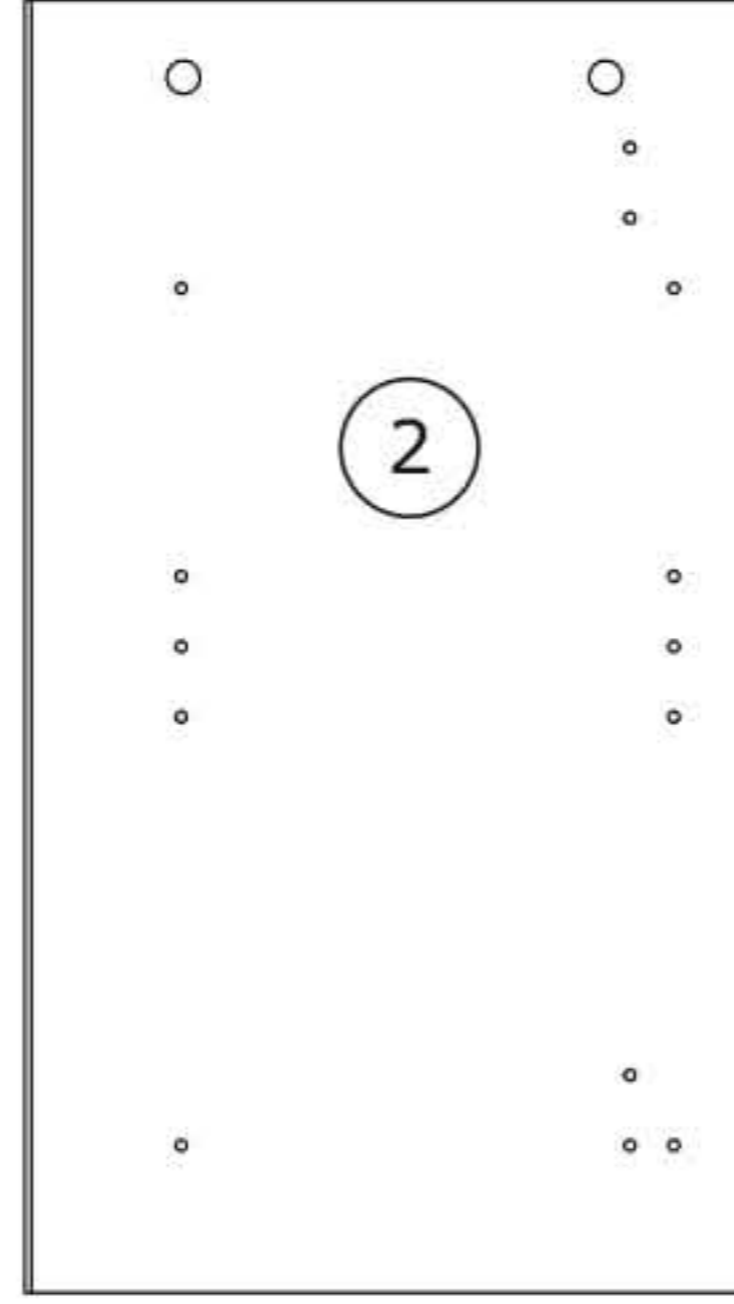




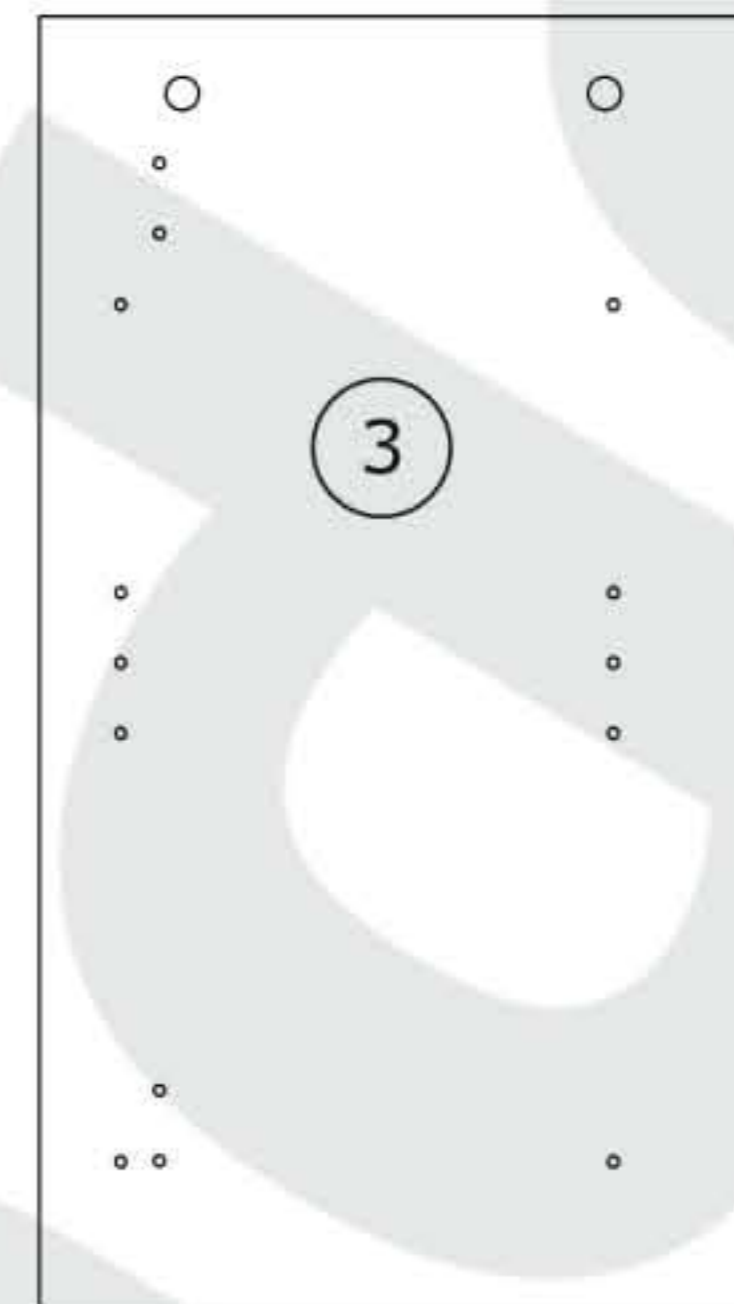
**BOX 1/1:**



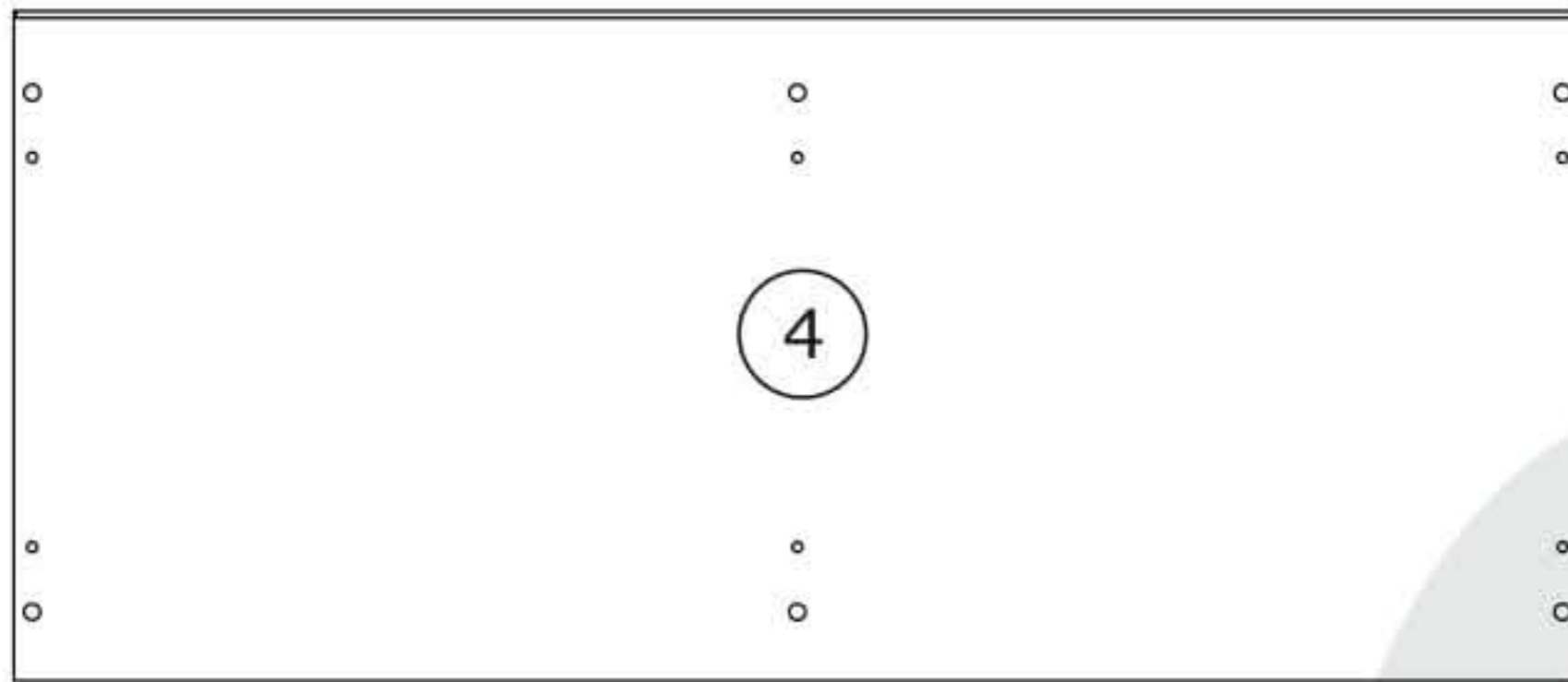
588x329x16 mm



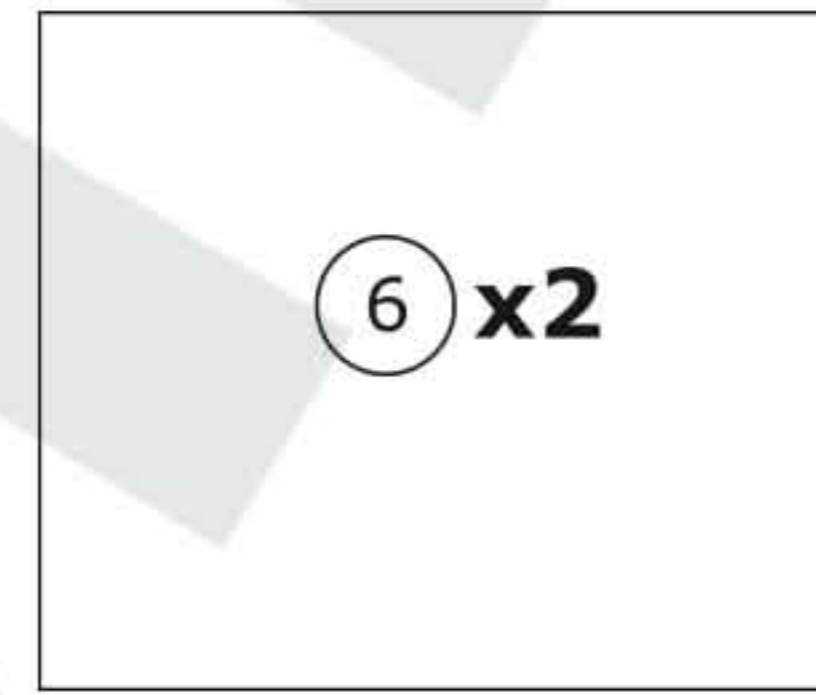
588x329x16 mm



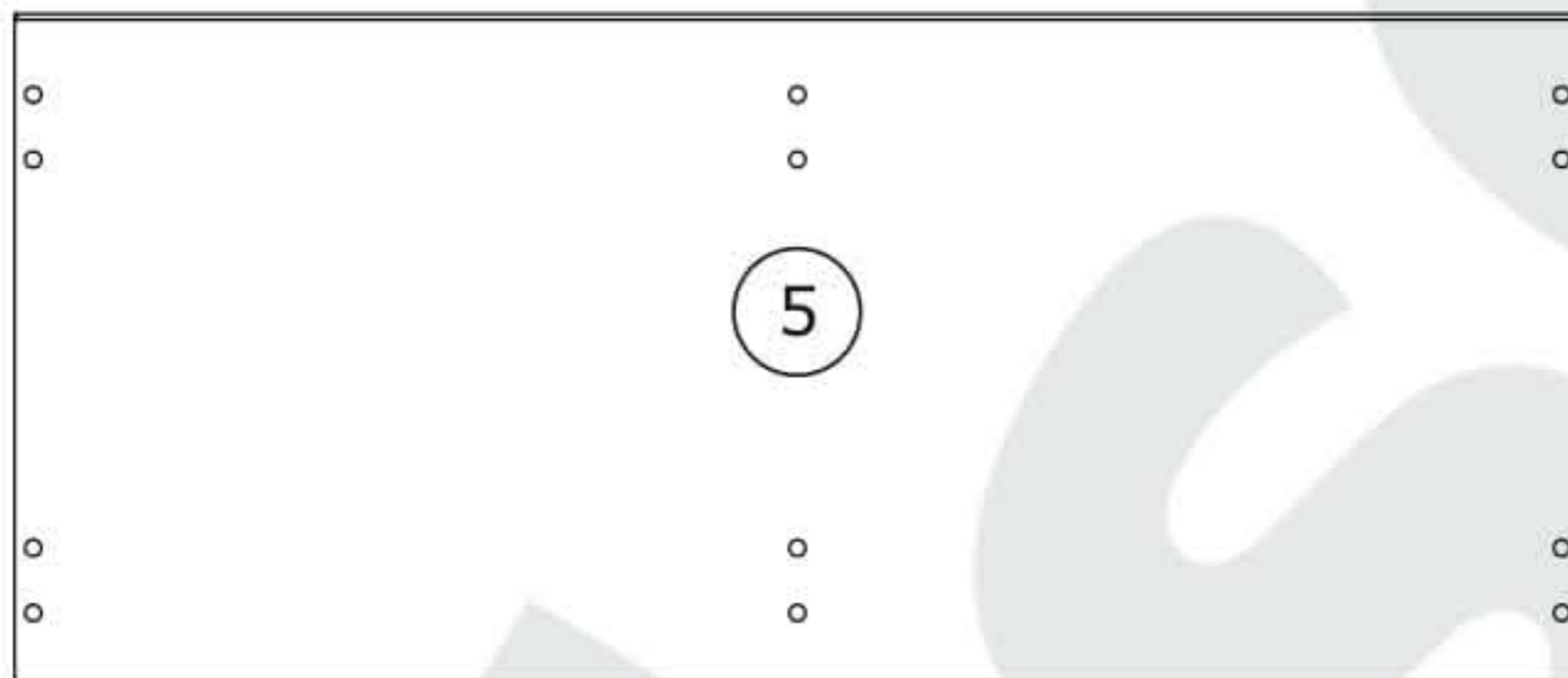
588x326x16 mm



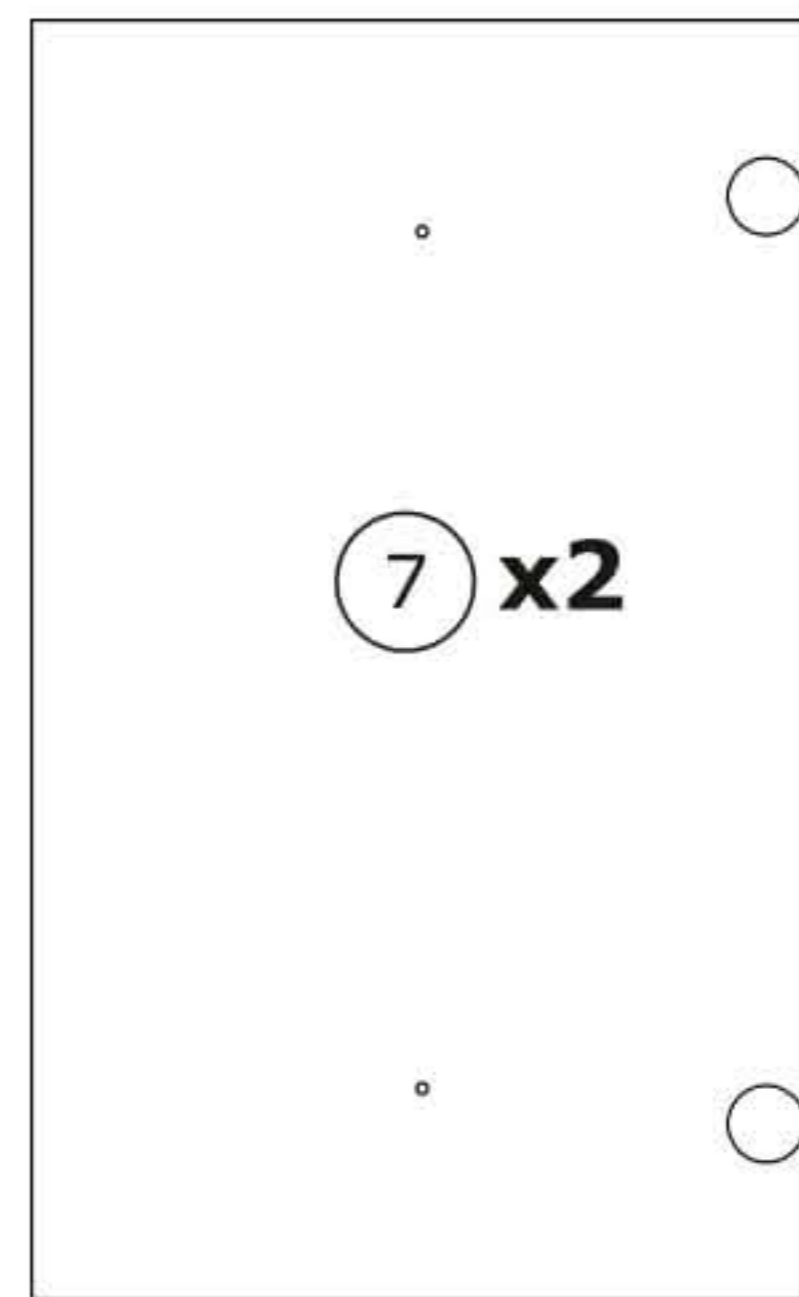
772x330x16 mm



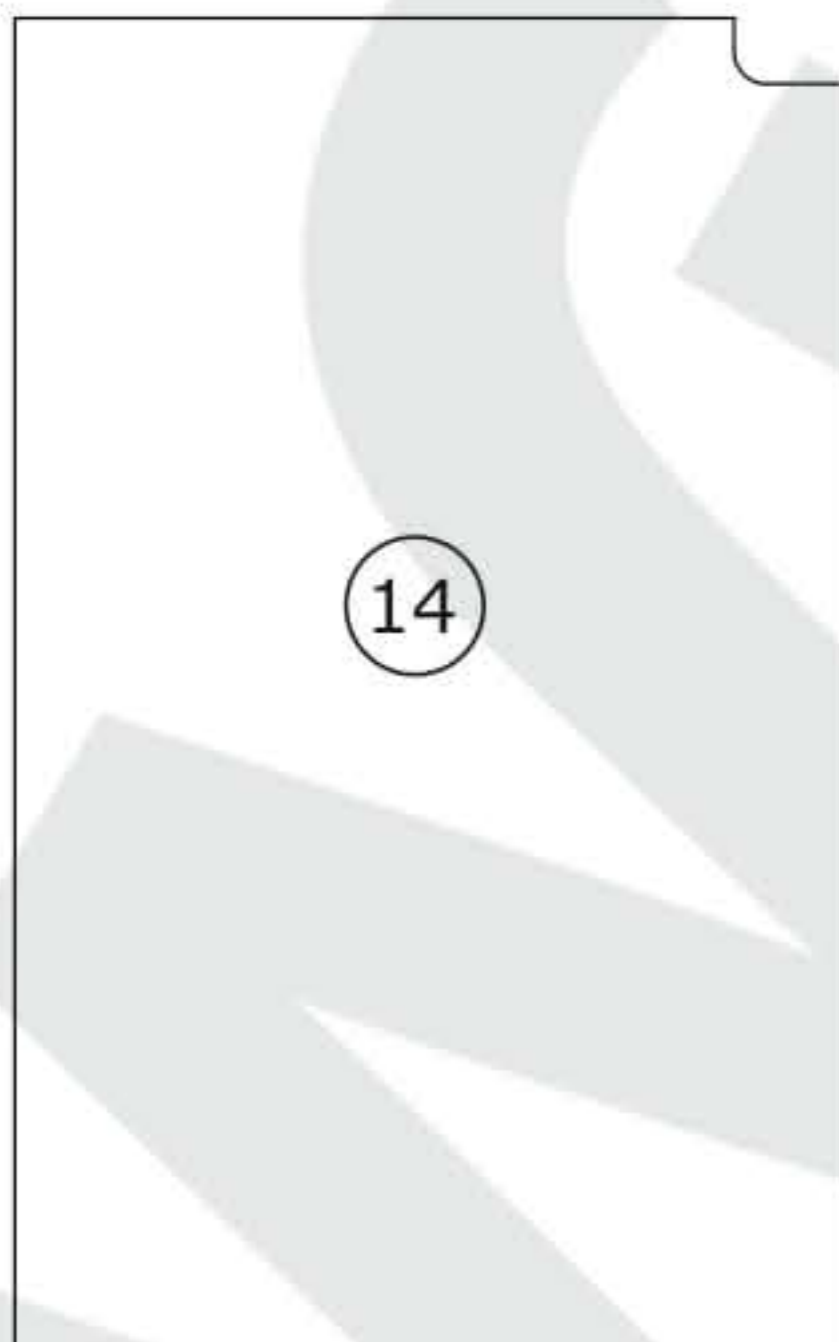
361x308x16 mm



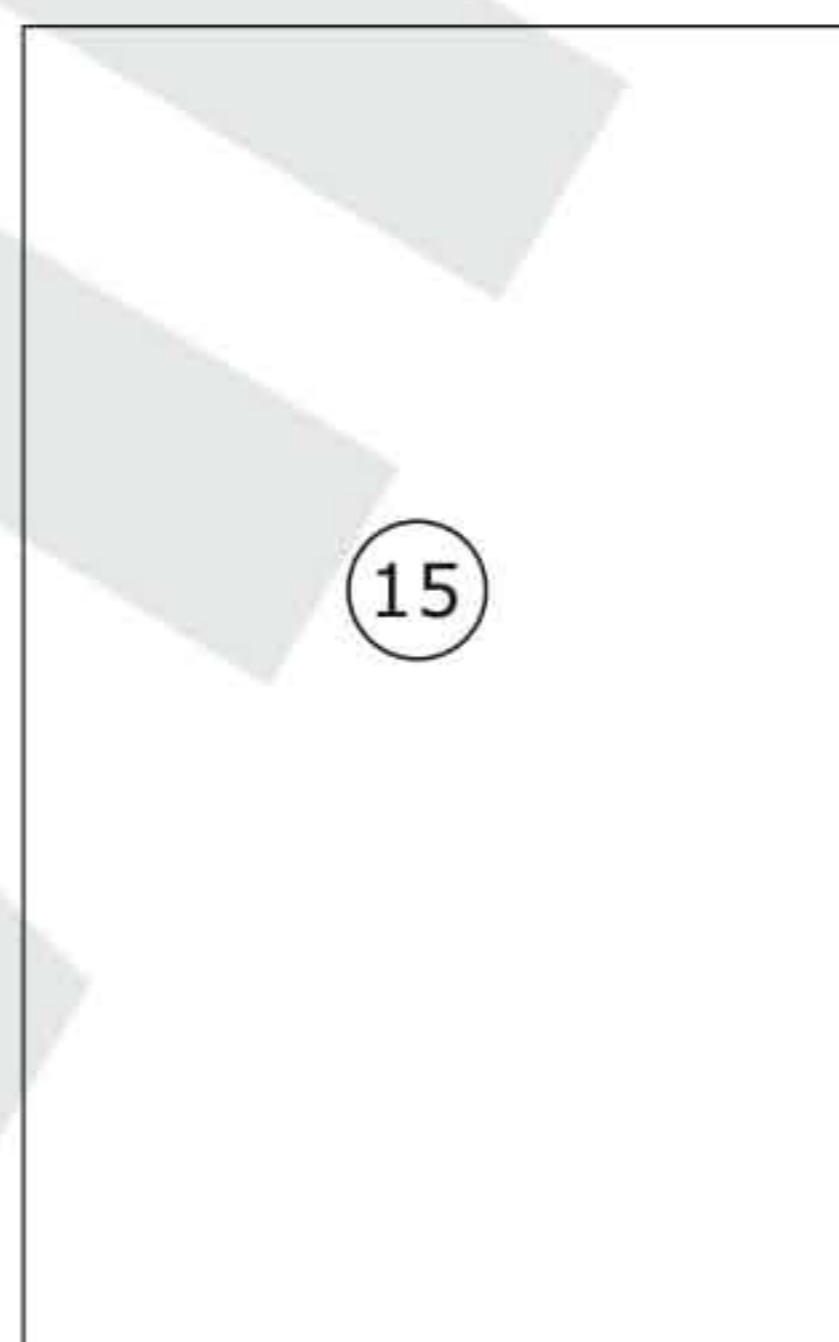
772x330x16 mm



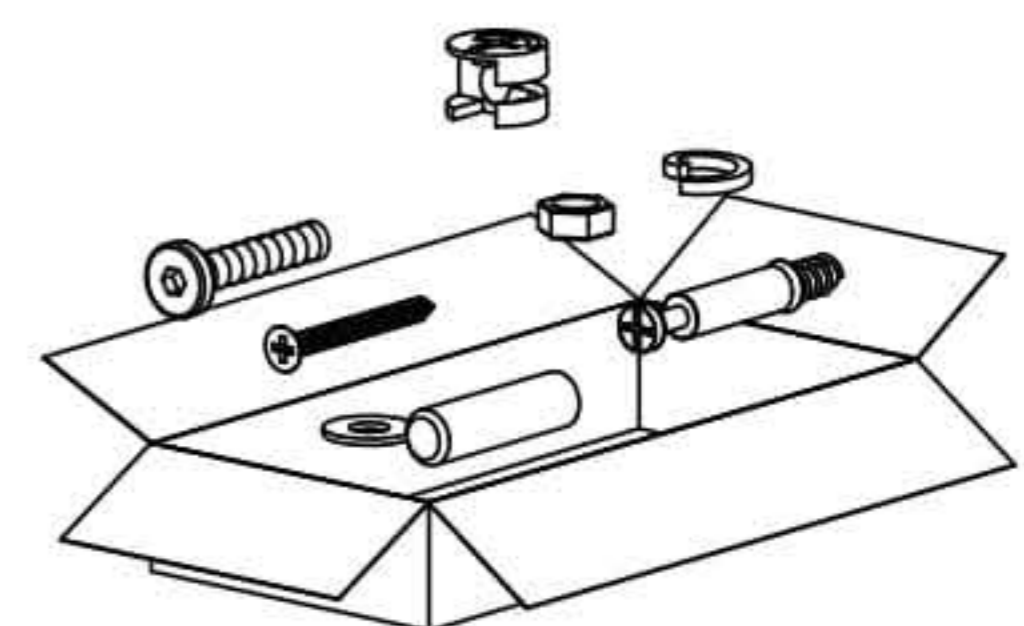
582x355x16 mm




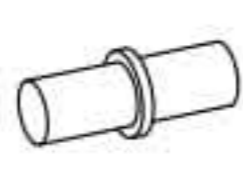
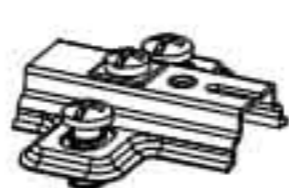
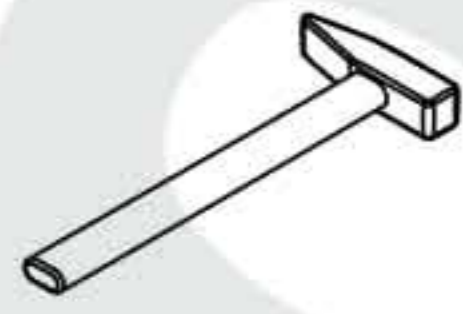
606x377x2,5 mm

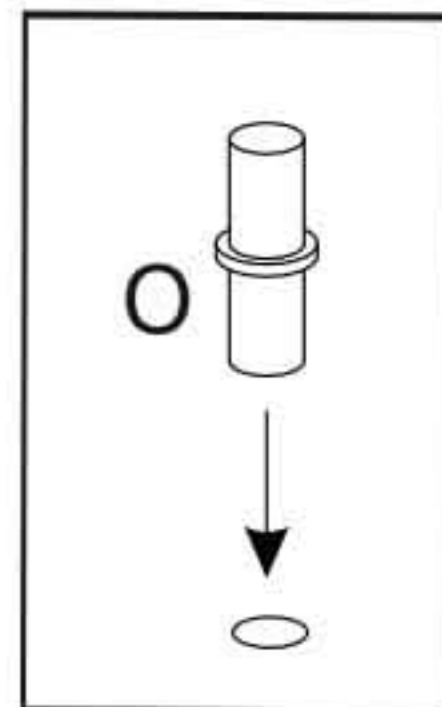
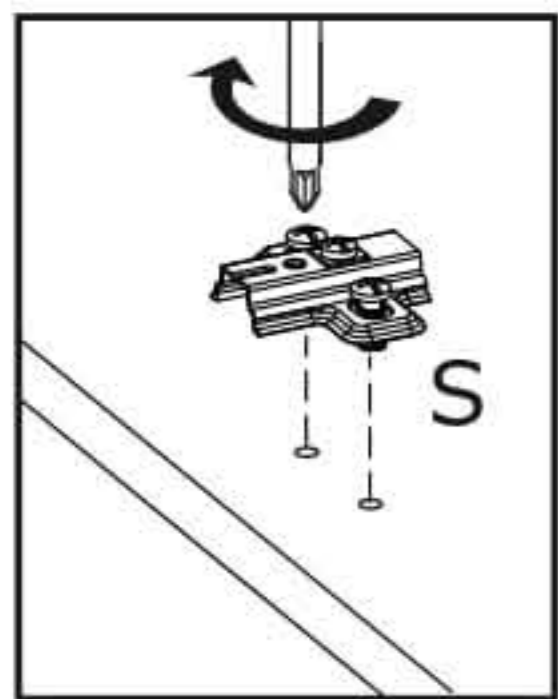
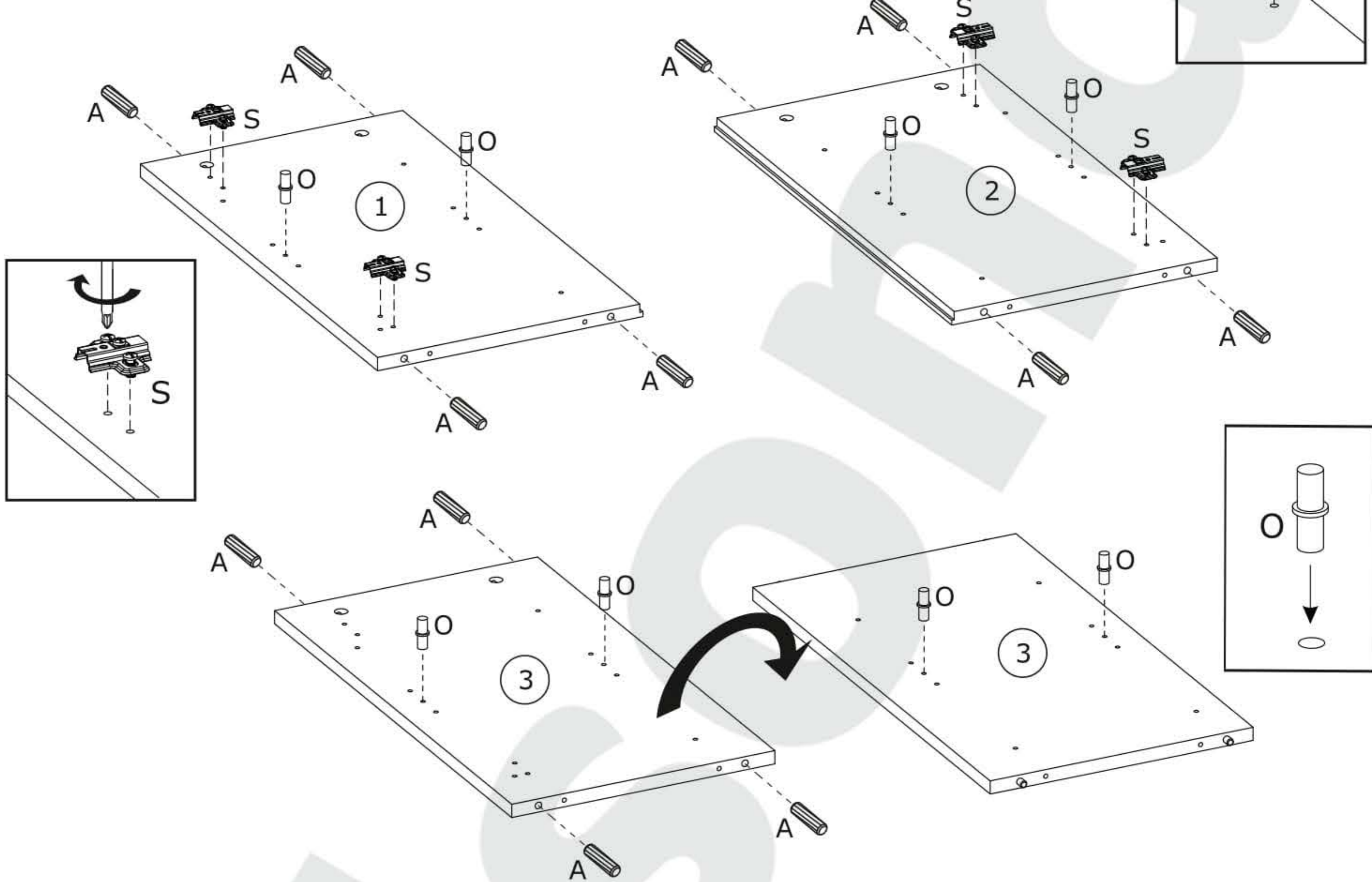
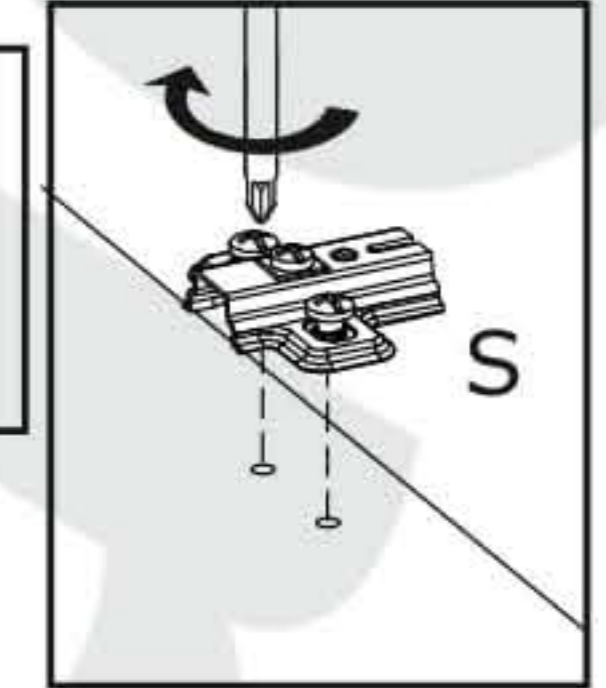
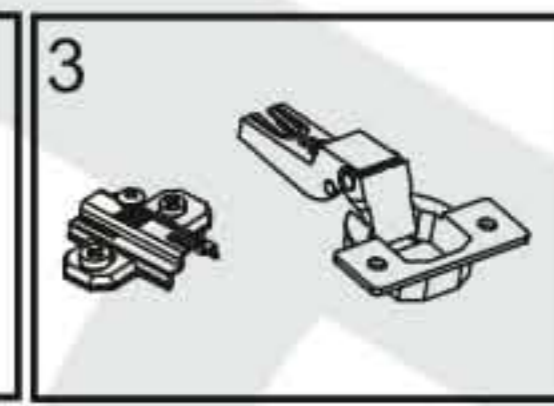
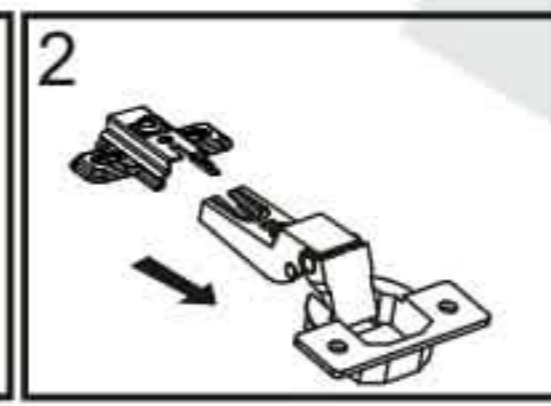
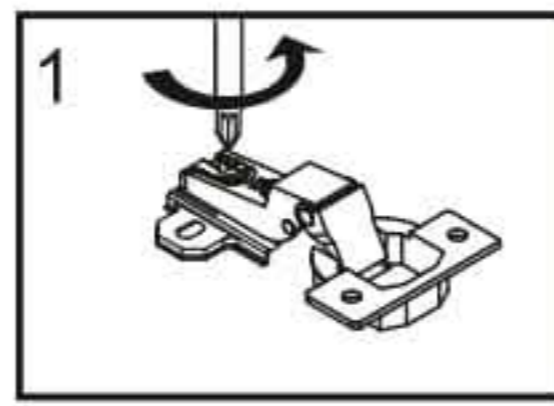
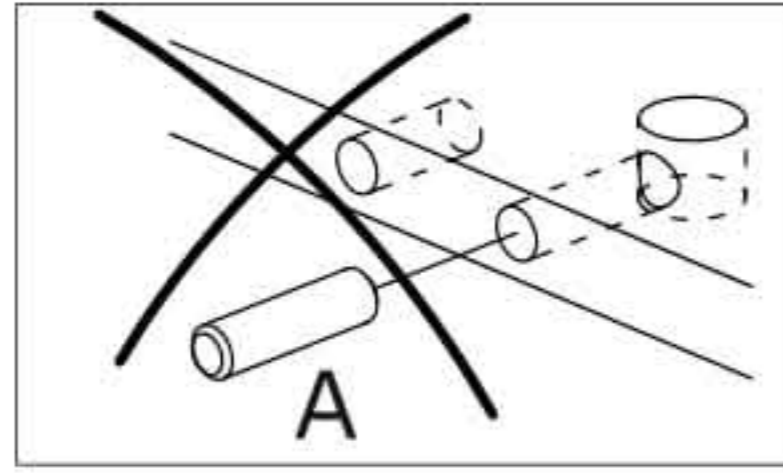
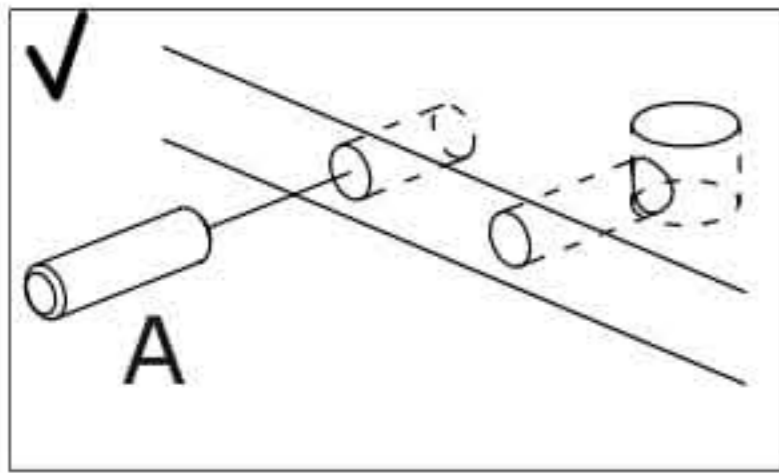


606x377x2,5 mm



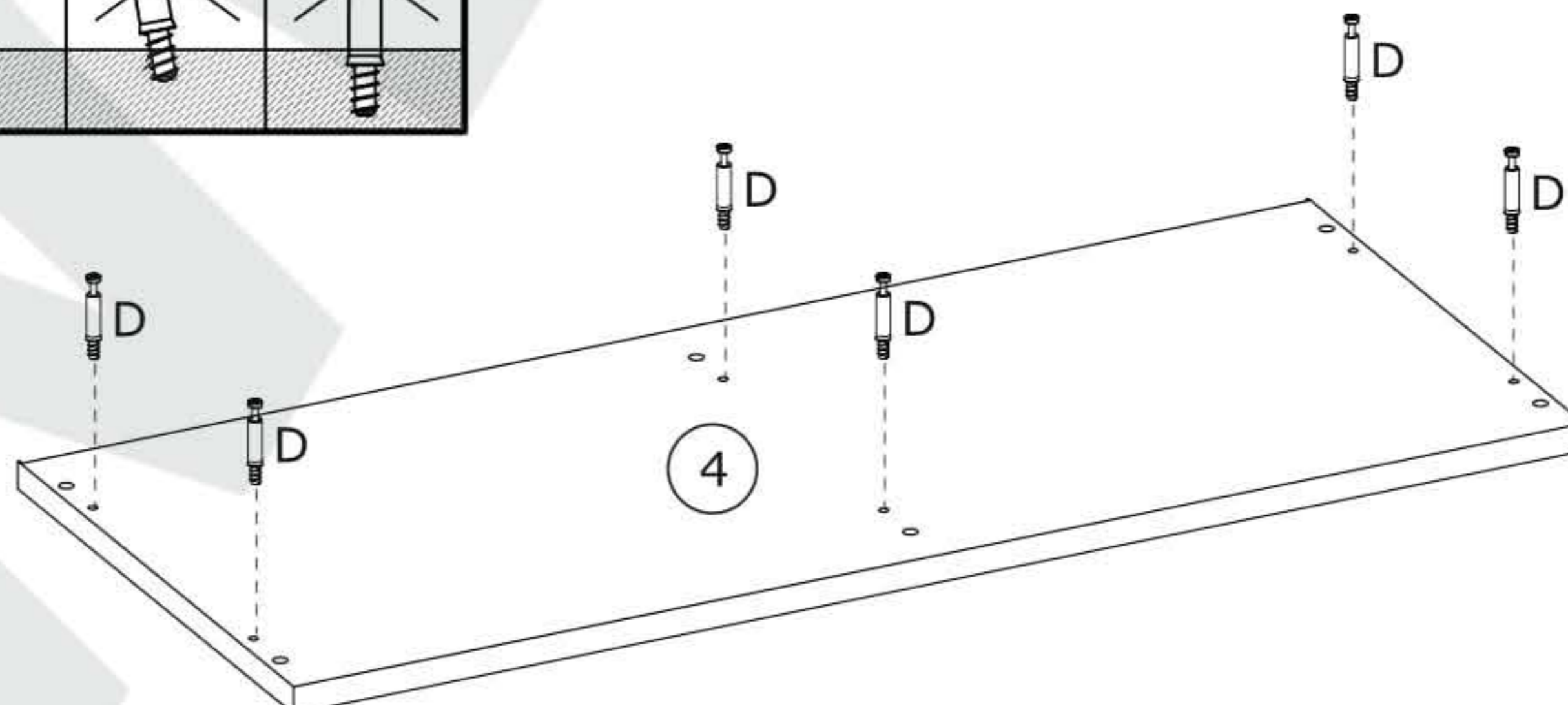
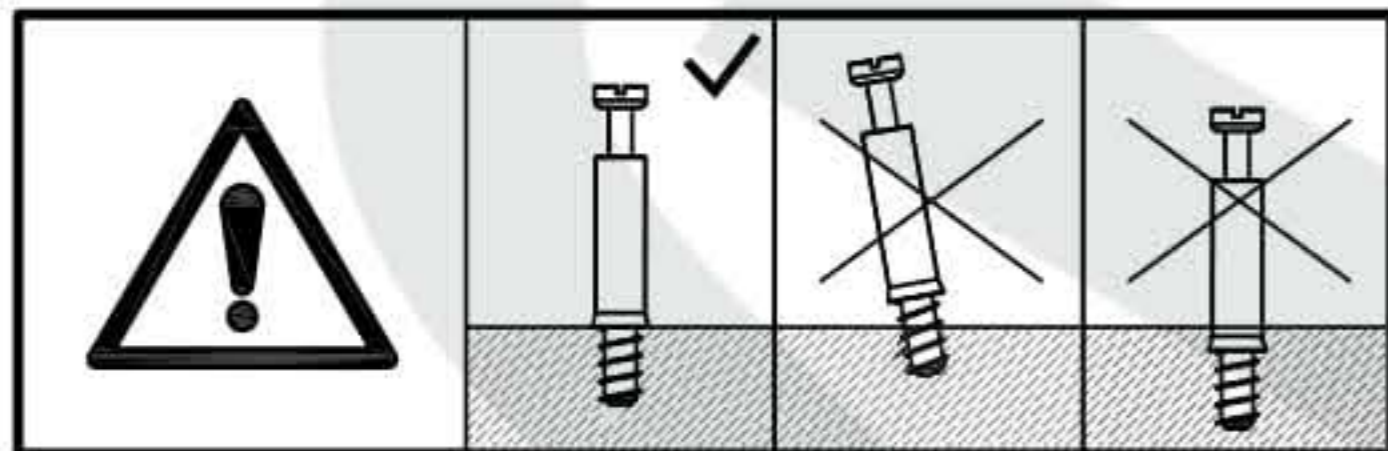
1

A x 12  Ø8x35 mm	O x 8  Ø5 mm	S x 4 	
---	---	---	---



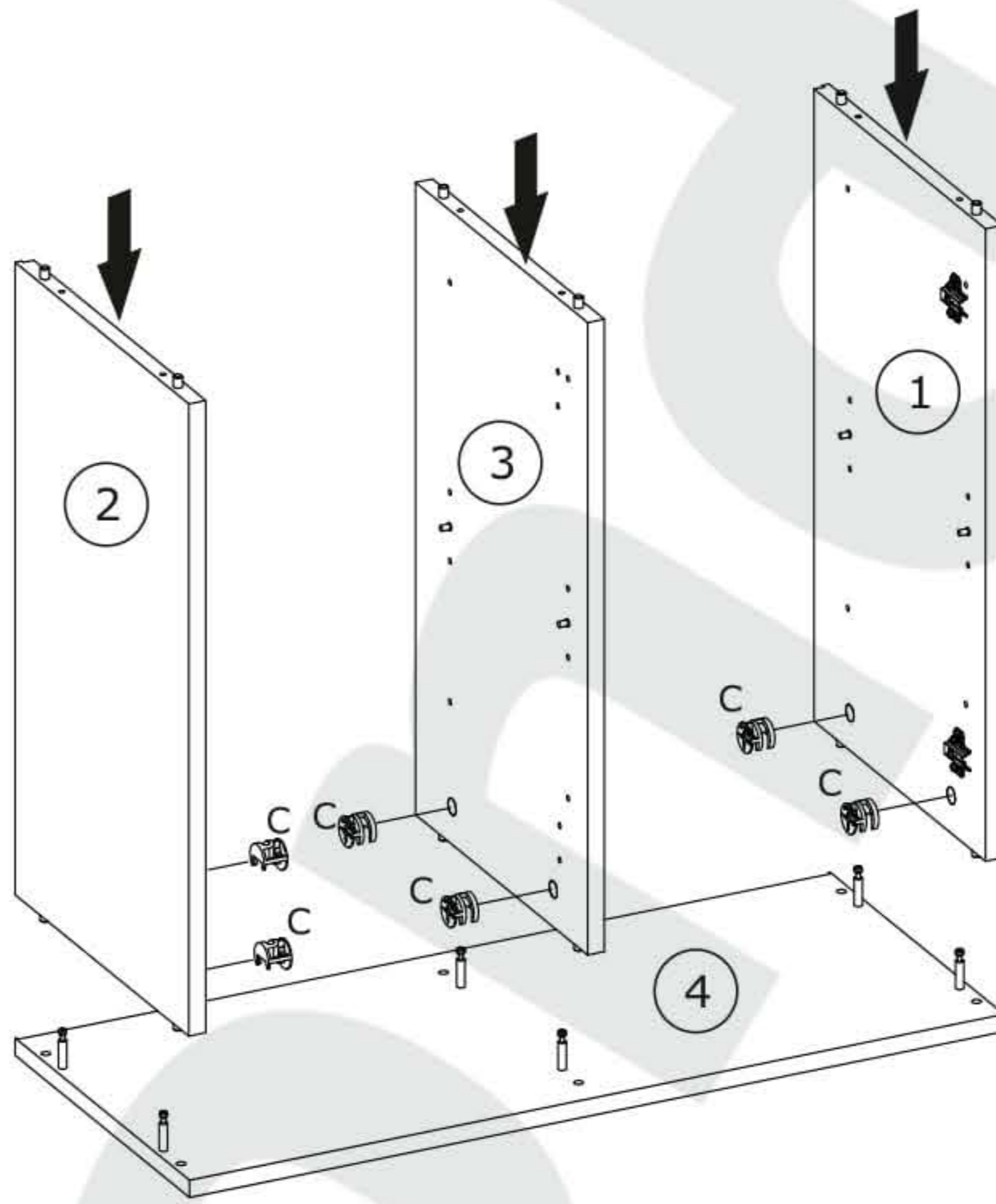
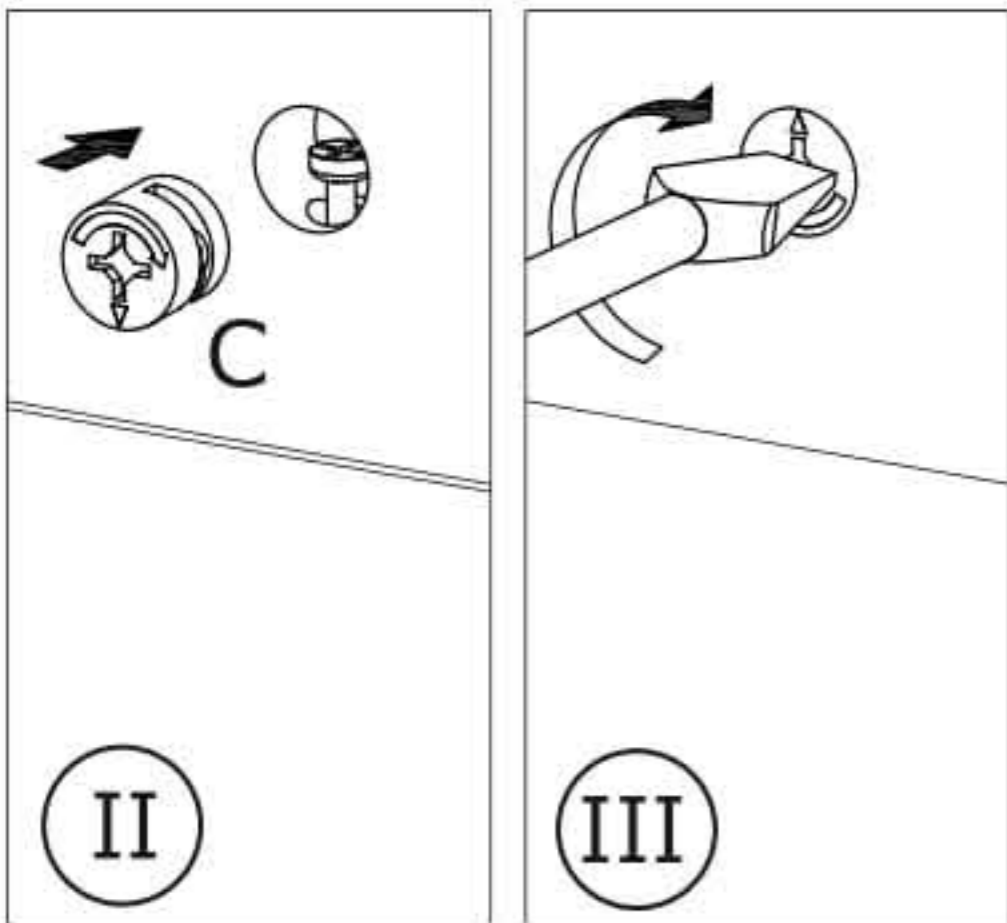
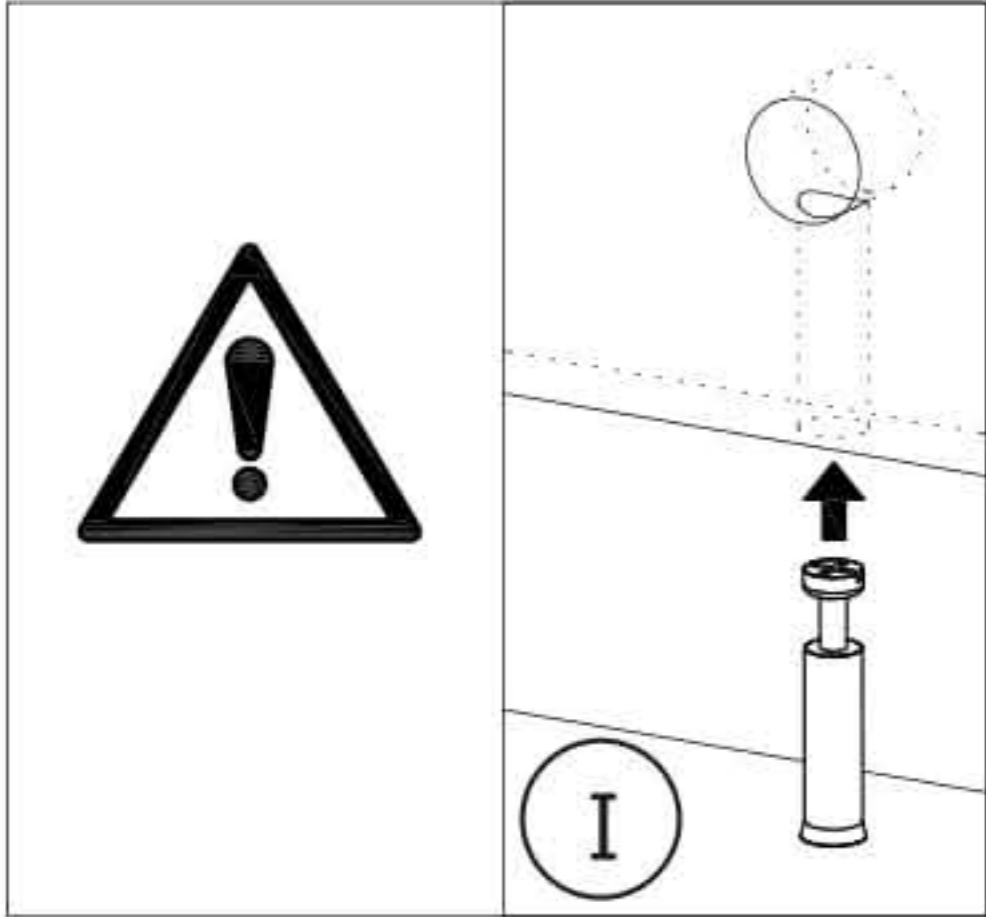
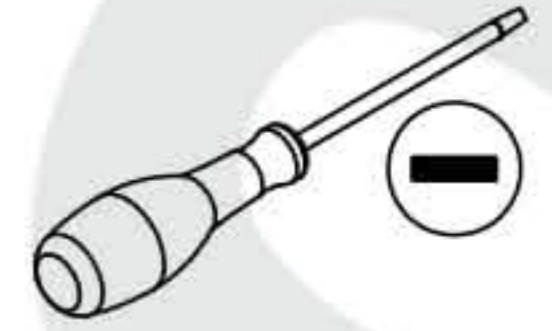
2

D x 6  Ø5x44 mm	
--	---



3

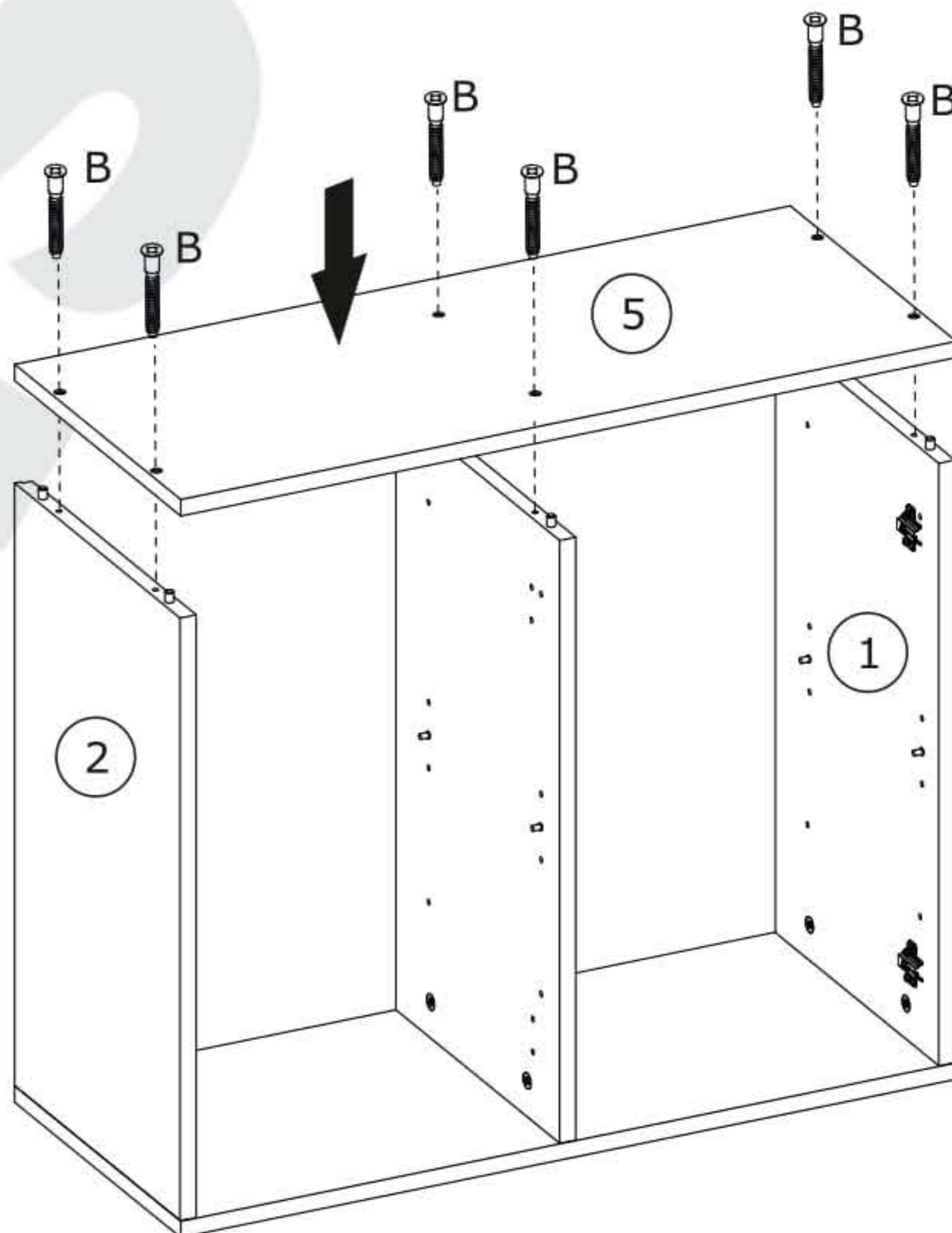
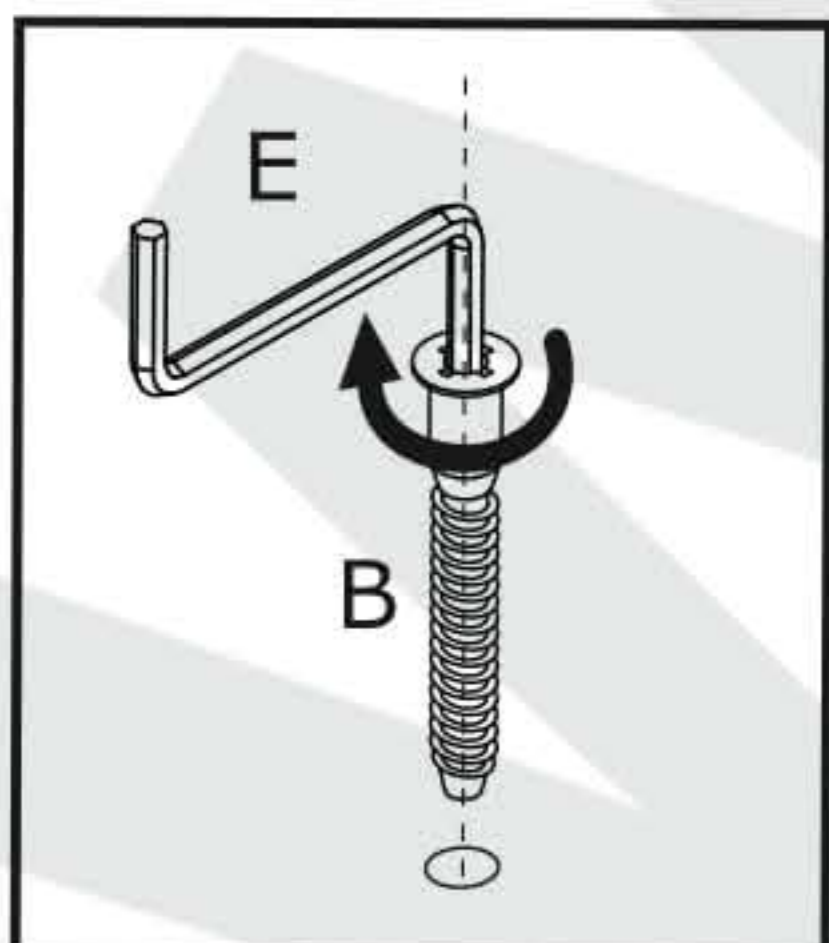
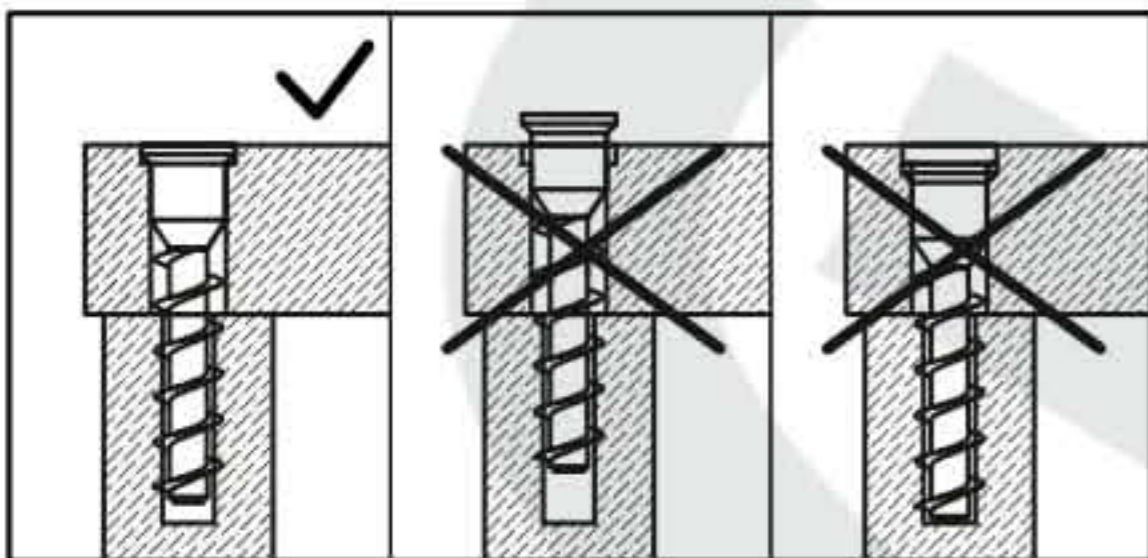
C x 6  
Ø15x12 mm



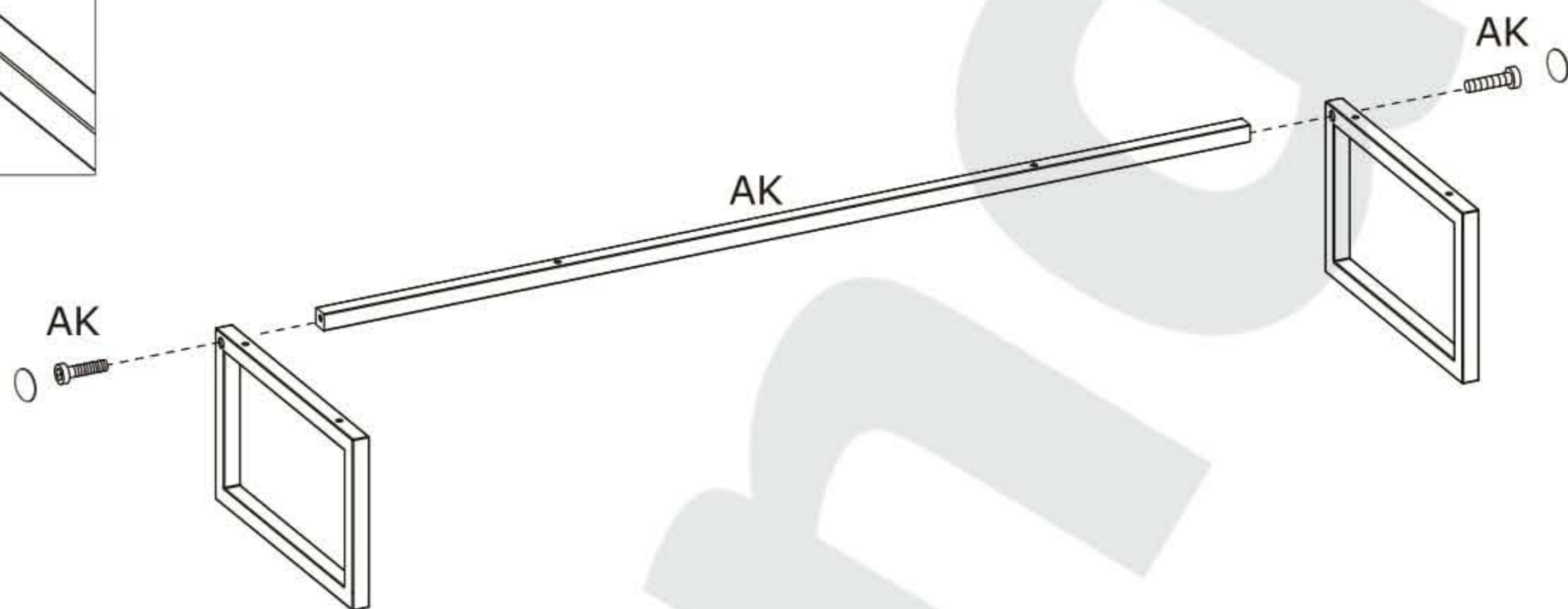
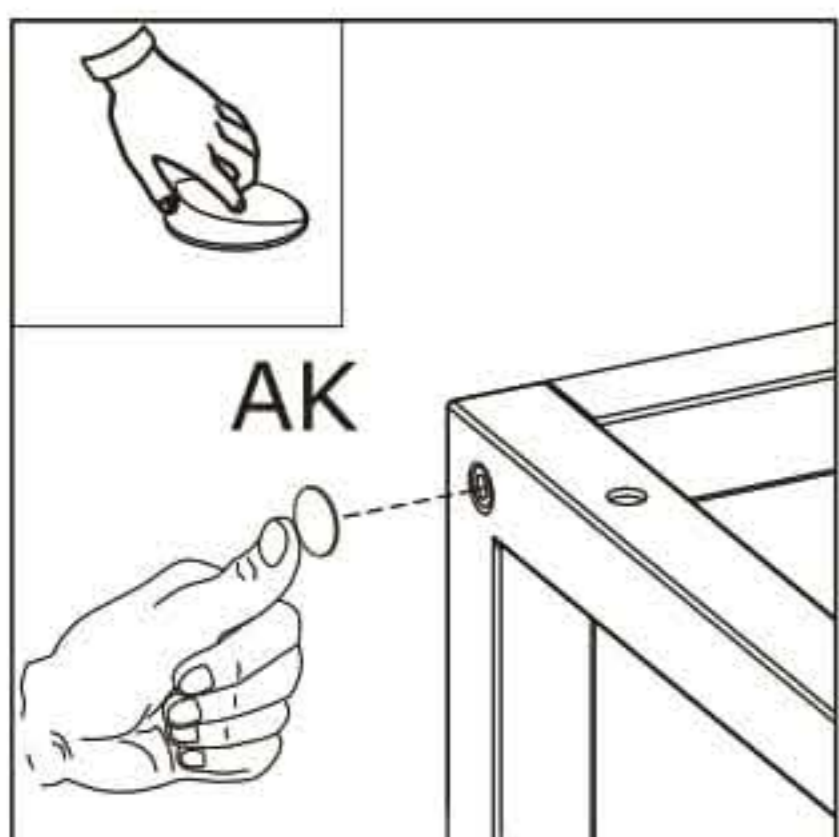
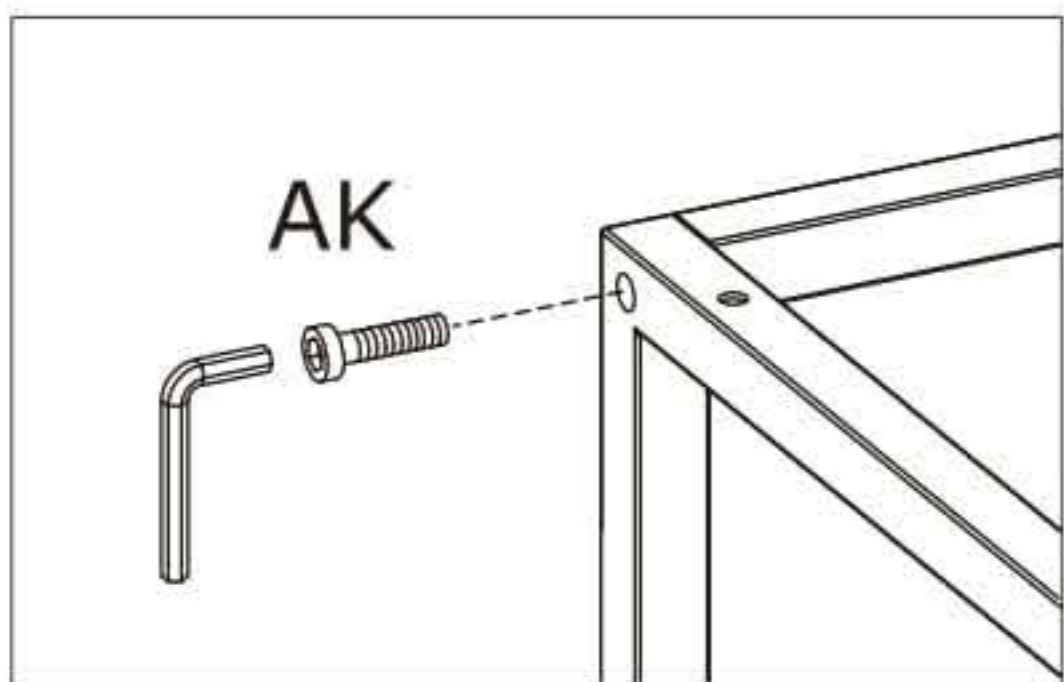
4

B x 6  
Ø7x50 mm

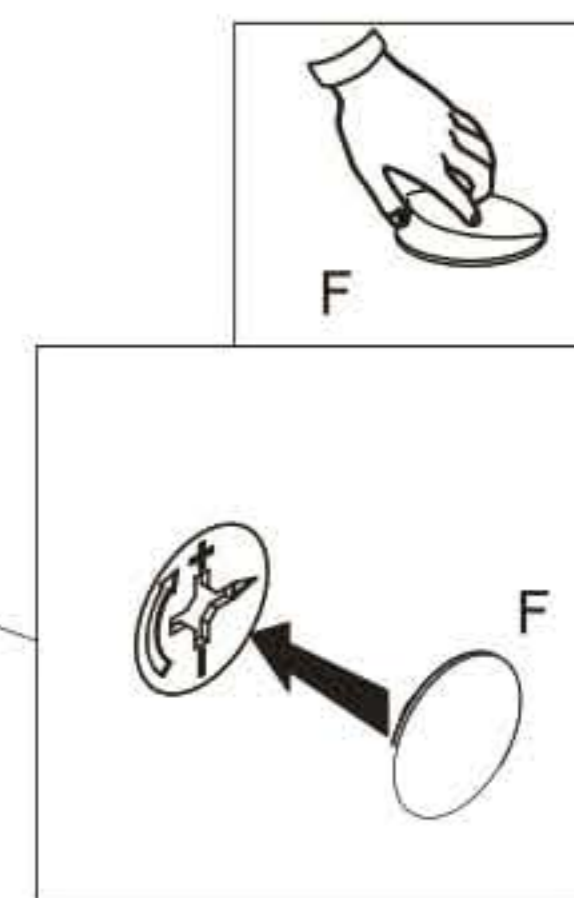
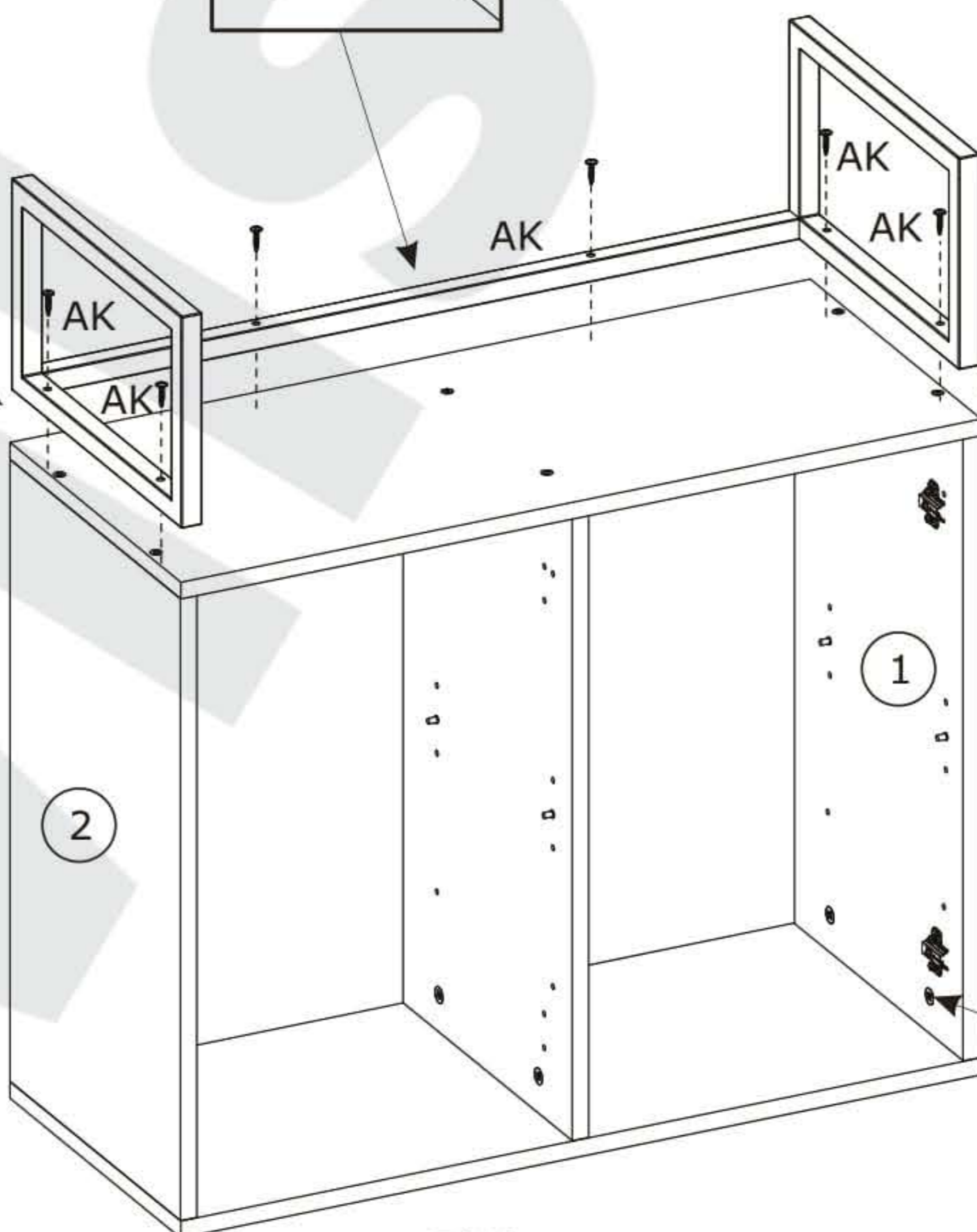
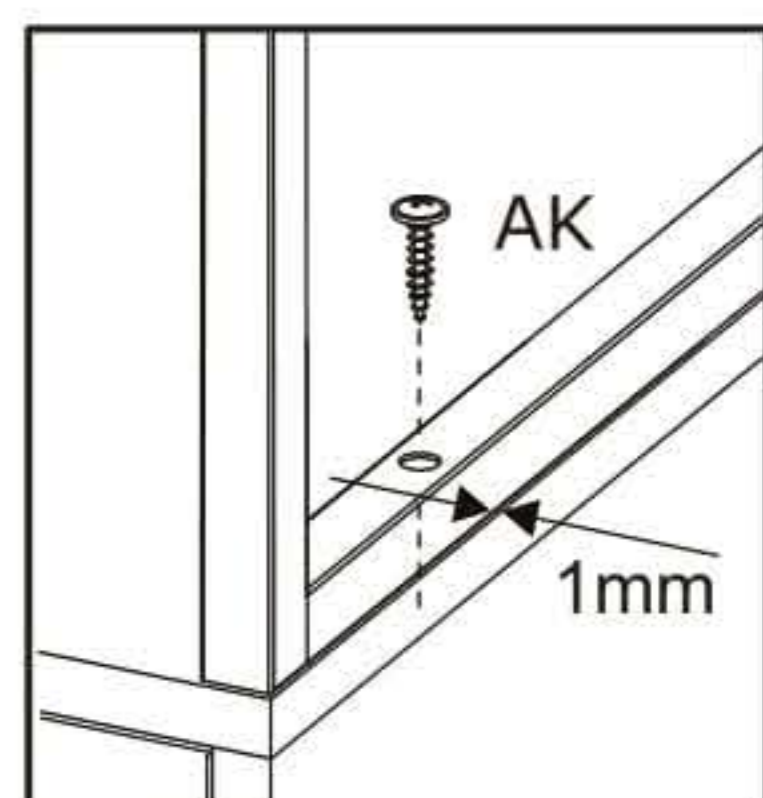
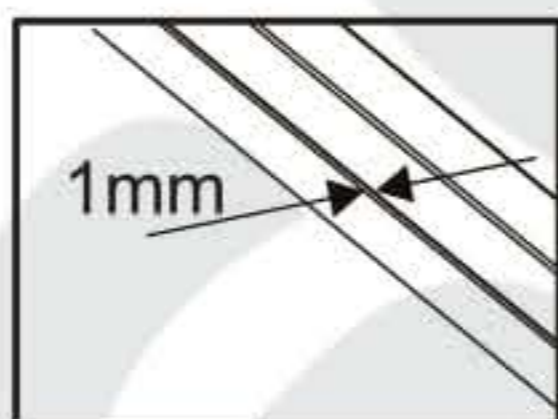
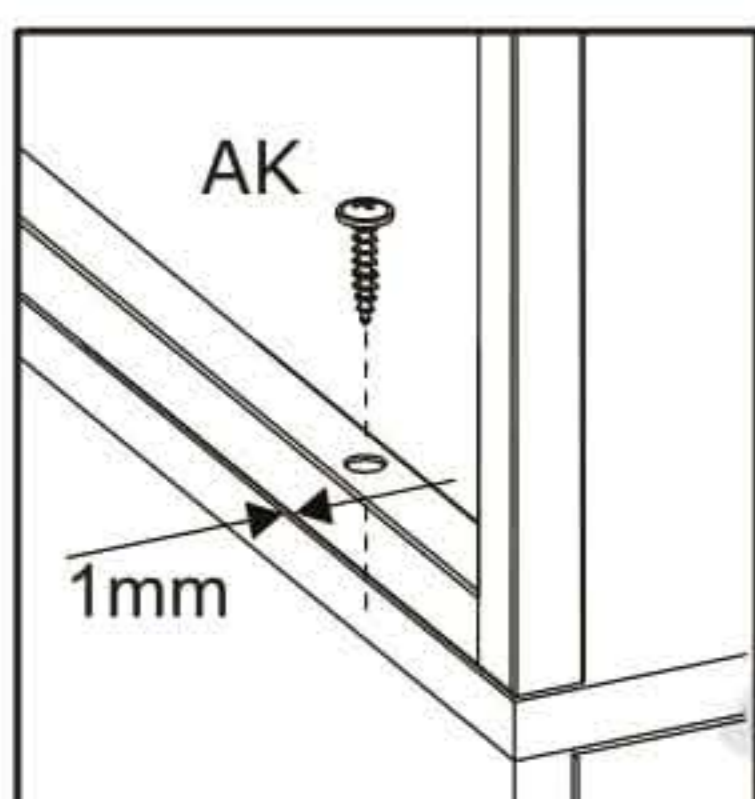
E x 1  
4 mm




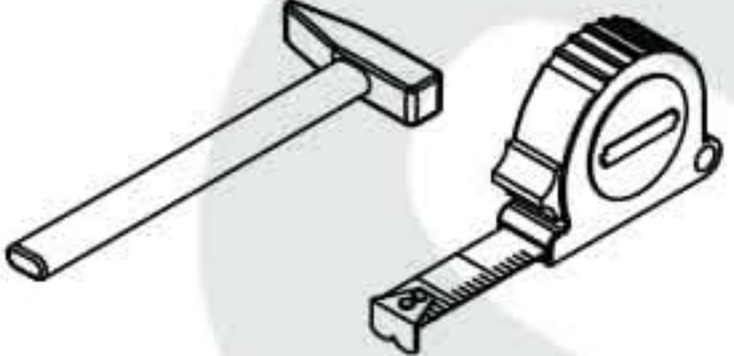
5

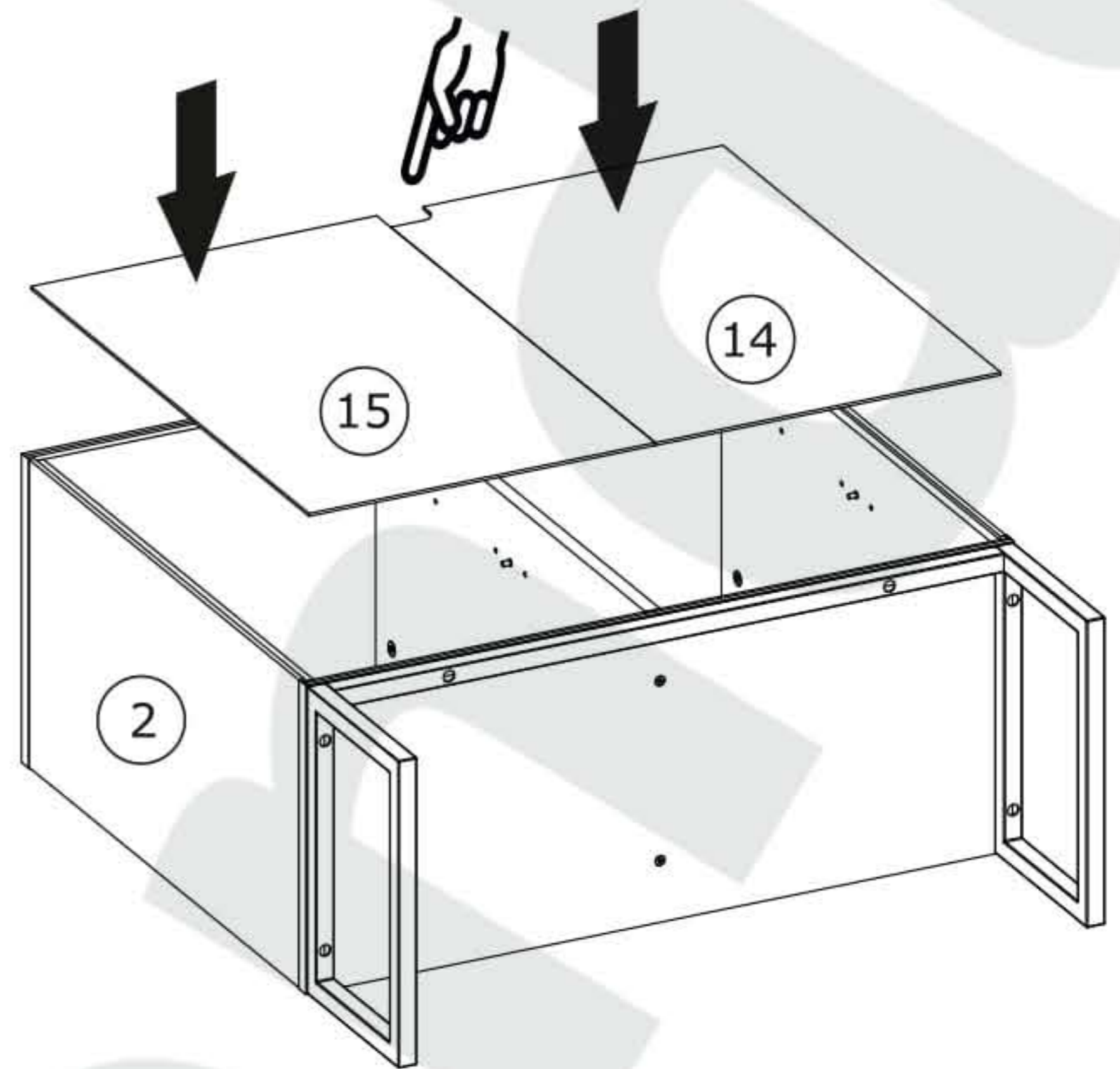



6

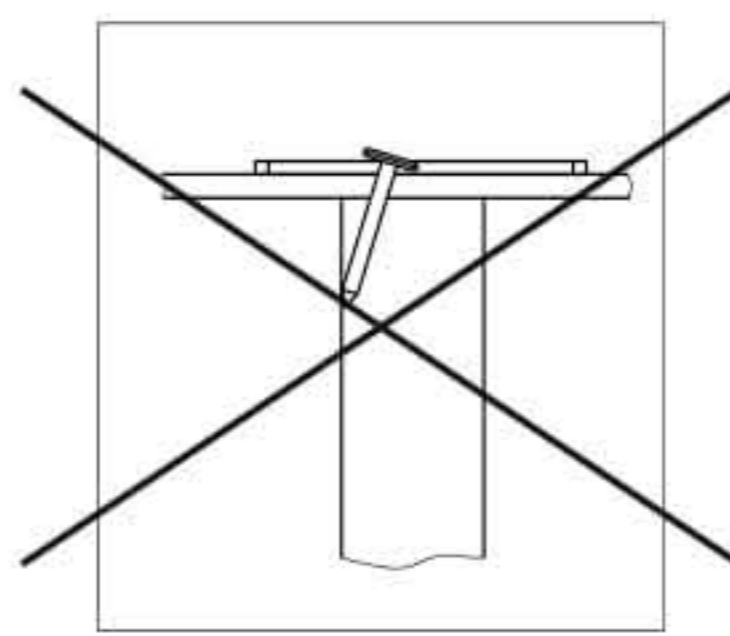
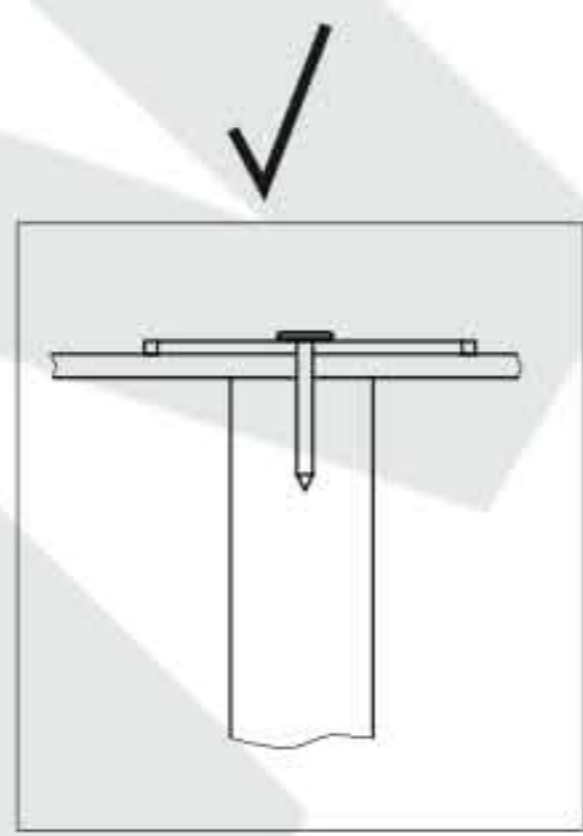
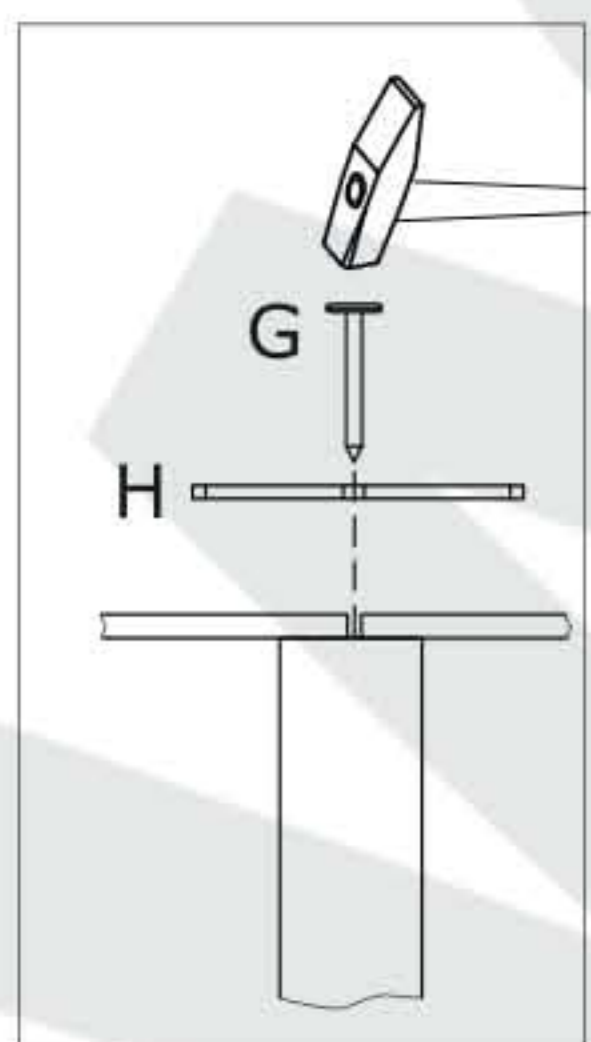
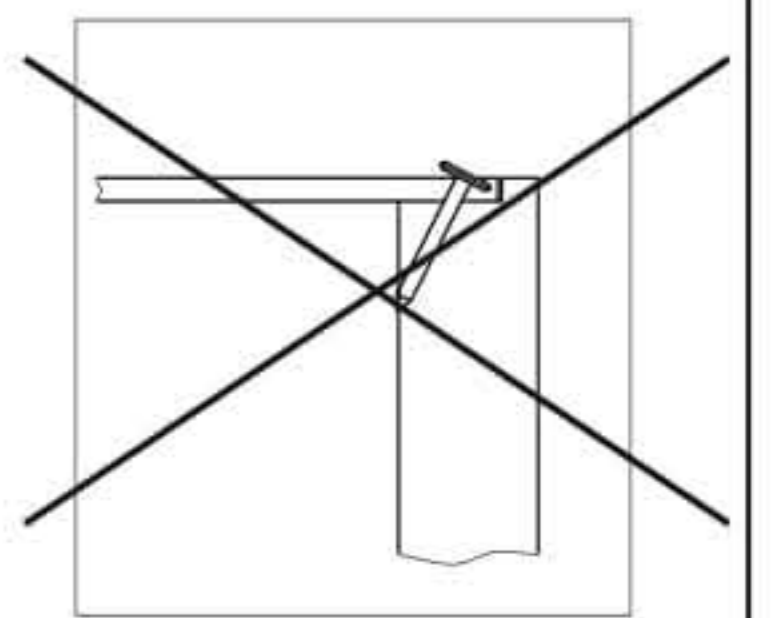
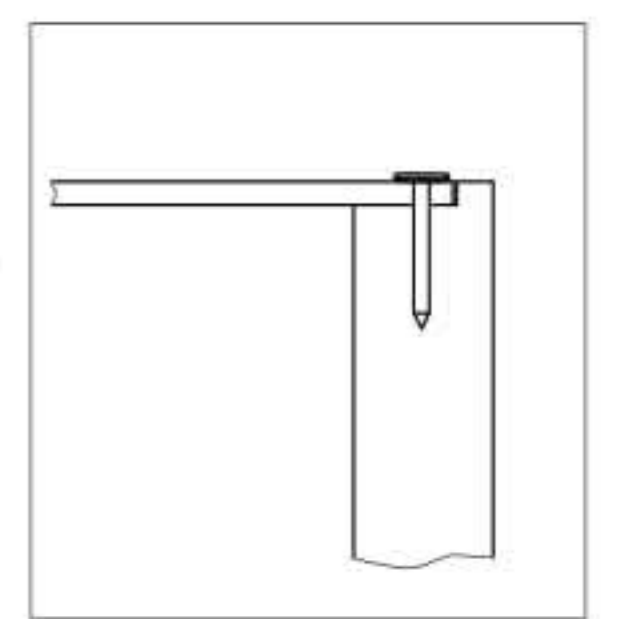
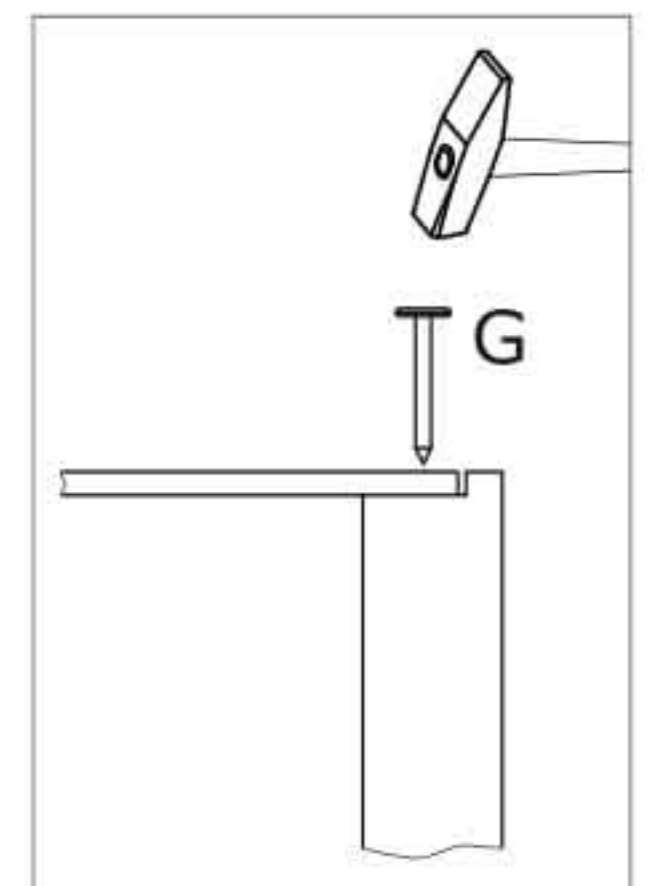
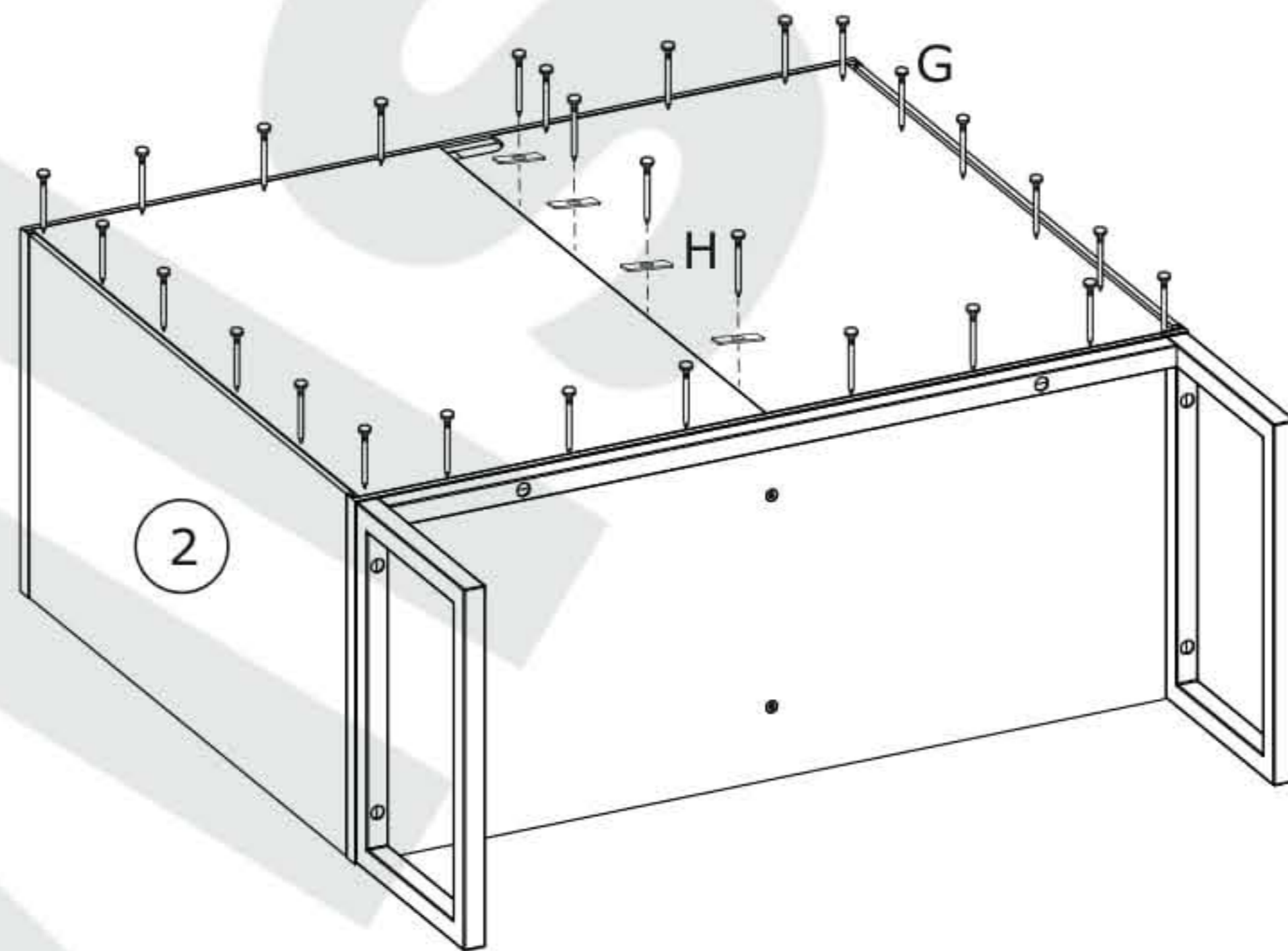
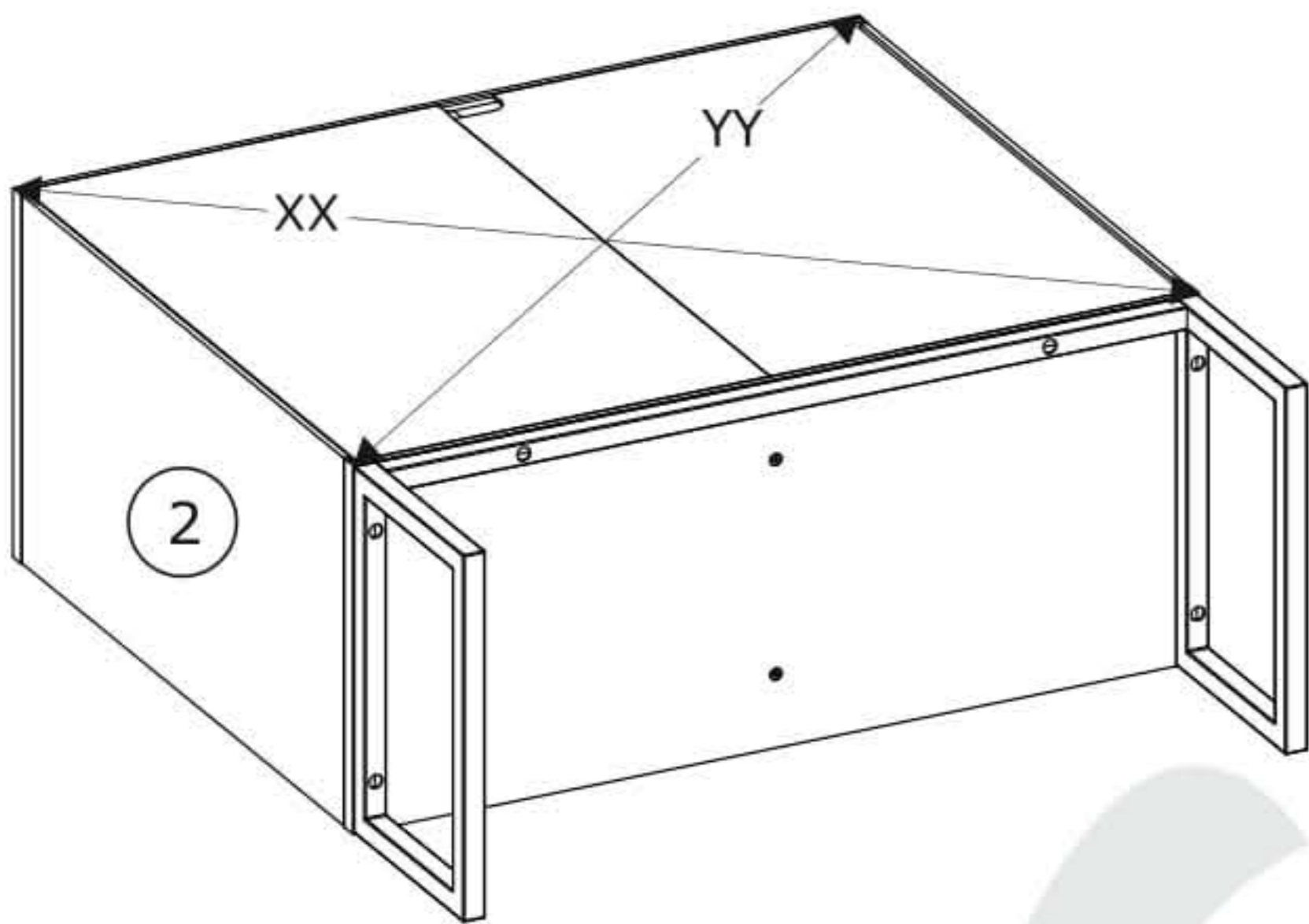


7

G x 28  1.2x25 mm	H x 4  22x9x2 mm	
--	---	---

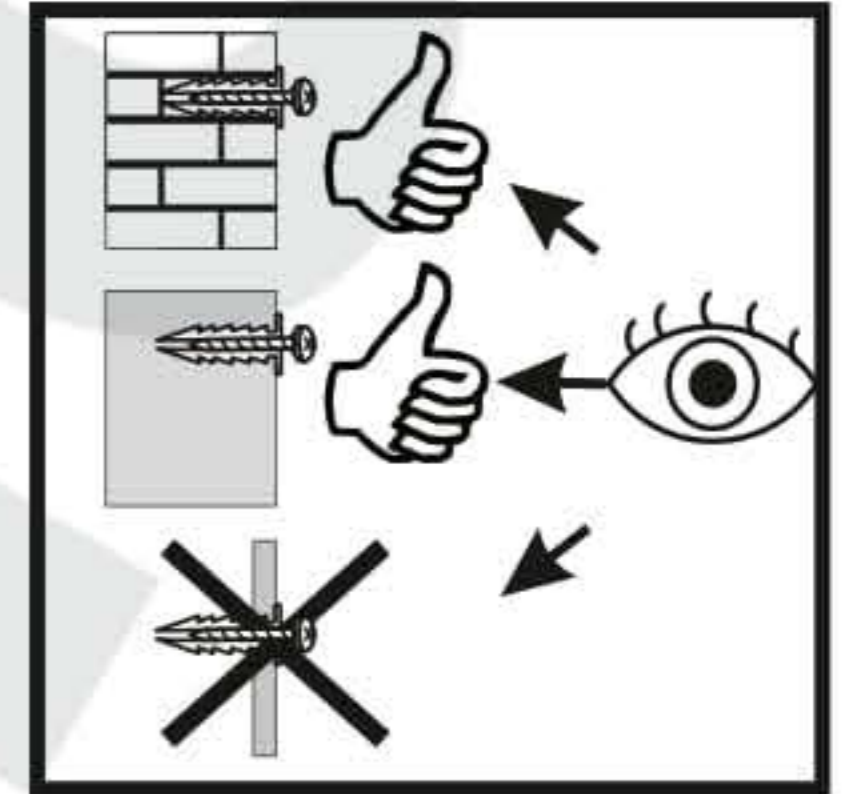
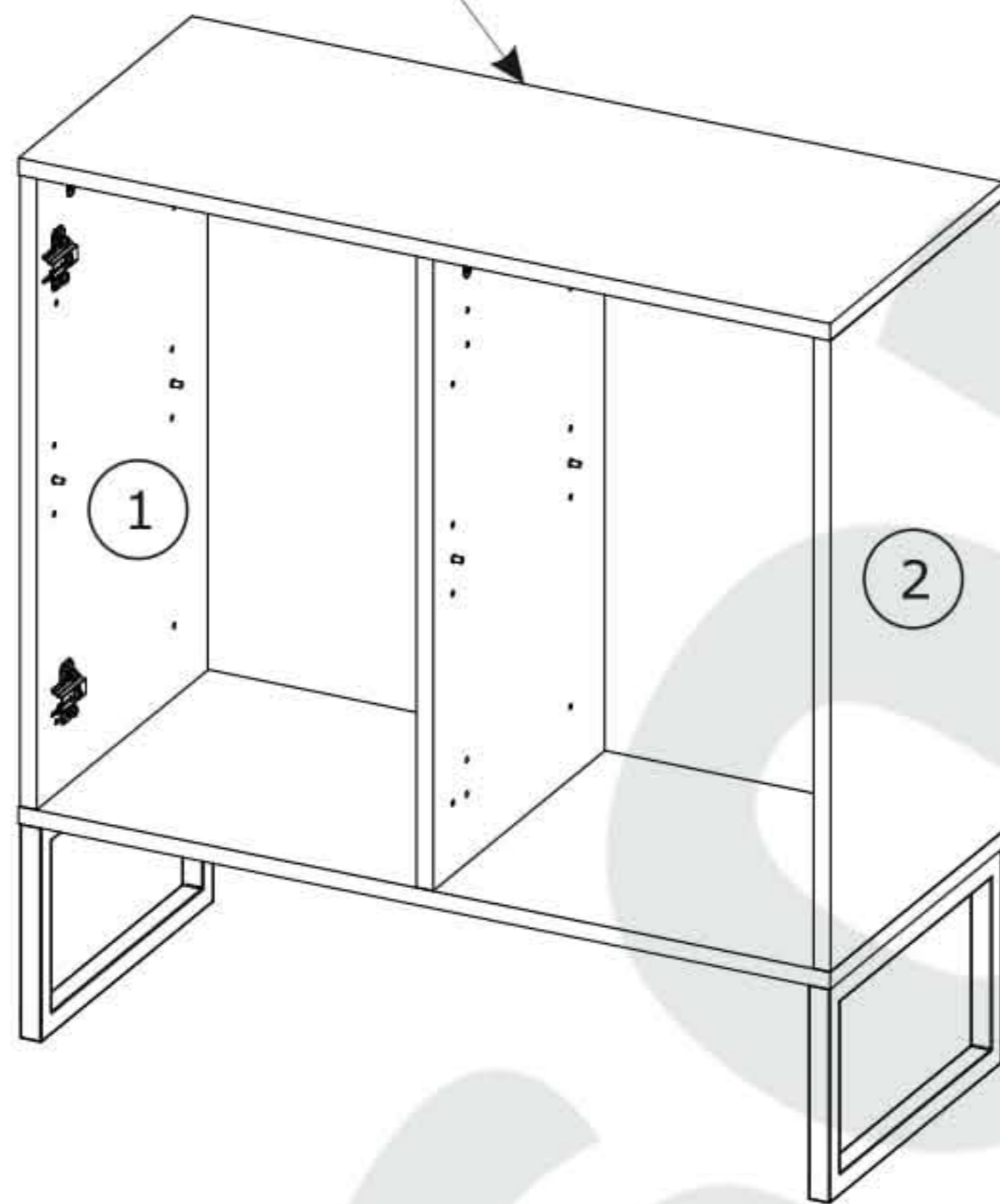
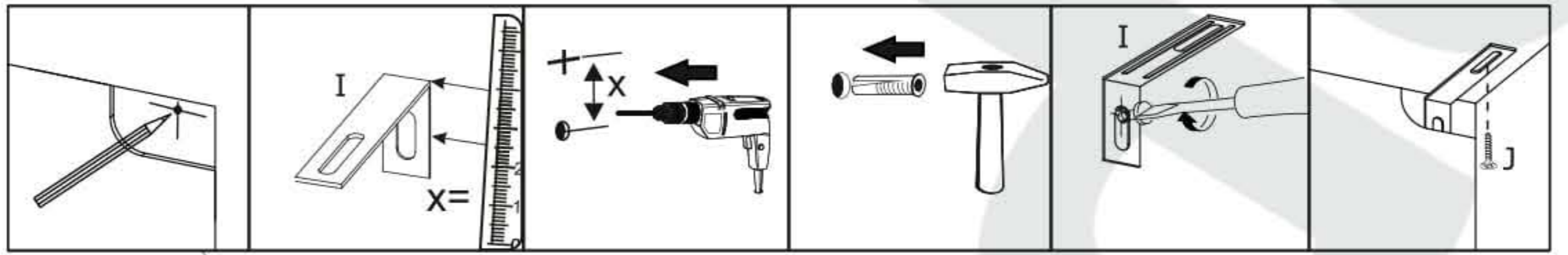


  $XX = YY \cong 90^\circ$

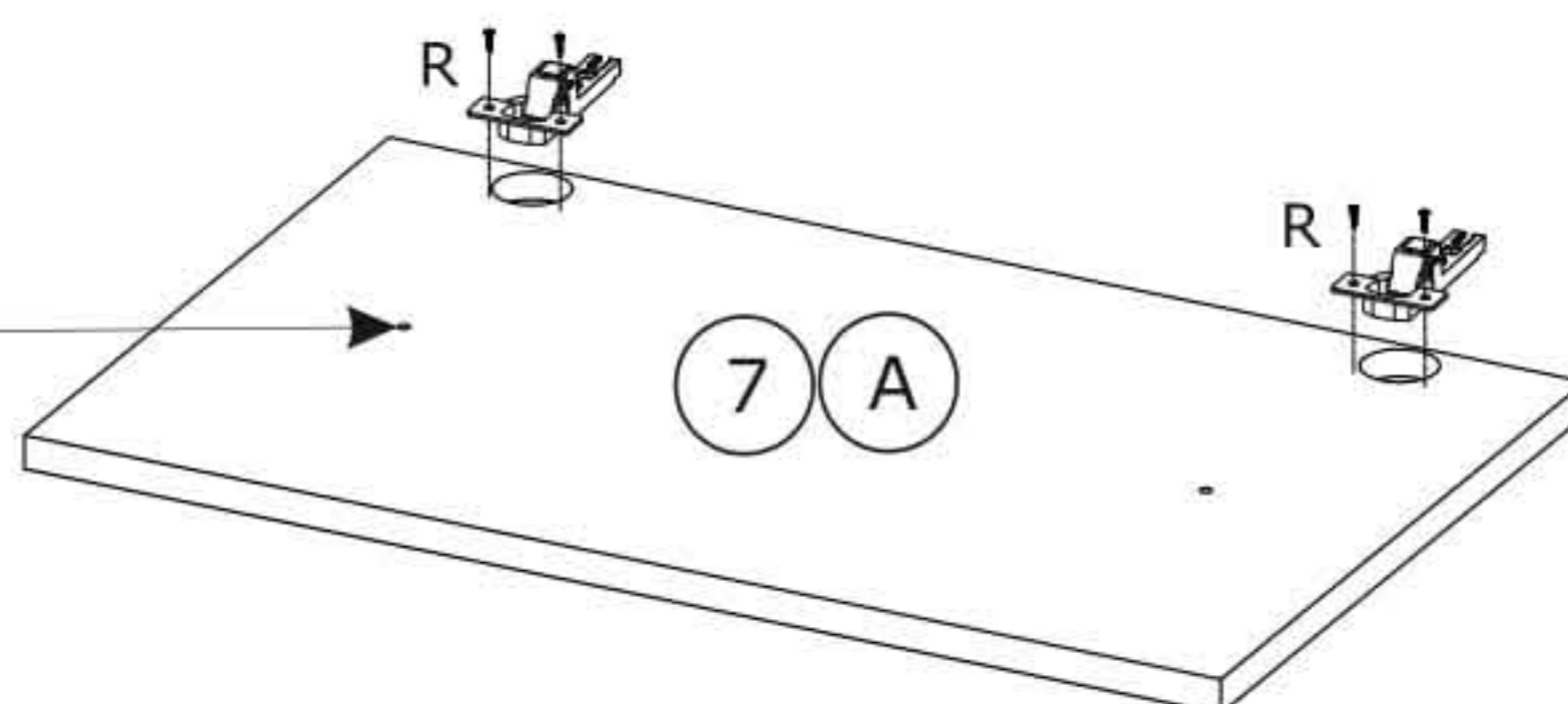
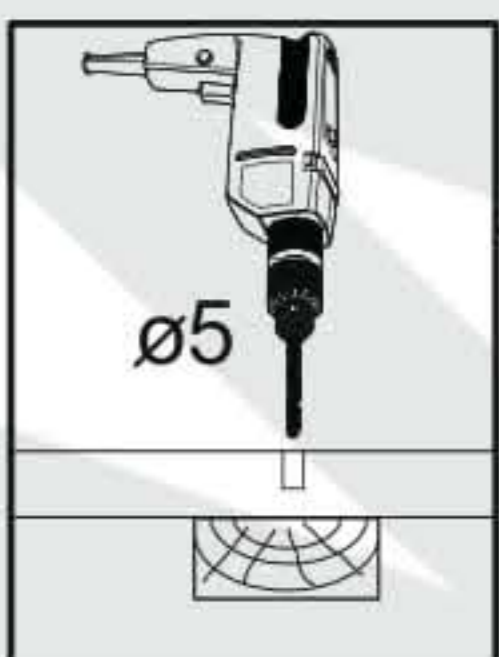
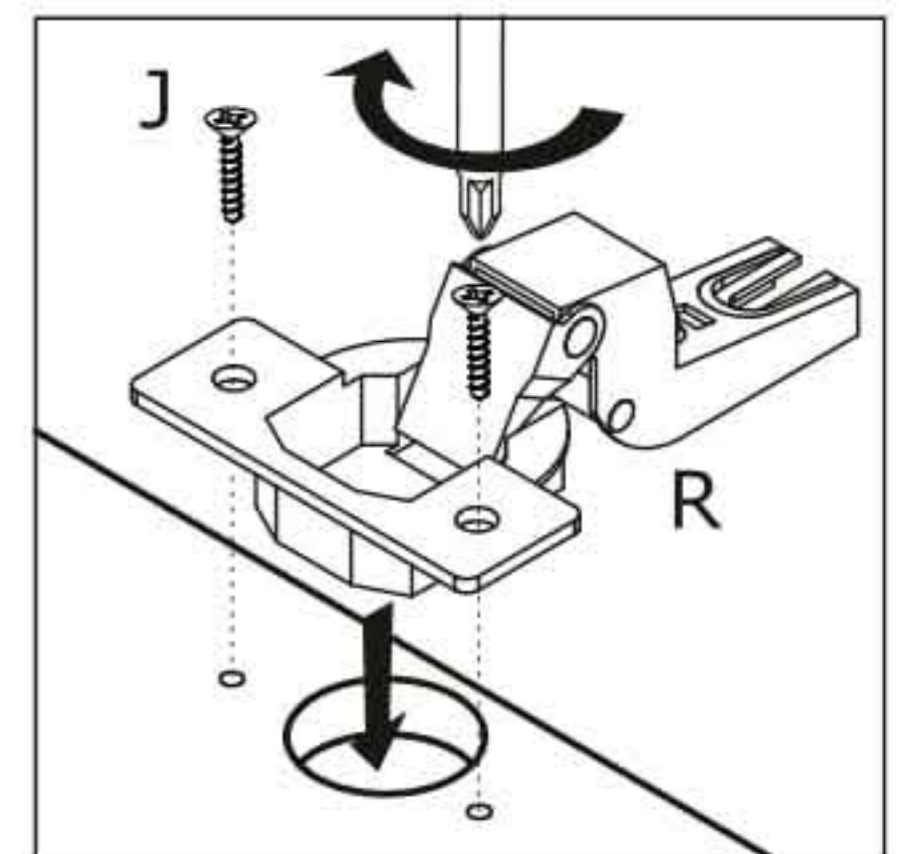
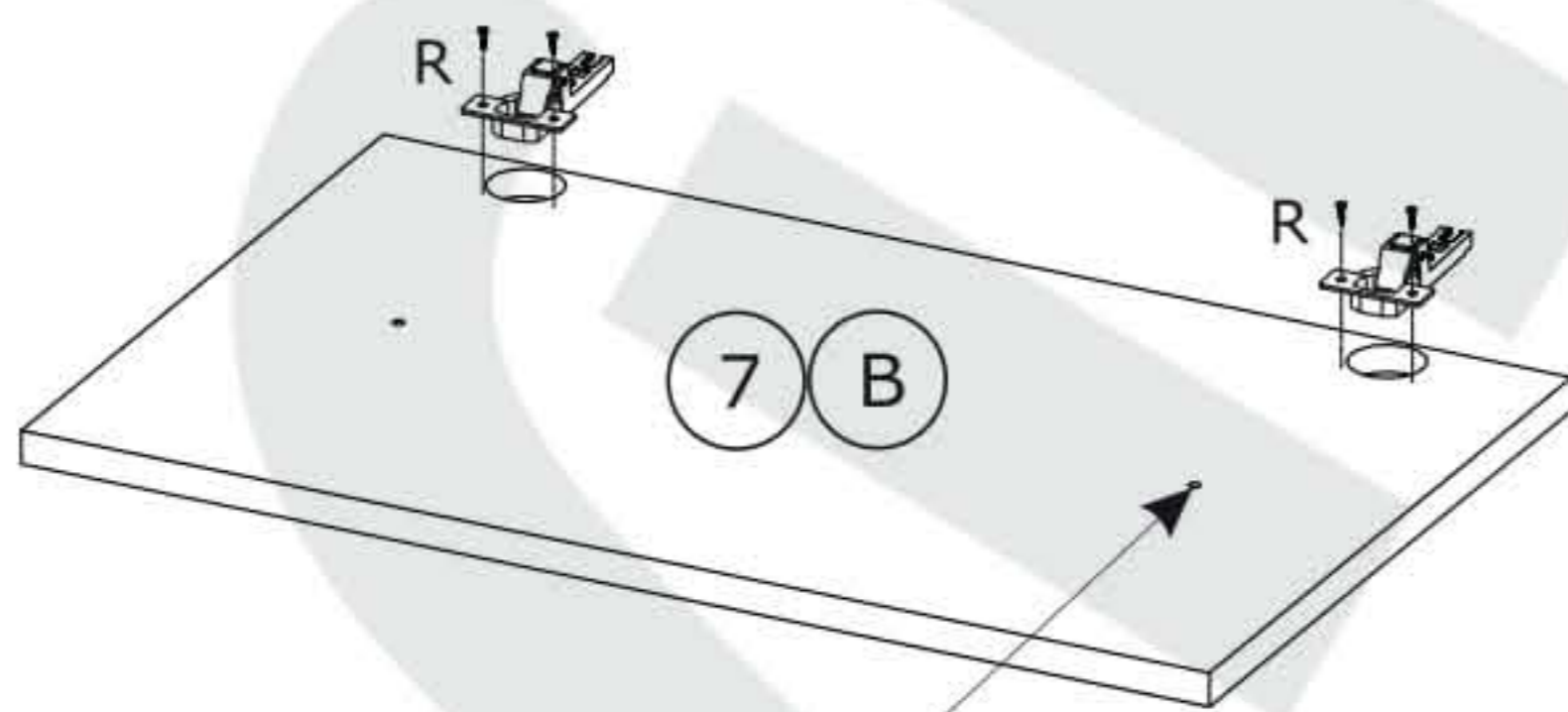




8



9



10

