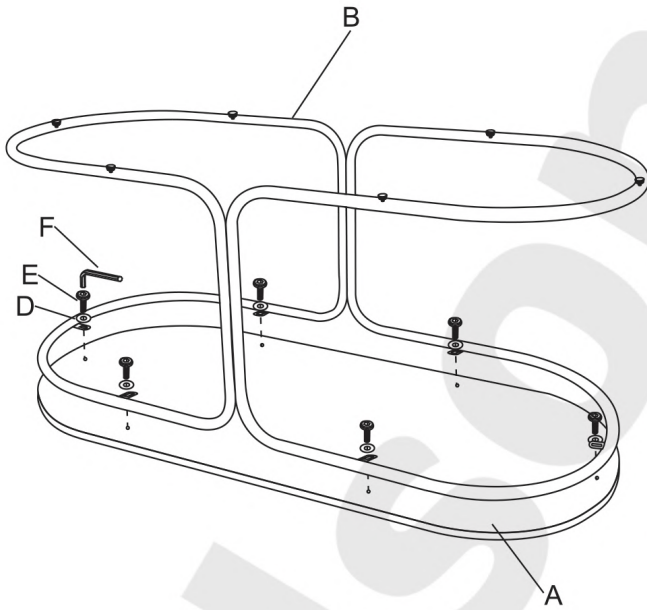
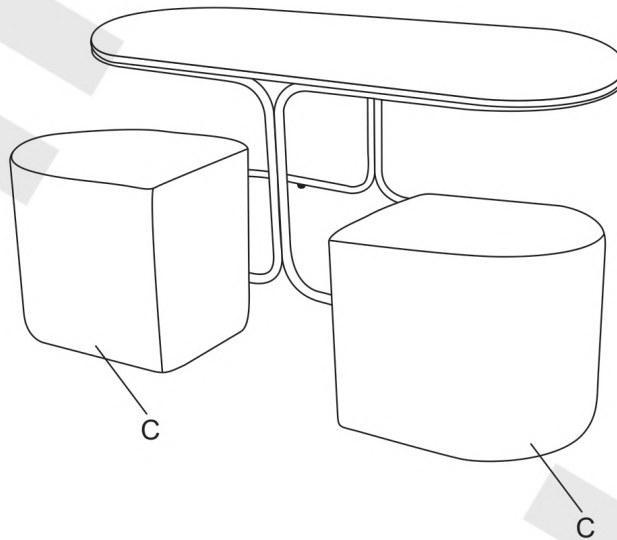


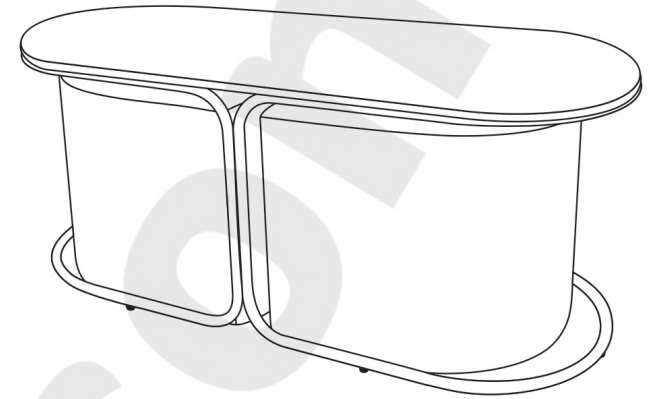
STEP 1



STEP 2



STEP 3



A		1pc	D		6pcs
B		1pc	E		6pcs
C		2pcs	F		1pc