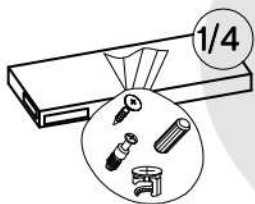
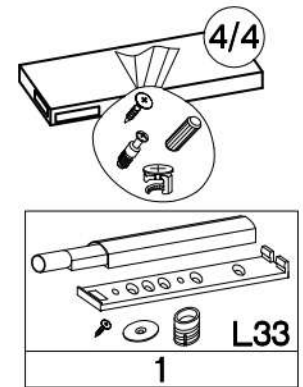
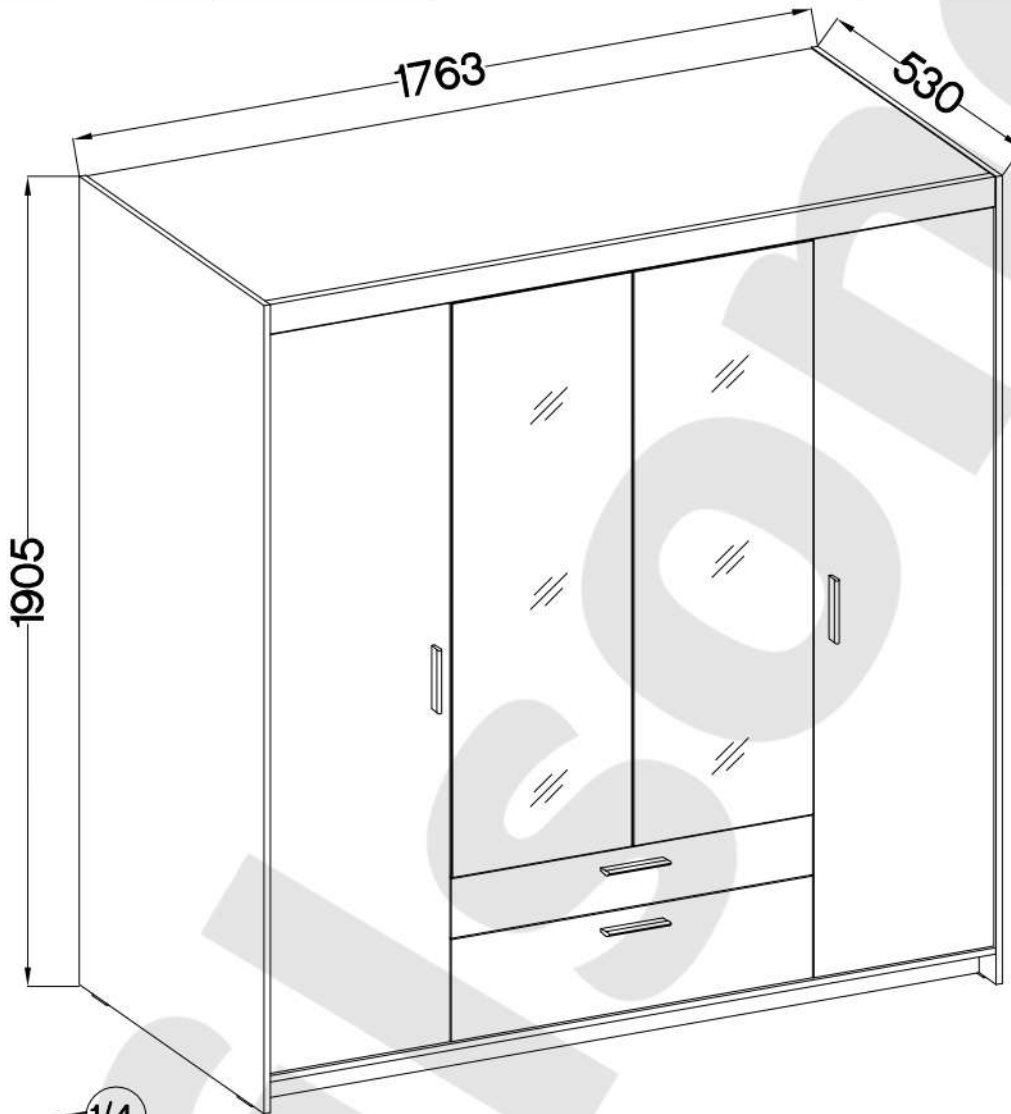
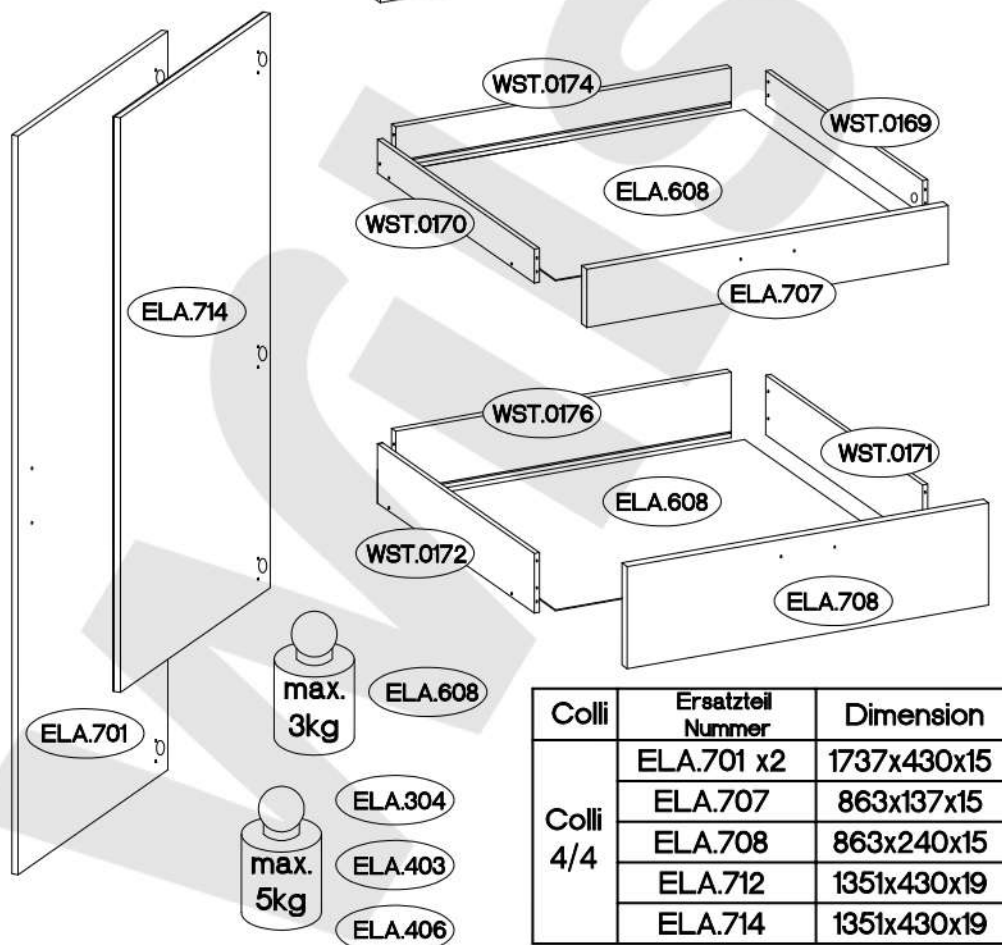
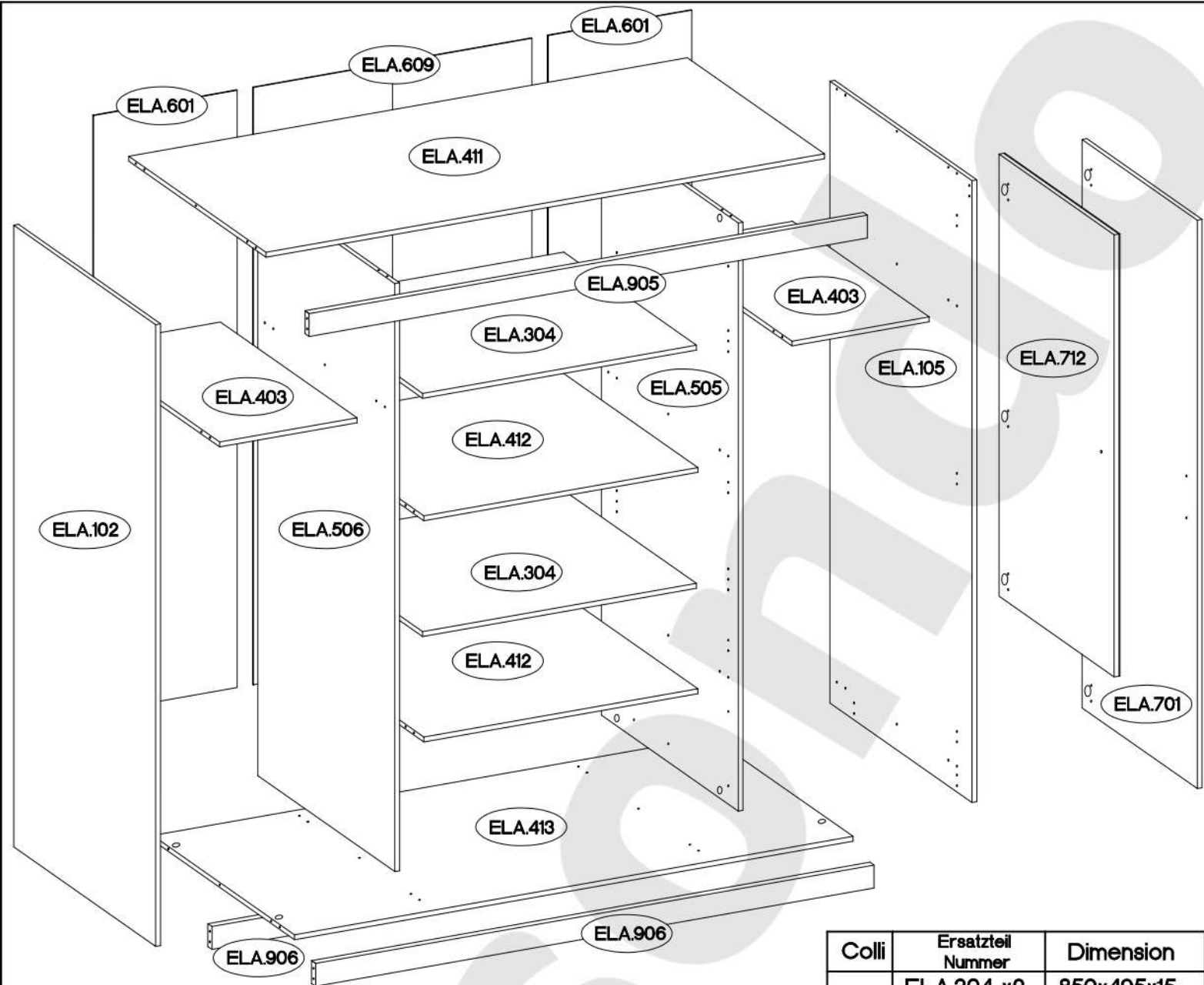


ELENA 4D 2S-L



 F2 4		 F4 4		 HG1 6		 HG2 6		 I15 2		 J2 2		 J3 8		 J17 4		 K34 2		 L2 24			
 L19 2		 M2 12		 M4 12		 O7 2		 P1 12		 P5 44		 P7 95-100		 P12 2		 R2 8		 S 4		 T3 6	

P-ISM-ELA-07






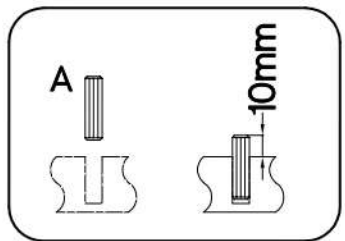
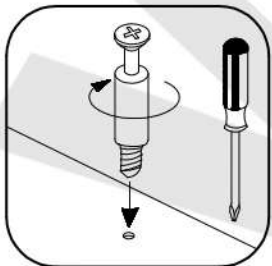
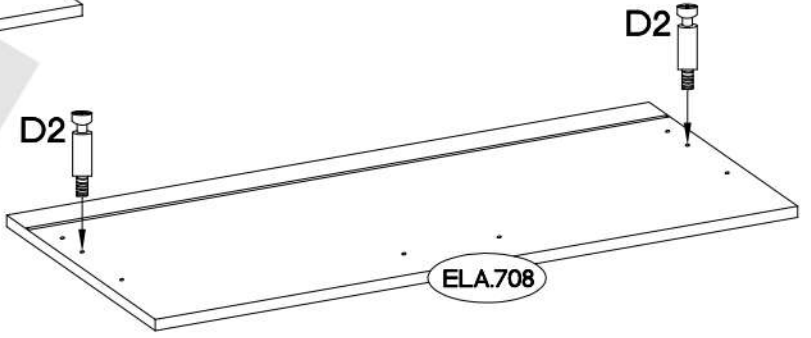
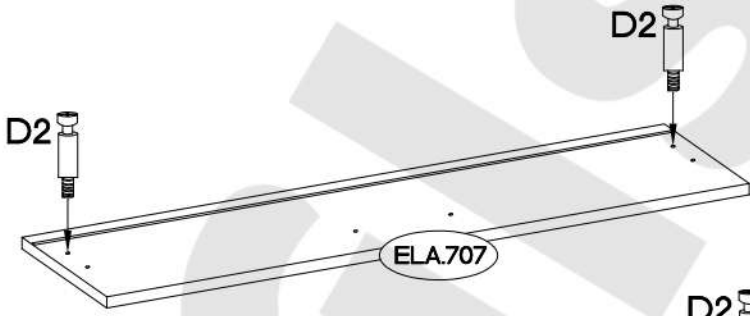
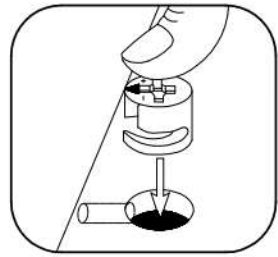
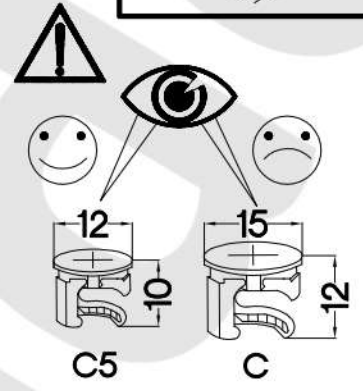
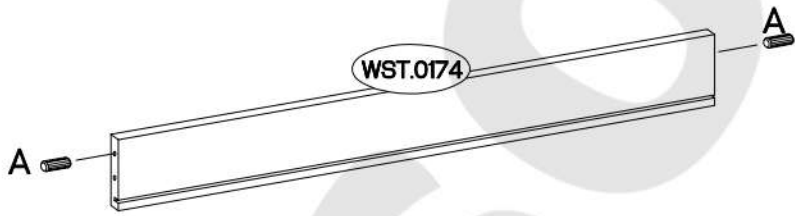
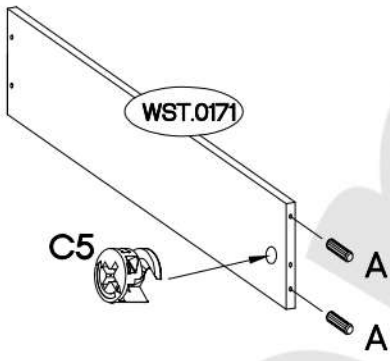
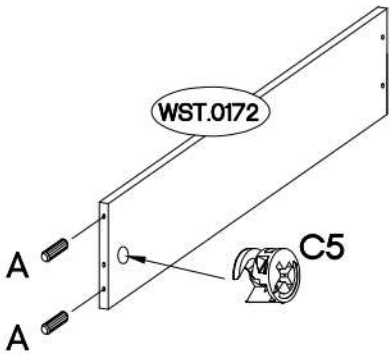
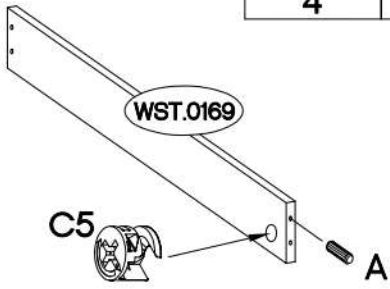
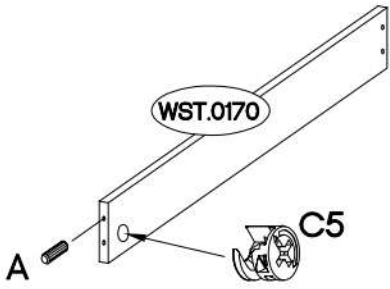
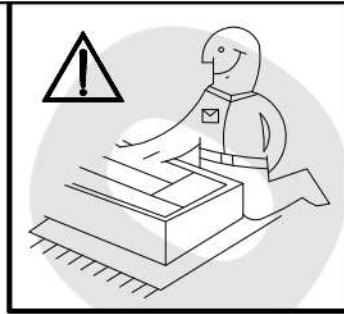
Colli	Ersatzteil Nummer	Dimension
Colli 1/4	ELA.304 x2	850x495x15
	ELA.403 x2	426x510x15
	ELA.411	1733x512x15
	ELA.412 x2	851x510x15
	ELA.413	1733x529x15

Colli	Ersatzteil Nummer	Dimension
Colli 2/4	ELA.506	1797x511x15
	ELA.601 x2	1825x446x2.5
	ELA.608 x2	824x448x2.5
	ELA.609	1825x865x2.5
	ELA.905	1733x70x15
	ELA.906 x2	1733x70x15
	WST.0169	450x70x12
	WST.0170	450x70x12
	WST.0171	450x140x12
	WST.0172	450x140x12
Colli 3/4	WST.0174	801x84x12
	WST.0176	801x154x12

Colli	Ersatzteil Nummer	Dimension
Colli 4/4	ELA.701 x2	1737x430x15
	ELA.707	863x137x15
	ELA.708	863x240x15
	ELA.714	1351x430x19

Colli	Ersatzteil Nummer	Dimension
Colli 3/4	ELA.102	1900x530x15
	ELA.105	1900x530x15
	ELA.505	1797x511x15

L=20mm  D2 4	±12/10mm  C5 4	±8x30mm  A 8
---	--	---



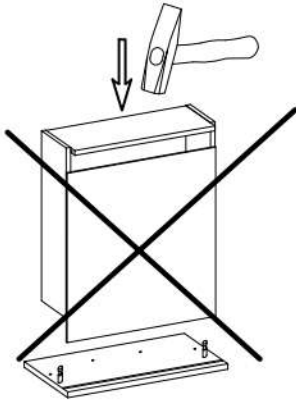
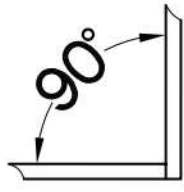
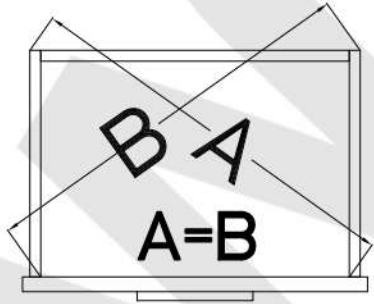
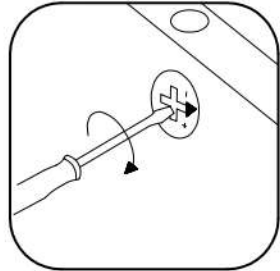
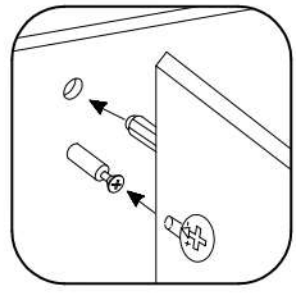
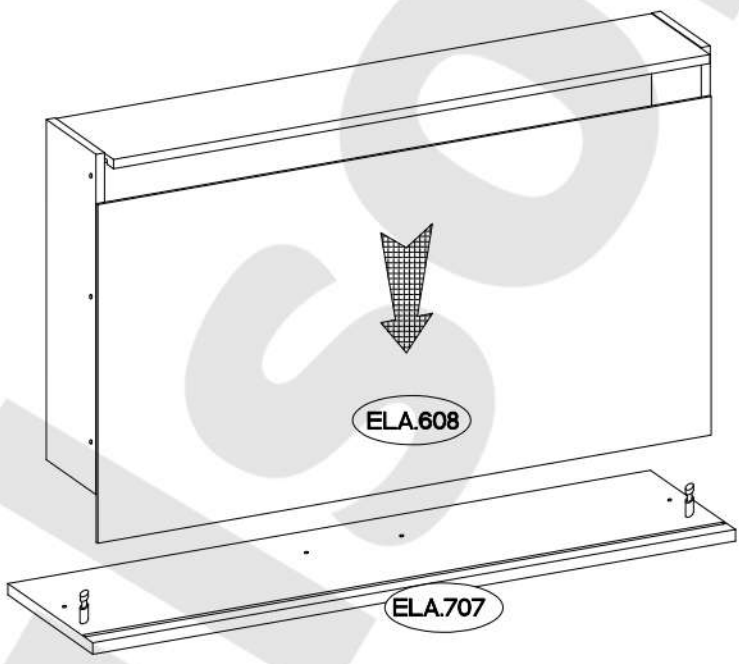
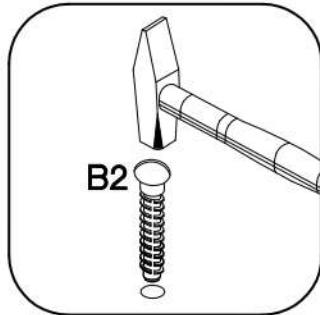
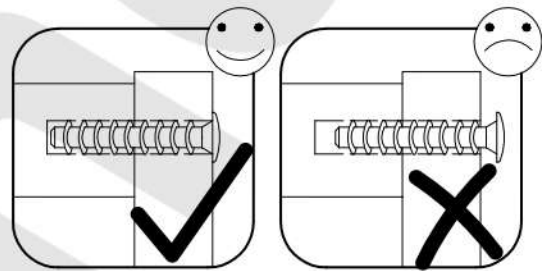
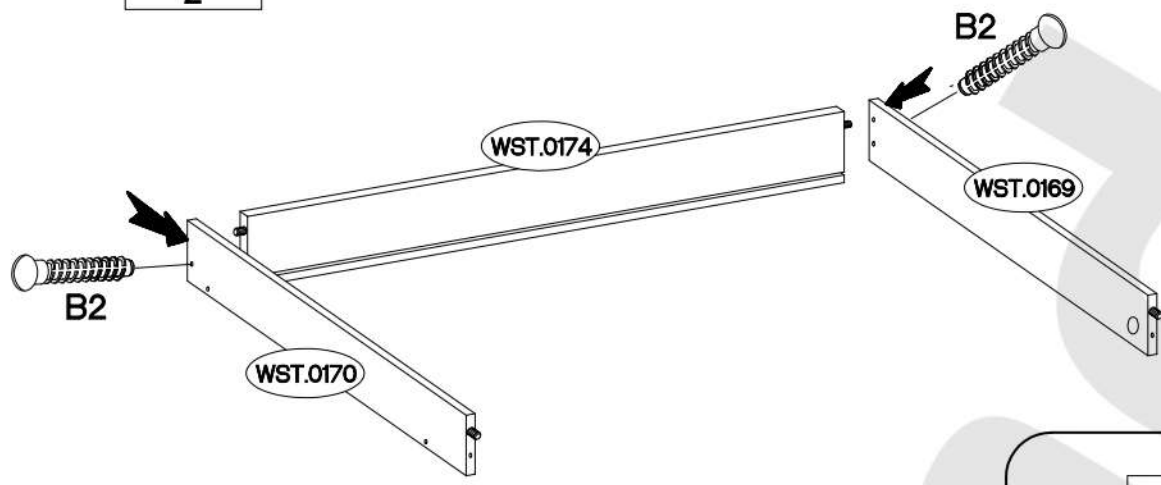
2

†6x42mm

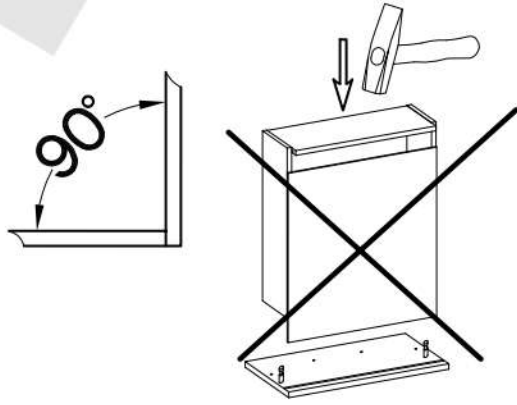
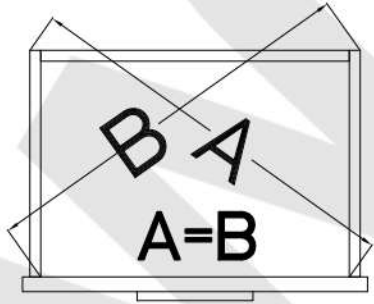
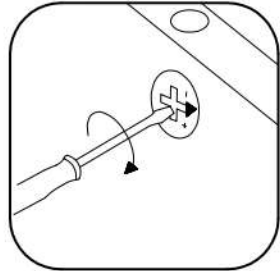
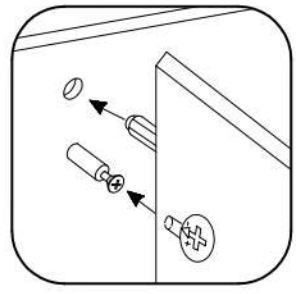
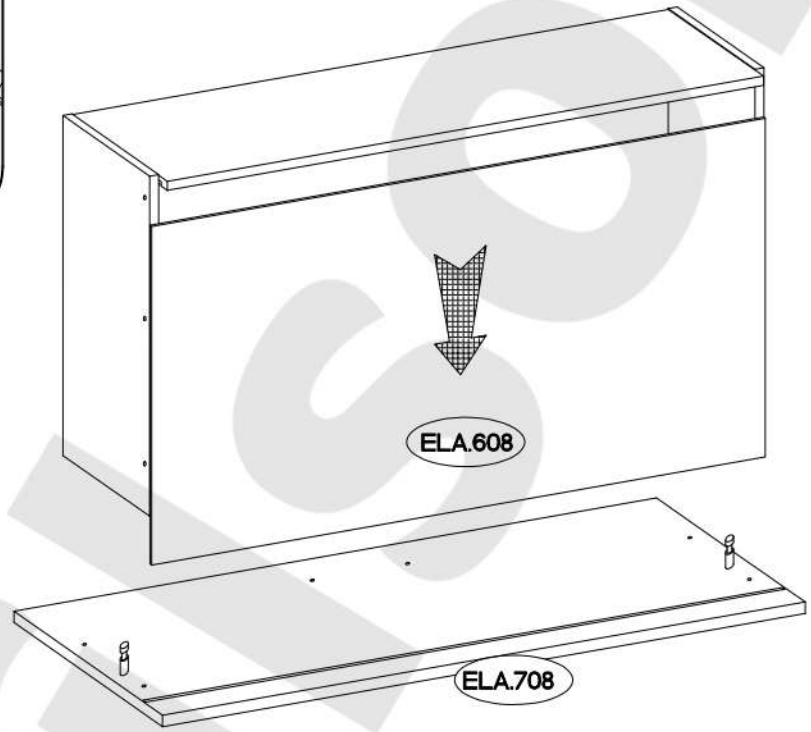
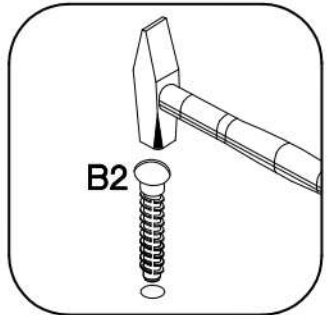
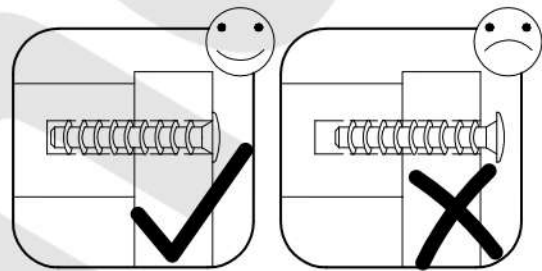
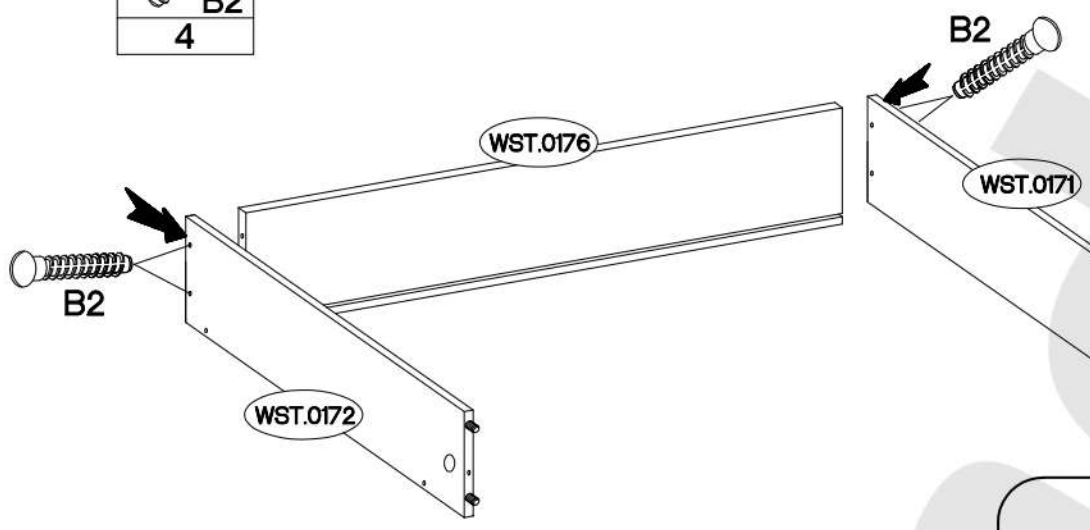
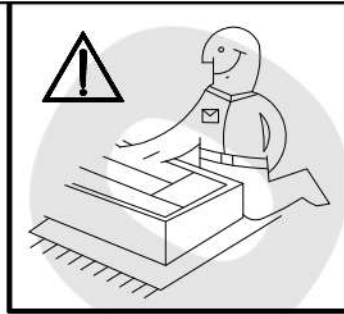


B2




2

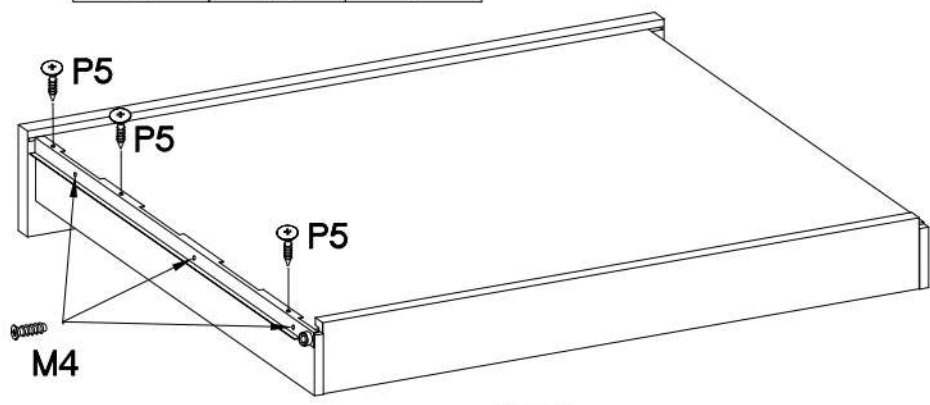
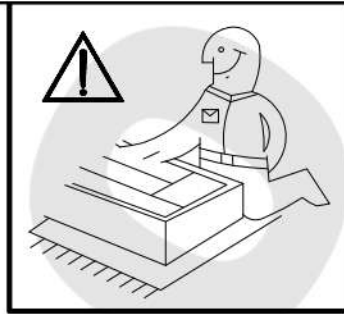
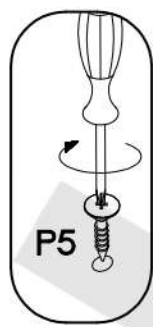


3

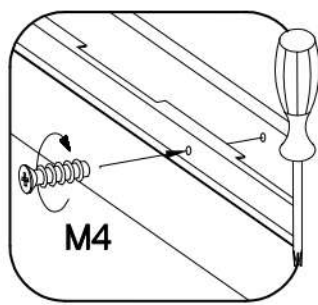
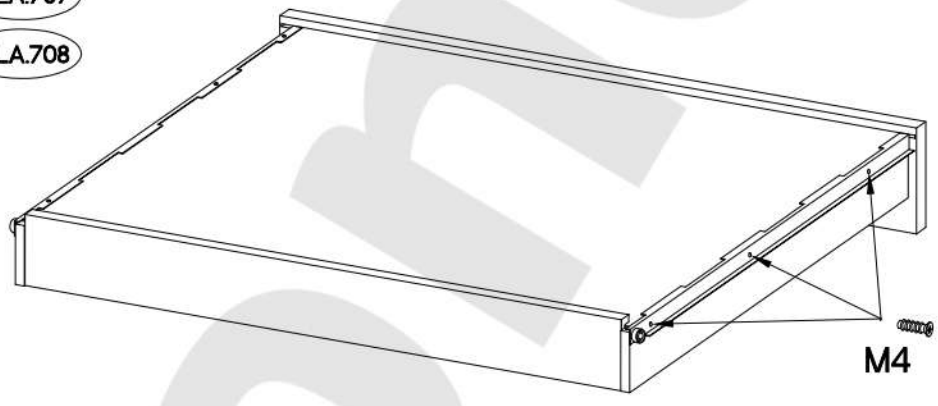


4

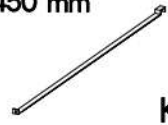

L=450mm  2	+6,3x9,5mm  12 M4	+3.5x13mm  6 P5
--	--	--

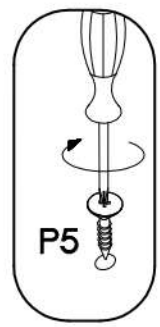
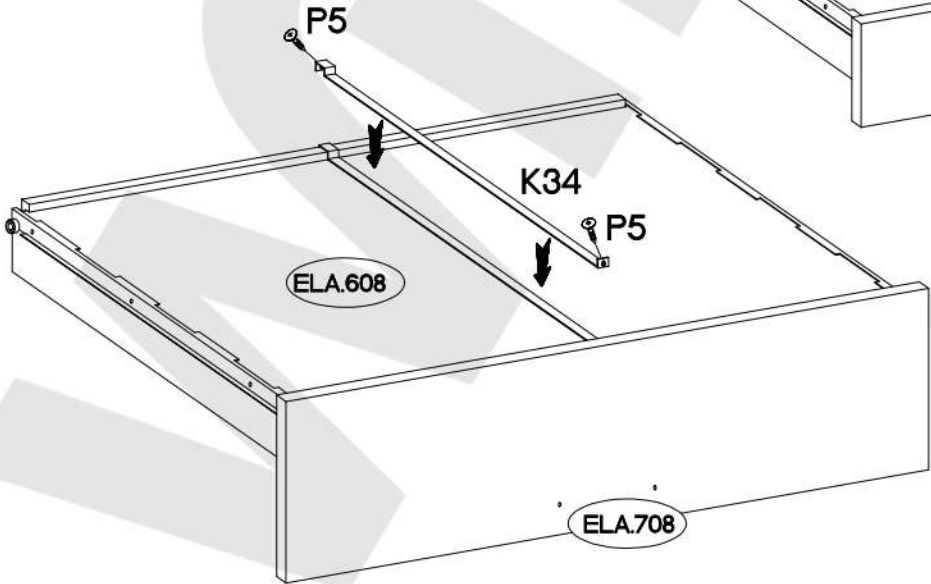
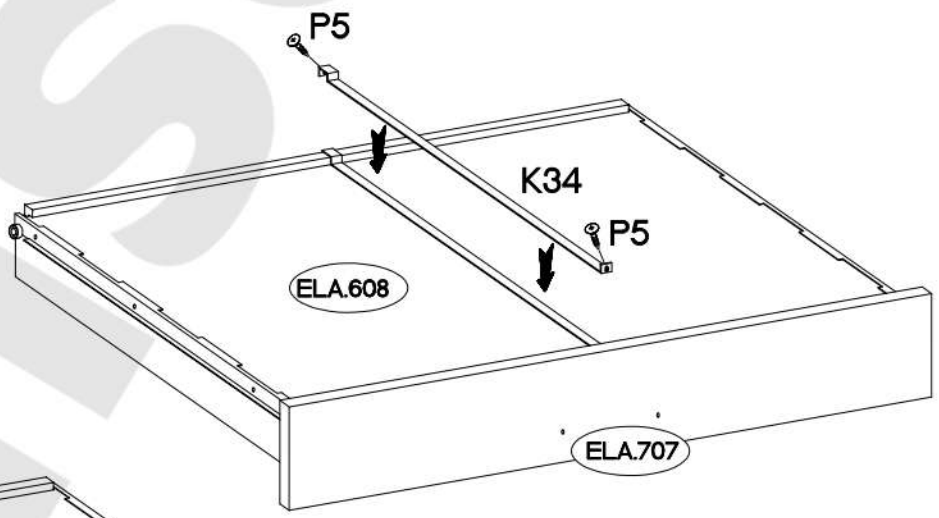


ELA.707
ELA.708

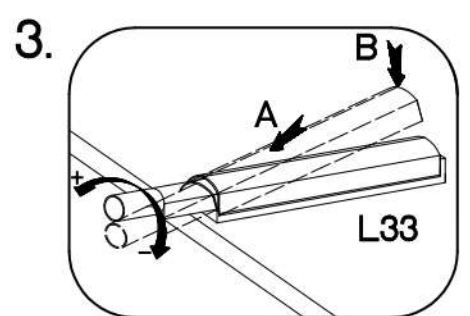
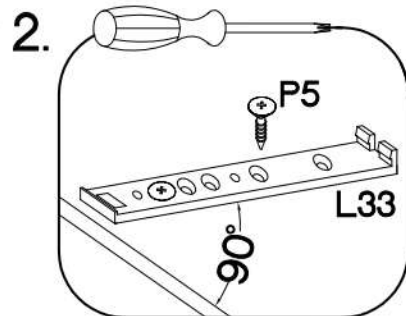
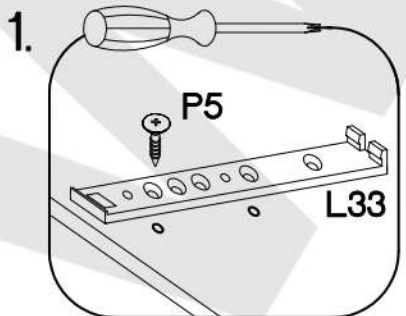
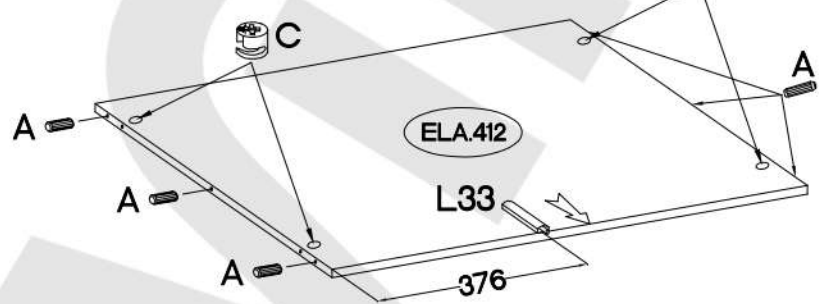
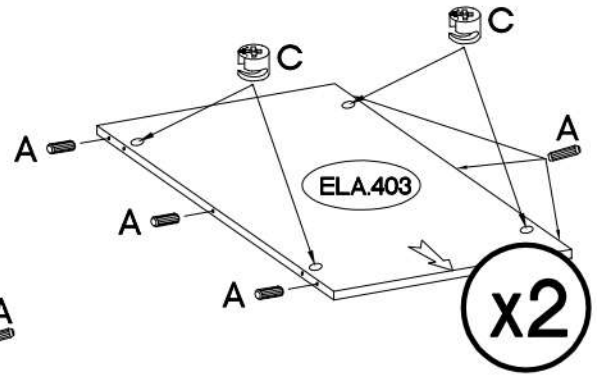
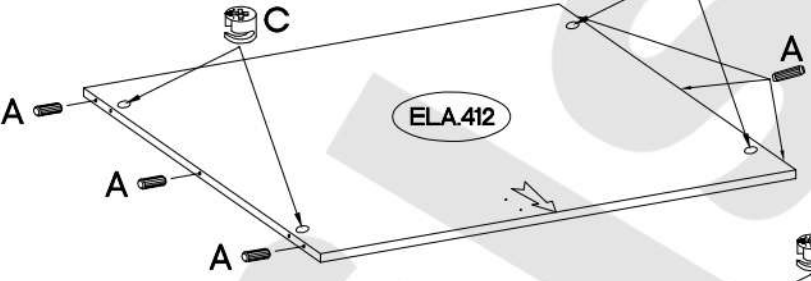
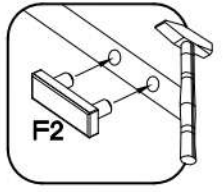
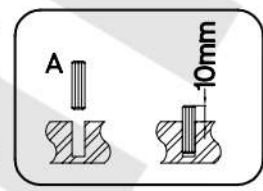
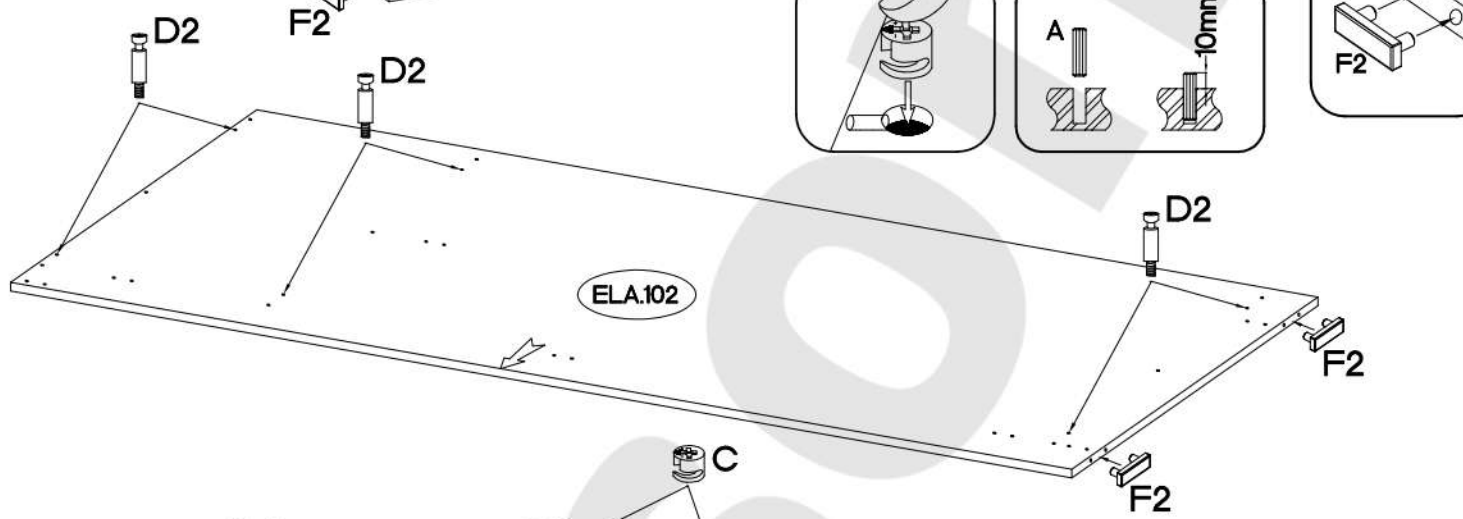
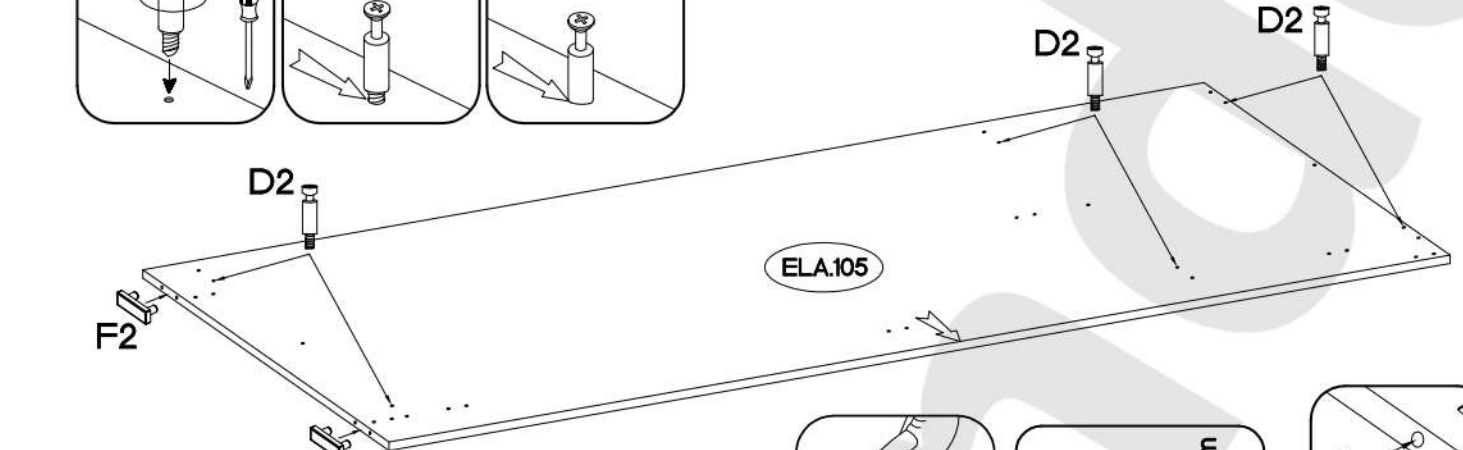
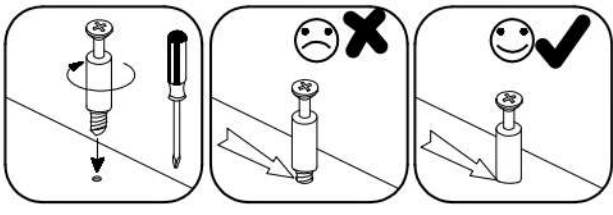
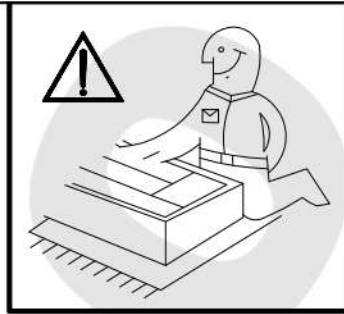


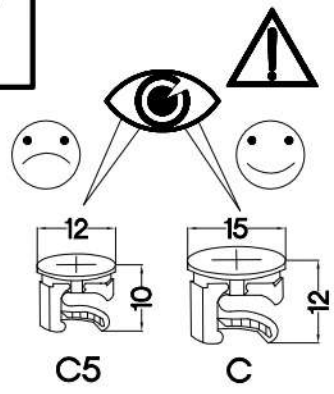
5

L=450 mm  2 K34	+3.5x13mm  4 P5
---	---

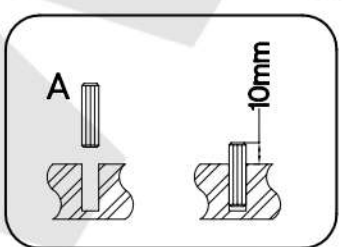
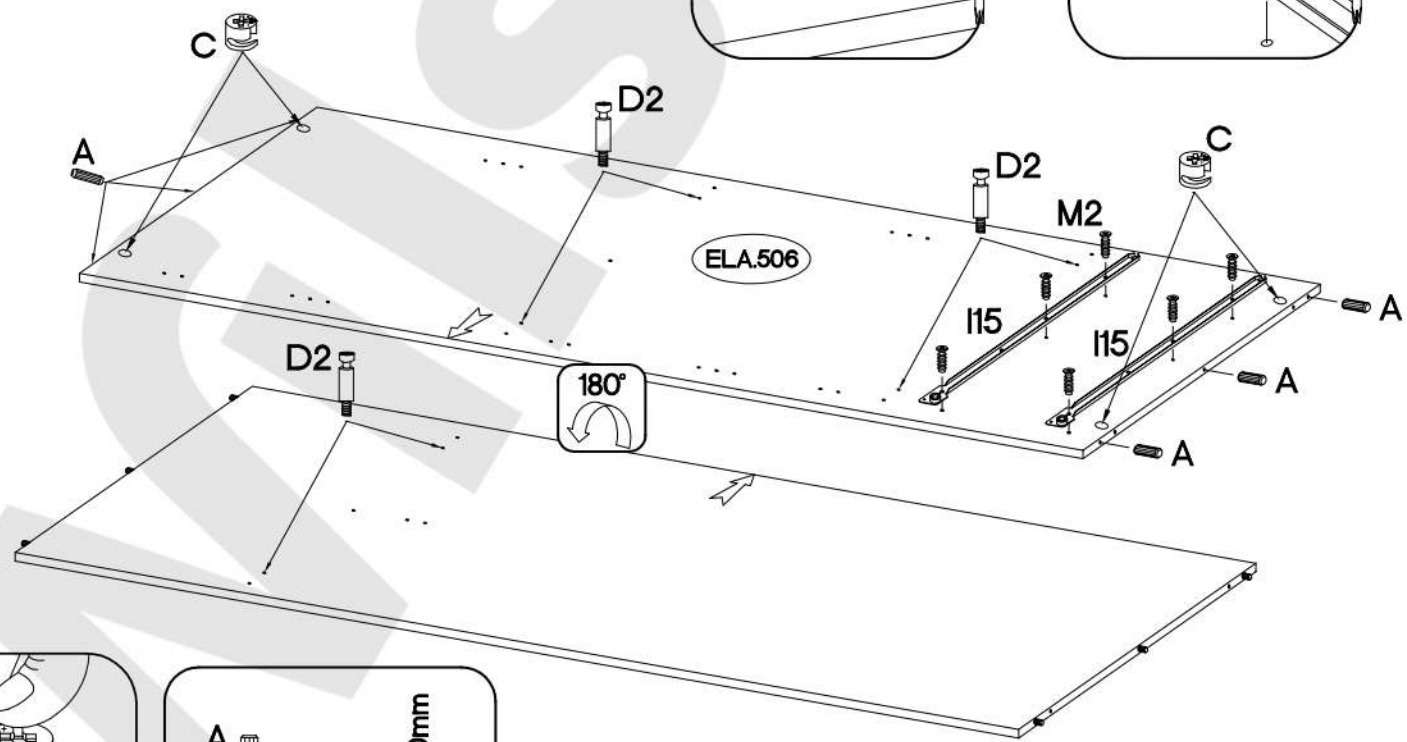
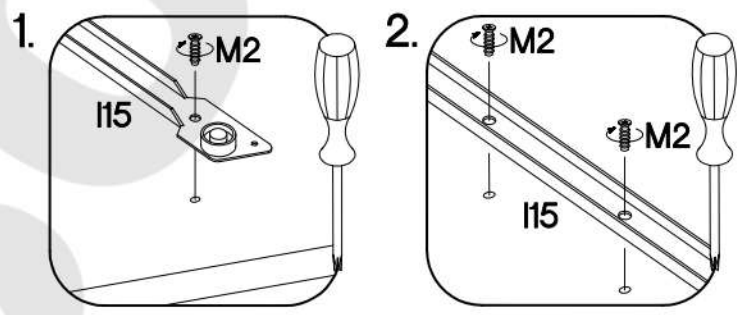
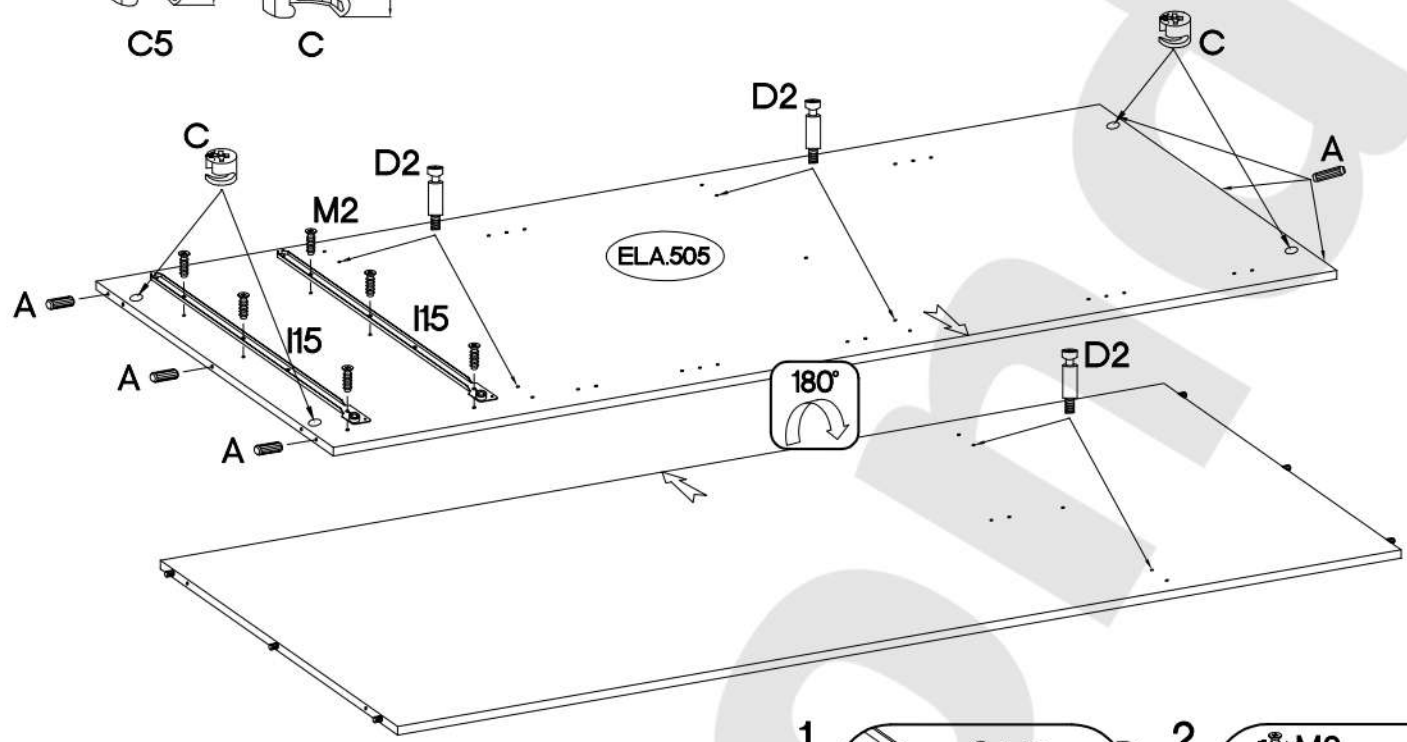








L=20mm D2 12	6.5x48x16 F2 4	±8x30mm A 24	±15/12mm C 16	 L33 1	±3.5x13mm P5 2
------------------------	--------------------------	------------------------	-------------------------	--------------	--------------------------

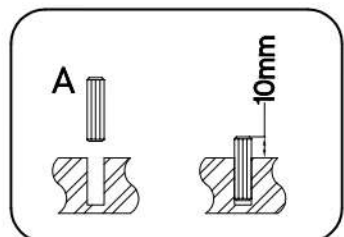
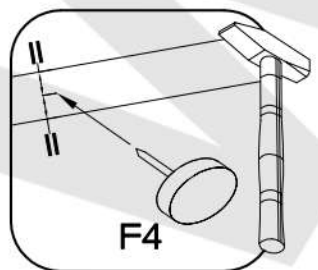
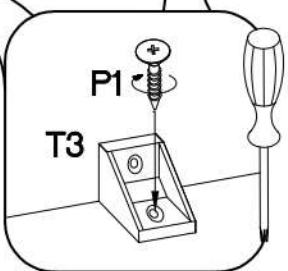
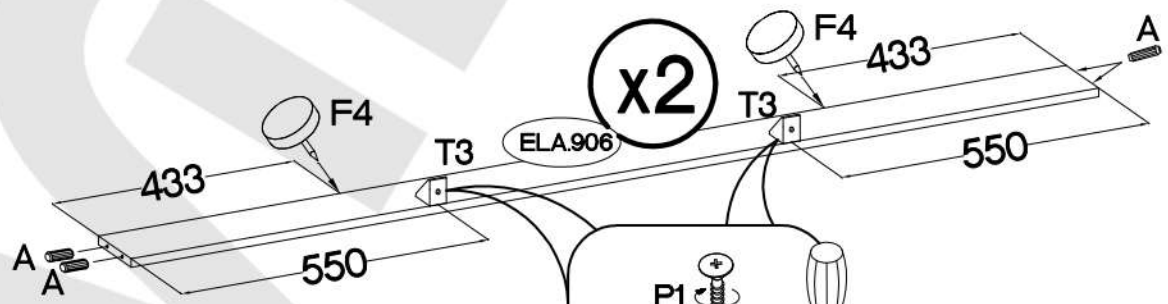
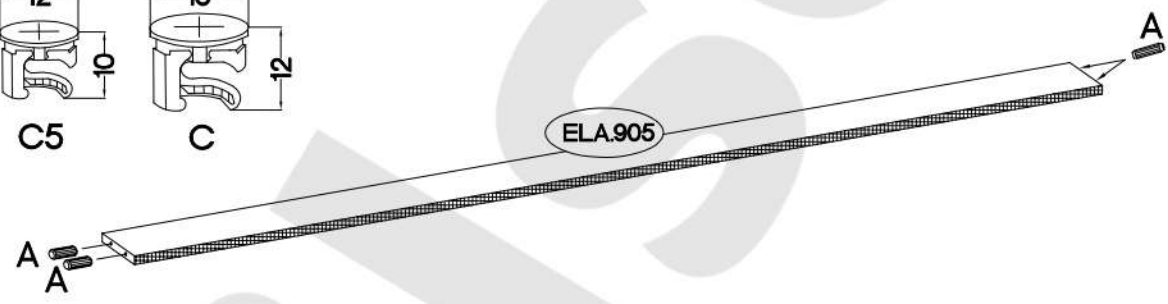
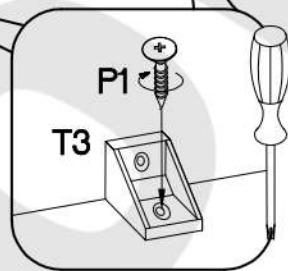
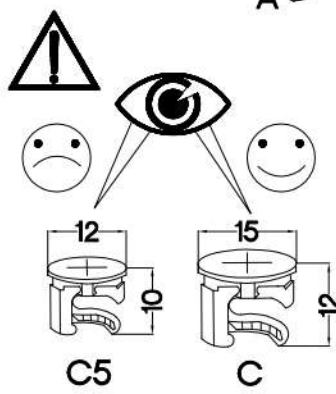
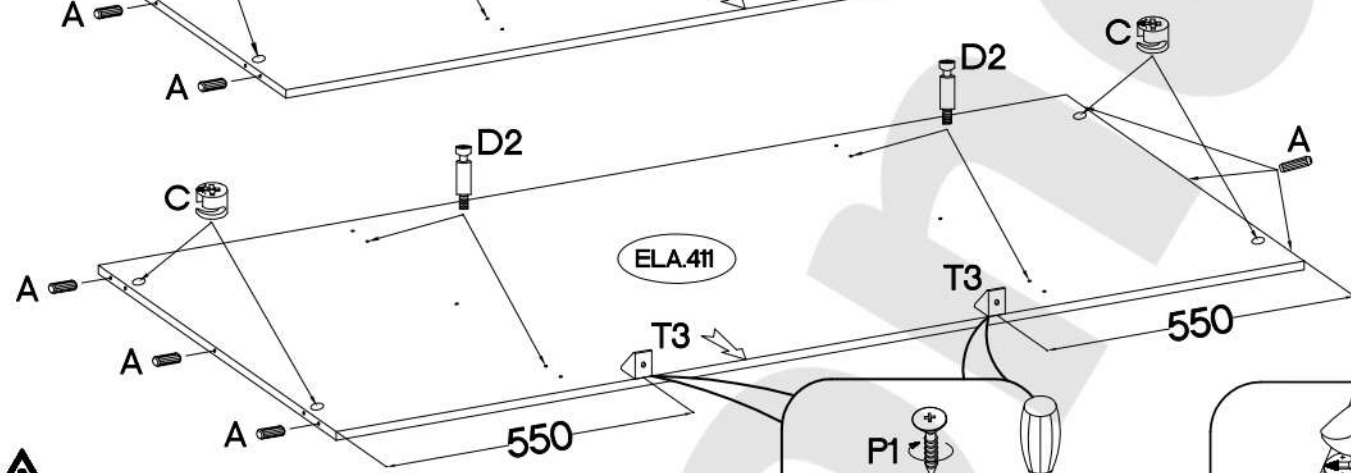
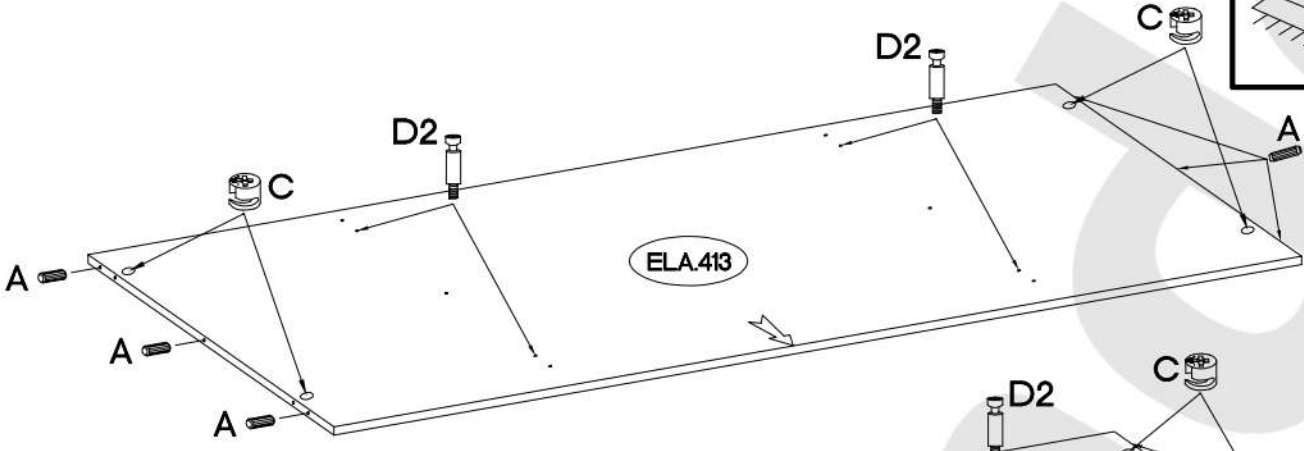
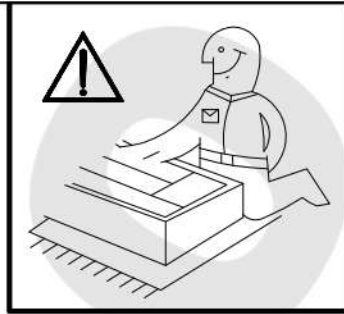




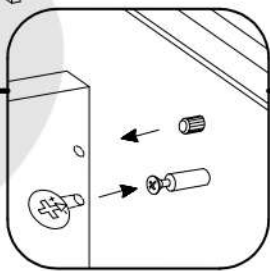
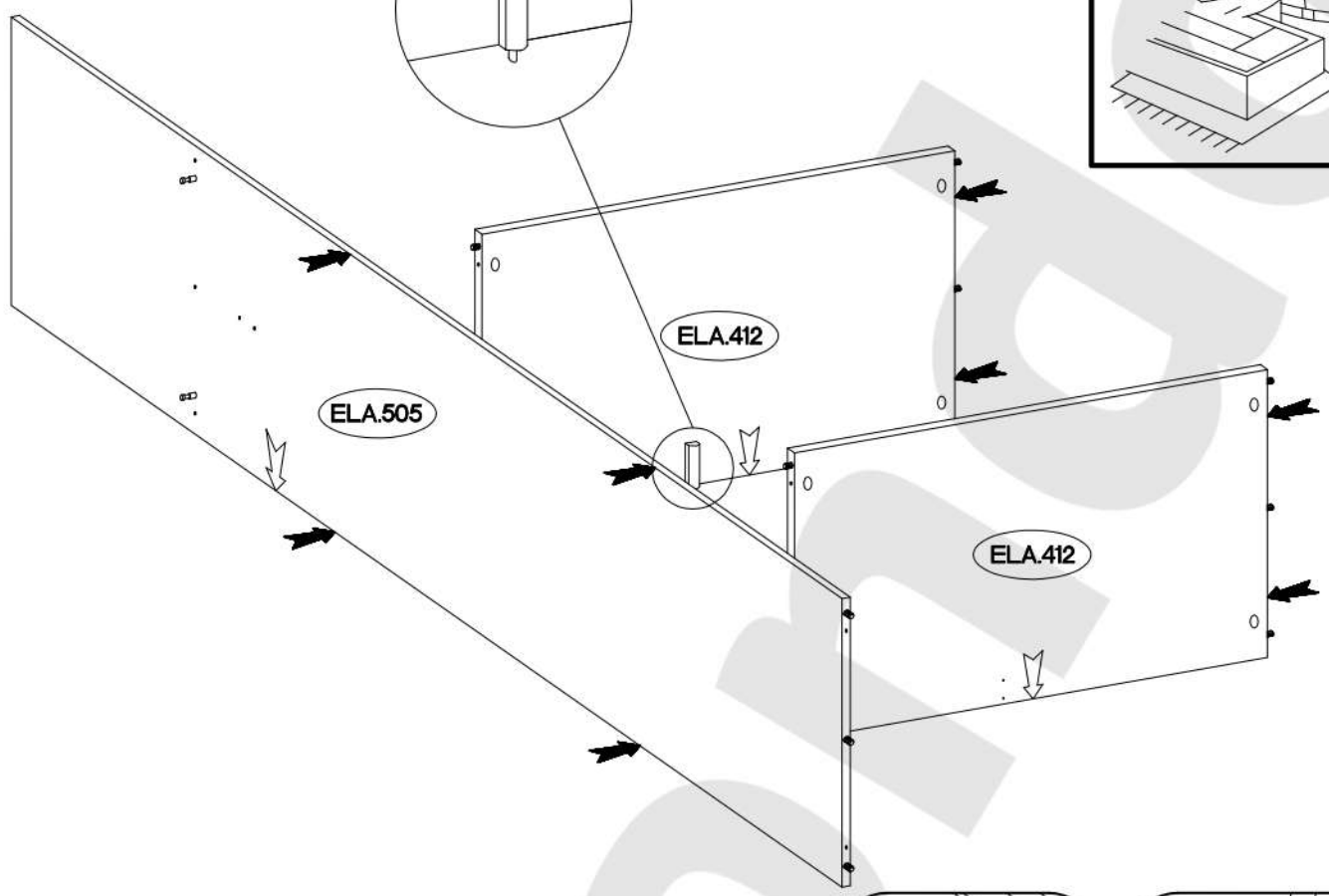
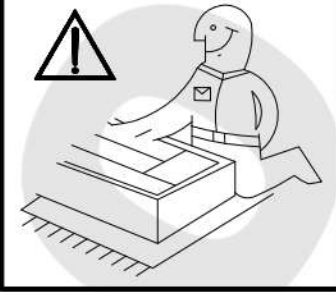
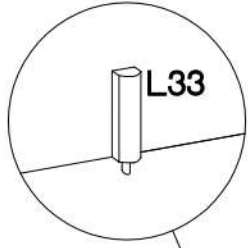
L=450mm I15 2	+6,3x13mm M2 12	+8x30mm A 12	+15/12mm C 8	L=20mm D2 12
-------------------------	---------------------------	------------------------	------------------------	------------------------



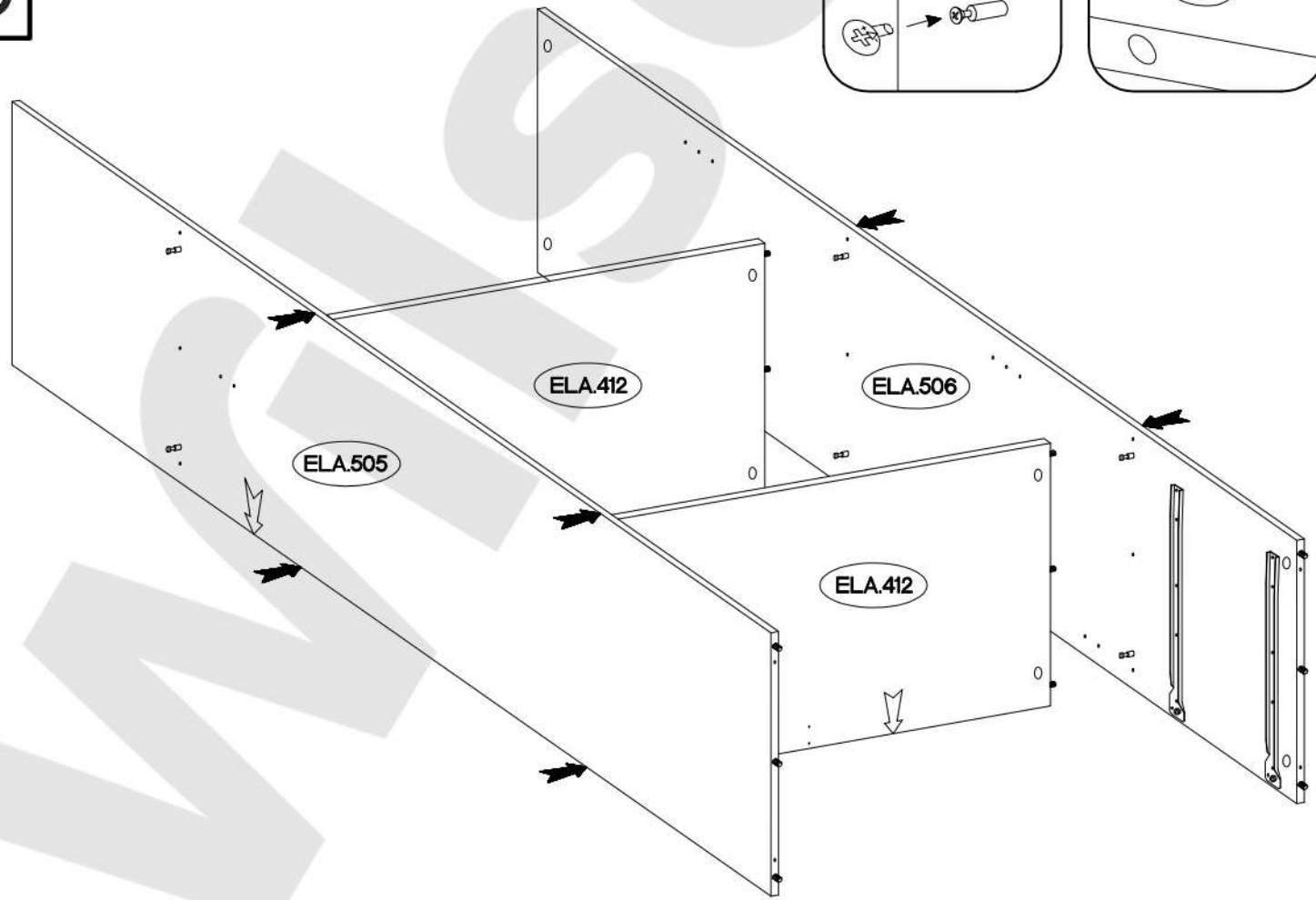
$\varnothing 8 \times 30 \text{mm}$  A 24	L=20mm  D2 8	$\varnothing 15/12 \text{mm}$  C 8	 T3 6	$\varnothing 4.0 \times 16 \text{mm}$  P1 6	$\varnothing 15 \times 5 \text{mm}$  F4 4
--	---	---	---	--	--



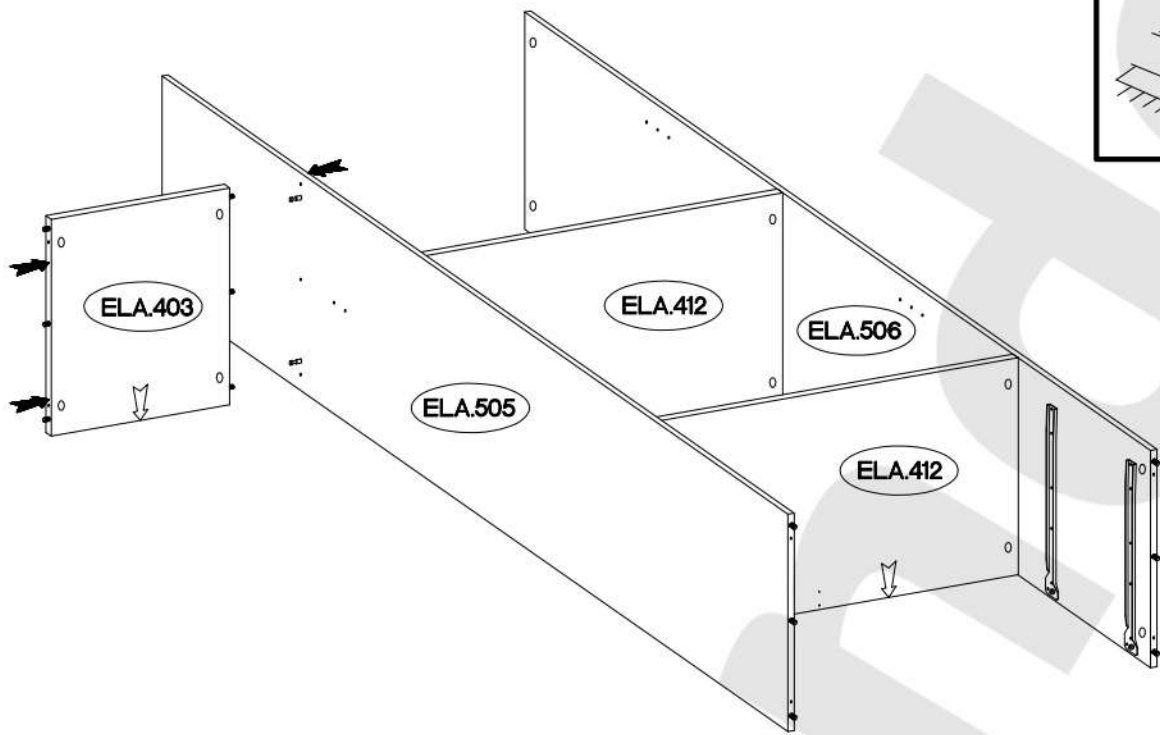
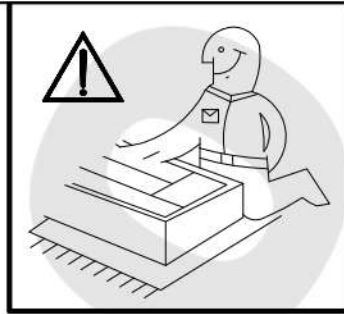
9



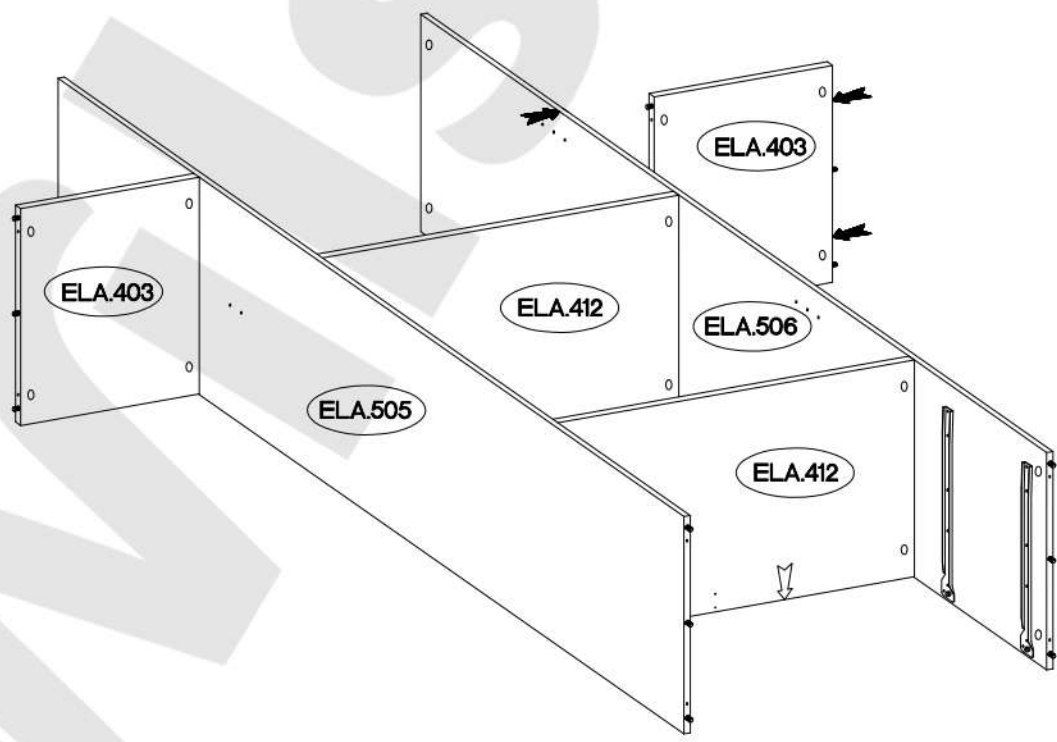
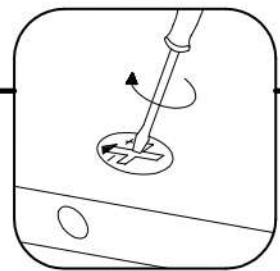
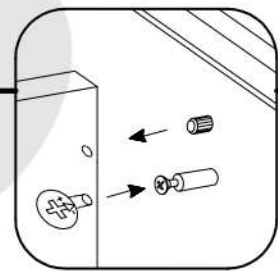
10



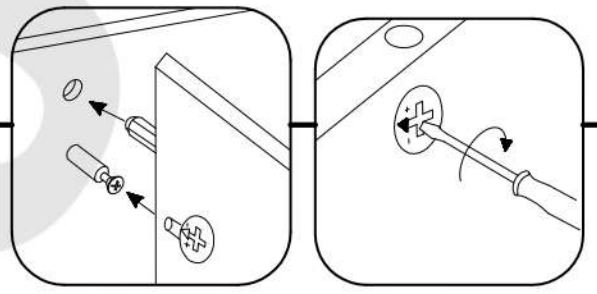
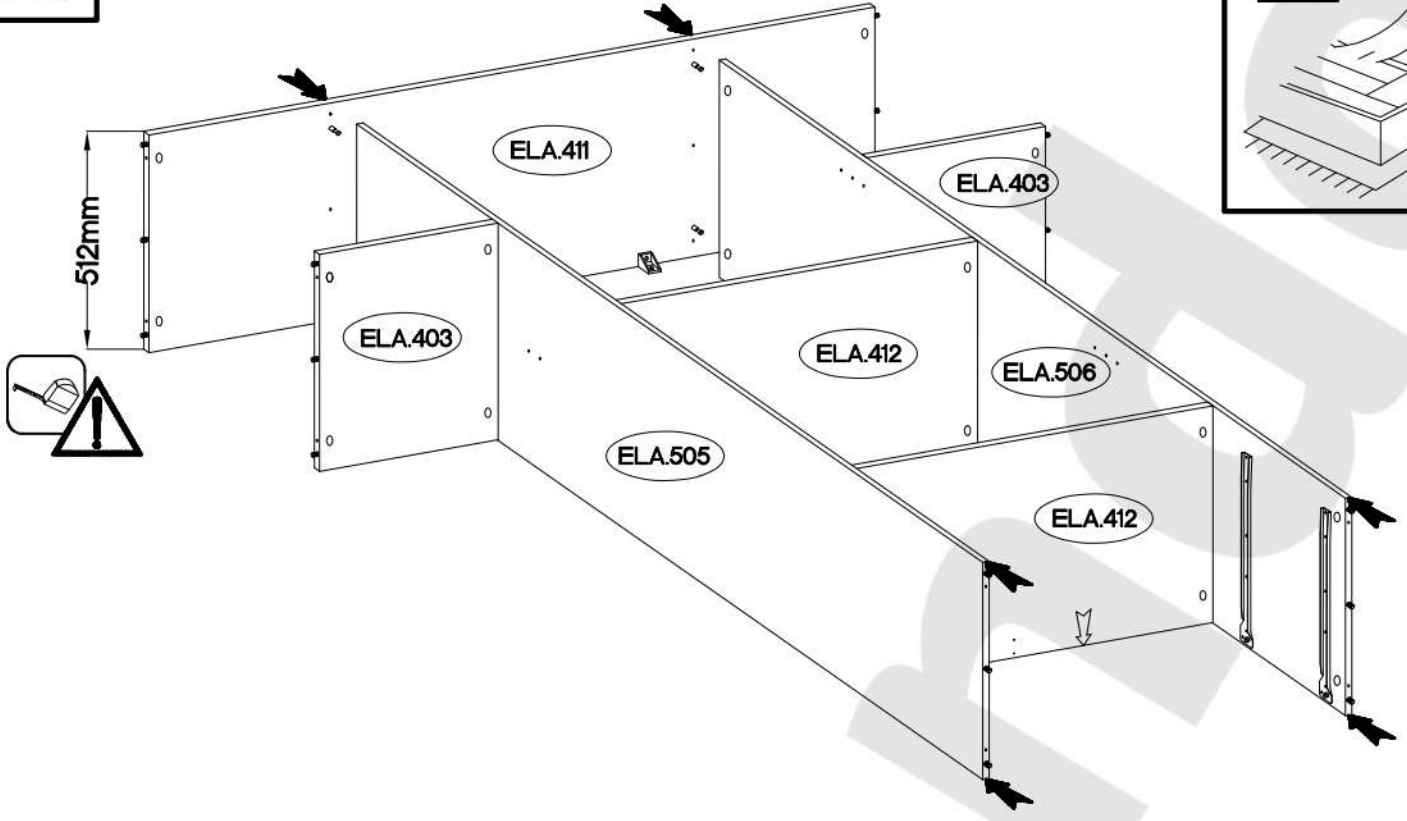
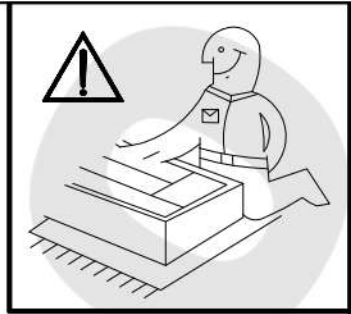
11



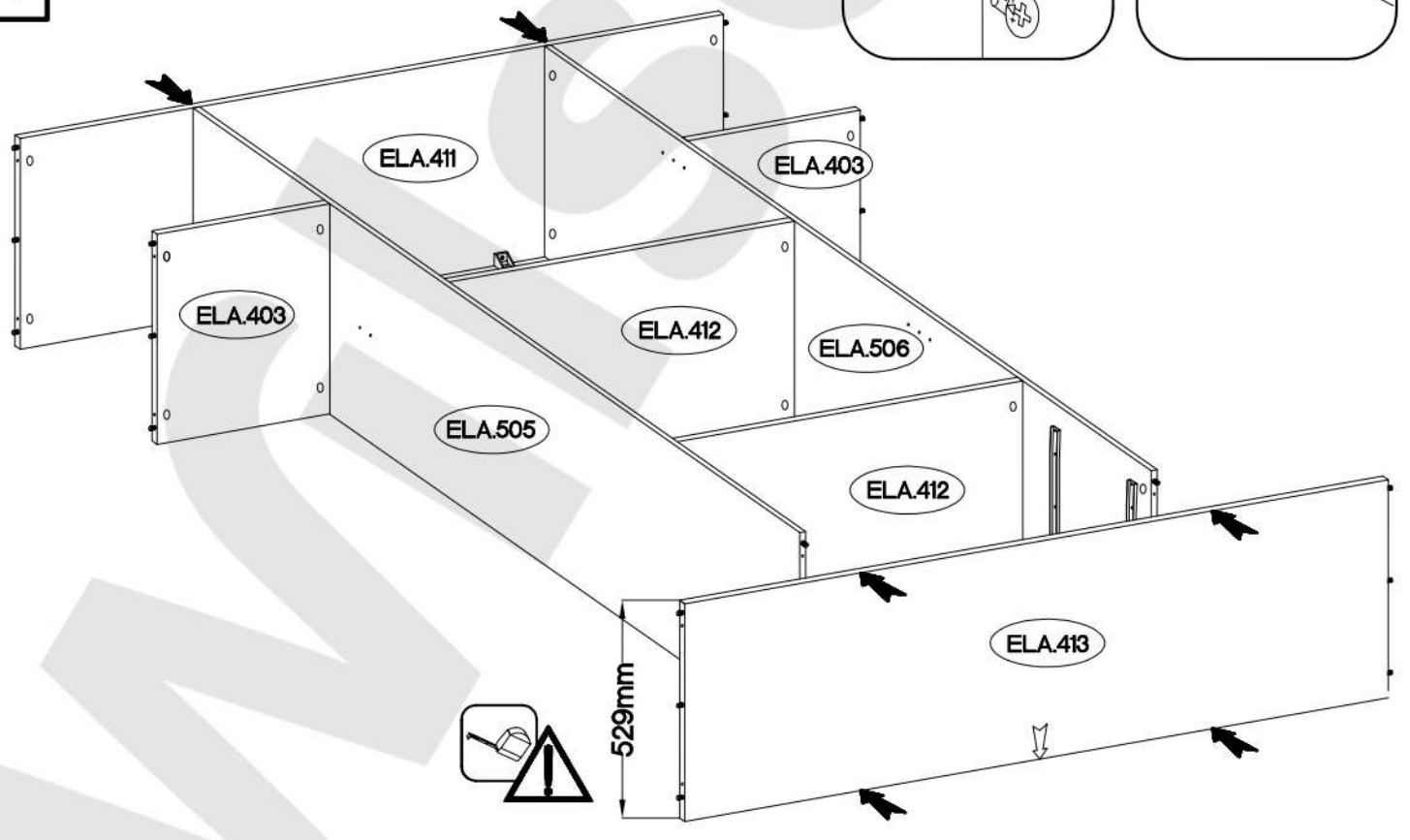
12



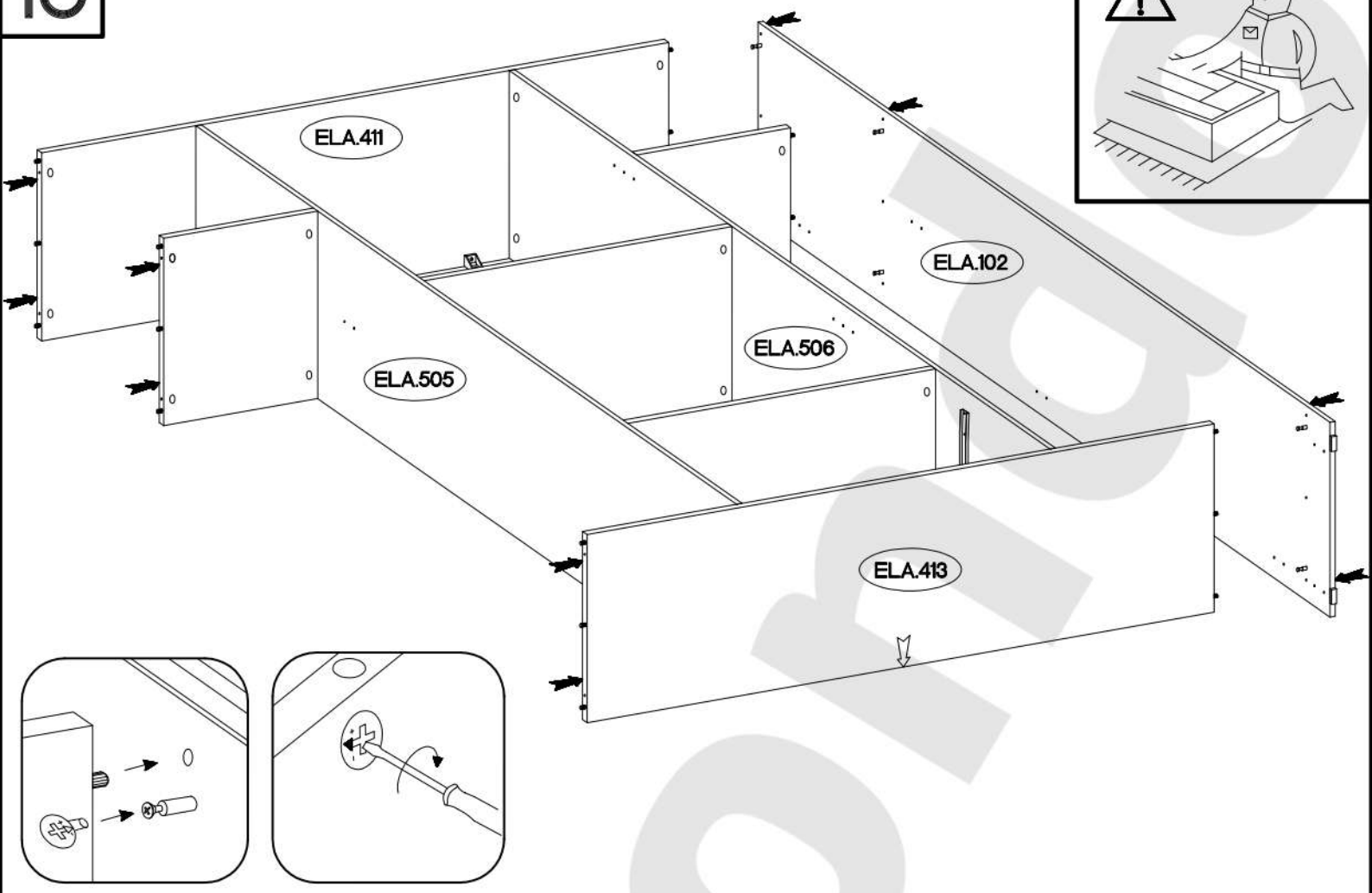
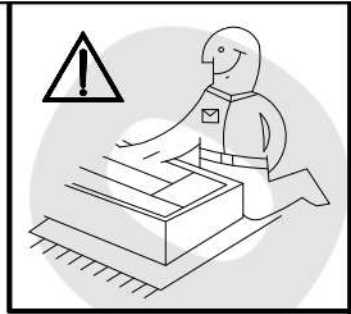
13



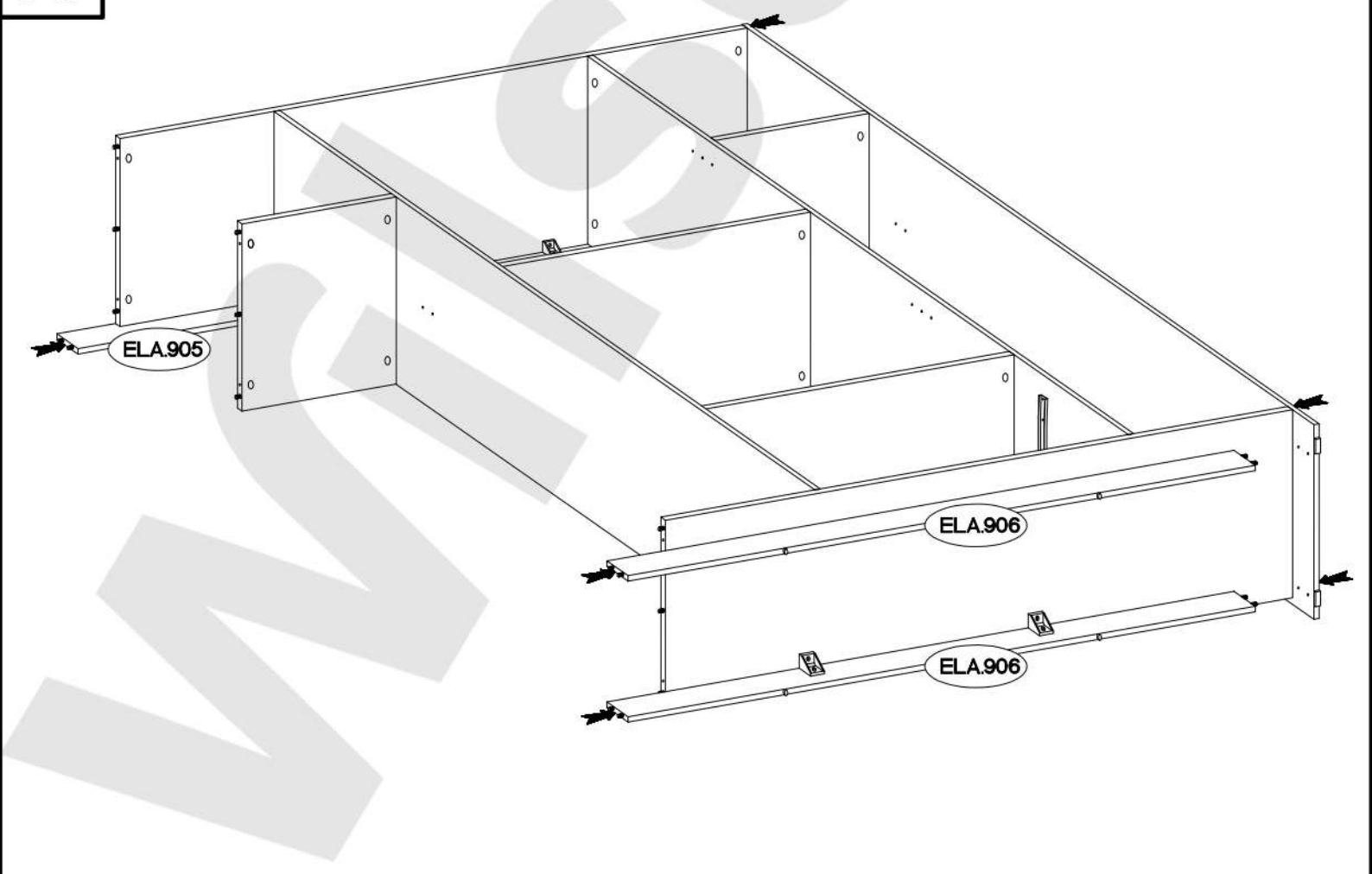
14



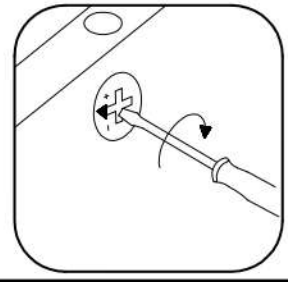
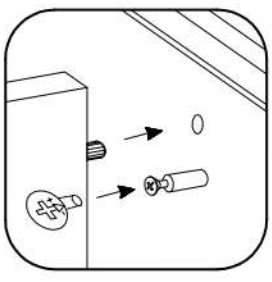
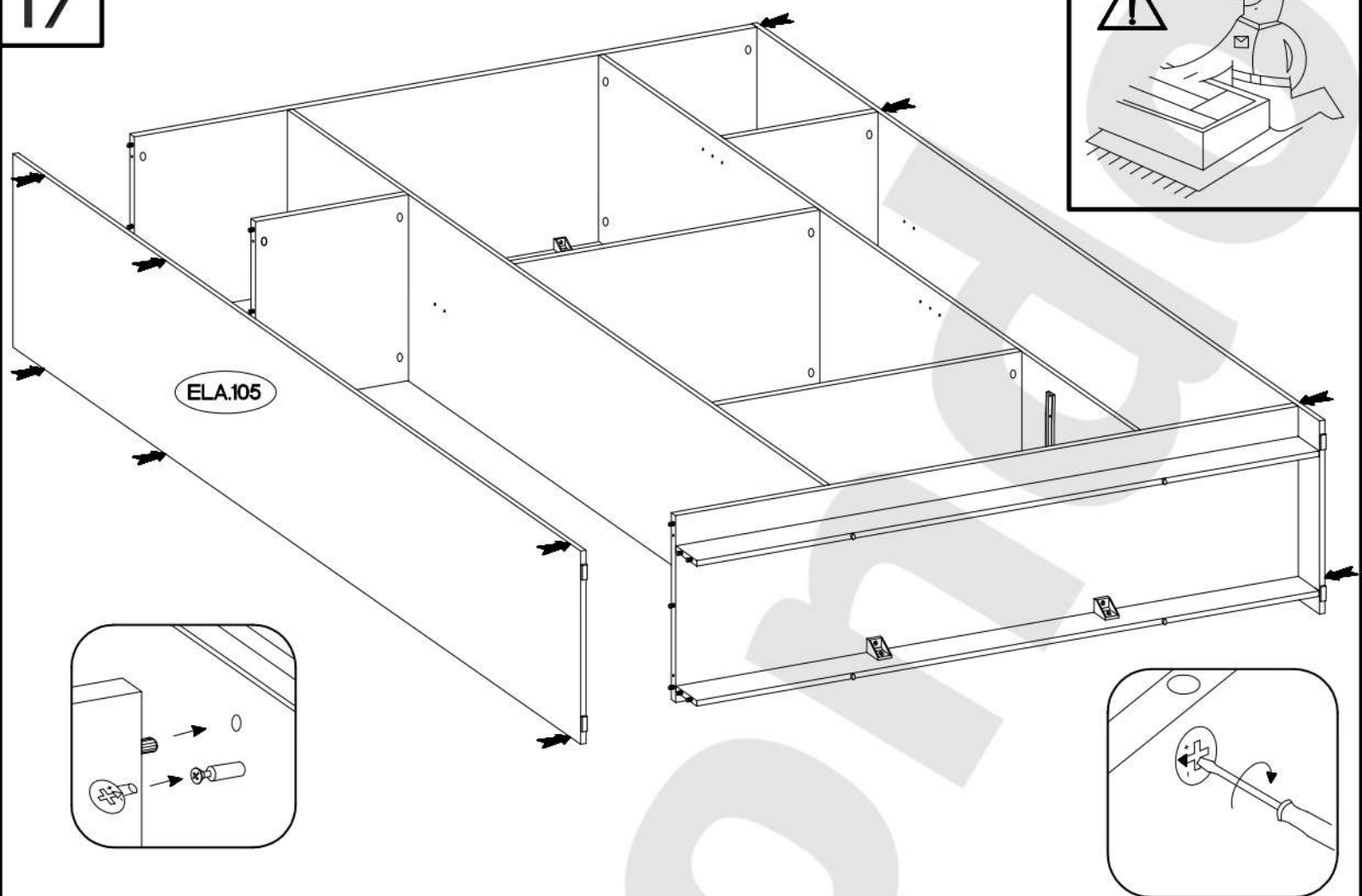
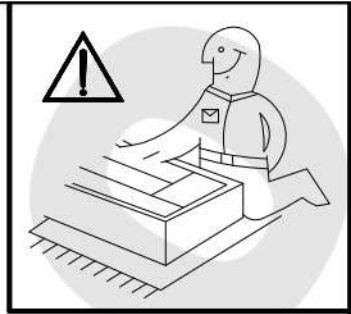
15



16

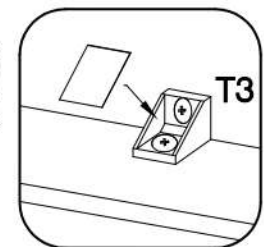
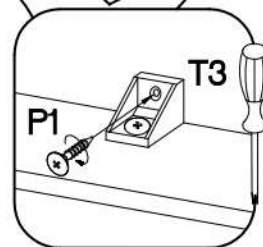
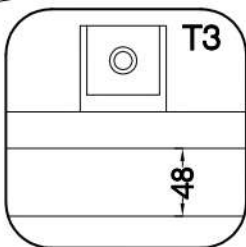
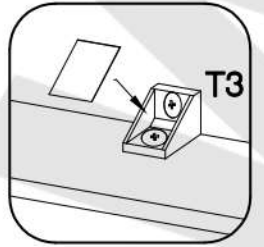
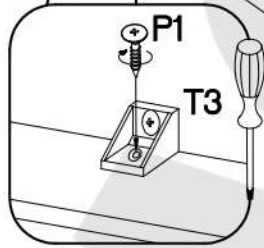
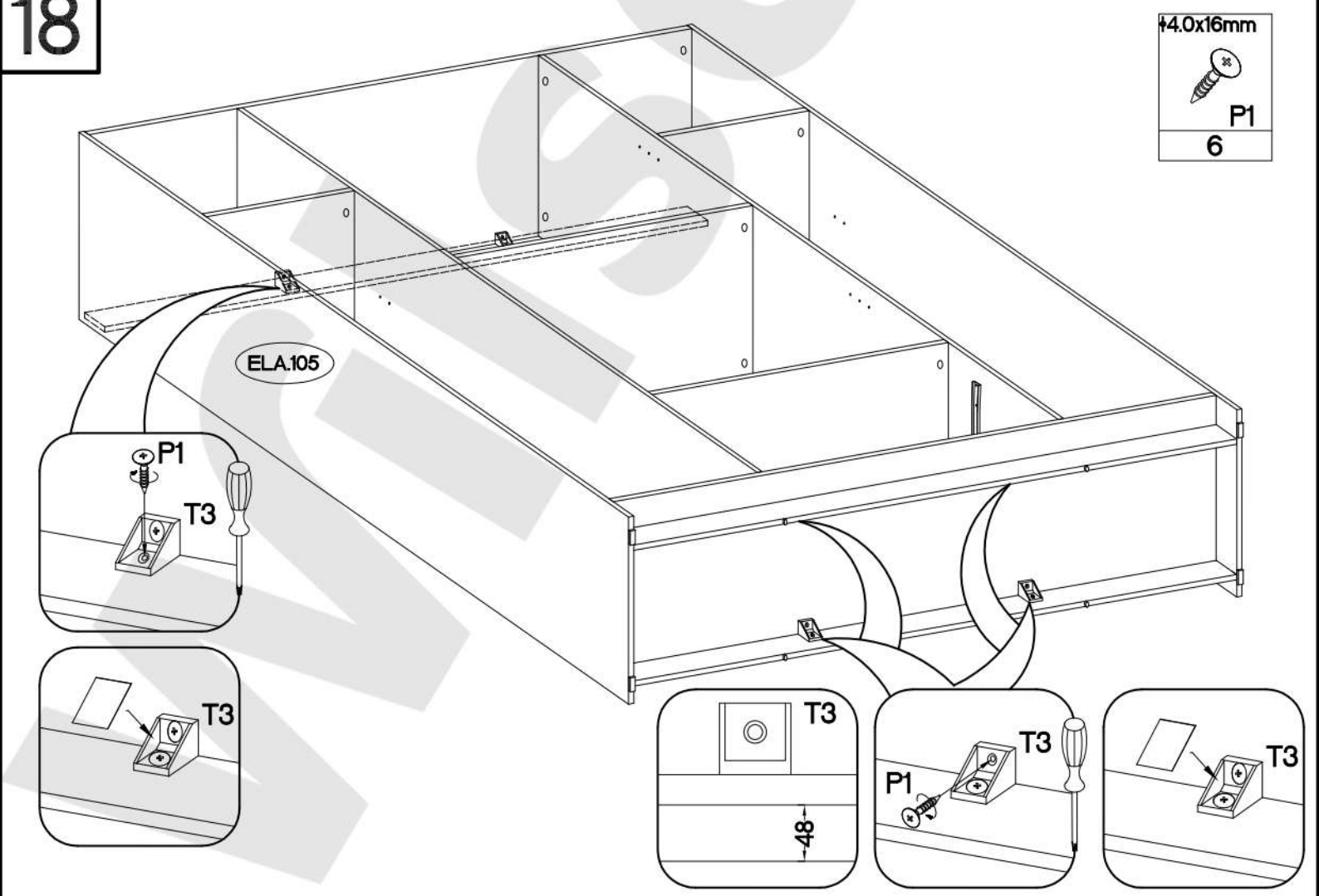




17

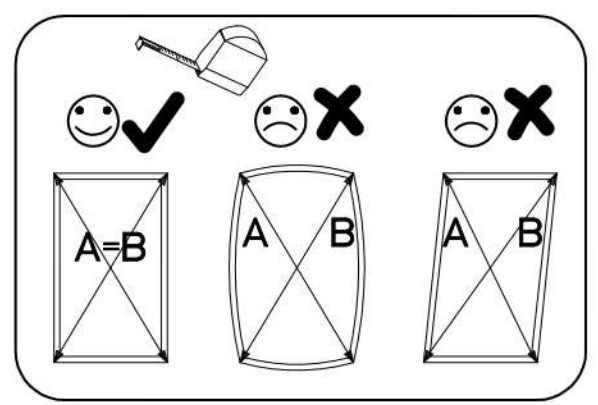
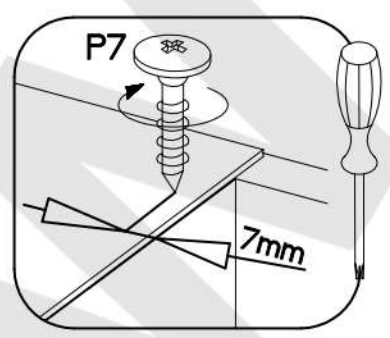
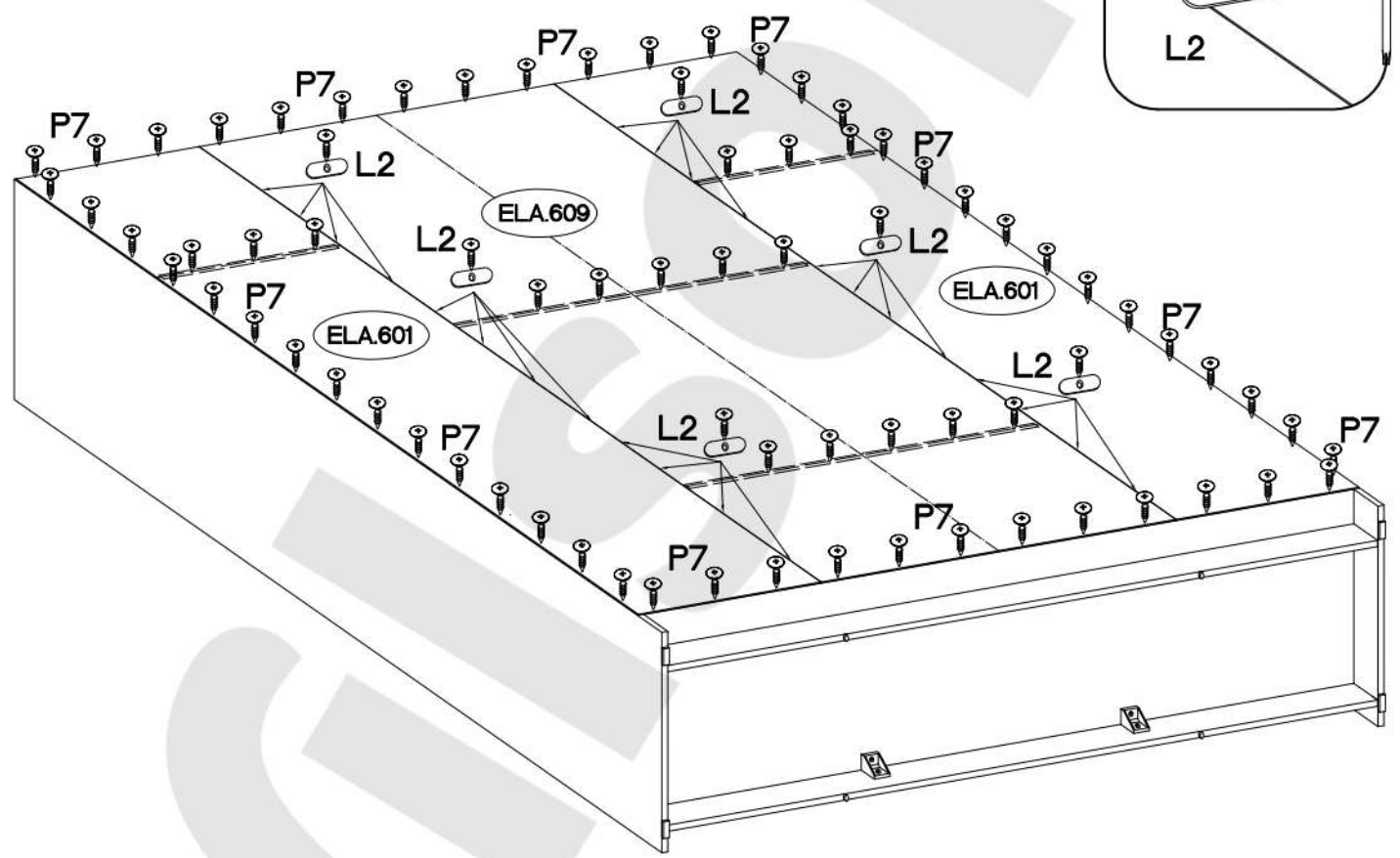
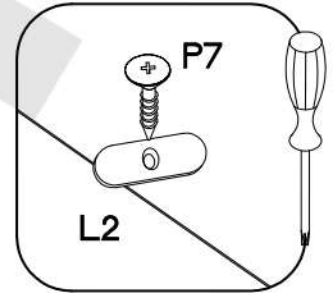
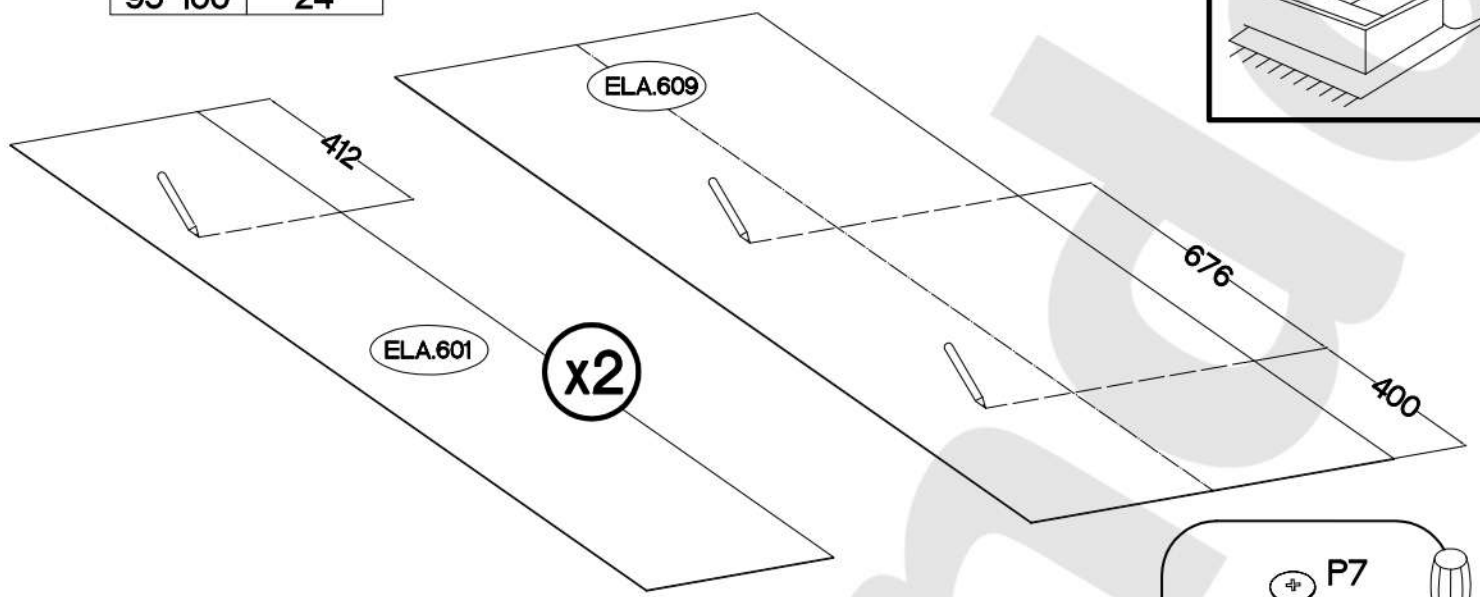
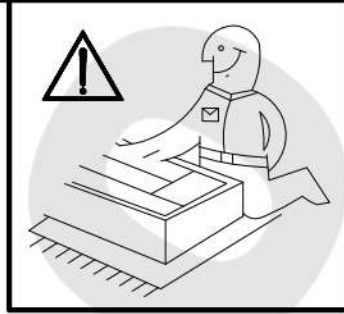


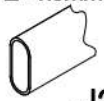



18

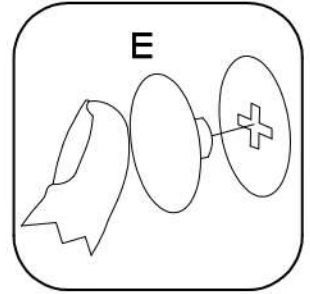
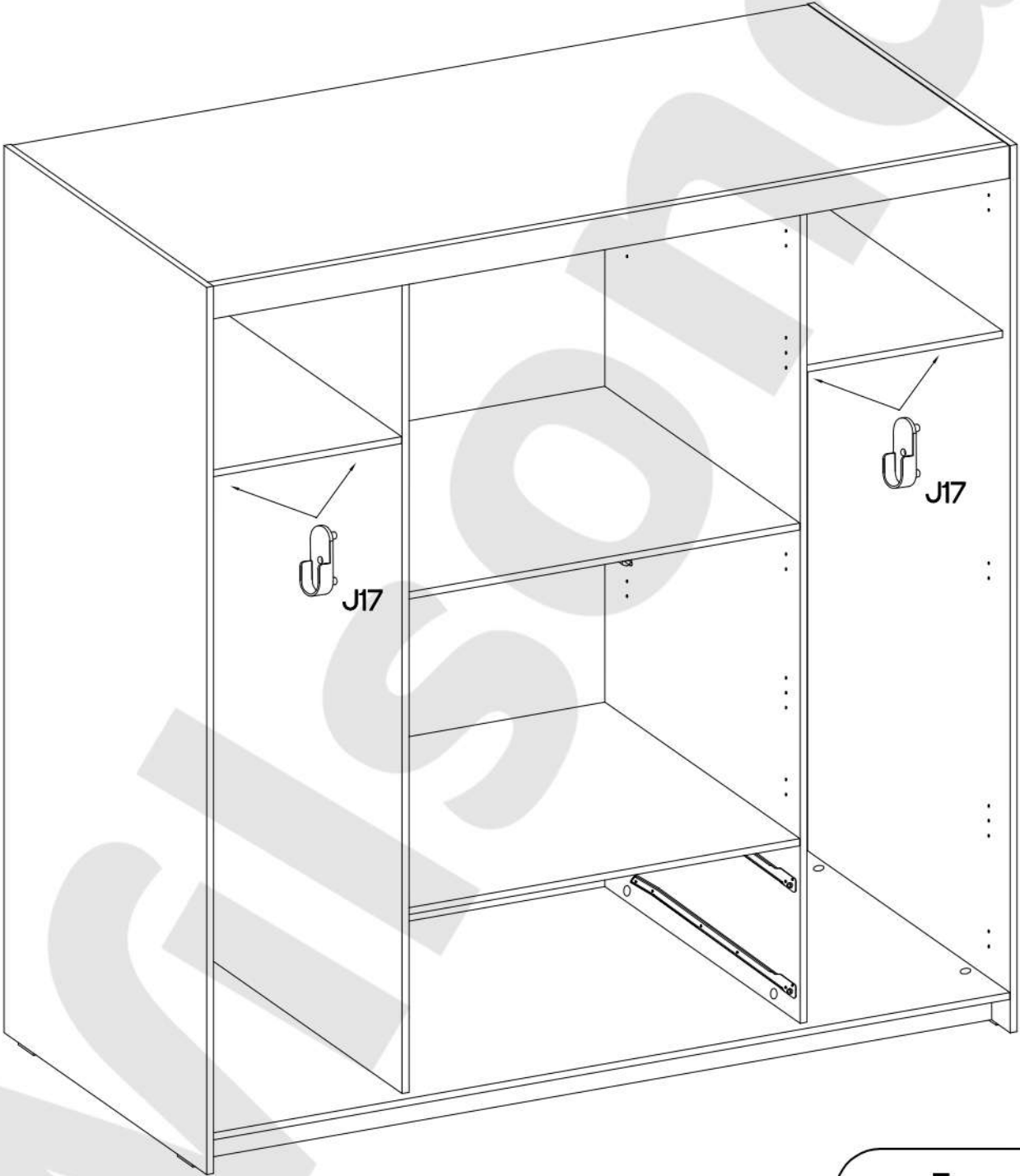
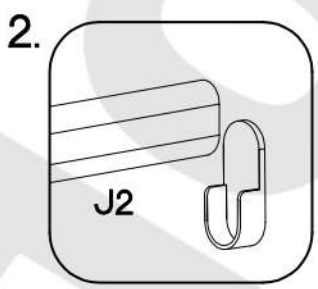
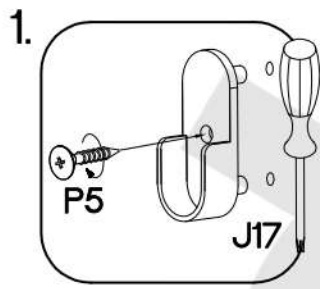
4.0x16mm
P1
6

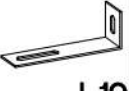





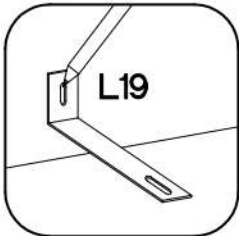
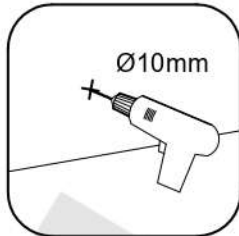

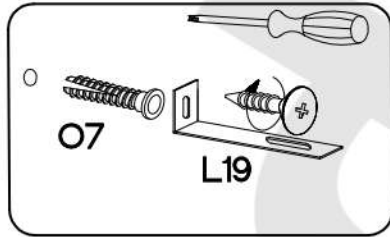
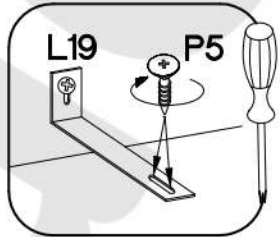
 P7 95-100	 L2 24
--	--

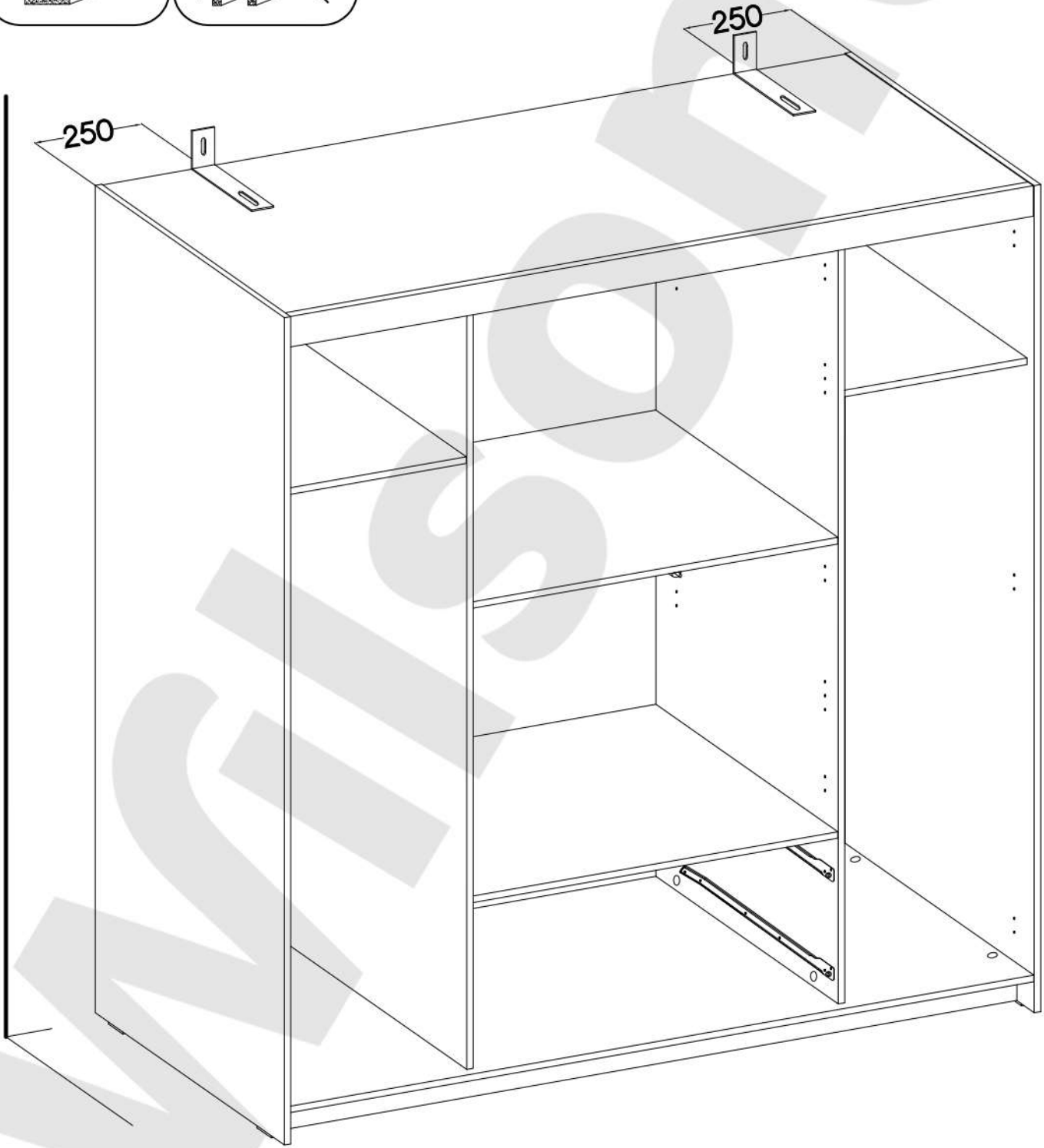
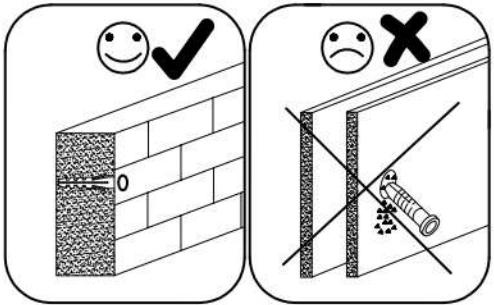



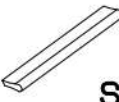

L=418mm  J2 2	 J17 4	∅3.5x13mm  P5 4	 E 28
--	--	--	---

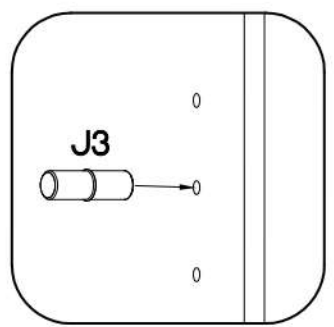
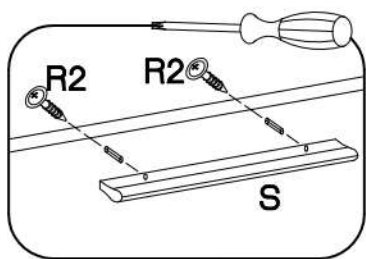
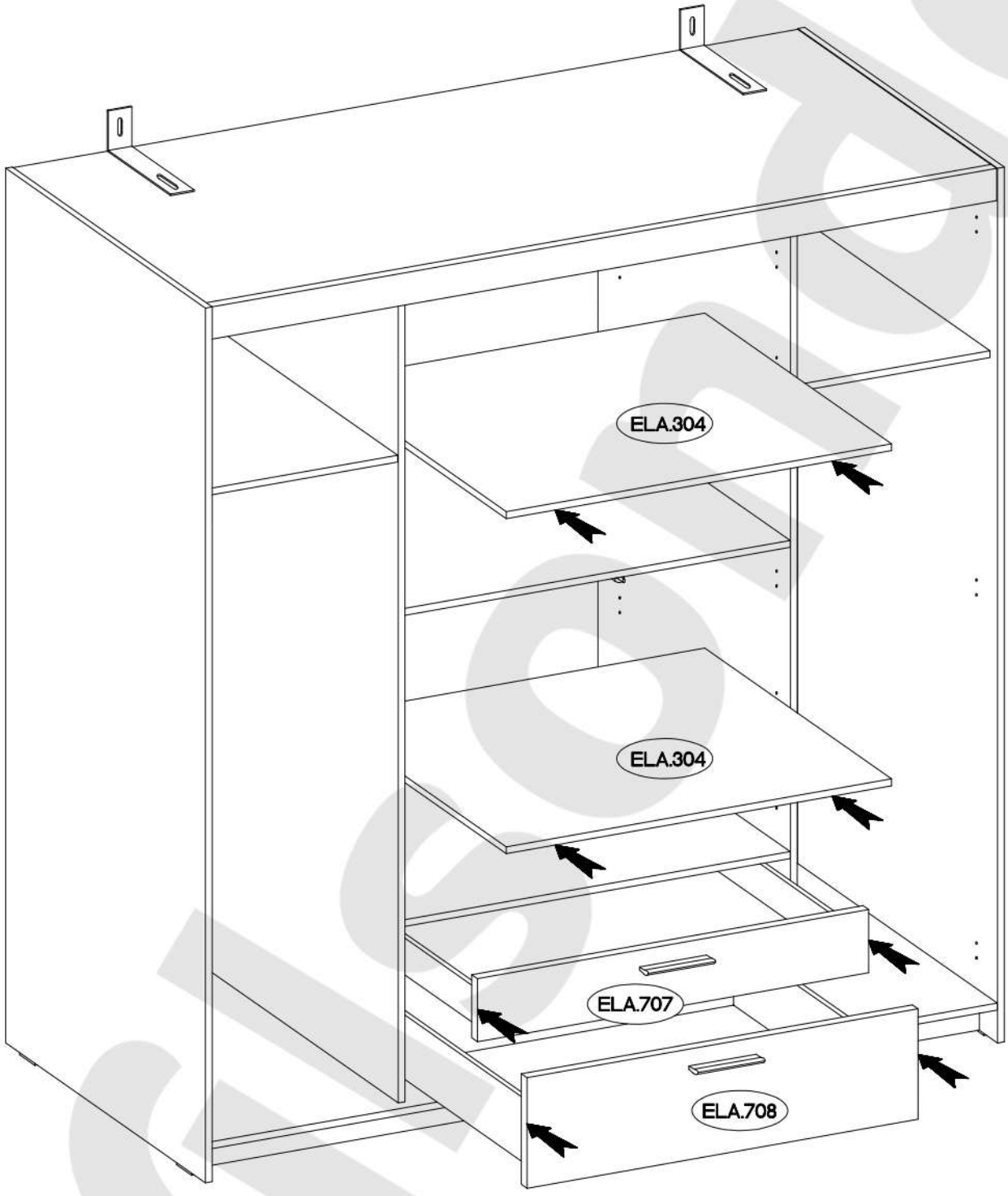


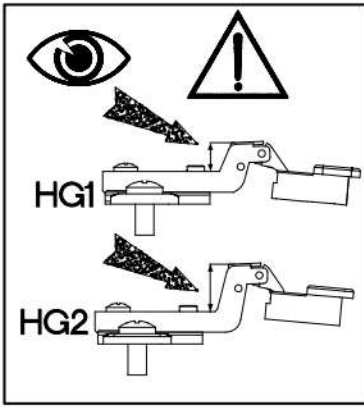
	3.5x13mm	5.0x60mm	10x50mm
			
L19	P5	P12	O7
2	4	2	2

- 
- 
- 
- 
- 

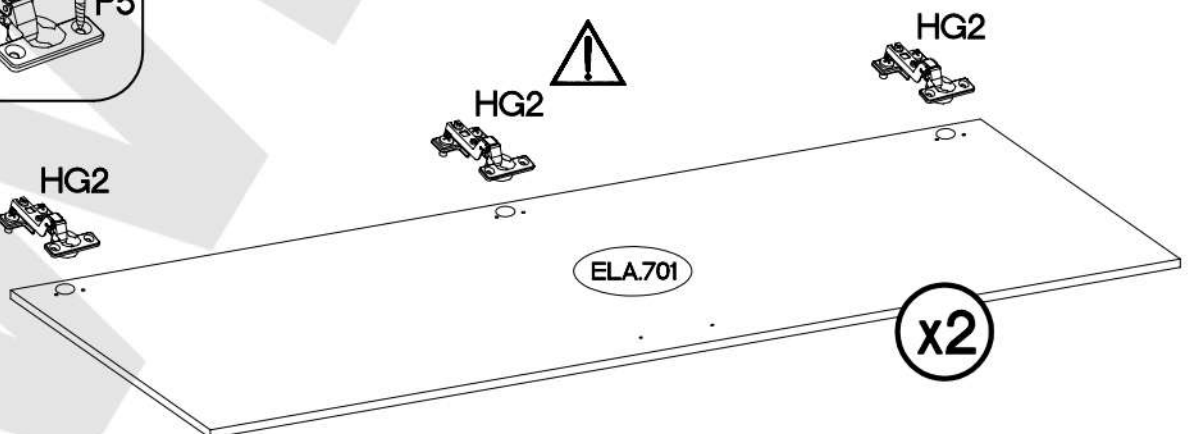
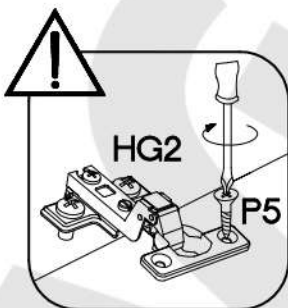
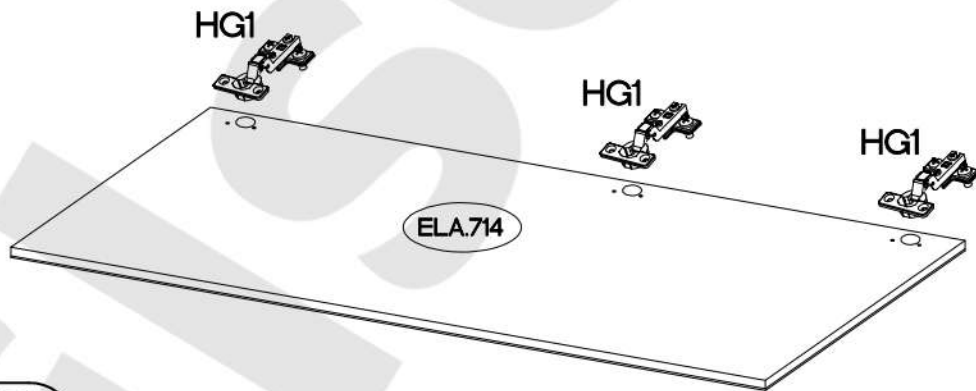
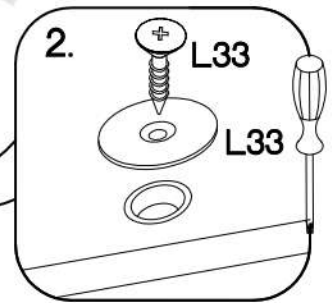
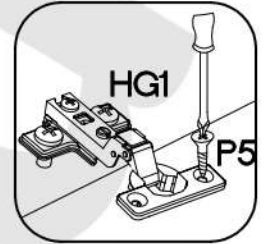
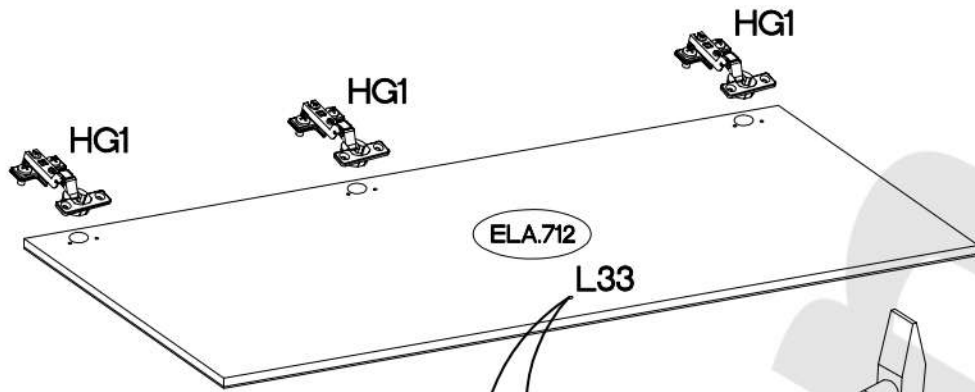
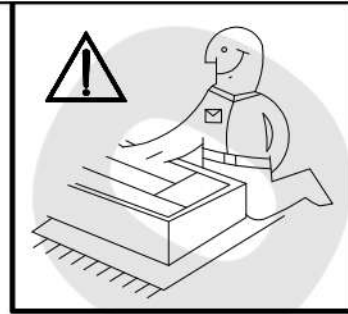


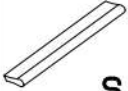

$\pm 5/16$ mm  J3 8	L=128mm  S 2	$\pm 4.0 \times 30$ mm  R2 4
--	---	---





$\pm 35/9\text{mm}$ H=0 HG1 6	$\pm 35/16\text{mm}$ HG2 6	$\pm 3.5 \times 13\text{mm}$ P5 24	L33 1
--	----------------------------------	--	----------



L=128mm	4.0x30mm
	
S	R2
2	4

