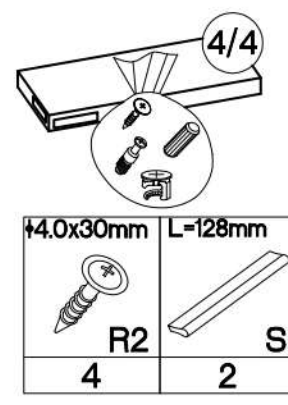
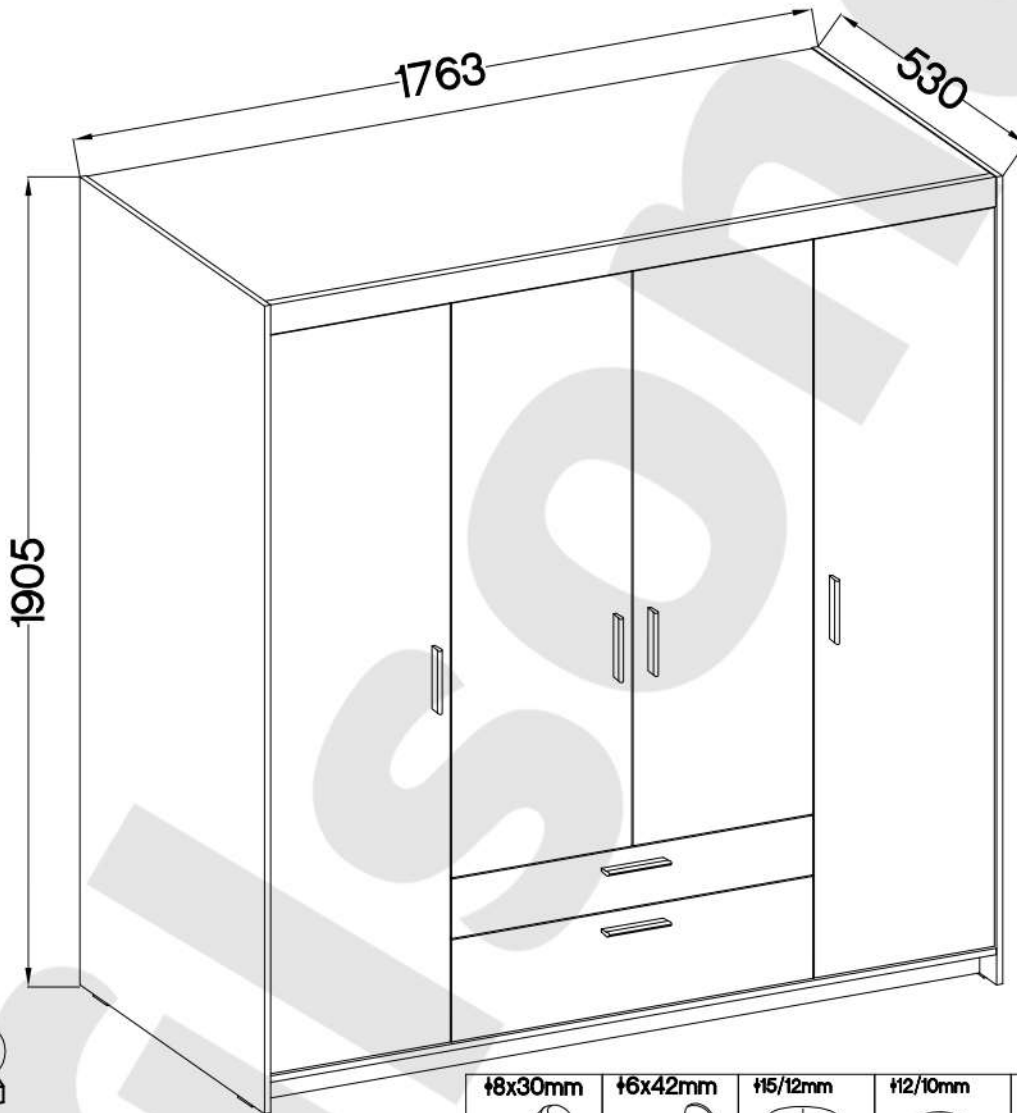
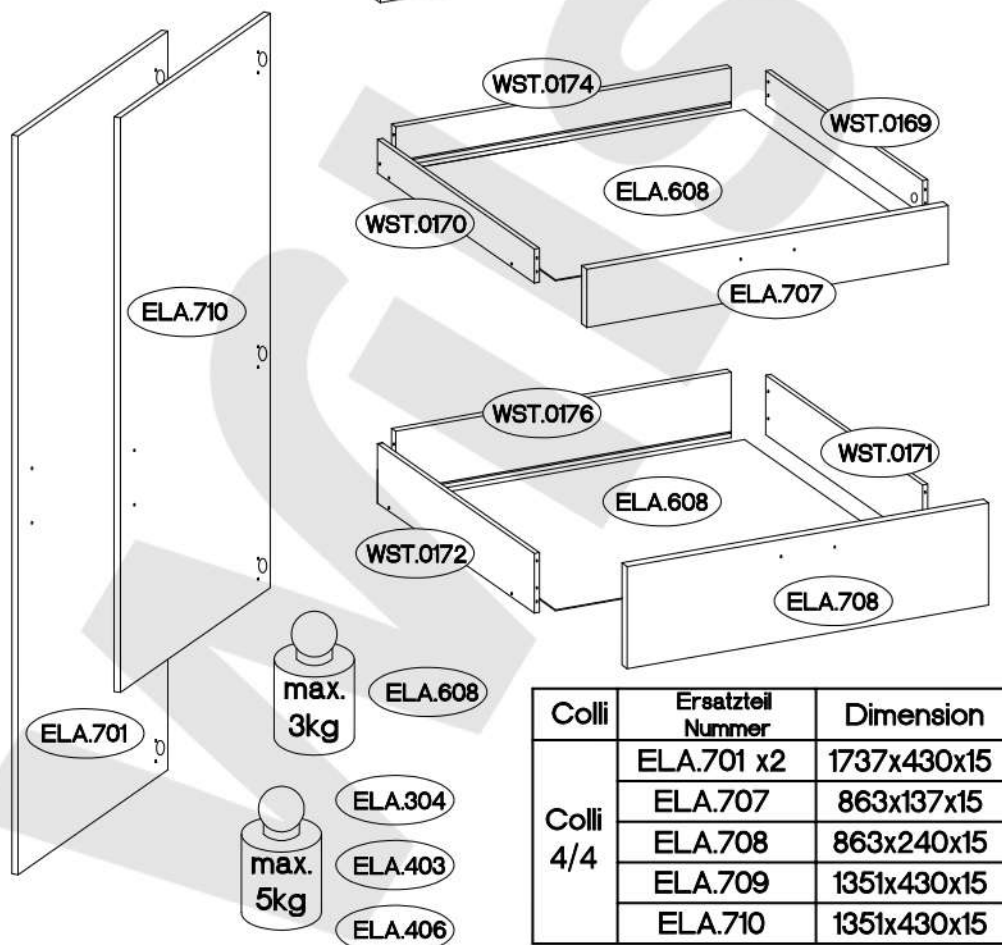
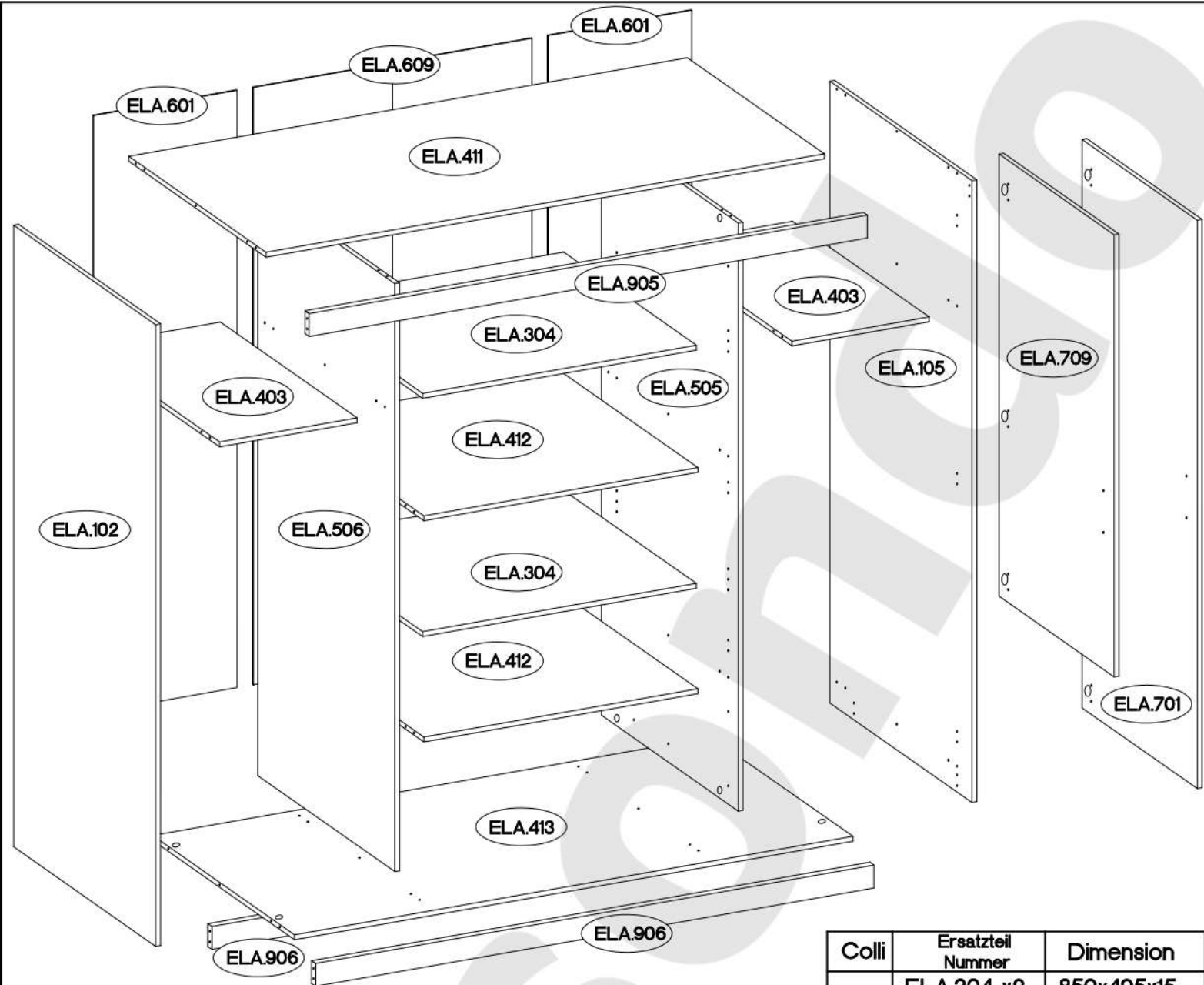


ELENA 4D 2S



| | | | | | | | | | | |
|----------|----------|----------|----------|----------|----------|--------------|----------|----------|----------|---------|
| F2 4 | F4 4 | HG1 6 | HG2 6 | I15 2 | J2 2 | J3 8 | J17 4 | K34 2 | L2 24 | |
| L19 2 | M2 12 | M4 12 | O7 2 | P1 12 | P5 44 | P7 95-100 | P12 2 | R2 8 | S 4 | T3 6 |






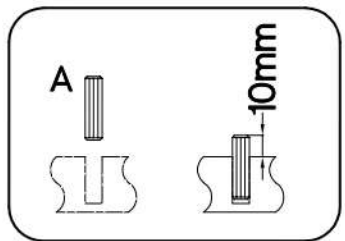
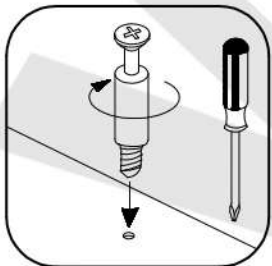
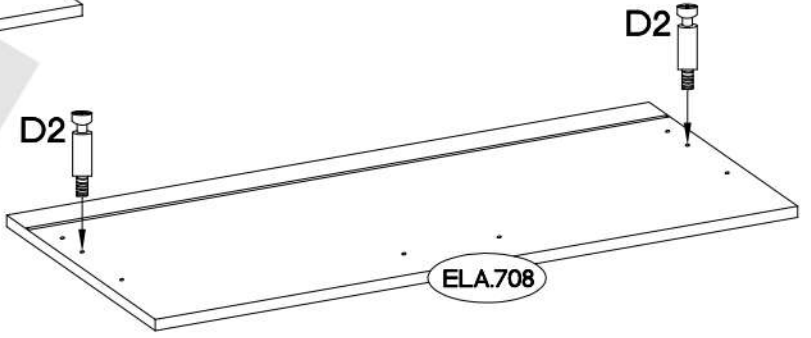
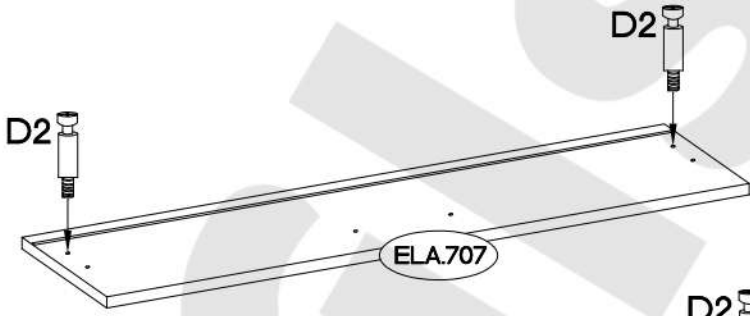
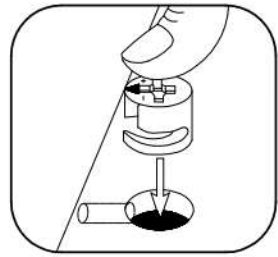
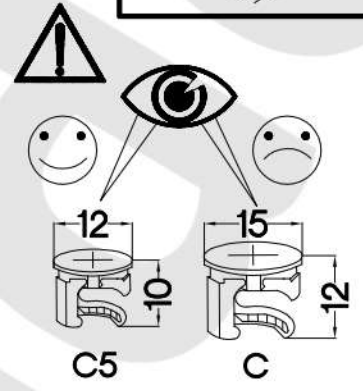
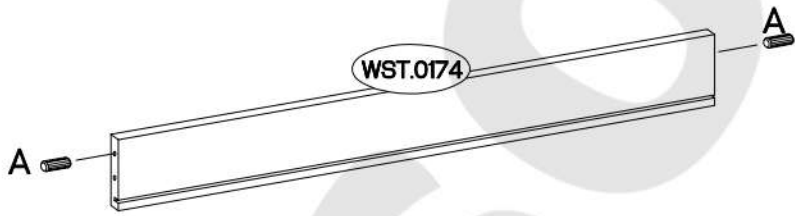
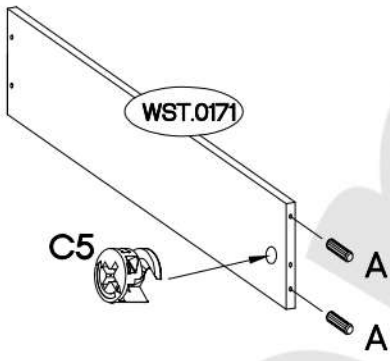
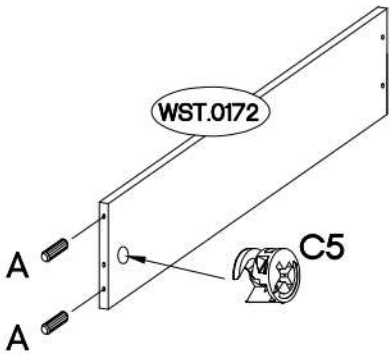
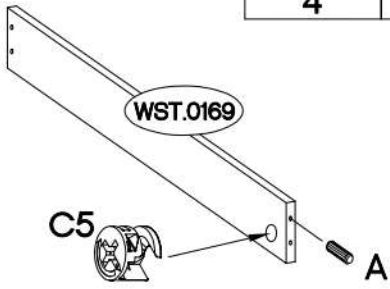
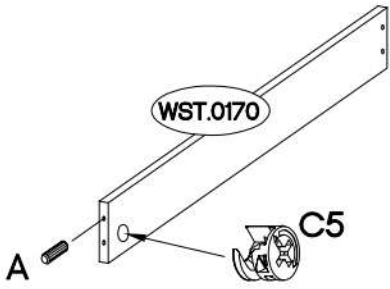
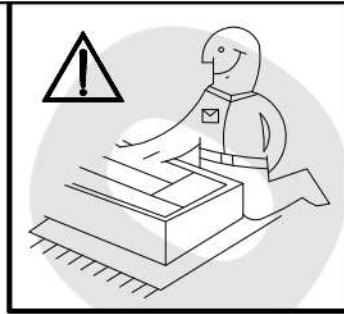
| Colli | Ersatzteil Nummer | Dimension |
|-----------|-------------------|-------------|
| Colli 1/4 | ELA.304 x2 | 850x495x15 |
| | ELA.403 x2 | 426x510x15 |
| | ELA.411 | 1733x512x15 |
| | ELA.412 x2 | 851x510x15 |
| | ELA.413 | 1733x529x15 |

| Colli | Ersatzteil Nummer | Dimension |
|-----------|-------------------|--------------|
| Colli 2/4 | ELA.506 | 1797x511x15 |
| | ELA.601 x2 | 1825x446x2.5 |
| | ELA.608 x2 | 824x448x2.5 |
| | ELA.609 | 1825x865x2.5 |
| | ELA.905 | 1733x70x15 |
| | ELA.906 x2 | 1733x70x15 |
| | WST.0169 | 450x70x12 |
| | WST.0170 | 450x70x12 |
| | WST.0171 | 450x140x12 |
| | WST.0172 | 450x140x12 |
| WST.0174 | 801x84x12 | |
| WST.0176 | 801x154x12 | |

| Colli | Ersatzteil Nummer | Dimension |
|-----------|-------------------|-------------|
| Colli 4/4 | ELA.701 x2 | 1737x430x15 |
| | ELA.707 | 863x137x15 |
| | ELA.708 | 863x240x15 |
| | ELA.709 | 1351x430x15 |
| | ELA.710 | 1351x430x15 |

| Colli | Ersatzteil Nummer | Dimension |
|-----------|-------------------|-------------|
| Colli 3/4 | ELA.102 | 1900x530x15 |
| | ELA.105 | 1900x530x15 |
| | ELA.505 | 1797x511x15 |

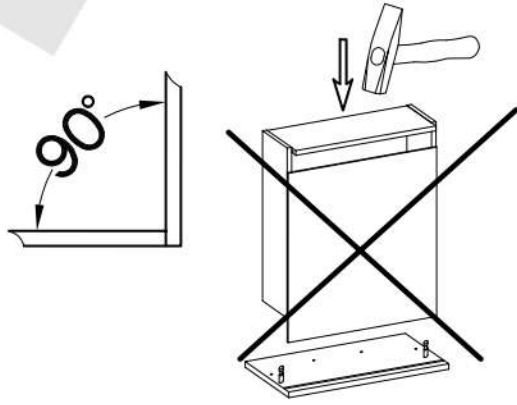
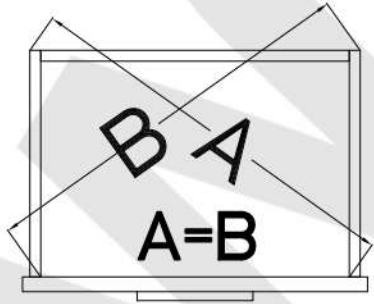
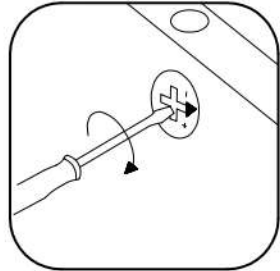
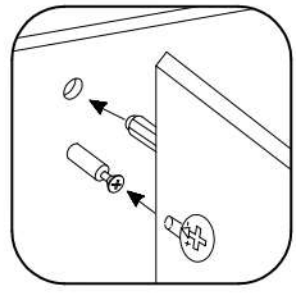
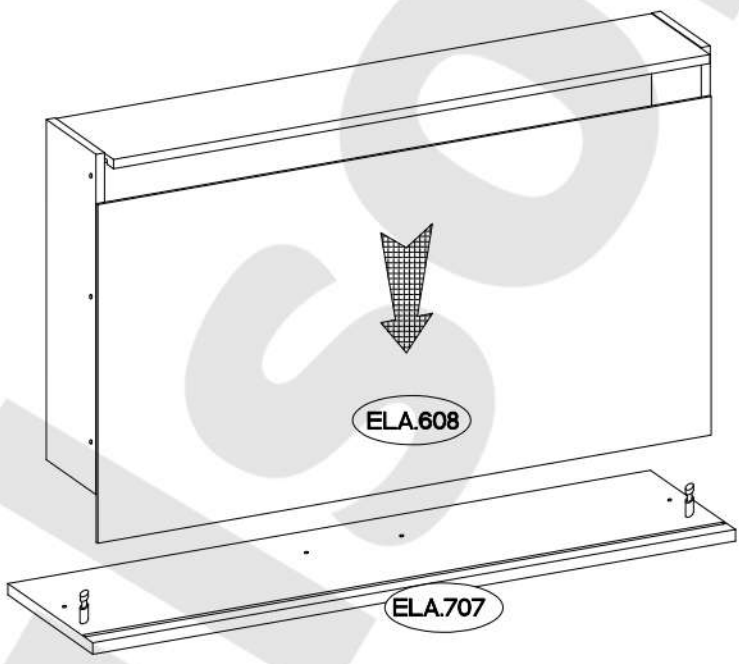
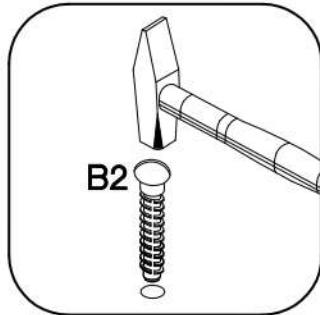
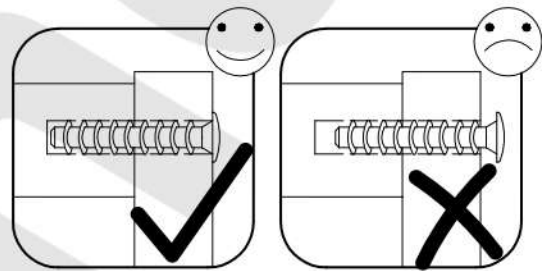
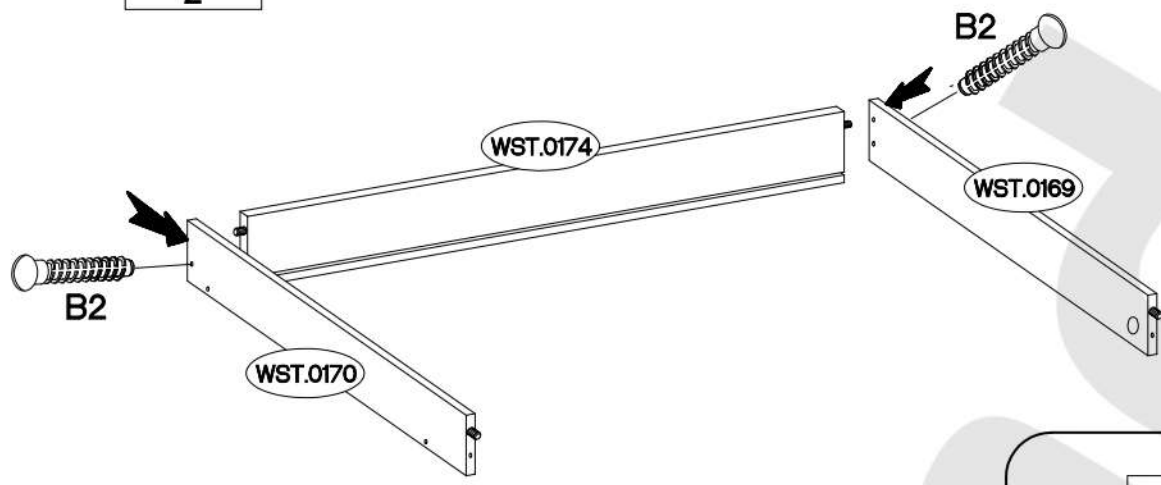
| | | |
|---|--|---|
| L=20mm  D2 4 | ±12/10mm  C5 4 | ±8x30mm  A 8 |
|---|--|---|



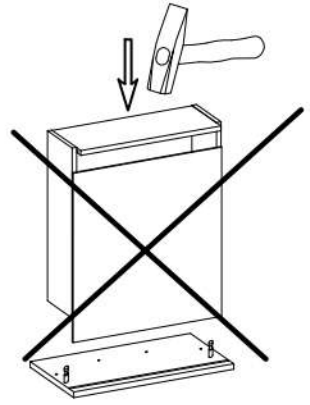
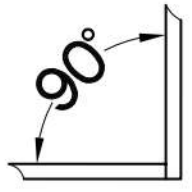
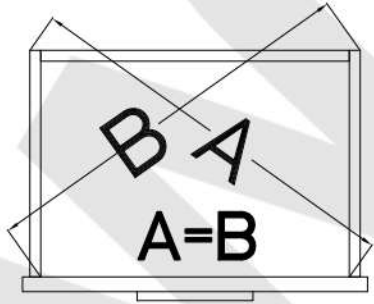
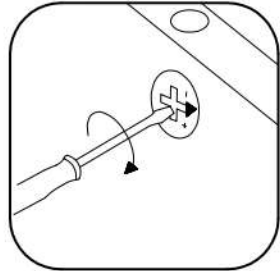
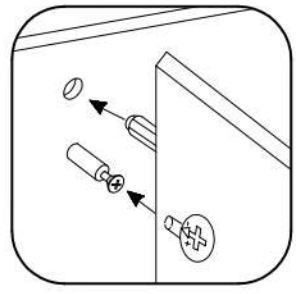
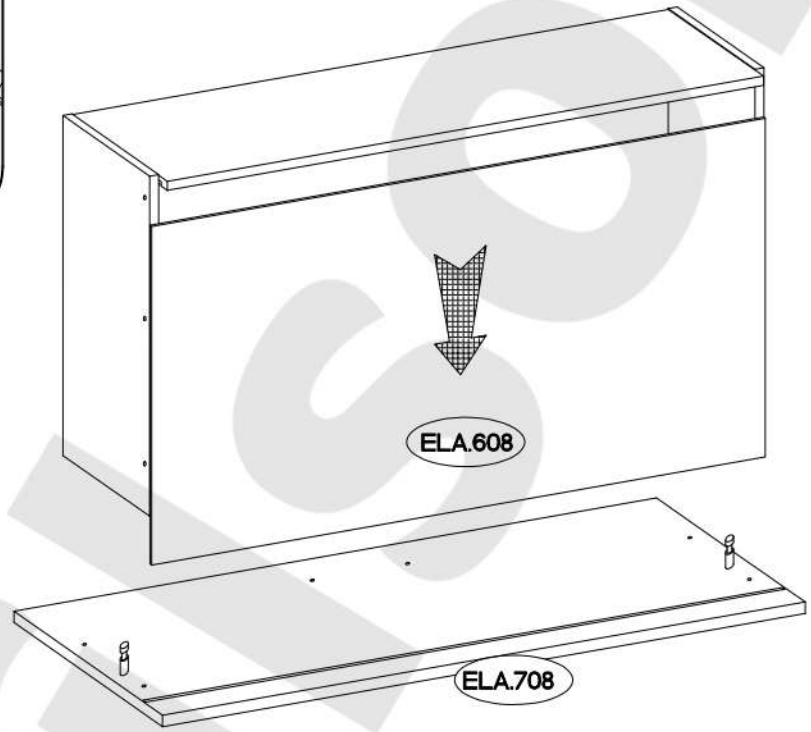
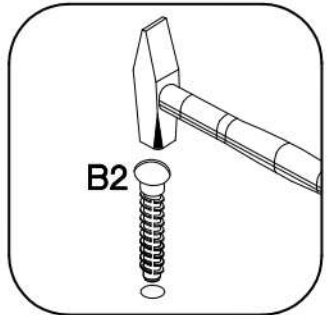
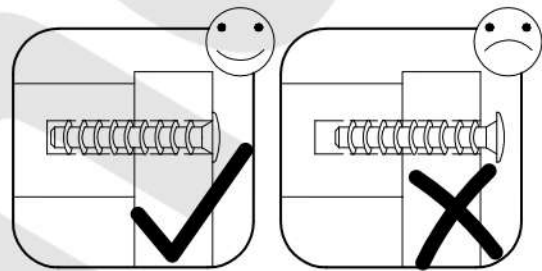
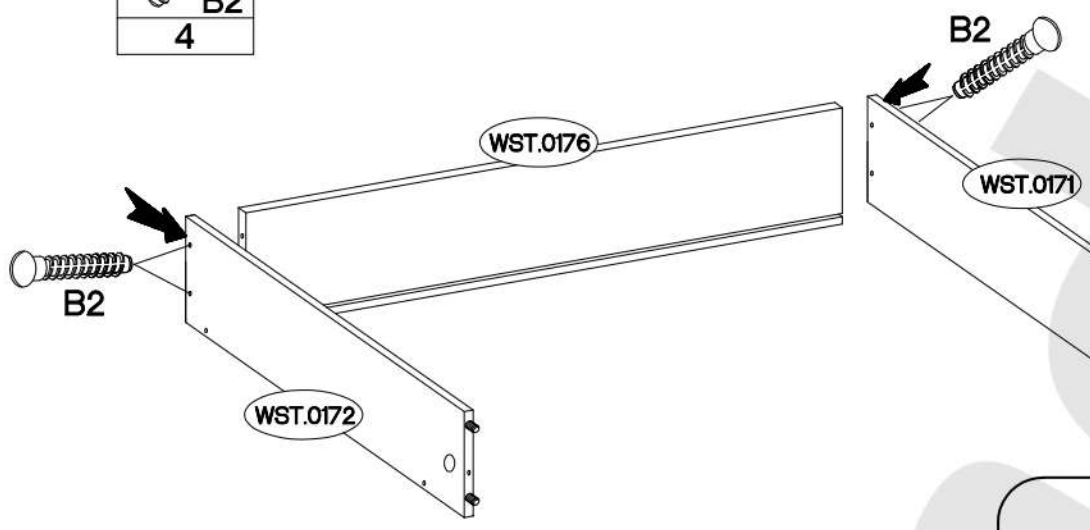
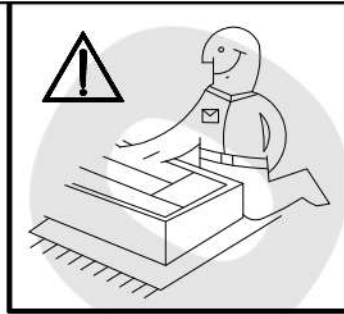
2

†6x42mm




 B2
 2

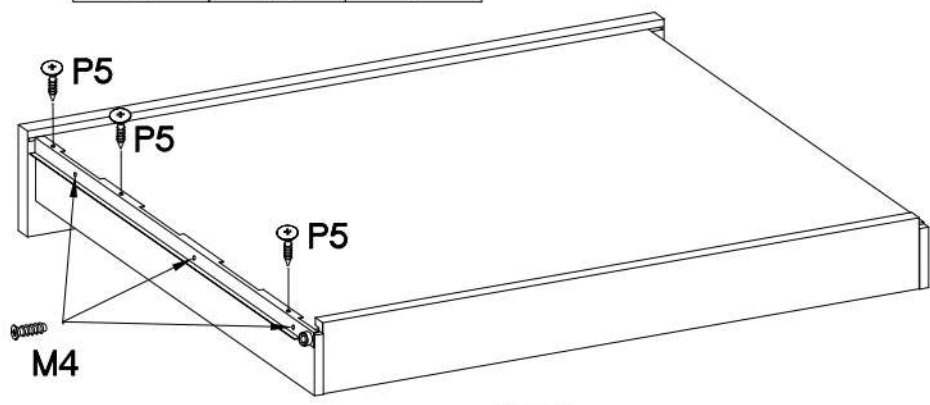
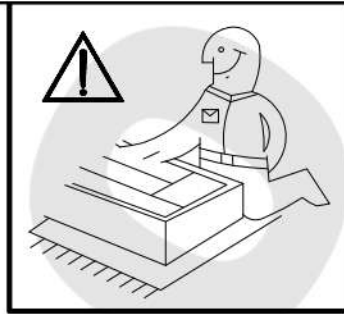
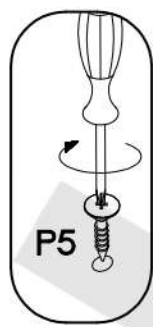


3

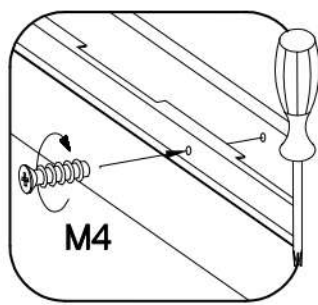
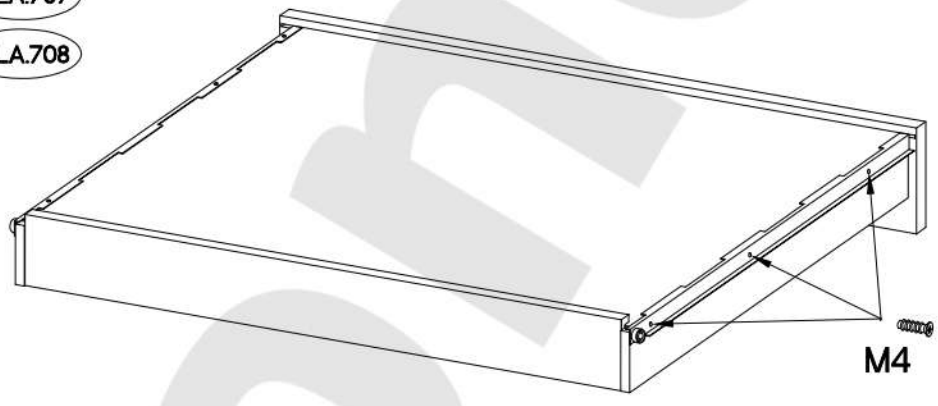


4

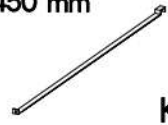

| | | |
|--|--|--|
| L=450mm  2 | +6,3x9,5mm  12 M4 | +3.5x13mm  6 P5 |
|--|--|--|

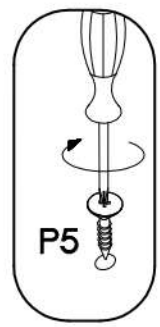
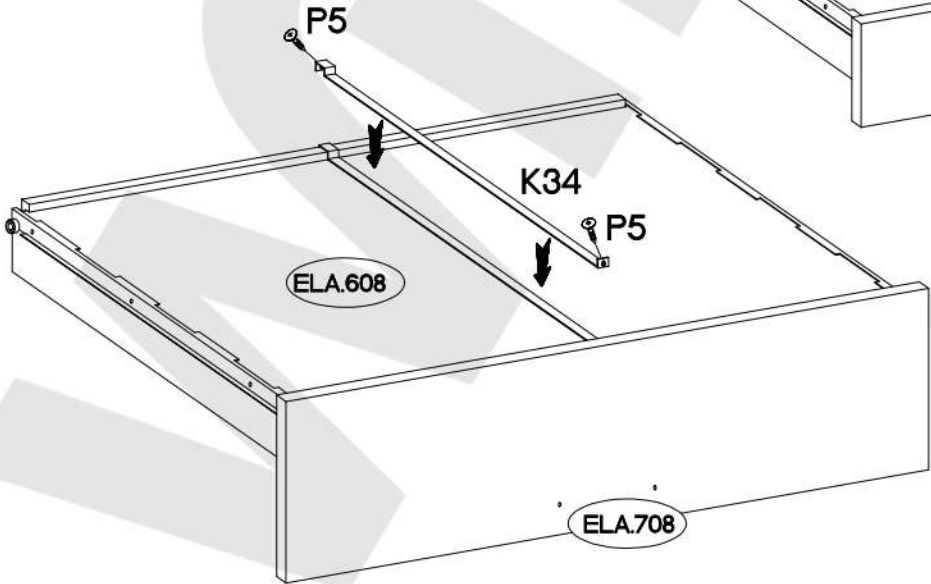
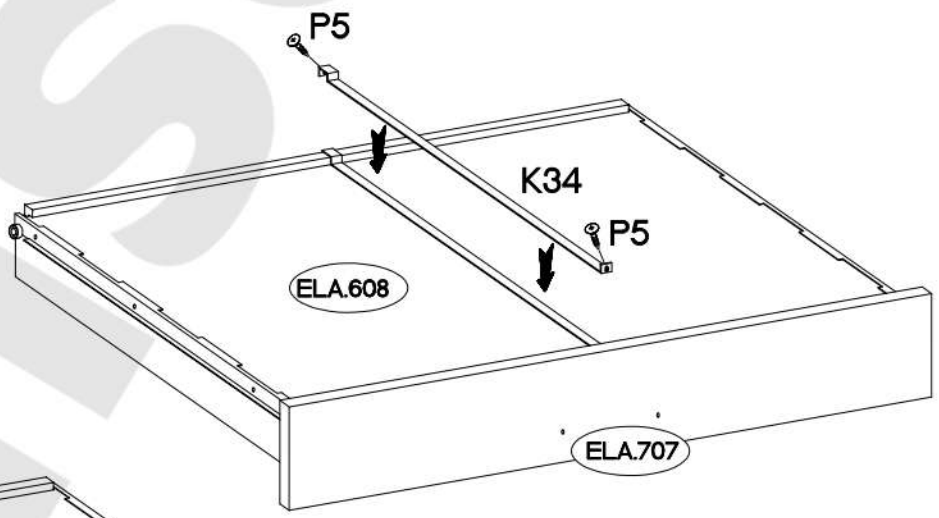


ELA.707
ELA.708







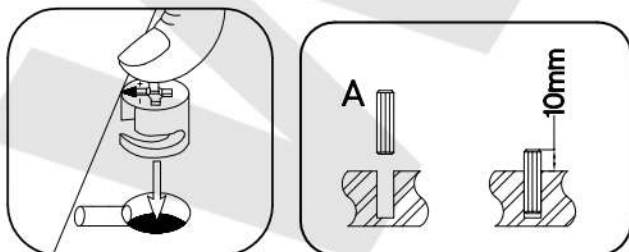
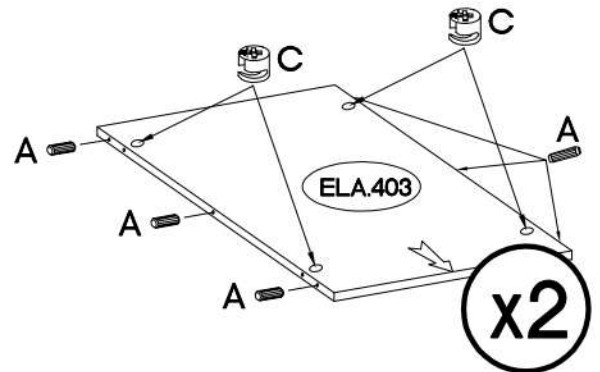
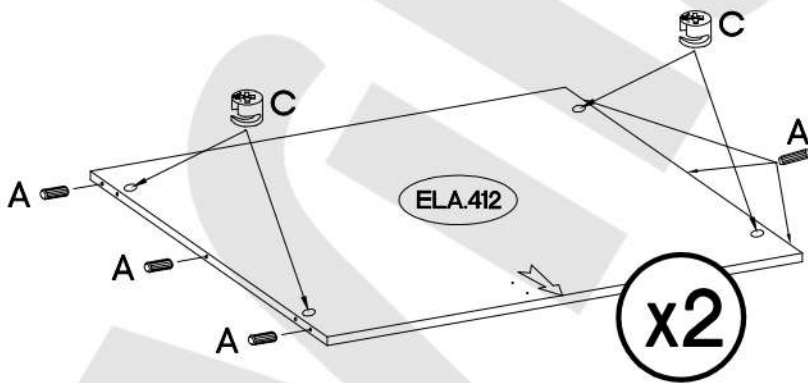
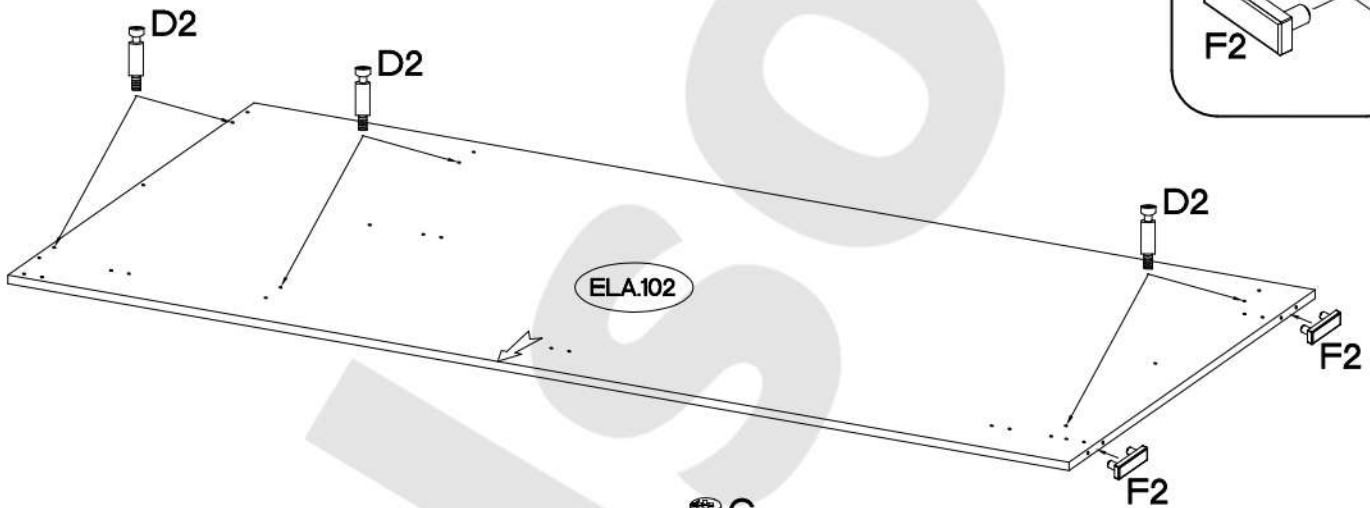
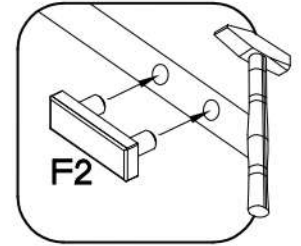
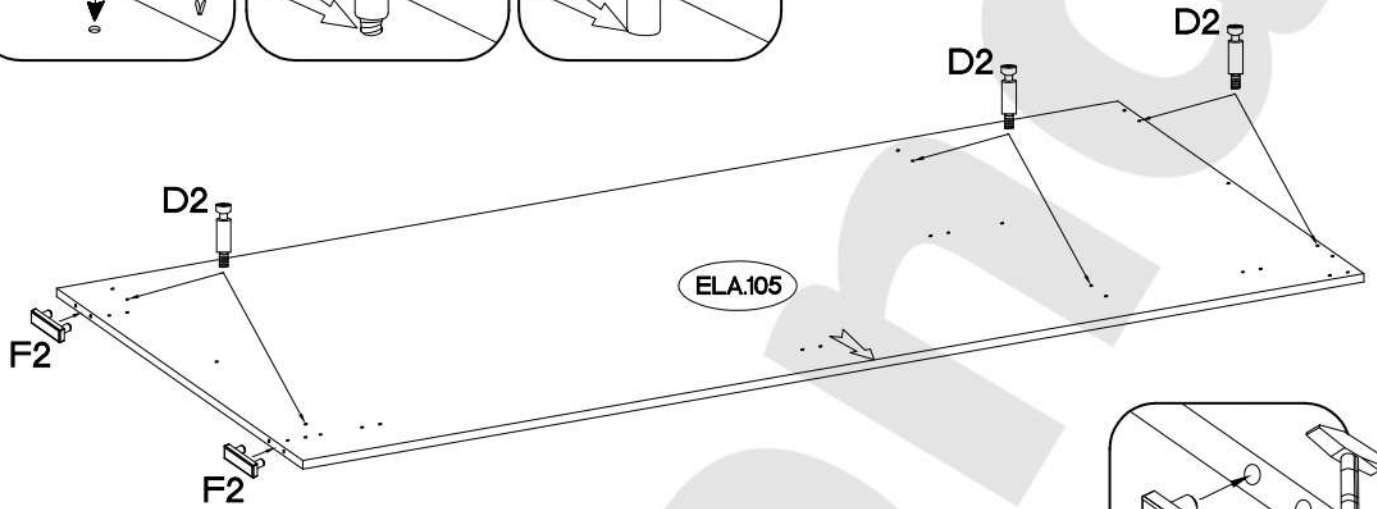
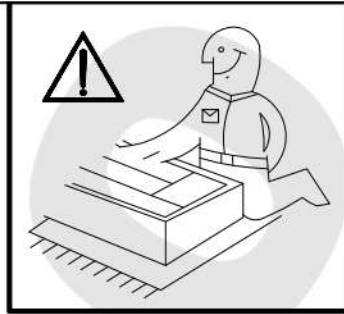
5

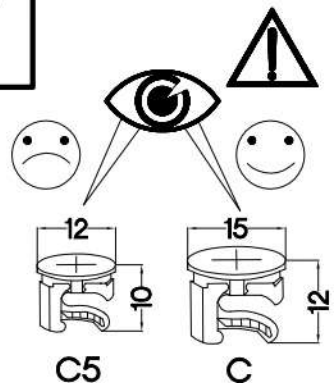
| | |
|---|---|
| L=450 mm  2 K34 | +3.5x13mm  4 P5 |
|---|---|



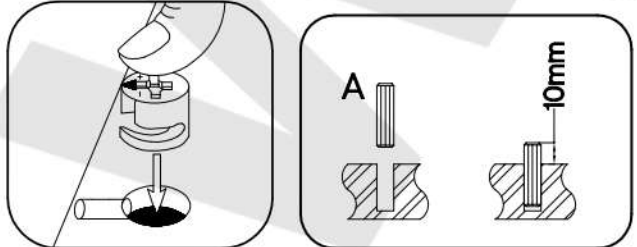
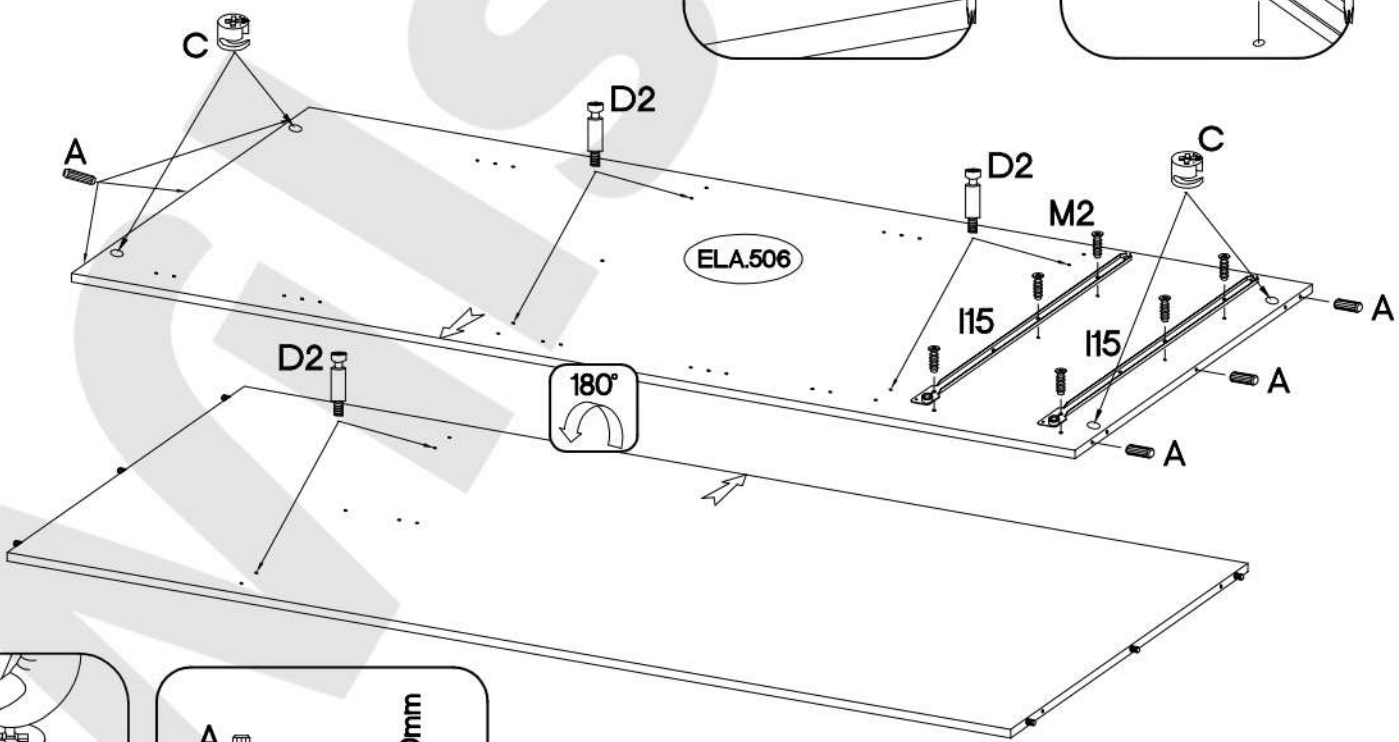
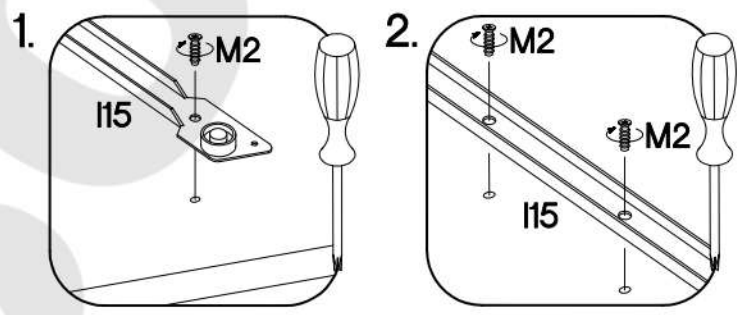
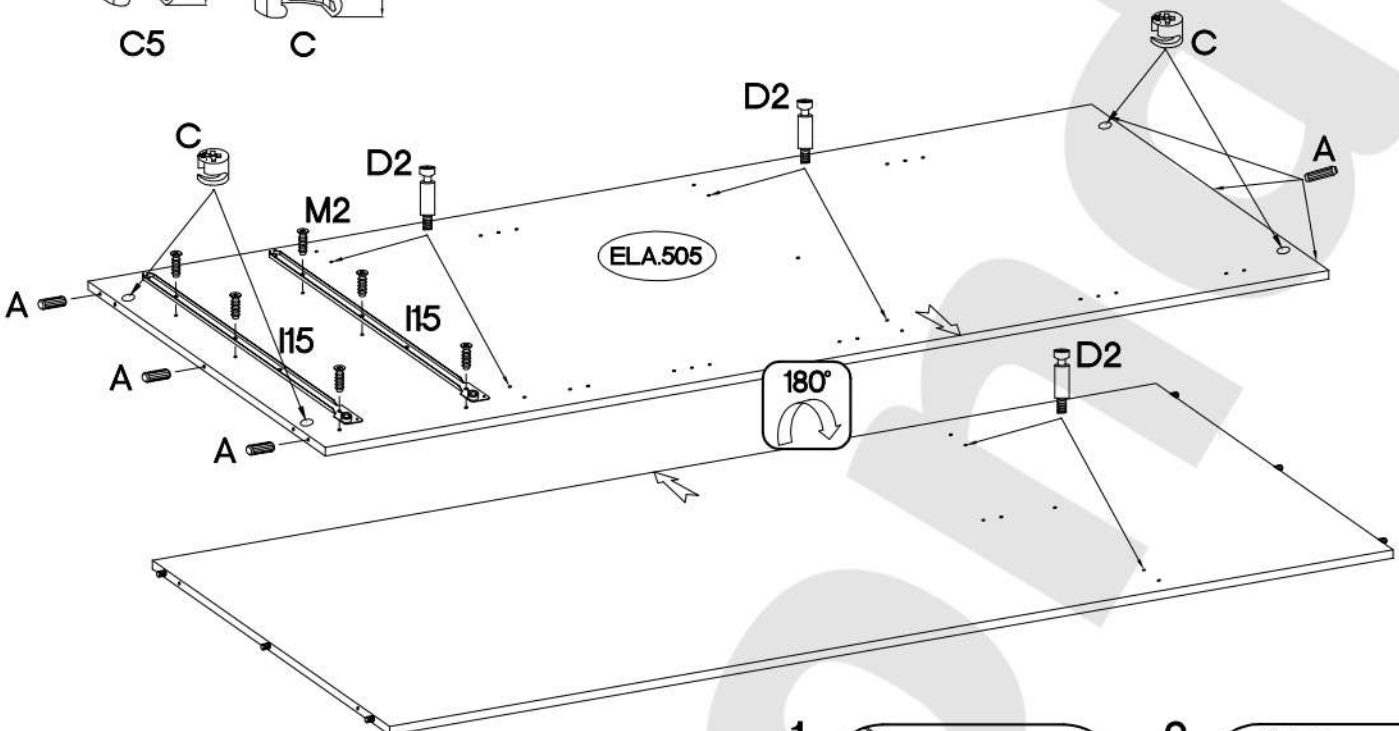
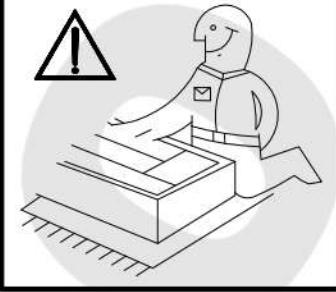
6







| | | | |
|--|--|--|---|
| L=20mm  D2 12 | 6.5x48x16  F2 4 | ±8x30mm  A 24 | ±15/12mm  C 16 |
|--|--|--|---|

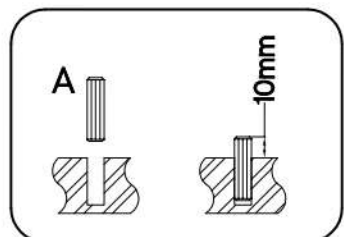
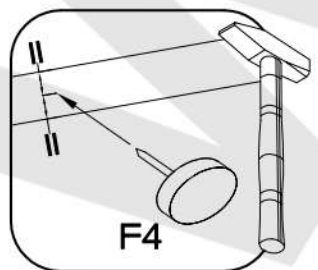
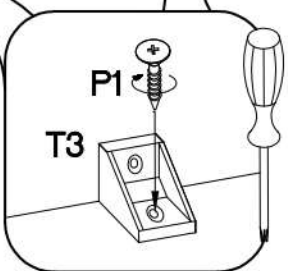
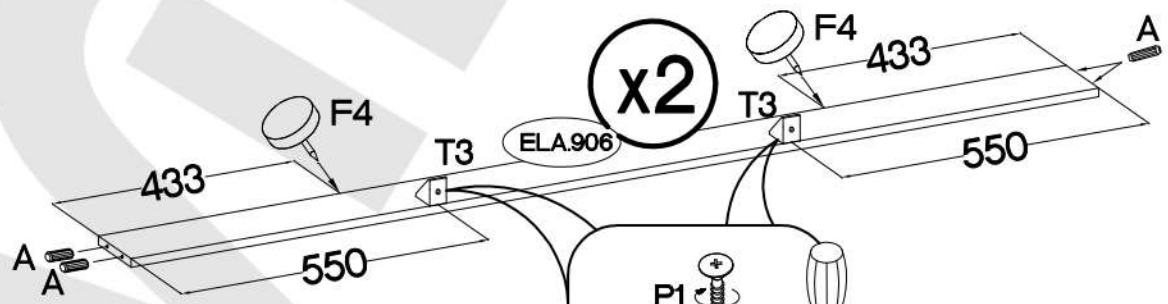
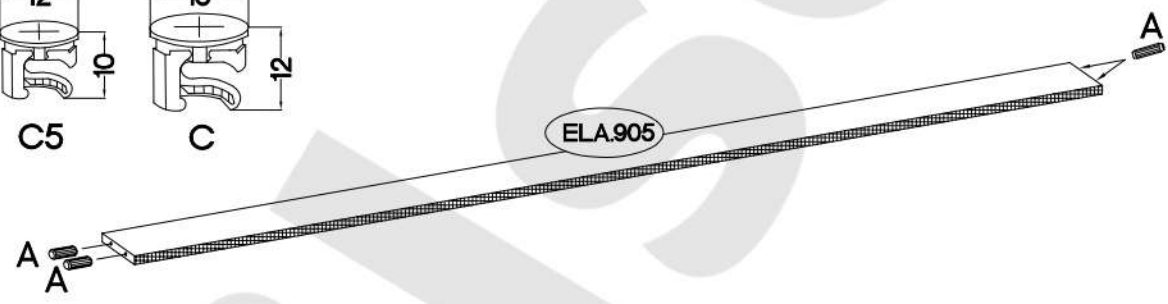
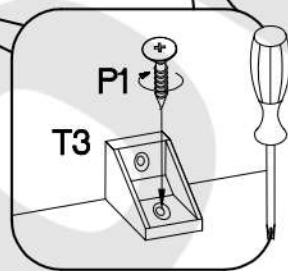
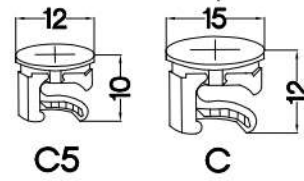
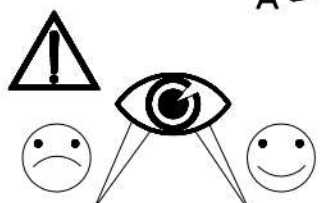
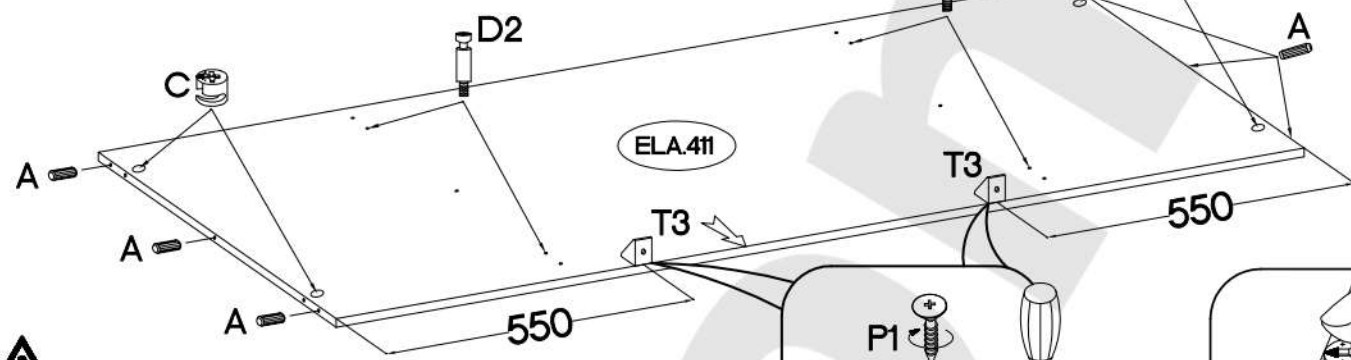
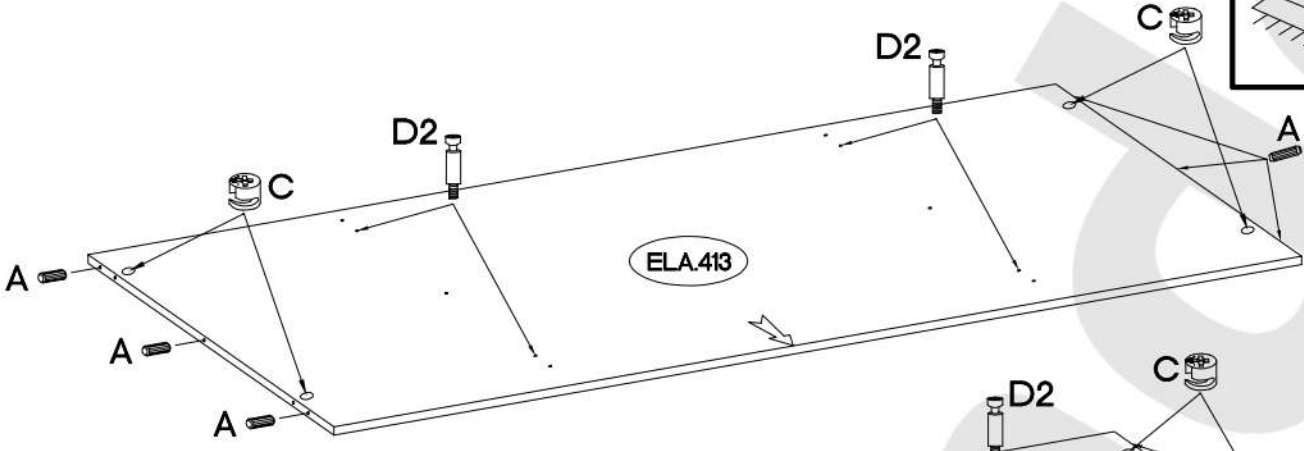
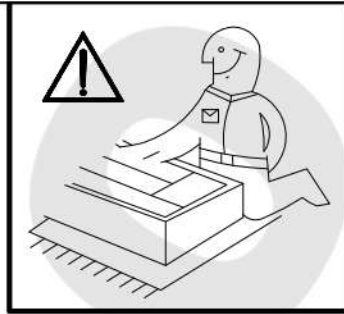




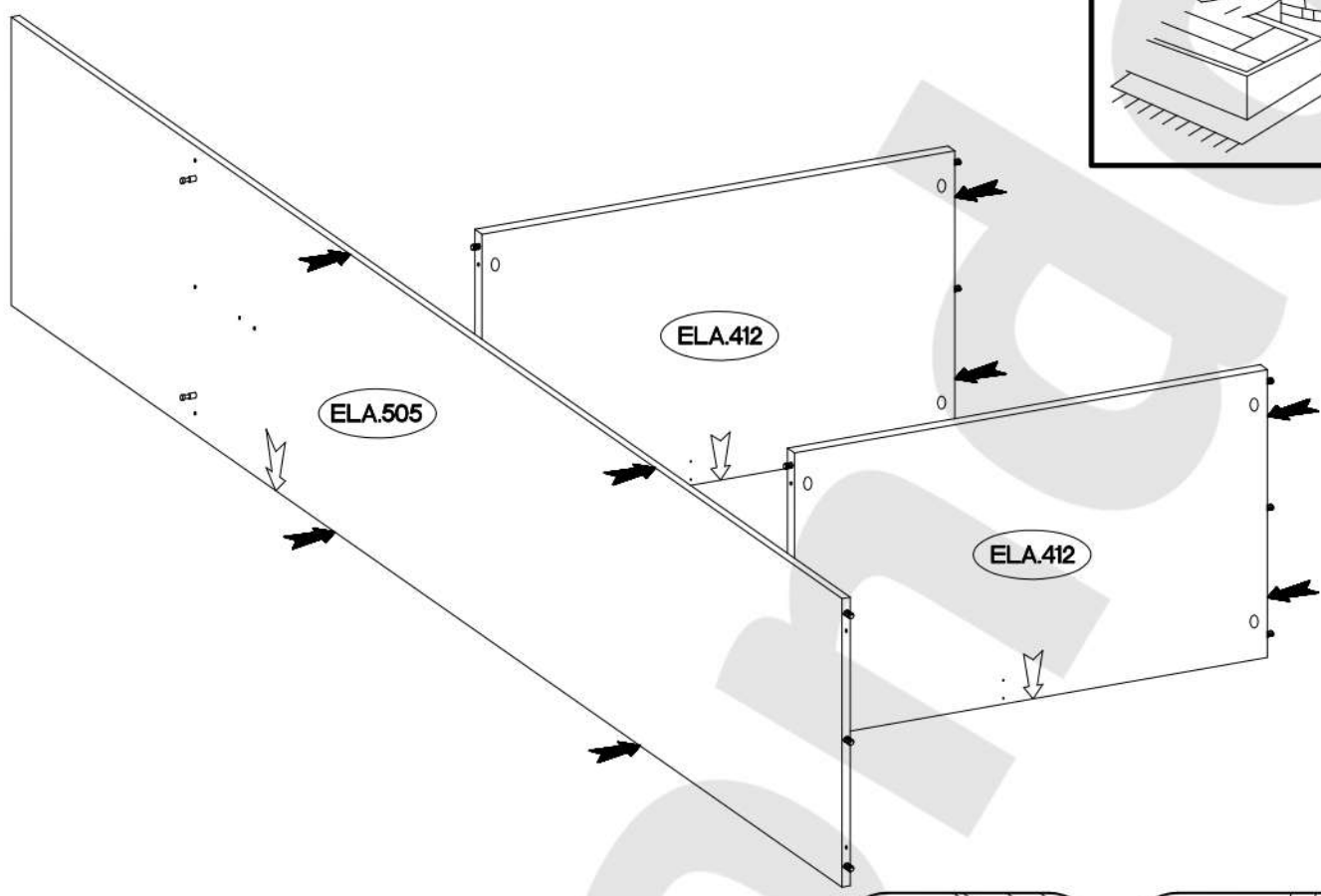
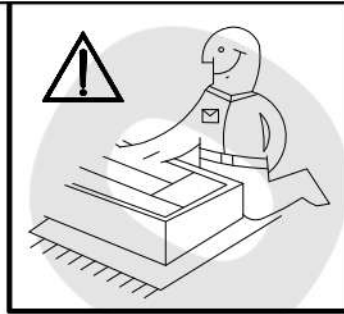
| | | | | |
|-------------------------|---------------------------|------------------------|------------------------|------------------------|
| L=450mm I15 2 | +6,3x13mm M2 12 | +8x30mm A 12 | +15/12mm C 8 | L=20mm D2 12 |
|-------------------------|---------------------------|------------------------|------------------------|------------------------|



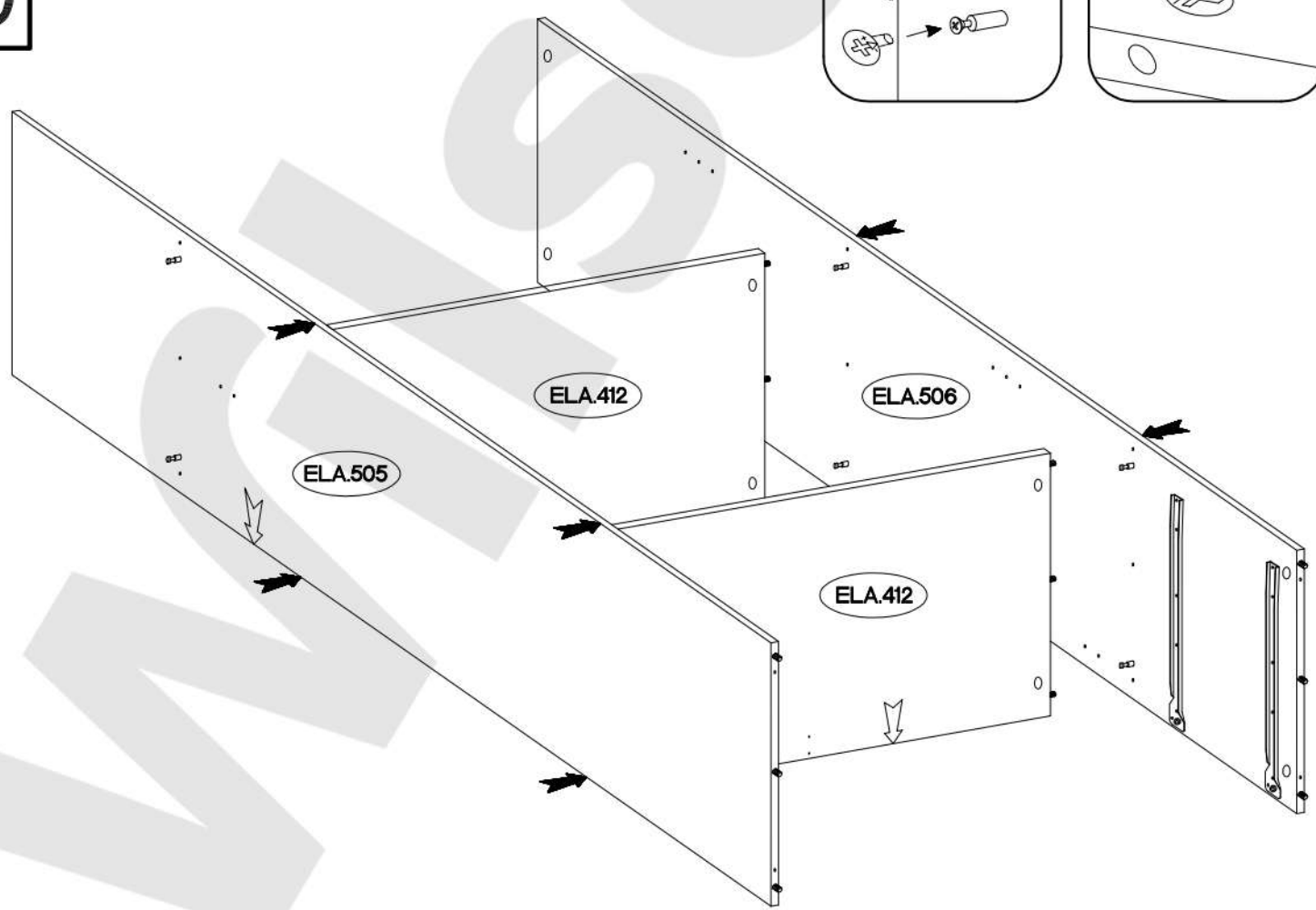
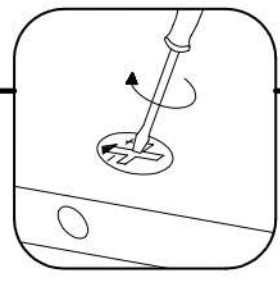
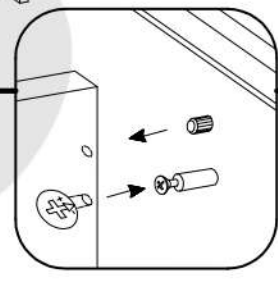
| | | | | | |
|--|---|---|---|--|--|
| $\varnothing 8 \times 30 \text{mm}$  A 24 | L=20mm  D2 8 | $\varnothing 15/12 \text{mm}$  C 8 |  T3 6 | $\varnothing 4.0 \times 16 \text{mm}$  P1 6 | $\varnothing 15 \times 5 \text{mm}$  F4 4 |
|--|---|---|---|--|--|



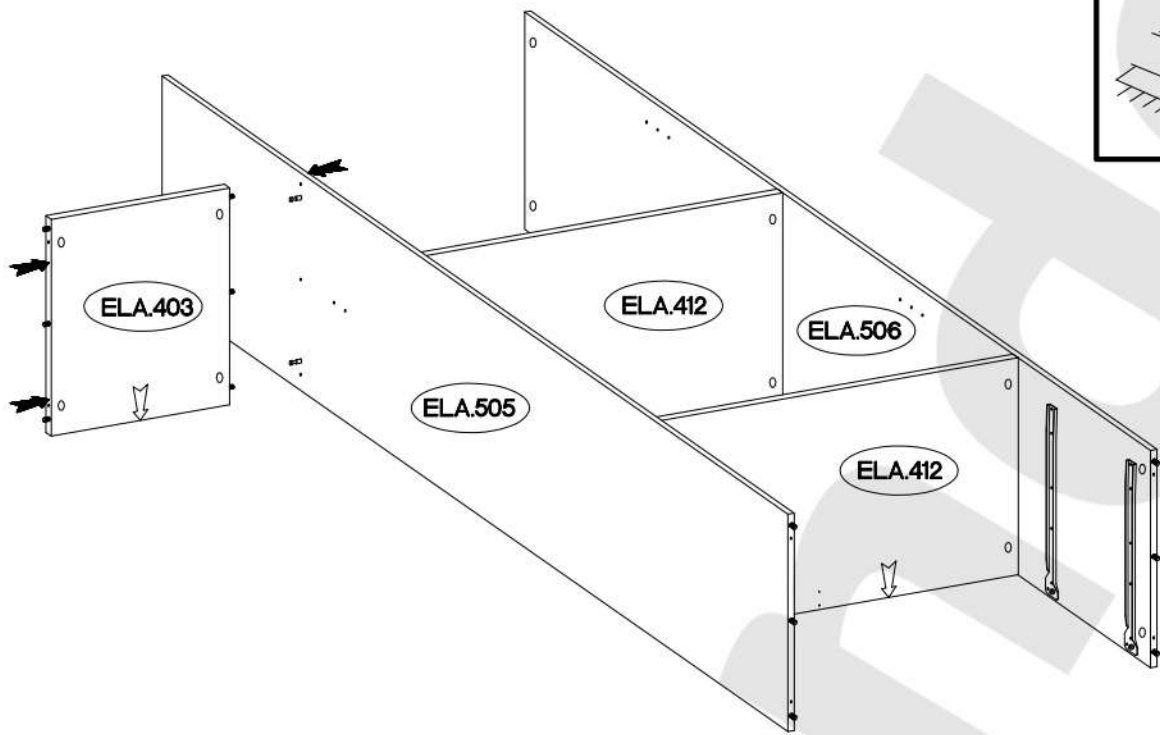
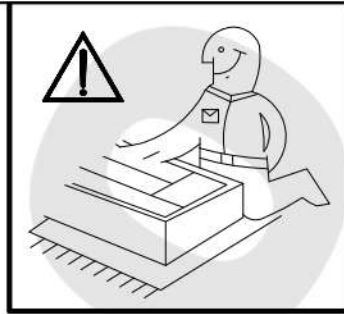
9



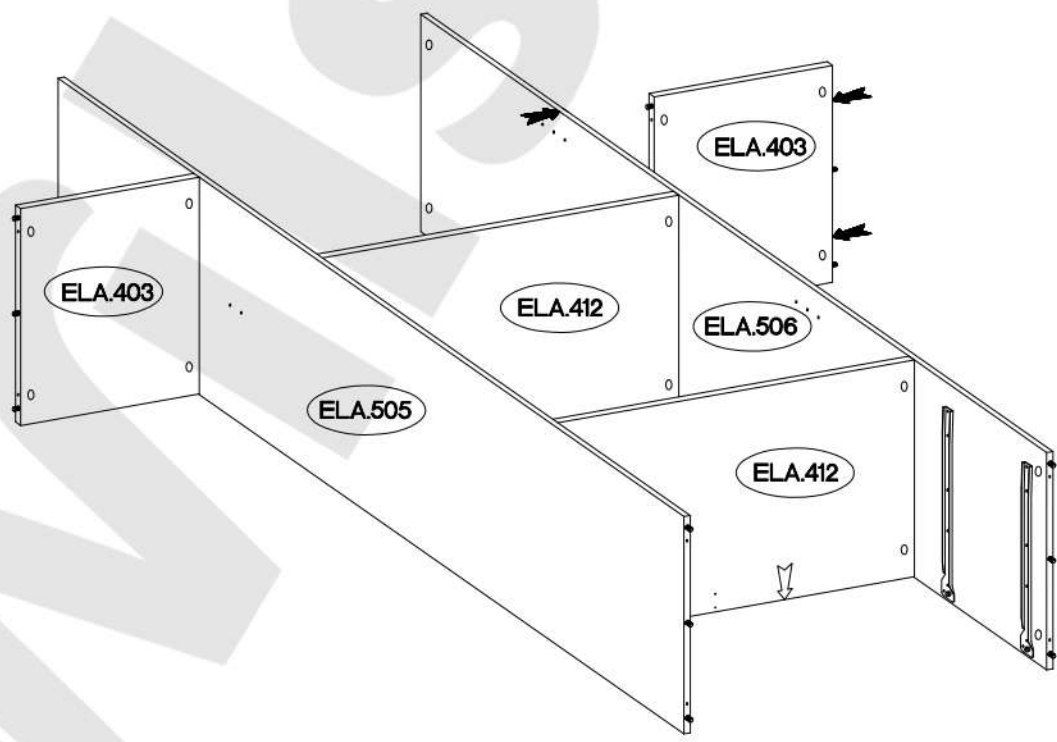
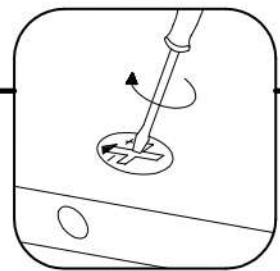
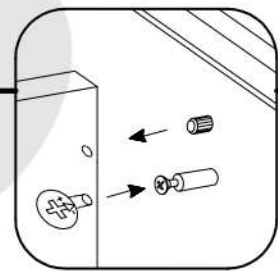
10



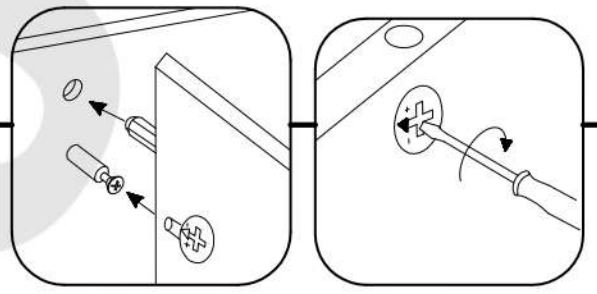
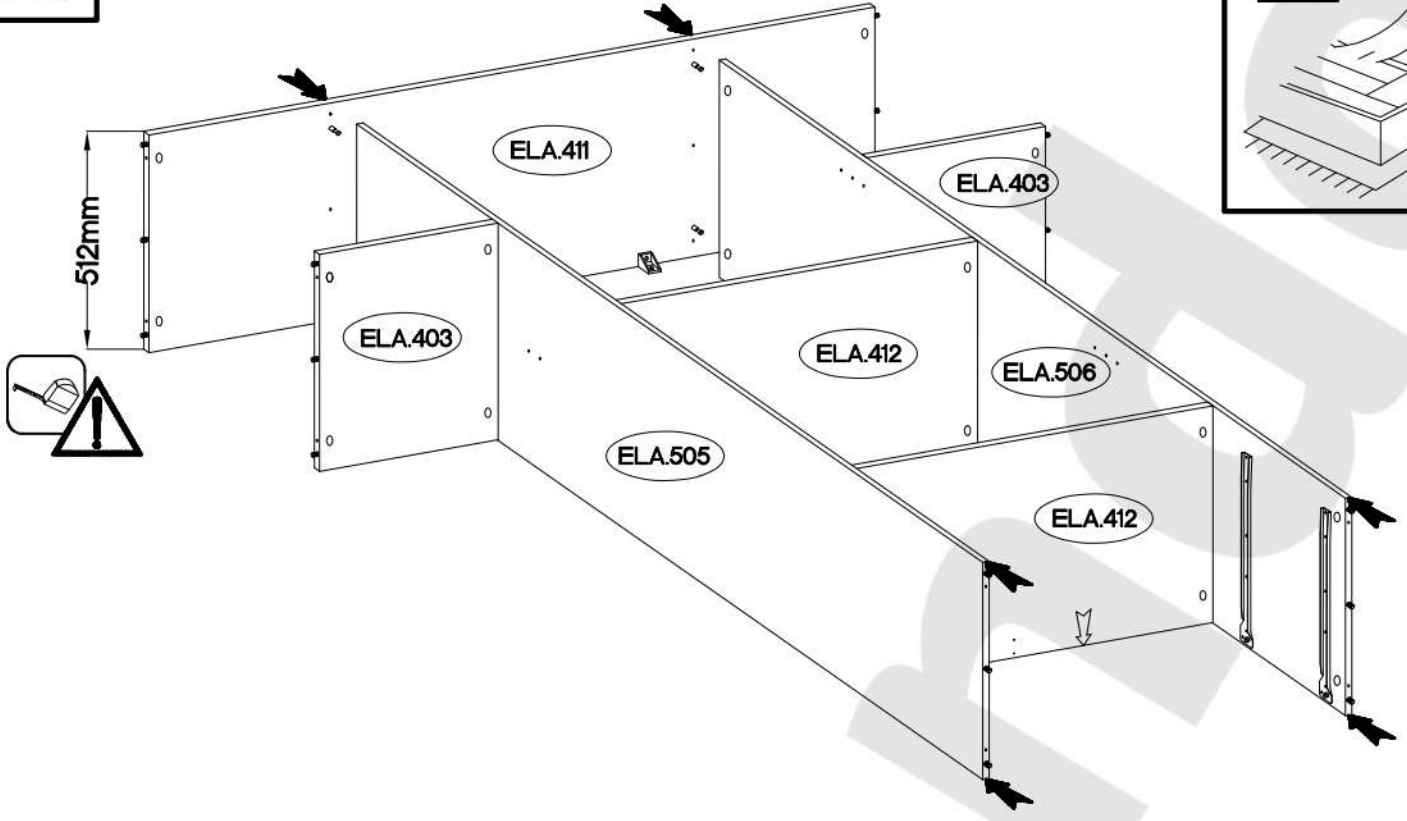
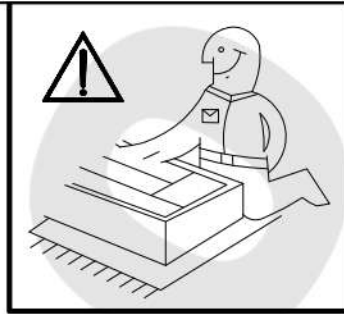
11



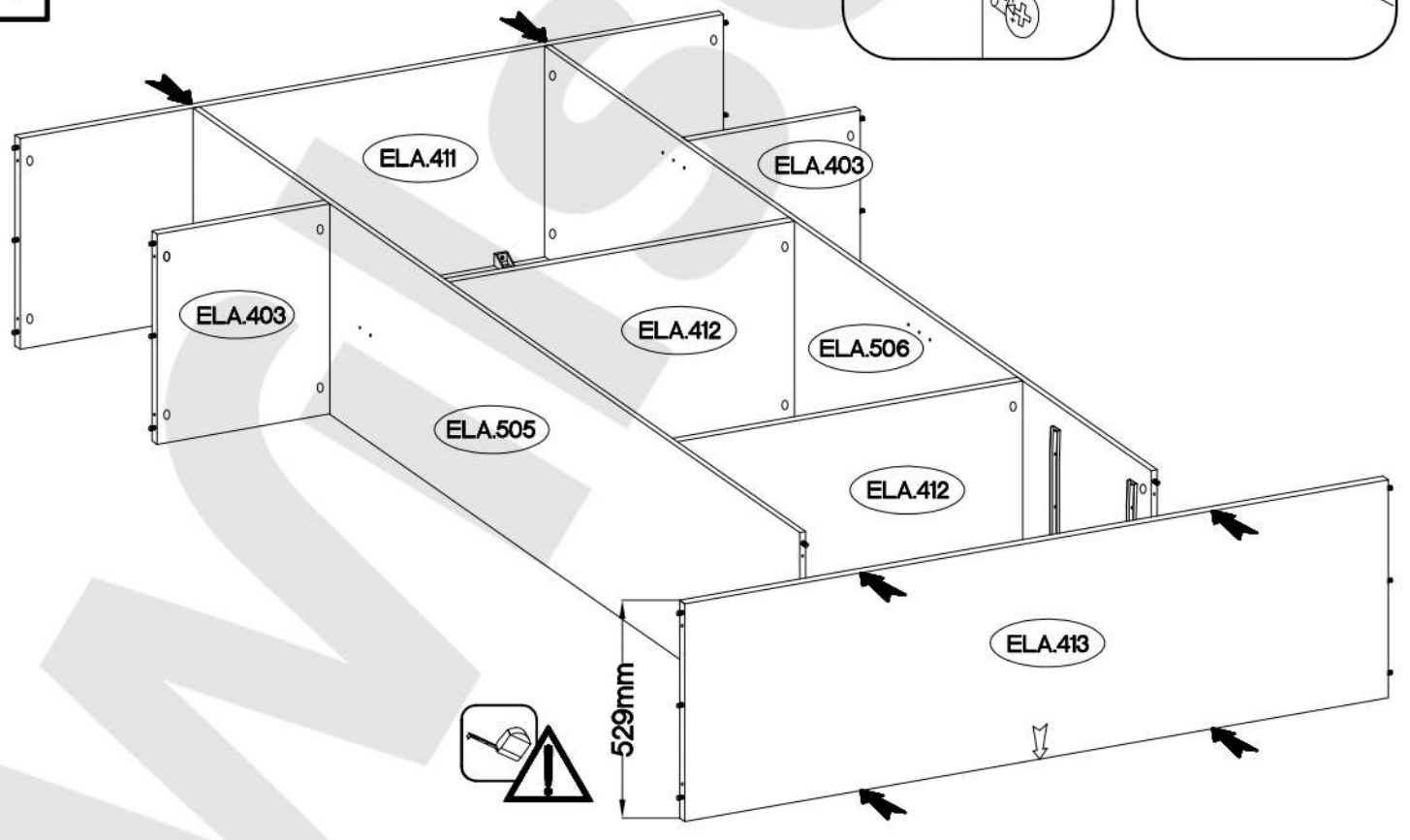
12



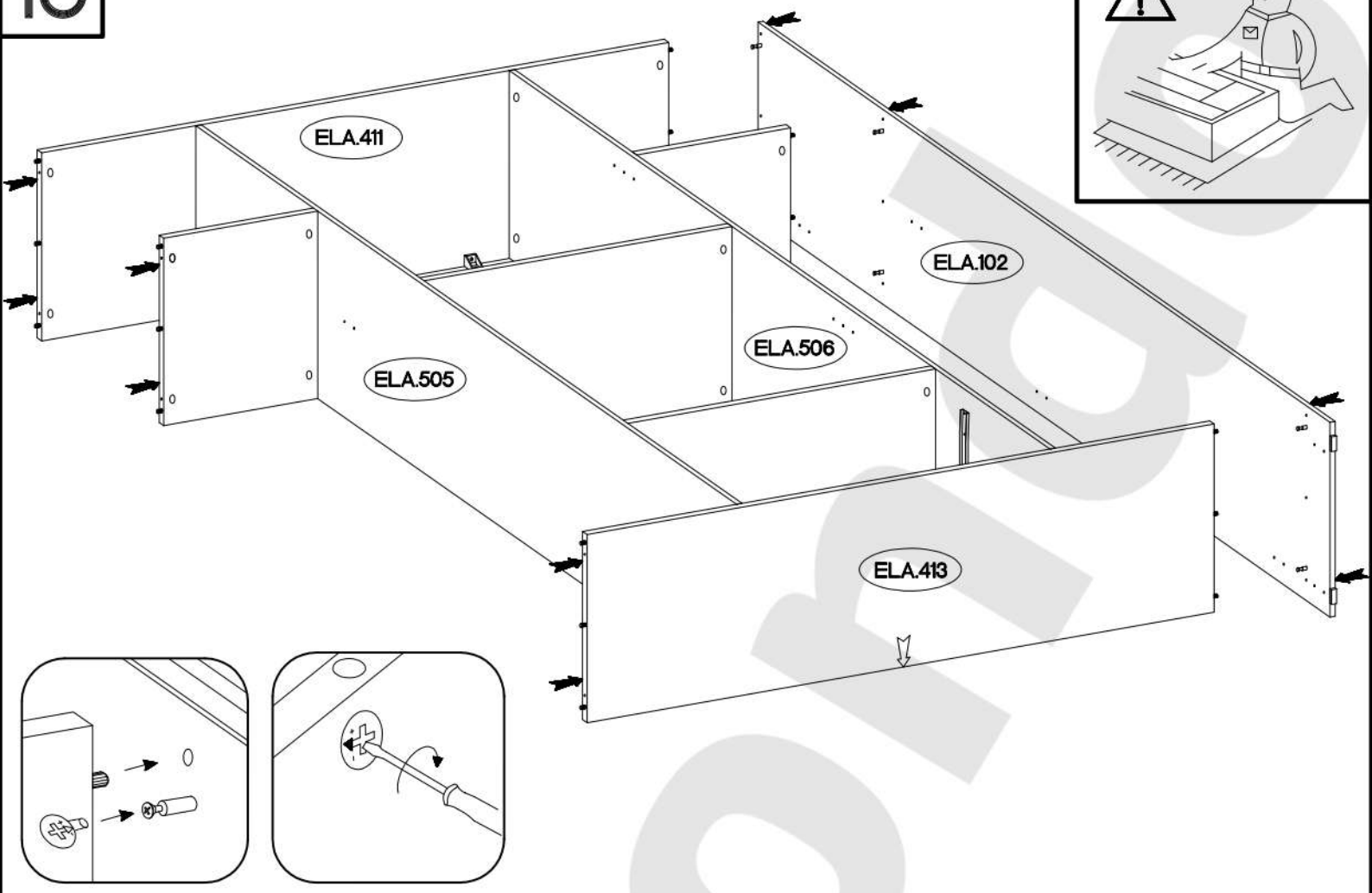
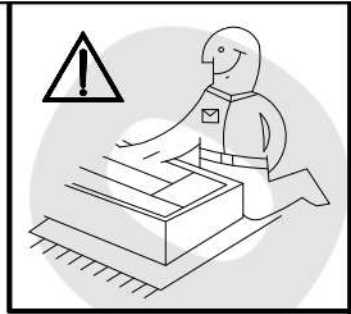
13



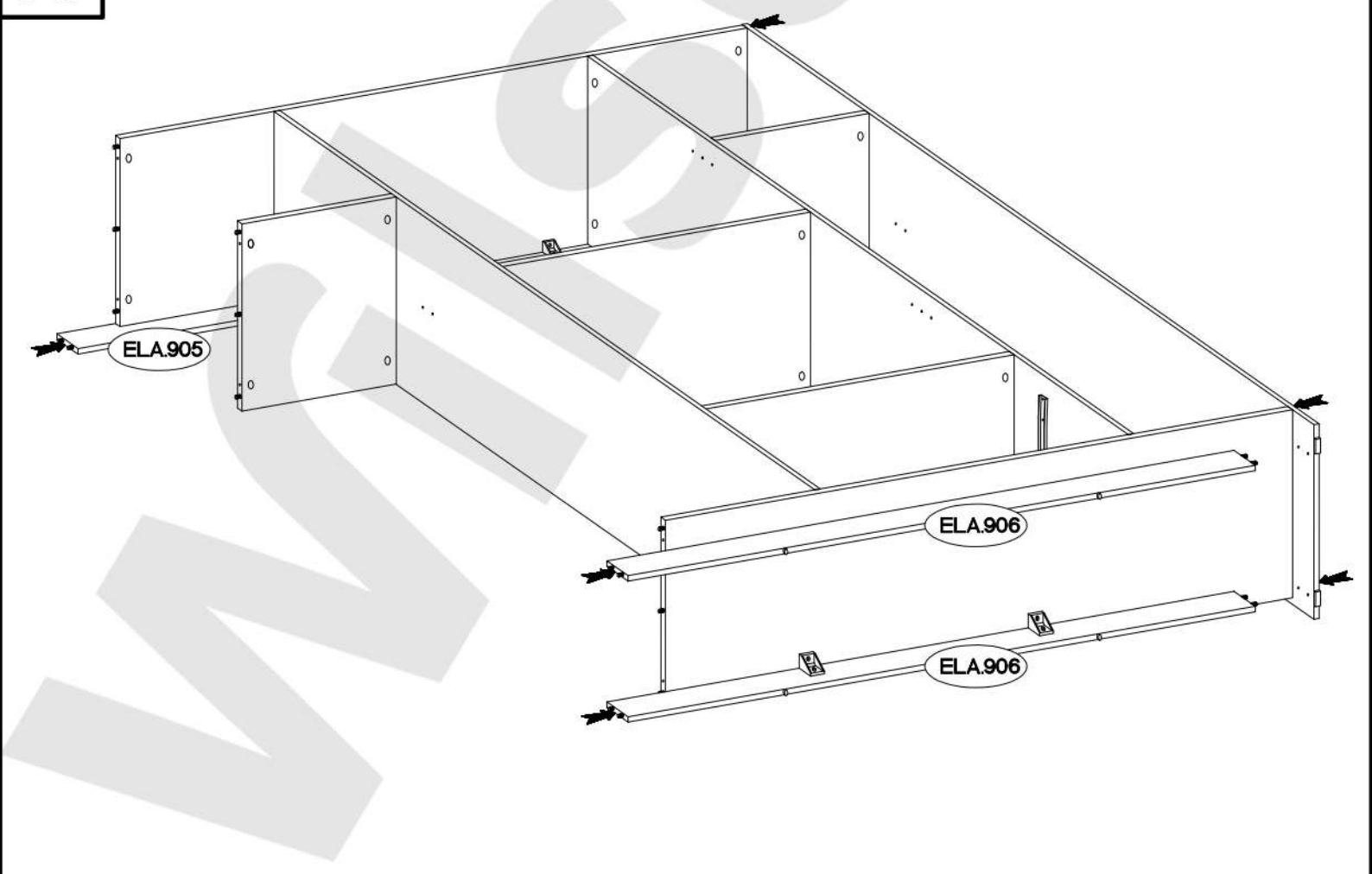
14



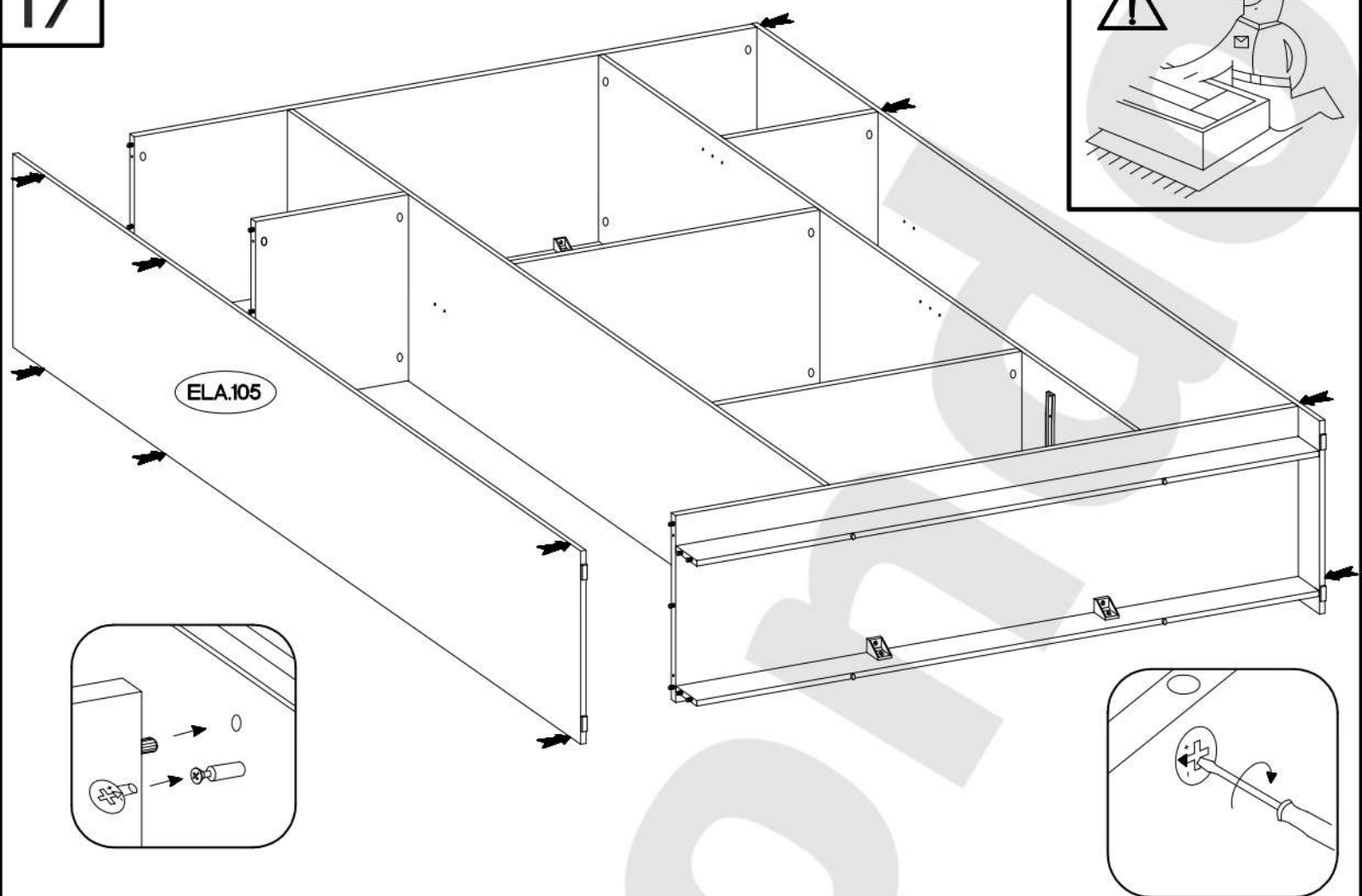
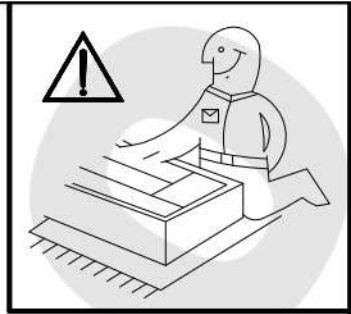
15



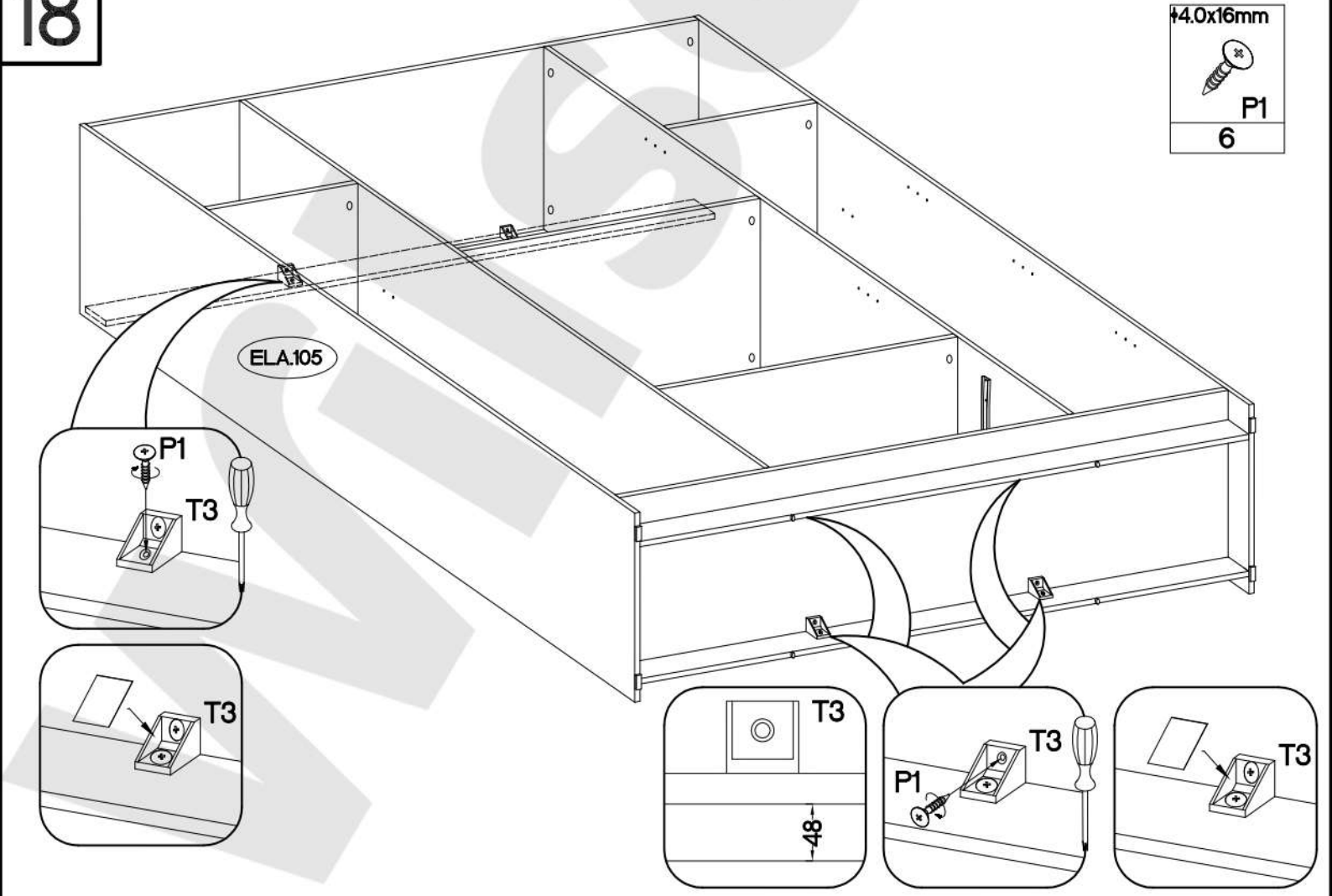
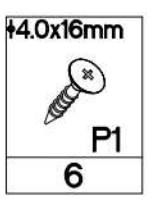
16





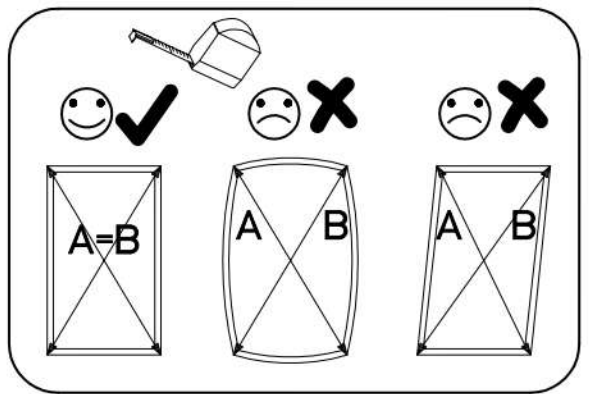
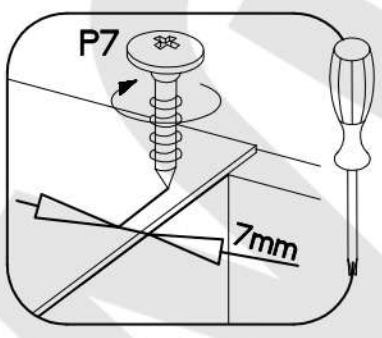
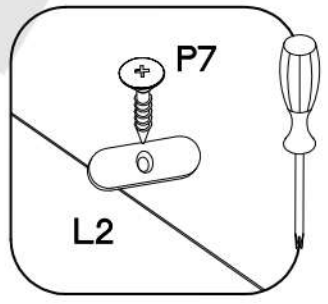
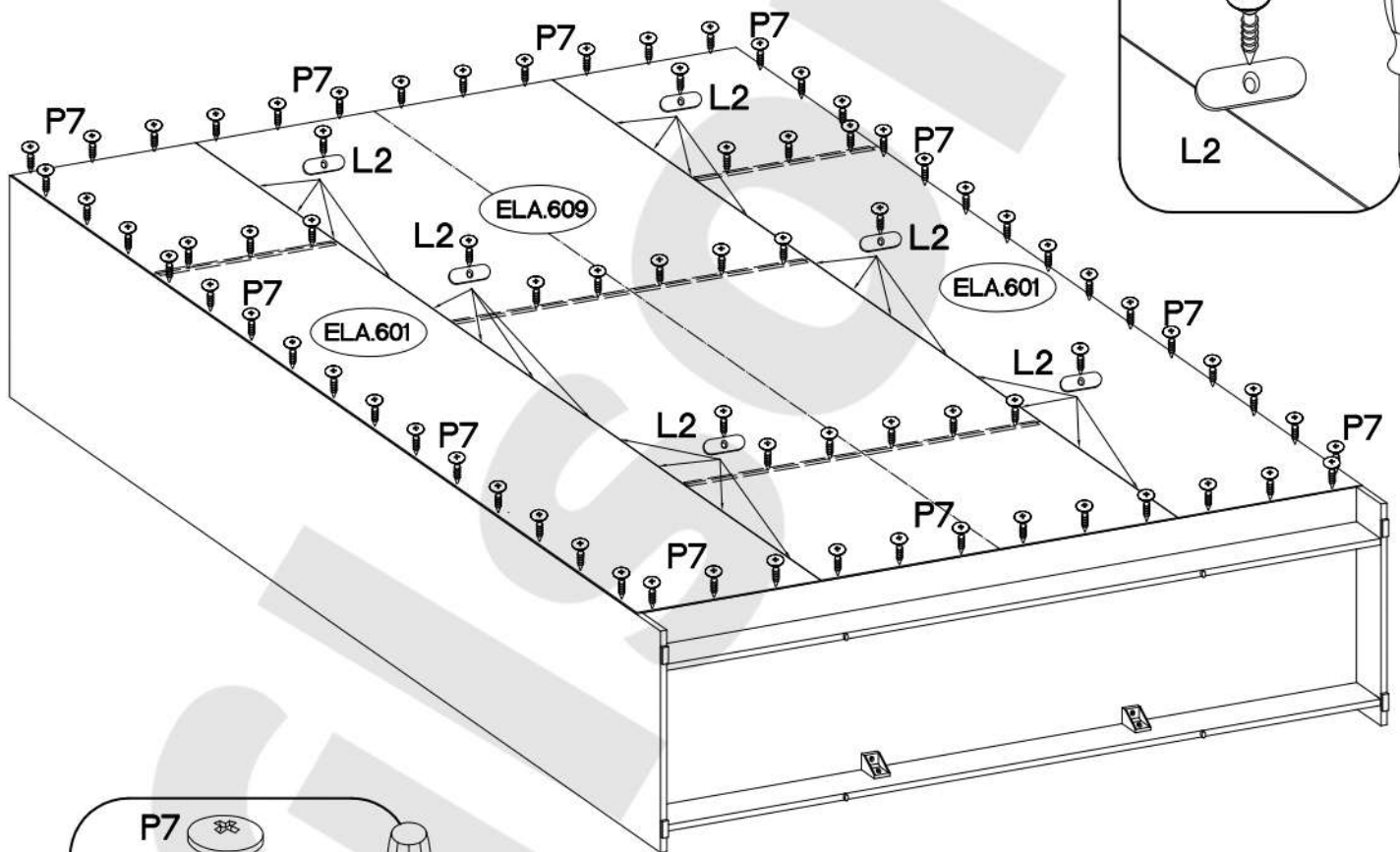
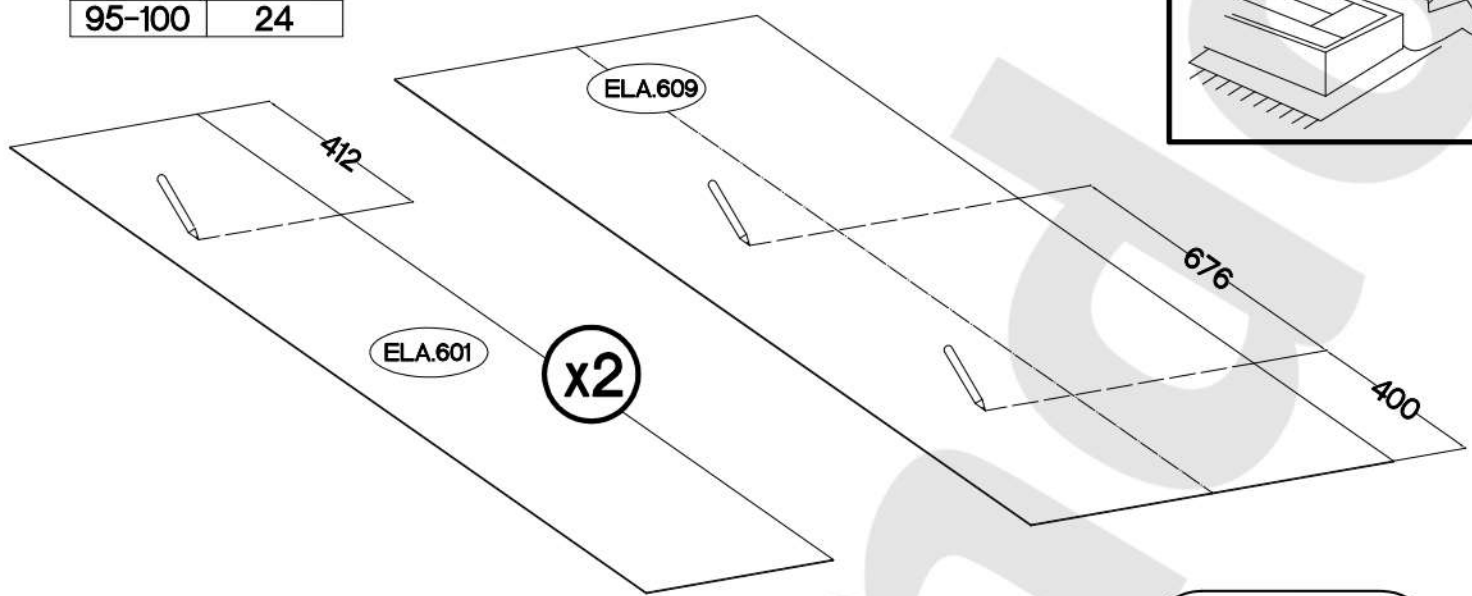
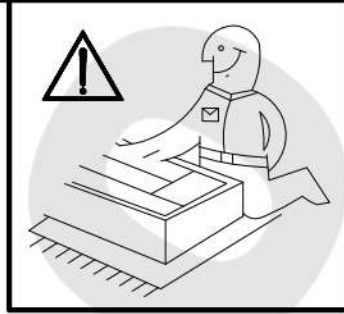
17

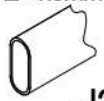





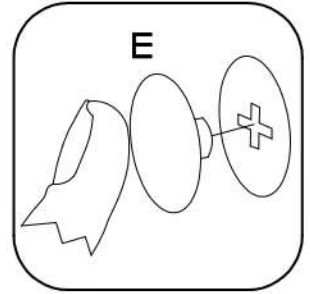
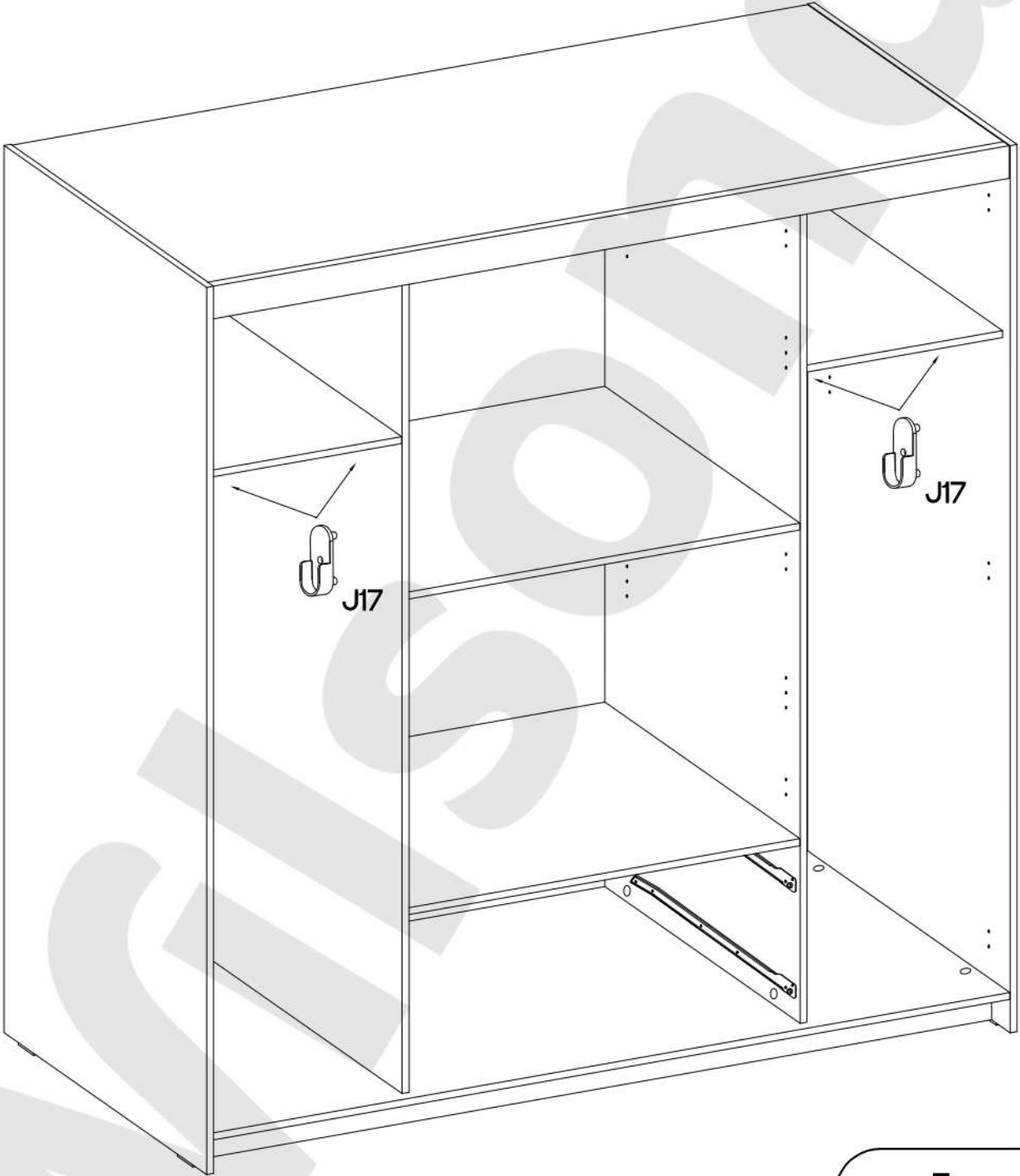
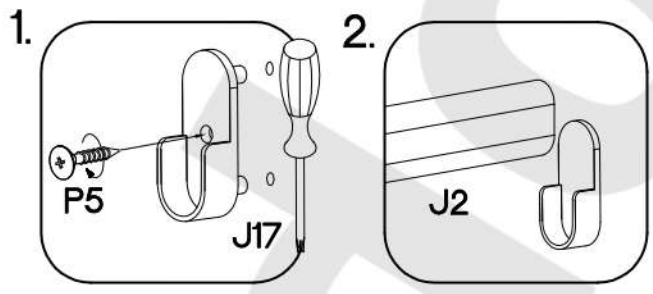
18

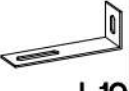





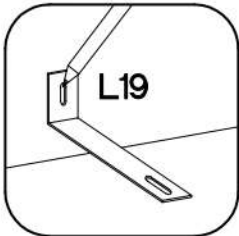
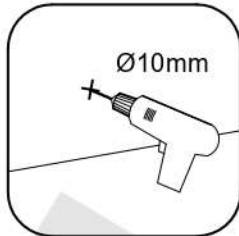

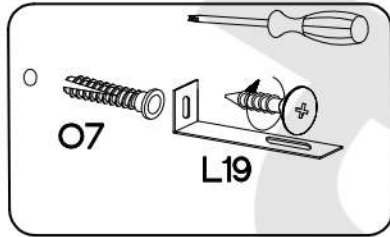
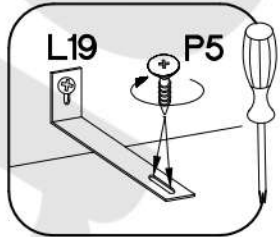
| | |
|---|--|
| $\pm 3.0 \times 20 \text{mm}$  P7 95-100 |  L2 24 |
|---|--|

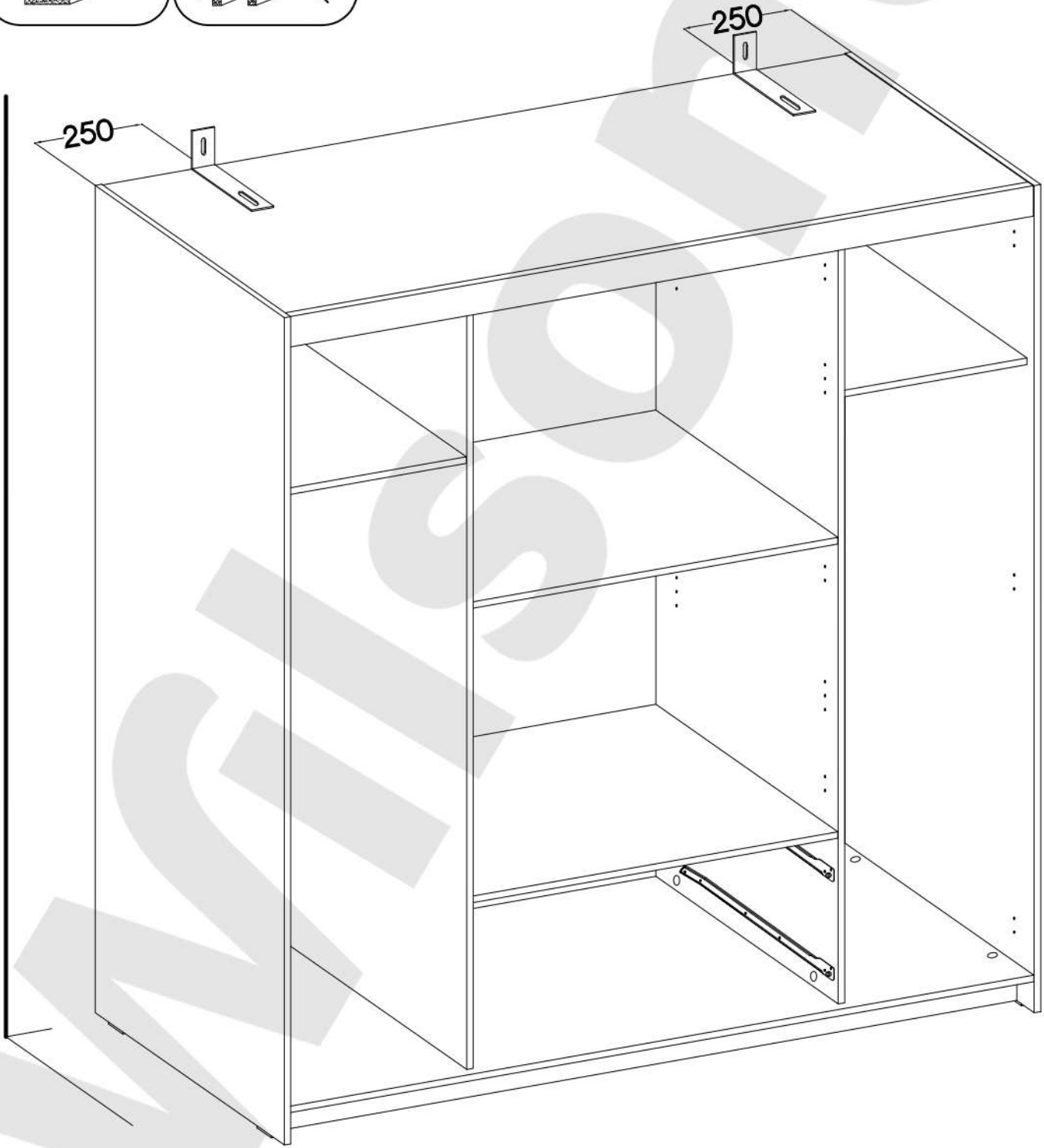
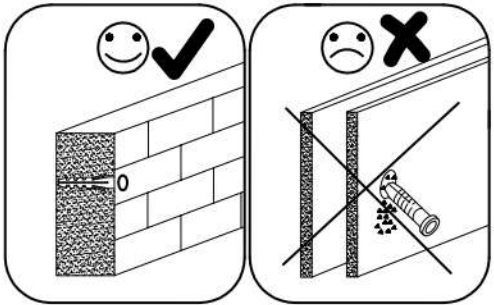



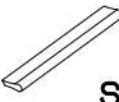

| | | | |
|--|--|--|---|
| L=418mm  J2 2 |  J17 4 | ∅3.5x13mm  P5 4 |  E 28 |
|--|--|--|---|

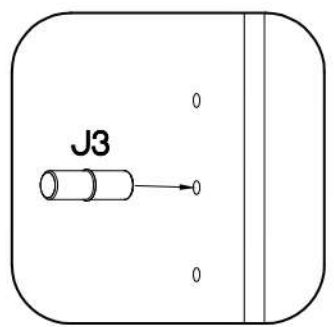
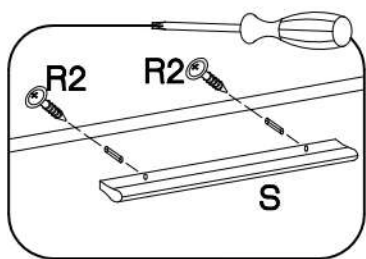
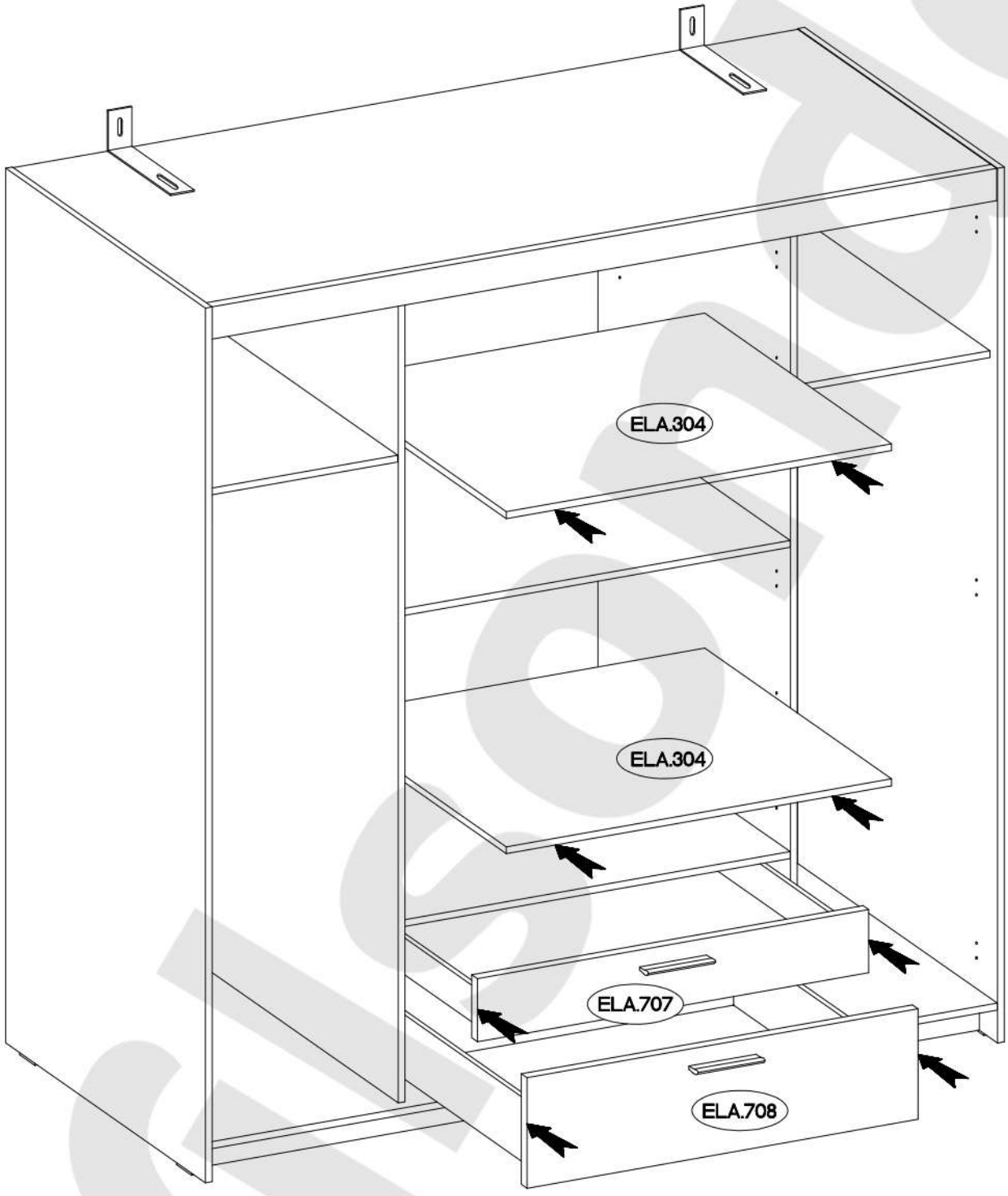


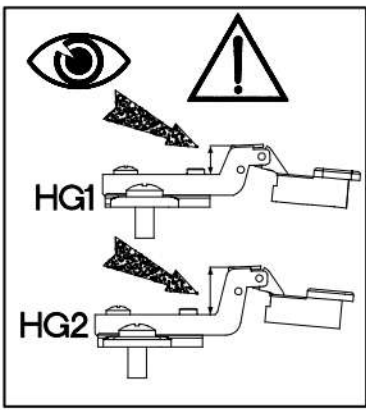
| | 3.5x13mm | 5.0x60mm | 10x50mm |
|--|---|---|---|
|  |  |  |  |
| L19 | P5 | P12 | O7 |
| 2 | 4 | 2 | 2 |

- 
- 
- 
- 
- 

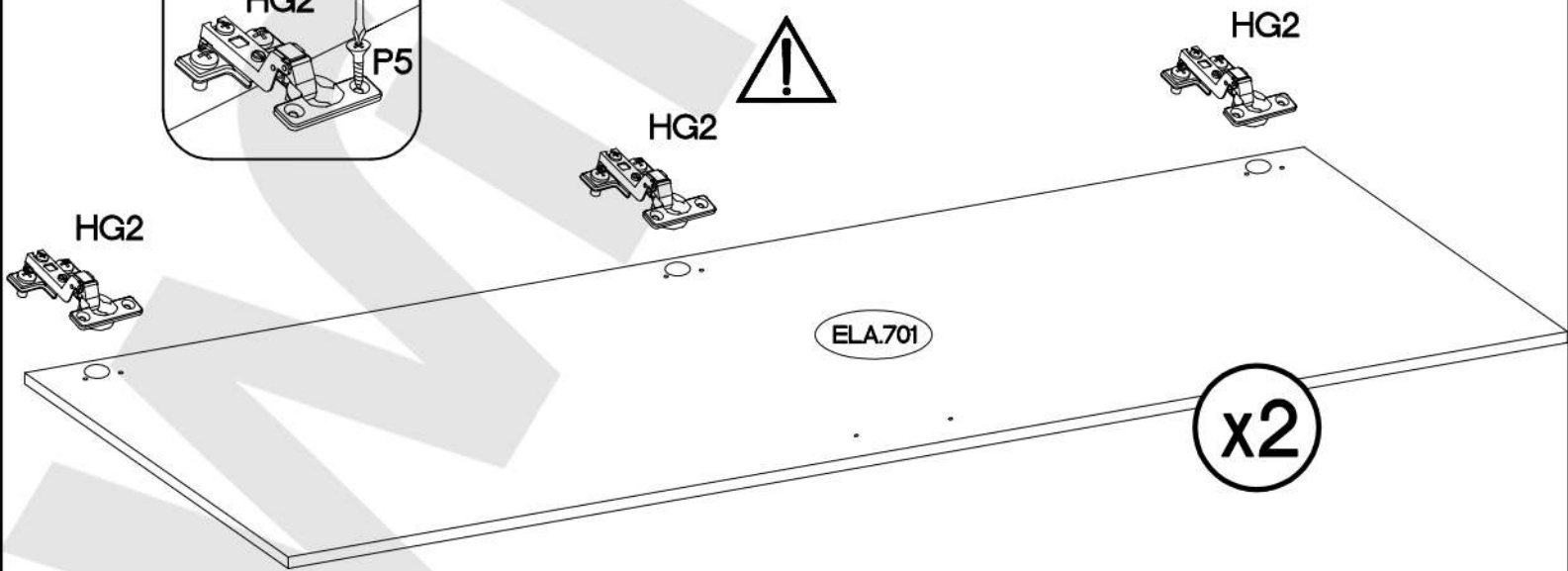
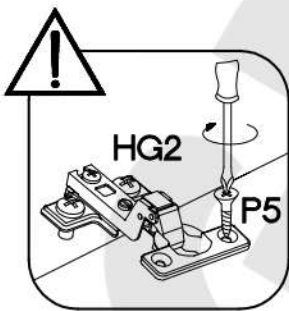
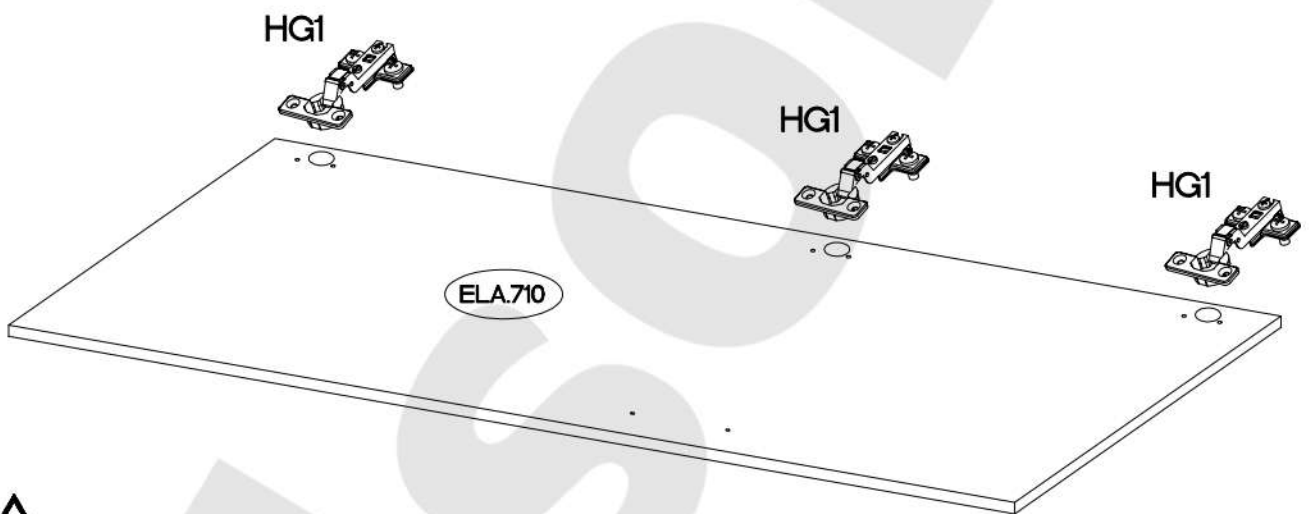
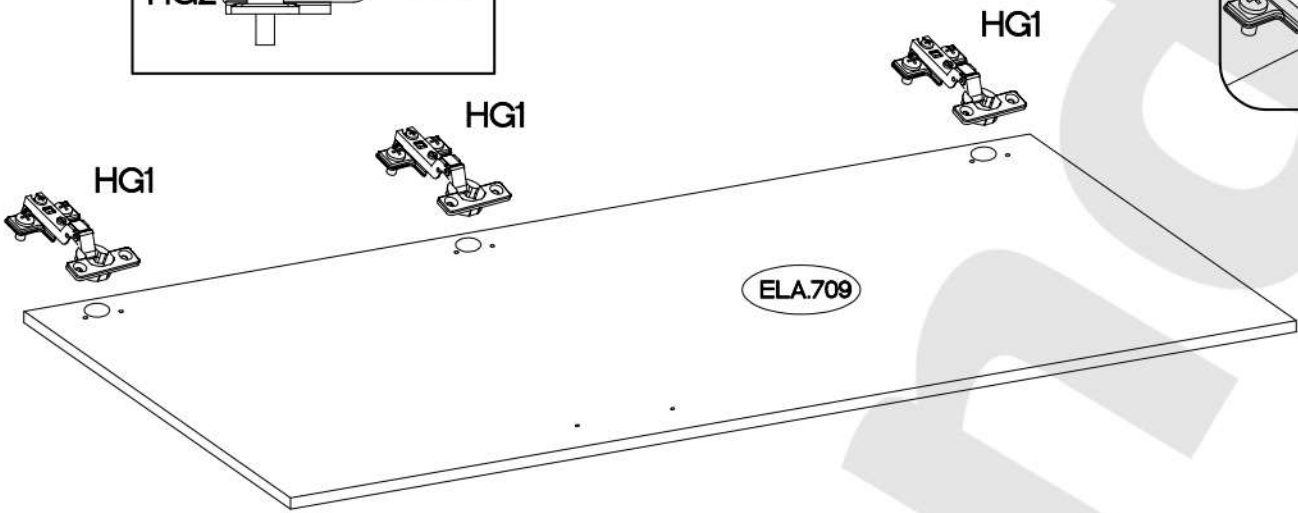
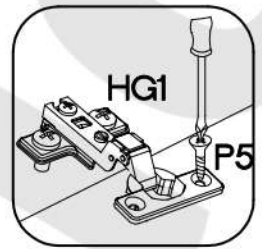


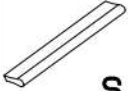

| | | |
|--|---|---|
| $\pm 5/16$ mm  J3 8 | L=128mm  S 2 | $\pm 4.0 \times 30$ mm  R2 4 |
|--|---|---|





| ±35/9mm H-0 | ±35/16mm | ±3.5x13mm |
|----------------|----------|-----------|
| HG1 | HG2 | P5 |
| 6 | 6 | 24 |



| | |
|--|--|
| L=128mm | 4.0x30mm |
|  |  |
| S | R2 |
| 4 | 8 |

