




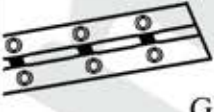
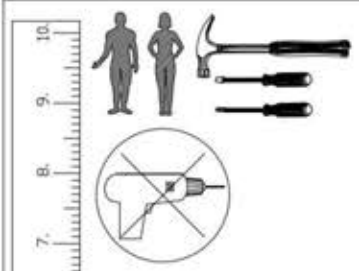
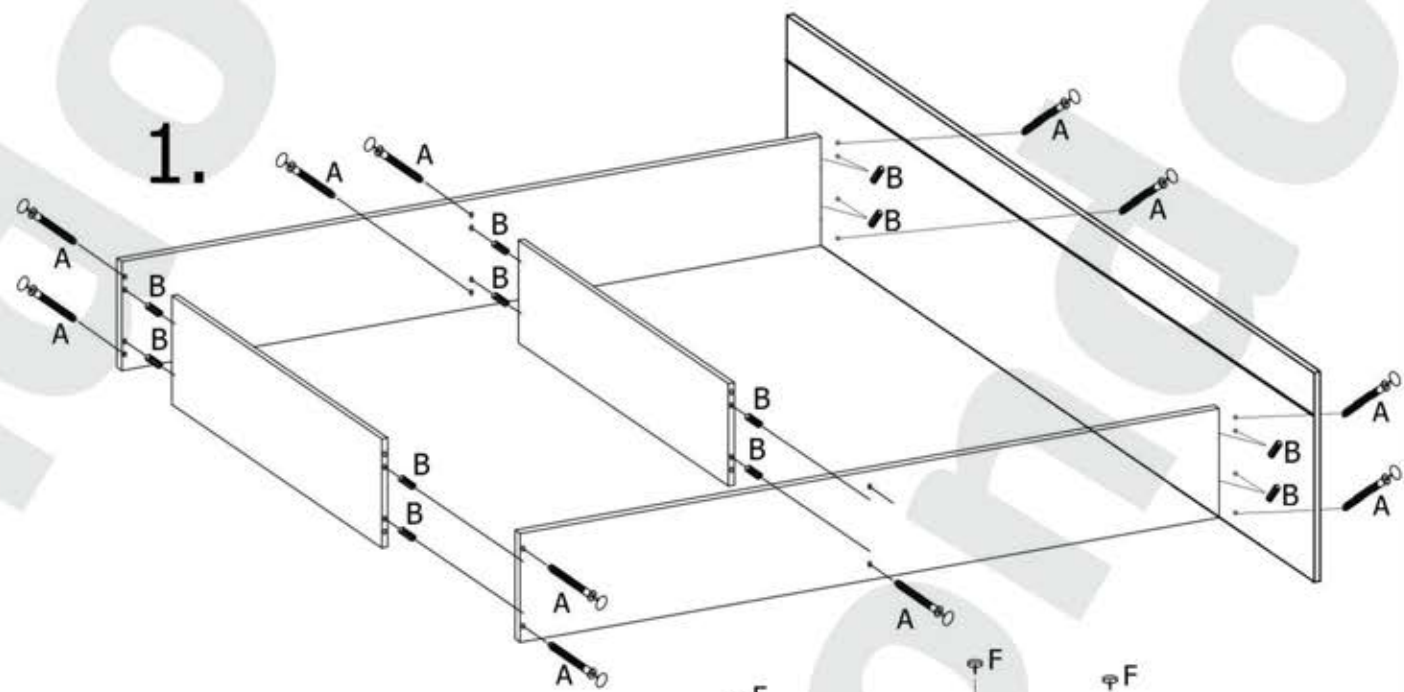
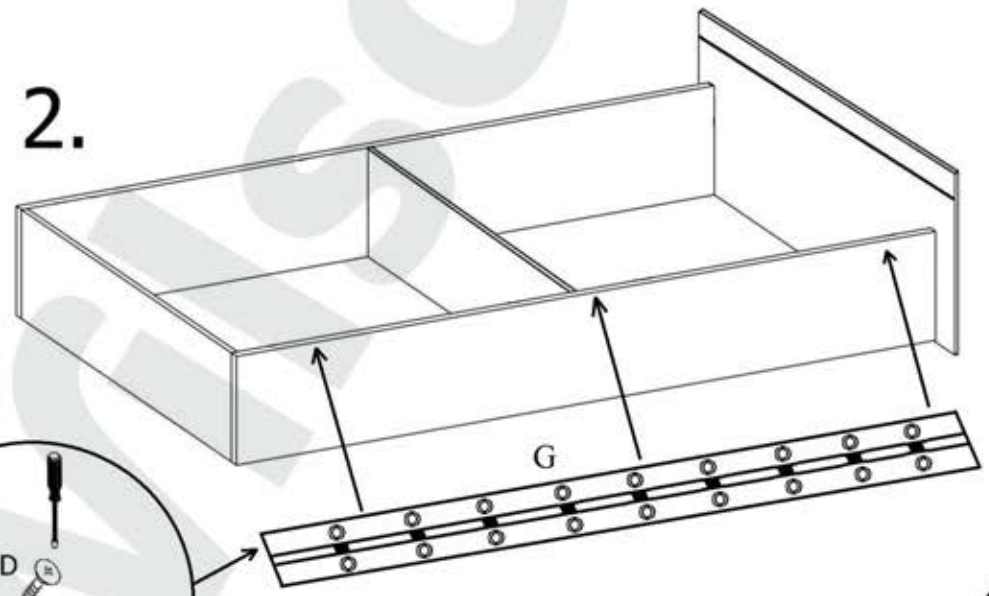
 A	 B
12	12
 C	 D
1	16
 E	 F
60	10
 G	

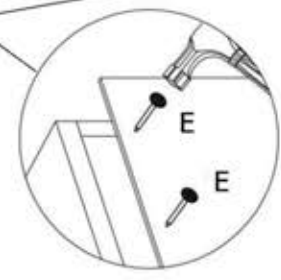
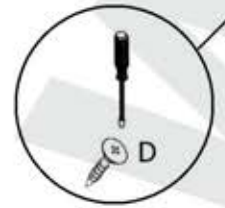
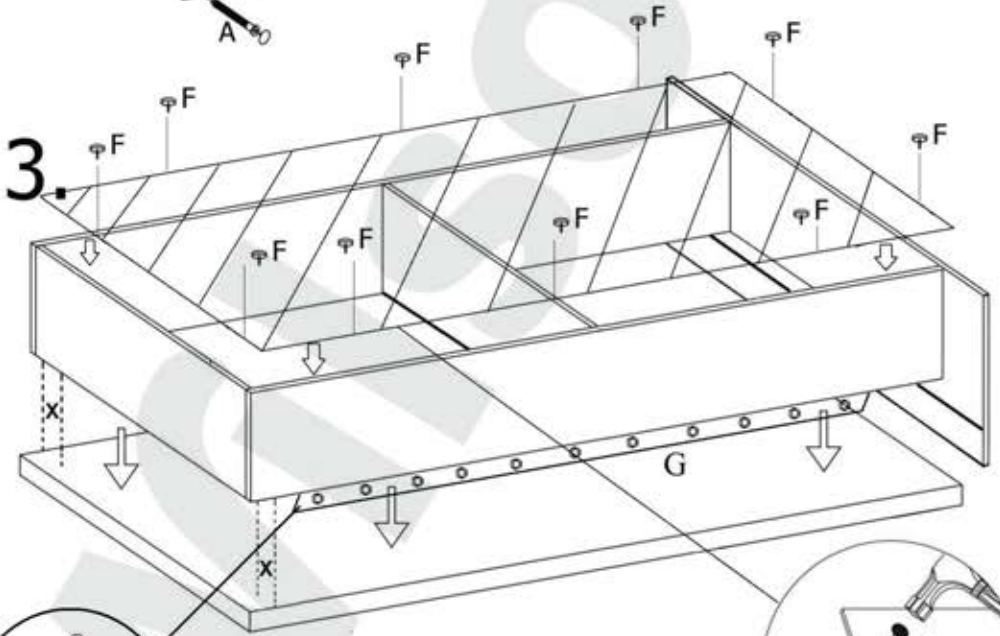
1.



2.



3.



X=X