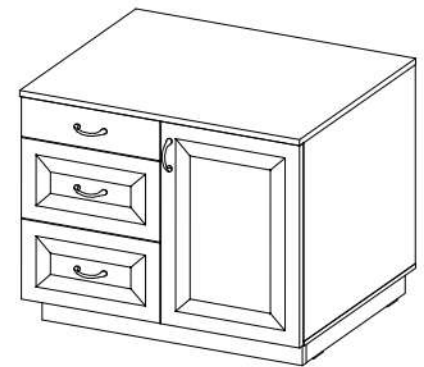
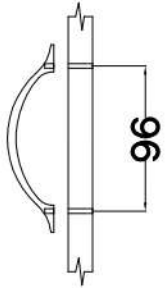
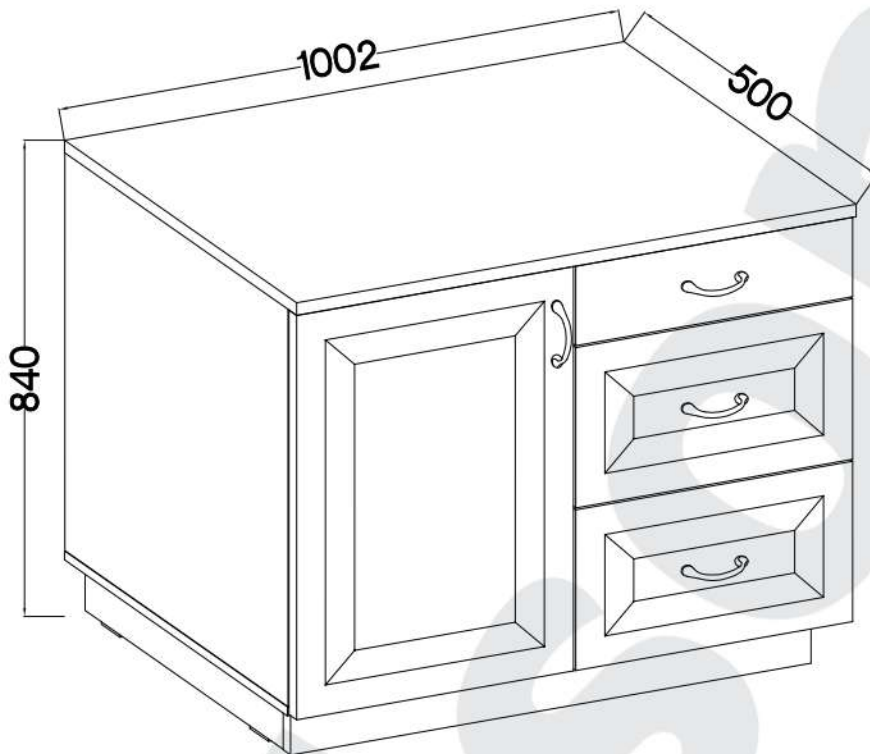
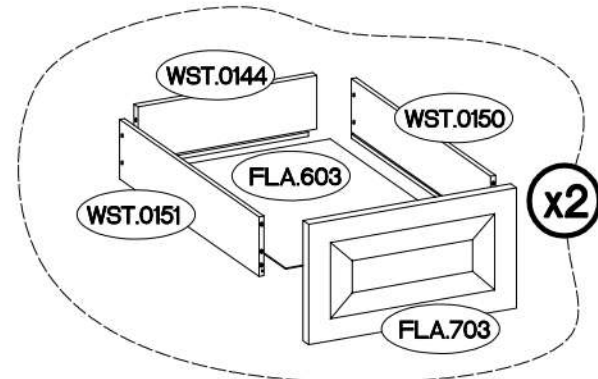
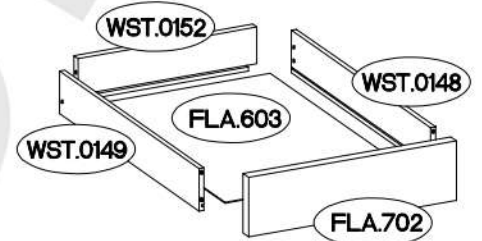
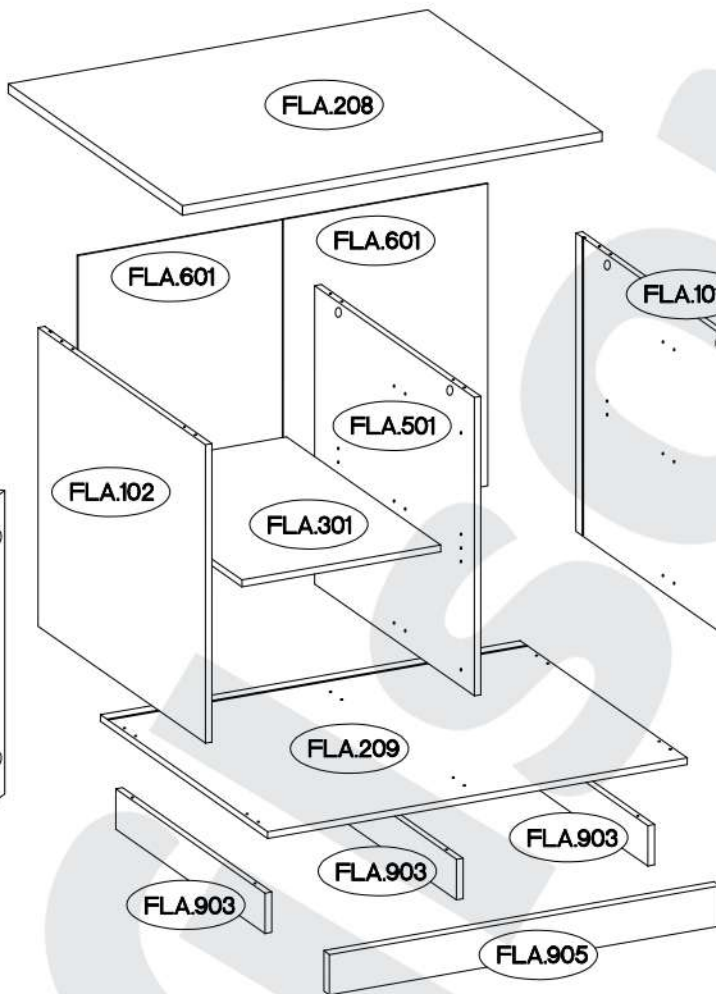
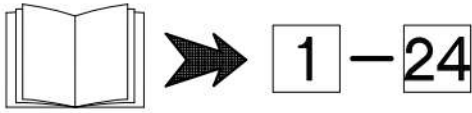
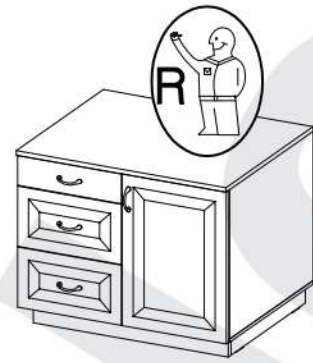


TYP 830



 A 30	 B 6	 B2 10	 C 6	 C5 6	 D2 12	 E 6	 E1 4	 F4 1	 F22 6	 HG 2
 L=400mm L 3	 R I9 3	 J3 4	 J14 9	 L 14	 L2 4	 L9 1	 M2 9	 M3 9	 O 1	 O1 1
 O7 1	 P1 10	 P5 5	 P7 10	 S 4	 T3 5	 U 8				

ISM-FLA-05



FLA.603






FLA.301

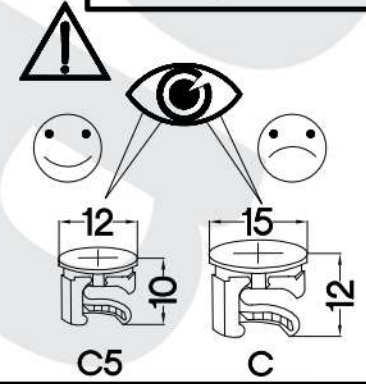
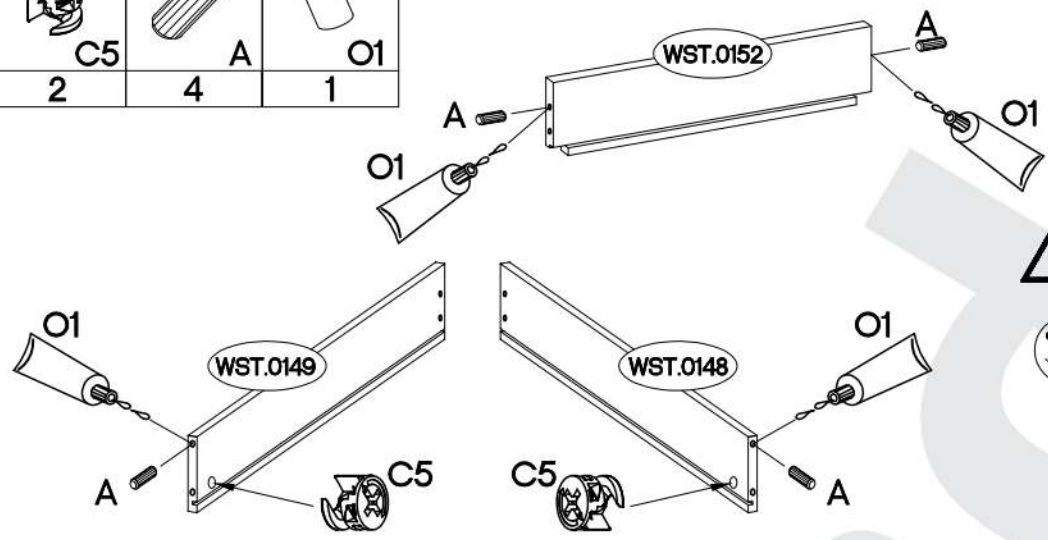
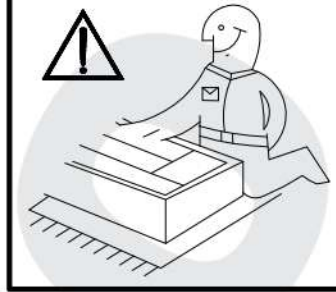
Colli	Ersatzteil Nummer	Dimension
Colli 1/2	FLA.101	702x480x16
	FLA.102	702x480x16
	FLA.208	1002x500x22
	FLA.209	1002x480x16
	FLA.301	475x443x16
	FLA.501	702x458x16
	FLA.601 x2	711x488x2.5
	FLA.603 x3	396x437x2.5
	FLA.903x3	428x95x16
	FLA.905	932x95x16

Colli	Ersatzteil Nummer	Dimension
Colli 1/2	WST.0148	400x100x12
	WST.0149	400x100x12
	WST.0150 x2	400x140x12
	WST.0151 x2	400x140x12
	WST.0152	427x100x12
	WST.0144 x2	427x140x12



Colli	Ersatzteil Nummer	Dimension
Colli 2/2	FLA.701	713x496x16
	FLA.702	140x496x16
	FLA.703 x2	283x496x16

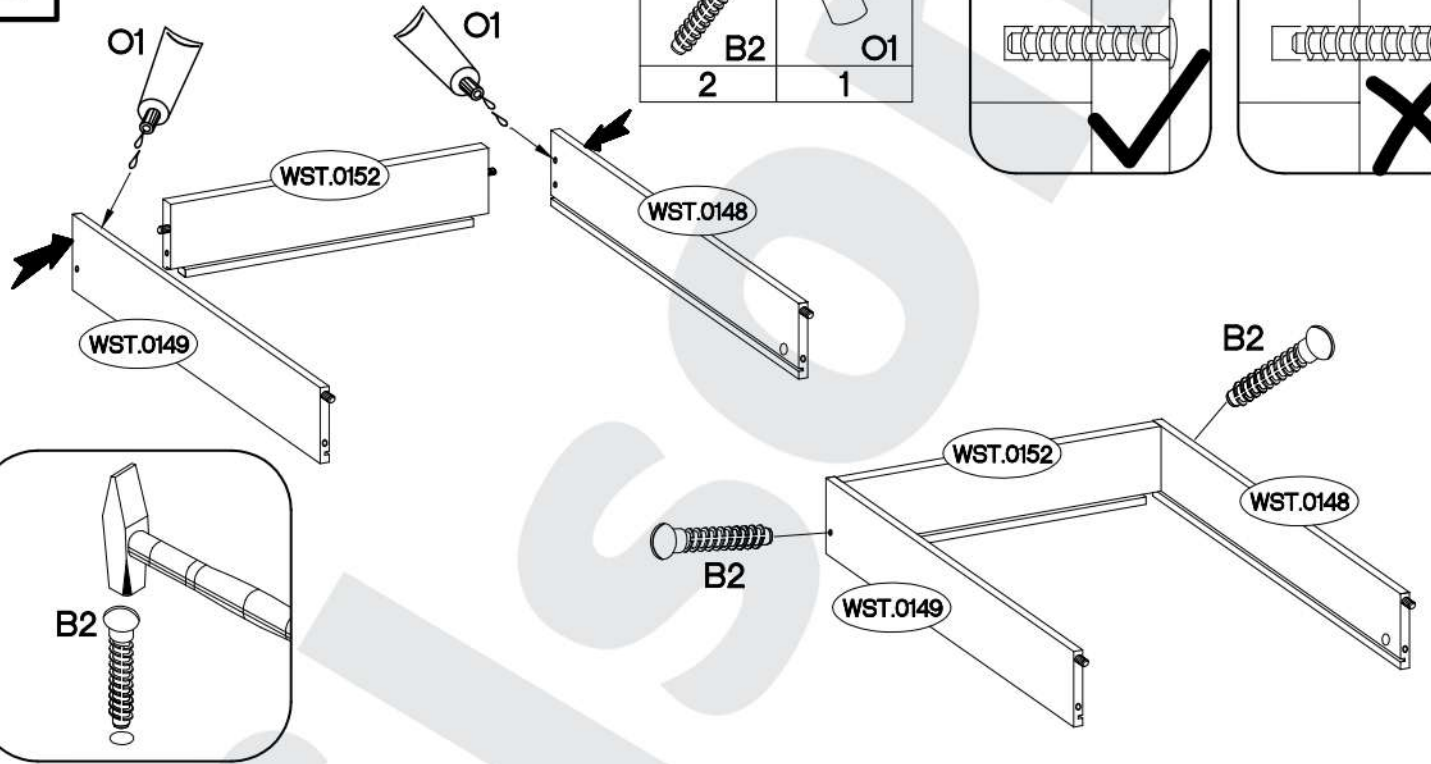
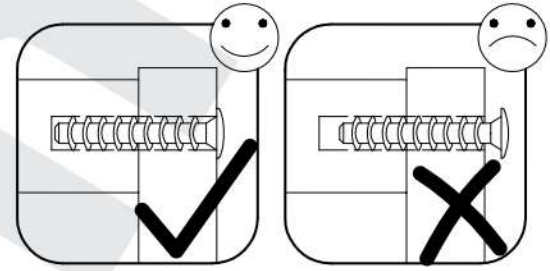
1

$\pm 2/10\text{mm}$  C5 2	$\pm 8 \times 30\text{mm}$  A 4	 O1 1
---	---	--



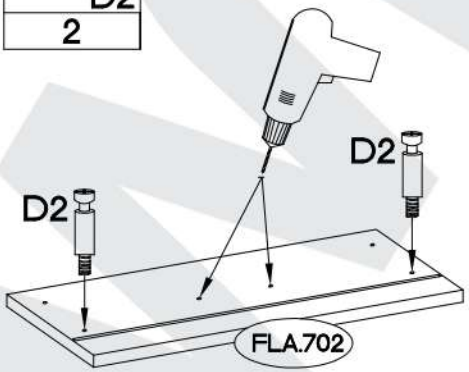
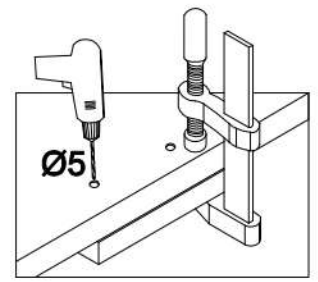
2

$\pm 6 \times 42\text{mm}$  B2 2	 O1 1
---	---

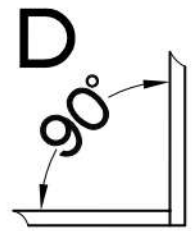
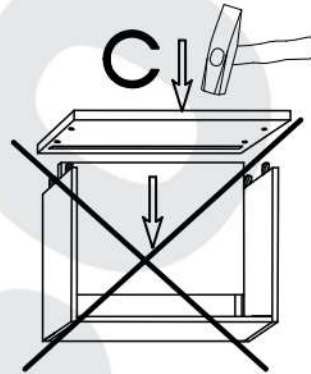
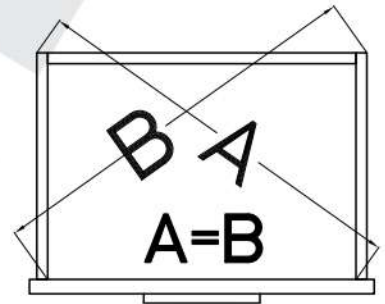
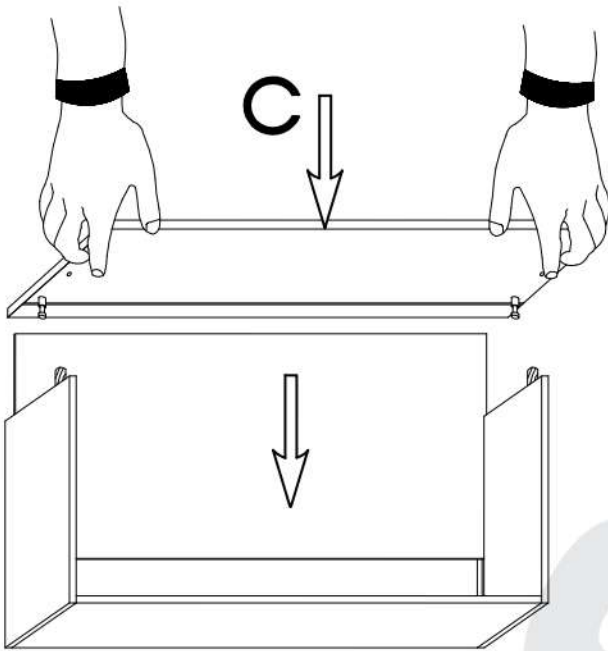
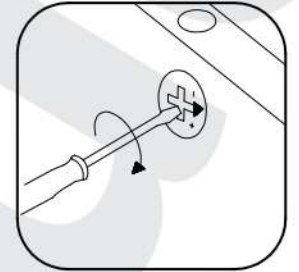
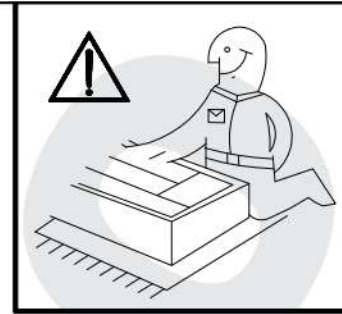
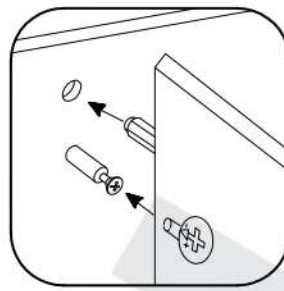
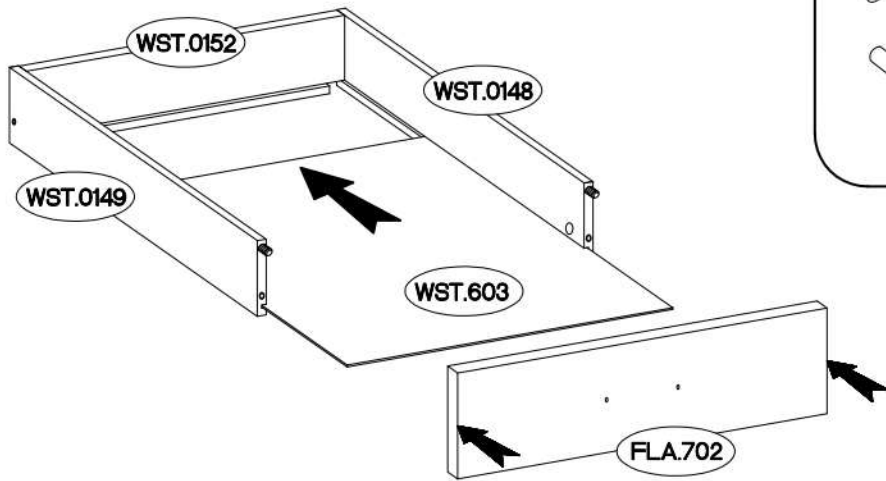


3

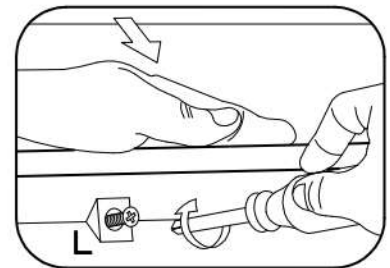
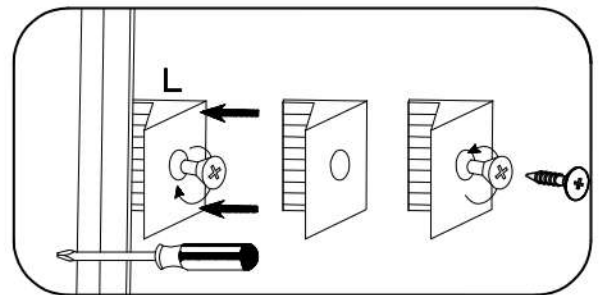
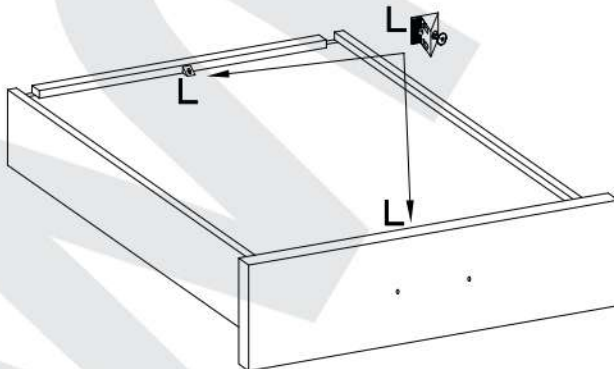
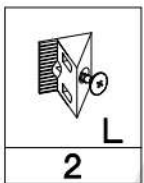
$L=20\text{mm}$  D2 2
--






4



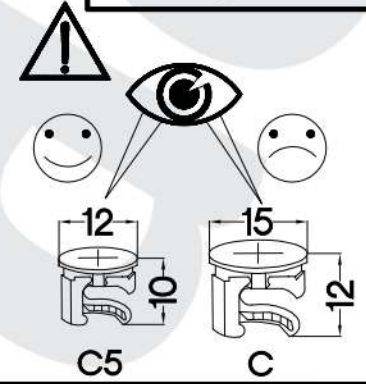
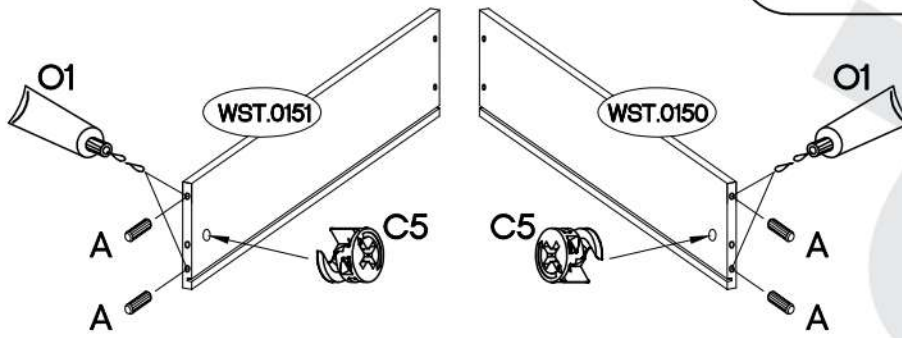
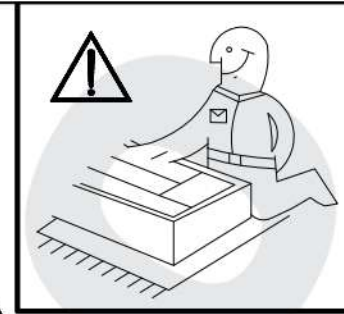
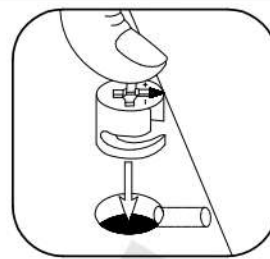
5



6

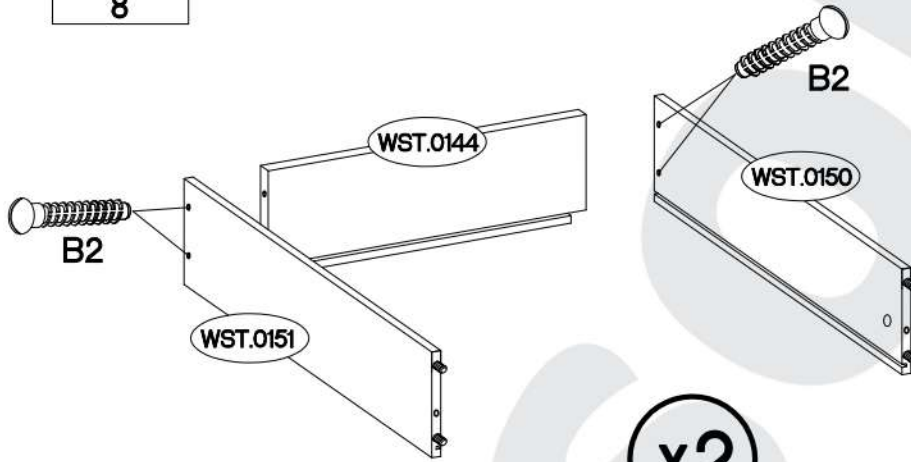
<p>±12/10mm</p>  <p>C5</p> <p>4</p>	<p>±8x30mm</p>  <p>A</p> <p>8</p>	 <p>O1</p> <p>1</p>
---	---	---

x2

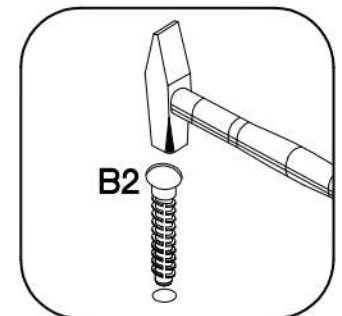
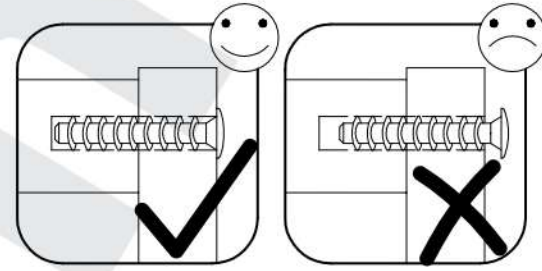


7

<p>±6x42mm</p>  <p>B2</p> <p>8</p>



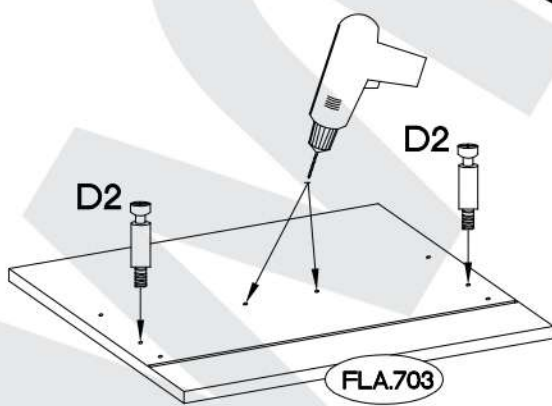
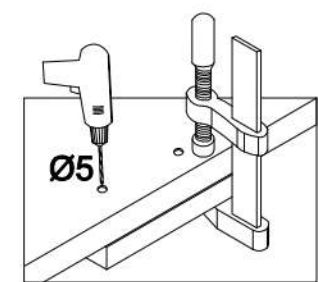
x2



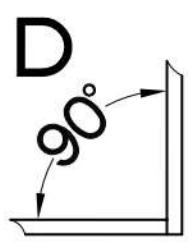
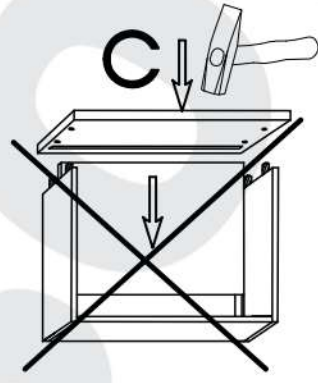
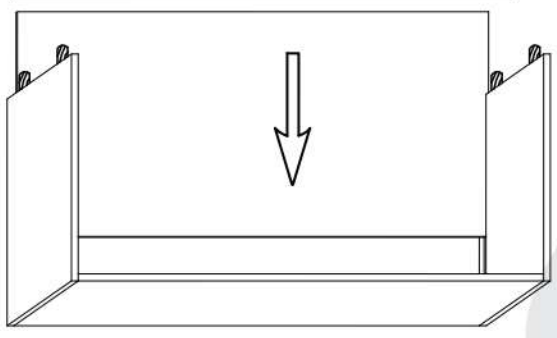
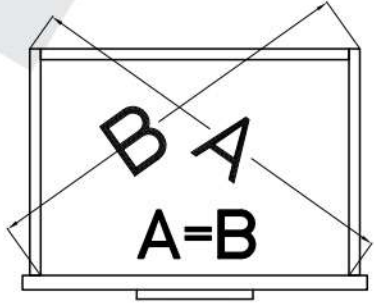
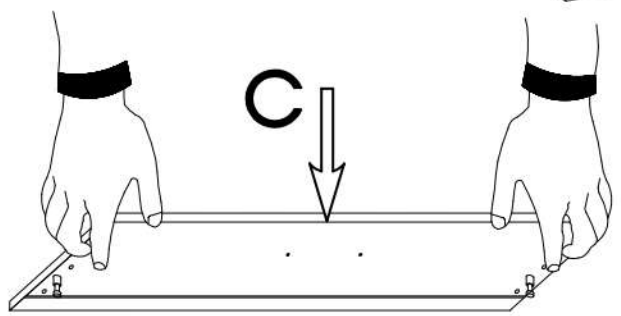
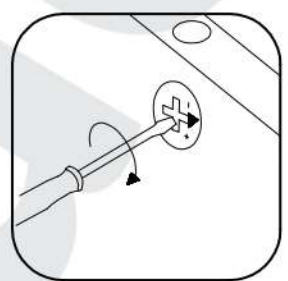
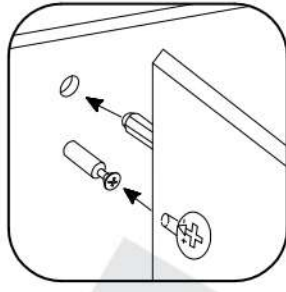
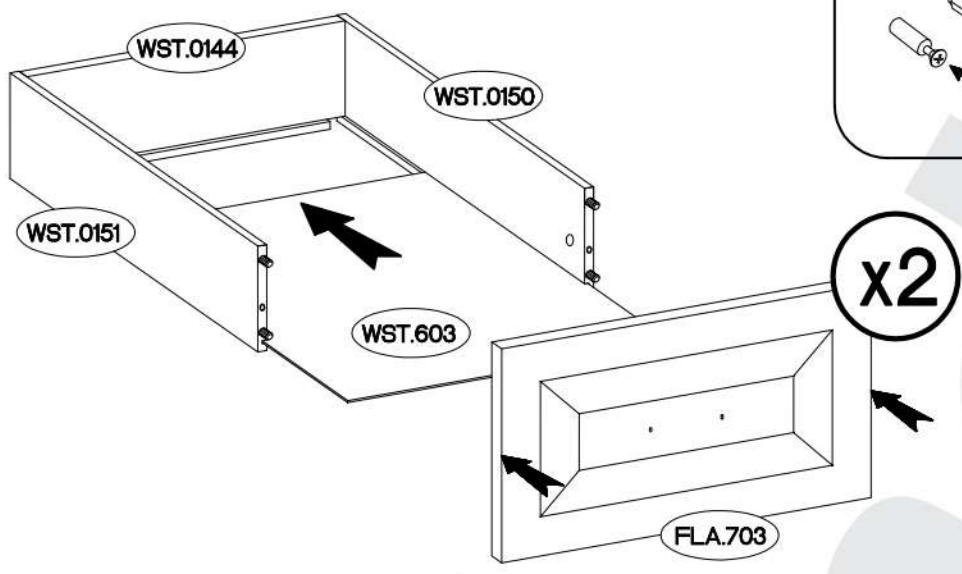
8

<p>L=20mm</p>  <p>D2</p> <p>4</p>
--

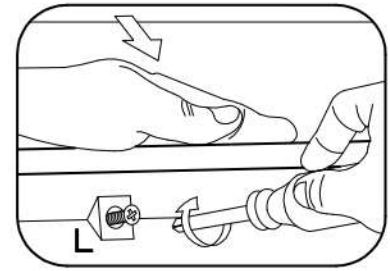
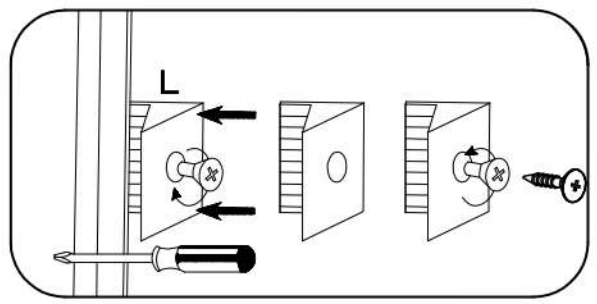
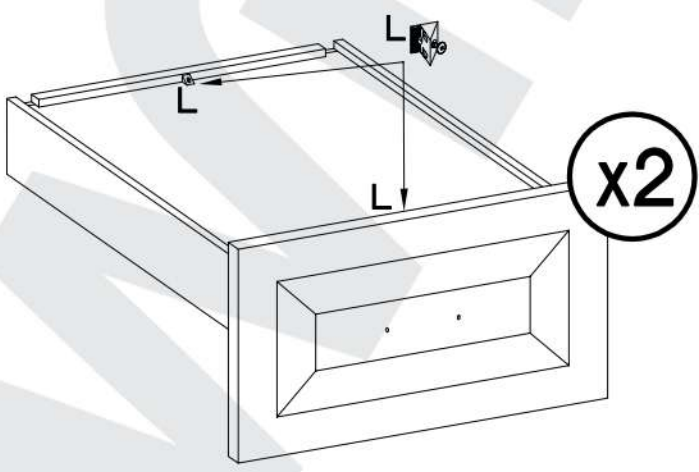
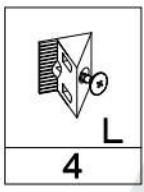
x2









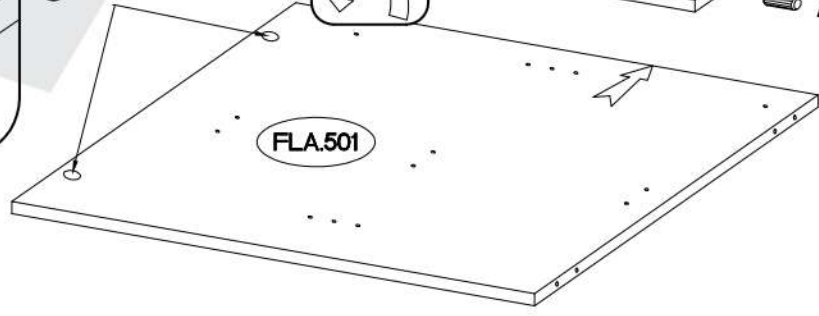
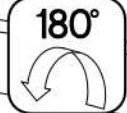
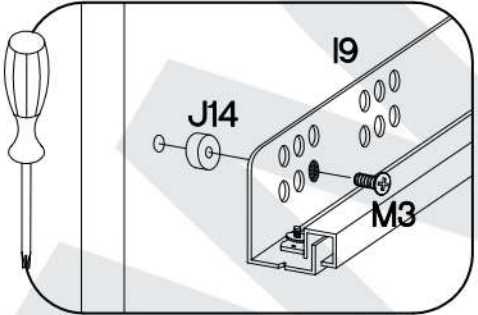
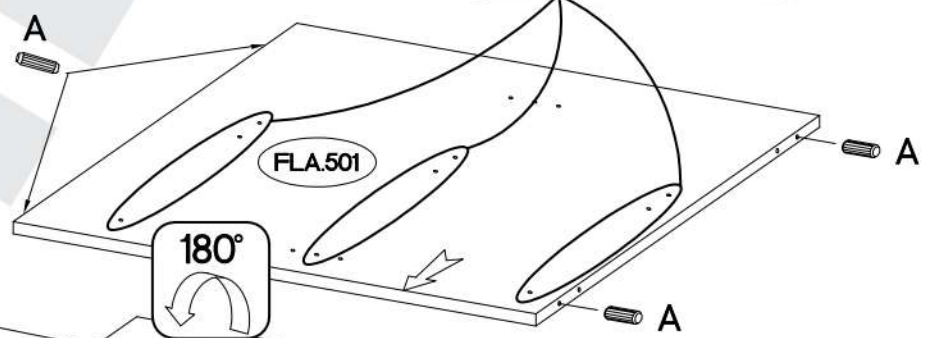
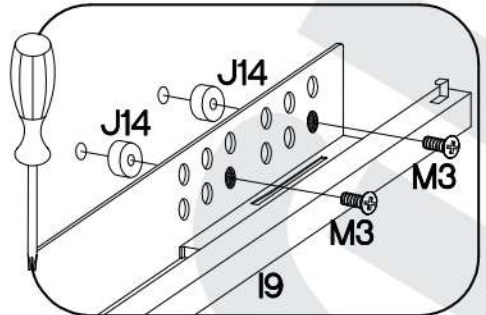
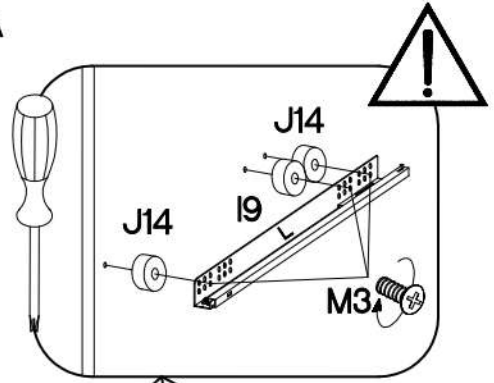
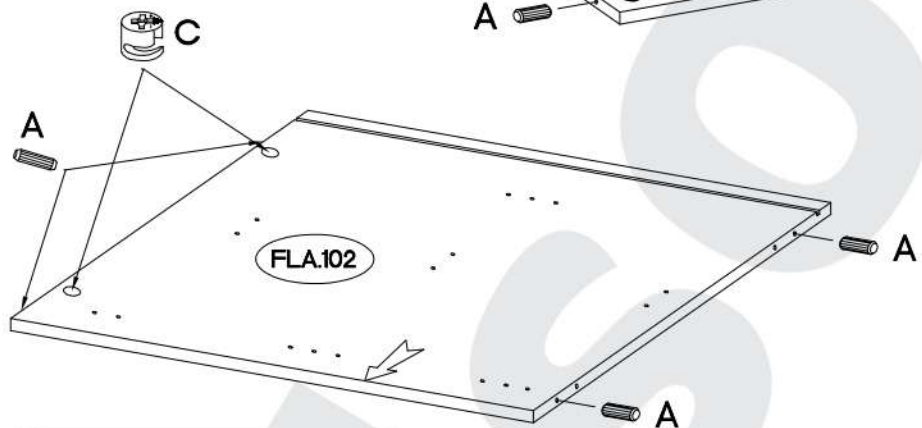
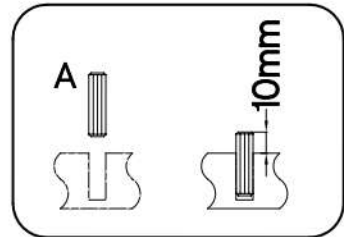
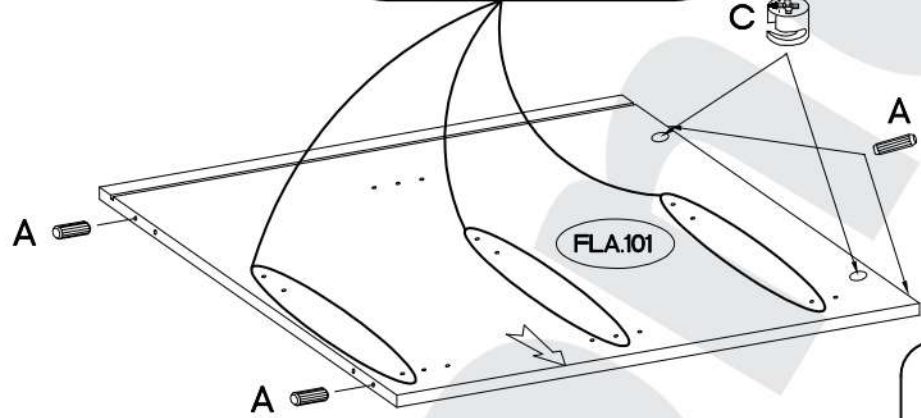
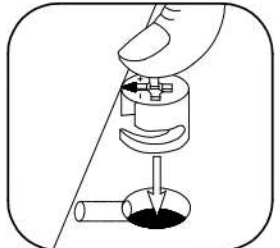
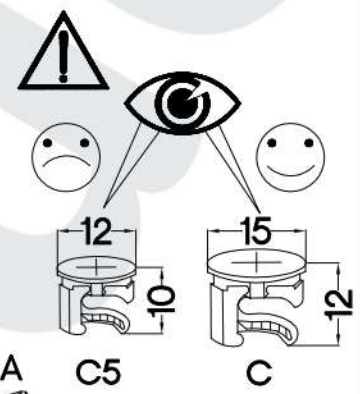
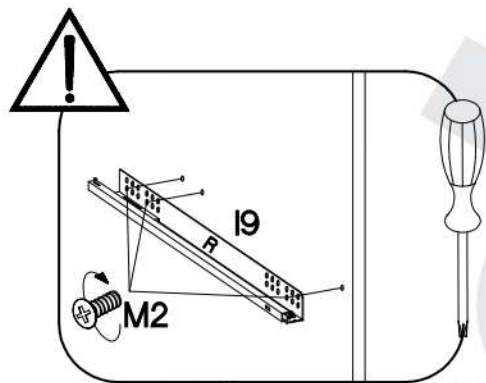
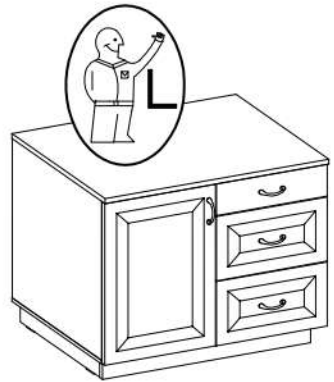
9



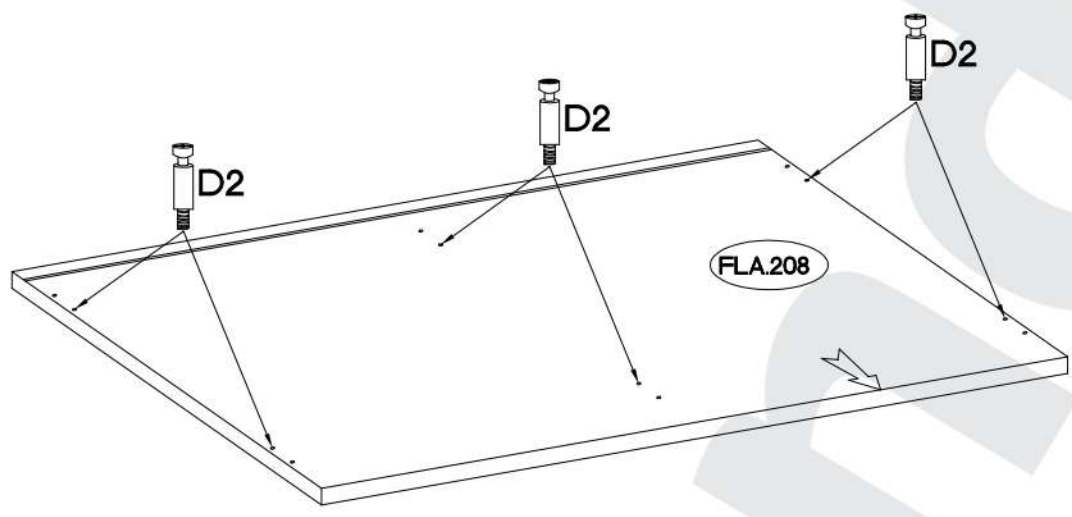
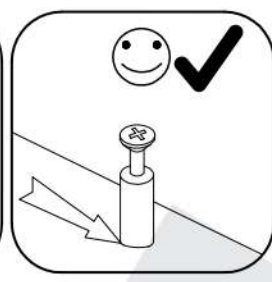
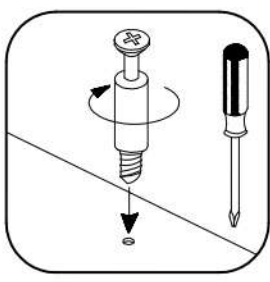
10



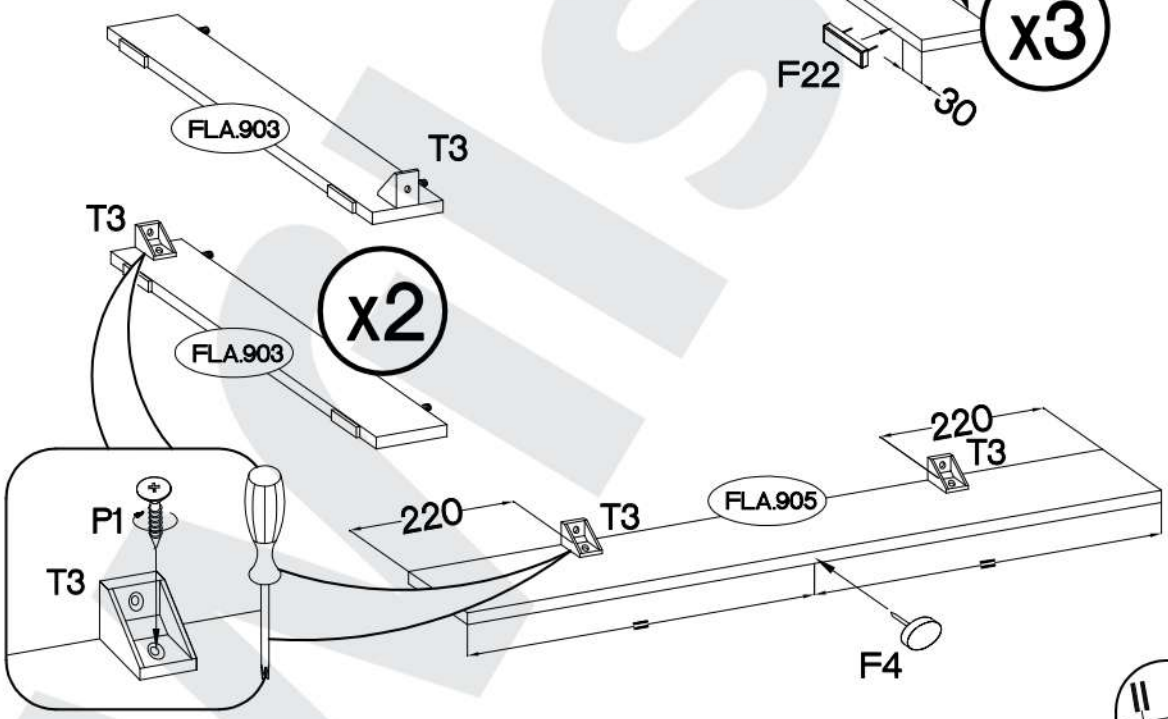
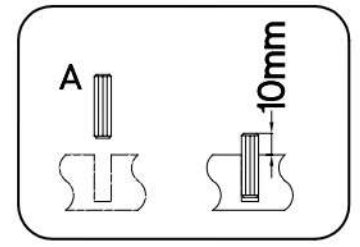
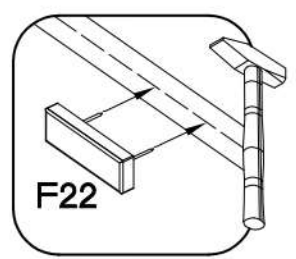
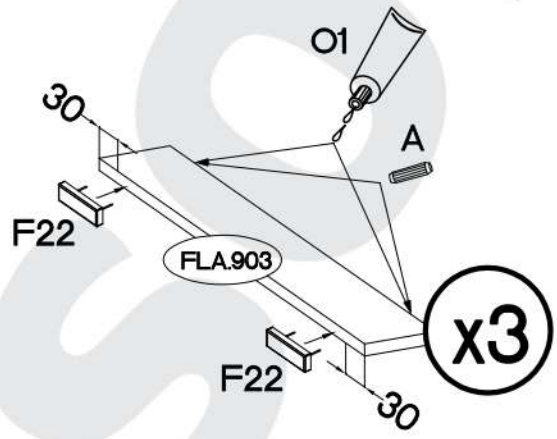
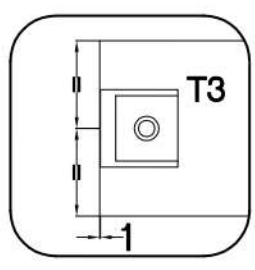
$\pm 8 \times 30 \text{mm}$  A 12	$\pm 15/12 \text{mm}$  C 6	$L=400 \text{mm}$  I9 3	$\pm 6.3 \times 13 \text{mm}$  M2 9	$\pm 6.3 \times 20 \text{mm}$  M3 9	$\pm 20/8 \text{mm}$  J14 9
--	---	--	--	--	---



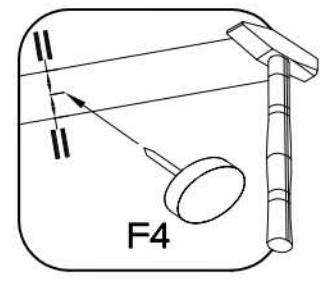
12



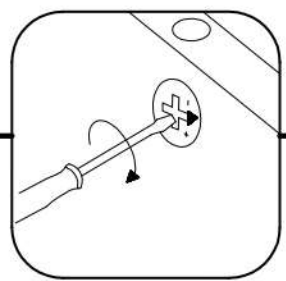
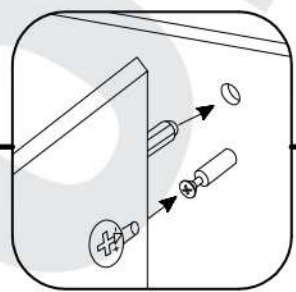
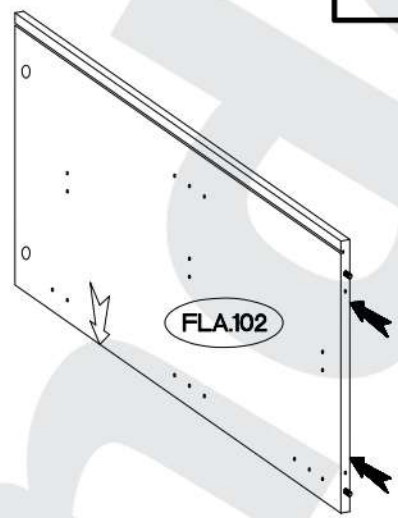
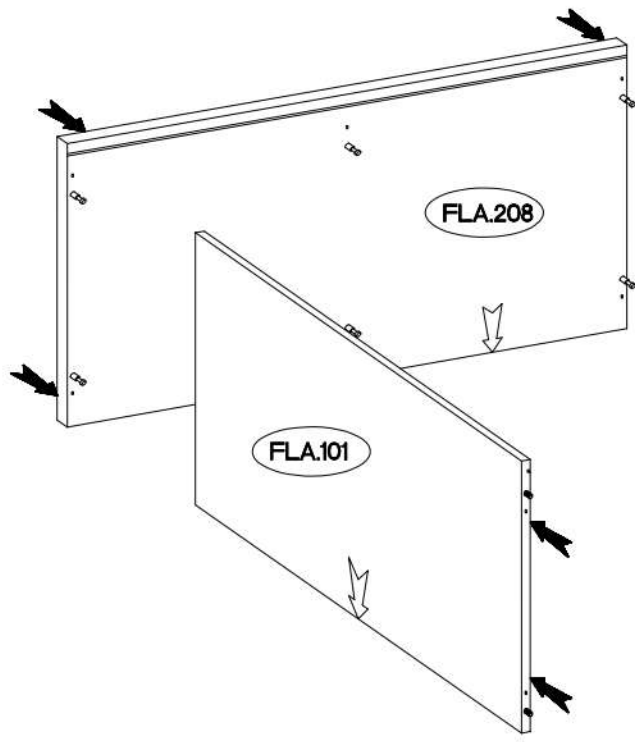
13



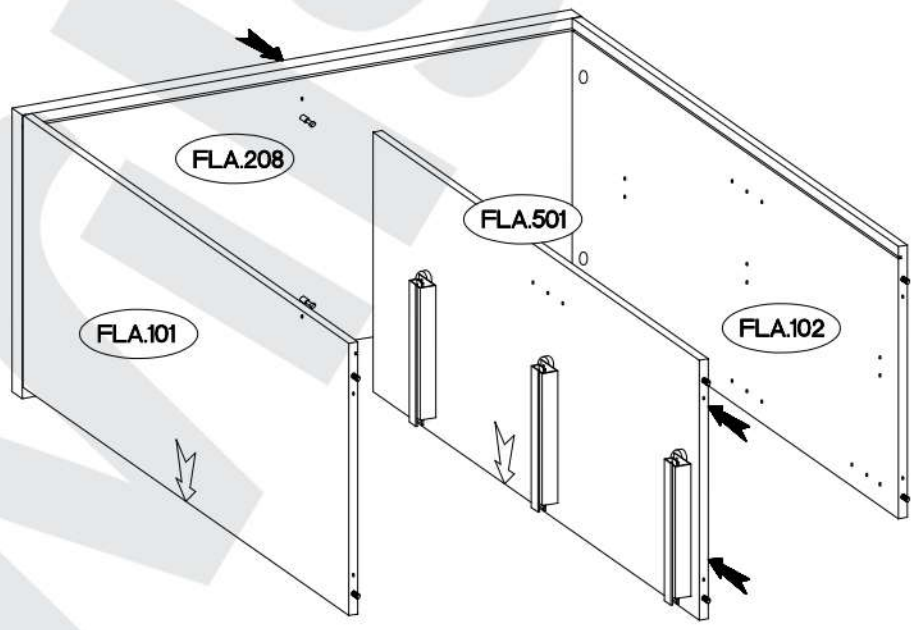
T3	P1	F22	F4	O1	A
5	5	6	1	1	6

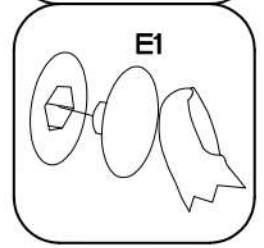
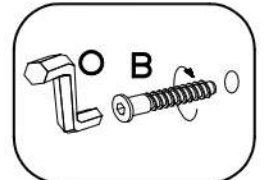
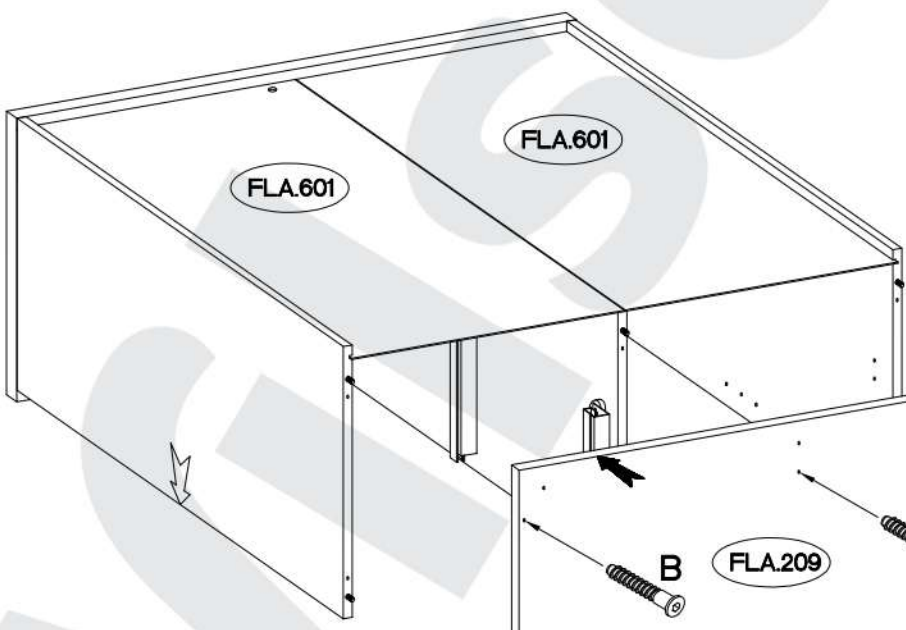
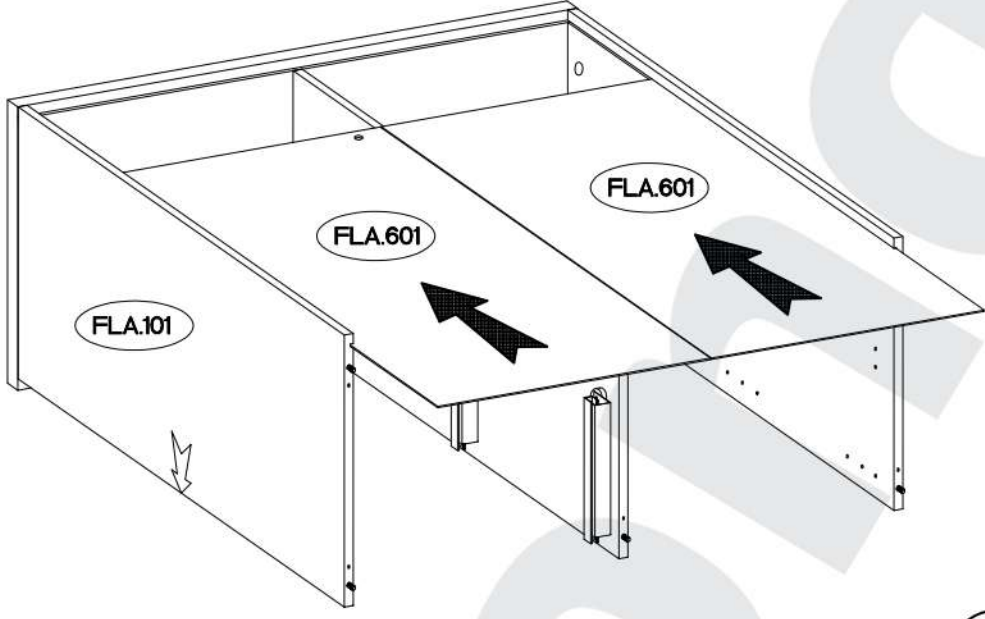
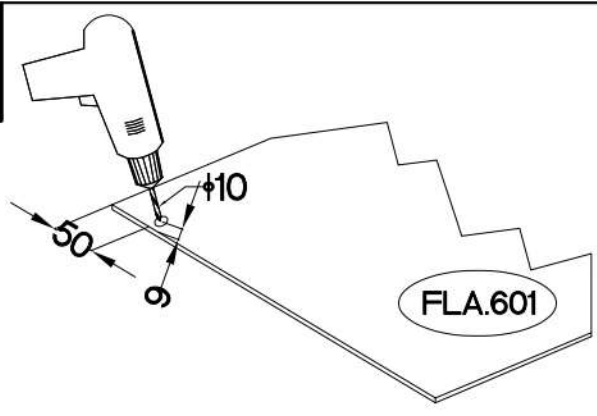


14






15

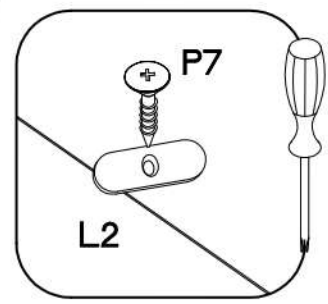
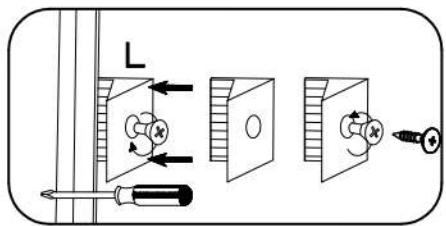
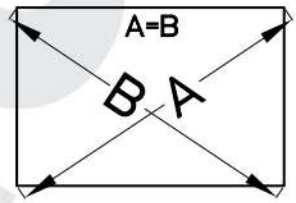
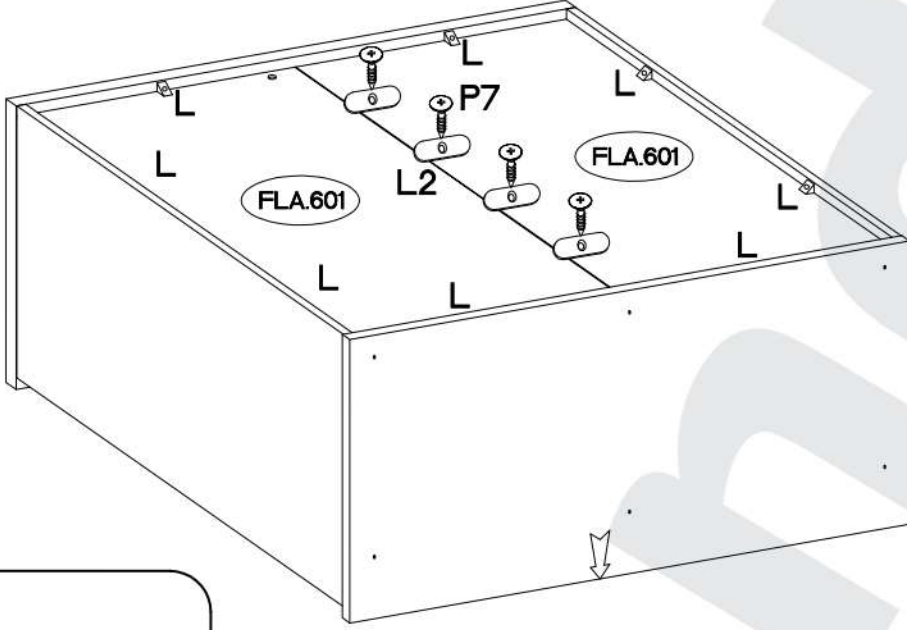
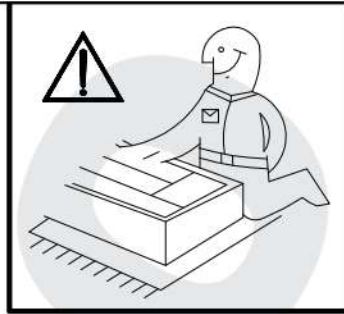





6,4 x 50mm		
B	O	E1
6	1	4

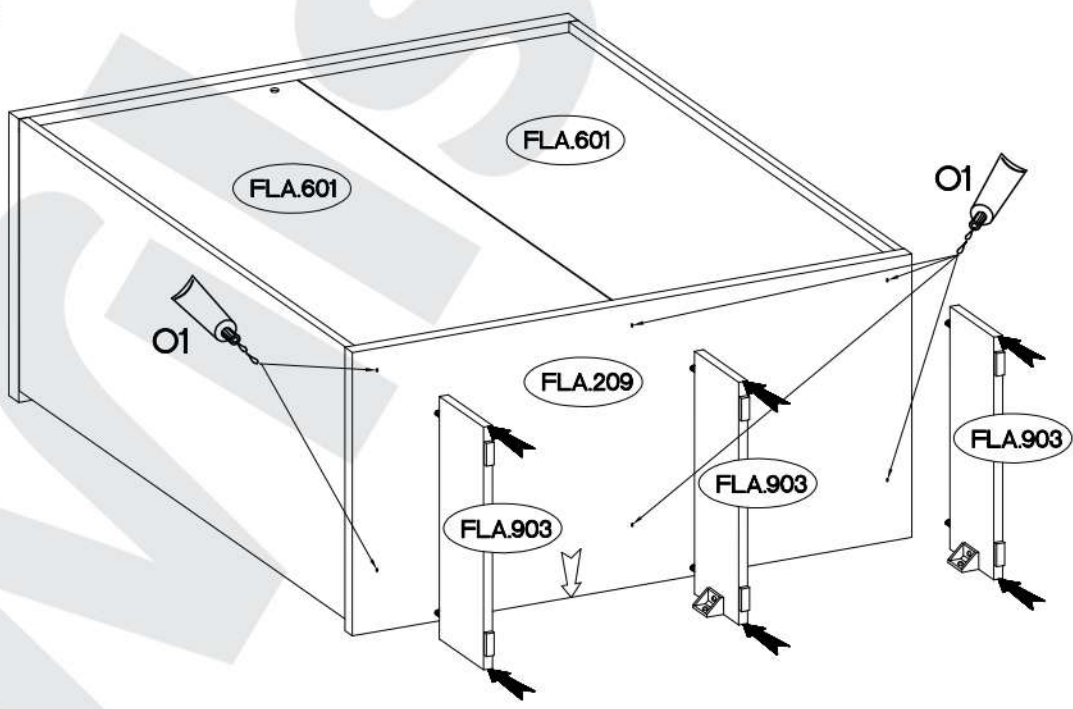
17

	 #3.0x20mm	
L	P7	L2
8	4	4



18

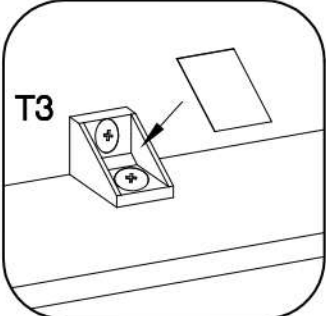
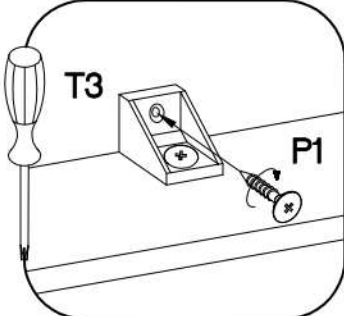
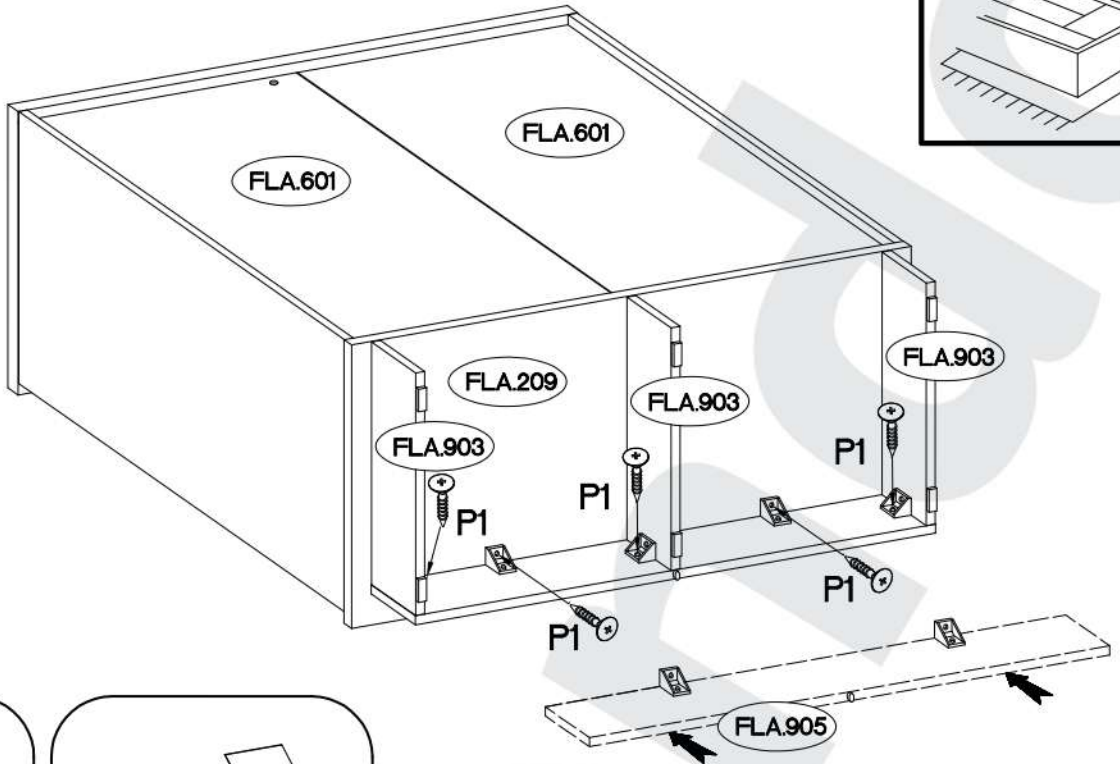

O1
1



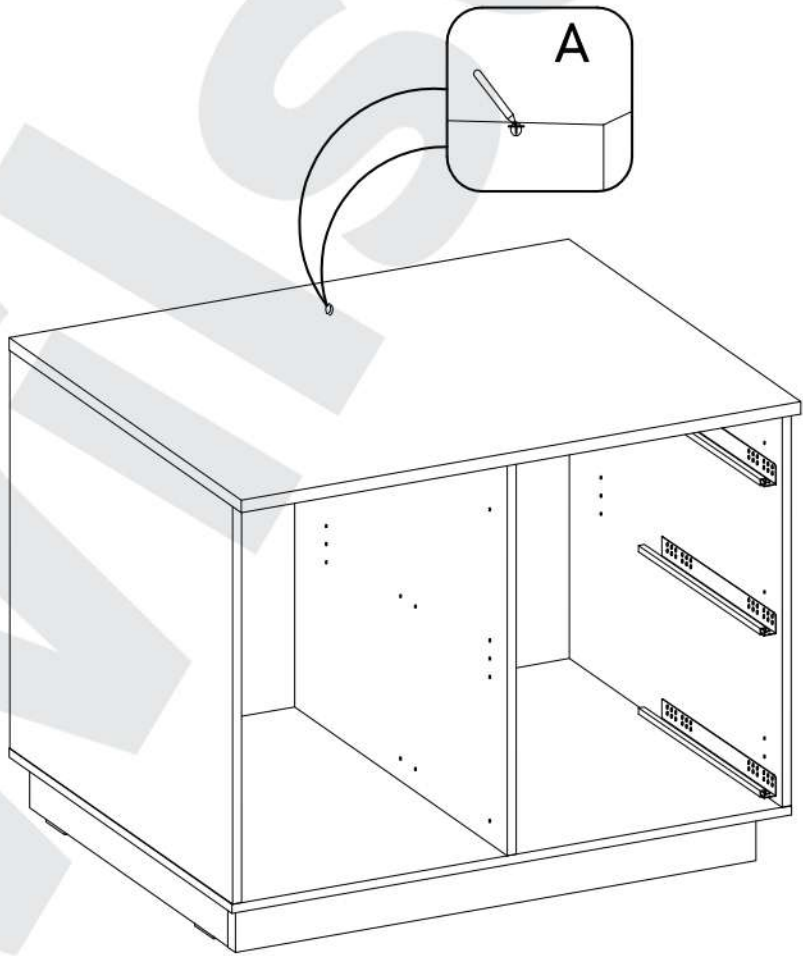
19

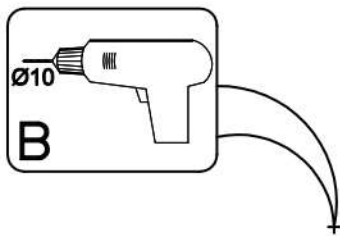
4.0x16mm

 P1
 5

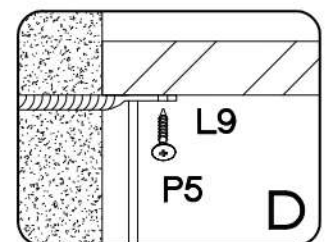
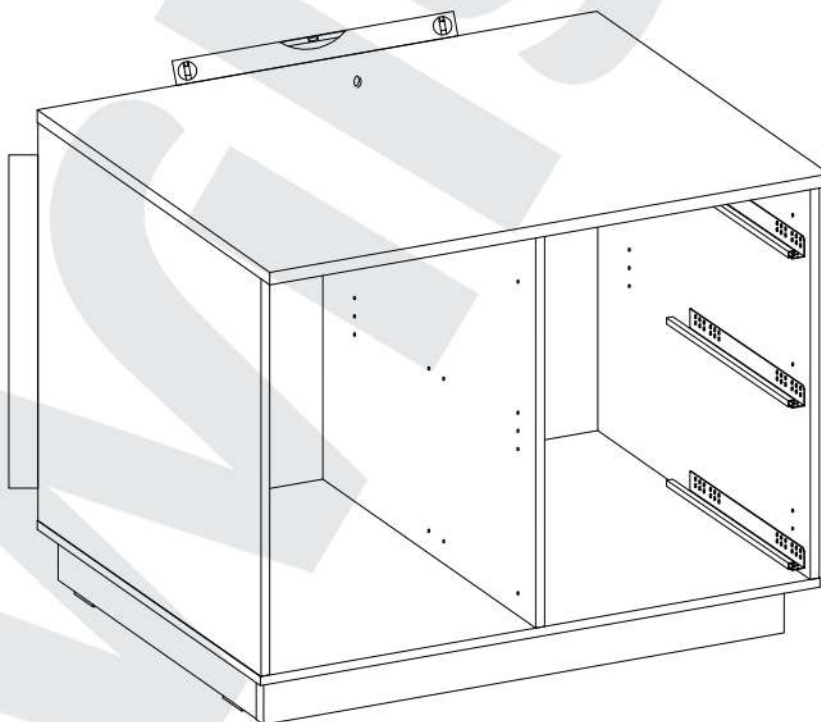
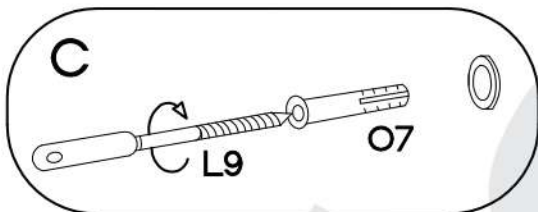
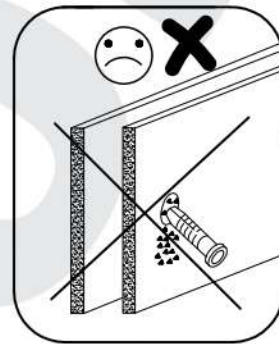
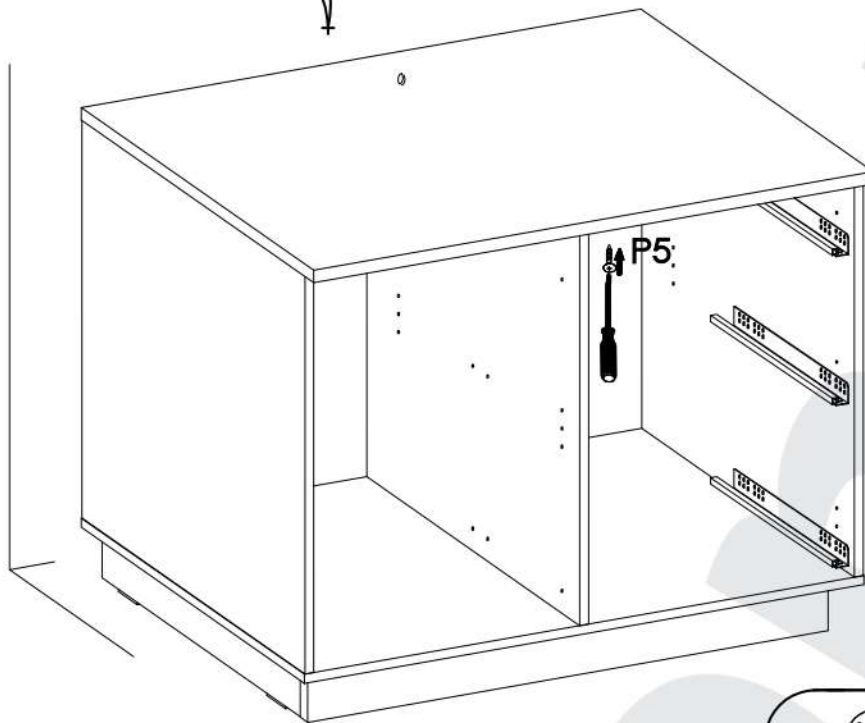


20





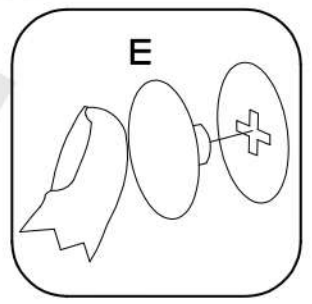
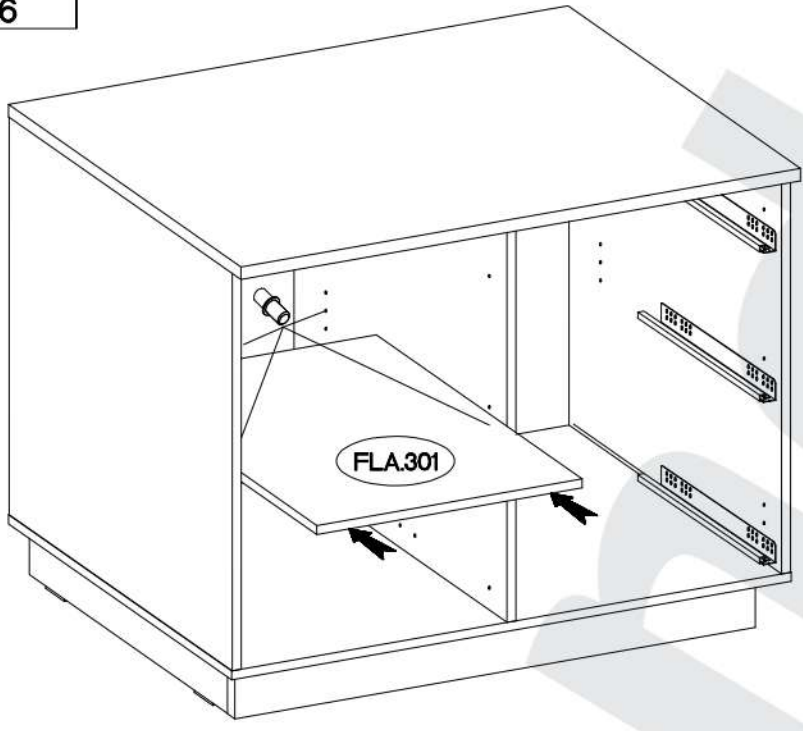
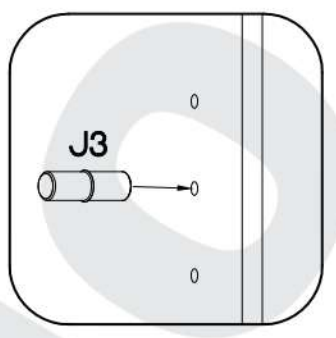


 Ø10x50mm O7 1	 Ø3.5x13mm L9 1	 Ø3.5x13mm P5 1
--	---	---





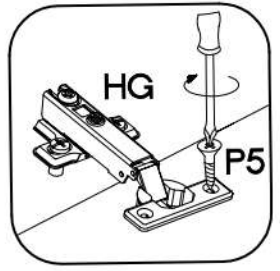
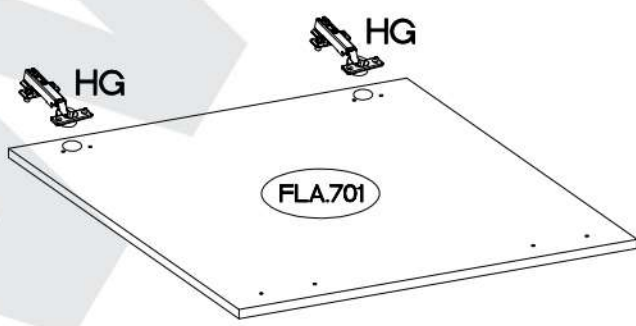
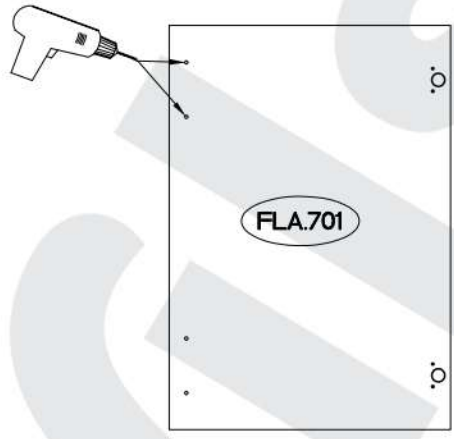
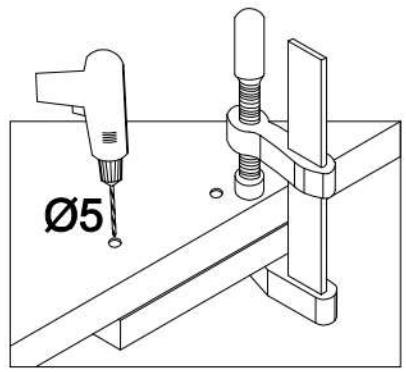
21

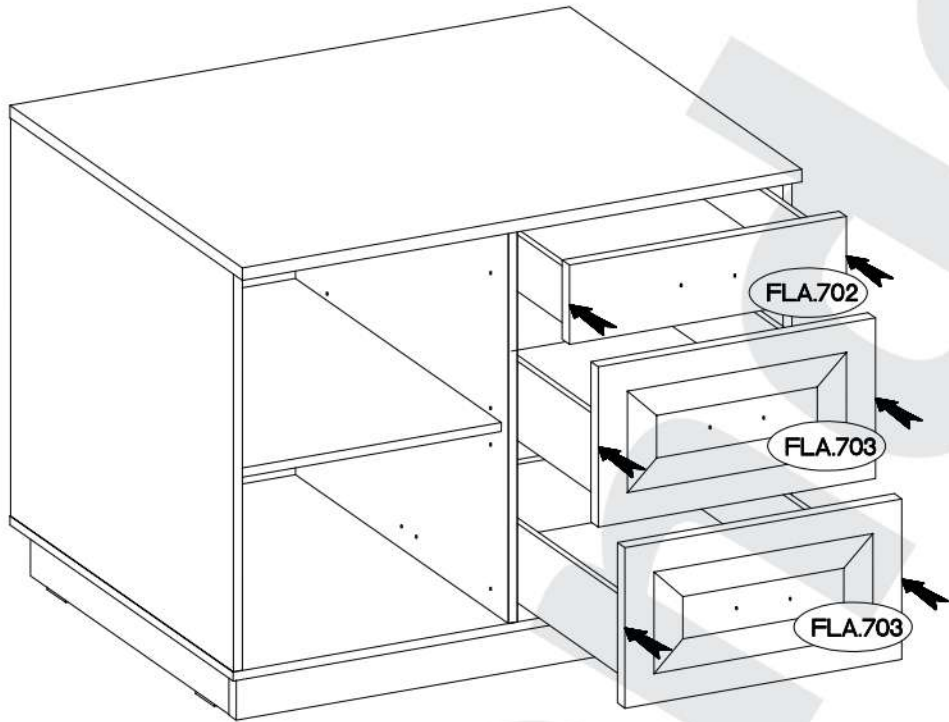
$\pm 5/16\text{mm}$		
	J3	E
4		6



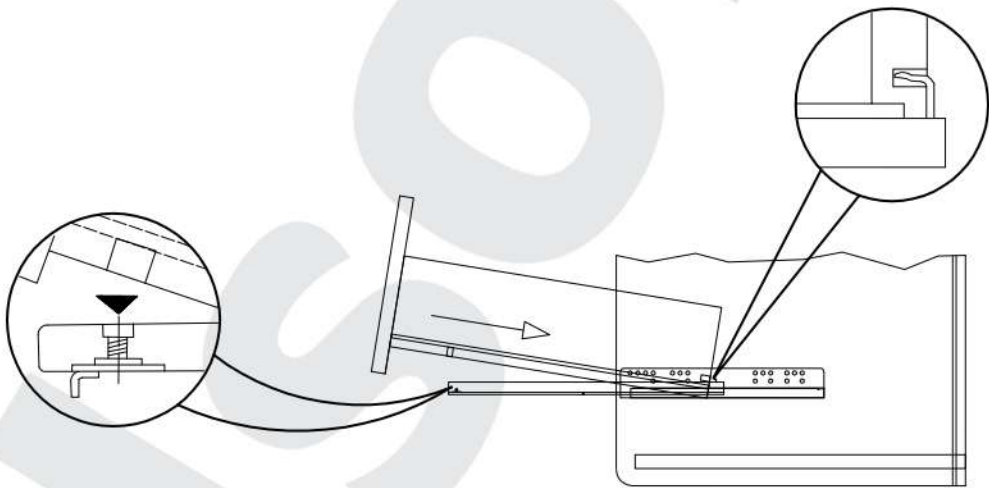
22

$\pm 35/0\text{mm}$	$\pm 3.5 \times 13\text{mm}$
	
HG	P5
2	4

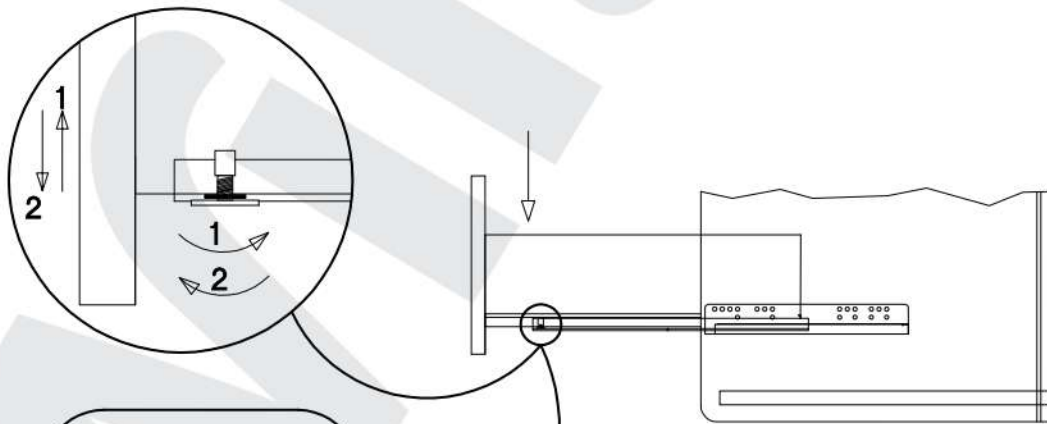




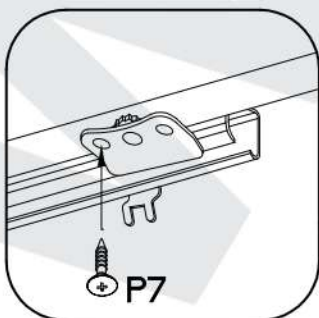
1.





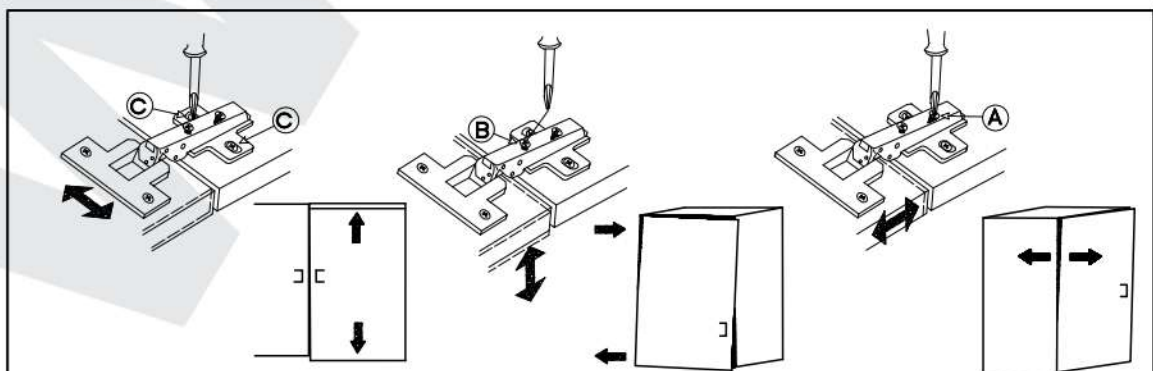
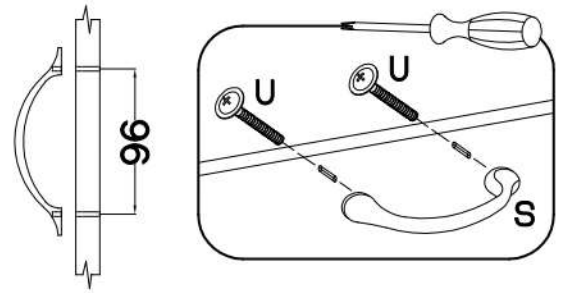
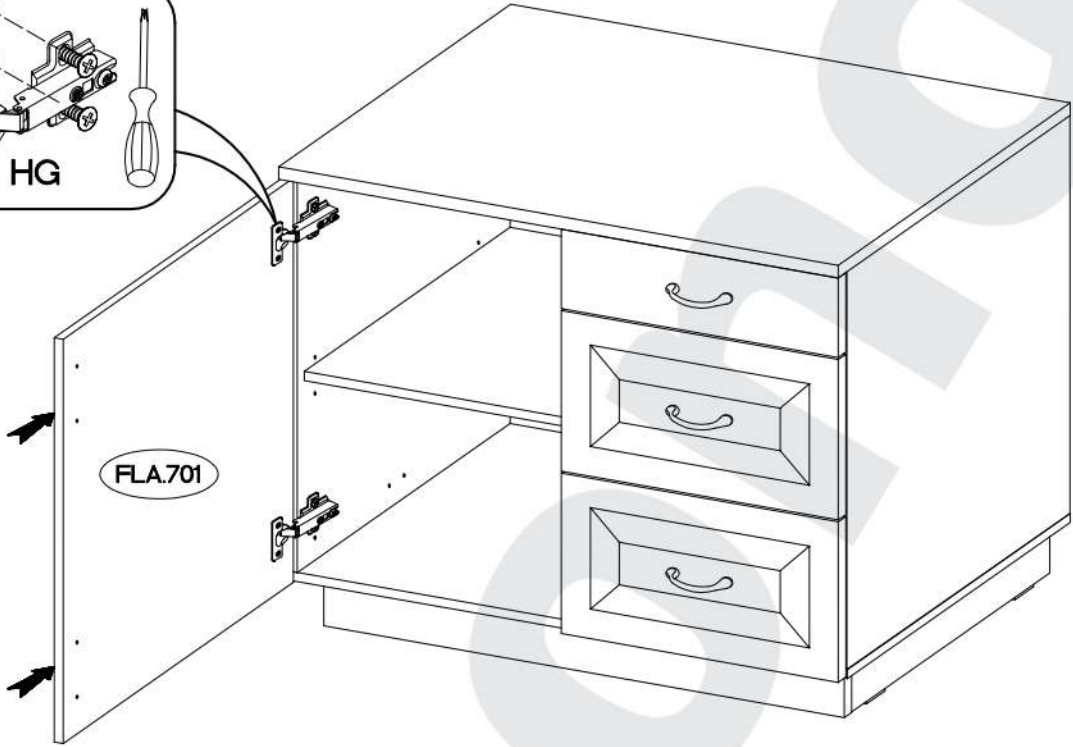
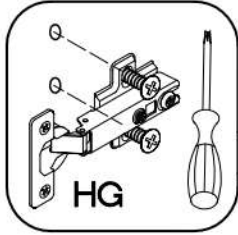
2.







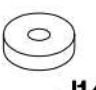


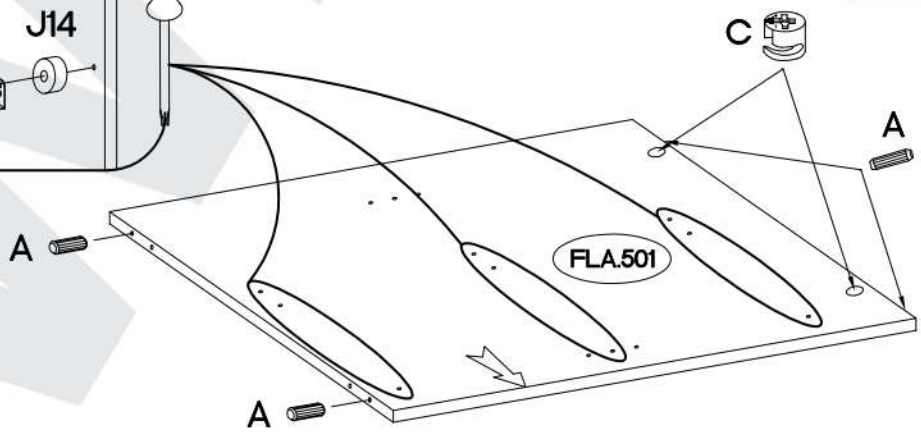
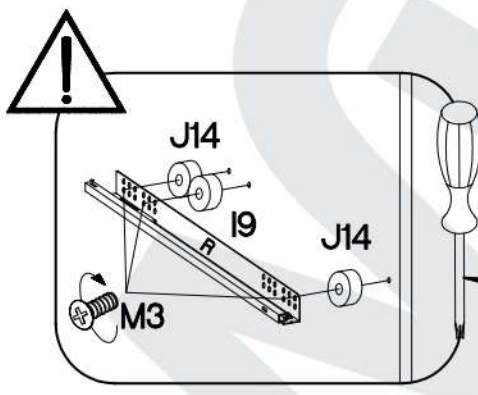
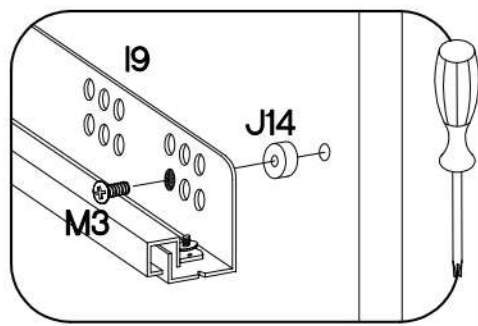
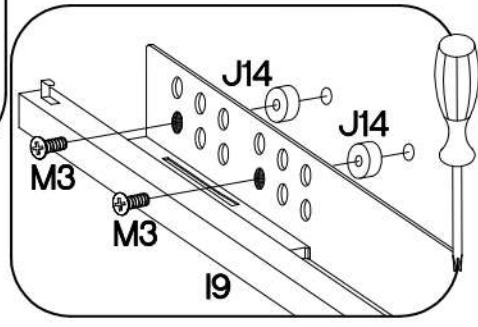
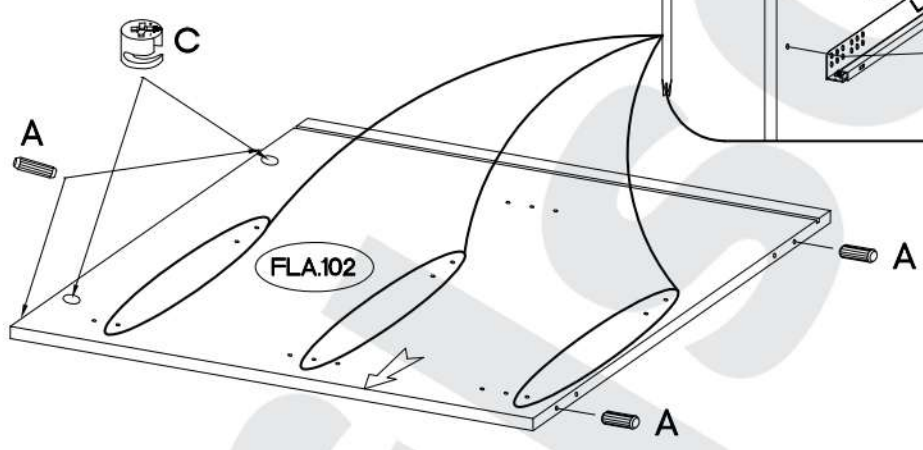
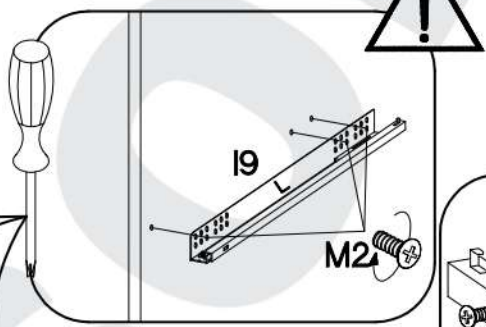
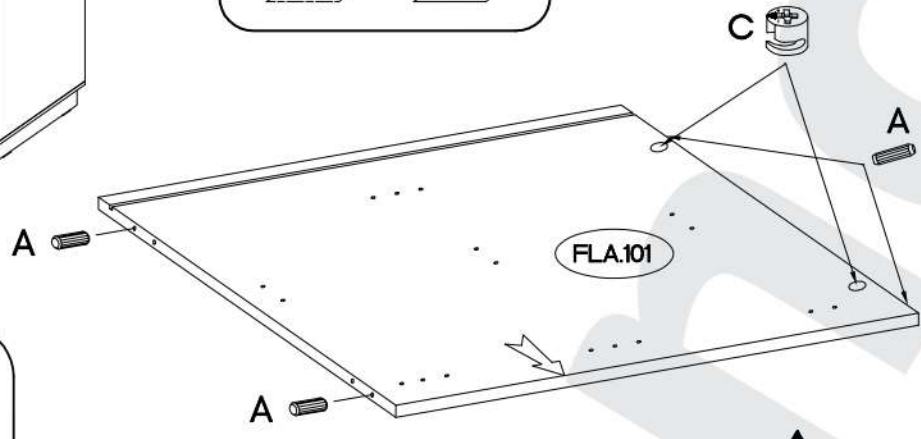
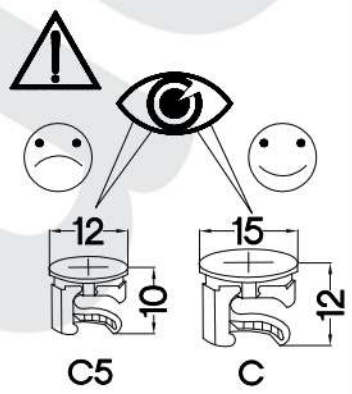
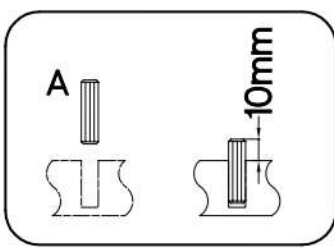
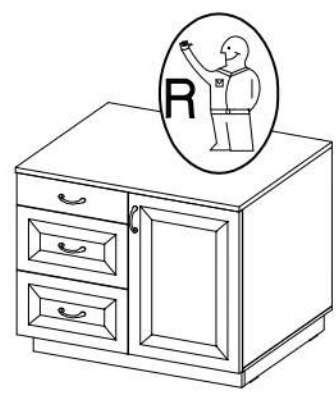
3.

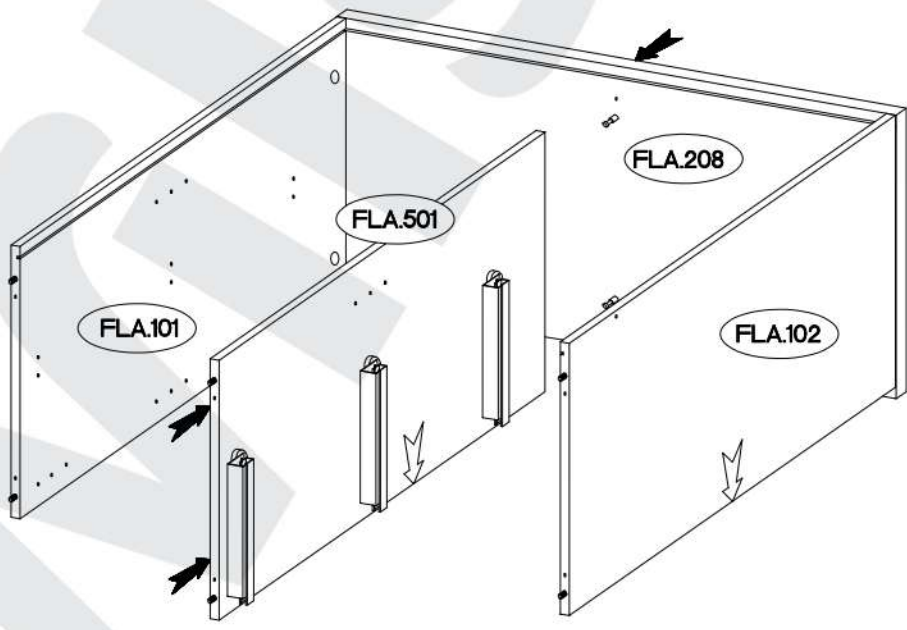
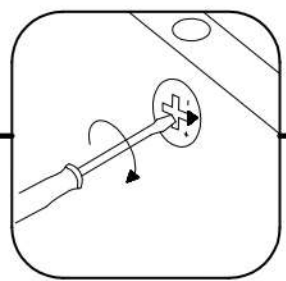
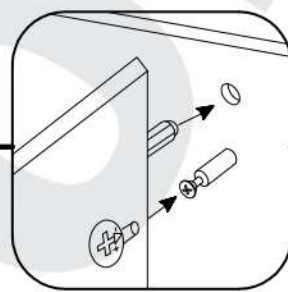
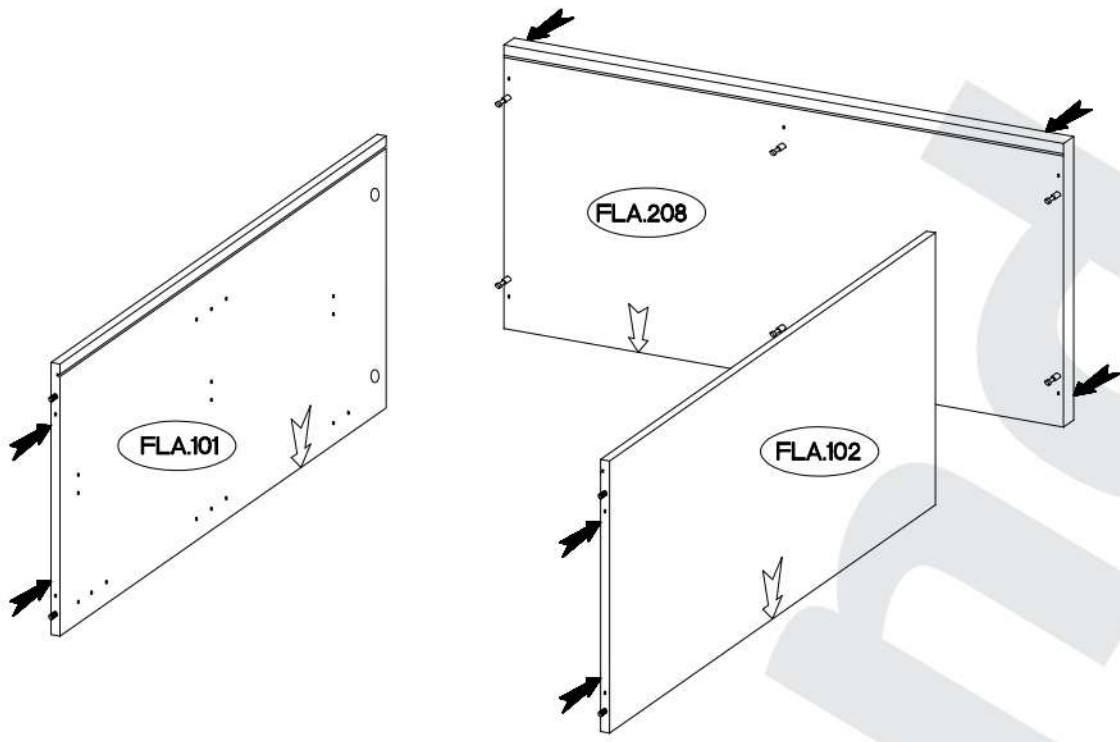
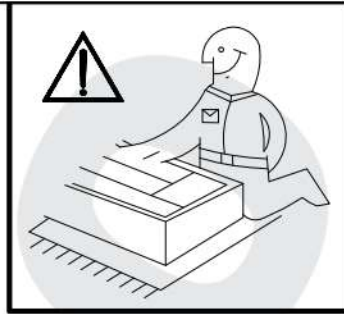


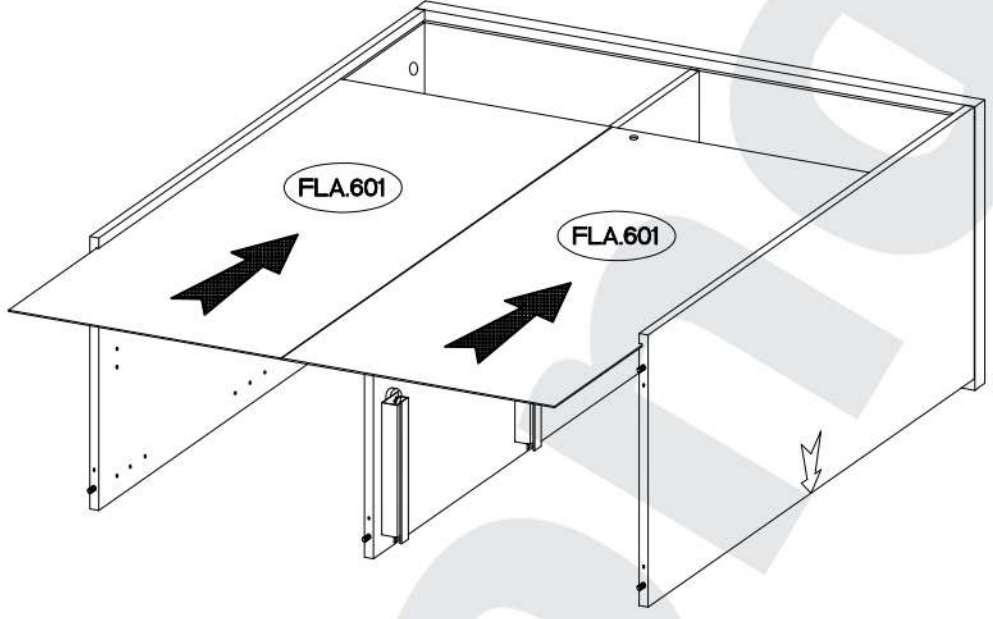
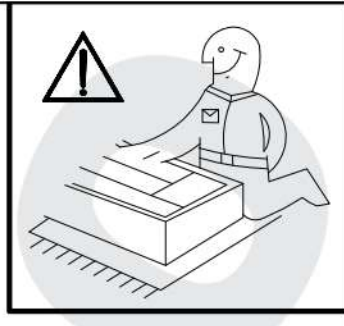
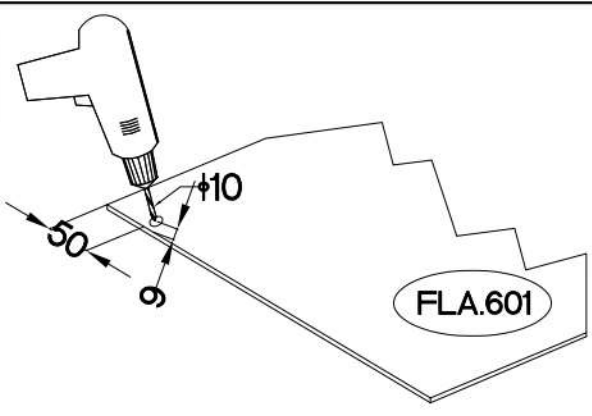
M4x22mm	
 U	 S
8	4



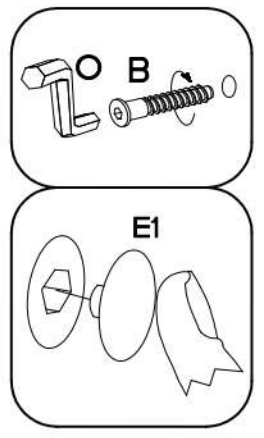
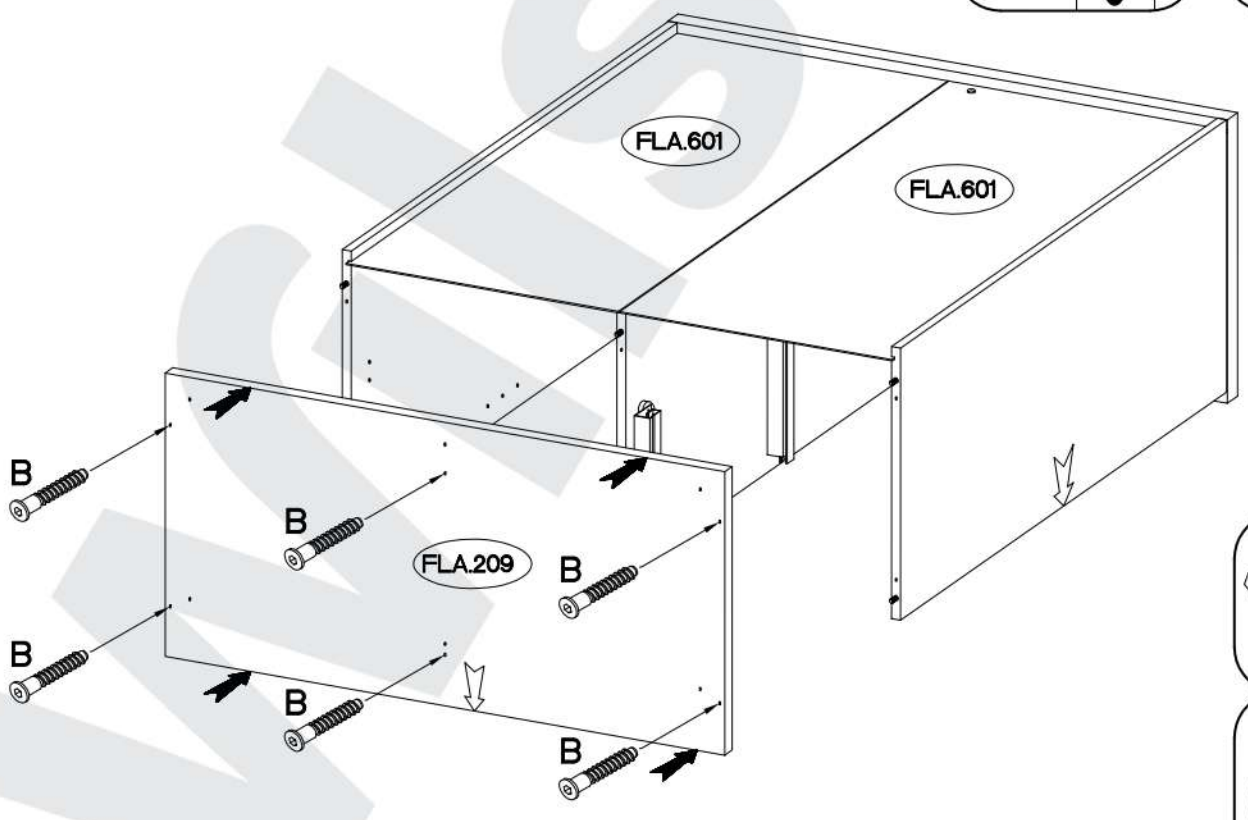
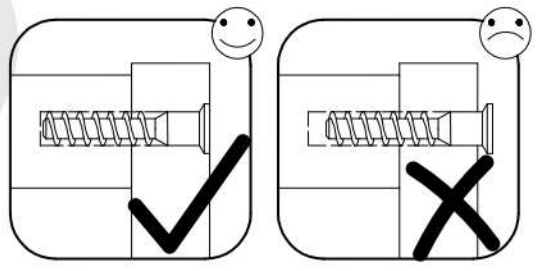
+8x30mm  A 12	+15/12mm  C 6	L=400mm  L  R I9 3	+6.3x13mm  M2 9	+6.3x20mm  M3 9	+20/8mm  J14 9
--	--	--	--	--	--








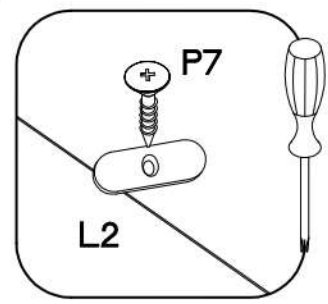
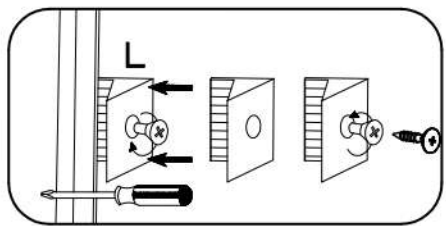
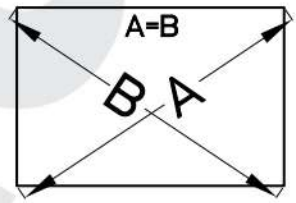
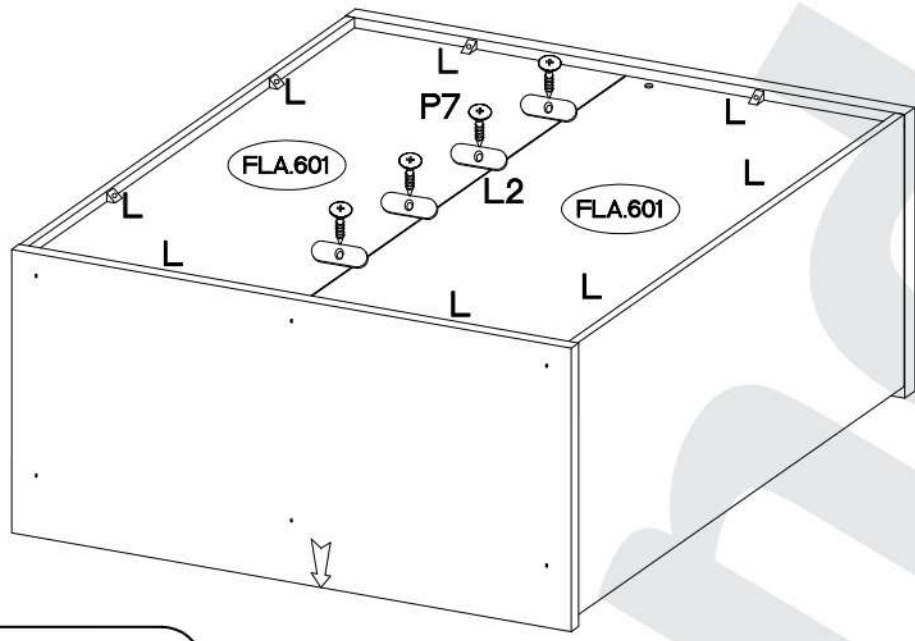


6,4 x 50mm		
	O	E1
6	1	4




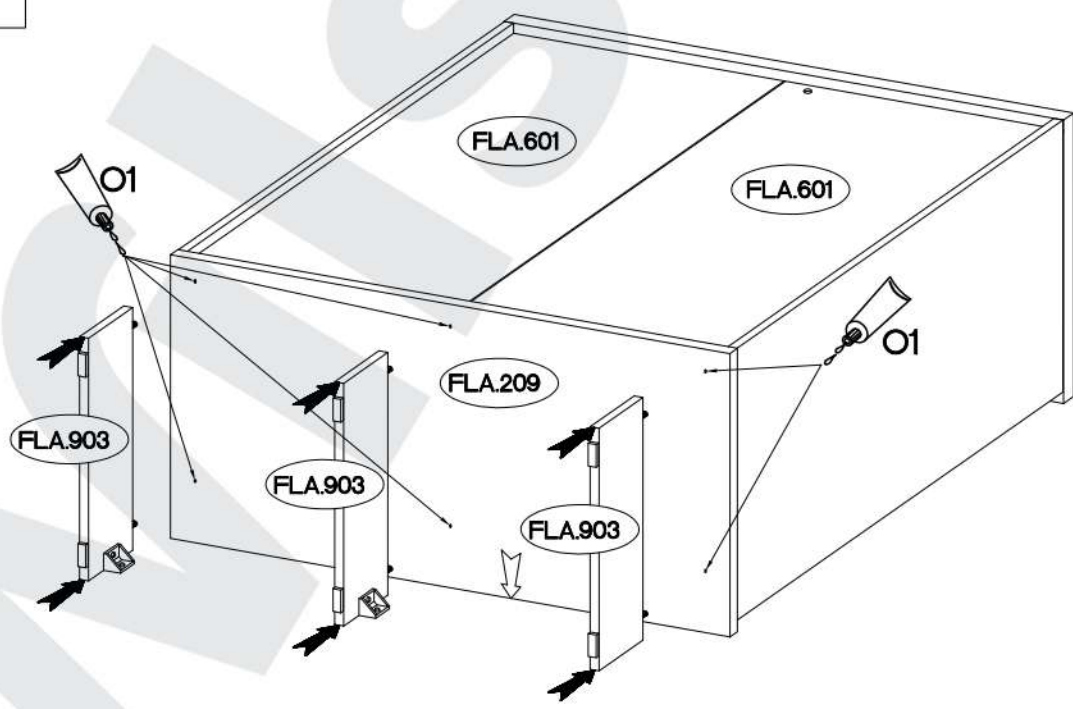
31

 L	 P7	 L2
8	4	4

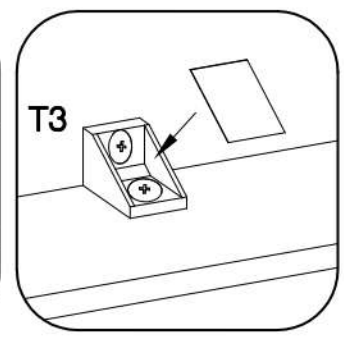
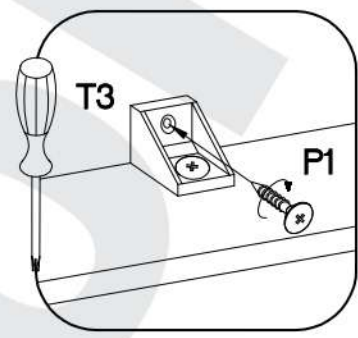
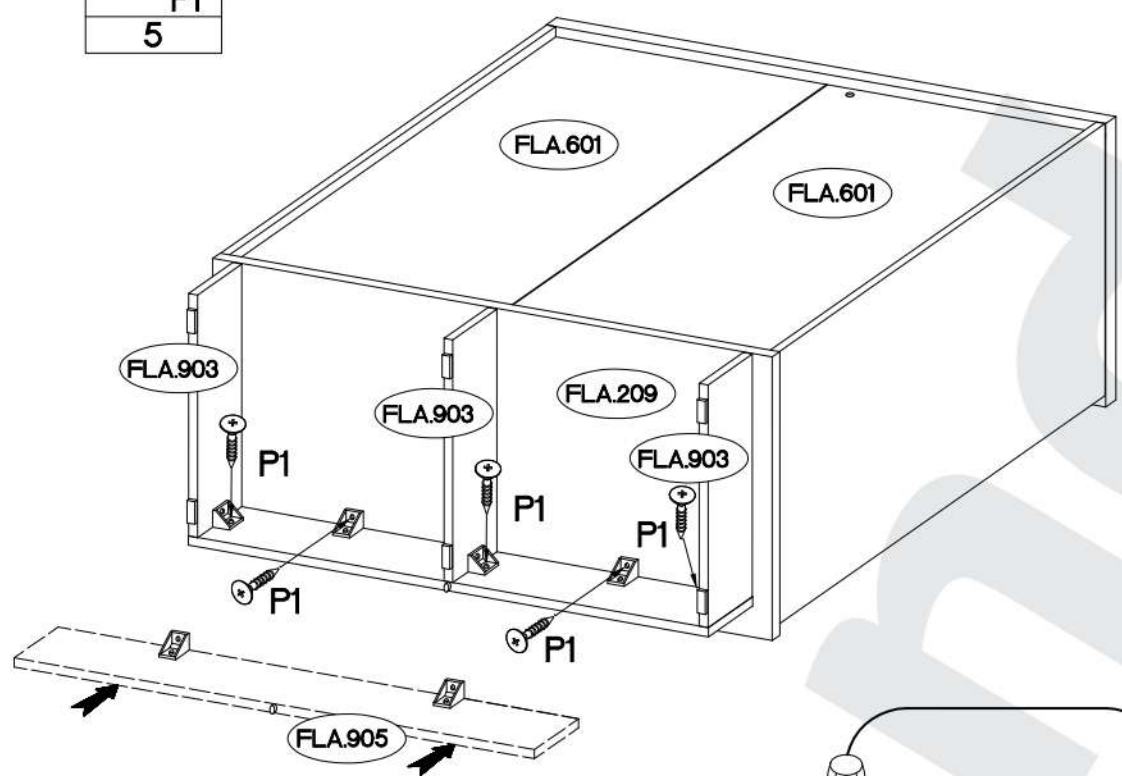


32

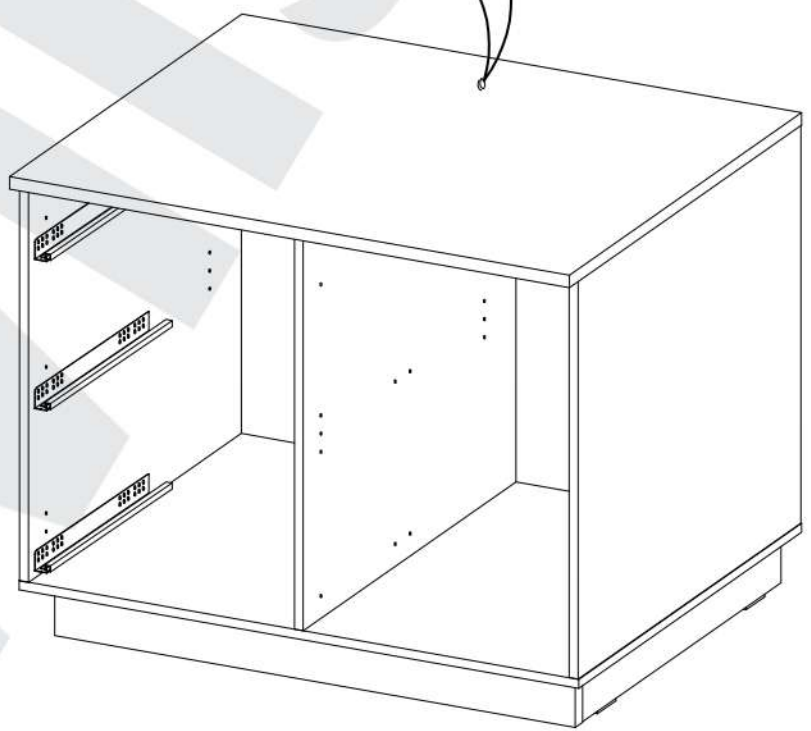
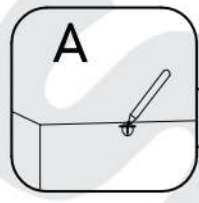
 O1
1






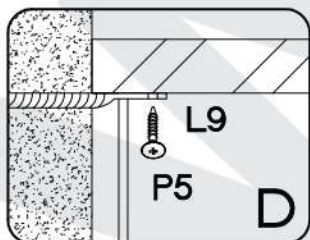
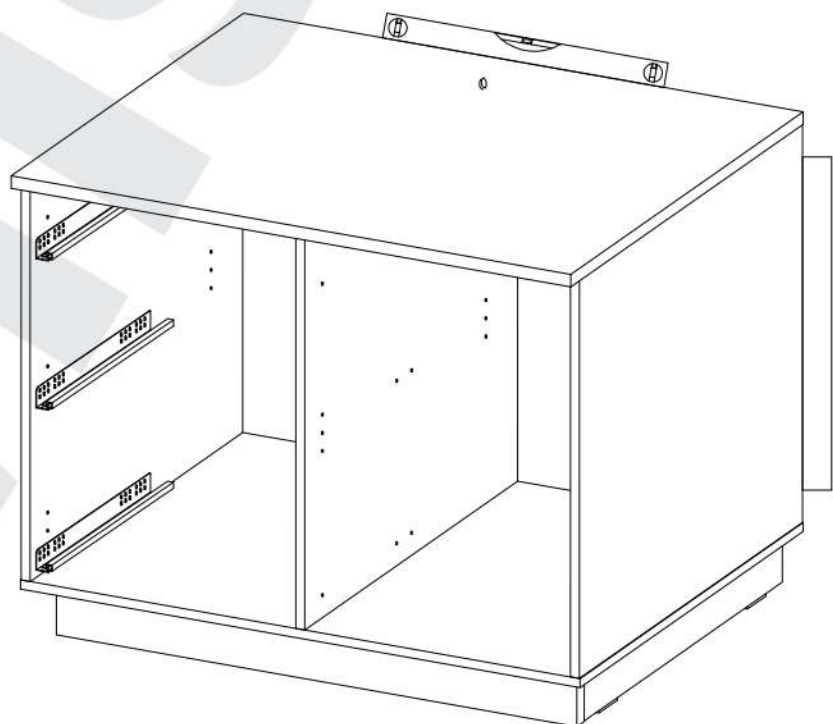
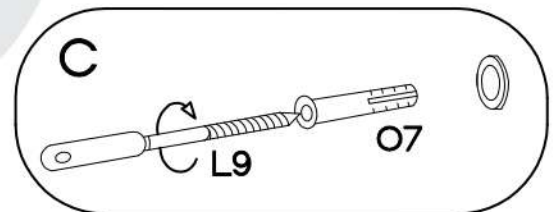
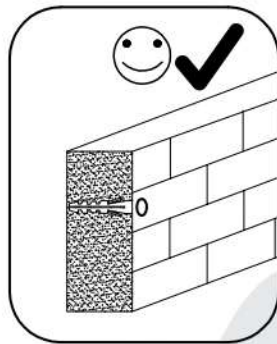
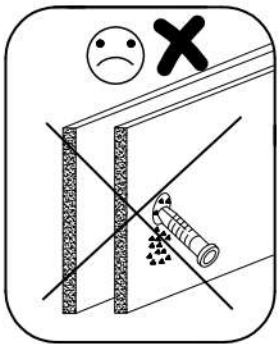
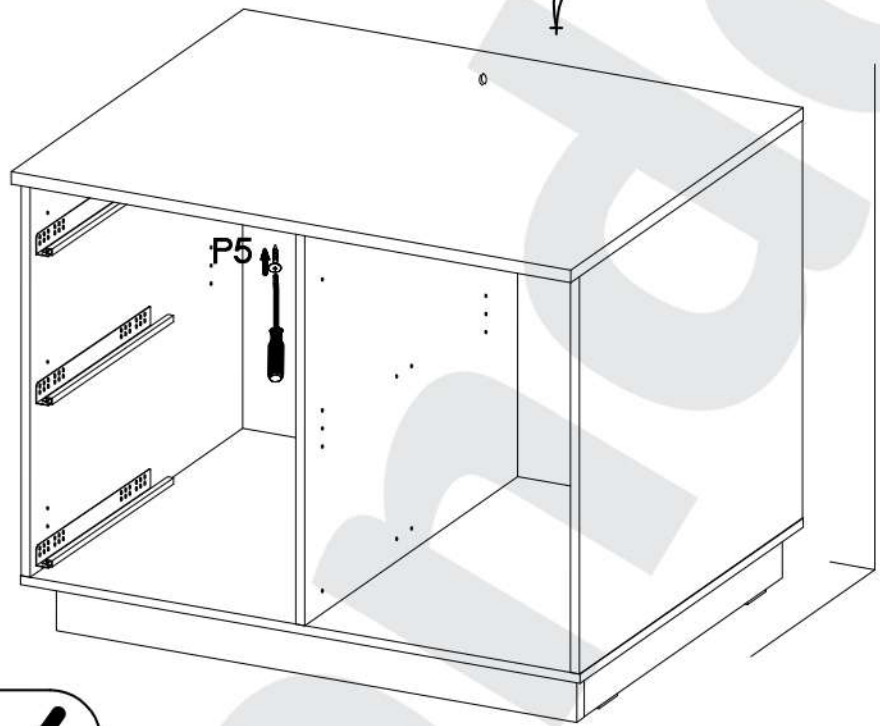
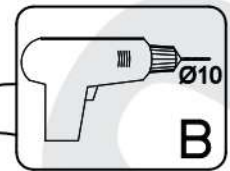
33





34

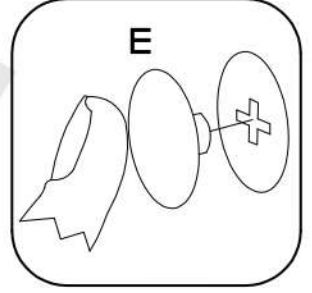
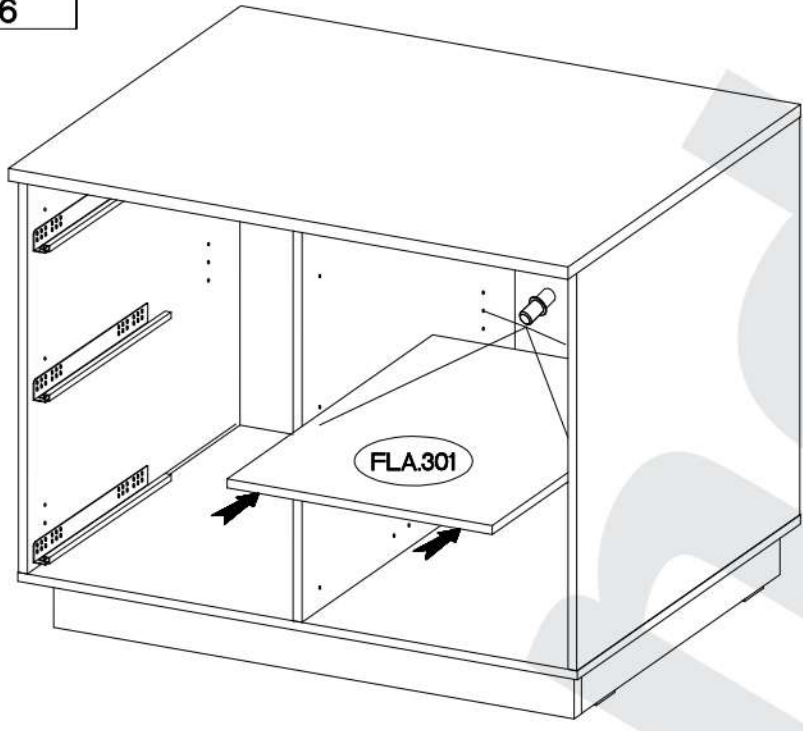
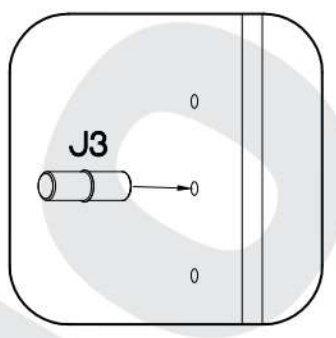


 Ø7 1	 L9 1	 P5 1
---	--	--





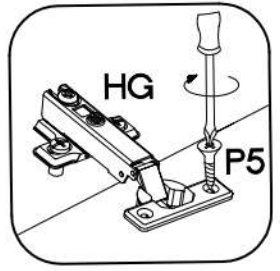
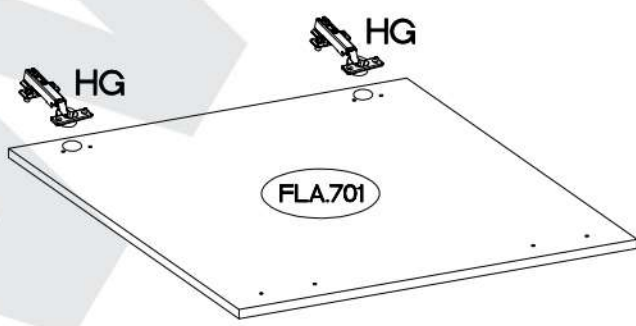
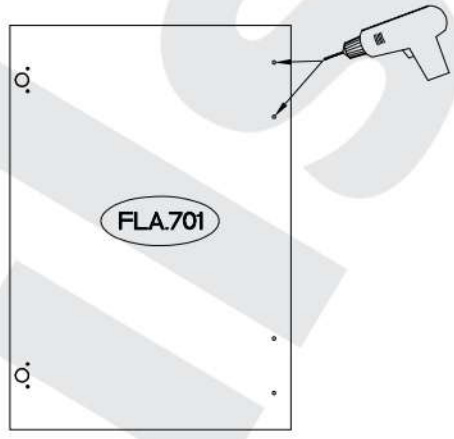
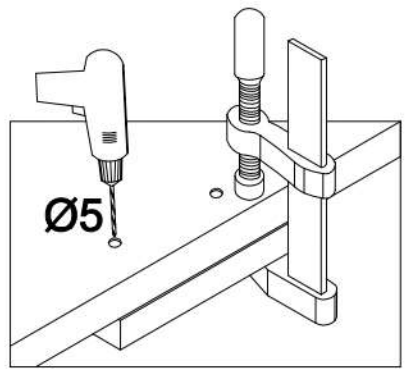
35

$\pm 5/16\text{mm}$		
	J3	E
4		6

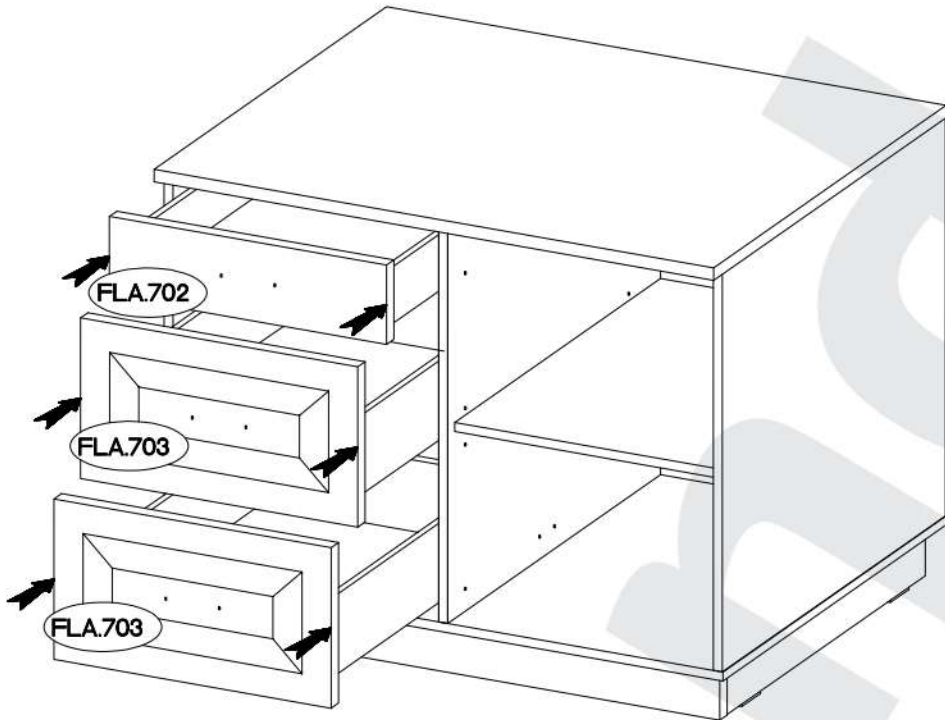


36

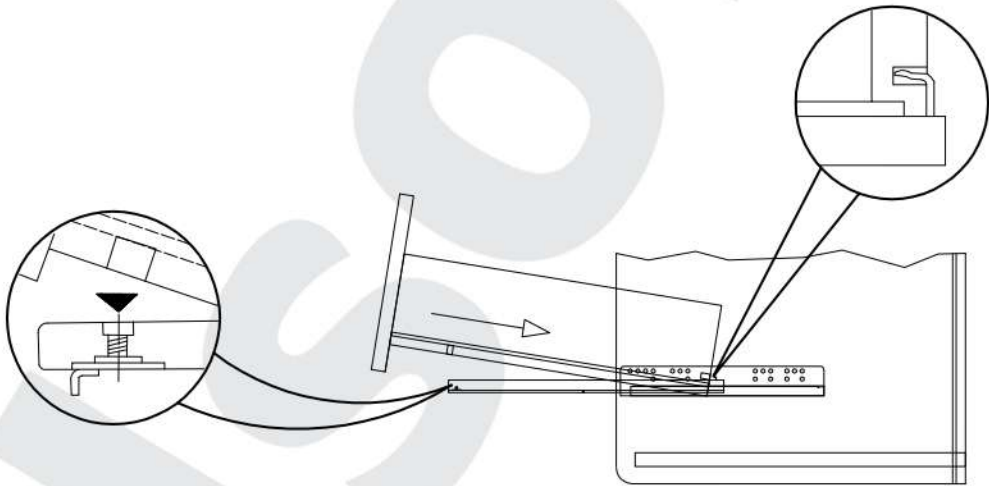
$\pm 35/0\text{mm}$	$\pm 3.5 \times 13\text{mm}$
	
HG	P5
2	4



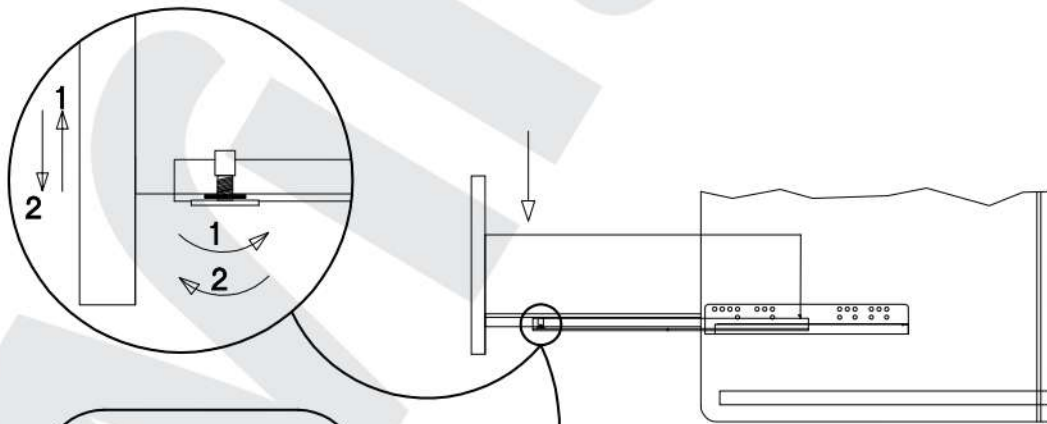
3.0x20mm
P7
6



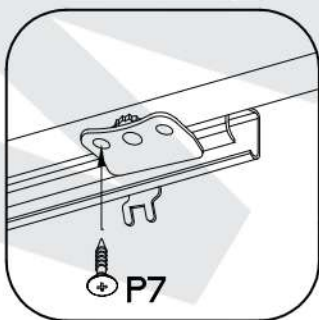
1.





2.



3.



M4x22mm		
	U	S
8		4

