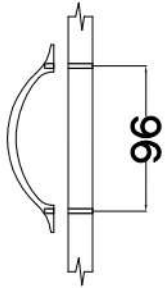


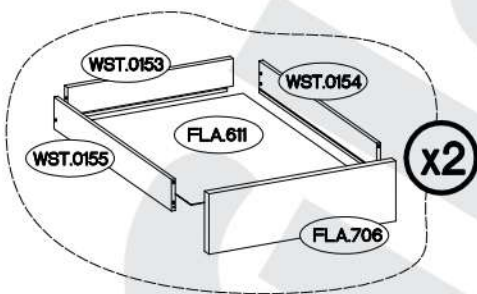
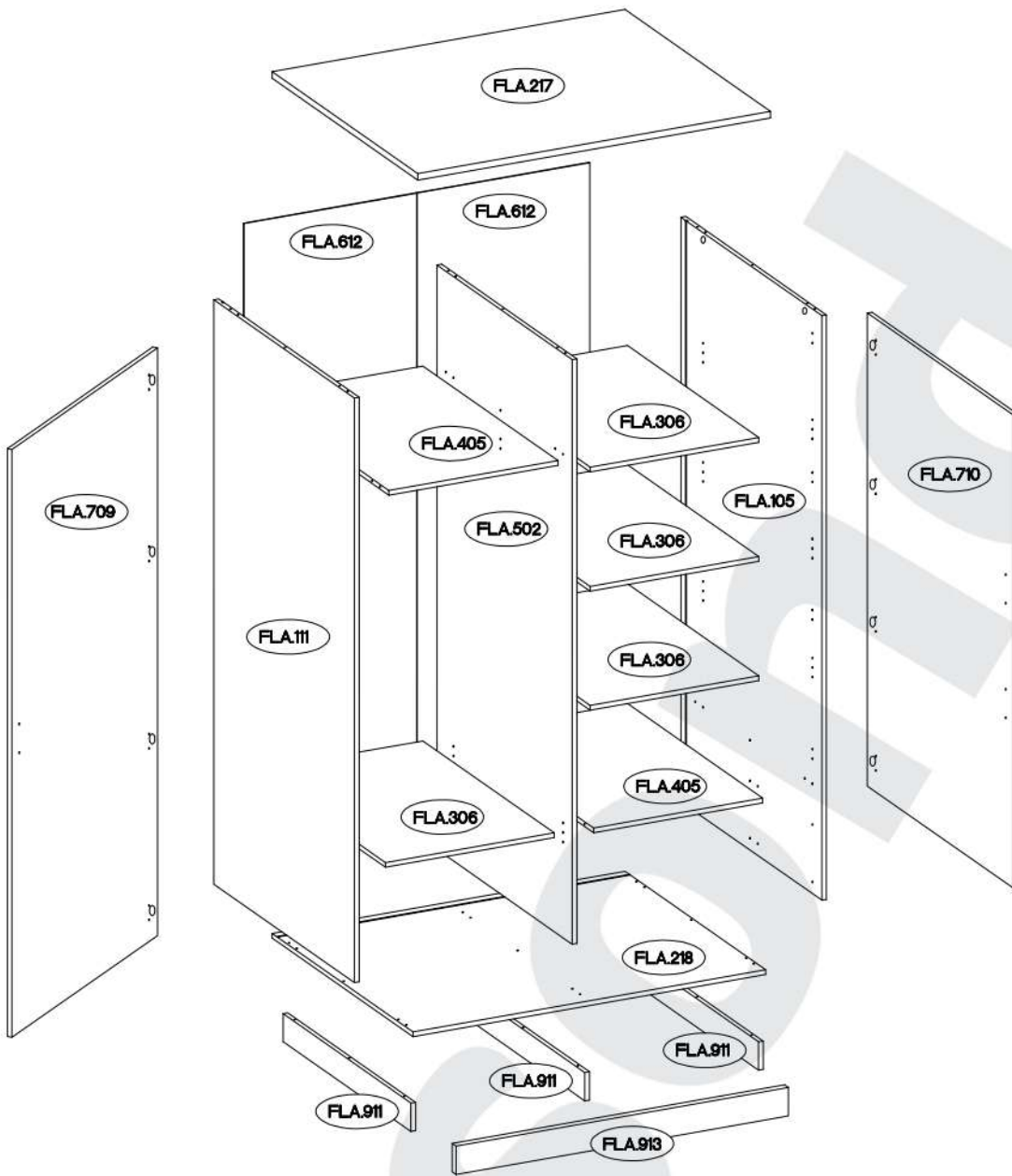
TYP 612



| | | |
|------------------|---------------------|-------------------|
| †8x30mm A | 6,4 x 50mm B | †6x42mm B2 |
| 47 | 6 | 4 |

| | | | | | | | | | | |
|---------------------|---------------------|---------------------|----------------------|--------|-------------------|----------------------|---------------------|-------------|---------|--------------------|
| †15/12mm C | †12/10mm C5 | L=20mm D2 | E | E1 | †15x5mm F4 | 6.5x48x16 F22 | †35/0mm HG | L=450mm | I11 | L=570mm J2 |
| 14 | 4 | 18 | 14 | 4 | 1 | 6 | 8 | 2 | | 1 |
| †5/16mm J3 | †20/8mm J14 | J17 | L | L2 | L19 | †6.3x13mm M2 | †6.3x20mm M3 | O | O1 | †10x50mm O7 |
| 16 | 6 | 2 | 22 | 12 | 1 | 6 | 6 | 1 | 1 | 1 |
| †4.0x16mm P1 | †3.5x13mm P5 | †3.0x20mm P7 | †5.0x60mm P12 | S | T3 | M4x22mm U | | | | |
| 10 | 20 | 25-30 | 1 | 4 | 5 | 8 | | | | |

ISM-FLA-13



FLA.611



FLA.306

FLA.405




| Colli | Ersatzteil Nummer | Dimension |
|--------------|-------------------|-------------|
| Colli 1/4 | FLA.306 x4 | 575x538x16 |
| | FLA.405 x2 | 576x553x16 |
| | FLA.611 x2 | 446x537x2,5 |
| | FLA.911 x3 | 524x95x16 |
| | WST.0154 x2 | 450x100x12 |
| | WST.0155 x2 | 450x100x12 |
| | WST.0153 x2 | 527x100x12 |

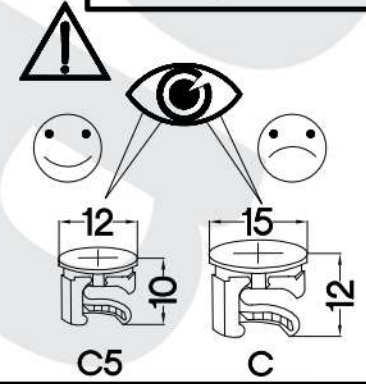
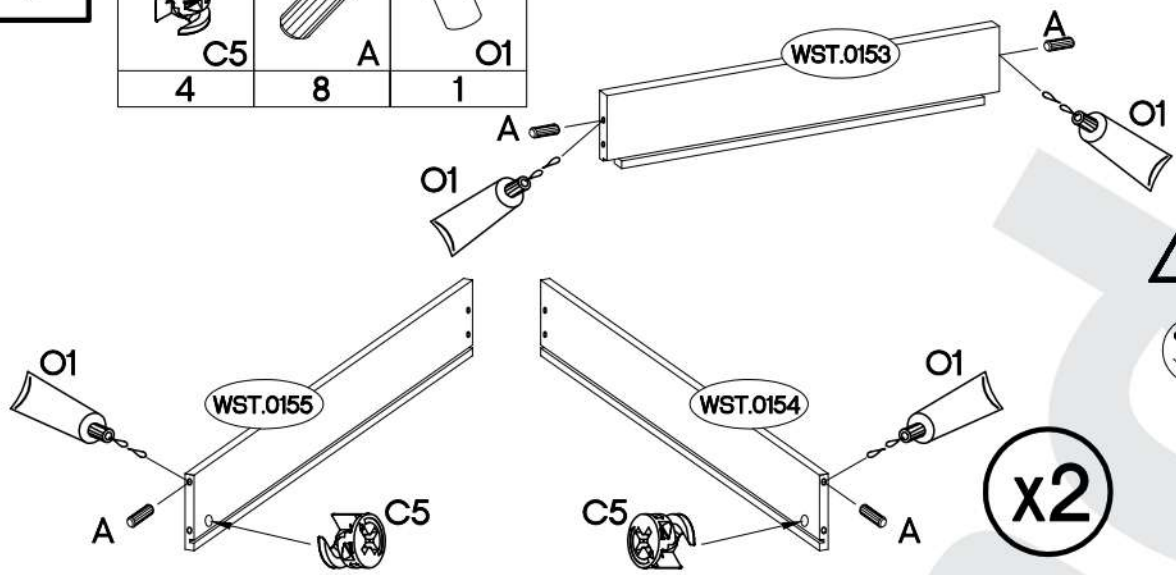
| Colli | Ersatzteil Nummer | Dimension |
|--------------|-------------------|-------------|
| Colli 2/4 | FLA.217 | 1202x596x22 |
| | FLA.218 | 1202x576x16 |
| | FLA.913 | 1132x95x16 |

| Colli | Ersatzteil Nummer | Dimension |
|--------------|-------------------|--------------|
| Colli 3/4 | FLA.105 | 1962x576x16 |
| | FLA.111 | 1962x576x16 |
| | FLA.502 | 1962x554x16 |
| | FLA.612 x2 | 1971x588x2,5 |

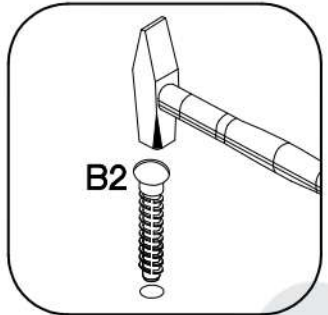
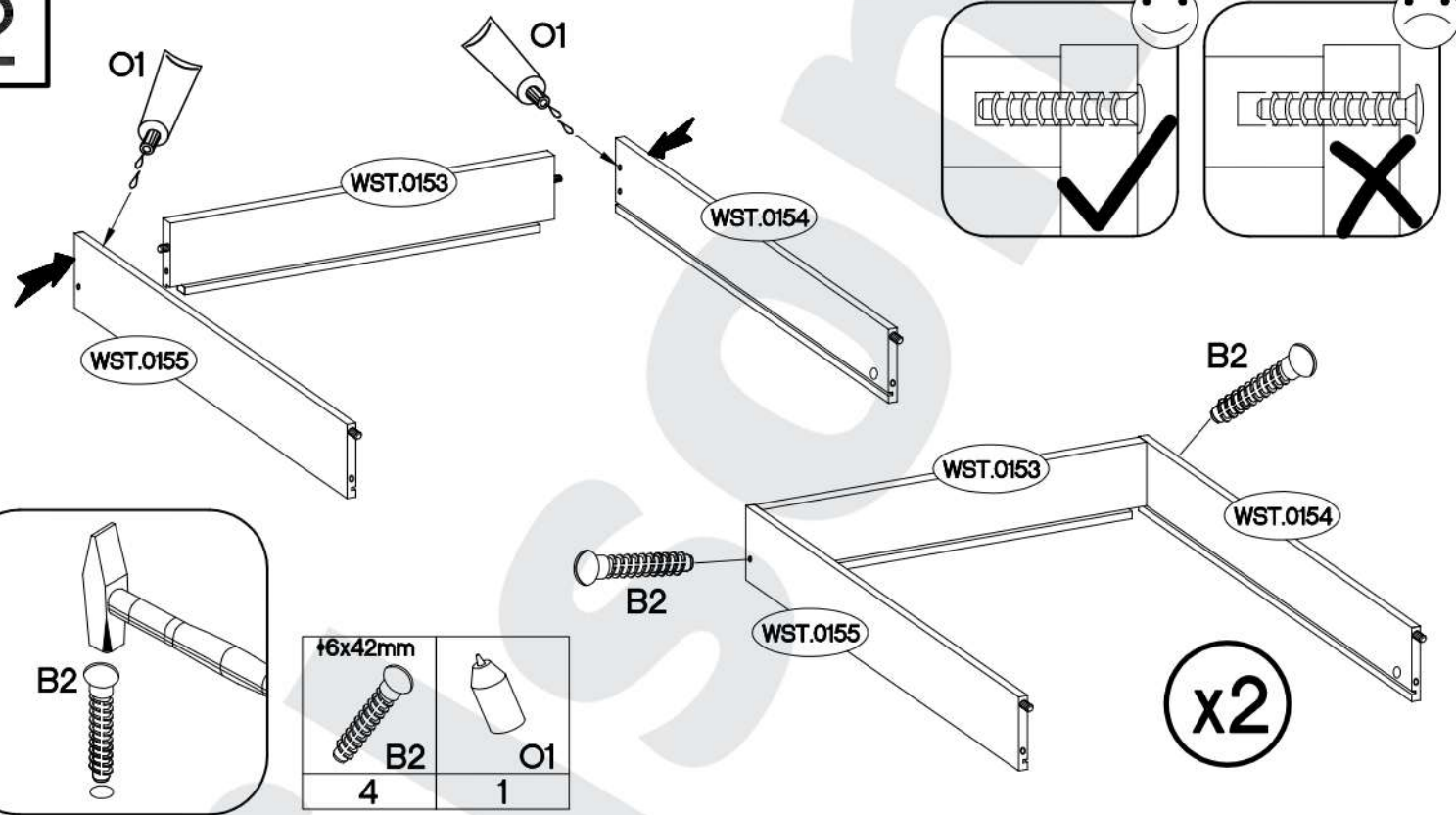
| Colli | Ersatzteil Nummer | Dimension |
|--------------|-------------------|-------------|
| Colli 4/4 | FLA.706 x2 | 189x596x16 |
| | FLA.709 | 1973x596x16 |
| | FLA.710 | 1588x596x16 |



1

| | | |
|---|---|---|
| #12/10mm  C5 4 | #8x30mm  A 8 |  O1 1 |
|---|---|---|



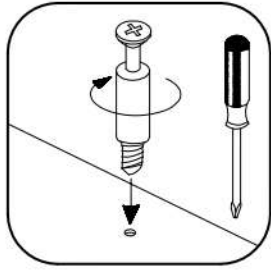
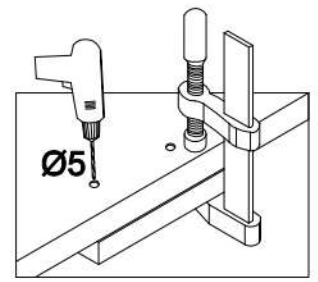
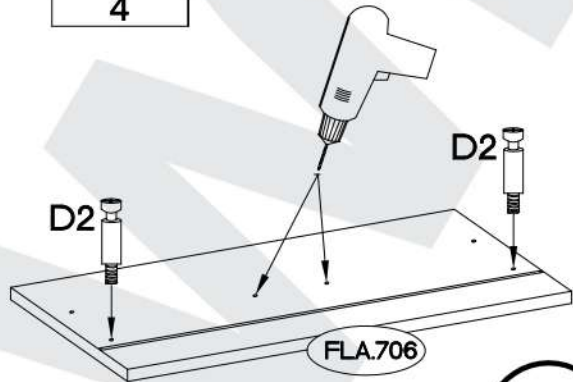
2



| | |
|---|--|
| #6x42mm  B2 4 |  O1 1 |
|---|--|

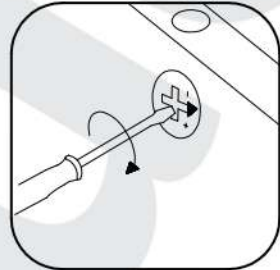
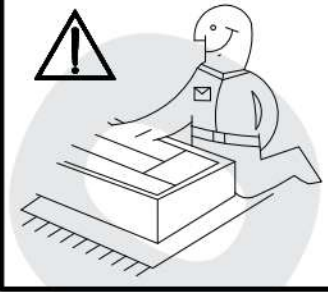
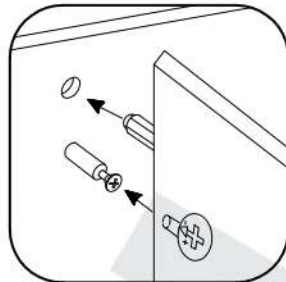
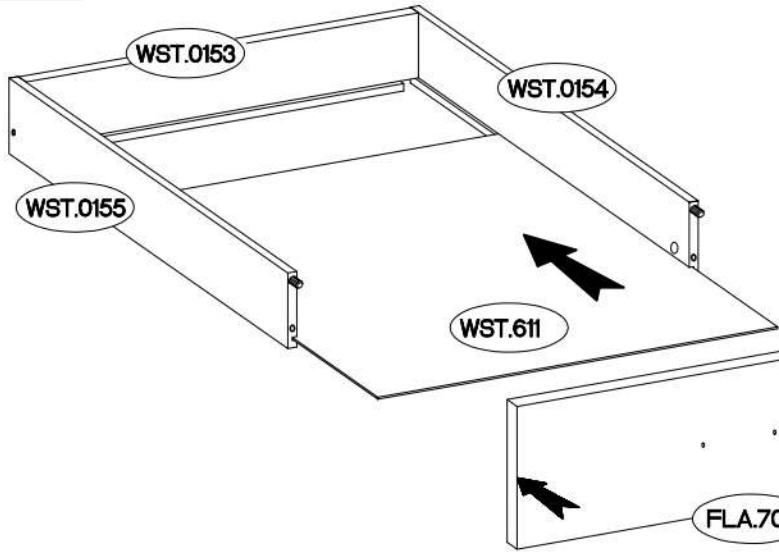
3

| |
|--|
| L=20mm  D2 4 |
|--|

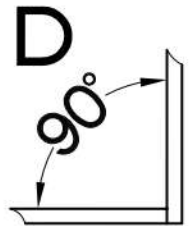
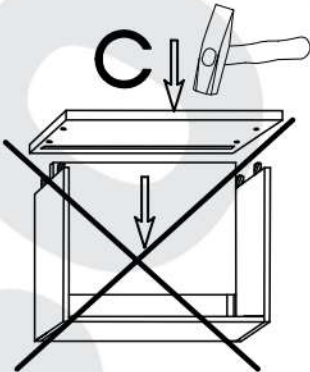
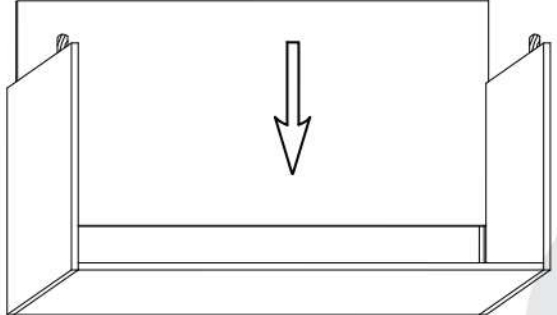
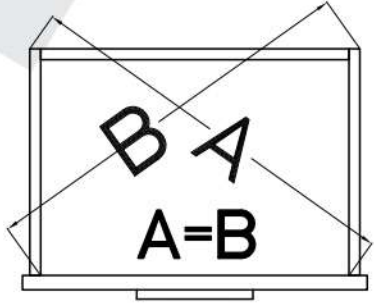
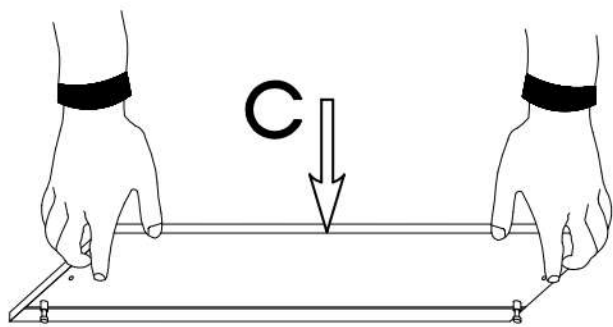


x2

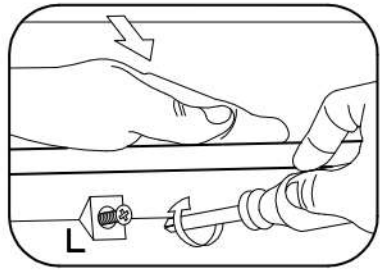
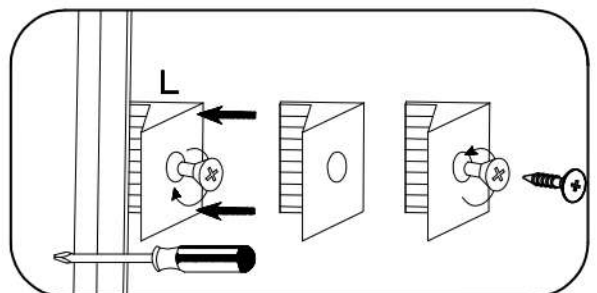
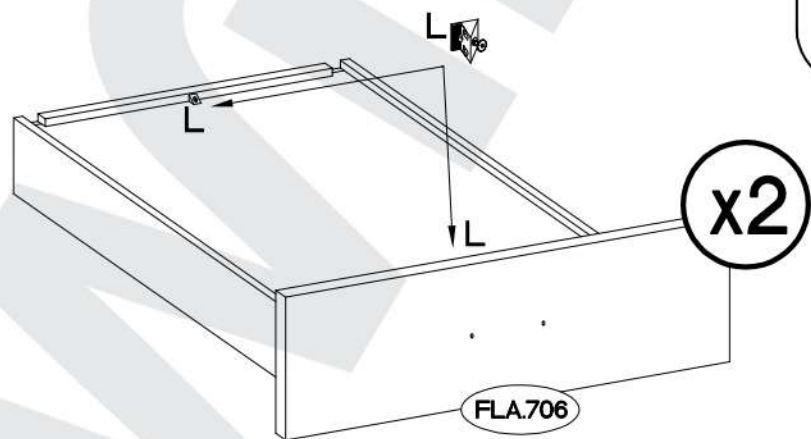
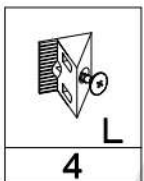
4




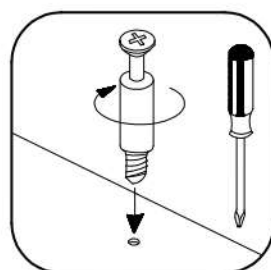
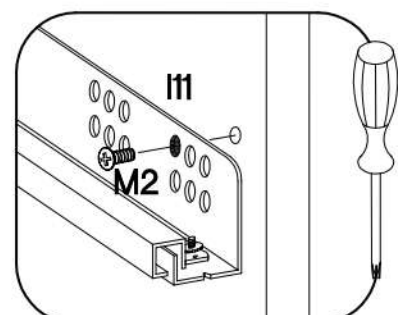
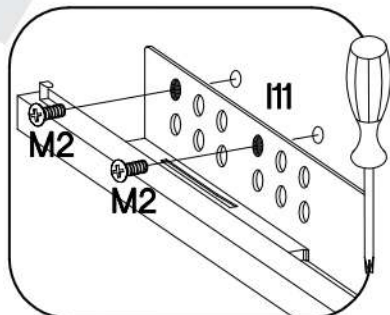
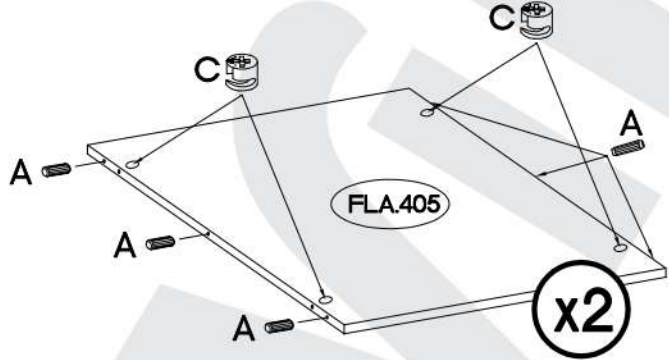
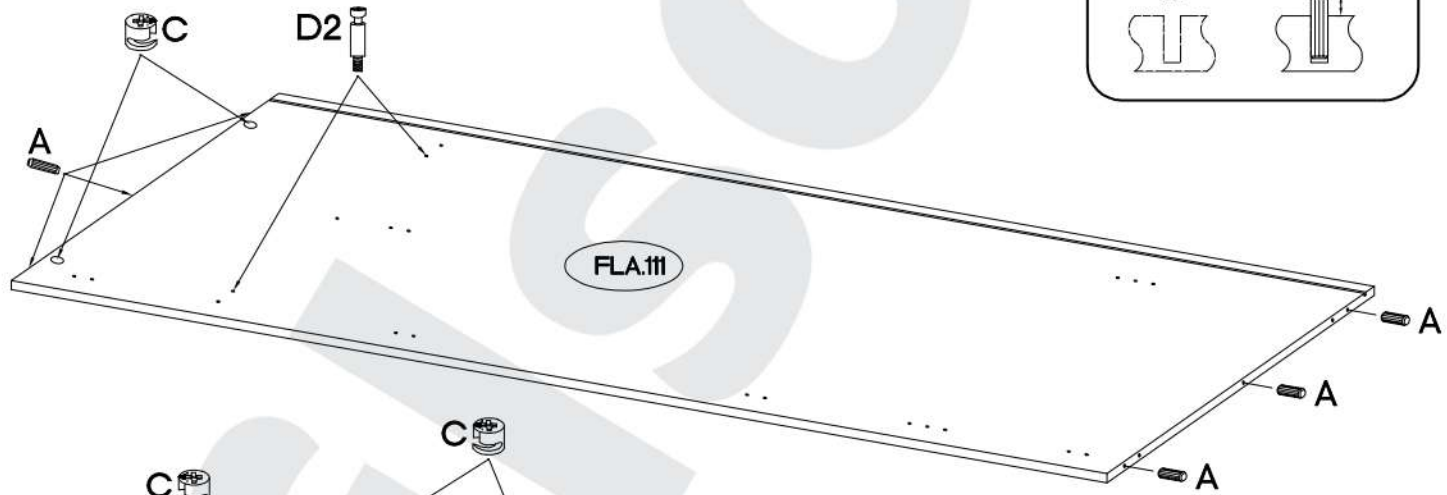
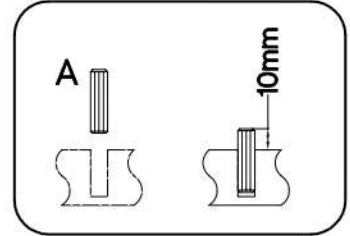
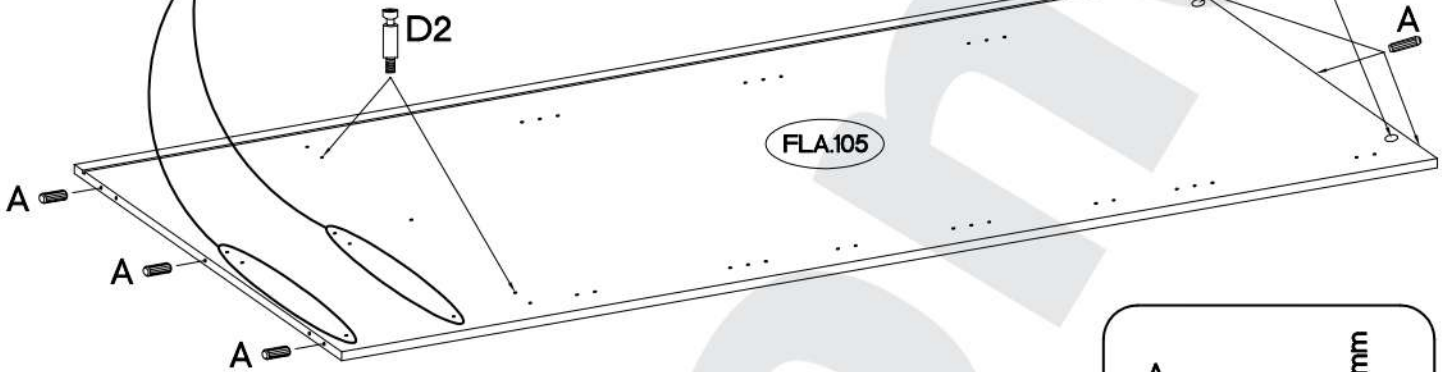
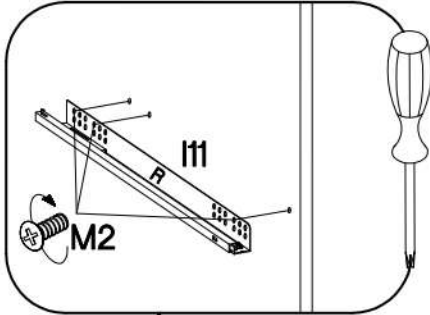
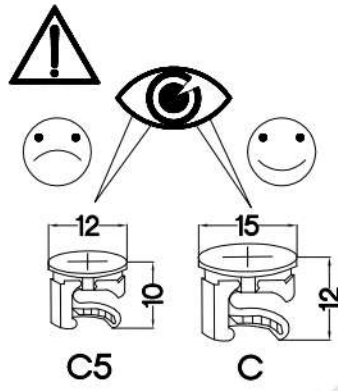
x2









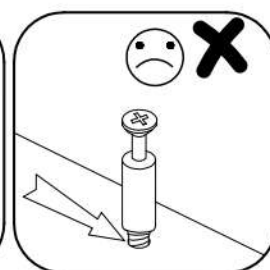
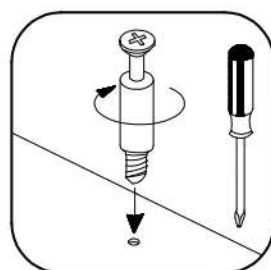
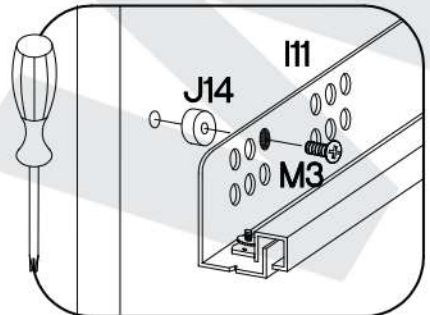
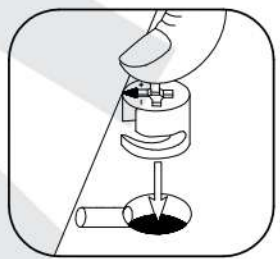
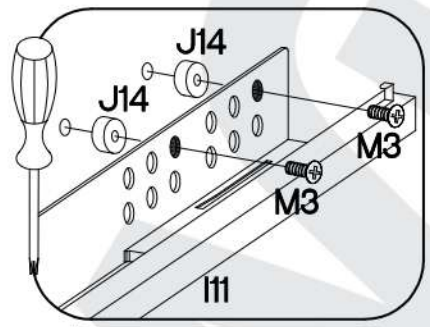
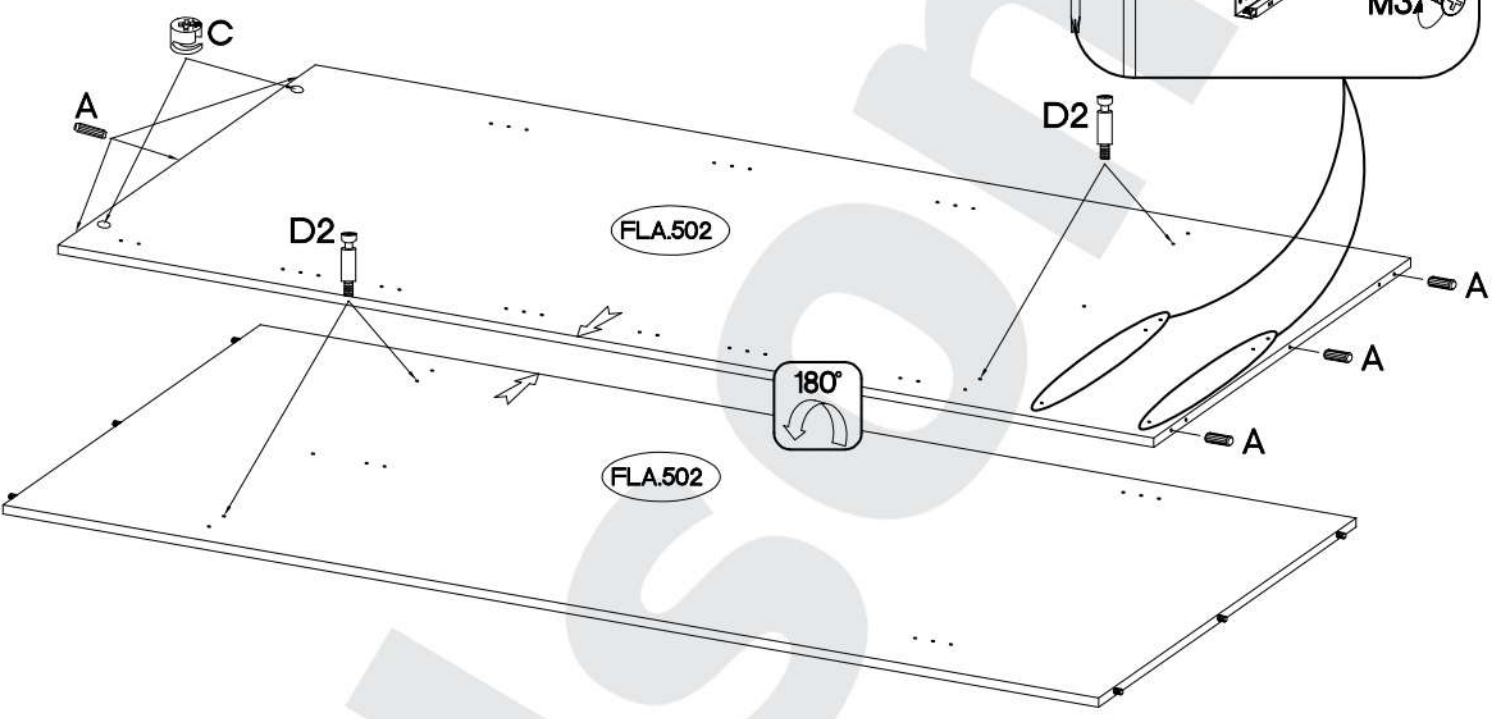
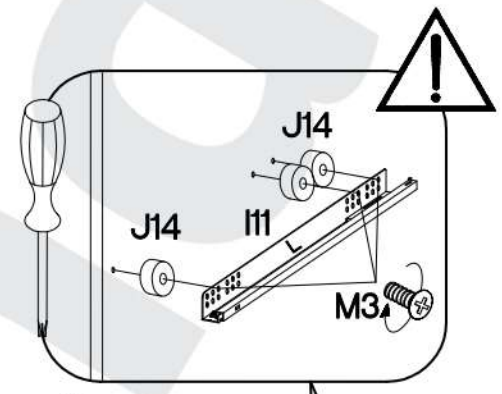
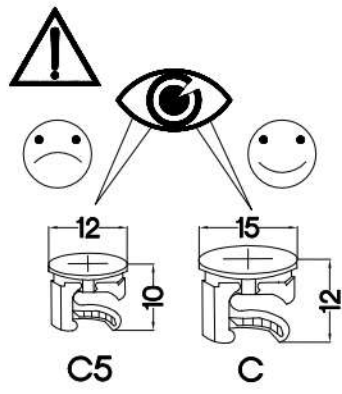
5



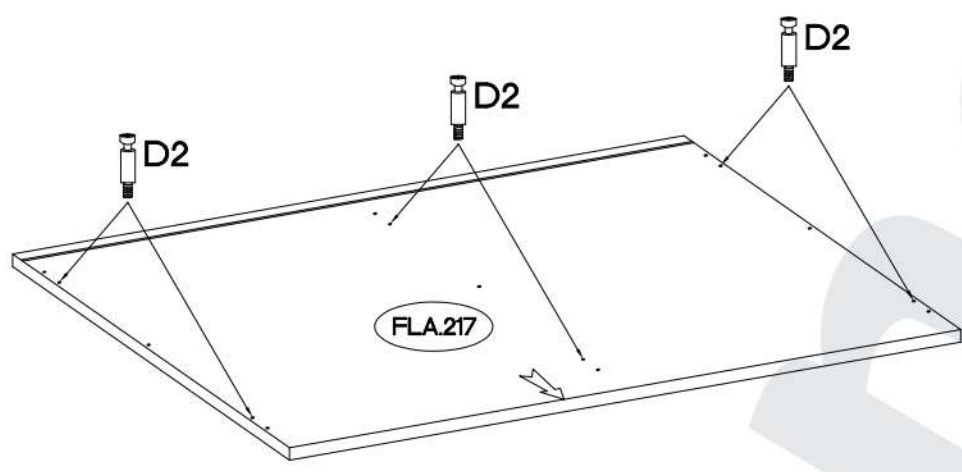
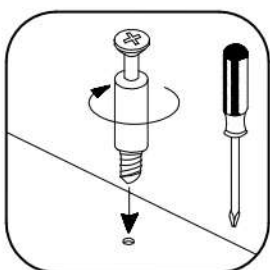
| | | | | |
|--|--|---|---|--|
| $\pm 8 \times 30 \text{mm}$  A 24 | $\pm 15 / 12 \text{mm}$  C 12 | L=20mm  D2 4 | L=450mm  I11 2 | $\pm 6.3 \times 13 \text{mm}$  M2 6 |
|--|--|---|---|--|



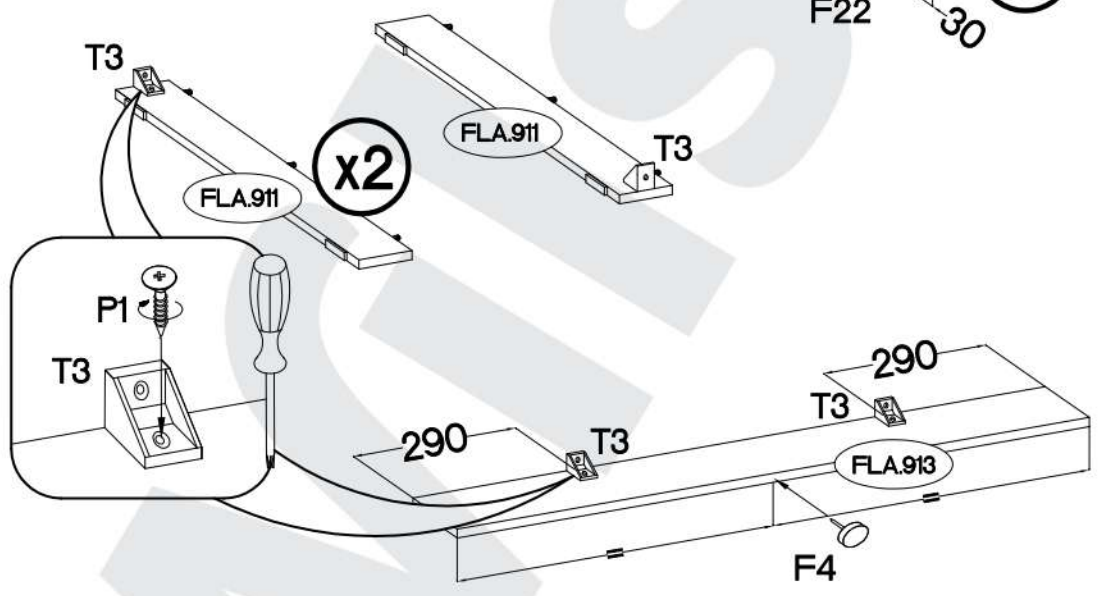
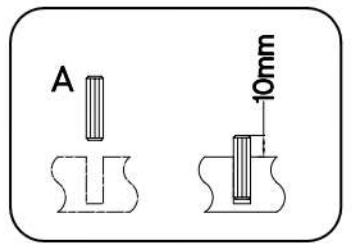
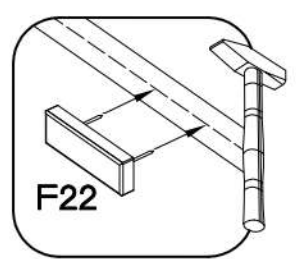
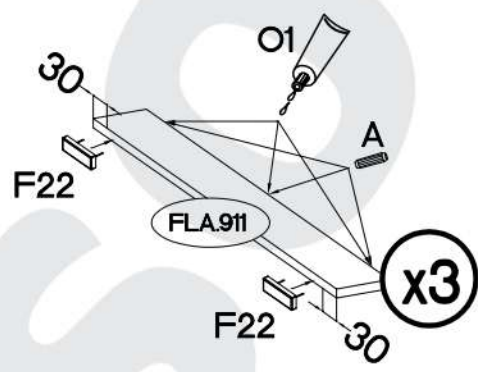
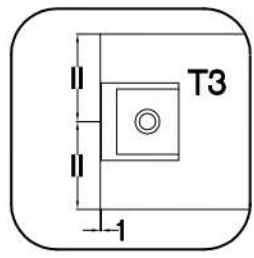
| | | | | | |
|--|--|--|---|---|---|
| $\pm 8 \times 30 \text{mm}$  A | $\pm 15 / 12 \text{mm}$  C | $L=450 \text{mm}$  L R I1 | $\pm 6.3 \times 20 \text{mm}$  M3 | $\pm 20 / 8 \text{mm}$  J14 | $L=20 \text{mm}$  D2 |
| 6 | 2 | 2 | 6 | 6 | 4 |



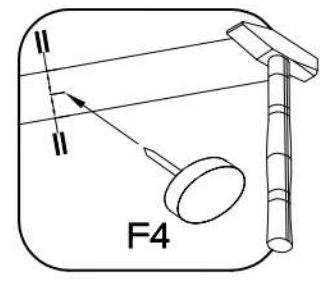
8



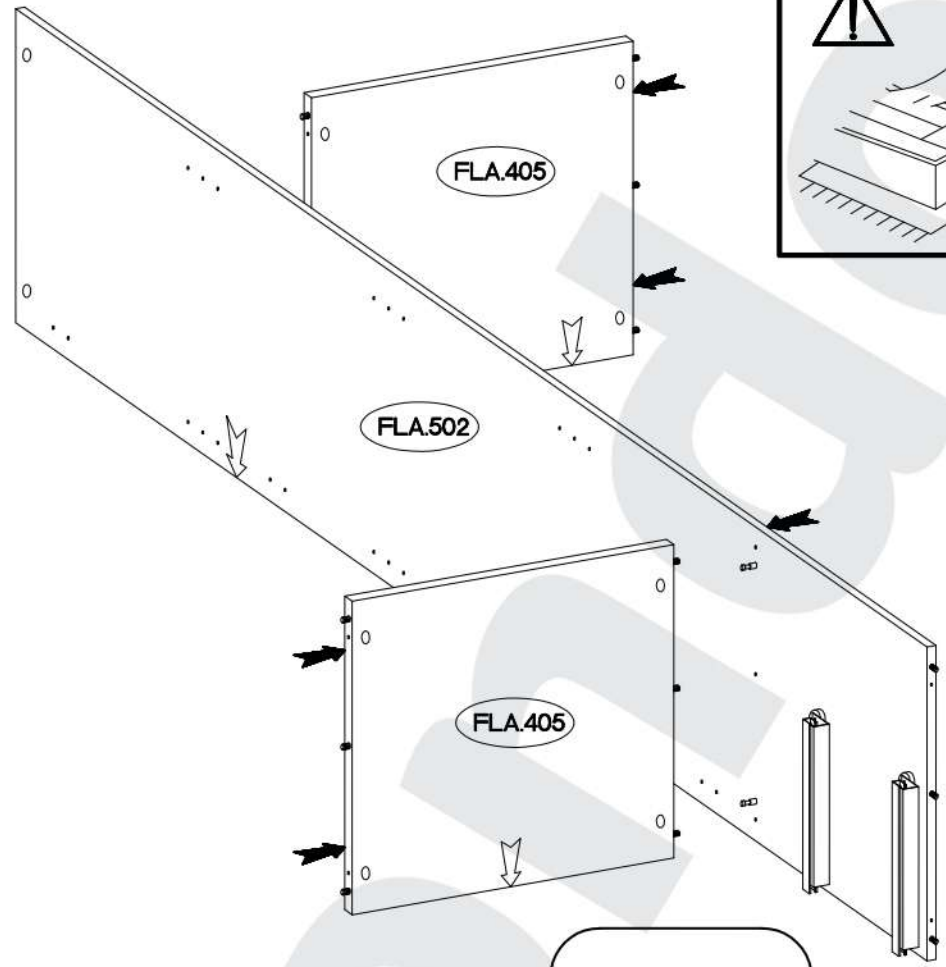
9



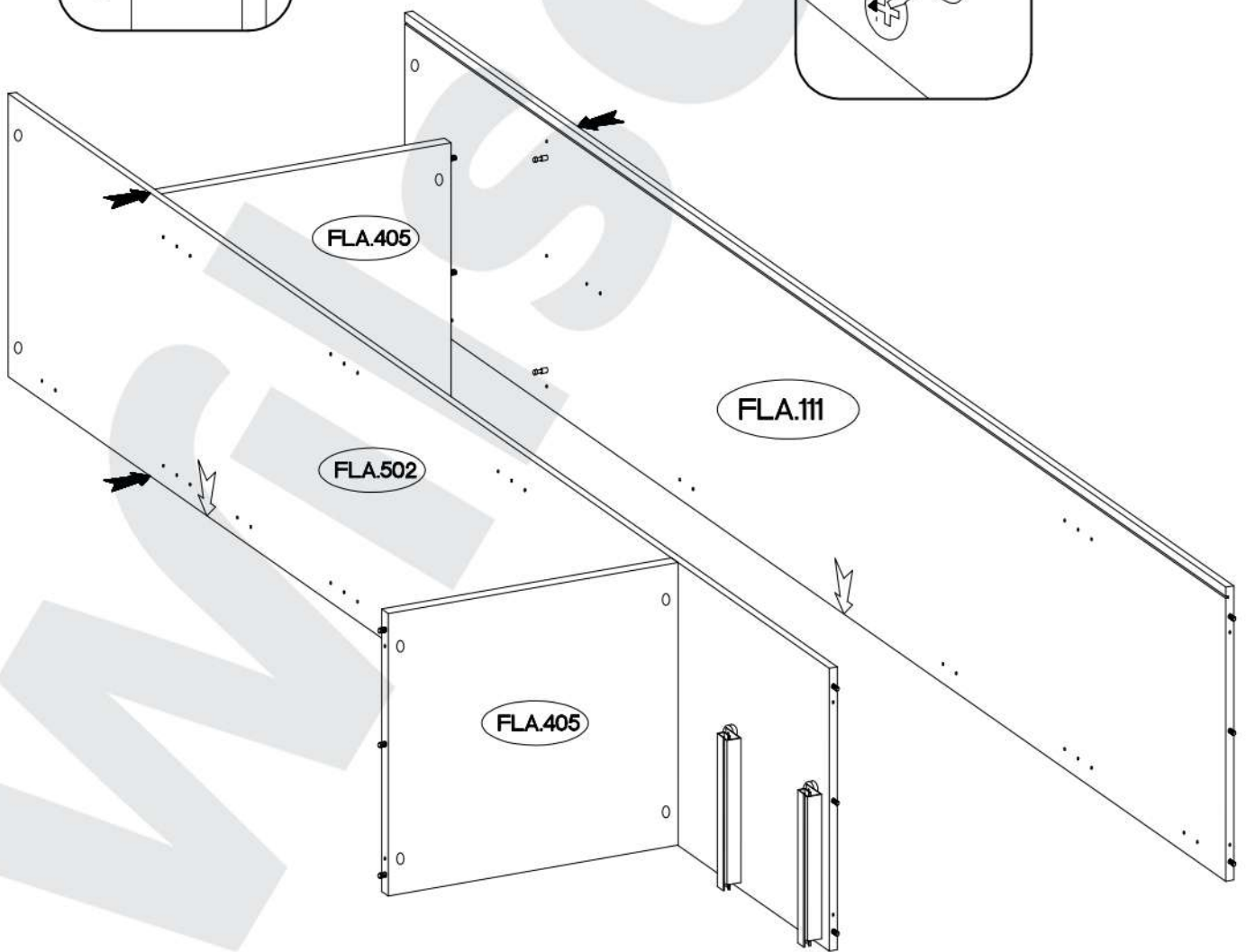
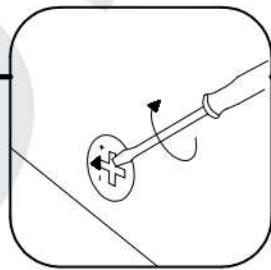
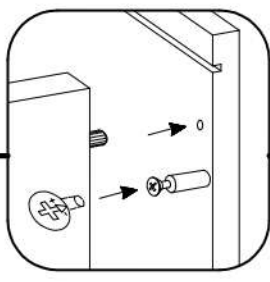
| | | | | | |
|----|-------------------------------|---------------------------|-----------------------------|----|-----------------------------|
| | $\pm 4.0 \times 16 \text{mm}$ | $6.5 \times 48 \times 16$ | $\pm 15 \times 5 \text{mm}$ | | $\pm 8 \times 30 \text{mm}$ |
| T3 | P1 | F22 | F4 | O1 | A |
| 5 | 5 | 6 | 1 | 1 | 9 |



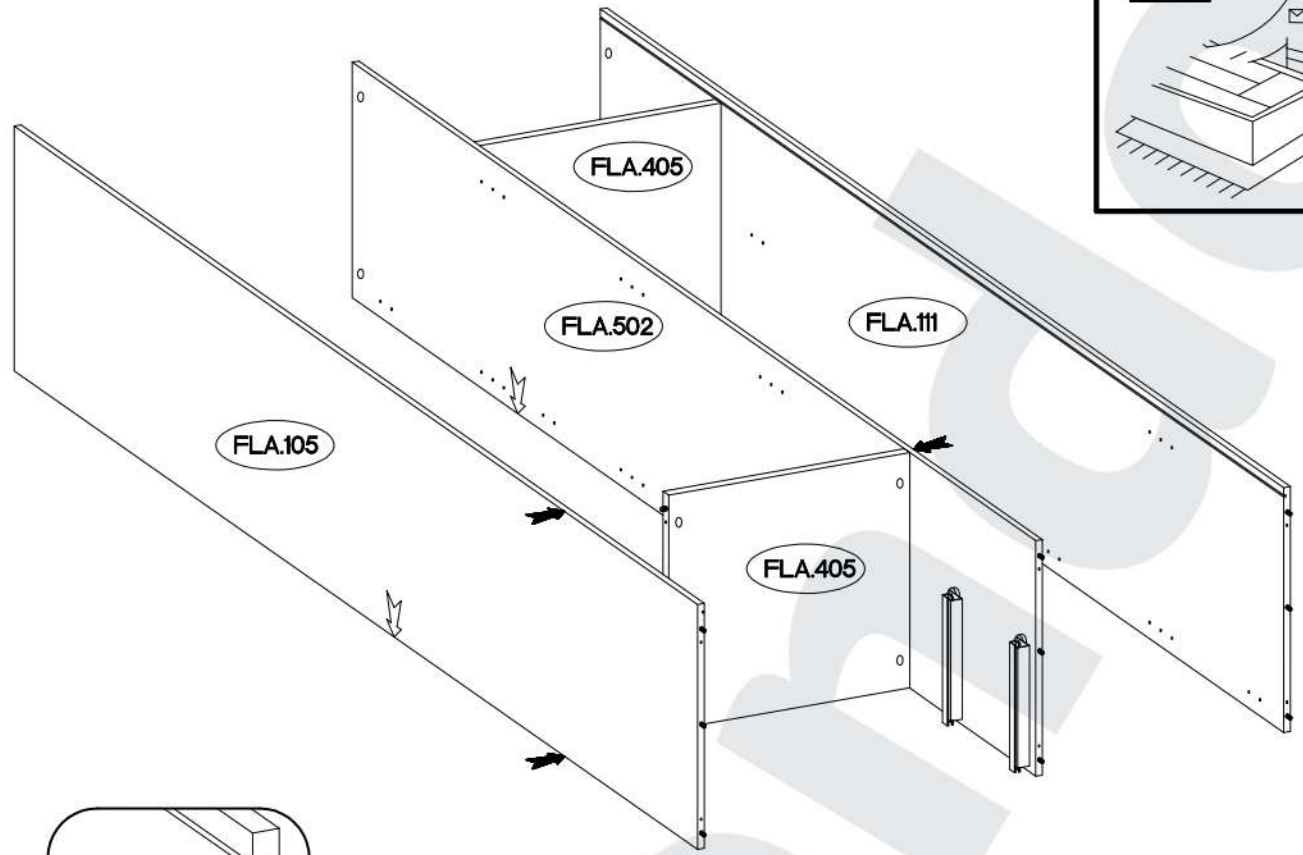
10



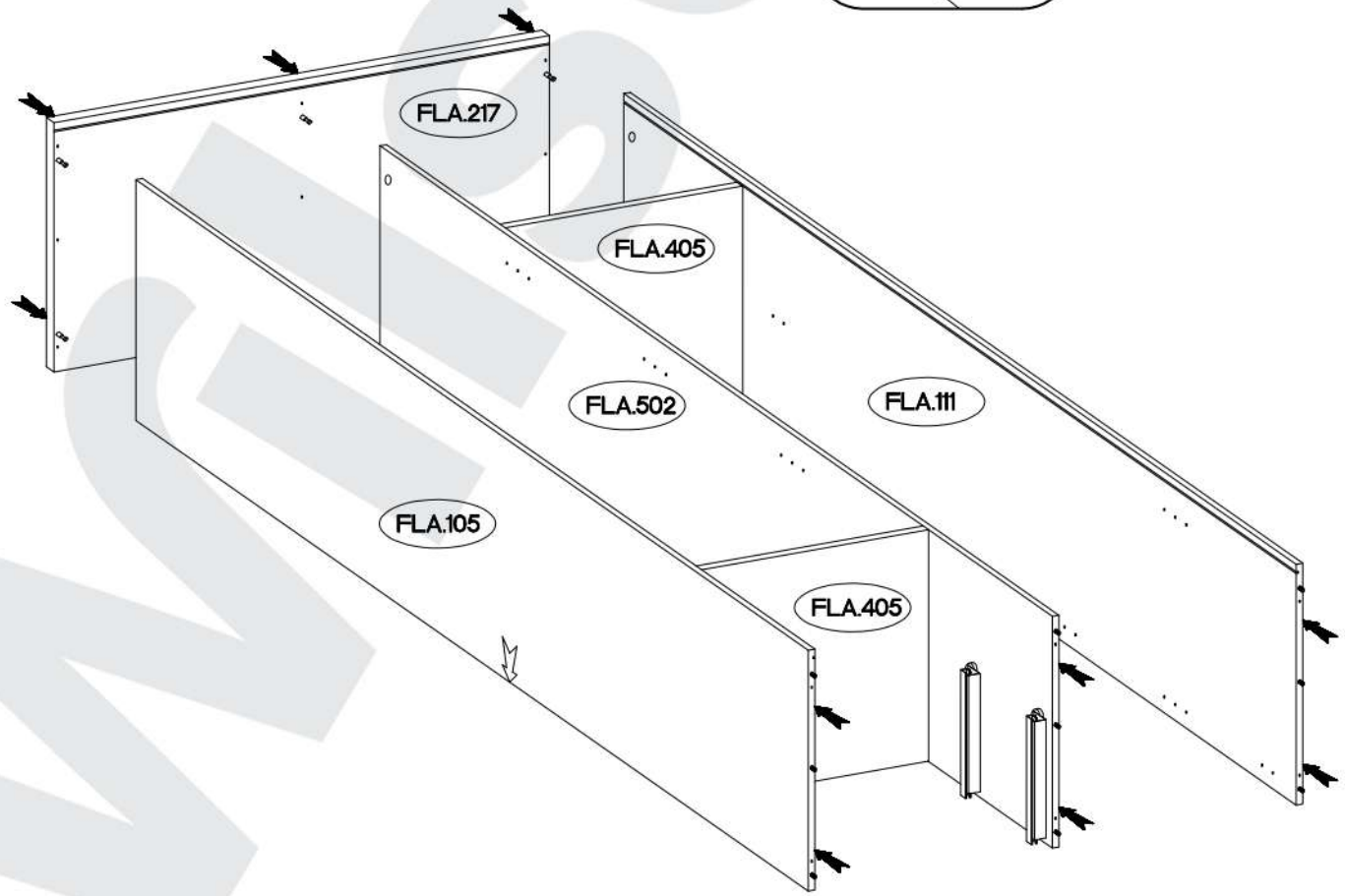
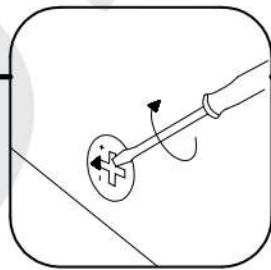
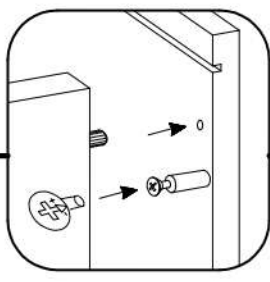
11

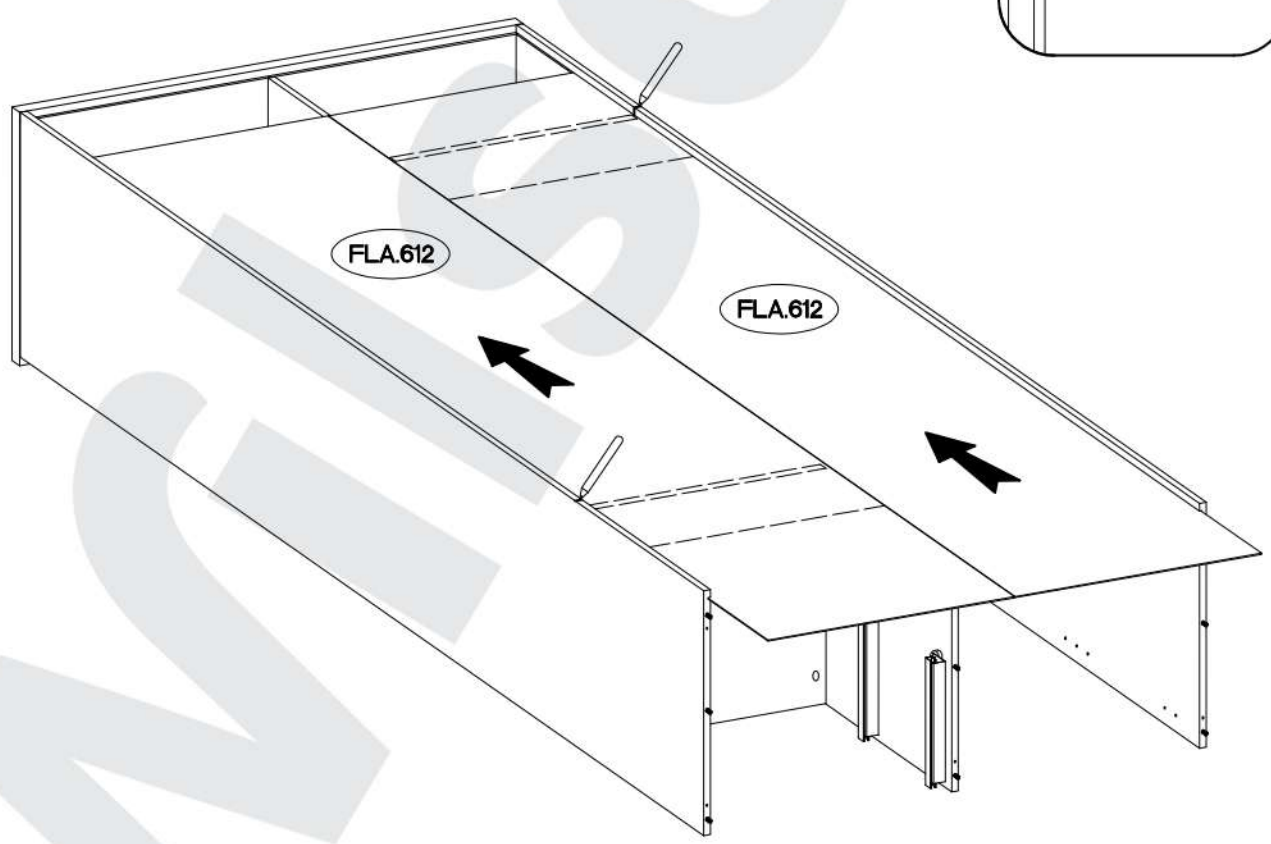
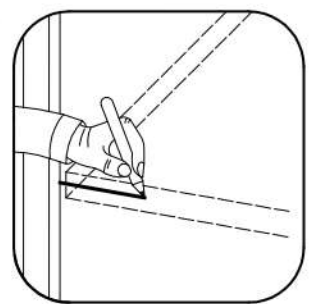
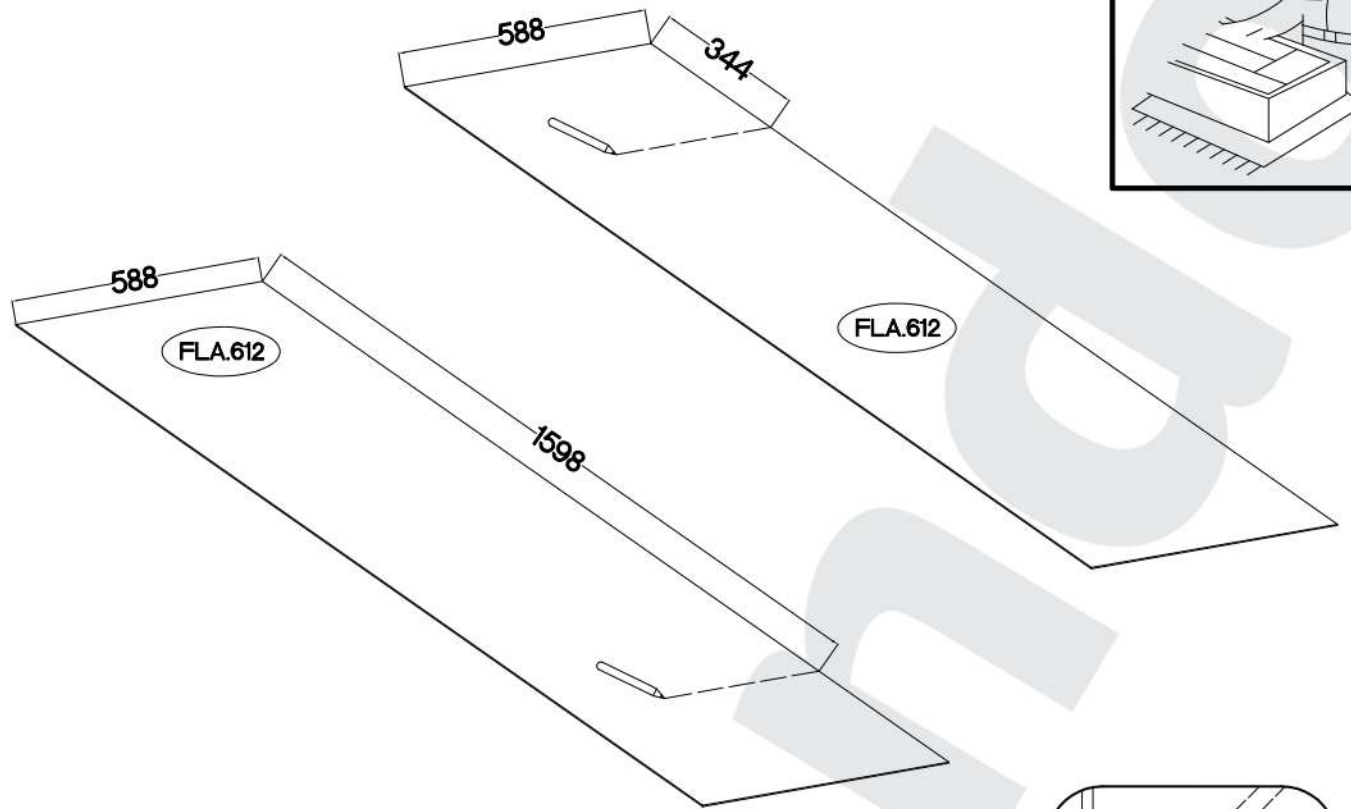
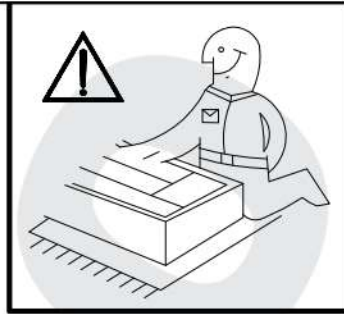


12

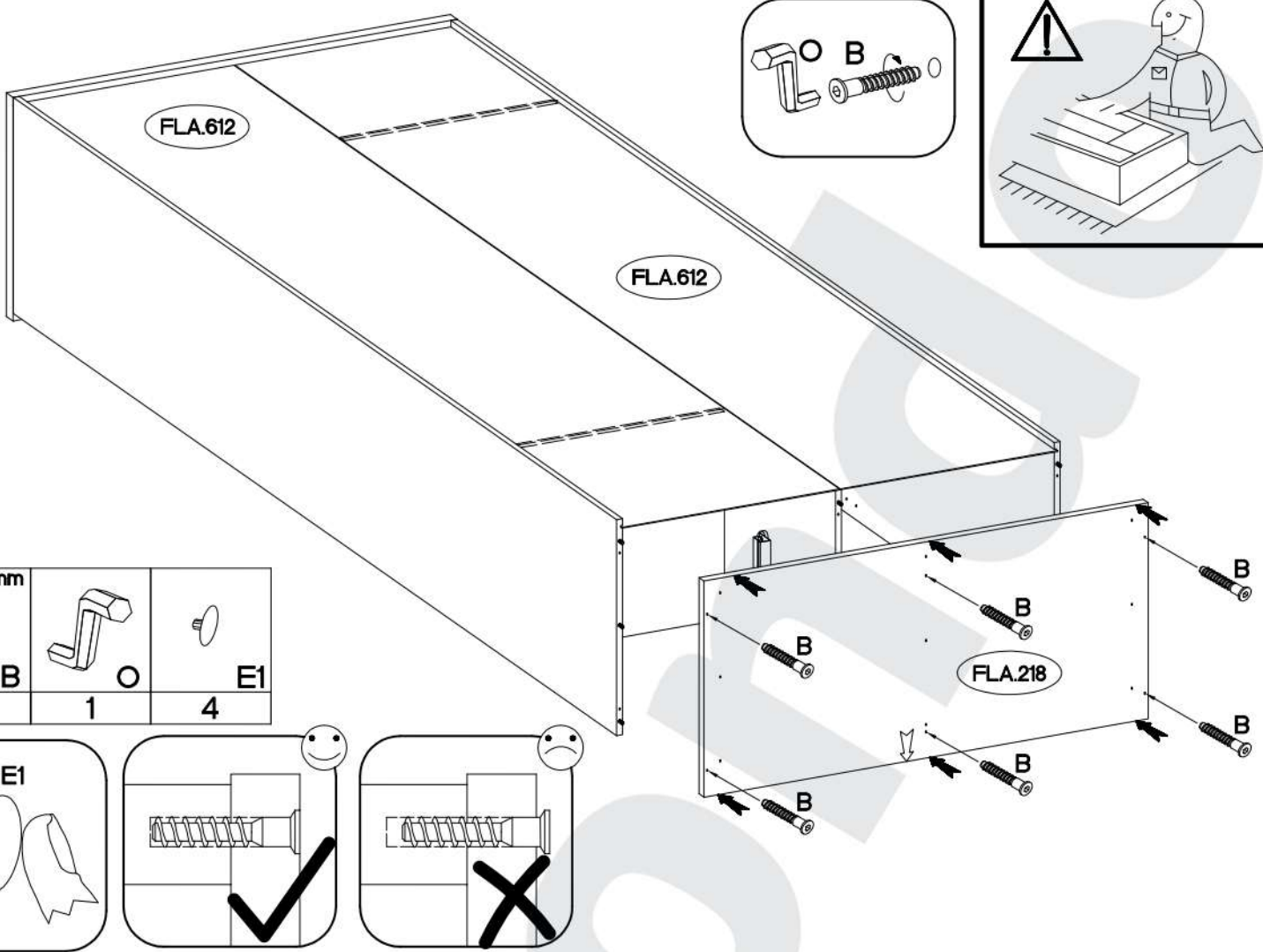


13

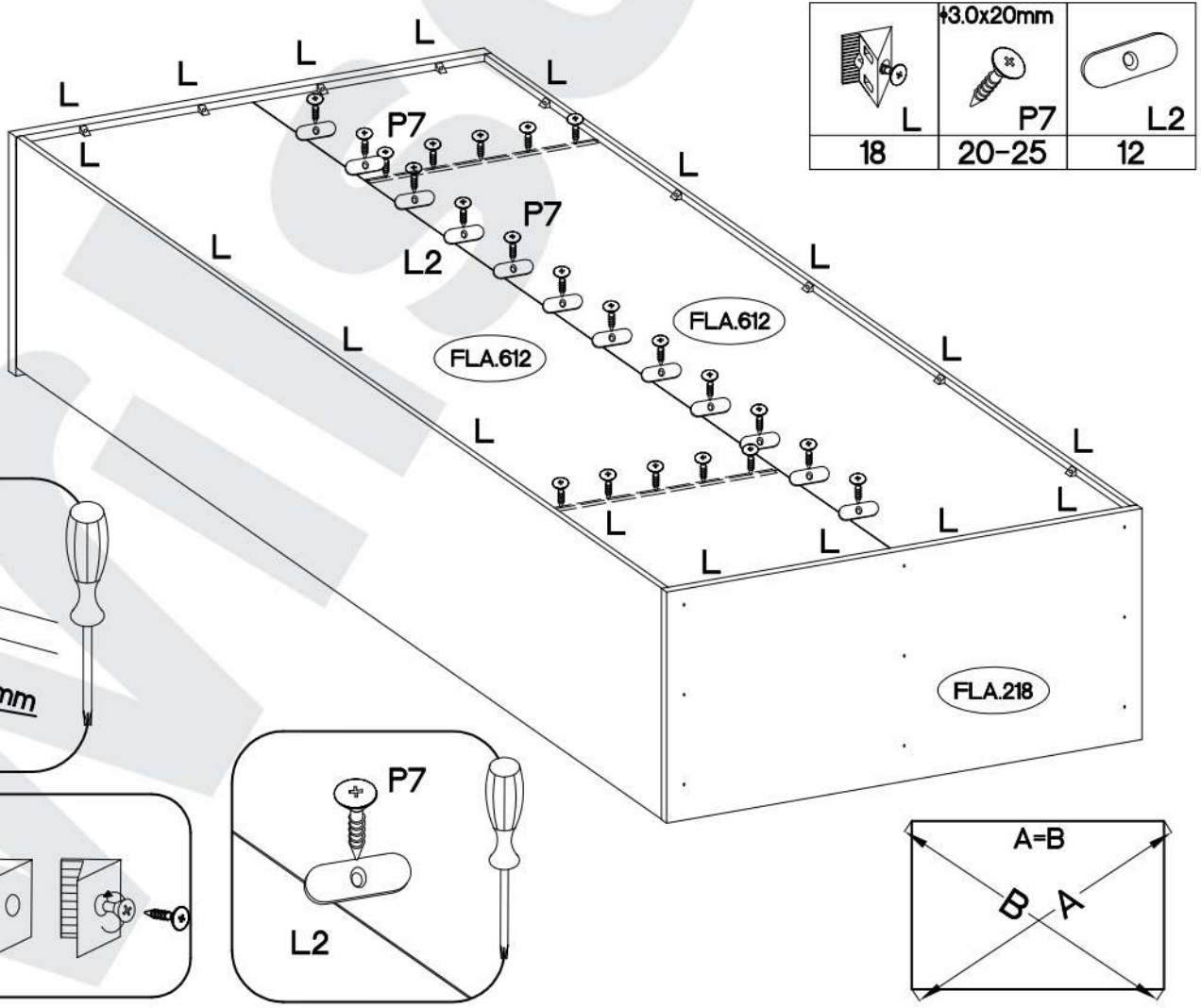




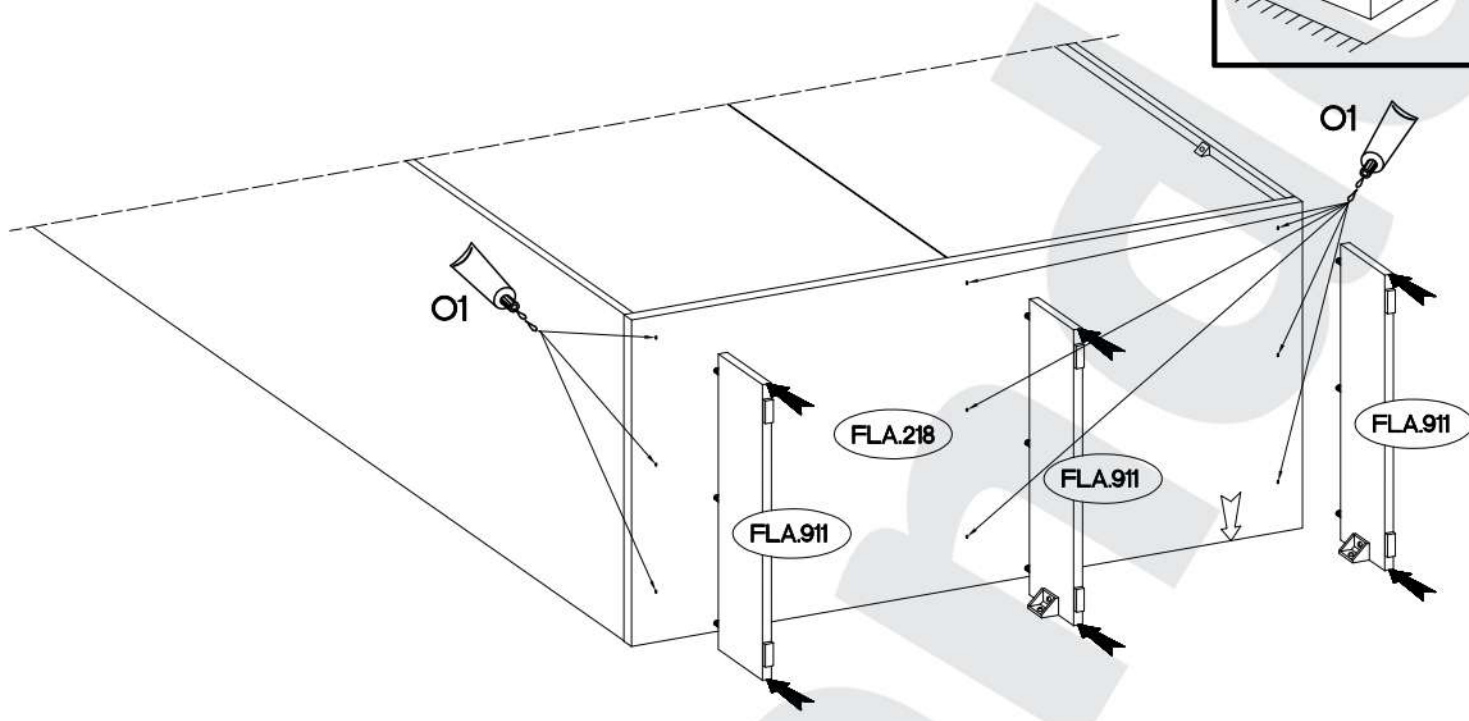
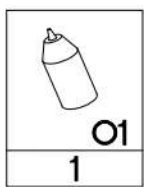
15



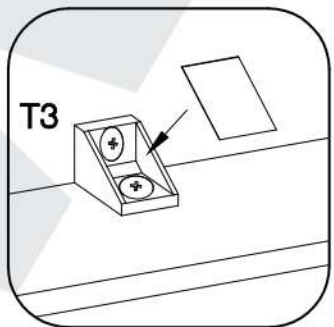
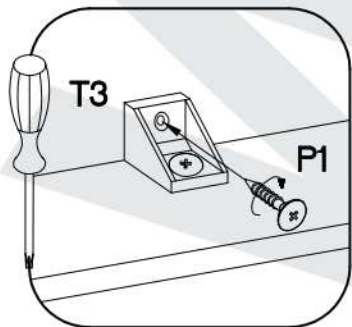
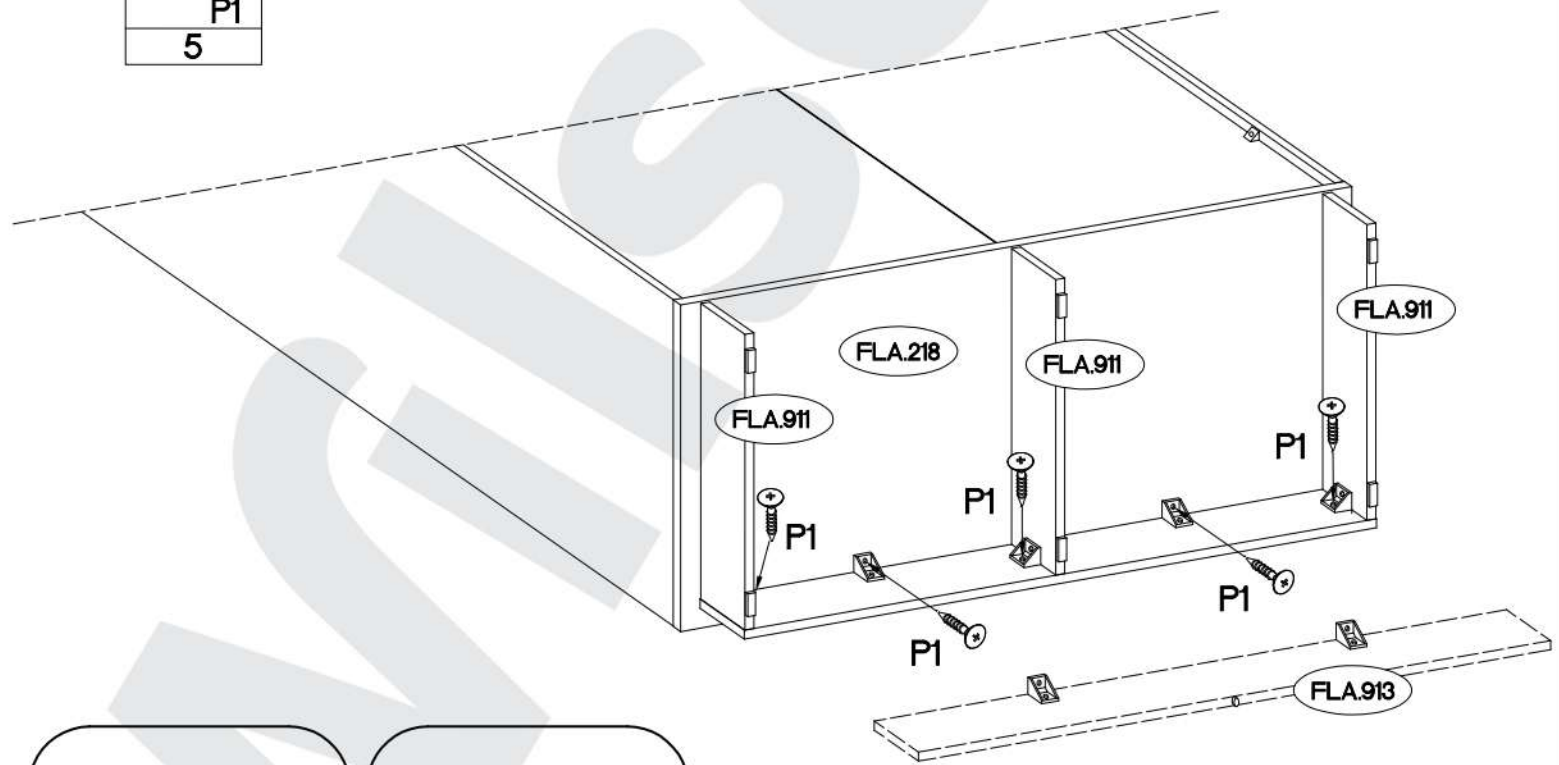
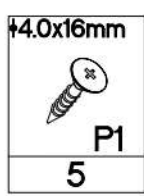
16







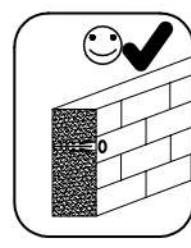
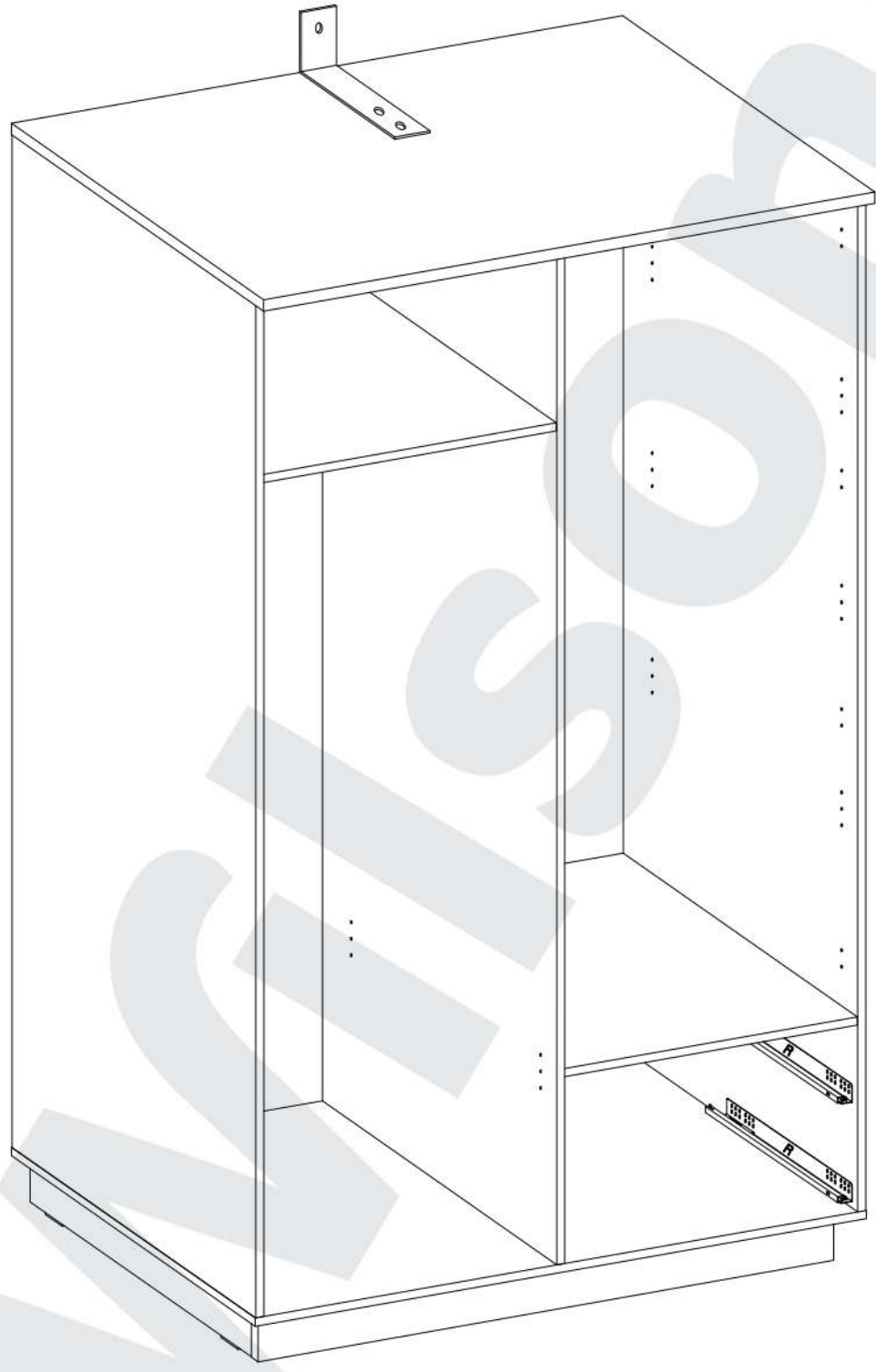
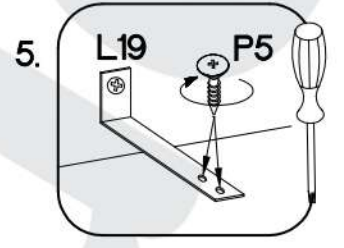
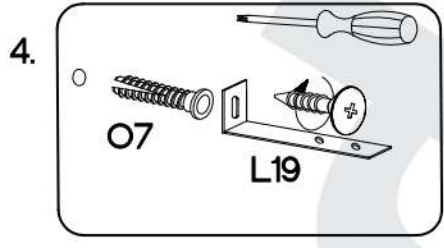
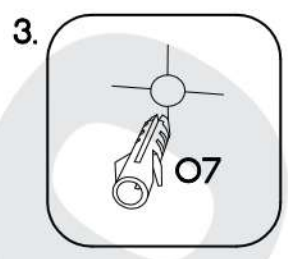
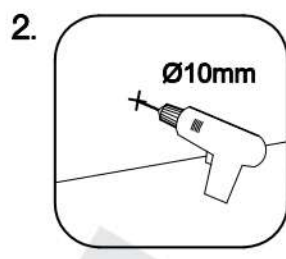
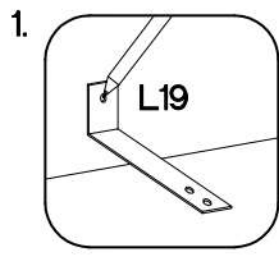
17







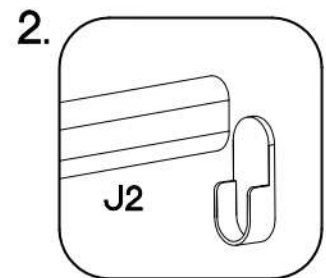
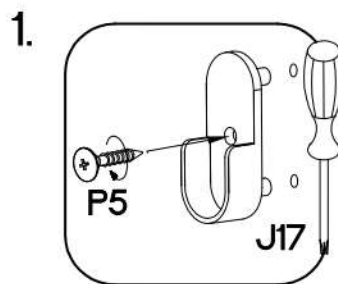
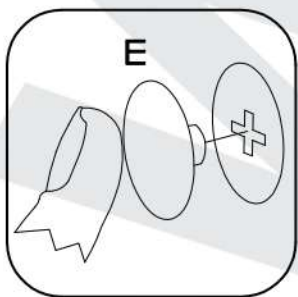
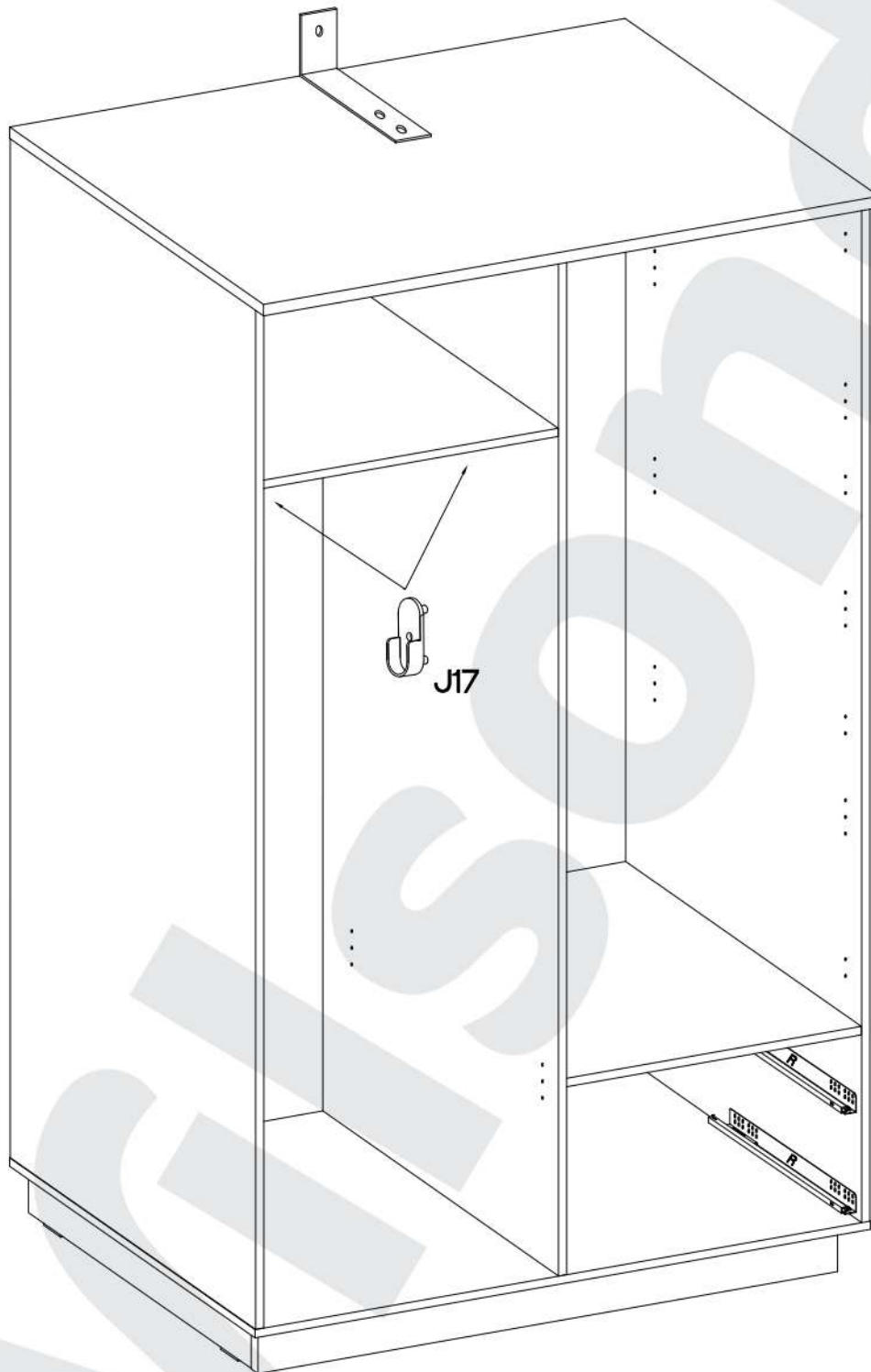
18




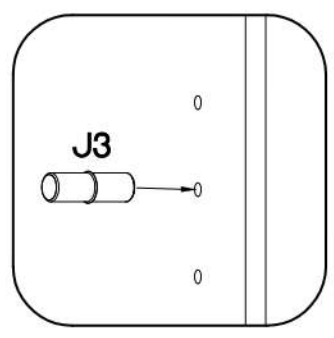
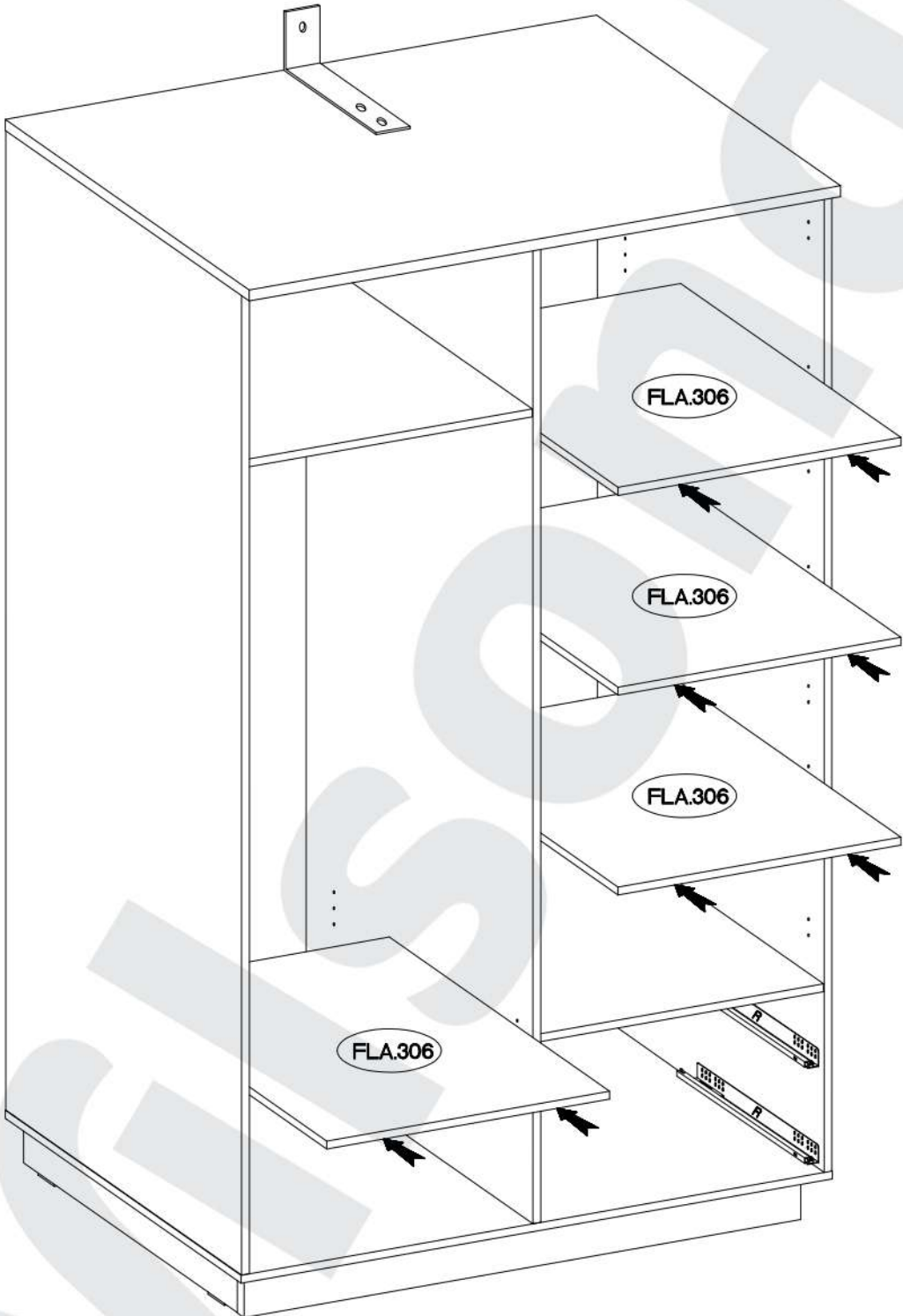
| | ↑3.5x13mm | ↑5.0x60mm | ↑10x50mm |
|--|---|---|---|
|  |  |  |  |
| L19 | P5 | P12 | O7 |
| 1 | 2 | 1 | 1 |

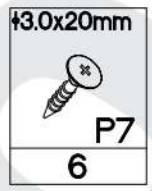


| | | | |
|--|--|---|---|
| L=570mm  J2 1 |  J17 2 | 3.5x13mm  P5 2 |  E 14 |
|--|--|---|---|

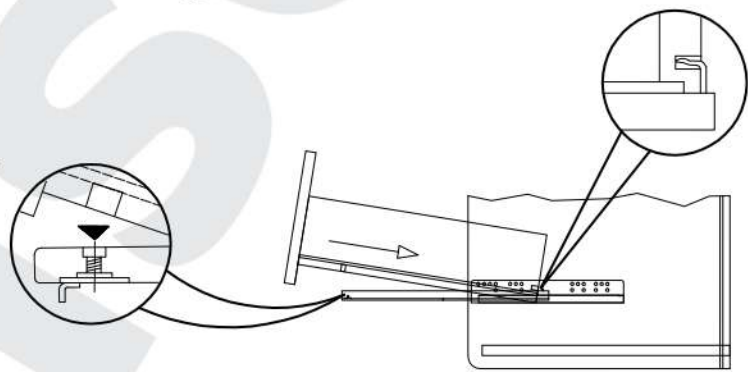


±5/16mm

J3
16

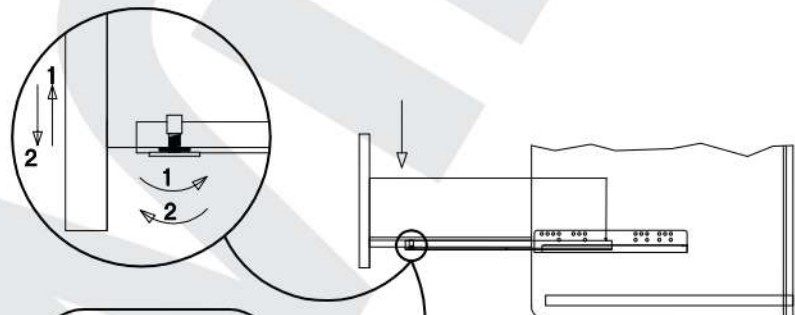




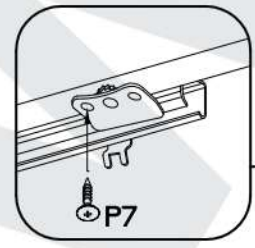
1.



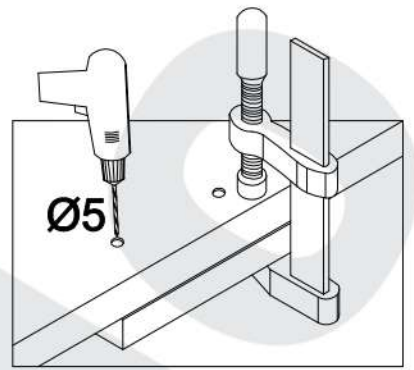
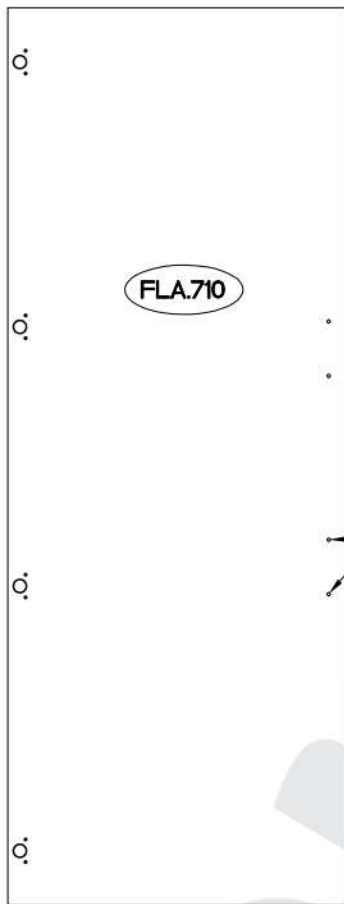
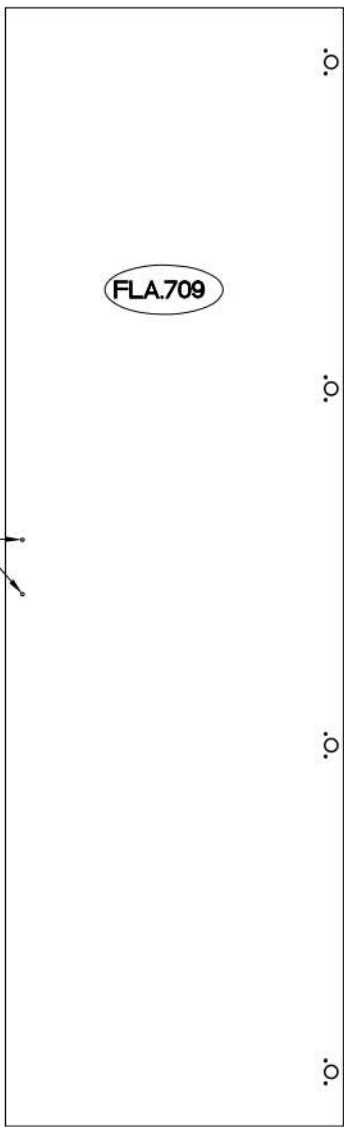
2.





3.

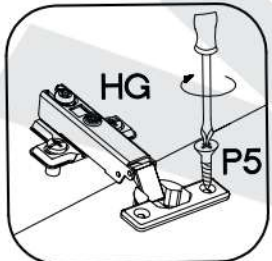
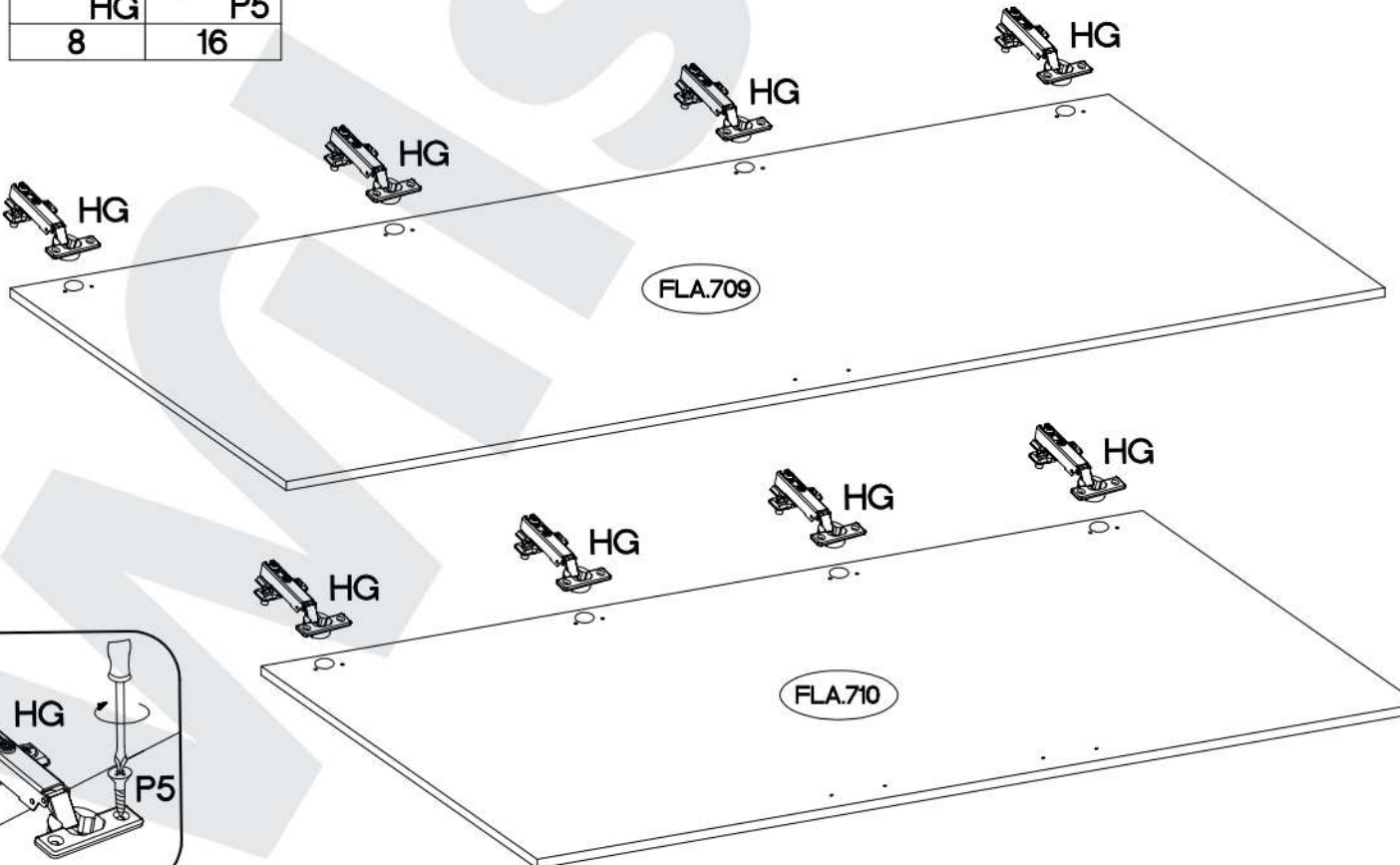


23



24

| | |
|---|--|
|  †35/0mm HG 8 |  †3.5x13mm P5 16 |
|---|--|



M4x22mm



8



4

