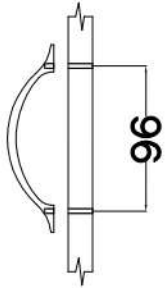


TYP 610



†8x30mm	6,4 x 50mm
A	B

†6x42mm	†15/12mm	†12/10mm
B2	C	C5
4	20	4

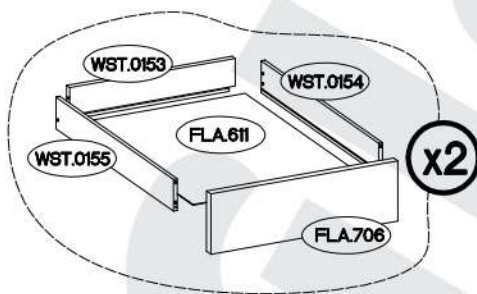
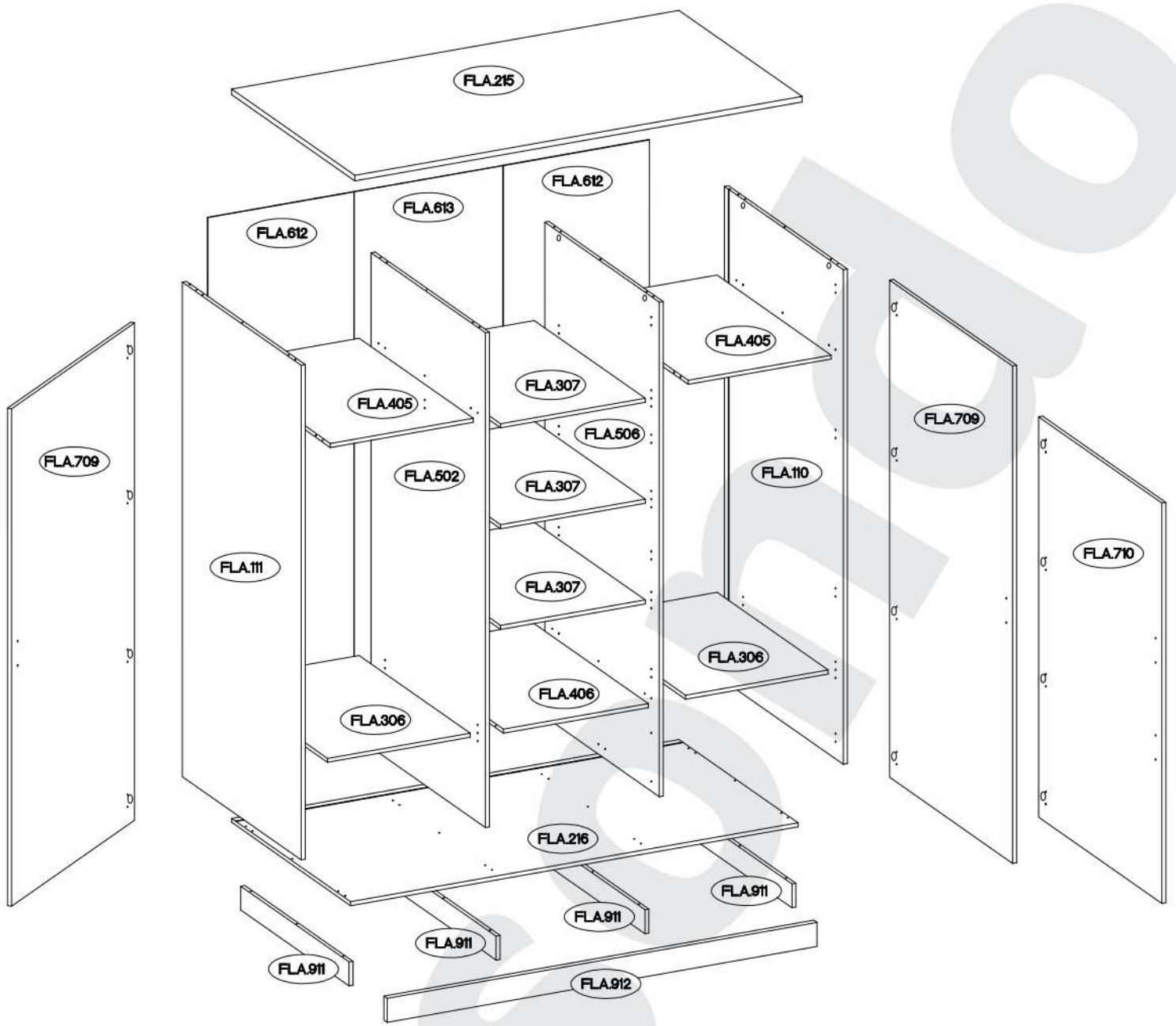
L=20mm		
D2	E	E1
24	20	4

†15x5mm	6.5x48x16	†35/0mm	†35/9mm H=0	L=450mm
F4	F22	HG	HG1	I11
2	8	8	4	2

L=570mm	†5/16mm	†20/8mm					†6.3x20mm			†10x50mm
J2	J3	J14	J17	L	L2	L19	M3	O	O1	O7
2	20	12	4	24	24	2	12	1	2	2

†4.0x16mm	†3.5x13mm	†3.0x20mm	†5.0x60mm			M4x22mm
				S	T3	U
P1	P5	P7	P12	S	T3	U
14	32	40-45	2	5	7	10

ISM-FLA-12



FLA.611



- FLA.306
- FLA.307
- FLA.405
- FLA.406

Colli	Ersatzteil Nummer	Dimension
Colli 2/5	FLA.215	1802x596x22
	FLA.216	1802x576x16
	FLA.912	1732x95x16




Colli	Ersatzteil Nummer	Dimension
Colli 3/5	FLA.110	1962x576x16
	FLA.111	1962x576x16
	FLA.612 x2	1971x588x2,5
	FLA.613	1971x598x2,5

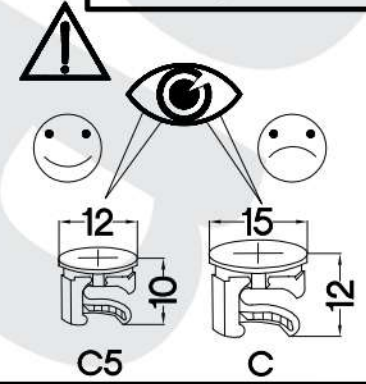
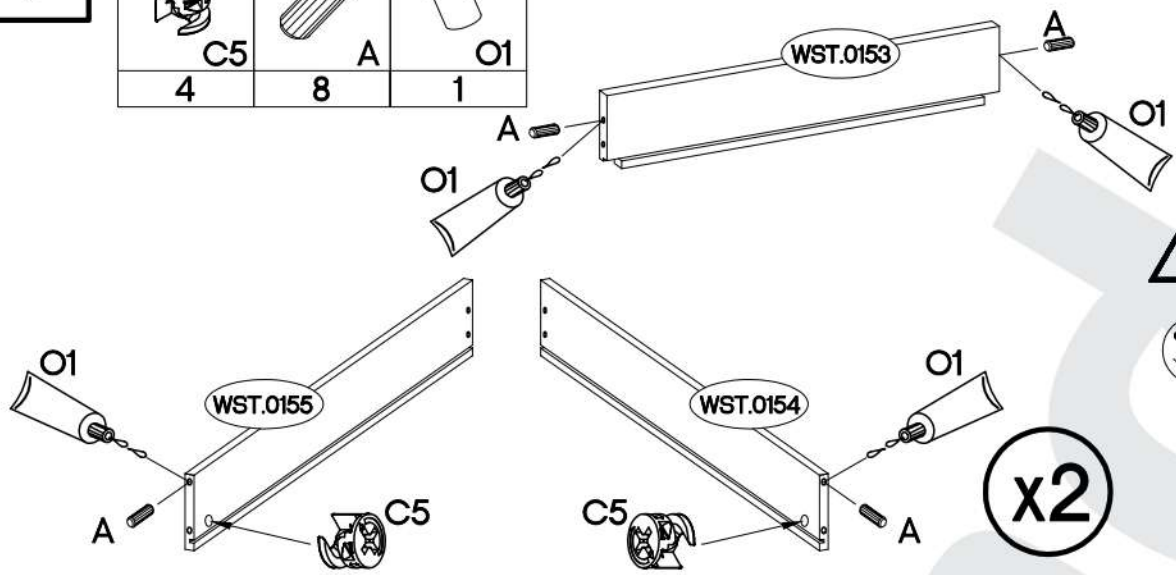
Colli	Ersatzteil Nummer	Dimension
Colli 1/5	FLA.306 x2	575x538x16
	FLA.405 x2	576x553x16
	FLA.406	584x553x16
	FLA.611 x2	446x537x2,5
	FLA.911 x4	524x95x16
	WST.0154 x2	450x100x12
	WST.0155 x2	450x100x12
WST.0153 x2	527x100x12	

Colli	Ersatzteil Nummer	Dimension
Colli 4/5	FLA.307 x3	583x538x16
	FLA.502	1962x554x16
	FLA.506	1962x554x16

Colli	Ersatzteil Nummer	Dimension
Colli 5/5	FLA.706 x2	189x596x16
	FLA.709 x2	1973x596x16
	FLA.710	1588x596x16

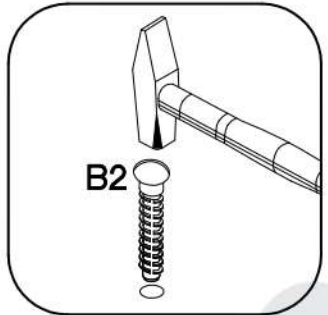
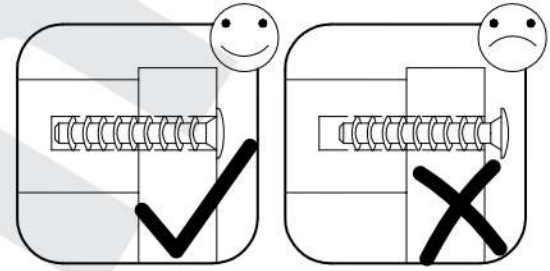
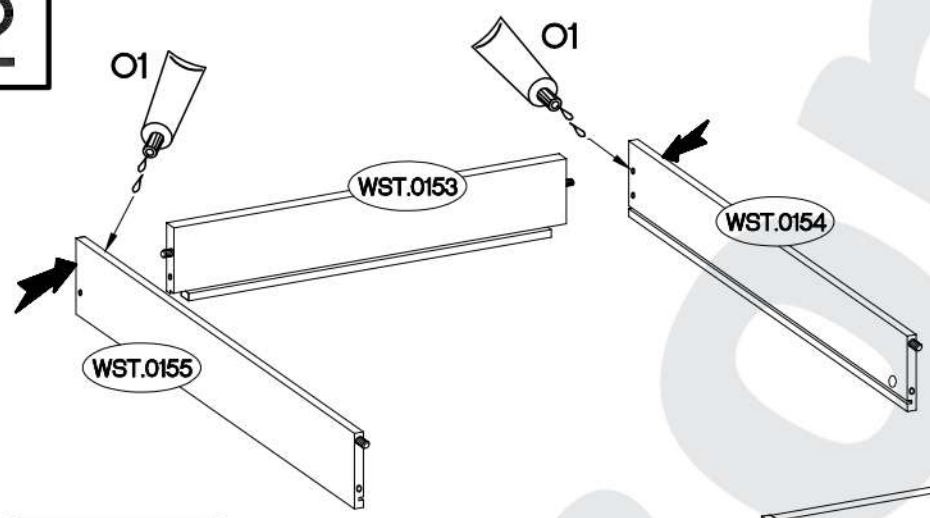
1



±12/10mm  C5 4	±8x30mm  A 8	 O1 1
---	---	---

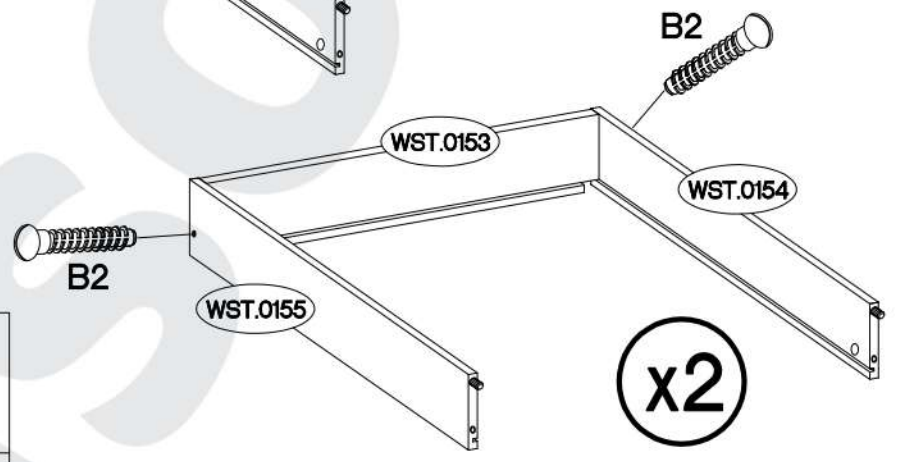


x2

2



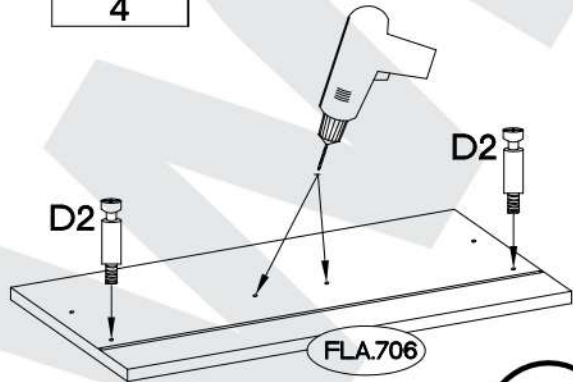
±6x42mm  B2 4	 O1 1
---	--



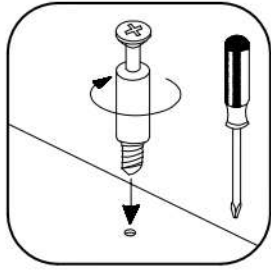
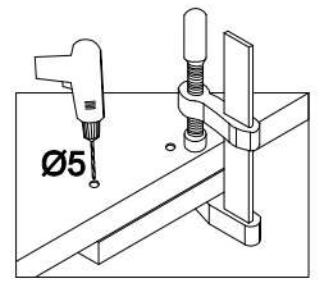
x2

3

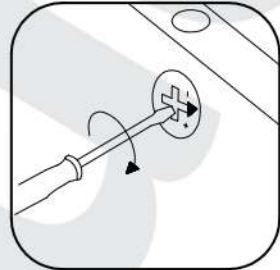
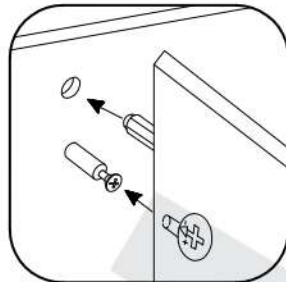
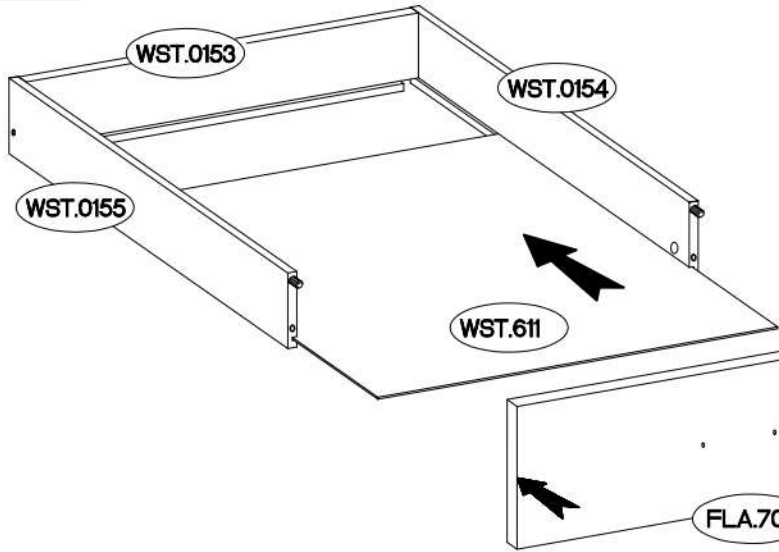
L=20mm  D2 4
--



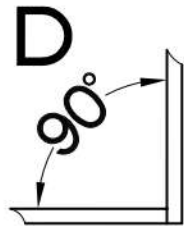
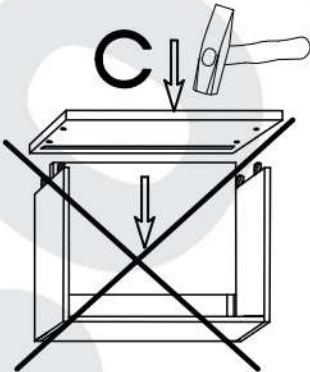
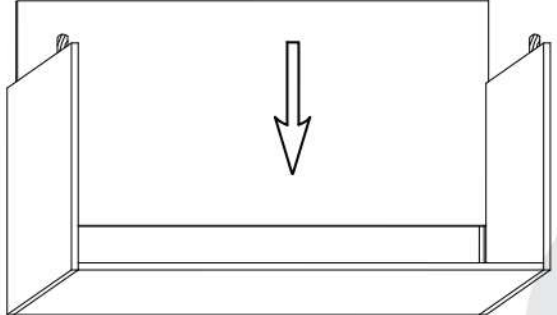
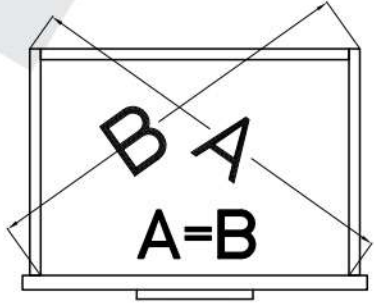
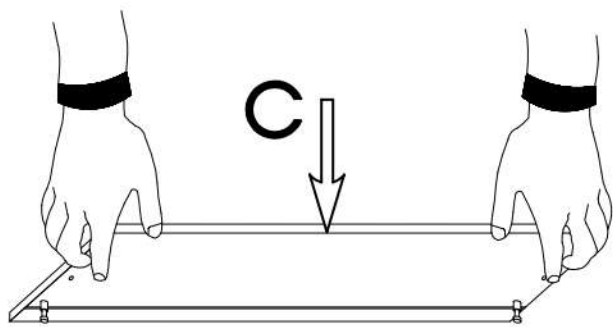
x2



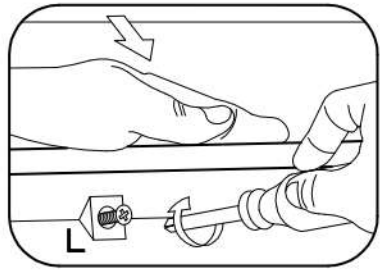
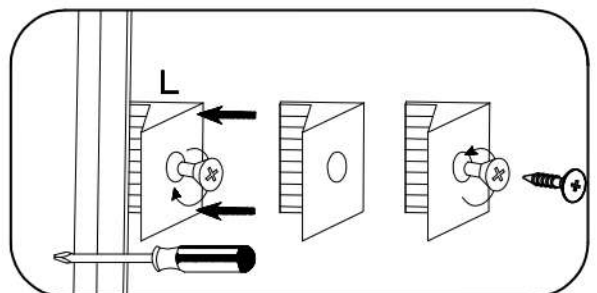
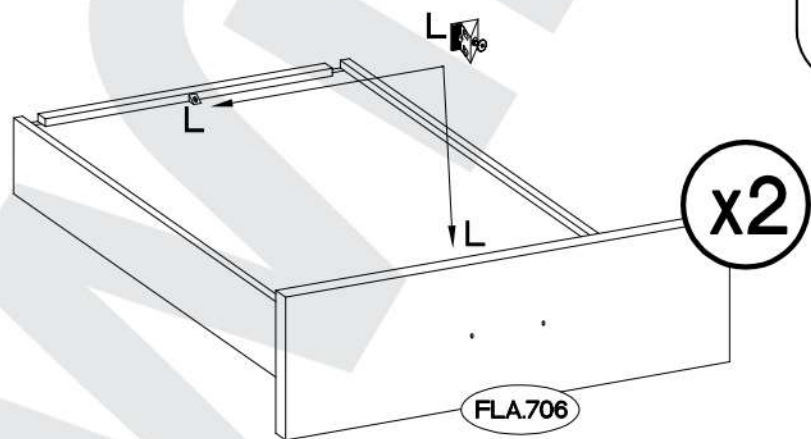
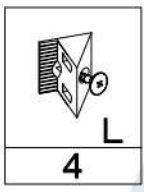
4






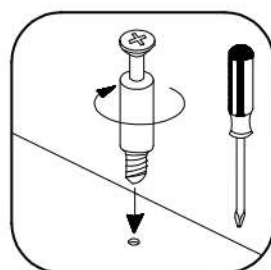
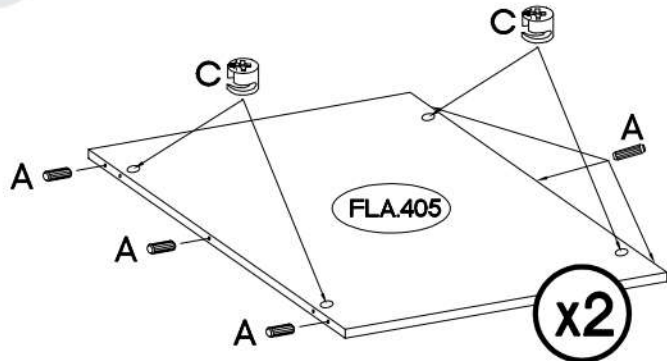
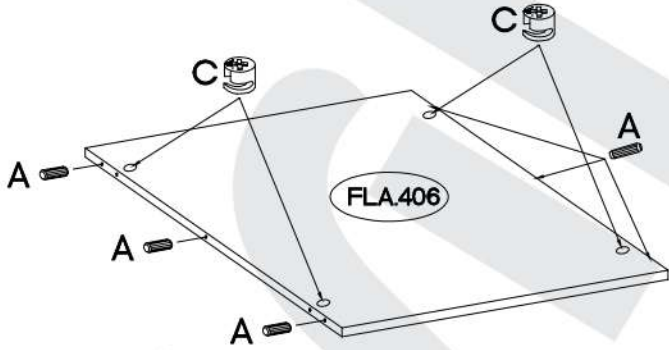
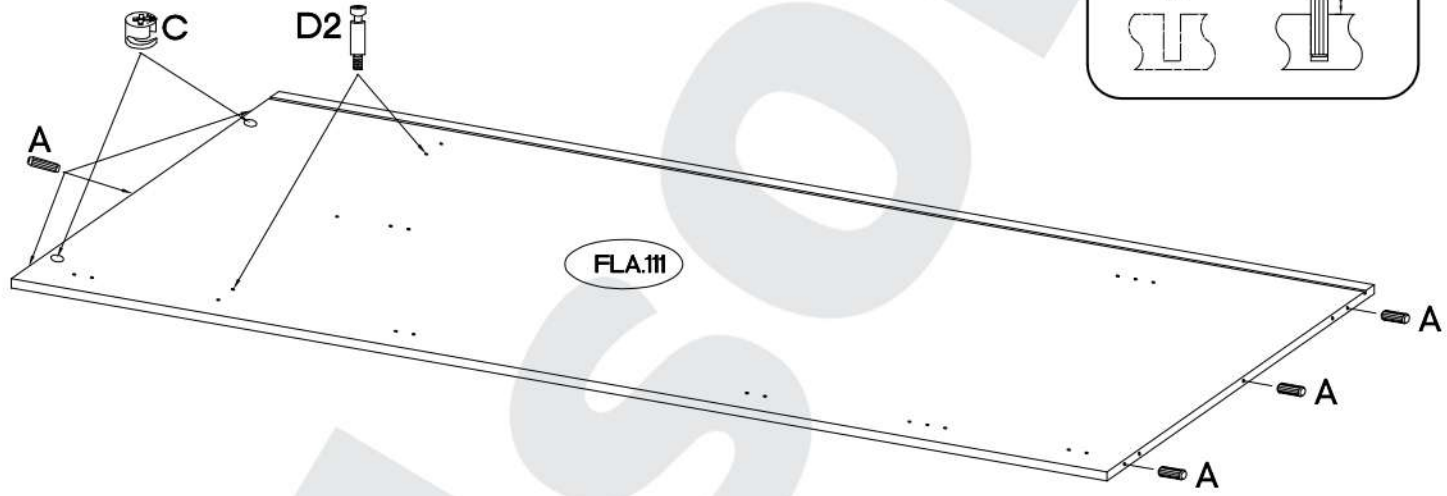
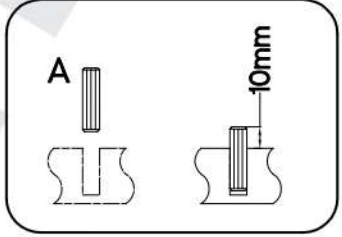
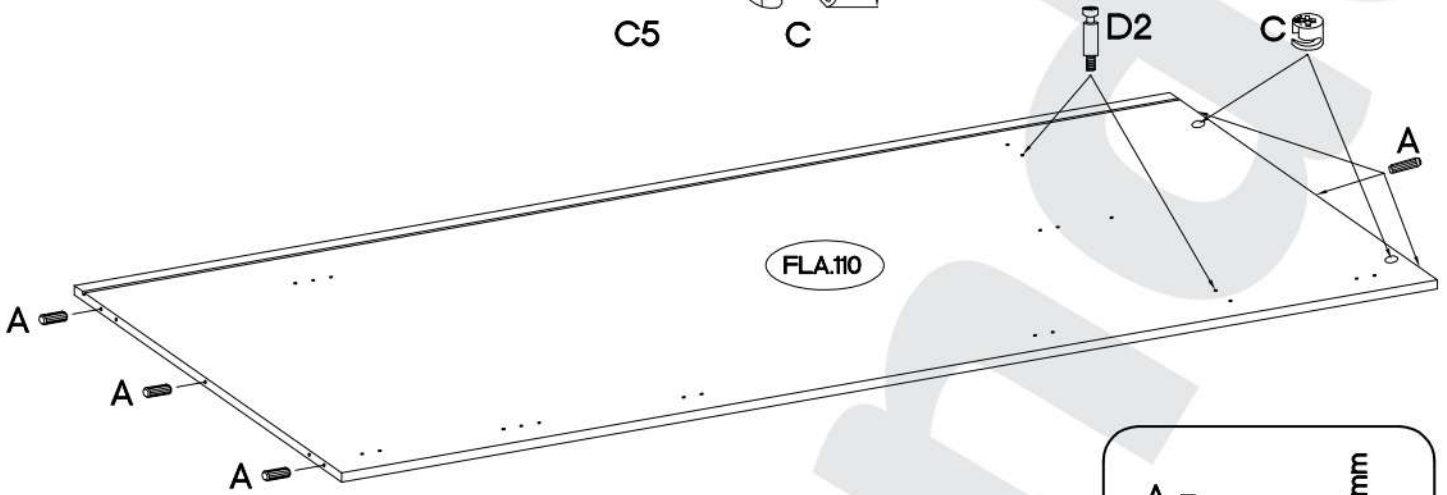
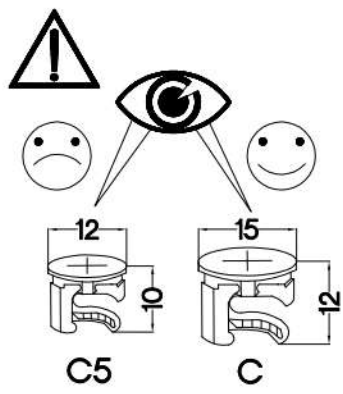
x2









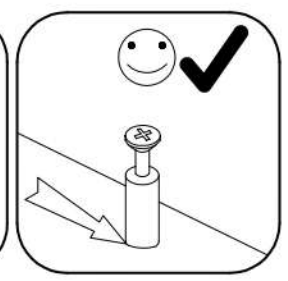
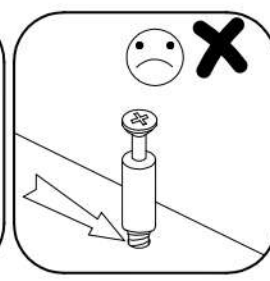
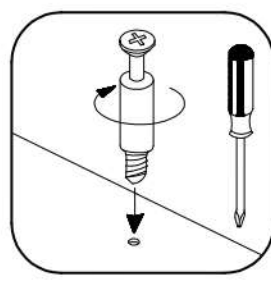
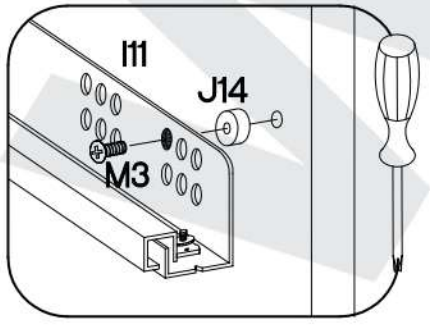
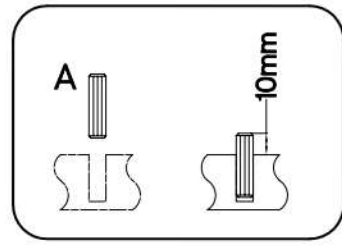
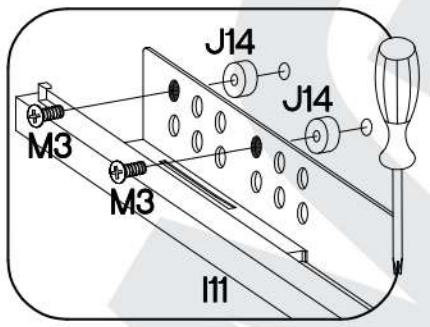
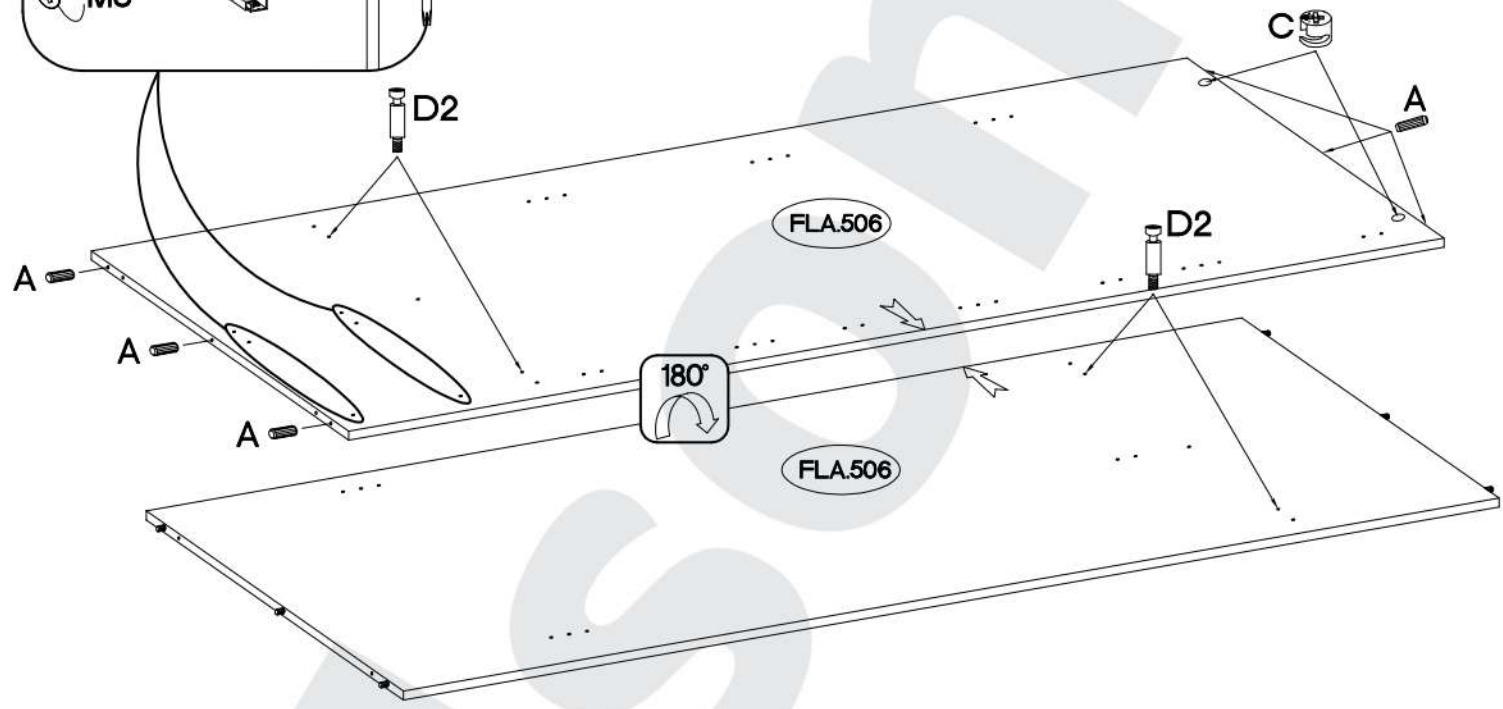
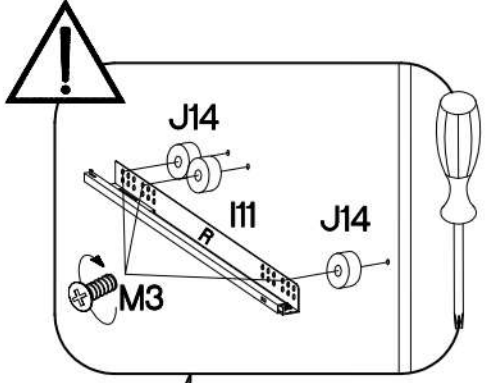
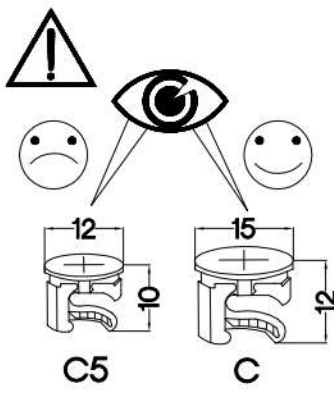
5









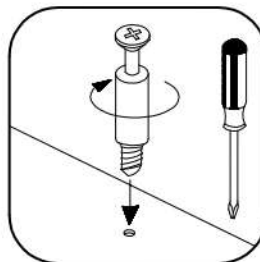
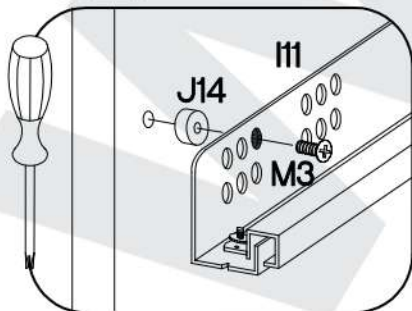
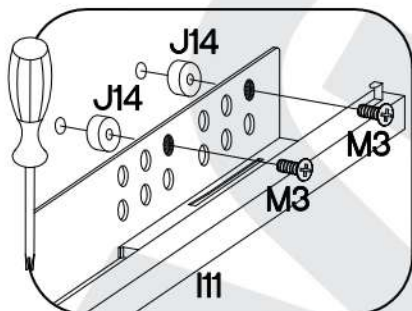
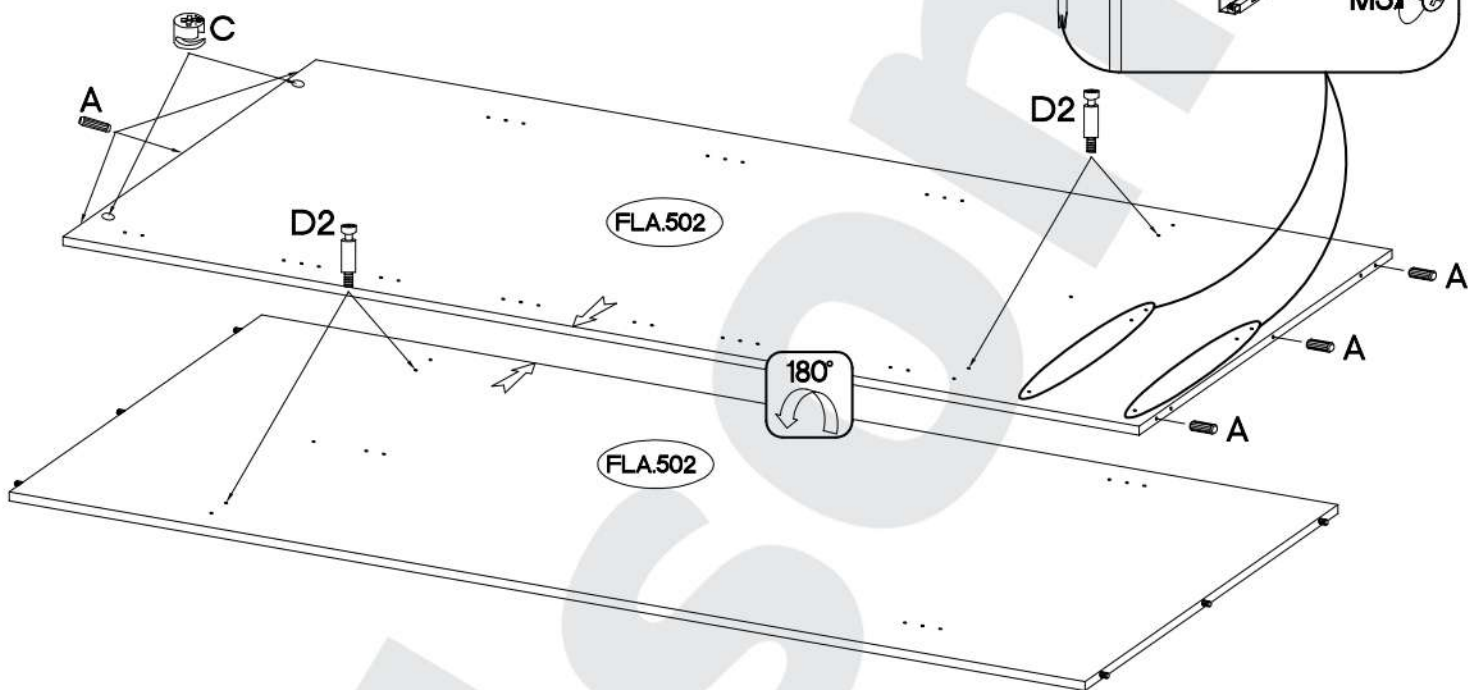
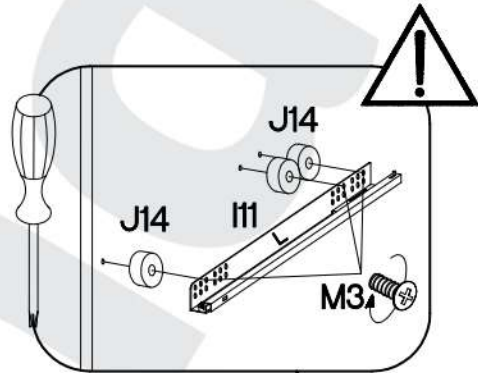
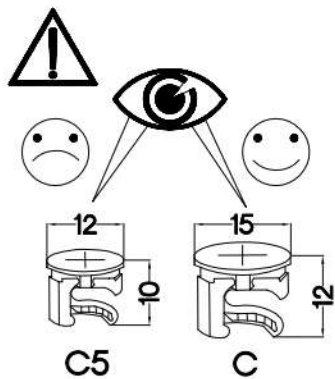
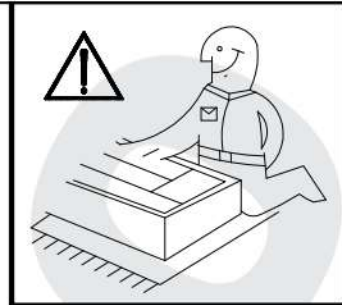
$\pm 8 \times 30 \text{mm}$  A	$\pm 15/12 \text{mm}$  C	L=20mm  D2
30	16	4



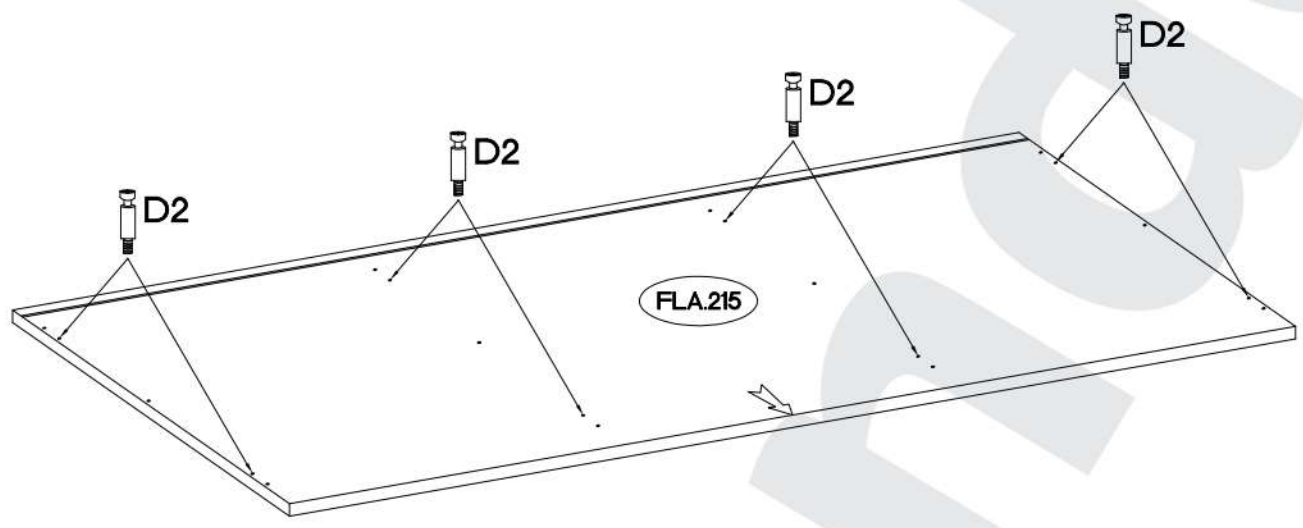
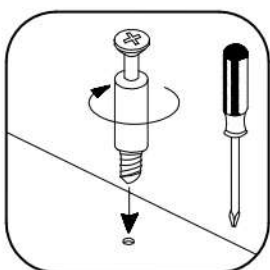
+8x30mm  A 6	+15/12mm  C 2	L=450mm  I11 2	+6.3x20mm  M3 6	+20/8mm  J14 6	L=20mm  D2 4
---	--	---	--	---	--



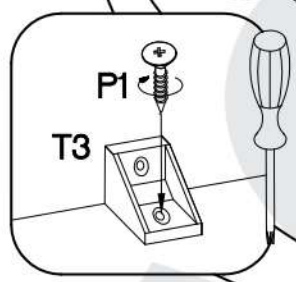
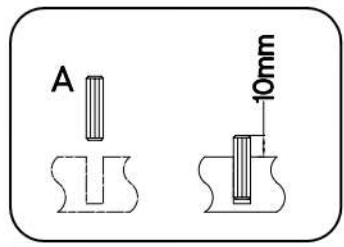
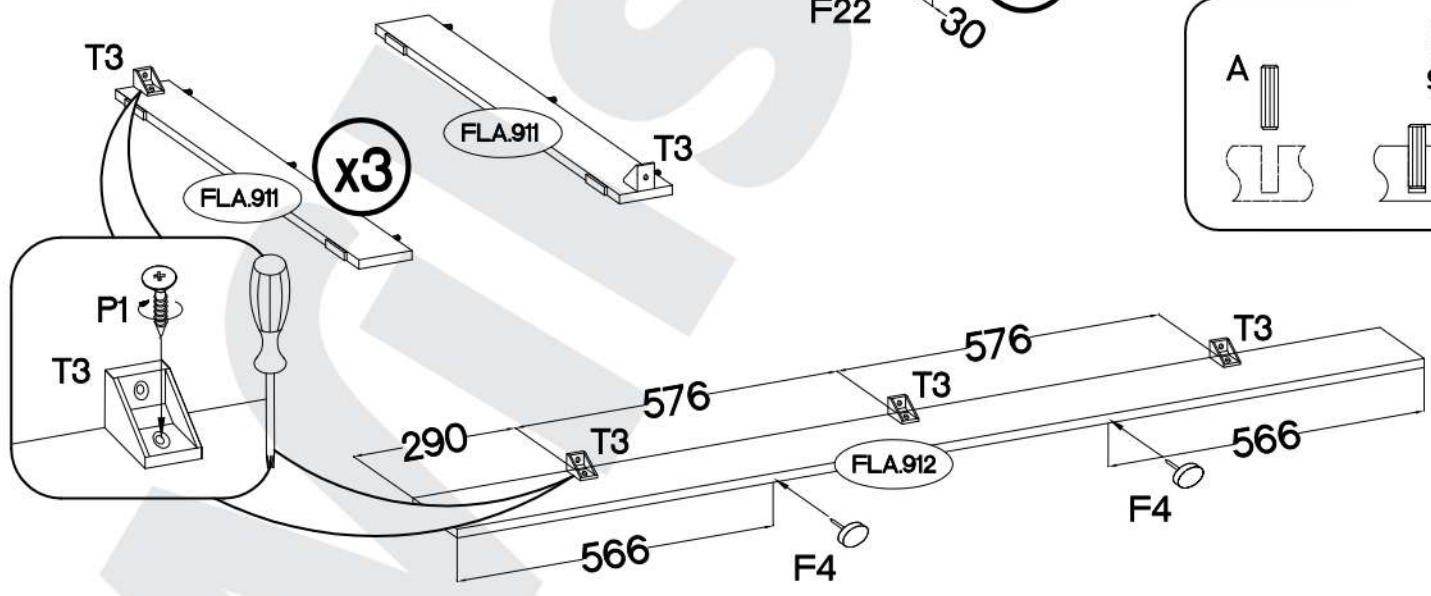
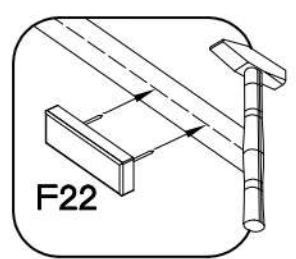
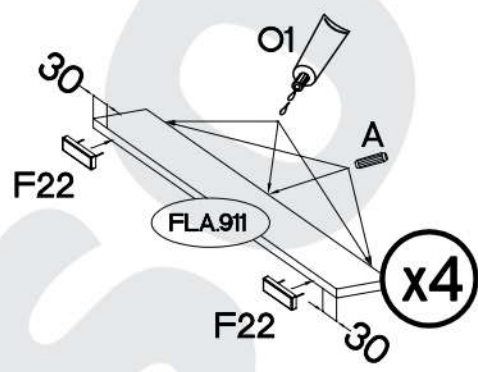
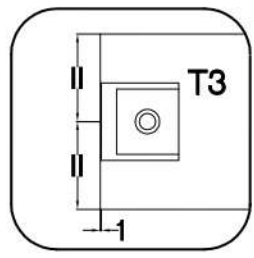
$\pm 8 \times 30 \text{mm}$  A	$\pm 15 / 12 \text{mm}$  C	$L = 450 \text{mm}$  I11	$\pm 6.3 \times 20 \text{mm}$  M3	$\pm 20 / 8 \text{mm}$  J14	$L = 20 \text{mm}$  D2
6	2	2	6	6	4



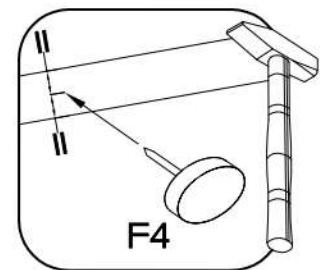
9



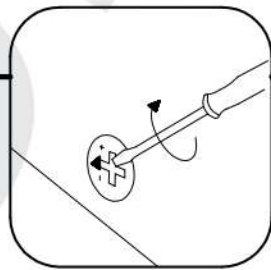
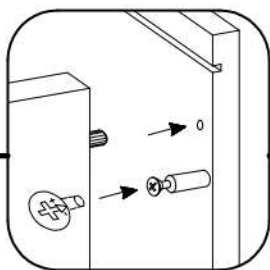
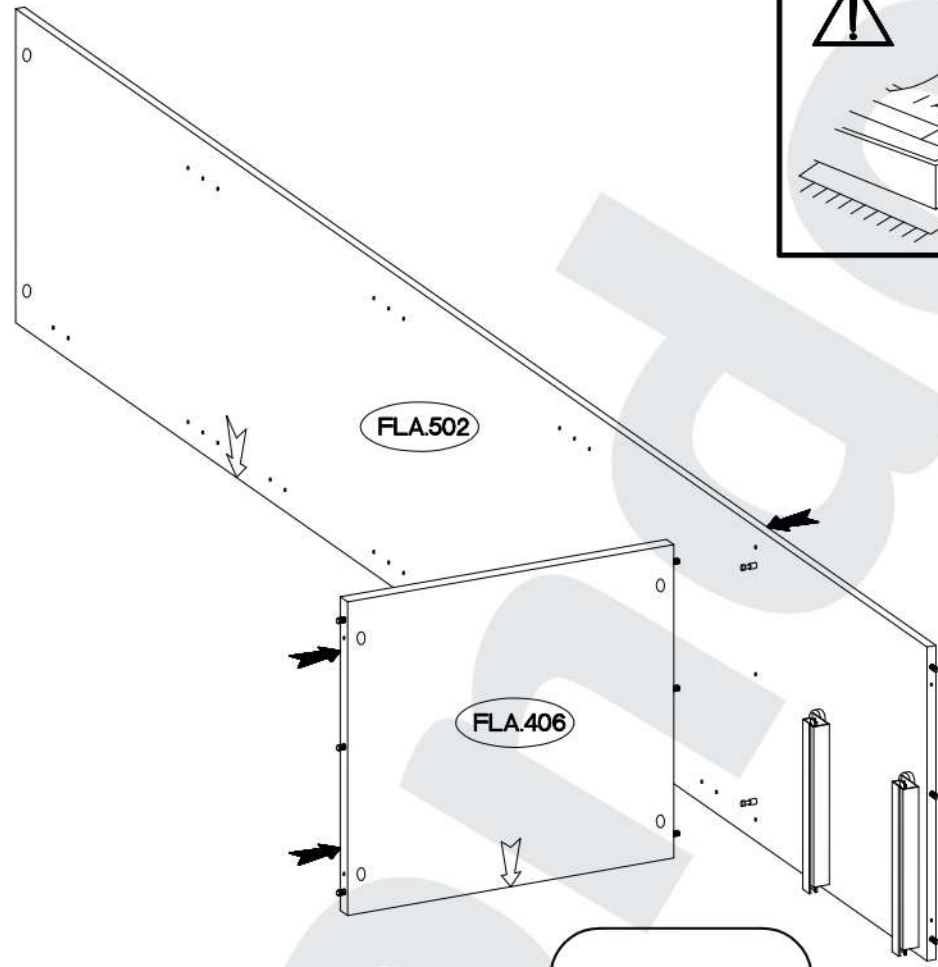
10



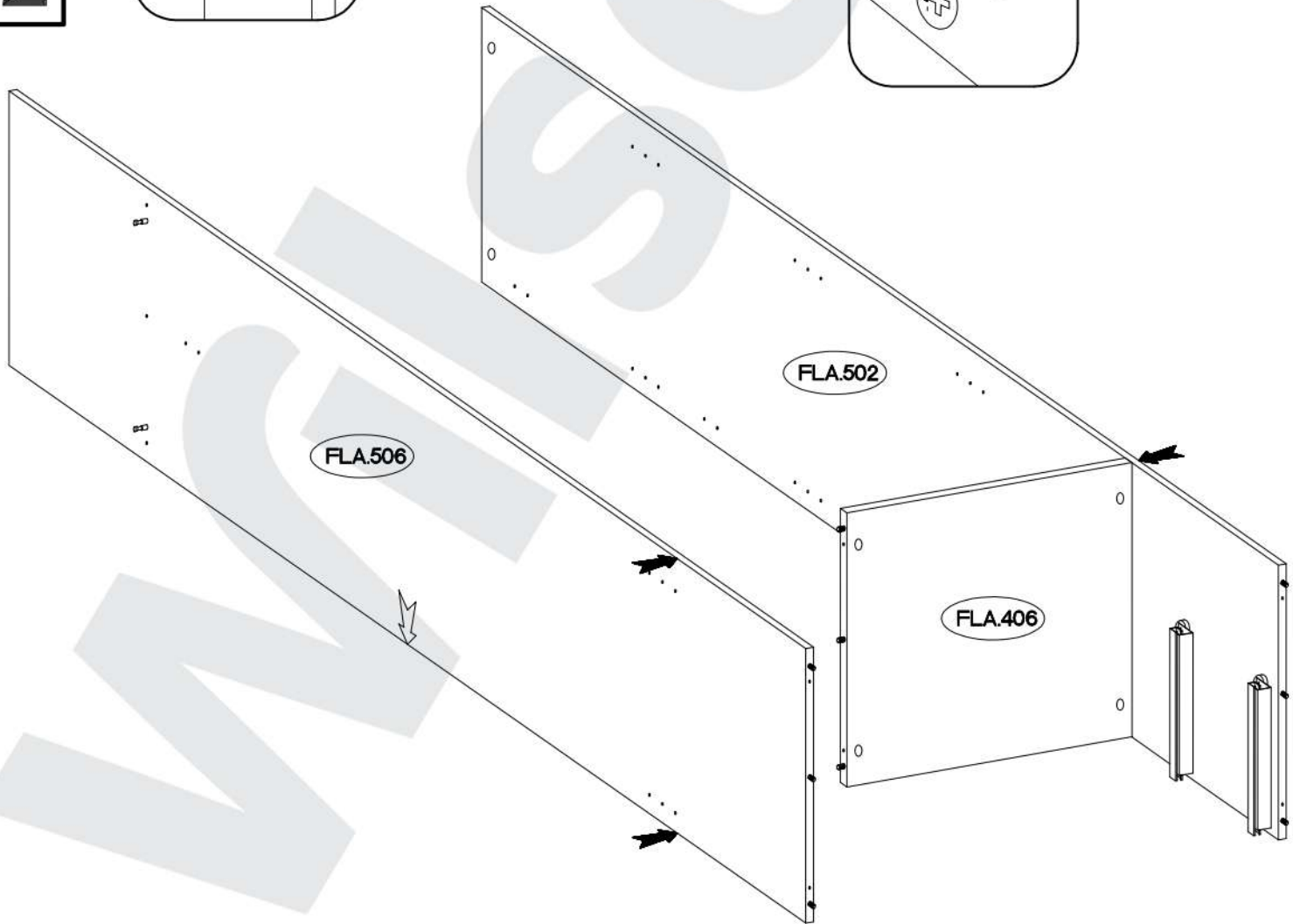
	+4.0x16mm	6.5x48x16	+15x5mm		+8x30mm
T3	P1	F22	F4	O1	A
7	7	8	2	1	12



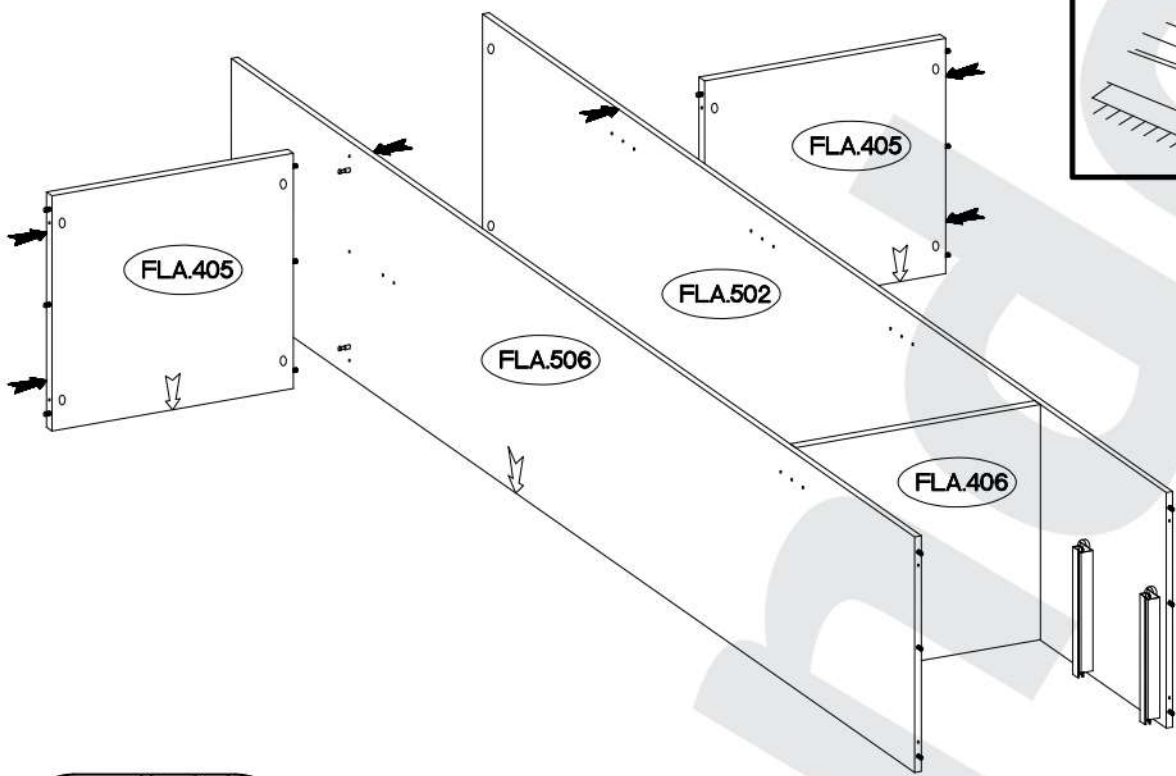
11



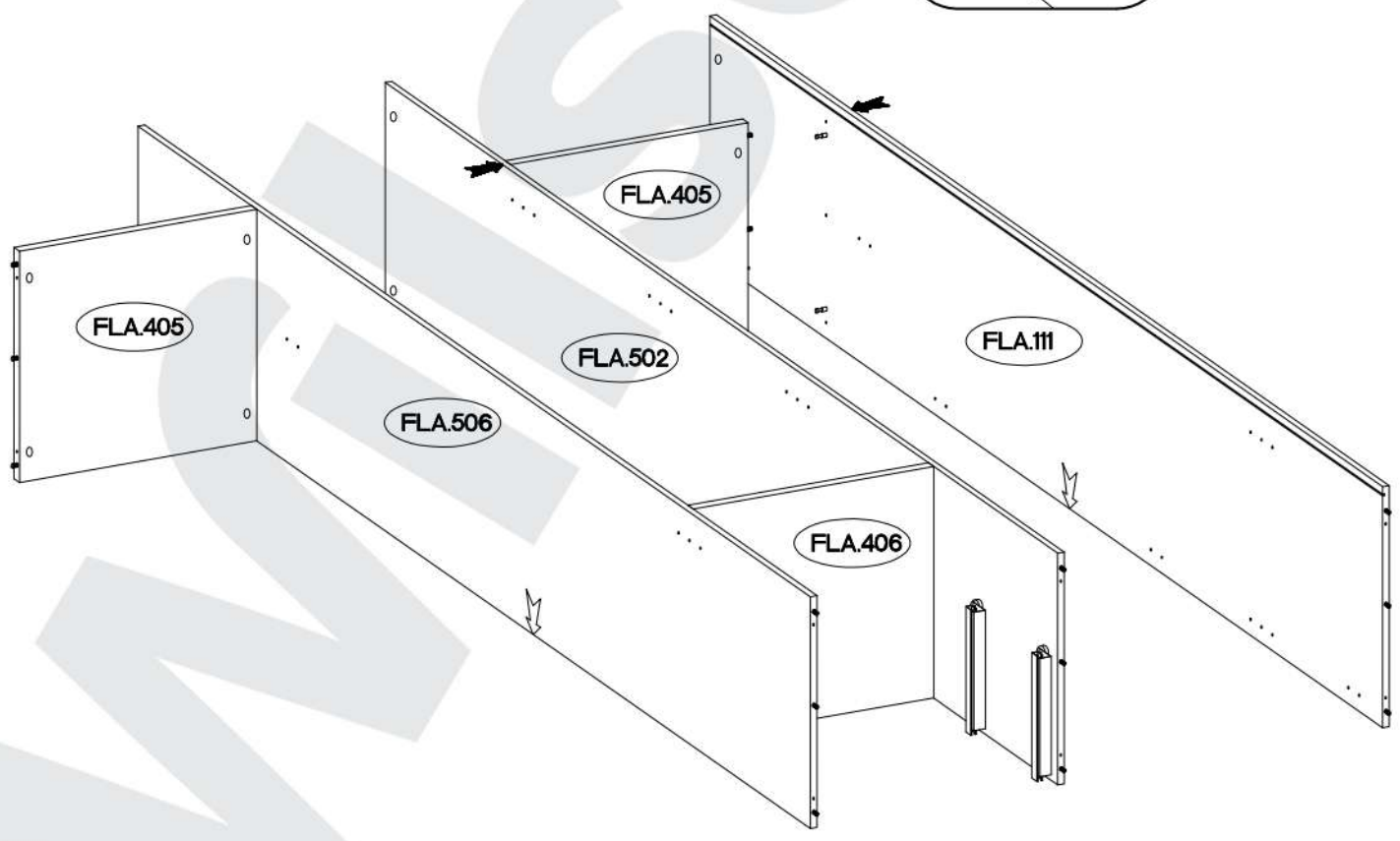
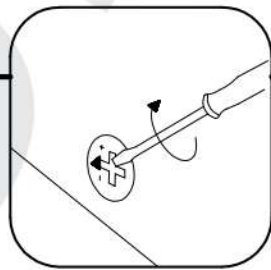
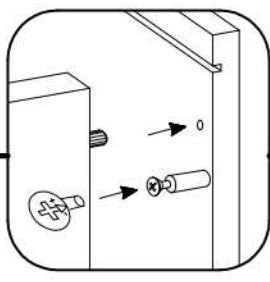
12



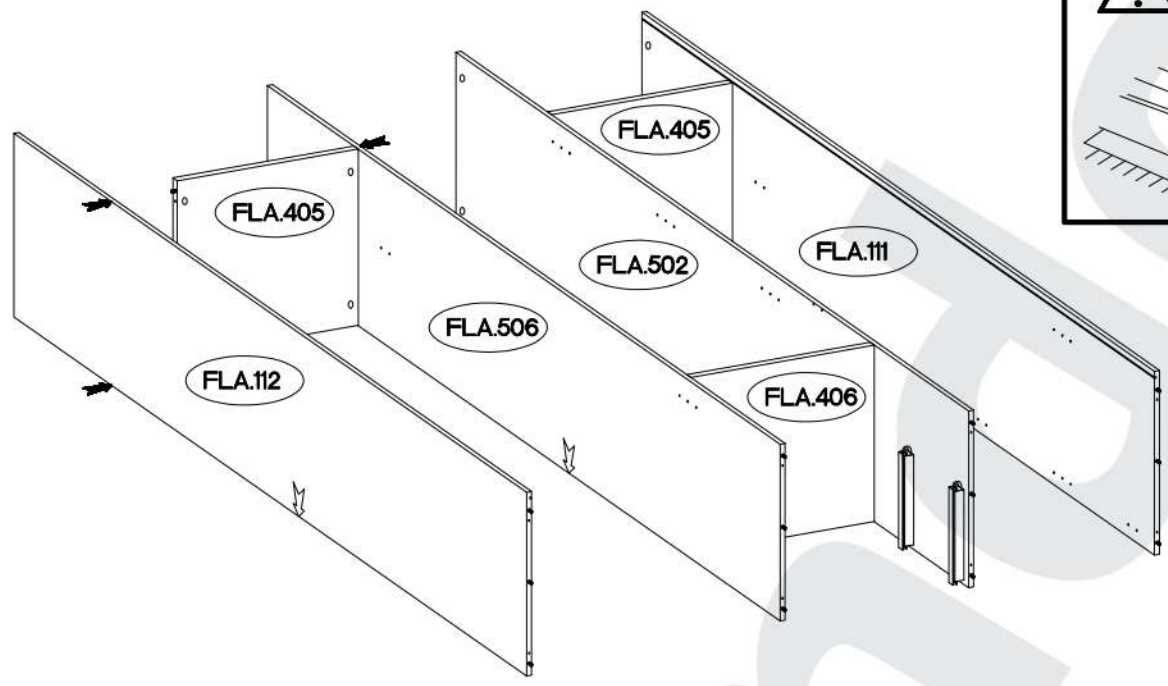
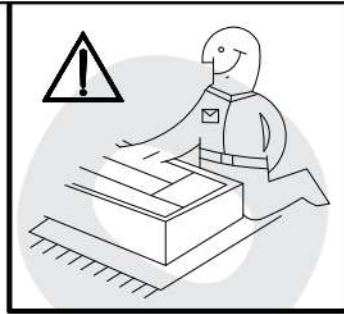
13



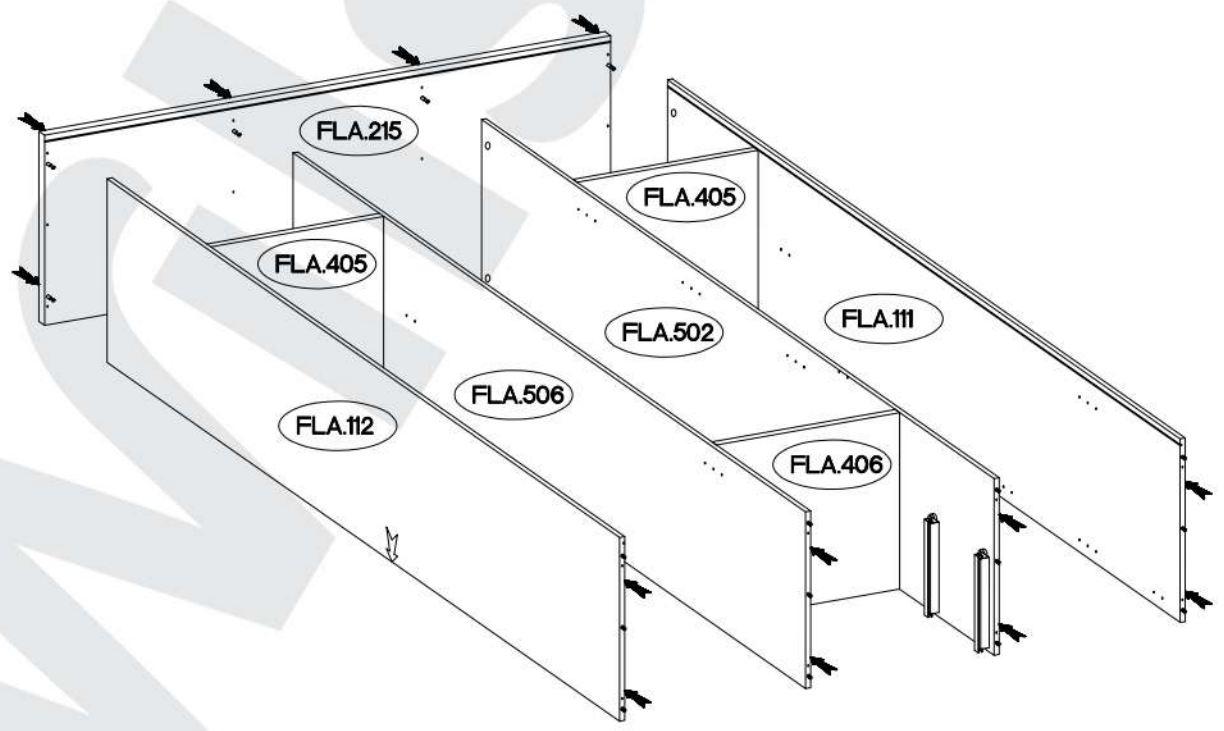
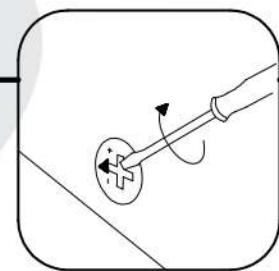
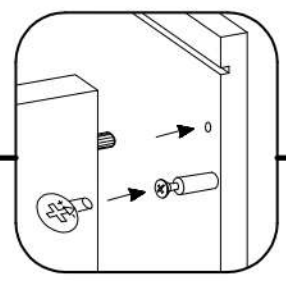
14

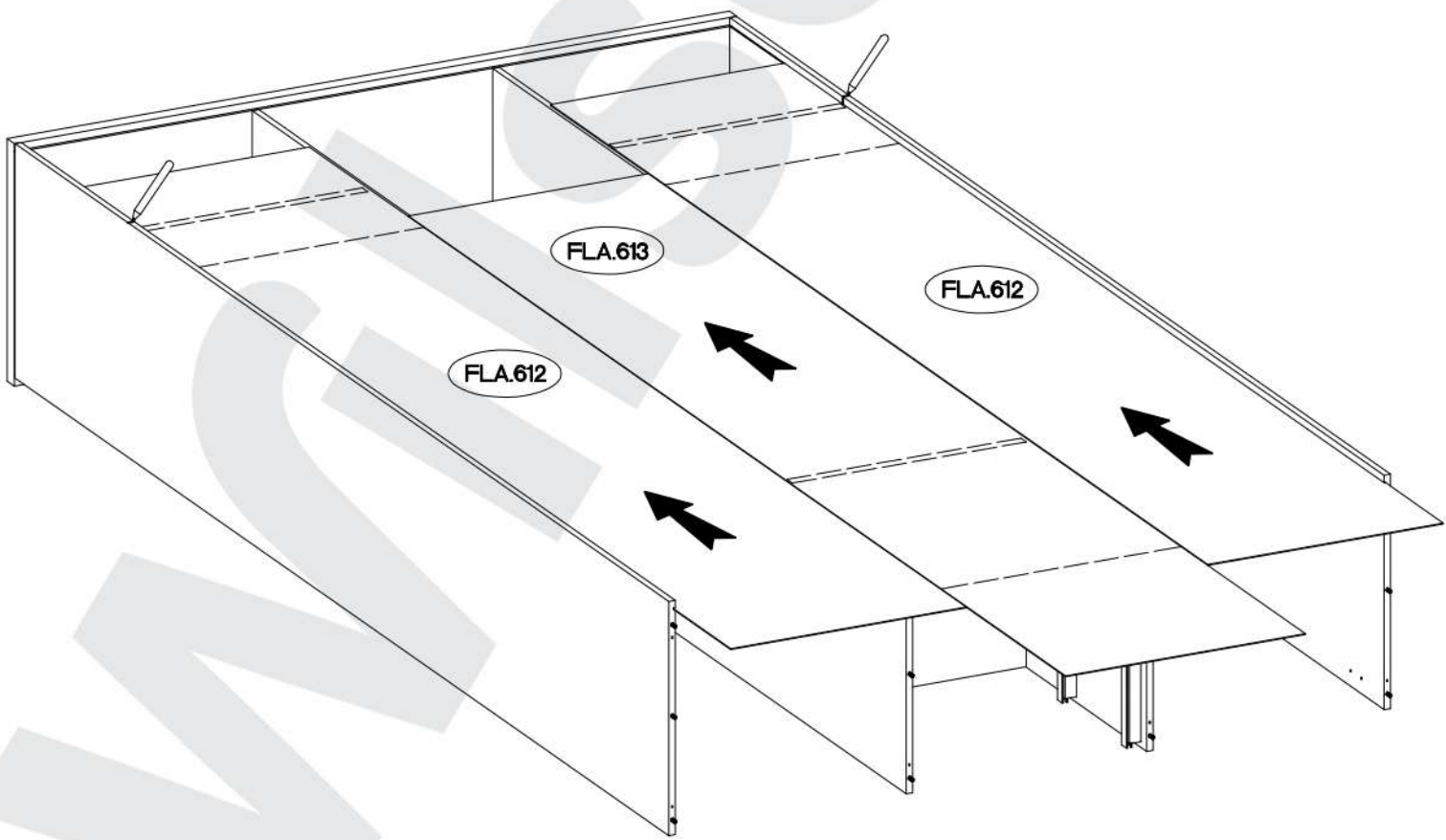
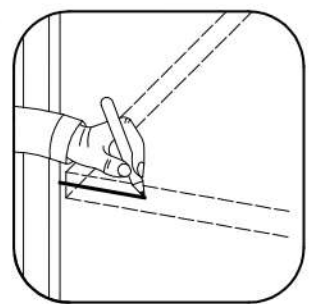
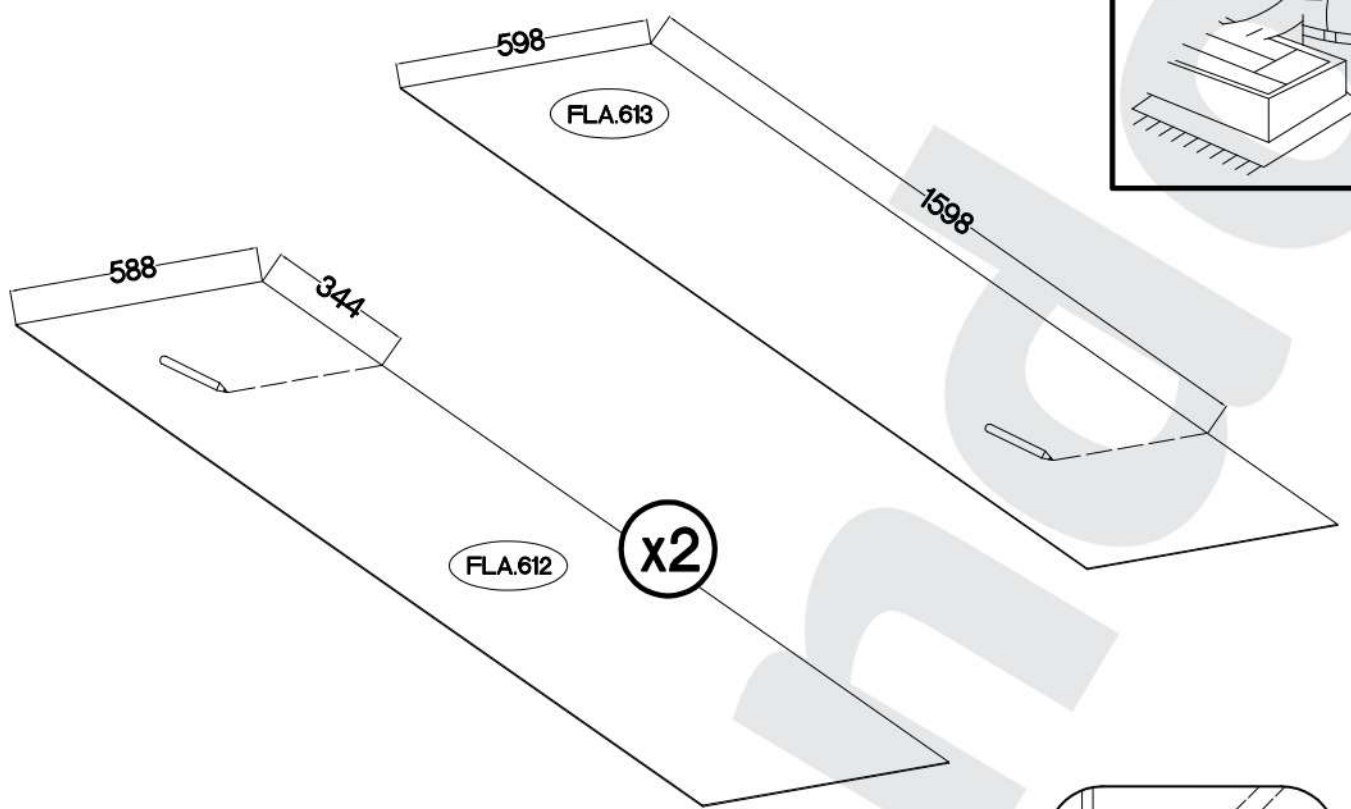


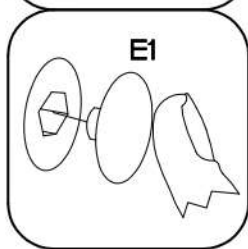
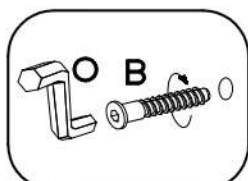
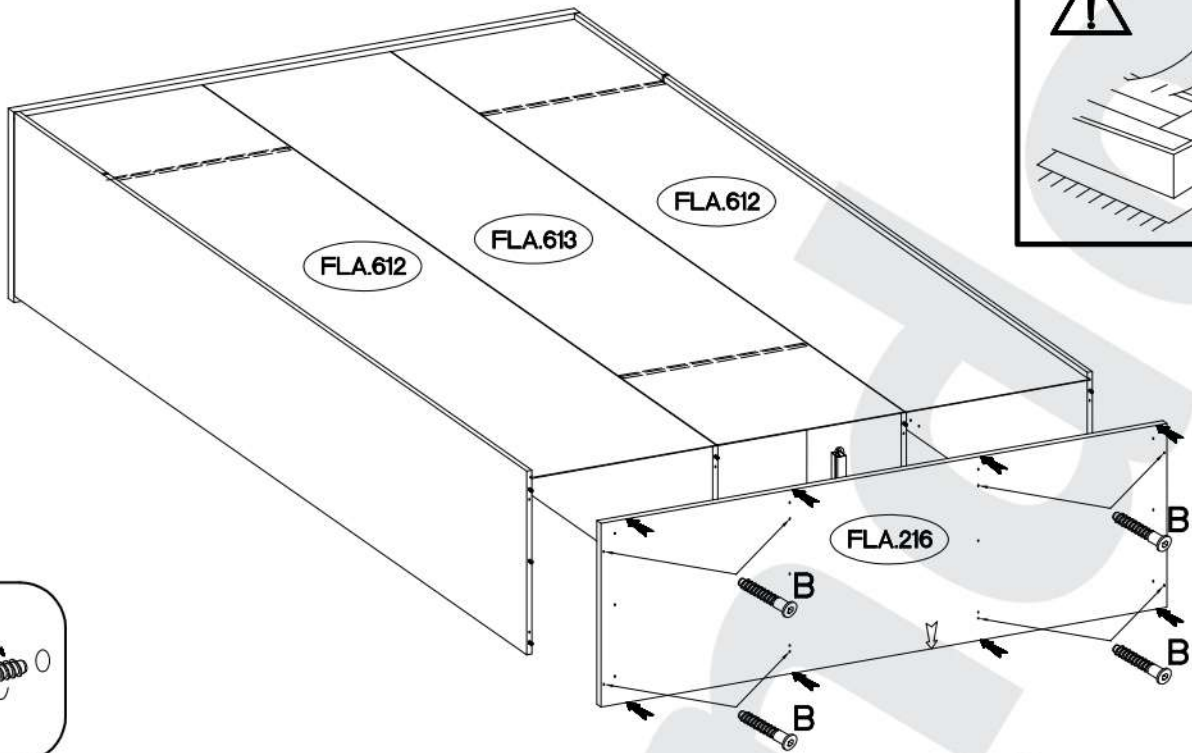
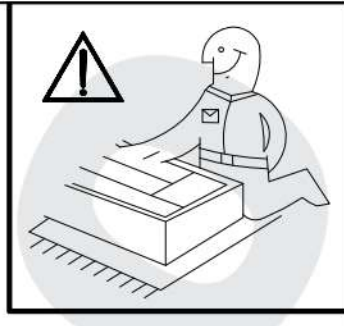
15



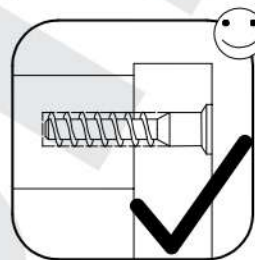
16



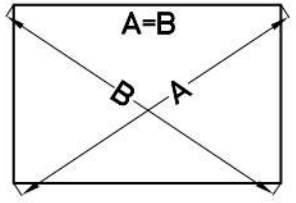
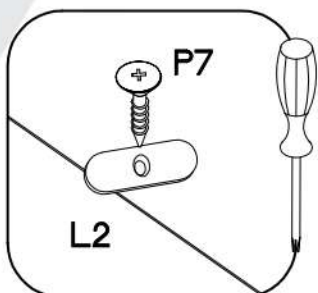
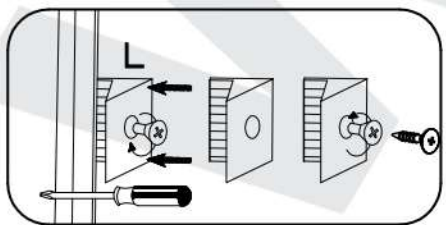
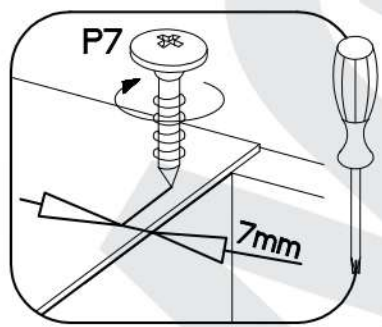
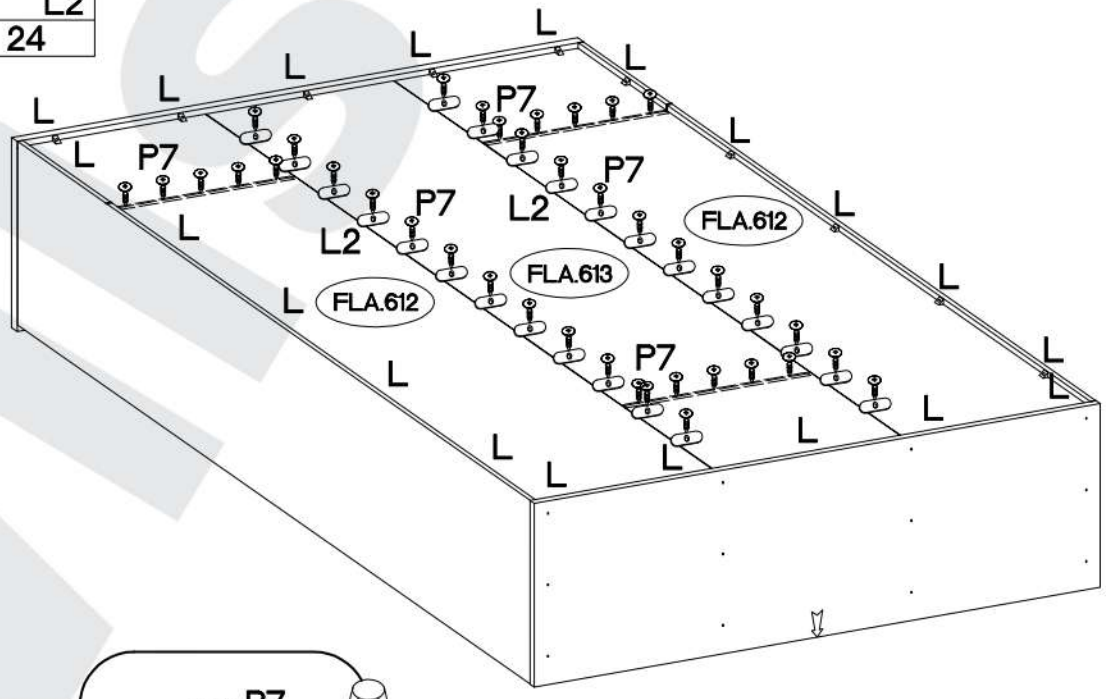




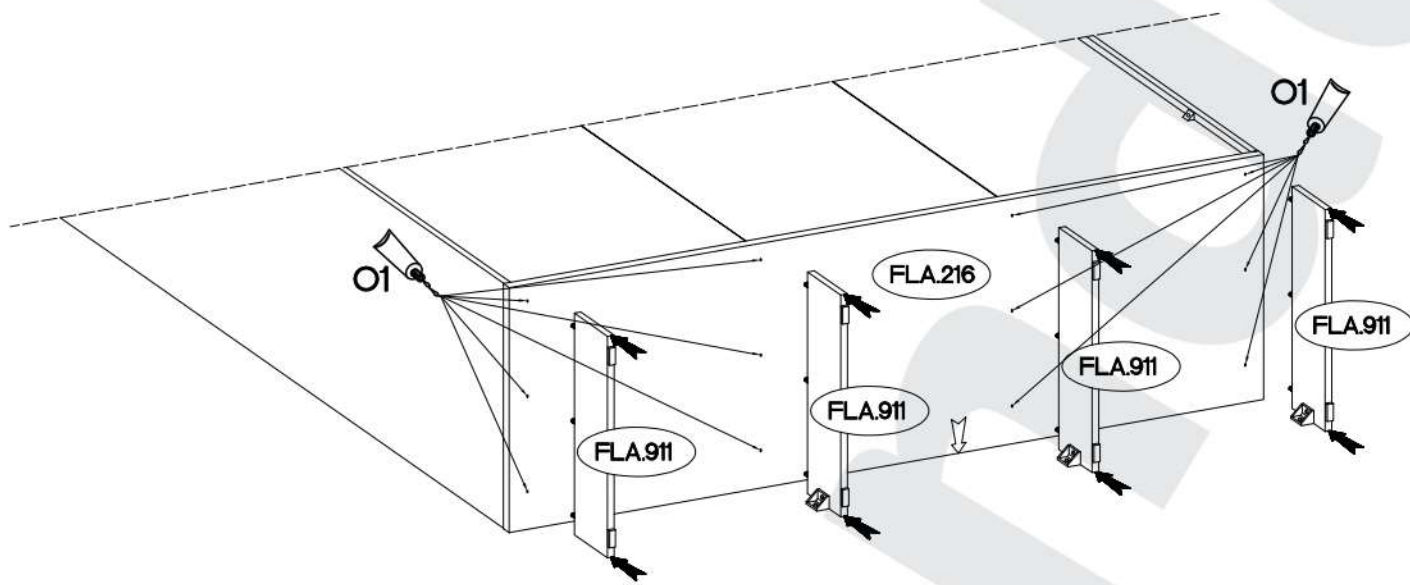
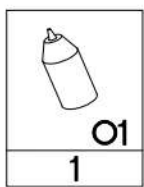
6,4 x 50mm		
8	1	4



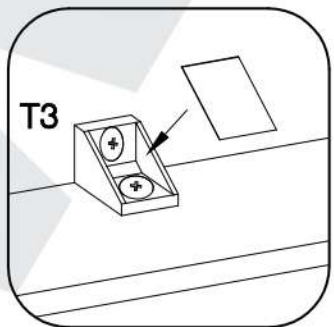
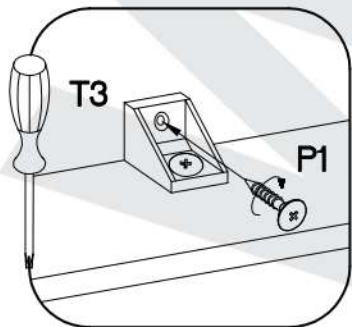
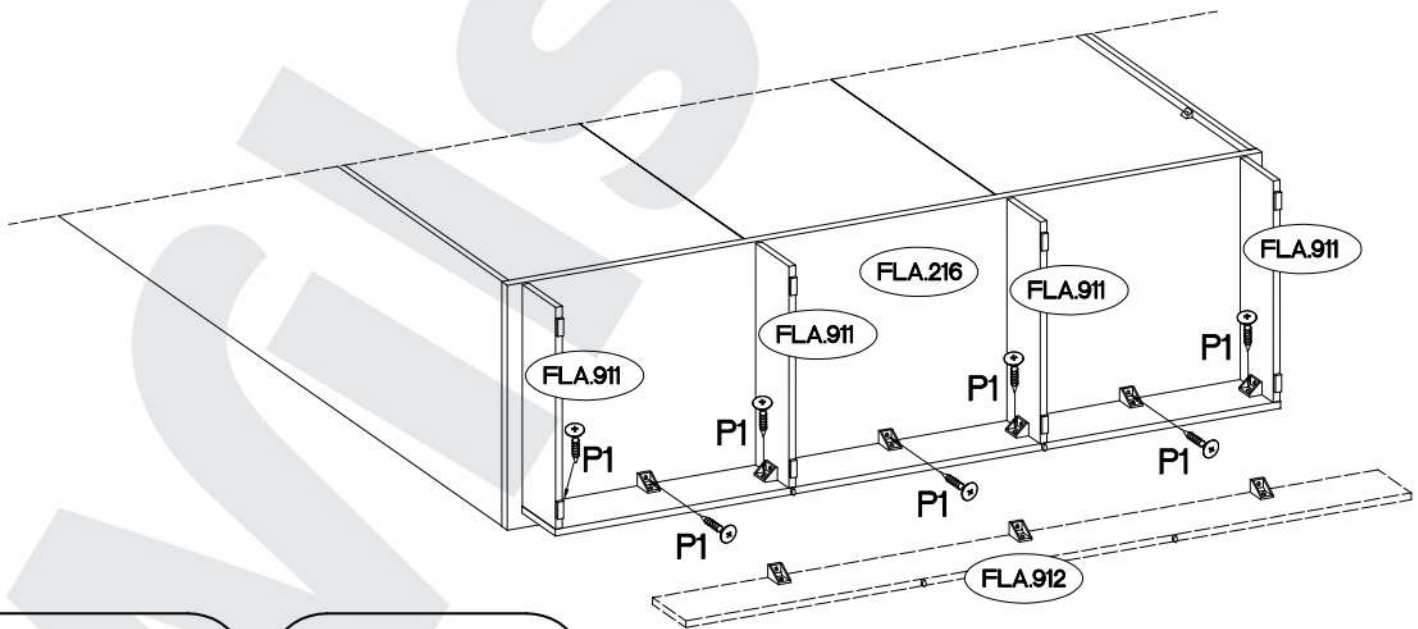
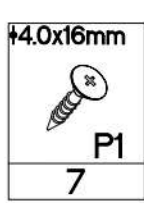
	±3.0x20mm	
L	P7	L2
20	35-40	24







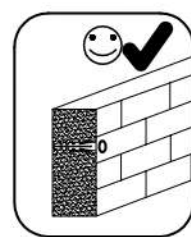
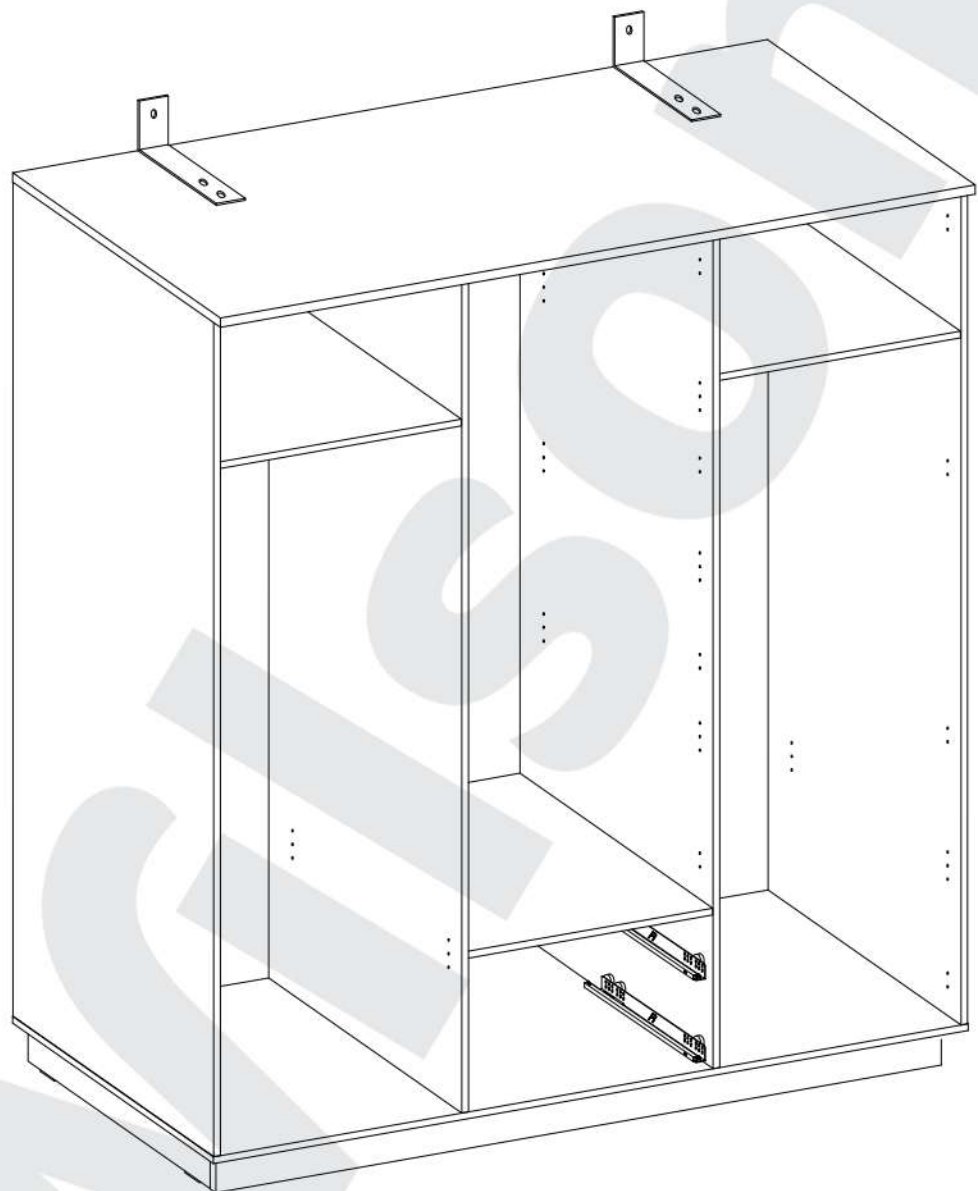
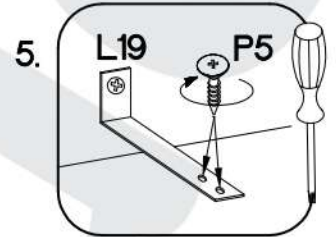
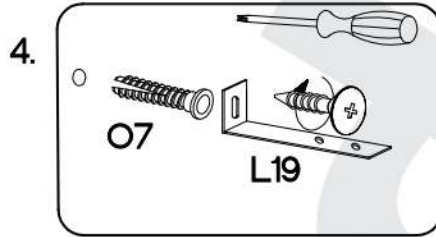
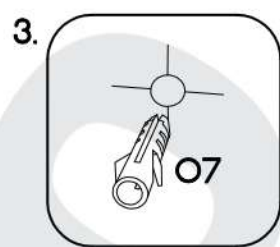
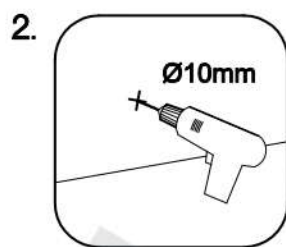
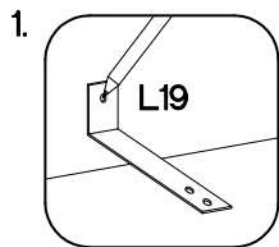
20







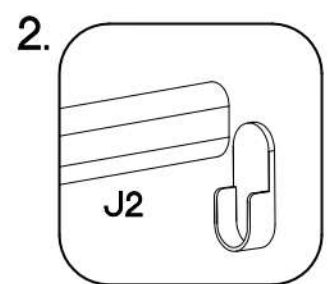
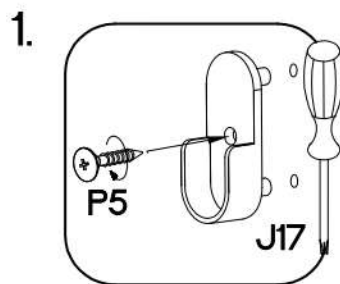
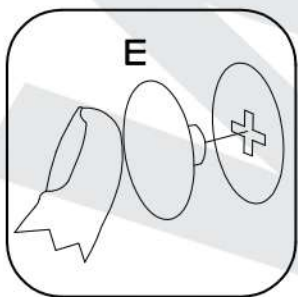
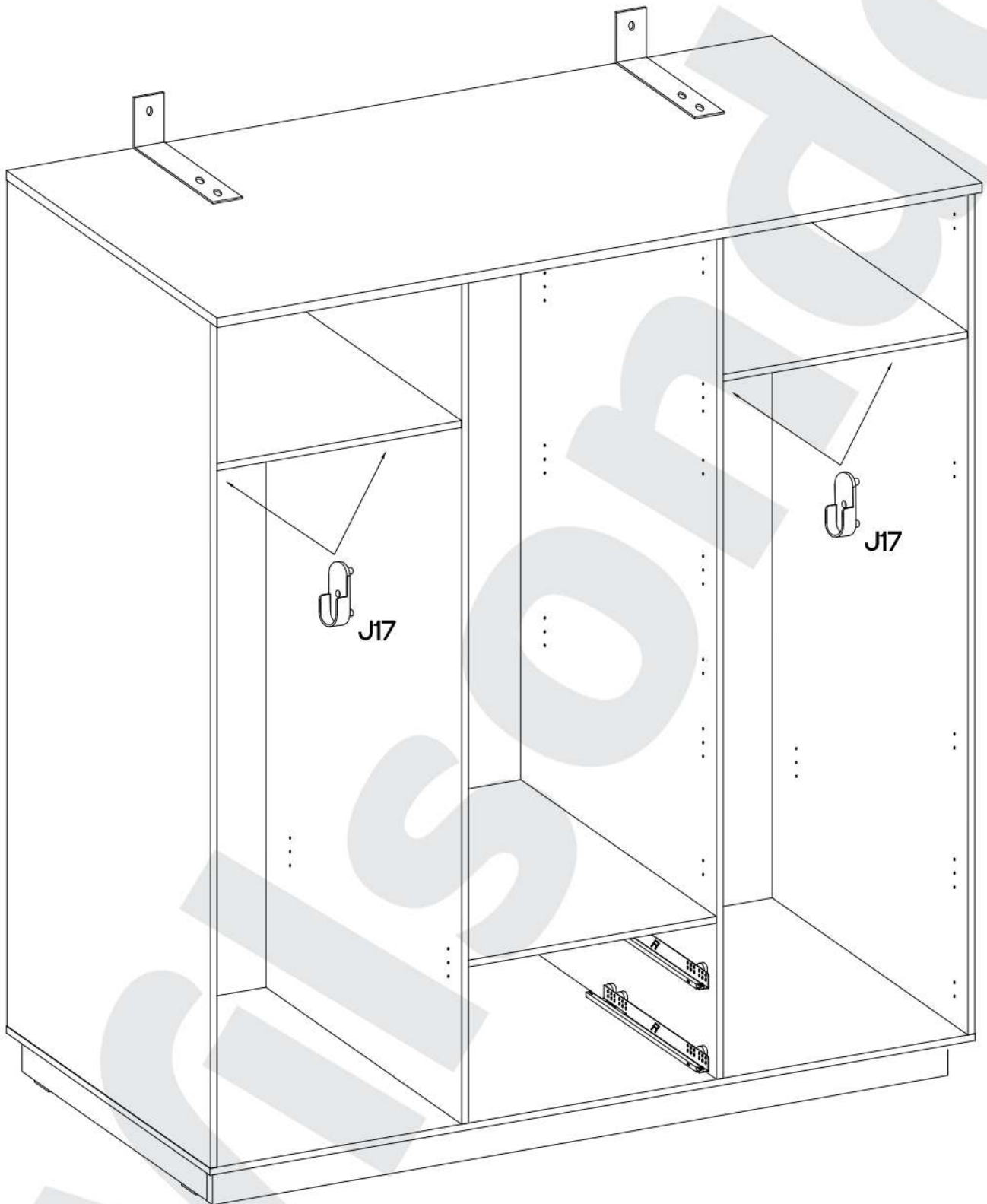
21



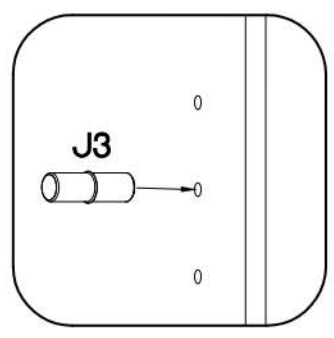
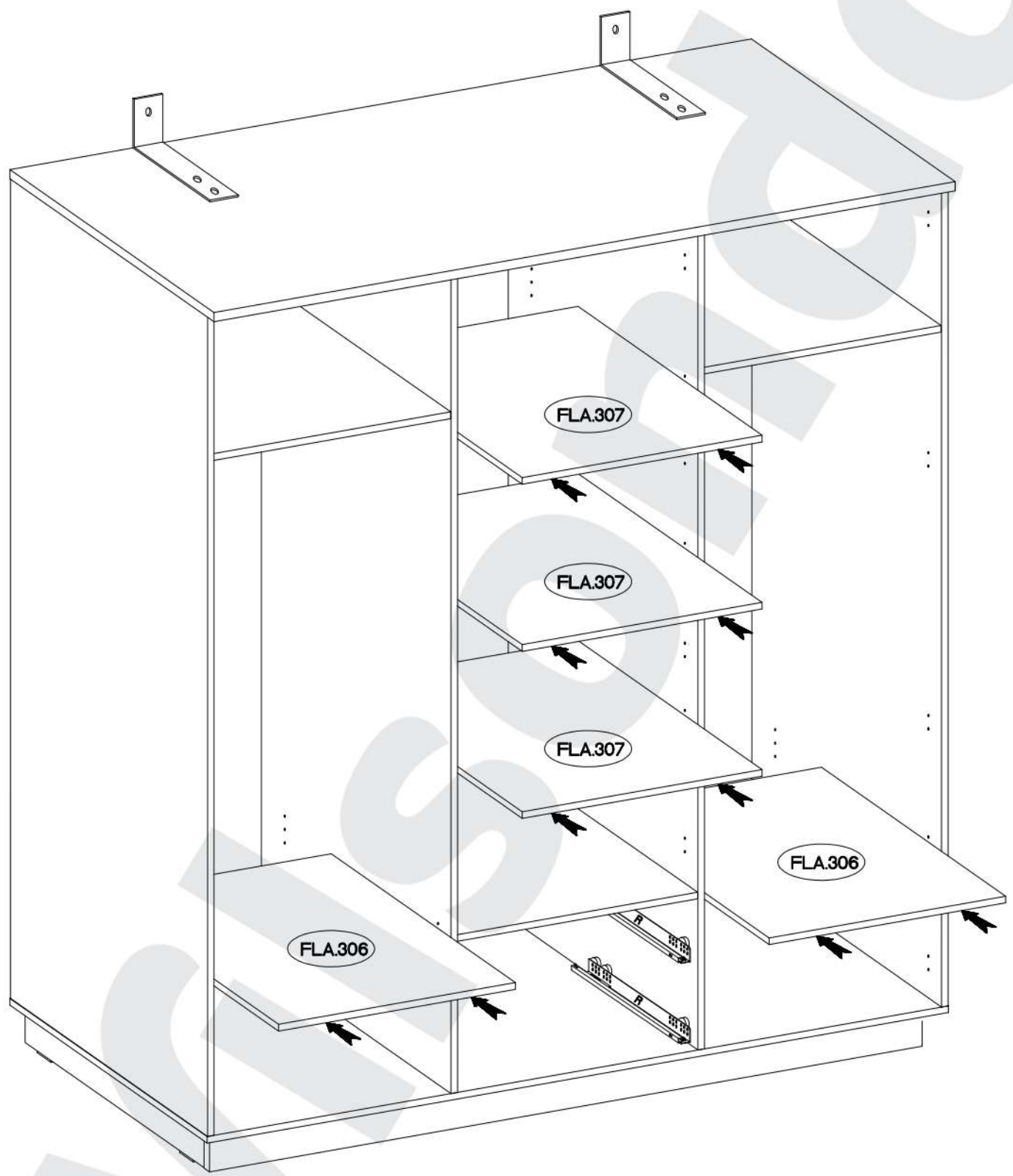
	↑3.5x13mm	↑5.0x60mm	↑10x50mm
			
L19	P5	P12	O7
2	4	2	2



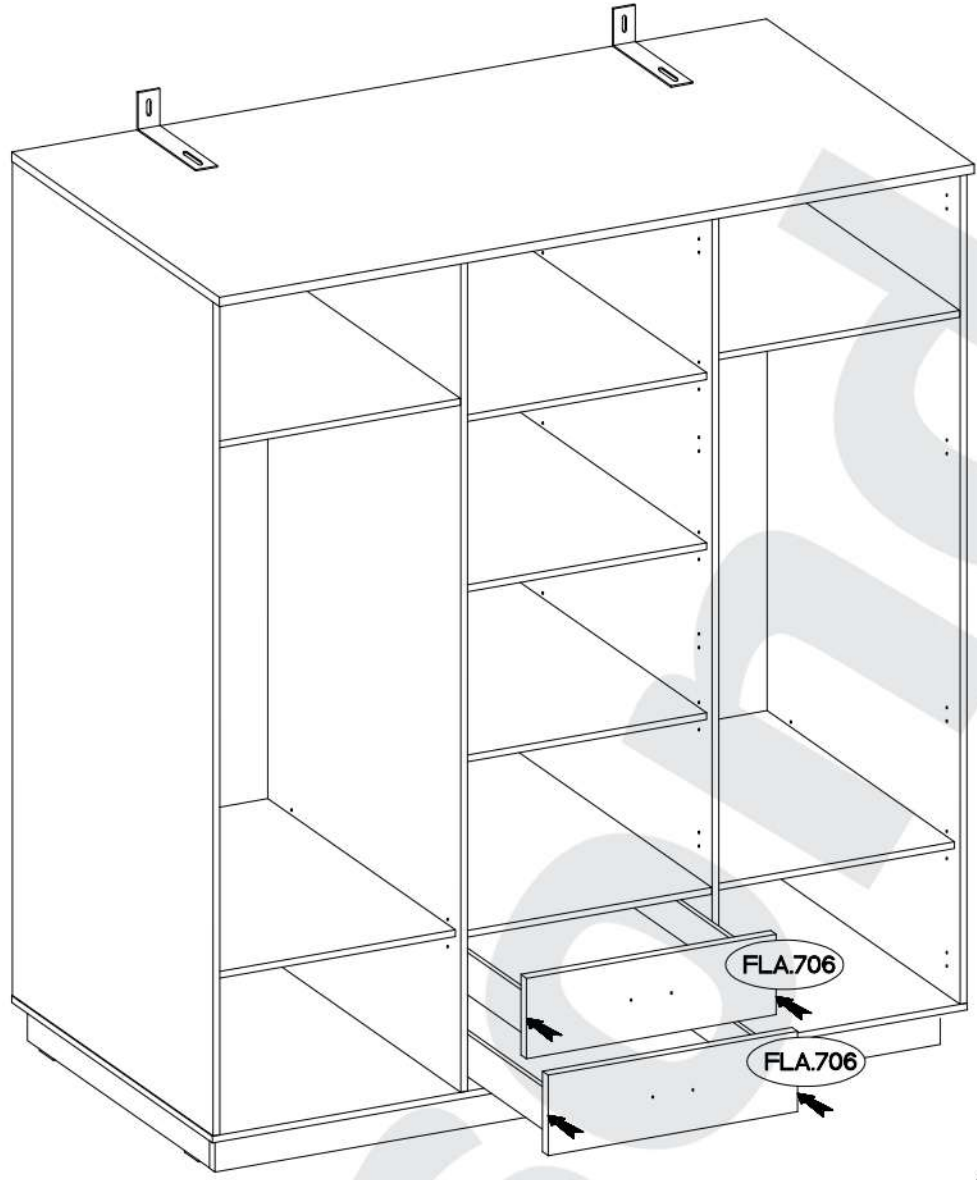
L=570mm  J2 2	 J17 4	3.5x13mm  P5 4	 E 20
--	--	---	---



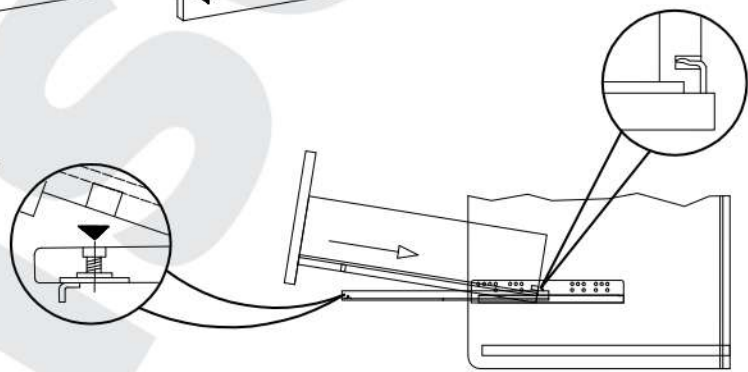
±5/16mm
J3
20



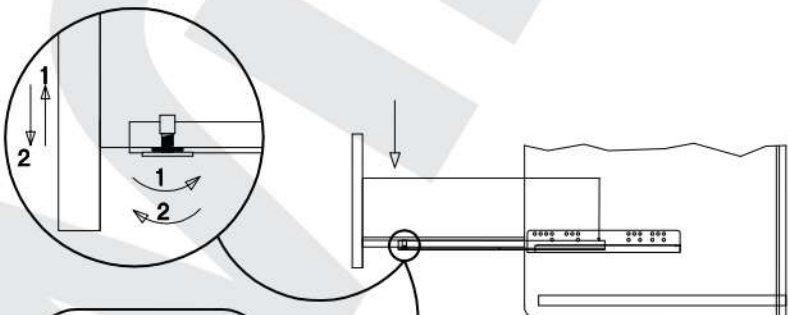
3.0x20mm
P7
6



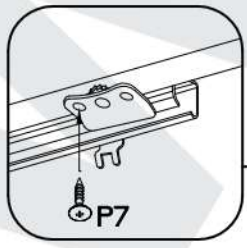
1.

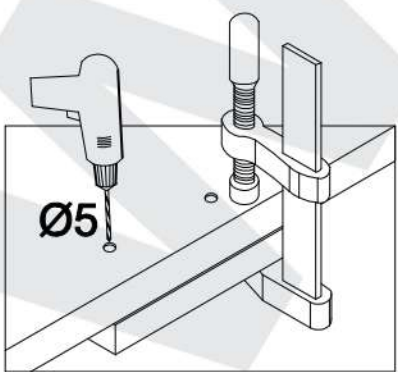
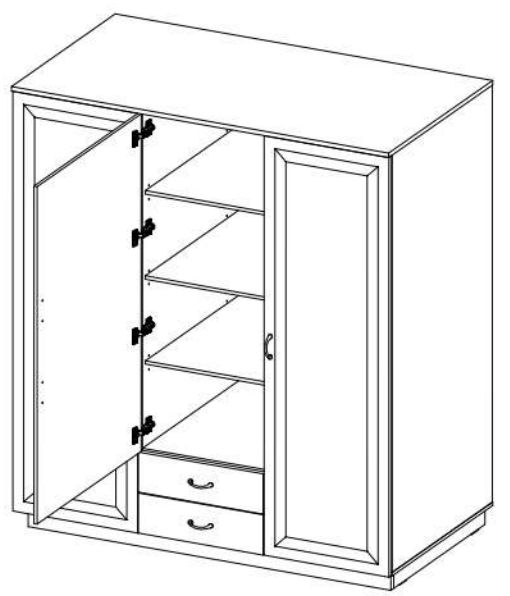
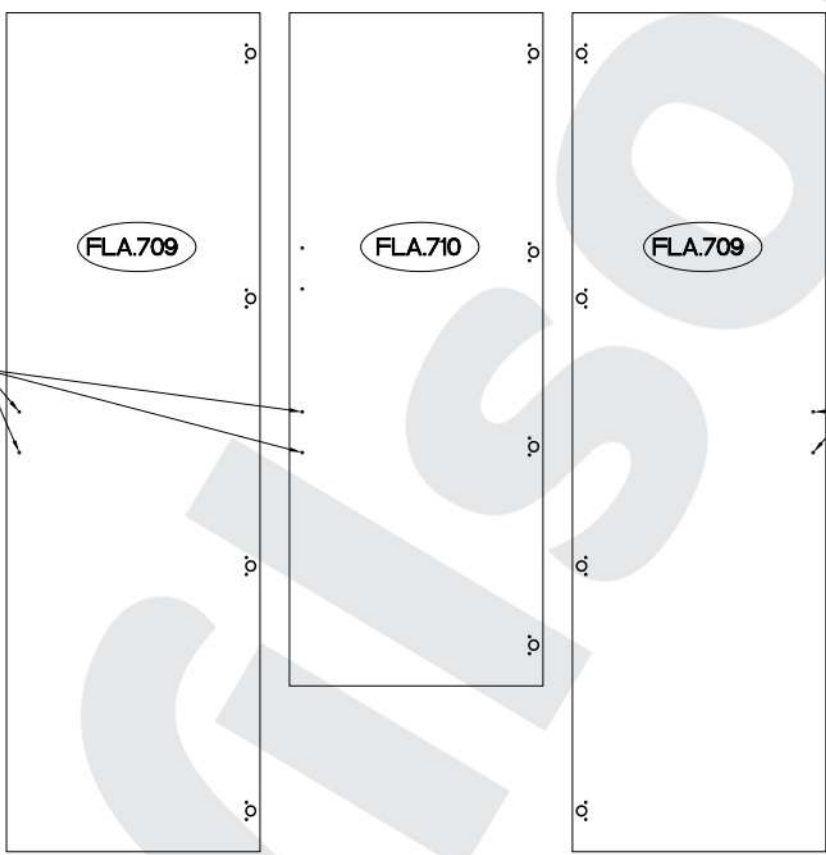
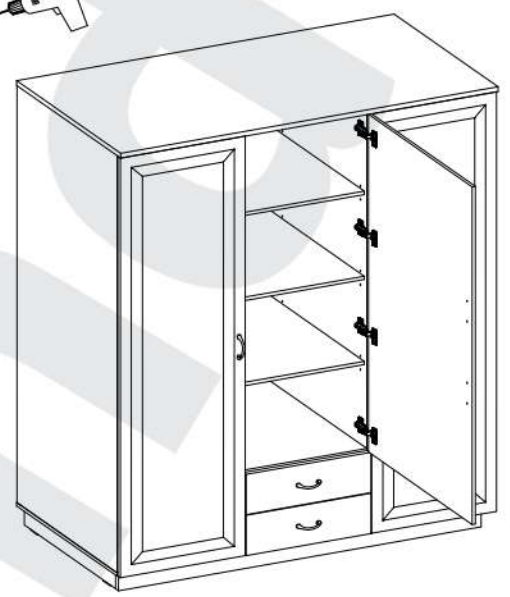
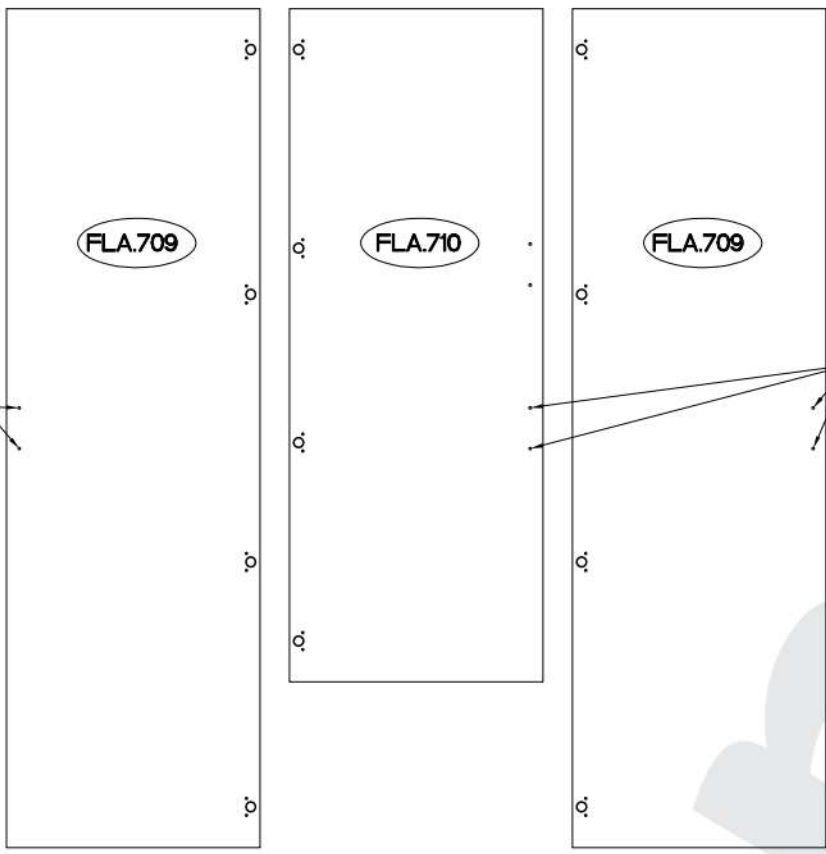





2.

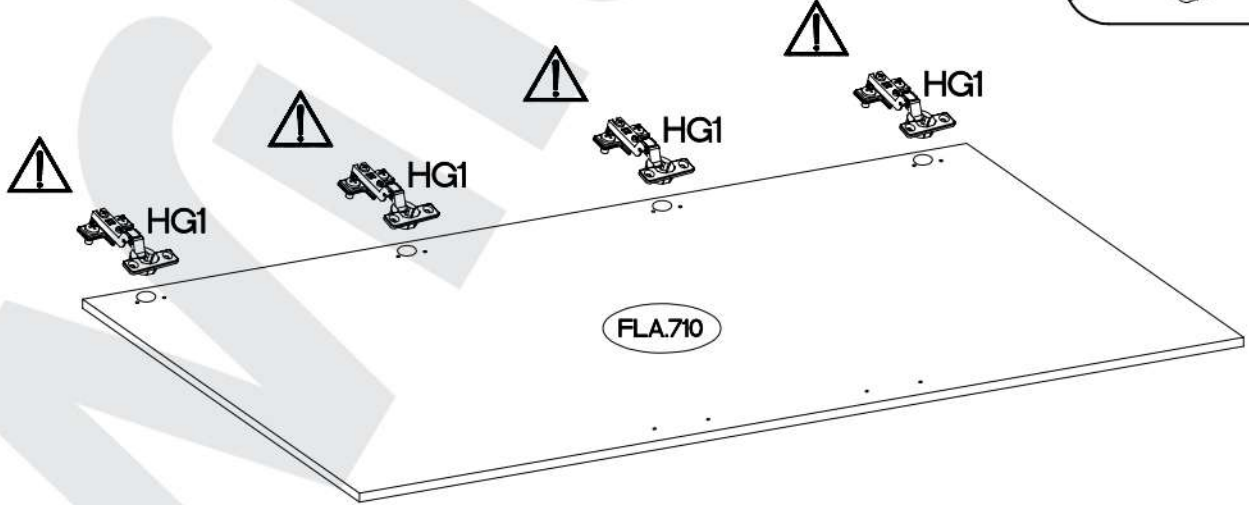
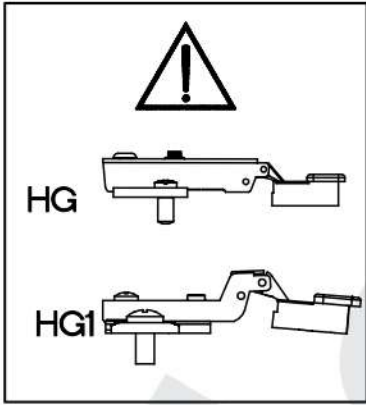
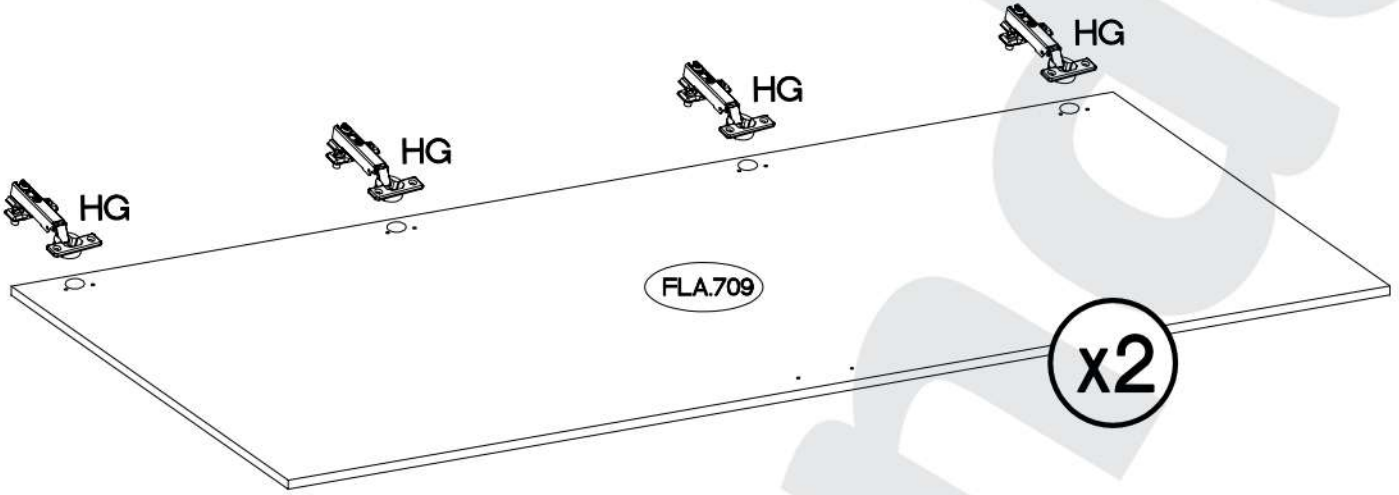
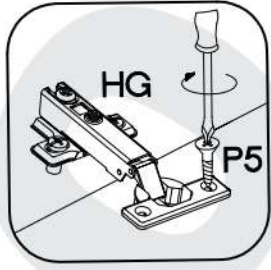




3.

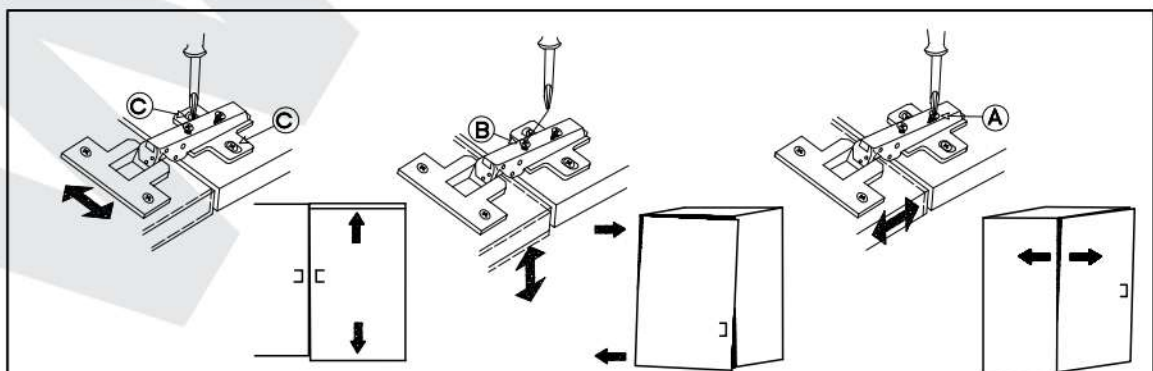
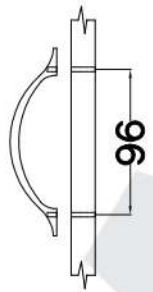
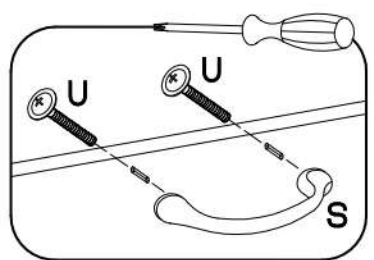
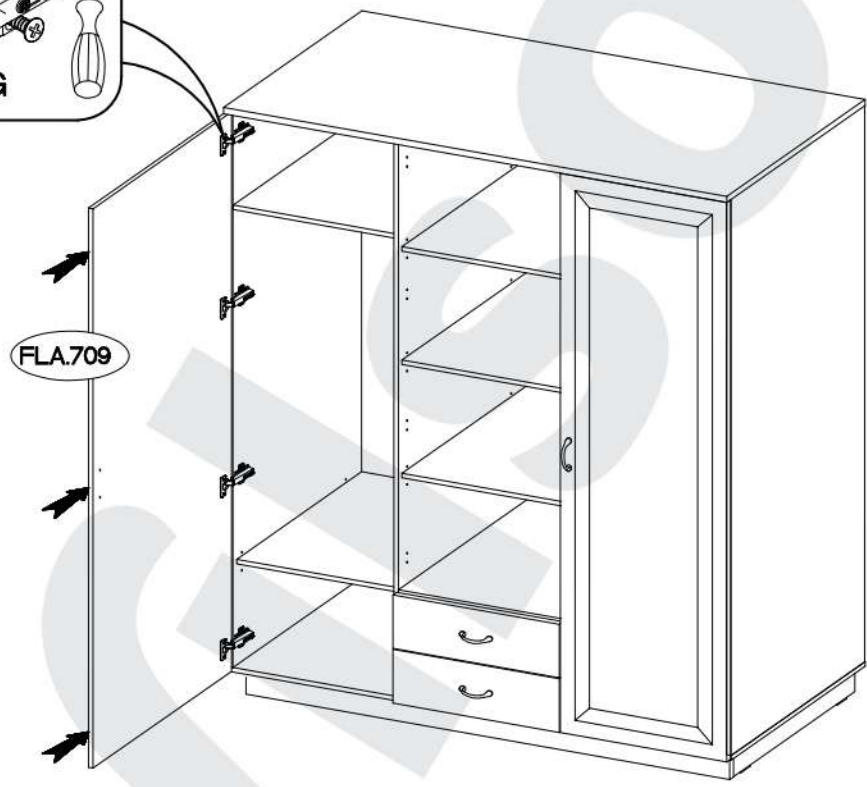
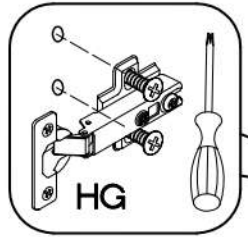
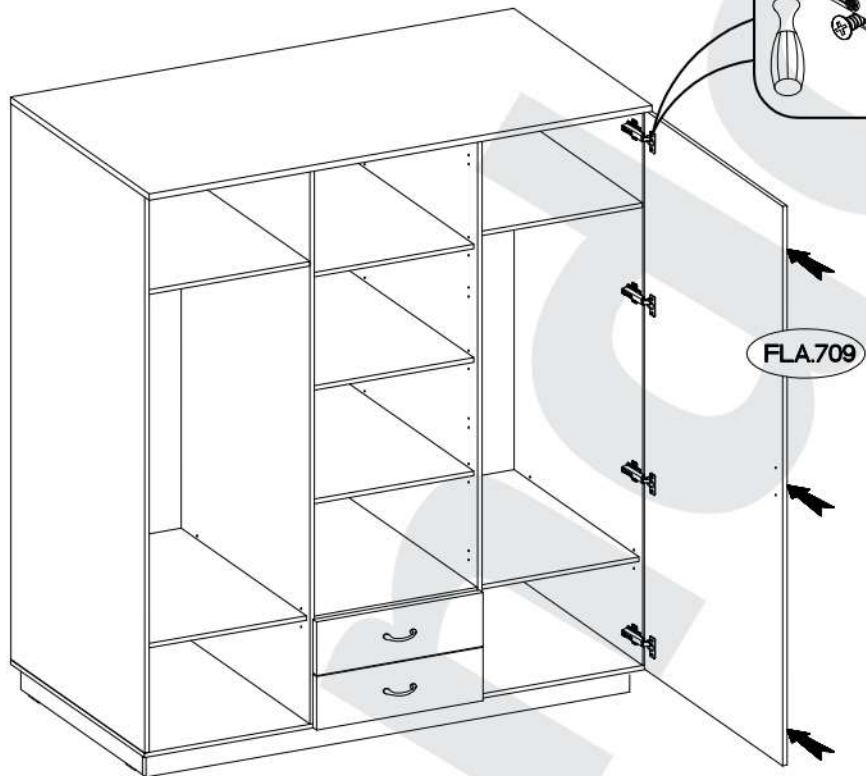
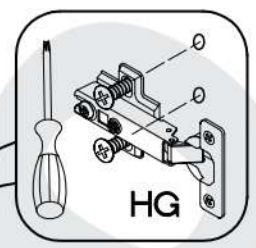






±35/0mm  HG 8	±35/9mm H=0  HG1 4	±3.5x13mm  P5 24
--	--	---



M4x22mm	
	
U	S
8	4



M4x22mm	
	
U	S
2	1

